

Instruction
Bulletin

Boletín de
instrucciones

Directives
d'utilisation



Retain for Future Use.
Conservar para uso futuro.
À conserver pour usage ultérieur.

ALTIVAR[®] 11

Adjustable Speed Drive Controllers User's Guide

Variadores de velocidad ajustable Guía del usuario

Variateurs de vitesse Guide de l'utilisateur



⚠ DANGER**HAZARDOUS VOLTAGE**

- Read and understand this manual before installing or operating the ALTIVAR 11 drive controllers. Installation, adjustment, repair, and maintenance must be performed by qualified personnel.
- The user is responsible for conforming to all applicable code requirements with respect to grounding all equipment.
- Many parts in this drive controller, including printed wiring boards, operate at line voltage. **DO NOT TOUCH.** Use only electrically insulated tools.
- **DO NOT** touch unshielded components or terminal strip screw connections with voltage present.
- **DO NOT** short across terminals PA and PC or across the DC capacitors.
- Install and close all covers before applying power or starting and stopping the drive controller.
- Before servicing the drive controller:
 - Disconnect all power.
 - Place a “DO NOT TURN ON” label on the drive controller disconnect.
 - Lock the disconnect in the open position.
- Disconnect all power including external control power that may be present before servicing the drive controller. **WAIT 15 MINUTES** for the DC bus capacitors to discharge. Then follow the DC bus voltage measurement procedure beginning on page 22 to verify that the DC voltage is less than 45 Vdc. The drive controller LEDs are not accurate indicators of the absence of DC bus voltage.

Failure to follow this instruction will result in death or serious injury.

INTRODUCTION	7
North American (U) Range (ATV11•••••U)	7
European (E) Range (ATV11•••••E)	7
Asian (A) Range (ATV11•••••A)	7
RECEIVING AND PRELIMINARY INSPECTION	8
STORING AND SHIPPING	8
TECHNICAL CHARACTERISTICS	9
DIMENSIONS	16
MOUNTING AND TEMPERATURE CONDITIONS	16
MOUNTING DRIVE CONTROLLERS WITH BASE PLATES	18
MOUNTING THE EMC PLATE	19
MOUNTING IN A TYPE 12 OR IP54 METAL ENCLOSURE	19
Calculating Enclosure Size	19
Ventilation	21
BUS VOLTAGE MEASUREMENT PROCEDURE	22
ELECTRICAL INSTALLATION	22
POWER TERMINALS	24
RECOMMENDED FUSES	26
CONTROL TERMINALS	27
WIRING DIAGRAM	28
EUROPEAN COMMUNITY EMC DIRECTIVE	29
Installation Diagram	29
LOGIC INPUT APPLICATION FUNCTIONS	31
2-Wire Control	31
3-Wire Control	31
Operating Direction (Forward / Reverse)	31
Preset Speeds	32
Fault Reset	32
Second Ramp	32
DO OUTPUT APPLICATION FUNCTIONS	33
Current in the Motor (AO)	33
Motor Frequency (AO)	33
Frequency Threshold Reached (LO)	33
Reference Reached (LO)	33
Current Threshold Reached (LO)	33
DO Output Wiring Diagram	33
Configuration of the Analog Input	34
Wiring Diagram for the Analog Input	34

PROGRAMMING 35

- Precautions 35
- Programming the Drive Controller: E (European) and U (North American)
Ranges 36
 - Programming Example 36
- Programming the Drive Controller: A (Asian) Range 37

ACCESS TO MENUS 38

FIRST LEVEL ADJUSTMENT PARAMETERS 39

drC MOTOR CONTROL MENU 41

FUn APPLICATION FUNCTIONS MENU 43

- Incompatible Application Functions 44
- tCC Menu 45
- rrS, PS2, and rSF Menus 46
- rP2, StP, and brA Menus 48
- AdC and SFt Menus 49
- FLr and dO Menus 51
- Atr, LSr, and nPL Menus 53
- bFr, IPL, SCS, and FCS Menus 55

SUP DISPLAY MENU 56

MAINTENANCE AND TROUBLESHOOTING 57

- Precautions 57
- Routine Maintenance 57
- Fault Detection 57
- Procedure 1: Checking the Supply Voltage 58
- Procedure 2: Checking the Peripheral Equipment 58

FAULT STORAGE 59

LIST OF FAULTS AND CORRECTIVE ACTION 60

- Drive Controller Does Not Start, No Fault Displayed 61

CONFIGURATION AND SETTINGS TABLES 62

INTRODUCTION

The ALTIVAR 11 (ATV11) family of adjustable speed AC drive controllers is used for controlling three-phase asynchronous motors. The controllers range from:

- 0.25 to 3 hp (0.37 to 2.2 kW), 208/230/240 V, single-phase input
- 0.25 to 3 hp (0.37 to 2.2 kW), 208/230/240 V, three-phase input
- 0.25 to 1 hp (0.37 to 0.75 kW), 100/115/120 V, single-phase input

ATV11 controllers have been designed for the global marketplace with three regional adaptations. Each version of the product has the same wiring configuration and functionality. The variations among the regional versions are summarized in the following sections.

North American (U) Range (ATV11•••••U)

- Designed for the North American market.
- Current ratings meet or exceed NEC requirements (see pages 9–11).

European (E) Range (ATV11•••••E)

- Designed for the European market.
- Available only in 230 V single-phase input line voltage.
- Current ratings have been adapted to meet European standards (see pages 9–11).
- Has an integrated EMC filter to meet European CE requirements.

Asian (A) Range (ATV11•••••A)

- Designed for the Asian market.
- Current ratings have been adapted to meet Asian standards (see pages 9–11).
- Speed reference potentiometer and run/stop buttons have been integrated onto the keypad display for local operation (see pages 37, 45, and 54).
- Logic inputs can be configured for negative logic (see page 54).

This instruction bulletin covers the technical characteristics, installation, wiring, programming, and maintenance of all ATV11 drive controllers.

RECEIVING AND PRELIMINARY INSPECTION

Before installing the ATV11 drive controller, read this manual and follow all precautions.

- Before removing the drive controller from its packaging, verify that the carton was not damaged in shipping. Carton damage usually indicates improper handling and the potential for device damage. If any damage is found, notify the carrier and your Square D/Schneider Electric representative.
- After removing the drive controller from its packaging, visually inspect the exterior for shipping damage. If any is found, notify the carrier and your sales representative. Do not install a damaged device.
- Verify that the drive controller nameplate and label conform to the packing slip and corresponding purchase order.

CAUTION

DAMAGED EQUIPMENT

Do not operate or install any drive controller that appears damaged.

Failure to follow this instruction can result in injury or equipment damage.

STORING AND SHIPPING

If the drive controller is not being immediately installed, store it in a clean, dry area with an ambient temperature between -25 and +69 °C (-13 to +156 °F). If the drive controller must be shipped to another location, use the original shipping carton and packing material to protect it.

TECHNICAL CHARACTERISTICS

Table 1: Single-Phase Supply Voltage: 200/240 V -15%, +10%, 50/60 Hz; Three-Phase Output

Motor		Mains		Drive Controller			
Motor Power ¹		Input Line Current ²	Short Circuit Rating	Nominal Current	Max. Transient Current ³	Power Dissipated at Nominal Load	Catalog Number ⁴
kW	hp	A	kA	A	A	W	
North American (U) Range							
0.18	0.25	3.3	1	1.6	2.4	14.5	ATV11HU05M2U
0.37	0.5	6	1	2.4	3.6	23	ATV11•U09M2U
0.75	1	9.9	1	4.6	6.3	43	ATV11•U18M2U
1.5	2	17.1	1	7.5	11.2	77	ATV11HU29M2U
2.2	3	24.1	1	10.6	15	101	ATV11HU41M2U
Asian (A) Range							
0.18	0.25	3.3	1	1.4	2.1	14	ATV11HU05M2A
0.37	0.5	6	1	2.4	3.6	25	ATV11•U09M2A
0.75	1	9.9	1	4	6	40	ATV11•U18M2A
1.5	2	17.1	1	7.5	11.2	78	ATV11HU29M2A
2.2	3	24.1	1	10	15	97	ATV11HU41M2A
European (E) Range							
0.18	0.25	2.9	1	1.1	1.6	12	ATV11HU05M2E
0.37	0.5	5.3	1	2.1	3.1	20.5	ATV11•U09M2E
0.55	0.75	6.3	1	3	4.5	29	ATV11•U12M2E
0.75	1	8.6	1	3.6	5.4	37	ATV11•U18M2E
1.5	2	14.8	1	6.8	10.2	72	ATV11HU29M2E
2.2	3	20.8	1	9.6	14.4	96	ATV11HU41M2E

¹ Power ratings are for a switching frequency of 4 kHz in continuous operation. The switching frequency is adjustable from 2 to 16 Hz. Above 4 kHz, the drive controller will reduce the switching frequency if an excessive temperature rise occurs. The temperature rise is sensed by a PTC probe in the power module. Derate the nominal drive current as follows for continuous operation above 4 kHz: 10% for 8 kHz; 20% for 12 kHz; 30% for 16 kHz.

² Nominal voltage values: 208 V for the North American (U) Range; 200 V for the Asian (A) Range; 230 V for the European (E) Range.

³ For 60 seconds.

⁴ The symbol "•" in a catalog number indicates that the drive controller is available in two versions. For drive controllers with a heatsink, replace the "•" with an "H" (for example, ATV11HU09M2E). For drive controllers with a base plate, replace the "•" with a "P" (for example, ATV11PU09M2E).

Table 2: Three-Phase Supply Voltage: 200/230 V -15%, +15%, 50/60 Hz; Three-Phase Output

Motor		Mains		Drive Controller			
Motor Power ¹		Input Line Current ²	Short Circuit Rating	Nominal Current	Max. Transient Current ³	Power Dissipated at Nominal Load	Catalog Number ⁴
kW	hp	A	kA	A	A	W	

North American (U) Range

0.18	0.25	1.8	5	1.6	2.4	13.5	ATV11HU05M3U
0.37	0.5	3.6	5	2.4	3.6	24	ATV11•U09M3U
0.75	1	6.3	5	4.6	6.3	38	ATV11•U18M3U
1.5	2	11	5	7.5	11.2	75	ATV11HU29M3U
2.2	3	15.2	5	10.6	15	94	ATV11HU41M3U

Asian (A) Range

0.18	0.25	1.8	5	1.4	2.1	13.5	ATV11HU05M3A
0.37	0.5	3.6	5	2.4	3.6	24	ATV11•U09M3A
0.75	1	6.3	5	4	6	38	ATV11•U18M3A
1.5	2	11	5	7.5	11.2	75	ATV11HU29M3A
2.2	3	15.2	5	10	15	94	ATV11HU41M3A

¹ Power ratings are for a switching frequency of 4 kHz in continuous operation. The switching frequency is adjustable from 2 to 16 Hz. Above 4 kHz, the drive controller will reduce the switching frequency if an excessive temperature rise occurs. The temperature rise is sensed by a PTC probe in the power module. Derate the nominal drive current as follows for continuous operation above 4 kHz: 10% for 8 kHz; 20% for 12 kHz; 30% for 16 kHz.

² Nominal voltage values: 208 V for the North American (U) Range; 200 V for the Asian (A) Range.

³ For 60 seconds.

⁴ The symbol "•" in a catalog number indicates that the drive controller is available in two versions. For drive controllers with a heatsink, replace the "•" with an "H" (for example, ATV11HU09M3A). For drive controllers with a base plate, replace the "•" with a "P" (for example, ATV11PU09M3A).

Table 3: Single-Phase Supply Voltage: 100/120 V -15%, +10%, 50/60 Hz; Three-Phase Output

Motor		Mains		Drive Controller			
Motor Power ¹		Input Line Current ²	Short Circuit Rating	Nominal Current	Max. Transient Current ³	Power Dissipated at Nominal Load	Catalog Number ⁴
kW	hp	A	kA	A	A	W	
North American (U) Range							
0.18	0.25	6	1	1.6	2.4	14.5	ATV11HU05F1U
0.37	0.5	9	1	2.4	3.6	23	ATV11*U09F1U
0.75	1	18	1	4.6	6.3	43	ATV11HU18F1U
Asian (A) Range							
0.18	0.25	6	1	1.4	2.1	14	ATV11HU05F1A
0.37	0.5	9	1	2.4	3.6	25	ATV11*U09F1A
0.75	1	18	1	4	6	40	ATV11HU18F1A

¹ Power ratings are for a switching frequency of 4 kHz in continuous operation. The switching frequency is adjustable from 2 to 16 Hz. Above 4 kHz, the drive controller will reduce the switching frequency if an excessive temperature rise occurs. The temperature rise is sensed by a PTC probe in the power module. Derate the nominal drive current as follows for continuous operation above 4 kHz: 10% for 8 kHz; 20% for 12 kHz; 30% for 16 kHz.

² Values for 100 V nominal voltage.

³ For 60 seconds.

⁴ The symbol "*" in a catalog number indicates that the drive controller is available in two versions. For drive controllers with a heatsink, replace the "*" with an "H" (for example, ATV11HU09F1A). For drive controllers with a base plate, replace the "*" with a "P" (for example, ATV11PU09F1A).

Table 4: Minimum Dynamic Braking Resistance Values For Use with External Braking Module VW3A11701

230 V Single-Phase Controllers ATV11.....	PA/PB Minimum Resistance Ω	230 V Three-Phase Controllers ATV11.....	PA/PB Minimum Resistance Ω	115 V Single-Phase Controllers ATV11.....	PA/PB Minimum Resistance Ω
HU05M2U, A, E	75	HU05M3U, A	75	HU05F1U, A	75
HU09M2U, A, E	75	HU09M3U, A	75	HU09F1U, A	75
HU12M2E	75				
HU18M2U, A, E	75	HU18M3U, A	75	HU18F1U, A	75
HU29M2U, A, E	51	HU29M3U, A	51	PU09F1U	75
HU41M2U, A, E	51	HU41M3U, A	51		
PU09M2U	75	PU09M3U	75		
PU18M2U	75	PU18M3U	75		

⚠ WARNING

BRAKING RESISTOR OVERHEATING

- Select the proper braking resistors for the application.
- Provide adequate thermal protection.
- Enclose the braking resistors in an enclosure that is suitable for the environment.

Failure to follow this instruction can result in serious injury or equipment damage.

Table 5: Environmental Specifications

Codes and standards	ATV11 drive controllers have been developed in accordance with IEC and EN, the strictest international standards and recommendations regarding electrical equipment for industrial monitoring; specifically, EN 50178 governing electromagnetic compatibility and conducted and radiated emissions.
Electromagnetic compatibility	<ul style="list-style-type: none"> • IEC/EN 61000-4-2 level 3 • IEC/EN 61000-4-3 level 3 • IEC/EN 61000-4-4 level 4 • IEC/EN 61000-4-5 level 3 (power access) • IEC/EN 61800-3, environments 1 and 2
Conducted and radiated emissions for drive controllers	<p>All ATV11 controllers: IEC/EN 61800-3, environments 2 (industrial network) and 1 (public utility network) in limited distribution.</p> <p>ATV11•U05M2E–U18M2E: EN 55011, EN 55022 Class B, 2: 12 kHz for motor cables ≤ 16 ft. (5 m); and Class A (Group 1), 2: 16 kHz for motor cables ≤ 33 ft. (10 m).</p> <p>ATV11•U29M2E–U41M2E: EN 55011, EN 55022 Class B, 4: 16 kHz for motor cables ≤ 16 ft. (5 m); and Class A (Group 1), 4: 16 kHz for motor cables ≤ 33 ft. (10 m).</p> <p>ATV11HU05M2E–HU41M2E: With additional EMC filter: EN 55011, EN 55022 Class B, 2: 16 kHz for motor cables ≤ 66 ft. (20 m); and Class A (Group 1), 2: 16 kHz for motor cables ≤ 165 ft. (50 m).</p> <p>ATV11HU05••U–HU41••U and ATV11HU05••A–HU41••A: With additional EMC filter: EN 55011, EN 55022 Class B, 2: 16 kHz for motor cables ≤ 16 ft. (5 m); and Class A (Group 1), 2: 16 kHz for motor cables ≤ 66 ft. (20 m).</p>
CE markings	The drive controllers are CE marked on the basis of European directives governing low voltage (73/23/EEC and 93/68/EEC) and EMC (89/336/EEC).
Agency approvals	UL, CSA, NOM, C-TICK, and CUL
Degree of protection	IP20
Vibration resistance ¹	<p>Per IEC/EN 60068-2-6:</p> <ul style="list-style-type: none"> • 1.5 mm peak from 3 to 13 Hz • 1 gn from 13 to 200 Hz
Shock resistance	15 gn for 11 ms per IEC/EN 60068-2-27
Maximum relative humidity	5–93% non-condensing and without dripping, per IEC 60068-2-3
Maximum ambient temperature	<p>Storage: -25 to +69 °C (-13 to +156 °F)</p> <p>Operating: -10 to +50 °C (14 to 122 °F) by removing the protective cover from the top of the drive controller (see page 16). Up to +60 °C, derate the current by 2.2% for every °C above 50 °C.</p>
Maximum altitude	1000 m (3280 ft.) without derating. Above 1000 m, derate the current by 1% for each additional 100 m (328 ft.).

¹ Drive controller without DIN rail option.

Table 6: Drive Characteristics

Output frequency	0–200 Hz
Switching frequency	2–16 kHz
Speed range	1–20
Transient overtorque	150% of rated motor torque
Braking torque	<ul style="list-style-type: none"> • 20% of rated motor torque without no-load braking resistance, with the deceleration ramp adaptation function activated • 80% of rated motor torque with optional no-load braking resistance • Up to 150% of rated motor torque with optional braking resistance on high inertia applications
Maximum transient current	150% of rated drive controller current for 60 seconds
Voltage/frequency ratio	<p>Sensorless flux vector control with pulse width modulation (PWM) type motor control signal.</p> <p>Factory preset for most constant-torque applications.</p>

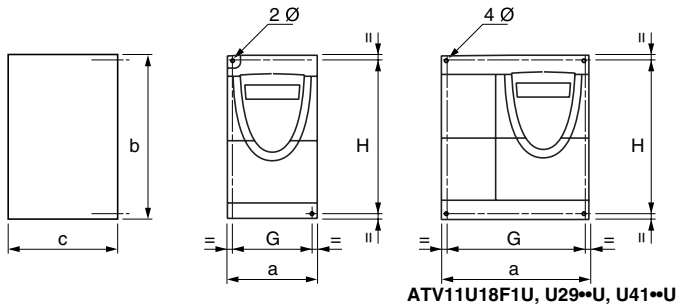
Table 7: Electrical Characteristics

Power supply voltage	<p>ATV11•U•M2: 1-phase, 200 -15% to 240 +10%</p> <p>ATV11•U•M3: 3-phase, 200 -15% to 230 +15%</p> <p>ATV11•U•F1: 1-phase, 100 -15% to 120 +10%</p>
Power supply frequency	50 Hz ±5% or 60 Hz ±5%
Power supply AIC rating	<p>≤ 1000 for 1-phase power supply</p> <p>≤ 5000 for 3-phase power supply</p>
Output voltage	<p>Maximum 3-phase voltage equal to:</p> <ul style="list-style-type: none"> • ATV11•U•M2: the input voltage • ATV11•U•F1: twice the input voltage
Maximum motor cable length	<ul style="list-style-type: none"> • 50 m (164 ft.) for shielded cable • 100 m (328 ft.) for non-shielded cable <p>Verify that the motor is designed for use with AC drive controllers. Cable runs longer than 12.2 m (40 ft.) may require output filters to reduce voltage spikes at the motor terminals.</p>
Galvanic isolation	Galvanic isolation between power and control (inputs, outputs, and power supplies)
Available internal supplies	<p>Protected against short circuits and overloads:</p> <ul style="list-style-type: none"> • + 5 V ±5% for speed reference potentiometer (2.2 to 10 kΩ), max. 10 mA • + 15 V ±15% for control inputs, max. 100 mA
Analog input AI1	<p>1 programmable analog input. Maximum sampling time: 20 ms, resolution 0.4%, linearity ±5%:</p> <ul style="list-style-type: none"> • Voltage: 0–5 V or 0–10 V, impedance 40 kΩ • Current: 0–20 mA or 4–20 mA (without added resistance), impedance 250 Ω

Table 7: Electrical Characteristics (continued)

Logic inputs, LI	<p>4 programmable logic inputs, impedance: 5 kΩ</p> <p>Power supply: internal 15 V or external 24 V (minimum 11 V, maximum 30 V)</p> <p>With multiple assignments, several functions can be combined on a single input (example: LI1 assigned to forward and preset speed 2, LI3 assigned to reverse and preset speed 3).</p> <p>Positive logic: state = 0 if < 5 V, state = 1 if > 11 V. Maximum sampling time: 20 ms.</p> <p>Negative logic: available by programming only in A-range drive controllers.</p> <p>State = 0 if > 11 V or unwired cable input, state = 1 if < 5 V. Maximum sampling time: 20 ms.</p>
Output, DO	<p>Factory setting:</p> <ul style="list-style-type: none"> • Pulse width modulation (PWM) type open collector output at 2 kHz. Can be used on a meter. • Maximum current: 10 mA. • Impedance: 1 kΩ; linearity: ±1%; maximum sampling time: 20 ms. <p>Can be configured as a logic output:</p> <ul style="list-style-type: none"> • Open collector logic output: impedance: 100 Ω, maximum: 50 mA. • Internal voltage: see available internal supplies above. • External voltage: maximum 30 V, 50 mA.
Relay outputs	<p>1 protected relay logic output (contact open if there is a fault). Minimum switching capacity: 10 mA for 24 Vdc. Maximum switching capacity:</p> <ul style="list-style-type: none"> • On resistive load (power factor = 1 and L/R = 0 ms): 5 A for 250 Vac or 30 Vdc • On inductive load (power factor = 0.4 and L/R = 7 ms): 2 A for 250 Vac or 30 Vdc
Drive controller protection	<ul style="list-style-type: none"> • Thermal protection against overheating via a built-in PTC probe in the power module • Short circuit protection between output phases • Overcurrent protection between output and ground phases at power-up only • Network overvoltage and undervoltage protection • Network single-phasing protection, in 3-phase
Motor protection	<p>Thermal protection is integrated in the drive controller by I^2t calculation. Thermal memory is erased at power-up.</p>
Ground insulation resistance	<p>>500 MΩ (galvanic isolation)</p>
Frequency resolution	<ul style="list-style-type: none"> • Display 0.1 Hz • Analog inputs: 0.1 Hz for maximum 200 Hz
Time constant upon a change of setpoint	<p>5 ms</p>

DIMENSIONS



	a		b		c		G		H		Ø		Weight	
	in.	mm	in.	mm	in.	mm	in.	mm	in.	mm	in.	mm	lb	kg
ATV11H*****														
U05**U, E, A					4.0	101					2 x 0.2	2 x 5	2.0	0.9
U09**U, A	2.9	72	5.7	142	5.0	125	2.4	60	5.2	131	2 x 0.2	2 x 5	2.2	1.0
U09**E					5.0	125							2.2	1.0
U012**E													2.4	1.1
U18M*U, E, A	2.9	72	5.9	147	5.5	138	2.4	60	5.2	131	2 x 0.2	2 x 5	2.4	1.1
U18F1U, A														
U29**U, E, A	4.7	117	5.7	142	6.2	156	4.2	106	5.2	131	4 x 0.2	4 x 5	4.0	1.8
U41**U, E, A														
ATV11P														
All ratings	2.9	72	5.7	142	4.0	101	2.4	60	5.2	131	2 x 0.2	2 x 5	2.0	0.9

MOUNTING AND TEMPERATURE CONDITIONS

⚠ DANGER

HAZARDOUS VOLTAGE

Before working on this equipment:

- Disconnect all power.
- Place a "DO NOT TURN ON" label on the drive controller disconnect.
- Lock the disconnect in the open position.

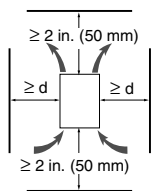
Failure to follow this instruction will result in death or serious injury.

Install the drive controller vertically $\pm 10^\circ$ with the output power terminals at the bottom.

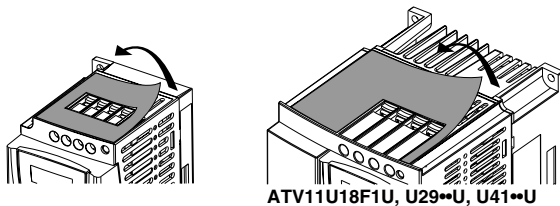
Do not place the drive controller close to heating sources.

Leave sufficient free space around the drive controller to ensure that air can circulate from the bottom to the top of the unit.

Leave a minimum of 0.4 in. (10 mm) of free space in front of the drive controller.



14 to 104 °F (-10 to 40 °C):	<ul style="list-style-type: none"> • $d \geq 2$ in. (50 mm): no special precautions. • $d = 0$ (side-by-side controllers): remove the protective cover as shown in the figure below.
104 to 122 °F (40 to 50 °C):	<ul style="list-style-type: none"> • $d \geq 2$ in. (50 mm): remove the protective cover as shown below.
122 to 140 °F (50 to 60 °C):	<ul style="list-style-type: none"> • $d \geq 2$ in. (50 mm): remove the protective cover as shown below and derate the drive nominal current by 2.2% for every °C above 50°C.



NOTE: Monitor the *tHd* parameter (in the SUP menu) during normal operation to verify the drive controller thermal state.

The following drive controllers include a fan. The fan automatically turns on when the drive controller is powered up.

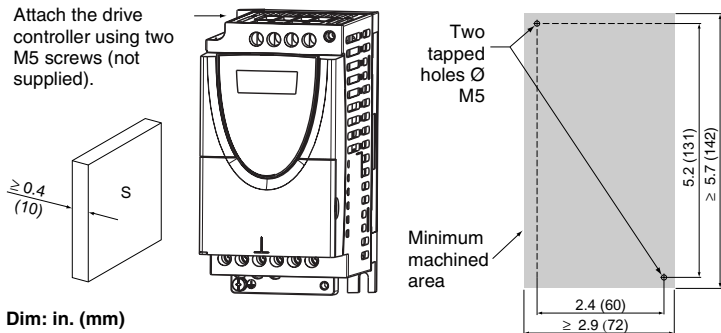
- ATV11HU18F1A
- ATV11HU18F1U
- ATV11•U18M2U
- ATV11•U18M3U
- ATV11HU29***
- ATV11HU41***

MOUNTING DRIVE CONTROLLERS WITH BASE PLATES

ATV11P drive controllers can be mounted on a steel or aluminum machined surface, provided that:

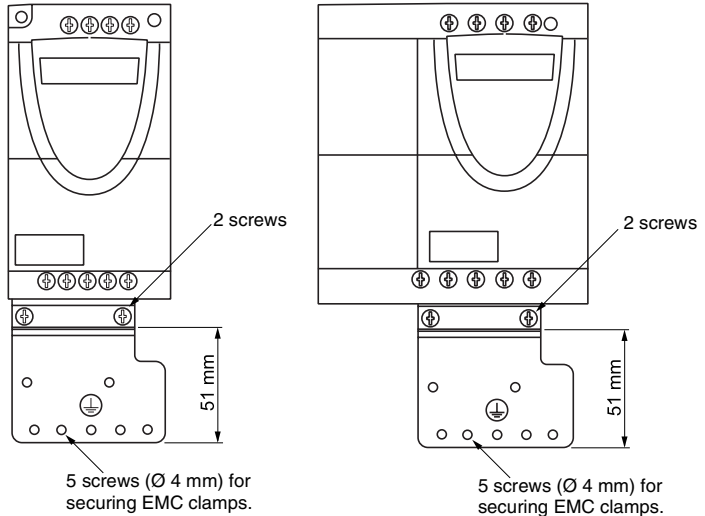
- The maximum ambient temperature is 40 °C (104 °F).
- The drive controller is mounted vertically $\pm 10^\circ$.
- The drive controller is mounted at the center of a surface exposed to open air, with a minimum thickness of 0.4 in. (10 mm) and with a minimum square cooling area (S) of 1.3 ft² (0.12 m²) for steel and 1 ft² (0.09 m²) for aluminum.
- The surface support area for the drive controller is a minimum of 5.6 x 2.9 in. (142 x 72 mm) with a machined surface smoothness of 100 μm and a roughness of 3.2 μm maximum.
- The tapped holes are milled lightly to remove any burrs.
- The whole support surface of the drive controller is coated with thermal contact grease.

NOTE: Monitor the tHd parameter (in the SUP menu) during normal operation to verify the drive controller thermal state.



MOUNTING THE EMC PLATE

An EMC plate, VW3A11831 (ordered separately), is available for ATV11 drive controllers. To mount the EMC plate, align it with the holes in the drive controller heatsink and secure it with the two screws provided, as shown in the figures below. See pages 29–30 for wiring instructions.



ATV11U18F1U, U29**U, U41**U

MOUNTING IN A TYPE 12 OR IP54 METAL ENCLOSURE

Calculating Enclosure Size

The equation for calculating the maximum allowable thermal resistance of the enclosure, R_{th} ($^{\circ}\text{C}/\text{W}$), is as follows:

$$R_{th} = \frac{T_i - T_o}{P}$$

T_i = Max. internal ambient temp. ($^{\circ}\text{C}$) around the controller
 T_o = Max. external ambient temp. ($^{\circ}\text{C}$) around enclosure
 P = Total power dissipated in enclosure (W)

For the power dissipated by the drive controllers at rated load, see Tables 1–3 on pages 9–11.

The useful heat exchange surface area, S (in²), of a wall-mounted enclosure generally consists of the sides, top, and front. The minimum surface area required for a drive controller enclosure is calculated as follows:

$$S = \frac{K}{R_{th}} \quad \begin{array}{l} R_{th} = \text{Thermal resistance of the enclosure (calculated above)} \\ K = \text{Thermal resistance per square inch of the enclosure} \end{array}$$

NOTE: Contact the enclosure manufacturer for K factors.

Consider the following points when sizing the enclosure:

- Use only metallic enclosures, since they have good thermal conduction.
- This procedure does not consider radiant or convected heat load from external sources. Do not install enclosures where external heat sources (such as direct sunlight) can add to the enclosure heat load.
- If additional devices are present inside the enclosure, consider the heat load of the devices in the calculation.
- The actual useful area for convection cooling of the enclosure varies depending upon the mounting method. The mounting method must allow for free air movement over all surfaces considered for convection cooling.

The following sample illustrates calculation of the enclosure size for an ATV11HU18M3U drive controller mounted in a Type 12 or IP54 enclosure.

- Maximum external temperature: $T_o = 25\text{ }^\circ\text{C}$ (77 °F)
- Power dissipated inside the enclosure: $P = 38\text{ W}$
- Maximum internal temperature: $T_i = 40\text{ }^\circ\text{C}$ (104 °F)
- Thermal resistance per square inch of the enclosure: $K = 186$

Calculate the maximum allowable thermal resistance, R_{th} :

$$R_{th} = \frac{40\text{ }^\circ\text{C} - 25\text{ }^\circ\text{C}}{38\text{ W}} = 0.395\text{ }^\circ\text{C/W}$$

Calculate the minimum useful heat exchange surface area, S :

$$S = \frac{186}{0.395} = 470.9\text{ in}^2$$

Useful heat exchange surface area (S) of the proposed wall-mounted enclosure:

- Height: 28 in. (711 mm)
- Width: 24 in. (610 mm)
- Depth: 12 in (305 mm)

$$S = \begin{array}{ccc} \text{front area} & \text{top area} & \text{side area} \\ \downarrow & \downarrow & \downarrow \\ (24 \times 28) & + (24 \times 12) & + 2(28 \times 12) = 1632 \text{ in}^2 \end{array}$$

If the selected enclosure does not provide the required surface area or does not meet application needs, consider the following:

- Use a larger enclosure.
- Add a passive heat exchanger to the enclosure.
- Add an air conditioning unit to the enclosure.

Ventilation

When mounting the drive controller inside a Type 12 or IP54 enclosure:

- Mount the drive controller with the minimum clearances specified in "Mounting and Temperature Conditions" on page 16.
- Follow the installation precautions on page 22.
- A stirring fan may be necessary to circulate the air inside the enclosure to prevent hot spots in the drive controller and to distribute the heat uniformly to surfaces used for convection cooling.

⚠ CAUTION

CONDENSATION

Where condensation is possible, keep the drive controller powered up when the motor is not running, or install thermostatically controlled strip heaters.

Failure to follow this instruction can result in injury or equipment damage.

BUS VOLTAGE MEASUREMENT PROCEDURE

DANGER

HAZARDOUS VOLTAGE

Read and understand the precautions on page 4 before performing this procedure.

Failure to follow this instruction will result in death or serious injury.

The bus voltage can exceed 400 Vdc. Use appropriately rated measuring equipment when performing this procedure. To measure the bus capacitor voltage:

1. Disconnect all power from the drive controller.
2. Wait 15 minutes to allow the DC bus to discharge.
3. Measure the DC bus voltage between the PA (+) and PC (–) terminals to verify that the DC voltage is less than 45 Vdc. Refer to “Power Terminals” on page 24 for the location of the terminals.
4. If the bus capacitors are not fully discharged, contact your local Square D/Schneider Electric representative—do not operate the drive controller.

ELECTRICAL INSTALLATION

Ensure that the electrical installation of this drive controller conforms to the appropriate national and local codes.

- Verify that the voltage and frequency of the input supply line and the voltage, frequency, and current of the motor match the rating on the drive controller nameplate.

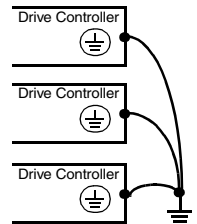
DANGER

HAZARDOUS VOLTAGE

Ground equipment using the provided ground connecting point as shown in the figure below. The drive controller panel must be properly grounded before power is applied.

Failure to follow this instruction will result in death or serious injury.

- Verify that resistance to ground is 1Ω or less. Ground multiple controllers as shown in the figure. Do not loop the ground cables or connect them in series.



⚠ WARNING

INADEQUATE OVERCURRENT PROTECTION

- Overcurrent protective devices must be properly coordinated.
- The National Electrical Code requires branch circuit protection. Use the fuses recommended on the drive controller nameplate to achieve published fault withstand current ratings.
- Do not connect the drive controller to a power feeder whose short circuit capacity exceeds the drive controller withstand fault rating listed on the drive controller nameplate.

Failure to follow these instructions can result in death, serious injury, or equipment damage.

- Provide overcurrent protection. To achieve the fault-withstand current rating listed on the drive controller nameplate, install the line power fuses recommended on the drive controller nameplate.

⚠ WARNING

IMPROPER WIRING CONNECTIONS

- Do not apply input line voltage to the output terminals (U, V, W). This will damage the drive controller.
- Check the power connections before energizing the drive controller.
- If replacing another drive controller, verify that all wiring connections to the ATV11 drive controller comply with all wiring instructions in this manual.

Failure to follow these instructions can result in death, serious injury, or equipment damage.

- Do not use mineral-impregnated cables. Select motor cabling with low phase-to-phase and phase-to-ground capacitance.
- Motor cables must be at least 20 in. (0.5 m) long.
- Do not run control, power, or motor wiring in the same conduit. Do not run motor wiring from different drive controllers in the same conduit. Separate metallic conduit carrying power wiring from metallic conduit carrying control wiring by at least 3 in. (8 cm). Separate non-metallic conduits or cable trays used to carry power wiring from metallic conduit carrying control wiring by at least 12 in. (31 cm). Always cross power and control wiring at right angles.
- Do not immerse motor cables in water.
- Do not use lightning arrestors or power factor correction capacitors on the output of the drive controller.
- Equip all inductive circuits near the drive controller (such as relays, contactors, and solenoid valves) with electrical noise suppressors, or connect them to a separate circuit.

POWER TERMINALS

You can access the power terminals without opening the cover. The drive controller has through wiring—the line supply is at the top of the drive controller (R/L1–S/L2 in single-phase 230 V; R/L1–S/L2–T/L3 in three-phase 230 V; R/L1–N in single-phase 120 V) and the motor power supply is at the bottom (U–V–W).

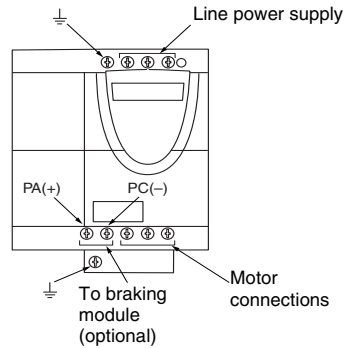
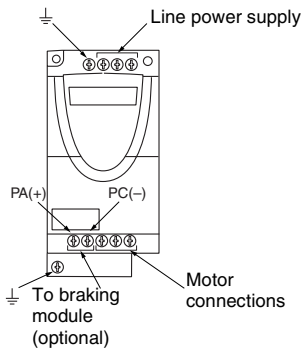
NOTE: Connect the power terminals before connecting the control terminals.

Table 8: Power Terminal Specifications

ATV11.....	Maximum Connection Capacity		Tightening Torque	
	AWG	mm ²	lb-in	N•m
U05... U09... U18M..	AWG 14	1.5	6.6	0.75
U18F1• U29... U41...	AWG 10	4	8.9	1

Table 9: Power Terminal Functions

Terminals	Function	For ATV11
⏏	Ground terminal	All ratings
R/L1 S/L2	Power supply	ATV11••••M2•
R/L1 S/L2 T/L3		ATV11••••M3•
R/L1 N		ATV11••••F1•
PA/+		+ Output (DC) to the braking module
PC/-	- Output (DC) to the braking module	All ratings
U V W	Outputs to the motor	All ratings
⏏	Ground terminal	All ratings



ATV11U18F1U, U29••U, U41••U

RECOMMENDED FUSES

Table 10: Recommended Fuses for 230 V Single-Phase Controllers

Motor		Drive Controller ATV11H••••••	600 V Fuses	
kW	hp		Class CC	Class J ^[1]
0.18	0.25	HU05M2U, E, A	4	4
0.37	0.50	HU09M2U, E, A	8	8
0.55	0.75	HU12M2E	8	8
0.75	1	HU18M2U, E, A	12	12
1.50	2	HU29M2U, E, A	22	22
2.20	3	HU41M2U, E, A	30	30
0.37	0.5	PU09M2U, E, A	8	8
0.75	1	PU18M2U, E, A	12	12

[1] Use either fast acting or time delay Class J fuses.

Table 11: Recommended Fuses for 230 V Three-Phase Controllers

Motor		Drive Controller ATV11H••••••	600 V Fuses	
kW	hp		Class CC	Class J ^[1]
0.18	0.25	HU05M3U, A	3	3
0.37	0.50	HU09M3U, A	5	5
0.75	1	HU18M3U, A	8	8
1.50	2	HU29M3U, A	15	15
2.20	3	HU41M3U, A	20	20
0.37	0.5	PU09M3U, A	5	5
0.75	1	PU18M3U, A	8	8

[1] Use either fast acting or time delay Class J fuses.

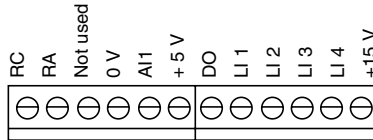
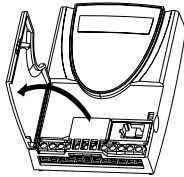
Table 12: Recommended Fuses for 115 V Single-Phase Controllers

Motor		Drive Controller ATV11H••••••	600 V Fuses	
kW	hp		Class CC	Class J ^[1]
0.18	0.25	HU05F1U, A	8	8
0.37	0.50	HU09F1U, A	12	12
0.75	1	HU18F1U, A	22	22
0.37	0.5	PU09F1U, A	12	12

[1] Use either fast acting or time delay Class J fuses.

CONTROL TERMINALS

Open the cover as shown below to access the control terminals.

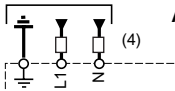


Maximum wire gauge: AWG 16
(1.5 mm²)
Maximum tightening torque:
4.4 lb-in (0.5 N•m).

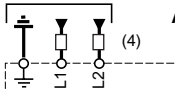
Terminal	Function	Electrical Characteristics
RC RA	Fault relay contact (open if there is a fault or the drive controller is off)	Min. switching capacity: 10 mA for 24 Vdc Max. switching capacity: • 2 A for 250 Vac and 30 Vdc on inductive load Time constant = 0.4 – (inductance/resistance) = 7 ms • 5 A for 250 Vac and 30 Vdc on resistive load Time constant = 1 – (inductance/resistance) = 0
0 V	Common for logic inputs/outputs	0 V
AI1	Voltage or current analog input	Analog input 0–5 V or 0–10 V (30 V maximum): • Impedance: 40 kΩ • Resolution: 0.4% • Precision, linearity: ± 5% • Sampling time: 20 ms max. Analog input 0–20 mA or 4–20 mA: • Impedance: 250 Ω (with no external resistor) • Resolution: 0.4% • Precision, linearity: ± 5% • Sampling time: 20 ms max.
+5 V	Power supply for reference potentiometer: 2.2 to 10 kΩ	• Precision: 0–5% • Max. current available: 10 mA
DO	Output (can be configured as analog or logic output)	Analog output • PWM open collector analog output at 2 kHz • Voltage: 30 V max. • Impedance: 1 kΩ, 10 mA max. • Linearity: ± 1% • Sampling time: 20 ms max. Logic output open collector • Voltage: 30 V max. • Impedance: 100 Ω, 50 mA max. • Sampling time: 20 ms max.
LI1 LI2 LI3 LI4	Programmable logic inputs	• Power supply + 15 V (max. 30 V) • Impedance 5 kΩ • Positive logic: state 0 if < 5 V, state 1 if > 11 V • Negative logic: state 1 if < 5 V, state 0 if > 11 V or switched off (A range only) • Sampling time: 20 ms max.
+15 V	Logic input power supply	+15 V, ±15% (protected against short circuits and overloads) Maximum current available: 100 mA

WIRING DIAGRAM

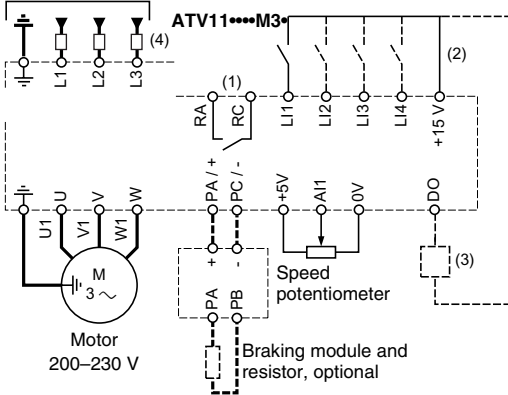
Single phase line supply 100–120 V



Single phase line supply 200–230 V



3-phase line supply 200–240 V



NOTE: The line supply terminals are shown at the top and the motor terminals are shown at the bottom. Connect the power terminals before connecting the control terminals. Install surge suppressors on all inductive circuits located near the drive controller or coupled to the same circuit.

- (1) Fault relay contacts for remote indication of drive controller status.
- (2) Internal + 15 V. If an external source is used (30 V max.), connect the 0 V of the source to the 0 V terminal, and do not use the + 15 V terminal on the drive controller.
- (3) Meter or low level relay.
- (4) Refer to the drive controller nameplate for recommended fuses. Fast acting or time delay Class J fuses can be used.

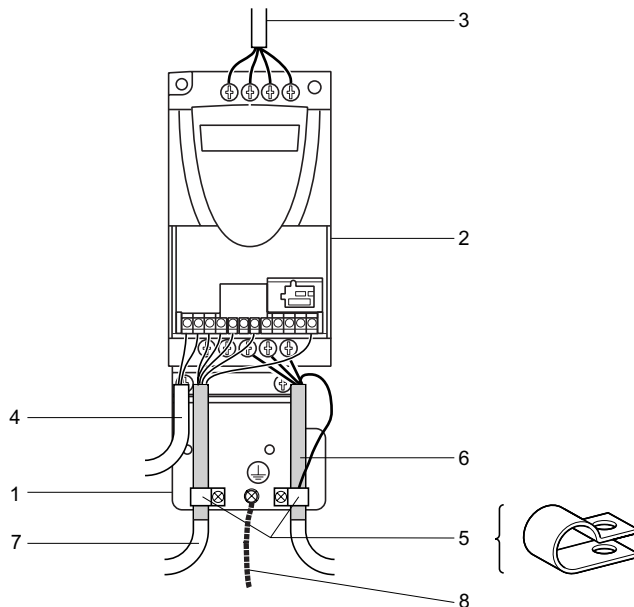
EUROPEAN COMMUNITY EMC DIRECTIVE

The ATV11 controller is considered to be a component. It is neither a machine nor a piece of equipment ready for use in accordance with the European Community EMC directive (machinery directive or electromagnetic compatibility directive). It is the user's responsibility to ensure that the machine meets these standards.

To meet EN55011 Class A requirements, follow these installation recommendations:

- Ensure that the ground connections of the drive controller, the motor, and the cable shields are at equal potential.
- Use shielded cables with the shields connected to ground at both ends of the motor cable, control cables, and the braking resistor (if used). Conduit can be used for part of the shielding length, provided that there is no break in continuity.
- Ensure maximum separation between the power supply cable (line supply) and the motor cable.

Installation Diagram



The following table describes the parts shown in the installation diagram on page 29.

Item	Description
1	EMC mounting plate, ordered separately (catalog number VW3A11831).
2	ALTIVAR 11 drive controller.
3	Non-shielded power supply wires or cables.
4	Non-shielded wires for the output of the safety relay contacts.
5	The shields for the motor connection and the connection to control devices (items 6 and 7) must be securely attached to the EMC mounting plate with stainless steel clamps (item 5). Strip the cables to expose the shields. Apply appropriately sized clamps around the stripped portion of the cables and fasten them to the EMC plate.
6	Shielded cable for connection to the motor, with shielding connected to ground at both ends. Do not interrupt the shielding. If using intermediate terminal blocks, they must be in EMC-shielded metal boxes.
7	Shielded cable for connection to control/command devices. For applications which require a large number of conductors, use small cross-sections (0.5 mm ²). Do not interrupt the shielding. If intermediate terminal blocks are used, they must be in EMC-shielded metal boxes.
8	Ground conductor (cross section 10 mm ²).

NOTE: If using an additional input filter, mount it on the drive controller and connect it directly to the line supply with an unshielded cable. Then connect the power supply wiring (item 3) to the drive controller using the filter output cable. Although there is an HF equipotential ground connection between the drive controller, the motor, and the cable shielding, you must still connect the PE protective conductors (green-yellow) to the appropriate terminals on each of the devices.

NOTE: For very long cable runs, you may need to disconnect the shield at the motor end to alleviate noise generation.

LOGIC INPUT APPLICATION FUNCTIONS

Each of the following functions can be assigned to one of the logic inputs. A single logic input can activate several functions at the same time (reverse and 2nd ramp, for example). You must therefore ensure that these functions are compatible.

2-Wire Control

To select two-wire control, in the FUn menu, set the ACt function of tCC to 2C. The same logic input controls both run (forward or reverse) and stop.

There are three types of 2-wire control:

1. tCt = LEL: state 0 or 1 is taken into account for run or stop.
2. tCt = trn: a change of state (transition or edge) must occur to initiate operation, in order to prevent accidental restarts after a power supply interruption.
3. tCt = PFO: state 0 or 1 is taken into account for run or stop, but the forward input always takes priority over the reverse input.

3-Wire Control

To select three-wire control, in the FUn menu, set the ACt function of tCC to 3C. Run (forward or reverse) and stop are controlled by 2 different logic inputs. LI1 is always assigned to the stop function. A stop on ramp is obtained on opening (state 0). The pulse on the run input is stored until the stop input opens. When the drive controller is powered up, upon a manual fault reset, or after a stop command, the motor can only be supplied with power once the forward and reverse commands have been reset.

Operating Direction (Forward / Reverse)

With 2-wire control, forward operation must be assigned to LI1. It cannot be reassigned to any other logic input. With 3-wire control, forward operation must be assigned to LI2 and cannot be reassigned to any other logic input.

To disable reverse operation for applications with a single direction of motor rotation, do not assign any logic input to reverse operation (in the FUn menu, set rrS to nO).

Preset Speeds

You can assign two or four preset speeds, requiring one or two logic inputs respectively.

Assign Llx to LIA first, then assign Lly to Lib. Consult the following table.

2 Preset Speeds		4 Preset Speeds		
Assign: Llx to LIA		Assign Llx to LIA, then Lly to Lib		
Llx	Speed Reference	Lly	Llx	Speed Reference
0	Reference (min. = LSP)	0	0	Reference (Min. = LSP)
1	SP2	0	1	SP2
		2	0	SP3
		1	1	SP4

The preset speeds take priority over the reference given by the analog input or by the potentiometer (on A range controllers only).

Fault Reset

A change in state from 0 to 1 of the logic input assigned to fault reset clears the stored fault and resets the drive controller if the cause of the fault is removed. The exceptions are the OCF (overcurrent), SCF (motor short circuit), and InF (internal fault) faults, which require removal of power from the drive controller.

Second Ramp

This function allows switching between the primary (ACC, DEC) and the secondary (AC2, DE2) acceleration and deceleration ramps by activating a logic input assigned to the ramp switching function (rP2).

DO OUTPUT APPLICATION FUNCTIONS

You can use the DO output as an analog output (AO) or a logic output (LO) depending on the function chosen:

Current in the Motor (AO)

The full signal corresponds to 200% of the nominal drive current.

Motor Frequency (AO)

The full signal corresponds to 100% HSP.

Frequency Threshold Reached (LO)

Output energized if the motor frequency exceeds an adjustable threshold.

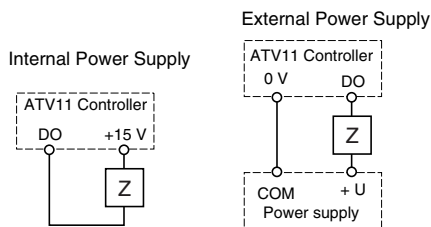
Reference Reached (LO)

Output energized if the motor frequency reaches the reference.

Current Threshold Reached (LO)

Output energized if the motor current exceeds the adjustable threshold.

DO Output Wiring Diagram



If a logic output is assigned, Z is an external device such as a low-voltage relay. If an analog output is assigned, Z is an external device such as a meter.

For the resistance of a meter (R), the maximum voltage (V_Z) delivered is:

$$V_Z = V_S \times \frac{R(\Omega)}{R(\Omega) + 1000(\Omega)}$$

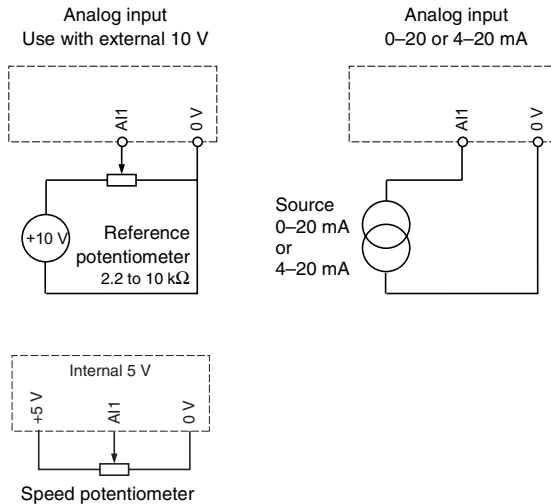
The voltage source (V_S) is the 15 V internal supply or an external source of 30 V maximum.

Configuration of the Analog Input

Configure the analog input as one of the following:

- 0–5 V
- 0–10 V
- 0–20 mA
- 4–20 mA

Wiring Diagram for the Analog Input



PROGRAMMING

Precautions

DANGER

UNINTENDED EQUIPMENT OPERATION

- Before powering up and configuring the drive controller, ensure that the logic inputs are open (state 0) to prevent an accidental startup. Otherwise, an input assigned to the run command may cause the motor to start immediately on exiting the configuration menus.
- Ensure that changes to the current operating settings do not present any danger. Changes must be made with the drive controller stopped.

Failure to follow these instructions will result in death or serious injury.

CAUTION

RAPID CONTACTOR CYCLING

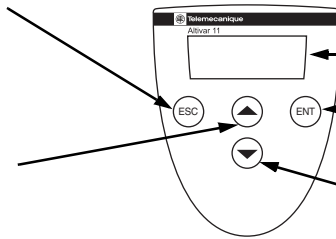
- With power switching via a line contactor, avoid operating the contactor frequently. Use inputs LI1 to LI4 to control the drive controller.
- These instructions are vital for cycles of less than five minutes to avoid damaging the precharge resistor and capacitors.

Failure to follow these instructions can result in equipment damage.

Programming the Drive Controller: E (European) and U (North American) Ranges

Exits a menu or parameter, or aborts the displayed value and returns to the previous value in the memory

Returns to the previous menu or parameter, or increases the displayed value



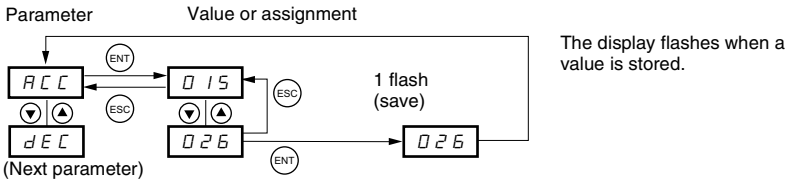
Three 7-segment displays

Enters a menu or parameter, or saves the displayed parameter or value

Goes to the next menu or parameter, or decreases the displayed value

- To save the displayed choice, press **ENT**.
- Pressing **▲** or **▼** does not save the choice.
- The display flashes when a value is stored.

Programming Example

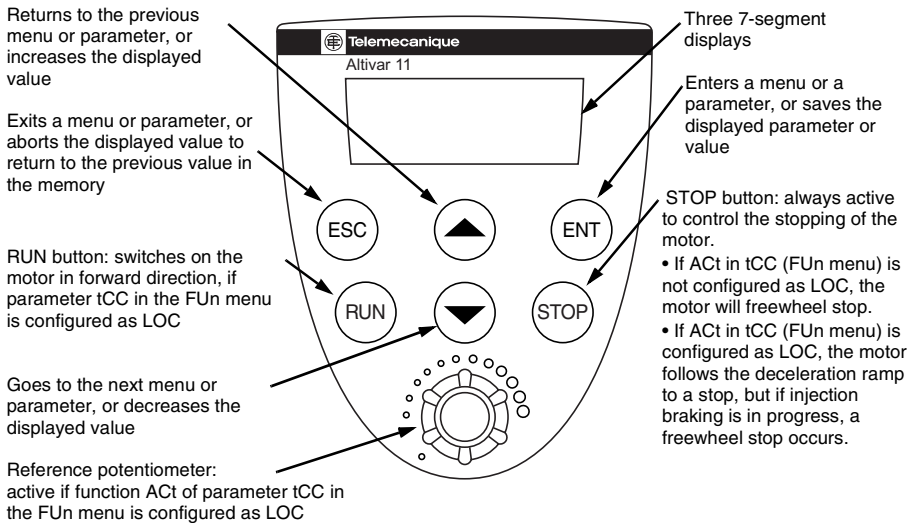


With no fault present and no run command, the normal display is one of the following:

- rdY: Drive controller ready
- 43.0: Display of the parameter selected in the SUP menu (default selection: reference frequency)
- dcb: DC injection braking in progress
- nSt: Freewheel stop

If there is a fault, the display flashes.

Programming the Drive Controller: A (Asian) Range



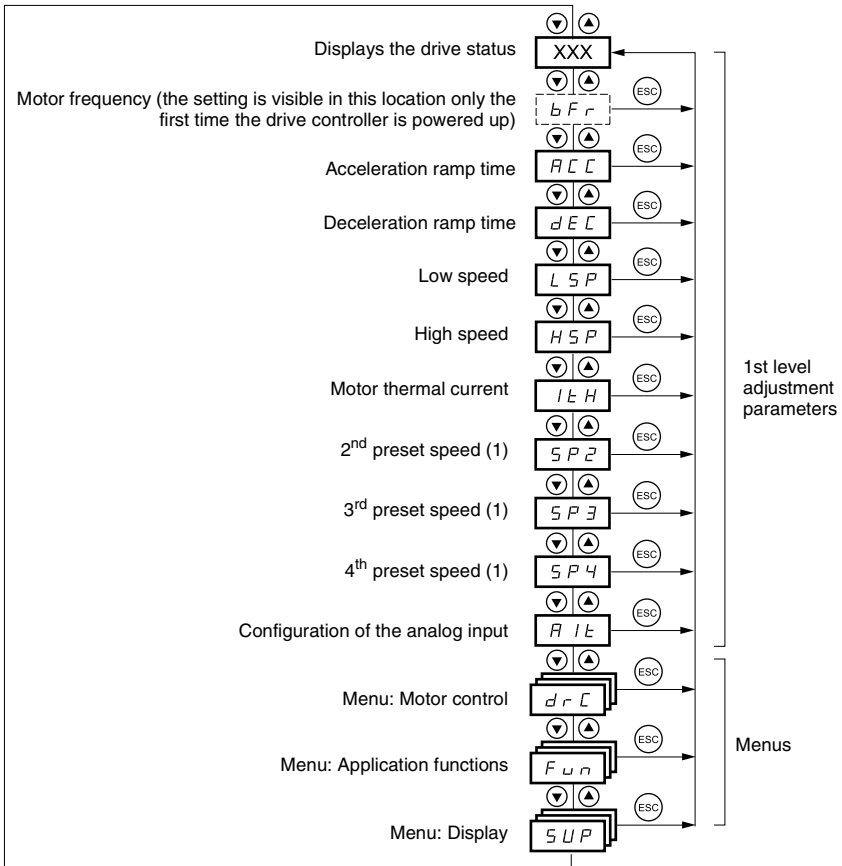
- To save the displayed choice, press **ENT**.
- Pressing **▲** or **▼** does not save the choice.
- The display flashes when a value is stored.

With no fault present and no run command, the normal display is one of the following:

- rdY: Drive controller ready
- 43.0: Display of the parameter selected in the SUP menu (default selection: reference frequency)
- dcb: DC injection braking in progress
- nSt: Freewheel stop

If there is a fault, the display flashes.

ACCESS TO MENU



(1)The preset speeds appear only if PS2 remains at the factory setting or was reconfigured in the FUN menu.

FIRST LEVEL ADJUSTMENT PARAMETERS

- The parameters in unshaded boxes can be modified only when the controller is stopped and locked.
- The parameters in shaded boxes can be modified with the controller operating or stopped.

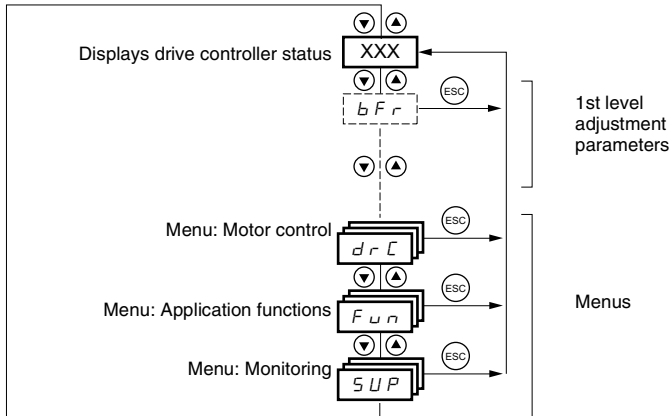


Table 13: First Level Adjustment Parameter Descriptions

Code	Description	Adjustment range	Factory setting
<i>bFr</i>	Motor frequency	50 or 60 Hz	60
	This parameter is displayed here only the first time the drive controller is powered up. You can modify it at any time in the FUn menu.		
<i>RCC</i>	Acceleration ramp time	0.1 s to 99.9 s	3
	Range: 0 Hz to motor nominal frequency FrS (parameter in drc menu).		
<i>dEC</i>	Deceleration ramp time	0.1 s to 99.9 s	3
	Range: motor nominal frequency FrS (parameter in drc menu) to 0 Hz.		
<i>LSP</i>	Low speed	0 Hz to HSP	0
<i>HSP</i>	High speed	LSP to 200 Hz	= bFr
	Ensure that this setting is appropriate for the motor and the application.		
<i>lth</i>	Motor thermal current	0 to 1.5 I _N ¹	According to rating
	Current used for motor thermal protection. Set lth to the nominal current on the motor nameplate. The motor thermal state memory is reset to zero when the drive controller is powered down.		
<i>SP2</i>	2 nd preset speed ²	0.0 to 200 Hz	10
<i>SP3</i>	3 rd preset speed ²	0.0 to 200 Hz	25
<i>SP4</i>	4 th preset speed ²	0.0 to 200 Hz	50



Table 13: First Level Adjustment Parameter Descriptions *(continued)*

Code	Description	Adjustment range	Factory setting
R1E	Configuration of the analog input	5 V, 10 V, 0 mA, 4 mA	5 V
	- 5 U:	voltage, 0–5 V (internal power supply)	
	- 10 U:	voltage, 0–10 V (external power supply)	
	- 0 A:	current, 0–20 mA	
	- 4 A:	current, 4–20 mA	

¹ I_N = nominal drive controller current.

² Appears only if function PS2 remains at the factory setting or was reconfigured in the FUn menu. Settings for preset speeds below LSP and above HSP have no effect, because LSP and HSP take precedence.

drC MOTOR CONTROL MENU

-  The parameters in unshaded boxes can be modified only when the controller is stopped and locked.
-  The parameters in shaded boxes can be modified with the controller operating or stopped.

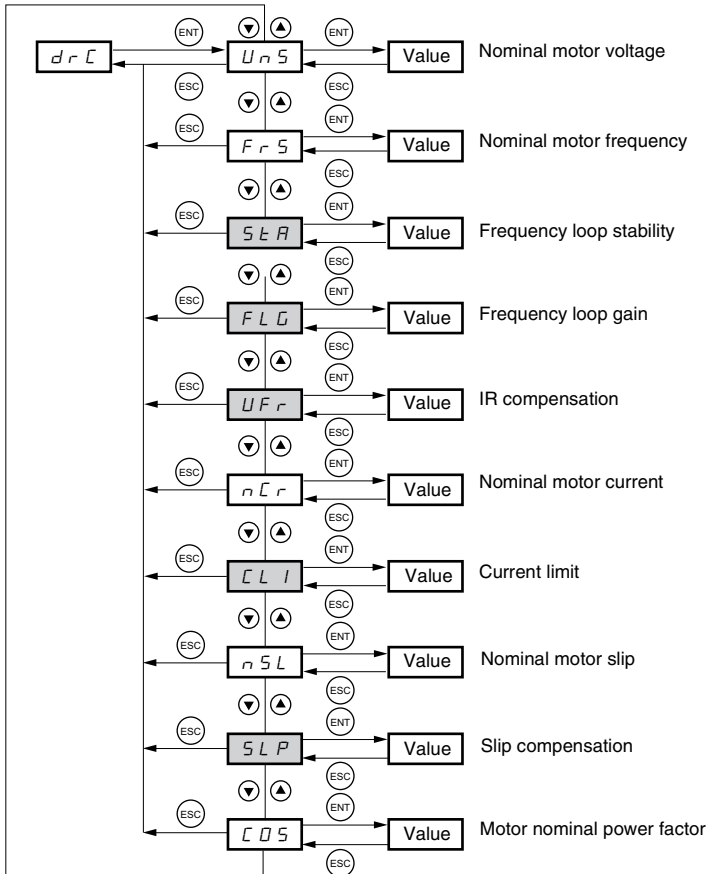


Table 14: drC Motor Control Parameters

Code	Description	Adjustment range	Factory setting
U_{nS}	Nominal motor voltage marked on the nameplate.	100 to 500 V	According to rating
F_{rS}	Nominal motor frequency marked on the nameplate.	40 to 200 Hz	50/60 Hz depending on bFr
S_{tR}	Frequency loop stability	0 to 100% stopped 1 to 100% operating	20
	Value too high: extension of response time Value too low: speed exceeded, possible instability.		
F_{LG}	Frequency loop gain	0 to 100% stopped 1 to 100% operating	20
	Value too high: speed exceeded, instability. Value too low: extension of response time		
U_{Fr}	IR compensation Used to optimize the torque at very low speed, or to adapt the torque to special applications (for ex., motors connected in parallel require lower UFr).	0 to 200%	50
n_{Cr}	Nominal motor current marked on the nameplate	0.25 to 1.5 I_N	According to rating
C_{LI}	Limiting current	0.5 to 1.5 I_N	1.5 I_N
n_{SL}	Nominal motor slip	0 to 10.0 Hz	According to rating
	Calculate using the formula: $n_{SL} = \text{parameter FrS} \times (1 - N_n/N_s)$ N_n = nominal motor speed marked on the nameplate N_s = motor synchronous speed		
S_{LP}	Slip compensation	0 to 150% of n_{SL}	100
	Used to adjust the slip compensation around the value set by the nominal motor slip n_{SL} , or to adapt the slip compensation to special applications (for example, motors connected in parallel require lower SLP).		
C_{OS}	Nominal motor power factor marked on the nameplate	0.50 to 1.00	According to rating

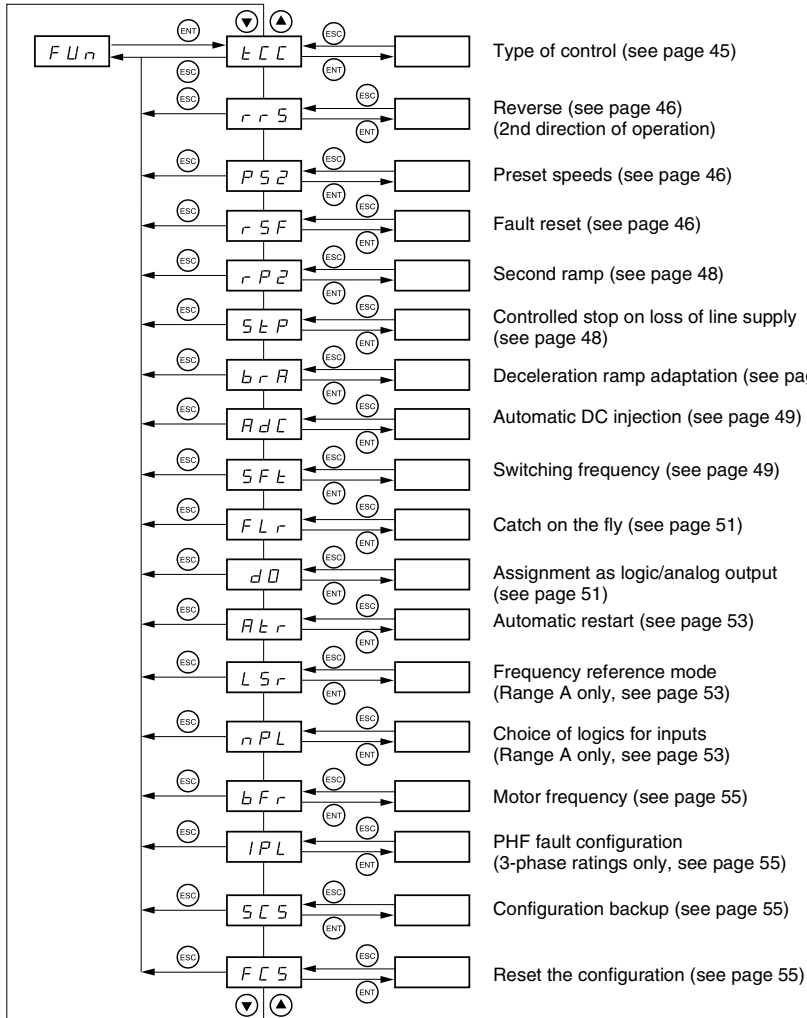
CAUTION

MOTOR OVERHEATING

- This drive controller does not provide direct thermal protection for the motor.
- Use of a thermal sensor in the motor may be required for protection at all speeds or loading conditions.
- Consult the motor manufacturer for the thermal capability of the motor when operated across the desired speed range.

Failure to follow this instruction can result in injury or equipment damage.

FUn APPLICATION FUNCTIONS MENU



Incompatible Application Functions

The following application functions are inaccessible or deactivated as described below:

- Automatic restart is only possible in 2-wire control (ACt in tCC = 2C and tCt in tCC = LEL or PFO). Changing the type of control deactivates the function.
- Catch on the fly is only possible in 2-wire control. Changing the type of control deactivates the function.
Catch on the fly is inaccessible if continuous automatic DC injection is configured (AdC = Ct). Switching to continuous automatic DC injection (ADC = Ct) deactivates the function.
- For A range controllers, the reverse function is inaccessible if local control is active (ACt in tCC = LOC).

NOTE: Multiple functions can be assigned to a single logic input, and function simultaneously. If FWD and REV are assigned to the same logic input, FWD takes precedence.

tCC Menu

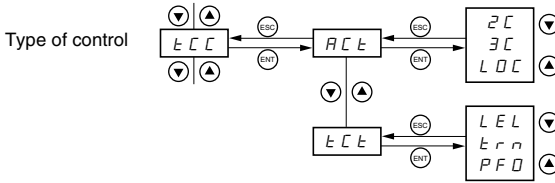
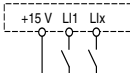
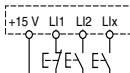


Table 15: Parameter tCC

Code	Description	Factory Setting
tCC	Type of control	
RCL	<p>2C = 2-wire control 3C = 3-wire control 2-wire control: The state of the input, open or closed (1 or 0), controls running or stopping. Example of wiring:  L1: forward Lx: reverse 3-wire control (pulse control): a forward or reverse pulse is sufficient for a start command; a stop pulse is sufficient for a stop command. Example of wiring: </p> <p>NOTE: To change the assignment of tCC, press the ENT key for 2 s. This causes the following functions to return to factory setting: rrS, tCt, Atr, PS2 (LIA, Lib).</p>	2C
tCC	<p>Type of 2-wire control (parameter can only be accessed if tCC = 2C): LEL: If the forward or reverse input is high when the drive controller is powered up, the drive controller will start the motor. If both inputs are high on power up, the controller will run forward. Lr n: The drive controller must see a transition from low to high of the forward or reverse input before it will start the motor. Therefore, if the forward or reverse input is high when the drive controller is powered up, the input must be cycled before the drive controller will start the motor. PF D: Same as LEL, except the forward input has priority over the reverse input with this control. If forward is activated while the controller is running in reverse, the controller will run forward.</p>	trn
LCC	<p>Local control Run/Stop button is always active to control the stopping of the motor. If tCC is not configured as LOC, the motor will freewheel stop. If tCC is configured as LOC, the motor follows the deceleration ramp to a stop, but if injection braking is in progress, a freewheel stop takes place.</p>	

rrS, PS2, and rSF Menus

- The parameters in unshaded boxes can be modified only when the controller is stopped and locked.
- The parameters in shaded boxes can be modified with the controller operating or stopped.

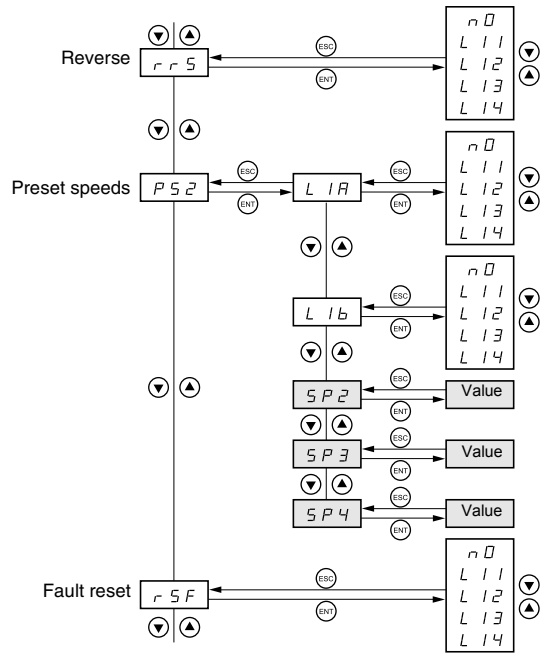


Table 16: Parameters rrS, PS2, rSF

Code	Description	Factory Setting
<i>rrS</i>	<p>Reverse</p> <p>- <i>rrD</i>: function inactive</p> <p>- <i>L11</i> to <i>L14</i>: selects the input assigned to the reverse command</p>	<p>if ACT in tCC = 2C: LI2</p> <p>if ACT in tCC = 3C: LI3</p>
<i>PS2</i>	<p>Preset speeds</p> <p>If LIA and LIb = 0: speed = reference on AI1</p> <p>If LIA = 1 and LIb = 0: speed = SP2</p> <p>If LIA = 0 and LIb = 1: speed = SP3</p> <p>If LIA = 1 and LIb = 1: speed = SP4</p> <p><i>L1A</i> Assignment of input LIA</p> <p>- <i>rrD</i>: function inactive</p> <p>- <i>L11</i> to <i>L14</i>: selects the input assigned to LIA</p> <p><i>L1b</i> Assignment of input LIb</p> <p>- <i>rrD</i>: function inactive</p> <p>- <i>L11</i> to <i>L14</i>: selects the input assigned to LIb</p> <p>SP2 is accessible only if LIA is assigned; SP3 and SP4 are accessible only if LIA and LIb are assigned.</p>	<p>if ACT in tCC = 2C: LI3</p> <p>if ACT in tCC = 3C: LI4</p> <p>if ACT in tCC = 2C: LI4</p> <p>if ACT in tCC = 3C: nO</p>
<i>SP2</i>	2 nd preset speed, adjustable from 0.0 to 200 Hz	10
<i>SP3</i>	3 rd preset speed, adjustable from 0.0 to 200 Hz	25
<i>SP4</i>	4 th preset speed, adjustable from 0.0 to 200 Hz	50
<i>rSF</i>	<p>Fault reset</p> <p>- <i>rrD</i>: function inactive</p> <p>- <i>L11</i> to <i>L14</i>: selects the input assigned to this function</p> <p>The fault reset occurs when the input changes state on the rising edge (0 to 1). The fault is reset only if the cause of the fault is no longer present.</p>	nO

rP2, StP, and brA Menus

- The parameters in unshaded boxes can be modified only when the controller is stopped and locked.
- The parameters in shaded boxes can be modified with the controller operating or stopped.

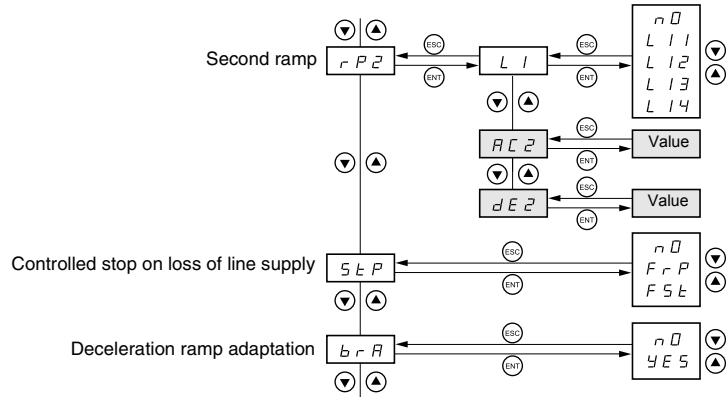


Table 17: rP2, StP, brA Parameters

Code	Description	Factory Setting
<i>rP2</i>	Ramp Switching	
<i>L I</i>	Assignment of the 2nd ramp control input - n0: function inactive - L I 1 to L I 4: selects the input assigned to the function. AC2 and dE2 are accessible only if LI is assigned.	n0
<i>AC2</i>	2nd acceleration ramp time, adjustable from 0.1 to 99.9 s	5.0
<i>dE2</i>	2nd deceleration ramp time, adjustable from 0.1 to 99.9 s	5.0
<i>StP</i>	Controlled stop on loss of line supply - n0: function inactive, motor freewheels - FrP: stop according the valid ramp (DEC or dE2) - FSt: fast stop, the stopping time depends on the inertia of the load and the braking capability of the drive controller.	n0
<i>brA</i>	Deceleration ramp adaptation - n0: function inactive - YES: automatically increases the deceleration time if set too low for the inertia of the load, thus avoiding an overvoltage fault.	YES

AdC and SFt Menus

- The parameters in unshaded boxes can be modified only when the controller is stopped and locked.
- The parameters in shaded boxes can be modified with the controller operating or stopped.

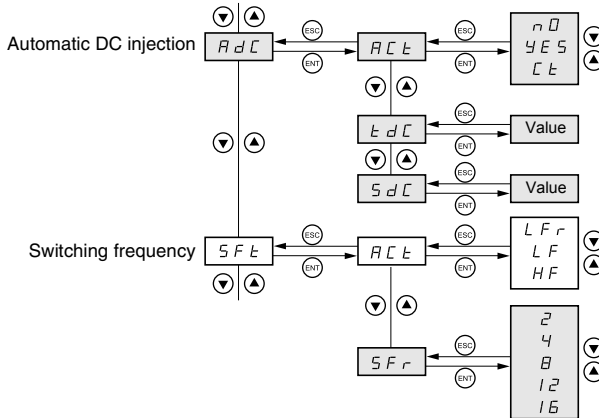



Table 18: Parameters AdC and SFt

Code	Description	Factory Setting
<i>RdC</i>	Automatic DC injection	
<i>RCL</i>	Operating mode - <i>nD</i> : function inactive - <i>YES</i> : DC injection is activated at the end of each stop cycle. The injection time is adjustable via <i>tdC</i> . The injection current is adjustable via <i>SdC</i> . - <i>Ct</i> : Continuous DC injection is activated at the end of each stop cycle. The value of this current can be adjusted via <i>SdC</i> . In 3-wire control, the injection is active only when LI1 is at 1.	YES
<i>LdC</i>	Injection time on stopping, adjustable from 0.1 to 30.0 s. Accessible only if <i>ACt</i> = YES.	0.5 s
<i>SdC</i>	Injection current, adjustable from 0 to 1.5 I_n . Accessible only if <i>ACt</i> = YES or <i>Ct</i> .	0.7 I_n

Table 18: Parameters AdC and SFt (continued)

Code	Description	Factory Setting
 WARNING		
NO HOLDING TORQUE		
<ul style="list-style-type: none"> • DC injection braking does not provide holding torque at zero speed. • DC injection braking does not function during loss of power or during a drive controller fault. • When required, use a separate brake for holding torque. 		
EXCESSIVE DC INJECTION BRAKING		
<ul style="list-style-type: none"> • Application of DC injection braking for long periods of time can cause motor overheating and damage. • Protect the motor from extended periods of DC injection braking. 		
Failure to follow this instruction can result in death, serious injury, or equipment damage.		
<i>S F t</i>	Switching frequency	
<i>A C t</i>	Frequency range - <i>L F r</i> : random frequency around 2 or 4 kHz according to SFr - <i>L F</i> : fixed frequency of 2 or 4 kHz according to SFr - <i>H F</i> : fixed frequency of 8, 12, or 16 kHz according to SFr	LF
<i>S F r</i>	Switching frequency: - <i>2</i> : 2 kHz (if ACt = LF or LFr) - <i>4</i> : 4 kHz (if ACt = LF or LFr) - <i>8</i> : 8 kHz (if ACt = HF) - <i>12</i> : 12 kHz (if ACt = HF) - <i>16</i> : 16 kHz (if ACt = HF) When SFr = 2 kHz, the frequency automatically changes to 4 kHz at high speed. When SFt = HF, the selected frequency automatically changes to the lower frequency if the thermal state of the drive controller is too high. It automatically returns to the SFr frequency as soon as the thermal state permits.	4 (if ACt = LF or LFr) 12 (if ACt = HF)

FLr and dO Menus

- The parameters in unshaded boxes can be modified only when the controller is stopped and locked.
- The parameters in shaded boxes can be modified with the controller operating or stopped.

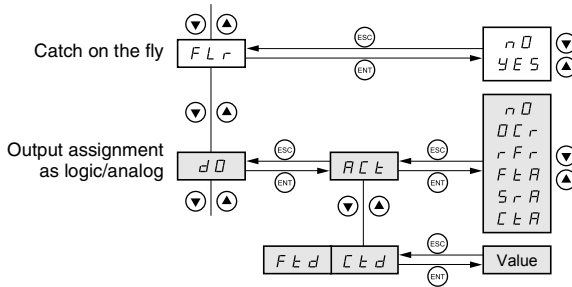


Table 19: Parameters FLr and dO

Code	Description	Factory Setting
<i>FLr</i>	<p>Catch on the fly</p> <p>Enables a smooth restart if the run command is maintained after the following events:</p> <ul style="list-style-type: none"> - loss of line supply or removal of power - fault reset or automatic restart - freewheel stop <p>The motor resumes from the estimated speed at the time of the restart, then follows the ramp to the reference speed.</p> <p>This function requires 2-wire control (Act in tCC = 2C) with tCt in tCC = LEL or PFO.</p> <p>nD: function inactive yE5: function active</p> <p>This function intervenes at each run command, resulting in a start after a delay of 1 second maximum.</p> <p>If continuous automatic injection braking is configured (Ct) this function is inactive.</p>	nO

Table 19: Parameters FLr and dO (continued)

Code	Description	Factory Setting
dO	Analog/logic output DO	
RLt	Assignment - nO: not assigned - OCr: output/motor current (analog output). The full signal corresponds to 200% of the nominal drive controller current. - rFr: motor frequency (analog output). The full signal corresponds to 100% HSP. - FLA: frequency threshold attained (logic output), closed (state 1) if the motor frequency exceeds the adjustable threshold Ftd. - SRA: reference attained (logic output), closed (state 1) if the motor frequency is equal to the reference. - CLA: current threshold attained (logic output), closed (state 1) if the motor current exceeds the adjustable threshold Ctd. Ftd is accessible only if ACt = FtA. Ctd is accessible only if ACt = CtA.	rFr
Ftd	frequency threshold, adjustable from 0 to 200 Hz.	= bFr
Ctd	current threshold, adjustable from 0 to 1.5 I _n .	I _n

Atr, LSr, and nPL Menus

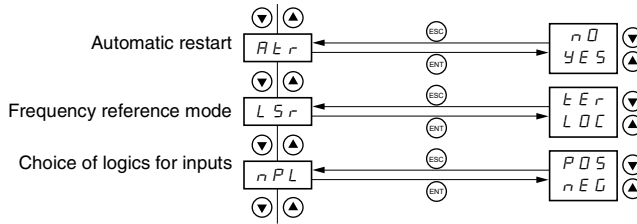


Table 20: Parameters Atr, LSr, and nPL

Code	Description	Factory Setting
<i>Atr</i>	<p>Automatic restart</p> <ul style="list-style-type: none"> - <i>nO</i>: function inactive - <i>Y E S</i>: Allows automatic restart after locking on a fault, if the fault has been cleared and the other operating conditions permit the restart. A series of automatic restart attempts are separated by increasingly long waiting periods: 1 s, 5 s, and 10 s, then 1 min for the remaining periods. If the restart does not occur after 6 min, the procedure is aborted and the drive controller remains in a fault state until the power is cycled. The following faults permit automatic restart: OHF, OLF, ObF, OSF, and PHF. The drive controller fault relay remains activated if this function is active. The speed reference and the operating direction must be maintained. Automatic restart is only accessible in 2-wire control (ACT in tCC = 2C) with tCt in tCC = LEL or PFO. 	nO

⚠ WARNING

UNINTENDED EQUIPMENT OPERATION

- Automatic restart can only be used for machines or installations that present no danger to personnel or equipment in the event of automatic restarting.
- If automatic restart is active, R1 will only indicate a fault after the restart sequence has timed out.
- Equipment operation must conform with national and local safety regulations.

Failure to follow this instruction can result in death, serious injury, or equipment damage.

Table 20: Parameters Atr, LSr, and nPL (continued)

Code	Description	Factory Setting
LSr	<p>Frequency reference mode</p> <p>This parameter is only accessible on A range drive controllers.</p> <ul style="list-style-type: none"> - LDC: the speed reference is given by the potentiometer on the front of the drive controller. - tEr: the speed reference is given by analog input AI1. <p>For LOC and tEr to be taken into account, the ENT key must be held down for 2 s.</p>	LOC
nPL	<p>Choice of Logic for inputs</p> <p>This parameter is only accessible on A range drive controllers.</p> <ul style="list-style-type: none"> - PDS: the inputs are active (state 1) at a voltage of 11 V or more (for example, +15 V terminal) and inactive (state 0) when the drive controller is disconnected, or at a voltage of less than 5 V. - nEG: the inputs are active (state 1) at a voltage of less than 5 V (for example, 0 V terminal) and inactive (state 0) at a voltage of 11 V or more, or when the drive is disconnected. <p>For POS and nEG to be taken into account, the ENT key must be held down for 2 s.</p>	POS

bFr, IPL, SCS, and FCS Menus

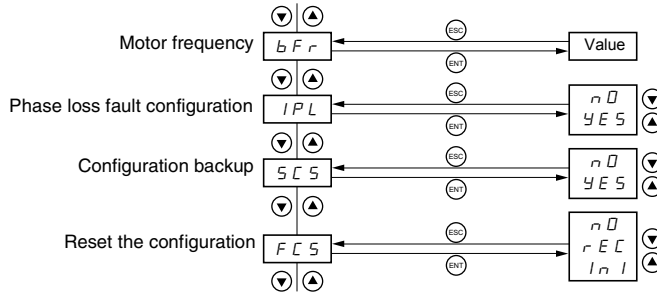
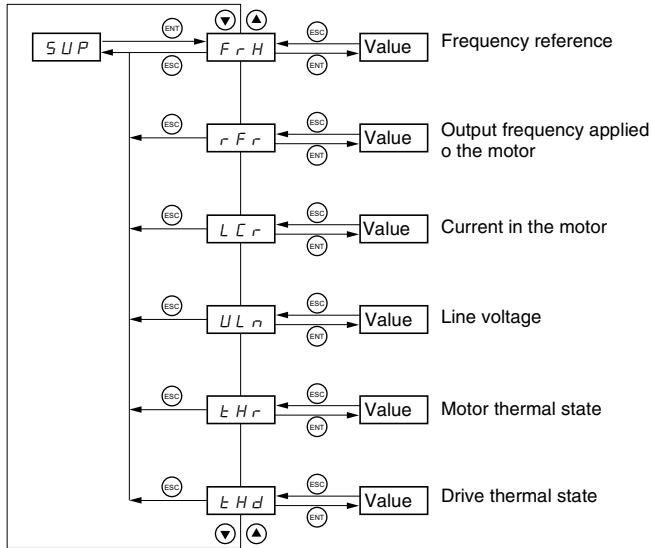


Table 21: Parameters bFr, IPL, SCS, and FCS

Code	Description	Factory Setting
<i>bFr</i>	Motor frequency (Same as bFr 1st level adjustment parameter) Set to 50 Hz or 60 Hz, depending on the motor nameplate rating.	60
<i>IPL</i>	Line phase loss fault configuration This parameter is only accessible on 3-phase drive controllers. - <i>nD</i> : inhibits the line phase loss fault - <i>YES</i> : activates monitoring for a line phase loss	YES
<i>SCS</i>	Configuration backup - <i>YES</i> : saves the current configuration in EEPROM memory as a backup configuration. SCS automatically switches to nO as soon as the save is complete. Drive controllers ship with both the current configuration and the backup configuration set to the factory configuration.	nO
<i>FCS</i>	Reset the configuration - <i>nD</i> : function inactive - <i>rEC</i> : resets the configuration to the backup configuration previously saved using SCS. rEC is only visible if a backup has been performed. FCS automatically switches to nO as soon as the reset is complete. - <i>InI</i> : resets the configuration to the factory setting. FCS automatically switches to nO as soon as the reset is complete. NOTE: To perform the rEC and InI commands, you must hold down the ENT key for 2 s.	nO

SUP DISPLAY MENU



When the drive controller is running, it displays the value of one of the monitoring parameters. The default display is frequency reference (parameter FrH).

To change the display, scroll to the desired monitoring parameter and press ENT to display its value. While this value is being displayed, press ENT a second time to confirm the change of the parameter and to store it. From now on, the value of this parameter is displayed while the drive controller is running (even after it has been disconnected). If the new selection is not confirmed in this way, the display returns to the previous parameter after the drive controller is disconnected.

MAINTENANCE AND TROUBLESHOOTING

Precautions

Read the following safety statements before proceeding with any maintenance or troubleshooting procedures.

DANGER

HAZARDOUS VOLTAGE

- Read and understand these procedures and the precautions on page 2 of this manual before servicing ATV11 drive controllers.
- Installation, adjustment, and maintenance of these drive controllers must be performed by qualified personnel.

Failure to follow this instruction will result in death or serious injury.

The maintenance and troubleshooting procedures in this section are intended for use by qualified electrical maintenance personnel and should not be viewed as sufficient instruction for those who are not otherwise qualified to operate, service, or maintain the equipment.

Routine Maintenance

Perform the following steps at regular intervals:

- Check the condition and tightness of the connections.
- Make sure that the ventilation is effective and that the temperature around the drive controller remains at an acceptable level.
- Remove dust and debris from the drive controller, if necessary.

Fault Detection

If a fault is detected, the drive controller trips and the fault relay deenergizes unless Atr is active. See parameter Atr on page 53 for a description of automatic restart. See Table 22 on page 60 for fault descriptions. All faults can be reset by cycling the power to the drive controller.

When taking corrective action, verify that there is no voltage present on the DC bus (see the bus voltage measurement procedure on page 22), then check the supply voltage and peripheral equipment as outlined below.

Procedure 1: Checking the Supply Voltage

To measure the input line voltage:

1. Remove all input line voltage.
2. Attach meter leads to L1 and L2. Set the voltmeter to the 600 Vac scale.
3. Reapply power and check for the correct line voltage, according to the drive controller nameplate rating.
4. Remove power. If the controller is wired for three phase, repeat the procedure for L2 and L3, and L1 and L3.
5. When all phases have been measured, remove power. Remove leads and reinstall covers.

Procedure 2: Checking the Peripheral Equipment

Check the equipment for the following conditions. Follow the manufacturer's procedures.

1. A protective device such as fuses or a circuit breaker may have tripped.
2. A switching device such as a contactor may not be closing at the correct time.
3. Conductors may require repair or replacement.
4. Connection cables to the motor or to ground may be loose. Follow NEMA standard procedure WC-53.

NOTE: Bus voltage can exceed 400 Vdc. Use appropriately-rated measuring equipment.

5. The motor insulation may be worn. Follow NEMA standard procedure MG-1. Do not apply high voltage to U, V, or W (see Table 9 on page 25). Do not connect high potential dielectric test equipment or an insulation resistance tester to the drive controller, since the test voltages used may damage it. Always disconnect the drive controller from the conductors or motor while performing such tests.

⚠ CAUTION

DIELECTRIC TESTS, WHEN CONNECTED

- Do not perform high potential dielectric tests on circuits while the circuits are connected to the drive controller.
- Any circuit requiring high potential dielectric tests must be disconnected from the drive controller before performing the test.

Failure to follow this instruction can result in injury or equipment damage.

FAULT STORAGE

An existing fault is saved and displayed on the keypad display as long as power is maintained. When the drive controller trips, the fault relay deenergizes. To reset the fault:

- Remove power from the drive controller.
- Identify and correct the cause of the fault.
- Restore power. This resets the fault if it has been corrected.

In certain cases, if automatic restart is enabled, the drive controller automatically restarts after the cause of the fault is removed. Refer to the description of Atr on page 53.

LIST OF FAULTS AND CORRECTIVE ACTION

Faults cannot be reset until the cause is removed. Faults OHF, OLF, OSF, ObF, and PHF can be reset via a logic input (rSF) if configured for this function. Faults OHF, OLF, OSF, ObF, and PHF can be reset via automatic restart (Atr) if configured for this function and if the drive controller is configured for 2-wire control. Fault USF resets as soon as the fault is removed; neither a logic input nor automatic restart is required for the reset. All faults can be reset by cycling the power.

Table 22: List of Faults

Fault	Probable cause	Corrective Action
- C F F configuration fault		- Restore the factory settings or the backup configuration, if it is valid. See parameter FCS in the FUn menu (see page 55).
- C r F precharge circuit	- precharge circuit damaged	- Reset the drive controller. - Replace the drive controller.
- I n F internal fault	- internal fault - internal connection fault	- Remove sources of electromagnetic interference. - Replace the drive controller.
- D b F overvoltage during deceleration	- braking too rapidly or overhauling load	- Increase the deceleration time. - Install a braking resistor if necessary. - Activate the brA function if it is compatible with the application.
- D C F overcurrent	- acceleration too rapid - drive controller and/or motor undersized for load - mechanical blockage	- Increase acceleration time. - Ensure that the size of the motor and drive controller is sufficient for the load. - Clear mechanical blockage.
- D H F drive controller overload	- continuous motor current load too high - ambient temperature too high	- Check the motor load, the drive controller ventilation, and the environment. Wait for the controller to cool before restarting. - Increase ACC for high inertia loads.
- D L F motor overload	- thermal trip due to prolonged motor overload - motor power rating too low for the application	- Check the setting of the motor thermal protection (Ith). See page 39. Check the motor load. Wait for the motor to cool before restarting.
- D S F overvoltage during steady state operation or during acceleration	- line voltage too high - induced voltage on output wiring	- Check the line voltage. Compare with the drive controller nameplate ratings. - Reset the drive controller. - Verify that the wiring is correct (see pages 22–28).
- P H F input phase failure	- input phase loss, blown fuse - input phase imbalance - transient phase fault - 3-phase controller used on a single phase line supply - unbalanced load	- Verify that the input power is correct. - Check the line fuses. - Verify input power connections. - Supply 3-phase power if needed. - Disable IPL (set to nO).

Table 22: List of Faults (continued)

Fault	Probable cause	Corrective Action
- 5 C F motor short circuit	- short-circuit or grounding at the drive controller output	- Check the cables connecting the drive controller to the motor, and check the insulation of the motor.
- 5 O F overspeed	- instability - overhauling load	- Check the motor, gain, and stability parameters. - Add a braking module and resistor and verify the drive controller, motor, and load.
- U S F undervoltage	- input voltage too low - transient voltage dip - damaged precharge resistor	- Check that the line voltage matches the nameplate rating. - Check the setting of parameter UnS. - Replace the drive controller.

Drive Controller Does Not Start, No Fault Displayed

On power-up, a manual fault reset, or after a stop command, the motor can be powered only after the forward and reverse commands are reset (unless tCt = LEL or PFO). If they have not been reset, the drive controller displays “rdY” or NST, but does not start. If the automatic restart function is configured (parameter Atr in the drC menu) and the drive controller is in 2-wire control, these commands are taken into account without a reset.

CONFIGURATION AND SETTINGS TABLES

ATV11 controller catalog no. _____

Customer identification no. _____

Table 23: First Level Adjustment Parameters

Code	Factory Setting		Customer Setting		Code	Factory Setting		Customer Setting	
<i>bFr</i>	50/60	Hz		Hz	<i>LSP</i>	0	Hz		Hz
<i>ACC</i>	3	s		s	<i>HSP</i>	50/60	Hz		Hz
<i>dEC</i>	3	s		s	<i>IEH</i>		A		A

Table 24: Motor Control Menu *drC*

Code	Factory Setting		Customer Setting		Code	Factory Setting		Customer Setting	
<i>UnS</i>		V		V	<i>nCr</i>		A		A
<i>Frs</i>	50/60	Hz		Hz	<i>LLI</i>		A		A
<i>StA</i>	20	%		%	<i>nSL</i>		Hz		Hz
<i>FLG</i>	20	%		%	<i>SLP</i>	100	%		%
<i>UFr</i>	50	%		%	<i>CD5</i>				

Table 25: Application Functions Menu *F U n*

Code	Factory setting		Customer setting		Code	Factory setting		Customer setting	
<i>t c c</i>					<i>A d c</i>				
<i>A c t</i>	2C				<i>A c t</i>	YES			
<i>t c t</i>	trn				<i>t d c</i>	0.5	s		s
<i>r r s</i>	LI2				<i>S d c</i>		A		A
<i>P S 2</i>					<i>S F t</i>				
<i>L I A</i>	LI3				<i>A c t</i>	LF			
<i>L I b</i>	LI4				<i>S F r</i>	4	kHz		kHz
<i>S P 2</i>	10	Hz		Hz	<i>F L r</i>	nO			
<i>S P 3</i>	25	Hz		Hz	<i>d O</i>				
<i>S P 4</i>	50	Hz		Hz	<i>A c t</i>	rFr			
<i>r S F</i>	nO				<i>F t d</i>	50 / 60	Hz		Hz
<i>r P 2</i>					<i>C t d</i>		A		A
<i>L I</i>	nO				<i>A I t</i>	5U			
<i>A c 2</i>	5	s		s	<i>A t r</i>	nO			
<i>d E 2</i>	5	s		s	<i>L S r¹</i>	LOC			
<i>S t P</i>	nO				<i>n P L¹</i>	POS			
<i>b r A</i>	YES				<i>b F r</i>	50 / 60	Hz		Hz
					<i>I P L</i>	YES			

¹ A range only.

A

AC2 48
ACC 39
acceleration
 ramp time 39
 second ramp time 48
ACt 45, 49–50, 52
AdC 49
agency approvals 13
AIC rating
 power supply 14
Alt 40
altitude 13
application functions
 DO output 33
 logic input 31
Atr 53
automatic restart 59

B

bFr 39, 55
brA 48
braking module 25
bus voltage measurement 22

C

cable 14, 24
capacitors 24
catalog number 9–11
catch on the fly 51
CE markings 13
CFF 60
clearances 17
CLI 42
condensation 21
configuration
 backup 55
 fault 60
 reset 55
control
 three-wire 31, 45
 two-wire 31, 45
COS 42
CrF 60
Ctd 52
current
 limiting 42
 max. line 9–11
 max. transient 9–11, 14

 motor 33
 motor thermal 39
 nominal 9–11
 nominal motor 42
 threshold 33, 52

D

DB resistance values 12
DC injection 49
 current 49
 time 49
dE2 48
dEC 39
deceleration
 ramp adaptation 48
 ramp time 39
 second ramp time 48
dielectric tests 59
dimensions 16
direction
 forward operation 31
 reverse operation 31
display 36–37
dO 52
DO output 15

E

electromagnetic compatibility
 13, 29–30
EMC mounting plate 30
emissions 13
enclosure
 IP54 19
 sizing 19, 21
 thermal resistance 19
 type 12 19
 ventilation 21
ENT button 36–37
ESC button 36–37

F

fan 17, 21
fault
 corrective actions 60
 detection 57
 list of 60
 relay contact 27
 reset 32, 47, 57, 59
 storage 59
FCS 55

FLG 42
FLr 51
frequency
 loop gain 42
 loop stability 42
 motor 33, 39, 55
 nominal motor 42
 output 14
 power supply 14
 reference 54
 resolution 15
 switching 9–11, 14, 50
 threshold 33, 52

FrP 48
FrS 42
FSt 48
Ftd 52
fuses 23, 26

G

galvanic isolation 14
grounding 22
 terminal 25

H

heater 21
high speed 39
holding torque 50
HSP 39
humidity 13

I

incompatibility
 application functions 44
InF 60
input
 analog 14, 27, 34, 40
 logic 15, 27, 31, 54
 phase failure 60
inspection 8
internal fault 60
internal supplies 14
IPL 55
IR compensation 42
ItH 39

L

LI 48
LIA 47
Llb 47
lightning arrestors 24

line

- contactor 35
- phase loss 55

LOC 54

low speed 39

LSP 39

LSr 54

M

maintenance 57

menus

- drC motor control 41
- FUn application functions 43–55
- overview 38
- SUP display 56

motor thermal current 39

mounting

- in enclosure 19
- precautions 16

N

nCr 42

nEG 54

noise suppressors 24

nPL 54

nSL 42

O

ObF 60

OCF 60

OHF 60

OLF 60

OSF 60

output

- DO 15, 27, 52
- relay 15

overcurrent 15, 23, 60

overheating 15

overload 14

- controller 60
- motor 60

overspeed 61

overtorque 14

overvoltage 15

- during acceleration 60
- during deceleration 60
- during steady state
- operation 60

P

parameters

- drC motor control 41
- factory settings 62–63
- first level adjustment 39
- FUn application functions 43–55
- monitoring 56
- SUP display 56

PHF 60

POS 54

potentiometer 14, 27, 37

power factor 42

precharge circuit fault 60

preset speeds 32, 39, 47

programming 35–37

- precautions 35

protection

- branch circuit 23
- controller 15
- degree of 13
- motor 15
- overcurrent 23
- thermal 42

PS2 47

PTC probe 9–11, 15

R

range 7

ratings 7, 9–11

receiving 8

reference reached 33

restart

- automatic 53, 59
- reverse 47

rP2 48

rrS 47

rSF 47

RUN button 37

S

SCF 61

SCS 55

SdC 49

second ramp 48

SFr 50

SFt 50

shipping damage 8

shock 13

short circuit 14–15, 32

- motor 61

slip

- compensation 42
- nominal motor 42

SLP 42

SOF 61

SP2 39, 47

SP3 39, 47

SP4 39, 47

speed 14

STA 42

stop

- controlled 48
- fast 48
- freewheel 48
- on ramp 48

STOP button 37

storage 8

StP 48

switching frequency 9–11, 14

T

tCC 45

tCt 45

tdC 49

temperature

- mounting 16
- operating 13
- storage 8, 13

tEr 54

terminals

- control 27
- power 24–25

torque

- braking 14

U

UFr 42

undervoltage 15, 61

UnS 42

USF 61

V

V/F ratio 14

ventilation 21

vibration 13

voltage

- bus 22
- nominal 9–11

nominal motor 42
output 14
power supply 14
supply 58

W

wiring
control 24
diagram 28
power 24

W91623851011101A01



91623851011101

Electrical equipment should be installed, operated, serviced, and maintained only by qualified personnel. No responsibility is assumed by Schneider Electric for any consequences arising out of the use of this material.

Solamente el personal especializado deberá instalar, hacer funcionar y prestar servicios de mantenimiento al equipo eléctrico. Schneider Electric no asume responsabilidad alguna por las consecuencias emergentes de la utilización de este material.

Seul un personnel qualifié doit effectuer l'installation, l'utilisation, l'entretien et la maintenance du matériel électrique. Schneider Electric n'assume aucune responsabilité des conséquences éventuelles découlant de l'utilisation de cette documentation.

Square D Company
8001 Hwy 64 East
Knightdale, NC 27545
1-888-SquareD
(1-888-778-2733)
www.SquareD.com

VVDED302026US
October 2002
© 2002 Schneider Electric
All Rights Reserved

Importado en México por:
Schneider Electric México,
S.A. de C.V.
Calz. J. Rojo Gómez 1121-A
Col. Gpe. del Moral 09300 México,
D.F. Tel. 55-5804-5000
www.schneider-electric.com.mx

VVDED302026US
October 2002
© 2002 Schneider Electric
Reservados todos los derechos

Schneider Canada Inc.
19 Waterman Avenue,
M4B 1 Y2
Toronto, Ontario
1-800-565-6699
www.schneider-electric.ca

VVDED302026US
October 2002
© 2002 Schneider Electric
Tous droits reserves