

IMPORTANT

1. Always include complete heater model and serial number so that any specification change can be considered for parts shipment. It can save time and expense.
2. Specifications are subject to change without notice.
3. We reserve the right to substitute functional replacements.
4. Order by Part No.; not Heater Option Designation.

Applies to: Separated-Combustion Models SC, SCE, SSCBL, SSCDBL



Index

- A**
 Air Shutter (burner rack) 11
 Blower Air Flow Switch 5
 Alarm Bell 12
 Amplifiers 6
- B**
 Heat Exchanger Tube Baffles 10
 Bearing Mounting 30
 Bearings 28
 Belt 20, 21, 22, 24, 25
 Motor Mounting Bolts 30
 Burner Rack and Components 10
- C**
 Blower Cabinet Parts 27
 Interior Cabinet Parts 9
 Cabinet Parts 26, 28
 Exhaust Cap 3
 Inlet Air Cap 3
 Capacitor 9
 Carryover 10
 Carryover Regulator 11
 Combustion Air Pressure Switch 5
 Concentric Adapter Assy 3
 Condensate Drain Kit 26
 Motor Contactor 6
 Mixed Air Controller 32
 Outside Air Controller 32
- D**
 Damper Motor 31
 Damper Rod 31
 Dampers and Controls 31
 Date of Manufacture 2
 Date Series was Introduced or Re-certified 3
 DDC (4-20 ma) interface module 32
 Disconnect Switch 7
 Drive Options and Components 20
 Ductstat 5
 Ductstat Sensor 5
- E**
 Electrical Components 4
 Screened Exhaust Cap 3
- F**
 Rubber Feet and Hardware (blower motor) 28

- Filters 27, 30
 Firestat 5
 Flue Collection Box 9
 Freezestat 5
 Frequency Drives 17
 Fuse 6
 Fuseholder 6
- G**
 Grommet 26
 Inlet Guard 3
- H**
 Hand Quadrant 32
 Heat Exchanger 9
 Heat Exchanger Directional Air Baffles 9
- I**
 Ignition Controllers 5
- L**
 Door Latch Kit 29
 Light 8
 Reverse Flow Limit 6
 Limit Control 4
 Damper Linkage Parts 32
 Louvers 26
- M**
 Special Manifold Components 12
 Manifold 11
 Blower Motor 13, 14, 15, 16, 17, 18, 19, 20
 Damper Motor 31
 Gear Motor 9
 Motor Adjustment Bracket 28
 Motor Support 28, 29
 Mounting Support 26
- O**
 Burner Orifices 10
 Convenience Outlet 6
 Overload 14, 16
 Overloads 17
- P**
 Paint 26
 Replacement Parts Tag 3
 Pilots 12
 Potentiometer 32
 Low Gas Pressure Switch 12
 Pressure Null Switch 32
 Dirty Filter Pressure Switch 7
 High Gas Pressure Switch 6, 12

- Low Gas Pressure Switch 6
 Pulley 20, 21, 22, 24, 25
- R**
 Rating Plate 2
 2-Speed Motor Speed Selector Relay 6
 Relay 4, 9, 12
 Remote Console 7
- S**
 Discharge Sensor for Modulating Gas 6
 Air Flow Switch Sensor 30
 Serial Number 2
 Blower Shaft 28
 Signal Conditioner 6
 Silicone Sealant 3
 Starter 14
 Holding Coils for IEC Starters 17
 Starters 13, 14, 15, 16, 17, 18, 19, 20
 Summer/Winter Switch 5
 Toggle Switches 7
 Auxiliary End Switch 32
 Gas Pressure Switch 6
 Switch 8
- T**
 Temperature Control 6
 Temperature Selectors 6
 Terminal Block 4
 Thermostats 7
 Transformer 4, 7, 13
- V**
 Fluid Power Valve 13
 Gas Valve 10
 Manual Gas Valves 11
 Variable Frequency Drives 13
 Venter and Flue Duct Parts 8
 Venter Motor and Wheel 8
 Vent Limiter 6
 Vent Terminal/Combustion Air Intake Components 3
 Vent Valve 13

Model SC Duct Furnace



Model SCE Blower/Furnace Packaged System



(discontinued 2011)

Model SSCBL Packaged System with "BL" Type Blower Cabinet and 1, 2, or 3 Furnace Sections



Model SSCDBL Packaged System with two "BL" Type Blower Cabinets and 2, 4, or 6 Furnace Sections



(discontinued 2011)

Additional References:

(See your factory distributor for the following catalogs and instruction manuals)

Subject	Form
Service - Replacement Gas Valves, Ignition Controllers & Maxitrol Parts.....	P-VALVES
Service - Converting to Other Gases.....	P-GC
Service - Replacement Parts for Optional Evaporative Cooling Module.....	P-REC
Installation/Operation - Model Series SC, Duct Furnace.....	I-SC
Installation/Operation - Model Series SCE Packaged Duct Furnace/Blower.....	I-SCE
Installation/Operation - Model Series SSCBL and SSCDBL Packaged Systems.....	I-SSCBL
Installation/Operation - Vent Terminal/Combustion Air Packages.....	I-OPT-VC
Installation/Operation - Optional Evaporative Cooling Modules.....	I-OPT-EC

Rating Plate and Serial No.

MERCER, PA. USA 16137
 MADE IN MEXICO
 SEPARATED COMBUSTION SYSTEM
 DUCT FURNACE
 CATEGORY III
 FOR INDUSTRIAL/COMMERCIAL USE ONLY
 ANSI Z83.8 [AA] - [A] CSA 2.6 [AA'] - [A'] DUCT FURNACE
MODEL [B][C]
SERIAL NO. [D]
 WIRING DIAGRAM NUMBER [Z]
 [E] VOLTS [E] PH [E] HZ MAXIMUM TOTAL INPUT [E] AMPS
TYPE OF GAS: [F]
 ORIFICE SIZE [J] DRILL HAS BEEN FACTORY ADJUSTED
 FOR USE AT [H] FEET [I] METERS OF ALTITUDE

	SEA LEVEL	ALT. ADJUSTED
NORMAL INPUT	[R]	[K] BTU/HR.
THERMAL OUTPUT CAPACITY	[S]	[L] BTU/HR.
MINIMUM INPUT(2,M,MV MODELS)[T1 or T2]	[M]	BTU/HR.
NORMAL MANIFOLD PRESSURE	[N]	IN.W.C.
MIN. PERMISSIBLE GAS SUPPLY PRESSURE FOR PURPOSE OF INPUT ADJUSTMENT.	[O]	IN.W.C.
MAXIMUM THROUGHPUT [P]		CFM.
MINIMUM THROUGHPUT [Q]		CFM.

CLEARANCES TO COMBUSTIBLE CONSTRUCTION: FLUE CONN. -6",
 SERVICE SIDE-WIDTH OF UNIT, OPP. SIDE-6", BOTTOM-6", TOP-6"
 MAY BE INSTALLED ON NONCOMBUSTIBLE FLOORS.
 INSTALL ON THE POSITIVE PRESSURE SIDE OF AIR-CIRCULATING BLOWER.
 THIS UNIT MAY BE INSTALLED DOWNSTREAM FROM A REFRIGERATION
 SYSTEM (USE DRAIN OPTION CS1).
 THIS UNIT MAY BE VENTED VERTICALLY WHEN USING CONCENTRIC
 ADAPTOR ASSEMBLY, PART NO. 82131, SUPPLIED BY MANUFACTURER.
 FOR ALTERNATE INSTALLATIONS USE THE LATEST EDITIONS OF THE
 APPROPRIATE STANDARD LISTED BELOW:
 FOR AIRCRAFT HANGARS USE STANDARD ANSI/NFPA 409
 FOR PARKING STRUCTURES USE STANDARD ANSI/NFPA 88A
 FOR REPAIR GARAGES USE STANDARD ANSI/NFPA 88B
 THIS UNIT IS FOR CONNECTION MINIMUM OF 10'-0" OR THE FOLLOWING
 MAXIMUM LENGTHS:
 [X] IN. PIPE DIA. [Y] FEET MAX. COMBINED LENGTH

Key to Rating Plate Codes

AA-A = ANSI Code and Date
AA'-A' = CSA Code and Date
B = Model No.
C = Date of Manufacture
D = Serial No.
E = Volts, Phase, Hz, Amps
F = Type of Gas
H = Altitude (feet)
I = Altitude (meters)
J = Orifice Size
K = Normal Input Altitude
 Adjusted (BTUH)
L = Thermal Output Altitude
 Adjusted (BTUH)
M = Minimum Input Altitude
 Adjusted (BTUH)
N = Normal Manifold Pressure
 ("w.c.)
O = Minimum Gas Supply
 Pressure ("w.c.)
P = Maximum Air Throughput
 (CFM)
Q = Minimum Air Throughput
 (CFM)
R = Normal Input Sea Level
 (BTUH)
S = Thermal Output Sea Level
 (BTUH)
T = Minimum Input Sea Level
 (BTUH)
X = Pipe Diameter (inches)
Y = Maximum Combined Length
 (inches)

Serial No. Decoding - ALL Models BEFORE June, 2015

Serial No. Sample: BAA 66 H5 N 000000

Element Key No.: 1 | 2 | 3 | 4 | 5

Key: 1 = Date of Manufacture (See table below.)
 2 = Type of pilot system (see Form P-VALVES)
 3 = Type of gas valve (see Form P-VALVES)
 4 = Gas (N = natural; L = propane)
 5 = Consecutive number (identification only)

Serial No. Decoding - ALL Models AFTER June, 2015

Serial No. Sample: BOF 3060 000000

Element Key No.: 1 | 2 | 3

Key: 1 = Date of Manufacture (See table below.)
 2 = Plant of Manufacture (3060 = Mercer; 3062 = Monterrey)
 3 = Consecutive number

First Element of the Serial Number - Date of Manufacture

Year	Jan	Feb	Mar	Apr	May	June	July	Aug	Sept	Oct	Nov	Dec
1980	AFA	AFB	AFC	AFD	AFE	AFF	AFG	AFH	AFI	AFJ	AFK	AFL
1981	AGA	AGB	AGC	AGD	AGE	AGF	AGG	AGH	AGI	AGJ	AGK	AGL
1982	AHA	AHB	AHC	AHD	AHE	AHF	AHG	AHH	AHI	AHJ	AHK	AHL
1983	AIA	AIB	AIC	AID	AIE	AIF	AIG	AIH	AII	AIJ	AIK	AIL
1984	AJA	AJB	AJC	AJD	AJE	AJF	AJG	AJH	AJI	AJJ	AJK	AJL
1985	AKA	AKB	AKC	AKD	AKE	AKF	AKG	AKH	AKI	AKJ	AKK	AKL
1986	ALA	ALB	ALC	ALD	ALE	ALF	ALG	ALH	ALI	ALJ	ALK	ALL
1987	AMA	AMB	AMC	AMD	AME	AMF	AMG	AMH	AMI	AMJ	AMK	AML
1988	ANA	ANB	ANC	AND	ANE	ANF	ANG	ANH	ANI	ANJ	ANK	ANL
1989	AOA	AOB	AOC	AOD	AOE	AOF	AOG	AOH	AOI	AOJ	AOK	AOL
1990	APA	APB	APC	APD	APE	APF	APG	APH	API	APJ	APK	APL
1991	AQA	AQB	AQC	AQD	AQE	AQF	AQG	AQH	AQI	AQJ	AQK	AQL
1992	ARA	ARB	ARC	ARD	ARE	ARF	ARG	ARH	ARI	ARJ	ARK	ARL
1993	ASA	ASB	ASC	ASD	ASE	ASF	ASG	ASH	ASI	ASJ	ASK	ASL
1994	ATA	ATB	ATC	ATD	ATE	ATF	ATG	ATH	ATI	ATJ	ATK	ATL
1995	AUA	AUB	AUC	AUD	AUE	AUF	AUG	AUH	AUI	AUJ	AUK	AUL
1996	AVA	AVB	AVC	AVD	AVE	AVF	AVG	AVH	AVI	AVJ	AVK	AVL
1997	AWA	AWB	AWC	AWD	AWE	AWF	AWG	AWH	AWI	AWJ	AWK	AWL
1998	AXA	AXB	AXC	AXD	AXE	AXF	AXG	AXH	AXI	AXJ	AXK	AXL
1999	AYA	AYB	AYC	AYD	AYE	AYF	AYG	AYH	AYI	AYJ	AYK	AYL
2000	AZA	AZB	AZC	AZD	AZE	AZF	AZG	AZH	AZI	AZJ	AZK	AZL
2001	BAA	BAB	BAC	BAD	BAE	BAF	BAG	BAH	BAI	BAJ	BAK	BAL
2002	BBA	BBB	BBC	BBD	BBE	BBF	BBG	BBH	BBI	BBJ	BBK	BBL
2003	BCA	BCB	BCC	BBD	BCE	BCF	BCG	BCH	BCI	BCJ	BCK	BCL
2004	BDA	BDB	BDC	BDD	BDE	BDF	BDG	BDH	BDI	BDJ	BDK	BDL
2005	BFA	BFB	BFC	BFD	BFE	BFF	BFG	BFH	BFI	BFJ	BFK	BFL
2006	BGA	BGB	BGC	BGD	BGE	BGF	BGG	BGH	BGI	BGJ	BGK	BGL
2008	BHA	BHB	BHC	BHD	BHE	BHF	BHG	BHH	BHI	BHJ	BHK	BHL
2009	BIA	BIB	BIC	BID	BIE	BIF	BIG	BIH	BIJ	BIJ	BIK	BIL
2010	BJA	BJB	BJC	BJD	BJE	BJF	BJG	BJH	BJI	BJJ	BJK	BJL
2011	BKA	BKB	BKC	BKD	BKE	BKF	BKG	BKH	BKI	BKJ	BKK	BKL
2012	BLA	BLB	BLC	BLD	BLE	BLF	BLG	BLH	BLI	BLJ	BLK	BLL
2013	BMA	BMB	BMC	BMD	BME	BMF	BMG	BMH	BMI	BMJ	BMK	BML
2014	BNA	BNB	BNC	BND	BNE	BNF	BNG	BNH	BNI	BNJ	BNK	BNL
2015	BOA	BOB	BOC	BOD	BOE	BOF	BOG	BOH	BOI	BOJ	BOK	BOL
2016	BPA	BPB	BPC	BPD	BPE	BPF	BPG	BPH	BPI	BPJ	BPK	BPL
2017	BQA	BQB	BQC	BQD	BQE	BQF	BQG	BQH	BQI	BQJ	BQK	BQL
2018	BRA	BRB	BRC	BRD	BRE	BRF	BRG	BRH	BRI	BRJ	BRK	BRL
2019	BSA	BSB	BSC	BSD	BSE	BSF	BSG	BSH	BSI	BSJ	BSK	BSL
2020	BTA	BTB	BTC	BTD	BTE	BTF	BTG	BTH	BTI	BTJ	BTk	BTL

Blower Cabinet Rating Plate on Certified Packaged Units

MERCER, PA., U.S.A. 16137

PACKAGED DUCT FURNACE

FOR INDUSTRIAL/COMMERCIAL USE ONLY

DESIGN CERTIFIED FOR A.G.A REQUIREMENTS UNDER

[A] PACKAGED DUCT FURNACE STANDARD

MODEL [B] [C]

SERIAL NO. [D] HP

[E] VOLTS [E] PH [E] HZ MAXIMUM TOTAL INPUT [E] AMPS

IF EQUIPPED WITH REC OPTION, ADD [V] AMPS

EQUIPPED FOR OPERATION AT AN AIR FLOW OF [F] SCFM

AGAINST A STATIC PRESSURE OF [G] INCHES WATER COLUMN.
DRIVE NO. [H] WIRING DIAGRAM [I]

SEE MANUFACTURER'S INSTRUCTIONS FOR OTHER AIR FLOW CAPACITIES.

FILTERS, WHEN USED, MUST BE INSTALLED EXTERNAL TO THE HEATER CASING.

REFER TO THE RATING PLATE OF THE DUCT FURNACE FOR

ADDITIONAL INFORMATION.

Key to Blower Cabinet Plate

A = Standard

B = Model

C = Date of Manufacture

D = Motor Horsepower

E = Volts/Phase/Hertz/Amps

F = SCFM

G = Static Pressure (w.c.)

H = Drive AM Option Code

I = Wiring Diagram No.

Identification

Plate on

Blower

Cabinets

Manufactured

Prior to

Package

Certification

(see dates

below)

MODEL NUMBER	SERIAL NUMBER
DRIVE NO.	WIRING DIAGRAM NO.
CFM _____ AT _____ IN. W.C. MAX. E.S.P. AND _____ HP	_____ HP
VOLTS	PHASE HERTZ

HP Codes:

Single-Speed Motors		2-Speed Motors	
Code	HP	Code	HP
05	1	20	1/4.4
06	1-1/2	21	1.5/6.8
07	2	22	2/8.8
08	3	23	3/1.3
09	5	24	5/2.2
11	7-1/2	25	7.5/3.3
12	15	26	10/4.4
13	10		
14	20		

Date Series was Introduced or Re-certified (may affect parts selection)

Series changes indicate when that Model was recertified by the approval agency. The Series is identified in the Model No. of the unit. The number following the model of the heater is the series number (Example: SC300-6, "6" is the Series No.). Replacement parts may be affected by the introduction of a new series.

NOTE: Series 6 had significant changes. Replacement parts specific to Series 1, 3, and 5 are not listed in this manual and are no longer available.

Introduction - Month/Year (Serial No. Date Code) of Furnace Certification					
	Models	Series 1	Series 3	Series 5	Series 6
ANSI Std	SC	3/74 (ZC)	9/82 (AHI)	4/89 (AOD)	10/93 (ASJ)
	SCA	3/74 (ZC)	9/82 (AHI)	4/89 (AOD)	10/93 (ASJ)
	SCB	3/74 (ZC)	9/82 (AHI)	4/89 (AOD)	10/93 (ASJ)
	SCE	8/74 (ZH)	9/82 (AHI)	4/89 (AOD)	10/93 (ASJ)
	SSCBL	1/92 (ARA)			1/97 (AWA)
C.G.A. Std	SC	3/75 (AAC)	--	--	10/93 (ASJ)
	SCA	3/75 (AAC)	9/82 (AHI)	1/91 (AQA)	10/93 (ASJ)
	SCB	3/75 (AAC)	9/82 (AHI)	1/91 (AQA)	10/93 (ASJ)
	SCE	--	9/82 (AHI)	1/91 (AQA)	10/93 (ASJ)
	SSCBL				1/97 (AWA)

Model SSCDBL replacement parts are not specifically listed. Look for the equivalent SSCBL Model as listed below.

SSCDBL	Consists of:
800	(2) Model SSCBL 400 Packaged Systems
1000	(2) Model SSCBL 500 Packaged Systems
1200	(2) Model SSCBL 600 Packaged Systems
1400	(2) Model SSCBL 700 Packaged Systems
1600	(2) Model SSCBL 800 Packaged Systems

Model SSCDBL Configuration



Two BL Blower Cabinets - All Sizes



2 Furnace Sections - Size 800



4 Furnace Sections - Sizes 1000, 1200, 1400, 1600

NOTES: Manufacture of Models SCA and SCB was discontinued in 2001. Replacement parts are not listed in this manual and may not be available. If a part is needed, contact your distributor for availability. Manufacture of Model SCE was discontinued in 2011.

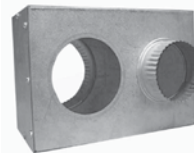
Replacement Parts Tag

Each unit may have a replacement parts tag that includes the Model No. and the Serial No. as well as a list of original common replacement parts. Always provide the full model and serial numbers when ordering replacement parts.

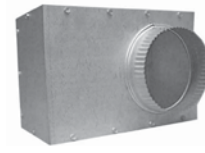
Vent Terminal/Combustion Air Intake Components - applies to all "SC" Series Models (one per furnace)

Code	Qty	P/N	Description
1	1	205883	Complete Horizontal Vent Terminal/Combustion Air Kit (Same as Option CC6) includes Codes 3, 4, 5, 6, 7, 10
2	1	205896	Complete Vertical Vent Terminal/Combustion Air Kit (Same as Option CC2) includes Codes 3, 4, 6, 8, 9, 10
Components:			
3	1	205885	Concentric Adapter Box Assy (CC2 & CC6)
4	2	207232	Concentric Adapter Box Bracket (CC2 & CC6) - not illustrated
5	1	205894	Inlet Guard for Horizontal (Option CC6)
6	4	37661	#10-16 x 1/2" lg Screws to attach CODE 5
7	1	53316	Screened Exhaust for Horizontal (Option CC6)
8	1	53330	Inlet Air Cap for Vertical (Option CC2)
9	1	110052	Exhaust Cap for Vertical (Option CC2)
10	1	53335	Tube of High Temperature (450°F) Silicone Sealant (not illustrated)

Code 3 - Concentric Adapter Assy for Separated Combustion Installation -- required on all Models



Heater Side



Terminal Side

Code 5 - Inlet Guard for Horizontal Inlet (replaces inlet screen)



Code 8 - Inlet Air Cap for Vertical Inlet



Code 7 - Screened Exhaust Cap for Horizontal Vent



Code 9 - Exhaust Cap for Vertical Vent

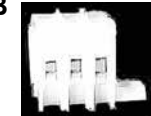


Electrical Components

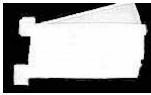
Locations - Control Side
(See parts illustrated on pages 4-7.)

Codes 12A and 12B

Terminal Block, P/N 144972



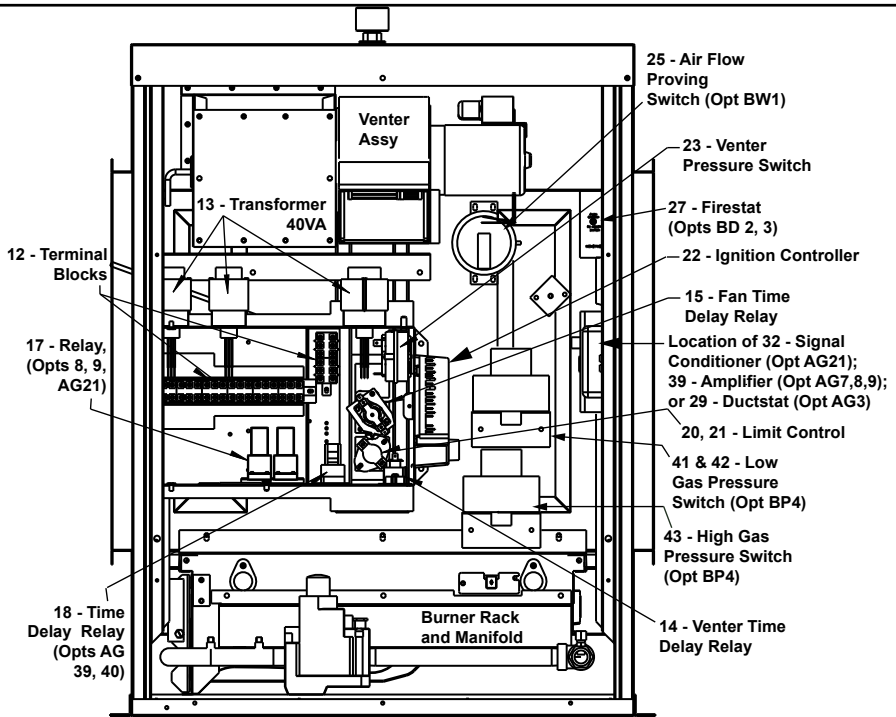
Terminal Block Adapter, P/N 144973



Code 13 - Control and Damper Transformers



P/N 103054, 115/24/20VA, Basler #BE121625-WAR
 P/N 103055, 115/24/40VA, Basler #BE141650-WAA
 P/N 103497, 208/230/24/40VA, Basler #BE2153900
 P/N 103498, 460/24/40VA, Basler #BE23975001



Code 14 - Time Delay Relay, P/N 259780



To replace time delay relay (P/N 46233 or 259518) used on product manufactured prior to 2/2010, order replacement kit, P/N 259521.

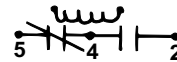
Code 15 - SPST Time Delay Relay (fan/blower control on units mfgd beginning 12/04), P/N 209164, Thermodisc I2S20-305131



For units manufactured prior to 12/04, the temperature activated fan control is no longer available. Order Replacement Kit, P/N 209184.

Code 16 - SPDT Relay, RBM 84-20103-301, P/N 18549

Same as Option BG3 & part of Option BG5



Code 17 - Relay, P/N 211411 and P/N 211415

For units manufactured prior to 9/2011, order a replacement kit, P/N 263527, to replace relay 14747, 98118. or 103317



Code 18 - Time Delay Relay, SPDT, 24V, Thermodisc 12S30, P/N 174810



Used in Option AG39 and AG40

Code 19 - Time Delay Relay, T & B Agastat TM1ULA, P/N 89661

Used in freestat circuit; used in Option AG39 and AG40 prior to 7/00



Limit Control and Limit Shield for SC Series 6

Code 20A - Limit Control, P/N 50417, opens 125°F; closes 105°F



Code 20B - Limit Control Shield, P/N 9704



Limit Control and Limit Shield for SCE Series 6

Code 20A - Limit Control, P/N 50418, opens 145°F; closes 125°F



Code 20B - Limit Control Shield, P/N 9704



Code 21A - Limit Controls used on Model SSCBL mfgd beginning 1/97 (for older units, see below)

Automatic Reset Limit Control with Linear Sensor, TOD #10HG11, P/N 148588



Automatic Reset Limit Control, TOD #60T11

Key: (Applies to both limit tables)

"BL" Blower Cabinet Air Flow →	Furnace #1	Furnace #2	Furnace #3
--------------------------------	------------	------------	------------

Furnace	Size 400	Sizes 500/600/800	Sizes 1050/1200
#1	50418, 145°F 148588, TOD #10HG11	50418, 145°F	50417, 125°F
#2		57953, 170°F 148588, TOD #10HG11	50418, 145°F
#3			57953, 170°F 148588, TOD #10HG11

Code 21B - Limit Controls and Shields used on Model Series SSCBL mfgd prior to 1/97 Limit Shields



Automatic Reset Limit Control, TOD #60T11



P/N 12229 P/N 9704 #60T11

Furnace	Size 400	Sizes 500/600/800	Sizes 1050/1200
#1	50418, 145°F 12229, Limit Shield	50418, 145°F 12229, Limit Shield	50417, 125°F
#2		57953, 170°F	19080, 155°F 9704, Limit Shield
#3			57953, 170°F

Code 22 - Ignition Controllers

Ignition Controller for Intermittent Spark Pilot System without Lockout, P/N 257009 (Serial No. Code 94)

To replace a previously used recycling ignition controllers without lockout (Serial No. Codes 62 and 66), order Replacement Kit, P/N 257472



Ignition Controller for Intermittent Spark Pilot System with Lockout, P/N 257010 (Serial No. Code 95)

To replace a previously used ignition controllers with lockout (Serial No. Codes 63, 65 and 84), order Replacement Kit, P/N 257473



Code 23 - Combustion Air Pressure Switch

For units mfgd beginning 7/04 (except SC Series models with Option AG 39, 40, 41, or 42 gas controls) for altitudes to 4000 ft, P/N 204327 setpoint 0.58 ± 0.05" w.c.; for altitudes above 4000 ft, P/N 204328, setpoint 0.52 ± 0.05" w.c.



For SC/SCE units mfgd beginning 7/04 with Option AG39 or 40 and 1st furnace of SSCBL with Opt AG41 or 42 gas controls, P/N 204325 for Sizes 100-225 or PN 204326 for SC/SCE Sizes 250-400 and SSCBL 400-1200.

For units mfgd between 12/91 and 7/04 (except SC Series Models with Option AG39/40/41/42 gas controls), for altitudes to 4000 ft, order replacement kit P/N 193810; for altitudes above 4000 ft, P/N 193811.

For SC/SCE units mfgd between 12/91 and 7/04 with Option AG39 or 40 and 1st furnace of SSCBL with Opt AG41 or 42 gas controls, P/N 193813 for Sizes 100-225 or PN 193812 for SC/SCE Sizes 250-400 and SSCBL 400-1200.

Code 24 - ECO Device, Micro #G5AP0201, P/N 131450

(Use P/N 82414 on Series 6 units manufactured prior to 12/99)

Mounting Plate, P/N 82633



Codes 25 - Blower Air Flow Switch, Tridelta FP6605, Normally Open Non-adjustable, Setpoint .175" w.c., P/N 112107

See page 26 for blower sensor probe.



(Air Proving Switch, Option BW1)

Code 26 - Summer/Winter Switch

(Used in Options BF4 and CH1)



P/N 98148 (6 Amp) - SCE 125-200

P/N 8338 (10 Amp) - SCE 225-400

Code 27 - Firestat, Honeywell

#L4029E 1029, Manual reset opens at 200°F, P/N 42782

Firestat Gasket, P/N 121041

(used when firestat is used w/o cover)

Firestat Shield, P/N 120021 (discharge firestat only)



Code 28 - Freezestat, J/C #A19AAF-12C, 25-225°F, P/N 126170, (replaces P/N 16108)

Bulb Clamp, P/N 100260

Grommet Clamp, P/N 131993

Cable Clamp, P/N 132065



Code 28 - Two-Stage Ductstat, Honeywell T678A1015, P/N 41700

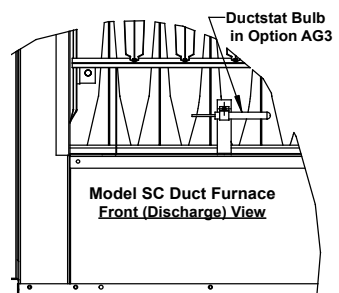
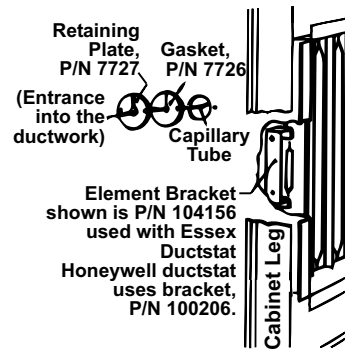


55-58°F, Capillary Length 5' - Used in Gas Control Options AG3, AG4, and AG5

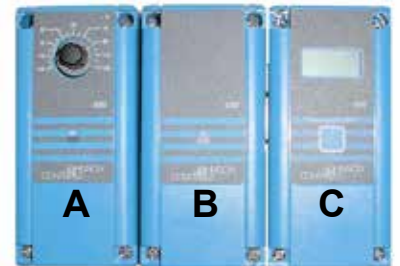
Bulb Holder, P/N 100260

Cable Strap, P/N 16227

Discharge Sensor Location - one of the locations below.



Code 30A - Remote Ductstat Modules Used in Gas Control Options AG15, AG16, AG17, AG18, AG19, AG20



A = Ductstat Temperature Selector Module, J/C A350AA-1C, P/N 115848

B = Stage Adder Module, J/C S350AA-1C, P/N 115849

C = Digital Temperature Display Module, J/C D350AA-1C, P/N 115852

Code 30B - Ductstat Sensor and Holder for Code 30C Remote Ductstats

Ductstat Sensor only, #A99BC-25C, P/N 115851, (part of P/N 115848 below)



Electrical Components (cont'd)

Code 31 - Discharge Sensor for Modulating Gas Control Options

P/N 48041, Maxitrol TS-121, for Options AG8 and AG9
P/N 133228, Maxitrol TS-194, for Option AG39 and AG41



Gasket, P/N 104138

Code 32 - P/N 134170, Signal Conditioner for Modulating Gas Control Options AG21 and AG40



Codes 33 and 34 - Fuse and Fuseholder

Fuse Holder, P/N 60241



Fuses:

8 Amp, P/N 201773
3 Amp, P/N 201780
3 Amp, P/N 201803

Code 35 - Convenience Outlet Receptacle (Option BC2), P/N 96912



Code 36 - Motor Contactor, 24V Coil, P/N 216386

(replaces P/N 93661 & P/N 119625 on SSCBL)

P/N 122376 (replaces P/N 93661 & 119625 on SCE)

For blower motor starters, see pages 13-16 and 16-20.



Code 37 - Temperature Control, J/C #A19ABC-24, -30 - 100°F, used in Gas Control Option AG41 and AG42 on Model SSCBL, P/N 197204



Code 38 - Reverse Flow Limit, #60T11-313154, P/N 103323

Bracket, P/N 18795



Code 39 - Amplifiers for Modulating Gas Control Options

Kit P/N 262320 replaces A1010B Amplifier, P/N 48035, used in Maxitrol 21HR (Option AG9) and 20AH (Option AG7) Systems and 1011F Amplifier, P/N 48036, in Maxitrol 30AH (Option AG7) and 31HR (Option AG9) Systems



Amplifier, Maxitrol A1010U, P/N 260863, in Replacement Kit P/N 262320

Kit P/N 262321 replaces A1010F Amplifier, P/N 48037, used in Maxitrol 21H (Option AG8) Systems and A1011F Amplifier, P/N 48038, used in Maxitrol 31H (Option AG8) Systems



Amplifier, Maxitrol AD1010U, P/N 260864, in Replacement Kit P/N 262321

P/N 174848, Maxitrol A1092, used in Option AG39, AG40, AG41, and AG42



Code 40 - Remote Temperature Selectors for Modulating Gas Control Options

P/N 48042, Maxitrol TD121, used in Opt AG9



P/N 174849, Maxitrol TD92-0509, used in Options AG 39, 40, 41, 42



Codes 41, 42, 43 - Gas Pressure Switches

Codes 41 & 42 - Low Gas Pressure Switch, P/N 93849 Natural Gas (Range 1-6" w.c.); P/N 149176 Propane (Range 6-24" w.c.)

Automatic Reset, Settings - 50% of minimum inlet gas pressure as stated on the unit rating plate

Code 43 - High Gas Pressure Switch, P/N 93850

Manual Reset, Settings - 125% of normal manifold gas pressure as stated on the unit rating plate

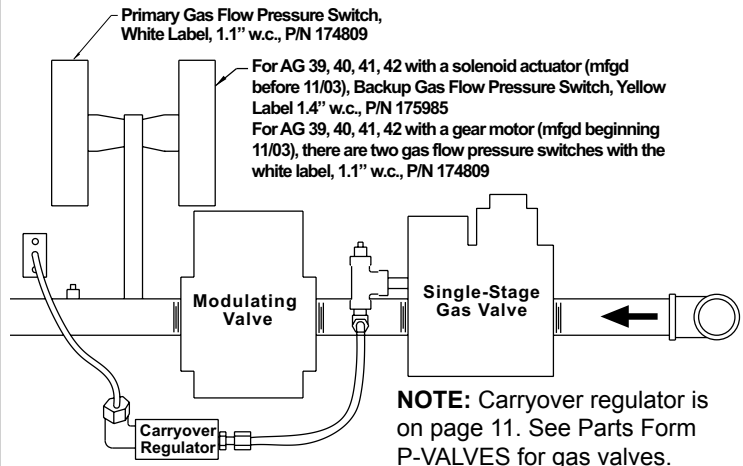
Vent Limiter, Maxitrol A1209, P/N 123481



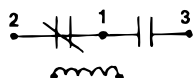
Bracket, P/N 100261



Code 44 - Gas Pressure Switches used in Gas Control Options AG39, AG40, AG41, AG42



Code 45 - 2-Speed Motor Speed Selector Relay, Essex 91-102006-1300, 24V, P/N 110656



Codes 46 - Control and Damper Transformers, 200 & 300 VA



P/N 105202, 575/115/300VA - Use on 115V furnace
P/N 39095, 230/460/575-24-200VA
P/N 39094, 208/24/200VA

Code 47 - Dirty Filter Pressure Switch, Tridelta AP4434, P/N 105507



Field adjustable; range .17 to 5.0" ± .05" w.c.

Code 48 - KVA Transformer

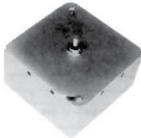


* Special order



KVA	Primary			
	200/208	220/240 440/480	277	575
.25	19807	11279		113556
.50	19808	11100	14993*	
.75	24453*	11217	14994*	
1.0	24454*	16065	14995*	
1.5	24455*	24392*	14996*	
2.0	24456*	26628*	14997*	
3.0	24465*	26630*	14998*	
5.0	24466*	26631*	15003*	

Code 50 - Toggle Switches


P/N 40277, DPDT, 3-Position Toggle Switch in a 4x4 box
(Same as Option CN1)




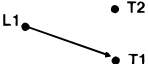
P/N 101900, DPDT, 3-Position Toggle Switch (replaces P/N 21826) - Used in Option CN1 and Remote Console Options RC 5, 6, 7, 8, 10, 11, and 12


P/N 39733, SPDT, 2-Position Toggle Switch in a 2x4 box
(Same as Option CN3)




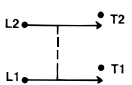
P/N 101901, DPST, 2-Position Toggle Switch (replaces P/N 1052) - Used in Options CN3, CN4, and Remote Console Options RC 3, 4, 7, 8, & 11

P/N 39732, DPST, 2-Position Toggle Switch in a 2x4 box
(Same as Option CN2)


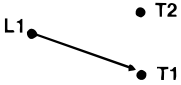


P/N 101902, DPST, 2-Position Toggle Switch (replaces P/N 16816) - Used in Options CN2, AG3, AG8, AG9 and Remote Console Option RC12

P/N 39748, SPST, 2-Position Toggle Switch in a 2x4 box
(Same as Option CN4)

NOTE: When replacing SPST switch with SPDT switch, make wiring connections at appropriate two terminals for switch to function properly.









Code 51 - Disconnect Switches



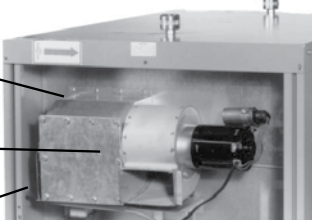
Description	P/N's - U.S.		P/N's - Canada	
	Indoor	Same as Opt	Indoor	Same as Opt
30 Amp 240V Non-Fusible	40267	CP1		
30 Amp 240V Fusible (less fuses)	40268	CP2		
30 Amp 600V Non-Fusible	50365	CP3	208053	CP58
30 Amp 600V Fusible (less fuses)	50366	CP4	208046	CP41
60 Amp 240V Non-Fusible	161462	CP21		
60 Amp 240V Fusible (less fuses)	161459	CP17		
60 Amp 600V Non-Fusible	161464	CP23	208055	CP60
60 Amp 600V Fusible (less fuses)	161461	CP20	208047	CP43
100 Amp 240V Non-Fusible	161463	CP22		
100 Amp 240V Fusible (less fuses)	90973	CP18		
100 Amp 600V Non-Fusible	164330	CP24	208057	CP62
100 Amp 600V Fusible (less fuses)	155010	CP36	208049	CP45

Code 52 - Thermostats (Wall mounted Option CL; or mounted on the remote console, Opt RCT, see Code 57)

<p>1-Stg Heat/Cool, 24v snap acting thermostat (50-90°F) with fan auto-on & cool-off-heat switches</p>  <p>P/N 255350 (same as CL1 & RCT1)</p>	<p>2-Stg Heat/Cool, 24v digital thermostat (40-90°F) with fan auto-on function</p>  <p>P/N 220630 (same as CL22 & RCT2)</p>	<p>Electronic modulating room override (60-85°F), low voltage for makeup air</p>  <p>P/N 24857 (same as CL9)</p>	<p>1-Stg Heat/Cool, 24v programmable thermostat (45-88°F) with fan auto-on and cool/off/heat.</p>  <p>P/N 220632 (same as CL52 & RCT9)</p>	<p>Electronic, 24v programmable thermostat, 2-stg heat and/or cooling</p>  <p>P/N 221038 (same as CL33 & RCT5)</p>
---	--	---	--	---

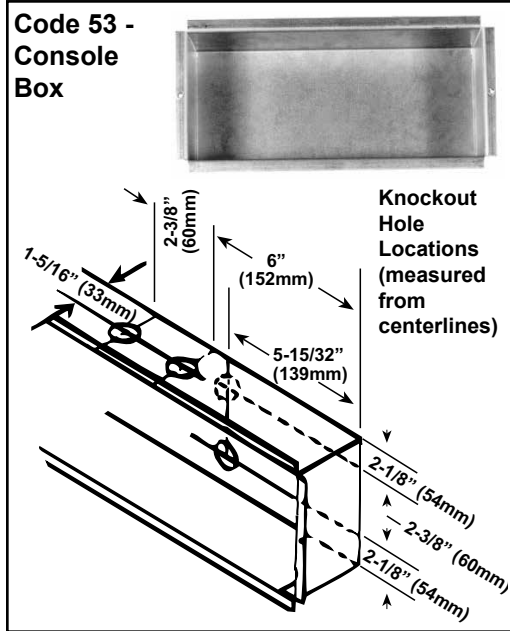
Optional Remote Console

Optional RC style remote console includes a mounting ring so that the console may be either recessed or wall mounted. The box is of 16 gauge steel with knockout holes for field wiring. The cover is made of plastic with custom engraving. Order replacement parts for Option RC remote console by P/N.



Code	Description	P/N
53	Remote Console Box - 10-1/16x6-5/8x2-5/8	107010
	Remote Console Box - 15-1/16x6-5/8x2-5/8	107011
54	Mounting Ring for 10-1/16" long box	107014
	Mounting Ring for 15-1/16" long box	107015
55	Light for Red Lens, Solico #5TD1L-R-B5	101889
56	SPDT Switch, Cutler Hammer #7505K6	101901
	DPDT Switch, Cutler Hammer #7561K6	101900
57	Single-Stage Heating Thermostat	255350
	Two-Stage Heating Thermostat	220630
	Single-Stage Heating/Cooling Thermostat	220632
	Two-Stage Heating/Cooling Thermostat	221038
58	Potentiometer (See CODE 371, page 28)	16110

Remote Console (cont'd)



Remote Console Components by Option - Options RC1-RC12

Component	Function	In Opt RC	Code
Blower ON Light	Lights when blower is operating	1-12	55
Burner ON Light	Lights when burners are lit	1-12	55
Dirty Filter Light	Lights when the pressure switch indicates that filters need to be cleaned or replaced	2, 4, 6, 8, 12	55
On/Off Control Switch	ON position energizes the unit for thermostat control. OFF position de-energizes the unit and closes optional automatically controlled outside air dampers.	3, 4, 7, 8, 11, 12	56
Summer/Winter/Off Control Switch	Summer position energizes the blower only. "Winter" position energizes the unit for thermostat control. "Off" position de-energizes the unit and closes optional automatically controlled outside air dampers.	5, 6, 10	56
Heat/Vent/Cool Control Switch	Heat position energizes the unit for thermostat control. Vent position energizes the blower & opens automatically controlled outside air dampers. "Cool" position energizes blower, dampers, and cooling unit.	7, 8, 11, 12	56
Cooling Light	Lights when cooling system is operating	7, 9, 11, 12	55

Console Dimensions (wall mounted - not recessed)

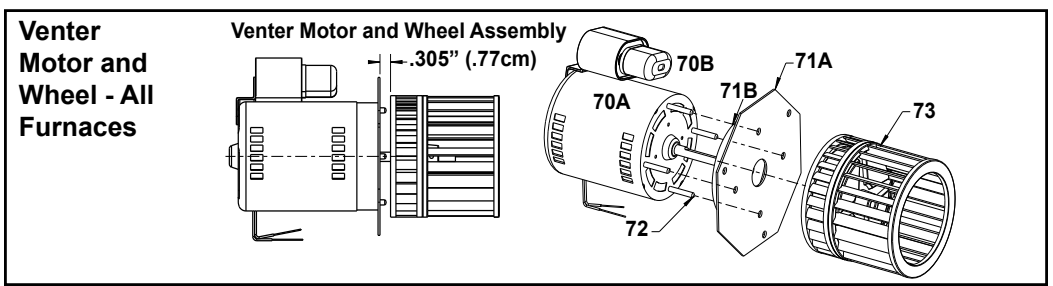
Console Options	Optional Control	Length*	Height*	Depth
RC 1, 2, 3, 4, 5, 6, 7, 8, 9, 10, 12	without	10-3/4"	7-5/8"	2-5/8"
RC 1, 2, 3, 4, 5, 6, 9	with	10-3/4"	7-5/8"	2-5/8"
RC 7, 8, 10, 12	with	15-3/4"	7-5/8"	2-5/8"
RC 11	with & without	15-3/4"	7-5/8"	2-5/8"

* Subtract 5/8" from length & 1" from height when recessing console (not using wall-mounting ring)

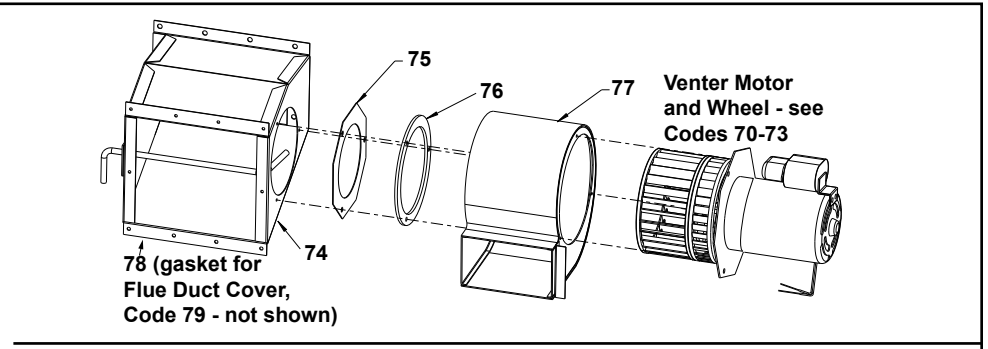
Code 60 - Illinois School Code - Special Manifold
Option BM12 includes a Remote Console with Alarm Bell and Silencing Buttons

60A - Console Box, P/N 107010
60B - Light, P/N 101889
60C - Switch, P/N 110130
60D - Alarm Bell, P/N 110131

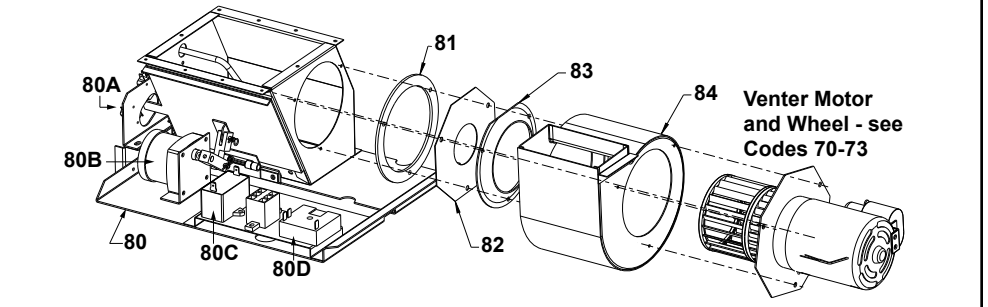
Venter and Flue Duct Parts - All Models



Flue Duct and Venter Parts for all SC/SCE units that do not have 20-100% electronic modulation Option AG 39 or 40; all furnaces in an SSCBL unit without Option AG 41 or 42; and 2nd and 3rd furnaces in an SSCBL unit with Option AG41 or AG42.

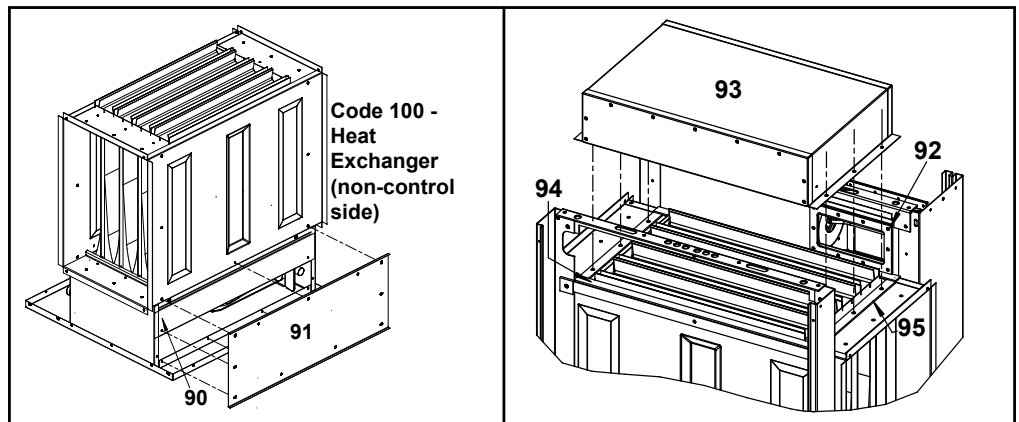


Flue Duct and Venter Parts for single furnace with 20-100% electronic modulation Option AG39 or AG40 and the first furnace in multiple furnace units with Option AG41 or AG42.



Code	Description	SSCBL						500	600	700/1050	400/800/1200	
		SC, SCE	100	125	150	175	200	225	250	300	350	400
70	Venter Motor and Capacitor	115V, AK1	163891 (replaces 131410)									
		208/230V, AK2,3,5,6	163892 (replaces 131415)									
		460V, AK 7, 9	163893 (replaces 165986)									
71	Venter Motor Mounting Plate Assembly (includes plate and support ring)	125344 (includes plate, P/N 125347, and support ring, P/N 125346)								125345 (includes plate 125348 & support ring 125346)		
72	Nuts (Keys)	(4) 31522										
73	Venter Wheel,	43425								43814		
74	Flue Duct with Sensing Tube	125341										
75	Venter Restrictor Plate	w/aluminized heat exchanger	125855	125856	125857	125858	125859	68386	68388	43259	43260	68399
		w/stainless steel heat exchanger	125855	43254	125857	43257	125859	43258	68388	68392	125862	125863
76	Venter Gasket	44695										
77	Venter Housing	68380								68397		
78	Flue Duct Cover Plate Gasket	41996										
79	Flue Duct Cover Plate (not illustrated)	41995										
80	Flue Duct Restrictor and Gear Motor (includes 80 A, B, C, D)	For SC/SCE with Option AG 39 or 40, and 1st furnace of SSCBL with AG 41 or 42 mfgd beginning 11/2003	195117								■	195118
80A	End Switch		(2) 174812								■	(2) 174812
80B	Gear Motor		206144								■	206144
80C	Gear Mtr Capacitor		217031								■	217031
80D	Time Delay Relay		206146								■	206146
81	Venter Gasket	44695										
82 or 83	Venter Restrictor Plate (Sizes 100-250) or Inlet Ring (Sizes 300 & 400)	175786	68388	68386	68390	43260	175787	43260	62594	■	62594	
84	Venter Housing Assembly	68380								■	68397	
85	Replacement Gear Motor Kit (to replace solenoid actuator)	208474								■	208475	
86	Replacement Solenoid Actuator only (select by voltage - same apply to Sizes 400/800/1200)	For SC/SCE with Option AG 39 or 40, and SSCBL with AG 41 or 42 mfgd before 11/2003	208474 (replaces 174847 (460V))								■	208475 (replaces 174847)
			208474 (replaces 174846 (208/230V))								■	208475 (replaces 174846)
			208474 (replaces 174814 (115V))								■	208475 (replaces 174814)

Interior Cabinet Parts and Heat Exchanger - All Models



Code	Description	SSCBL						500/600	700/ 1050	400/800 /1200
		SC/SCE	100	125	150/175	200/225	250/300	350	400	
90	Burner Rack Back Brace	9525								
91	Rear Seal Plate	38616								
92	Outlet Duct Gasket (2)	31900								
93	Flue Collection Box Assembly	125264	125265	125266	125274	125275	125276	125469		
94	Side Gasket (2)	62933								
95	Front and Rear Gasket (2)	62921	62922	62924	62926	62928	62930	62932		

Heat Exchanger - Applies to all Models (one heat exchanger per furnace section; directional baffles apply as listed)

Heat Exchanger Directional Air Baffles (page 10)

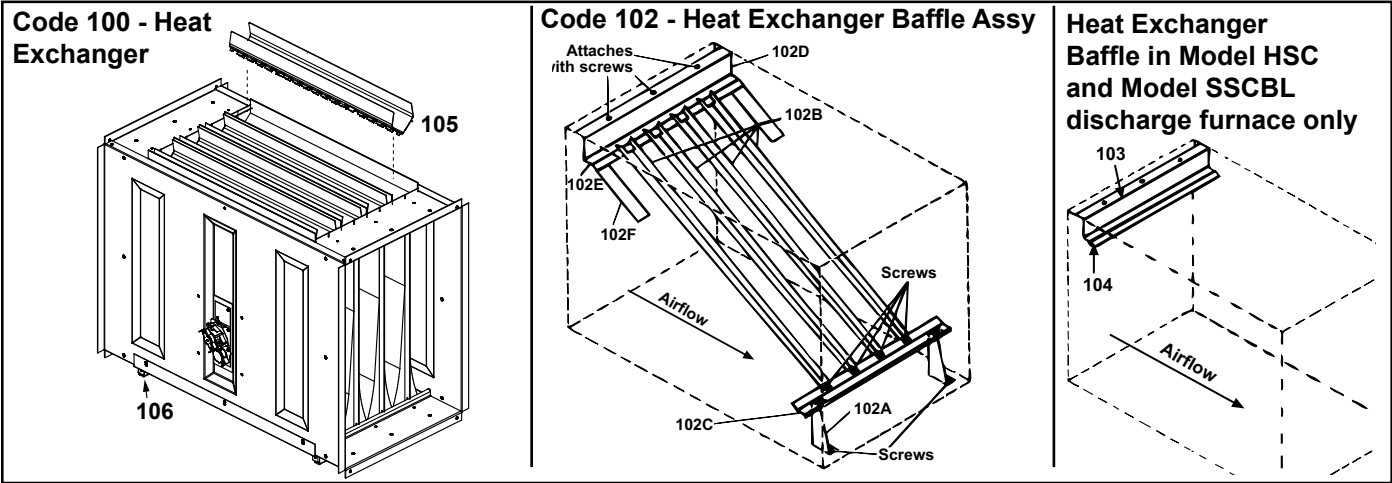
Directional air baffles cannot be installed in the replacement heat exchanger at the factory. They must be ordered separately and installed in the field.

1) Model SC is equipped with a heat exchanger directional air baffle assembly (Code 102) as illustrated on page 10.

When replacing a heat exchanger, check to see if the baffle assembly can be salvaged. If the baffle assembly cannot be salvaged, order and install a replacement.

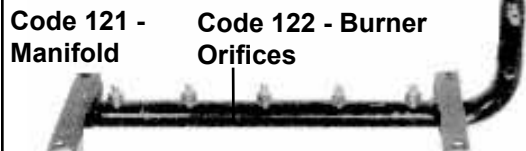
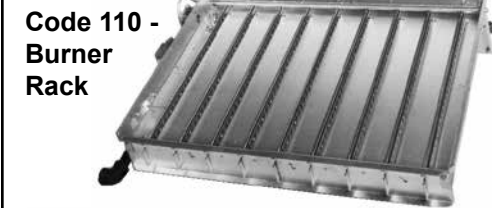
2) Model HSC and the discharge furnace only on a Model SSCBL are equipped with only a rear top baffle support (Code 103) and a rear top baffle (Code 104). If these parts cannot be salvaged, order and install replacements.

Heat Exchanger (cont'd)



Code	Description	SSCBL								
		SC, SCE	100	125	150/175	200/225	500/600	700/1050	400/800/1200	
100	Heat Exchanger for SC, SCE, SSCBL (replacement gaskets, Code 101, required)	Aluminized Steel	1	44301	44304	44307	44310	44313	44316	44319
		409 Stainless Steel	1	44302	44305	44308	44311	44314	44317	44320
101	Heat Exchanger Gaskets for SC, SCE, and SSCBL (required w/replacement heat exchanger)		2	62921	62932					
102	Heat Exchanger Baffle Assembly		1	55094	55095	55096	55097	55098	55099	55100
102A	Finger Baffle Support Bracket		>	(2)	(2)	(2)	(2)	55101 (4)	(4)	(4)
102B	Finger Baffle		>	(3)	(4)	(6)	(8)	(11)	(13)	(15)
102C	Bottom Baffle Support		1	46478	46484	46489	46494	46499	46504	46509
102D	Rear Top Baffle Support		1	55103	55104	55106	55108	55110	55112	55114
102E	Rear Top Baffle		1	55116	55117	55119	55121	55123	55125	55127
102F	Side Finger Baffle		2	55128	55128	55128	55128	55128	55128	55128
103	Rear Top Baffle Support	All HSC & SSCBL	1	55103	55104	55106	55108	55110	55112	55114
104	Rear Top Baffle	discharge unit only	1	55228	55229	55231	55233	55235	55237	55239
105	Heat Exchanger Tube Baffles ("V" with Turbulators)			(4)	(5)	(7)	(9)	125170 (12)	(14)	(16)
106	Burner Rack Slide Rail		2	9897	9857	9819	9781	9745	9709	9517

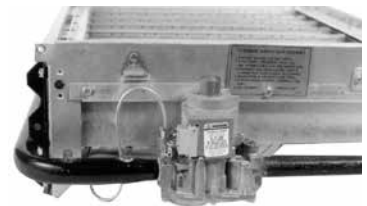
Burner Rack and Components - Applies to all Furnaces (one per furnace section)



Code 122 - Burner Orifices (sea level)

SSCBL		500	600	700/1050	400/800/1200						
SC/SCE		100	125	150	175	200	225	250	300	350	400
	Qty	4	5	7	7	9	9	12	12	14	16
Natural Gas	P/N	11792	84437	11833	84437	11828	84437	11833	84437	84437	84437
	Drill	#41	#42	#44	#42	#43	#42	#44	#42	#42	#42
Propane	P/N	61652	61652	11830	61652	11830	61652	11830	61652	61652	61652
	Drill	1.45 MM	1.45 MM	#55	1.45 MM	#55	1.45 MM	#55	1.45 MM	1.45 MM	1.45 MM

Series 6 Natural Gas Burner Rack with two flash carryovers (one on each end) Gas Valve - See Form P-VALVES

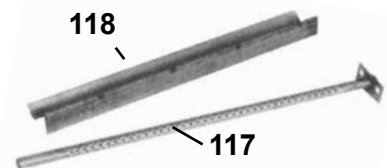


Series 6 Propane Gas Burner Rack with air shutters and a regulated carryover with carryover tube and drip shield. (has a flash carryover on the end opposite the orifices)



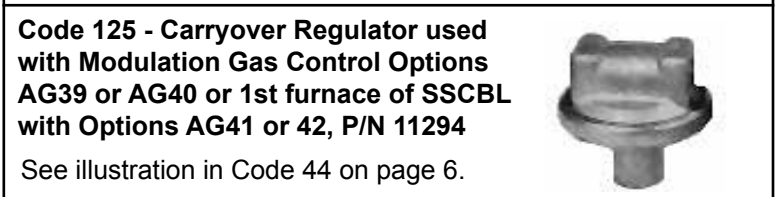
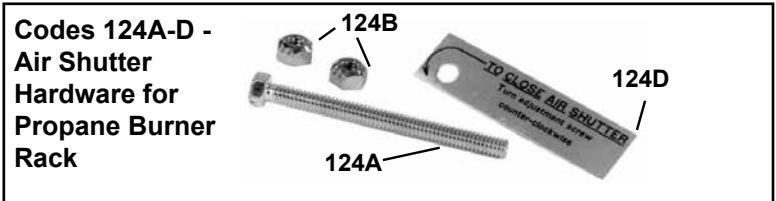
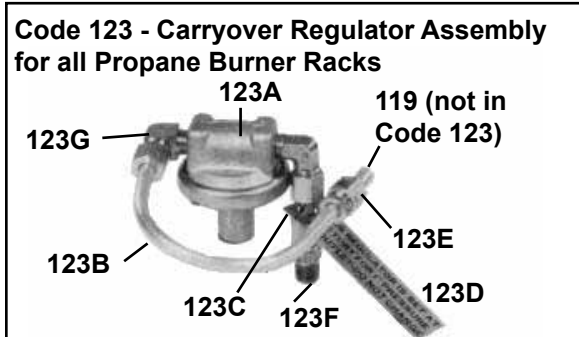
Gas Valve - See Form P-VALVES

Codes 117 and 118 - Carryover Tube and Drip Shield for Burner Rack



Code	Description	SSCBL				500/600	700/1050	400/800/1200		
		SC/SCE	100	125	150/175	200/225	250/300	350	400	
110	Burner Rack with Aluminized Steel Burners for natural gas (includes main burners, two flash carryovers, aeration panel, burner rack skirt and auxiliary sensing probe)	SC, SCA, SCB, SCE, SSCBL Series 6 (If unit has Gas Control Option AG39, AG40, AG41, or AG42 see below)	125287	125288	125289	125290	125291	125292	125293	
	Burner Rack with Stainless Steel Burners for natural gas (includes main burners, two flash carryovers, aeration panel, burner rack skirt, and auxiliary sensing probe)		131995	131996	131997	131998	131999	132000	132001	
	Burner Rack with Aluminized Steel Burners for propane gas (includes main burners, one flash carryover, aeration panel, regulated carryover lighter tube, air shutters, burner rack skirt, and auxiliary sensing probe)		125698	73749	73751	73754	73757	73760	73762	
	Burner Rack with Stainless Steel Burners for propane gas (includes main burners, one flash carryover, aeration panel, regulated carryover lighter tube, air shutters, burner rack skirt, and auxiliary sensing probe)		132067	132068	132069	132070	132071	132072	132073	
	Replacement burner rack for Models SC, SCE, SSCBL with 20-100% modulation with Option AG39 or AG40 or 1st furnace of Model SSCBL with Option AG41 or AG42, natural gas only, is the same stainless steel burner rack as used with propane gas.		132067	132068	132069	132070	132071	■	132073	
111	Main Burner Tube only	Qty	(4)	(5)	(7)	(9)	(12)	(14)	(16)	
		Aluminized	85218							
		Stainless Steel	87954							
112	Flash Carryover (one piece)	Series 6 natural gas have 2 per burner rack; Series 6 propane & all Series 3 & 5 have 1 per burner rack	63128	63131	63138	■	■	■	■	
113	Flash Carryover Right Section		■	■	■	63148	63141	63148	63152	
114	Flash Carryover Left Section		■	■	■	63144				
115	Flash Carryover Center Section		■	■	■	63156	68071			
117	Carryover Lighter Tube (Tube only)	Series 6 Propane only	9899	9859	9821	9783	9747	9711	9520	
118	Carryover Lighter Tube Drip Shield		15015	15014	15013	15012	15011	15010	14957	
119	Carryover Orifice (NOTE: Series 6 Natural Gas does not have a carryover lighter tube except for heaters with 20-100% modulation, Options AG 39, 40, 41, or 42)	Propane - all	P/N	9870		9680		10370	38274	
			Drill	(70)		(65)		(59)	(57)	
		Natural Gas with/Opt AG 39 or 40 or 1st furnace of SSCBL with Opt AG 41 or 42	P/N	9870		9680		10370	■	9791
			Drill	(70)		(65)		(59)		(56)
120	Burner Rack Isinglass		(2) 10756							
121	Manifold (less orifices)		86338	86339	86340	86342	86343	86344	86345	
122	Burner Orifices -- see chart on bottom of page 10.									

Regulated Carryover & Air Shutters - Propane Burner		
Code	Description	All Sizes
123	Regulated Carryover Assembly - Propane (includes Codes 123A-K)	100712
123A	Carryover Regulator, Maxitrol RV-12, Propane Gas	11294
123B	Carryover Regulator Tubing 1/4x5-1/2"	9681
173C	Carryover Regulator Tubing 1/4x1-1/4"	11892
123D	Carryover Regulator Tag	11935
123E	Carryover Regulator Fitting (Compression Fitting)	9664
123F	Carryover Regulator Fitting, Regulator to Manifold	1436
123G	Carryover Regulator Fitting, 90° Brass Elbow	(2) 18224
124A	Air Shutter Adjustment Screw, 1/4-20 x 2-1/2" long	10653
124B	Air Shutter Screw Nut, 1/4" -20	10650
124C	Air Shutter Slide Tinnerman Nut, 1/4"-20 (not illustrated)	10651
124D	Air Shutter Adjustment Instruction Tag	11934

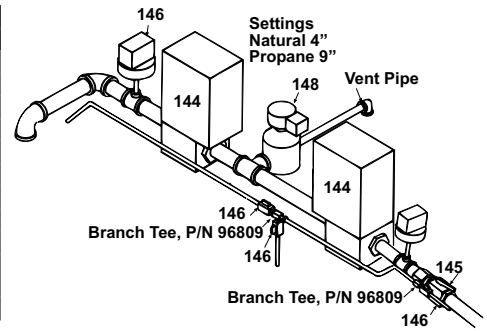


Code 126 - Manual Gas Valves - All Furnaces (Reference: For electric gas valves, see Form P-VALVES. Electric gas valves are identified from the heater Serial No.; see page 2.)

Pilot Shutoff Valve, P/N 3284 	Ball Valve Adapter 1", P/N 110758; 1-1/4", P/N 110759; 1/2", P/N 120373; 3/4", P/N 120169	125 PSIG Gas Valve 1", P/N 159725; 1-1/4", P/N 159729
Aluminum Shutoff Valves 1/2", P/N 196910, with Union, P/N 15971; 3/4", P/N 196911, with Union, P/N 15972 		

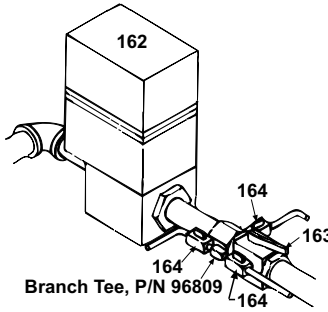
Codes 144-161 - IRI, Option BM13 (applies to Model SSCBL 1050 and 1200) - DISCONTINUED 9/2003

Code	Description	P/N	Code	Description	P/N
Components for IRI Manifold (Option BM13)					
144	Fluid Power Valve	(2)89356	154	Transformer 230/460 to 115V, .5KVA	86997
	Fluid Power Valve Actuator	(2)86993		Transformer 208 to 115V, .5KVA	86998
145	Low Gas Pressure Switch, pg 6, Code 41 or 42.			Transformer 208 to 115V, 250VA	86991
146	High Gas Pressure Switch, page 6, Code 43.			Transformer 230/460/575 to 115V, 300VA	105202
147	Vent Limiter, Maxitrol A1209, pg 6	(2)123481	155	Pilot Regulator	(3)86965
148	Vent Solenoid Valve	86996	156	Valve Box Top	110194
149	Pilot Valve (one per unit)	25787	157	Valve Box Inlet Side	110195
150	Manual Shutoff & Ball Valve Adapter, page 11		158	Valve Box Plain Side	110196
151	Pilot Manual Shutoff (1 per unit), page 11		159	Valve Box Back	110197
152	RBM Relay - Order Replacement Kit, P/N 263527.		160	Top Door	110198
153	Pilot Valve Bracket	(2)100262	161	Bottom Door	110199



Code	Description	P/N
Components for FM Manifold (Option BM14 is available on Model SSCBL)		
162	Fluid Power Valve	89356
	Fluid Power Valve Actuator	86993
163	Manual Shutoff and Ball Valve Adapter, page 11	
164	Pilot Manual Shutoff (one per unit), page 11	
165	Pilot Valve (one per furnace)	25787
166	Pilot Valve Bracket	100262
167	Pilot Regulator	86965
168	Transformer 230/460/575 to 115V, 300VA	105202
	Transformer 208 to 115V, 250VA	86991
169	Valve Box Top	110211
170	Valve Box Inlet Side	110195
171	Valve Box Plain Side	110196
172	Valve Box Back	110212
173	Top Door	110213
174	Bottom Door	110214

Codes 162-174 - FM, Option BM14 (applies to Model Series SSCBL)



Codes 136, 137, 149, 165 - Solenoid Valve

- 1/4", P/N 25787
- 3/4", P/N 88242
- 1", P/N 112922



Code 138, 153, 166 - Pilot Valve Bracket in Options BM12, BM13, BM14, P/N 100262



Codes 144 and 162



P/N 86993 Actuator (M/H V4055A1007)



Valve only (used with actuator on the right)

Size	Gas	P/N	M/H
1"	N or P	86992	V5055A1004
1-1/4"	N or P	89356	V5055A1012
2"	N or P	91079	V5055A1038

Code 148 - Vent Valve, G/C #S262, P/N 86996



Codes 155 and 167 - Pilot Regulator, Maxitrol R400S, P/N 86965



Springs for R400S Pilot Regulator			
Maxitrol #	Color	Pressure Range	Approx Length.
R400B10-13	Brown	1.0 to 3.5" w.c.	1-9/16 to 2"
R400B10-25	Cadmium Plate	2.0 to 5.0" w.c.	1-9/16 to 2"
R400B10-36	Cadmium Plate	3.0 to 6.0" w.c.	1-9/16 to 2"
R400B10-38	Pink	3.0 to 8.0" w.c.	1-9/16 to 2"

Replacement Blower Motors, Starters, and Variable Frequency Drives - BEFORE APRIL 1, 2013

Replacement Motors (Tables on pages 14-16)

Motors in the Open, TEFC, and Premium Efficiency tables that are **highlighted** in gray **do not** have internal overload protection and **must** be used with the motor starter and overload listed in the table. Refer to the wiring diagram for applicable AL and AN or VFD option codes. See **Code 36**, page 6, for standard motor contactor (Option AN2), **P/N 216386** (for SSCBL) & **P/N 122376** (for SCE), for motors with internal overloads. If equipped with an optional variable frequency drive, see P/N's on the right.

Replacement IEC Starters and Overloads (Listed by motor on pages 14-16.)

When ordering a replacement IEC starter (contactor) or overload, check the manufacturer's number on both parts. If the number is different than that listed, both components must be replaced. IEC Starter (contactor) and overload are mounted on rail, **P/N 111387**. Replacement holding coils are listed on page 17. If the motor has a NEMA starter, see replacement information on page 16.



Variable Frequency Drive (Option VFD) and Matching Line Reactor



Mtr HP	VFD Drive & Matching Line Reactor	208/1/60		208/3/60			480/3/60			575/3/60		
		ODP	TEFC	ODP	TEFC	Prem	ODP	TEFC	Prem	ODP	TEFC	Prem
1/2	Drive	221600	221605	N/A	221612	N/A	221590	N/A	N/A	N/A	N/A	
	Line Reactor	221595	221598									
3/4	Drive	N/A	221606	N/A	221613	N/A	221591	N/A	N/A	N/A		
	Line Reactor		221598									
1	Drive	221601	221607	221614	221592	N/A	N/A	N/A	N/A	N/A		
	Line Reactor	221596	221594									
1-1/2	Drive	221602	221608	221615	221593	N/A	N/A	N/A	N/A	N/A		
	Line Reactor	221597	221595									
2	Drive	221603	221609	221616	221585	N/A	N/A	N/A	N/A	N/A		
	Line Reactor	221597	221596	221585								
3	Drive	221604	221610	221617	221586	N/A	N/A	N/A	N/A	N/A		
	Line Reactor	221599	221597									
5	Drive	N/A	221611	221618	221857	N/A	N/A	N/A	N/A	N/A		
	Line Reactor		221599	221587								

Replacement Blower Motors and Starters - *BEFORE APRIL 1, 2013* (Line Voltage Coils)

Type	HP	AL	Open Motor					Frame Size	Service Factor	Power Factor	Starter (AN10)		Starter Overload			
			Mfr's #.	P/N	fla	volt	ph				Mfr #	P/N	Mfr #	min	max	P/N
Open	1/4	2	BF2024	210611	4.6	120	1	48/56	1.35		CL00A310T-J	151146	RTA1-L	4.00	6.30	151191
			BF2024	210611	2.3	208	1	48/56	1.15	63	CL00A310T-L	151150	RTA1-J	1.90	2.70	151189
			BF2024	210611	2.3	240	1	48/56	1.15	63	CL00A310T-S	151147	RTA1-J	1.90	2.70	151189
			M3003	115864	1.1	208	3	K48	1.35	72	CL00A310T-L	151150	RTA1-G	1.00	1.50	151187
			M3003	115864	1.4	240	3	K48	1.35	72	CL00A310T-S	151147	RTA1-G	1.00	1.50	151187
Open	1/3	3	M3003	115864	0.75	480	3	K48	1.35	72	CL00A310T-U	151148	RTA1-F	0.65	1.10	151186
			BF2034	202091	6	120	1	48/56	1.35		CL00A310T-J	151146	RTA1-L	4.00	6.30	151191
			BF2034	202091	3	208	1	48/56	1.35	62.8	CL00A310T-L	151150	RTA1-K	2.50	4.10	151190
			BF2034	202091	3	240	1	48/56	1.35	62.8	CL00A310T-S	151147	RTA1-K	2.50	4.10	151190
			M3007	115863	1.4	208	3	K48	1.35		CL00A310T-L	151150	RTA1-G	1.00	1.50	151187
Open	1/2	4	M3007	115863	1.6	240	3	K48	1.35		CL00A310T-S	151147	RTA1-H	1.30	1.90	151188
			M3007	115863	0.8	480	3	K48	1.35		CL00A310T-U	151148	RTA1-F	0.65	1.10	151186
			BF2054	102627	8.8	120	1	56Z	1.15		CL00A310T-J	151146	RTA1-N	8.00	12.00	151193
			BF2054	102627	5.1	208	1	56Z	1.15		CL00A310T-L	151150	RTA1-L	4.00	6.30	151191
			BF2054	102627	4.4	240	1	56Z	1.15		CL00A310T-S	151147	RTA1-L	4.00	6.30	151191
			H880	159183	2.5	208	3	LA56	1.25		CL00A310T-L	151150	RTA1-J	1.90	2.70	151189
			H880	159183	3	240	3	LA56	1.25		CL00A310T-S	151147	RTA1-K	2.50	4.10	151190
Open	3/4	5	H880	159183	1.5	480	3	LA56	1.25		CL00A310T-U	151148	RTA1-H	1.30	1.90	151188
			H991	202089	.9	575	3	H56	1.25		CL00A310T-1	151275	RTA1-F	0.65	1.10	151186
			C426V1	93548	11	120	1	B56			CL01A310T-J	151151	RTA1-P	10.00	16.00	151194
			C426V1	93548	5.5	208	1	B56			CL00A310T-L	151150	RTA1-M	5.50	8.50	151192
			C426V1	93548	5.4	240	1	B56			CL00A310T-S	151147	RTA1-L	4.00	6.30	151191
			312P696	36951	2.9	208	3	D56	1.25		CL00A310T-L	151150	RTA1-K	2.50	4.10	151190
			312P696	36951	2.6	240	3	D56	1.25		CL00A310T-S	151147	RTA1-K	2.50	4.10	151190
Open	1	6	312P696	36951	1.3	480	3	D56	1.25		CL00A310T-U	151148	RTA1-G	1.00	1.50	151187
			H992	202090	1.0	575	3	H56	1.25		CL00A310T-1	151275	RTA1-F	0.65	1.10	151186
			C523	13685	13	120	1	H56	1.25		CL01A310T-J	151151	RTA1-P	10.00	16.00	151194
			C523	13685	7.5	208	1	H56	1.25		CL00A310T-L	151150	RTA1-M	5.50	8.50	151192
			C523	13685	6.5	240	1	H56	1.25		CL00A310T-S	151147	RTA1-M	5.50	8.50	151192
			H882	36580	3.7	208	3	H56	1.15		CL00A310T-L	151150	RTA1-K	2.50	4.10	151190
			H882	36580	3.2	240	3	H56	1.15		CL00A310T-S	151147	RTA1-K	2.50	4.10	151190
Open	1.5	7	H882	36580	1.6	480	3	H56	1.15		CL00A310T-U	151148	RTA1-H	1.30	1.90	151188
			E1006L	158175	1.1	575	3	N143T	1.15		CL00A310T-Y	151149	RTA1-G	1.00	1.50	151187
			C524	194202	15	120	1	56	1.2	86.4	CL02A310T-J	151156	RTA1-P	10.00	16.00	151194
			C524	194202	7.8	208	1	56	1.2	86.4	CL00A310T-L	151150	RTA1-M	5.50	8.50	151192
			C524	194202	7.5	240	1	56	1.2	86.4	CL00A310T-S	151147	RTA1-M	5.50	8.50	151192
			H884L	115859	5.6	208	3	F56	1.15	66.4	CL00A310T-L	151150	RTA1-L	4.00	6.30	151191
			H884L	115859	5	240	3	F56	1.15	66.4	CL00A310T-S	151147	RTA1-L	4.00	6.30	151191
Open	2	8	H884L	115859	2.8	480	3	F56	1.15	66.4	CL00A310T-U	151148	RTA1-K	2.50	4.10	151190
			E1007	158162	1.6	575	3	R145T	1.15	85.3	CL00A310T-Y	151149	RTA1-H	1.30	1.90	151188
			RB1204AV1	202581	24.6	120	1	56H	1.15	81.8	CL25A310T-J	151160	RTA1-T	17.50	22.00	151197
			RB1204AV1	202581	12.3	208	1	56H	1.15	81.8	CL01A310T-L	151155	RTA1-N	8.00	12.00	151193
			RB1204AV1	202581	12.3	240	1	56H	1.15	81.8	CL01A310T-S	151152	RTA1-N	8.00	12.00	151193
			H886	159327	7.0	208	3	56HZ	1.15	67	CL00A310T-L	151150	RTA1-M	5.50	8.50	151192
			H886	159327	6.6	240	3	56HZ	1.15	67	CL00A310T-S	151147	RTA1-M	5.50	8.50	151192
Open	3	9	H886	159327	3.5	480	3	56HZ	1.15	67	CL00A310T-U	151148	RTA1-K	2.50	4.10	151190
			E1008	158176	2.1	575	3	P145T	1.15	86	CL00A310T-Y	151149	RTA1-J	1.90	2.70	151189
			B735	111560	13.7	208	1	L56	1.15	94.5	CL02A310T-L	151159	RTA1-P	10.00	16.00	151194
			B735	111560	12.4	240	1	L56	1.15	94.5	CL01A310T-S	151152	RTA1-P	10.00	16.00	151194
			H845	159185	9.0	208	3	P56HZ	1.15		CL00A310T-L	151150	RTA1-N	8.00	12.00	151193
			H845	159185	8.6	240	3	P56HZ	1.15		CL00A310T-S	151147	RTA1-N	8.00	12.00	151193
			H845	159185	4.3	480	3	P56HZ	1.15		CL00A310T-U	151148	RTA1-L	4.00	6.30	151191
Open	5	10	H954	120019	3.6	575	3	P145T	1.15	80.3	CL00A310T-Y	151149	RTA1-K	2.50	4.10	151190
			V211	111562	28.3	208	1	L184T	1.15	79.2	CL04A310M-L	151169	RTA1-V	25.00	32.00	151199
			V211	111562	25.6	240	1	L184T	1.15	79.2	CL04A310M-S	151166	RTA1-V	25.00	32.00	151199
			196033J	113371	13.4	208	3	Y56HZ	1.15	87.2	CL01A310T-L	151155	RTA1-P	10.00	16.00	151194
			196033J	113371	13.2	240	3	Y56HZ	1.15	87.2	CL01A310T-S	151152	RTA1-P	10.00	16.00	151194
			196033J	113371	6.6	480	3	Y56HZ	1.15	87.2	CL00A310T-U	151148	RTA1-M	5.50	8.50	151192
			H956	120020	5.4	575	3	Y56HZ	1.15	85.9	CL00A310T-Y	151149	RTA1-L	4.00	6.30	151191
Open	7.5	11	V305	105828	35.4	208	1	S215T	1.15	87	CL06A311M-L	151173	RTA2-E	30.00	43.00	151206
			V305	105828	32.0	240	1	S215T	1.15	87	CL45A310M-S	151170	RTA1-V	25.00	32.00	151199
			M3311T	105855	32.0	208	3	213T	1.15	82.5	CL25A310T-L	151164	RTA1-U	21.00	26.00	151198
			M3311T	105855	20.0	240	3	213T	1.15	82.5	CL25A310T-S	151161	RTA1-T	17.50	22.00	151197
			M3311T	105855	10.0	480	3	213T	1.15	82.5	CL01A310T-U	151153	RTA1-N	8.00	12.00	151193
			M3311T-5	158164	7.7	575	3	213T	1.15	86.5	CL00A310T-Y	151149	RTA1-M	5.50	8.50	151192
			V303	105830	42.0	208	1	S215T	1.15	96	CL06A311M-L	151173	RTA2-E	30.00	43.00	151206
Open	10	12	V303	105830	38.0	240	1	S215T	1.15	96	CL06A311M-S	151172	RTA2-E	30.00	43.00	151206
			M3313T	105858	29.0	208	3	215T	1.15	85.5	CL04A310M-L	151169	RTA1-V	25.00	32.00	151199
			M3313T	105858	26.8	240	3	215T	1.15	85.5	CL04A310M-S	151166	RTA1-V	25.00	32.00	151199
Open	10	12	M3313T	105858	13.4	480	3	215T	1.15	85.5	CL01A310T-U	151153	RTA1-P	10.00	16.00	151194
			M3313T-5	158163	10.8	575	3	215T	1.15	81	CL01A310T-Y	151154	RTA1-P	10.00	16.00	151194

Replacement Blower Motors and Starters - BEFORE APRIL 1, 2013 - (Cont'd) (Line Voltage Coils)

Type	HP	AL	Open Motor (cont'd)					Frame Size	Service Factor	Power Factor	Starter (AN10)		Starter Overload			
			Mfr's #.	P/N	fla	volt	ph				Mfr #	P/N	Mfr #	min	max	P/N
Open	15	15	FM2513T-8	142287	43.1	208	3	254T	1.15	80	CL06A311M-L	151173	RTA2-G	42.00	55.00	151202
			EHF2523T	142288	39.0	240	3	254T	1.15	80	CL06A311M-S	151172	RTA2-E	30.00	43.00	151206
			EHF2523T	142288	19.5	480	3	254T	1.15	80	CL25A310T-U	151162	RTA1-T	17.50	22.00	151197
			FM2513T-5	142289	16.0	575	3	254T	1.15	80	CL02A310T-Y	151158	RTA1-S	14.50	18.00	151196
Open	20	16	FM2515T-8	142295	58.7	208	3	256T	1.15	80	CL07A311M-L	151176	RTA2-H	54.00	65.00	151203
			FM2515T	142296	53.0	240	3	256T	1.15	81	CL07A311M-S	151175	RTA2-G	42.00	55.00	151202
			FM2515T	142296	26.5	480	3	256T	1.15	81	CL04A310M-U	151167	RTA1-V	25.00	32.00	151199
			FM2515T-5	142297	21.2	575	3	256T	1.15	80	CL25A310T-Y	151163	RTA1-T	17.50	22.00	151197

Type	HP	AL	TEFC Motor					Frame Size	Service Factor	Power Factor	Starter (AN10)		Starter Overload			
			Mfr's #.	P/N	fla	volt	ph				Mfr #	P/N	Mfr #	min	max	P/N
TEFC	1/4	19	#904	16074	3.8	120	1	M48	1		CL00A310T-J	151275	RTA1-K	2.50	4.10	151190
			C199	16074	2.0	208	1	H56	1.35		CL00A310T-L	151275	RTA1-J	1.90	2.70	151189
			C199	16074	1.9	240	1	H56	1.35		CL00A310T-S	151147	RTA1-H	1.30	1.90	151188
			125439	16075	1.6	208	3	B56	1	61.9	CL00A310T-L	151150	RTA1-H	1.30	1.90	151188
			125439	16075	1.4	240	3	B56	1	61.9	CL00A310T-S	151147	RTA1-G	1.00	1.50	151187
TEFC	1/3	20	#906L	115861	4.6	120	1	N48	1	68.5	CL00A310T-J	151146	RTA1-L	4.00	6.30	151191
			C151	159501	2.3	208	1	N48	1	67.2	CL00A310T-L	151150	RTA1-J	1.90	2.70	151189
			C151	159501	2.4	240	1	N48	1	67.2	CL00A310T-S	151147	RTA1-J	1.90	2.70	151189
			H261	105567	1.2	208	3	L48	1.15		CL00A310T-L	151150	RTA1-G	1.00	1.50	151187
			H261	105567	1.2	240	3	L48	1.15		CL00A310T-S	151147	RTA1-G	1.00	1.50	151187
TEFC	1/2	21	H261	105567	0.6	480	3	L48	1.15		CL00A310T-U	151148	RTA1-D	0.40	0.65	151184
			C613	159184	7.2	120	1	J56	1.15		CL00A310T-J	151146	RTA1-M	5.50	8.50	151192
			C613	159184	3.5	208	1	J56	1.15		CL00A310T-L	151150	RTA1-K	2.50	4.10	151190
			C613	159184	3.6	240	1	J56	1.15		CL00A310T-S	151147	RTA1-K	2.50	4.10	151190
			H274	16077	2.3	208	3	H56	1	59.5	CL00A310T-L	151150	RTA1-J	1.90	2.70	151189
TEFC	3/4	22	H274	16077	2.0	240	3	H56	1	59.5	CL00A310T-S	151147	RTA1-J	1.90	2.70	151189
			H274	16077	1.0	480	3	H56	1	59.5	CL00A310T-U	151148	RTA1-F	0.65	1.10	151186
			H276	105568	0.7	575	3	J56	1.15	76.4	CL00A310T-Y	151149	RTA1-F	0.65	0.90	151186
			F353	115860	11.0	120	1	F56	1	66	CL01A310T-J	151151	RTA1-P	10.00	16.00	151194
			F353	115860	5.4	208	1	F56	1	66	CL00A310T-L	151150	RTA1-L	4.00	6.30	151191
TEFC	1	23	F353	115860	5.5	240	1	F56	1	66	CL00A310T-S	151147	RTA1-L	4.00	6.30	151191
			H580	20371	2.0	208	3	KA56	1	73.5	CL00A310T-L	151150	RTA1-J	1.90	2.70	151189
			H580	20371	2.2	240	3	KA56	1	73.5	CL00A310T-S	151147	RTA1-J	1.90	2.70	151189
			H580	20371	1.1	480	3	KA56	1	73.5	CL00A310T-U	151148	RTA1-G	1.00	1.50	151187
			H461	105569	0.8	575	3	L56	1.15	78.3	CL00A310T-Y	151149	RTA1-F	0.65	1.10	151186
TEFC	1.5	24	159105	174993	12.0	120	1	L56	1.15	74.3	CL01A310T-J	151151	RTA1-P	10.00	16.00	151194
			159105	174993	6.2	208	1	L56	1.15	74.3	CL00A310T-S	151147	RTA1-M	5.50	8.50	151192
			159105	174993	6.0	240	1	L56	1.15	74.3	CL00A310T-S	151147	RTA1-M	5.50	8.50	151192
			H524	16080	3.3	208	3	J56	1	74.4	CL00A310T-L	151150	RTA1-K	2.50	4.10	151190
			H524	16080	3.4	240	3	J56	1	74.4	CL00A310T-S	151147	RTA1-K	2.50	4.10	151190
TEFC	2	25	H524	16080	1.7	480	3	J56	1	74.4	CL00A310T-U	151148	RTA1-H	1.30	1.90	151188
			H525	105570	1.4	575	3	H56	1.15	71.6	CL00A310T-Y	151149	RTA1-G	1.00	1.50	151187
			C686	94347	16.4	120	1	TK56H			CL02A310T-J	151156	RTA1-S	14.50	18.00	151196
			C686	94347	9.5	208	1	TK56H			CL00A310T-L	151150	RTA1-N	8.00	12.00	151193
			C686	94347	8.2	240	1	TK56H			CL00A310T-S	151147	RTA1-N	8.00	12.00	151193
TEFC	3	26	H535	101286	4.3	208	3	L56H	1	80.9	CL00A310T-L	151150	RTA1-L	4.00	6.30	151191
			H535	101286	4.4	240	3	L56H	1	80.9	CL00A310T-S	151147	RTA1-L	4.00	6.30	151191
			H535	101286	2.2	480	3	L56H	1	80.9	CL00A310T-U	151148	RTA1-J	1.90	2.70	151189
			E127	105665	1.6	575	3	M145T	1.15	85.7	CL00A310T-Y	151149	RTA1-H	1.30	1.90	151188
			C687	105572	24.0	120	1	F182T	1	76.4	CL04A310M-J	151165	RTA1-U	21.00	26.00	151198
TEFC	5	27	L3516TM	205881	8.3	240	1	56HZ	1	76.4	CL01A310T-S	151152	RTA1-P	10.00	16.00	151194
			M3587T	158165	6.3	208	3	145T	1.15	77.5	CL00A310T-L	151150	RTA1-M	5.50	8.50	151192
			M3587T	158165	5.8	240	3	145T	1.15	77.5	CL00A310T-S	151147	RTA1-L	4.00	6.30	151191
			M3587T	158165	2.9	480	3	145T	1.15	77.5	CL00A310T-U	151148	RTA1-K	2.50	4.10	151190
			M3587T-5	158166	2.2	575	3	145T	1.15	77.5	CL00A310T-Y	151149	RTA1-J	1.90	2.70	151189
TEFC	7.5	32	K222	111564	30.0	120	1	F184T	1	88	CL04A310M-J	151165	RTA1-V	25.00	32.00	151199
			K222	111564	15.0	240	1	F184T	1	88	CL02A310T-S	151157	RTA1-P	10.00	16.00	151194
			M3559T	159330	7.9	208	3	145T	1.15		CL00A310T-L	151150	RTA1-M	5.50	8.50	151192
			M3559T	159330	7.2	240	3	145T	1.15		CL00A310T-S	151147	RTA1-M	5.50	8.50	151192
			M3559T	159330	3.6	480	3	145T	1.15		CL00A310T-U	151148	RTA1-K	2.50	4.10	151190
TEFC	7.5	32	M3660T-5	158168	3.0	575	3	182T	1.15		CL00A310T-Y	151149	RTA1-K	2.50	4.10	151190
			K223	111567	20.2	240	1	F184T	1	90.8	CL04A310M-S	151166	RTA1-T	17.50	22.00	151197
			M3663T	155048	12.8	208	3	184T	1.15		CL01A310T-L	151155	RTA1-S	14.50	18.00	151196
			M3663T	155048	11.8	240	3	184T	1.15		CL01A310T-S	151152	RTA1-P	10.00	16.00	151194
			M3663T	155048	5.9	480	3	184T	1.15		CL00A310T-U	151148	RTA1-L	4.00	6.30	151191
TEFC	7.5	32	M3663T-5	158170	4.8	575	3	184T	1.15	90	CL00A310T-Y	151149	RTA1-L	4.00	6.30	151191
			K305	105842	34.0	240	1	F215T	1	86.5	CL45A310M-S	151170	RTA1-W	30.00	40.00	151200
			T4631	158171	21.0	208	3	213T	1.15	83.1	CL04A310M-L	151169	RTA1-U	21.00	26.00	151198
TEFC	7.5	32	T4631	158171	19.0	240	3	213T	1.15	83.1	CL25A310T-S	151161	RTA1-T	17.50	22.00	151197
			T4631	158171	9.5	480	3	213T	1.15	83.1	CL01A310T-U	151153	RTA1-N	8.00	12.00	151193
TEFC	7.5	32	M3710T-5	158172	8.1	575	3	213T	1.15	83.1	CL00A310T-Y	151149	RTA1-M	5.50	8.50	151192

Replacement Blower Motors and Starters - *BEFORE APRIL 1, 2013 - (Cont'd)* (Line Voltage Coils)

TEFC Motor (cont'd)									Frame Size	Service Factor	Power Factor	Starter (AN10)		Starter Overload		
Type	HP	AL	Mfr's #.	P/N	fla	volt	ph	Mfr #				P/N	Mfr #	min	max	P/N
TEFC	10	33	K313	105846	39.0	240	1	215T	1	96.5	CL06A311M-S	151172	RTA2-E	30.00	43.00	151206
			M3774T	158173	39.0	208	3	215T	1.15	85	CL04A310M-L	151169	RTA1-V	25.00	32.00	151199
			M3774T	158173	20.0	240	3	215T	1.15	85	CL04A310M-S	151166	RTA1-U	21.00	26.00	151198
			M3774T	158173	10.0	480	3	215T	1.15	85	CL01A310T-U	151153	RTA1-P	10.00	16.00	151194
TEFC	15	34	M3774T-5	158174	11.4	575	3	215T	1.15	85	CL01A310T-Y	151154	RTA1-N	8.00	12.00	151193
			E301M	142443	38.0	240	3	254T	1.15	82	CL06A311M-S	151172	RTA2-E	30.00	43.00	151206
	E301M	142443	19.0	480	3	254T	1.15	82	CL25A310T-U	151162	RTA1-T	17.50	22.00	151197		
	FM2333-5	142444	15.0	575	3	254T	1.15	82	CL02A310T-Y	151158	RTA1-P	10.00	16.00	151194		
	FM2334T	142301	52.0	240	3	256T	1.15	81	CL07A311M-S	151175	RTA2-G	42.00	55.00	151202		
	FM2334T-5	142302	26.0	480	3	256T	1.15	81	CL04A310M-U	151167	RTA1-V	25.00	32.00	151199		
	20	35	FM2334T-5	142302	20.6	575	3	256T	1.15	81	CL25A310T-Y	151163	RTA1-T	17.50	22.00	151197

Premium Efficient Motor									Frame Size	Service Factor	Power Factor	Starter (AN10)		Starter Overload		
Type	HP	AL	Mfr's #.	P/N	fla	volt	ph	Mfr #				P/N	Mfr #	min	max	P/N
EE	1	36	DHP0014	159328	3.1	208	3	143T	1.15	83.5	CL00A310T-L	151150	RTA1-K	2.50	4.10	151190
			DHP0014	159328	2.8	240	3	143T	1.15		CL00A310T-S	151147	RTA1-K	2.50	4.10	151190
			DHP0014	159328	1.4	480	3	143T	1.15		CL00A310T-U	151148	RTA1-G	1.00	1.50	151187
EE	1.5	37	E1006	158175	1.1	575	3	N143T	1.15		CL00A310T-Y	151149	RTA1-G	1.00	1.50	151187
			E104	105662	4.5	208	3	P145T	1.15	86	CL00A310T-L	151150	RTA1-L	4.00	6.30	151191
			E1016	159329	4.0	240	3	145T	1.15		CL00A310T-S	151147	RTA1-K	2.50	4.10	151190
			E1016	159329	2.0	480	3	145T	1.15		CL00A310T-U	151148	RTA1-J	1.90	2.70	151189
EE	2	38	E1007	158162	1.6	575	3	R145T	1.15	85.3	CL00A310T-Y	151149	RTA1-H	1.30	1.90	151188
			E105	105664	6.1	208	3	P145T	1.15	86.8	CL00A310T-L	151150	RTA1-L	4.00	6.30	151191
			E1017	159027	5.6	240	3	145T	1.15		CL00A310T-S	151147	RTA1-L	4.00	6.30	151191
			E1017	159027	2.8	480	3	145T	1.15		CL00A310T-U	151148	RTA1-K	2.50	4.10	151190
EE	3	39	E1008	158176	2.1	575	3	P145T	1.15	86	CL00A310T-Y	151149	RTA1-J	1.90	2.70	151189
			35L405S489G3	159186	8.3	208	3	145T	1.15		CL00A310T-L	151150	RTA1-N	8.00	12.00	151193
			EM3158T	159028	7.4	240	3	145T			CL00A310T-S	151147	RTA1-M	5.50	8.50	151192
			EM3158T	159028	3.7	480	3	145T			CL00A310T-U	151148	RTA1-K	2.50	4.10	151190
EE	5	40	35L405S709G1	159030	3.0	575	3	145T	1.15		CL00A310T-Y	151149	RTA1-K	2.50	4.10	151190
			E204	159029	11.6	208	3	H182T	1.15	89	CL02A310T-L	151159	RTA1-P	10.00	16.00	151194
			E204	159029	11.6	240	3	H182T	1.15	89	CL02A310T-S	151157	RTA1-P	10.00	16.00	151194
			E204	159029	5.8	480	3	H182T	1.15	89	CL00A310T-U	151148	RTA1-M	5.50	8.50	151192
EE	7.5	41	M3613T-5	111602	4.8	575	3	184T	1.15		CL00A310T-Y	151149	RTA1-L	4.00	6.30	151191
			E316	159331	21.4	208	3	D213T	1.15	82	CL04A310M-L	151169	RTA1-U	21.00	26.00	151198
			E317	159332	18.6	240	3	D213T	1.15	82	CL25A310T-S	151161	RTA1-T	17.50	22.00	151197
			E317	159332	9.3	480	3	D213T	1.15	82	CL00A310T-U	151148	RTA1-N	8.00	12.00	151193
EE	10	42	M3311T-5	158164	7.7	575	3	213T	1.15	81.5	CL00A310T-Y	151149	RTA1-M	5.50	8.50	151192
			EM3313T	159334	26.0	208	3	215T	1.15	85.5	CL04A310M-L	151169	RTA1-V	25.00	32.00	151199
			EM3313T	159334	25.0	240	3	215T	1.15	85.5	CL04A310M-S	151166	RTA1-U	21.00	26.00	151198
			EM3313T	159334	12.5	480	3	215T	1.15	85.5	CL01A310T-U	151153	RTA1-P	10.00	16.00	151194
EE	15	43	M3313T-5	158163	10.4	575	3	215T	1.15	81	CL00A310T-Y	151149	RTA1-P	10.00	16.00	151194
			EFM2513T-8	142440	40.7	208	3	254T	1.15	84	CL06A311M-L	151173	RTA2-E	30.00	43.00	151206
			EFM2513T	142441	35.4	240	3	254T	1.15	84	CL06A311M-S	151172	RTA2-E	30.00	43.00	151206
			EFM2513T	142441	17.7	480	3	254T	1.15	84	CL25A310T-U	151162	RTA1-T	17.50	22.00	151197
EE	20	44	EFM2513T-5	142289	16.0	575	3	254T	1.15	84	CL02A310T-Y	151158	RTA1-P	10.00	16.00	151194
			E452-F2	159187	57.0	208	3	S256T	1.15	84	CL07A311M-L	151176	RTA2-H	54.00	65.00	151203
			EFM2515T	142299	47.0	240	3	256T	1.15	84	CL06A311M-S	151172	RTA2-G	42.00	55.00	151202
			EFM2515T	142299	23.5	480	3	256T	1.15	84	CL04A310M-U	151167	RTA1-U	21.00	26.00	151198
			EFM2515T-5	142300	19.2	575	3	256T	1.15	84	CL25A310T-Y	151163	RTA1-T	17.50	22.00	151197

2-Speed Blower Motors

Motor Data			Maximum Mtr Amp Draw		Motor P/N (Volts - Phase)			IEC Starter	
Rated HP	Century P/N	Frame	1800 RPM	1200 RPM	208-3	240-3	480-3	Manufacturer's P/N	P/N
1/4.4	M124	M145T	3.8	2.4	105641			AEG2SP-S17-C-I-H-O	114971
1/4.4	M124	M145T	3.4	2.2		105641		AEG2SP-S17-C-I-H-O	114971
1/4.4	M109	M145T	1.7	1.1			105642	AEG2SP-S17-E-G-F-O	114972
1.5/6.8	M125	N145T	5.4	3.1	105643			AEG2SP-S17-C-K-I-O	114973
1.5/6.8	M125	N145T	4.9	2.8		105643		AEG2SP-S17-C-K-I-O	114973
1.5/6.8	M104	N145T	2.4	1.4			105644	AEG2SP-S17-E-H-G-O	114974
2/8.8	M220	S182T	6.5	4.2	105645			AEG2SP-S17-C-L-K-O	114975
2/8.8	M220	S182T	5.9	3.8		105645		AEG2SP-S17-C-L-I-O	114976
2/8.8	M207	S182T	3.4	2.1			105646	AEG2SP-S17-E-I-H-O	114977
3/1.3	M221	S184T	9.3	5.3	105647			AEG2SP-S17-C-M-K-O	114978
3/1.3	M221	S184T	8.4	4.8		105647		AEG2SP-S17-C-M-K-O	114978
3/1.3	M208	S184T	4.6	2.6			105648	AEG2SP-S17-E-K-H-O	114979
5/2.2	M320	S215T	17.2	11.3	105870			AEG2SP-S17-C-O-M-O	114980
5/2.2	M320	S215T	15.5	10.2		105870		AEG2SP-S17-C-O-M-O	114980
5/2.2	M305	S215T	7.1	4.8			105871	AEG2SP-S17-E-L-K-O	114981
7.5/3.3	M317	Y215T	21.6	13.6	105872			AEG2SP-S17-C-O-N-O	114982
7.5/3.3	M317	Y215T	19.5	12.3		105872		AEG2SP-S17-C-O-N-O	114982
7.5/3.3	M315	D215T	10.0	6.0			105873	AEG2SP-S17-E-M-L-O	114983
10/4.4	M421	S256T	31.0	19.4	105874			AEG2SP-S17-C-P-O-O	114984
10/4.4	M421	S256T	28.0	17.5		105874		AEG2SP-S17-C-P-O-O	114984
10/4.4	M413	S256T	13.5	7.5			105875	AEG2SP-S17-E-N-L-O	114985

IEC Two-Speed Starter

Effective 9/91, IEC two-speed starters are used. Prior to 9/91, units with 2-speed motors were equipped with NEMA starters. If replacing a NEMA starter with an IEC starter, replace the complete starter. See terminal cross reference chart (right).

Original box and cover may be used for replacement IEC starter.

Terminal Cross-Reference Chart for Replacement IEC Starters	NEMA		IEC	
	Starter Wire Terminals			
	High Speed	D		2T1
		F		6T3
		E		4T2
	Low Speed	A		2T1
C			6T3	
B			4T2	
Relay/Starter Coil Terminals				
	9		96 95	

Replacement Holding Coils for IEC Starters - BEFORE APRIL 1, 2013

Voltage	GE #	P/N	For Use with Starters Beginning with GE#	Voltage	GE #	P/N	For Use with Starters Beginning with GE#	Voltage	GE #	P/N	For Use with Starters Beginning with GE#
24	LB1A-C	151280	CL00; CL01; CL02; CL25	575	LB1A-Y	151285	CL00; CL01; CL02; CL25	460	LB3A-U	151290	CL04; CL45
120	LB1A-J	151281	CL00; CL01; CL02; CL25	24	LB3A-C	151286	CL04; CL45	575	LB3A-Y	151291	CL04; CL45
208	LB1A-L	151282	CL00; CL01; CL02; CL25	120	LB3A-J	151287	CL04; CL45	208	LB4A-L	151292	CL06; CL07; CL08; CL09
230	LB1A-S	151283	CL00; CL01; CL02; CL25	208	LB3A-L	151288	CL04; CL45	230	LB4A-S	151293	CL06; CL07; CL08; CL09
460	LB1A-U	151284	CL00; CL01; CL02; CL25	230	LB3A-S	151289	CL04; CL45	460	LB4A-U	151294	CL06; CL07; CL08; CL09

Replacement Blower Motors, Starters and Variable Frequency Drives - AFTER APRIL 1, 2013

Blower Motor (single-speed) - Motors are listed by type, HP, and voltage.

Highlighted motors do not have internal overload protection and **MUST** be used with the motor starter and overloads listed in the table unless the unit is equipped with a variable frequency drive. Motors not highlighted will have either a contactor (**CODE 36**), a starter Option AN10, or will be equipped with a variable frequency drive (Reference table on the right).

Variable Frequency Drive Control (Opt VFD) & Matching Line Reactor



Replacement Display, ABB Model ACS-CP-A, P/N 272508

Mtr HP & Type	VFD Drive and Matching Line Reactor	208/1/60 230/1/60		208/3/60 230/3/60		480/3/60		575/3/60	
		ODP	TEFC	ODP	TEFC	Prem	ODP	TEFC	Prem
1/2	Drive	221600	221605	N/A	221612	N/A	N/A		
	Line Reactor	221595	221598		221590				
3/4	Drive	N/A	221606	N/A	221613	N/A	N/A		
	Line Reactor		221598		221591				
1	Drive	221601	221607	221614		N/A			
	Line Reactor	221596	221594	221592					
1-1/2	Drive	221602	221608	221615		N/A			
	Line Reactor	221597	221595	221593					
2	Drive	221603	221609	221616		221855			
	Line Reactor	221597	221596	221585	NA (Built-in)				
3	Drive	221604	221610	221617		221856			
	Line Reactor	221599	221597	221586	NA (Built-in)				
5	Drive	N/A	221611	221618		221857			
	Line Reactor		221599	221587	NA (Built-in)				

IEC Starter (Contactor) IEC Overload



Replacement IEC Starters & Overloads

See P/N's listed in motor charts, pages 16-20. Required on **highlighted motors**; optional on others unless unit is equipped with a variable frequency drive.

Type	HP	Option AL	Open Motor							Starter (AN10)		Starter Overload			P/N
			P/N	Mfr's No.	Frame	Fla	Shaft	Volt	ph	Mfr's No.	P/N	Min	Max	GE #	
Open	1/4	2, 3	210611	BF2024	48/56	4.6	1/2"	115	1	CL00A310T-1	151275	4	6.3	RTA1-L	151191
Open	1/4	2, 3	210611	BF2024	48/56	2.3	1/2"	208	1	CL00A310T-1	151275	1.8	2.7	RTA1-J	151189
Open	1/4	2, 3	210611	BF2024	48/56	2.3	1/2"	240	1	CL00A310T-1	151275	1.8	2.7	RTA1-J	151189
Open	1/4	2, 3	115864	H200	K48	1.1	1/2"	208	3	CL00A310T-1	151275	1	1.5	RTA1-G	151187
Open	1/4	2, 3	115864	H200	K48	1.4	1/2"	240	3	CL00A310T-1	151275	1	1.5	RTA1-G	151187
Open	1/4	2, 3	115864	H200	K48	0.8	1/2"	480	3	CL00A310T-1	151275	0.7	1.1	RTA1-F	151186
Open	1/3	2, 3	202091	BF2034	48	6	1/2"	115	1	CL00A310T-1	151275	4	6.3	RTA1-L	151191
Open	1/3	2, 3	202091	BF2034	48	3	1/2"	208	1	CL00A310T-1	151275	2.5	4.1	RTA1-K	151190
Open	1/3	2, 3	115863	H260	K48	1.4	1/2"	208	3	CL00A310T-1	151275	1	1.5	RTA1-G	151187
Open	1/3	2, 3	115863	H260	K48	1.6	1/2"	240	3	CL00A310T-1	151275	1.3	1.9	RTA1-H	151188
Open	1/3	2, 3	115863	H260	K48	0.8	1/2"	480	3	CL00A310T-1	151275	0.7	1.1	RTA1-F	151186
Open	1/2	4, 5	102627	BF2054	56Z	8.8	5/8"	120	1	CL00A310T-1	151275	8	12	RTA1-N	151193
Open	1/2	4, 5	102627	BF2054	56Z	5.1	5/8"	208	1	CL00A310T-1	151275	4	6.3	RTA1-L	151191
Open	1/2	4, 5	102627	BF2054	56Z	4.4	5/8"	240	1	CL00A310T-1	151275	4	6.3	RTA1-L	151191
Open	1/2	4, 5	159183	H880	LA56	2.5	5/8"	208	3	CL00A310T-1	151275	1.8	2.7	RTA1-J	151189
Open	1/2	4, 5	159183	H880	LA56	3	5/8"	240	3	CL00A310T-1	151275	2.5	4.1	RTA1-K	151190
Open	1/2	4, 5	159183	H880	LA56	1.5	5/8"	480	3	CL00A310T-1	151275	1.3	1.9	RTA1-H	151188
Open	1/2	4, 5	202089	H991	H56	0.9	5/8"	575	3	CL00A310T-1	151275	0.7	1.1	RTA1-F	151186
Open	3/4	4, 5	93548	312P629	B56	11	5/8"	120	1	CL01A310T-1	151276	10	16	RTA1-P	151194
Open	3/4	4, 5	93548	312P629	B56	6.3	5/8"	208	1	CL00A310T-1	151275	5.5	8.5	RTA1-M	151192
Open	3/4	4, 5	93548	312P629	B56	5.5	5/8"	240	1	CL00A310T-1	151275	4	6.3	RTA1-L	151191
Open	3/4	4, 5	36951	312P696	D56	2.9	5/8"	208	3	CL00A310T-1	151275	2.5	4.1	RTA1-K	151190
Open	3/4	4, 5	36951	312P696	D56	2.6	5/8"	240	3	CL00A310T-1	151275	2.5	4.1	RTA1-K	151190

Replacement Blower Motors and Starters - AFTER APRIL 1, 2013 - (Cont'd) (24 Volt Coils)

Open Motor (cont'd)										Starter (AN10)	Starter Overload			P/N	
Type	HP	Option AL	P/N	Mfr's No.	Frame	Fla	Shaft	Volt	ph	Mfr's No.	P/N	Min	Max	GE #	P/N
Open	3/4	4, 5	36951	312P696	D56	1.3	5/8"	480	3	CL00A310T-1	151275	1	1.5	RTA1-G	151187
Open	3/4	4, 5	202090	H992	H56	1	5/8"	575	3	CL00A310T-1	151275	0.7	1.1	RTA1-F	151186
Open	1	6, 7	13685	C523	H56	13	5/8"	120	1	CL01A310T-1	151276	10	16	RTA1-P	151194
Open	1	6, 7	13685	C523	H56	7.5	5/8"	208	1	CL00A310T-1	151275	5.5	8.5	RTA1-M	151192
Open	1	6, 7	13685	C523	H56	6.5	5/8"	240	1	CL00A310T-1	151275	5.5	8.5	RTA1-M	151192
Open	1	6, 7	36580	AOS H882L	56H	4.0	5/8"	208	3	CL00A310T-1	151275	2.5	4.1	RTA1-K	151190
Open	1	6, 7	36580	AOS H882L	56H	3.7	5/8"	240	3	CL00A310T-1	151275	2.5	4.1	RTA1-K	151190
Open	1	6, 7	36580	AOS H882L	56H	2.0	5/8"	480	3	CL00A310T-1	151275	1.8	2.7	RTA1-J	151189
Open	1	6, 7	158175	AOS H959	JA56	1.4	5/8"	575	3	CL00A310T-1	151275	1.0	1.5	RTA1-G	151187
Open	1.5	6, 7	194202	C621	56	15	5/8"	120	1	CL01A310T-1	151276	10	16	RTA1-P	151194
Open	1.5	6, 7	194202	C621	56	7.8	5/8"	208	1	CL00A310T-1	151275	5.5	8.5	RTA1-M	151192
Open	1.5	6, 7	194202	C621	56	7.5	5/8"	240	1	CL00A310T-1	151275	5.5	8.5	RTA1-M	151192
Open	1.5	6, 7	115859	H884	UA56	5.6	5/8"	208	3	CL00A310T-1	151275	4	6.3	RTA1-L	151191
Open	1.5	6, 7	115859	H884	UA56	5	5/8"	240	3	CL00A310T-1	151275	4	6.3	RTA1-L	151191
Open	1.5	6, 7	115859	H884	UA56	2.8	5/8"	480	3	CL00A310T-1	151275	2.5	4.1	RTA1-K	151190
Open	1.5	6, 7	158162	AOS H960	LA56H	2.0	7/8"	575	3	CL00A310T-1	151275	1.8	2.7	RTA1-J	151189
Open	2	8	202581	RB1204A	56	24.6	7/8"	120	1	CL04A310M-1	151279	21	26	RTA1-U	151198
Open	2	8	202581	RB1204A	56	12.3	7/8"	208	1	CL01A310T-1	151276	10	16	RTA1-P	151194
Open	2	8	202581	RB1204A	56	12.3	7/8"	240	1	CL01A310T-1	151276	10	16	RTA1-P	151194
Open	2	8	159327	H886	56HZ	7	7/8"	208	3	CL00A310T-1	151275	5.5	8.5	RTA1-M	151192
Open	2	8	159327	H886	56HZ	6.6	7/8"	240	3	CL00A310T-1	151275	5.5	8.5	RTA1-M	151192
Open	2	8	159327	H886	56HZ	3.5	7/8"	480	3	CL00A310T-1	151275	2.5	4.1	RTA1-K	151190
Open	2	8	158176	AOS H965V1	L56	2.6	7/8"	575	3	CL00A310T-1	151275	1.8	2.7	RTA1-J	151189
Open	3	9	111560	B735	L56	13.7	5/8"	208	1	CL01A310T-1	151276	10	16	RTA1-P	151194
Open	3	9	111560	B735	L56	12.4	5/8"	230	1	CL01A310T-1	151276	10	16	RTA1-P	151194
Open	3	9, 10	159185	H845	P56HZ	9	7/8"	208	3	CL00A310T-1	151275	8	12	RTA1-N	151193
Open	3	9, 10	159185	H845	P56HZ	8.6	7/8"	240	3	CL00A310T-1	151275	8	12	RTA1-N	151193
Open	3	9, 10	159185	H845	P56HZ	4.3	7/8"	480	3	CL00A310T-1	151275	4	6.3	RTA1-L	151191
Open	3	9, 10	120019	H954	N56HZ	3.6	7/8"	575	3	CL00A310T-1	151275	2.5	4.1	RTA1-K	151190
Open	5	9, 10	111562	Baldor L1409T	184T	25.5	1-1/8"	208	1	CL04A310M-1	151279	21	26	RTA1-U	151198
Open	5	9, 10	111562	Baldor L1409T	184T	23.0	1-1/8"	240	1	CL04A310M-1	151279	21	26	RTA1-U	151198
Open	5	9, 10	113371	196033	Y56HZ	13.4	7/8"	208	3	CL01A310T-1	151276	10	16	RTA1-P	151194
Open	5	9, 10	113371	196033	Y56HZ	13.2	7/8"	240	3	CL01A310T-1	151276	10	16	RTA1-P	151194
Open	5	9, 10	113371	196033	Y56HZ	6.6	7/8"	480	3	CL00A310T-1	151275	5.5	8.5	RTA1-M	151192
Open	5	9, 10	120020	H956	Y56HZ	5.4	7/8"	575	3	CL00A310T-1	151275	4	6.3	RTA1-L	151191
Open	7.5	11	105828	AOS-V305	S215T	35.4	1-3/8"	208	1	CL06A311M-1	203687	30.0	43.0	RTA2-E	151206
Open	7.5	11	105828	AOS-V305	S215T	32.0	1-3/8"	230	1	CL06A311M-1	203687	30.0	43.0	RTA2-E	151206
Open	7.5	11	105855	WEST DTP7/54	213T	21	1-3/8"	208	3	CL04A310M-1	151279	21.0	26.0	RTA1-U	151198
Open	7.5	11	105855	WEST DTP7/54	213T	19	1-3/8"	240	3	CL25A310T-1	151278	17.5	22.0	RTA1-T	151197
Open	7.5	11	105855	WEST DTP7/54	213T	10	1-3/8"	480	3	CL00A310T-1	151275	8.0	12.0	RTA1-N	151193
Open	7.5	11	158164	AOS-E925	S213T	7.5	1-3/8"	575	3	CL00A310T-1	151275	5.5	8.5	RTA1-M	151192
Open	10	12	105830	AOS-V303	S215T	42	1-3/8"	208	1	CL06A311M-1	203687	30.0	43.0	RTA2-E	151206
Open	10	12	105830	AO-V303	S215T	38	1-3/8"	230	1	CL06A311M-1	203687	30.0	43.0	RTA2-E	151206
Open	10	12	105858	WEST DTP0104	215T	27	1-3/8"	208	3	CL04A310M-1	151279	25.0	32.0	RTA1-V	151199
Open	10	12	105858	WEST DTP0104	215T	24.4	1-3/8"	240	3	CL04A310M-1	151279	21.0	26.0	RTA1-U	151198
Open	10	12	105858	WEST DTP0104	215T	12.2	1-3/8"	480	3	CL01A310T-1	151276	10.0	16.0	RTA1-P	151194
Open	10	12	158163	AOS-E926	215T	10.1	1-3/8"	575	3	CL01A310T-1	151276	10.0	16.0	RTA1-P	151194
Open	15	15	142288	BAL-EHFM2523T	254T	37.4	1-5/8"	208	3	CL06A311M-1	203687	30.0	43.0	RTA2-E	151206
Open	15	15	142288	BAL-EHFM2523T	254T	35.4	1-5/8"	240	3	CL06A311M-1	203687	30.0	43.0	RTA2-E	151206
Open	15	15	142288	BAL-EHFM2523T	254T	17.7	1-5/8"	480	3	CL25A310T-1	151278	17.5	22.0	RTA1-T	151197
Open	15	15	142289	BAL-EFM2513T-5	254T	16	1-5/8"	575	3	CL02A310T-1	151277	14.5	18.0	RTA1-S	151196
Open	20	16	142296	WEST DTP0204	256T	53.7	1-5/8"	208	3	CL07A311M-1	203793	42.0	55.0	RTA2-G	151202
Open	20	16	142296	WEST DTP0204	256T	48.6	1-5/8"	240	3	CL07A311M-1	203793	42.0	55.0	RTA2-G	151202
Open	20	16	142296	WEST DTP0204	256T	24.3	1-5/8"	480	3	CL04A310M-1	151279	21.0	26.0	RTA1-U	151198
Open	20	16	142297	BAL-EFM2515T-5	256T	18.9	1-5/8"	575	3	CL25A310T-1	151278	17.5	22.0	RTA1-T	151197

Replacement Blower Motors and Starters - *AFTER APRIL 1, 2013* - (Cont'd) (24 Volt Coils)

TEFC Motor Replacement NOTES:

***Starter Required**

*TEFC 1/4 HP, 208/230/480/3 phase - Replacement Motor P/N 271443 requires a starter; consult the factory providing wiring diagram or serial number to determine appropriate starter and overload.

*TEFC 1 HP, 208/230/480/3 phase - Replacement Motor P/N 271444 requires a starter; consult the factory providing wiring diagram or serial number to determine appropriate starter and overload.

*TEFC 1.5 HP, 208/230/480/3 phase - Replacement Motor P/N 271445 requires a starter; consult the factory providing wiring diagram or serial number to determine appropriate starter and overload.

****Shaft Size Change**

** TEFC 3 HP, 575/3 phase - Replacement motor shaft size is 7/8" (original motor was 1-1/8").

*****Shaft Size Change**

*** TEFC 1/4 HP, 120/1 phase - Blower motor US T14CA2J9 and replacement blower motor Regal Beloit C664 both have a 5/8" shaft size. (original AOS motor was 1/2").

Additional Information:

- 1) Regal Beloit C664 motor replaces US T14CA2J9.
- 2) US T14CA2J9 blower motor requires P/N 151192 starter overload.

(NOTE: Highlighted motors do not have internal overload protection and MUST be used with the motor starter and overloads listed. See page 17 for additional information.) See NOTES on page 18 for * and ** explanation.

TEFC Motor (cont'd)										Starter (AN10)		Starter Overload			P/N
Type	HP	Option AL	P/N	Mfr's No.	Frame	Fla	Shaft	Volt	ph	Mfr's No.	P/N	Min	Max	GE #	P/N
TEFC	1/2	21, 22, 23	159184	C613	J56	3.6	5/8"	240	1	CL00A310T-1	151275	2.5	4.1	RTA1-K	151190
TEFC	1/4	19	***16074	Regal Beloit C664	H56	3.8	5/8"	120	1	CL00A310T-1	151275	2.5	4.1	RTA1-K	151189
TEFC	1/4	19	***16074	Regal Beloit C664	H56	2.0	5/8"	208	1	CL00A310T-1	151275	2.5	4.1	RTA1-K	151189
TEFC	1/4	19	***16074	Regal Beloit C664	H56	1.9	5/8"	240	1	CL00A310T-1	151275	2.5	4.1	RTA1-K	151189
TEFC	1/4	19	*271443	US T14S2A	56	1.1	5/8"	208	3	CL00A310T-1	151275	1.0	1.5	RTA1-G	151187
TEFC	1/4	19	*271443	US T14S2A	56	1.1	5/8"	240	3	CL00A310T-1	151275	1.0	1.5	RTA1-G	151187
TEFC	1/4	19	*271443	US T14S2A	56	0.5	5/8"	480	3	CL00A310T-1	151275	0.4	0.65	RTA1-D	151184
TEFC	1/3	20	115861	STK906	N48	4.6	1/2"	120	1	CL00A310T-1	151275	4	6.3	RTA1-L	151191
TEFC	1/3	20	159501	C151	N48	2.3	1/2"	208	1	CL00A310T-1	151275	1.8	2.7	RTA1-J	151189
TEFC	1/3	20	159501	C151	N48	2.4	1/2"	240	1	CL00A310T-1	151275	1.8	2.7	RTA1-J	151189
TEFC	1/3	20	105567	H261	L48	1.2	1/2"	208	3	CL00A310T-1	151275	1	1.5	RTA1-G	151187
TEFC	1/3	20	105567	H261	L48	1.2	1/2"	240	3	CL00A310T-1	151275	1	1.5	RTA1-G	151187
TEFC	1/3	20	105567	H261	L48	0.6	1/2"	480	3	CL00A310T-1	151275	0.4	0.7	RTA1-D	151184
TEFC	1/2	21, 22, 23	159184	C613	J56	7.2	5/8"	120	1	CL00A310T-1	151275	5.5	8.5	RTA1-M	151192
TEFC	1/2	21, 22, 23	159184	C613	J56	3.5	5/8"	208	1	CL00A310T-1	151275	2.5	4.1	RTA1-K	151190
TEFC	1/2	21, 22, 23	16077	H274	H56	2.3	5/8"	208	3	CL00A310T-1	151275	1.8	2.7	RTA1-J	151189
TEFC	1/2	21, 22, 23	16077	H274	H56	2	5/8"	240	3	CL00A310T-1	151275	1.8	2.7	RTA1-J	151189
TEFC	1/2	21, 22, 23	16077	H274	H56	1	5/8"	480	3	CL00A310T-1	151275	0.7	1.1	RTA1-F	151186
TEFC	1/2	21, 22, 23	105568	H276	J56	0.7	5/8"	575	3	CL00A310T-1	151275	0.7	1.1	RTA1-F	151186
TEFC	3/4	21, 22, 23	115860	F353	F56	11	5/8"	120	1	CL01A310T-1	151276	10	16	RTA1-P	151194
TEFC	3/4	21, 22, 23	115860	F353	F56	5.4	5/8"	208	1	CL00A310T-1	151275	4	6.3	RTA1-L	151191
TEFC	3/4	21, 22, 23	159184	F353	F56	5.5	5/8"	240	1	CL00A310T-1	151275	4	6.3	RTA1-L	151191
TEFC	3/4	21, 22, 23	20371	H580	KA56	2	5/8"	208	3	CL00A310T-1	151275	1.8	2.7	RTA1-J	151189
TEFC	3/4	21, 22, 23	20371	H580	KA56	2.2	5/8"	240	3	CL00A310T-1	151275	1.8	2.7	RTA1-J	151189
TEFC	3/4	21, 22, 23	20371	H580	KA56	1.1	5/8"	480	3	CL00A310T-1	151275	1	1.5	RTA1-G	151187
TEFC	3/4	21, 22, 23	105569	H461	L56	0.8	5/8"	575	3	CL00A310T-1	151275	0.7	1.1	RTA1-F	151186
TEFC	1	21, 22, 23	174993	159105	L56	12	5/8"	120	1	CL01A310T-1	151276	10	16	RTA1-P	151194
TEFC	1	21, 22, 23	174993	159105	L56	6.2	5/8"	208	1	CL00A310T-1	151275	4	6.3	RTA1-L	151191
TEFC	1	21, 22, 23	174993	159105	L56	6	5/8"	240	1	CL00A310T-1	151275	4	6.3	RTA1-L	151191
TEFC	1	21, 22, 23	*271444	WEG-00118E	D56	3.3	5/8"	208	3	CL00A310T-1	151275	2.5	4.1	RTA1-K	151190
TEFC	1	21, 22, 23	*271444	WEG-00118E	D56	3.1	5/8"	240	3	CL00A310T-1	151275	2.5	4.1	RTA1-K	151190
TEFC	1	21, 22, 23	*271444	WEG-00118E	D56	1.6	5/8"	480	3	CL00A310T-1	151275	1.3	1.9	RTA1-H	151188
TEFC	1	21, 22, 23	105570	H525	H56	1.4	5/8"	575	3	CL00A310T-1	151275	1	1.5	RTA1-G	151187
TEFC	1.5	24	94347	311P402	TK56H	16.4	5/8"	120	1	CL02A310T-1	151277	14.5	18	RTA1-S	151196
TEFC	1.5	24	94347	311P402	TK56H	9.5	5/8"	208	1	CL00A310T-1	151275	8	12	RTA1-N	151193
TEFC	1.5	24	94347	311P402	TK56H	8.2	5/8"	240	1	CL00A310T-1	151275	8	12	RTA1-N	151193
TEFC	1.5	24	*271445	WEG-00158E	D56	4.8	5/8"	208	3	CL00A310T-1	151275	4.0	6.3	RTA1-L	151191
TEFC	1.5	24	*271445	WEG-00158E	D56	4.6	5/8"	240	3	CL00A310T-1	151275	4.0	6.3	RTA1-L	151191
TEFC	1.5	24	*271445	WEG-00158E	D56	2.3	5/8"	480	3	CL00A310T-1	151275	1.8	2.7	RTA1-J	151189
TEFC	1.5	24	105665	AOS T59027	145T	1.7	7/8"	575	3	CL00A310T-1	151275	1.3	1.9	RTA1-H	151188
TEFC	2	25	105572	K200	F182T	24	1-1/8"	120	1	CL04A310M-1	151279	21	26	RTA1-U	151198
TEFC	2	25	205881	L3516TM	F182T	8.3	7/8"	240	1	CL00A310T-1	151275	5.5	8.5	RTA1-M	151192
TEFC	2	25	158165	West NP0024	145T	6.1	7/8"	208	3	CL00A310T-1	151275	5.5	8.5	RTA1-M	151192
TEFC	2	25	158165	West NP0024	145T	5.6	7/8"	240	3	CL00A310T-1	151275	4.0	6.3	RTA1-L	151191
TEFC	2	25	158165	West NP0024	145T	2.8	7/8"	480	3	CL00A310T-1	151275	2.5	4.1	RTA1-K	151190
TEFC	2	25	158166	T59028	145T	2.3	7/8"	575	3	CL00A310T-1	151275	1.9	2.7	RTA1-J	151189

Replacement Blower Motors and Starters - AFTER APRIL 1, 2013 - (Cont'd) (24 Volt Coils)

TEFC Motor (cont'd)										Starter (AN10)	P/N		Starter Overload			P/N
Type	HP	Option AL	P/N	Mfr's No.	Frame	Fla	Shaft	Volt	ph	Mfr's No.	P/N	Min	Max	GE #	P/N	
TEFC	3	26	111564	K222	F184T	30	1-1/8"	120	1	CL04A310M-1	151279	25	32	RTA1-V	151199	
TEFC	3	26	111564	K222	F184T	15	1-1/8"	240	1	CL02A310T-1	151277	14.5	18	RTA1-S	151196	
TEFC	3	26	159330	B - EM3559T	145T	7.9	7/8"	208	3	CL00A310T-1	151275	5.5	8.5	RTA1-N	151192	
TEFC	3	26	159330	B - EM3559T	145T	7.2	7/8"	240	3	CL00A310T-1	151275	5.5	8.5	RTA1-N	151192	
TEFC	3	26	159330	B - EM3559T	145T	3.6	7/8"	480	3	CL00A310T-1	151275	2.5	4.1	RTA1-K	151190	
TEFC	3	26	**158168	B-EM3559T-5	145T	2.8	7/8"	575	3	CL00A310T-1	151275	2.5	4.1	RTA1-K	151190	
TEFC	5	27	111567	K223	F184T	20.2	1-1/8"	240	1	CL25A310T-1	151278	17.5	22	RTA1-T	151197	
TEFC	5	27	155048	West NP0052	184T	12.6	1-1/8"	208	3	CL02A310T-1	151277	10.0	16.0	RTA1-P	151194	
TEFC	5	27	155048	West NP0052	184T	11.4	1-1/8"	240	3	CL01A310T-1	151276	10.0	16.0	RTA1-P	151194	
TEFC	5	27	155048	West NP0052	184T	5.7	1-1/8"	480	3	CL00A310T-1	151275	4.0	6.3	RTA1-L	151191	
TEFC	5	27	158170	AOS T59005	184T	4.7	1-1/8"	575	3	CL00A310T-1	151275	4.0	6.3	RTA1-L	151191	
TEFC	7.5	32	105842	AOS-K305	F215T	34	1-3/8"	240	1	CL06A311M-1	203687	30.0	43.0	RTA2-E	151206	
TEFC	7.5	32	158171	WEST-NP7/54	213T	19.5	1-3/8"	208	3	CL04A310M-1	151279	17.5	22.0	RTA1-T	151197	
TEFC	7.5	32	158171	WEST-NP7/54	213T	17.7	1-3/8"	240	3	CL25A310T-1	151278	17.5	22.0	RTA1-T	151197	
TEFC	7.5	32	158171	WEST-NP7/54	213T	8.9	1-3/8"	480	3	CL00A310T-1	151275	8.0	12.0	RTA1-N	151193	
TEFC	7.5	32	158172	AOS-T59031	213T	7.3	1-3/8"	575	3	CL00A310T-1	151275	5.5	8.5	RTA1-M	151192	
TEFC	10	33	105846	AOS-K313	215T	39	1-3/8"	240	1	CL06A311M-1	203687	30.0	43.0	RTA2-E	151206	
TEFC	10	33	158173	West NP0104	215T	25.7	1-3/8"	208	3	CL04A310M-1	151279	25.0	32.0	RTA1-V	151199	
TEFC	10	33	158173	West NP0104	215T	23.3	1-3/8"	240	3	CL04A310M-1	151279	21.0	26.0	RTA1-U	151198	
TEFC	10	33	158173	West NP0104	215T	11.6	1-3/8"	480	3	CL02A310T-1	151277	10.0	16.0	RTA1-P	151194	
TEFC	10	33	158174	AOS-T59032	215T	9	1-3/8"	575	3	CL00A310T-1	151275	8.0	12.0	RTA1-N	151193	
TEFC	15	34	142443	West NP0154	254T	38.1	1-5/8"	208	3	CL06A311M-1	203687	30.0	43.0	RTA2-E	151206	
TEFC	15	34	142443	West NP0154	254T	34.5	1-5/8"	240	3	CL06A311M-1	203687	30.0	43.0	RTA2-E	151206	
TEFC	15	34	142443	West NP0154	254T	17.3	1-5/8"	480	3	CL25A310T-1	151278	14.5	18.0	RTA1-S	151196	
TEFC	15	34	142444	AOS-T59033	254T	14.8	1-5/8"	575	3	CL02A310T-1	151277	14.5	18.0	RTA1-S	151196	
TEFC	20	35	142301	West NP0204	256T	50.8	1-5/8"	208	3	CL07A311M-1	203793	42.0	55.0	RTA2-G	151202	
TEFC	20	35	142301	West NP0204	256T	46	1-5/8"	240	3	CL04A311M-1	203793	42.0	55.0	RTA2-G	151202	
TEFC	20	35	142301	West NP0204	256T	23	1-5/8"	480	3	CL04A310M-1	151279	21.0	26.0	RTA1-U	151198	
TEFC	20	35	142302	AOS-T59034	256T	19.6	1-5/8"	575	3	CL25A310T-1	151278	17.5	22.0	RTA1-T	151197	

Drive Options and Components

Drive components include the belt, motor pulley, blower pulley, and bushings, if required. The table at the right identifies the RPM range of the drive option. Drive options are listed by AM No. (**NOTE: Components may have changed. If shaft size is different than listed or if there are no parts listed, check the replacement parts tag and/or contact the distributor or factory service for replacement parts.**)

Belt Tension - Check belt tension. Proper belt tension is important to the long life of the belt and motor. A loose belt will cause wear and slippage. Too much tension will cause excessive motor and blower bearing wear. If adjustment is required, adjust belt tension with the adjusting screw on the motor base until the belt can be depressed 1/2" to 3/4". Tighten the lock nut on the adjusting screw. Be sure the belt is aligned in the pulleys.

OPT	RPM Range	OPT	RPM Range	OPT	RPM Range	OPT	RPM Range
AM2	451-500	AM8	751-800	AM14	1051-1100	AM19	1301-1350
AM3	501-550	AM9	801-850	AM15	1101-1150	AM20	1351-1400
AM4	551-600	AM10	851-900	AM16	1151-1200	AM21	1401-1450
AM5	601-650	AM11	901-950	AM17	1201-1250	AM22	1451-1500
AM6	651-700	AM12	951-1000	AM18	1251-1300	AM23	1501-1550
AM7	701-750	AM13	1001-1050				

Drives - Model Series SCE Series 6 with Open Motor

*Distance between blower shaft and motor centerline with belts tensioned properly.
 **Not for Model 200 or 225.
 A Use a 3/4" "H" blower pulley bushing, P/N 105487;
 C Use a 1" blower pulley bushing, P/N 92203;
 D Use a 1" Q1 motor pulley bushing, P/N 6605.

Unit Sizes	Motor		Voltage Option	Drive AM Nos.		Motor Pulley			Blower Pulley			Belt			*Shaft Centerline
	HP	Opt		(See Key, chart above)	P/N	Mfr #	Bore	P/N	Mfr #	Bore	P/N	Qty	Mfr #		
125	1/4	AL2	AK1 (115/1); AK2 (208/1); AK3 (230/1); AK5 (208/3); AK6 (230/3); AK7 (460/3)	AM 1, 2, 3, 4	4074	1VL34	1/2	19110	AK84	3/4	105493	1	A39	11.82	
				AM 5, 6, 7, 8, 9	13491	1VL40	1/2	111607	AK74	3/4	16018	1	A38	12.06	
	AM 2, 3, 4	4074		1VP34	1/2	19110	AK84	3/4	105493	1	A39	11.56			
	AM 5, 6, 7	13491		1VL40	1/2	111607	AK74	3/4	16018	1	A38	11.82			
	AM 9, 10, 11, 12, 13, 14	4074		1VP34	1/2	105477	AK46	3/4	101291	1	A33	11.56			
	AM 5, 6, 7, 8	13580		1VL34	5/8	19108	AK64	3/4	105490	1	A36	12.57			
	AM 9, 10, 11	105476	1VL44	5/8	105484	AK71H ^A	3/4	105493	1	A39	12.32				
	AM 12, 13, 14, 15, 16, 17, 18	13580	1VL34	5/8	105478	AK41	3/4	101291	1	A33	12.46				
	AM 7, 8, 9, 10	7962	1VL40	5/8	19108	AK64	3/4	16018	1	A38	12.70				
	AM 11, 12, 13, 14, 15	13580	1VL34	5/8	105477	AK46	3/4	105488	1	A34	12.56				
	AM 16, 17, 18, 19, 20, 21, 22	7962	1VL40	5/8	105478	AK41	3/4	105488	1	A34	12.58				
	AM 9, 10, 11, 12, 13, 14, 15	13580	1VL34	5/8	105477	AK46	3/4	105488	1	A34	12.56				
	AM 16, 17, 18, 19, 20, 21, 22	7962	1VL40	5/8	105478	AK41	3/4	105488	1	A34	12.50				
	AM 11, 12, 13	105476	1VL44	5/8	19108	AK64	3/4	16018	1	A38	12.40				
	AM 14, 15, 16, 17	7962	1VL40	5/8	105479	AK49	3/4	105489	1	A35	12.43				
	AM 18, 19, 20, 21, 22	7962	1VL40	5/8	105478	AK41	3/4	105488	1	A34	12.58				
	AM 13, 14, 15, 16, 17	7962	1VL40	5/8	105479	AK49	3/4	105489	1	A35	12.43				
	AM 18, 19, 20, 21, 22	7962	1VL40	5/8	105478	AK41	3/4	105488	1	A34	12.58				
AM 13, 14, 15, 16, 17	13013	1VM50	5/8	111606	BK140	3/4	92221	1	B52	12.46					
AM 18, 19, 20, 21, 22, 23, 24	13013	1VM50	5/8	111607	AK74	3/4	105493	1	A39	12.27					

Unit Sizes	Motor		Voltage Option	Drive AM Nos. (See Key, chart on page 20)			Motor Pulley			Blower Pulley			Belt			*Shaft
	HP	Opt		P/N	Mfr #	Bore	P/N	Mfr #	Bore	P/N	Qty	Mfr #	Centerline			
150 175 200 225	1/2	AL4	AK1 (115/1); AK2 (208/1); AK3 (230/1); AK5 (208/3); AK6 (230/3); AK7 (460/3); AK8 (575/3)	AM 2, 3, 4	13580	1VL34	5/8	19111	AK84	1	50470	1	A43	14.00		
				AM 5, 6, 7, 8	13580	1VL34	5/8	18797	AK64	1	16019	1	A40	14.08		
				AM 9, 10, 11	13580	1VL34	5/8	105481	AK46	1	105491	1	A37	14.06		
	AM 5, 6, 7, 8	13580		1VL34	5/8	18797	AK64	1	16019	1	A40	14.58				
	AM 9, 10, 11, 12, 13, 14, 15	13580		1VL34	5/8	105481	AK46	1	105491	1	A37	14.56				
	AM 7, 8	13580		1VL34	5/8	18797	AK64	1	16019	1	A40	14.08				
	AM 9, 10, 11, 12, 13, 14	13580		1VL34	5/8	105481	AK46	1	105491	1	A37	14.06				
	AM 15, 16, 17	7962		1VL40	5/8	105481	AK46	1	16018	1	A38	14.18				
	AM 9, 10, 11	105476		1VL44	5/8	19108	AK64	1	101412	1	A42	13.83				
	1-1/2	AL7	AM 12, 13, 14, 15, 16	105476	1VL44	5/8	105484	AK71H ^c	1	16019	1	A40	14.07			
			AM 17, 18	7962	1VL40	5/8	105482	AK56	1	16018	1	A38	14.18			
			AM 9, 10, 11	7962	1VL40	5/8	18797	AK64	1	50500	1	A41	17.21			
	2	AL8	AM 12, 13, 14, 15, 16, 17	105476	1VL44	5/8	105482	AK56	1	16019	1	A40	14.07			
			AM 18, 19, 20	7962	1VL40	5/8	105481	AK46	1	16018	1	A38	14.18			
			AM 13, 14, 15, 16, 17	13013	1VM50	5/8	152022	BK140	1	50474	1	A47	14.20			
	3	AL9	AM 18, 19, 20, 21	13013	1VM50	5/8	263612	AK74	1	52966	1	A44	14.00			
			AM 16, 17, 18, 19, 20, 21, 22	87500	2VP36	7/8	91633	2TB86P	1	16139	1	B45	14.31			
	5	AL10	AM 20, 21, 22, 23	8973	2VP50	7/8	7955	2BK100	1	50477	1	A49	14.07			
AM 2, 3, 4			13580	1VL34	5/8	19111	AK84	1	105493	1	A39	11.82				
250 300	1/2	AL4	AK5 (208/3); AK6 (230/3); AK7 (460/3); AK8 (575/3)	AM 5, 6, 7, 8	13580	1VL34	5/8	18797	AK64	1	105490	1	A36	12.06		
				AM 5, 6, 7	13580	1VL34	5/8	18797	AK64	1	105490	1	A36	12.06		
				AM 8, 9, 10, 11	13580	1VL34	5/8	105482	AK56	1	105489	1	A35	12.24		
	3/4	AL5		AM 7, 8, 9, 10, 11	13580	1VL34	5/8	105482	AK56	1	105489	1	A35	12.24		
				AM 12, 13, 14, 15, 16	13580	1VL34	5/8	105481	AK46	1	101291	1	A33	12.06		
				AM 20, 21, 22, 23	8973	2VP50	7/8	7955	2BK100	1	50477	1	A49	14.07		
1	AL6	AM 2, 3, 4	13580	1VL34	5/8	19111	AK84	1	105493	1	A39	11.82				
		AM 5, 6, 7, 8	13580	1VL34	5/8	18797	AK64	1	105490	1	A36	12.06				
250 300	1-1/2	AL7	AAK1 (115/1); AK2 (208/1); AK3 (230/1); AK5 (208/3); AK6 (230/3); AK7 (460/3); AK8 (575/3)	AM 9, 10, 11	7962	1VL40	5/8	18797	AK64	1	105491	1	A37	12.2		
				AM 12, 13, 14, 15, 16	105476	1VL44	5/8	105482	AK56	1	105491	1	A36	12.06		
				AM 17, 18, 19, 20, 21, 22, 23	105476	1VL44	5/8	105481	AK46	1	105489	1	A35	12.37		
	2	AL8		AM 9, 10, 11	7962	1VL40	5/8	18797	AK64	1	105491	1	A37	12.20		
				AM 12, 13, 14, 15, 16	105476	1VL44	5/8	105482	AK56	1	105490	1	A36	12.06		
				AM 17, 18, 19, 20, 21, 22, 23	105476	1VL44	5/8	105481	AK46	1	105489	1	A35	12.37		
	3	AL9		AM 9, 10, 11, 12	7962	1VL40	5/8	202652	AK124	1	50475	1	A49	12.14		
				AM 13, 14, 15, 16, 17	7962	1VL40	5/8	202653	AK94	1	52966	1	A44	12.14		
				AM 18, 19, 20, 21, 22	7962	1VL40	5/8	105483	AK89	1	16019	1	A40	12.02		
	5	AL10		AM 15, 16, 17, 18, 19	87500	2VP36	7/8	91633	2TB86P	1	111738	1	B41	12.27		
				AM 20, 21, 22, 23	8973	2VP50	7/8	7955	2AK104	1	50472	1	A45	12.02		
				AM 2, 3, 4	13580	1VL34	5/8	19111	AK84	1	52966	1	A44	14.37		
350 400	3/4	AL5	AK1 (115/1); AK2 (208/1); AK3 (230/1); AK5 (208/3); AK6 (230/3); AK7 (460/3)	AM 5, 6	7962	1VL40	5/8	19111	AK84	1	52966	1	A44	14.01		
				AM 3, 4, 5, 6	13580	1VL34	5/8	105484	AK71H ^c	1	50500	1	A41	13.98		
				AM 7, 8, 9, 10, 11	13580	1VL34	5/8	105482	AK56	1	105493	1	A39	14.25		
1	AL6	AM 6, 7, 8, 9		7962	1VL40	5/8	105484	AK71H ^c	1	101412	1	A42	14.12			
		AM 10, 11, 12, 13		105476	1VL44	5/8	18797	AK64	1	101412	1	A42	13.91			
		AM 14, 15, 16, 17, 18		7962	1VL40	5/8	105481	AK46	1	16048	1	A38	14.18			
350 400	1-1/2	AL7		AM 9, 10, 11	7962	1VL40	5/8	18797	AK64	1	50500	1	A41	14.21		
				AM 12, 13, 14, 15, 16	105476	1VL44	5/8	105482	AK56	1	16019	1	A40	14.07		
				AM 17, 18, 19, 20	7962	1VL40	5/8	105481	AK46	1	16018	1	A38	14.18		
	2	AL8		AM 9, 10, 11, 12	7962	1VL40	5/8	202652	AK124	1	50513	1	A52	12.14		
				AM 13, 14, 15, 16, 17, 18, 19	7962	1VL40	5/8	202653	AK94	1	50474	1	A47	12.14		
				AM 20, 21, 22, 23, 24, 25, 26	7962	1VL40	5/8	105483	AK69	1	50470	1	A43	12.02		
	3	AL9	AM 12, 13, 14, 15, 16, 17	6599	2VP42	7/8	7955	2AK104	1	65403	1	A48	14.11			
			AM 18, 19, 20, 21, 22	8973	2VP50	7/8	7955	2AK104	1	50472	1	A49	14.06			
			AM 11, 12, 13	106758	1VL44	7/8	19108	AK64	3/4	16018	1	A38	12.40			

Drive Components - Model SCE Series 6 w/Totally Enclosed (TEFC) Motor (See drive information, page 20)

Unit Sizes	Motor		Voltage Option	Drive AM Nos. (See Key, chart on page 20)			Motor Pulley			Blower Pulley			Belt			*Shaft
	HP	Opt		P/N	Mfr #	Bore	P/N	Mfr #	Bore	P/N	Qty	Mfr #	Centerline			
125	1/4	AL19	AK1 (115/1); AK2 (208/1); AK3 (230/1); AK5 (208/3); AK6 (230/3); AK7 (460/3)	AM 1, 2, 3, 4	13580	1VL34	5/8	19110	AK84	3/4	16019	1	A40	12.32		
				AM 5, 6, 7, 8, 9	7962	1VL40	5/8	111607	AK74	3/4	105493	1	A39	12.56		
	1/3	AL20		AM 2, 3, 4	4074	1VP34	1/2	19110	AK84	3/4	105493	1	A39	11.82		
				AM 5, 6, 7, 8	13491	1VL40	1/2	111607	AK74	3/4	16018	1	A38	11.56		
	1/2	AL21		AM 9, 10, 11, 12, 13, 14	4074	1VP34	1/2	105477	AK46	3/4	101291	1	A33	11.56		
				AM 5, 6, 7, 8	13580	1VL34	5/8	19108	AK64	3/4	105490	1	A36	12.57		
	3/4	AL22		AM 9, 10, 11	105476	1VL44	5/8	105484	AK71H ^a	3/4	105493	1	A39	12.32		
				AM 12, 13, 14, 15, 16, 17, 18	13580	1VL34	5/8	105478	AK41	3/4	101291	1	A33	12.46		
				AM 7, 8, 9, 10	7962	1VL40	5/8	19108	AK64	3/4	16018	1	A38	12.7		
	1	AL23		AM 11, 12, 13, 14, 15	13580	1VL34	5/8	105477	AK46	3/4	105488	1	A34	12.56		
				AM 16, 17, 18, 19, 20, 21, 22	7962	1VL40	5/8	105478	AK41	3/4	105488	1	A34	12.58		
				AM 9, 10, 11, 12, 13, 14, 15	13580	1VL34	5/8	105477	AK46	3/4	105488	1	A34	12.56		
	1-1/2	AL24	AM 16, 17, 18, 19, 20, 21, 22	7962	1VL40	5/8	105478	AK41	3/4	105488	1	A34	12.50			
			AM 11, 12, 13	105476	1VL44	5/8	19108	AK64	3/4	16018	1	A38	12.40			
			AM 14, 15, 16, 17	7962	1VL40	5/8	105479	AK49	3/4	105489	1	A35	12.43			
	2	AL25	AM 18, 19, 20, 21, 22	7962	1VL40	5/8	105478	AK41	3/4	105488	1	A34	12.58			
			AM 11, 12, 13	106758	1VL44	7/8	19108	AK64	3/4	16018	1	A38	12.40			
			AM 14, 15, 16, 17	106748	1VL40	7/8	105479	AK49	3/4	105489	1	A35	12.43			
	3	AL26	AM 18, 19, 20, 21, 22	106748	1VL40	7/8	105478	AK41	3/4	105488	1	A34	12.58			
			AM 13, 14, 15, 16, 17	37451	1VM50	7/8	111606	BK140	3/4	92221	1	B52	12.46			
			AM 18, 19, 20, 21, 22, 23, 24	37451	1VM50	7/8	111607	AK74	3/4	105493	1	A39	12.27			

Drive Components - Model SCE Series 6 w/Totally Enclosed (TEFC) Motor - (cont'd)

Unit Sizes	Motor		Voltage Option	Drive AM Nos.	Motor Pulley			Blower Pulley			Belt			*Shaft Centerline
	HP	Opt		(See Key, chart on page 20)	P/N	Mfr #	Bore	P/N	Mfr #	Bore	P/N	Qty	Mfr #	
150 175 200 225	1/3	AL20	AK1 (115/1); AK2 (208/1); AK3 (230/1); AK5 (208/3); AK6 (230/3); AK7 (460/3)	AM 2, 3, 4	4074	1VL34	1/2	19111	AK84	1	50470	1	A43	13.86
				AM 5, 6, 7	4074	1VL34	1/2	18797	AK64	1	16019	1	A40	14.08
	1/2	AL21	AK1 (115/1); AK2 (208/1); AK3 (230/1); AK5 (208/3); AK6 (230/3); AK7 (460/3); AK8 (575/3)	AM 2, 3, 4	13580	1VL34	5/8	19111	AK84	1	50470	1	A43	14.00
				AM 5, 6, 7, 8	13580	1VL34	5/8	18797	AK64	1	16019	1	A40	14.08
	3/4	AL22	AK1 (115/1); AK2 (208/1); AK3 (230/1); AK5 (208/3); AK6 (230/3); AK7 (460/3); AK8 (575/3)	AM 9, 10, 11	13580	1VL34	5/8	105481	AK46	1	105491	1	A37	14.06
				AM 5, 6, 7, 8	13580	1VL34	5/8	18797	AK64	1	16019	1	A40	14.58
	1	AL23	AK1 (115/1); AK2 (208/1); AK3 (230/1); AK5 (208/3); AK6 (230/3); AK7 (460/3); AK8 (575/3)	AM 9, 10, 11, 12, 13, 14, 15	13580	1VL34	5/8	105481	AK46	1	105488	1	A34	14.56
				AM 7, 8	13580	1VL34	5/8	18797	AK64	1	16019	1	A40	14.08
	1-1/2	AL24	AK1 (115/1); AK2 (208/1); AK3 (230/1); AK5 (208/3); AK6 (230/3); AK7 (460/3)	AM 9, 10, 11, 12, 13, 14	13580	1VL34	5/8	105481	AK46	1	105491	1	A34	14.06
				AM 15, 16, 17	7962	1VL40	5/8	105481	AK46	1	16018	1	A38	14.18
	1-1/2	AL24	AK8 (575/3)	AM 9, 10, 11	105476	1VL44	5/8	105484	AK71H ^A	1	101412	1	A42	13.83
				AM 12, 13, 14, 15, 16	105476	1VL44	5/8	105482	AK56	1	16019	1	A40	14.07
	2	AL25	AK5 (208/3); AK6 (230/3); AK7 (460/3); AK8 (575/3)	AM 17, 18	7962	1VL40	5/8	105481	AK46	1	16018	1	A38	14.18
				AM 9, 10, 11	106758	1VL44	7/8	105484	AK71H ^A	1	101412	1	A42	13.83
	2	AL25	AK5 (208/3); AK6 (230/3); AK7 (460/3); AK8 (575/3)	AM 12, 13, 14, 15, 16	106748	1VL40	7/8	105482	AK56	1	16019	1	A40	14.07
AM 17, 18				106748	1VL40	7/8	18797	AK64	1	50500	1	A41	14.21	
3	AL26	AK5 (208/3); AK6 (230/3); AK7 (460/3); AK8 (575/3)	AM 12, 13, 14, 15, 16, 17	106758	1VL44	7/8	105482	AK56	1	16019	1	A40	14.07	
			AM 18, 19, 20	106748	1VL40	7/8	105481	AK46	1	16018	1	A38	14.18	
3	AL26	AK5 (208/3); AK6 (230/3); AK7 (460/3); AK8 (575/3)	AM 13, 14, 15, 16, 17	106748	1VL40	7/8	111609	AK99	1	50474	1	A47	14.20	
			AM 18, 19, 20, 21	106748	1VL40	7/8	19111	AK84	1	52966	1	A44	14.00	
250 300	1/2	AL21	AK1 (115/1); AK2 (208/1); AK3 (230/1); AK5 (208/3); AK6 (230/3); AK7 (460/3); AK8 (575/3)	AM 2, 3, 4	13580	1VL34	5/8	19111	AK84	1	105493	1	A39	11.82
				AM 5, 6, 7, 8	13580	1VL34	5/8	18797	AK64	1	105490	1	A36	12.06
	3/4	AL22	AK1 (115/1); AK2 (208/1); AK3 (230/1); AK5 (208/3); AK6 (230/3); AK7 (460/3); AK8 (575/3)	AM 5, 6, 7	13580	1VL34	5/8	18797	AK64	1	105490	1	A36	12.06
				AM 8, 9, 10, 11	13580	1VL34	5/8	105482	AK56	1	105489	1	A35	12.24
	1	AL23	AK1 (115/1); AK2 (208/1); AK3 (230/1); AK5 (208/3); AK6 (230/3); AK7 (460/3); AK8 (575/3)	AM 7, 8, 9, 10, 11	13580	1VL34	5/8	105482	AK56	1	105489	1	A35	12.24
				AM 12, 13, 14, 15, 16	13580	1VL34	5/8	105481	AK46	1	101291	1	A33	12.06
	1-1/2	AL24	AK1 (115/1); AK2 (208/1); AK3 (230/1); AK5 (208/3); AK6 (230/3); AK7 (460/3)	AM 9, 10, 11	7962	1VL40	5/8	18797	AK64	1	105491	1	A37	12.2
				AM 12, 13, 14, 15, 16	105476	1VL44	5/8	105482	AK56	1	105491	1	A37	12.06
	1-1/2	AL24	AK8 (575/3)	AM 17, 18, 19, 20, 21, 22, 23	105476	1VL44	5/8	105481	AK46	1	105489	1	A35	12.37
				AM 9, 10, 11	106748	1VL40	7/8	18797	AK64	1	105491	1	A37	12.20
	2	AL25	AK5 (208/3); AK6 (230/3); AK7 (460/3); AK8 (575/3)	AM 12, 13, 14, 15, 16	106758	1VL44	7/8	105482	AK56	1	105491	1	A37	12.06
				AM 17, 18, 19, 20, 21, 22, 23	106758	1VL44	7/8	105481	AK46	1	105489	1	A35	12.37
	2	AL25	AK5 (208/3); AK6 (230/3); AK7 (460/3); AK8 (575/3)	AM 9, 10, 11	106748	1VL40	7/8	18797	AK64	1	105491	1	A37	12.06
				AM 12, 13, 14, 15, 16	106758	1VL44	7/8	105482	AK56	1	105490	1	A36	
	3	AL26	AK5 (208/3); AK6 (230/3); AK7 (460/3); AK8 (575/3)	AM 17, 18, 19, 20, 21, 22, 23	106758	1VL44	7/8	105481	AK46	1	105489	1	A35	
AM 13, 14, 15, 16, 17				106748	1VL40	7/8	111609	AK99	1	50470	1	A43	12.14	
3	AL26	AK5 (208/3); AK6 (230/3); AK7 (460/3); AK8 (575/3)	AM 18, 19, 20, 21, 22	37451	1VM50	7/8	16153	AK104	1	50472	1	A45	12.02	
			AM 9, 10, 11	106748	1VL40	7/8	18797	AK64	1	105491	1	A37		
350 400	3/4	AL22	AK1 (115/1); AK2 (208/1); AK3 (230/1); AK5 (208/3); AK6 (230/3); AK7 (460/3)	AM 2, 3, 4	13580	1VL34	5/8	19111	AK84	1	52966	1	A44	14.37
				AM 5, 6	7962	1VL40	5/8	19111	AK84	1	52966	1	A44	14.01
1	AL23	AK1 (115/1); AK2 (208/1); AK3 (230/1); AK5 (208/3); AK6 (230/3); AK7 (460/3)	AM 3, 4, 5, 6	13580	1VL34	5/8	105484	AK71H ^C	1	50500	1	A41	13.98	
			AM 7, 8, 9, 10, 11	13580	1VL34	5/8	105482	AK56	1	105493	1	A39	14.25	
350 400	1-1/2	AL24	AK1 (115/1); AK2 (208/1); AK3 (230/1); AK5 (208/3); AK6 (230/3); AK7 (460/3)	AM 6, 7, 8, 9	7962	1VL40	5/8	105484	AK71H ^C	1	101412	1	A42	14.12
				AM 10, 11, 12, 13	105476	1VL44	5/8	18797	AK64	1	101412	1	A42	13.91
	1-1/2	AL24	AK8 (575/3)	AM 14, 15, 16, 17, 18	7962	1VL40	5/8	105481	AK46	1	16018	1	A38	14.18
				AM 6, 7, 8, 9	106748	1VL40	7/8	105484	AK71H ^C	1	101412	1	A42	14.12
	2	AL25	AK5 (208/3); AK6 (230/3); AK7 (460/3)	AM 10, 11, 12, 13	106758	1VL44	7/8	18797	AK64	1	101412	1	A42	13.91
				AM 14, 15, 16, 17, 18	106748	1VL40	7/8	105481	AK46	1	16018	1	A38	14.18
	2	AL25	AK5 (208/3); AK6 (230/3); AK7 (460/3)	AM 9, 10, 11	106748	1VL40	7/8	18797	AK64	1	50500	1	A41	14.21
				AM 12, 13, 14, 15, 16	106758	1VL44	7/8	105482	AK56	1	16019	1	A40	14.07
	3	AL26	AK5 (208/3); AK6 (230/3); AK7 (460/3); AK8 (575/3)	AM 17, 18, 19, 20	106748	1VL40	7/8	105481	AK46	1	16018	1	A38	14.18
				AM 9, 10, 11, 12, 13	106758	1VL44	7/8	50520	AK99	1	16131	1	A54	14.22
	3	AL26	AK5 (208/3); AK6 (230/3); AK7 (460/3); AK8 (575/3)	AM 14, 15, 16, 17, 18, 19	106758	1VL44	7/8	16153	AK104	1	65403	1	A48	13.97

*Distance between blower shaft and motor centerline with belts tensioned properly. **Not for Model 200 or 225.

^A Use a 3/4 "H" blower pulley bushing, P/N 105487; ^C Use a 1" blower pulley bushing, P/N 92203; ^P Use a 1" Q1 motor pulley bushing, P/N 6605.

**Drive Components
- Model SCE
Series 6 with
Premium
Efficiency
Motor (See drive
information, top of
page 20)**

Unit Sizes	Motor		Voltage Option	Drive AM Nos. (See Key, chart on page 20)			Motor Pulley			Blower Pulley			Belt			*Shaft Centerline
	HP	Opt		P/N	Mfr #	Bore	P/N	Mfr #	Bore	P/N	Qty	Mfr #				
125	1	AL36	AK5 (208/3); AK6 (230/3); AK7 (460/3); AK8 (575/3)	AM 9, 10, 11, 12, 13, 14, 15	110125	1VP34	7/8	105477	AK46	3/4	105488	1	A34	12.56		
				AM 16, 17, 18, 19, 20, 21, 22	106748	1VL40	7/8	105478	AK41	3/4	105488	1	A34	12.5		
	1-1/2	AL37		AM 11, 12, 13	106758	1VL44	7/8	19108	AK64	3/4	16018	1	A38	12.4		
				AM 14, 15, 16, 17	106748	1VL40	7/8	105479	AK49	3/4	105489	1	A35	12.43		
	2	AL38		AM 18, 19, 20, 21, 22	106748	1VL40	7/8	105478	AK41	3/4	105488	1	A34	12.58		
				AM 13, 14, 15, 16, 17	106748	1VL40	7/8	105479	AK49	3/4	105489	1	A35	12.43		
	3	AL39		AM 18, 19, 20, 21, 22	106748	1VL40	7/8	105478	AK41	3/4	105488	1	A34	12.58		
				AM 13, 14, 15, 16, 17	37451	1VM50	7/8	111606	BK140	3/4	92221	1	B52	12.46		
	150	1		AL36	AM 7, 8	110125	1VP34	7/8	18797	AK64	1	16019	1	A40	14.08	
					AM 9, 10, 11, 12, 13, 14	110125	1VP34	7/8	105481	AK46	1	105490	1	A36	14.06	
175	1-1/2	AL37	AM 15, 16, 17	106748	1VL40	7/8	105481	AK46	1	16018	1	A38	14.18			
			AM 9, 10, 11	106758	1VL44	7/8	105484	AK71HC	1	101412	1	A42	13.83			
200	1-1/2	AL37	AM 12, 13, 14, 15, 16	106758	1VL44	7/8	105482	AK56	1	16019	1	A40	14.07			
			AM 17, 18, 19, 20	106748	1VL40	7/8	105481	AK46	1	16018	1	A38	14.18			
225	2	AL38	AM 9, 10, 11	106748	1VL40	7/8	18797	AK64	1	50500	1	A41	14.21			
			AM 12, 13, 14, 15, 16, 17	106758	1VL44	7/8	105482	AK56	1	16019	1	A40	14.07			
250	1-1/2	AL37	AM 18, 19, 20	106748	1VL40	7/8	105481	AK46	1	16018	1	A38	14.18			
			AM 13, 14, 15, 16, 17	106748	1VL40	7/8	111609	AK99	1	50474	1	A47	14.2			
300	2	AL38	AM 18, 19, 20, 21	106748	1VL40	7/8	19111	AK84	1	52966	1	A44	14			
			AM 7, 8, 9, 10, 11	110125	1VP34	7/8	105482	AK56	1	105489	1	A35	12.24			
250	1-1/2	AL37	AM 12, 13, 14, 15, 16	110125	1VP34	7/8	105481	AK46	1	101291	1	A33	12.06			
			AM 9, 10, 11	106748	1VL40	7/8	18797	AK64	1	105491	1	A37	12.2			
300	2	AL38	AM 12, 13, 14, 15, 16	106758	1VL44	7/8	105482	AK56	1	105490	1	A36	12.06			
			AM 17, 18, 19, 20, 21, 22, 23	106758	1VL44	7/8	105481	AK46	1	105489	1	A35	12.37			
300	3	AL39	AM 9, 10, 11	106748	1VL40	7/8	18797	AK64	1	105491	1	A37	12.2			
			AM 12, 13, 14, 15, 16	106758	1VL44	7/8	105482	AK56	1	105490	1	A36	12.06			
350	1-1/2	AL37	AM 17, 18, 19, 20, 21, 22, 23	106758	1VL44	7/8	105481	AK46	1	105489	1	A35	12.37			
			AM 9, 10, 11	106748	1VL40	7/8	18797	AK64	1	105491	1	A37	12.2			
400	2	AL38	AM 13, 14, 15, 16, 17	106748	1VL40	7/8	111609	AK99	1	40570	1	A43	12.14			
			AM 18, 19, 20, 21, 22	37451	1VM50	7/8	16153	AK104	1	50472	1	A45	12.02			
350	1-1/2	AL37	AM 3, 4, 5, 6	110125	1VP34	7/8	105484	AK71HC	1	50500	1	A41	13.98			
			AM 7, 8, 9, 10, 11	110125	1VP34	7/8	105482	AK56	1	105493	1	A39	14.25			
400	2	AL38	AM 6, 7, 8, 9	106748	1VL40	7/8	105484	AK71HC	1	101412	1	A42	14.12			
			AM 10, 11, 12, 13	106758	1VL44	7/8	18797	AK46	1	101412	1	A42	13.91			
300	1-1/2	AL37	AM 14, 15, 16, 17, 18	106748	1VL40	7/8	105481	AK64	1	16048	1	A38	14.18			
			AM 9, 10, 11	106748	1VL40	7/8	18797	AK56	1	50500	1	A41	14.21			
400	3	AL39	AM 12, 13, 14, 15, 16	106758	1VL44	7/8	105482	AK46	1	16019	1	A40	14.07			
			AM 17, 18, 19, 20	106748	1VL40	7/8	105481	AK99	1	16018	1	A38	14.18			
300	2	AL38	AM 9, 10, 11, 12, 13	106758	1VL44	7/8	50520	AK104	1	16131	1	A54	14.22			
			AM 14, 15, 16, 17, 18, 19	106758	1VL44	7/8	16153	2AK104	1	65403	2	A48	13.97			

*Distance between blower shaft and motor centerline with belts tensioned properly.
 **Not for Model 200 or 225.
 A Use a 3/4 "H" blower pulley bushing, P/N 105487;
 C Use a 1" blower pulley bushing, P/N 92203;
 P Use a 1" Q1 motor pulley bushing, P/N 6605.

**Drive Components
- Model SCE
Series with
Two-Speed
Motor (See drive
information, top of
page 20)**

Unit Sizes	Motor		Voltage Option	Drive AM Nos. (See Key, chart on page 20)			Motor Pulley			Blower Pulley			Belt			*Shaft Centerline
	HP	Opt		P/N	Mfr #	Bore	P/N	Mfr #	Bore	P/N	Qty	Mfr #				
125	1	AL45	AK1 (115/1); AK2 (208/1); AK3 (230/1); AK5 (208/3); AK6 (230/3); AK7 (460/3)	AM 9, 10, 11, 12, 13, 14, 15	110125	1VP34	7/8	105477	AK46	3/4	105488	1	A34	12.56		
				AM 16, 17, 18, 19, 20, 21, 22	106748	1VL40	7/8	105478	AK41	3/4	105488	1	A34	12.5		
	1-1/2	AL46		AM 11, 12, 13	106758	1VL44	7/8	19108	AK64	3/4	16018	1	A38	12.4		
				AM 14, 15, 16, 17	106748	1VL40	7/8	105479	AK49	3/4	105489	1	A35	12.43		
	2	AL47		AM 18, 19, 20, 21, 22	106748	1VL40	7/8	105478	AK41	3/4	105488	1	A34	12.58		
				AM 13, 14, 15	111681	1VP50	1-1/8	111682	AK71	3/4	16019	1	A40	12.38		
	3	AL48		AM 16, 17, 18, 19, 20	111681	1VP50	1-1/8	111684	AK59	3/4	16018	1	A38	12.36		
				AM 21, 22, 23, 24	111681	1VP50	1-1/8	110762	BK57	3/4	110763	1	B38	12.2		
	150	1		AL45	AM 13, 14, 15	111681	1VP50	1-1/8	111682	AK71	3/4	16019	1	A40	12.38	
					AM 16, 17, 18, 19, 20	111681	1VP50	1-1/8	111684	AK59	3/4	1018	1	A38	12.36	
175	1-1/2	AL46	AM 21, 22, 23, 24	111681	1VP50	1-1/8	110762	BK57	3/4	110763	1	B38	12.2			
			AM 7, 8	110125	1VP34	7/8	18797	AK64	1	16019	1	A40	14.08			
200	1-1/2	AL46	AM 9, 10, 11, 12, 13, 14	110125	1VP34	7/8	105481	AK46	1	105490	1	A36	14.06			
			AM 15, 16, 17	106748	1VL40	7/8	105481	AK46	1	16018	1	A38	14.18			
225	2	AL47	AM 9, 10, 11	106758	1VL44	7/8	105484	AK71HC	1	101412	1	A42	13.83			
			AM 12, 13, 14, 15, 16	106758	1VL44	7/8	105482	AK56	1	16019	1	A40	14.07			
300	1-1/2	AL46	AM 17, 18, 19, 20	106748	1VL40	7/8	105481	AK46	1	16018	1	A38	14.18			
			AM 12, 13, 14, 15, 16	111681	1VP50	1-1/8	105483	AK69	1	50470	1	A43	14.05			
300	2	AL47	AM 17, 18, 19, 20	111681	1VP50	1-1/8	105482	AK56	1	50500	1	A41	14.11			
			AM 21, 22, 23, 24	111681	1VP50	1-1/8	111689	AK49	1	16019	1	A40	14.16			
300	3	AL48	AM 13, 14, 15, 16	111681	1VP50	1-1/8	105483	AK69	1	50470	1	A43	14.05			
			AM 17, 18, 19, 20	111681	1VP50	1-1/8	105482	AK56	1	50500	1	A41	14.11			
250	1-1/2	AL46	AM 21, 22, 23, 24	111681	1VP50	1-1/8	111689	AK49	1	16019	1	A40	14.16			
			AM 7, 8, 9, 10, 11	110125	1VP34	7/8	105482	AK56	1	105493	1	A39	12.24			
300	2	AL47	AM 12, 13, 14, 15, 16	110125	1VP34	7/8	105481	AK46	1	101291	1	A33	12.06			
			AM 9, 10, 11	106748	1VL40	7/8	18797	AK64	1	105491	1	A37	12.2			
300	3	AL48	AM 12, 13, 14, 15, 16	106758	1VL44	7/8	105482	AK56	1	105490	1	A36	12.06			
			AM 17, 18, 19, 20, 21, 22, 23	106758	1VL44	7/8	105481	AK46	1	105489	1	A35	12.37			
300	2	AL47	AM 12, 13, 14, 15, 16	111681	1VP50	1-1/8	105483	AK69	1	105493	1	A39	12.04			
			AM 17, 18, 19, 20	111681	1VP50	1-1/8	115716	AK59	1	105491	1	A37	11.86			
300	3	AL48	AM 21, 22, 23, 24	111681	1VP50	1-1/8	111689	AK49	1	105490	1	A36	12.16			
			AM 13, 14, 15, 16	111681	1VP50	1-1/8	105483	AK69	1	105493	1	A39	12.04			
300	2	AL47	AM 17, 18, 19, 20	111681	1VP50	1-1/8	115716	AK59	1	105491	1	A37	11.86			
			AM 21, 22, 23, 24	111681	1VP50	1-1/8	111689	AK49	1	105490	1	A36	12.16			

*Distance between blower shaft and motor centerline with belts tensioned properly.
 **Not for Model 200 or 225.
 C Use a 1" blower pulley bushing, P/N 92203.

Drive Components (cont'd) - Model SCE Series with Two-Speed Motor
(See drive information, top of page 20)

Unit Sizes	Motor		Voltage Option	Drive AM Nos.			Motor Pulley			Blower Pulley			Belt			*Shaft Centerline
	HP	Opt		(See Key, chart on page 20)	P/N	Mfr #	Bore	P/N	Mfr #	Bore	P/N	Qty	Mfr #			
350 400	1	AL45	AK5 (208/3); AK6 (230/3); AK7 (460/3)	AM 3, 4, 5, 6	110125	1VP34	7/8	105484	AK71HC	1	50500	1	A41	13.98		
				AM 7, 8, 9, 10, 11	110125	1VP34	7/8	105482	AK56	1	105493	1	A39	14.25		
	1-1/2	AL46		AM 6, 7, 8, 9	106748	1VL40	7/8	105484	AK71HC	1	101412	1	A42	14.12		
				AM 10, 11, 12, 13	106758	1VL44	7/8	18797	AK64	1	16019	1	A40	13.91		
	2	AL47		AM 14, 15, 16, 17, 18	106748	1VL40	7/8	105481	AK46	1	16018	1	A38	14.18		
				AM 12, 13, 14, 15, 16	111681	1VP50	1-1/8	105483	AK69	1	50470	1	A43	14.05		
				AM 17, 18, 19, 20	111681	1VP50	1-1/8	105482	AK56	1	50500	1	A41	14.11		
				AM 21, 22, 23, 24	111681	1VP50	1-1/8	111689	AK49	1	16019	1	A40	14.16		
				AM 12, 13, 14, 15, 16	111681	1VP50	1-1/8	105483	AK69	1	50470	1	A43	14.05		
				AM 17, 18, 19, 20	111681	1VP50	1-1/8	105482	AK56	1	50500	1	A41	14.11		
	3	AL48		AM 21, 22, 23, 24	111681	1VP50	1-1/8	111689	AK49	1	16019	1	A40	14.16		
				AM 12, 13, 14, 15, 16, 17	6599	2VP42	7/8	7955	2AK104	1	65403	2	A48	14.11		
				AM 18, 19, 20, 21, 22	8973	2VP50	7/8	7955	2AK104	1	50472	2	A49	14.06		

Drive Components - Model SSCBL with Open Motor
(See drive information, top of page 20)

Unit Sizes	Motor		Voltage Option	Drive AM Nos.			Motor Pulley			Blower Pulley			Belt			*Shaft Centerline
	HP	Opt		(See Key, chart page 20)	P/N	Mfr #	Bore	P/N	Mfr #	Bore	P/N	Qty	Mfr #			
All "BL" Units	1	AL6	AK1 (115/1); AK2 (208/1); AK3 (230/1); AK5 (208/3); AK6 (230/3); AK7 (460/3); AK8 (575/3)	AM 2, 3, 4	13580	1VL34	5/8	111862	AK84	1-3/16	16134	1	A57	20.94		
				AM 5, 6, 7	13580	1VL34	5/8	105484	AK71HA	1-3/16	16134	1	A57	21.03		
	1-1/2	AL7		AM 3, 4, 5, 6, 7	13580	1VL34	5/8	105484	AK71HA	1-3/16	16134	1	A57	21.03		
				AM 8, 9, 10, 11	105476	1VL44	5/8	106256	AK74	1-3/16	16134	1	A57	21.11		
	2	AL8		AM 3, 4, 5, 6, 7	110125	1VP34	7/8	105484	AK71HA	1-3/16	16132	1	A55	20.03		
				AM 8, 9, 10, 11	106758	1VL44	7/8	105484	AK71HA	1-3/16	16133	1	A56	20.85		
				AM 12, 13, 14, 15, 16	106758	1VL44	7/8	110807	AK56HA	1-3/16	16131	1	A54	21.07		
	3	AL9		AM 7, 8, 9	37451	1VM50	7/8	16160	AK184	1-3/16	92264	1	A78	20.95		
				AM 10, 11, 12, 13	106758	1VL44	7/8	16158	AK134	1-3/16	16558	1	A69	20.96		
				AM 14, 15, 16, 17, 18	37451	1VM50	7/8	16156	AK124	1-3/16	111870	1	A66	20.92		
	5	AL10		AM 8, 9, 10, 11	6599	2VP42	7/8	16161	2AK134	1-3/16	92408	1	A68	21.08		
				AM 12, 13, 14, 15	87500	2VP36	7/8	16003	2BK100	1-3/16	88560	1	A61	21.01		
				AM 16, 17, 18, 19, 20	6599	2VP42	7/8	16003	2BK100	1-3/16	16137	1	A62	21.08		
	7-1/2	AL11		AM 10, 11	16150	2VP62	1-3/8	16168	2BK110	1-3/16	92414	1	B64	20.47		
				AM 12, 13	16150	2VP62	1-3/8	16003	2BK100	1-3/16	7950	1	B62	20.31		
				AM 14, 15, 16	16150	2VP62	1-3/8	91633	2TB86 B	1-3/16	92280	1	BX59	20.47		
	10	AL12		AM 17, 18, 19, 20	110771	2VP65	1-3/8	89648	2BK80HA	1-3/16	92280	1	BX59	20.37		
				AM 10, 11	16150	2VP62	1-3/8	16168	2BK110	1-3/16	92414	1	B64	20.47		
				AM 12, 13	16150	2VP62	1-3/8	16003	2BK100	1-3/16	7950	1	B62	20.31		
	15	AL15		AM 14, 15, 16	16150	2VP62	1-3/8	91633	2TB86 B	1-3/16	92280	1	BX59	20.47		
				AM 17, 18, 19, 20	110771	2VP65	1-3/8	89648	2BK80HA	1-3/16	92280	1	BX59	20.37		
				AM 15, 16, 17, 18, 19, 20	89644	3MVP40-B54	1-5/8	106258	3TB66H ^c	1-7/16	92224	3	B56	20.47		
	20	AL16		**AM 21, 22, 23, 24	89644	3MVP40-B54	1-5/8	106262	3BK65H ^c	1-7/16	92224	3	B56	20.53		
				**AM 17, 18, 19, 20, 21, 22, 23, 24	89644	3MVP40-B54	1-5/8	106262	3BK65H ^c	1-7/16	92239	3	BX54	20.11		
				**AM 15, 16, 17	148593 ^f	2MVP70B84P	1-5/8"	113811	2BK120H ^c	1-7/16	80841	2	BX67	20.47		
	15	AL15		***AM 18, 19, 20, 21	148594 ^f	2MVP80B94Q	1-5/8"	114045	2B5V110 ^e	1-7/16	148605	2	BX69	20.53		
				***AM 22, 23, 24	148593 ^f	2MVP70B84P	1-5/8"	148597	2B5V90 ^e	1-7/16	114258	2	BX64	20.11		
				***AM17	148593 ^f	2MVP70B84P	1-5/8"	113811	2BK120H ^c	1-7/16	80841	2	BX67			
	20	AL16		***AM 18, 19, 20, 21	148594 ^f	2MVP80B94Q	1-5/8"	114045	2B5V110 ^e	1-7/16	148605	2	BX69			
				***AM 22, 23, 24	148593 ^f	2MVP70B84P	1-5/8"	148597	2B5V90 ^e	1-7/16	114258	2	BX64			

*Distance between blower shaft and motor centerline with belts tensioned properly. ** Three-Groove Drives ***Two-Groove Drives

^A Use 1-3/16 "H" Blower Pulley Bushing, P/N 106260; ^B Use 1-3/16 "Q1" Blower Pulley Bushing, P/N 39460; ^C Use 1-7/16 "H" Blower Pulley Bushing, P/N 89659; ^D Use 1-7/16 "B" Blower Pulley Bushing, P/N 114033; ^E Use 1-5/8 "P2" Motor Pulley Bushing, P/N 148595; ^F Use 1-5/8 "Q2" Motor Pulley Bushing, P/N 148596; ^G Use 1-7/16 "P1" Blower Pulley Bushing, P/N 106261;

Drive Components for Totally Enclosed Motors (See drive information, top of page 20)

Unit Sizes	Motor		Voltage Option	Drive AM Nos.			Motor Pulley			Blower Pulley			Belt			*Shaft Centerline
	HP	Opt		(See Key, chart on page 20)	P/N	Mfr #	Bore	P/N	Mfr #	Bore	P/N	Qty	Mfr #			
All "BL"	1	AL23	AK1 (115/1); AK2 (208/1); AK3 (230/1); AK5 (208/3); AK6 (230/3); AK7 (460/3); AK8 (575/3)	AM 2, 3, 4	13580	1VL34	5/8	111862	AK84	1-3/16	16134	1	A57	20.94		
				AM 5, 6, 7	13580	1VL34	5/8	105484	AK71H ^c	1-3/16	16134	1	A57	21.03		
	1-1/2	AL24		AM 3, 4, 5, 6, 7	13580	1VL34	5/8	105484	AK71H ^c	1-3/16	16134	1	A57	21.03		
				AM 8, 9, 10, 11	105476	1VL44	5/8	106256	AK74	1-3/16	16134	1	A57	21.11		
	2	AL25		AM 3, 4, 5, 6, 7	110125	1VP34	7/8	105484	AK71H ^c	1-3/16	16134	1	A57	21.03		
				AM 8, 9, 10, 11	106758	1VL44	7/8	106256	AK74	1-3/16	16134	1	A57	21.11		
				AM 12, 13, 14, 15, 16	106758	1VL44	7/8	110807	AK56H ^c	1-3/16	16131	1	A54	21.07		
				AM 7, 8, 9	37451	1VM50	7/8	16160	AK184	1-3/16	92264	1	A78	20.95		
				AM 10, 11, 12, 13	106758	1VL44	7/8	16158	AK134	1-3/16	16558	1	A69	20.96		
				AM 14, 15, 16, 17, 18	37451	1VM50	7/8	16156	AK124	1-3/16	111870	1	A66	20.92		
3	26	AM 7, 8, 9	37451	1VM50	7/8	16160	AK184	1-3/16	92264	1	A78	20.95				
		AM 10, 11, 12, 13	106758	1VL44	7/8	16158	AK134	1-3/16	16558	1	A69	20.96				
		AM 14, 15, 16, 17, 18	37451	1VM50	7/8	16156	AK124	1-3/16	111870	1	A66	20.92				
All "BL"	3	AL26	AM 8, 9, 10, 11	7963	2VP42	1-1/8	16161	2AK134	1-3/16	16139	1	A67	21.08			
			AM 12, 13, 14, 15	105581	2VP50	1-1/8	16161	2AK134	1-3/16	92408	1	A68	21.01			
			AM 16, 17, 18, 19, 20	7963	2VP42	1-1/8	16003	2BK100	1-3/16	50477	1	A60	21.08			

Unit Sizes	Motor		Voltage Option	Drive AM Nos.			Motor Pulley			Blower Pulley			Belt			*Shaft
	HP	Opt		(See Key, chart on page 20)			P/N	Mfr #	Bore	P/N	Mfr #	Bore	P/N	Qty	Mfr #	Centerline
All "BL" Units	7-1/2	AL32	AK3 (230/1); AK5 (208/3); AK6 (230/3); AK7 (460/3); AK8 (575/3)	AM 10, 11	16150	2VP62	1-3/8	16138	2BK110	1-3/16	92414	1	B64	20.47		
				AM 12, 13	16150	2VP62	1-3/8	16003	2BK100	1-3/16	7950	1	B62	20.31		
				AM 14, 15, 16	16150	2VP62	1-3/8	91633	2TB86 ^A	1-3/16	92280	1	BX59	20.47		
				AM 17, 18, 19, 20	110771	2VP65	1-3/8	89648	2BK80H ^C	1-3-16	92280	1	BX59	20.37		
				AM 10, 11	16150	2VP62	1-3/8	16168	2BK110	1-3/16	92414	1	B64	20.47		
				AM 12, 13	16150	2VP62	1-3/8	16003	2BK100	1-3/16	7950	1	B62	20.31		
	10	AL33	AK5 (208/3); AK6 (230/3); AK7 (460/3); AK8 (575/3)	AM 14, 15, 16	16150	2VP62	1-3/8	91633	2TB86 ^A	1-3/16	92280	1	BX59	20.47		
				AM 17, 18, 19, 20	110771	2VP65	1-3/8	89648	2BK80H ^C	1-3/16	92280	1	BX59	20.37		
				**AM 15, 16, 17	148593	2MVP70B84P ^E	1-5/8	113811	2BK120H ^D	1-7/16	80841	3	BX67	20.47		
				**AM 18, 19, 20, 21	148594	2MVP80B94Q ^F	1-5/8	114045	2B5V110 ^G	1-7/16	148605	3	BX69	20.53		
				**AM 22, 23, 24	148593	2MVP70B84P ^E	1-5/8	148597	2B5V90 ^G	1-7/16	114258	3	BX64	20.11		
				***AM 15, 16, 17	148593 ^F	2MVP70B84P	1-5/8	113811	2BK120H ^D	1-7/16	80841	2	BX67	20.47		
	***15	AL34	AK5 (208/3); AK6 (230/3); AK7 (460/3); AK8 (575/3)	***AM 18, 19, 20, 21	148594 ^F	2MVP80B94Q	1-5/8	114045	2B5V110 ^G	1-7/16	148605	2	BX69	20.53		
				***AM 22, 23, 24	148593 ^F	2MVP70B84P	1-5/8	148597	2B5V90 ^G	1-7/16	114258	2	BX64	20.11		
				***AM17	148593 ^F	2MVP70B84P	1-5/8	113811	2BK120H ^D	1-7/16	80841	2	BX67	20.47		
				***AM 18, 19, 20, 21	148594 ^F	2MVP80B94Q	1-5/8	114045	2B5V110 ^G	1-7/16	148605	2	BX69	20.53		
				***AM 22, 23, 24	148593 ^F	2MVP70B84P	1-5/8	148597	2B5V90 ^G	1-7/16	114258	2	BX64	20.11		
				***20	AL35											

*Distance between blower shaft and motor centerline with belts tensioned properly. ** Three-Groove Drives ***Two-Groove Drives
^A Use 1-3/16 "H" Blower Pulley Bushing, P/N 106260 ^B Use 1-7/16 "B" Blower Pulley Bushing, P/N 114033 ^C Use 1-7/16 "P1" Blower Pulley Bushing, P/N 106261
^D Use 1-3/16 "Q1" Blower Pulley Bushing, P/N 39460 ^E Use 1-5/8 "P2" Motor Pulley Bushing, P/N 148595
^F Use 1-7/16 "H" Blower Pulley Bushing, P/N 89659 ^G Use 1-5/8 "Q2" Motor Pulley Bushing, P/N 148596

Drive Components for Premium Efficiency Motors
(See drive information, top of page 20)

Unit Sizes	Motor		Voltage Option	Drive AM Nos.			Motor Pulley			Blower Pulley			Belt			*Shaft
	HP	Opt		(See Key, chart on page 20)			P/N	Mfr #	Bore	P/N	Mfr #	Bore	P/N	Qty	Mfr #	Centerline
All "BL" Units	1	AL36	AK5 (208/3); AK6 (230/3); AK7 (460/3); AK8 (575/3)	AM 2, 3, 4	110125	1VP34	7/8	111862	AK84	1-3/16	16134	1	A57	20.94		
				AM 5, 6, 7	110125	1VP34	7/8	105484	AK71H ^A	1-3/16	16132	1	A55	21.03		
				AM 3, 4, 5, 6, 7	110125	1VP34	7/8	105484	AK71H ^A	1-3/16	16132	1	A55	21.03		
				AM 8, 9, 10, 11	106758	1VL44	7/8	106256	AK74	1-3/16	16134	1	A57	21.11		
				AM 3, 4, 5, 6, 7	110125	1VP34	7/8	105484	AK71H ^A	1-3/16	16132	1	A55	20.03		
				AM 8, 9, 10, 11	106758	1VL44	7/8	105484	AK71H ^A	1-3/16	16133	1	A56	20.85		
	2	AL38	AK5 (208/3); AK6 (230/3); AK7 (460/3); AK8 (575/3)	AM 12, 13, 14, 15, 16	106758	1VL44	7/8	110807	AK56H ^A	1-3/16	16131	1	A54	21.07		
				AM 7, 8, 9	37451	1VM50	7/8	16160	AK184	1-3/16	92264	1	A78	20.95		
				AM 10, 11, 12, 13	106758	1VL44	7/8	16158	AK134	1-3/16	16558	1	A69	20.96		
				AM 14, 15, 16, 17, 18	37451	1VM50	7/8	16156	AK124	1-3/16	111870	1	A66	20.92		
				AM 8, 9, 10, 11	7963	2VP42	1-1/8	16161	2AK134	1-3/16	16139	1	A67	21.08		
				AM 12, 13, 14, 15	105581	2VP50	1-1/8	16161	2AK34	1-3/16	92408	1	A68	21.01		
	5	AL40	AK5 (208/3); AK6 (230/3); AK7 (460/3); AK8 (575/3)	AM 16, 17, 18, 19, 20	7963	2VP42	1-1/8	16003	2BK100	1-3/16	50477	1	A60	21.08		
				AM 10, 11	16150	2VP62	1-3/8	16168	2BK110	1-3/16	92414	1	B64	20.47		
				AM 12, 13	16150	2VP62	1-3/8	16003	2BK100	1-3/16	7950	1	B62	20.31		
				AM 14, 15, 16	16150	2VP62	1-3/8	91633	2TB86 ^A	1-3/16	92280	1	BX59	20.47		
				AM 17, 18, 19, 20	110771	2VP65	1-3/8	89648	2BK80H ^A	1-3/16	92280	1	BX59	20.37		
				AM 10, 11	16150	2VP62	1-3/8	16168	2BK110	1-3/16	92414	1	B64	20.47		
	7-1/2	AL41	AK5 (208/3); AK6 (230/3); AK7 (460/3); AK8 (575/3)	AM 12, 13	16150	2VP62	1-3/8	16003	2BK100	1-3/16	7950	1	B62	20.31		
				AM 14, 15, 16	16150	2VP62	1-3/8	91633	2TB86 ^A	1-3/16	92280	1	BX59	20.47		
				AM 17, 18, 19, 20	110771	2VP65	1-3/8	89648	2BK80H ^A	1-3/16	92280	1	BX59	20.37		
				**AM 15, 16, 17	148593	2MVP70B84P ^D	1-5/8	113811	2BK120H ^C	1-7/16	80841	3	BX67	20.47		
				**AM 18, 19, 20, 21	148594	2MVP80B94Q ^E	1-5/8	114045	2B5V110 ^F	1-7/16	148605	3	BX69	20.53		
				**AM 22, 23, 24	148593	2MVP70B84P ^D	1-5/8	148597	2B5V90 ^F	1-7/16	114258	3	BX64	20.11		
10	AL42	AK5 (208/3); AK6 (230/3); AK7 (460/3); AK8 (575/3)	***AM 15, 16, 17	148593	2MVP70B84P ^D	1-5/8	113811	2BK120H ^C	1-7/16	80841	2	BX67	20.47			
			***AM 18, 19, 20, 21	148594	2MVP80B94Q ^E	1-5/8	114045	2B5V110 ^F	1-7/16	148605	2	BX69	20.53			
			***AM 22, 23, 24	148593	2MVP70B84P ^D	1-5/8	148597	2B5V90 ^F	1-7/16	114258	2	BX64	20.11			
			***AM17	148593	2MVP70B84P ^D	1-5/8	113811	2BK120H ^C	1-7/16	80841	2	BX67	20.47			
			***AM 18, 19, 20, 21	148594	2MVP80B94Q ^E	1-5/8	114045	2B5V110 ^F	1-7/16	148605	2	BX69	20.53			
			***AM 22, 23, 24	148593	2MVP70B84P ^D	1-5/8	148597	2B5V90 ^F	1-7/16	114258	2	BX64	20.11			

*Distance between blower shaft and motor centerline with belts tensioned properly. ** Three-Groove Drives ***Two-Groove Drives
^A Use 1-3/16 "H" Blower Pulley Bushing, P/N 106260; ^B Use 1-3/16 "Q1" Blower Pulley Bushing, P/N 39460; ^C Use 1-7/16 "H" Blower Pulley Bushing, P/N 89659; ^D Use 1-7/16 "B" Blower Pulley Bushing, P/N 114033; ^E Use 1-5/8 "P2" Motor Pulley Bushing, P/N 148595; ^F Use 1-5/8 "Q2" Motor Pulley Bushing, P/N 148596; ^G Use 1-7/16 "P1" Blower Pulley Bushing, P/N 106261;

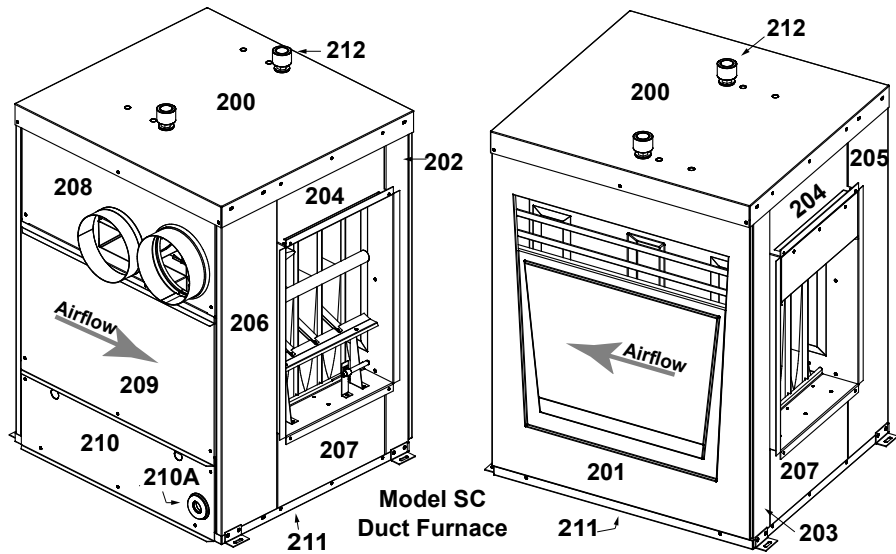
Drive Components for Two-Speed Motors
(See drive information, top of page 20)

Unit Sizes	Motor		Voltage Option	Drive AM Nos.			Motor Pulley			Blower Pulley			Belt			*Shaft
	HP	Opt		(See Key, chart on page 20)			P/N	Mfr #	Bore	P/N	Mfr #	Bore	P/N	Qty	Mfr #	Centerline
All "BL" Units	1	AL45	AK5 (208/3); AK6 (230/3); AK7 (460/3)	AM 2, 3, 4	110125	1VP34	7/8	111862	AK84	1-3/16	16134	1	A57	20.94		
				AM 5, 6, 7	110125	1VP34	7/8	105484	AK71H ^A	1-3/16	16132	1	A55	21.03		
				AM 3, 4, 5, 6, 7	110125	1VP34	7/8	105484	AK71H ^A	1-3/16	16132	1	A55	21.03		
				AM 8, 9, 10, 11	106758	1VL44	7/8	106256	AK74	1-3/16	16134	1	A57	21.11		
				AM 4, 5	111681	1VP50	1-1/8	16156	AK124	1-3/16	111870	1	A66	20.92		
				AM 6, 7, 8, 9	110151	1VP44	1-1/8	111862	AK84	1-3/16	92402	1	A59	21.28		
	1-1/2	AL46	AK5 (208/3); AK6 (230/3); AK7 (460/3)	AM 10, 11, 12, 13	110151	1VP44	1-1/8	112026	BK85H ^A	1-3/16	92225	1	B57	21.22		
				AM 14, 15, 16, 17, 18, 19	110151	1VP44	1-1/8	112035	BK60	1-3/16	92239	1	BX54	20.93		
				AM 4, 5	111681	1VP50	1-1/8	16156	AK124	1-3/16	111870	1	A66	20.92		
				AM 6, 7, 8, 9	110151	1VP44	1-1/8	111862	AK84	1-3/16	92402	1	A59	21.28		
				AM 10, 11, 12, 13	110151	1VP44	1-1/8	112026	BK75H ^A	1-3/16	92225	1	B57	21.22		
				AM 14, 15, 16, 17, 18, 19	110151	1VP44	1-1/8	112035	BK60	1-3/16	92239	1	BX54	20.93		
	2	AL47	AK5 (208/3); AK6 (230/3); AK7 (460/3)	AM 8, 9, 10, 11	106257	2VP60	1-3/8	16168	2BK110	1-3/16	6010	1	B65	21.28		
				AM 12, 13, 14, 15	106257	2VP60	1-3/8	16167	2BK90	1-3/16	92289	1	BX61	20.93		
				AM 16, 17, 18, 19, 20	106257	2VP60	1-3/8	92419	2TB70 ^A	1-3/16	16143	1	B59	21.07		
				AM 10, 11	16150	2VP62	1-3/8	16168	2BK110	1-3/16	92414	1	B64	20.47		
				AM 12, 13	16150	2VP62	1-3/8	16003	2BK100	1-3/16	7950	1	B62	20.31		
				AM 14, 15, 16	16150	2VP62	1-3/8	91633	2TB86 ^A	1-3/16	92280	1	BX59	20.47		
	5	AL49	AK5 (208/3); AK6 (230/3); AK7 (460/3)	AM 17, 18, 19, 20	110771	2VP65	1-3/8	89648	2BK80H ^A	1-3/16	92280	1	BX59	20.37		
				AM 13, 14, 15, 16	91615	2MPV40-B54	1-5/8	89648	2BK80H ^A	1-3/16	92226	1	B58	20.47		
				AM 17, 18, 19, 20, 21, 22	91615	2MPV40-B54	1-5/8	110810	2BK70H ^A	1-3/16	92225	1	B57	20.37		
				AM 10, 11	16150	2VP62	1-3/8	16168	2BK110	1-3/16	92414	1	B64	20.47		
				AM 12, 13	16150	2VP62	1-3/8	16003	2BK100	1-3/16	7950	1	B62	20.31		
				AM 14, 15, 16	16150	2VP62	1-3/8	91633	2TB86 ^A	1-3/16	92280	1	BX59	20.47		
7-1/2	AL50	AK5 (208/3); AK6 (230/3); AK7 (460/3)	AM 17, 18, 19, 20	110771	2VP65	1-3/8	89648	2BK80H ^A	1-3/16	92280	1	BX59	20.37			
			AM 13, 14, 15, 16	91615	2MPV40-B54	1-5/8	89648	2BK80H ^A	1-3/16	92226	1	B58	20.47			
			AM 17, 18, 19, 20, 21, 22	91615	2											

Exterior Cabinet Parts - Furnace Section Models SC and SCE (Quantity not listed in parenthesis is one.)

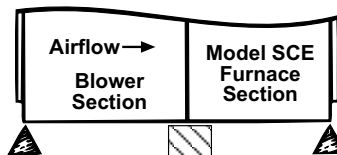
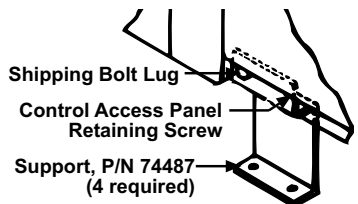
Furnace Section Exterior Cabinet Parts - Models SC Duct Furnace and Model SCE Furnace/Blower Packaged Unit

Gray Sealant (3M 900 Duct Sealer Fast Bond), P/N 100117



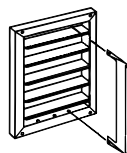
Code	Description	Application	Size							
			100	125	150/175	200/225	250	300	350	400
200	Casing Top Assembly with insulation	SC Series 6	125309	125310	125311	125312	125313		125314	125315
		SCE Series 6	125567	125568	125569	125570	125571		125572	125573
201	Right Casing Side Panel	w/insulation - SC	80582				80585			
		SCE	11819				11849			
202	Corner Leg - Right Front	SC, SCE	10309				10311			
203	Corner Leg - Right Rear	SC	10310				10312			
		SCE	10310				11005			
204	Top Front & Top Back (2)	w/insulation - SC	126330	64667	64669	80574	80576	80578	80580	
		SCE	10861	10869	10875	10886	10892	10900	10906	
205	Left Rear Corner Leg (control side)		126109				126110			
206	Left Front Corner Leg (control side)		126111				126112			
207	Bottom Front & Rear Panel Assembly w/insulation (2)		67693	64662	64664	80561	80564	80567	80570	
208	Venter Panel Assembly		125351				130224			
209	Access Panel Assembly		126012							
210	Bottom Left Side Panel with Grommet & Sight Hole Cover	SC	125695 (with insulation)				125692		125693	
		SCE Series 6	125692						125693	
210A	Vinyl Grommet		102607				15021			
211	Bottom Pan Assembly	Aluminized,	125267	125268	125269	125270	125271	125272	125273	
		Stainless Steel	129516	129517	129518	129519	129520	129521	129522	
212	Hanger Assembly (2)		9557							
213	Mounting Support (below) (4 required)		74487							
214	Louver Frame with Horizontal Louvers (Horizontal & vertical louvers are optional on SCE.)		10020	10018	10016	10014	10012	10012	10010	10001
215	Horizontal Louver only		(5)9923	(5)9887	(5)9847	(5)9808	(10)9769		(10)9733	(10)9553
216	Vertical Louver only		(4)9554		(6)9554	(8)9554	(10)9554		(12)9554	(14)9554
217	Maroon Touchup Paint for Louvers, 12 oz can		207432							
218	Condensate Drain Kit	same as Opt CS1	31765							

Code 213 - Mounting Supports for Models SC and SCE

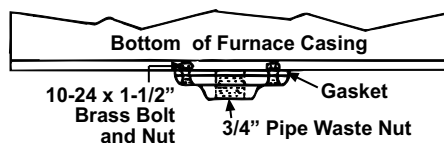


Model SCE - P/N 74487 as illustrated above may be used at the four corner support locations. Do not use this type of support at the center support locations (between the furnace and the blower section). At the center locations, a field-fabricated, angle-iron brace support must extend horizontally, jointly supporting a portion of both the furnace and the blower cabinet. All supports must be non-combustible.

Codes 214, 215, & 216 - Horizontal and Vertical Louvers



Code 218 - Condensate Drain Kit



Blower Cabinet and Components - Model SCE

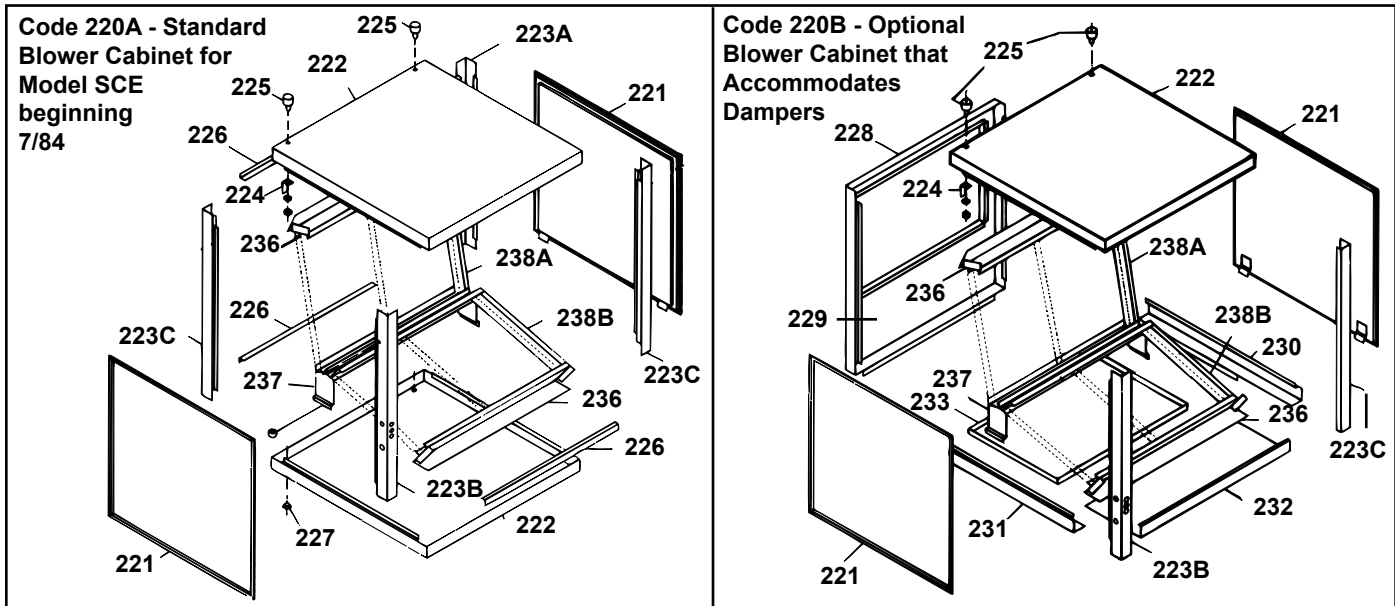
SCE Rear View Showing Standard Inlet Air Opening, Code 220A (does not accommodate dampers)



For blower motor, see pages 13-16 & 17-20.

For drive components, see pages 20-25.

Blower Cabinet Parts - Model SCE (Note: Filter rack & filters are optional and are not part of Code 220A or 220B)



Code	Blower Cabinet Parts Description			Size					
				125	150/175	200/225	250/300	350	400
220A	Standard Cabinet	Shipped knocked down; assembly is required.		12545	12546	12547	12548	12549	12550
220B	Optional Cabinet			84215	84216	84217	84218	84219	84220
Components:		Applies to:	Qty						
221	Door without insulation	Std Cabinet	2	51041			51042		
	Door with insulation	Opt Cabinet	2	84221					
222	Top & Bottom without insulation	Std Cabinet	2	11522	11529	11197	11564	11574	11583
	Top with insulation	Opt Cabinet	1	11825	11842	11767	11856	11862	11777
223A	Corner Support	Std Cabinet	1	11518			11211		
223B		Std & Opt	1	11519	11519	19982	19982	19982	19982
223C		(2)Std; (1)Opt	1	11517	11517	11210	11210	11210	11210
224	Hanger Support	Std & Opt	2	10219					
225	Hanger Assembly	Std & Opt	2	9557					
226	Duct Connecting Angle	Opt Cabinet	2	11523	11530	11536	11567	11576	11584
227	Hole Plug 1/2"	Std & Opt	2	82413					
228	End Panel only (less insulation)	Opt Cabinet	1	12075	12411	11540	12414	12029	11589
229	End Panel Insulation	Opt Cabinet	1	11158	11165	11167	11176	11180	11184
230	Bottom Left Side	Opt Cabinet	1	11203					
231	Bottom Right Side	Opt Cabinet	1	11204					
232	Rear Bottom Section	Opt Cabinet	1	11526	11533	11392	11571	11580	11393
233	Inlet Cap	Opt Cabinet	1	12513	12514	11538	12515	12516	11587
234	Bottom Insulation	Opt Cabinet	1	11155	11162	11167	11176	11180	11184
235	Filter Racks (less filters; assembly required)		1	24501	24503	24505	24507	24509	24511
236	Filter Support	Filter rack is optional. It fits either Std or Opt cabinet.	2	19704	19710	19717	19723	19729	19736
237	Intermediate Filter Support Assembly		1	19708	19715	19721	19727	19734	19742
238A	Filter Stop		1	■	■	■	■	■	19733
238B	Filter Stop		1	■	■	■	■	■	19741
239	Filters - See chart below (only 2" replacement filters are available; 1" filters in sizes listed should be obtained locally)								
240	Inlet Screen, no dampers (same as Opt AZ3)			109134	109135	109136	109137	109138	109139
	Inlet Screen, with dampers (same as Opt AZ4)			109146	109147	109148	109149	109150	109151
	Screens for horizontal & bottom openings w/dampers (same as Opt AZ5)			109152	109153	109154	109155	109156	109157

Code 239 - Optional Filters	Size					
	125	150/175	200/225	250/300	350	400
Permanent 16x20x2	■	■	(2)101620	■	■	■
Permanent 16x25x2	■	■	(2)101622	■	■	(3)101622
Permanent 20x20x2	(2)101621	■	■	(2)101621	(1)101621	■
Permanent 20x25x2	■	(2)101623	■	(2)101623	(3)101623	(2)101623
Pleated 16x20x2	■	■	(2)104110	■	■	■
Pleated 16x25x2	■	■	(2)104112	■	■	(3)104112
Pleated 20x20x2	(2)104111	■	■	(2)104111	(1)104111	■
Pleated 20x25x2	■	(2)104113	■	(2)104113	(3)104113	(2)104113

Blower Cabinet and Components - Model SCE (cont'd)

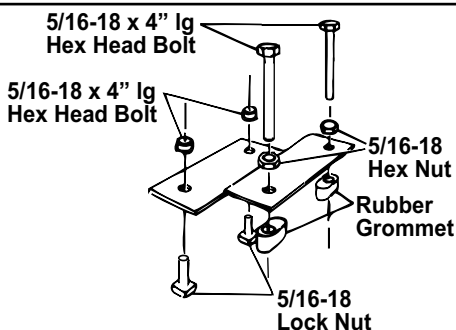
Code 251 - Motor Support for less than 1 HP motor



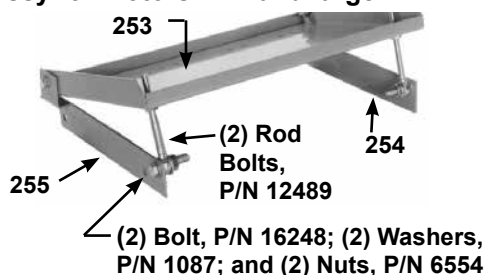
Code 256 - Replacement Rubber Feet and Hardware



Code 252 - Motor Adjustment Bracket Assembly for less than 1HP motor



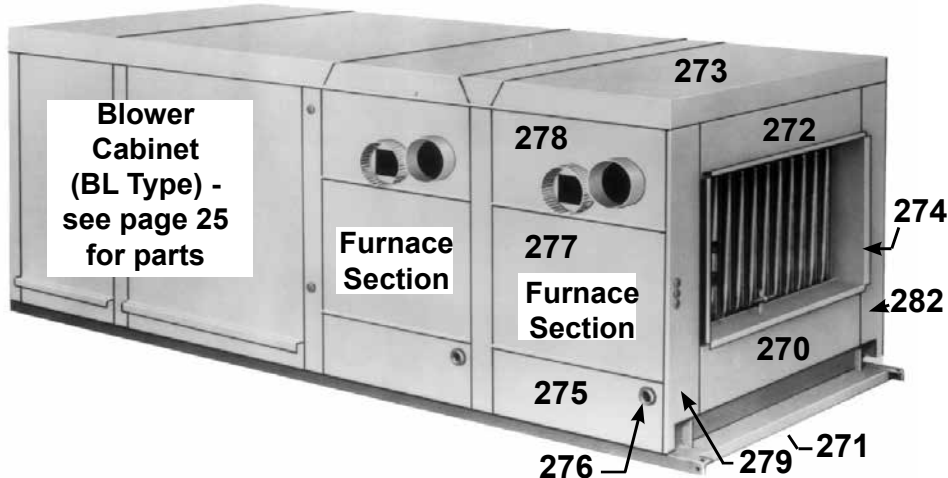
Codes 253, 254, and 255 - Motor Mounting Plate Assy for motors 1HP and larger



Code	Description	Application	Size					
			125	150/175	200/225	250/300	350	400
250	Blower Back Assembly		193986	194053	194092	193987	194063	194062
251	Blower Mtr Mounting Bracket	w/less than 1HP mtr	44409	44410		44409	44410	
252	Motor Adjustment Bracket Assembly		44411					
253	Blower Motor Mounting Plate	w/1HP & larger mtr	194117	12579		194117	12579	
254	Blower Motor Mounting Plate Left Support		12576					
255	Blower Motor Mounting Plate Right Support		12577					
256	Rubber Feet and Mounting Hardware		64940					
257	Blower, Complete with Shaft and Bearings		1357, Lau A10-10A	36429, Lau A12-12AC-EXT-P		--	--	--
	Blower, Right Side less shaft and bearings		--	--	--	36430, Lau RH 2A10-10A	36432, Lau RH 2A12-12A	
	Blower, Left Side less shaft and bearings		--	--	--	36431, Lau LH 2A10-10A	36433, Lau LH 2A12-12A	
258	Blower Shaft		11302, 18x3/4	11303, 19x1		10120, 39-1/4x1	10121, 44-5/8x1	
259	Key 3/16" sq x 1-3/3" lg		19361					
260	Blower Bearings		(2)7310, Ball SCF-3/4			(2)10437, Ball SCR16-1		

Model SSCBL (parts apply to each furnace section)

Model SSCBL Arrangement			
Model Size	Furnace Sections Qty	SC Size	Blower Cabinet
400	1	400	BL Type
500	2	250	BL Type
600	2	300	BL Type
700	2	350	BL Type
1050	3	350	BL Type
1200	3	400	BL Type

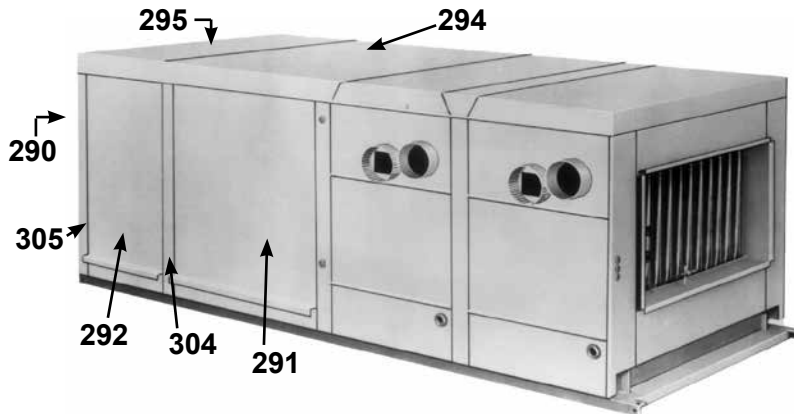


Furnace Section Exterior Cabinet Parts - Model SSCBL only (parts apply to each furnace section)

Code	Description	400	500	600	700	800	1050	1200
270	Bottom Front & Rear Panel (2)	100042	100040		100041	100042	100041	100042
271	Furnace Bottom Pan	Aluminized	100005	100003	100003	100004	100005	100004
		Stainless Steel	104930	104928	104928	104929	104930	104929
272	Top Front & Rear Panel (2)	100035	100033	100033	100034	100035	100034	100035
273	Casing Top Assembly	100293	100291	100291	100292	100293	100292	100293
274	Furnace Right Side Panel Assembly	103649						
275	Furnace Bottom Left Side Panel	100125	100125	100125	100125	100125	100125	100125
276	Vinyl Grommet	15021, 3/4"	102607, 1/2"	15021, 3/4"				
277	Furnace Center Left Side Panel	113593	113593	113593	113593	113593	113593	113593
278	Furnace Top Left Side Panel Assembly	113646	113646	113646	113646	113646	113646	113646
279	Left Rear Furnace Leg (not illustrated)	100013	100013	100013	100013	100013	100013	100013
280	Left Front Furnace Leg	100011	100011	100011	100011	100011	100011	100011
281	Right Rear Furnace Leg (not illustrated)	100012	100012	100012	100012	100012	100012	100012
282	Right Front Furnace Leg	100010	100010	100010	100010	100010	100010	100010
283	Top Seal Brace (not illustrated)	100168	100166		100167	100168	100167	100168

Connector and Filler Parts (not illustrated) for Connecting Heat Exchangers in Model SSCBL Systems with Two or Three Furnaces	SSCBL Size	400	500/600	700	800	1050	1200
Top Filler Assembly		--	(1) 115693	(1) 115694	(1) 115692	(2) 115694	(2) 115692
Side Filler		--	--	--	(2) 105632	--	--
Top & Btm Duct Connector		--	(2) 106338	(2) 106339	(2) 106340	(2) 106339	(2) 106340
Side Duct Connector		--	--	--	(2) 106395	--	--

Model SSCBL Blower Cabinet and Blower Parts



Cross-Reference of End and Bottom Panel Options to Cabinet Openings

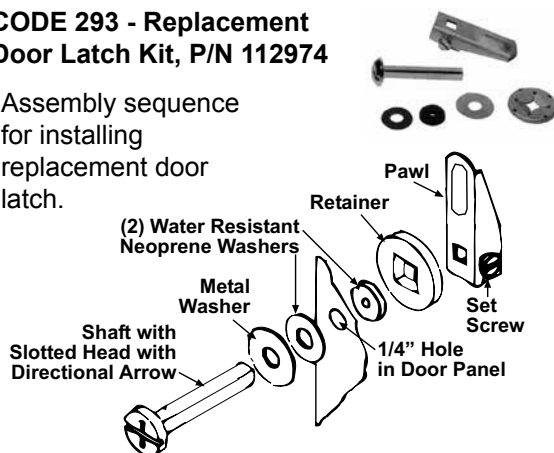
Cabinet Option	End Panel		Btm Panel	
	Solid	100% Open	Solid	100% Open
Std		X	X	
AR-4	X			X
AR-8	X		X	
AR-9	X		X	
AR-11		X		X
AR-12		X		X
AR-13		X		X
AR-14		X		X
AR-15		X		X
AR-16		X		X
AR-17		X		X
AR-18		X		X
AR-24		X		X

Code	Description	500/600	700/1050	400/800/ 1200
289	Cabinet Btm - Rt Half - solid (no opening)	106242	106243	106244
	Cabinet Btm - Lft Half - solid (no opening)	106238	106239	106240
	Cabinet Btm - Rt Half - return air opening	105606	105607	106608
290	Cabinet Btm - Lft Half - return air opening	104365	104366	104367
	End Panel Assembly - solid (no opening)	103620	103621	103622
	End Panel Assembly - solid (no opening) with double-wall construction (Opt AY3)	105550	105551	103555
	End Panel Assembly - 100% opening	103641	103642	103643
291	End Panel Assembly - 100% opening with double-wall construction (Opt AY3)	105544	105545	105546
	Blower Door - standard		(2)100347	
292	Blower Door - with double-wall construction (Opt AY3)		(2)104115	
	Filter Cabinet Door Assembly		(2)106276	
293	Filter Cabinet Door Assembly - with double-wall construction (Opt AY3)		(2)107350	
	Replacement Door Latch		112974	
294	Blower Cabinet Front Top Section Assy	106280	106281	106282
295	Blower Cabinet Rear Top Section Assy	106286	106287	106288
296	Blower Cabinet Top Insulation Retainer	107350	107351	107352
297	Filter Cabinet Top Insulation Retainer	107354	107355	107356
298	BL Cabinet Leg #1, Left		105603	
299	BL Cabinet Leg #2, Right		105604	
300	Corner Post		(2)114761	
301	Cabinet Leg Cap Left		100069	
302	Cabinet Leg Cap Right		100071	
303	Cabinet Intermediate Post		(2)114762	
304	Cabinet Intermediate Post Cap		(2)104372	
305	Corner Post Cap		(2)100072	
306	Cabinet Top Front Panel	105610	105611	105612
307	Cabinet Bottom Front Panel	105614	105615	105616
308	Cabinet Vertical Blower Support Left		106299	
309	Cabinet Vertical Blower Support Right		106943	
310	Cabinet Horizontal Blower Support		(2)31576	
311	Cabinet and Panel Support	100078	100079	100080
312	Cabinet Top Support	105600	105601	105602
313	Bottom Filter Rack Assy - 1 & 2" filters	114711	114712	114713
314	Rear Filter Rack Assy - 1 & 2" filters	(2) 114707	(2) 114708	(2) 114709
315	Front Filter Rack Assy - 1 & 2" filters	(2) 114695	(2) 114696	(2) 114697
316	Top Filter Rack Assy - 1 & 2" filters	114719	114720	114721
317	Top Door Seal		(2)95487	
318	Blower Cabinet Adapter Back Assembly	163833	163834	148429
319	Motor Mounting Plate Assembly		106295	
320	Motor Mounting Bolts		See illustration, page 26.	

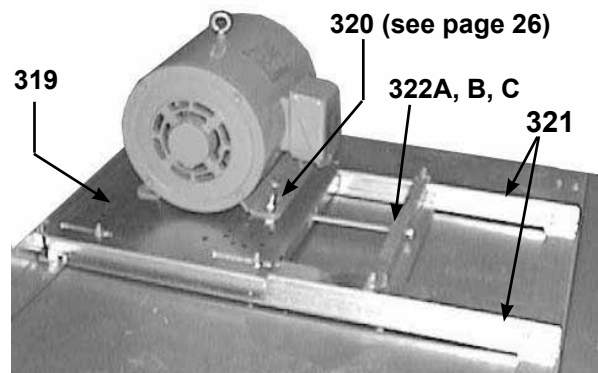
Code	Description	500/600	700/1050	400/800/ 1200
321	Motor Mounting Support Assembly (support rails for motor mounting plate, Code 319)	< 15HP motor	(2)106698	
		<15HP w/ (Opt PC12) vibration isolation	149008 (qty changes to one because assembly includes both rails)	
322A	Motor Adjustment Angle (w/ Code 322B & 322C allows motor to be moved for drive adjustment)	< 15HP motor	105633	
		<15HP w/ (Opt PC12) vibration isolation	149010	
322B	Motor Adjustment Bolt 3/8 - 16 x 7" lg	15 & 20 HP	149010	
			106275 (used with 322A & C)	
322C	Adjustment Bolt Hex Nut 3/8 - 16		1438 (used with 322A & B)	
323	Blower (Housing and Wheel) Lau 15 x 9, 1-3/16	(2)		
		106296	--	--
324	Blower (Housing and Wheel) Lau 15 x 11, 1-3/16	--	(2)14469	
		Blower Shaft 1-3/16 x 37" long	106297	--
325	Blower Shaft 1-3/16 x 42-1/2" long	--	106298	--
		Blower Shaft 1-3/16 x 48" long	--	--
326	Blower Bearing, 1-3/16", less than 5HP	(2) 14474, Fafair #E8317		
327	Blower Filter Support - Right	106943		
328	Vertical Blower Support - Left	106299		
329	Bearing Bracket, 1-3/16	(2) 24233, Lau #014431-02		
330	Heavy Duty Blower Right Lau 15 x 9 (15-20HP motors)	106935	--	--
		106936	--	--
331	Heavy Duty Blower Left Lau 15 x 9 (15-20HP motors)	--	106937	
		--	106938	106938
332	Heavy Duty Blower Right Lau 15 x 11 (15-20HP motors)	--	106937	
333	Heavy Duty Blower Left Lau 15 x 11 (15-20HP motors)	--	106938	106938
334	Blower Shaft Key (used w/heavy duty blowers)	(4) 134638		
335	Blower Shaft Heavy Duty Blower 1-7/16 x 42" long	106939	--	--
		--	106940	--
		--	--	106941
336	Pillow Block Bearing, 1-7/16 Bore, Dodge P2BS2107R	(2) 170108		
		(replaces P/N 106942)		
337	Class II Blower Support - Right Side	149520		
338	Class II Blower Support - Left Side	149521		
339	Air Flow Switch Pitot Sense Probe (part of Option BW1)	111733		

CODE 293 - Replacement Door Latch Kit, P/N 112974

Assembly sequence for installing replacement door latch.

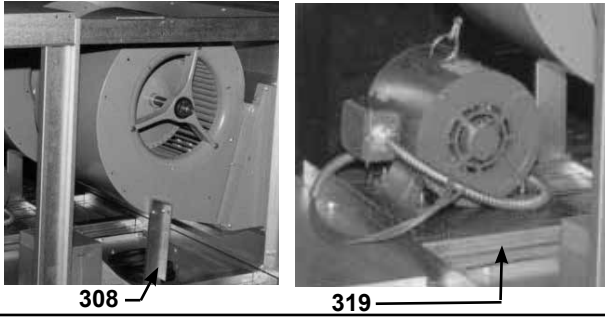


Parts for Motor Support, Mounting, and Adjusting

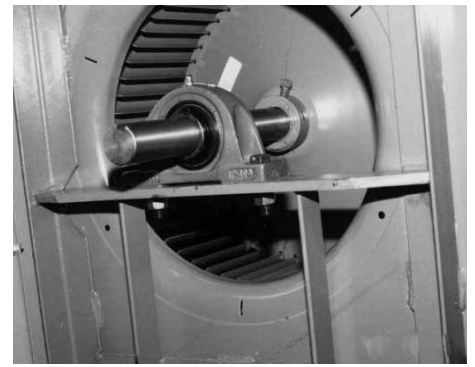


Model SSCBL Blower Cabinet and Blower Parts (cont'd)

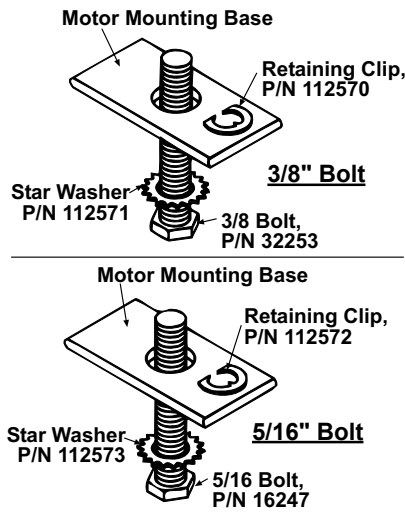
Blower, Bearing Support, and Motor on unit with up to a 5 HP Motor



Blower and Bearing on a unit with a 15 and 20 HP Motor (See CODES 330-338)



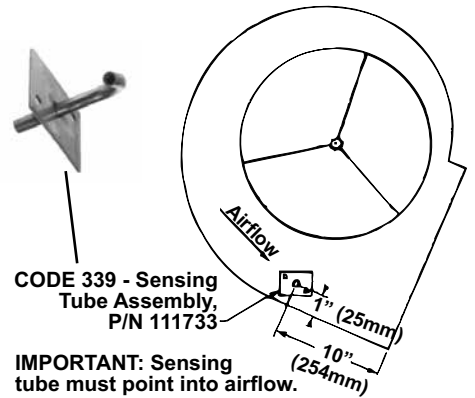
Code 320 - Motor Mounting Bolts



Blower Triangular Bearing Mounting for SSCBL with a 7-1/2 or 10 HP Motor

Description	P/N
Left Bearing Support Assy	112971
Right Bearing Support Assy	112972
Pillowblock Bearing Sealmaster 1/16"	(2) 112973
90° Grease Fitting	195834
1/2-13 x 2" Cap Screw GR-8	(4) 111304
1/2-13 Nut GR-8	(4) 111305
1/2 Lockwasher	(4) 111306
1/4-20 Cap Screws	(6) 16246
1/4-20 Lock Nut	(6) 10650

Location of Optional Air Flow Switch Sensor, CODE 339



Replacement Filters/ Blockoff Plates - Models SSCBL and SSCDBL

Filter P/N's - top of page 31

Filter Arrangements for 1" or 2" Disposable Filters (Options AW2 and AW7)

<p>Blockoff Plates: (1) P/N 106334; (4) P/N 114337</p>	<table border="1"> <tr><td>A</td><td>16 x 16</td></tr> <tr><td>B</td><td>16 x 25</td></tr> <tr><td>C</td><td>12 x 25</td></tr> <tr><td>D</td><td>12 x 30</td></tr> </table> <p>Blockoff Plates: (1) P/N 106334; (4) P/N 114337</p>	A	16 x 16	B	16 x 25	C	12 x 25	D	12 x 30	<p>Blockoff Plates: (1) P/N 106332; (4) P/N 114336</p>	<table border="1"> <tr><td>A</td><td>16 x 16</td></tr> <tr><td>B</td><td>16 x 25</td></tr> <tr><td>C</td><td>12 x 20</td></tr> <tr><td>D</td><td>12 x 25</td></tr> </table> <p>Blockoff Plates: (1) P/N 106332; (4) P/N 114336</p>	A	16 x 16	B	16 x 25	C	12 x 20	D	12 x 25	<p>Blockoff Plates: (1) P/N 106332; (4) P/N 114336</p>	<table border="1"> <tr><td>A</td><td>16 x 25</td></tr> <tr><td>B</td><td>12 x 20</td></tr> <tr><td>C</td><td>12 x 30</td></tr> </table> <p>Blockoff Plates: (1) P/N 106332; (4) P/N 114336</p>	A	16 x 25	B	12 x 20	C	12 x 30
A	16 x 16																										
B	16 x 25																										
C	12 x 25																										
D	12 x 30																										
A	16 x 16																										
B	16 x 25																										
C	12 x 20																										
D	12 x 25																										
A	16 x 25																										
B	12 x 20																										
C	12 x 30																										

Filter Arrangements for 1" or 2" Disposable Pleated Filters (Options AW10 and AW11)

<p>Blockoff Plates: (1) P/N 106334; (4) P/N 114335</p>	<table border="1"> <tr><td>A</td><td>16 x 16</td></tr> <tr><td>B</td><td>16 x 25</td></tr> <tr><td>C</td><td>12 x 25</td></tr> <tr><td>D</td><td>12 x 32</td></tr> </table> <p>Blockoff Plates: (1) P/N 106334; (4) P/N 114335</p>	A	16 x 16	B	16 x 25	C	12 x 25	D	12 x 32	<p>Blockoff Plates: (1) P/N 106332; (4) P/N 114337</p>	<table border="1"> <tr><td>A</td><td>16 x 20</td></tr> <tr><td>B</td><td>16 x 25</td></tr> <tr><td>C</td><td>12 x 20</td></tr> <tr><td>D</td><td>12 x 25</td></tr> </table> <p>Blockoff Plates: (1) P/N 106332; (4) P/N 114337</p>	A	16 x 20	B	16 x 25	C	12 x 20	D	12 x 25	<p>Blockoff Plate: (1) P/N 106333</p>	<table border="1"> <tr><td>A</td><td>16 x 25</td></tr> <tr><td>B</td><td>12 x 20</td></tr> <tr><td>C</td><td>12 x 32</td></tr> </table> <p>Blockoff Plate: (1) P/N 106333</p>	A	16 x 25	B	12 x 20	C	12 x 32
A	16 x 16																										
B	16 x 25																										
C	12 x 25																										
D	12 x 32																										
A	16 x 20																										
B	16 x 25																										
C	12 x 20																										
D	12 x 25																										
A	16 x 25																										
B	12 x 20																										
C	12 x 32																										

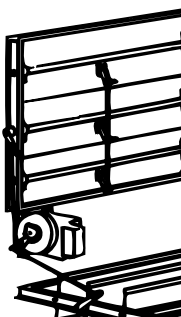
Filter Arrangements for 1" or 2" Permanent Filters (Options AW8 and AW9)

<p>Blockoff Plate: (1) P/N 106334</p>	<table border="1"> <tr><td>A</td><td>16 x 16</td></tr> <tr><td>B</td><td>16 x 25</td></tr> <tr><td>C</td><td>12 x 16</td></tr> <tr><td>D</td><td>12 x 26</td></tr> </table> <p>Blockoff Plate: (1) P/N 106334</p>	A	16 x 16	B	16 x 25	C	12 x 16	D	12 x 26	<p>Blockoff Plate: (1) P/N 106334</p>	<table border="1"> <tr><td>A</td><td>16 x 20</td></tr> <tr><td>B</td><td>16 x 25</td></tr> <tr><td>C</td><td>12 x 20</td></tr> <tr><td>D</td><td>12 x 26</td></tr> </table> <p>Blockoff Plate: (1) P/N 106334</p>	A	16 x 20	B	16 x 25	C	12 x 20	D	12 x 26	<p>Blockoff Plate: (1) P/N 106332</p>	<table border="1"> <tr><td>A</td><td>16 x 25</td></tr> <tr><td>B</td><td>12 x 26</td></tr> </table> <p>Blockoff Plate: (1) P/N 106332</p>	A	16 x 25	B	12 x 26
A	16 x 16																								
B	16 x 25																								
C	12 x 16																								
D	12 x 26																								
A	16 x 20																								
B	16 x 25																								
C	12 x 20																								
D	12 x 26																								
A	16 x 25																								
B	12 x 26																								

NOTE: If replacing 1" filters, replace with locally supplied filters in the size and type listed. Quantities listed by size and arrangements illustrated on page 30 apply to both 1" and 2" filters.


Filter Type	Qty	Size	2" Filter	Qty	Size	2" Filter	Qty	Size	2" Filter
Model	SSCBL 400, 800, 1200			SSCBL 500, 600			SSCBL 700, 1050		
Disposable	2	16 x 16	104101	1	16 x 25	104099	2	16 x 25	104099
	1	16 x 25	104099	1	16 x 20	104097	4	12 x 30	114323
	4	12 x 25	114318	4	12 x 20	114317	4	12 x 20	114317
	4	12 x 30	114323	4	12 x 25	114318			
Permanent	2	16 x 16	104103	1	16 x 20	101620	2	16 x 25	101622
	8	12 x 16	114325	4	12 x 20	114321	8	12 x 26	114322
	1	16 x 25	101622	1	16 x 25	101622			
	4	12 x 26	114322	4	12 x 26	114322			
Pleated	2	16 x 16	104109	1	16 x 20	104110	2	16 x 25	104112
	4	12 x 25	114320	1	16 x 25	104112	4	12 x 32	114324
	1	16 x 25	104112	4	12 x 20	114319	4	12 x 20	114319
	4	12 x 32	114324	4	12 x 25	114320			
Model	SSCDBL 800, 1600			SSCDBL 1000, 1200			SSCDBL 1400		
Disposable	4	16 x 16	104101	2	16 x 25	104099	4	16 x 25	104099
	2	16 x 25	104099	2	16 x 20	104097	8	12 x 30	114323
	8	12 x 25	114318	8	12 x 20	114317	8	12 x 20	114317
	8	12 x 30	114323	8	12 x 25	114318			
Permanent	4	16 x 16	104103	2	16 x 20	101620	4	16 x 25	101622
	16	12 x 16	114325	8	12 x 20	114321	16	12 x 26	114322
	2	16 x 25	101622	2	16 x 25	101622			
	8	12 x 26	114322	8	12 x 26	114322			
Pleated	2	16 x 16	104109	2	16 x 20	104110	4	16 x 25	104112
	8	12 x 25	114320	2	16 x 25	104112	8	12 x 32	114324
	2	16 x 25	104112	8	12 x 20	114319	8	12 x 20	114319
	8	12 x 32	114324	8	12 x 25	114320			

Dampers and Controls -
Applies to Models SCE and SSCBL




Damper Motor and Linkage

350 - Outside Air Dampers



350 - Return Air Dampers

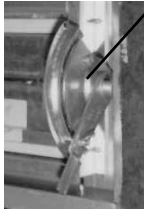






Code 350 - Damper and Frame Assembly for 100% Outside Air or Return Air Dampers (includes one frame with damper blades only)

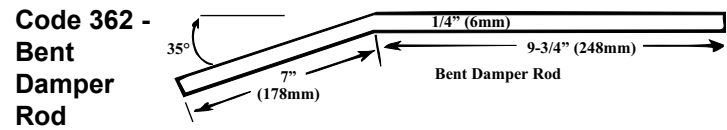
Model Sizes		P/N
100, 125		105421
150, 175		105422
200, 225		105423
500, 600	250, 300	105424
700, 1050	350	105425
400, 800, 1200	400	105426

Code	Description (illustrations on page 28)	P/N	Components by Option AR__ for "BL" Blower Cabinets (refer to wiring diagram for applicable motorized AR Option)																
			6	7	8	9*	11*	12*	13*	14*	15	16*	17	18	23*	25			
351	Hand Quadrant #14004728-001	103502	X					X											
352	Manual Damper Control Bracket (replaces P/N 103488)	143182	X					X											
353	Replacement Kit for other 2-position damper actuators including P/N 66276, 97385, & 209351 labeled J/C M9206-BGB-2)	209423		X	X						X				X				
	2-Position Actuator, M/H MS8105A1130/U (effective 04/2012 on Model SSCBL)	263939		X	X										X				
354A	Auxiliary End Switch only for M/H Damper Motors, #Q607B1067, P/N 113963																		
354B	Auxiliary Switch Kit (2 switches), M/H 220736B, P/N 145881																		
355	Modulating Damper Motor, #M9175A1051 (no end switch); Motor Support, P/N 100315	115681					X		X	X		X	X		X				X
356	Optional Modulating Damper Motor, #M9185A1026 (Requires auxiliary switch kit, P/N 145881, Code 354B.)	202091					X		X	X		X	X		X				X
357	Floating Modulating Damper Motor, #M6194B1011; Motor Support, P/N 100315	115683																	X
358	Damper Rod, 1/4 x 12 inches long	11561								X		X	X		X	X			
359	Damper Rod, 1/4 x 13 inches long	112554		X	X				X		X				X				X
360	Damper Rod, 1/4 x 18 inches long	11560		X	X						X				X				
361	Damper Rod, 1/4 x 17 inches long	112556					X		X	X		X	X		X	X		X	X
362	Damper Rod, Bent (drawing, page 28)	105420						X											
363	Damper Rod Arm	66278		X															
364	Damper Arm, M/H #20265	12635		X	X(2)	X	X(2)	X(2)	X(2)	X(2)	X(3)	X(2)	X(2)	X(3)	X(2)	X(2)	X(2)	X(2)	X(2)
365	Ball and Socket, M/H #27518	12636		X(2)	X(2)	X(2)	X(4)	X(4)	X(4)	X(4)	X(4)	X(4)	X(4)	X(4)	X(4)	X(4)	X(4)	X(4)	X(4)
366	Crank Arm M/H #221455A	116209				X	X	X	X	X		X	X		X	X		X	X
367	Damper Arm Support Plate	14225					X												
368	Damper Arm Adjustment Plate	115687						X	X	X	X	X	X	X	X	X			
369	Damper Arm Adjustment Plate	142982																	X
370	Air Controller Support Bracket	103758				X		X	X	X		X			X				
371	Potentiometer, M/H #112894FA	16110				X			X	X		X			X				
372	Mixed Air Controller, M/H #T991A-1004	16109						X	X			X			X				
373	Outdoor Air Controller, J/C#A19AAF-120	126170									X	X	X						
374	Null Switch (pressure), Dwyer #1640	88052																	X
375	DDC (4-20ma) interface module for use with modulating damper motor, Honeywell Q7230A, P/N 171134																		X

Dampers and Controls (cont'd) - Applies to Models SCE and SSCBL

	<p>Code 351 - Hand Quadrant, P/N 103502</p> <p>Code 352 - Manual Damper Control Bracket, P/N 175428</p>	<p>Code 353 - Damper Motor for 2-Position Damper (open/closed), J/C M-9206-BGB-3, P/N 209351</p> <p>Code 353A - Kit, P/N 209423, includes motor P/N 209351, a mounting kit, and crankarm to field replace discontinued motors, P/N 66276, P/N 97385, and P/N 209351 labeled Model M-9206-BGB-2.</p>		<p>Code 354 - Auxiliary End Switch, P/N 113963, M/H Q607B1067</p>	
---	---	---	--	--	---

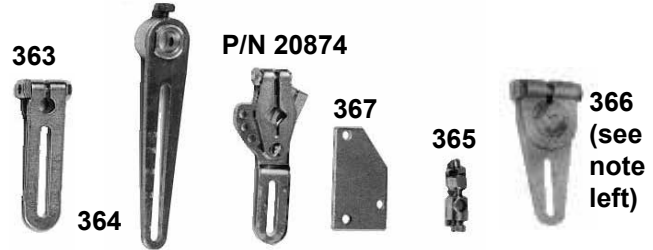
<p>Code 355 - Modulating Damper Motor used in Option AR23, M/H #M6194B1011, P/N 115683 (with pressure null switch)</p>		<p>Code 356 - Modulating Damper Motor, M/H M91785A1026 less end switches, P/N 115681 (replaces P/N 53928)</p> <p>Code 357 (illustrated) - Modulating Damper Motor, M/H M9175D1014, P/N 115682, replacement requires auxiliary switch kit, P/N 145881, (Code 354) (replaces motor P/N 96767)</p>	
---	---	---	---



NOTE: Crank Arm Code 366 is used with motors P/N 115682, 115683, and 115681 (used in currently manufactured units)

Use Crank Arm P/N 20874 (illustrated), M/H #7616BR, with motors P/N 53928, 87059, and 96767

Damper Linkage Parts



363 P/N 20874


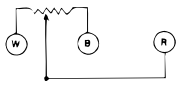
364

365


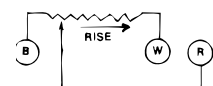
366 (see note left)

367

Code 371 - Potentiometer, M/H 112894FA, P/N 16110





Code 372 - Mixed Air Controller, M/H T991-1004, P/N 16109


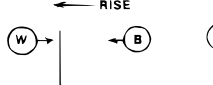



Grommet Clamp, P/N 39224

Code 374 - Pressure Null Switch, Dwyer #1640-0, Range .01" to .2" w.c., P/N 88052



Code 373 - Outside Air Controller, J/C A19AAF-120, P/N 126170 (replaces P/N 16108)

Code 375 - DDC (4-20 ma) interface module for modulating damper motor, P/N 171134, M/H Q7230A



Specifications & illustrations subject to change without notice and without incurring obligations.
 ©Nortek Global HVAC, LLC 2018. All rights reserved.
 All marks are the property of their respective organizations.
 O'Fallon, MO | Printed in U.S.A.
 Form P-SC (03-18) PN269822R13