

FERO Thin Stone Veneer Support is a pin connector for thin stone veneer walls. The L-Plate can be installed on any structural backup and incorporates the FAST bracket slot for adjustability, which mechanically locks in place from sliding when multiple FERO Thin Stone Veneer Support Connectors are used. The adjustment plate adds in-plane and out-of-plane maneuverability for easy installation. Sizing of the FERO Thin Stone Veneer Support must be engineered.



SYSTEM COMPONENTS:

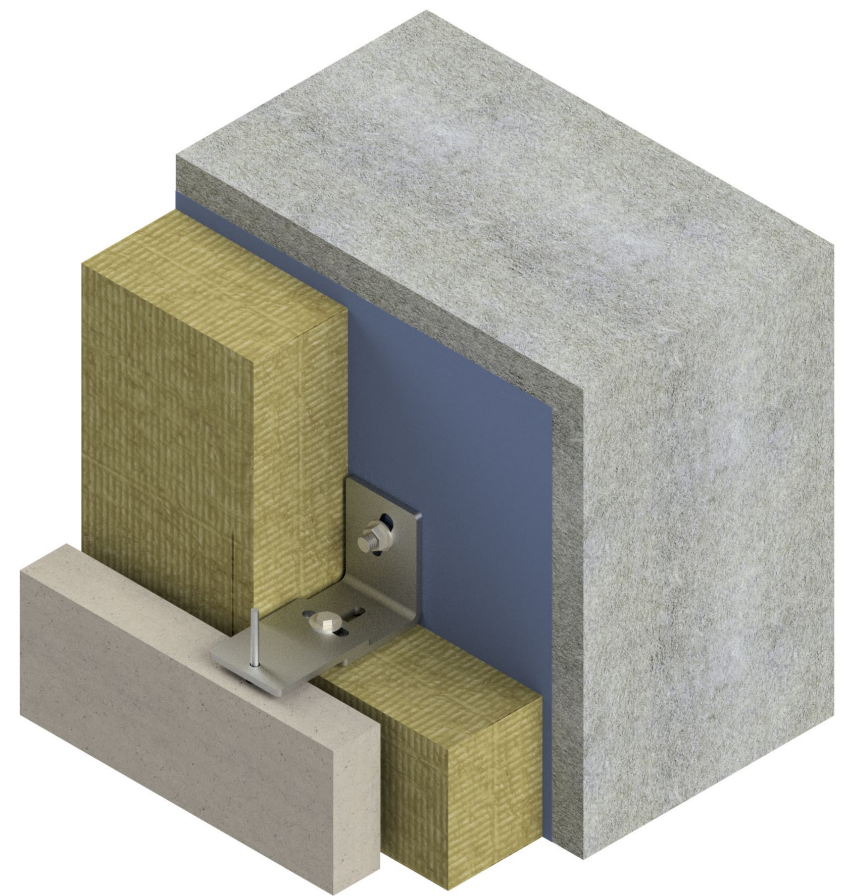
Your customizations:

1. L Plate
 - The L-shaped plate is fastened to the surface of the structural backing.
2. Additional Plate
 - An additional Plate fastens to the L-shaped Plate and the slot on the second plate allows for enhanced flexibility in fastening the assembly.
3. Pin

ORDER FERO THIN STONE SUPPORTS*

of supports required:

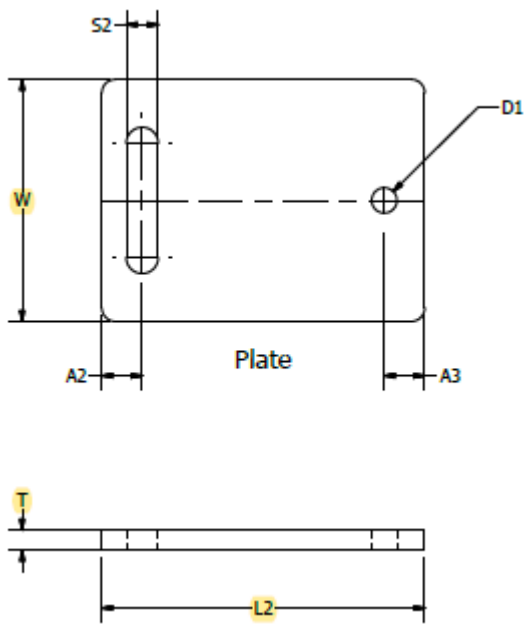
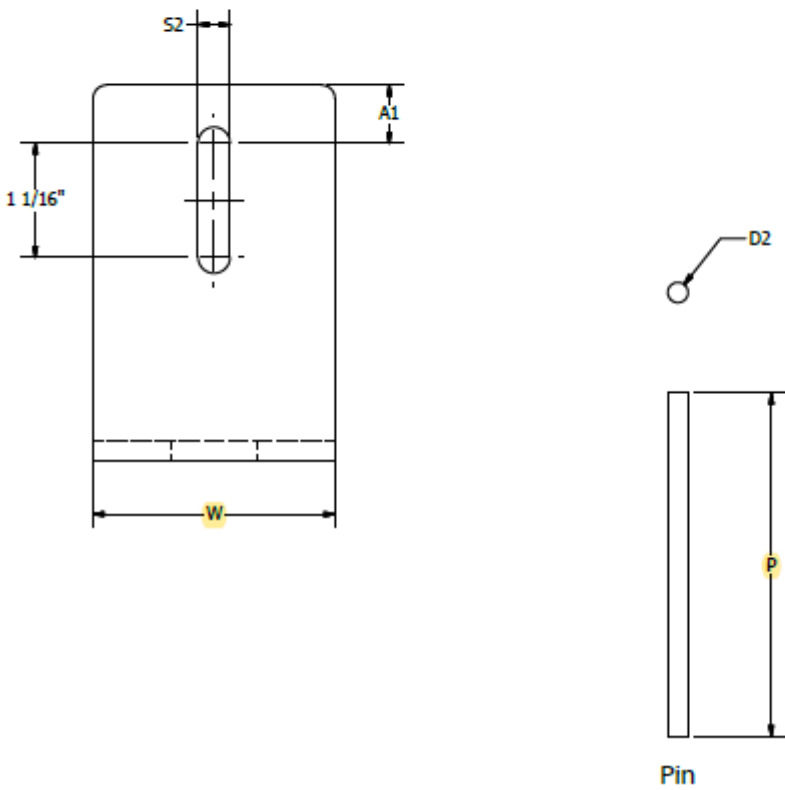
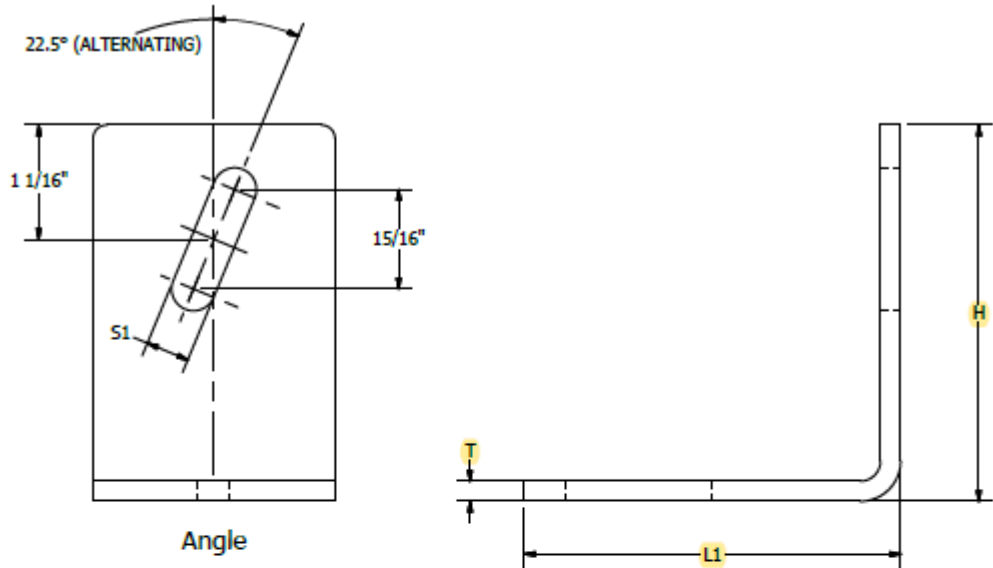
*Please fill out specific dimensions for each component on page 2.



Plate, Angle and Pin:
Stainless Steel ASTM 240 Type 304L

LEED/Recycled Content:
Steel: 87.6% post-consumer content; 6.8% pre-consumer content





COMPONENT DIMENSIONS			
L1	Length 1		<input type="checkbox"/> in <input type="checkbox"/> mm
L2	Length 2		
H	Height		
W	Width		
T	Thickness		
S1	Slot Width 1		
S2	Slot Width 2		
A1	Edge Dist. 1		
A2	Edge Dist. 2		
A3	Edge Dist. 3		
D1	Hole Diameter		
D2	Pin Diameter		
P	Pin Length		

Plate, Angle and Pin:
Stainless Steel (16 Gauge) ASTM 240 Type 304L

LEED/Recycled Content:
Steel: 87.6% post-consumer content; 6.8% pre-consumer content

All FERO products include complete documentation with descriptions, technical illustrations and images. Installation requirements and methods are clearly detailed. Satisfies requirements of CSA A370, ACI 530.1/ ASCE 6/ TMS 602, IBC, ASTM A123, ASTM A153, Class B. Canadian Patent No. 4 869 043, other foreign patents pending.

1.877.703.4463 / 780.455.5098

sales@ferocorp.com / engineering@ferocorp.com

www.ferocorp.com

