



Short Description



- Stainless steel IP68 single point load cell
- Suitable for single load cell structured platform scales
- High accuracy
- Maximum platform size: 600 x 600 mm

Non OIML approved

Available Models

| Capacity | Accuracy | Full Article Description |
|----------|----------|--------------------------|
| 100kg | C3 | BM6E-C3-100kg-2B |
| 200kg | C3 | BM6E-C3-200kg-2B |
| 300kg | C3 | BM6E-C3-300kg-2B |

Specifications and dimensions are subject to change without notice and do not constitute any liability whatsoever.

Technical Specifications BM6E

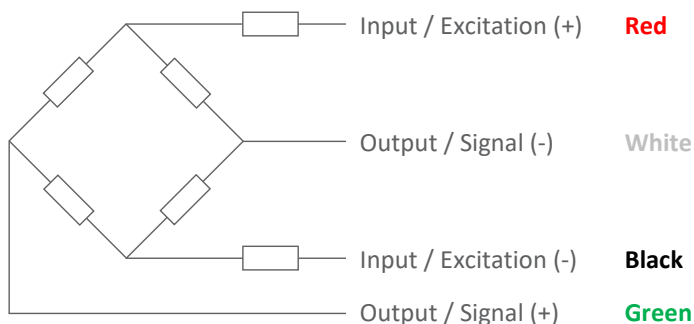
| | | | | |
|-----------------------------------------|-------------------------|-----------------|-------------|-------------|
| Accuracy Class | | C3 | | |
| Output Sensitivity (= FS) | mV/V | 2.0 ± 0.2 | | |
| Maximum Capacity (E _{max}) | kg | 100, 200, 300 | | |
| Max. Number of Load Cell Intervals | n _{LC} | 3000 | | |
| Ratio of min. LC Verification Interval | $Y = E_{max} / v_{min}$ | 10000 | | |
| Combined Error | %FS | ≤± 0.023 | | |
| Creep Error (30 minutes) | %FS | ≤± 0.016 | | |
| Temperature Effect on Zero (ZTC) | %FS/10°C | ≤± 0.015 | | |
| Temperature Effect on Sensitivity (STC) | %FS/10°C | ≤± 0.011 | | |
| Zero Balance | %FS | ≤± 1.5 | | |
| Safe Overload | %FS | 150 | | |
| Ultimate Overload | %FS | 300 | | |
| Maximum Deflection | mm | 100kg: 0.11 | 200kg: 0.16 | 300kg: 0.20 |
| Eccentric Loading Error | %Ld/cm | ± 0.002 | | |
| Excitation, Recommended Voltage | V | 5 ~ 12 | | |
| Excitation, Maximum Voltage | V | 18 | | |
| Input Resistance | Ω | 350 ± 3.5 | | |
| Output Resistance | Ω | 351 ± 2.0 | | |
| Insulation Resistance (50V) | MΩ | ≥5000 | | |
| Compensated Temperature | °C | -10 ~ + 40 | | |
| Operating Temperature | °C | -35 ~ + 65 | | |
| Storage Temperature | °C | -40 ~ + 70 | | |
| Load Cell Weight | kg | ~1.4 | | |
| Element Material | | Stainless Steel | | |
| Ingress Protection (acc. to EN 60529) | | IP68 | | |
| Recommended Torque on Fixation Bolts | Nm | M6: 10 | | |

Wiring

Features:

Cable type: Shielded, 4 conductor cable , conductor AWG 22
 Cable diameter: Ø 5.0mm
 Cable length: 2.0m
 Cable jacket: Polyurethane
 Shield not connected to element

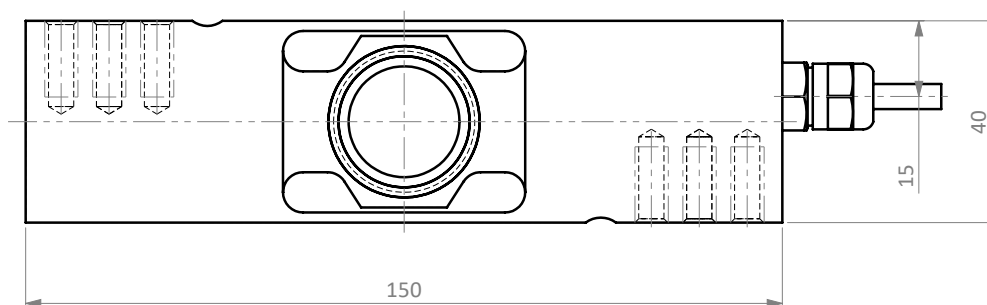
4-Wire Connection Diagram



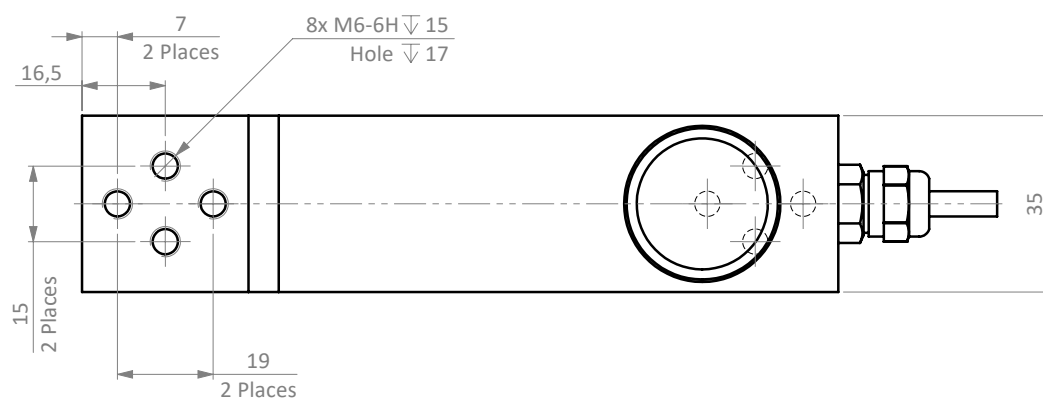
Specifications and dimensions are subject to change without notice and do not constitute any liability whatsoever.

Dimensions in mm

Front View



Top View



Isometric View

