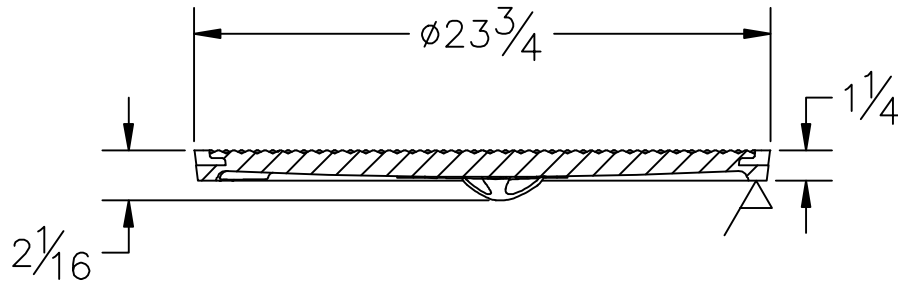
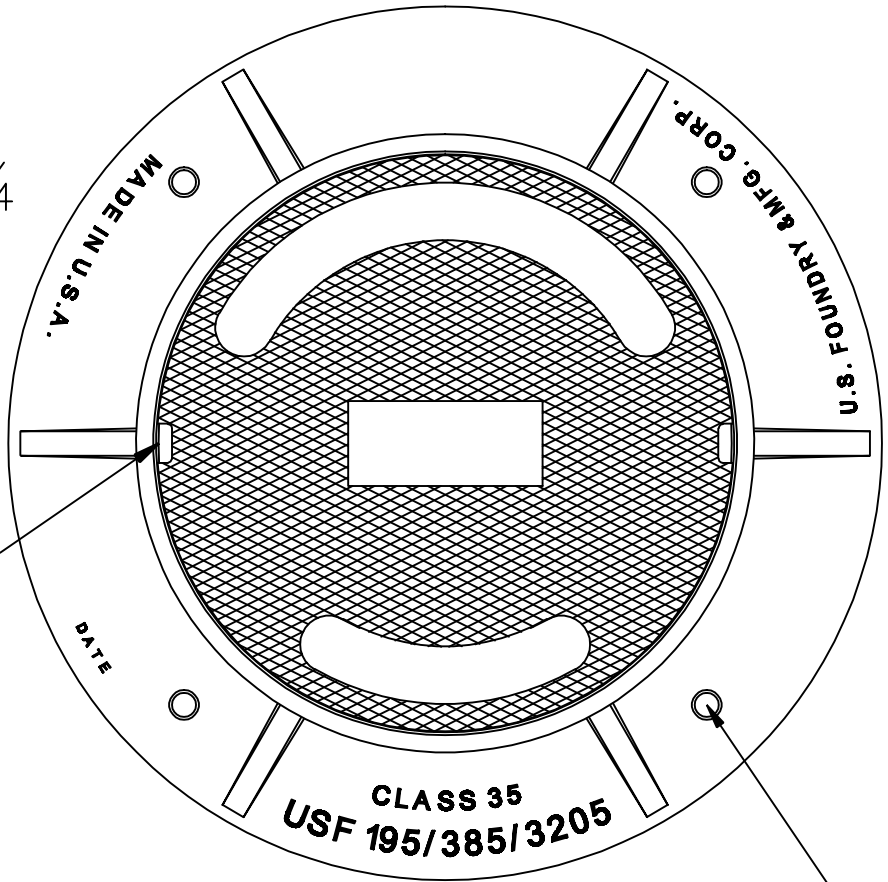


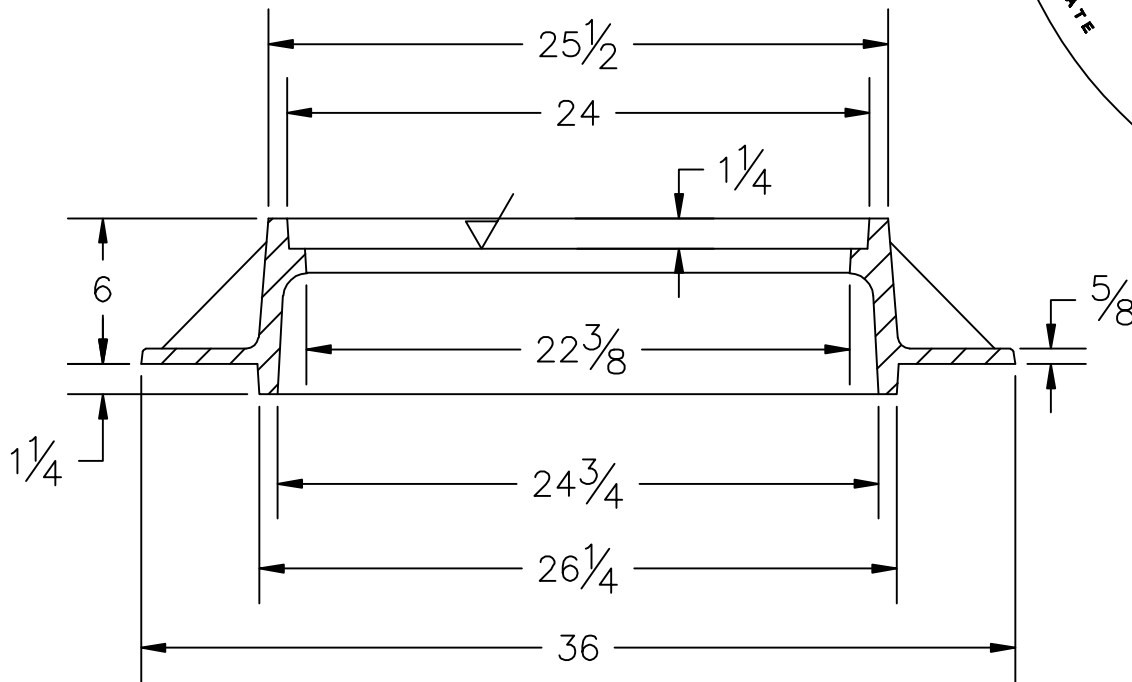
THE INFORMATION CONTAINED IN THIS DRAWING IS THE SOLE PROPERTY OF U.S. FOUNDRY & MANUFACTURING CORP. ANY REPRODUCTION IN PART OR AS A WHOLE WITHOUT THE WRITTEN PERMISSION OF U.S. FOUNDRY & MANUFACTURING CORP. IS PROHIBITED. U.S. FOUNDRY & MANUFACTURING CORP. RESERVES THE RIGHT TO MAKE MODIFICATIONS TO DESIGN WITHOUT PRIOR NOTICE. DRAWING IS UNCONTROLLED WHEN PRINTED. WEIGHTS AND DIMENSIONS ARE PROVIDED FOR REFERENCE ONLY. © 2014 US FOUNDRY AN EAGLE MANUFACTURING COMPANY



2x Non Penetrating Pick Holes



4x  $\phi 1$ " Anchor Holes




**US FOUNDRY**  
 AN EAGLE MANUFACTURING COMPANY © 2014 All Rights Reserved

8351 NW 93rd Street  
 Medley, FL, 33166-2025  
 ph: 1-800-432-9709  
 fax: 305-887-9429  
 www.usfoundry.com

USF 385 Ring & F-1 Cover

LOAD CLASSIFICATION: Heavy Duty		
MATERIAL: AASHTO M306 GRAY IRON CLASS35B		
Ring No:	8020148	SCALE: 1/8"=1"
Cover No:		DATE: 2/24/2015
		OWN. BY: AB/ULS
REV: 0	DATE:	REV BY:
		QUOTE#