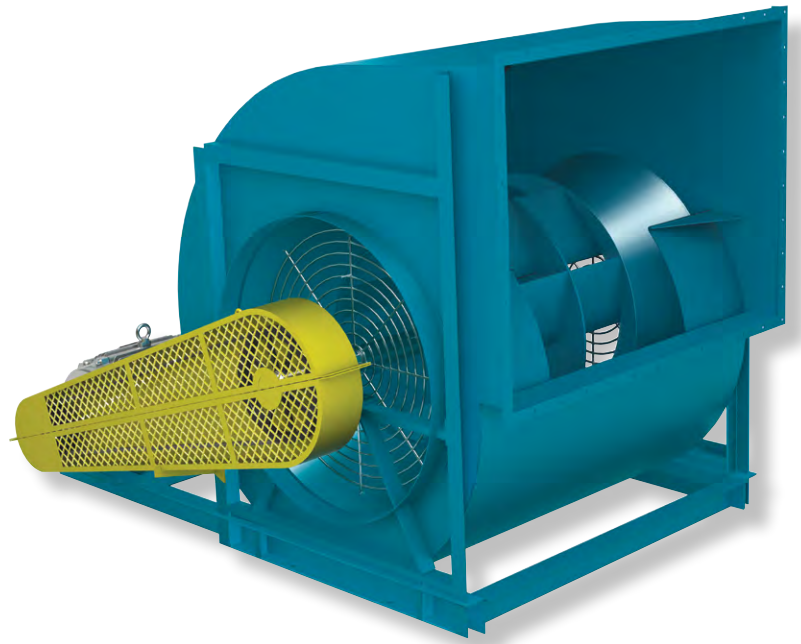




INDUSTRIAL PROCESS AND
COMMERCIAL VENTILATION SYSTEMS

AIRFOIL FANS

BAE-SW | BAE-DW

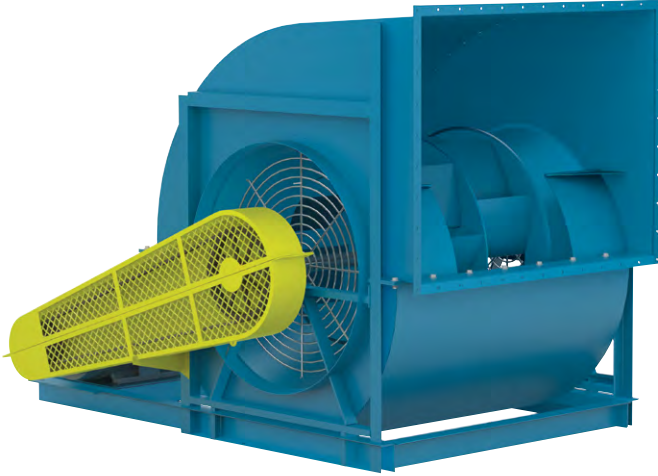


BACKWARD INCLINED AIRFOIL FANS



Models

BAE-SW | BAE-DW



BAE DWDI
Arrangement 3



BAE-SW
Arrangement 8

This catalog features the new BAE airfoil wheel design. It includes both the SWSI (single width, single inlet) and the DWDI (double width, double inlet) designs. The newly designed airfoil blades offer higher efficiencies and better sound characteristics than our previous designs.

Please discuss your particular application with the Twin City Fan & Blower representative for your area.

Twin City Fan & Blower has established itself as a leader in the design and manufacture of quality air moving equipment and continues to advance by implementing a philosophy that stresses quality in all of its operations. Our products are known for their rugged construction and reliability of operation. Twin City Fan & Blower offers flexibility in design and construction of fans coupled with superior service before and after the sale.

Model BAE-SW

Sizes

12.25" to 98.25" wheel diameters

Performance

Airflow to 233,100 CFM
Static pressure to 20" w.g.

Arrangements

Available in Arrangements 1, 3, 3F, 3SI, 4, 4S, 4VI, 4HI, 7SI, 8, 9, 9F, 9H, 10

Model BAE-DW

Sizes

12.25" to 98.25" wheel diameters

Performance

Airflow to 419,500 CFM
Static pressure to 14" w.g.

Arrangements

Available in Arrangements 3, 3F, 3DI, 7DI

Models BAE-SW and BAE-DW are available with the UL/cUL 705 listing for electrical, File No. E158680.



Twin City Fan & Blower certifies that the Model BAE-SW and BAE-DW fans shown herein are licensed to bear the AMCA Seal. The ratings shown are based on tests and procedures performed in accordance with AMCA Publication 211 and comply with the requirements of the AMCA Certified Ratings Program.

Refer to Catalog 375 for sound power levels.



For complete product performance, drawings and available accessories, download our Fan Selector program at tcf.com.

Models

BAE-SW | BAE-DW

Wheel Construction

High efficiency, non-overloading airfoil wheels are provided on all sizes and arrangements. Wheels shall have precision spun, flat inlet cones to allow higher efficiencies over the performance range of the fan. Aluminum wheels using extruded aluminum blades are provided as standard on sizes 245 and smaller and are available as an option on larger units.

The BAE-DW wheels shall have staggered blades for improved sound characteristics. All hollow blade wheels shall be continuously welded around all edges. All wheels shall be statically and dynamically balanced on precision electronic balancers to a Balance Quality Grade G6.3 per ANSI/AMCA 204 or better.

Housing Construction

All fan housings are continuously welded to provide strength and durability for extended service life — a necessity in all commercial and industrial installations.

All housings are reinforced with rigid bracing to increase structural integrity. The support angles are intermittently welded and caulked between welds to prevent bleed-through corrosion. Precisely positioned cutoff plates and aerodynamically spun inlet cones provide high efficiency and smooth airflow through the fan. The housing construction and dimensions are exactly the same as our current BAF fan design.

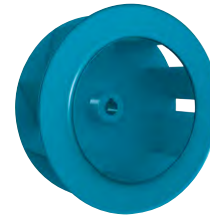
All fans are available in standard discharge configuration. BAE-SW fans Class I and II, sizes 270 and smaller in Arrangements 1, 4, and 9 are field rotatable to any standard discharge position. To help reduce overall heights, all BAE-DW fans feature a non-rotatable housing design as standard.

Shaft

Shafts are AISI Grade 1040 or 1045 hot-rolled steel accurately turned, ground, polished, and ring gauged for accuracy. Shafts are generously sized for a first critical speed of at least 1.43 times the maximum speed for the class.

Bearings

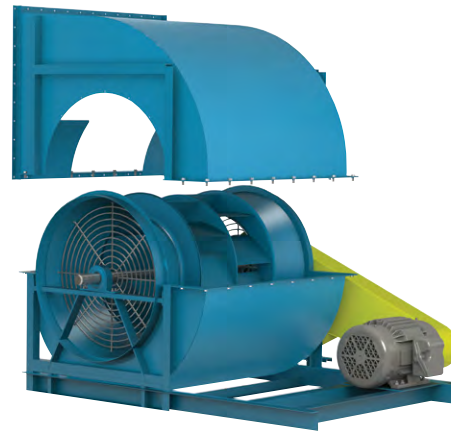
Bearings are heavy duty, grease lubricated, spherical roller or anti-friction ball (BAE-DW bearings are adapter mounted), self-aligning, pillow block type, selected for minimum average bearing life (AFBMA L-50) in excess of 200,000 hours at the maximum fan RPM.



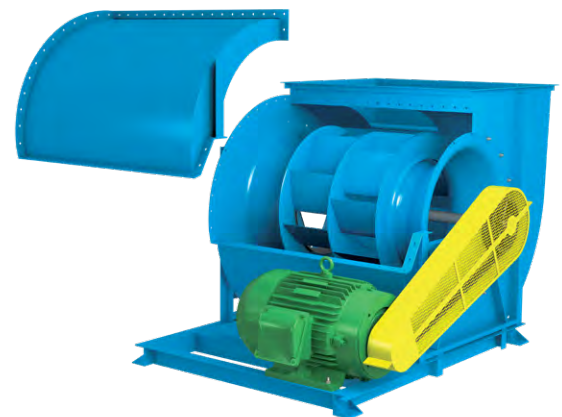
BAE-SW Wheel



BAE-DW Wheel



Split Housings
(Horizontal or Pie-Shaped)

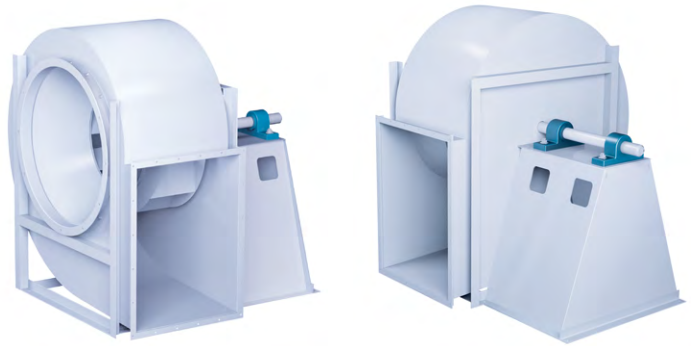


Optional Construction:

- Split Housings
- High Temperature Construction (see page 11)

Arrangement 1 SWSI — Single Width, Single Inlet

Arrangement 1 is usually belt driven. The wheel is overhung on the shaft, i.e., mounted at the end of the shaft. The motor can be mounted in any of the four AMCA standard motor positions, W, X, Y, or Z. The two fan bearings are mounted on the bearing pedestal, out of the airstream, which makes them ideal for high temperature or contaminated air applications. Belt driven configurations offer performance flexibility.



Arrangement 3 SWSI — Single Width, Single Inlet

Arrangement 3 is configured with the wheel mounted between the bearings making it structurally sound and compact. The arrangement 3 has one bearing located in the airstream. The motor can be mounted in any of the four AMCA standard motor positions, W, X, Y, or Z.



Arrangement 3F SWSI — Single Width, Single Inlet

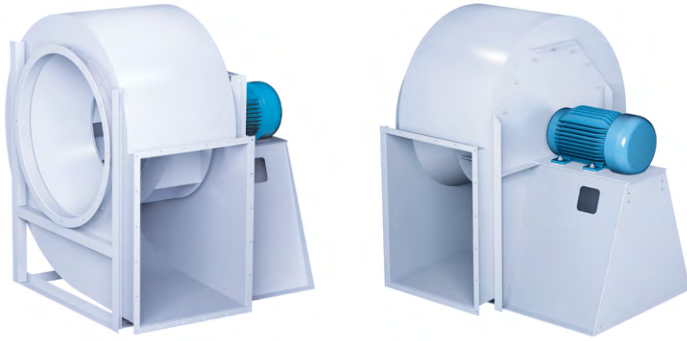
Arrangement 3F is an Arrangement 3 with extended angle frame to mount the motor and horizontal slide base as an assembly. Arrangement 3F is not suitable for mounting vibration isolators directly under the fan.



Arrangement 3SI SWSI — Single Width, Single Inlet

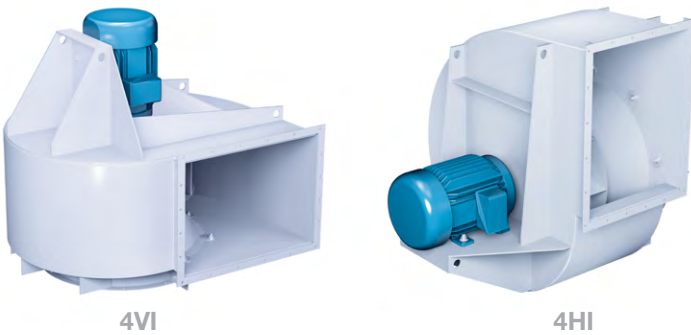
Arrangement 3SI is direct drive. Like the Arrangement 3, the wheel is mounted between the bearings. The Arrangement 3SI utilizes an integrated inlet box to locate the bearing outside of the airstream which allows for elevated operating temperatures and relatively clean air. The Arrangement 3SI includes a pie split housing for easy wheel removal. The motor is located by the customer off the fan assembly and direct coupled to the shaft opposite of the inlet box side.





Arrangement 4
SWSI — Single Width, Single Inlet

Arrangement 4 is a direct drive fan. The wheel is mounted directly to the motor shaft with the motor mounted to a pedestal. Arrangement 4 offers low maintenance since there are no fan bearings, fan shaft or drive parts to maintain. Arrangement 4 fans are typically limited up to size 365.

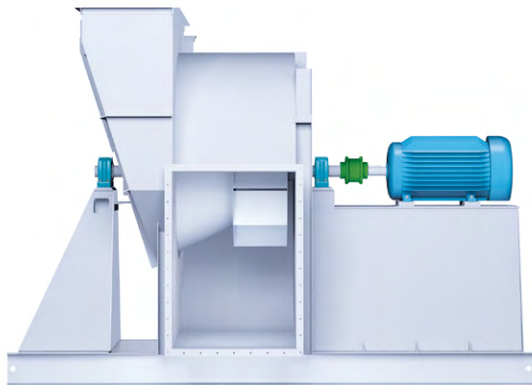


4VI

4HI

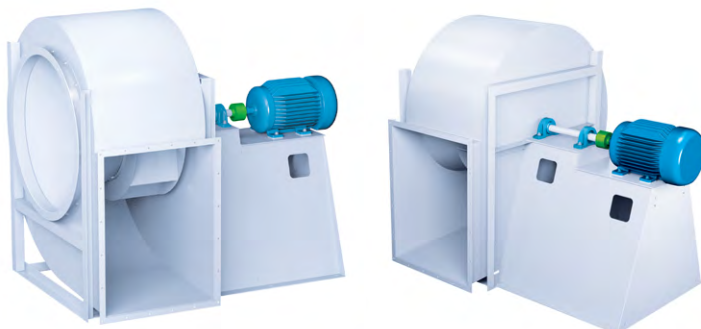
Arrangements 4VI (Vertical) & 4HI (Horizontal)
SWSI — Single Width, Single Inlet

Arrangement 4VI and 4HI are modified Arrangement 4 fans designed to mount directly on the inlet of the fan. The Arrangement 4VI and 4HI fans feature reinforced inlets and removable motor side to allow the rotating assemblies to be removed without removing the housing from the mounting structure. Arrangement 4VI fans utilize a vertical airflow into the fan (vertical motor shaft) and Arrangement 4HI fans employ horizontal airflow into the fan (horizontal motor shaft).



Arrangement 7SI
SWSI — Single Width, Single Inlet

Arrangement 7SI is direct drive. Like the Arrangement 3SI, the wheel is mounted between the bearings. The Arrangement 7SI includes an integrated inlet box to locate the bearing outside of the airstream. The pedestal is designed to accommodate the motor, flexible coupling and one bearing. A pie split housing is provided for easy wheel removal. The fan assembly is then mounted on a unitary base as standard. An inertia base is an available option.

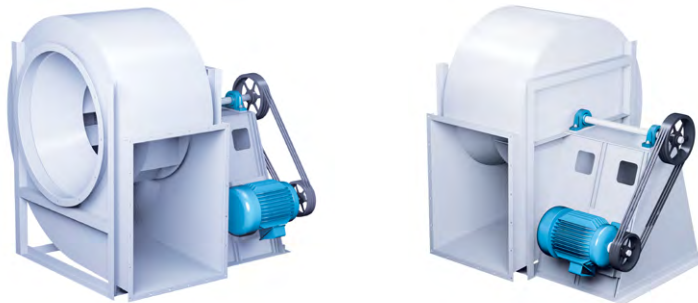


Arrangement 8
SWSI — Single Width, Single Inlet

Arrangement 8 is a modified version of Arrangement 1 used for direct drive. The Arrangement 1 bearing pedestal is extended to accommodate the motor. A flexible coupling connects the fan and motor shaft.

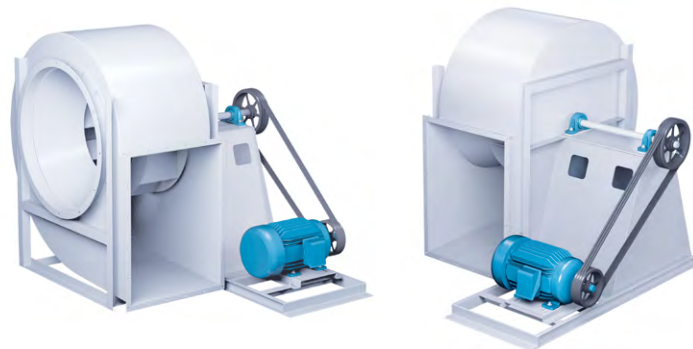
Arrangement 9 SWSI — Single Width, Single Inlet

Arrangement 9 is available as belt driven only. A motor slide base is mounted on the side of the bearing pedestal. This arrangement permits the unit to ship as a complete assembly with the motor and drive mounted. Typically, the motor is mounted on the left side of the pedestal for CW rotation fans and on the right side for CCW rotation fans.



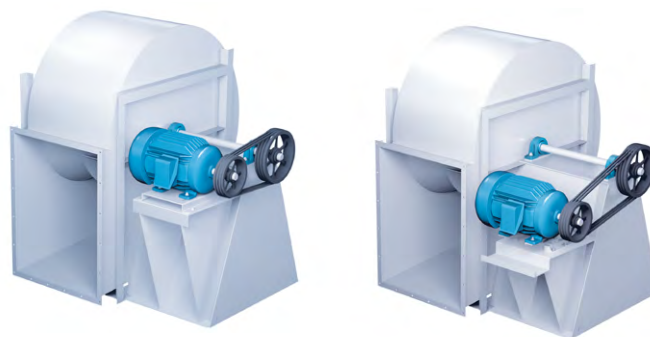
Arrangement 9F SWSI — Single Width, Single Inlet

Arrangement 9F is available when an Arrangement 9 requires a motor which is too large to mount on the bearing pedestal. The fan frame is extended to accommodate the motor, for horizontal mounting, similar to an Arrangement 1 fan. Arrangement 9F is not suitable for mounting vibration isolators directly under the fan.



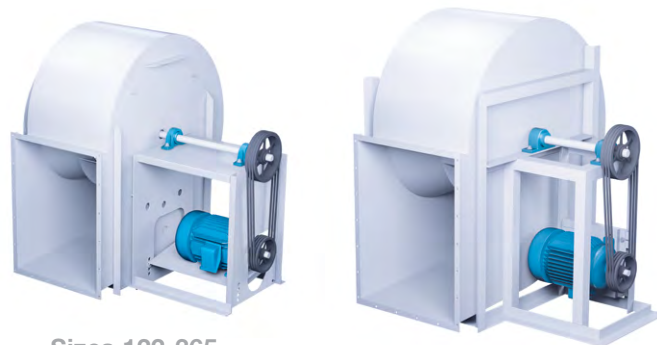
Arrangement 9H SWSI — Single Width, Single Inlet

Arrangement 9H is available for motor mounting on the side of the bearing pedestal when horizontal motor adjustment is preferred. The pedestal is extended on one side to accommodate the motor for horizontal mounting. Typically, the motor is mounted on the left side of the pedestal for CW rotation fans and on the right side for CCW rotation fans.



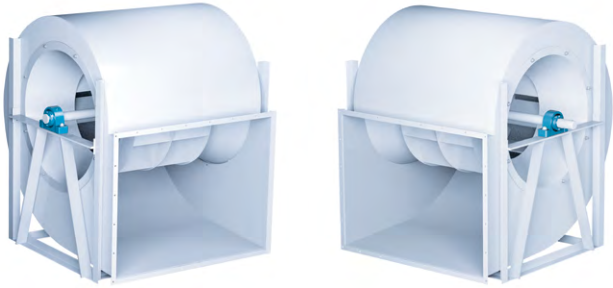
Arrangement 10 SWSI — Single Width, Single Inlet

Arrangement 10 is available as belt driven only. For Class I and II fans, sizes 122 through 365, Arrangement 10 units are commonly referred to as Ventilating Sets. (Refer to Catalog 600 for more details.) Arrangement 10 units have adjustable motor bases mounted inside the bearing pedestal. This arrangement offers a more compact design than the Arrangement 9 and is suitable for roof or outdoor installations when supplied with the optional weather cover.



Sizes 122-365
(Vent Sets)

Sizes 402+



Arrangement 3

DWDI — Double Width, Double Inlet

DWDI fans are generally supplied in Arr. 3 for V-belt drive. The wheel is mounted between the bearings and supported by the fan housing. Since both bearings are located in the airstream, standard DWDI fans should be used for clean air applications with air temperatures limited to 130°F. The motor can be mounted in any of the four standard motor positions: W, X, Y or Z.



Arrangement 3DI

DWDI — Double Width, Double Inlet

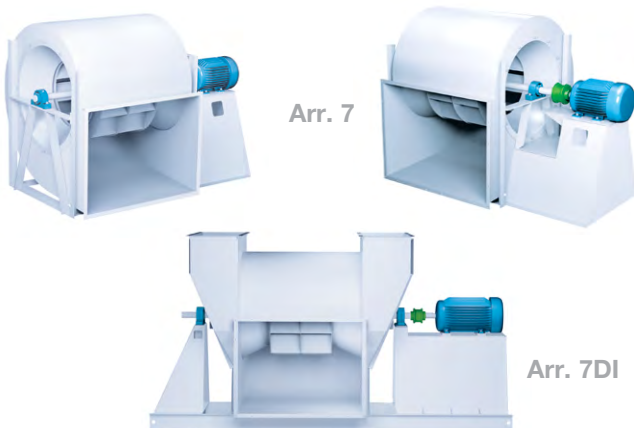
Arrangement 3DI is direct drive. Like the Arrangement 3, the wheel is mounted between the bearings. The Arrangement 3DI utilizes integrated inlet boxes to locate the bearings outside of the airstream on independent bearing pedestals which allows for elevated operating temperatures and relatively clean air. The Arrangement 3SI includes a pie split housing for easy wheel removal. The motor is located by the customer off the fan assembly and direct coupled to the shaft.



Arrangement 3F

DWDI — Double Width, Double Inlet

Arrangement 3F offers an integral extended base to accommodate the motor. The base is prepunched to accept vibration isolators. Arr. 3F is available to Size 660 and for motor positions W and Z as standard. For motor positions X and Y, consult factory.



Arrangement 7 & 7DI

DWDI — Double Width, Double Inlet

Arrangement 7 and 7DI are direct drive. Like the Arrangement 3 and 3DI, the wheel is mounted between the bearings, but the 7 and 7DI incorporate a pedestal designed to accommodate the motor, flexible coupling and one bearing. The Arrangement 7DI utilizes integrated inlet boxes to locate the bearings outside of the airstream allowing for elevated operating temperatures and relatively clean air. A pie split housing is provided for easy wheel removal. The Arrangement 7DI fan assembly is then mounted on a unitary base as standard. An inertia base is an available option.

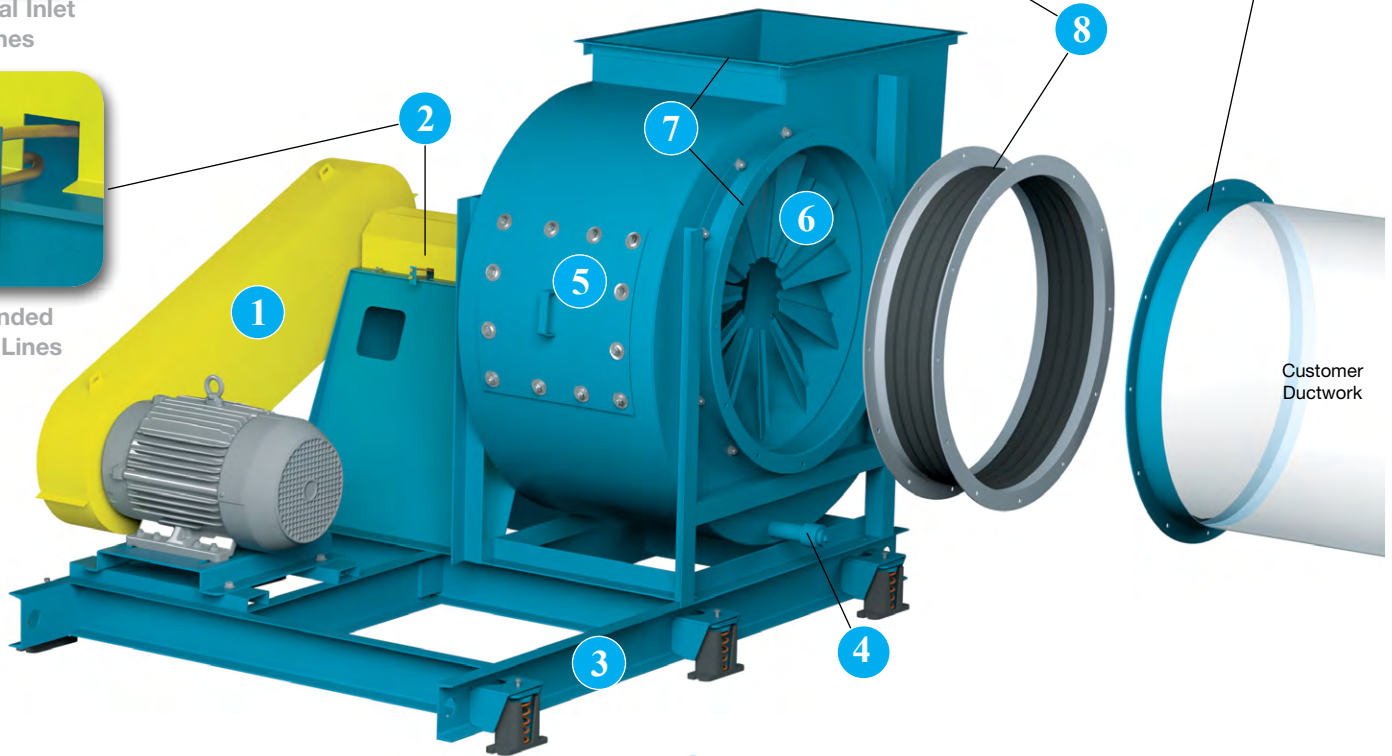
OPTIONS/ACCESSORIES



External Inlet Vanes



Extended Lube Lines



1 Belt Guard Belt guard protects personnel from the moving drive parts. OSHA and quick access guards are available. Arrangement 10 offers a standard belt guard.

2 Shaft Guard, Bearing Guard & Extended Lube Lines Sheet metal guards cover shaft and bearings and come with extended lube lines to a common point outside of the guard. A guard spanning the shaft between the bearings is available to provide open access to bearings for lubrication and vibration monitoring.

3 Vibration Isolation Bases provide a common support to fan, motor and drive including guards and utilize heavy duty structural channel. Vibration isolation bases require spring or rubber-in-shear type isolators that are designed to limit forces transmitted to the support structure of an operating fan. Flexible connectors at inlet and outlet are also required (as shown).

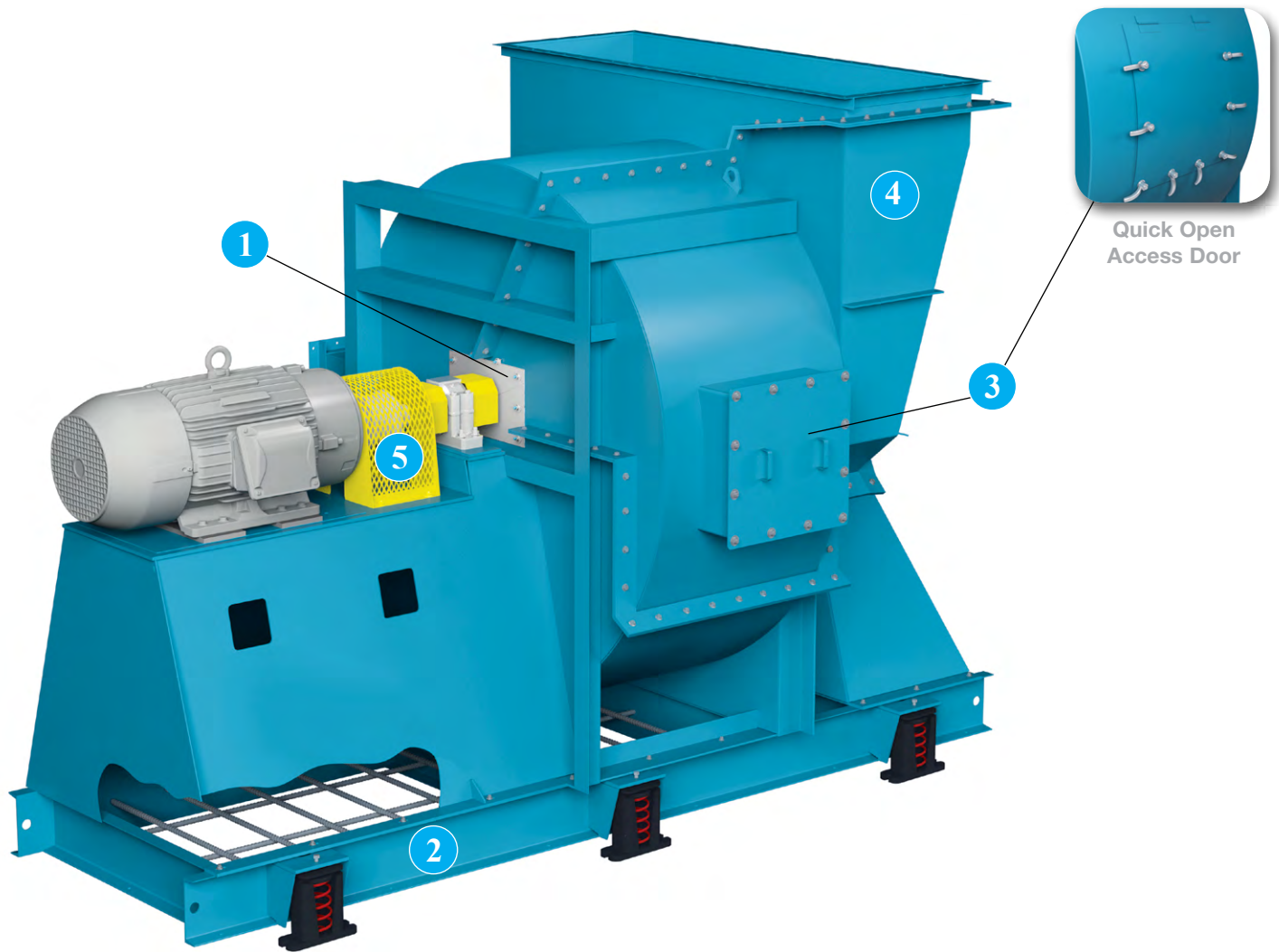
4 Drain with Plug Threaded pipe coupling welded to the lowest point in the housing scroll. All fans come with a weep hole in the bottom of the housing as standard.

5 Bolted Access Doors for wheel inspection and maintenance. See page 9 for raised & quick access doors.

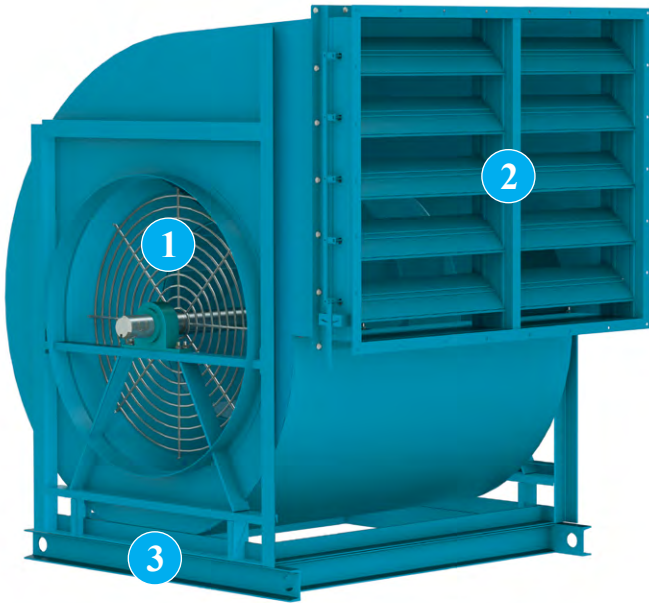
6 Nested & External Inlet Vanes Variable inlet vanes cause the entering air to spin in the direction of wheel rotation, resulting in reduction in volume, static pressure and brake horsepower and thus providing an infinite number of fan curves approximately parallel to the original fan curve. Variable inlet vanes cost about 50% to 80% more than outlet dampers but offer significant savings in energy. Both types are available to 600°F construction.

7 Flanged Inlets/Outlets Punched inlet flanges are available for duct mounting (as shown). Punched or unpunched outlet flanges are welded to the fan outlet. Unpunched flanged outlet is standard on all SWSI and DWDI Class III and IV fans.

8 Inlet/Outlet Companion Flanges & Flex Connectors (Round & Rectangular) Companion flanges are commonly connected to a user's duct for easy installation of flexible connections between the fan and duct. Companion flanges and flex connectors are punched to match the fan's inlet or outlet punching.



- 1 Shaft Seals** reduce leakage and protect the bearings from a contaminated airstream. Standard seals are constructed of Tetraglas compressed between an aluminum cover plate and the fan housing. The standard shaft seal is not gas tight. Special seals are available for low leakage applications requiring more protection.
- 2 Inertia Bases** provide a common support to fan, motor and drive including guards and utilize heavy duty structural channel with spring isolators. Inertia bases incorporate reinforcing rods and require customer supplied concrete. Inertia bases are typically used on longer, direct drive fans to mitigate assembly deflection, maintaining proper alignment between the motor, coupling, shaft and bearings. Flexible connectors at inlet and outlet are required.
- 3 Raised Access or Quick Access Doors** for quick wheel inspection and maintenance.
- 4 Inlet Boxes** are designed to minimize pressure drop and are recommended for applications where uniform flow is difficult to obtain due to limited space. Inlet boxes can be designed to be either detachable or integral (shown above) to the fan.
- 5 Coupling Guards** are designed to cover the rotating shaft and drive components.



1 Inlet & Outlet Safety Screens are available for mounting in the fan inlet or outlet in non-ducted applications.

2 Outlet Dampers (Opposed or Parallel Blade) Outlet dampers add resistance to the fan by shifting the operating point to the left of the rating point. The horsepower savings depends on the relative position on the fan curve and is usually much less than other methods. Outlet dampers are typically the least expensive option and should be considered when infrequent operation at lesser capacity is desired or when handling hot, humid or particulate laden air. **Parallel blade dampers** are recommended for systems where air volume is modulated between full-open to about 75% of open. **Opposed blade dampers** cost about 10% more and are recommended for systems where volume is modulated over the entire range. Opposed blades reduce air volume in a closer relationship to the control arm movement. Both types are available to 750°F construction.

3 Unitary Base utilize structural channel to support the fan assembly and are designed for use without isolators.

OTHER OPTIONS/ACCESSORIES INCLUDE

Variable Frequency Drive (VFD) A VFD changes the fan speed for reduced volume operation and deliberate acceleration rates at start up. A VFD can provide the greatest potential for energy savings. A VFD should be considered for extended operation at part load conditions, especially below 70% of the full volume operation.

V-Belt Drives offer an economical yet flexible means of transmitting power to the fans. There are two types of V-belt drives. **Adjustable pitch** drives offer easy adjustment of speed. The motor pulley pitch can be adjusted when the fan is at rest offering speed variation of about 10% from the design speed. This style of sheave can result in higher vibration so adjustable pitch drives are not recommended for use on motors over 10 HP or wherever low vibration is required. **Fixed pitch or constant speed drives** offer low cost and the lowest vibration levels. Speed change can often be accomplished by changing only one of the sheaves.

Special Paint & Protective Coatings are available for many applications. Refer to Engineering Supplement ES-35 (Protective Coatings Guide) for more details.

Bearing Upgrades to unit roller with non-split pillow block or spherical roller with split pillow block housings (bearing races not split) are available. Spherical roller bearings with split pillow block housings are not available for fans with less than 1-7/16" diameter bearings nor recommended for fans with lightly loaded bearings. Refer to Fan Engineering Data FE-1200 (Fan Bearing Selection) and FE-1300 (Fan Bearing Maintenance & Troubleshooting) for the correct type of bearings, selection criteria, maintenance, etc.

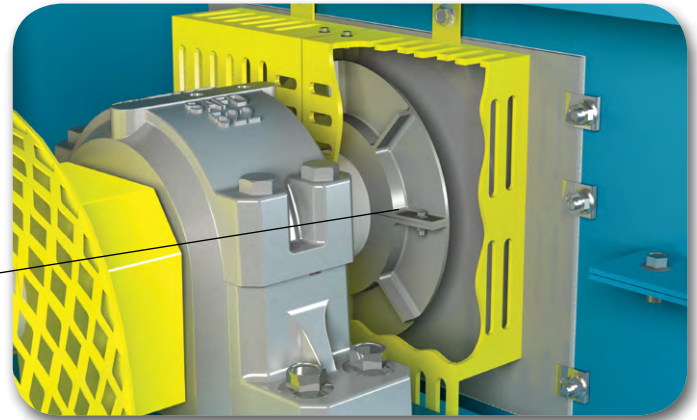
- **Bearing RTD (temperature sensors)**
- **Vibration sensors**
- **Piezometer ring airflow measuring system. Refer to Twin City Fan Engineering Supplement ES-105 (Airflow Measuring System Using Piezometer Ring).**
- **Steel Wall & Iron Clad Housings**
- **Insulation Pins**
- **Consult factory for other accessories**

High Temperature Construction

Standard fan design options are available to handle airstream temperatures to 800°F. Consult your Twin City Fan & Blower representative for applications over 800°F. The fan bearings should be kept outside of the hot airstream and below 130°F ambient. High temperature operating limits, available arrangements, and necessary modifications are shown in Table 1.

Shaft Cooler (Heat Slinger)

Cast aluminum shaft cooler dissipates the heat transferred to the shaft from the airstream protecting the fan bearings. Recommended for applications over 300°F.



Shaft Cooler & Safety Guard

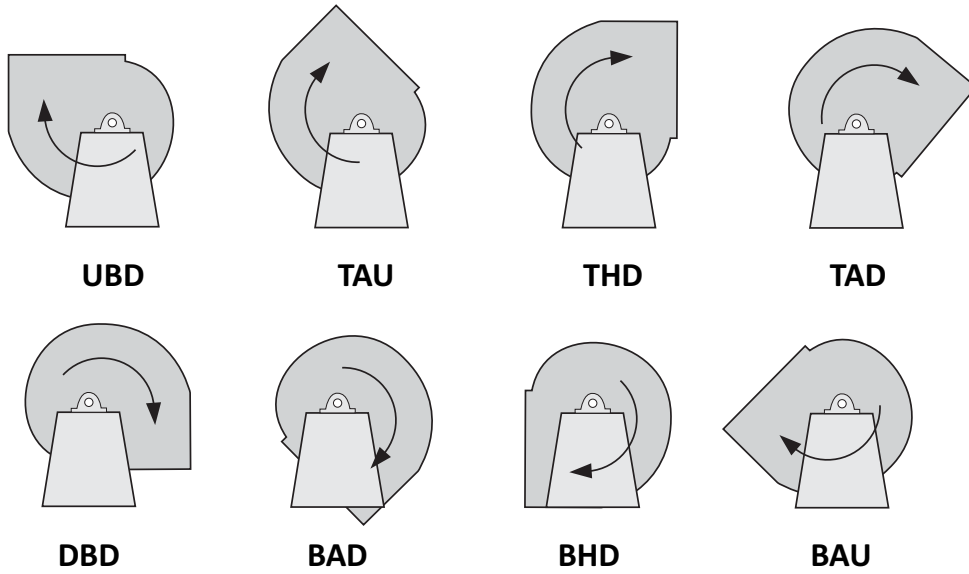
Table 1. High Temperature Construction Requirements

TEMPERATURE (°F)	TYPE OF BEARING	LUBRICATION	OTHER REQUIREMENTS	AVAILABLE ARRANGEMENTS
-20°F to +300°F	Ball or Roller	Grease	Standard Fan	Arr. 1, 8, 9, 9F, 10 Arr. 3 and 3F to 130°F Arr. 4 to 180°F
300°F to 500°F	Ball or Roller with (1) Expansion Bearing	High Temp. Grease	Shaft Cooler, Shaft Seal. For Arr. 9 & 10 Fans, a Motor Heat Shield is Included.	Arr. 1, 8, 9, 9F, 10
500°F to 800°F	Ball or Roller with (1) Expansion Bearing	High Temp. Grease	High Temp. Aluminum Paint Shaft Cooler, Shaft Seal. For Arr. 9 & 10 Fans, a Motor Heat Shield is included.	Arr. 1, 8, 9, 9F, 10 (Arr. 9 & 10 Limited to 600°F)

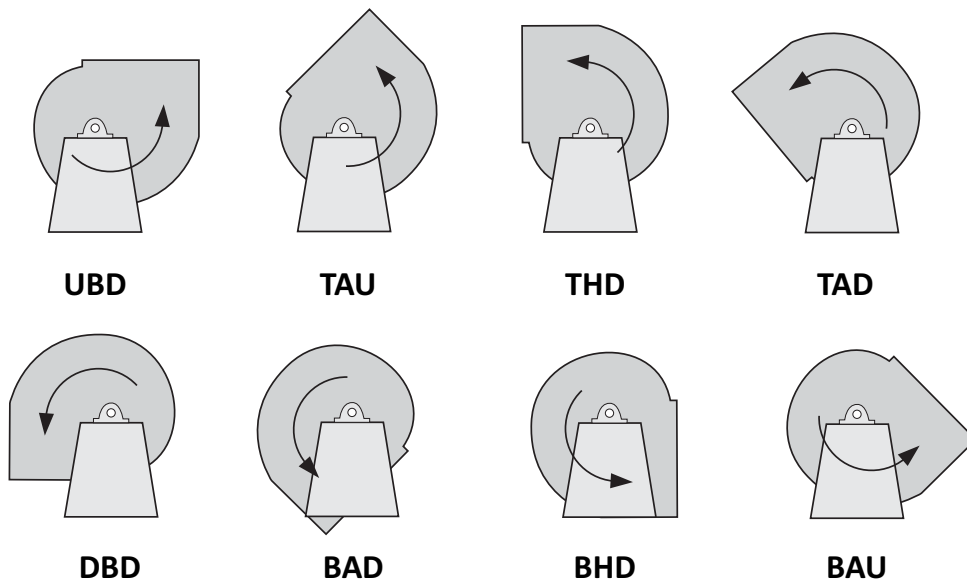
Derating Factors For High Temperature

Fan operation at high temperature adversely affects the strength of fan wheels. As a result, the maximum safe speed must be derated. Consult Fan Selector (FS10) for maximum safe speeds at elevated operating temperatures.

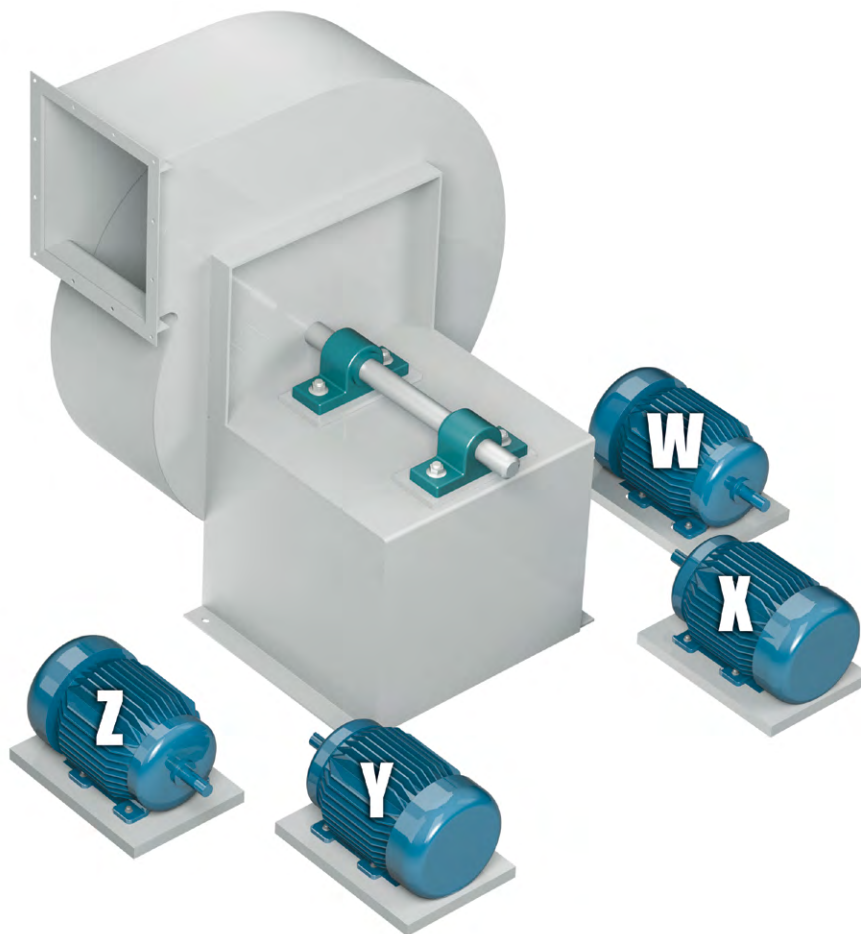
CLOCKWISE (CW) - ROTATION & DISCHARGE
(ROTATION VIEW FROM DRIVE SIDE)



COUNTER CLOCKWISE (CCW) - ROTATION & DISCHARGE
(ROTATION VIEW FROM DRIVE SIDE)



AMCA Motor Position Standards



The drawing above illustrates the AMCA motor position standards for Arrangement 1 and 3 fans (Arrangement 1 shown). The location of the motor is determined by facing the drive side of the fan and designating the motor position by letters W, X, Y, or Z, in accordance with the diagram shown above.



Maximum RPM, Wheel Weights & WR² (moment of inertia in lb-ft²)

SWSI

SIZE	SW ALUMINUM											
	CLASS I			CLASS II			CLASS III			CLASS IV		
	MAX. RPM	WHEEL WEIGHT (LB)	WR ² (LB-FT ²)	MAX. RPM	WHEEL WEIGHT (LB)	WR ² (LB-FT ²)	MAX. RPM	WHEEL WEIGHT (LB)	WR ² (LB-FT ²)	MAX. RPM	WHEEL WEIGHT (LB)	WR ² (LB-FT ²)
122	3990	9.4	0.97	5206	9.4	0.97	NA	NA	NA	NA	NA	NA
135	3265	10.1	1.4	4260	10.1	1.4						
150	3260	13.7	2.12	4253	13.6	2.12						
165	2673	15.7	3.23	3487	16.8	4.04						
182	2207	17	6.1	2879	18	6.1						
200	2014	21	6.4	2627	21	7.4						
222	1814	30	12	2367	30	12						
245	1647	35	21	2149	35	21						
270	1474	40	29	1923	40	29						
300	1327	49	46	1731	54	51						
330	1206	62	70	1573	67	76	1982	72	77			
365	1080	73	103	1409	79	112	1775	84	114			
402	979	85	151	1278	93	165	1610	98	166			
445	886	126	233	1156	135	253	1456	142	256			
490	804	164	391	1050	164	391	1322	174	535			
542	727	227	632	948	227	632	1194	239	673			
600	657	255	931	857	255	931	1080	270	991			
660	597	346	1377	779	346	1377	982	371	1478			
730	540	412	2049	705	499	2671	888	550	2985			
807	488	499	3008	637	574	3474	NA	NA	NA	NA	NA	
890	443	774	5652	578	884	6438						
982	401	904	8248	523	1041	9443						

SIZE	SW STEEL											
	CLASS I			CLASS II			CLASS III			CLASS IV		
	MAX. RPM	WHEEL WEIGHT (LB)	WR ² (LB-FT ²)	MAX. RPM	WHEEL WEIGHT (LB)	WR ² (LB-FT ²)	MAX. RPM	WHEEL WEIGHT (LB)	WR ² (LB-FT ²)	MAX. RPM	WHEEL WEIGHT (LB)	WR ² (LB-FT ²)
122	NA	NA	NA	NA	NA	NA	NA	NA	NA	NA	NA	NA
135												
150												
165												
182												
200												
222												
245												
270	1474	99	70	1923	99	70	2423	121	82	2756	135	91
300	1327	124	106	1731	124	106	2181	148	123	2480	160	137
330	1206	151	162	1573	150	162	1982	185	183	2255	199	203
365	1080	218	276	1409	216	276	1775	251	293	2040	251	306
402	979	252	401	1278	251	401	1610	289	451	1850	288	444
445	886	340	620	1156	339	620	1456	437	815	1673	464	848
490	804	392	895	1050	390	895	1322	533	1257	1520	563	1308
542	727	567	1423	948	608	1543	1194	738	2068	1373	810	2262
600	657	696	2246	857	698	2246	1080	856	2986	1241	942	3356
660	597	942	3413	779	953	3415	982	1132	4494	1128	1235	5040
730	540	1092	5274	705	1103	5276	888	1390	7222	1020	1507	7812
807	488	1288	7766	637	1397	8451	802	1617	10610	922	1758	11505
890	443	1935	14129	578	1940	14130	728	2353	18160	837	2498	19429
982	401	2245	20481	523	2258	20483	654	2971	29160	756	---	---

Maximum RPM, Wheel Weights & WR² (moment of inertia in lb-ft²)

DWDI

SIZE	DW ALUMINUM											
	CLASS I			CLASS II			CLASS III			CLASS IV		
	MAX. RPM	WHEEL WEIGHT (LB)	WR ² (LB-FT ²)	MAX. RPM	WHEEL WEIGHT (LB)	WR ² (LB-FT ²)	MAX. RPM	WHEEL WEIGHT (LB)	WR ² (LB-FT ²)	MAX. RPM	WHEEL WEIGHT (LB)	WR ² (LB-FT ²)
122	3957	14	1.1	5158	14.6	1.1	NA	NA	NA	NA	NA	NA
135	3374	14.8	1.56	4398	17.5	1.6						
150	3232	21.8	2.4	4213	23.8	2.43						
165	2761	25	3.75	3599	27.7	4.55						
182	2248	29	10.4	2930	29	9.9	3695	33	9.8			
200	2051	36	10.9	2674	40	14	3372	39	15.2			
222	1837	45	18	2395	53	21	3020	54	24			
245	1668	53	32	2175	62	37	2742	60	35			
270	1541	62	45	2009	69	50	2533	75	51			
300	1387	80	75	1808	86	81	2280	89	80			
330	1261	108	122	1644	114	129	2072	104	111			
365	1114	109	154	1452	123	174	1831	119	162			
402	1010	133	236	1317	144	256	1661	141	239			
445	914	191	353	1191	222	416	1502	219	395			
490	830	245	584	1082	260	619	1364	262	806			
542	750	339	945	977	337	939	1232	360	1014			
600	678	380	1388	883	376	1372	1114	401	1470			
660	616	495	1972	803	499	1987	1013	537	2141			
730	557	593	2949	726	716	3832	916	826	4484			
807	504	727	4382	656	819	4955	NA	NA	NA			
890	457	1131	8259	596	1295	9429						
982	414	1340	12230	539	1541	13979						

SIZE	DW STEEL											
	CLASS I			CLASS II			CLASS III			CLASS IV		
	MAX. RPM	WHEEL WEIGHT (LB)	WR ² (LB-FT ²)	MAX. RPM	WHEEL WEIGHT (LB)	WR ² (LB-FT ²)	MAX. RPM	WHEEL WEIGHT (LB)	WR ² (LB-FT ²)	MAX. RPM	WHEEL WEIGHT (LB)	WR ² (LB-FT ²)
122	NA	NA	NA	NA	NA	NA	NA	NA	NA	NA	NA	NA
135												
150												
165												
182												
200												
222												
245												
270	1541	152	116	2009	170	117	2533	195	130	2756	212	142
300	1387	201	176	1808	197	176	2280	227	196	2480	261	216
330	1261	263	272	1644	254	272	2072	268	290	2255	304	316
365	1114	326	439	1452	335	440	1831	356	444	2040	362	472
402	1010	395	640	1317	390	640	1661	417	700	1850	434	689
445	914	516	981	1191	557	984	1502	674	1317	1673	720	1383
490	830	585	1427	1082	618	1430	1364	803	2049	1520	830	2066
542	750	739	2128	977	771	2247	1232	963	3163	1373	991	3295
600	678	906	3338	883	897	3338	1114	1121	4614	1241	1180	4975
660	616	1349	5213	803	1375	5217	1013	1640	7099	1128	1788	7674
730	557	1571	8239	726	1582	8243	916	2088	11718	1020	2139	12086
807	504	1876	12195	656	1992	12933	828	2450	17251	922	2533	17816
890	457	2827	21881	596	2842	21887	751	3300	27962	837	3377	28592
982	414	3329	31933	539	3343	31941	---	---	---	---	---	---

SWSI Class I

SIZE	HOUSING		SHAFT DIAMETER & BEARINGS				BARE FAN WEIGHT (LB)		
	SIDES	SCROLL	ARR 1 & 9		ARR 3		ARR 1	ARR 3	ARR 9
			SHAFT DIA.	BEARING TYPE	SHAFT DIA.	BEARING TYPE			
122	14	14	1	B	1	B	122	104	129
135	14	14	1	B	1	B	141	125	148
150	14	14	1	B	1	B	169	149	178
165	14	14	1	B	1	B	199	200	209
182	14	14	1 ³ / ₁₆	B	1 ³ / ₁₆	B	238	202	251
200	14	14	1 ⁷ / ₁₆	B	1 ⁷ / ₁₆	B	288	229	304
222	12	14	1 ⁷ / ₁₆	B	1 ⁷ / ₁₆	B	363	250	384
245	12	14	1 ⁷ / ₁₆	B	1 ⁷ / ₁₆	B	440	306	464
270	12	14	1 ¹¹ / ₁₆	B	1 ⁷ / ₁₆	B	596	446	625
300	10	12	1 ¹⁵ / ₁₆	B	1 ¹¹ / ₁₆	B	721	665	756
330	10	12	1 ¹⁵ / ₁₆	B	1 ¹¹ / ₁₆	B	872	935	915
365	10	12	1 ¹⁵ / ₁₆	B	1 ¹⁵ / ₁₆	B	1094	1031	1146
402	10	12	2 ³ / ₁₆	B	1 ¹⁵ / ₁₆	B	1431	1297	1501
445	10	12	2 ⁷ / ₁₆	B	1 ¹⁵ / ₁₆	B	1673	1628	1755
490	10	12	2 ¹¹ / ₁₆	B	2 ³ / ₁₆	R	1951	1807	2046
542	10	12	2 ¹⁵ / ₁₆	B	2 ⁷ / ₁₆	R	2863	2402	3000
600	10	12	2 ¹⁵ / ₁₆	B	2 ¹⁵ / ₁₆	B	3375	3267	3538
660	10	12	3 ¹ / ₁₆	R	2 ¹⁵ / ₁₆	R	4277	4114	4486
730	10	10	3 ⁷ / ₁₆	R	3 ¹ / ₁₆	R	5221	4813	5479
807	10	10	3 ¹⁵ / ₁₆	R	3 ¹⁵ / ₁₆	R	5255	5498	5515
890	7	10	3 ¹⁵ / ₁₆	R	3 ¹⁵ / ₁₆	R	7220	6668	7576
982	7	7	4 ¹⁵ / ₁₆	SR	4 ¹⁵ / ₁₆	SR	9425	7847	9888

Bearing Types: B = Ball Bearing R = Unit Roller Bearings SR = Spherical Roller Bearings with Split Pillow Block Housings

SWSI Class II

SIZE	HOUSING		SHAFT DIAMETER & BEARINGS				BARE FAN WEIGHT (LB)		
	SIDES	SCROLL	ARR 1 & 9		ARR 3		ARR 1	ARR 3	ARR 9
			SHAFT DIA.	BEARING TYPE	SHAFT DIA.	BEARING TYPE			
122	14	14	1	B	1	B	128	114	134
135	14	14	1	B	1	B	147	137	154
150	14	14	1 ³ / ₁₆	B	1 ³ / ₁₆	B	180	163	189
165	14	14	1 ³ / ₁₆	B	1 ³ / ₁₆	B	211	219	221
182	14	14	1 ⁷ / ₁₆	B	1 ⁷ / ₁₆	B	250	220	264
200	14	14	1 ⁷ / ₁₆	B	1 ⁷ / ₁₆	B	295	250	311
222	12	14	1 ⁷ / ₁₆	B	1 ⁷ / ₁₆	B	373	279	394
245	12	14	1 ¹¹ / ₁₆	B	1 ¹¹ / ₁₆	B	463	342	489
270	12	14	1 ¹¹ / ₁₆	B	1 ¹¹ / ₁₆	B	610	489	640
300	10	12	1 ¹⁵ / ₁₆	B	1 ¹⁵ / ₁₆	B	726	718	762
330	10	12	2 ³ / ₁₆	B	2 ³ / ₁₆	B	879	997	924
365	10	12	2 ⁷ / ₁₆	B	2 ⁷ / ₁₆	B	1133	1095	1189
402	10	12	2 ⁷ / ₁₆	R	2 ⁷ / ₁₆	B	1459	1392	1531
445	10	12	2 ¹¹ / ₁₆	R	2 ¹¹ / ₁₆	R	1680	1724	1765
490	10	12	2 ¹⁵ / ₁₆	R	2 ¹¹ / ₁₆	R	1957	1907	2057
542	10	12	3 ¹ / ₁₆	R	2 ¹⁵ / ₁₆	R	2943	2576	3087
600	10	12	3 ⁷ / ₁₆	R	3 ⁷ / ₁₆	R	3429	3518	3598
660	10	12	3 ¹⁵ / ₁₆	R	3 ¹⁵ / ₁₆	R	4445	4476	4663
730	10	10	3 ¹⁵ / ₁₆	R	3 ¹⁵ / ₁₆	R	5415	5304	5682
807	10	10	4 ⁷ / ₁₆	SR	4 ⁷ / ₁₆	R	5503	6062	5776
890	7	10	4 ¹⁵ / ₁₆	SR	4 ¹⁵ / ₁₆	R	7621	7344	7995
982	7	7	5 ⁷ / ₁₆	SR	5 ⁷ / ₁₆	SR	9645	8595	10120

Bearing Types: B = Ball Bearing R = Unit Roller Bearings SR = Spherical Roller Bearings with Split Pillow Block Housings

SWSI Class III

SIZE	HOUSING		SHAFT DIAMETER & BEARINGS				BARE FAN WEIGHT (LB)		
	SIDES	SCROLL	ARR 1 & 9		ARR 3		ARR 1	ARR 3	ARR 9
			SHAFT DIA.	BEARING TYPE	SHAFT DIA.	BEARING TYPE			
122	NA								
135									
150									
165									
182									
200	10	10	1 ¹¹ / ₁₆	B	1 ¹¹ / ₁₆	B	272	377	287
222	10	10	1 ¹⁵ / ₁₆	B	1 ¹⁵ / ₁₆	R	408	444	431
245	7	7	2 ³ / ₁₆	B	1 ¹⁵ / ₁₆	R	572	488	604
270	7	7	2 ³ / ₁₆	B	1 ¹⁵ / ₁₆	R	763	658	801
300	7	7	2 ⁷ / ₁₆	R	2 ³ / ₁₆	R	987	1069	1036
330	7	7	2 ¹¹ / ₁₆	R	2 ⁷ / ₁₆	R	1202	1087	1262
365	7	7	2 ¹¹ / ₁₆	R	2 ⁷ / ₁₆	R	1429	1492	1501
402	7	7	2 ¹⁵ / ₁₆	R	2 ¹¹ / ₁₆	R	1778	1867	1867
445	7	7	3 ¹ / ₁₆	R	2 ¹⁵ / ₁₆	R	2225	2355	2335
490	7	7	3 ⁷ / ₁₆	R	2 ¹⁵ / ₁₆	R	2636	2704	2765
542	7	7	3 ¹⁵ / ₁₆	R	3 ⁷ / ₁₆	R	3782	3508	3965
600	7	7	4 ⁷ / ₁₆	SR	3 ¹⁵ / ₁₆	R	4741	4748	4971
660	7	7	4 ⁷ / ₁₆	SR	3 ¹⁵ / ₁₆	R	5623	6287	5897
730	7	7	4 ¹⁵ / ₁₆	SR	4 ⁷ / ₁₆	SR	6796	7374	7127
807	7	7	4 ¹⁵ / ₁₆	SR	4 ¹⁵ / ₁₆	SR	6735	8409	7066
890	7	7	5 ⁷ / ₁₆	SR	5 ⁷ / ₁₆	SR	8114	10043	8513

Bearing Types: B = Ball Bearing R = Unit Roller Bearings SR = Spherical Roller Bearings with Split Pillow Block Housings

SWSI Class IV

SIZE	HOUSING		SHAFT DIAMETER & BEARINGS				BARE FAN WEIGHT (LB)											
	SIDES	SCROLL	ARR 1 & 9		ARR 3		ARR 1	ARR 3	ARR 9									
			SHAFT DIA.	BEARING TYPE	SHAFT DIA.	BEARING TYPE												
122	NA																	
135																		
150																		
165																		
182																		
200																		
222																		
245																		
270										7	7	2 ⁷ / ₁₆	R	2 ³ / ₁₆	R	883	731	927
300										7	7	2 ¹¹ / ₁₆	R	2 ⁷ / ₁₆	R	1112	1180	1169
330	0.25	0.25	2 ¹⁵ / ₁₆	R	2 ¹¹ / ₁₆	R	1527	1614	1604									
365	0.25	0.25	3 ⁷ / ₁₆	R	2 ¹⁵ / ₁₆	R	1978	1673	2077									
402	0.25	0.25	3 ¹ / ₁₆	R	2 ¹⁵ / ₁₆	R	2425	2077	2547									
445	0.25	0.25	3 ¹⁵ / ₁₆	R	3 ⁷ / ₁₆	R	3100	2643	3252									
490	0.25	0.25	3 ¹⁵ / ₁₆	R	3 ⁷ / ₁₆	R	3567	2994	3742									
542	0.25	0.25	4 ⁷ / ₁₆	SR	3 ¹⁵ / ₁₆	R	4699	3883	4927									
600	0.25	0.25	4 ¹⁵ / ₁₆	SR	4 ⁷ / ₁₆	SR	5604	5218	5880									
660	0.25	0.25	4 ¹⁵ / ₁₆	SR	4 ⁷ / ₁₆	SR	6766	6962	7099									
730	0.25	0.25	5 ⁷ / ₁₆	SR	4 ¹⁵ / ₁₆	SR	8295	8104	8705									
807	0.25	0.25	5 ⁷ / ₁₆	SR	5 ⁷ / ₁₆	SR	8060	9224	8463									
890	0.25	0.25	5 ¹⁵ / ₁₆	SR	5 ¹⁵ / ₁₆	SR	9581	11012	10059									

Bearing Types: B = Ball Bearing R = Unit Roller Bearings SR = Spherical Roller Bearings with Split Pillow Block Housings



DWDI Class I & II

SIZE	HOUSING		SHAFT DIAMETER & BEARINGS						BARE FAN WEIGHT (LB)	
	SIDES	SCROLL	CLASS I			CLASS II			ARR 3	
			SHAFT DIAMETER		BEARING TYPE	SHAFT DIAMETER		BEARING TYPE	CLASS I	CLASS II
@ BRG.	@ WHEEL	@ BRG.	@ WHEEL							
122	14	14	1 ³ / ₁₆	1 ³ / ₁₆	B	1 ⁷ / ₁₆	1 ⁷ / ₁₆	B	145	159
135	14	14	1 ³ / ₁₆	1 ³ / ₁₆	B	1 ¹¹ / ₁₆	1 ¹¹ / ₁₆	B	165	181
150	14	14	1 ⁷ / ₁₆	1 ⁷ / ₁₆	B	1 ¹¹ / ₁₆	1 ¹¹ / ₁₆	B	201	220
165	14	14	1 ⁷ / ₁₆	1 ⁷ / ₁₆	B	1 ¹⁵ / ₁₆	1 ¹⁵ / ₁₆	B	231	254
182	12	14	1 ¹¹ / ₁₆	1 ¹¹ / ₁₆	B	1 ¹⁵ / ₁₆	1 ¹⁵ / ₁₆	B	279	302
200	12	14	1 ¹¹ / ₁₆	1 ¹¹ / ₁₆	B	2 ³ / ₁₆	2 ³ / ₁₆	B	327	350
222	12	14	1 ¹⁵ / ₁₆	1 ¹⁵ / ₁₆	B	2 ⁷ / ₁₆	2 ⁷ / ₁₆	B	422	472
245	12	14	2 ³ / ₁₆	2 ³ / ₁₆	B	2 ⁷ / ₁₆	2 ⁷ / ₁₆	B	463	527
270	12	14	2 ³ / ₁₆	2 ³ / ₁₆	B	2 ¹¹ / ₁₆	2 ¹¹ / ₁₆	R	686	756
300	10	12	2 ⁷ / ₁₆	2 ⁷ / ₁₆	B	2 ⁷ / ₁₆	2 ¹⁵ / ₁₆	R	971	1024
330	10	12	2 ⁷ / ₁₆	2 ⁷ / ₁₆	B	2 ⁷ / ₁₆	3 ⁷ / ₁₆	R	1107	1155
365	10	12	2 ¹¹ / ₁₆	2 ¹¹ / ₁₆	B	2 ¹¹ / ₁₆	3 ⁷ / ₁₆	R	1467	1556
402	10	12	2 ⁷ / ₁₆	2 ¹⁵ / ₁₆	R	2 ¹¹ / ₁₆	3 ⁷ / ₁₆	R	1844	1940
445	10	12	2 ⁷ / ₁₆	3 ⁷ / ₁₆	R	2 ¹⁵ / ₁₆	3 ¹⁵ / ₁₆	R	2227	2366
490	10	12	2 ¹¹ / ₁₆	3 ⁷ / ₁₆	R	3 ⁷ / ₁₆	3 ¹⁵ / ₁₆	R	2446	2573
542	10	12	2 ¹⁵ / ₁₆	3 ¹⁵ / ₁₆	R	3 ⁷ / ₁₆	4 ⁷ / ₁₆	R	3107	3343
600	10	12	3 ⁷ / ₁₆	4 ⁷ / ₁₆	R	3 ¹⁵ / ₁₆	4 ¹⁵ / ₁₆	R	4365	4707
660	10	12	3 ⁷ / ₁₆	4 ⁷ / ₁₆	R	3 ¹⁵ / ₁₆	4 ¹⁵ / ₁₆	R	5732	6217
730	10	10	3 ¹⁵ / ₁₆	4 ¹⁵ / ₁₆	R	3 ¹⁵ / ₁₆	5 ¹⁵ / ₁₆	R	6427	7059
807	10	10	3 ¹⁵ / ₁₆	5 ⁷ / ₁₆	R	4 ⁷ / ₁₆	6 ⁷ / ₁₆	SR	7883	8660
890	7	10	3 ¹⁵ / ₁₆	5 ¹⁵ / ₁₆	R	4 ⁷ / ₁₆	6 ¹⁵ / ₁₆	SR	9395	10446
982	7	7	4 ¹⁵ / ₁₆	6 ⁷ / ₁₆	SR	5 ⁷ / ₁₆	7 ¹ / ₂	SR	11585	12762

Bearing Types: B = Ball Bearing R = Unit Roller Bearings SR = Spherical Roller Bearings with Split Pillow Block Housings

DWDI Class III & IV

SIZE	HOUSING				SHAFT DIAMETER & BEARINGS						BARE FAN WEIGHT (LB)	
	CLASS III		CLASS IV		CLASS III			CLASS IV			ARR 3	
	SIDES	SCROLL	SIDES	SCROLL	SHAFT DIAMETER		BEARING TYPE	SHAFT DIAMETER		BEARING TYPE	CLASS III	CLASS IV
@ BRG.	@ WHEEL	@ BRG.	@ WHEEL									
122	CONSULT FACTORY		CONSULT FACTORY		CONSULT FACTORY			CONSULT FACTORY			NA	NA
135	CONSULT FACTORY		CONSULT FACTORY		CONSULT FACTORY			CONSULT FACTORY			NA	NA
150	CONSULT FACTORY		CONSULT FACTORY		CONSULT FACTORY			CONSULT FACTORY			NA	NA
165	CONSULT FACTORY		CONSULT FACTORY		CONSULT FACTORY			CONSULT FACTORY			NA	NA
182	10	10	7	7	2 ³ / ₁₆	2 ³ / ₁₆	R	NA			435	NA
200	10	10	7	7	2 ⁷ / ₁₆	2 ⁷ / ₁₆	R				590	NA
222	10	10	7	7	2 ⁷ / ₁₆	2 ⁷ / ₁₆	R				751	NA
245	7	7	7	7	2 ⁷ / ₁₆	2 ¹⁵ / ₁₆	R				812	NA
270	7	7	7	7	2 ¹¹ / ₁₆	3 ⁷ / ₁₆	R				1122	1229
300	7	7	7	7	2 ¹¹ / ₁₆	3 ⁷ / ₁₆	R	2 ¹⁵ / ₁₆	4 ⁷ / ₁₆	R	1529	1669
330	7	7	0.25	0.25	2 ¹⁵ / ₁₆	3 ⁷ / ₁₆	R	3 ⁷ / ₁₆	4 ¹⁵ / ₁₆	R	1668	1848
365	7	7	0.25	0.25	2 ¹⁵ / ₁₆	3 ¹⁵ / ₁₆	R	3 ⁷ / ₁₆	4 ¹⁵ / ₁₆	R	2075	2327
402	7	7	0.25	0.25	3 ⁷ / ₁₆	3 ¹⁵ / ₁₆	R	3 ¹⁵ / ₁₆	5 ⁷ / ₁₆	R	2619	2902
445	7	7	0.25	0.25	3 ⁷ / ₁₆	4 ⁷ / ₁₆	R	3 ¹⁵ / ₁₆	5 ⁷ / ₁₆	R	3359	3755
490	7	7	0.25	0.25	3 ¹⁵ / ₁₆	4 ¹⁵ / ₁₆	R	4 ⁷ / ₁₆	5 ⁷ / ₁₆	SR	3705	4066
542	7	7	0.25	0.25	3 ¹⁵ / ₁₆	5 ⁷ / ₁₆	R	4 ⁷ / ₁₆	5 ¹⁵ / ₁₆	SR	4629	5097
600	7	7	0.25	0.25	4 ⁷ / ₁₆	5 ⁷ / ₁₆	SR	4 ¹⁵ / ₁₆	6 ⁷ / ₁₆	SR	6479	7064
660	7	7	0.25	0.25	4 ¹⁵ / ₁₆	5 ¹⁵ / ₁₆	SR	5 ⁷ / ₁₆	6 ⁷ / ₁₆	SR	8614	9574
730	7	7	0.25	0.25	4 ¹⁵ / ₁₆	6 ¹⁵ / ₁₆	SR	5 ¹⁵ / ₁₆	7 ¹ / ₂	SR	9999	10881
807	7	7	0.25	0.25	—	—	SR	—	—	SR	12223	12300
890	7	7	0.25	0.25	—	—	SR	—	—	SR	14547	15731
982	7	7	0.25	0.25	—	—	—	—	—	—	NA	NA

Bearing Types: B = Ball Bearing R = Unit Roller Bearings SR = Spherical Roller Bearings with Split Pillow Block Housings

BAE SWSI 122

Fan Efficiency Grade = FEG85

Outlet Area - 0.86 ft² Wheel Dia. - 12.25 inches Tip Speed - 3.21 x RPM Max. BHP = 0.045 (RPM÷1000)³

CFM	OV	0.25" SP		0.50" SP		0.75" SP		1" SP		1.5" SP		2" SP		2.5" SP		3" SP		3.5" SP		4" SP		4.5" SP	
		RPM	BHP	RPM	BHP	RPM	BHP	RPM	BHP	RPM	BHP	RPM	BHP	RPM	BHP	RPM	BHP	RPM	BHP	RPM	BHP	RPM	BHP
688	800	1070	0.05	1242	0.09	1385	0.12	1510	0.16	1738	0.24	1952	0.33	2161	0.43								
774	900	1159	0.06	1321	0.10	1460	0.14	1582	0.18	1797	0.26	1994	0.36	2184	0.46	2371	0.57						
860	1000	1251	0.08	1402	0.12	1537	0.16	1656	0.20	1864	0.29	2051	0.39	2227	0.49	2398	0.61	2567	0.73	2731	0.86		
946	1100	1345	0.09	1486	0.14	1616	0.18	1732	0.23	1936	0.33	2114	0.43	2283	0.54	2442	0.65	2597	0.78	2752	0.91	2903	1.04
1032	1200	1441	0.11	1574	0.16	1696	0.21	1810	0.26	2010	0.37	2185	0.47	2344	0.58	2497	0.70	2643	0.83	2786	0.96	2928	1.10
1204	1400	1637	0.16	1756	0.22	1866	0.27	1970	0.33	2163	0.45	2331	0.57	2485	0.69	2625	0.82	2761	0.95	2892	1.09	3019	1.24
1376	1600	1837	0.22	1945	0.28	2045	0.34	2140	0.41	2320	0.54	2484	0.68	2633	0.82	2770	0.96	2899	1.10	3020	1.25	3139	1.40
1548	1800	2040	0.30	2138	0.37	2230	0.44	2318	0.50	2484	0.65	2641	0.80	2786	0.96	2920	1.12	3045	1.27	3164	1.43	3277	1.59
1720	2000	2245	0.39	2335	0.47	2421	0.55	2502	0.62	2656	0.77	2803	0.94	2943	1.11	3074	1.29	3196	1.46	3312	1.63	3423	1.81
1892	2200	2452	0.51	2535	0.59	2614	0.67	2690	0.76	2835	0.92	2972	1.09	3104	1.28	3231	1.47	3351	1.66	3465	1.86	3572	2.04
2064	2400	2660	0.64	2737	0.73	2811	0.82	2882	0.92	3018	1.09	3147	1.27	3271	1.46	3392	1.67	3509	1.88	3620	2.09	3726	2.30
2236	2600	2869	0.79	2941	0.89	3010	1.00	3077	1.09	3206	1.29	3327	1.48	3445	1.68	3559	1.89	3671	2.11	3779	2.34	3883	2.57
2408	2800	3079	0.97	3146	1.08	3211	1.19	3274	1.30	3396	1.51	3512	1.72	3623	1.93	3731	2.14	3837	2.37	3941	2.61	4042	2.85
2580	3000	3289	1.18	3352	1.30	3413	1.41	3473	1.53	3589	1.76	3699	1.98	3806	2.21	3908	2.43	4009	2.66	4108	2.91	4205	3.16
2752	3200	3501	1.42	3560	1.54	3617	1.66	3674	1.79	3784	2.03	3890	2.28	3991	2.51	4090	2.75	4185	2.99	4279	3.24	4372	3.50
2924	3400	3712	1.68	3768	1.81	3823	1.95	3876	2.08	3981	2.34	4082	2.60	4179	2.85	4274	3.10	4366	3.36	4456	3.61	4544	3.88

CFM	OV	5" SP		5.5" SP		6" SP		7" SP		8" SP		9" SP		10" SP		11" SP		12" SP		13" SP		14" SP	
		RPM	BHP	RPM	BHP	RPM	BHP	RPM	BHP	RPM	BHP	RPM	BHP	RPM	BHP	RPM	BHP	RPM	BHP	RPM	BHP	RPM	BHP
1720	2000	3528	1.98	3630	2.16	3727	2.34	3917	2.71	4102	3.11	4280	3.52	4453	3.95	4625	4.40	4795	4.86	4965	5.34	5133	5.83
1892	2200	3676	2.23	3776	2.43	3872	2.62	4055	3.02	4228	3.42	4400	3.84	4565	4.28	4726	4.74	4883	5.22	5039	5.70	5194	6.21
2064	2400	3828	2.51	3925	2.71	4019	2.92	4199	3.34	4369	3.77	4530	4.20	4688	4.65	4844	5.13	4995	5.61	5142	6.11		
2236	2600	3983	2.80	4078	3.02	4171	3.25	4347	3.70	4514	4.15	4674	4.61	4825	5.08	4971	5.55						
2408	2800	4140	3.10	4234	3.35	4325	3.59	4498	4.08	4663	4.56	4819	5.04	4969	5.54	5113	6.04						
2580	3000	4300	3.42	4392	3.69	4482	3.95	4653	4.48	4814	5.00	4968	5.51	5120	6.03								
2752	3200	4463	3.77	4553	4.05	4641	4.33	4809	4.90	4968	5.45												
2924	3400	4631	4.15	4718	4.44	4802	4.73	4967	5.33	5125	5.93												
3096	3600	4804	4.58	4886	4.86	4968	5.17	5128	5.79														
3268	3800	4981	5.05	5060	5.34	5138	5.64																
3440	4000	5160	5.56																				
3612	4200																						

MAXIMUM RPM: Class I — 3990 Class II — 5206 Selections above 4000 RPM not recommended. Consult factory.

BAE SWSI 135

Fan Efficiency Grade = FEG90

Outlet Area - 1.05 ft² Wheel Dia. - 13.50 inches Tip Speed - 3.53 x RPM Max. BHP = 0.081 (RPM÷1000)³

CFM	OV	0.25" SP		0.50" SP		0.75" SP		1" SP		1.5" SP		2" SP		2.5" SP		3" SP		3.5" SP		4" SP		4.5" SP	
		RPM	BHP	RPM	BHP	RPM	BHP	RPM	BHP	RPM	BHP	RPM	BHP	RPM	BHP	RPM	BHP	RPM	BHP	RPM	BHP	RPM	BHP
840	800	886	0.05	1050	0.09	1185	0.13	1327	0.19														
945	900	953	0.07	1110	0.11	1240	0.15	1356	0.20	1617	0.33												
1050	1000	1024	0.08	1171	0.13	1298	0.18	1410	0.23	1628	0.34												
1155	1100	1098	0.10	1234	0.15	1359	0.20	1466	0.26	1660	0.37	1872	0.52										
1260	1200	1173	0.11	1298	0.17	1420	0.23	1526	0.29	1713	0.41	1891	0.54	2091	0.71								
1470	1400	1326	0.16	1438	0.22	1545	0.29	1648	0.36	1827	0.49	1986	0.64	2134	0.78	2300	0.97	2473	1.18				
1680	1600	1482	0.22	1586	0.29	1680	0.36	1773	0.44	1948	0.59	2100	0.75	2239	0.91	2370	1.08	2505	1.26	2653	1.48	2805	1.72
1890	1800	1641	0.29	1737	0.37	1823	0.45	1906	0.53	2071	0.70	2221	0.88	2354	1.06	2479	1.24	2599	1.43	2713	1.61	2836	1.83
2100	2000	1802	0.37	1891	0.46	1972	0.55	2048	0.64	2197	0.83	2343	1.02	2475	1.22	2596	1.42	2710	1.62	2819	1.82	2924	2.03
2310	2200	1964	0.48	2047	0.57	2124	0.67	2195	0.77	2332	0.97	2467	1.18	2597	1.40	2717	1.61	2828	1.83	2933	2.05	3034	2.27
2520	2400	2127	0.60	2205	0.70	2278	0.81	2346	0.92	2473	1.13	2597	1.35	2721	1.59	2839	1.82	2949	2.06	3052	2.30	3150	2.53
2730	2600	2291	0.74	2364	0.85	2433	0.97	2498	1.08	2619	1.32	2734	1.55	2849	1.80	2962	2.05	3071	2.31	3174	2.57	3270	2.82
2940	2800	2457	0.91	2525	1.03	2590	1.15	2652	1.27	2768	1.52	2876	1.77	2982	2.03	3089	2.30	3194	2.57	3296	2.85	3392	3.13
3150	3000	2622	1.10	2687	1.23	2748	1.36	2808	1.49	2919	1.75	3022	2.02	3122	2.29	3221	2.57	3321	2.86	3419	3.16	3514	3.45
3360	3200	2789	1.31	2849	1.45	2908	1.59	2965	1.73	3072	2.01	3171	2.30	3266	2.58	3359	2.87	3452	3.17	3546	3.48	3638	3.80
3570	3400	2955	1.55	3013	1.70	3069	1.85	3123	2.00	3226	2.30	3322	2.60	3413	2.90	3501	3.21	3589	3.52	3677	3.84	3765	4.17

CFM	OV	5" SP		5.5" SP		6" SP		7" SP		8" SP		9" SP		10" SP		11" SP		12" SP		13" SP		14" SP	
		RPM	BHP	RPM	BHP	RPM	BHP	RPM	BHP	RPM	BHP	RPM	BHP	RPM	BHP	RPM	BHP	RPM	BHP	RPM	BHP	RPM	BHP
2100	2000	3027	2.24	3138	2.48	3256	2.75	3498	3.34														
2310	2200	3132	2.50	3227	2.72	3321	2.96	3525	3.50	3745	4.13	3962	4.82										
2520	2400	3244	2.77	3336	3.02	3426	3.27	3598	3.77	3781													

BAE SWSI 182

Fan Efficiency Grade = FEG90

Outlet Area - 1.92 ft² Wheel Dia. - 18.25 inches Tip Speed - 4.78 x RPM

Max. BHP = 0.44 (RPM÷1000)³

CFM	OV	0.50" SP		1" SP		1.5" SP		2" SP		3" SP		4" SP		5" SP		6" SP		7" SP		8" SP		9" SP	
		RPM	BHP	RPM	BHP	RPM	BHP	RPM	BHP	RPM	BHP	RPM	BHP	RPM	BHP	RPM	BHP	RPM	BHP	RPM	BHP	RPM	BHP
1536	800	713	0.16																				
1728	900	753	0.19	947	0.36																		
1920	1000	794	0.22	964	0.39	1151	0.62																
2304	1200	881	0.29	1036	0.49	1175	0.70	1333	0.98														
2688	1400	973	0.38	1117	0.61	1241	0.84	1360	1.09														
3072	1600	1068	0.48	1202	0.74	1321	1.01	1426	1.27	1644	1.89												
3456	1800	1168	0.61	1292	0.90	1403	1.20	1506	1.50	1690	2.11	1893	2.86										
3840	2000	1272	0.77	1385	1.08	1490	1.41	1588	1.74	1763	2.41	1929	3.12	2116	3.99	2302	4.97						
4224	2200	1377	0.95	1480	1.29	1581	1.65	1673	2.01	1843	2.75	1994	3.48	2147	4.29	2318	5.26	2490	6.33				
4608	2400	1484	1.17	1579	1.53	1673	1.92	1761	2.31	1924	3.11	2071	3.91	2208	4.72	2350	5.62	2507	6.67	2666	7.83		
4992	2600	1593	1.42	1680	1.81	1768	2.22	1852	2.64	2008	3.50	2152	4.37	2283	5.23	2408	6.11	2540	7.10	2684	8.22	2832	9.46
5376	2800	1702	1.71	1784	2.12	1865	2.55	1945	3.00	2095	3.92	2233	4.85	2363	5.80	2482	6.72	2598	7.67	2720	8.73	2852	9.92
5760	3000	1813	2.04	1889	2.48	1964	2.93	2040	3.41	2185	4.39	2318	5.38	2443	6.38	2561	7.39	2671	8.37	2780	9.40	2893	10.52
6528	3400	2035	2.83	2102	3.32	2169	3.82	2236	4.35	2369	5.44	2494	6.55	2611	7.67	2723	8.81	2831	9.96	2932	11.09	3028	12.20
7296	3800	2260	3.82	2320	4.36	2380	4.91	2439	5.48	2559	6.67	2676	7.90	2787	9.14	2893	10.40	2994	11.66	3093	12.95	3187	14.22
8064	4200	2485	5.02	2540	5.62	2594	6.22	2648	6.84	2756	8.12	2864	9.45	2970	10.83	3070	12.20	3167	13.59	3260	14.98	3350	16.38

CFM	OV	10" SP		11" SP		12" SP		13" SP		14" SP		15" SP		16" SP		17" SP		18" SP		19" SP		20" SP	
		RPM	BHP	RPM	BHP	RPM	BHP	RPM	BHP	RPM	BHP	RPM	BHP	RPM	BHP	RPM	BHP	RPM	BHP	RPM	BHP	RPM	BHP
4608	2400																						
4992	2600	2973	10.74																				
5376	2800	2989	11.21	3125	12.59																		
5760	3000	3014	11.76	3141	13.11	3269	14.55	3393	16.03														
6144	3200	3060	12.47	3171	13.75	3289	15.16	3409	16.65	3528	18.20	3643	19.79										
6528	3400	3124	13.36	3222	14.58	3324	15.90	3433	17.35	3546	18.89	3659	20.50	3770	22.16	3878	23.86						
6912	3600	3198	14.37	3289	15.60	3380	16.86	3475	18.22	3575	19.69	3680	21.27	3787	22.94	3894	24.66	3999	26.43				
7296	3800	3277	15.48	3364	16.73	3449	18.00	3536	19.33	3624	20.72	3717	22.23	3813	23.82	3913	25.51	4015	27.29				
7680	4000	3358	16.63	3443	17.95	3525	19.26	3607	20.60	3689	21.98	3772	23.42	3857	24.93	3947	26.56	4040	28.27				
8064	4200	3438	17.80	3523	19.21	3605	20.60	3684	21.99	3762	23.39	3839	24.80	3917	26.27	3997	27.81	4080	29.45				
8832	4600	3604	20.30	3686	21.85	3766	23.39	3844	24.94	3919	26.46	3992	27.98	4064	29.51								
9600	5000	3776	23.05	3854	24.70	3931	26.37	4006	28.05	4080	29.73												

MAXIMUM RPM: Class I — 2207 Class II — 2879 Class III — 3628 Class IV — 4080 Selections above 4000 RPM not recommended. Consult factory.

BAE SWSI 200

Fan Efficiency Grade = FEG90

Outlet Area - 2.30 ft² Wheel Dia. - 20.00 inches Tip Speed - 5.24 x RPM

Max. BHP = 0.695 (RPM÷1000)³

CFM	OV	0.50" SP		1" SP		1.5" SP		2" SP		3" SP		4" SP		5" SP		6" SP		7" SP		8" SP		9" SP	
		RPM	BHP	RPM	BHP	RPM	BHP	RPM	BHP	RPM	BHP	RPM	BHP	RPM	BHP	RPM	BHP	RPM	BHP	RPM	BHP	RPM	BHP
1840	800	650	0.19																				
2070	900	686	0.22	864	0.43																		
2300	1000	723	0.26	879	0.47	1050	0.75																
2760	1200	802	0.34	944	0.58	1071	0.84	1216	1.17														
3220	1400	886	0.45	1018	0.73	1131	1.01	1240	1.31														
3680	1600	973	0.58	1096	0.89	1204	1.21	1300	1.53	1500	2.27												
4140	1800	1064	0.73	1177	1.08	1279	1.43	1373	1.80	1541	2.52	1727	3.44										
4600	2000	1158	0.92	1262	1.29	1358	1.69	1447	2.09	1607	2.88	1759	3.74	1930	4.78	2100	5.96						
5060	2200	1254	1.14	1348	1.54	1440	1.97	1524	2.40	1679	3.29	1817	4.16	1958	5.14	2115	6.30	2272	7.60				
5520	2400	1352	1.40	1438	1.83	1524	2.29	1605	2.76	1753	3.72	1888	4.68	2013	5.65	2143	6.73	2287	8.00	2432	9.39		
5980	2600	1450	1.69	1530	2.16	1610	2.65	1688	3.16	1830	4.18	1961	5.23	2081	6.26	2196	7.32	2316	8.50	2448	9.86	2583	11.33
6440	2800	1550	2.04	1624	2.53	1698	3.05	1772	3.59	1909	4.69	2035	5.81	2153	6.93	2262	8.04	2369	9.19	2481	10.46	2602	11.89
6900	3000	1650	2.43	1720	2.96	1789	3.50	1858	4.07	1990	5.24	2112	6.43	2227	7.64	2334	8.84	2435	10.03	2535	11.26	2638	12.60
7820	3400	1853	3.38	1914	3.96	1975	4.56	2036	5.19	2158	6.50	2272	7.83	2379	9.17	2482	10.55	2580	11.92	2672	13.26	2760	14.60
8740	3800	2057	4.55	2112	5.20	2167	5.87	2221	6.54	2331	7.97	2438	9.45	2540	10.94	2636	12.44	2729	13.96	2818	15.48	2905	17.02
9660	4200	2262	5.99	2312	6.70	2362	7.43	2412	8.17	2510	9.70	2609	11.30	2706	12.95	2797	14.59	2885	16.25	2970	17.92	3053	19.61

CFM	OV	10" SP		11" SP		12" SP		13" SP		14" SP		15" SP		16" SP		17" SP		18" SP		19" SP		20" SP	
		RPM	BHP	RPM	BHP	RPM	BHP	RPM	BHP	RPM	BHP	RPM	BHP	RPM	BHP	RPM	BHP	RPM	BHP	RPM	BHP	RPM	BHP
5520	2400																						
5980	2600	2713	12.89																				
6440	2800	2727	13.44	2851	15.10																		
6900	3000	2749	14.09	2866	15.73	2983	17.45	3096	19.23														
7360	3200	2790	14.93	2892	16.48	3000	18.17	3110	19.96	3219	21.83	3324	23.75										
7820	3400	2848	15.99	2938	17.47	3032	19.06	3131	20.79	3234	22.63	3338	24.58	3440	26.58	3538	28.62						
8280	3600	2915	17.20	2998	18.67	3082	20.20	3169	21.84	3261	23.61	3357	25.51	3455	27.50	3552	29.56	3648	31.68				
8740	3800	2987	18.53	3066	20.02	3144	21.55	3223	23.14	3305	24.84	3389	26.62	3478	28.55	3570	30.59	3663	32.72				
9200	4000	3060	19.90	3138	21.48	3213	23.05	3288	24.66	3363	26.32	3439	28.04	3517	29.86	3599	31.80	3685	33.88				
9660	4200	3133	21.29	3211	22.99	3286	24.66	3358	26.32	3429	27.99	3500	29.70	3571	31.46	3645	33.33	3721	35.30				
10580	4600	3284	24.29	3359	26.14	3432	27.99	3503	29.84	3572	31.67	3639	33.50	3704	35.31								
11500	5000	3440	27.56	3512	29.56	3582	31.55	3651	33.57														

MAXIMUM RPM: Class I — 2014 Class II — 2627 Class III — 3310 Class IV — 3723

Performance certified is for installation Type B & D: Free or ducted inlet, ducted outlet.
Power rating (BHP) does not include transmission losses.
Performance ratings do not include the effects of appurtenances (accessories).

BAE SWSI 222

Outlet Area - 2.85 ft² Wheel Dia. - 22.25 inches Tip Speed - 5.84 x RPM

Fan Efficiency Grade = FEG90

Max. BHP = 1.19 (RPM÷1000)³

CFM	OV	0.50" SP		1" SP		1.5" SP		2" SP		3" SP		4" SP		5" SP		6" SP		7" SP		8" SP		9" SP	
		RPM	BHP	RPM	BHP	RPM	BHP	RPM	BHP	RPM	BHP	RPM	BHP	RPM	BHP	RPM	BHP	RPM	BHP	RPM	BHP	RPM	BHP
2280	800	582	0.23	750	0.46																		
2565	900	615	0.28	<u>763</u>	<u>0.51</u>																		
2850	1000	649	0.32	<u>784</u>	<u>0.57</u>	920	0.86																
3420	1200	721	0.43	846	0.72	<u>955</u>	<u>1.02</u>	1068	1.37														
3990	1400	799	0.57	913	0.90	1013	1.24	1106	1.59	1300	2.42												
4560	1600	880	0.75	984	1.12	1079	1.50	1165	1.88	<u>1329</u>	<u>2.71</u>	1500	3.70										
5130	1800	964	0.96	1060	1.37	1148	1.79	1230	2.22	1377	3.09	<u>1525</u>	<u>4.07</u>	1678	5.19								
5700	2000	1051	1.22	1138	1.66	1220	2.12	1298	2.59	1439	3.55	<u>1569</u>	<u>4.54</u>	<u>1703</u>	<u>5.65</u>	1841	6.90						
6270	2200	1139	1.52	1219	2.00	1296	2.50	1369	3.01	1505	4.07	1627	5.12	1745	6.23	1867	7.46	1992	8.80				
6840	2400	1229	1.89	1302	2.39	1374	2.93	1443	3.49	1572	4.62	1692	5.78	1801	6.93	1909	8.16	2021	9.49	2135	10.93	2250	12.47
7410	2600	1319	2.31	1387	2.84	1454	3.41	1519	4.01	1643	5.23	1758	6.48	1864	7.72	1964	8.98	2064	10.31	<u>2167</u>	<u>11.75</u>	<u>2272</u>	<u>13.28</u>
7980	2800	1410	2.79	1474	3.36	1536	3.96	1598	4.60	1715	5.90	1826	7.23	1930	8.58	2026	9.91	2119	11.28	<u>2211</u>	<u>12.70</u>	<u>2307</u>	<u>14.24</u>
8550	3000	1502	3.35	1562	3.95	1620	4.58	1678	5.24	1790	6.63	1896	8.04	1996	9.47	2092	10.93	2181	12.36	2267	13.81	2353	15.33
9690	3400	1687	4.68	1740	5.36	1792	6.05	1844	6.78	1945	8.30	2043	9.89	2136	11.48	2226	13.10	2312	14.74	2394	16.37	2472	17.99
10830	3800	1873	6.35	1921	7.10	1968	7.86	2015	8.65	2107	10.31	2197	12.05	2283	13.80	2367	15.59	2448	17.38	2527	19.21	2603	21.04
11970	4200	2061	8.40	2104	9.21	2147	10.05	2190	10.91	2274	12.69	2356	14.55	2437	16.48	2516	18.44	2592	20.40	2666	22.38	2738	24.37

CFM	OV	10" SP		11" SP		12" SP		13" SP		14" SP		15" SP		16" SP		17" SP		18" SP		19" SP		20" SP	
		RPM	BHP	RPM	BHP	RPM	BHP	RPM	BHP	RPM	BHP	RPM	BHP	RPM	BHP	RPM	BHP	RPM	BHP	RPM	BHP	RPM	BHP
6840	2400																						
7410	2600	2378	14.91																				
7980	2800	<u>2404</u>	<u>15.85</u>	2502	17.56	2600	19.34																
8550	3000	<u>2442</u>	<u>16.96</u>	<u>2532</u>	<u>18.65</u>	<u>2623</u>	<u>20.43</u>	2715	22.30	2807	24.24												
9120	3200	2491	18.22	2573	19.91	2657	21.69	2742	23.54	2828	25.48	2914	27.49	3000	29.57								
9690	3400	2548	19.64	2624	21.34	2701	23.11	2780	24.98	2860	26.92	2940	28.91	3020	30.96	3101	33.10	3182	35.31				
10260	3600	2611	21.21	2683	22.94	2755	24.74	2827	26.58	2901	28.52	2975	30.50	3051	32.58	3127	34.72	3203	36.91	3279	39.16		
10830	3800	2676	22.87	2747	24.70	2815	26.52	2883	28.39	2951	30.31	3020	32.30	3090	34.36	3161	36.50	3233	38.71	3305	40.97		
11400	4000	2742	24.59	2812	26.53	2879	28.45	2944	30.36	3008	32.29	3073	34.30	3138	36.36	3204	38.49	3271	40.69	3339	42.96		
11970	4200	2809	26.40	2878	28.44	2944	30.45	3008	32.46	3071	34.49	3132	36.50	3193	38.55	3255	40.69	3317	42.87				
13110	4600	2947	30.29	3012	32.47	3077	34.70	3140	36.93	3201	39.14	3260	41.33	3318	43.54								
14250	5000	3090	34.59	3153	36.96	3214	39.32	3275	41.74	3334	44.13												

MAXIMUM RPM: Class I — 1814 Class II — 2367 Class III — 2982 Class IV — 3347

BAE SWSI 245

Outlet Area - 3.45 ft² Wheel Dia. - 24.50 inches Tip Speed - 6.41 x RPM

Fan Efficiency Grade = FEG90

Max. BHP = 1.93 (RPM÷1000)³

CFM	OV	0.50" SP		1" SP		1.5" SP		2" SP		3" SP		4" SP		5" SP		6" SP		7" SP		8" SP		9" SP	
		RPM	BHP	RPM	BHP	RPM	BHP	RPM	BHP	RPM	BHP	RPM	BHP	RPM	BHP	RPM	BHP	RPM	BHP	RPM	BHP	RPM	BHP
2760	800	528	0.28	681	0.56																		
3105	900	558	0.34	692	0.62																		
3450	1000	589	0.39	<u>712</u>	<u>0.69</u>	836	1.04																
4140	1200	655	0.53	768	0.87	<u>866</u>	<u>1.23</u>	969	1.65														
4830	1400	725	0.70	828	1.09	919	1.50	1004	1.92	1181	2.93												
5520	1600	798	0.90	893	1.35	979	1.81	1057	2.28	1206	3.28	1362	4.48										
6210	1800	875	1.16	961	1.65	1041	2.16	1116	2.68	1250	3.74	1385	4.93	1524	6.29								
6900	2000	953	1.47	1032	2.00	1107	2.56	1178	3.14	1306	4.30	1424	5.50	1546	6.84	1671	8.34						
7590	2200	1033	1.84	1106	2.41	1176	3.02	1242	3.64	1366	4.92	1477	6.20	1584	7.55	1695	9.03	1809	10.67				
8280	2400	1114	2.28	1181	2.88	1246	3.54	1309	4.21	1427	5.59	1535	6.99	1634	8.38	1733	9.87	1835	11.50	1939	13.25	2043	15.10
8970	2600	1196	2.78	1258	3.43	1319	4.12	1378	4.85	1490	6.32	1595	7.83	1692	9.35	1782	10.86	1873	12.47	1968	14.24	2063	16.08
9660	2800	1279	3.37	1337	4.06	1394	4.79	1450	5.56	1556	7.13	1657	8.75	1751	10.37	1839	12.00	1923	13.64	2007	15.37	2094	17.23
10350	3000	1362	4.04	1416	4.77	1470	5.54	1522	6.34	1624	8.02	1720	9.72	1812	11.47	1898	13.21	1979	14.95	2058	16.73	2136	18.56
11730	3400	1530	5.66	1578	6.47	1626	7.32	1673	8.20	1765	10.05	1853	11.95	1938	13.88	2020	15.85	2098	17.83	2173	19.82	2244	21.79
13110	3800	1699	7.67	1742	8.57	1785	9.50	1828	10.46	1911	12.45	1993	14.56	2072	16.70	2148	18.86	2222	21.05	2293	23.24	2362	25.45
14490	4200	1869	10.14	1908	11.12	1947	12.13	1986	13.18	2062	15.32	2137	17.58	2211	19.93	2282	22.28	2351	24.65	2419	27.07	2485	29.50

CFM	OV	10" SP		11" SP		12" SP		13" SP		14" SP		15" SP		16" SP		17" SP		18" SP		19" SP		20" SP	
		RPM	BHP	RPM	BHP	RPM	BHP	RPM	BHP	RPM	BHP	RPM	BHP	RPM	BHP	RPM	BHP	RPM	BHP	RPM	BHP	RPM	BHP
8280	2400																						
8970	2600	2159	18.05																				
9660	2800	<u>2183</u>	<u>19.20</u>	2272	21.27	2361	23.42																
10350	3000	<u>2217</u>	<u>20.53</u>	<u>2299</u>	<u>22.59</u>	<u>2382</u>	<u>24.75</u>	2465	26.99	2549	29.36												
11040	3200	2261	22.05	2336	24.11	2412	26.25	2490	28.52	2568	30.87	2646	33.29	2724	35.80								
11730	3400	2313	23.78	2382	25.83	2452	27.98	2524	30.25	2596	32.57	2669	34.99	2742	37.48	2816	40.09	2890	42.79				
12420	3600	2370	25.67	2435	27.76	2500	29.91	2566	32.16	2633	34.50	2701	36.93	2770	39.45	2839	42.03	2908	44.68	2978	47.45		
13110	3800	2429	27.68	2493	29.89	2555	32.10	2616	34.33	2678	36.66	2741	39.08	2805	41.59	2870	44.20	2935	46.86	3000	49.57		
13800	4000	2489	29.78	2552	32.10	2612	34.39	2672	36.74	2730	39.07	2789	41.50	2848	43.99	2908	46.56	2969	49.23	3031	52.00		
14490	4200	2549	31.94	2612	34.41	2672	36.85	2730	39.27	2787	41.72	2843	44.18	2898	46.65	2954	49.22	3011	51.89				
15870	4600	2674	36.64	2733	39.27	2792	41.97</																

BAE SWSI 270

Fan Efficiency Grade = FEG90

Outlet Area - 4.19 ft² Wheel Dia. - 27.00 inches Tip Speed - 7.07 x RPM

Max. BHP = 3.07 (RPM÷1000)³

CFM	OV	0.50" SP		1" SP		1.5" SP		2" SP		3" SP		4" SP		5" SP		6" SP		7" SP		8" SP		9" SP	
		RPM	BHP	RPM	BHP	RPM	BHP	RPM	BHP	RPM	BHP	RPM	BHP	RPM	BHP	RPM	BHP	RPM	BHP	RPM	BHP	RPM	BHP
3352	800	479	0.34	618	0.67																		
3771	900	503	0.39	632	0.74																		
4190	1000	529	0.45	649	0.82																		
5028	1200	588	0.60	693	1.02	749	1.14																
						790	1.48	882	1.98	1055	3.08												
5866	1400	649	0.78	744	1.26	832	1.76	915	2.30	1072	3.50	1219	4.79										
6704	1600	714	1.00	802	1.54	881	2.10	957	2.68	1101	3.95	1236	5.35	1365	6.81								
7542	1800	781	1.26	862	1.87	936	2.49	1005	3.12	1138	4.46	1263	5.92	1383	7.51	1499	9.15	1611	10.86				
8380	2000	851	1.59	925	2.24	994	2.92	1058	3.61	1181	5.05	1298	6.58	1410	8.23	1518	9.98	1623	11.79	1726	13.67		
9218	2200	921	1.97	989	2.67	1055	3.42	1115	4.16	1230	5.72	1339	7.32	1445	9.05	1546	10.86	1645	12.78	1741	14.76	1835	16.77
10056	2400	993	2.42	1056	3.17	1117	3.97	1175	4.79	1283	6.45	1386	8.18	1485	9.96	1581	11.84	1674	13.82	1765	15.90	1853	18.01
10894	2600	1065	2.94	1124	3.74	1181	4.59	1236	5.47	1339	7.26	1435	9.07	1529	10.96	1620	12.90	1709	14.96	1795	17.09	1880	19.34
11732	2800	1139	3.55	1193	4.39	1247	5.29	1299	6.23	1397	8.13	1489	10.07	1578	12.08	1664	14.11	1748	16.20	1831	18.42	1911	20.70
12570	3000	1212	4.23	1263	5.12	1314	6.07	1363	7.06	1458	9.11	1545	11.15	1629	13.25	1712	15.42	1792	17.61	1871	19.88	1948	22.22
14246	3400	1361	5.88	1406	6.87	1451	7.91	1495	8.99	1582	11.28	1664	13.60	1741	15.92	1815	18.26	1889	20.71	1961	23.16	2032	25.67
15922	3800	1511	7.94	1552	9.05	1592	10.18	1632	11.35	1710	13.81	1787	16.40	1860	18.99	1929	21.58	1996	24.19	2062	26.86	2128	29.62
17598	4200	1661	10.44	1699	11.67	1735	12.89	1772	14.18	1843	16.80	1914	19.60	1982	22.44	2048	25.31	2112	28.20	2173	31.07	2233	33.98

CFM	OV	10" SP		11" SP		12" SP		13" SP		14" SP		15" SP		16" SP		17" SP		18" SP		19" SP		20" SP	
		RPM	BHP	RPM	BHP	RPM	BHP	RPM	BHP	RPM	BHP	RPM	BHP	RPM	BHP	RPM	BHP	RPM	BHP	RPM	BHP	RPM	BHP
10056	2400	1941	20.21	2027	22.44	2111	24.71																
10894	2600	1962	21.60	2043	23.93	2124	26.33	2203	28.75	2280	31.19	2356	33.71										
11732	2800	1990	23.07	2067	25.49	2144	28.01	2219	30.54	2293	33.08	2367	35.71	2439	38.34	2510	41.04						
12570	3000	2023	24.64	2097	27.15	2170	29.73	2242	32.37	2312	35.02	2383	37.78	2452	40.50	2521	43.30	2588	46.08	2655	48.96	2721	51.91
13408	3200	2060	26.34	2131	28.90	2201	31.55	2270	34.27	2338	37.04	2405	39.86	2471	42.71	2537	45.62	2602	48.54	2667	51.52	2731	54.52
14246	3400	2101	28.20	2169	30.81	2237	33.54	2303	36.31	2368	39.14	2433	42.07	2497	45.04	2560	48.04	2622	51.06	2684	54.15	2745	57.22
15084	3600	2145	30.21	2211	32.91	2276	35.67	2340	38.51	2403	41.42	2465	44.38	2526	47.39	2587	50.49	2647	53.62	2707	56.83		
15922	3800	2192	32.35	2255	35.12	2318	37.97	2379	40.83	2440	43.79	2501	46.87	2560	49.95	2619	53.13	2677	56.34	2734	59.57		
16760	4000	2241	34.59	2302	37.48	2363	40.43	2422	43.37	2481	46.40	2539	49.48	2597	52.66	2654	55.89	2710	59.16				
17598	4200	2293	36.97	2352	39.99	2410	43.01	2468	46.10	2525	49.21	2581	52.34	2636	55.51	2692	58.84	2746	62.14				
19274	4600	2402	42.09	2457	45.31	2511	48.55	2565	51.86	2619	55.22	2672	58.57	2724	61.92								
20950	5000	2518	47.82	2570	51.27	2621	54.74	2671	58.21	2721	61.75												

MAXIMUM RPM: Class I — 1474 Class II — 1923 Class III — 2423 Class IV — 2756

BAE SWSI 300

Fan Efficiency Grade = FEG90

Outlet Area - 5.17 ft² Wheel Dia. - 30.00 inches Tip Speed - 7.85 x RPM

Max. BHP = 5.21 (RPM÷1000)³

CFM	OV	0.50" SP		1" SP		1.5" SP		2" SP		3" SP		4" SP		5" SP		6" SP		7" SP		8" SP		9" SP	
		RPM	BHP	RPM	BHP	RPM	BHP	RPM	BHP	RPM	BHP	RPM	BHP	RPM	BHP	RPM	BHP	RPM	BHP	RPM	BHP	RPM	BHP
4136	800	431	0.41	556	0.82																		
4653	900	452	0.48	568	0.91	674	1.41																
5170	1000	476	0.56	584	1.01	683	1.54	777	2.11														
6204	1200	529	0.74	623	1.26	711	1.82	794	2.45	950	3.81												
7238	1400	584	0.96	670	1.55	749	2.18	824	2.84	965	4.32	1097	5.91										
8272	1600	643	1.23	721	1.90	793	2.59	861	3.31	990	4.86	1112	6.59	1229	8.41								
9306	1800	703	1.56	776	2.31	842	3.07	904	3.84	1024	5.50	1137	7.32	1244	9.25	1349	11.29	1450	13.41				
10340	2000	765	1.96	832	2.76	894	3.60	952	4.45	1063	6.23	1168	8.11	1269	10.16	1366	12.31	1461	14.56	1553	16.86		
11374	2200	829	2.43	890	3.29	949	4.22	1004	5.15	1107	7.06	1205	9.04	1300	11.15	1392	13.42	1480	15.76	1567	18.22	1652	20.72
12408	2400	893	2.98	950	3.91	1005	4.90	1057	5.91	1154	7.95	1247	10.09	1336	12.28	1423	14.62	1506	17.04	1588	19.60	1668	22.24
13442	2600	958	3.63	1011	4.61	1062	5.65	1112	6.75	1205	8.96	1292	11.22	1376	13.53	1458	15.93	1538	18.46	1616	21.12	1691	23.83
14476	2800	1024	4.37	1073	5.41	1121	6.51	1169	7.69	1257	10.03	1340	12.44	1420	14.91	1497	17.40	1573	20.00	1647	22.71	1720	25.56
15510	3000	1090	5.21	1137	6.33	1182	7.49	1226	8.70	1311	11.22	1390	13.75	1466	16.35	1540	19.01	1612	21.70	1683	24.50	1753	27.43
17578	3400	1224	7.25	1265	8.48	1305	9.75	1345	11.09	1423	13.90	1497	16.77	1566	19.62	1633	22.53	1699	25.52	1764	28.55	1828	31.65
19646	3800	1359	9.79	1396	11.15	1432	12.55	1468	14.00	1539	17.05	1607	20.20	1673	23.41	1736	26.63	1796	29.85	1856	33.18	1914	36.50
21714	4200	1495	12.90	1528	14.38	1561	15.90	1594	17.48	1658	20.72	1722	24.18	1783	27.67	1843	31.24	1900	34.77	1955	38.32	2009	41.91

CFM	OV	10" SP		11" SP		12" SP		13" SP		14" SP		15" SP		16" SP		17" SP		18" SP		19" SP		20" SP	
		RPM	BHP	RPM	BHP	RPM	BHP	RPM	BHP	RPM	BHP	RPM	BHP	RPM	BHP	RPM	BHP	RPM	BHP	RPM	BHP	RPM	BHP
12408	2400	1747	24.95	1824	27.68	1900	30.50																
13442	2600	1766	26.68	1839	29.56	1911	32.47	1982	35.44	2052	38.49	2121	41.64										
14476	2800	1791	28.48	1860	31.45	1929	34.54	1997	37.68	2064	40.85	2130	44.05	2195	47.32	2259	50.66						
15510	3000	1821	30.44	1887	33.50	1953	36.70	2017	39.91	2081	43.23	2144	46.58	2207	50.00	2269	53.44	2330	56.93	2390	60.47	2449	64.07
16544	3200	1854	32.51	1918	35.68	1981	38.95	2043	42.30	2104	45.71	2164	49.17	2224	52.73	2283	56.29	2342	59.92	2400	63.56	2458	67.30
17578	3400	1891	34.82	1952	38.03	2013	41.39	2072	44.78	2131	48.30	2189	51.88	2247	55.57	2303	59.22	2360	63.04	2415	66.78	2471	70.66
18612	3600	1930	37.26	1989	40.57	2048	44.01	2105	47.47	2162	51.08	2218	54.75	2273	58.47	2328	62.30	2382	66.16	2436	70.12		
19646	3800	197																					

BAE SWSI 330

Fan Efficiency Grade = FEG90

Outlet Area - 6.26 ft² Wheel Dia. - 33.00 inches Tip Speed - 8.64 x RPM

Max. BHP = 8.38 (RPM÷1000)³

CFM	OV	0.50" SP		1" SP		1.5" SP		2" SP		3" SP		4" SP		5" SP		6" SP		7" SP		8" SP		9" SP	
		RPM	BHP	RPM	BHP	RPM	BHP	RPM	BHP	RPM	BHP	RPM	BHP	RPM	BHP	RPM	BHP	RPM	BHP	RPM	BHP	RPM	BHP
5008	800	392	0.50	506	1.00																		
5634	900	411	0.58	517	1.11	613	1.71																
6260	1000	433	0.67	531	1.23	621	1.86	706	2.55														
7512	1200	481	0.90	567	1.53	647	2.21	722	2.97	864	4.62												
8764	1400	531	1.16	609	1.88	681	2.64	749	3.44	877	5.23	998	7.17										
10016	1600	584	1.49	656	2.30	721	3.14	783	4.01	901	5.90	1011	7.98	1117	10.18								
11268	1800	639	1.89	706	2.80	766	3.72	822	4.66	931	6.66	1034	8.87	1131	11.20	1226	13.66	1318	16.23	1412	20.41		
12520	2000	696	2.37	757	3.35	813	4.36	866	5.40	967	7.56	1062	9.82	1154	12.31	1242	14.91	1328	17.62				
13772	2200	754	2.95	810	4.00	863	5.11	913	6.24	1006	8.53	1096	10.95	1182	13.50	1265	16.23	1346	19.10	1424	22.03	1502	25.09
15024	2400	813	3.63	864	4.74	914	5.93	962	7.17	1049	9.62	1134	12.22	1215	14.87	1293	17.66	1370	20.66	1444	23.74	1517	26.96
16276	2600	872	4.40	920	5.59	966	6.85	1012	8.19	1095	10.82	1175	13.59	1251	16.37	1326	19.30	1398	22.34	1469	25.56	1538	28.88
17528	2800	932	5.30	976	6.55	1020	7.90	1063	9.31	1143	12.15	1218	15.04	1291	18.04	1362	21.10	1431	24.25	1498	27.52	1564	30.95
18780	3000	992	6.32	1034	7.67	1075	9.07	1115	10.54	1193	13.61	1264	16.65	1333	19.80	1401	23.05	1466	26.29	1531	29.71	1594	33.21
21284	3400	1114	8.80	1151	10.28	1187	11.82	1223	13.42	1294	16.83	1361	20.29	1424	23.75	1485	27.28	1545	30.90	1604	34.57	1662	38.31
23788	3800	1236	11.86	1270	13.52	1303	15.22	1335	16.95	1399	20.62	1462	24.49	1522	28.38	1578	32.21	1633	36.13	1687	40.12	1741	44.23
26292	4200	1360	15.63	1390	17.43	1420	19.28	1450	21.19	1508	25.11	1566	29.28	1622	33.54	1676	37.83	1728	42.12	1778	46.41	1827	50.76

CFM	OV	10" SP		11" SP		12" SP		13" SP		14" SP		15" SP		16" SP		17" SP		18" SP		19" SP		20" SP	
		RPM	BHP	RPM	BHP	RPM	BHP	RPM	BHP	RPM	BHP	RPM	BHP	RPM	BHP	RPM	BHP	RPM	BHP	RPM	BHP	RPM	BHP
15024	2400	1588	30.19	1658	33.49	1727	36.90	1738	39.35	1802	42.91	1866	46.63	1928	50.39								
16276	2600	1605	32.26	1672	35.78	1738	39.35	1802	42.91	1866	46.63	1928	50.39	1995	57.24	2054	61.35						
17528	2800	1628	34.46	1692	38.14	1754	41.83	1815	45.58	1876	49.42	1936	53.29	1995	57.24	2054	61.35						
18780	3000	1655	36.80	1716	40.58	1775	44.38	1834	48.33	1892	52.34	1949	56.37	2006	60.49	2062	64.62	2118	68.90	2172	73.12	2226	77.52
20032	3200	1686	39.38	1744	43.21	1801	47.15	1857	51.17	1913	55.35	1968	59.57	2022	63.83	2076	68.19	2129	72.52	2182	76.96	2234	81.40
21284	3400	1719	42.13	1775	46.05	1830	50.09	1884	54.22	1938	58.52	1991	62.88	2043	67.28	2094	71.71	2145	76.26	2196	80.89	2246	85.49
22536	3600	1755	45.13	1809	49.16	1862	53.28	1914	57.48	1966	61.87	2017	66.32	2067	70.83	2117	75.47	2166	80.14	2215	84.92		
23788	3800	1794	48.37	1845	52.46	1896	56.67	1947	61.04	1997	65.48	2046	70.00	2095	74.67	2143	79.39	2190	84.13	2237	89.01		
25040	4000	1834	51.71	1884	56.03	1933	60.37	1982	64.83	2030	69.33	2078	73.98	2125	78.69	2171	83.45	2217	88.35				
26292	4200	1876	55.22	1924	59.70	1972	64.27	2019	68.83	2066	73.52	2112	78.22	2157	82.95	2202	87.83	2247	92.87				
28796	4600	1966	62.94	2011	67.76	2055	72.58	2099	77.50	2143	82.50	2186	87.47	2229	92.53								
31300	5000	2060	71.42	2103	76.62	2144	81.71	2186	87.03	2226	92.21												

MAXIMUM RPM: Class I — 1206 Class II — 1573 Class III — 1982 Class IV — 2255

BAE SWSI 365

Fan Efficiency Grade = FEG90

Outlet Area - 7.66 ft² Wheel Dia. - 36.50 inches Tip Speed - 9.56 x RPM

Max. BHP = 14.05 (RPM÷1000)³

CFM	OV	0.50" SP		1" SP		1.5" SP		2" SP		3" SP		4" SP		5" SP		6" SP		7" SP		8" SP		9" SP	
		RPM	BHP	RPM	BHP	RPM	BHP	RPM	BHP	RPM	BHP	RPM	BHP	RPM	BHP	RPM	BHP	RPM	BHP	RPM	BHP	RPM	BHP
6128	800	348	0.59	449	1.22																		
6894	900	368	0.70	457	1.32																		
7660	1000	387	0.80	470	1.45	551	2.27																
9192	1200	430	1.07	506	1.82	572	2.62	640	3.60														
10724	1400	476	1.40	545	2.24	606	3.13	663	4.08	778	6.38												
12256	1600	524	1.80	587	2.75	645	3.74	697	4.76	797	7.04	898	9.78										
13788	1800	574	2.29	632	3.35	685	4.42	735	5.55	825	7.88	914	10.58	1004	13.69								
15320	2000	626	2.89	678	4.03	728	5.22	775	6.44	861	8.96	940	11.63	1021	14.74	1102	18.19	1182	21.75				
16852	2200	678	3.59	726	4.83	773	6.13	817	7.44	900	10.19	974	12.98	1046	16.01	1120	19.47	1193	23.19	1266	27.10		
18384	2400	731	4.41	775	5.74	819	7.14	861	8.57	939	11.48	1012	14.53	1078	17.60	1144	20.93	1212	24.70	1279	28.71	1347	33.00
19916	2600	785	5.37	826	6.80	866	8.27	906	9.81	980	12.92	1050	16.15	1115	19.46	1176	22.84	1237	26.47	1299	30.46	1362	34.82
21448	2800	839	6.46	877	7.98	915	9.57	952	11.18	1023	14.51	1090	17.93	1153	21.44	1212	25.00	1269	28.69	1325	32.55	1383	36.82
22980	3000	894	7.72	930	9.35	965	11.02	1000	12.74	1068	16.29	1132	19.91	1193	23.62	1251	27.42	1305	31.22	1358	35.17	1410	39.26
26044	3400	1004	10.72	1036	12.55	1067	14.41	1098	16.31	1159	20.22	1218	24.25	1275	28.39	1329	32.53	1382	36.85	1432	41.17	1479	45.44
29108	3800	1116	14.51	1144	16.51	1172	18.56	1199	20.62	1255	24.96	1309	29.36	1362	33.91	1413	38.52	1462	43.14	1510	47.88	1556	52.65
32172	4200	1227	19.06	1253	21.29	1278	23.52	1303	25.79	1353	30.45	1403	35.27	1453	40.27	1500	45.22	1546	50.25	1591	55.35	1635	60.52

CFM	OV	10" SP		11" SP		12" SP		13" SP		14" SP		15" SP		16" SP		17" SP		18" SP		19" SP		20" SP	
		RPM	BHP	RPM	BHP	RPM	BHP	RPM	BHP	RPM	BHP	RPM	BHP	RPM	BHP	RPM	BHP	RPM	BHP	RPM	BHP	RPM	BHP
18384	2400	1413	37.24																				
19916	2600	1424	39.32	1486	43.98	1548	48.66																
21448	2800	1441	41.38	1499	46.17	1557	51.14	1614	56.12	1671	61.10												
22980	3000	1464	43.74	1518	48.52	1572	53.53	1626	58.73	1680	64.07	1733	69.40	1787	74.83								
24512	3200	1492	46.55	1542	51.19	1593	56.21	1644	61.47	1695	66.94	1745	72.46	1795	78.10	1845	83.81	1896	89.66				
26044	3400	1526	49.91	1572	54.48	1619	59.34	1667	64.54	1714	69.88	1762	75.55	1810	81.41	1858	87.42	1905	93.41	1952	99.47	1999	105.54
27576	3600	1562	53.53	1606	58.19	1650	63.04	1694	68.07	1739	73.41	1784	79.00	1829	84.81	1874	90.81	1919	96.98	1964	103.29	2009	109.72
29108	3800	1600	57.43	1643	62.28	1685	67.21	1726	72.19	1768	77.47	1810	82.92	1852	88.57	1895	94.59	1938	100.82	1981	107.24	2023	113.65
30640	4000	1639	61.54																				

BAE SWSI 402

Fan Efficiency Grade = FEG90

Outlet Area - 9.31 ft² Wheel Dia. - 40.25 inches Tip Speed - 10.54 x RPM

Max. BHP = 22.91 (RPM ÷ 1000)³

CFM	OV	0.50" SP		1" SP		1.5" SP		2" SP		3" SP		4" SP		5" SP		6" SP		7" SP		8" SP		9" SP	
		RPM	BHP	RPM	BHP	RPM	BHP	RPM	BHP	RPM	BHP	RPM	BHP	RPM	BHP	RPM	BHP	RPM	BHP	RPM	BHP	RPM	BHP
7448	800	316	0.72	407	1.48																		
8379	900	333	0.84	415	1.62																		
9310	1000	351	0.98	426	1.77	500	2.77																
11172	1200	390	1.30	459	2.21	519	3.19	580	4.37														
13034	1400	432	1.70	494	2.72	550	3.81	601	4.95	706	7.77												
14896	1600	475	2.19	532	3.33	584	4.53	632	5.78	722	8.53	814	11.87										
16758	1800	520	2.78	573	4.07	621	5.38	667	6.76	748	9.58	829	12.88	911	16.68								
18620	2000	567	3.51	615	4.90	660	6.34	703	7.84	781	10.91	852	14.12	926	17.93	999	22.09	1072	26.45				
20482	2200	615	4.37	658	5.86	700	7.42	741	9.05	816	12.38	883	15.77	948	19.43	1015	23.63	1082	28.21	1148	32.95		
22344	2400	663	5.37	703	6.99	742	8.66	780	10.39	851	13.93	917	17.63	978	21.43	1037	25.42	1099	30.03	1160	34.93	1221	40.07
24206	2600	712	6.53	749	8.27	785	10.05	821	11.91	889	15.72	952	19.62	1011	23.66	1066	27.74	1122	32.21	1178	37.04	1235	42.32
26068	2800	761	7.86	795	9.70	829	11.61	863	13.59	928	17.67	988	21.78	1046	26.10	1099	30.40	1150	34.82	1202	39.63	1254	44.75
27930	3000	810	9.36	843	11.36	874	13.35	906	15.45	968	19.77	1026	24.17	1081	28.65	1134	33.31	1183	37.92	1231	42.71	1279	47.78
31654	3400	910	13.02	939	15.24	967	17.49	995	19.80	1051	24.59	1104	29.45	1156	34.50	1205	39.55	1253	44.79	1298	50.00	1347	55.23
35378	3800	1011	17.59	1037	20.05	1062	22.52	1087	25.05	1137	30.27	1187	35.71	1235	41.23	1281	46.80	1325	52.37	1369	58.18	1411	64.02
39102	4200	1112	23.14	1136	25.88	1159	28.61	1181	31.31	1227	37.04	1272	42.87	1317	48.90	1360	54.96	1402	61.12	1443	67.34	1483	73.65

CFM	OV	10" SP		11" SP		12" SP		13" SP		14" SP		15" SP		16" SP		17" SP		18" SP		19" SP		20" SP	
		RPM	BHP	RPM	BHP	RPM	BHP	RPM	BHP	RPM	BHP	RPM	BHP	RPM	BHP	RPM	BHP	RPM	BHP	RPM	BHP	RPM	BHP
22344	2400	1282	45.34																				
24206	2600	1291	47.77	1347	53.40	1403	59.06																
26068	2800	1307	50.34	1359	56.10	1412	62.19	1463	68.15	1516	74.38												
27930	3000	1327	53.12	1376	58.92	1426	65.15	1475	71.48	1523	77.83	1572	84.44	1620	90.88								
29792	3200	1353	56.60	1399	62.34	1444	68.26	1491	74.77	1537	81.38	1583	88.19	1628	94.99	1673	101.88	1719	108.93				
31654	3400	1383	60.59	1425	66.17	1468	72.14	1511	78.38	1554	84.92	1598	91.89	1641	98.92	1684	106.12	1727	113.46	1770	120.91	1813	128.35
33516	3600	1416	65.03	1456	70.71	1496	76.61	1536	82.74	1577	89.27	1617	95.92	1658	103.01	1699	110.34	1740	117.88	1781	125.59	1822	133.44
35378	3800	1451	69.85	1490	75.75	1528	81.73	1565	87.75	1603	94.15	1641	100.76	1680	107.80	1718	114.93	1757	122.50	1796	130.30	1835	138.30
37240	4000	1486	74.79	1524	80.91	1561	87.09	1597	93.31	1633	99.73	1669	106.36	1705	113.18	1741	120.20	1778	127.70	1815	135.45		
39102	4200	1521	79.88	1559	86.36	1596	92.91	1631	99.32	1666	105.93	1700	112.54	1734	119.35	1768	126.34	1802	133.52	1837	141.12		
42826	4600	1595	91.20	1631	98.07	1667	105.17	1701	112.11	1735	119.27	1768	126.42	1800	133.54	1831	140.63						
46550	5000	1672	103.74	1706	111.04	1740	118.52	1773	125.99	1806	133.65	1838	141.31										

MAXIMUM RPM: Class I — 979 Class II — 1278 Class III — 1610 Class IV — 1850

BAE SWSI 445

Fan Efficiency Grade = FEG90

Outlet Area - 11.39 ft² Wheel Dia. - 44.50 inches Tip Speed - 11.65 x RPM

Max. BHP = 37.85 (RPM ÷ 1000)³

CFM	OV	0.50" SP		1" SP		1.5" SP		2" SP		3" SP		4" SP		5" SP		6" SP		7" SP		8" SP		9" SP	
		RPM	BHP	RPM	BHP	RPM	BHP	RPM	BHP	RPM	BHP	RPM	BHP	RPM	BHP	RPM	BHP	RPM	BHP	RPM	BHP	RPM	BHP
9112	800	286	0.89	368	1.81																		
10251	900	302	1.04	375	1.97																		
11390	1000	318	1.20	386	2.17	452	3.38																
13668	1200	353	1.59	415	2.70	469	3.89	525	5.35														
15946	1400	391	2.09	447	3.33	497	4.64	544	6.07	638	9.48												
18224	1600	430	2.68	482	4.10	529	5.56	572	7.08	653	10.43	736	14.50										
20502	1800	471	3.41	518	4.96	562	6.58	603	8.25	677	11.73	751	15.75	824	20.39								
22780	2000	513	4.29	556	5.99	597	7.75	636	9.58	706	13.31	771	17.29	838	21.95	904	27.05	970	32.39				
25058	2200	556	5.33	596	7.19	634	9.10	670	11.05	738	15.13	799	19.30	858	23.80	918	28.88	979	34.53	1038	40.25		
27336	2400	600	6.57	636	8.54	672	10.62	706	12.73	770	17.05	830	21.59	884	26.14	939	31.18	994	36.71	1050	42.80	1105	49.08
29614	2600	644	7.99	678	10.13	711	12.33	743	14.57	804	19.21	862	24.06	915	28.97	965	33.99	1015	39.39	1066	45.34	1117	51.74
31892	2800	689	9.64	720	11.89	751	14.25	781	16.63	839	21.56	894	26.65	946	31.90	995	37.26	1041	42.67	1087	48.41	1135	54.82
34170	3000	734	11.51	763	13.91	791	16.34	820	18.92	876	24.20	928	29.54	978	35.04	1026	40.75	1070	46.35	1114	52.29	1157	58.42
38726	3400	824	15.96	850	18.67	875	21.40	901	24.28	951	30.09	1000	36.15	1046	42.22	1091	48.48	1134	54.84	1174	61.11	1214	67.69
43282	3800	915	21.54	938	24.51	961	27.56	984	30.69	1029	37.05	1074	43.68	1117	50.38	1159	57.25	1199	64.09	1238	71.07	1276	78.21
47838	4200	1007	28.39	1028	31.67	1049	35.03	1069	38.35	1110	45.29	1151	52.45	1192	59.88	1231	67.31	1269	74.85	1306	82.46	1342	90.14

CFM	OV	10" SP		11" SP		12" SP		13" SP		14" SP		15" SP		16" SP		17" SP		18" SP		19" SP		20" SP	
		RPM	BHP	RPM	BHP	RPM	BHP	RPM	BHP	RPM	BHP	RPM	BHP	RPM	BHP	RPM	BHP	RPM	BHP	RPM	BHP	RPM	BHP
27336	2400	1159	55.37																				
29614	2600	1168	58.46	1219	65.40	1269	72.22																
31892	2800	1182	61.52	1230	68.72	1277	76.01	1324	83.47	1371	90.92												
34170	3000	1201	65.05	1245	72.10	1290	79.68	1334	87.36	1378	95.26	1422	103										

BAE SWSI 490

Outlet Area - 13.80 ft² Wheel Dia. - 49.00 inches Tip Speed - 12.83 x RPM

Fan Efficiency Grade = FEG90

Max. BHP = 61.26 (RPM÷1000)³

CFM	OV	0.50" SP		1" SP		1.5" SP		2" SP		3" SP		4" SP		5" SP		6" SP		7" SP		8" SP		9" SP	
		RPM	BHP	RPM	BHP	RPM	BHP	RPM	BHP	RPM	BHP	RPM	BHP	RPM	BHP	RPM	BHP	RPM	BHP	RPM	BHP	RPM	BHP
11040	800	259	1.06	334	2.19																		
12420	900	274	1.25	341	2.40																		
13800	1000	289	1.46	350	2.62	410	4.08																
16560	1200	320	1.92	377	3.28	426	4.71	477	6.49														
19320	1400	355	2.53	406	4.04	451	5.62	494	7.36	580	11.53												
22080	1600	390	3.24	437	4.94	480	6.72	519	8.56	593	12.64	669	17.63										
24840	1800	428	4.15	470	6.00	510	7.96	548	10.03	614	14.16	681	19.09	748	24.69								
27600	2000	466	5.21	505	7.26	542	9.39	577	11.59	641	16.12	700	20.94	761	26.61	821	32.79	881	39.26				
30360	2200	505	6.47	541	8.71	575	10.99	608	13.37	670	18.32	725	23.34	779	28.83	834	35.05	889	41.84	943	48.83		
33120	2400	545	7.97	577	10.33	610	12.86	641	15.42	699	20.64	753	26.10	803	31.71	852	37.70	903	44.54	953	51.79	1003	59.40
35880	2600	585	9.69	615	12.24	645	14.90	675	17.69	730	23.28	782	29.08	830	35.00	876	41.16	921	47.64	968	54.96	1014	62.64
38640	2800	625	11.65	653	14.37	681	17.20	709	20.14	762	26.15	812	32.33	859	38.66	903	45.09	945	51.67	987	58.67	1030	66.32
41400	3000	666	13.92	692	16.80	718	19.79	744	22.88	795	29.29	843	35.85	888	42.47	931	49.28	972	56.24	1011	63.27	1050	70.68
46920	3400	748	19.33	771	22.56	794	25.88	818	29.41	863	36.41	907	43.67	949	51.04	990	58.64	1029	66.32	1066	74.05	1102	81.96
52440	3800	831	26.12	852	29.74	872	33.34	893	37.14	934	44.86	975	52.91	1014	61.02	1052	69.31	1089	77.74	1124	86.11	1159	94.88
57960	4200	914	34.36	933	38.33	952	42.39	971	46.53	1008	54.91	1045	63.55	1082	72.51	1117	81.42	1152	90.66	1185	99.72	1218	109.10

CFM	OV	10" SP		11" SP		12" SP		13" SP		14" SP		15" SP		16" SP		17" SP		18" SP		19" SP		20" SP	
		RPM	BHP	RPM	BHP	RPM	BHP	RPM	BHP	RPM	BHP	RPM	BHP	RPM	BHP	RPM	BHP	RPM	BHP	RPM	BHP	RPM	BHP
33120	2400	1053	67.19																				
35880	2600	1061	70.91			1153	87.66																
38640	2800	1073	74.49	1117	83.30	1160	92.20	1202	101.07	1245	110.17												
41400	3000	1090	78.72	1131	87.49	1171	96.47	1211	105.78	1251	115.34	1291	125.08	1331	134.79								
44160	3200	1111	83.80	1149	92.35	1187	101.39	1224	116.61	1262	120.46	1300	130.62	1337	140.70	1375	151.25	1412	161.44				
46920	3400	1136	89.79	1171	98.19	1206	106.95	1241	116.11	1277	126.00	1313	136.30	1348	146.62	1384	157.52	1419	168.31	1454	179.23	1489	190.14
49680	3600	1164	96.58	1196	104.79	1229	113.58	1262	122.71	1295	132.18	1329	142.39	1362	152.69	1396	163.67	1430	174.97	1463	186.15	1496	197.51
52440	3800	1192	103.54	1224	112.29	1255	121.08	1286	130.19	1317	139.62	1348	149.34	1380	159.77	1412	170.62	1443	181.47	1475	193.01	1507	204.84
55200	4000	1221	110.94	1252	119.96	1283	129.30	1312	138.34	1342	148.01	1371	157.64	1400	167.55	1430	178.11	1461	189.45	1491	200.79		
57960	4200	1250	118.56	1281	128.10	1311	137.69	1340	147.27	1368	156.81	1397	167.00	1424	176.75	1452	187.13	1481	198.20	1509	209.16		
63480	4600	1310	135.10	1340	145.43	1369	155.75	1398	166.42	1425	176.69	1452	187.24	1478	197.69								
69000	5000	1373	153.59	1401	164.44	1429	175.54	1457	186.95	1483	197.87	1510	209.51										

MAXIMUM RPM: Class I — 804 Class II — 1050 Class III — 1322 Class IV — 1520

BAE SWSI 542

Outlet Area - 16.92 ft² Wheel Dia. - 54.25 inches Tip Speed - 14.20 x RPM

Fan Efficiency Grade = FEG90

Max. BHP = 101.90 (RPM÷1000)³

CFM	OV	0.50" SP		1" SP		1.5" SP		2" SP		3" SP		4" SP		5" SP		6" SP		7" SP		8" SP		9" SP	
		RPM	BHP	RPM	BHP	RPM	BHP	RPM	BHP	RPM	BHP	RPM	BHP	RPM	BHP	RPM	BHP	RPM	BHP	RPM	BHP	RPM	BHP
13536	800	234	1.31	302	2.70																		
15228	900	247	1.53	308	2.94																		
16920	1000	261	1.78	316	3.21	371	5.03																
20304	1200	289	2.35	340	4.00	385	5.79	430	7.91														
23688	1400	320	3.08	367	4.96	408	6.92	446	9.00	524	14.14												
27072	1600	353	4.00	395	6.07	434	8.27	469	10.51	536	15.53	604	21.58										
30456	1800	386	5.06	425	7.38	461	9.78	495	12.29	555	17.40	615	23.38	676	30.32								
33840	2000	421	6.39	456	8.89	490	11.55	521	14.19	579	19.77	633	25.76	687	32.57	742	40.27	795	48.00				
37224	2200	456	7.93	488	10.64	520	13.53	550	16.47	605	22.44	655	28.64	704	35.40	753	42.91	803	51.30	852	59.92		
40608	2400	492	9.75	522	12.72	551	15.77	579	18.90	632	25.38	681	32.12	725	38.82	770	46.30	815	54.48	861	63.53	906	72.83
43992	2600	528	11.85	556	15.04	583	18.31	609	21.61	660	28.62	707	35.75	750	42.96	791	50.41	832	58.42	874	67.29	916	76.82
47376	2800	565	14.31	590	17.63	615	21.07	641	24.76	688	32.02	733	39.55	776	47.41	816	55.35	854	63.43	892	72.04	931	81.47
50760	3000	602	17.10	625	20.59	649	24.31	672	28.04	718	35.89	761	43.87	802	52.04	841	60.43	878	68.96	913	77.51	949	86.81
57528	3400	676	23.74	697	27.72	718	31.84	739	36.07	780	44.71	820	53.68	858	62.75	894	71.83	930	81.45	963	90.82	995	100.36
64296	3800	750	31.94	769	36.37	788	40.92	807	45.59	844	55.06	881	64.93	916	74.83	950	84.90	984	95.40	1016	105.79	1047	116.35
71064	4200	826	42.19	843	47.03	860	51.98	877	57.03	911	67.42	944	77.93	977	88.80	1009	99.82	1040	110.96	1071	122.46	1100	133.68

CFM	OV	10" SP		11" SP		12" SP		13" SP		14" SP		15" SP		16" SP		17" SP		18" SP		19" SP		20" SP	
		RPM	BHP	RPM	BHP	RPM	BHP	RPM	BHP	RPM	BHP	RPM	BHP	RPM	BHP	RPM	BHP	RPM	BHP	RPM	BHP	RPM	BHP
40608	2400	951	82.34																				
43992	2600	958	86.84	1000	97.20	1041	107.33																
47376	2800	970	91.55	1009	102.14	1047	112.79	1086	124.01	1125	135.23	1166	153.31	1202	165.16								
50760	3000	985	96.64	1021	107.07	1058	118.36	1094	129.74	1130	141.42												
54144	3200	1004	102.88	1038	113.26	1072	124.24	1106	135.75	1140	147.71	1174	160.04	1208	172.64	1242	185.44	1275	197.75				
57528	3400	1027	110.36	1058	120.47	1089	130.99	1121	142.36	1153	154.29	1186	167.11	1218	179.93	1250	193.07	1282	206.48	1313	219.57	1345	233.15
60912	3600	1051	118.27	1081	128.71	1110	139.20	1140	150.47	1170	162.16	1200	174.38	1231	187.54	1261	200.68	1291	214.18	1321	227.97	1352	242.54
64296	3800	1077	127.04	1105	137.43	1134	148.60	1161	159.36	1189	170.90	1218	183.27	1246	195.63	1275	208.97	1304	222.77	1333	236.99	1361	251.01
67680	4000	1103	136.05	1131	147.10	1159	158.55	1185	169.56	1212	181.36	1238	193.08	1265	205.61	1292	218.52	1319	231.90	1347	246.29		
7																							

BAE SWSI 600

Fan Efficiency Grade = FEG90

Outlet Area - 20.70 ft² Wheel Dia. - 60.00 inches Tip Speed - 15.71 x RPM Max. BHP = 168.60 (RPM÷1000)³

CFM	OV	0.50" SP		1" SP		1.5" SP		2" SP		3" SP		4" SP		5" SP		6" SP		7" SP		8" SP		9" SP	
		RPM	BHP	RPM	BHP	RPM	BHP	RPM	BHP	RPM	BHP	RPM	BHP	RPM	BHP	RPM	BHP	RPM	BHP	RPM	BHP	RPM	BHP
16560	800	212	1.61	273	3.30																		
18630	900	224	1.88	278	3.57																		
20700	1000	236	2.18	286	3.93	335	6.13																
24840	1200	262	2.90	308	4.92	348	7.07	389	9.70														
28980	1400	290	3.79	332	6.08	369	8.47	403	10.99	474	17.32												
33120	1600	319	4.88	357	7.42	392	10.08	424	12.85	485	19.04	546	26.38										
37260	1800	349	6.19	384	9.01	417	11.98	447	14.98	502	21.31	556	28.60	611	37.05								
41400	2000	381	7.83	412	10.85	443	14.12	471	17.35	524	24.25	572	31.46	621	39.81	670	49.07	719	58.76				
45540	2200	413	9.74	442	13.08	470	16.53	497	20.11	547	27.45	592	34.99	636	43.19	681	52.53	726	62.74	770	73.20		
49680	2400	445	11.94	472	15.56	498	19.26	524	23.19	571	30.98	615	39.15	656	47.59	696	56.58	737	66.67	778	77.57	819	89.04
53820	2600	478	14.55	502	18.32	527	22.37	551	26.49	596	34.87	639	43.68	678	52.52	715	61.61	752	71.39	790	82.24	828	93.90
57960	2800	511	17.52	534	21.63	557	25.91	579	30.20	622	39.15	663	48.44	702	58.08	737	67.48	772	77.55	806	87.95	841	99.38
62100	3000	544	20.88	566	25.30	587	29.77	608	34.36	649	43.86	688	53.64	726	63.88	761	74.09	794	84.39	826	94.99	858	106.17
70380	3400	611	29.00	630	33.88	649	38.91	668	44.09	705	54.63	741	65.55	776	76.82	809	88.08	841	99.67	871	111.20	900	122.91
78660	3800	679	39.22	696	44.62	713	50.17	730	55.85	763	67.32	796	79.25	828	91.46	859	103.87	889	116.42	918	129.13	947	142.47
86940	4200	747	51.64	762	57.48	778	63.68	793	69.77	823	82.26	854	95.48	884	108.84	913	122.38	941	136.01	968	149.63	995	163.72

CFM	OV	10" SP		11" SP		12" SP		13" SP		14" SP		15" SP		16" SP		17" SP		18" SP		19" SP		20" SP	
		RPM	BHP	RPM	BHP	RPM	BHP	RPM	BHP	RPM	BHP	RPM	BHP	RPM	BHP	RPM	BHP	RPM	BHP	RPM	BHP	RPM	BHP
49680	2400	860	100.78																				
53820	2600	866	106.16	904	118.84	941	131.20																
57960	2800	877	111.97	912	124.82	947	138.12	982	151.73	1017	165.34												
62100	3000	891	118.37	924	131.33	956	144.50	989	158.63	1022	173.15	1054	187.40	1087	202.15								
66240	3200	908	125.93	938	138.32	969	151.84	1000	166.05	1031	180.82	1062	196.05	1092	211.06	1123	226.87	1153	242.03				
70380	3400	928	134.74	956	147.08	985	160.41	1014	174.36	1043	189.00	1072	204.22	1101	219.93	1130	236.05	1159	252.49	1187	268.49	1216	285.15
74520	3600	950	144.54	977	157.25	1004	170.47	1031	184.19	1058	198.43	1085	213.31	1113	229.38	1140	245.38	1168	262.48	1195	279.29	1222	296.38
78660	3800	974	155.50	1000	168.56	1025	181.60	1050	195.08	1075	209.02	1101	224.01	1127	239.56	1153	255.74	1179	272.48	1205	289.72	1231	307.37
82800	4000	997	166.26	1023	180.14	1048	193.98	1072	207.74	1096	221.94	1120	236.58	1144	251.66	1168	267.18	1193	283.96	1218	301.33		
86940	4200	1021	177.85	1046	191.99	1071	206.65	1095	221.22	1118	235.63	1141	250.47	1163	265.06	1186	280.73	1209	296.83	1233	314.12		
95220	4600	1070	202.65	1095	218.44	1118	233.51	1142	249.71	1164	265.09	1186	280.88	1207	296.38	1229	313.02						
103500	5000	1122	230.72	1145	247.09	1167	263.18	1190	280.37	1212	297.33	1233	313.99										

MAXIMUM RPM: Class I — 657 Class II — 857 Class III — 1080 Class IV — 1241

BAE SWSI 660

Fan Efficiency Grade = FEG90

Outlet Area - 25.05 ft² Wheel Dia. - 66.00 inches Tip Speed - 17.28 x RPM Max. BHP = 271.60 (RPM÷1000)³

CFM	OV	0.50" SP		1" SP		1.5" SP		2" SP		3" SP		4" SP		5" SP		6" SP		7" SP		8" SP		9" SP	
		RPM	BHP	RPM	BHP	RPM	BHP	RPM	BHP	RPM	BHP	RPM	BHP	RPM	BHP	RPM	BHP	RPM	BHP	RPM	BHP	RPM	BHP
20040	800	193	1.95	248	3.98																		
22545	900	203	2.26	253	4.34																		
25050	1000	214	2.62	260	4.76	305	7.45																
30060	1200	238	3.50	280	5.95	316	8.53	354	11.77														
35070	1400	263	4.56	301	7.30	335	10.21	366	13.26	430	20.83												
40080	1600	290	5.90	325	9.01	357	12.26	385	15.50	441	23.05	496	31.85										
45090	1800	318	7.54	349	10.89	379	14.48	407	18.21	456	25.72	506	34.71	555	44.72								
50100	2000	346	9.45	375	13.18	403	17.12	429	21.11	476	29.27	520	38.06	565	48.29	610	59.64	654	71.23				
55110	2200	375	11.75	401	15.73	427	19.96	452	24.36	498	33.36	539	42.53	578	52.21	619	63.53	660	75.91	700	88.58		
60120	2400	404	14.39	429	18.82	453	23.35	476	27.99	519	37.46	559	47.35	596	57.48	633	68.55	670	80.67	708	94.15	745	107.94
65130	2600	434	17.54	457	22.26	479	27.06	501	32.07	542	42.23	581	52.88	617	63.74	650	74.55	684	86.52	719	99.85	753	113.74
70140	2800	464	21.13	485	26.09	506	31.28	527	36.67	566	47.51	603	58.69	638	70.22	670	81.65	702	93.90	733	106.54	765	120.46
75150	3000	495	25.33	514	30.52	534	36.09	553	41.64	590	53.07	626	65.08	660	77.29	692	89.72	722	102.19	751	114.98	780	128.47
85170	3400	556	35.20	573	41.05	590	47.08	607	53.27	641	66.13	674	79.44	705	92.77	735	106.38	764	120.34	792	134.64	818	148.62
95190	3800	617	47.39	633	54.06	648	60.65	663	67.38	694	81.59	724	96.04	753	110.78	781	125.72	809	141.29	835	156.50	861	172.44
105210	4200	679	62.45	693	69.63	707	76.96	721	84.45	749	99.86	776	115.36	803	131.39	830	148.08	855	164.31	880	181.05	904	197.74

CFM	OV	10" SP		11" SP		12" SP		13" SP		14" SP		15" SP		16" SP		17" SP		18" SP		19" SP		20" SP	
		RPM	BHP	RPM	BHP	RPM	BHP	RPM	BHP	RPM	BHP	RPM	BHP	RPM	BHP	RPM	BHP	RPM	BHP	RPM	BHP	RPM	BHP
60120	2400	782	122.03																				
65130	2600	788	128.82	822	143.90	856	159.07																
70140	2800	797	135.34	829	150.98	861	167.19	892	183.16	924	199.73												
75150	3000	810	143.22	840	158.92	870	175.40	899	191.88	929	209.45	958	226.64	988	244.49								
80160	3200	825	152.13	853	167.52	881	183.79	909	200.86	937	218.61	965	236.89	993	255.60	1021	274.60	1048	292.73				
85170	3400	844	163.24	869	177.91	895	193.80	922	211.11	948	228.56	975	247.46	1001	266.20	1027	285.40	1053	304.97	1079	324.80	1105	344.63
90180	3600	864	175.11	888	190.15	913	206.45	937	222.68	962	240.24	987	258.60	1011	276.89	1036	296.60	1061	316.87	1086	337.61	1111	358.72
95190	3800	885	187.86	909	203.90	932	219.86	955	236.39	978	253.48	1001	271.13	1024	289.41	1048	309.29	1072	329.88	1095	350.13	1119	371.84
100200	4000	907	201.60	930	217.96	952	234.18	974	250.94	996	268.25	1018	286.11	1040	304.52	1062	323.46	1084	343.08	1107	364.35		
105210	4200	928	215.07	951	232.37	974	250.32																

BAE SWSI 890

Fan Efficiency Grade = FEG90

Outlet Area - 45.54 ft² Wheel Dia. - 89.00 inches Tip Speed - 23.30 x RPM Max. BHP = 1211.0 (RPM÷1000)³

CFM	OV	0.50" SP		1" SP		1.5" SP		2" SP		3" SP		4" SP		5" SP		6" SP		7" SP		8" SP		9" SP	
		RPM	BHP	RPM	BHP	RPM	BHP	RPM	BHP	RPM	BHP	RPM	BHP	RPM	BHP	RPM	BHP	RPM	BHP	RPM	BHP	RPM	BHP
36432	800	143	3.54	184	7.25																		
40986	900	151	4.15	188	7.94																		
45540	1000	159	4.79	<u>193</u>	<u>8.68</u>	226	13.52																
54648	1200	176	6.31	207	10.72	<u>235</u>	<u>15.64</u>	262	21.27														
63756	1400	195	8.28	224	13.41	249	18.69	272	24.27	319	37.91												
72864	1600	215	10.73	241	16.39	264	22.11	286	28.32	327	41.90	368	58.00										
81972	1800	235	13.57	259	19.85	281	26.32	301	32.84	<u>338</u>	<u>46.71</u>	375	63.00	412	81.57								
91080	2000	257	17.27	278	23.94	299	31.17	318	38.34	353	53.24	<u>386</u>	<u>69.42</u>	419	87.81	452	108.18	485	129.51				
100188	2200	278	21.34	298	28.78	317	36.41	335	44.22	369	60.51	399	76.92	429	95.18	459	115.50	489	137.66	519	160.96		
109296	2400	300	26.28	318	34.17	336	42.49	353	50.91	385	68.19	415	86.38	442	104.54	469	124.33	497	146.81	525	171.17	552	195.76
118404	2600	322	31.94	339	40.52	355	49.11	371	58.07	402	76.84	431	96.25	457	115.49	<u>482</u>	<u>135.54</u>	<u>507</u>	<u>157.10</u>	533	181.37	558	206.37
127512	2800	344	38.39	360	47.58	375	56.77	390	66.28	420	86.56	447	106.60	473	127.59	497	148.61	<u>520</u>	<u>170.18</u>	<u>544</u>	<u>194.18</u>	<u>567</u>	<u>218.69</u>
136620	3000	367	46.04	381	55.43	396	65.63	410	75.67	438	98.83	464	118.17	489	140.18	513	162.99	535	185.40	557	209.16	578	233.09
154836	3400	412	63.86	425	74.69	438	85.89	450	96.79	475	119.99	500	144.61	523	168.88	545	193.39	567	219.35	587	244.43	607	270.78
173052	3800	457	85.87	469	98.05	480	109.92	492	122.78	515	148.67	537	174.74	558	201.01	579	228.42	600	257.02	619	284.30	638	312.85
191268	4200	503	113.21	514	126.69	524	139.73	535	153.85	555	181.16	576	210.38	596	239.55	615	268.62	634	298.73	653	329.86	671	360.58

CFM	OV	10" SP		11" SP		12" SP		13" SP		14" SP		15" SP		16" SP		17" SP		18" SP		19" SP		20" SP	
		RPM	BHP	RPM	BHP	RPM	BHP	RPM	BHP	RPM	BHP	RPM	BHP	RPM	BHP	RPM	BHP	RPM	BHP	RPM	BHP	RPM	BHP
109296	2400	580	221.98																				
118404	2600	584	233.79	609	260.91	635	289.51																
127512	2800	591	246.06	615	274.85	638	303.28	662	333.80	685	362.79												
136620	3000	600	259.56	623	289.07	645	318.69	667	349.42	689	380.97	711	413.08	733	445.11								
145728	3200	612	276.90	633	305.25	653	333.70	674	365.09	695	397.75	716	431.43	736	464.02	757	498.99	777	531.88				
154836	3400	626	297.01	645	324.38	664	352.87	683	382.64	703	415.58	723	449.89	742	483.41	762	519.77	781	554.77	800	590.22	820	627.88
163944	3600	641	318.85	659	346.54	677	375.32	695	405.17	713	436.13	732	470.36	750	504.02	769	540.86	787	576.60	806	615.36	824	652.52
173052	3800	656	341.16	674	370.63	691	399.54	708	429.48	725	460.44	742	492.39	760	527.57	777	562.04	795	599.91	812	636.60	830	676.57
182160	4000	672	365.61	689	395.21	706	425.88	723	457.66	739	488.57	755	520.43	771	553.22	788	589.17	804	624.15	821	662.71		
191268	4200	688	390.78	705	422.13	722	454.64	738	486.34	754	519.05	769	550.64	784	583.10	800	618.73	815	652.96	831	690.56		
209484	4600	721	445.26	738	480.24	754	514.39	770	549.67	785	583.90	800	619.07	814	652.82	828	687.40						
227700	5000	756	506.85	772	543.86	787	579.65	802	616.34	817	654.02	831	690.29										

MAXIMUM RPM: Class I — 443 Class II — 578 Class III — 728 Class IV — 837

BAE SWSI 982

Fan Efficiency Grade = FEG90

Outlet Area - 55.50 ft² Wheel Dia. - 98.25 inches Tip Speed - 27.72 x RPM Max. BHP = 1985.0 (RPM÷1000)³

CFM	OV	0.50" SP		1" SP		1.5" SP		2" SP		3" SP		4" SP		5" SP		6" SP		7" SP		8" SP		9" SP	
		RPM	BHP	RPM	BHP	RPM	BHP	RPM	BHP	RPM	BHP	RPM	BHP	RPM	BHP	RPM	BHP	RPM	BHP	RPM	BHP	RPM	BHP
44400	800	129	4.26	167	8.89																		
49950	900	137	5.08	170	9.62																		
55500	1000	144	5.84	175	10.61	205	16.55																
66600	1200	160	7.77	188	13.17	213	19.09	238	26.15														
77700	1400	177	10.16	203	16.37	225	22.61	246	29.44	289	46.22												
88800	1600	195	13.12	218	19.88	240	27.24	259	34.49	296	50.96	334	71.10										
99900	1800	213	16.57	235	24.31	255	32.25	273	40.17	306	56.82	340	76.99	373	99.23								
111000	2000	232	20.83	252	29.24	270	37.63	288	46.69	320	65.02	349	84.12	379	106.55	409	131.41	439	157.47				
122100	2200	252	26.06	270	35.10	287	44.31	303	53.65	334	73.57	362	94.18	389	116.35	416	140.97	443	167.81	470	195.99		
133200	2400	272	32.11	288	41.62	304	51.59	320	62.17	349	83.28	376	105.33	401	127.99	425	151.68	450	178.67	475	207.85	500	238.52
144300	2600	292	39.06	307	49.34	322	60.09	336	70.72	364	93.52	390	116.92	414	140.77	437	165.61	460	192.37	483	221.28	506	252.30
155400	2800	312	46.95	326	57.93	340	69.37	354	81.26	380	105.11	405	129.99	429	156.06	450	180.85	471	207.33	492	235.52	514	267.11
166500	3000	332	55.88	345	67.47	358	79.50	371	91.92	397	118.21	420	143.69	443	170.88	465	199.02	485	226.45	504	254.05		
188700	3400	373	77.69	385	91.03	396	104.07	408	118.27	431	146.96	453	176.32	474	206.12	494	236.13	513	266.35				
210900	3800	414	104.66	425	119.63	435	134.13	446	149.95	466	180.58	486	212.37	506	245.75								
233100	4200	456	138.29	465	153.79	475	170.64	484	186.76	503	221.11	521	255.24										

MAXIMUM RPM: Class I — 401 Class II — 523 Class III — 654 Class IV — 756

Performance certified is for installation Type B & D: Free or ducted inlet, ducted outlet. Power rating (BHP) does not include transmission losses. Performance ratings do not include the effects of appurtenances (accessories).

Legend:

Class I = Regular face to left of Class II Class III = *Italic face* to right of Class II
 Class II = Regular face in light shaded area Class IV = *Italic face* in darker shaded area
 Max. Static Efficiency = Underlined

BAE DWDI 122

Outlet Area - 1.55 ft² Wheel Dia. - 12.25 inches Tip Speed - 3.21 x RPM

Fan Efficiency Grade = FEG85
Max. BHP = 0.089 (RPM÷1000)³

CFM	OV	0.5" SP		1" SP		2" SP		3" SP		4" SP		5" SP		6" SP		8" SP		10" SP		12" SP		14" SP	
		RPM	BHP	RPM	BHP	RPM	BHP	RPM	BHP	RPM	BHP	RPM	BHP	RPM	BHP	RPM	BHP	RPM	BHP	RPM	BHP	RPM	BHP
1240	800	1202	0.15	1470	0.28																		
1550	1000	1349	0.21	1605	0.37	<u>2002</u>	<u>0.71</u>																
1860	1200	1508	0.29	1750	0.47			2442	1.29														
2170	1400	1679	0.38	1897	0.59	2260	1.02	<u>2556</u>	<u>1.49</u>	2826	2.00												
2480	1600	1857	0.51	2052	0.73	2404	1.22	2690	1.73	<u>2940</u>	<u>2.26</u>	<u>3175</u>	<u>2.84</u>										
2790	1800	2040	0.65	2219	0.90	2550	1.44	2829	2.00	3074	2.58	<u>3294</u>	<u>3.18</u>	3503	3.82								
3100	2000	2227	0.83	2392	1.11	2698	1.69	2974	2.30	3211	2.93	3429	3.58	<u>3628</u>	<u>4.25</u>	4005	5.69						
3410	2200	2417	1.04	2570	1.35	2852	1.97	3120	2.64	3354	3.32	3564	4.01	3762	4.73	4117	6.22	4462	7.86				
3720	2400	2610	1.29	2751	1.62	3015	2.30	3267	3.01	3500	3.74	3707	4.49	3898	5.25	4250	6.83	<u>4566</u>	<u>8.48</u>	4884	10.30		
4030	2600	2804	1.58	2936	1.94	3184	2.66	3419	3.42	3646	4.20	3852	5.00	4040	5.81	4383	7.48	<u>4695</u>	<u>9.22</u>	<u>4985</u>	<u>11.03</u>		
4340	2800	2999	1.91	3123	2.29	3357	3.07	3578	3.87	3794	4.71	<u>3998</u>	<u>5.56</u>	4185	6.42	4521	8.18	4830	10.02	<u>5111</u>	<u>11.89</u>		
4650	3000	3196	2.29	3313	2.70	3534	3.53	3743	4.38	3946	5.25	4144	6.15	4331	7.07	4663	8.94	4964	10.85				
4960	3200	3394	2.72	3504	3.15	3714	4.04	3913	4.94	4105	5.86	4294	6.81	4477	7.78	4808	9.74	5103	11.75				
5270	3400	3592	3.20	3696	3.66	3896	4.60	<u>4086</u>	<u>5.55</u>	4269	6.51	4448	7.51	4624	8.52	4954	10.60						
5890	3800	3991	4.33	4085	4.85	4267	5.90	4441	6.96	4609	8.02	4772	9.10	<u>4932</u>	<u>10.21</u>								
6510	4200	4393	5.73	4478	6.30	4644	7.45	4805	8.62	4960	9.79	5111	10.96										

MAXIMUM RPM: Class I — 3957 Class II — 5158 Selections above 4000 RPM not recommended. Consult factory.

BAE DWDI 135

Outlet Area - 1.89 ft² Wheel Dia. - 13.50 inches Tip Speed - 3.53 x RPM

Fan Efficiency Grade = FEG80
Max. BHP = 0.159 (RPM÷1000)³

CFM	OV	0.5" SP		1" SP		2" SP		3" SP		4" SP		5" SP		6" SP		8" SP		10" SP		12" SP		14" SP	
		RPM	BHP	RPM	BHP	RPM	BHP	RPM	BHP	RPM	BHP	RPM	BHP	RPM	BHP	RPM	BHP	RPM	BHP	RPM	BHP	RPM	BHP
1512	800	1046	0.18	1335	0.36																		
1890	1000	1164	0.25	1410	0.45																		
2268	1200	1293	0.33	1519	0.55	<u>1908</u>	<u>1.07</u>																
2646	1400	1433	0.43	1638	0.68	<u>1987</u>	<u>1.25</u>	2317	1.89														
3024	1600	1582	0.57	1764	0.84	2092	1.45	<u>2385</u>	<u>2.14</u>	2671	2.89												
3402	1800	1734	0.73	1898	1.03	2209	1.69	<u>2475</u>	<u>2.41</u>	2735	3.20	2989	4.06										
3780	2000	1888	0.92	2042	1.25	2329	1.96	2585	2.74	<u>2820</u>	<u>3.57</u>	<u>3053</u>	<u>4.45</u>	3282	5.40								
4158	2200	2044	1.15	2190	1.51	2454	2.27	2702	3.10	2923	3.97	<u>3136</u>	<u>4.90</u>	<u>3348</u>	<u>5.88</u>								
4536	2400	2202	1.41	2341	1.81	2585	2.62	2822	3.50	3038	4.43	3236	5.39	3431	6.41	<u>3817</u>	<u>8.59</u>						
4914	2600	2361	1.72	2494	2.15	2723	3.02	2945	3.95	3156	4.93	3348	5.95	3529	7.00	<u>3889</u>	<u>9.25</u>	4242	11.68				
5292	2800	2522	2.08	2648	2.54	2866	3.46	3074	4.44	3276	5.47	3465	6.55	3639	7.64	<u>3975</u>	<u>9.98</u>	4307	12.47				
5670	3000	2683	2.48	2804	2.98	3014	3.96	3207	4.99	3400	6.07	3584	7.20	3756	8.36	4074	10.76	<u>4386</u>	<u>13.34</u>				
6048	3200	2846	2.94	2961	3.47	3163	4.52	3346	5.59	3528	6.73	3705	7.90	3875	9.12	4184	11.63						
6426	3400	3009	3.46	3119	4.02	3315	5.13	3489	6.26	3660	7.44	3830	8.67	3995	9.94	4299	12.55						
7182	3800	3337	4.67	3438	5.29	3622	6.54	3785	7.79	3938	9.06	4091	10.39	4243	11.75								
7938	4200	3667	6.15	3760	6.84	3932	8.22	4087	9.60	4230	10.98	4368	12.40										

MAXIMUM RPM: Class I — 3374 Class II — 4398 Selections above 4000 RPM not recommended. Consult factory.

BAE DWDI 150

Outlet Area - 2.33 ft² Wheel Dia. - 15.00 inches Tip Speed - 3.93 x RPM

Fan Efficiency Grade = FEG80
Max. BHP = 0.244 (RPM÷1000)³

CFM	OV	0.5" SP		1" SP		2" SP		3" SP		4" SP		5" SP		6" SP		8" SP		10" SP		12" SP		14" SP	
		RPM	BHP	RPM	BHP	RPM	BHP	RPM	BHP	RPM	BHP	RPM	BHP	RPM	BHP	RPM	BHP	RPM	BHP	RPM	BHP	RPM	BHP
1864	800	983	0.23	1202	0.43																		
2330	1000	1103	0.32	1313	0.55	<u>1636</u>	<u>1.07</u>																
2796	1200	1233	0.43	1431	0.70	1737	1.28	1995	1.93														
3262	1400	1374	0.58	1551	0.88	1848	1.54	2089	2.24	2309	3.00												
3728	1600	1520	0.76	1679	1.10	1966	1.83	2199	2.60	<u>2403</u>	<u>3.40</u>	<u>2595</u>	<u>4.27</u>										
4194	1800	1670	0.99	1815	1.36	2085	2.17	2313	3.01	2513	3.88	<u>2693</u>	<u>4.79</u>	2863	5.75								
4660	2000	1823	1.25	1957	1.67	2206	2.54	2432	3.46	2625	4.41	2803	5.39	<u>2965</u>	<u>6.39</u>	<u>3272</u>	<u>8.55</u>						
5126	2200	1979	1.57	2103	2.03	2333	2.97	2551	3.97	2743	4.99	2914	6.03	3075	7.12	<u>3365</u>	<u>9.34</u>	3646	11.81				
5592	2400	2136	1.95	2252	2.45	2467	3.46	2672	4.53	2862	5.63	3031	6.75	3187	7.89	3474	10.27	<u>3732</u>	<u>12.74</u>	3991	15.48		
6058	2600	2295	2.38	2403	2.92	2605	4.01	2796	5.14	2981	6.32	3150	7.52	3303	8.74	3583	11.25	<u>3838</u>	<u>13.86</u>	<u>4074</u>	<u>16.57</u>		
6524	2800	2455	2.88	2556	3.46	2747	4.63	2927	5.83	3102	7.08	3269	8.36	3422	9.66	3696	12.30	3949	15.08	<u>4178</u>	<u>17.88</u>		
6990	3000	2616	3.45	2711	4.07	2892	5.33	3062	6.59	3228	7.91	3389	9.26	3541	10.64	3813	13.45	4058	16.32				
7456	3200	2778	4.10	2868	4.76	3039	6.09	3201	7.44	3358	8.82	3512	10.25	3661	11.70	3932	14.67	4172	17.67				
7922	3400	2941	4.83	3026	5.53	3189	6.95	3343	8.36	3492	9.81	3638	11.31	3782	12.84	4051	15.96						
8854	3800	3268	6.55	3344	7.32	<u>3492</u>	<u>8.90</u>	3634	10.49	3771	12.09	3904	13.71	4034	15.37								
9786	4200	3596	8.64	3666	9.51	3801	11.24	3932	13.00	4059	14.76	4182	16.53										

MAXIMUM RPM: Class I — 3232 Class II — 4213 Selections above 4000 RPM not recommended. Consult factory.

Performance certified is for installation Type B & D: Free or ducted inlet, ducted outlet. Power rating (BHP) does not include transmission losses. Performance ratings do not include the effects of appurtenances (accessories).

Legend:

Class I = Regular face to left of Class II Class III = *Italic face* to right of Class II
 Class II = Regular face in light shaded area Class IV = *Italic face* in darker shaded area
 Max. Static Efficiency = Underlined

BAE DWDI 165

Fan Efficiency Grade = FEG75

Outlet Area - 2.82 ft² Wheel Dia. - 16.50 inches Tip Speed - 4.32 x RPM Max. BHP = 0.433 (RPM ÷ 1000)³

CFM	OV	0.5" SP		1" SP		2" SP		3" SP		4" SP		5" SP		6" SP		8" SP		10" SP		12" SP		14" SP	
		RPM	BHP	RPM	BHP	RPM	BHP	RPM	BHP	RPM	BHP	RPM	BHP	RPM	BHP	RPM	BHP	RPM	BHP	RPM	BHP	RPM	BHP
2256	800	855	0.27	1092	0.54																		
2820	1000	952	0.37	1153	0.66																		
3384	1200	1057	0.49	1242	0.83	1561	1.60																
3948	1400	1172	0.65	1339	1.02	1625	1.86	1895	2.82														
4512	1600	1293	0.84	1442	1.25	1711	2.17	1950	3.18	2185	4.32												
5076	1800	1417	1.08	1552	1.53	1806	2.52	2024	3.60	2237	4.78	2445	6.06										
5640	2000	1543	1.37	1669	1.86	1904	2.93	2114	4.08	2306	5.32	2497	6.64	2685	8.06								
6204	2200	1671	1.71	1790	2.25	2006	3.39	2210	4.63	2390	5.92	2565	7.31	2738	8.76								
6768	2400	1800	2.11	1913	2.69	2114	3.91	2308	5.23	2484	6.61	2646	8.04	2806	9.56	3122	12.81						
7332	2600	1930	2.57	2039	3.21	2226	4.50	2408	5.88	2581	7.35	2737	8.86	2886	10.44	3181	13.81	3470	17.43				
7896	2800	2061	3.10	2165	3.78	2343	5.16	2513	6.62	2679	8.17	2833	9.76	2976	11.40	3251	14.89	3523	18.61				
8460	3000	2193	3.70	2292	4.43	2464	5.91	2622	7.43	2780	9.06	2931	10.74	3071	12.46	3332	16.06	3587	19.90				
9024	3200	2326	4.38	2420	5.16	2586	6.73	2735	8.33	2884	10.02	3030	11.79	3168	13.59	3421	17.34						
9588	3400	2459	5.15	2459	5.98	2710	7.65	2853	9.33	2992	11.08	3132	12.93	3266	14.81	3516	18.73						
10716	3800	2727	6.95	2810	7.89	2960	9.74	3094	11.61	3220	13.52	3345	15.49	3470	17.54								
11844	4200	2997	9.16	3073	10.19	3214	12.25	3341	14.30	3458	16.37	3571	18.48										

MAXIMUM RPM: Class I — 2761 Class II — 3599

BAE DWDI 182

Fan Efficiency Grade = FEG90

Outlet Area - 3.45 ft² Wheel Dia. - 18.25 inches Tip Speed - 4.78 x RPM Max. BHP = 0.834 (RPM ÷ 1000)³

CFM	OV	0.5" SP		1" SP		2" SP		3" SP		4" SP		5" SP		6" SP		8" SP		10" SP		12" SP		14" SP	
		RPM	BHP	RPM	BHP	RPM	BHP	RPM	BHP	RPM	BHP	RPM	BHP	RPM	BHP	RPM	BHP	RPM	BHP	RPM	BHP	RPM	BHP
2760	800	709	0.29																				
3450	1000	781	0.40	963	0.71																		
4140	1200	863	0.53	1026	0.90	1330	1.77																
4830	1400	954	0.69	1100	1.11	1359	2.00																
5520	1600	1051	0.90	1179	1.35	1417	2.34	1643	3.45														
6210	1800	1151	1.16	1266	1.64	1489	2.75	1686	3.87	1891	5.21												
6900	2000	1255	1.47	1358	1.99	1563	3.18	1750	4.42	1926	5.71	2112	7.24										
7590	2200	1360	1.84	1455	2.41	1641	3.65	1822	5.04	1984	6.38	2145	7.84	2315	9.55								
8280	2400	1467	2.27	1554	2.88	1725	4.19	1896	5.68	2053	7.17	2199	8.64	2348	10.28	2660	14.13						
8970	2600	1575	2.78	1656	3.43	1815	4.82	1972	6.36	2126	8.02	2265	9.59	2400	11.21	2681	14.97	2968	19.34				
9660	2800	1683	3.36	1759	4.05	1908	5.53	2054	7.13	2200	8.88	2338	10.64	2465	12.33	2717	15.97	2984	20.33				
10350	3000	1793	4.02	1864	4.76	2003	6.32	2140	7.98	2277	9.80	2411	11.70	2536	13.55	2770	17.23	3012	21.47	3263	26.33		
11040	3200	1903	4.77	1970	5.56	2101	7.20	2230	8.94	2357	10.79	2486	12.79	2609	14.82	2835	18.72	3055	22.84	3286	27.61	3520	32.87
11730	3400	2014	5.62	2077	6.45	2201	8.18	2323	10.00	2443	11.91	2563	13.95	2683	16.11	2905	20.32	3111	24.48	3322	29.12	3541	34.33
13110	3800	2237	7.62	2294	8.55	2405	10.45	2515	12.43	2623	14.48	2730	16.62	2838	18.90	3051	23.70	3248	28.41	3432	33.01	3618	37.98
14490	4200	2461	10.06	2512	11.07	2614	13.16	2714	15.32	2813	17.54	2910	19.81	3007	22.18	3203	27.29	3394	32.63	3571	37.79	3739	42.88

MAXIMUM RPM: Class I — 2248 Class II — 2930 Class III — 3695 Class IV — 4080 Selections above 4000 RPM are not recommended. Consult factory.

BAE DWDI 200

Fan Efficiency Grade = FEG85

Outlet Area - 4.14 ft² Wheel Dia. - 20.00 inches Tip Speed - 5.23 x RPM Max. BHP = 1.32 (RPM ÷ 1000)³

CFM	OV	0.5" SP		1" SP		2" SP		3" SP		4" SP		5" SP		6" SP		8" SP		10" SP		12" SP		14" SP	
		RPM	BHP	RPM	BHP	RPM	BHP	RPM	BHP	RPM	BHP	RPM	BHP	RPM	BHP	RPM	BHP	RPM	BHP	RPM	BHP	RPM	BHP
3312	800	646	0.35																				
4140	1000	713	0.48	879	0.86																		
4968	1200	787	0.63	936	1.07	1213	2.12																
5796	1400	870	0.83	1003	1.33	1240	2.40																
6624	1600	958	1.08	1075	1.62	1293	2.81	1499	4.14														
7452	1800	1050	1.39	1154	1.97	1358	3.30	1538	4.64	1725	6.25												
8280	2000	1144	1.76	1239	2.39	1426	3.82	1596	5.30	1757	6.84	1927	8.69										
9108	2200	1240	2.20	1327	2.88	1497	4.38	1662	6.05	1809	7.64	1957	9.41	2112	11.46								
9936	2400	1337	2.72	1418	3.46	1574	5.04	1729	6.81	1873	8.61	2006	10.37	2142	12.33	2427	16.96						
10764	2600	1436	3.33	1510	4.11	1655	5.78	1799	7.64	1939	9.61	2067	11.52	2189	13.44	2446	17.96	2708	23.21				
11592	2800	1535	4.02	1604	4.86	1740	6.63	1873	8.54	2006	10.64	2132	12.75	2248	14.78	2479	19.17	2723	24.41				
12420	3000	1635	4.82	1700	5.71	1827	7.58	1951	9.56	2076	11.73	2199	14.03	2313	16.25	2527	20.67	2748	25.76	2977	31.59		
13248	3200	1736	5.73	1797	6.67	1916	8.64	2034	10.72	2150	12.94	2267	15.34	2380	17.78	2586	22.45	2787	27.41	2998	33.13	3212	39.46
14076	3400	1837	6.74	1894	7.73	2007	9.81	2118	11.98	2228	14.28	2338	16.74	2447	19.32	2650	24.38	2838	29.37	3031	34.95	3231	41.21
15732	3800	2040	9.13	2091	10.23	2193	12.52	2294	14.91	2392	17.36	2490	19.93	2589	22.68	2783	28.43	2963	34.08	3131	39.61	3300	45.54
17388	4200	2244	12.06	2291	13.28	2384	15.78	2475	18.36	2565	21.02	2654	23.76	2743	26.61	2921	32.72	3095	39.10	3258	45.36	3411	51.45

MAXIMUM RPM: Class I — 2051 Class II — 2674 Class III — 3372 Class IV — 3723

Performance certified is for installation Type B & D: Free or ducted inlet, ducted outlet. Power rating (BHP) does not include transmission losses. Performance ratings do not include the effects of appurtenances (accessories).

Legend:

Class I = Regular face to left of Class II Class III = *Italic face* to right of Class II
 Class II = Regular face in light shaded area Class IV = *Italic face* in darker shaded area
 Max. Static Efficiency = Underlined

BAE DWDI 222

Fan Efficiency Grade = FEG90

Outlet Area - 5.12 ft² Wheel Dia. - 22.25 inches Tip Speed - 5.83 x RPM

Max. BHP = 2.17 (RPM÷1000)³

CFM	OV	0.5" SP		1" SP		2" SP		3" SP		4" SP		5" SP		6" SP		8" SP		10" SP		12" SP		14" SP	
		RPM	BHP	RPM	BHP	RPM	BHP	RPM	BHP	RPM	BHP	RPM	BHP	RPM	BHP	RPM	BHP	RPM	BHP	RPM	BHP	RPM	BHP
4096	800	580	0.42																				
5120	1000	639	0.56	<u>788</u>	<u>1.04</u>																		
6144	1200	709	0.75			1077	2.54																
7168	1400	782	0.98			1111	<u>2.90</u>																
8192	1600	859	1.26	968	1.94	1159	3.36	<u>1339</u>	<u>5.01</u>														
9216	1800	940	1.61	1039	2.35	1216	3.89	<u>1380</u>	<u>5.61</u>	1538	7.54												
10240	2000	1023	2.03	1114	2.83	1279	4.52	1431	6.33	<u>1576</u>	<u>8.30</u>	1718	10.49	<u>1857</u>	<u>12.82</u>								
11264	2200	1108	2.53	1191	3.39	1346	5.22	1488	7.14	<u>1623</u>	<u>9.19</u>	<u>1755</u>	<u>11.43</u>	1883	13.83								
12288	2400	1194	3.11	1270	4.03	1417	6.02	1550	8.05	1677	10.20	1800	12.50	<u>1920</u>	<u>14.95</u>	2154	20.33						
13312	2600	1281	3.79	1352	4.77	1490	6.90	1617	9.08	1736	11.33	1852	13.72	<u>1964</u>	<u>16.21</u>	<u>2184</u>	<u>21.71</u>	2399	27.73				
14336	2800	1369	4.57	1435	5.61	1564	7.86	1686	10.21	1799	12.57	1909	15.07	2016	17.68	<u>2223</u>	<u>23.25</u>	2425	29.42				
15360	3000	1458	5.46	1519	6.56	1641	8.94	1758	11.46	1866	13.96	1970	16.54	2072	19.26	<u>2268</u>	<u>24.97</u>	<u>2459</u>	<u>31.21</u>	2646	37.95		
16384	3200	1547	6.46	1605	7.64	1719	10.12	1831	12.80	1935	15.46	2034	18.15	2131	20.96	2318	26.85	<u>2500</u>	<u>33.19</u>	<u>2678</u>	<u>40.07</u>	2853	47.37
17408	3400	1637	7.60	1691	8.83	1799	11.44	1905	14.23	2006	17.08	2102	19.93	2194	22.82	2374	28.95	<u>2547</u>	<u>35.42</u>	<u>2717</u>	<u>42.38</u>	2883	49.79
19456	3800	1817	10.27	1866	11.64	1962	14.47	2058	17.50	2153	20.69	2243	23.87	2328	27.02	2493	33.53	2653	40.40	2809	47.63	<u>2961</u>	<u>55.19</u>
21504	4200	1998	13.53	2043	15.04	2130	18.12	2217	21.37	2304	24.80	2389	28.33	2470	31.83	2624	38.85	2773	46.16	2917	53.72	<u>3058</u>	<u>61.59</u>

MAXIMUM RPM: Class I — 1837 Class II — 2395 Class III — 3020 Class IV — 3347

BAE DWDI 245

Fan Efficiency Grade = FEG85

Outlet Area - 6.21 ft² Wheel Dia. - 24.50 inches Tip Speed - 6.41 x RPM

Max. BHP = 3.51 (RPM÷1000)³

CFM	OV	0.5" SP		1" SP		2" SP		3" SP		4" SP		5" SP		6" SP		8" SP		10" SP		12" SP		14" SP	
		RPM	BHP	RPM	BHP	RPM	BHP	RPM	BHP	RPM	BHP	RPM	BHP	RPM	BHP	RPM	BHP	RPM	BHP	RPM	BHP	RPM	BHP
4968	800	526	0.51																				
6210	1000	581	0.69	<u>716</u>	<u>1.26</u>																		
7452	1200	644	0.91			978	3.08																
8694	1400	711	1.20	817	1.91	<u>1010</u>	<u>3.53</u>																
9936	1600	781	1.54	879	2.35	1053	4.07	<u>1216</u>	<u>6.07</u>														
11178	1800	854	1.95	944	2.85	1105	4.73	<u>1253</u>	<u>6.79</u>	1397	9.15												
12420	2000	929	2.46	1012	3.44	1162	5.48	1299	7.66	<u>1432</u>	<u>10.08</u>	1560	12.72	<u>1686</u>	<u>15.54</u>								
13662	2200	1006	3.06	1082	4.11	1223	6.34	1352	8.67	<u>1474</u>	<u>11.14</u>	<u>1594</u>	<u>13.86</u>	1710	16.77								
14904	2400	1085	3.78	1154	4.89	1287	7.30	1408	9.76	1523	12.37	<u>1635</u>	<u>15.17</u>	<u>1744</u>	<u>18.14</u>	1956	24.64						
16146	2600	1164	4.60	1228	5.78	1353	8.36	1468	11.00	1577	13.75	1682	16.64	<u>1784</u>	<u>19.67</u>	<u>1984</u>	<u>26.35</u>	2178	33.60				
17388	2800	1244	5.54	1303	6.80	1421	9.54	1531	12.38	1634	15.25	1734	18.28	1831	21.44	<u>2019</u>	<u>28.20</u>	2202	35.66				
18630	3000	1324	6.62	1380	7.96	1490	10.83	1596	13.88	1695	16.94	1789	20.06	1882	23.36	<u>2060</u>	<u>30.28</u>	<u>2234</u>	<u>37.88</u>	2403	46.02		
19872	3200	1405	7.84	1458	9.26	1561	12.27	1663	15.52	1758	18.76	1848	22.03	1936	25.44	2106	32.59	<u>2271</u>	<u>40.28</u>	<u>2432</u>	<u>48.58</u>	2591	57.44
21114	3400	1487	9.22	1536	10.71	1634	13.88	1731	17.28	1822	20.71	1909	24.16	1993	27.69	2156	35.10	<u>2313</u>	<u>42.95</u>	<u>2467</u>	<u>51.36</u>	2618	60.36
23598	3800	1651	12.47	1695	14.12	1783	17.58	1870	21.25	1955	25.07	2037	28.94	2115	32.79	2265	40.70	2410	49.03	<u>2551</u>	<u>57.75</u>	2690	66.98
26082	4200	1815	16.42	1856	18.25	1935	21.99	2014	25.93	2093	30.10	2170	34.36	2244	38.64	2384	47.17	2518	55.94	2650	65.20	<u>2778</u>	<u>74.75</u>

MAXIMUM RPM: Class I — 1668 Class II — 2175 Class III — 2742 Class IV — 3039

BAE DWDI 270

Fan Efficiency Grade = FEG90

Outlet Area - 7.54 ft² Wheel Dia. - 27.00 inches Tip Speed - 7.07 x RPM

Max. BHP = 5.43 (RPM÷1000)³

CFM	OV	0.5" SP		1" SP		2" SP		3" SP		4" SP		5" SP		6" SP		8" SP		10" SP		12" SP		14" SP	
		RPM	BHP	RPM	BHP	RPM	BHP	RPM	BHP	RPM	BHP	RPM	BHP	RPM	BHP	RPM	BHP	RPM	BHP	RPM	BHP	RPM	BHP
6032	800	482	0.61	618	1.17																		
7540	1000	535	0.82	652	1.48																		
9048	1200	595	1.10	698	1.85	884	3.51																
10556	1400	657	1.44	752	2.29	919	4.14	<u>1073</u>	<u>6.15</u>														
12064	1600	721	1.85	811	2.82	964	4.86	<u>1104</u>	<u>7.04</u>	<u>1237</u>	<u>9.38</u>												
13572	1800	789	2.36	872	3.43	1014	5.66	1144	8.05	<u>1266</u>	<u>10.54</u>	1384	13.17										
15080	2000	859	2.98	935	4.14	1070	6.59	1190	9.15	1304	11.84	<u>1413</u>	<u>14.62</u>	<u>1520</u>	<u>17.56</u>								
16588	2200	930	3.71	999	4.94	1128	7.62	1241	10.37	1348	13.25	1451	16.26	<u>1550</u>	<u>19.32</u>	1743	25.88						
18096	2400	1003	4.58	1066	5.89	1189	8.79	1296	11.74	1397	14.81	1493	17.96	1587	21.25	<u>1767</u>	<u>28.03</u>	1944	35.43				
19604	2600	1077	5.60	1134	6.97	1251	10.08	1354	13.25	1449	16.49	1541	19.86	1629	23.30	<u>1800</u>	<u>30.49</u>	1964	37.99	2127	46.11		
21112	2800	1151	6.76	1204	8.21	1313	11.48	1414	14.91	1504	18.33	1592	21.91	1676	25.54	1838	33.09	<u>1994</u>	<u>40.94</u>	<u>2146</u>	<u>49.19</u>	2297	57.98
22620	3000	1226	8.10	1276	9.65	1377	13.05	1475	16.72	1563	20.38	1645	24.08	1726	27.93	1881	35.87	<u>2030</u>	<u>44.13</u>	<u>2174</u>	<u>52.63</u>	<u>2315</u>	<u>61.52</u>
24128	3200	1301	9.60	1348	11.24	1442	14.77	1537	18.68	1622	22.55	1702	26.49	1779	30.52	1927	38.79	2069	47.40	<u>2208</u>	<u>56.36</u>	<u>2342</u>	<u>65.48</u>
25636	3400	1377	11.31	1421	13.03	1509	16.70	1599	20.77	1683	24.92	1761	29.09	1834	33.26	1977	41.97	2113	50.93	2246	60.26	<u>2374</u>	<u>69.69</u>
28652	3800	1529	15.32	1568	17.20	1647	21.20	1727	25.55	1807	30.19	1882	34.85	1951	39.44	2083	48.89	2210	58.63	2332	68.		

BAE DWDI 300

Fan Efficiency Grade = FEG90

Outlet Area - 9.31 ft² Wheel Dia. - 30.00 inches Tip Speed - 7.85 x RPM Max. BHP = 9.20 (RPM÷1000)³

CFM	OV	0.5" SP		1" SP		2" SP		3" SP		4" SP		5" SP		6" SP		8" SP		10" SP		12" SP		14" SP	
		RPM	BHP	RPM	BHP	RPM	BHP	RPM	BHP	RPM	BHP	RPM	BHP	RPM	BHP	RPM	BHP	RPM	BHP	RPM	BHP	RPM	BHP
7448	800	434	0.75	557	1.45																		
9310	1000	481	1.01	587	1.83																		
11172	1200	535	1.36	629	2.29	795	4.32																
13034	1400	591	1.77	677	2.83	827	5.10	966	7.60														
14896	1600	649	2.28	730	3.48	867	5.98	993	8.68	1113	11.57												
16758	1800	710	2.91	785	4.24	913	6.99	1029	9.92	1140	13.03	1246	16.28										
18620	2000	773	3.67	841	5.10	963	8.14	1071	11.29	1174	14.63	1272	18.06	1368	21.68								
20482	2200	837	4.58	899	6.10	1016	9.43	1117	12.81	1213	16.35	1306	20.08	1395	23.86	1569	31.97						
22344	2400	903	5.66	959	7.26	1070	10.85	1166	14.48	1257	18.27	1344	22.19	1428	26.22	1591	34.66	1749	43.71				
24206	2600	969	6.91	1021	8.61	1126	12.45	1218	16.33	1304	20.36	1387	24.53	1466	28.76	1620	37.64	1768	46.94	1915	57.00		
26068	2800	1036	8.35	1084	10.15	1182	14.18	1272	18.38	1354	22.65	1433	27.06	1508	31.50	1655	40.91	1795	50.58	1931	60.69	2067	71.55
27930	3000	1104	10.02	1148	11.90	1239	16.09	1327	20.61	1406	25.13	1481	29.76	1554	34.52	1693	44.29	1827	54.48	1956	64.92	2084	76.01
29792	3200	1171	11.86	1213	13.87	1298	18.24	1383	23.05	1460	27.85	1532	32.72	1601	37.67	1735	47.95	1863	58.60	1987	69.56	2108	80.87
31654	3400	1239	13.96	1279	16.09	1358	20.61	1439	25.64	1515	30.78	1585	35.92	1651	41.10	1779	51.79	1902	62.90	2021	74.36	2137	86.09
35378	3800	1377	18.96	1412	21.27	1482	26.16	1554	31.52	1626	37.24	1694	43.03	1756	48.70	1874	60.29	1989	72.39	2099	84.71	2206	97.35
39102	4200	1514	24.99	1546	27.54	1610	32.87	1674	38.53	1740	44.68	1805	51.07	1866	57.42	1978	70.07	2084	82.99	2187	96.23	2287	109.77

MAXIMUM RPM: Class I — 1387 Class II — 1808 Class III — 2280 Class IV — 2480

BAE DWDI 330

Fan Efficiency Grade = FEG90

Outlet Area - 11.27 ft² Wheel Dia. - 33.00 inches Tip Speed - 8.64 x RPM Max. BHP = 14.81 (RPM÷1000)³

CFM	OV	0.5" SP		1" SP		2" SP		3" SP		4" SP		5" SP		6" SP		8" SP		10" SP		12" SP		14" SP	
		RPM	BHP	RPM	BHP	RPM	BHP	RPM	BHP	RPM	BHP	RPM	BHP	RPM	BHP	RPM	BHP	RPM	BHP	RPM	BHP	RPM	BHP
9016	800	394	0.90	506	1.75																		
11270	1000	438	1.23	534	2.22																		
13524	1200	487	1.65	572	2.77	723	5.24																
15778	1400	537	2.14	616	3.43	752	6.18	878	9.19														
18032	1600	590	2.76	664	4.22	789	7.26	903	10.52	1012	14.01												
20286	1800	646	3.53	714	5.13	830	8.46	936	12.02	1036	15.75	1133	19.71										
22540	2000	703	4.45	765	6.18	875	9.83	974	13.68	1067	17.69	1157	21.89	1244	26.26								
24794	2200	762	5.56	818	7.40	923	11.38	1016	15.52	1103	19.80	1187	24.28	1268	28.86	1426	38.67						
27048	2400	821	6.85	872	8.79	973	13.14	1060	17.52	1143	22.12	1222	26.86	1299	31.79	1446	41.91	1590	52.90				
29302	2600	881	8.36	928	10.41	1024	15.08	1108	19.80	1186	24.67	1261	29.69	1333	34.82	1473	45.58	1607	56.78	1741	69.00		
31556	2800	942	10.11	986	12.30	1075	17.18	1157	22.28	1231	27.41	1303	32.76	1372	38.21	1504	49.45	1632	61.23	1756	73.52	1880	86.72
33810	3000	1004	12.13	1044	14.41	1127	19.51	1207	24.98	1279	30.46	1347	36.06	1413	41.79	1539	53.58	1661	65.94	1779	78.67	1894	91.92
36064	3200	1065	14.37	1103	16.79	1180	22.07	1258	27.93	1328	33.75	1393	39.61	1456	45.63	1577	57.99	1694	70.96	1806	84.13	1916	97.81
38318	3400	1127	16.92	1163	19.48	1235	24.96	1309	31.08	1378	37.30	1441	43.47	1501	49.73	1618	62.75	1729	76.10	1838	90.09	1943	104.23
42826	3800	1252	22.95	1284	25.76	1348	31.70	1414	38.24	1479	45.14	1540	52.07	1597	58.99	1704	72.99	1808	87.56	1908	102.47	2006	117.90
47334	4200	1377	30.28	1406	33.36	1464	39.80	1523	46.73	1582	54.07	1641	61.80	1696	69.43	1798	84.75	1895	100.48	1989	116.58	2080	133.00

MAXIMUM RPM: Class I — 1261 Class II — 1644 Class III — 2072 Class IV — 2255

BAE DWDI 365

Fan Efficiency Grade = FEG90

Outlet Area - 13.79 ft² Wheel Dia. - 36.50 inches Tip Speed - 9.56 x RPM Max. BHP = 25.56 (RPM÷1000)³

CFM	OV	0.5" SP		1" SP		2" SP		3" SP		4" SP		5" SP		6" SP		8" SP		10" SP		12" SP		14" SP	
		RPM	BHP	RPM	BHP	RPM	BHP	RPM	BHP	RPM	BHP	RPM	BHP	RPM	BHP	RPM	BHP	RPM	BHP	RPM	BHP	RPM	BHP
11032	800	350	1.09																				
13790	1000	387	1.47	477	2.72																		
16548	1200	429	1.95	507	3.33	660	6.78																
19306	1400	474	2.54	544	4.08	673	7.63																
22064	1600	521	3.28	586	5.01	700	8.76	816	13.28														
24822	1800	569	4.15	630	6.09	735	10.13	834	14.68	939	20.03												
27580	2000	619	5.22	675	7.33	774	11.74	864	16.48	954	21.79	1049	27.85										
30338	2200	670	6.48	722	8.78	815	13.54	900	18.60	980	23.98	1063	30.02	1150	36.76								
33096	2400	721	7.93	770	10.44	859	15.62	938	20.93	1013	26.56	1087	32.65	1164	39.37	1321	54.37						
35854	2600	773	9.62	819	12.32	903	17.87	979	23.58	1050	29.50	1119	35.80	1187	42.45	1331	57.54						
38612	2800	826	11.58	868	14.42	949	20.42	1021	26.45	1089	32.73	1154	39.24	1217	46.03	1346	61.05	1483	78.35				
41370	3000	879	13.80	919	16.85	995	23.18	1065	29.66	1130	36.27	1192	43.08	1252	50.14	1370	65.26	1494	82.36	1621	101.35		
44128	3200	932	16.29	970	19.54	1042	26.23	1110	33.16	1172	40.08	1231	47.16	1289	54.57	1400	70.04	1512	87.02	1631	106.08	1748	126.39
46886	3400	986	19.12	1021	22.50	1090	29.60	1155	36.89	1216	44.30	1272	51.63	1327	59.26	1434	75.35	1538	92.49	1646	111.37	1759	132.18
52402	3800	1093	25.69	1126	29.55	1188	37.33	1248	45.38	1305	53.57	1359	61.85	1410	70.13	1508	87.21	1603	105.26	1696	124.27	1791	144.74
57918	4200	1202	33.81	1231	37.96	1289	46.60	1344	55.37	1397	64.30	1448	73.36	1497	82.53	1588	100.79	1677	120.04	1763	140.02	1847	160.76

MAXIMUM RPM: Class I — 1114 Class II — 1452 Class III — 1831 Class IV — 2040

Performance certified is for installation Type B & D: Free or ducted inlet, ducted outlet. Power rating (BHP) does not include transmission

BAE DWDI 402

Fan Efficiency Grade = FEG90

Outlet Area - 16.77 ft² Wheel Dia. - 40.25 inches Tip Speed - 10.54 x RPM Max. BHP = 41.68 (RPM÷1000)³

CFM	OV	0.5" SP		1" SP		2" SP		3" SP		4" SP		5" SP		6" SP		8" SP		10" SP		12" SP		14" SP	
		RPM	BHP	RPM	BHP	RPM	BHP	RPM	BHP	RPM	BHP	RPM	BHP	RPM	BHP	RPM	BHP	RPM	BHP	RPM	BHP	RPM	BHP
13416	800	<u>317</u>	<u>1.33</u>																				
16770	1000	351	1.79	<u>433</u>	<u>3.32</u>																		
20124	1200	389	2.37	460	4.06	599	8.27																
23478	1400	430	3.10	494	4.98	<u>610</u>	<u>9.27</u>																
26832	1600	473	4.00	531	6.08	635	10.66	740	16.16														
30186	1800	516	5.05	571	7.40	667	12.35	<u>756</u>	<u>17.83</u>	852	24.40												
33540	2000	561	6.33	612	8.91	702	14.28	784	20.07	<u>865</u>	<u>26.49</u>	952	33.95										
36894	2200	607	7.85	655	10.69	739	16.46	816	22.61	<u>889</u>	<u>29.19</u>	<u>964</u>	<u>36.51</u>	1043	44.72								
40248	2400	654	9.65	698	12.68	779	19.00	850	25.40	919	32.34	<u>986</u>	<u>39.73</u>	<u>1055</u>	<u>47.80</u>	1198	66.13						
43602	2600	701	11.70	742	14.94	819	21.74	887	28.60	952	35.86	1014	43.44	<u>1076</u>	<u>51.57</u>	1207	69.97						
46956	2800	749	14.08	788	17.59	860	24.78	926	32.18	987	39.73	1047	47.78	1104	56.03	<u>1221</u>	<u>74.31</u>	1345	95.32				
50310	3000	797	16.77	833	20.46	902	28.16	966	36.09	1024	44.01	1081	52.39	1135	60.91	<u>1242</u>	<u>79.30</u>	<u>1355</u>	<u>100.20</u>	1470	123.25		
53664	3200	845	19.79	880	23.79	945	31.90	1006	40.25	1063	48.77	1116	57.30	1169	66.37	1270	85.26	<u>1371</u>	<u>105.79</u>	<u>1479</u>	<u>128.99</u>	1586	153.95
57018	3400	894	23.24	926	27.37	989	36.05	1047	44.80	1103	53.92	1154	62.87	1204	72.18	1301	91.76	<u>1395</u>	<u>112.54</u>	<u>1493</u>	<u>135.53</u>	1595	160.71
63726	3800	992	31.32	1021	35.92	1078	45.48	1132	55.23	1184	65.24	1232	75.14	1279	85.35	<u>1368</u>	<u>106.17</u>	<u>1454</u>	<u>128.09</u>	<u>1538</u>	<u>151.12</u>	1624	175.96
70434	4200	1090	41.11	1117	46.24	1169	56.68	1219	67.37	1267	78.22	1313	89.19	1357	100.25	<u>1441</u>	<u>122.81</u>	<u>1521</u>	<u>146.04</u>	<u>1599</u>	<u>170.35</u>	1675	195.52

MAXIMUM RPM: Class I — 1010 Class II — 1317 Class III — 1661 Class IV — 1850

BAE DWDI 445

Fan Efficiency Grade = FEG90

Outlet Area - 20.49 ft² Wheel Dia. - 44.50 inches Tip Speed - 11.65 x RPM Max. BHP = 68.85 (RPM÷1000)³

CFM	OV	0.5" SP		1" SP		2" SP		3" SP		4" SP		5" SP		6" SP		8" SP		10" SP		12" SP		14" SP	
		RPM	BHP	RPM	BHP	RPM	BHP	RPM	BHP	RPM	BHP	RPM	BHP	RPM	BHP	RPM	BHP	RPM	BHP	RPM	BHP	RPM	BHP
16392	800	<u>287</u>	<u>1.63</u>																				
20490	1000	317	2.17	<u>391</u>	<u>4.04</u>																		
24588	1200	352	2.90	416	4.96	542	10.11																
28686	1400	389	3.79	446	6.06	<u>552</u>	<u>11.34</u>																
32784	1600	427	4.86	481	7.46	<u>574</u>	<u>13.00</u>	669	19.72														
36882	1800	467	6.19	517	9.07	603	15.07	<u>684</u>	<u>21.81</u>	770	29.74												
40980	2000	508	7.77	554	10.92	635	17.46	709	24.52	<u>782</u>	<u>32.33</u>	861	41.47										
45078	2200	549	9.60	592	13.04	669	20.17	738	27.63	<u>804</u>	<u>35.67</u>	<u>872</u>	<u>44.63</u>	943	54.58								
49176	2400	591	11.76	631	15.47	704	23.17	769	31.07	831	39.50	<u>892</u>	<u>48.59</u>	<u>954</u>	<u>58.37</u>	1083	80.68						
53274	2600	634	14.29	671	18.26	741	26.60	803	35.06	861	43.82	917	53.07	<u>973</u>	<u>62.98</u>	1092	85.58						
57372	2800	677	17.18	712	21.44	778	30.31	837	39.26	893	48.61	946	58.22	998	68.37	<u>1104</u>	<u>90.73</u>	1216	116.33				
61470	3000	721	20.51	753	24.97	816	34.44	873	44.01	<u>926</u>	<u>53.76</u>	<u>977</u>	<u>63.89</u>	<u>1027</u>	<u>74.54</u>	<u>1124</u>	<u>97.08</u>	<u>1226</u>	<u>122.58</u>	1329	150.42		
65568	3200	764	24.17	795	28.98	855	39.03	910	49.22	961	59.52	1010	70.17	1057	81.05	<u>1148</u>	<u>104.02</u>	<u>1240</u>	<u>129.27</u>	<u>1338</u>	<u>157.73</u>	1434	187.94
69666	3400	808	28.34	838	33.52	894	43.99	947	54.77	997	65.78	1044	76.90	1089	88.23	1176	111.95	<u>1261</u>	<u>137.31</u>	<u>1350</u>	<u>165.49</u>	1443	196.54
77862	3800	897	38.25	923	43.84	<u>974</u>	<u>55.41</u>	1023	67.34	1070	79.55	1114	91.77	1156	104.10	1237	129.67	<u>1315</u>	<u>156.52</u>	<u>1391</u>	<u>184.67</u>	<u>1469</u>	<u>215.11</u>
86058	4200	986	50.27	1010	56.47	<u>1057</u>	<u>69.22</u>	1102	82.22	1146	95.62	1188	109.14	1228	122.72	<u>1303</u>	<u>149.99</u>	<u>1375</u>	<u>178.23</u>	<u>1446</u>	<u>208.10</u>	<u>1515</u>	<u>238.97</u>

MAXIMUM RPM: Class I — 914 Class II — 1191 Class III — 1502 Class IV — 1673

BAE DWDI 490

Fan Efficiency Grade = FEG90

Outlet Area - 24.85 ft² Wheel Dia. - 49.00 inches Tip Speed - 12.83 x RPM Max. BHP = 111.4 (RPM÷1000)³

CFM	OV	0.5" SP		1" SP		2" SP		3" SP		4" SP		5" SP		6" SP		8" SP		10" SP		12" SP		14" SP	
		RPM	BHP	RPM	BHP	RPM	BHP	RPM	BHP	RPM	BHP	RPM	BHP	RPM	BHP	RPM	BHP	RPM	BHP	RPM	BHP	RPM	BHP
19880	800	261	1.98																				
24850	1000	288	2.64	<u>355</u>	<u>4.90</u>																		
29820	1200	320	3.52	377	5.97	492	12.25																
34790	1400	353	4.58	405	7.34	<u>501</u>	<u>13.73</u>																
39760	1600	388	5.90	437	9.06	<u>521</u>	<u>15.74</u>	608	23.96														
44730	1800	424	7.49	469	10.96	548	18.31	<u>621</u>	<u>26.42</u>	700	36.18												
49700	2000	461	9.40	503	13.23	576	21.09	644	29.75	<u>711</u>	<u>39.34</u>	782	50.31										
54670	2200	499	11.67	538	15.84	607	24.39	670	33.46	<u>730</u>	<u>43.22</u>	<u>792</u>	<u>54.13</u>	857	66.33								
59640	2400	537	14.28	573	18.75	640	28.17	699	37.77	755	47.95	810	58.90	<u>867</u>	<u>70.93</u>	984	97.97						
64610	2600	576	17.35	610	22.20	673	32.26	729	42.46	782	53.14	833	64.39	<u>884</u>	<u>76.46</u>	992	103.86						
69580	2800	615	20.84	647	26.04	707	36.82	761	47.76	811	58.94	860	70.81	907	83.08	<u>1003</u>	<u>110.14</u>	1104	140.94				
74550	3000	655	24.89	684	30.29	741	41.74	793	53.39	<u>841</u>	<u>65.19</u>	<u>888</u>	<u>77.66</u>	<u>933</u>	<u>90.47</u>	<u>1020</u>	<u>117.44</u>	<u>1113</u>	<u>148.47</u>	1207	182.42		
79520	3200	694	29.32	722	35.13	776	47.23	827	59.80	873	72.23	917	85.00	960	98.29	1043	126.28	<u>1127</u>	<u>157.12</u>	<u>1215</u>	<u>191.21</u>	1302	227.73
84490	3400	734	34.39	761	40.63	812	53.35	860	66.39	906	79.90	948	93.20	989	106.98	1068	135.73	<u>1146</u>	<u>166.84</u>	<u>1226</u>	<u>200.66</u>	1310	238.06
94430	3800	814	46.27	839	53.30	885	67.29	930	81.89	972	96.53	1012	111.36	1050	126.27	<u>1123</u>	<u>157.05</u>	<u>1194</u>	<u>189.67</u>	<u>1263</u>	<u>223.77</u>	<u>1334</u>	<u>260.77</u>
104370	4200	895	60.85	917	68.41	960																	

BAE DWDI 542

Fan Efficiency Grade = FEG90

Outlet Area - 30.46 ft² Wheel Dia. - 54.25 inches Tip Speed - 14.20 x RPM Max. BHP = 185.4 (RPM÷1000)³

CFM	OV	0.5" SP		1" SP		2" SP		3" SP		4" SP		5" SP		6" SP		8" SP		10" SP		12" SP		14" SP	
		RPM	BHP	RPM	BHP	RPM	BHP	RPM	BHP	RPM	BHP	RPM	BHP	RPM	BHP	RPM	BHP	RPM	BHP	RPM	BHP	RPM	BHP
24368	800	236	2.43																				
30460	1000	260	3.23	<u>321</u>	<u>6.02</u>																		
36552	1200	289	4.32	341	7.35	444	14.97																
42644	1400	319	5.63	366	9.01	<u>453</u>	<u>16.88</u>																
48736	1600	351	7.27	394	11.05	471	19.34	549	29.34														
54828	1800	383	9.19	424	13.48	495	22.45	561	32.40	632	44.29												
60920	2000	416	11.49	454	16.18	521	25.97	581	36.34	<u>642</u>	<u>48.18</u>	706	61.58										
67012	2200	451	14.33	486	19.43	549	30.01	605	40.98	659	52.89	715	66.26	774	81.28								
73104	2400	485	17.50	518	23.05	578	34.52	631	46.22	682	58.80	<u>731</u>	<u>72.02</u>	<u>783</u>	<u>86.91</u>	889	120.18						
79196	2600	520	21.24	551	27.22	608	39.57	658	51.94	706	65.05	753	79.12	798	93.56	896	127.31						
85288	2800	556	25.62	584	31.86	638	45.01	687	58.46	732	72.09	776	86.53	819	101.75	<u>906</u>	<u>135.04</u>	998	173.19				
91380	3000	591	30.42	618	37.17	669	51.10	717	65.65	760	80.03	802	95.17	842	110.62	<u>922</u>	<u>144.29</u>	1005	181.83	1090	223.48		
97472	3200	627	35.97	653	43.24	701	57.92	747	73.31	789	88.70	828	104.10	867	120.44	942	154.76	<u>1018</u>	<u>192.62</u>	<u>1098</u>	<u>234.75</u>	1176	279.15
103564	3400	663	42.16	687	49.72	733	65.28	777	81.45	818	97.82	856	114.14	893	131.00	965	166.56	<u>1035</u>	<u>204.45</u>	<u>1108</u>	<u>246.39</u>	1183	291.64
115748	3800	736	56.89	757	65.13	799	82.37	840	100.38	878	118.35	914	136.47	949	155.08	1015	192.89	1079	232.84	<u>1141</u>	<u>274.45</u>	<u>1205</u>	<u>319.72</u>
127932	4200	809	74.76	828	83.78	867	102.86	904	122.21	940	142.08	974	161.95	1007	182.22	1069	223.02	1128	264.97	1186	309.18	1243	355.41

MAXIMUM RPM: Class I — 750 Class II — 977 Class III — 1232 Class IV — 1373

BAE DWDI 600

Fan Efficiency Grade = FEG90

Outlet Area - 37.26 ft² Wheel Dia. - 60.00 inches Tip Speed - 15.71 x RPM Max. BHP = 306.8 (RPM÷1000)³

CFM	OV	0.5" SP		1" SP		2" SP		3" SP		4" SP		5" SP		6" SP		8" SP		10" SP		12" SP		14" SP	
		RPM	BHP	RPM	BHP	RPM	BHP	RPM	BHP	RPM	BHP	RPM	BHP	RPM	BHP	RPM	BHP	RPM	BHP	RPM	BHP	RPM	BHP
29808	800	213	2.96																				
37260	1000	235	3.94	<u>290</u>	<u>7.35</u>																		
44712	1200	261	5.26	308	8.96	402	18.39																
52164	1400	289	6.92	331	11.03	410	20.71																
59616	1600	317	8.86	356	13.48	426	23.69	496	35.81														
67068	1800	346	11.21	383	16.44	447	27.35	507	39.58	571	54.05												
74520	2000	377	14.15	411	19.87	471	31.75	526	44.62	<u>580</u>	<u>58.79</u>	638	75.20										
81972	2200	407	17.43	439	23.70	496	36.63	547	50.13	596	64.75	<u>647</u>	<u>81.24</u>	700	99.50								
89424	2400	439	21.48	468	28.13	522	42.08	570	56.39	617	72.05	661	88.11	708	106.33	803	146.57						
96876	2600	470	25.95	498	33.26	549	48.21	595	63.55	639	79.82	680	96.42	<u>722</u>	<u>114.67</u>	810	155.65						
104328	2800	502	31.20	528	38.96	577	55.10	621	71.45	662	88.24	702	106.02	741	124.71	<u>819</u>	<u>165.08</u>	902	211.60				
111780	3000	535	37.34	559	45.52	605	62.54	648	80.20	<u>687</u>	<u>97.83</u>	725	116.34	762	135.68	<u>833</u>	<u>176.09</u>	909	222.65	986	273.75		
119232	3200	567	44.01	590	52.78	634	70.91	675	89.51	713	108.32	749	127.51	784	147.38	852	189.48	<u>920</u>	<u>235.28</u>	992	286.48	1064	342.14
126684	3400	600	51.72	621	60.78	663	79.94	703	99.83	740	119.85	774	139.64	807	159.99	872	203.38	<u>936</u>	<u>250.23</u>	<u>1001</u>	<u>300.66</u>	<u>1070</u>	<u>357.12</u>
141588	3800	665	69.44	685	79.85	723	100.99	759	122.54	794	144.84	827	167.30	858	189.66	917	235.38	975	284.29	<u>1032</u>	<u>336.06</u>	<u>1089</u>	<u>390.53</u>
156492	4200	731	91.27	749	102.63	784	125.86	817	149.29	850	173.85	881	198.33	911	223.26	966	272.33	1020	324.21	1072	377.83	1124	434.88

MAXIMUM RPM: Class I — 678 Class II — 883 Class III — 1114 Class IV — 1241

BAE DWDI 660

Fan Efficiency Grade = FEG90

Outlet Area - 45.08 ft² Wheel Dia. - 66.00 inches Tip Speed - 17.28 x RPM Max. BHP = 494.1 (RPM÷1000)³

CFM	OV	0.5" SP		1" SP		2" SP		3" SP		4" SP		5" SP		6" SP		8" SP		10" SP		12" SP		14" SP	
		RPM	BHP	RPM	BHP	RPM	BHP	RPM	BHP	RPM	BHP	RPM	BHP	RPM	BHP	RPM	BHP	RPM	BHP	RPM	BHP	RPM	BHP
36064	800	194	3.60																				
45080	1000	214	4.80	<u>264</u>	<u>8.93</u>																		
54096	1200	237	6.34	280	10.84	365	22.17																
63112	1400	262	8.31	301	13.36	<u>372</u>	<u>24.91</u>																
72128	1600	288	10.71	324	16.37	<u>387</u>	<u>28.60</u>	451	43.35														
81144	1800	315	13.62	348	19.86	407	33.25	461	47.92	519	65.37												
90160	2000	342	17.01	373	23.92	428	38.37	478	53.93	<u>528</u>	<u>71.42</u>	580	90.99										
99176	2200	370	21.09	399	28.65	451	44.34	498	60.92	<u>542</u>	<u>78.42</u>	<u>588</u>	<u>98.21</u>	636	120.19								
108192	2400	399	25.97	426	34.17	475	51.07	519	68.55	560	86.75	601	106.66	644	128.87	730	177.34						
117208	2600	428	31.56	453	40.32	499	58.30	541	76.93	581	96.63	619	117.14	656	138.52	736	188.06						
126224	2800	457	37.91	480	47.14	525	66.84	565	86.66	602	106.87	638	128.17	673	150.47	<u>745</u>	<u>200.10</u>	820	256.02				
135240	3000	486	45.08	508	55.02	550	75.68	589	97.00	625	118.63	659	140.71	692	163.65	<u>758</u>	<u>213.68</u>	826	269.05	896	330.82		
144256	3200	515	53.12	536	63.73	576	85.64	614	108.50	648	130.96	681	154.35	713	178.53	<u>774</u>	<u>228.79</u>	836	284.31	902	346.84	967	413.62
153272	3400	545	62.42	565	73.72	603	96.87	639	120.75	672	144.55	704	169.23	734	193.88	793	246.34	<u>851</u>	<u>302.88</u>	<u>910</u>	<u>363.79</u>	973	432.46
171304	3800	605	84.22	623	96.75	657	122.05	690	148.28	722	175.39	751	201.77	780	229.50	834	285.19	887	344.74	<u>938</u>	<u>406.39</u>	<u>990</u>	<u>472.53</u>
189336	4200	665	110.67	681	124.23	713	152.47	743	180.85	773	210.58	801	240.07	828	269.98	878	329.32	927	391.95	975	457.82	<u>1021</u>	<u>524.94</u>

MAXIMUM RPM: Class I — 616 Class II — 803 Class III — 1013 Class IV — 1128

BAE DWDI 730

Fan Efficiency Grade = FEG90

Outlet Area - 55.15 ft² Wheel Dia. - 73.00 inches Tip Speed - 19.11 x RPM Max. BHP = 817.9 (RPM÷1000)³

CFM	OV	0.5" SP		1" SP		2" SP		3" SP		4" SP		5" SP		6" SP		8" SP		10" SP		12" SP		14" SP	
		RPM	BHP	RPM	BHP	RPM	BHP	RPM	BHP	RPM	BHP	RPM	BHP	RPM	BHP	RPM	BHP	RPM	BHP	RPM	BHP	RPM	BHP
44120	800	175	4.38																				
55150	1000	193	5.82	238	10.83																		
66180	1200	215	7.84	253	13.24	330	27.12																
77210	1400	237	10.18	272	16.32	337	30.66																
88240	1600	260	13.04	293	20.04	350	35.02	408	53.14														
99270	1800	285	16.70	315	24.38	368	40.69	417	58.71	470	80.36												
110300	2000	310	20.97	338	29.46	387	46.95	432	65.90	477	87.18	525	111.71										
121330	2200	335	25.91	361	35.13	408	54.35	450	74.41	490	95.92	532	120.41	575	147.02								
132360	2400	361	31.84	385	41.75	429	62.28	469	83.74	507	106.57	543	130.22	582	157.46	660	216.96						
143390	2600	387	38.62	409	49.12	452	71.72	489	94.04	525	118.02	559	142.81	593	169.38	666	230.66						
154420	2800	413	46.32	434	57.69	474	81.43	511	106.13	544	130.55	577	156.95	609	184.57	673	244.19	741	312.75				
165450	3000	439	55.00	459	67.19	497	92.44	533	118.99	565	145.08	596	172.31	626	200.55	685	261.05	747	329.41	810	404.60		
176480	3200	466	65.14	485	78.16	521	104.91	555	132.65	586	160.33	615	188.19	644	217.77	700	280.16	756	348.05	816	425.08	874	505.53
187510	3400	493	76.48	511	90.28	545	118.39	577	147.16	608	177.22	636	206.54	664	237.59	717	301.42	769	369.96	823	445.47	879	527.80
209570	3800	547	103.04	563	118.20	594	149.32	624	181.54	652	213.81	679	246.86	705	280.51	754	348.86	802	421.83	848	497.07	895	577.95
231630	4200	601	135.23	616	152.20	644	185.98	672	221.48	698	256.65	724	293.46	748	329.48	794	403.17	838	479.31	881	559.11	923	642.00

MAXIMUM RPM: Class I — 557 Class II — 726 Class III — 916 Class IV — 1020

BAE DWDI 807

Fan Efficiency Grade = FEG90

Outlet Area - 67.48 ft² Wheel Dia. - 80.75 inches Tip Speed - 21.14 x RPM Max. BHP = 1355 (RPM÷1000)³

CFM	OV	0.5" SP		1" SP		2" SP		3" SP		4" SP		5" SP		6" SP		8" SP		10" SP		12" SP		14" SP	
		RPM	BHP	RPM	BHP	RPM	BHP	RPM	BHP	RPM	BHP	RPM	BHP	RPM	BHP	RPM	BHP	RPM	BHP	RPM	BHP	RPM	BHP
53984	800	158	5.34																				
67480	1000	175	7.19	216	13.41																		
80976	1200	194	9.54	229	16.26	298	33.07																
94472	1400	214	12.41	246	19.99	304	37.27																
107968	1600	235	15.94	265	24.56	316	42.68	369	65.10														
121464	1800	257	20.28	285	29.90	332	49.48	377	71.85	425	98.41												
134960	2000	280	25.60	305	35.85	350	57.52	391	80.92	431	106.50	474	136.16										
148456	2200	303	31.75	326	42.85	368	66.05	407	91.17	443	117.99	481	147.39	520	180.09								
161952	2400	326	38.83	348	51.07	388	76.30	424	102.47	458	130.11	491	159.45	526	192.51	597	265.93						
175448	2600	349	46.91	370	60.23	408	87.36	442	115.02	475	144.76	506	175.42	536	207.15	602	282.12						
188944	2800	373	56.51	392	70.40	429	99.99	462	129.90	492	159.94	522	192.46	550	225.16	609	299.66	670	382.87				
202440	3000	397	67.37	415	82.24	450	113.64	481	144.83	511	177.75	539	211.08	566	245.50	619	319.02	675	402.52	733	496.56		
215936	3200	421	79.55	438	95.34	471	128.37	502	162.57	530	196.44	556	230.30	583	267.57	633	343.10	684	426.91	737	518.68	790	618.29
229432	3400	445	93.16	462	110.50	493	145.13	522	180.46	549	216.08	575	252.78	600	290.33	648	368.50	695	452.30	744	545.04	795	646.69
256424	3800	494	125.70	509	144.66	537	182.71	564	222.00	590	262.39	614	302.30	637	342.69	682	427.55	725	516.09	767	609.13	810	709.54
283416	4200	543	165.17	557	186.36	582	227.34	607	270.33	631	314.03	654	358.24	677	404.57	718	493.74	758	587.48	797	685.56	835	787.20

MAXIMUM RPM: Class I — 504 Class II — 656 Class III — 828 Class IV — 922

BAE DWDI 890

Fan Efficiency Grade = FEG90

Outlet Area - 81.98 ft² Wheel Dia. - 89.00 inches Tip Speed - 23.30 x RPM Max. BHP = 2203 (RPM÷1000)³

CFM	OV	0.5" SP		1" SP		2" SP		3" SP		4" SP		5" SP		6" SP		8" SP		10" SP		12" SP		14" SP	
		RPM	BHP	RPM	BHP	RPM	BHP	RPM	BHP	RPM	BHP	RPM	BHP	RPM	BHP	RPM	BHP	RPM	BHP	RPM	BHP	RPM	BHP
65584	800	144	6.57																				
81980	1000	159	8.77	196	16.29																		
98376	1200	176	11.58	208	19.82	271	40.46																
114772	1400	194	15.04	223	24.22	276	45.37																
131168	1600	214	19.58	240	29.67	287	52.01	335	79.23														
147564	1800	234	24.90	258	36.08	302	60.57	342	87.25	385	118.98												
163960	2000	254	31.08	277	43.68	317	69.51	354	97.68	391	129.33	430	165.34										
180356	2200	275	38.61	296	52.16	334	80.31	369	110.51	402	142.67	436	178.54	472	219.05								
196752	2400	296	47.28	316	62.18	352	92.66	385	124.77	416	158.57	446	194.37	477	233.50	542	323.66						
213148	2600	317	57.18	336	73.36	370	105.97	401	139.69	431	175.89	459	212.96	487	252.71	546	342.35						
229544	2800	339	69.00	356	85.76	389	121.24	419	157.60	446	193.78	473	232.88	499	273.49	552	362.94	608	465.37				
245940	3000	360	81.70	377	100.27	408	137.75	437	176.64	463	215.04	489	256.35	513	297.29	562	388.33	613	490.35	665	603.09		
262336	3200	382	96.66	398	116.34	427	155.57	455	196.87	481	238.82	505	280.65	529	325.12	574	416.09	620	517.12	669	631.00	717	751.83
278732	3400	404	113.37	419	134.06	447	175.94	474	219.75	499	263.90	522	307.60	544	351.93	588	447.80	631	550.55	675	662.02	721	784.61
311524	3800	448	152.48	462	175.93	487	221.65	512	270.12	535	318.19	557	367.05	578	416.39	619	519.92	658	627.52	696	740.27	734	858.72
344316	4200	493	201.06	505	225.88	528	276.08	551	328.87	573	382.45	594	436.54	614	490.87	651	598.56	688	714.47	723	832.38	757	954.02

MAXIMUM RPM: Class I — 457 Class II — 596 Class III — 751 Class IV — 837

Performance certified is for installation Type B & D: Free or ducted inlet, ducted outlet. Power rating (BHP) does not include transmission losses. Performance ratings do not include the effects of appurtenances (accessories).

Legend:

Class I = Regular face to left of Class II Class III = *Italic face* to right of Class II
 Class II = Regular face in light shaded area Class IV = *Italic face* in darker shaded area
 Max. Static Efficiency = Underlined

BAE DWDI 982

Outlet Area - 99.90 ft² Wheel Dia. - 98.25 inches Tip Speed - 25.72 x RPM

Fan Efficiency Grade = FEG90
Max. BHP = 3611 (RPM÷1000)³

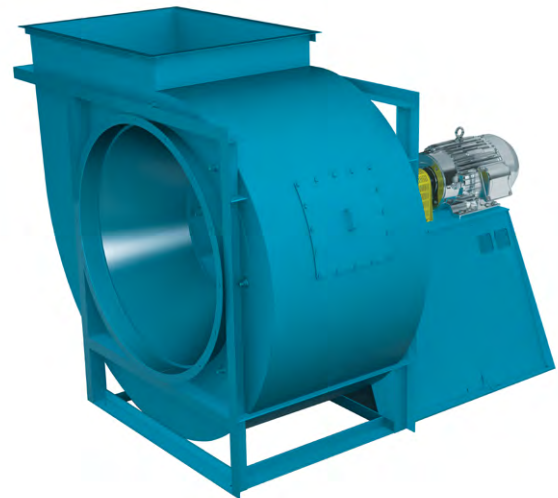
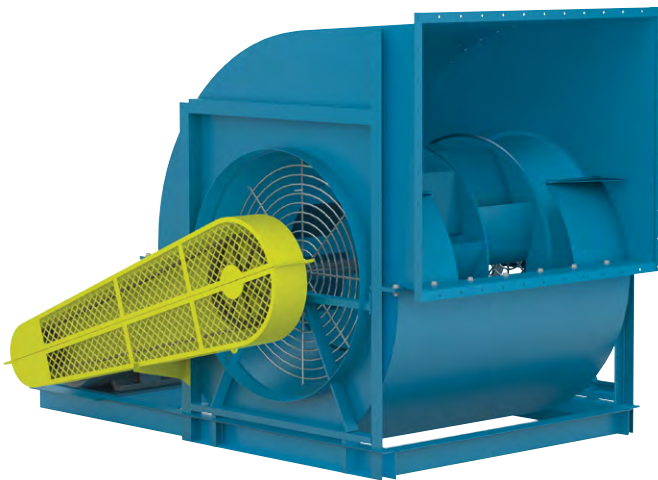
CFM	OV	0.5" SP		1" SP		2" SP		3" SP		4" SP		5" SP		6" SP		8" SP		10" SP		12" SP		14" SP	
		RPM	BHP	RPM	BHP	RPM	BHP	RPM	BHP	RPM	BHP	RPM	BHP	RPM	BHP	RPM	BHP	RPM	BHP	RPM	BHP	RPM	BHP
79920	800	<u>130</u>	<u>7.92</u>																				
99900	1000	144	10.68	<u>177</u>	<u>19.67</u>																		
119880	1200	159	14.00	188	24.00	245	49.01																
139860	1400	176	18.41	202	29.52	<u>250</u>	<u>55.28</u>																
159840	1600	194	23.92	218	36.45	<u>260</u>	<u>63.40</u>	303	96.11														
179820	1800	212	30.36	234	44.14	273	73.36	<u>310</u>	<u>106.53</u>	349	145.31												
199800	2000	230	37.83	251	53.28	287	84.57	321	119.40	<u>354</u>	<u>157.36</u>	390	202.23										
219780	2200	249	46.99	268	63.47	303	98.31	334	134.36	<u>364</u>	<u>173.65</u>	<u>395</u>	<u>217.65</u>	427	265.90								
239760	2400	268	57.53	286	75.59	319	113.07	348	151.07	376	191.97	<u>404</u>	<u>236.85</u>	<u>432</u>	<u>284.38</u>	491	394.49						
259740	2600	287	69.57	304	89.08	336	130.11	364	171.30	390	213.65	416	259.92	<u>441</u>	<u>307.65</u>	495	418.23						
279720	2800	307	84.02	323	105.02	352	147.28	379	191.23	404	236.14	429	284.87	452	333.25	<u>500</u>	<u>442.22</u>						
299700	3000	326	99.47	341	121.66	370	168.44	396	215.50	420	263.18	443	312.49	465	363.00	<u>509</u>	<u>472.99</u>						
319680	3200	346	117.76	360	141.16	387	189.88	412	239.64	435	289.62	457	341.01	479	395.73	<u>520</u>	<u>507.19</u>						
339660	3400	366	138.20	379	162.66	405	214.55	429	267.11	452	321.57	473	375.21	493	429.46	533	546.82						
379620	3800	406	186.06	418	213.63	441	269.84	464	329.63	485	388.66	505	448.49	524	508.66								
419580	4200	446	244.06	457	274.46	479	337.96	499	400.48	519	465.94	538	531.78										

MAXIMUM RPM: Class I — 414 Class II — 539

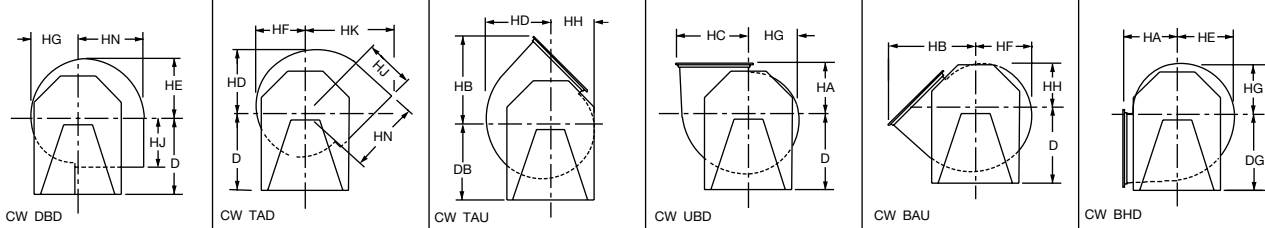
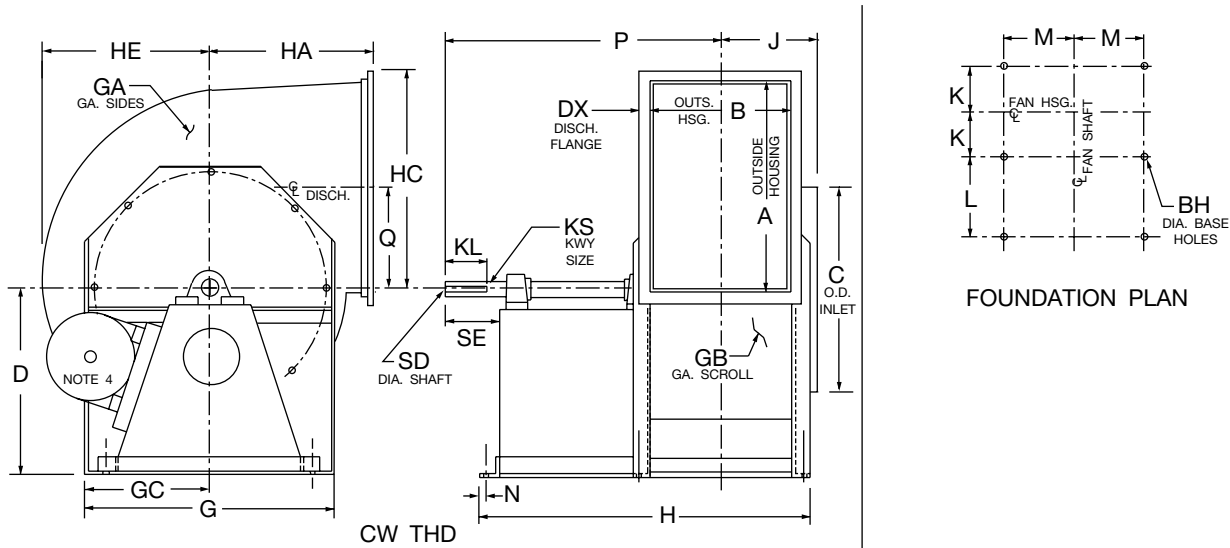
Performance certified is for installation Type B & D: Free or ducted inlet, ducted outlet.
Power rating (BHP) does not include transmission losses.
Performance ratings do not include the effects of appurtenances (accessories).

Legend:

Class I = Regular face to left of Class II Class III = *Italic face* to right of Class II
Class II = Regular face in light shaded area Class IV = *Italic face* in darker shaded area
Max. Static Efficiency = Underlined



Arrangement 9, SWSI, Rotatable Class I & II



Notes:

1. Discharge angles are included on all discharges except 'TAD' and 'DBD.'
2. "CW" rotation is shown. "CCW" rotation is similar but opposite.
3. * Shaft diameter is increased to 1.187 on Hi-Temp fans that require shaft coolers.
4. Standard Arr. 9 motor location is on the left for "CW" rotation units and on the right for "CCW" rotation. Dimension "FR" equals max. motor frame.

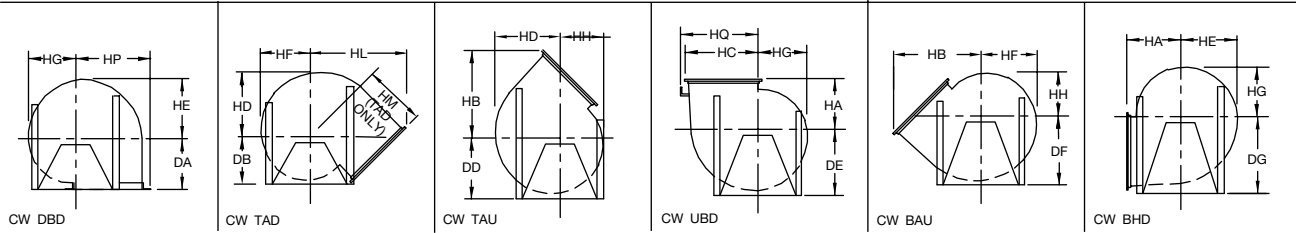
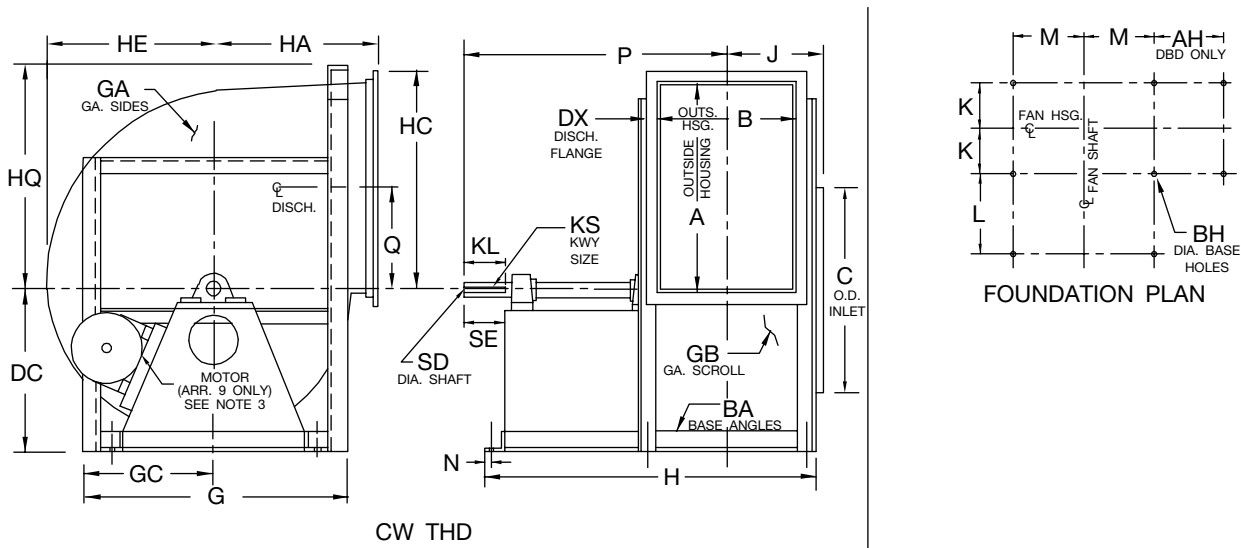
SIZE	A	B	BH	C	D	DX	FR	G	GA	GB	GC	H	HA	HB	HC	HD	HE	HF	HG
122	13.00	9.75	0.44	13.25	14.50	1.00	145T	16.00	14	14	8.00	27.00	9.75	16.75	13.94	11.19	10.56	9.94	9.31
135	14.31	10.81	0.44	14.56	15.75	1.00	184T	17.50	14	14	8.75	30.63	10.75	18.38	15.25	12.31	11.63	10.94	10.25
150	15.88	11.94	0.44	16.19	17.75	1.00	184T	19.00	14	14	9.50	31.75	11.94	20.31	16.81	13.75	12.88	12.13	11.38
165	17.44	13.19	0.44	17.75	19.00	1.00	215T	20.50	14	14	10.25	36.13	13.13	22.25	18.38	15.06	14.13	13.31	12.50
182	19.38	14.56	0.44	19.50	21.00	1.25	254T	22.50	12	14	11.25	41.88	14.50	24.81	20.56	16.69	15.69	14.75	13.81
200	21.19	15.94	0.56	21.38	22.75	1.25	254T	25.00	12	14	12.50	43.25	15.81	27.00	22.38	18.38	17.31	16.25	15.91
222	23.56	17.69	0.56	23.75	25.50	1.25	256T	27.25	12	14	13.63	45.25	17.69	30.00	24.75	20.44	19.06	17.94	16.81
245	25.94	19.44	0.56	26.06	28.00	1.25	256T	29.75	12	14	14.88	47.00	19.50	33.00	27.13	22.38	21.00	19.75	18.50
270	28.63	21.38	0.56	28.50	30.50	1.50	284T	33.00	12	14	16.50	51.75	21.44	36.44	30.06	24.69	23.19	21.81	20.44

SIZE	HH	HJ	HK	HN	J	K	KL	KS		L	M	N	P	Q	SD		SE
								CL I	CL II						CL I	CL II	
122	8.69	9.25	15.69	12.94	7.44	5.75	2.50	0.25x0.13	0.25x0.13	14.50	6.75	0.50	22.50	6.44	1.000	1.000*	3.25
135	9.56	10.25	17.31	14.25	8.00	6.31	2.50	0.25x0.13	0.25x0.13	17.00	7.38	0.50	25.56	7.13	1.000	1.000*	3.25
150	10.63	11.44	19.25	15.81	9.06	6.88	3.00	0.25x0.13	0.25x0.13	17.00	8.25	0.50	26.63	7.88	1.000	1.187	3.75
165	11.69	12.63	21.19	17.38	9.69	7.50	3.00	0.25x0.13	0.25x0.13	19.88	8.75	0.63	29.75	8.69	1.000*	1.188	3.75
182	12.88	14.00	23.56	19.31	10.88	8.19	3.50	0.25x0.13	0.38x0.19	24.25	9.63	0.63	35.31	9.63	1.187	1.437	4.25
200	14.13	15.31	25.75	21.13	11.56	8.88	3.50	0.38x0.19	0.38x0.19	24.25	10.63	0.63	36.00	10.56	1.437	1.437	4.25
222	15.69	17.19	28.75	23.50	12.44	10.00	4.00	0.38x0.19	0.38x0.19	23.50	11.75	0.88	37.13	11.75	1.437	1.437	4.75
245	17.25	19.00	31.75	25.88	13.31	10.88	4.50	0.38x0.19	0.38x0.19	23.50	12.88	0.88	38.50	12.94	1.437	1.687	5.25
270	19.06	20.94	35.00	28.56	14.25	11.81	4.50	0.38x0.19	0.38x0.19	26.38	14.13	0.88	42.31	14.25	1.687	1.687	5.25

AC9239F

DIMENSIONS NOT TO BE USED FOR CONSTRUCTION. CERTIFIED DRAWINGS AVAILABLE UPON REQUEST.

Arrangement 1 & 9, SWSI, Non-Rotatable Class I & II



Notes:

1. Discharge angles are included on all discharges.
2. "CW" rotation is shown. "CCW" rotation is similar but opposite.
3. Standard Arr. 9 motor location is on the left for "CW" rotation units and on the right for "CCW" rotation. Dimension "FR" equals max. motor frame.
4. For fans with inlet box at 90 degrees or 270 degrees, use "BAU" discharge dimension "DF" for centerline height.

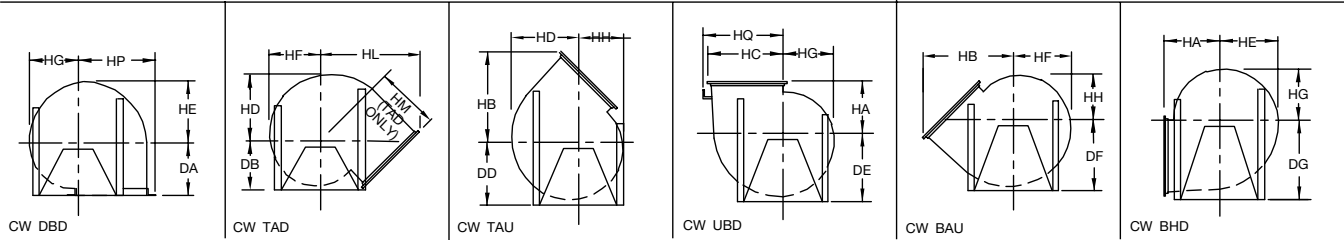
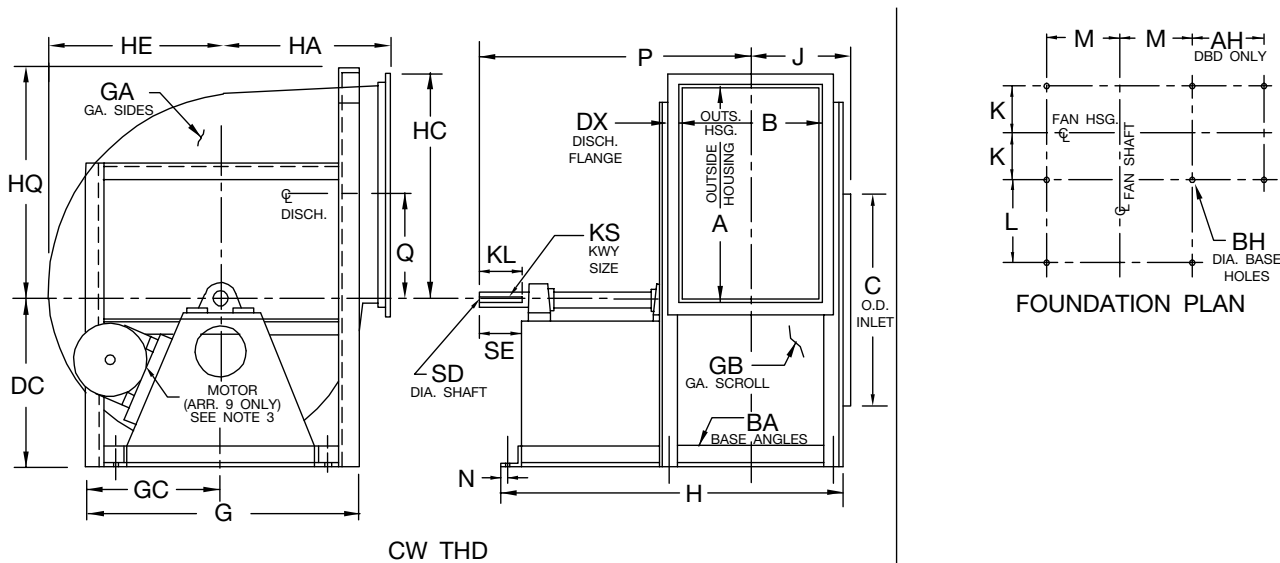
SIZE	A	AH	B	BA	BH	C	DA (Note 4)	DB (Note 4)	DC (Note 4)	DD (Note 4)	DE (Note 4)	DF	DG	DX	FR ARR. 9	G
300	31.81	17.25	23.81	2.5x2.5	0.56	31.63	26.75	26.75	26.75	26.75	28.50	30.00	35.50	1.50	286T	41.00
330	35.13	19.06	26.06	2.5x2.5	0.56	34.75	30.00	30.00	30.00	30.00	31.00	32.75	39.00	1.50	324T	44.00
365	38.69	21.13	28.88	2.5x2.5	0.56	38.50	29.00	30.50	29.50	31.50	33.50	35.50	41.00	1.50	324T	48.00
402	42.63	23.31	31.81	3.0x3.0	0.81	42.44	32.00	32.50	33.00	35.25	37.00	39.50	45.50	1.50	326T	52.50
445	47.13	25.81	35.19	3.0x3.0	0.81	46.88	35.38	36.25	35.50	38.50	40.00	43.25	50.00	1.50	364T	56.50
490	51.94	28.13	38.63	3.0x3.0	0.81	51.63	39.00	38.75	39.00	42.25	44.00	47.50	54.75	2.00	364T	61.50
542	57.38	31.81	42.88	3.0x4.0	0.81	57.13	43.06	42.25	43.50	46.50	49.00	52.25	60.25	2.00	404T	67.00
600	63.50	34.94	47.31	3.0x4.0	0.81	63.13	47.69	45.00	48.00	51.25	54.00	57.50	66.25	2.00	404T	73.00
660	69.69	39.13	52.19	3.5x5.0	0.81	69.38	52.44	49.50	52.50	55.75	59.00	63.00	73.25	2.50	405T	80.00
730	77.25	42.63	57.56	3.5x5.0	0.81	76.75	58.00	54.25	57.00	61.75	64.50	69.50	80.75	2.50	405T	88.00

SIZE	GA	GB	GC	H	HA	HB	HC	HD	HE	HF	HG	HH	HL	HM	HP	HQ
300	10	12	20.50	55.75	23.81	40.31	33.25	27.44	25.75	24.25	22.75	21.25	47.13	33.44	34.25	
330	10	12	22.00	60.63	26.25	44.44	36.56	30.13	28.38	26.69	25.00	23.31	51.00	35.56	37.56	
365	10	12	24.00	63.38	29.00	48.88	40.13	33.50	31.50	29.63	27.75	25.88	55.50	38.38	41.13	
402	10	12	26.25	67.88	32.00	53.81	44.06	37.00	34.69	32.63	30.56	28.50	60.50	41.56	45.56	
445	10	12	28.25	72.88	35.38	59.38	48.56	40.88	38.25	36.00	33.75	31.50	65.69	44.38	50.06	
490	10	12	30.75	76.63	39.00	65.69	53.88	44.88	42.19	39.69	37.19	34.69	72.31	48.44	54.88	
542	10	12	33.50	87.50	43.06	72.38	59.31	49.75	46.69	43.94	41.19	38.44	78.88	52.31	61.31	59.75
600	10	12	36.50	91.75	47.69	80.00	65.44	55.00	51.69	48.63	45.56	42.50	86.25	56.56	67.44	65.75
660	10	12	40.00	101.25	52.44	88.06	72.13	60.38	56.81	53.38	49.94	46.50	94.81	62.00	74.63	72.25
730	10	10	44.00	109.63	58.00	97.31	79.63	66.94	62.88	59.13	55.38	51.63	104.19	67.69	82.13	79.75

AC9238E

DIMENSIONS NOT TO BE USED FOR CONSTRUCTION. CERTIFIED DRAWINGS AVAILABLE UPON REQUEST.

Arrangement 1 & 9, SWSI, Non-Rotatable
Class I & II (cont'd.)



Notes:

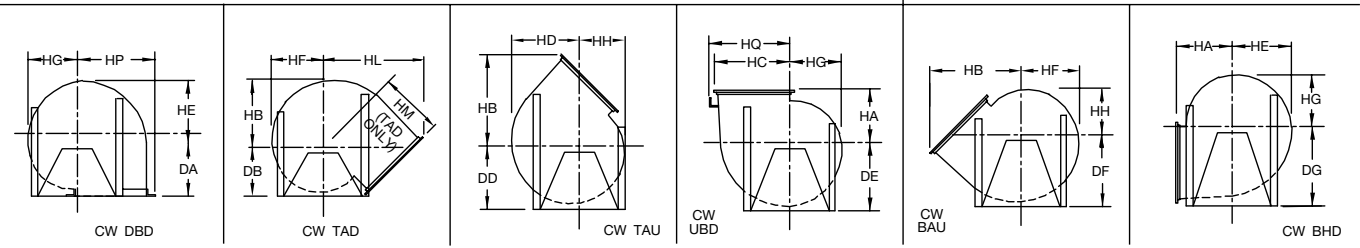
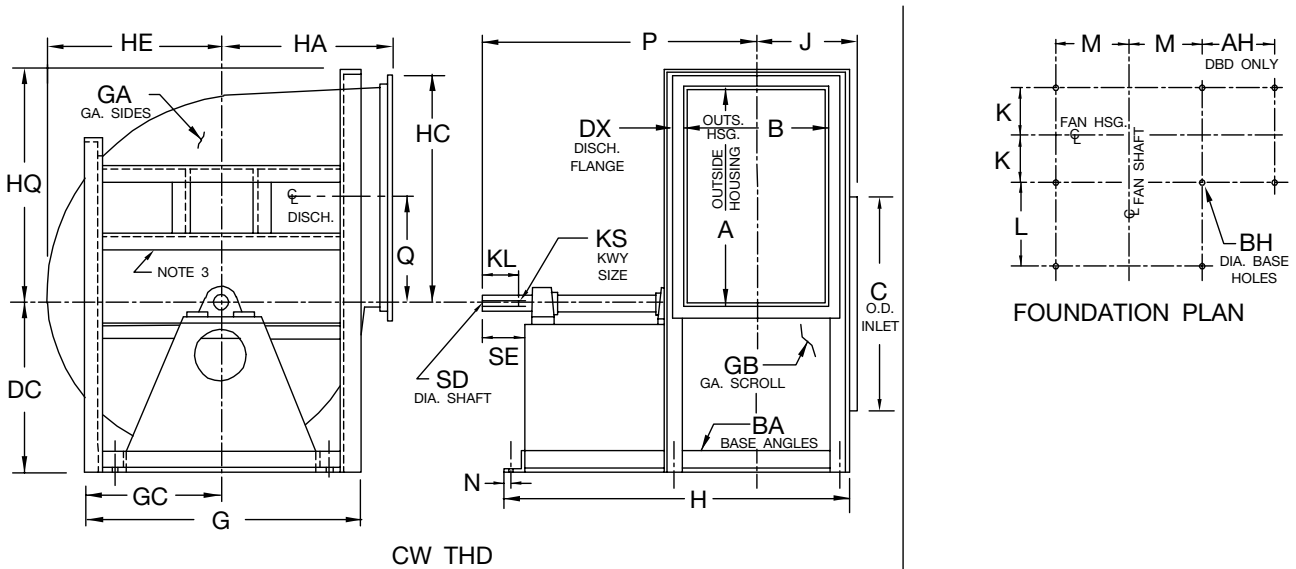
1. Discharge angles are included on all discharges.
2. "CW" rotation is shown. "CCW" rotation is similar but opposite.
3. Standard Arr. 9 motor location is on the left for "CW" rotation units and on the right for "CCW" rotation. Dimension "FR" equals max. motor frame.
4. For fans with inlet box at 90 degrees or 270 degrees, use "BAU" discharge dimension "DF" for centerline height.

SIZE	J	K	KL	KS		L	M	N	P	Q	SD		SE
				CL I	CL II						CL I	CL II	
300	15.50	13.31	5.00	0.50x0.25	0.50x0.25	26.88	15.88	1.13	44.56	15.81	1.937	1.937	5.75
330	16.63	14.44	5.00	0.50x0.25	0.50x0.25	29.50	17.38	1.13	48.31	17.50	1.937	2.187	5.75
365	18.00	15.81	5.00	0.50x0.25	0.63x0.31	29.50	18.88	1.13	49.69	19.25	1.937	2.437	5.75
402	20.00	17.56	5.00	0.50x0.25	0.63x0.31	30.00	20.88	1.38	51.69	21.25	2.187	2.437	5.75
445	21.69	19.25	5.50	0.63x0.31	0.63x0.31	31.63	22.88	1.38	55.50	23.50	2.437	2.687	6.25
490	23.38	20.94	5.50	0.63x0.31	0.75x0.38	32.00	25.38	1.38	57.56	25.88	2.687	2.937	6.25
542	26.50	23.56	6.00	0.75x0.38	0.88x0.44	36.63	27.63	1.88	64.81	28.63	2.937	3.437	6.75
600	28.75	25.81	6.00	0.75x0.38	0.88x0.44	36.38	30.63	1.88	66.81	31.69	2.937	3.437	6.75
660	32.19	28.75	7.00	0.88x0.44	1.0x0.50	39.00	33.13	2.38	72.88	34.75	3.437	3.937	7.75
730	34.94	31.44	7.50	0.88x0.44	1.0x0.50	42.00	37.13	2.38	79.06	38.50	3.437	3.937	8.25

AC9238E

DIMENSIONS NOT TO BE USED FOR CONSTRUCTION. CERTIFIED DRAWINGS AVAILABLE UPON REQUEST.

Arrangement 1, SWSI, Non-Rotatable Class I & II



Notes:

1. Discharge angles are included on all discharges.
2. "CW" rotation is shown. "CCW" rotation is similar but opposite.
3. Frame supports vary in construction by size and by discharge position.
4. For fans with inlet box at 90 degrees or 270 degrees, use "BAU" discharge dimension "DF" for centerline height.

SIZE	A	AH	B	BA	BH	C	DA (Note 4)	DB (Note 4)	DC (Note 4)	DD (Note 4)	DE (Note 4)	DF	DG	DX	G
807	85.44	47.06	63.63	3.50 x 5.00	0.81	84.88	64.19	59.50	63.00	67.50	72.00	76.50	89.00	2.50	95.50
890	94.13	50.25	70.13	3.50 x 5.00	0.81	93.38	70.00	65.50	69.25	73.75	78.25	85.00	97.75	2.50	106.50
982	104.00	53.75	77.50	4.00 x 6.00	0.81	103.50	77.75	71.50	76.50	80.00	86.50	92.00	108.25	2.50	122.00

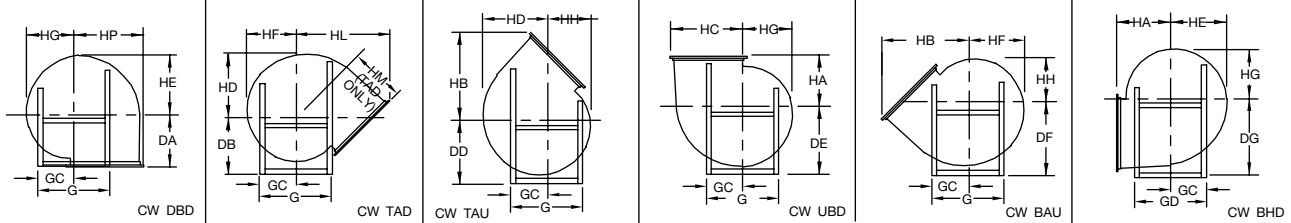
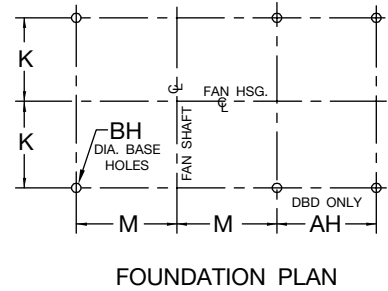
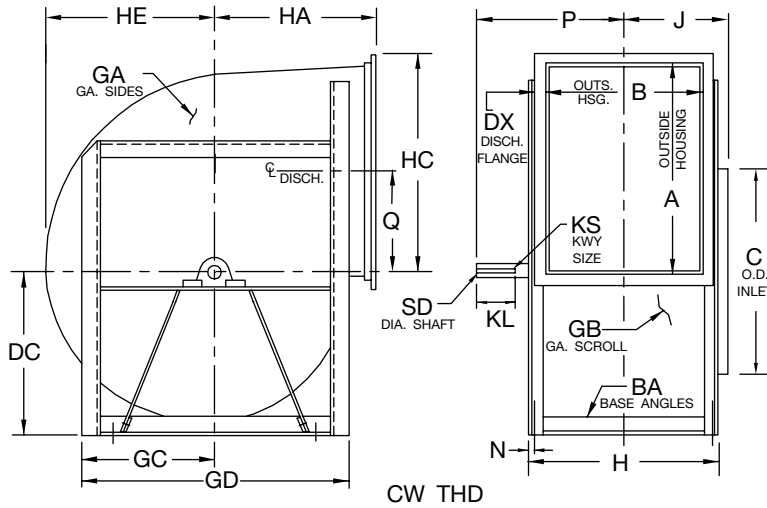
SIZE	GA	GB	GC	H	HA	HB	HC	HD	HE	HF	HG	HH	HL	HM	HP	HQ
807	10	10	47.75	118.63	64.19	107.50	87.81	74.00	69.50	65.38	61.25	57.13	113.69	73.00	90.31	87.75
890	7	10	53.25	128.13	70.00	117.75	96.50	81.56	76.63	72.06	67.50	62.94	125.38	80.75	99.00	96.50
982	7	7	61.00	140.63	77.75	130.13	106.31	90.06	84.63	79.56	74.50	69.44	140.06	91.75	109.75	106.75

SIZE	J	K	KL	KS		L	M	N	P	Q	SD		SE
				CL I	CL II						CL I	CL II	
807	37.81	34.44	8.00	1.00x0.50	1.00x0.50	45.00	40.88	2.38	85.81	42.63	3.937	4.437	9.00
890	41.06	37.69	8.00	1.00x0.50	1.25x0.63	48.00	46.38	2.38	92.06	46.94	3.937	4.937	9.00
982	45.75	41.88	8.00	1.25x0.63	1.25x0.63	51.13	53.13	2.88	98.88	51.81	4.937	5.437	9.00

AC9259G

DIMENSIONS NOT TO BE USED FOR CONSTRUCTION. CERTIFIED DRAWINGS AVAILABLE UPON REQUEST.

Arrangement 3, SWSI, Non-Rotatable Class I & II



Notes:

1. Discharge angles are included on all discharges.
2. Inlet bearing bar support is removable.
3. "CW" rotation is shown. "CCW" rotation is similar but opposite.
4. Bearing bar supports may extend beyond base angles. See drawing AC1000851 for dimensions if space limitations are required for mounting fan.

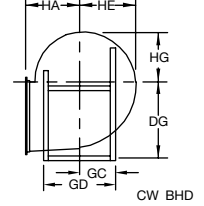
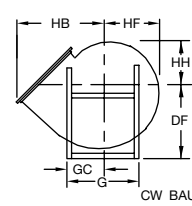
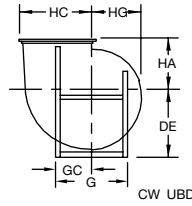
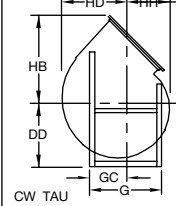
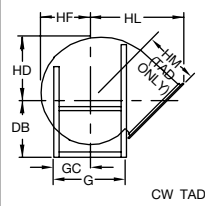
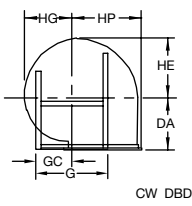
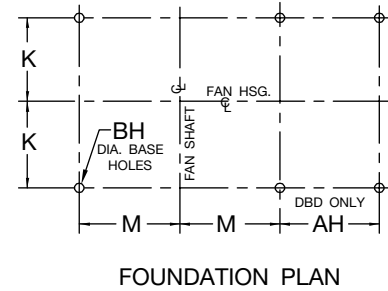
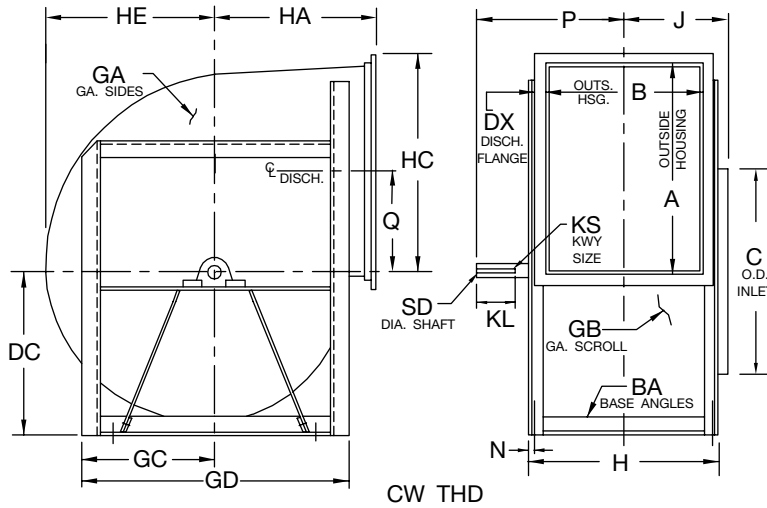
SIZE	A	AH	B	BA	BH	C	DA	DB	DC	DD	DE	DF	DG	DX	G
122	13.00	7.06	9.75	1.50 x 1.50	0.44	13.25	9.75	15.25	10.25	11.00	11.50	12.25	15.00	1.00	19.75
135	14.31	7.75	10.81	1.50 x 1.50	0.44	14.56	10.75	16.00	11.25	12.00	12.75	13.25	16.25	1.00	21.00
150	15.88	8.44	11.94	1.50 x 1.50	0.44	16.19	11.94	16.75	12.25	13.25	14.00	14.75	18.00	1.00	22.75
165	17.44	9.75	13.19	1.50 x 2.00	0.44	17.75	13.13	17.50	13.50	14.50	15.25	16.25	19.50	1.00	24.25
182	19.38	10.81	14.56	1.50 x 2.00	0.44	19.50	14.50	18.50	14.75	15.75	16.75	17.75	21.50	1.25	26.00
200	21.19	11.63	15.94	1.50 x 2.00	0.56	21.38	15.81	19.50	16.25	17.25	18.25	19.25	23.50	1.25	28.00
222	23.56	12.88	17.69	2.00 x 2.00	0.56	23.75	17.69	21.00	18.00	19.25	20.50	22.00	26.00	1.25	31.25
245	25.94	14.13	19.44	2.00 x 2.00	0.56	26.06	19.50	22.00	20.00	21.25	22.50	24.00	28.25	1.25	33.50
270	28.63	15.56	21.38	2.00 x 2.00	0.56	28.50	21.44	23.50	22.00	23.50	24.75	26.25	31.00	1.50	36.00

SIZE	GA	GB	GC	GD	H	HA	HB	HC	HD	HE	HF	HG	HH	HL	HM	HP
122	14	14	9.88	18.50	12.75	9.75	16.75	13.94	11.19	10.56	9.94	9.31	8.69	22.50	17.88	14.44
135	14	14	10.50	19.75	13.88	10.75	18.38	15.25	12.31	11.63	10.94	10.25	9.56	24.06	18.75	15.75
150	14	14	11.38	21.50	15.00	11.94	20.31	16.81	13.75	12.88	12.13	11.38	10.63	26.00	20.00	17.31
165	14	14	12.13	24.25	17.25	13.13	22.25	18.38	15.06	14.13	13.31	12.50	11.69	27.88	21.06	19.38
182	12	14	13.00	26.00	18.63	14.50	24.81	20.56	16.69	15.69	14.75	13.81	12.88	30.44	22.50	21.31
200	12	14	14.00	28.00	20.00	15.81	27.00	22.38	18.38	17.31	16.25	15.19	14.13	32.75	23.94	23.13
222	12	14	15.63	31.25	21.75	17.69	30.00	24.75	20.44	19.06	17.94	16.81	15.69	36.06	26.25	25.50
245	12	14	16.75	33.50	23.50	19.50	33.00	27.13	22.38	21.00	19.75	18.50	17.25	38.88	27.81	27.88
270	12	14	18.00	36.00	25.38	21.44	36.44	30.06	24.69	23.19	21.81	20.44	19.06	42.38	29.88	30.56

AC9834G

DIMENSIONS NOT TO BE USED FOR CONSTRUCTION. CERTIFIED DRAWINGS AVAILABLE UPON REQUEST.

Arrangement 3, SWSI, Non-Rotatable Class I & II (cont'd.)



Notes:

1. Discharge angles are included on all discharges.
2. Inlet bearing bar support is removable.
3. "CW" rotation is shown. "CCW" rotation is similar but opposite.
4. Bearing bar supports may extend beyond base angles. See drawing AC1000851 for dimensions if space limitations are required for mounting fan.

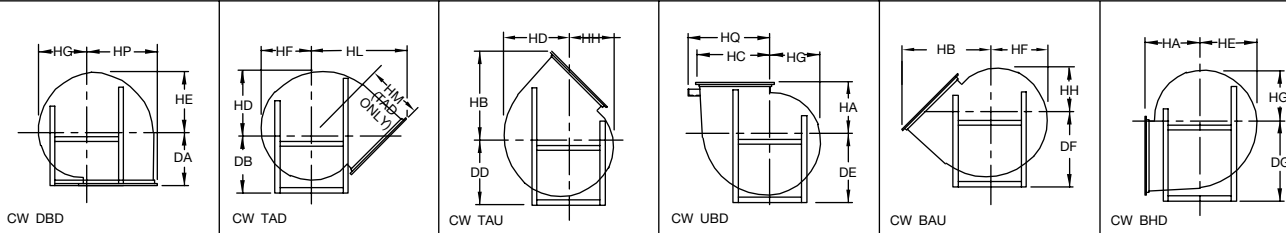
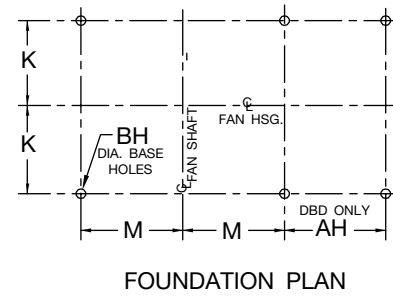
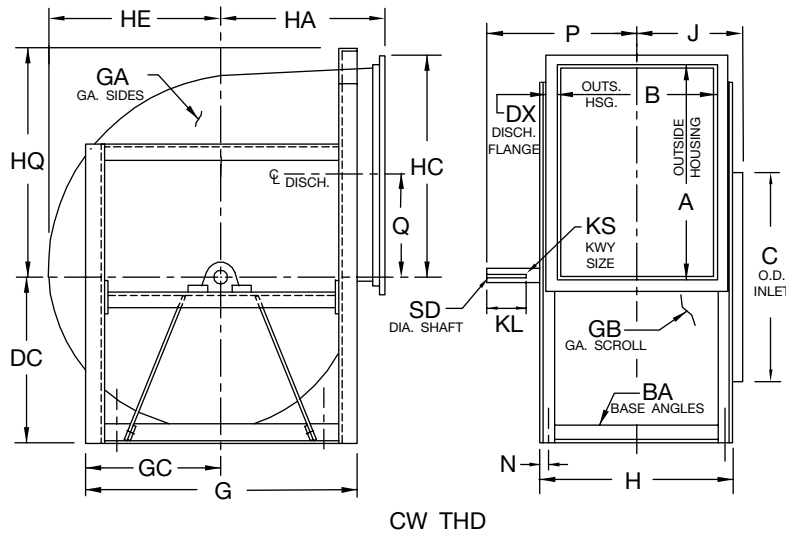
SIZE	J	K	KL	KS		M	N	P		Q	SD	
				CL I	CL II			CL I	CL II		CL I	CL II
122	7.44	5.75	2.50	0.25 x 0.13	0.25 x 0.13	6.75	0.63	10.00	10.00	6.44	1.000	1.000
135	8.00	6.31	2.50	0.25 x 0.13	0.25 x 0.13	7.38	0.63	10.56	10.56	7.13	1.000	1.000
150	9.06	6.88	3.00	0.25 x 0.13	0.25 x 0.13	8.25	0.63	11.63	12.00	7.88	1.000	1.187
165	9.69	7.75	3.00	0.25 x 0.13	0.25 x 0.13	8.75	0.88	12.25	12.63	8.69	1.000	1.187
182	10.88	8.44	3.50	0.25 x 0.13	0.38 x 0.19	9.63	0.88	13.81	14.63	9.63	1.187	1.437
200	11.56	9.13	3.50	0.38 x 0.19	0.38 x 0.19	10.63	0.88	15.31	15.31	10.56	1.437	1.437
222	12.44	10.00	4.00	0.38 x 0.19	0.38 x 0.19	11.75	0.88	16.69	16.69	11.75	1.437	1.437
245	13.31	10.88	4.50	0.38 x 0.19	0.38 x 0.19	12.88	0.88	18.06	18.44	12.94	1.437	1.687
270	14.25	11.81	4.50	0.38 x 0.19	0.38 x 0.19	14.13	0.88	19.00	19.38	14.25	1.437	1.687

AC9834G

DIMENSIONS NOT TO BE USED FOR CONSTRUCTION. CERTIFIED DRAWINGS AVAILABLE UPON REQUEST.



Arrangement 3, SWSI, Non-Rotatable Class I & II



Notes:

1. Discharge angles are included on all discharges.
2. Inlet bearing bar support is removable.
3. "CW" rotation is shown. "CCW" rotation is similar but opposite.
4. Frame supports vary in construction by size and by discharge position.
5. Bearing bar supports may extend beyond base angles. See drawing AC1000851 for dimensions if space limitations are required for mounting fan.

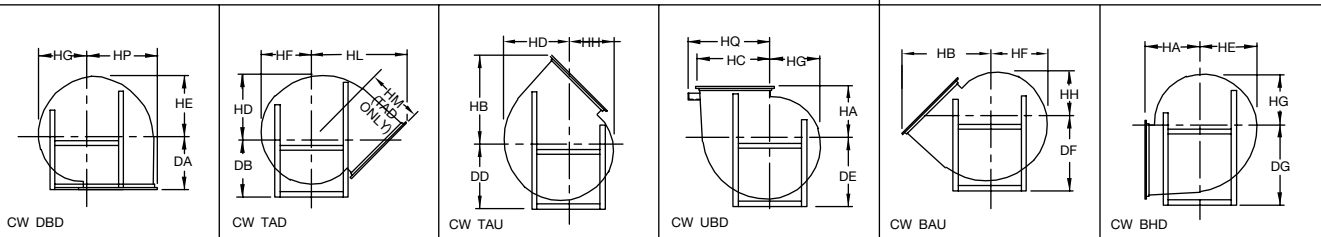
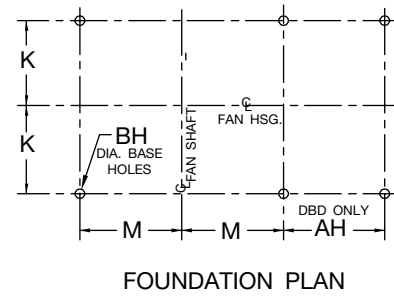
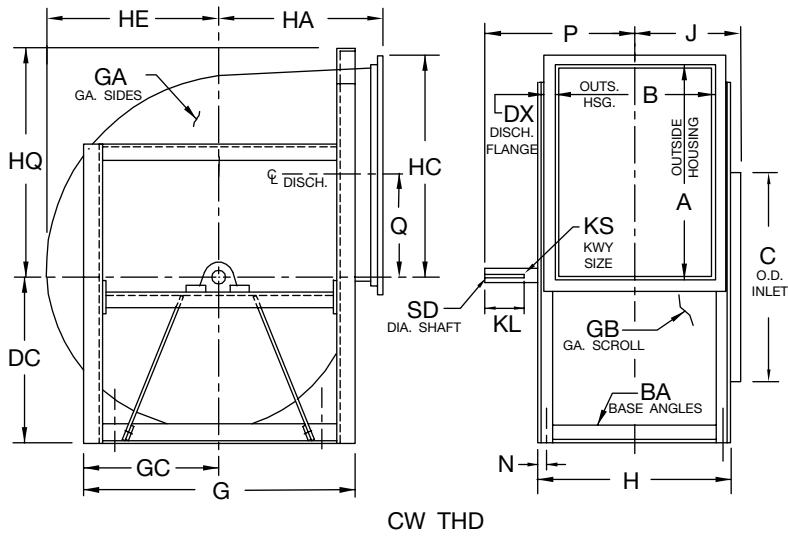
SIZE	A	AH	B	BA	BH	C	DA	DB	DC	DD	DE	DF	DG	DX	G
300	31.81	17.25	23.81	2.50 x 2.50	0.56	31.63	23.81	26.00	24.50	26.00	28.50	29.50	34.25	1.50	41.00
330	35.13	19.06	26.06	2.50 x 2.50	0.56	34.75	26.25	27.75	27.00	28.50	31.00	32.25	37.25	1.50	44.00
365	38.69	21.13	28.88	2.50 x 2.50	0.56	38.50	29.00	30.50	29.50	31.50	33.50	35.50	41.00	1.50	48.00
402	42.63	23.31	31.81	3.00 x 3.00	0.81	42.44	32.00	32.50	33.00	35.25	37.00	39.50	45.50	1.50	52.50
445	47.13	25.81	35.19	3.00 x 3.00	0.81	46.88	35.38	36.25	35.50	38.50	40.00	43.25	50.00	1.50	56.50
490	51.94	28.13	38.63	3.00 x 3.00	0.81	51.63	39.00	38.75	39.00	42.25	44.00	47.50	54.75	2.00	61.50
542	57.38	31.81	42.88	3.00 x 4.00	0.81	57.13	43.06	42.25	43.50	46.50	49.00	52.25	60.25	2.00	67.00
600	63.50	34.94	47.31	3.00 x 4.00	0.81	63.13	47.69	45.00	48.00	51.25	54.00	57.50	66.25	2.00	73.00
660	69.69	39.13	52.19	3.50 x 5.00	0.81	69.38	52.44	49.50	52.50	55.75	59.00	63.00	73.25	2.50	80.00
730	77.25	42.63	57.56	3.50 x 5.00	0.81	76.75	58.00	54.25	57.00	61.75	64.50	69.50	80.75	2.50	88.00

SIZE	GA	GB	GC	H	HA	HB	HC	HD	HE	HF	HG	HH	HL	HM	HP	HQ
300	10	12	20.50	28.88	23.81	40.31	33.25	27.44	25.75	24.25	22.75	21.25	47.13	33.44	34.25	
330	10	12	22.00	31.13	26.25	44.44	36.56	30.13	28.38	26.69	25.00	23.31	51.00	35.56	37.56	
365	10	12	24.00	33.88	29.00	48.88	40.13	33.50	31.50	29.63	27.75	25.88	55.50	38.38	41.13	
402	10	12	26.25	37.88	32.00	53.81	44.06	37.00	34.69	32.63	30.56	28.50	60.50	41.56	45.56	
445	10	12	28.25	41.25	35.38	59.38	48.56	40.88	38.25	36.00	33.75	31.50	65.59	44.38	50.06	
490	10	12	30.75	44.63	39.00	65.69	53.88	44.88	42.19	39.69	37.19	34.69	72.31	48.44	54.88	
542	10	12	33.50	50.88	43.06	72.38	59.31	49.75	46.69	43.94	41.19	38.44	78.88	52.31	61.31	59.75
600	10	12	36.50	55.38	47.69	80.00	65.44	55.00	51.69	48.63	45.56	42.50	86.25	56.56	67.44	65.75
660	10	12	40.00	62.25	52.44	88.06	72.13	60.38	56.81	53.38	49.94	46.50	94.81	62.00	74.63	72.25
730	10	10	44.00	67.63	58.00	97.31	79.63	66.94	62.88	59.13	55.38	51.63	104.19	67.69	82.13	79.75

AC9241F

DIMENSIONS NOT TO BE USED FOR CONSTRUCTION. CERTIFIED DRAWINGS AVAILABLE UPON REQUEST.

Arrangement 3, SWSI, Non-Rotatable Class I & II (cont'd.)



Notes:

1. Discharge angles are included on all discharges.
2. Inlet bearing bar support is removable.
3. "CW" rotation is shown. "CCW" rotation is similar but opposite.
4. Frame supports vary in construction by size and by discharge position.
5. Bearing bar supports may extend beyond base angles. See drawing AC1000851 for dimensions if space limitations are required for mounting fan.

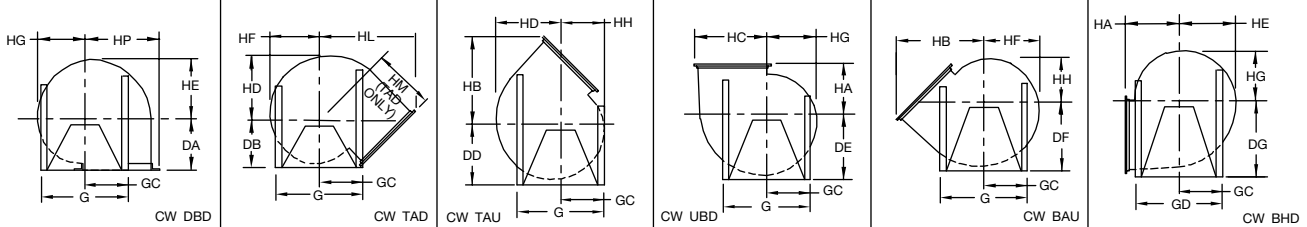
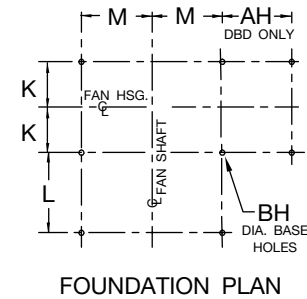
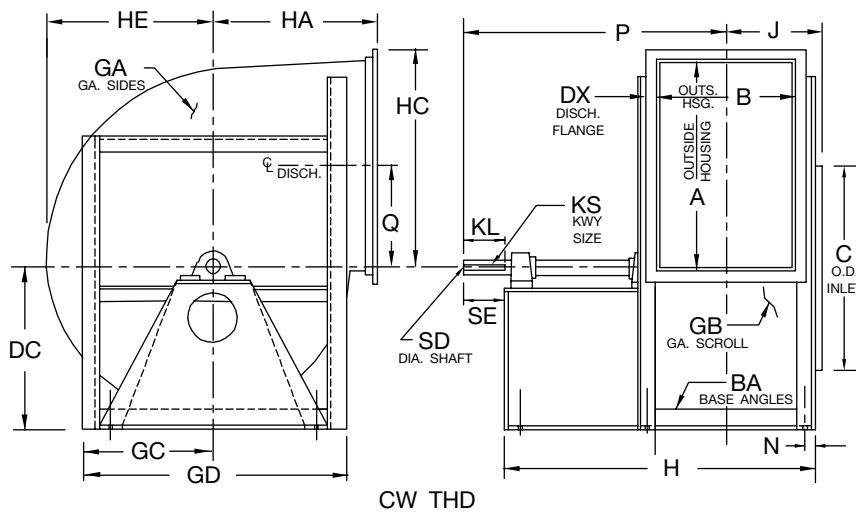
SIZE	J	K	KL	KS		M	N	P		Q	SD	
				CL I	CL II			CL I	CL II		CL I	CL II
300	16.00	13.31	5.00	0.38 x 0.19	0.50 x 0.25	15.88	1.13	21.13	21.25	15.81	1.687	1.937
330	17.13	14.44	5.00	0.38 x 0.19	0.50 x 0.25	17.38	1.13	22.25	22.88	17.50	1.687	2.187
365	19.06	15.81	5.00	0.50 x 0.25	0.63 x 0.31	18.88	1.13	23.75	24.63	19.25	1.937	2.437
402	20.50	17.56	5.00	0.50 x 0.25	0.63 x 0.31	20.88	1.38	25.25	26.13	21.25	1.937	2.437
445	22.69	19.25	5.50	0.50 x 0.25	0.63 x 0.31	22.88	1.38	27.44	29.19	23.50	1.937	2.687
490	24.44	20.94	5.50	0.50 x 0.25	0.63 x 0.31	25.38	1.38	30.25	30.88	25.88	2.187	2.687
542	26.56	23.56	6.00	0.63 x 0.31	0.75 x 0.38	27.63	1.88	33.38	33.75	28.63	2.437	2.937
600	29.75	25.81	6.00	0.75 x 0.38	0.88 x 0.44	30.63	1.88	35.50	36.88	31.69	2.937	3.437
660	32.19	28.75	7.00	0.75 x 0.38	1.00 x 0.50	33.13	2.38	39.88	40.81	34.75	2.937	3.937
730	34.88	31.44	7.50	0.88 x 0.44	1.00 x 0.50	37.13	2.38	43.50	44.00	38.50	3.437	3.937

AC9241F

DIMENSIONS NOT TO BE USED FOR CONSTRUCTION. CERTIFIED DRAWINGS AVAILABLE UPON REQUEST.



**Arrangement 1, SWSI, Non-Rotatable
Class III**



Notes:

1. Discharge angles are included on all discharges.
2. "CW" rotation is shown. "CCW" rotation is similar but opposite.
3. For fans size 182-330 (except TAD 182-200) with inlet box at 90 degrees or 270 degrees, use "BAU" discharge dimension "DF" for centerline height.

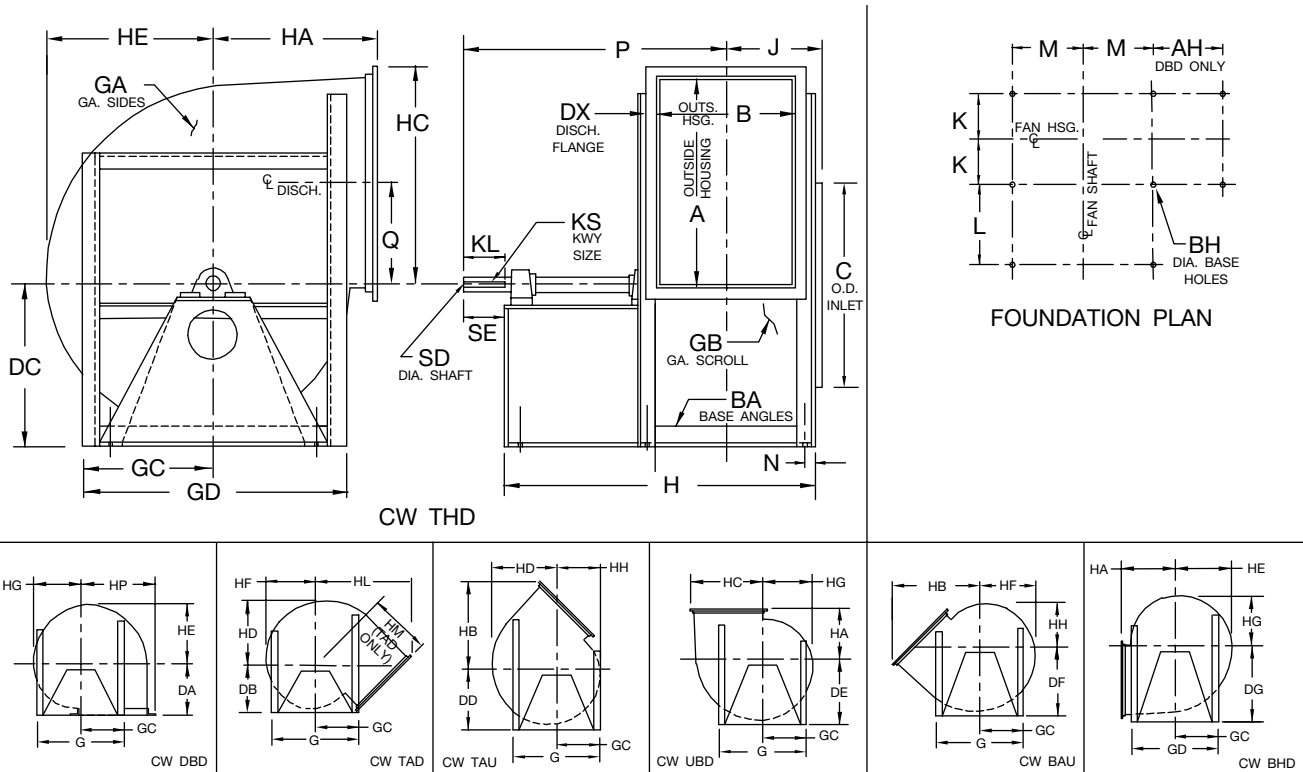
SIZE	A	AH	B	BA	BH	C	DA (Note 3)	DB (Note 3)	DC (Note 3)	DD (Note 3)	DE (Note 3)	DF	DG	DX	G
122	13.13	7.63	9.88	1.50 x 2.00	0.44	13.25	9.75	15.25	10.25	11.00	11.50	12.25	15.50	1.25	19.75
135	14.44	8.31	10.94	1.50 x 2.00	0.44	14.56	10.75	16.00	11.25	12.00	12.75	13.25	16.75	1.25	21.00
150	16.00	9.00	12.06	1.50 x 2.00	0.44	16.19	11.94	16.75	12.25	13.25	14.00	14.75	18.50	1.25	22.75
165	17.56	9.81	13.31	1.50 x 2.00	0.44	17.75	13.13	17.50	13.50	14.50	15.25	16.25	19.50	1.25	24.25
182	19.50	10.88	14.63	2.00 x 2.00	0.56	19.50	14.50	18.50	14.75	15.75	16.75	17.75	22.00	1.25	27.00
200	21.31	11.69	16.00	2.00 x 2.00	0.56	21.38	15.81	19.50	16.25	17.25	18.25	19.25	24.00	1.25	29.00
222	23.69	13.44	17.75	2.50 x 2.50	0.56	23.75	17.69	21.00	18.00	19.25	20.50	22.00	26.50	1.25	32.25
245	26.19	14.63	19.63	2.50 x 2.50	0.56	26.06	19.50	22.00	20.00	21.25	22.50	24.00	28.75	1.50	34.50
270	28.88	16.19	21.56	2.50 x 2.50	0.56	28.50	21.44	23.50	22.00	23.50	24.75	26.25	31.50	1.50	37.00
300	32.00	17.81	23.94	3.00 x 3.00	0.81	31.63	23.81	26.00	24.50	26.00	27.50	29.50	34.75	1.50	42.00
330	35.31	19.63	26.19	3.00 x 3.00	0.81	34.75	26.25	27.75	27.00	28.50	30.00	32.25	37.75	1.50	45.00

SIZE	GA	GB	GC	GD	H	HA	HB	HC	HD	HE	HF	HG	HH	HL	HM	HP
122	10	10	9.88	18.63	22.38	9.75	17.00	14.25	11.25	10.63	10.00	9.38	8.75	22.94	18.19	15.00
135	10	10	10.50	19.88	24.00	10.75	18.63	15.56	12.38	11.69	11.00	10.31	9.63	24.50	19.06	16.31
150	10	10	11.38	21.63	26.63	11.94	20.56	17.13	13.81	12.94	12.19	11.44	10.69	26.50	20.31	17.88
165	10	10	12.13	23.13	27.88	13.13	22.50	18.69	15.13	14.19	13.38	12.56	11.75	28.31	21.38	19.44
182	10	10	13.50	27.00	30.13	14.50	24.81	20.63	16.75	15.75	14.81	13.88	12.94	31.06	23.31	21.38
200	10	10	14.50	29.00	32.50	15.81	27.06	22.44	18.38	17.38	16.31	15.25	14.19	33.31	24.69	23.19
222	10	10	16.13	32.25	37.25	17.69	30.06	24.81	20.50	19.13	18.00	16.88	15.75	36.69	27.06	26.06
245	7	7	17.25	34.50	40.63	19.50	33.25	27.50	22.50	21.13	19.88	18.63	17.38	38.88	27.50	28.50
270	7	7	18.50	37.00	44.63	21.44	36.50	30.19	24.81	23.31	21.94	20.56	19.19	42.06	29.25	31.19
300	7	7	21.00	42.00	49.50	23.81	40.38	33.31	27.50	25.81	24.31	22.81	21.13	46.75	32.81	34.81
330	7	7	22.50	45.00	53.75	26.25	44.44	36.63	30.19	28.44	26.75	25.06	23.38	50.63	34.94	38.13

AC9244D

DIMENSIONS NOT TO BE USED FOR CONSTRUCTION. CERTIFIED DRAWINGS AVAILABLE UPON REQUEST.

Arrangement 1, SWSI, Non-Rotatable Class III (cont'd.)



Notes:

1. Discharge angles are included on all discharges.
2. "CW" rotation is shown. "CCW" rotation is similar but opposite.
3. For fans size 182-330 (except TAD 182-200) with inlet box at 90 degrees or 270 degrees, use "BAU" discharge dimension "DF" for centerline height.

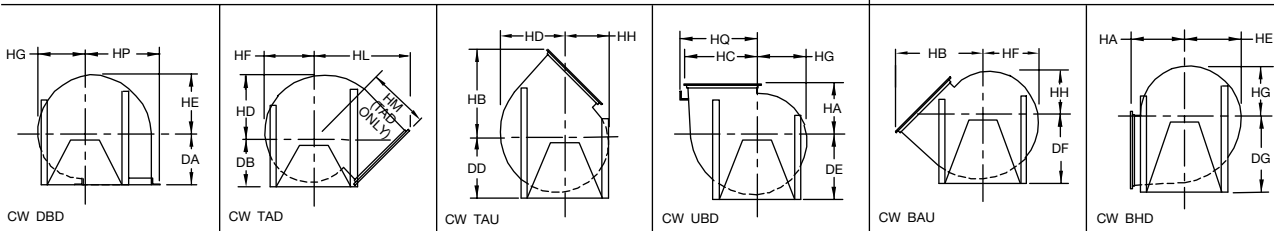
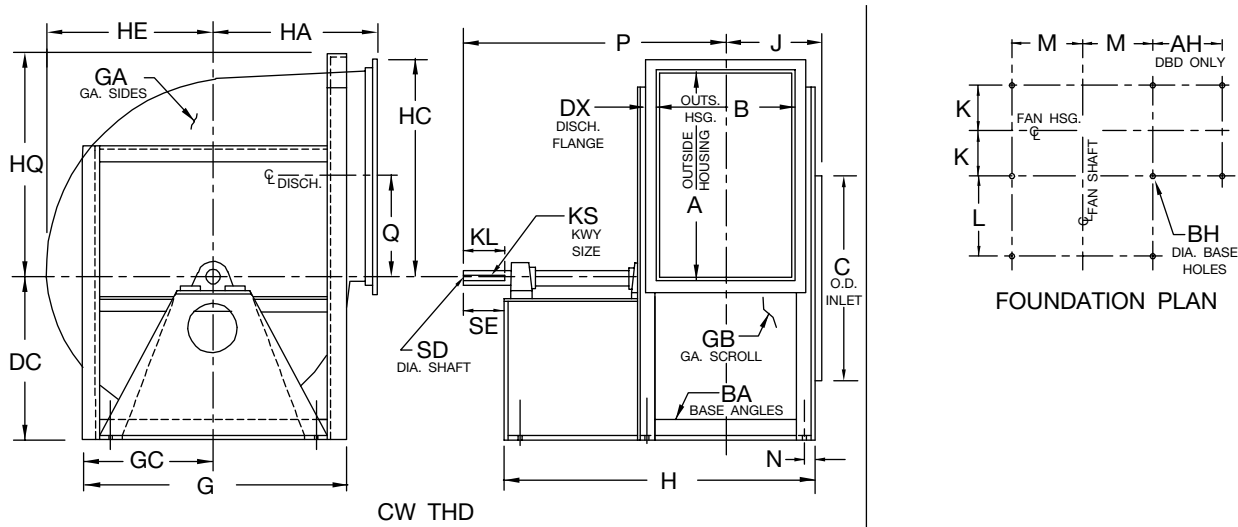
SIZE	J	K	KL	KS	L	M	N	P	Q	SD	SE
122	7.94	6.06	3.00	0.38 x 0.19	7.50	6.50	0.88	18.94	6.44	1.437	3.50
135	8.50	6.63	3.00	0.38 x 0.19	8.00	7.13	0.88	20.00	7.13	1.437	3.50
150	9.06	7.19	3.50	0.38 x 0.19	9.50	8.00	0.88	22.56	7.88	1.687	4.00
165	9.69	7.81	3.50	0.38 x 0.19	9.50	8.75	0.88	23.19	8.69	1.687	4.00
182	10.31	8.44	4.50	0.38 x 0.19	10.50	9.63	0.88	25.81	9.63	1.687	5.00
200	11.00	9.13	4.50	0.50 x 0.25	11.50	10.63	0.88	27.50	10.56	1.937	5.00
222	12.38	10.25	5.00	0.50 x 0.25	13.75	11.50	1.13	31.38	11.75	1.937	5.50
245	13.31	11.19	6.00	0.50 x 0.25	15.25	12.63	1.13	34.81	12.94	2.187	6.50
270	14.31	12.19	6.00	0.50 x 0.25	17.25	13.88	1.13	37.81	14.25	2.187	6.50
300	16.00	13.63	7.00	0.63 x 0.31	19.00	15.63	1.38	42.25	15.81	2.437	7.75
330	17.13	14.75	7.00	0.63 x 0.31	21.00	17.13	1.38	45.38	17.50	2.687	7.75

AC9244D

DIMENSIONS NOT TO BE USED FOR CONSTRUCTION. CERTIFIED DRAWINGS AVAILABLE UPON REQUEST.



Arrangement 1, SWSI, Non-Rotatable Class III



Notes:

1. Discharge angles are included on all discharges.
2. "CW" rotation is shown. "CCW" rotation is similar but opposite.
3. For fans with inlet box at 90 degrees or 270 degrees, use "BAU" discharge dimension "DF" for centerline height.

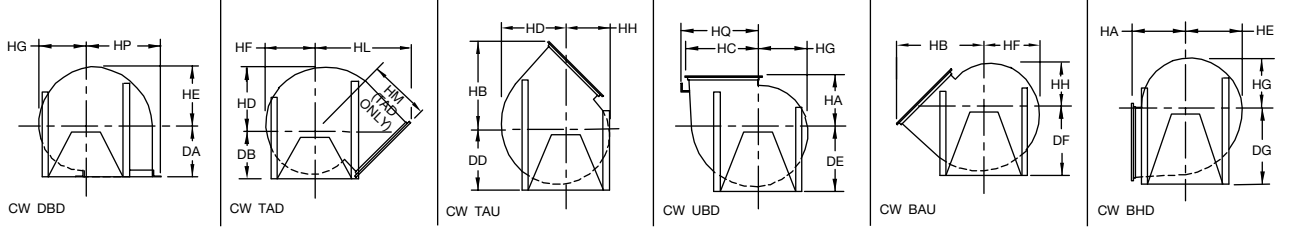
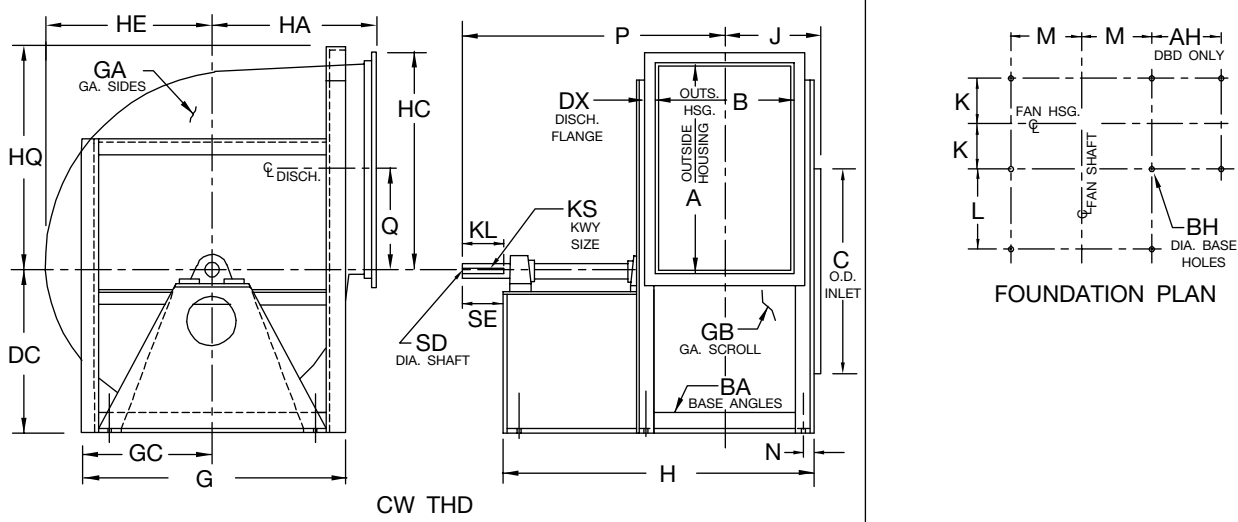
SIZE	A	AH	B	BA	BH	C	DA (Note 3)	DB (Note 3)	DC (Note 3)	DD (Note 3)	DE (Note 3)	DF	DG	DX
365	38.88	21.69	29.00	3.00 x 3.00	0.81	38.50	29.00	29.25	29.50	31.50	33.50	35.50	41.50	1.50 x 1.50
402	42.81	24.38	31.94	3.00 x 4.00	0.81	42.44	32.00	31.75	33.00	35.25	37.00	39.50	45.50	2.00 x 2.00
445	47.31	26.88	35.31	3.00 x 4.00	0.81	46.88	35.38	36.25	35.50	38.50	40.00	43.25	50.00	2.00 x 2.00
490	52.13	29.19	38.75	3.00 x 4.00	0.81	51.63	39.00	38.75	39.00	42.25	44.00	47.50	54.75	2.00 x 2.00
542	57.56	32.88	43.00	3.50 x 5.00	0.81	57.13	43.06	42.25	43.50	46.50	49.00	52.25	60.75	2.50 x 2.50
600	63.69	36.00	47.44	3.50 x 5.00	0.81	63.13	47.69	45.00	48.00	51.25	54.00	57.50	66.75	2.50 x 2.50
660	69.88	40.19	52.31	4.00 x 6.00	0.81	69.38	52.44	49.50	52.50	55.75	59.00	63.00	73.75	2.50 x 2.50
730	77.38	43.69	57.69	4.00 x 6.00	0.81	76.75	58.00	54.25	57.00	61.75	64.50	69.50	81.25	2.50 x 2.50
807	85.56	48.13	63.75	4.00 x 6.00	0.81	84.88	64.19	59.50	63.00	67.50	72.00	76.50	89.50	2.50 x 2.50
890	94.25	51.31	70.13	4.00 x 6.00	0.81	93.38	70.00	65.50	69.25	73.75	78.25	85.00	98.25	2.50 x 2.50

SIZE	G	GA	GB	GC	H	HA	HB	HC	HD	HE	HF	HG	HH	HL	HM	HP
365	49.00	7	7	24.50	58.00	29.00	48.94	40.19	33.63	31.56	29.69	27.81	25.94	55.13	37.75	41.69
402	52.50	7	7	26.25	64.00	32.00	54.19	44.63	37.06	34.75	32.69	30.63	28.56	60.38	40.75	46.63
445	56.50	7	7	28.25	70.38	35.38	59.75	49.13	41.00	38.31	36.06	33.81	31.56	66.56	44.94	51.13
490	61.50	7	7	30.75	75.75	39.00	65.69	53.94	44.94	42.25	39.75	37.25	34.75	72.44	48.50	55.94
542	67.00	7	7	33.50	82.00	43.06	72.81	59.88	49.88	46.75	44.00	41.25	38.50	79.75	52.88	62.38
600	74.00	7	7	37.00	89.50	47.69	80.38	66.00	55.06	51.75	48.69	45.63	42.56	87.56	57.81	68.50
660	80.00	7	7	40.00	98.38	52.44	88.13	72.19	60.50	56.88	53.44	50.00	46.56	94.94	62.06	75.69
730	88.00	7	7	44.00	106.75	58.00	97.38	79.69	67.00	62.94	59.19	55.44	51.69	104.25	67.75	83.19
807	96.50	7	7	48.25	115.75	64.19	107.50	87.88	74.13	69.56	65.44	61.31	57.19	114.31	73.75	91.38
890	107.50	7	7	53.75	125.13	70.00	117.75	96.56	81.63	76.69	72.13	67.56	63.00	125.94	81.50	100.06

AC9245E

DIMENSIONS NOT TO BE USED FOR CONSTRUCTION. CERTIFIED DRAWINGS AVAILABLE UPON REQUEST.

Arrangement 1, SWSI, Non-Rotatable Class III (cont'd.)



Notes:

1. Discharge angles are included on all discharges.
2. "CW" rotation is shown. "CCW" rotation is similar but opposite.
3. For fans with inlet box at 90 degrees or 270 degrees, use "BAU" discharge dimension "DF" for centerline height.

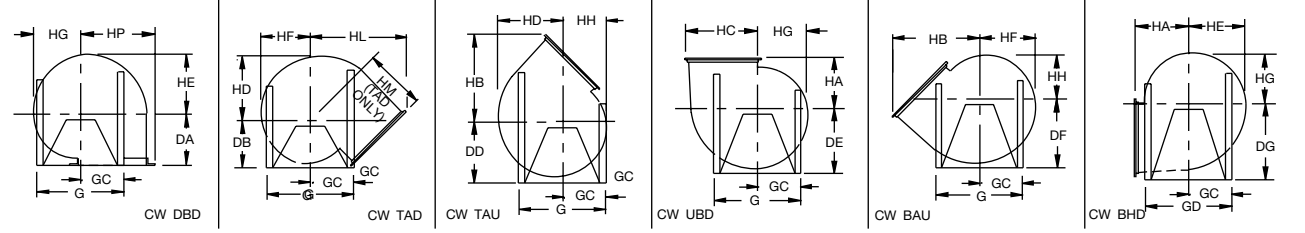
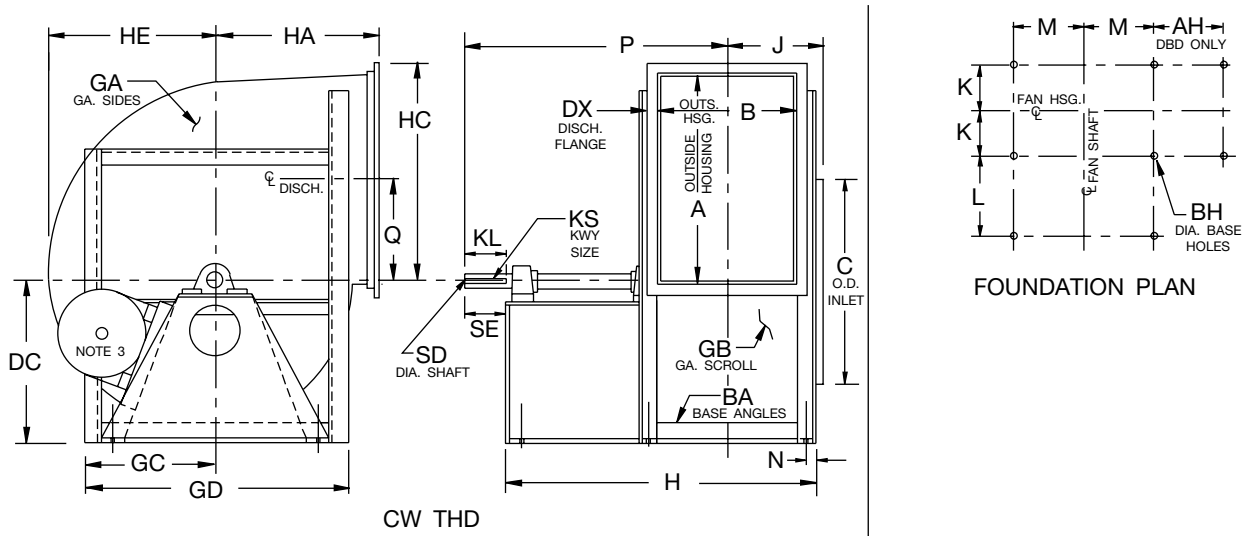
SIZE	HQ	J	K	KL	KS	L	M	N	P	Q	SD	SE
365		18.50	16.13	7.00	0.63 x 0.31	22.50	18.63	1.38	48.25	19.25	2.687	7.75
402		21.00	18.13	8.00	0.75 x 0.38	24.00	20.38	1.88	52.75	21.25	2.937	8.75
445		22.69	19.81	8.00	0.88 x 0.44	27.00	22.38	1.88	57.69	23.50	3.437	9.00
490		24.38	21.50	9.00	0.88 x 0.44	29.00	24.88	1.88	62.38	25.88	3.437	10.00
542	59.75	27.50	24.13	9.00	1.00 x 0.50	29.50	27.13	2.38	65.50	28.63	3.937	10.00
600	66.25	29.75	26.38	9.50	1.00 x 0.50	32.50	30.13	2.38	71.25	31.69	4.437	10.50
660	72.38	33.19	29.31	10.00	1.00 x 0.50	35.00	32.63	2.88	77.19	34.75	4.437	11.00
730	79.75	35.88	32.00	10.50	1.25 x 0.63	38.00	36.63	2.88	83.38	38.50	4.937	11.50
807	88.38	38.88	35.00	10.50	1.25 x 0.63	41.00	40.63	2.88	89.38	42.63	4.937	11.50
890	97.00	42.06	38.19	11.00	1.25 x 0.63	44.00	45.88	2.88	96.06	46.94	5.437	12.00

AC9245E

DIMENSIONS NOT TO BE USED FOR CONSTRUCTION. CERTIFIED DRAWINGS AVAILABLE UPON REQUEST.



Arrangement 9, SWSI, Non-Rotatable Class III (cont'd.)



Notes:

1. Discharge angles are included on all discharges.
2. "CW" rotation is shown. "CCW" rotation is similar but opposite.
3. Standard Arr. 9 motor location is on the left for "CW" rotation units and on the right for "CCW" rotation. Dimension "FR" equals max. motor frame.

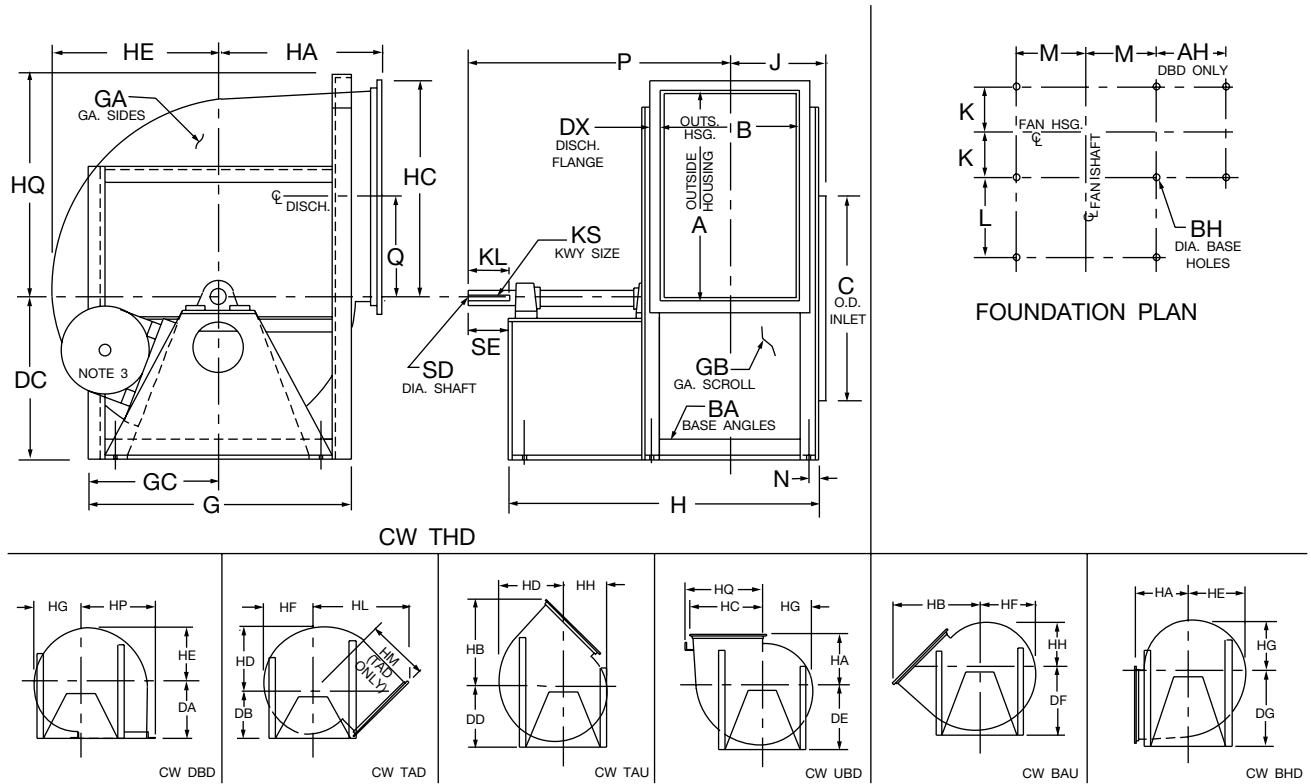
SIZE	HP	J	K	KL	KS	L	M	N	P	Q	SD	SE
122	15.00	7.94	6.06	3.50	0.38 x 0.19	17.38	6.50	0.88	29.31	6.44	1.4375	4.00
135	16.31	8.50	6.63	4.25	0.38 x 0.19	22.75	7.13	0.88	36.00	7.13	1.4375	4.75
150	17.88	9.06	7.19	4.25	0.38 x 0.19	22.75	8.00	0.88	36.56	7.88	1.6875	4.75
165	19.44	9.69	7.81	4.25	0.38 x 0.19	22.75	8.75	0.88	37.19	8.69	1.6875	4.75
182	21.38	10.31	8.44	5.00	0.38 x 0.19	25.00	9.63	0.88	40.81	9.63	1.6875	5.50
200	23.19	11.00	9.13	6.00	0.50 x 0.25	26.50	10.63	0.88	44.25	10.56	1.9375	6.75
222	26.06	12.38	10.25	6.00	0.50 x 0.25	26.75	11.50	1.13	45.63	11.75	1.9375	6.75
245	28.50	13.31	11.19	6.00	0.50 x 0.25	26.75	12.63	1.13	46.56	12.94	2.1875	6.75
270	31.19	14.31	12.19	7.00	0.50 x 0.25	27.88	13.88	1.13	49.69	14.25	2.1875	7.75
300	34.81	16.00	13.63	6.75	0.63 x 0.31	28.13	15.63	1.38	51.38	15.81	2.4375	7.75
330	38.13	17.13	14.75	6.75	0.63 x 0.31	28.13	17.13	1.38	52.50	17.50	2.6875	7.75

AC9128E

DIMENSIONS NOT TO BE USED FOR CONSTRUCTION. CERTIFIED DRAWINGS AVAILABLE UPON REQUEST.



Arrangement 9, SWSI, Non-Rotatable Class III (cont'd.)



Notes:

1. Discharge angles are included on all discharges.
2. "CW" rotation is shown. "CCW" rotation is similar but opposite.
3. Standard Arr. 9 motor location is on the left for "CW" rotation units and on the right for "CCW" rotation. Dimension "FR" equals max. motor frame.

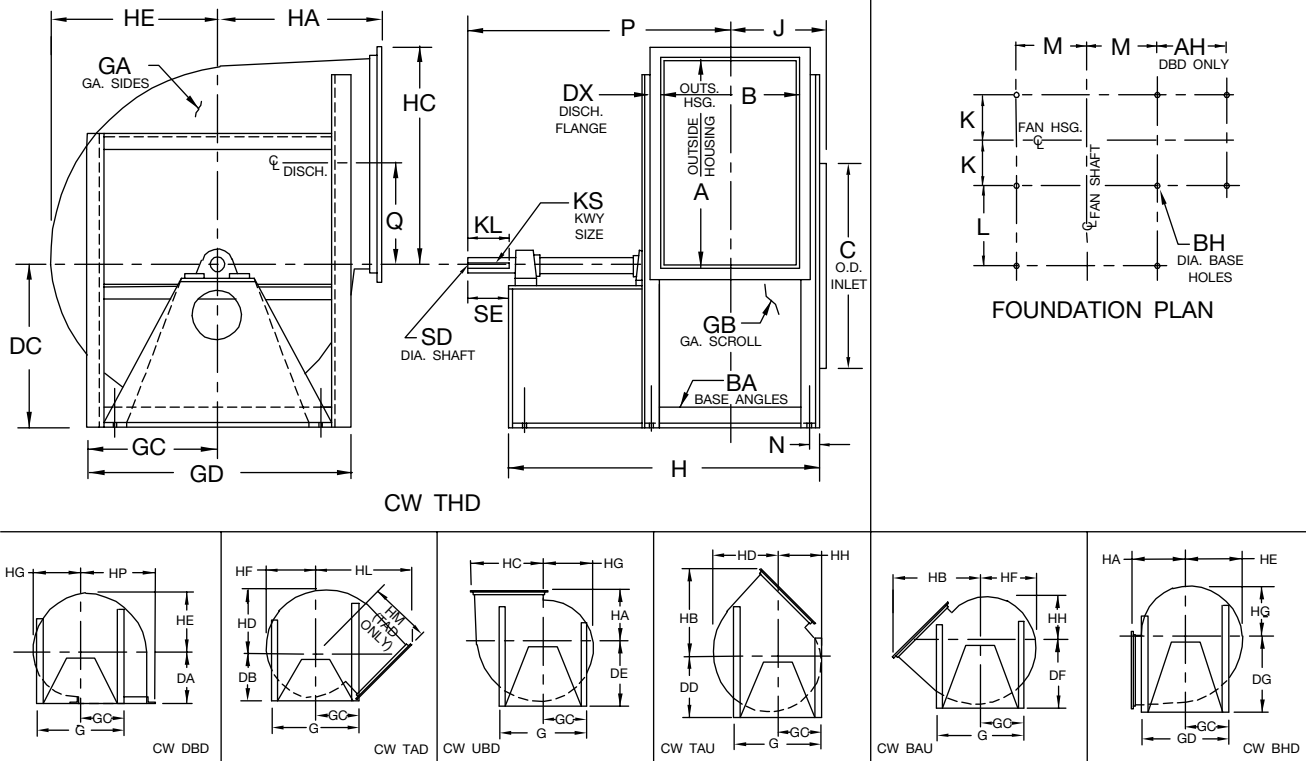
SIZE	HQ	J	K	KL	KS	L	M	N	P	Q	SD	SE
365		18.50	16.13	8.00	0.63 x 0.31	34.88	18.63	1.38	61.88	19.25	2.687	9.00
402		21.00	18.13	8.75	0.75 x 0.38	41.13	20.38	1.88	71.13	21.25	2.937	10.00
445		22.69	19.81	8.75	0.88 x 0.44	41.13	22.38	1.88	72.81	23.50	3.437	10.00
490		24.38	21.50	8.75	0.88 x 0.44	41.13	24.88	1.88	74.50	25.88	3.437	10.00
542	59.75	27.50	24.13	9.00	1.00 x 0.50	41.25	27.13	2.38	77.75	28.63	3.937	10.50
600	66.25	29.75	26.38	9.00	1.00 x 0.50	41.25	30.13	2.38	80.00	31.69	4.437	10.50
660	72.38	33.19	29.31	9.00	1.00 x 0.50	41.75	32.63	2.88	83.44	34.75	4.437	10.50
730	79.75	35.88	32.00	9.00	1.25 x 0.63	41.75	36.63	2.88	86.13	38.50	4.937	10.50
807	88.38	38.88	35.00	9.00	1.25 x 0.63	41.75	40.38	2.88	89.13	42.63	4.937	10.50
890	97.00	42.06	38.19	9.00	1.25 x 0.63	41.75	45.88	2.88	92.31	46.94	5.437	10.50

AC9129D

DIMENSIONS NOT TO BE USED FOR CONSTRUCTION. CERTIFIED DRAWINGS AVAILABLE UPON REQUEST.



Arrangement 1, SWSI, Non-Rotatable Class IV



Notes:

1. Discharge angles are included on all discharges.
2. "CW" rotation is shown. "CCW" rotation is similar but opposite.
3. For fans size 122-330 with inlet box at 90 degrees or 270 degrees, use "BAU" discharge dimension "DF" for centerline height.

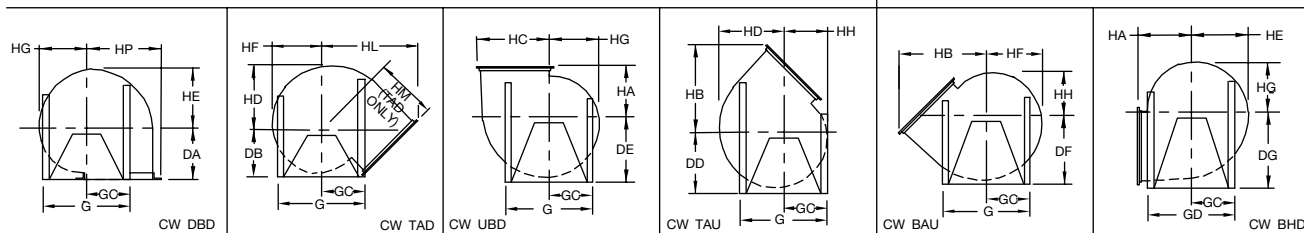
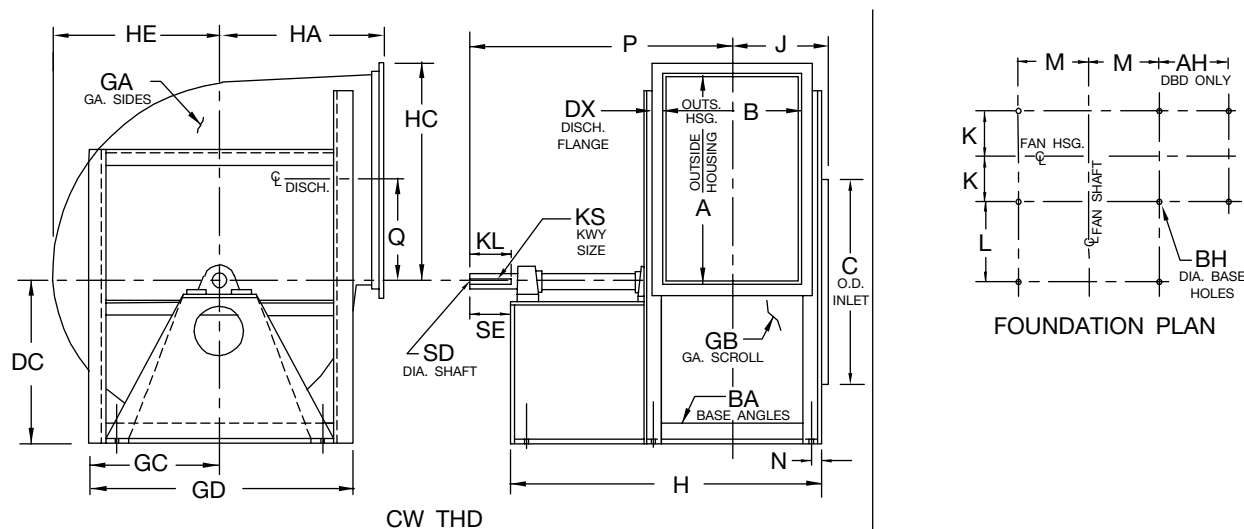
SIZE	A	AH	B	BA	BH	C	DA (Note 3)	DB (Note 3)	DC (Note 3)	DD (Note 3)	DE (Note 3)	DF	DG	DX	G
122	13.25	8.19	10.00	2.50 x 2.50	0.44	13.25	9.75	15.25	10.25	11.00	11.50	12.25	15.50	1.25	19.75
135	14.56	8.88	11.06	2.50 x 2.50	0.44	14.56	10.75	16.00	11.25	12.00	12.75	13.25	16.75	1.25	21.00
150	16.13	9.56	12.19	2.50 x 2.50	0.44	16.19	11.94	16.75	12.25	13.25	14.00	14.75	18.50	1.25	22.75
165	17.69	10.38	13.44	2.50 x 2.50	0.44	17.75	13.13	17.50	13.50	14.50	15.25	16.25	19.50	1.25	24.25
182	19.63	11.94	14.75	3.00 x 3.00	0.56	19.50	14.50	18.50	14.75	15.75	16.75	17.75	22.00	1.50	28.00
200	21.44	12.75	16.13	3.00 x 3.00	0.56	21.38	15.81	19.50	16.25	17.25	18.25	19.25	24.00	1.50	30.00
222	23.81	14.00	17.88	3.00 x 3.00	0.56	23.75	17.69	21.00	18.00	19.25	20.50	22.00	26.50	2.00	32.25
245	26.19	15.25	19.63	3.00 x 3.00	0.56	26.06	19.50	22.00	20.00	21.25	22.50	24.00	28.75	2.00	34.50
270	28.88	16.69	21.56	3.00 x 3.00	0.56	28.50	21.44	23.50	22.00	23.50	24.75	26.25	31.50	2.00	38.00
300	32.00	18.81	23.94	3.00 x 4.00	0.81	31.63	23.81	26.00	24.50	26.00	27.50	29.50	34.75	2.00	42.00
330	35.44	20.69	26.31	3.00 x 4.00	0.81	34.75	26.25	27.75	27.00	28.50	30.00	32.25	37.75	2.00	45.00

SIZE	GA	GB	GC	GD	H	HA	HB	HC	HD	HE	HF	HG	HH	HL	HM	HP
122	7	7	9.88	18.75	23.50	9.75	17.00	14.31	11.31	10.69	10.06	9.44	8.81	23.00	18.25	15.56
135	7	7	10.50	20.00	25.13	10.75	18.63	15.63	12.44	11.75	11.06	10.38	9.69	24.56	19.13	16.88
150	7	7	11.38	21.75	27.75	11.94	20.63	17.19	13.88	13.00	12.25	11.50	10.75	26.56	20.38	18.44
165	7	7	12.13	23.25	29.00	13.13	22.56	18.75	15.19	14.25	13.44	12.63	11.81	28.38	21.44	20.00
182	7	7	14.00	26.00	32.25	14.50	25.06	20.94	16.81	15.81	14.88	13.94	13.00	31.50	23.63	22.44
200	7	7	15.00	28.00	34.63	15.81	27.25	22.75	18.44	17.44	16.38	15.31	14.25	33.25	24.31	24.25
222	7	7	16.13	32.25	38.38	17.69	30.63	25.63	20.56	19.19	18.06	16.94	15.81	37.44	27.31	26.63
245	7	7	17.25	34.50	41.63	19.50	33.56	28.00	22.50	21.13	19.88	18.63	17.38	39.63	28.00	29.00
270	7	7	19.00	38.00	45.63	21.44	36.88	30.69	24.81	23.31	21.94	20.56	19.19	43.25	30.50	31.69
300	7	7	21.00	42.00	51.50	23.81	40.75	33.81	27.50	25.81	24.31	22.81	21.31	47.50	33.31	35.81
330	0.25	0.25	22.50	45.00	55.88	26.25	44.88	37.19	30.25	28.50	26.81	25.13	23.44	51.38	35.50	39.19

AC9249F

DIMENSIONS NOT TO BE USED FOR CONSTRUCTION. CERTIFIED DRAWINGS AVAILABLE UPON REQUEST.

Arrangement 1, SWSI, Non-Rotatable Class IV (cont'd.)



Notes:

1. Discharge angles are included on all discharges.
2. "CW" rotation is shown. "CCW" rotation is similar but opposite.
3. For fans size 122-330 with inlet box at 90 degrees or 270 degrees, use "BAU" discharge dimension "DF" for centerline height.

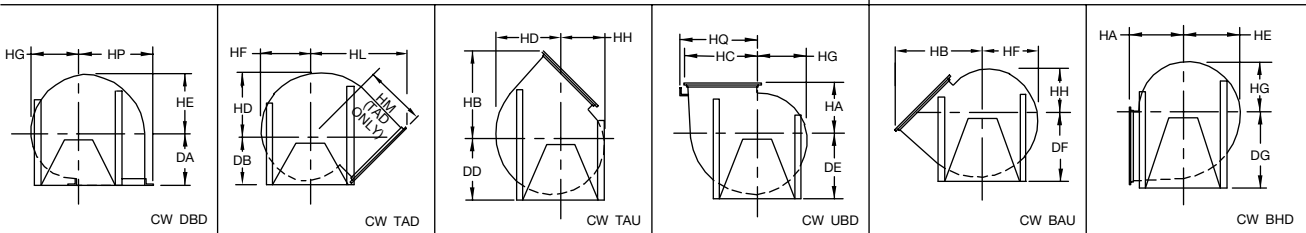
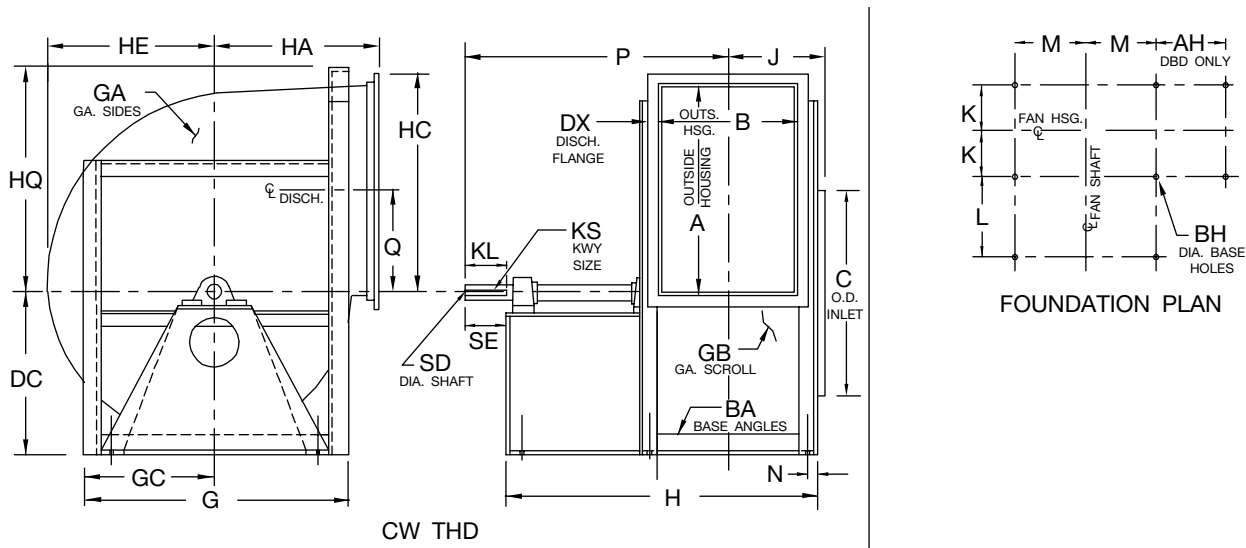
SIZE	J	K	KL	KS	L	M	N	P	Q	SD	SE
122	8.50	6.38	4.50	0.38 x 0.19	7.75	6.25	1.13	21.00	6.44	1.687	5.00
135	9.06	6.94	5.00	0.38 x 0.19	8.25	6.88	1.13	22.56	7.13	1.687	5.50
150	9.63	7.50	5.00	0.38 x 0.19	9.75	7.75	1.13	24.63	7.88	1.687	5.50
165	10.25	8.13	5.00	0.50 x 0.25	9.75	8.50	1.13	25.25	8.69	1.937	5.50
182	11.38	9.00	5.50	0.50 x 0.25	11.00	9.13	1.38	27.88	9.63	1.937	6.00
200	12.06	9.69	6.00	0.50 x 0.25	12.00	10.13	1.38	30.06	10.56	2.187	6.50
222	12.94	10.56	6.00	0.50 x 0.25	14.00	11.25	1.38	32.94	11.75	2.187	6.50
245	13.81	11.44	6.50	0.63 x 0.31	15.50	12.38	1.38	36.06	12.94	2.437	7.25
270	14.81	12.44	7.50	0.63 x 0.31	17.50	13.63	1.38	40.06	14.25	2.437	8.25
300	17.00	14.13	8.00	0.63 x 0.31	19.50	15.13	1.88	44.25	15.81	2.687	8.75
330	18.19	15.31	9.00	0.75 x 0.38	21.50	16.63	1.88	48.44	17.50	2.937	9.75

AC9249F

DIMENSIONS NOT TO BE USED FOR CONSTRUCTION. CERTIFIED DRAWINGS AVAILABLE UPON REQUEST.



Arrangement 1, SWSI, Non-Rotatable Class IV



Notes:

1. Discharge angles are included on all discharges.
2. "CW" rotation is shown. "CCW" rotation is similar but opposite.
3. For fans with inlet box at 90 degrees or 270 degrees, use "BAU" discharge dimension "DF" for centerline height.

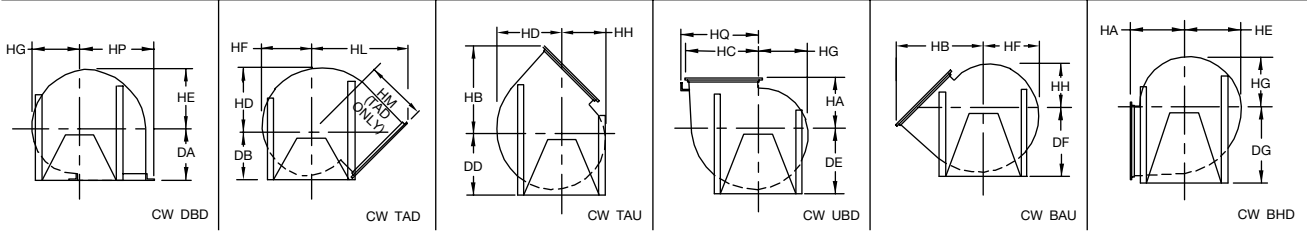
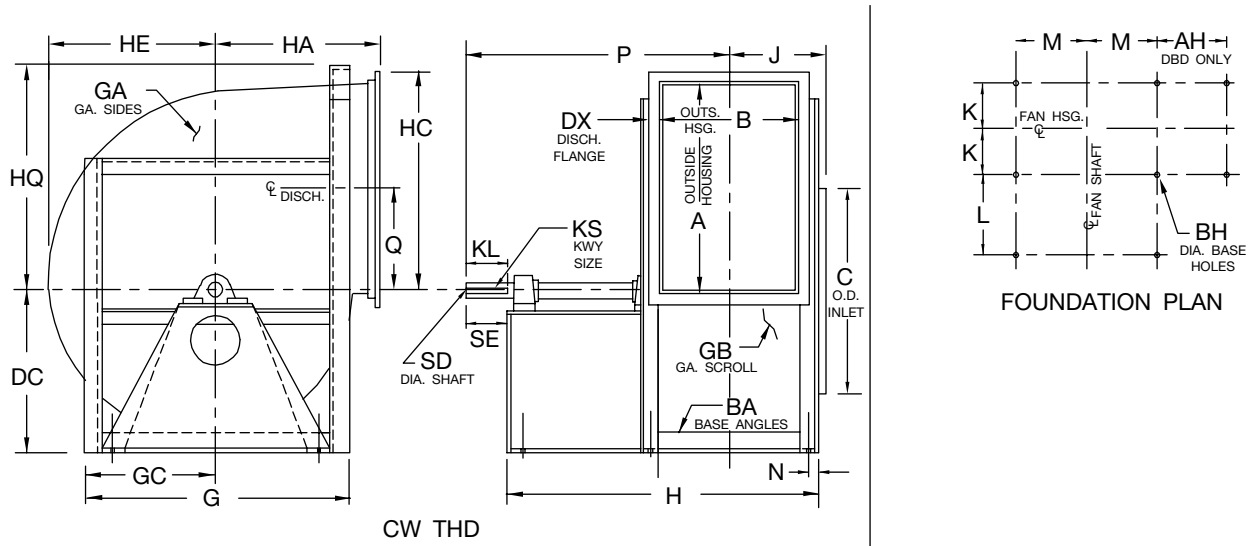
SIZE	A	AH	B	BA	BH	C	DA (Note 3)	DB (Note 3)	DC (Note 3)	DD (Note 3)	DE (Note 3)	DF	DG	DX	G
365	39.00	22.25	29.13	3.00 x 4.00	0.81	38.50	29.00	29.25	29.50	31.50	33.50	35.50	41.50	2.00	49.00
402	42.94	25.44	32.06	3.50 x 5.00	0.81	42.44	32.00	31.75	33.00	35.25	37.00	39.50	46.00	2.00	52.50
445	47.44	28.94	35.44	4.00 x 6.00	0.81	46.88	35.58	36.25	35.50	38.50	40.00	43.25	50.50	2.00	57.50
490	52.25	31.25	38.88	4.00 x 6.00	0.81	51.63	39.00	38.75	39.00	42.25	44.00	47.50	55.75	2.00	62.50
542	57.69	33.94	43.13	4.00 x 6.00	0.81	57.13	43.06	42.25	43.50	46.50	49.00	52.25	61.25	2.50	68.00
600	63.81	37.06	47.56	4.00 x 6.00	0.81	63.13	47.69	45.00	48.00	51.25	54.00	57.50	67.25	2.50	74.00
660	70.00	40.25	52.44	4.00 x 6.00	0.81	69.38	52.44	49.50	52.50	55.75	59.00	63.00	73.75	2.50	81.00
730	77.50	43.75	57.81	4.00 x 6.00	0.81	76.75	58.00	54.25	57.00	61.75	64.50	69.50	81.25	2.50	89.00
807	85.69	48.19	63.88	4.00 x 6.00	0.81	84.88	64.19	59.50	63.00	67.50	72.00	76.50	89.50	2.50	96.50
890	94.38	51.38	70.25	4.00 x 6.00	0.81	93.38	70.00	65.50	69.25	73.75	78.25	85.00	98.25	2.50	107.50

SIZE	GA	GB	GC	H	HA	HB	HC	HD	HE	HF	HG	HH	HL	HM	HP	HQ
365	0.25	0.25	24.50	60.13	29.00	49.31	40.75	33.69	31.63	29.75	27.88	26.00	55.88	38.31	42.75	
402	0.25	0.25	26.25	66.13	32.00	54.25	44.69	37.13	34.81	32.75	30.69	28.63	60.44	40.69	47.69	
445	0.25	0.25	28.75	74.50	35.38	59.81	49.19	41.06	38.38	36.13	33.88	31.63	67.13	45.75	53.19	
490	0.25	0.25	31.25	79.88	39.00	65.75	54.00	45.00	42.31	39.81	37.31	34.81	73.00	49.25	58.00	
542	0.25	0.25	34.00	84.13	43.06	72.81	59.94	49.94	46.81	44.06	41.31	38.56	80.31	53.69	63.44	60.38
600	0.25	0.25	37.00	91.63	47.69	80.44	66.06	55.13	51.81	48.75	45.69	42.63	87.69	58.25	69.56	66.38
660	0.25	0.25	40.50	98.50	52.44	88.19	72.25	60.56	56.94	53.50	50.06	46.63	95.50	62.88	75.75	73.00
730	0.25	0.25	44.50	106.88	58.00	97.38	79.75	67.06	63.00	59.25	55.50	51.75	104.88	68.50	83.25	80.38
807	0.25	0.25	48.25	115.88	64.19	107.56	87.94	74.19	69.63	65.50	61.38	57.25	114.38	73.81	91.44	88.50
890	0.25	0.25	53.75	125.25	70.00	117.81	96.63	81.69	76.75	72.19	67.63	63.06	126.00	81.56	100.13	97.13

AC9250F

DIMENSIONS NOT TO BE USED FOR CONSTRUCTION. CERTIFIED DRAWINGS AVAILABLE UPON REQUEST.

Arrangement 1, SWSI, Non-Rotatable Class IV (cont'd.)



Notes:

1. Discharge angles are included on all discharges.
2. "CW" rotation is shown. "CCW" rotation is similar but opposite.
3. For fans with inlet box at 90 degrees or 270 degrees, use "BAU" discharge dimension "DF" for centerline height.

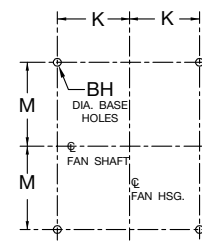
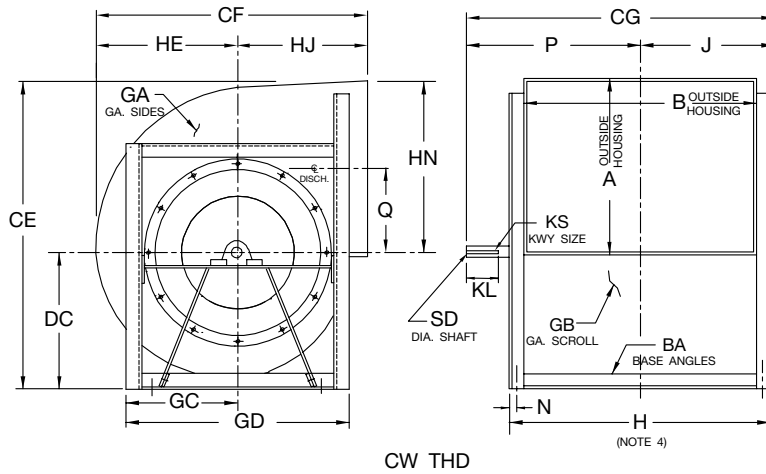
SIZE	J	K	KL	KS	L	M	N	P	Q	SD	SE
365	19.56	16.69	9.00	0.88 x 0.44	23.00	18.63	1.88	51.56	19.25	3.437	10.00
402	22.06	18.69	10.00	0.88 x 0.44	24.50	19.88	2.38	56.06	21.25	3.437	11.00
445	24.75	20.88	10.00	1.00 x 0.50	28.00	21.38	2.88	61.75	23.50	3.937	11.00
490	26.44	22.56	11.00	1.00 x 0.50	30.00	23.88	2.88	66.44	25.88	3.937	12.00
542	28.56	24.69	11.00	1.00 x 0.50	30.00	26.63	2.88	68.56	28.63	4.437	12.00
600	30.81	26.94	12.00	1.25 x 0.63	33.00	29.63	2.88	74.81	31.69	4.937	13.00
660	33.25	29.38	12.00	1.25 x 0.63	35.00	32.63	2.88	79.25	34.75	4.937	13.00
730	35.94	32.06	13.50	1.25 x 0.63	38.00	36.63	2.88	86.44	38.50	5.437	14.50
807	38.94	35.06	13.50	1.25 x 0.63	41.00	40.38	2.88	92.44	42.63	5.437	14.50
890	42.13	38.25	14.00	1.50 x 0.75	44.00	45.88	2.88	99.13	46.94	5.937	15.00

AC9250F

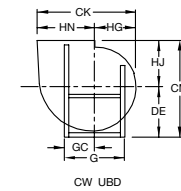
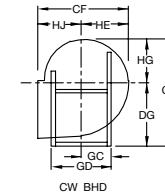
DIMENSIONS NOT TO BE USED FOR CONSTRUCTION. CERTIFIED DRAWINGS AVAILABLE UPON REQUEST.



Arrangement 3, DWDI, Non-Rotatable Class I & II



FOUNDATION PLAN



Notes:

1. Inlet bearing bar supports are removable.
2. "CW" rotation is shown. "CCW" rotation is similar but opposite.
3. For optional flanged outlet and downblast discharge see Dwg. AC14895.
4. Bearing bar supports may extend beyond base angles. See Dwg. AC1000648 for dimensions if space limitations are required for mounting fan.

SIZE	A	B	BA	BH	CE	CF	CG		CJ	CK	CM	DC	DE	DG
							CL I	CL II						
122	13.00	17.44	1.50 x 1.50	0.44	23.19	19.81	26.69	28.63	24.31	22.25	20.75	10.25	11.50	15.00
135	14.31	19.44	1.50 x 1.50	0.44	25.50	21.88	28.69	30.63	26.50	24.50	23.00	11.25	12.75	16.25
150	15.88	21.44	1.50 x 1.50	0.44	28.06	24.32	33.13	33.13	29.38	27.19	25.44	12.25	14.00	18.00
165	17.44	23.56	1.50 x 2.00	0.44	30.88	26.76	35.25	35.62	32.00	29.88	27.88	13.50	15.25	19.50
182	19.38	26.00	1.50 x 2.00	0.44	34.06	29.69	38.13	38.50	35.31	33.13	30.75	14.75	16.75	21.50
200	21.19	28.50	1.50 x 2.00	0.56	37.38	32.62	40.63	42.12	38.69	36.31	33.56	16.25	18.25	23.50
222	23.56	31.63	2.00 x 2.00	0.56	41.50	36.25	44.62	46.88	42.81	40.31	37.69	18.00	20.50	26.00
245	25.94	34.81	2.00 x 2.00	0.56	45.88	40.00	49.62	50.75	46.75	44.38	41.50	20.00	22.50	28.25
270	28.63	38.25	2.00 x 2.00	0.56	50.56	44.13	53.00	54.75	51.44	49.00	45.69	22.00	24.75	31.00

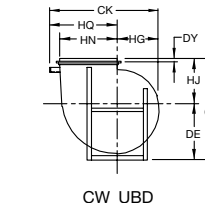
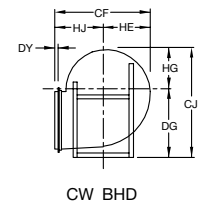
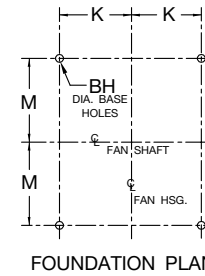
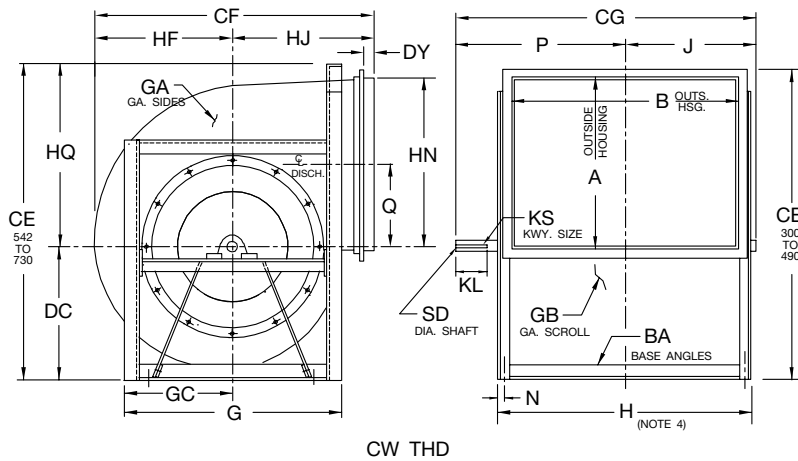
SIZE	G	GA	GB	GC	GD	H	HE	HG	HJ	HN	J		K	KL
											CL I	CL II		
122	19.75	14	14	9.88	18.50	20.50	10.56	9.31	9.25	12.94	11.44	12.38	9.63	3.00
135	21.00	14	14	10.50	19.75	22.50	11.63	10.25	10.25	14.25	12.44	13.38	10.63	3.00
150	22.75	14	14	11.38	21.50	24.50	12.88	11.38	11.44	15.81	14.38	14.38	11.63	3.50
165	24.25	14	14	12.13	24.25	27.63	14.13	12.50	12.63	17.38	15.44	15.56	12.94	3.50
182	26.00	12	14	13.00	26.00	30.00	15.69	13.81	14.00	19.31	16.63	16.75	14.13	4.00
200	28.00	12	14	14.00	28.00	32.50	17.31	15.19	15.31	21.13	17.78	18.56	15.38	4.00
222	31.25	12	14	15.63	31.25	35.63	19.06	16.81	17.19	23.50	19.56	20.63	16.94	4.50
245	33.50	12	14	16.75	33.50	38.88	21.00	18.50	19.00	25.88	21.81	22.31	18.56	5.00
270	36.00	12	14	18.00	36.00	42.25	23.19	20.44	20.94	28.56	23.50	24.31	20.25	5.00

SIZE	KS		M	N	P		Q	SD	
	CL I	CL II			CL I	CL II		CL I	CL II
122	0.25 x 0.13	0.38 x 0.19	6.75	0.63	15.25	16.25	6.44	1.187	1.437
135	0.25 x 0.13	0.38 x 0.19	7.38	0.63	16.25	17.25	7.13	1.187	1.687
150	0.38 x 0.19	0.38 x 0.19	8.25	0.63	18.75	18.75	7.88	1.437	1.687
165	0.38 x 0.19	0.50 x 0.25	8.75	0.88	19.81	20.06	8.69	1.437	1.937
182	0.38 x 0.19	0.50 x 0.25	9.63	0.88	21.50	21.75	9.63	1.687	1.937
200	0.38 x 0.19	0.50 x 0.25	10.63	0.88	22.75	23.56	10.56	1.687	2.187
222	0.50 x 0.25	0.63 x 0.31	11.75	0.88	25.06	26.25	11.75	1.937	2.437
245	0.50 x 0.25	0.63 x 0.31	12.88	0.88	27.81	28.44	12.94	2.187	2.437
270	0.50 x 0.25	0.63 x 0.31	14.13	0.88	29.50	30.44	14.25	2.187	2.687

AC14967D

DIMENSIONS NOT TO BE USED FOR CONSTRUCTION. CERTIFIED DRAWINGS AVAILABLE UPON REQUEST.

Arrangement 3, DWDI, Non-Rotatable Class I & II



- Notes:**
1. Inlet bearing bar supports are removable.
 2. "CW" rotation is shown. "CCW" rotation is similar but opposite.
 3. For optional flanged outlet connection and downblast discharge see Dwg. AC14896.
 4. Bearing bar supports may extend beyond base angles. See Dwg. AC1000648 for dimensions if space limitations are required for mounting fan.

SIZE	A	B	BA	BH	CE	CF	CG		CJ	CK
							CL I	CL II		
300	31.81	42.69	2.50 x 2.50	0.56	57.75	49.06	59.13	59.13	57.00	56.00
330	35.13	46.69	2.50 x 2.50	0.56	63.56	54.13	63.13	63.13	62.25	61.56
365	38.69	51.81	2.50 x 2.50	0.56	69.63	60.00	68.88	68.88	68.75	67.88
402	42.63	57.19	3.00 x 3.00	0.81	77.06	66.19	74.13	74.75	76.06	74.62
445	47.13	63.13	3.00 x 3.00	0.81	84.06	73.13	80.00	80.37	83.75	82.31
490	51.94	69.44	3.00 x 3.00	0.81	92.88	80.69	88.00	90.57	91.94	91.07
542	57.38	76.94	3.00 x 4.00	0.81	103.25	89.25	94.75	95.69	101.44	100.94
600	63.50	85.00	3.00 x 4.00	0.81	113.75	98.88	107.07	108.63	111.81	111.31
660	69.69	93.69	3.50 x 5.00	0.81	124.75	108.75	115.81	117.44	123.19	122.19
730	77.25	103.38	3.50 x 5.00	0.81	136.75	120.38	128.00	128.00	136.13	135.13

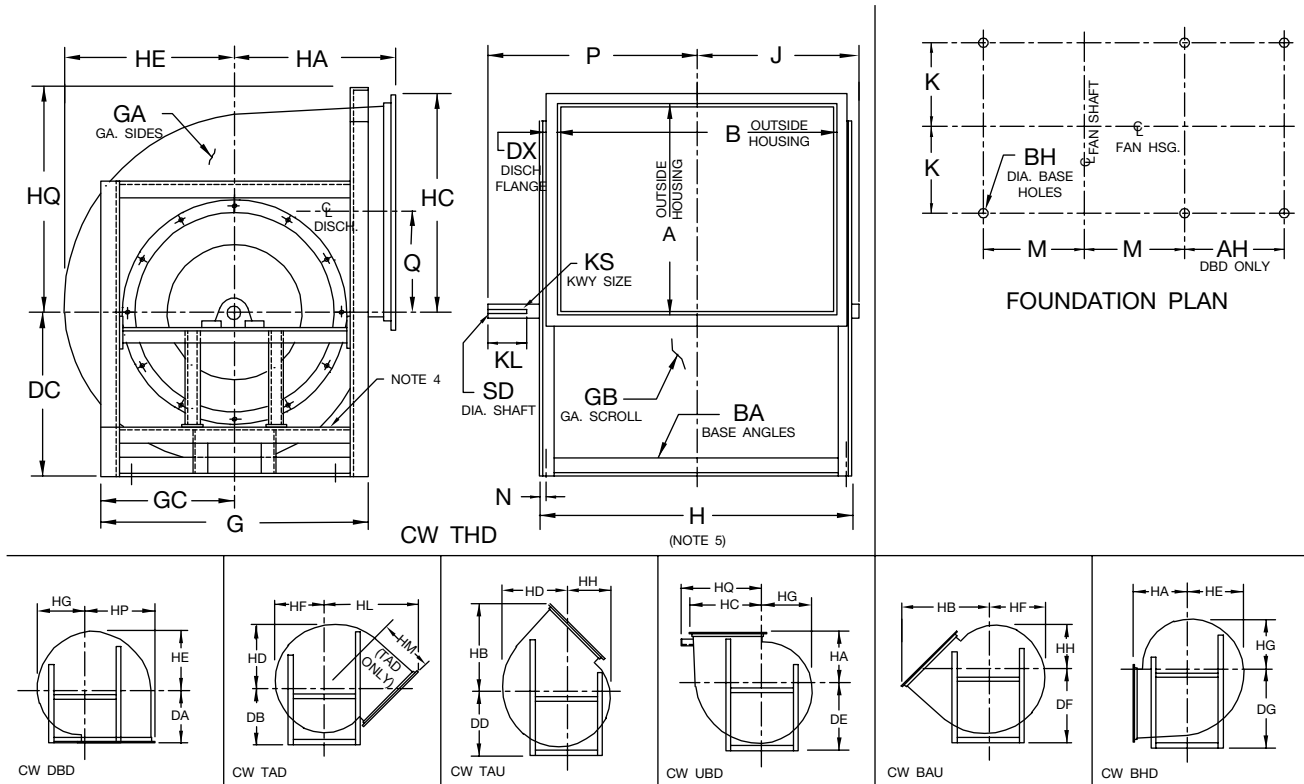
SIZE	CM	DC	DE	DG	DY	G	GA	GB	GC	H	HE	HG	HJ	HN	HQ
300	51.81	24.50	28.50	34.25	1.25	41.00	10	12	20.50	47.75	25.75	22.75	23.31	31.75	
330	56.75	27.00	31.00	37.25	1.50	44.00	10	12	22.00	51.75	28.38	25.00	25.75	35.06	
365	62.00	29.50	33.50	41.00	1.50	48.00	10	12	24.00	56.88	31.50	27.75	28.50	38.63	
402	68.50	33.00	37.00	45.50	1.50	52.50	10	12	26.25	63.25	34.69	30.56	31.50	42.56	
445	74.88	35.50	40.00	50.00	1.50	56.50	10	12	28.25	69.13	38.25	33.75	34.88	47.06	
490	82.50	39.00	44.00	54.75	1.50	61.50	10	12	30.75	75.50	42.19	37.19	38.50	51.88	
542	91.56	43.50	49.00	60.25	1.50	67.00	10	12	33.50	85.00	46.69	41.19	42.56	57.31	59.75
600	101.19	48.00	54.00	62.25	1.50	73.00	10	12	36.50	93.00	51.69	45.56	47.19	63.44	65.75
660	110.94	52.50	59.00	73.25	1.50	80.00	10	12	40.00	103.75	56.81	49.94	51.94	69.63	72.25
730	122.00	57.00	64.50	80.75	1.50	88.00	10	10	44.00	113.38	62.88	55.38	57.50	77.13	79.75

SIZE	J		K	KL	KS		M	N	P		Q	SD	
	CL I	CL II			CL I	CL II			CL I	CL II		CL I	CL II
300	26.25	26.25	22.75	5.50	0.63 x 0.31	0.63 x 0.31	15.88	1.13	32.88	32.88	15.81	2.437	2.437
330	28.25	28.25	24.75	5.50	0.63 x 0.31	0.63 x 0.31	17.38	1.13	34.88	34.88	17.50	2.437	2.437
365	31.13	31.13	27.31	5.50	0.63 x 0.31	0.63 x 0.31	18.88	1.13	37.75	37.75	19.25	2.687	2.687
402	33.50	33.81	30.25	6.00	0.63 x 0.31	0.63 x 0.31	20.88	1.38	40.63	40.94	21.25	2.437	2.687
445	36.44	36.56	33.19	6.00	0.63 x 0.31	0.75 x 0.38	22.88	1.38	43.56	43.81	23.50	2.437	2.937
490	39.94	41.13	36.38	7.00	0.63 x 0.31	0.88 x 0.44	25.38	1.38	48.06	49.44	25.88	2.687	3.437
542	43.75	44.19	40.63	6.00	0.75 x 0.38	0.88 x 0.44	27.63	1.88	51.00	51.50	28.63	2.937	3.437
600	48.88	49.63	44.63	8.00	0.88 x 0.44	1.00 x 0.50	30.63	1.88	58.19	59.00	31.69	3.437	3.937
660	53.25	54.06	49.50	8.00	0.88 x 0.44	1.00 x 0.50	33.13	2.38	62.56	63.38	34.75	3.437	3.937
730	58.81	58.81	54.31	9.00	1.00 x 0.50	1.00 x 0.50	37.13	2.38	69.19	69.19	38.50	3.937	3.937

AC14968F

DIMENSIONS NOT TO BE USED FOR CONSTRUCTION. CERTIFIED DRAWINGS AVAILABLE UPON REQUEST.

Arrangement 3, DWDI, Non-Rotatable Class I & II



Notes:

1. For slip connection on discharge, contact factory for Dwg. AC15864.
2. Inlet bearing bar supports are removable.
3. "CW" rotation is shown. "CCW" rotation is similar but opposite.
4. Frame supports vary in construction by size and by discharge position.
5. Bearing bar supports may extend beyond base angles. See Dwg. AC1000648 for dimensions if space limitations are required for mounting fan.

SIZE	A	AH	B	BA	BH	DA	DB	DC	DD	DE	DF	DG	DX	G	GA	GB
807	85.44	47.06	114.31	3.50 x 5.00	0.81	64.19	59.50	63.00	67.50	72.00	76.50	89.00	2.50	95.50	10	10
890	94.13	50.25	126.13	3.50 x 5.00	0.81	70.00	65.50	69.25	73.75	78.25	85.00	97.81	2.50	106.50	7	10
982	104.00	53.75	139.19	4.00 x 6.00	0.81	77.75	71.50	76.50	80.00	86.50	92.00	108.25	2.50	122.00	7	7

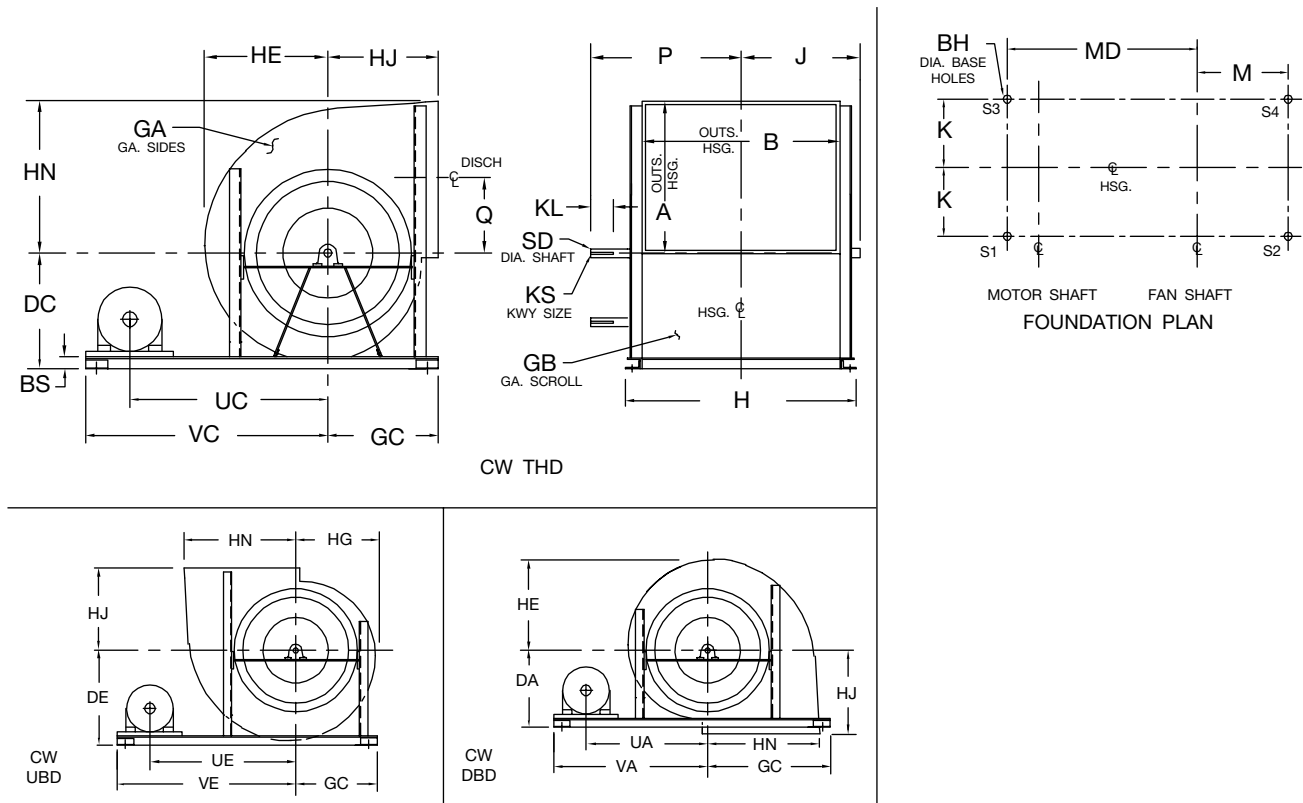
SIZE	GC	GD	H	HA	HB	HC	HD	HE	HF	HG	HH	HL	HM	HP	HQ
807	47.75	95.50	124.38	64.19	107.50	87.81	74.00	69.50	65.38	61.25	57.13	113.69	73.00	90.31	87.75
890	53.25	106.50	136.13	70.00	117.75	96.50	81.56	76.63	72.06	67.50	62.94	125.38	80.75	99.00	96.50
982	61.00	122.00	151.25	77.75	130.13	106.31	90.06	84.63	79.56	74.50	69.44	140.06	91.75	109.75	106.75

SIZE	J		K	KL	KS	M	N	P		Q	SD	
	CL I	CL II						CL I	CL II		CL I	CL II
807	64.31	65.56	59.81	9.0	1.00 x 0.50	40.88	2.38	74.69	75.44	42.63	3.937	4.437
890	70.19	71.50	65.69	9.0	1.00 x 0.50	46.38	2.38	80.56	82.00	46.94	3.937	4.437
982	77.81	78.44	72.75	9.0	1.25 x 0.63	53.13	2.88	88.31	88.88	51.81	4.937	5.437

AC9258E

DIMENSIONS NOT TO BE USED FOR CONSTRUCTION. CERTIFIED DRAWINGS AVAILABLE UPON REQUEST.

Arrangement 3F, DWDI, Non-Rotatable Class I



Notes:

1. "CW" rotation, motor position "Z" shown. "CCW" rotation, motor position "W" is similar but opposite.
2. Standard Arr. 3F motor location is on the left for "CW" rotation units and on the right for "CCW" rotation. Dimension "FR" equals max. motor frame.
3. For optional flanged outlet, contact factory for Dwg. AC16038.
4. See ES4-98 for point loads at location "S1," "S2," etc.
5. Contact factory for BHD and other UBD orientations.

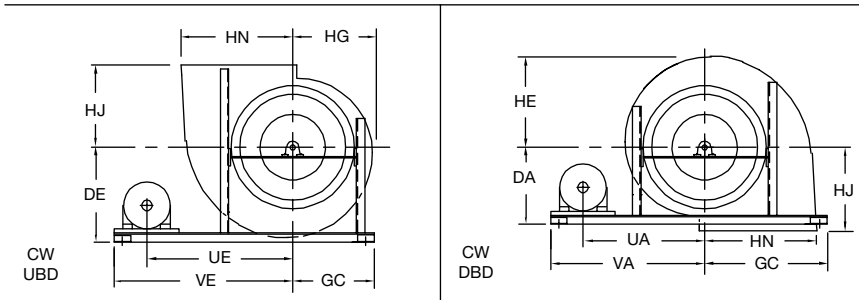
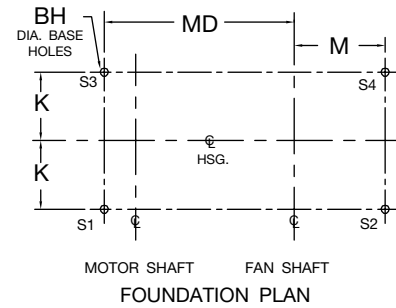
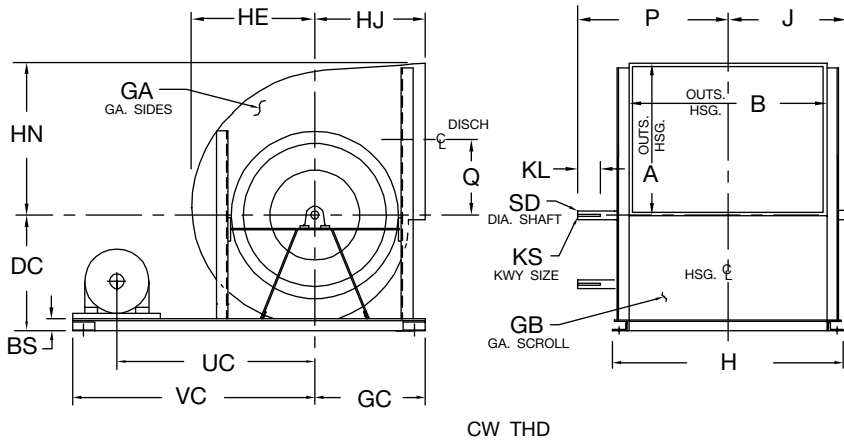
SIZE	A	B	BH	BS	DA	DC	DE	FR	GA	GB	GC			H		HE
											DBD	THD	UBD	DBD	THD/UBD	
122	13.00	17.44	0.69	4.00	12.38	12.38	12.38	184T	14	14	16.00	9.13	11.38	28.00	24.00	10.56
135	14.31	19.44	0.69	4.00	13.00	13.00	13.00	184T	14	14	17.25	9.75	12.00	30.00	26.00	11.63
150	15.88	21.44	0.69	4.00	13.88	13.88	13.88	213T	14	14	18.88	10.63	12.88	32.00	28.00	12.88
165	17.44	23.56	0.69	4.00	14.63	14.63	15.13	215T	14	14	20.38	12.13	13.63	34.13	30.13	14.13
182	19.38	26.00	0.69	4.00	15.50	15.50	16.69	254T	12	14	22.38	13.00	14.50	36.50	32.50	15.69
200	21.19	28.50	0.69	4.00	16.50	16.50	18.31	254T	12	14	24.13	14.00	15.50	39.00	35.00	17.31
222	23.56	31.63	0.69	5.00	18.63	18.63	20.06	254T	12	14	27.00	15.63	17.13	42.38	40.38	19.06
245	25.94	34.81	0.69	5.00	19.75	19.75	22.00	256T	12	14	29.38	18.25	18.25	45.63	43.63	21.00
270	28.63	38.25	0.69	5.00	21.00	21.44	24.19	256T	12	14	32.13	19.50	19.50	49.00	47.00	23.19

SIZE	HG	HJ		HN	J	K		KL	KS	M			MD		
		DBD	THD/UBD			DBD	THD/UBD			DBD	THD	UBD	DBD	THD	UBD
122	9.31	13.88	9.25	12.94	11.44	12.75	10.63	3.00	0.25 x 0.13	13.00	6.13	8.38	23.00	24.25	26.13
135	10.25	14.50	10.25	14.25	12.44	13.75	11.63	3.00	0.25 x 0.13	14.25	6.75	9.00	23.88	25.25	27.38
150	11.38	15.38	11.44	15.81	14.38	14.75	12.63	3.50	0.38 x 0.19	15.88	7.63	9.88	28.13	29.63	32.00
165	12.50	16.13	12.63	17.38	15.44	15.81	13.69	3.50	0.38 x 0.19	17.38	9.13	10.63	29.25	30.88	33.13
182	13.81	17.00	14.00	19.31	16.63	17.00	14.88	4.00	0.38 x 0.19	19.38	10.00	11.50	34.25	36.00	39.00
200	15.19	18.00	15.31	21.13	17.88	18.25	16.13	4.00	0.38 x 0.19	21.13	11.00	12.50	35.50	37.75	40.75
222	16.81	20.13	17.19	23.50	19.56	19.94	18.31	4.50	0.50 x 0.25	24.00	12.63	14.13	37.25	39.50	43.13
245	18.50	21.25	19.00	25.88	21.81	21.56	19.94	5.00	0.50 x 0.25	26.38	15.25	15.25	38.88	41.38	45.25
270	20.44	22.50	20.94	28.56	23.50	23.25	21.63	5.00	0.50 x 0.25	29.13	16.50	16.50	40.75	43.50	47.63

DIMENSIONS NOT TO BE USED FOR CONSTRUCTION. CERTIFIED DRAWINGS AVAILABLE UPON REQUEST.

AC16026B

Arrangement 3F, DWDI, Non-Rotatable Class I (cont'd.)



Notes:

1. "CW" rotation, motor position "Z" shown. "CCW" rotation, motor position "W" is similar but opposite.
2. Standard Arr. 3F motor location is on the left for "CW" rotation units and on the right for "CCW" rotation. Dimension "FR" equals max. motor frame.
3. For optional flanged outlet, contact factory for Dwg. AC16038.
4. See ES4-98 for point loads at location "S1," "S2," etc.
5. Contact factory for BHD and other UBD orientations.

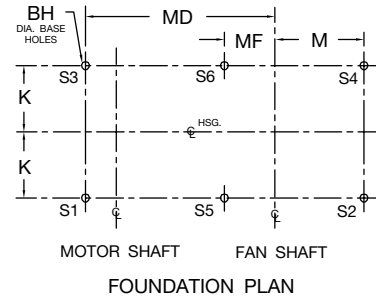
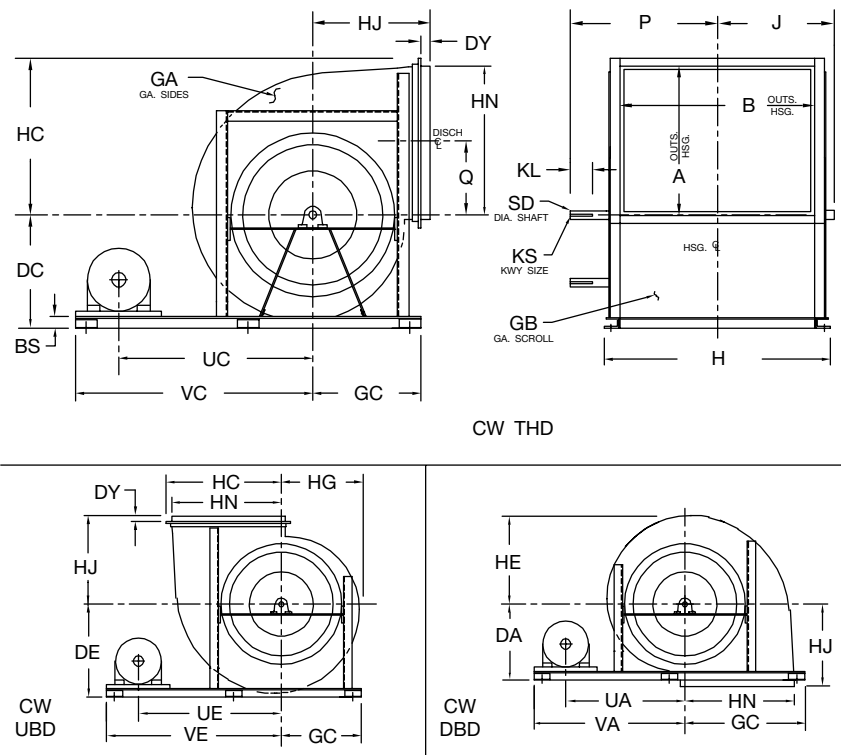
SIZE	P	Q	SD	UA	UC	UE	VA	VC	VE
122	15.25	6.44	1.187	19.63	20.88	22.75	26.00	27.25	29.13
135	16.25	7.13	1.187	20.50	21.88	24.00	26.88	28.25	30.38
150	18.75	7.88	1.437	23.63	25.13	27.50	31.13	32.63	35.00
165	19.81	8.69	1.437	24.75	26.38	28.63	32.25	33.88	36.13
182	21.50	9.63	1.687	28.38	30.13	33.13	37.25	39.00	42.00
200	22.75	10.56	1.687	29.63	31.88	34.88	38.50	40.75	43.75
222	25.06	11.75	1.937	31.38	33.63	37.25	40.25	42.50	46.13
245	27.81	12.94	2.187	33.00	35.50	39.38	41.88	44.38	48.25
270	29.50	14.25	2.187	34.88	37.63	41.75	43.75	46.50	50.63

AC16026B

DIMENSIONS NOT TO BE USED FOR CONSTRUCTION.
CERTIFIED DRAWINGS AVAILABLE UPON REQUEST.



Arrangement 3F, DWDI, Non-Rotatable Class I



Notes:

- "CW" rotation, motor position "Z" shown. "CCW" rotation, motor position "W" is similar but opposite.
- Standard Arr. 3F motor location is on the left for "CW" rotation units and on the right for "CCW" rotation. Dimension "FR" equals max. motor frame.
- For optional flanged outlet, contact factory for Dwg. AC16039.
- Dimension "MF" applies only when six (6) mounting brackets are required.
- See ES4-98 for point loads at location "S1," "S2," etc.
- See Dwg. AC16028 for sizes 542-660. Contact factory for BHD and other UBD orientations.

SIZE	A	B	BH	BS	DA	DC	DE	DY	FR	GA	GB	GC		H		HC
												DBD	THD/UBD	DBD	THD/UBD	
300	31.81	42.69	0.69	5.00	23.00	23.75	26.75	1.25	284T	10	12	35.25	21.50	53.50	51.50	33.25
330	35.13	46.69	0.69	5.00	24.50	26.00	29.38	1.50	286T	10	12	38.63	23.00	57.50	55.50	36.56
365	38.69	51.81	0.81	6.00	27.50	28.75	32.50	1.50	324T	10	12	42.63	25.50	62.63	62.63	40.13
402	42.63	57.19	0.81	6.00	30.00	31.56	35.69	1.50	326T	10	12	46.63	27.25	68.00	68.00	44.06
445	47.13	63.13	0.81	6.00	33.38	34.75	39.25	1.50	364T	10	12	51.13	29.25	73.88	73.88	48.56
490	51.94	69.44	0.81	6.00	37.00	38.19	43.19	1.50	365T	10	12	55.88	31.75	80.25	80.25	53.88

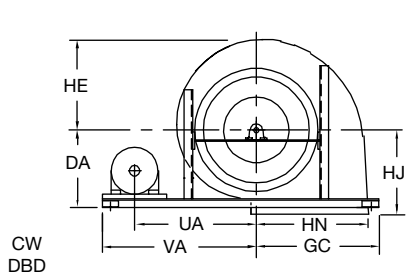
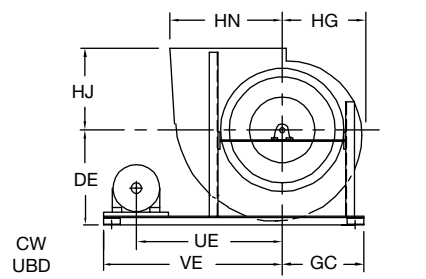
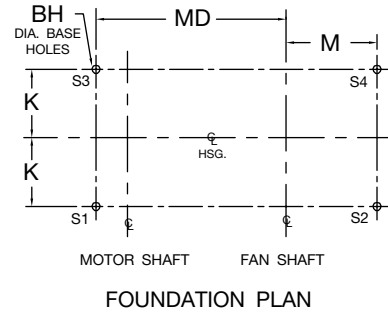
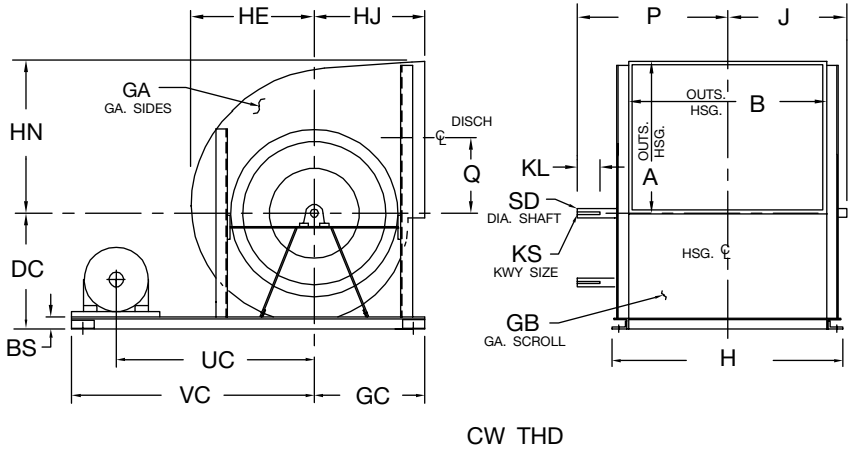
SIZE	HE	HG	HJ		HN	J	K		KL	KS	M		MD		
			DBD	THD/UBD			DBD	THD/UBD			DBD	THD	UBD		
300	25.75	22.75	24.50	23.31	31.75	26.25	25.50	23.88	5.50	0.63 x 0.31	32.25	18.50	45.63	48.63	53.00
330	28.38	25.00	26.00	25.75	35.06	28.25	27.50	25.88	5.50	0.63 x 0.31	35.63	20.00	47.75	51.00	55.63
365	31.50	27.75	29.00	28.50	38.63	31.13	30.06	28.94	5.50	0.63 x 0.31	39.63	22.50	54.13	57.88	63.13
402	34.69	30.56	31.50	31.50	42.56	33.50	32.75	31.63	6.00	0.63 x 0.31	43.63	24.25	56.75	60.63	66.25
445	38.25	33.75	34.88	34.88	47.06	36.44	35.69	34.56	6.00	0.63 x 0.31	48.13	26.25	64.00	68.38	74.38
490	42.19	37.19	38.50	38.50	51.88	39.94	38.88	37.75	7.00	0.63 x 0.31	52.88	28.75	66.75	71.63	78.13

SIZE	MF		P	Q	SD	UA	UC	UE	VA	VC	VE
	DBD	UBD									
300	—	—	32.88	15.81	2.437	38.75	41.75	46.13	48.63	51.63	56.00
330	—	—	34.88	17.50	2.437	40.88	44.13	48.75	50.75	54.00	58.63
365	—	—	37.75	19.25	2.687	45.75	49.50	54.75	57.13	60.88	66.13
402	—	—	40.63	21.25	2.437	48.38	52.25	57.88	59.75	63.63	69.25
445	7.94	—	43.56	23.50	2.437	54.25	58.63	64.63	67.00	71.38	77.38
490	6.94	24.69	48.06	25.88	2.687	57.00	61.88	68.38	69.75	74.63	81.13

AC16027C

DIMENSIONS NOT TO BE USED FOR CONSTRUCTION. CERTIFIED DRAWINGS AVAILABLE UPON REQUEST.

**Arrangement 3F, DWDI, Non-Rotatable
Class II**



Notes:

1. "CW" rotation, motor position "Z" shown. "CCW" rotation, motor position "W" is similar but opposite.
2. Standard Arr. 3F motor location is on the left for "CW" rotation units and on the right for "CCW" rotation. Dimension "FR" equals max. motor frame.
3. For optional flanged outlet, see Dwg. AC16044.
4. See ES4-98 for point loads at location "S1," "S2," etc.
5. Contact factory for BHD and other UBD orientations.

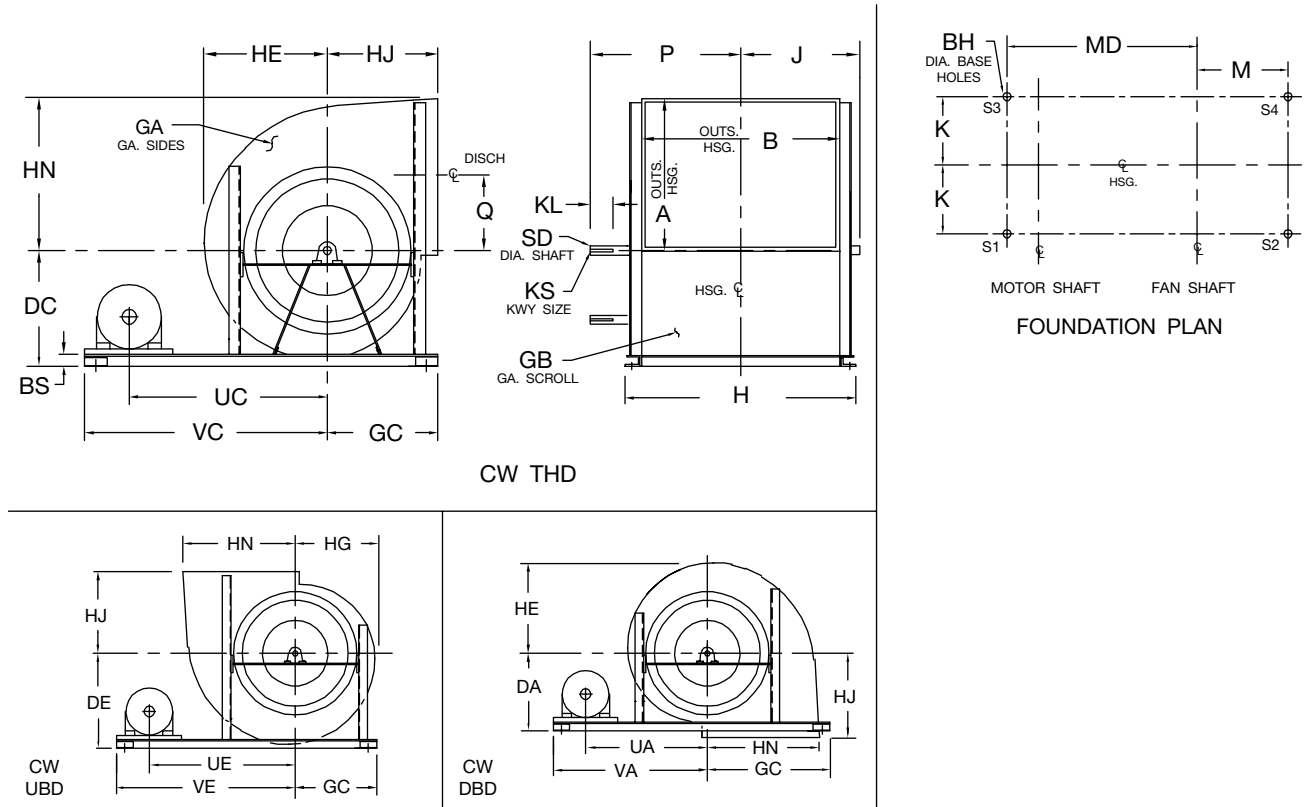
SIZE	A	B	BH	BS	DA	DC	DE	FR	GA	GB	GC			H		HE
											DBD	THD	UBD	DBD	THD/UBD	
122	13.00	17.44	0.69	4.00	12.38	12.38	12.38	215T	14	14	16.00	9.13	11.38	28.00	24.00	10.56
135	14.31	19.44	0.69	4.00	13.00	13.00	13.00	254T	14	14	17.25	9.75	12.00	30.00	26.00	11.63
150	15.88	21.44	0.69	4.00	13.88	13.88	13.88	254T	14	14	18.88	10.63	12.88	32.00	28.00	12.88
165	17.44	23.56	0.69	4.00	14.63	14.63	15.13	256T	14	14	20.38	12.13	13.63	34.13	30.13	14.13
182	19.38	26.00	0.69	4.00	15.50	15.50	16.69	284T	12	14	22.38	13.00	14.50	36.50	32.50	15.69
200	21.19	28.50	0.69	4.00	16.50	16.50	18.31	284T	12	14	24.13	14.00	15.50	39.00	35.00	17.31
222	23.56	31.63	0.69	5.00	18.63	18.63	20.06	286T	12	14	27.00	15.63	17.13	42.38	40.38	19.06
245	25.94	34.81	0.69	5.00	19.75	19.75	22.00	324T	12	14	29.38	18.25	18.25	45.63	43.63	21.00
270	28.63	38.25	0.69	5.00	21.00	21.44	24.19	326T	12	14	32.13	19.50	19.50	49.00	47.00	23.19

SIZE	HG	HJ		HN	J	K		KL	KS	M			MD		
		DBD	THD/UBD			DBD	THD/UBD			DBD	THD	UBD	DBD	THD	UBD
122	9.31	13.88	9.25	12.94	12.38	12.75	10.63	3.00	0.38 x 0.19	13.00	6.13	8.38	26.13	27.38	29.25
135	10.25	14.50	10.25	14.25	13.38	13.75	11.63	3.00	0.38 x 0.19	14.25	6.75	9.00	30.63	32.00	34.13
150	11.38	15.38	11.44	15.81	14.38	14.75	12.63	3.50	0.38 x 0.19	15.88	7.63	9.88	31.75	33.25	35.63
165	12.50	16.13	12.63	17.38	15.56	15.81	13.69	3.50	0.50 x 0.25	17.38	9.13	10.63	32.88	34.50	36.75
182	13.81	17.00	14.00	19.31	16.75	17.00	14.88	4.00	0.50 x 0.25	19.38	10.00	11.50	36.75	38.50	41.50
200	15.19	18.00	15.31	21.13	18.56	18.25	16.13	4.00	0.50 x 0.25	21.13	11.00	12.50	38.00	40.25	43.25
222	16.81	20.13	17.19	23.50	20.63	19.94	18.31	4.50	0.63 x 0.31	24.00	12.63	14.13	39.75	42.00	45.63
245	18.50	21.25	19.00	25.88	22.31	21.56	19.94	5.00	0.63 x 0.31	26.38	15.25	15.25	45.00	47.50	51.38
270	20.44	22.50	20.94	28.56	24.31	23.25	21.63	5.00	0.63 x 0.31	29.13	16.50	16.50	46.88	49.63	54.00

DIMENSIONS NOT TO BE USED FOR CONSTRUCTION. CERTIFIED DRAWINGS AVAILABLE UPON REQUEST.

AC16032B

Arrangement 3F, DWDI, Non-Rotatable Class II (cont'd.)



Notes:

1. "CW" rotation, motor position "Z" shown. "CCW" rotation, motor position "W" is similar but opposite.
2. Standard Arr. 3F motor location is on the left for "CW" rotation units and on the right for "CCW" rotation. Dimension "FR" equals max. motor frame.
3. For optional flanged outlet, see Dwg. AC16044.
4. See ES4-98 for point loads at location "S1," "S2," etc.
5. Contact factory for BHD and other UBD orientations.

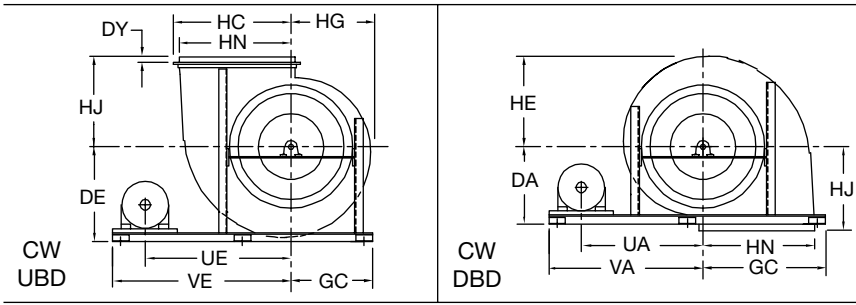
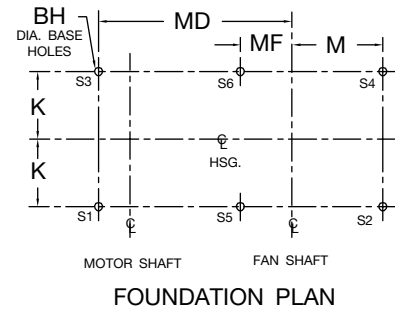
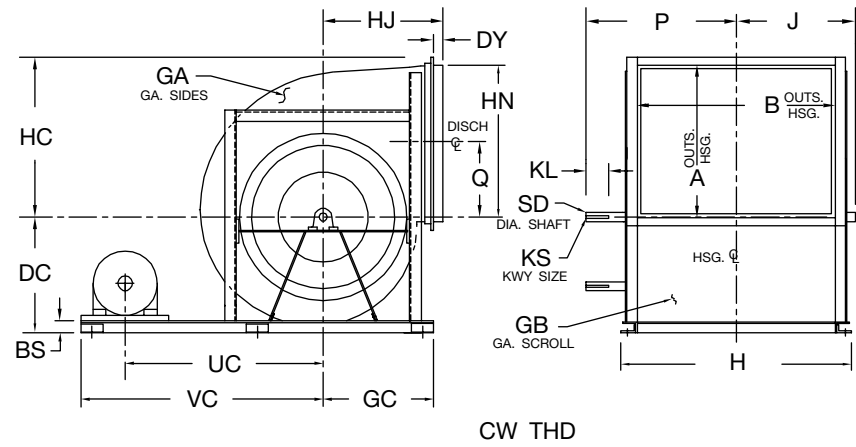
SIZE	P	Q	SD	UA	UC	UE	VA	VC	VE
122	16.25	6.44	1.437	21.63	22.88	24.75	29.13	30.38	32.25
135	17.25	7.13	1.687	24.75	26.13	28.25	33.63	35.00	37.13
150	18.75	7.88	1.687	25.88	27.38	29.75	34.75	36.25	38.63
165	20.06	8.69	1.937	27.00	28.63	30.88	35.88	37.50	39.75
182	21.75	9.63	1.937	29.88	31.63	34.63	39.75	41.50	44.50
200	23.56	10.56	2.187	31.13	33.38	36.38	41.00	43.25	46.25
222	26.25	11.75	2.437	32.88	35.13	38.75	42.75	45.00	48.63
245	28.44	12.94	2.437	36.63	39.13	43.00	48.00	50.50	54.38
270	30.44	14.25	2.687	38.50	41.25	45.63	49.88	52.63	57.00

AC16032B

DIMENSIONS NOT TO BE USED FOR CONSTRUCTION.
CERTIFIED DRAWINGS AVAILABLE UPON REQUEST.



**Arrangement 3F, DWDI, Non-Rotatable
Class II**



Notes:

1. "CW" rotation, motor position "Z" shown. "CCW" rotation, motor position "W" is similar but opposite.
2. Standard Arr. 3F motor location is on the left for "CW" rotation units and on the right for "CCW" rotation. Dimension "FR" equals max. motor frame.
3. For optional flanged outlet, contact factory for Dwg. AC16045.
4. Dimension "MF" applies only when six (6) mounting brackets are required.
5. See ES4-98 for point loads at location "S1," "S2," etc.
6. See Dwg. AC16034 for sizes 542-660. Contact factory for BHD and other UBD orientations.

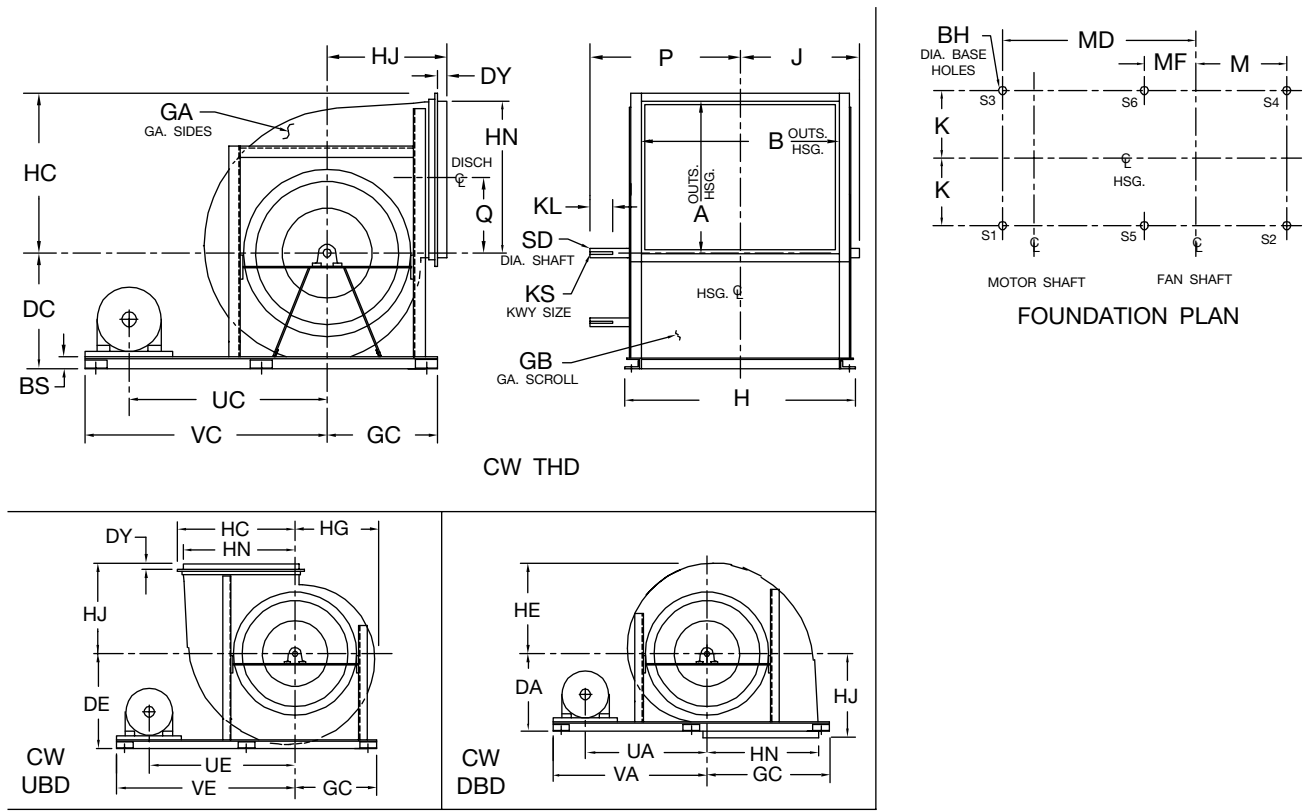
SIZE	A	B	BH	BS	DA	DC	DE	DY	FR	GA	GB	GC		H		HC
												DBD	THD/UBD	DBD	THD/UBD	
300	31.81	42.69	0.69	5.00	23.00	23.75	26.75	1.25	364T	10	12	35.25	21.50	53.50	51.50	33.25
330	35.13	46.69	0.69	5.00	24.50	26.00	29.38	1.50	365T	10	12	38.63	23.00	57.50	55.50	36.56
365	38.69	51.81	0.81	6.00	27.50	28.75	32.50	1.50	365T	10	12	42.63	25.50	62.63	62.63	40.13
402	42.63	57.19	0.81	6.00	30.00	31.56	35.69	1.50	405T	10	12	46.63	27.25	68.00	68.00	44.06
445	47.13	63.13	0.81	6.00	33.38	34.75	39.25	1.50	445T	10	12	51.13	29.25	73.88	73.88	48.56
490	51.94	69.44	0.81	6.00	37.00	38.19	43.19	1.50	445T	10	12	55.88	31.75	80.25	80.25	53.88

SIZE	HE	HG	HJ		HN	J	K		KL	KS	M		MD		
			DBD	THD/UBD			DBD	THD/UBD			DBD	THD	UBD		
300	25.75	22.75	24.50	23.31	31.75	26.25	25.50	23.88	5.50	0.63 x 0.31	32.25	18.50	53.50	56.50	61.25
330	28.38	25.00	26.00	25.75	35.06	28.25	27.50	25.88	5.50	0.63 x 0.31	35.63	20.00	55.75	59.13	64.13
365	31.50	27.75	29.00	28.50	38.63	31.13	30.06	28.94	5.50	0.63 x 0.31	39.63	22.50	58.50	62.25	67.63
402	34.69	30.56	31.50	31.50	42.56	33.81	32.75	31.63	6.00	0.63 x 0.31	43.63	24.25	67.00	71.00	77.13
445	38.25	33.75	34.88	34.88	47.06	36.56	35.69	34.56	6.00	0.75 x 0.38	48.13	26.25	73.68	78.13	84.63
490	42.19	37.19	38.50	38.50	51.88	41.13	38.88	37.75	7.00	0.88 x 0.44	52.88	28.75	76.88	81.75	88.75

AC16033C

DIMENSIONS NOT TO BE USED FOR CONSTRUCTION. CERTIFIED DRAWINGS AVAILABLE UPON REQUEST.

Arrangement 3F, DWDI, Non-Rotatable Class II (cont'd.)



Notes:

1. "CW" rotation, motor position "Z" shown. "CCW" rotation, motor position "W" is similar but opposite.
2. Standard Arr. 3F motor location is on the left for "CW" rotation units and on the right for "CCW" rotation. Dimension "FR" equals max. motor frame.
3. For optional flanged outlet, contact factory for Dwg. AC16045.
4. Dimension "MF" applies only when six (6) mounting brackets are required.
5. See ES4-98 for point loads at location "S1," "S2," etc.
6. See Dwg. AC16034 for sizes 542-660. Contact factory for BHD and other UBD orientations.

SIZE	MF			P	Q	SD	UA	UC	UE	VA	VC	VE
	DBD	THD	UBD									
300	—	—	—	32.88	15.81	2.437	43.75	46.75	51.50	56.50	59.50	64.25
330	—	—	—	34.88	17.50	2.437	46.00	49.38	54.38	58.75	62.13	67.13
365	—	—	—	37.75	19.25	2.687	48.75	52.50	57.88	61.50	65.25	70.63
402	11.69	—	—	40.94	21.25	2.687	55.63	59.63	65.75	70.00	74.00	80.13
445	12.75	—	29.19	43.81	23.50	2.937	61.00	65.50	72.00	76.63	81.13	87.63
490	12.00	26.50	30.00	49.44	25.88	3.437	64.25	69.13	76.13	79.88	84.75	91.75

AC16033C

DIMENSIONS NOT TO BE USED FOR CONSTRUCTION. CERTIFIED DRAWINGS AVAILABLE UPON REQUEST.





Model BAE-SW

Fans shall be Model BAE-SW Airfoil, as manufactured by Twin City Fan & Blower, Minneapolis, Minnesota.

PERFORMANCE — Fans shall be tested in accordance with AMCA 210 and AMCA 300 test codes for air moving devices and shall be licensed to bear the AMCA certified ratings seal for both sound and air.

Fans shall have a sharply rising pressure characteristic extending through the operating range and continuing to rise beyond the efficiency peak to ensure quiet and stable operation. Fans shall have a non-overloading design with self-limiting horsepower characteristics and shall reach a peak in the normal selection area. All fans shall be capable of operating over the minimum pressure class limits, as specified in AMCA Standard 99-2408-69.

HOUSING — BAE fan housings shall be of heavy gauge, continuously welded construction. Housings with lock seams or partially welded construction are not acceptable. Discharge flanges are to be provided for rigidity and duct connection. Housings shall be suitably braced to prevent vibration or pulsation. Housings shall have tapered spun, aerodynamically designed inlet cones or shrouds providing stable flow and high rigidity.

Class I and II sizes 270 and smaller, excluding Arrangement 3, shall be of the rotatable design, convertible to 8 standard discharge configurations.

WHEEL — Wheels shall be of the non-overloading type. Wheels shall have a precision spun, flat inlet cone to allow higher efficiencies over the performance range of the fan. Sizes 245 and smaller shall have airfoil-shaped, extruded aluminum blades. Sizes 270 and larger shall have die-formed airfoil steel blades with the option of extruded aluminum blades. All hollow blade wheels shall be continuously welded around all edges. All wheels shall be statically and dynamically balanced on precision electronic balancers to a Balance Quality Grade G6.3 per ANSI/AMCA 204 or better.

SHAFT — Shafts shall be AISI 1040 or 1045 hot rolled steel, accurately turned, ground, polished, and ring gauged for accuracy. Shafts shall be sized for the first critical speed of at least 1.43 times the maximum speed.

BEARINGS — Bearings shall be heavy duty, grease lubricated, spherical roller or adapter mounted anti-friction ball, self-aligning, pillow block type and selected for a minimum average bearing life (AFBMA L-50) in excess of 200,000 hours at the maximum fan RPM.

DRIVE — Motor sheaves shall be cast iron, variable pitch on applications 10 HP and smaller, and fixed pitch on 15 HP and larger. Drives and belts shall be located external to the fan casing and rated for 150% of the required motor HP.

FINISH AND COATING — The entire fan assembly, excluding the shaft, shall be thoroughly degreased and deburred before application of a rust-preventative primer. After the fan is completely assembled, a finish coat of paint shall be applied to the entire assembly. The fan shaft shall be coated with a petroleum-based rust protectant.

ACCESSORIES — When specified, accessories such as belt guards, weather covers, access doors, companion flanges, variable inlet vanes, outlet dampers, inlet boxes, shaft coolers, shaft seals, inlet screens, etc., shall be provided by Twin City Fan & Blower to maintain one source responsibility.

When specified, fans shall be supplied with internal or nested type variable inlet vanes for wheel diameters 16½" and larger. Cantilevered vane blades are to be used through Size 660 to minimize air performance insertion losses and noise. The operating mechanism shall be out of the inlet airstream.

FACTORY RUN TEST — All fans prior to shipment shall be completely assembled and test run as a unit at the specified operating speed or maximum RPM allowed for the particular construction type. Each wheel shall be statically and dynamically balanced in accordance with ANSI/AMCA 204 "Balance Quality and Vibration Levels for Fans" to Fan Application Category BV-3, Balance Quality Grade G6.3. Balance readings shall be taken by electronic type equipment in the axial, vertical, and horizontal directions on each of the bearings. Records shall be maintained and a written copy shall be available upon request.

GUARANTEE — The manufacturer shall guarantee the workmanship and materials for its BAE airfoil fans for at least one (1) year from startup or eighteen (18) months from shipment, whichever occurs first.



Model BAE-DW

Fans shall be Model BAE-DW Airfoil, as manufactured by Twin City Fan & Blower, Minneapolis, Minnesota.

PERFORMANCE — Fans shall be tested in accordance with AMCA 210 and AMCA 300 test codes for air moving devices and shall be licensed to bear the AMCA certified ratings seal for both sound and air.

Fans shall have a sharply rising pressure characteristic extending through the operating range and continuing to rise beyond the efficiency peak to ensure quiet and stable operation. Fans shall have a non-overloading design with self-limiting horsepower characteristics and shall reach a peak in the normal selection area. All fans shall be capable of operating over the minimum pressure class limits, as specified in AMCA Standard 99-2408-69.

HOUSING — BAE fan housings shall be of heavy gauge, continuously welded construction. Housings with lock seams or partially welded construction are not acceptable. Housings shall be suitably braced to prevent vibration or pulsation. Housings shall have spun, aerodynamically designed inlet cones or inlet venturies for smooth airflow into the wheels.

WHEEL — Wheels shall have a precision spun, flat inlet cone to allow higher efficiencies over the performance range of the fan. Sizes 245 and smaller shall have airfoil-shaped, extruded aluminum blades. Sizes 270 and larger shall have die-formed airfoil steel blades with the option of extruded aluminum blades. All hollow blade wheels shall be continuously welded around all edges. All wheels shall be statically and dynamically balanced on precision electronic balancers to a Balance Quality Grade G6.3 per ANSI/AMCA 204 or better.

SHAFT — Shafts shall be AISI 1040 or 1045 hot rolled steel, accurately turned, ground, polished, and ring gauged for accuracy. Shafts shall be sized for the first critical speed of at least 1.43 times the maximum speed.

BEARINGS — Bearings shall be heavy duty, grease lubricated, spherical roller or adapter mounted anti-friction ball, self-aligning, pillow block type and selected for a minimum average bearing life (AFBMA L-50) in excess of 200,000 hours at the maximum fan RPM.

DRIVE — Motor sheaves shall be cast iron, variable pitch on applications 10 HP and smaller, and fixed pitch on 15 HP and larger. Drives and belts shall be located external to the fan casing and rated for 150% of the required motor HP.

FINISH AND COATING — The entire fan assembly, excluding the shaft, shall be thoroughly degreased and deburred before application of a rust-preventative primer. After the fan is completely assembled, a finish coat of paint shall be applied to the entire assembly. The fan shaft shall be coated with a petroleum-based rust protectant.

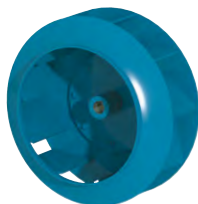
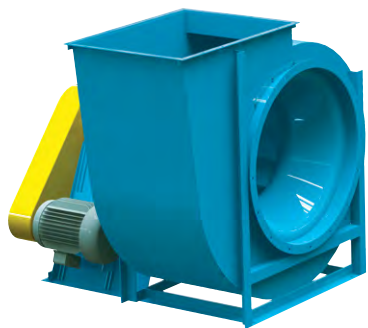
ACCESSORIES — When specified, accessories such as belt guards, weather covers, access doors, companion flanges, variable inlet vanes, outlet dampers, inlet boxes, shaft coolers, shaft seals, inlet screens, etc., shall be provided by Twin City Fan & Blower to maintain one source responsibility.

When specified, fans shall be supplied with internal or nested type variable inlet vanes for wheel diameters 16½" and larger. Cantilevered vane blades are to be used through Size 660 to minimize air performance insertion losses and noise. The operating mechanism shall be out of the inlet airstream. Double width fans shall have interconnecting linkage to ensure operation in unison.

FACTORY RUN TEST — All fans prior to shipment shall be completely assembled and test run as a unit at the specified operating speed or maximum RPM allowed for the particular construction type. Each wheel shall be statically and dynamically balanced in accordance with ANSI/AMCA 204 "Balance Quality and Vibration Levels for Fans" to Fan Application Category BV-3, Balance Quality Grade G6.3. Balance readings shall be taken by electronic type equipment in the axial, vertical, and horizontal directions on each of the bearings. Records shall be maintained and a written copy shall be available upon request.

GUARANTEE — The manufacturer shall guarantee the workmanship and materials for its BAE airfoil fans for at least one (1) year from startup or eighteen (18) months from shipment, whichever occurs first.

ALTERNATIVE CENTRIFUGAL FANS



Model BC-SW

Sizes

12.25" to 98.25" wheel diameters

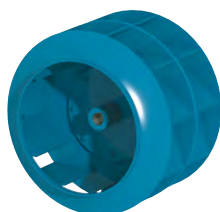
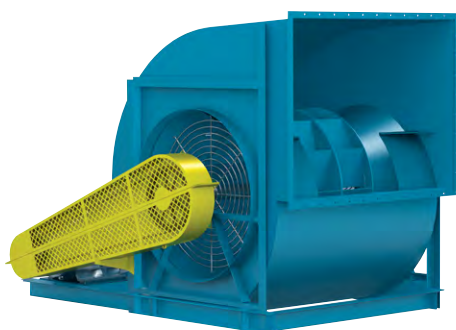
Performance

Airflow to 277,500 CFM

Static pressure to 20" w.g.



See Catalog 300 for more information



Model BC-DW

Sizes

12.25" to 89" wheel diameters

Performance

Airflow to 344,300 CFM

Static pressure to 14" w.g.



See Catalog 300 for more information



Model BAF-SW

Sizes

12.25" to 98.25" wheel diameters

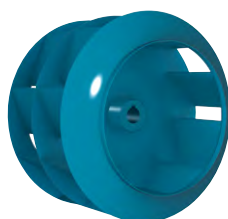
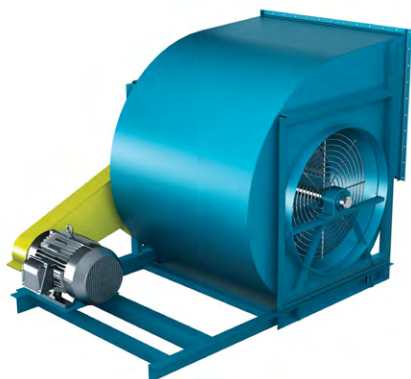
Performance

Airflow to 277,500 CFM

Static pressure to 20" w.g.



See Fan Selector for more information



Model BAF-DW

Sizes

12.25" to 89" wheel diameters

Performance

Airflow to 344,300 CFM

Static pressure to 14" w.g.



See Fan Selector for more information

Model BAFF (Composite)

Sizes

12" to 39" wheel diameters

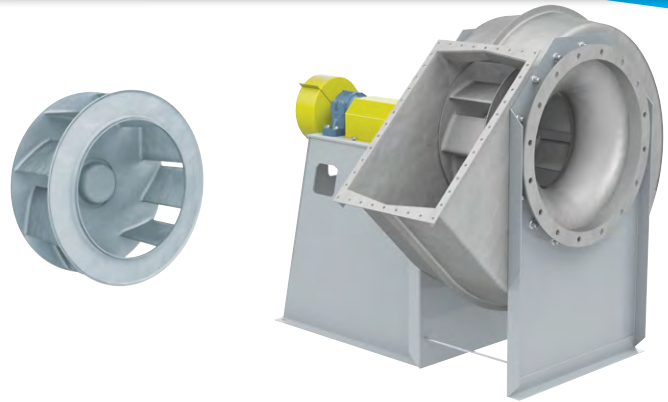
Performance

Airflow to 31,100 CFM

Static pressure to 13 inches w.g.



See Catalog 430 for more information



Model BCS

Sizes

16.5" to 89" wheel diameters

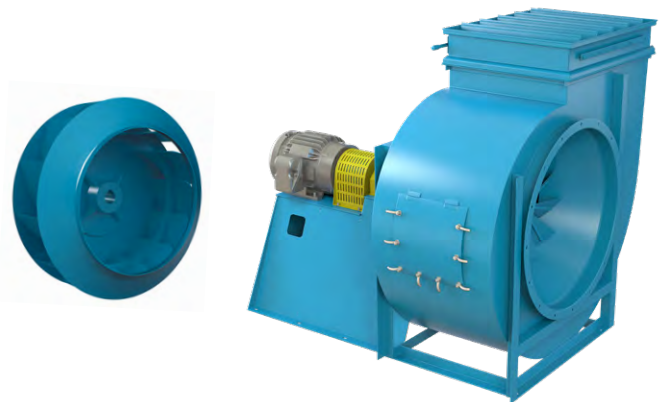
Performance

Airflow to 291,400 CFM

Static pressure to 40 inches w.g.



See Catalog 400 for more information



Model BCSF (Composite)

Sizes

16.5" to 60" wheel diameters

Performance

Airflow to 147,000 CFM

Static pressure to 26 inches w.g.



See Catalog 410 for more information



Model TCBI

Sizes

14.19" to 19.69" wheel diameters

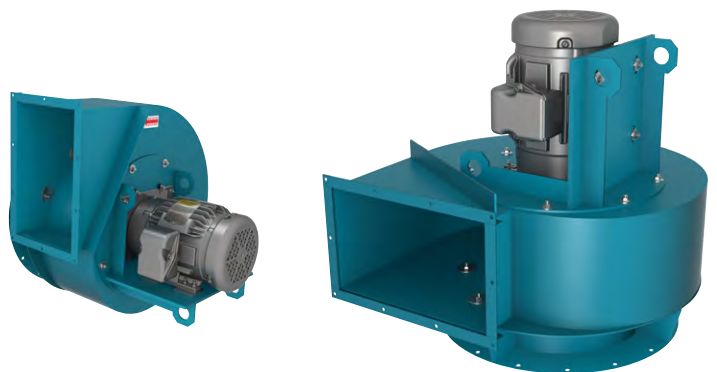
Performance

Airflow to 12,680 CFM

Static pressure to 18.4 inches w.g.



See Catalog 330 for more information



INDUSTRIAL PROCESS AND COMMERCIAL VENTILATION SYSTEMS

CENTRIFUGAL FANS | UTILITY SETS | PLENUM & PLUG FANS | INLINE CENTRIFUGAL FANS
MIXED FLOW FANS | TUBEAXIAL & VANEAXIAL FANS | PROPELLER WALL FANS | PROPELLER ROOF VENTILATORS
CENTRIFUGAL ROOF & WALL EXHAUSTERS | CEILING VENTILATORS | GRAVITY VENTILATORS | DUCT BLOWERS
RADIAL BLADED FANS | RADIAL TIP FANS | HIGH EFFICIENCY INDUSTRIAL FANS | PRESSURE BLOWERS
LABORATORY EXHAUST FANS | FILTERED SUPPLY FANS | MANCOOLERS | FIBERGLASS FANS | CUSTOM FANS



TWIN CITY FAN & BLOWER
WWW.TCF.COM

5959 TRENTON LANE N | MINNEAPOLIS, MN 55442 | PHONE: 763-551-7600 | FAX: 763-551-7601

©2018 Twin City Fan Companies, Ltd., Minneapolis, MN. All rights reserved. Catalog illustrations cover the general appearance of Twin City Fan & Blower products at the time of publication and we reserve the right to make changes in design and construction at any time without notice.