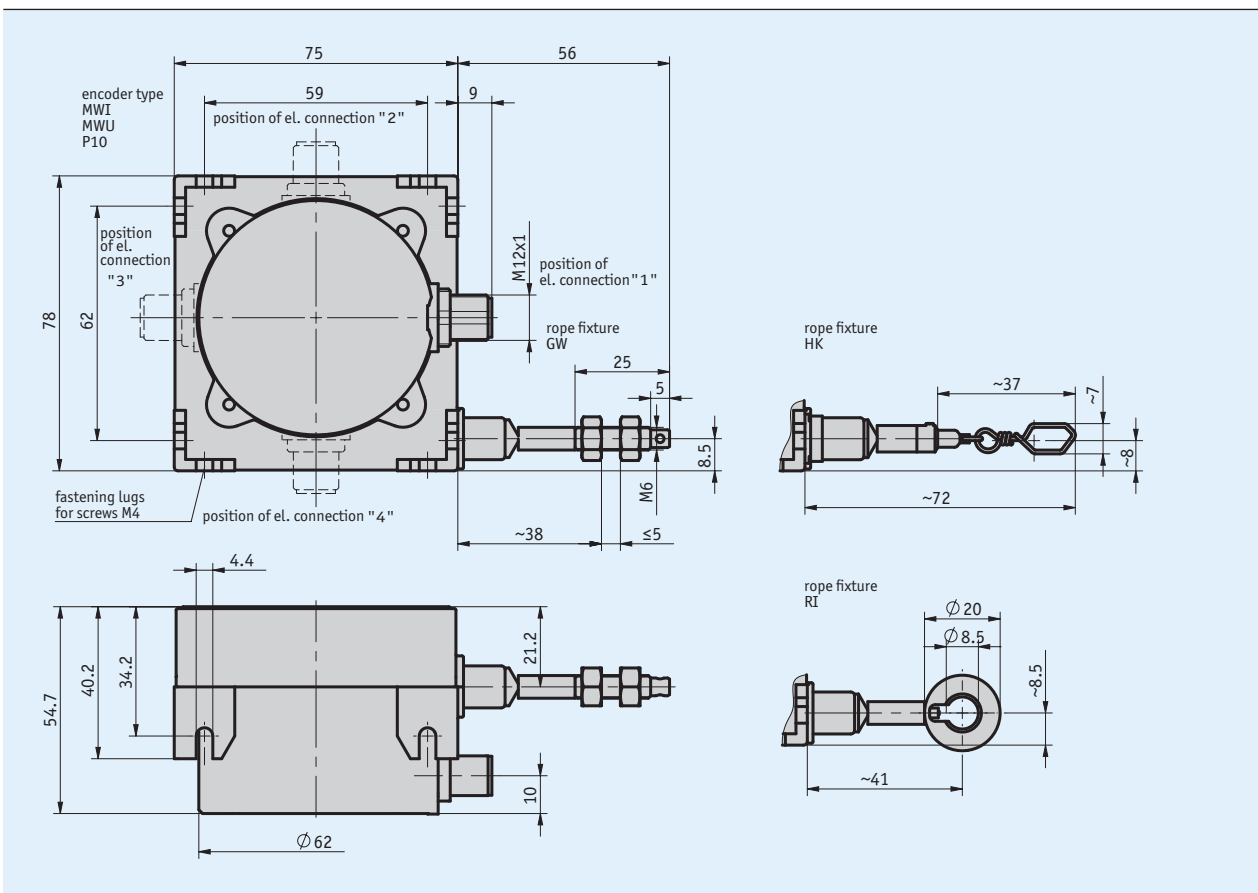
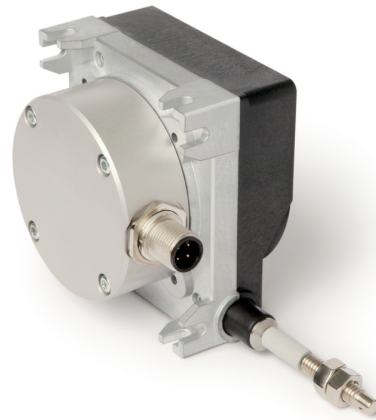


Profile

- Compact, robust design
- Variable mounting options
- Measuring lengths up to 3000 mm
- Potentiometer, voltage or power output
- Housing made of zinc die-cast and plastic
- Lockable ventilation holes against condensation
- High tightness at the rope outlet
- M12 plug connection



Mechanical data

Feature	Technical data	Additional information
Housing	zinc die-cast, plastic	
Wire design	$\varnothing 0.61$ mm $\varnothing 0.6$ mm	rustproof stainless steel, plastic-coated rustproof stainless steel
Extension force	≥ 9 N	
Cable length	≤ 30 m ≤ 20 m	P10, MWI encoder types MWU encoder type
Weight	~ 0.5 kg	

Electrical data

Encoder potentiometer

Feature	Technical data	Additional information
Power rating	2 W at 70 °C	
Resistance	10 kΩ	
Resistance tolerance	±5 %	
Linearity tolerance	±0.25 %	
Type of connection	M12 plug connector (A-coded)	4-pole, 1x pin

Transducer, power output

Feature	Technical data	Additional information
Operating voltage	7 ... 30 V DC	at 0 Ω load
	12 ... 30 V DC	at 250 Ω load
	17 ... 30 V DC	at 500 Ω load
Output current	4 ... 20 mA	
Type of connection	M12 plug connector (A-coded)	4-pole, 1x pin

Transducer, voltage output

Feature	Technical data	Additional information
Operating voltage	15 ... 28 V DC	at 3 mA without load
Output voltage	0 ... 10 V DC	$I_{load} \leq 10$ mA
Resistance	2 ... 10 kΩ	against GND
Load	≤15 mA	
Type of connection	M12 plug connector (A-coded)	4-pole, 1x pin

* Measurement transducers permit optimum adjustment of the output current and output voltage to the measuring range. The measurement transducer is pre-set at the works so that an output signal of 4 ... 20 mA (MWI) or 0 ... 10 V DC (MWU) is available.

System data

Feature	Technical data	Additional information
Repeat accuracy	±0.15 mm	per direction of approach
Measuring range	≤3000 mm	
Travel speed	≤800 mm/s	

Ambient conditions

Feature	Technical data	Additional information
Ambient temperature	-40 ... 80 °C	
Relative humidity		condensation inadmissible
Protection category	IP65 (encoder part)	EN 60529

Pin assignment

■ Potentiometric outputs P10

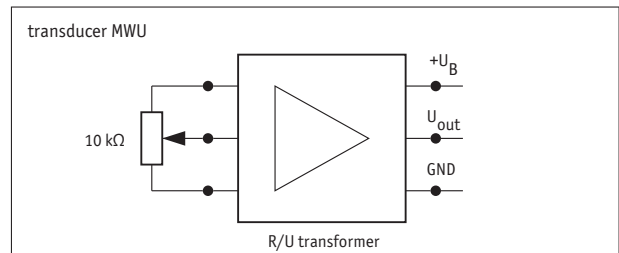
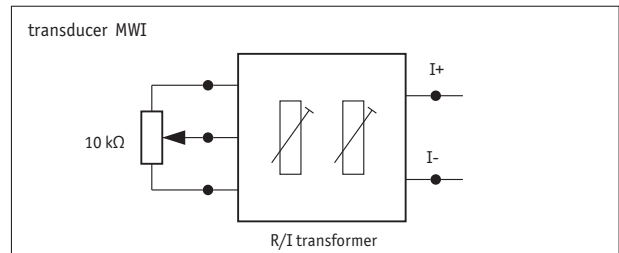
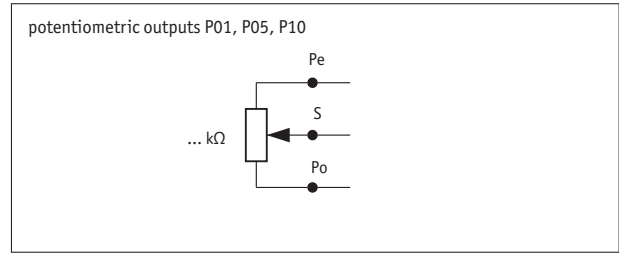
Signal	PIN
Po	1
Pe	2
S	3
	4

■ MWI transducer

Signal	PIN
I+	1
I-	2
nc	3
nc	4

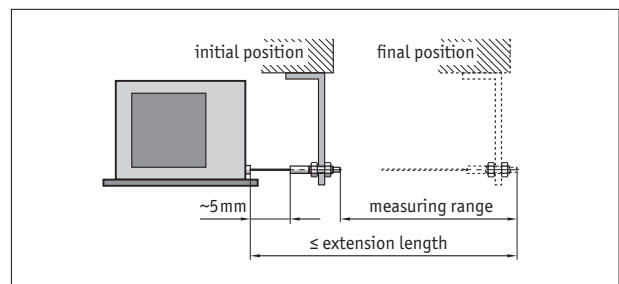
■ MWU transducer

Signal	PIN
+24 V DC	1
GND	2
U _{out}	3
nc	4



Hint for mounting

When securing the wire it must be ensured that the wire is straight and vertical in relation to the wire outlet.
 Recommendation: Only select the starting position after an unwound length of approx. 5 mm. This prevents the wire hitting the end stop when it is rewound.



Symbolic representation

Order

Ordering table

Feature	Ordering data	Specification	Additional information
Measuring range	... A	2000, 2500, 3000 in mm	
Rope fixture	GW	wire suspension with thread	
	HK	wire suspension with hook	
	RI	wire suspension with ring	
Wire design	S	stainless steel rope	
	SK	stainless steel rope, plastic-coated	
Encoder type	MWI	transducer, current	
	MWU	transducer, voltage	
	P10	potentiometer	
Position of electrical connection	1	direction of wire outlet	
	2	upward	
	3	opposite the wire outlet	
	4	downward	

Order key

SG30 - - - - -
A B C D E

Scope of delivery: SG30

Accessories you can find:

Electronic display MA50

Guide roller UR

Wire extension piece SV

Mating Connector Overview

Mating connector, P10, MWI, MWU, 4-pole, socket

Mating connector, P10, MWI, MWU, 4-pole, socket

www.siko-global.com

www.siko-global.com

www.siko-global.com

www.siko-global.com

Order key 83419

Order key 83526