



# Sac Osage Electric Cooperative

# News

P.O. Box 111, 4815 E HWY 54  
El Dorado Springs, MO 64744  
Telephone: 800-876-2701

Visit us on the Web - [www.sacosage.com](http://www.sacosage.com)



A Touchstone Energy® Cooperative 

December 2021

## Work Progresses to Make Sac Osage Lines Fiber-Ready



A crew of Kelly Eck, Randon Marshall, Rodney Williams, and Brian Fugate perform a pole replacement overlooking 54 highway.

Excitement has been building since Sac Osage announced its fiber to the home project. By partnering with Conexon Connect, Sac Osage is committed to making high speed broadband Internet to every one of its members.

The process is multi-stepped and involves a lot of preparation. The current electric system must be cleared and inspected to see what changes need to be made for the fiber to be added to the distribution system.

Once the plan is in place, the linemen make the necessary changes to the system. It sometimes includes whole pole change-outs to get the necessary clearance, and adjustments extending from substations to the last point of service on a line. The process is well underway in the El Dorado Springs area. It will continue over the next three years to get broadband service to all members.

Members can learn more about the broadband service and pre-register from the cooperative's website.

*Sac Osage Offices  
will be closed  
December 24th  
and 31st  
Have A  
Merry Christmas  
&  
Happy New Year*



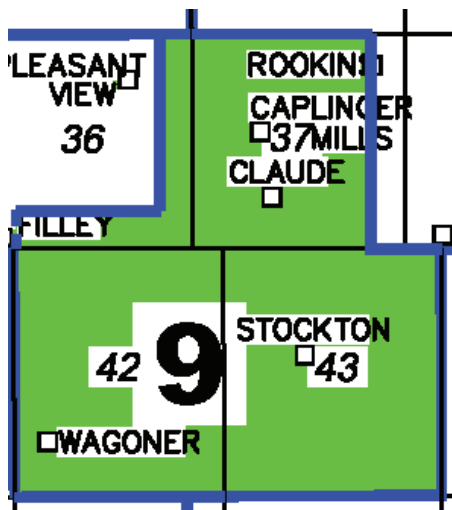
Jared Asmus, Randy Fletcher, and Josh Heiserman after completing work on reclosers in the El Dorado Springs substation.



## Brian Hubbard Named Director for District 9



Brian Hubbard has been appointed to represent the members of District 9. Brian attended his first board meeting in October and will serve the three year term left vacant after the 2021 Annual Meeting in September. More information about Brian and the other board members can be found on [www.sacosage.com](http://www.sacosage.com).



## Demand Rates Offer Opportunities for Winter Savings

Winter weather can lead to higher energy usage. Sac Osage’s low kilowatt hour energy charge of \$0.062 per kilowatt hour makes it more affordable to use electric heat. The key is to keep the on-peak demand low.

Programmable thermostats can be very useful on homes with electric furnaces to beat the winter peak. Raising the temperature setting prior to the peak hours and having it lower during peak times can provide consistent saving. Members should keep in mind that Sac Osage charges on the highest one-hour demand during peak hours for the month, so changes should only be considered if they can be done consistently. One day of raising the thermostat in the hours of 6-9AM or 4-7PM will likely set a new peak.

While space heaters can often cause higher bill if left running along with a central heating system, they can be useful in lowering demand if used properly. The key is to turn the whole house thermostat to a low enough temperature that it will not turn on during the peak hours. Then people can use a space heater for a small area they are occupying. Higher costs can result from leaving a space heater to run when the area is not being used and raising the overall electric bill unnecessarily. Also, a space heater running in a room when the thermostat is not turned down will only add to the peak and thus the member’s electric bill.

All of the usual winter saving tips will apply to demand pricing as well.

- Open shades during the daytime to let sunlight warm the home.
- Make sure extra items such as electric blankets are not left on all day.
- Caulk and seal around windows and doors.
- Close storm windows and eliminate drafts.
- Use LED lights for home and decorating.

- Dress warmer and lower the thermostat.
- Add attic insulation.

These steps will save on both kilowatt hour energy charges and demand.

## Heat Pumps Provide Efficient Heating and Cooling All Year

Heat pumps do not create heat. They move heat around more efficiently than conventional air conditioners and heaters. An air source heat pump can be used to remove excess heat from indoors to out, or bring heat in during the winter. Geothermal heat pumps use stable ground temperature to heat and cool your home. Both of these heat pumps can be more efficient and cost less to operate than conventional air conditioners and forced air heaters. More information about heat pumps is provided on the next page.

Sac Osage offers rebates on heat pumps through Take Control and Save. Take Control and Save is sponsored by our power provider, Associated Electric Cooperative. Rebates can save members up to \$750/ton on a new system. Learn more at: [www.sacosage.com](http://www.sacosage.com)



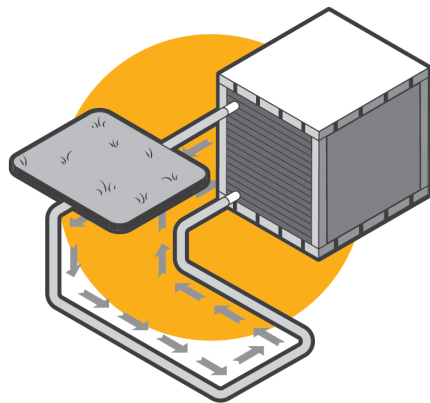
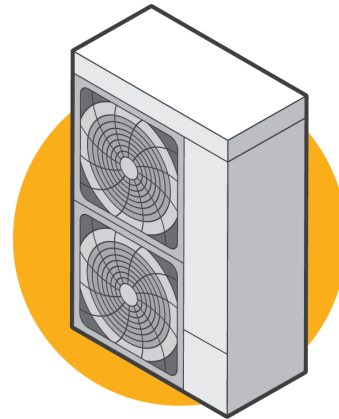
## Types of Heat Pumps

There are three main types of heat pump systems. Use the information below to determine the system that's best suited for your climate and home.

### Air-Source Heat Pumps

- Most commonly used heat pumps
- Moves heat rather than converting it from a fuel like combustion heating systems do
- Can reduce heating costs by about 50 percent when compared to baseboard heaters or electric furnaces
- Newer, more efficient systems now represent a legitimate space heating alternative in colder regions like the Northeast and Midwest.

**Note:** *If temperatures in your area drop below 10 to 25 F, you will need an auxiliary heating system (depending on the size of the system).*

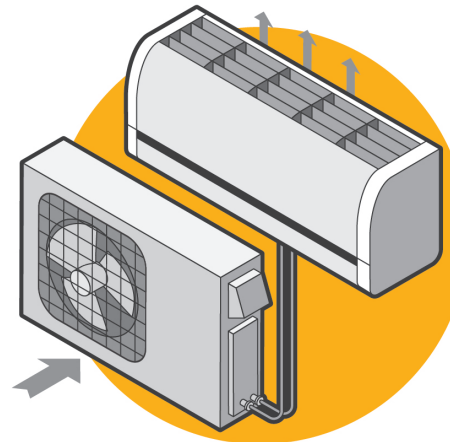


### Geothermal Heat Pumps

- More expensive to install but provide more energy savings for heating and cooling
- Move heat through pipes buried underground
- When compared to a conventional heating system, can reduce energy use by 25 to 50 percent
- Effective in extreme climates
- Not ideal for smaller lots and certain soil conditions

### Ductless Mini-Split Heat Pumps

- Easier to install, quiet, small in size
- Flexible for heating and cooling individual rooms and smaller spaces
- No energy loss through ductwork, which accounts for more than 30 percent of a home's energy use for space heating/cooling.
- Installation can be pricey, but federal incentives may be available



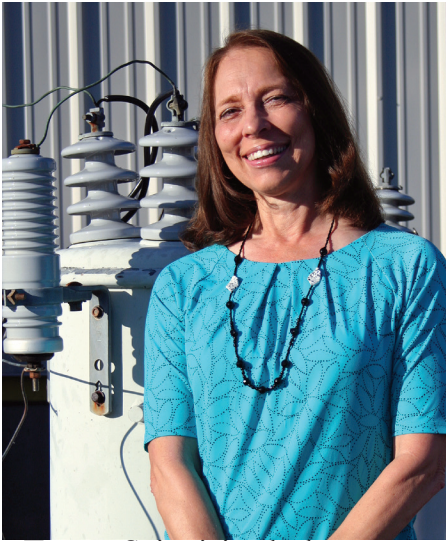
Heat pump systems should be installed by a licensed professional. Contact your local electric cooperative for more information about options and potential incentives.

Sources: Dept. of Energy and Consumer Reports





## Joyce Cain Retired in 2021



Joyce Cain joined the cooperative in 2000. For more than twenty years she was a familiar face to our members who came by the cooperative headquarters to pay their electric bill. Her experience and positivity will be missed.

## Keep Yourself and Linemen Safe: Do Not Post or Hang Anything on Utility Poles

Most jobs do not require you to climb 40 feet in the air and conduct business within a few feet of high voltage power lines that carry 7,200 volts of electricity. However, for many utility workers, this is just another day at the office.

Across the nation there are millions of utility poles that provide the electricity that powers everything in your daily life — including the brewing of your morning cup of coffee and the lighting you turn off before going to bed. The electricity we depend on would not be possible without the utility workers who maintain and repair

## Cooperative Employees Hit Service Milestones



From left: Joshua Heiserman, 15 years; Kent Henry, 45 years; Tysen Sayler, 10 years; Scott Witt, 35 years; Kelly McPeak, 35 years. Sac Osage is proud of their employees' years of experience providing reliable electric service.

these utility poles.

The Safe Electricity program urges everyone to keep utility poles free from all personal materials such as balloons, fliers, and metal objects like staples or tacks. By respecting utility poles, you can help keep your community powered, and your local utility workers safe.

This practice is not only illegal in many areas, but also creates hazards for the linemen who repair and maintain utility poles and other electrical infrastructure and can increase your monthly utility bill.

Utility workers use specialized climbing devices to perform regular maintenance and repair damaged power lines at the top of utility poles. Nails, tacks, and other metal objects that are used to attach objects to utility poles can interfere with the safe operation of the climbing boots used by utility workers.

Foreign objects that are embedded in utility poles can also snag or damage the protective clothing that keeps line workers safe from electrical shock. These men and women already work in extremely hazardous conditions,

so everyone who relies on electricity should take steps to make their job as safe as possible.

Other items that have been found on utility poles include tree stands for hunting. If you plan on hunting, do not place tree stands or other objects on utility poles. Doing so not only creates a risk for utility workers, but it is also extremely dangerous for yourself or anyone who uses it. For your own safety, please keep as much distance between yourself and overhead power lines as possible.

