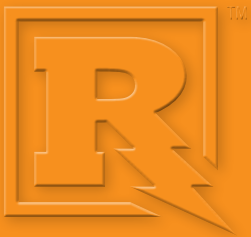




Connectors

PRODUCT CATALOG
2023 EDITION

Overhead &
Underground Equipment



More than 70 years of high-quality products and unmatched customer service

Richards Manufacturing Company has been a trusted supplier of electrical and natural gas distribution products since 1945. Our philosophy has remained the same to this day—we demand excellence in every product we design, test and manufacture. We are dedicated to providing outstanding customer support to satisfy every inquiry, no matter how small.

Within this catalog, you will find a wide selection of electrical distribution products that make up our Connector Product Line. These products represent many decades of engineering and manufacturing excellence. We have the flexibility to offer solutions to address the special requirements of our diverse customer base. If you do not find what you're looking for in this catalog, please contact the factory to discuss your specific requirements.

Also from the Richards Manufacturing family

Medium Voltage

Richards designs, tests, and manufactures medium voltage power cable accessories for use through 35kV. Our facility utilizes advanced injection molding processes and a state-of-the-art high voltage test lab to make a product that is both cost-competitive and reliable. In addition to "standard" products, our selection includes a number of innovative solutions that were designed to solve specific industry issues.

Natural Gas

Richards Manufacturing Company supplies natural gas utilities with a wide variety of Meter Connections and Accessories, Manifold Assemblies, and Prefabricated Meter Assemblies.

Network Protectors, Relays, and Network Communications

Richards is the largest supplier of Network Protectors in the world. We manufacture several designs of Network Protectors from 800 through 5100 Amps. In addition, we recondition utility-owned units and provide a complete array of replacement components.

ETI™ is a division of Richards Manufacturing with extensive engineering and electronics expertise. The portfolio of products offered by ETI includes Microprocessor Network Protector Relays (MNPR®), Transformer/Vault/Network Protector monitoring sensors, and customized SCADA communications enclosures.

ETI helps end-users design and implement monitoring systems for their underground network distribution systems. These custom solutions incorporate information from sensors and MNPR® relays, and provide a means of transmitting, reporting, storing and displaying that data. More than 20 major utilities worldwide depend on ETI's MNPR® to automate their underground networks.

CONTENTS

Aluminum Compression Lugs	Series	Page
Short-Barrel Aluminum Lugs (One- & Two-Hole)	SAL Series	3
Short-Barrel Aluminum Lugs	SAL Series (continued)	4
One-Hole Aluminum Lugs	AL Series	5
One-Hole Aluminum Lugs	AL Series (continued)	6
Straight & Stacking One-Hole Aluminum Lugs – Common Die	ALCD & ASLCD Series	7
Straight & Stacking Two-Hole Aluminum NEMA Lugs	AL-N Series	8
Straight & Stacking Two-Hole Aluminum NEMA Lugs	AL-N Series (continued)	9
Straight & Stacking Two-Hole Aluminum NEMA Lugs – Common Die	ALCD-N Series	10
Tapered Aluminum Lugs	TAL Series	11
Tapered Aluminum Lugs	TAL Series (continued)	12
Pin Terminals	APT Series	13
Four-Hole Aluminum NEMA Lugs	AL-4N Series	14

Copper Compression Lugs	Series	Page
Short-Barrel Copper Lugs	SCL Series	17
Short-Barrel Copper Lugs	SCL Series (continued)	18
One-Hole Copper Lugs	CL Series	19
One-Hole Copper Lugs	CL Series (continued)	20
Straight & Stacking Two-Hole Copper NEMA Lugs	CL-2N & CSL-2N Series	21
Straight & Stacking Two-Hole Copper NEMA Lugs	CL-2N & CSL-2N Series (continued)	22
Four-Hole Copper Lugs	CL-4N Series	23
Heavy-Duty Copper Lugs	HDCL Series	24
Tapered Copper Lugs	TCL Series	25
Tapered Copper Lugs	TCL Series (continued)	26
One-Hole Peephole Copper Lugs	CL-P Series	27
One-Hole Peephole Copper Lugs	CL-P Series (continued)	28
Two- & Four-Hole Peephole Copper NEMA Lugs	CL-N-P Series	29
Mechanical Copper Lugs	ML Series	30
Angled Copper Lugs	CL-2N-90 Series	31
Shrouded Copper Lugs	CL-66 Series	32
Copper Pin Terminals	CPT Series	33
Ring Bus Copper Lugs Assembly	MT Series	34

Aluminum Compression Connectors	Series	Page
Short Aluminum Splices	SALC Series	37
Aluminum Splices	ALC Series	38
Aluminum Splices – Common Die	ALCCD Series	39
Tapered Aluminum Splices	OATC Series	40
Tapered Aluminum Splices – Common Die	OATCCD Series	41
Aluminum Tees	ALT Series	42
Aluminum Tapered Tees	ALTT Series	43
Aluminum Tapered Tees	ALTT Series (continued)	44
Aluminum Reducers	ALCR Series	45
Tapered Aluminum Reducers	OATCR Series	46
Aluminum Reducers – Common Die	ALCRCD Series	47

Copper Compression Connectors	Series	Page
Short Copper Splices	SCC Series	51
Copper Splices	CC Series	52
Tapered Copper Splices	TCC Series	53
Straight Oil-Stop Copper Splices	OCC Series	54
Tapered Oil-Stop Copper Splices	OTCC Series	55
Copper Compression Tees	CCT Series	56

Tapered Copper Compression Tees.....	TCCT Series	57
Copper Compression Reducers.....	CCR Series	58
Tapered Copper Compression Reducers	TCCR Series	59
Oil-Stop Copper Compression Reducers	OCCR Series.....	60
Oil-Stop Tapered Copper Compression Reducers	OTCCR Series.....	61
Corrugated Copper Reducing Adapters.....	CRA Series	62

Split Tinned Connectors

Series

Page

Split Tinned Straight Connectors	RSS Series	65
Split Tinned Concentric Reducing Connectors.....	CR Series	66
Split Tinned Branch Connectors – Full Duplex.....	FD Series.....	67
Split Tinned Branch Connectors – Half Duplex	HD Series	68
Split Tinned Tee Connectors	ST Series.....	69
Lead Splicing Sleeves.....	LSV Series.....	70

Distribution Equipment

Series

Page

Bronze Vise Connectors – Jaws Overlap	VC Series.....	73
Aluminum Hot-Line Clamps	AHLC Series	74
Bronze Hot-Line Clamps	BHLC Series	75
Aluminum Hot-Line Clamps	AHLC-397 Series.....	76
Aluminum Parallel Clamps With Plastic Covers	APC Series	77
Aluminum & Bronze Stirrup Connectors.....	ASC & BSC Series.....	78
Aluminum Clamshell Stirrups.....	BCASC Series.....	79
Bronze Vise Connectors – Jaws Meet.....	VC-H Series.....	80
Tank Ground Connectors	RTG Series	81
Service Drop Connectors	RSD Series	82
Mid-Span Clamps.....	SDC & SEC Series.....	83
Neutral Dead Ends.....	RDE Series	84
Stirrups	RST Series.....	85
Overhead Bail Clamps.....	RB Series	86
Bolted Wedge Connectors.....	RBWC Series	87
Bronze Parallel Vise Connectors	VC-80XX Series.....	88
Pedestal Connectors.....	PC371105 Series.....	89
Acorn Ground Clamps.....	ACRN Series.....	90
Neutral-Span Clamps	R07-1285 Series.....	91
Fiber Optic Clamp	RFB Series.....	92
Fiber Optic Offset Bracket.....	RFB Series.....	93
Aluminum Bolted Wedge Connector.....	ABWC Series	94

Underground Equipment

Series

Page

Bare Crab Joints For Joining Bare Neutral Cables.....	FJB Series	99
Insulated Crab Joints.....	FJI Series	100
Fusible Crab Joints – Tower Joints	TWJ Series.....	101
Tower Joint Accessories – Cable End Caps & Shells	TWJA Series.....	102
High-Temperature Filler Shell.....	TWJA Series.....	102
Tower Joint Accessories – Insulating Sleeves & Caps	TWJS Series.....	103
Insulating Sleeves For Use With “TWJ” Series Fusible Crab Joints.....	TWJS Series.....	103
Fusible Crab Joints With Pigtails.....	CJLP Series.....	104
Crab Joints With Pigtails.....	SJ Series.....	105
Mole Limiter Assembly	RMLA Series	106
Cable-To-Cable IN-LINE Limiter	CCLA Series	107
Cable-To-Cable Limiter Assembly	CCLA Series	108
Cable-To-Cable Limiters	CCL Series.....	109
Two-Piece Cable-To-Cable Limiter Insulating Sleeves.....	LS Series.....	110
High-Temperature Filler Shell For Cable-To-Cable Limiters	ALS Series.....	110

Cable-to-Cable Current Limiting Fuses	CCLF Series.....	111
Two-Piece Cable-to-Cable Current Limiting Fuse Sleeves.....	CCLF-CCR Series	111
Limiter Lug Assembly	CLLA Series.....	112
Limiter Lugs	CLL Series	113
Limiter Lug Accessories – Insulating Sleeves.....	LLS Series	114
Limiter Lug Accessories – High-Temperature Filler Shells.....	ALLS Series.....	114
Current Limiting Lugs	CLLF Series.....	115
Ring bus Limiter Lug Assembly.....	CLLA Series.....	116
Network Protector Terminals	NPT Series	117
Network Protector Terminals	NPT Series (continued)	118
Accessories For Network Protector Terminals.....		118
Disconnect Network Protector Terminals	NPT-DISC Series.....	119
Disconnect Legs For Disconnect Network Protector Terminals.....	RDL Series	120
Protector Fuses – Low-Loss “S” Fuse	LLF Series	121
Network Protector Fuses – “Z” Fuse	NPF-Q Series.....	122
Network Protector Fuses – “Y” Fuse	NPF-L Series	123
Network Protector Fuse with Fuse Cover Assembly	FCA	124
Lead Alloy Network Protector Fuses – Laminated Type – Standard Speed.....	Alloy Fuse Series	125
Lead Alloy Network Protector Fuses – Laminated Type – Time Lag	Alloy Fuse Series (continued).....	126
Lead Alloy Network Protector Fuses – Non-Laminated Type (Single Layer).....	NF Series.....	127
Copper Link Fuses.....	NWP Series	128
Copper Braids.....	CB Series	129
Secondary Spades.....	TRSS Series	130
Set Screw Connectors	SSCRW Series	131
Joint Casings.....	JC Series	132
Cable Rack Arms	RA Series	133
Stanchions	RA Series	134
Standard Cable Rack Arms.....	SCRA Series	135
Pigtail Plug	PTP Series.....	136
Lifting Hooks	RLH Series	137
Insulated T-Wrench.....		138

Pole Line Hardware	Series	Page
---------------------------	---------------	-------------

Eyelets.....	RENUT Series	141
“J” Hooks	RJH Series.....	142
Single-Position Equipment Brackets	LPB Series.....	143
Grid Gains & Crossarm Gains.....	RGG & RCG Series	144
Crossarm Support Gains.....	RCSG Series	145
Pole-Eye Plates.....	RPEP Series.....	146
Guy Hooks	RGH Series	147
Aerial Clamps	RAC Series	148
Turnbuckles.....	RTB Series	149
Pole-Top Extensions	RPTA Series.....	150
Three-Hole Messenger Clamps.....	RSC1204 Series	151
Heavy-Duty Messenger Clamps.....	RHDC Series	152
Swivel Nuts	SN Series	153

Rubber Products	Series	Page
------------------------	---------------	-------------

Cable End Caps	CCAP Series	157
Insulated Connector Covers	348 Series.....	158
Wildlife Protectors – Plastic	RWP Series.....	159
Wildlife Protectors – Rubber	BG Series	160

Reference	Series	Page
------------------	---------------	-------------

Index		162
-------------	--	-----

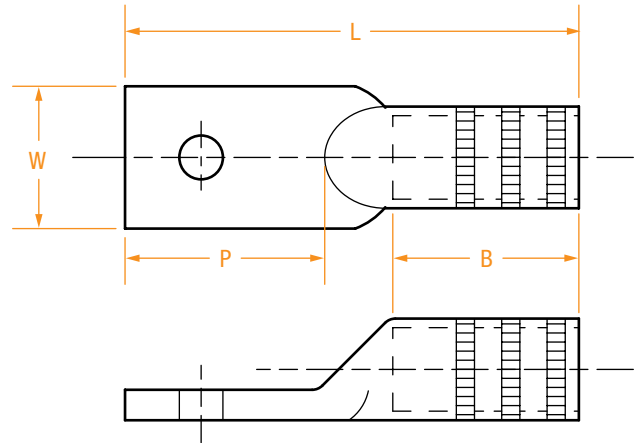
Aluminum Compression Lugs



Aluminum Compression Lugs

	Series	Page
Short-Barrel Aluminum Lugs (One- & Two-Hole)	SAL Series	3
Short-Barrel Aluminum Lugs	SAL Series (continued)	4
One-Hole Aluminum Lugs	AL Series	5
One-Hole Aluminum Lugs	AL Series (continued)	6
Straight & Stacking One-Hole Aluminum Lugs – Common Die	ALCD & ASLCD Series	7
Straight & Stacking Two-Hole Aluminum NEMA Lugs	AL-N Series	8
Straight & Stacking Two-Hole Aluminum NEMA Lugs	AL-N Series (continued)	9
Straight & Stacking Two-Hole Aluminum NEMA Lugs – Common Die	ALCD-N Series	10
Tapered Aluminum Lugs	TAL Series	11
Tapered Aluminum Lugs	TAL Series (continued)	12
Pin Terminals	APT Series	13
Four-Hole Aluminum NEMA Lugs	AL-4N Series	14

- Made of high-conductivity aluminum – tin plated
- Accepts both aluminum and copper conductors
- Filled with an oxide-inhibiting compound
- Marked with conductor size and die information
- For NEMA standards or any other special size requirements



ALUMINUM LUGS

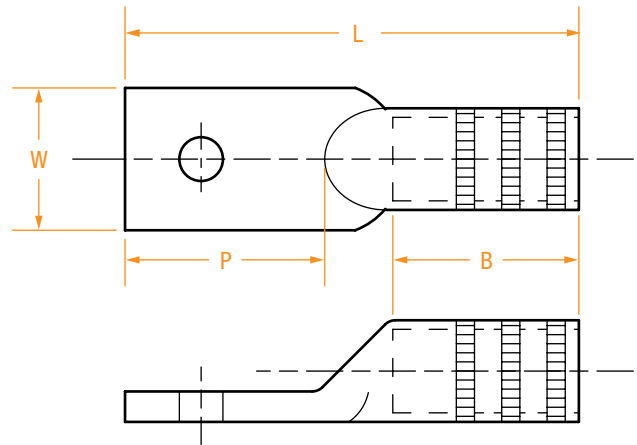
PART NUMBER*	WIRE SIZE	# OF HOLES	BOLT SIZE	INSTALLING DIES	DIMENSIONS IN INCHES			
					B	L	P	W
SAL3	#6	1	1/4	5/16, 346, TP	3/4	1-3/4	5/8	5/8
SAL5	#4	1	5/16	TB, 375	7/8	2-3/16	13/16	13/16
SAL7	#2	1	3/8	TQ, 348, 1/2	1-1/8	2-1/2	7/8	7/8
SAL8	#1	1	3/8	TQ, 348, 1/2	15/16	2-9/16	1-1/8	3/4
SAL9	1/0	1	3/8	TU, BG, 5/8	1	2-9/16	1-1/8	13/16
SAL9-2N	1/0	2	3/8	TU, BG, 5/8	1	3-5/8	2-3/16	13/16
SAL10	2/0	1	1/2	TWTY, 297, 5/8-1	1-1/8	2-15/16	1-5/16	15/16
SAL10-2N	2/0	2	1/2	TWTY, 297, 5/8-1	1-1/8	4-11/16	3-1/16	15/16
SAL11	3/0	1	1/2	TV, 467, 781	1-1/4	3-3/16	1-5/16	1-1/16
SAL11-2N	3/0	2	1/2	TV, 467, 781	1-1/4	4-15/16	3-1/16	1-1/16
SAL12	4/0	1	1/2	TX, 298, 840	1-5/16	3-5/16	1-5/16	1-3/16
SAL12-2N	4/0	2	1/2	TX, 298, 840	1-5/16	5-1/16	3-1/16	1-3/16
SAL13	250	1	1/2	TX, 840, 324	1-7/16	3-7/16	1-5/16	1-1/4
SAL13-2N	250	2	1/2	TX, 840, 324	1-7/16	3-5/8	3-3/4	1-3/16
SAL14	300	1	1/2	TH, 470, 1	1-1/2	3-7/8	1-5/16	1-3/8
SAL14-2N	300	2	1/2	TH, 470, 1	1-1/2	5-5/16	3-1/16	1-3/8
SAL15	350	1	5/8	96, 299, 1-1/8	1-5/8	4-1/8	1-5/16	1-1/2
SAL15-2N	350	2	5/8	96, 299, 1-1/8	1-5/8	4-7/8	3-1/16	1-1/2
SAL16	400	1	5/8	96, 472, 1-1/8	1-13/16	4-7/8	1-9/16	1-5/8
SAL16-2N	400	2	5/8	96, 472, 1-1/8	1-13/16	6-1/4	3-9/16	1-5/8
SAL18	500	1	5/8	106A, 300, 1-5/16	1-7/8	5-1/16	1-13/16	1-13/16
SAL18-2N	500	2	5/8	106A, 300, 1-5/16	1-7/8	6-7/16	3-9/16	1-13/16
SAL20	600	1	5/8	115H, 473, 1-5/16	2	5-5/16	1-13/16	2

(continued)

PART NUMBER*	WIRE SIZE	# OF HOLES	BOLT SIZE	INSTALLING DIES	DIMENSIONS IN INCHES			
					B	L	P	W
SAL20-2N	600	2	5/8	115H, 473, 1-5/16	2	6-5/8	3-9/16	2
SAL22	700	1	5/8	125H, 936, 1-1/2	2-1/4	5-3/4	1-13/16	2-3/16
SAL23-2N	750	2	5/8	125H, 936, 1-1/2	2-1/4	7-1/16	3-9/16	2-3/16
SAL24	800	1	5/8	140H, 474, 1-1/2	2-5/16	5-7/8	1-13/16	2-1/4
SAL24-2N	800	2	5/8	140H, 474, 1-1/2	2-5/16	7-1/8	3-9/16	2-1/4
SAL28	1000	1	5/8	150H, 302, 1-3/4	2-9/16	6-5/16	1-13/16	2-9/16
SAL28-2N	1000	2	5/8	150H, 302, 1-3/4	2-9/16	7-7/16	3-9/16	2-9/16
SAL30	1500	1	3/4	478, 189	3-3/16	7-9/16	2-1/16	3-1/16
SAL30-2N	1500	2	3/4	478, 189	3-3/16	8-7/16	3-9/16	3-1/16
SAL32	2000	1	3/4	479, 225	3-11/16	8-3/8	2-1/16	3-1/2
SAL32-2N	2000	2	3/4	479, 225	3-11/16	9-1/4	3-9/16	3-1/2

* For untinned lugs, add "-NT" from the part number (example: SAL3-NT for a #6 untinned lug with a 1/4" bolt).

- Made of high-conductivity aluminum – tin plated
- Accepts both aluminum and copper conductors
- Filled with an oxide-inhibiting compound
- Marked with conductor size and die information
- For NEMA standards or any other special size requirements



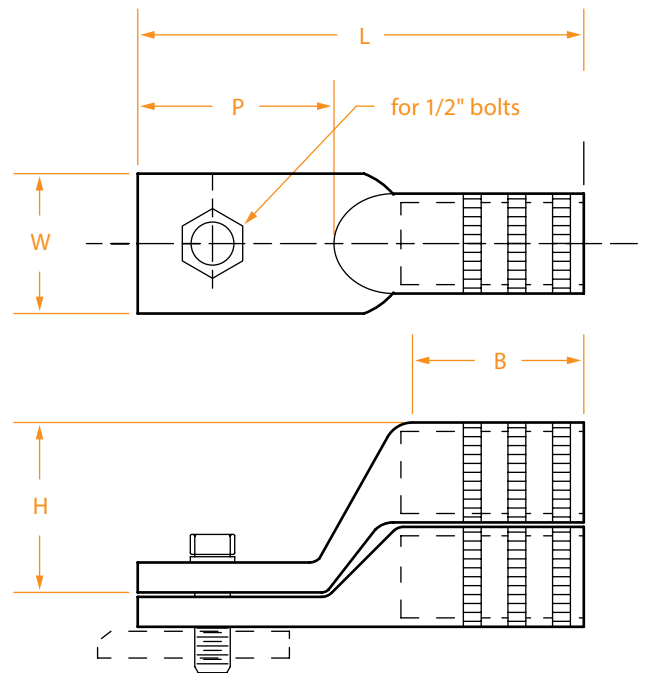
PART NUMBER*	WIRE SIZE	BOLT SIZE	INSTALLING DIES	DIMENSIONS IN INCHES			
				B	L	P	W
AL3-1/4	#6	1/4	5/16, 346, TP	13/16	2-5/32	7/8	9/16
AL5-1/4	#4	1/4	TB, 375	1	2-1/2	23/32	21/32
AL7-1/4	#2	1/4	TQ, 348, 1/2	1	2-1/2	23/32	21/32
AL9-3/8	1/0	3/8	TU, BG, 5/8	1-1/4	3-3/16	1-1/4	7/8
AL9	1/0	1/2	TU, BG, 5/8	1-1/4	3-3/16	1-1/4	7/8
AL10-3/8	2/0	3/8	TWTY, 297, 5/8-1	1-3/8	3-3/16	1-1/4	15/16
AL10	2/0	1/2	TWTY, 297, 5/8-1	1-3/8	3-3/16	1-1/4	15/16
AL11-3/8	3/0	3/8	TV, 467, 781	1-1/2	3-7/16	1-5/16	1-1/16
AL11	3/0	1/2	TV, 467, 781	1-1/2	3-7/16	1-5/16	1-1/16
AL12-3/8	4/0	3/8	TX, 298, 840	1-1/2	3-9/16	1-5/16	1-3/16
AL12	4/0	1/2	TX, 298, 840	1-1/2	3-9/16	1-5/16	1-3/16
AL13	250	1/2	TX, 840, 324	1-5/8	3-5/8	1-5/16	1-1/4
AL14	300	1/2	TH, 470, 1	2-1/4	4	1-5/16	1-3/8
AL15	350	1/2	96, 299, 1-1/8	2-1/4	4-1/4	1-5/16	1-1/2
AL16	400	1/2	96, 472, 1-1/8	2-1/2	4-7/8	1-1/4	1-5/8
AL16-5/8	400	5/8	96, 472, 1-1/8	2-1/2	4-7/8	1-1/4	1-5/8
AL18	500	1/2	106A, 300, 1-5/16	3	5-7/16	1-1/2	1-3/4
AL18-5/8	500	5/8	106A, 300, 1-5/16	3	5-7/16	1-1/2	1-3/4
AL20	600	1/2	115H, 473, 1-5/16	3	5-7/16	1-1/2	1-15/16
AL20-5/8	600	5/8	115H, 473, 1-5/16	3-1/16	5-11/16	1-9/16	1-15/16
AL23	700-750	1/2	125H, 608, 1-1/2	3-3/8	6-1/2	1-7/8	1-3/4
AL23-5/8	700-750	5/8	125H, 608, 1-1/2	3-3/8	6-1/2	1-7/8	1-3/4
AL24	800	1/2	140H, 474, 1-1/2	3-3/8	6-5/8	1-7/8	1-13/16

(continued)

PART NUMBER*	WIRE SIZE	BOLT SIZE	INSTALLING DIES	DIMENSIONS IN INCHES			
				B	L	P	W
AL24-5/8	800	5/8	140H, 474, 1-1/2	3-3/8	6-5/8	1-7/8	1-13/16
AL28	1000	1/2	150H, 725, 1-3/4	4-5/8	7-7/8	1-7/8	2-9/16
AL28-5/8	1000	5/8	150H, 725, 1-3/4	4-5/8	7-7/8	1-7/8	2-9/16

* For untinned lugs, add "-NT" to the part number (example: AL3-NT for a #6 untinned lug with a 1/4" bolt).

- Made of high-conductivity, tin plated aluminum
- Accepts both aluminum and copper conductors
- Filled with an oxide-inhibiting compound
- Reduces die inventory
- Provided with color-coded PVC cap for easy conductor size identification
- Marked with conductor size and die information



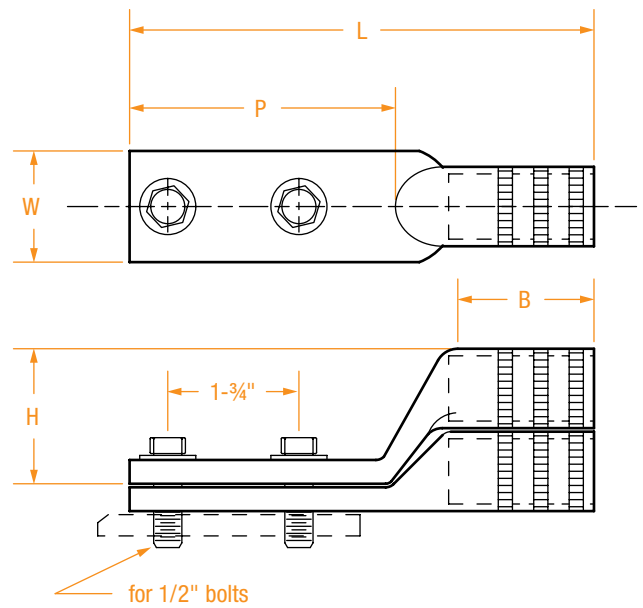
ALUMINUM LUGS

PART NUMBER		WIRE SIZE	INSTALLING DIES	DIMENSIONS IN INCHES				
Straight Lug	Stacking Lug			B	H*	L	P	W
ALCD2	ASLCD2	#8	687, 52, BG, TU, 243, 5/8, 8A, CSA 22	1-3/8	1-1/2	3-1/8	1-5/16	7/8
ALCD3	ASLCD3	#6		1-3/8	1-1/2	3-1/8	1-5/16	7/8
ALCD5	ASLCD5	#4		1-3/8	1-1/2	3-1/8	1-5/16	7/8
ALCD7	ASLCD7	#2		1-3/8	1-1/2	3-1/8	1-5/16	7/8
ALCD8	ASLCD8	#1		1-3/8	1-1/2	3-1/8	1-5/16	7/8
ALCD9	ASLCD9	1/0		1-3/8	1-1/2	3-1/8	1-5/16	7/8
ALCD10	ASLCD10	2/0	249, TX, 76, 658, 840, 324, 11A, CSA 24	1-7/16	1-3/4	3-1/4	1-3/8	1-1/4
ALCD11	ASLCD11	3/0		1-1/2	1-3/4	3-3/8	1-3/8	1-1/4
ALCD12	ASLCD12	4/0		1-1/2	1-3/4	3-3/8	1-3/8	1-1/4
	ASLCD13	250	1-1/2	1-3/4	3-3/8	1-3/8	1-1/4	
ALCD14		300	299, 96, 655, 321, 316, 1-1/8	1-5/8	—	3-5/8	1-3/8	1-1/4
ALCD15		350		1-5/8	—	3-5/8	1-3/8	1-1/4
ALCD16		400	300, 317, 1-5/16, 426	1-5/8	—	3-5/8	1-3/8	1-1/4
ALCD18		500		2-1/8	—	3-5/8	1-1/4	1-5/16

FOR OTHER SIZES, CONTACT YOUR SALES REPRESENTATIVE OR THE FACTORY.

* For stacking lugs only.

- Made of high-conductivity aluminum – tin plated
- Accepts both aluminum and copper conductors
- Filled with an oxide-inhibiting compound
- Marked with conductor size and die information
- In accordance with all NEMA standards



PART NUMBER		WIRE SIZE	INSTALLING DIES	DIMENSIONS IN INCHES				
Straight Lug	Stacking Lug			B	H**	L	P	W
AL3-2N	ASL3-2N	#6	375, TB	1-1/4	—	4-3/4	3-1/8	7/8
AL5-2N	ASL5-2N	#4	375, TB	1-1/4	—	4-3/4	3-1/8	7/8
AL7-2N	ASL7-2N	#2	52, BG, 243, 5/8	1-5/8	1-1/2	5-1/4	3-1/8	1
AL8-2N	ASL8-2N	#1	52, BG, 243, 5/8	1-1/2	1-1/2	5-1/4	3-1/8	1
AL9-2N	ASL9-2N	1/0	52, BG, 243, 5/8	1-1/2	1-1/2	5-1/8	3-1/8	1
AL10-2N	ASL10-2N	2/0	58, 297, 245, 5/8-1	1-3/4	1-5/8	5-1/2	3-1/8	1
AL11-2N	ASL11-2N	3/0	66, 167, 247, 781	1-7/8	1-3/4	5-5/8	3-1/8	1-1/8
AL12-2N	ASL12-2N	4/0	840, 298, TX	2	1-7/8	5-5/8	3-1/8	1-1/8
	ASL13-2N	250	840, 324, TX	2-1/8	2	6	3-1/8	1-1/8
AL14-2N	ASL14-2N	300	87H, 470, 251, 1	2-1/4	2	6-5/8	3-1/8	1-5/16
AL15-2N	ASL15-2N	350	96, 299, 655, 1-1/8	2-1/4	2-3/8	6-5/8	3-1/8	1-1/2
AL16-2N	ASL16-2N	400	96, 472, 705, 1-1/8	2-1/2	2-1/2	6-5/8	3-1/8	1-5/8
AL18-2N	ASL18-2N	500	106A, 300, 426 1-5/16	3	2-5/8	6-7/8	3-1/8	1-3/4
AL20-2N	ASL20-2N	600	115H, 473, 786 1-5/16	3	2-3/4	7-1/2	3-1/8	1-3/4
AL23-2N	ASL23-2N	700-750	140H, 301, 342, 1-1/2	3-3/8	3	7-1/2	3-1/8	1-3/4
AL24-2N	ASL24-2N	800	140H, 474, 724, 1-5/8	3-13/32	3-1/8	7-1/2	3-1/8	1-3/4
AL28-2N-W	ASL28-2N-W	1000	161, 302, 725, 1-3/4	4-11/16	3-1/4	9-1/2	3-5/8	2-9/16
AL28-2N	ASL28-2N	1000	161, 302, 725, 1-3/4	4-5/8	3-1/4	9-1/2	3-5/8	1-3/4
AL29-2N	ASL29-2N	1250	1-7/8, 727	4-5/8	—	9-5/8	3-5/8	1-3/4
AL30-2N	ASL30-2N	1500	478	5-9/16	—	10-7/8	3-5/8	3-3/16

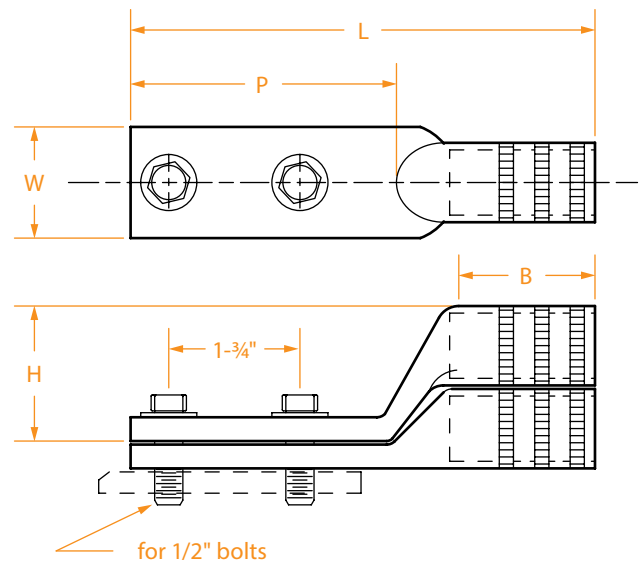
(continued)

PART NUMBER		WIRE SIZE	INSTALLING DIES	DIMENSIONS IN INCHES				
Straight Lug	Stacking Lug			B	H**	L	P	W
AL31-2N	ASL31-2N	1750	204, 729, 40AH	5-1/2	—	—	3-5/8	3-3/16
AL32-2N	ASL32-2N	2000	479	6-1/16	—	11-15/16	3-5/8	3-1/2

* For untinned lugs, add "-NT" to the part number (example: AL3-2N-NT for #6 straight untinned lug).

** For stacking lugs only.

- Made of high-conductivity aluminum – tin plated
- Accepts both aluminum and copper conductors
- Filled with an oxide-inhibiting compound
- Marked with conductor size and die information
- In accordance with all NEMA standards



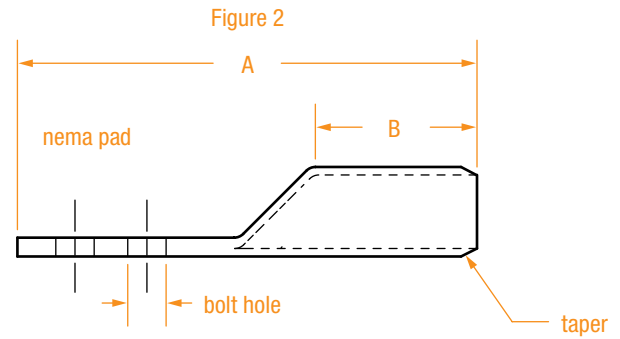
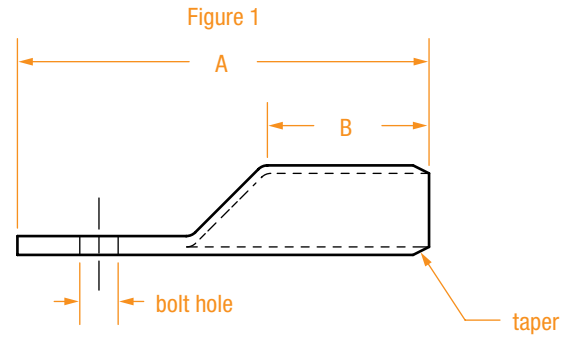
STRAIGHT LUG PART NUMBER*	STACKING LUG PART NUMBER*	WIRE SIZE	INSTALLING DIES	DIMENSIONS IN INCHES				
				B	H**	L	P	W
ALCD1-2N	ASLCD1-2N	#8	TU, 52, BG, 687, 243, 5/8, 8A	1-1/2	1-1/2	5-1/8	3-1/16	1-1/4
ALCD3-2N	ASLCD3-2N	#6		1-1/2	1-1/2	5-1/8	3-1/16	1-1/4
ALCD5-2N	ASLCD5-2N	#4		1-7/8	1-1/2	5-5/8	3-1/16	1-1/4
ALCD7-2N	ASLCD7-2N	#2		1-7/8	1-1/2	5-5/8	3-1/16	1-1/4
ALCD8-2N	ASLCD8-2N	#2 & #1		1-7/8	1-1/2	5-5/8	3-1/16	1-1/4
ALCD9-2N	ASLCD9-2N	1/0		1-7/8	1-1/2	5-5/8	3-1/16	1-1/4
ALCD10-2N	ASLCD10-2N	2/0	TX, 76, 324, 249, 658, 840, 11A	2	1-3/4	5-7/8	3-1/16	1-1/4
ALCD11-2N	ASLCD11-2N	3/0		2	1-3/4	6-5/16	3-1/16	1-1/4
ALCD12-2N	ASLCD12-2N	4/0		2	1-3/4	6-5/16	3-1/16	1-1/4
	ASLCD13-2N	250		2	1-3/4	6-5/16	3-1/16	1-9/16
ALCD14-2N	ASLCD14-2N	300	96, 299, 655, 1-1/8	2-1/4	—	6-1/2	3-1/16	1-9/16
ALCD15-2N	ASLCD15-2N	350		2-1/4	—	6-1/2	3-1/16	1-9/16
ALCD16-2N	ASLCD16-2N	400	300, 1-5/16, 317, 426	2-1/2	—	6-1/2	3-1/16	1-5/8
ALCD18-2N	ASLCD18-2N	500		2-3/4	—	6-5/8	3-1/16	1-5/8
ALCD23-2N	ASLCD23-2N	750	302, 1-3/4, 161	3-3/8	—	7-1/8	3-1/16	1-5/8
ALCD24-2N	ASLCD24-2N	800		3-3/8	—	7-1/8	3-1/16	1-5/8
ALCD28-2N	ASLCD28-2N	1000		3-7/8	—	7-5/8	3-1/16	1-5/8

FOR OTHER SIZES, CONTACT YOUR SALES REPRESENTATIVE OR THE FACTORY.

* For untinned lugs, add "-NT" to the part number (example: ALCD2-2N-NT for a #8 straight untinned lug).

** For stacking lugs only.

- Made of high-conductivity aluminum – tin plated
- Accepts both aluminum and copper conductors
- Filled with an oxide-inhibiting compound
- Marked with conductor size and die information
- In accordance with all NEMA standards



PART NUMBER*	FIGURE	WIRE SIZE	INSTALLING DIES	PAD WIDTH	BOLT HOLE	DIMENSIONS IN INCHES	
						A	B
TAL5	1	#4	375, 162, 3/8, 37	11/16	7/16	2-3/16	7/8
TAL7	1	#2	239, 348, 1/2, 6A, 42	13/16	7/16	2-1/2	1
TAL8	1	#1	243, 296, 5/8, 8A, 49	7/8	7/16	3-3/16	1-1/4
TAL9	1	1/0	243, 296, BG, 5/8, 8A, 49	7/8	7/16	3-3/16	1-1/4
TAL9-2N	2	1/0	243, 296, BG, 5/8, 8A, 49	7/8	9/16	5-9/32	1-1/2
TAL10	1	2/0	245, 297, 5/8-1, 9A, 60	31/32	9/16	3-3/16	1-3/8
TAL10-2N	2	2/0	245, 297, 5/8-1, 9A, 60	31/32	9/16	5-1/2	1-1/2
TAL11	1	3/0	247, 467, 781, 10A, 66	1-1/16	9/16	3-7/16	1-1/2
TAL11-2N	2	3/0	247, 467, 781, 10A, 66	1-1/16	9/16	5-1/2	1-1/2
TAL12	1	4/0	298, 840, 11A, 71	1-1/4	9/16	3-9/16	1-1/2
TAL12-2N	2	4/0	298, 840, 11A, 71	1-1/4	9/16	5-15/16	1-3/4
TAL13	1	250	249, 840, 11A, 71	1-1/4	9/16	3-5/8	1-5/8
TAL13-2N	2	250	249, 840, 11A, 71	1-1/4	9/16	6	1-3/4
TAL14	1	300	251, 470, 1.00, 12A, 96	1-13/32	9/16	4	2-1/4
TAL14-2N	2	300	251, 470, 1.00, 12A, 96	1-13/32	9/16	6-9/16	2-1/4
TAL15	1	350	299, 321, 1-1/8, 13A, 96	1-9/16	9/16	4-1/4	2-1/4
TAL15-2N	2	350	299, 321, 1-1/8, 13A, 96	1-9/16	9/16	6-9/16	2-1/4

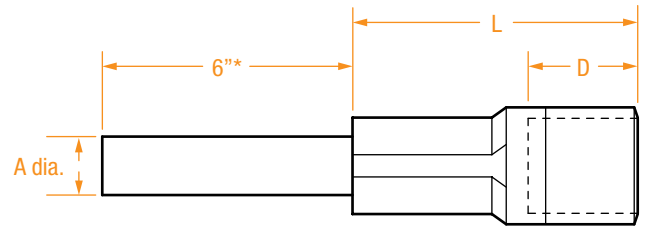
(continued)

PART NUMBER*	FIGURE	WIRE SIZE	INSTALLING DIES	PAD WIDTH	BOLT HOLE	DIMENSIONS IN INCHES	
						A	B
TAL16-2N	2	400	472, 523, 1-1/8, 14A, 106	1-21/32	9/16	6-7/8	2-1/2
TAL18-2N	2	500	300, 317, 1-5/16, 15A, 106	1-27/32	9/16	7-5/16	3
TAL20-2N	2	600	473, 525, 1-5/16, 125	2	9/16	7-1/2	3
TAL23-2N	2	750	301, 527, 1-1/2, 140	2-3/16	9/16	8-1/4	3-3/8
TAL24-2N	2	800	474, 725, 1-5/8, 140	2-9/32	9/16	8-1/4	3-3/8
TAL28-2N	2	1000	302, 292, 1-3/4, 150	2-17/32	9/16	9-5/8	4-5/8
TAL30-2N	2	1500	478, 189	3-3/32	9/16	10-13/16	5-1/2
TAL32-2N	2	2000	479, 225	3-19/32	9/16	11-7/8	6

FOR OTHER SIZES, CONTACT YOUR SALES REPRESENTATIVE OR THE FACTORY.

* For untinned lugs, add "-NT" to the part number (example: TAL5-NT for a #4 untinned lug).

- For Aluminum and ACSR cable
- Accepts both aluminum and copper conductors
- Fabricated from high-conductivity aluminum and soft-drawn, solid tin-plated copper wire
- Filled with an oxide-inhibiting compound
- Marked with conductor size and die information
- Available in a variety of cable and pin sizes

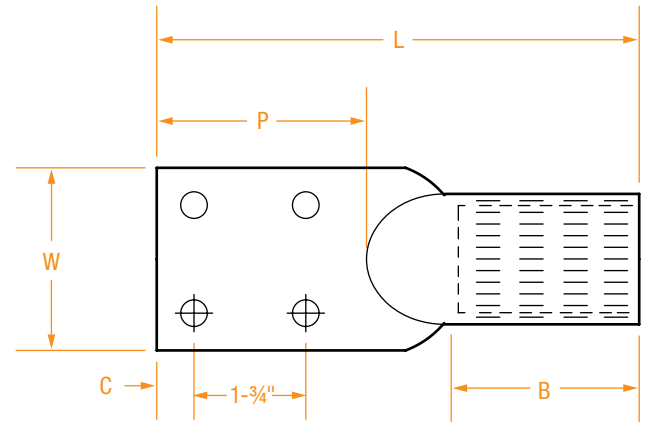


PART NUMBER	ALUMINUM CABLE SIZE	DIE INFORMATION	PIN DIAMETER A	DIMENSIONS IN INCHES	
				L	D
APT7	#2	5/8, 296	0.250	3.25	1.78
APT9	1/0	5/8, 296	0.250	3.25	1.78
APT10	2/0	324, 840	0.312	4.22	2.28
APT12	4/0	324, 840	0.375	4.22	2.28
APT15	350	1-1/8, 299	0.460	5.25	3.00
APT18	500	140H, 301	0.750	6.30	3.41
APT23	750	140H, 301	0.750	6.30	3.41
APT28	1000	140H, 301	0.875	6.30	3.41

FOR OTHER SIZES, CONTACT YOUR SALES REPRESENTATIVE OR THE FACTORY.

* Available with any length pin – standard pin length is 6".

- Made of high-conductivity aluminum – tin plated
- Accepts both aluminum and copper conductors
- Filled with an oxide-inhibiting compound
- Marked with conductor size and die information
- In accordance with all NEMA standards



PART NUMBER	WIRE SIZE	INSTALLING DIES	DIMENSIONS IN INCHES				
			B	C	L	P	W
AL15-4N	350	96, 299, 655, 1-1/8	3	5/8	7-5/16	3	3
AL18-4N	500	106A, 300, 426 1-5/16	3	5/8	7-5/16	3	3
AL23-4N	750	140H, 301, 342, 1-1/2	4	5/8	8-1/2	3	3
AL24-4N	800	140H, 474, 724, 1-5/8	4	5/8	8-1/2	3	3
AL28-4N	1000	161, 302, 725, 1-3/4	5-5/8	5/8	10-3/8	3	3
AL28CR-4N	1000	161, 302, 725, 1-3/4	6	5/8	11-1/4	3	3
AL29-4N	1250	1-7/8, 727	6	5/8	11-1/8	3-3/8	3-1/8

FOR OTHER SIZES, CONTACT YOUR SALES REPRESENTATIVE OR THE FACTORY.

Copper Compression Lugs




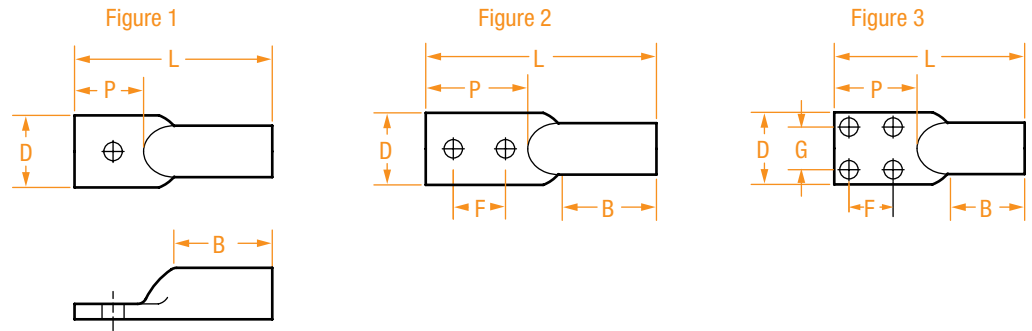
Copper Compression Lugs

	Series	Page
Short-Barrel Copper Lugs	SCL Series	17
Short-Barrel Copper Lugs	SCL Series (continued)	18
One-Hole Copper Lugs	CL Series	19
One-Hole Copper Lugs	CL Series (continued)	20
Straight & Stacking Two-Hole Copper NEMA Lugs	CL-2N & CSL-2N Series	21
Straight & Stacking Two-Hole Copper NEMA Lugs	CL-2N & CSL-2N Series (continued)	22
Four-Hole Copper Lugs	CL-4N Series	23
Heavy-Duty Copper Lugs	HDCL Series	24
Tapered Copper Lugs	TCL Series	25
Tapered Copper Lugs	TCL Series (continued)	26
One-Hole Peephole Copper Lugs	CL-P Series	27
One-Hole Peephole Copper Lugs	CL-P Series (continued)	28
Two- & Four-Hole Peephole Copper NEMA Lugs	CL-N-P Series	29
Mechanical Copper Lugs	ML Series	30
Angled Copper Lugs	CL-2N-90 Series	31
Shrouded Copper Lugs	CL-66 Series	32

Copper Pin Terminals.....CPT Series..... 33
Ring Bus Copper Lugs AssemblyMT Series..... 34

COPPER LUGS

- Made of seamless copper tubing
- Tin-plated to resist corrosion
- Marked with conductor sizes and die information
-  UL listed




PART NUMBER	FIGURE	WIRE SIZE	BOLT SIZE	INSTALLING DIES	DIMENSIONS IN INCHES				
					L	B	P	D	F & G
SCL3	1	#6	8, 9, or 10	J, 7, TE, 24	1-17/32	13/16	17/32	13/32	—
SCL3-1/4	1	#6	1/4	J, 7, TE, 24	1-11/16	13/16	11/16	7/16	—
SCL3-5/16	1	#6	5/16	J, 7, TE, 24	1-25/32	13/16	23/32	1/2	—
SCL5	1	#4	8, 9 or 10	5/16, 8, TP, 29	1-1/2	13/16	1/2	1/2	—
SCL5-1/4	1	#4	1/4	5/16, 8, TP, 29	1-3/4	13/16	11/16	1/2	—
SCL5-3/8	1	#4	3/8	5/16, 8, TP, 29	1-15/16	13/16	7/8	19/32	—
SCL7-1/4	1	#2	1/4	3/8, 10, TL-TN, 33	1-7/8	7/8	7/8	5/8	—
SCL7-5/16	1	#2	5/16	3/8, 10, TL-TN, 33	1-7/8	7/8	7/8	5/8	—
SCL7-3/8	1	#2	3/8	3/8, 10, TL-TN, 33	1-7/8	7/8	7/8	5/8	—
SCL7-2(3/8)	2	#2	3/8	3/8, 10, TL-TN, 33	3	7/8	1-7/8	5/8	1
SCL7-390	1	#2	3/8	3/8, 10, TL-TN, 33	1-3/4	7/8	7/8	11/16	—
SCL8-5/16	1	#1	5/16	3/8, 11, TB, 37	1-31/32	7/8	25/32	11/16	—
SCL9-5/16	1	1/0	5/16	1/2, 12, TQ, 42	2-1/32	7/8	25/32	3/4	—
SCL9-3/8	1	1/0	3/8	1/2, 12, TQ, 42	2-5/32	7/8	29/32	3/4	—
SCL9-2(5/16)	2	1/0	5/16	1/2, 12, TQ, 42	2-15/16	7/8	1-21/32	3/4	7/8
SCL10-2(1/4)	2	2/0	1/4	9/16, 13, TS, 45	3-1/4	15/16	1-3/4	13/16	7/8
SCL10-2(3/8)	2	2/0	3/8	9/16, 13, TS, 45	3-1/4	15/16	1-3/4	13/16	7/8
SCL10-3/8	1	2/0	3/8	9/16, 13, TS, 45	2-9/32	15/16	29/32	13/16	—
SCL10	1	2/0	1/2	9/16, 13, TS, 45	3	1-1/8	1-3/8	13/16	7/8
SCL10-2N	2	2/0	1/2	9/16, 13, TS, 45	4-15/32	15/16	3	13/16	1-3/4
SCL11-2(3/8)	2	3/0	3/8	5/8, 14, TU, 50	3-1/4	1-1/4	1-7/8	15/16	7/8
SCL11-3/8	1	3/0	3/8	5/8, 14, TU, 50	2-3/8	1-1/4	29/32	29/32	—

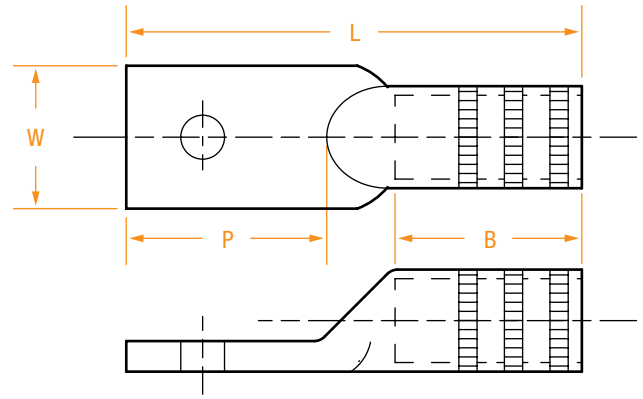
COPPER LUGS

(continued)

PART NUMBER	FIGURE	WIRE SIZE	BOLT SIZE	INSTALLING DIES	DIMENSIONS IN INCHES				
					L	B	P	D	F & G
SCL11-2N	2	3/0	1/2	5/8, 14, TU, 50	4-19/32	1-1/4	3	29/32	1-3/4
SCL12-3/8	1	4/0	3/8	5/8, 15, TW-TY, 54	2-1/2	1-1/4	7/8	1	—
SCL12	1	4/0	1/2	5/8, 15, TW-TY, 54	2-1/2	1-1/4	7/8	1	—
SCL12-2N	2	4/0	1/2	5/8, 15, TW-TY, 54	4-3/4	1-1/4	3	1-1/32	1-3/4
SCL13	1	250	1/2	11/16, 16, TR, 60	2 11/16	1-1/4	1-5/32	1-3/32	—
SCL13-2N	2	250	1/2	11/16, 16, TR, 60	4-3/4	1-1/4	3	1-3/32	1-3/4
SCL14	1	300	1/2	781, 17, TV, 66	2-15/16	1-1/4	1-5/32	1-3/16	—
SCL14-2N	2	300	1/2	781, 17, TV, 66	4-13/16	1-1/4	3	1-3/16	1-3/4
SCL15	1	350	1/2	840, 18, TX, 71	3	1-1/8	1-1/2	1-9/32	—
SCL15-2N	2	350	1/2	840, 18, TX, 71	4-29/32	1-1/8	3	1-9/32	1-3/4
SCL16	1	400	5/8	15/16, 19, TX, 76	3-11/32	1-13/32	1-13/32	1-3/16	—
SCL16-2N	2	400	1/2	15/16, 19, TX, 76	5-1/32	1-3/16	3	1-13/16	1-3/4
SCL18	1	500	5/8	1, 20, TH, 87	3-5/8	1-3/8	1-1/2	1-17/32	—
SCL18-2N	2	500	1/2	1, 20, TH, 87	5-5/16	1-3/8	3	1-17/32	1-3/4
SCL20	1	600	5/8	1-1/8, 22, 96	3-13/16	1-3/8	1-3/4	1-11/16	—
SCL20-2N	2	600	1/2	1-1/8, 22, 96	4-1/8	1-3/8	3	1-11/16	1-3/4
SCL23	1	750	5/8	1-5/16, 24, 106	4-11/32	1-5/8	1-15/16	1-29/32	—
SCL23-2N	2	750	1/2	1-5/16, 24, 106	5-3/4	1-5/8	3	1-29/32	1-3/4
SCL28	1	1000	5/8	1-1/2, 27, 125	4-7/8	1-7/8	2-1/8	2-3/16	—
SCL28-2N	2	1000	1/2	1-1/2, 27, 125	6-5/32	1-7/8	3	2-3/16	1-3/4
SCL28-4N	3	1000	3/8	1-1/2, 27, 125	4-15/16	1-7/8	2-3/16	2-3/16	1-1/8
SCL30	1	1500	3/4	31	5-15/32	2	2-1/4	2-11/16	—
SCL30-2N	2	1500	1/2	31	6-17/32	2	3	2-11/16	1-3/4
SCL30-4N	3	1500	1/2	31	5-27/32	2	2-5/8	2-11/16	1-3/8
SCL32	1	2000	3/4	34	5-15/16	2-1/4	2-3/8	3-1/16	—
SCL32-2N	2	2000	1/2	34	7	2-1/4	3	3-1/16	1-3/4
SCL32-4N	3	2000	1/2	34	6-5/16	2-1/4	2-3/4	3-1/16	1-3/4

FOR OTHER SIZES, CONTACT YOUR SALES REPRESENTATIVE OR THE FACTORY.

- Made of seamless copper tubing
- Tin-plated to resist corrosion
- Marked with conductor sizes and die information
-  UL listed



PART NUMBER	WIRE SIZE	BOLT SIZE	INSTALLING DIES	DIMENSIONS IN INCHES			
				B	L	P	W
CL2-1/4	#8	1/4	1/4, 6, TC, 21	1	1-25/32	19/32	13/32
CL2-5/16	#8	5/16	1/4, 6, TC, 21	1	1-15/16	3/4	7/16
CL2-3/8	#8	3/8	1/4, 6, TC, 21	1	1-15/16	3/4	15/16
CL3-1/4	#6	1/4	J, 7, TE, 24	1-1/8	2-1/8	3/4	1/2
CL3-5/16	#6	5/16	J, 7, TE, 24	1-1/8	2-1/8	3/4	1/2
CL3-3/8	#6	3/8	J, 7, TE, 24	1-1/8	2-1/8	3/4	11/16
CL5-1/4	#4	1/4	5/16, 8, TP, 29	1-3/16	2-1/16	3/4	5/8
CL5-5/16	#4	5/16	5/16, 8, TP, 29	1-3/16	2-1/16	3/4	5/8
CL5-3/8	#4	3/8	5/16, 8, TP, 29	1-3/16	2-1/16	3/4	5/8
CL7-1/4	#2	1/4	3/8, 10, TL-TN, 33	1-1/4	2-1/4	3/4	11/16
CL7-5/16	#2	5/16	3/8, 10, TL-TN, 33	1-1/4	2-1/4	3/4	11/16
CL7-3/8	#2	3/8	3/8, 10, TL-TN, 33	1-1/4	2-1/4	3/4	11/16
CL7	#2	1/2	3/8, 10, TL-TN, 33	1-1/4	2-5/8	1	7/8
CL8-1/4	#1	1/4	3/8, 11, TB, 37	1-3/8	2-43/64	57/64	11/16
CL8-5/16	#1	5/16	3/8, 11, TB, 37	1-3/8	2-43/64	57/64	11/16
CL8-3/8	#1	3/8	3/8, 11, TB, 37	1-3/8	2-43/64	57/64	11/16
CL8	#1	1/2	3/8, 11, TB, 37	1-3/8	2-57/64	1-7/64	3/4
CL9-5/16	1/0	5/16	1/2, 12, TQ, 42	1-7/16	2-49/64	57/64	3/4
CL9-3/8	1/0	3/8	1/2, 12, TQ, 42	1-7/16	2-49/64	57/64	3/4
CL9	1/0	1/2	1/2, 12, TQ, 42	1-7/16	2-63/64	1-7/64	3/4
CL10-5/16	2/0	5/16	9/16, 13, TS, 45	1-1/2	2-57/64	57/64	13/16
CL10-3/8	2/0	3/8	9/16, 13, TS, 45	1-1/2	2-57/64	57/64	13/16
CL10	2/0	1/2	9/16, 13, TS, 45	1-1/2	3-7/64	1-7/64	13/16
CL11-5/16	3/0	5/16	5/8, 14, TU, 50	1-1/2	2-59/64	57/64	29/32

COPPER LUGS


(continued)

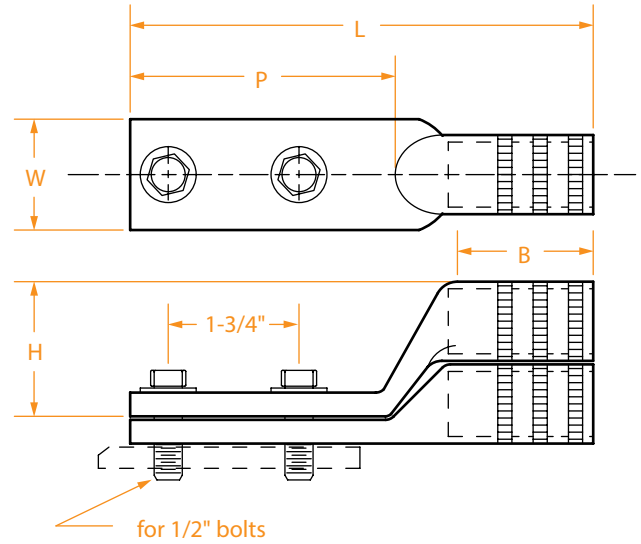
PART NUMBER	WIRE SIZE	BOLT SIZE	INSTALLING DIES	DIMENSIONS IN INCHES			
				B	L	P	W
CL11-3/8	3/0	3/8	5/8, 14, TU, 50	1-1/2	3-9/64	1-7/64	29/32
CL11	3/0	1/2	5/8, 14, TU, 50	1-1/2	3-9/64	1-7/64	29/32
CL12-5/16	4/0	5/16	5/8-1, 15, TW-TY, 54	1-9/16	3-1/64	57/64	1
CL12-3/8	4/0	3/8	5/8-1, 15, TW-TY, 54	1-9/16	3-15/64	1-7/64	1
CL12	4/0	1/2	5/8-1, 15, TW-TY, 54	1-9/16	3-15/64	1-7/64	1
CL13-5/16	250	5/16	11/16, 16, TR, 60	1-5/8	3-11/64	57/64	1-1/8
CL13-3/8	250	3/8	11/16, 16, TR, 60	1-5/8	3-25/64	1-7/64	1-1/8
CL13	250	1/2	11/16, 16, TR, 60	1-5/8	3-25/64	1-7/64	1-1/8
CL14-3/8	300	3/8	781, 17, TV, 66	2	3-51/64	1-7/64	1-7/32
CL14	300	1/2	781, 17, TV, 66	2	3-51/64	1-7/64	1-7/32
CL15-3/8	350	3/8	840, 18, TX, 71	2	3-55/64	—	1-9/32
CL15	350	1/2	840, 18, TX, 71	2	3-55/64	—	1-9/32
CL16-3/8	400	3/8	15/16, 19, TX, 76	2	3-59/64	—	1-13/32
CL16	400	1/2	15/16, 19, TX, 76	2	4-5/32	1-7/16	1-13/32
CL16-5/8	400	5/8	15/16, 19, TX, 76	2	4-5/32	1-7/16	1-13/32
CL18	500	1/2	1, 20, TH, 87	2-1/2	4-3/8	1-7/16	1-9/16
CL18-5/8	500	5/8	1, 20, TH, 87	2-1/2	4-3/8	1-7/16	1-9/16
CL20	600	1/2	1-1/8, 22, 96, 94H	2-11/16	5-1/8	1-3/4	1-11/16
CL20-5/8	600	5/8	1-1/8, 22, 96, 94H	2-11/16	5-1/8	1-3/4	1-11/16
CL23	750	1/2	1-5/16, 24, 106	2-7/8	5-11/16	1-15/16	1-29/32
CL23-5/8	750	5/8	1-5/16, 24, 106	2-7/8	5-11/16	1-15/16	1-29/32
CL23-3/4	750	3/4	1-5/16, 24, 106	2-7/8	5-11/16	1-15/16	1-29/32
CL28	1000	1/2	1-1/2, 27, 125	3	6-1/4	2-1/8	2-3/16
CL28-5/8	1000	5/8	1-1/2, 27, 125	3	6-1/4	2-1/8	2-3/16
CL28-3/4	1000	3/4	1-1/2, 27, 125	3	6-1/4	2-1/8	2-3/16

FOR OTHER SIZES, CONTACT YOUR SALES REPRESENTATIVE OR THE FACTORY.

STRAIGHT & STACKING TWO-HOLE COPPER NEMA LUGS

CL-2N & CSL-2N Series

- Made of seamless copper tubing
- Tin-plated to resist corrosion
- The "CSL" lugs are offset to allow the connection of two lugs to a common surface
- The "offset" allows clearance between the lug barrels
-  UL listed



STRAIGHT PART NUMBER	STACKING PART NUMBER	WIRE SIZE	BOLT SIZE	INSTALLING DIES	DIMENSIONS IN INCHES				
					B	H*	L	P	W
CL3-2N-1/4		#6	1/4	J, 7, TE, 24	1	—	4-1/2	3	15/32
CL3-2N-5/16		#6	5/16	J, 7, TE, 24	1	—	4-1/2	3	17/32
CL5-2N-1/4		#4	1/4	5/16, 8, TP, 29	1	—	4-1/2	3	1/2
CL5-2N-5/16		#4	5/16	5/16, 8, TP, 29	1	—	4-1/2	3	1/2
CL5-2N***	CSL5-2N	#4	1/2	5/16, 8, TP, 29	1	—	4-1/2	3	1
CL7-2N-1/4		#2	1/4	3/8, 10, TL-TN, 33	1-1/4	—	4-9/16	3	3/4
CL7-2N-5/16		#2	5/16	3/8, 10, TL-TN, 33	1-1/4	—	4-9/16	3	3/4
CL7-2N	CSL7-2N	#2	1/2	3/8, 10, TL-TN, 33	1-1/4	—	4-9/16	3	3/4
CL8-2N-1/4		#1	1/4	3/8, 11, TB, 37	1-3/8	—	3-3/8	3	21/32
CL8-2N-5/16		#1	5/16	3/8, 11, TB, 37	1-1/2	—	3-3/8	3	21/32
CL9-2N-5/16		1/0	5/16	1/2, 12, TQ, 42	1-1/4	—	4-9/16	3	3/4
CL9-2N-3/8		1/0	3/8	1/2, 12, TQ, 42	1-1/4	—	4-9/16	3	3/4
CL9-2N	CSL9-2N	1/0	1/2	1/2, 12, TQ, 42	1-1/4	—	4-9/16	3	3/4
CL10-2N-3/8		2/0	3/8	9/16, 13, TS, 45	1-1/2	—	5-1/32	3	27/32
CL10-2N	CSL10-2N	2/0	1/2	9/16, 13, TS, 45	1-1/2	1-1/2	5-1/32	3	27/32
CL11-2N-3/8		3/0	3/8	5/8, 14, TU, 50	1-1/2	—	5-1/8	3	29/32
CL11-2N	CSL11-2N	3/0	1/2	5/8, 14, TU, 50	1-1/2	1-5/8	5-1/8	3	29/32
CL12-2N-3/8		4/0	3/8	5/8-1, 15, TW-TY, 54	1-5/8	—	5-3/16	3	1
CL12-2N	CSL12-2N	4/0	1/2	5/8-1, 15, TW-TY, 54	1-5/8	1-11/16	5-3/16	3	1
CL13-2N-3/8		250	3/8	11/16, 16, TR, 60	1-3/4	—	5-1/4	3	1-1/8
CL13-2N	CSL13-2N	250	1/2	11/16, 16, TR, 60	1-3/4	1-3/4	5-1/4	3	1-7/32

COPPER LUGS


(continued)

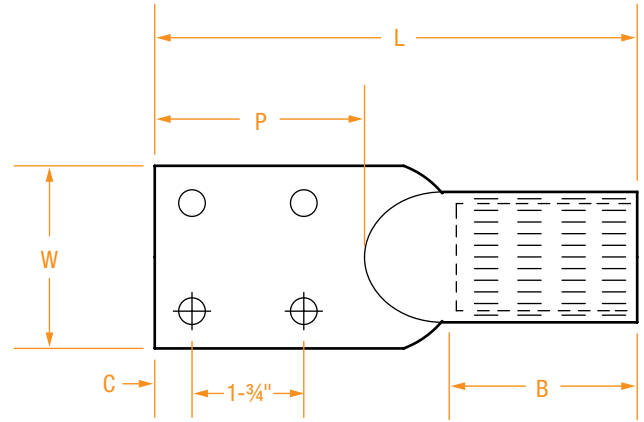
STRAIGHT PART NUMBER	STACKING PART NUMBER	WIRE SIZE	BOLT SIZE	INSTALLING DIES	DIMENSIONS IN INCHES				
					B	H*	L	P	W
CL14-2N-3/8		300	3/8	781, 17, TV, 66	2	—	5-3/4	3	1-7/32
CL14-2N	CSL14-2N	300	1/2	781, 17, TV, 66	2	1-13/16	5-3/4	3	1-7/32
CL15-2N-3/8		350	3/8	840, 18, TX, 71	2	—	5-3/4	3	1-5/16
CL15-2N	CSL15-2N	350	1/2	840, 18, TX, 71	2	1-7/8	5-3/4	3	1-5/16
CL16-2N-3/8		400	3/8	15/16, 19, TX, 76	2-1/8	—	6	3-1/16	1-13/32
CL16-2N	CSL16-2N	400	1/2	15/16, 19, TX, 76	2-1/8	1-15/16	6	3-3/32	1-13/32
CL18-2N	CSL18-2N	500	1/2	1, 20, TH, 87	2-1/4	2-1/16	6-1/16	3-1/8	1-9/16
CL20-2N	CSL20-2N	600	1/2	1-1/8, 22, 96	2-5/8	2-3/16	6-23/32	3-1/8	1-11/16
CL23-2N	CSL23-2N	750	1/2	1-5/16, 24, 106	2-7/8	2-5/16	6-3/4	3-1/8	1-3/4
CL28-2N	CSL28-2N	1000	1/2	1-1/2, 27, 125	2-15/16	2-5/8	7-1/4	3-1/4	2-5/32
CL28-2N-1-3/4	CSL28-2N-1-3/4	1000	1/2	1-1/2, 27, 125	2-15/16	2-5/8	7-1/4	3-1/4	1-3/4**
CL29-2N	CSL29-2N	1250	1/2	1-5/8, 29	2-1/2	—	7-1/4	3-1/16	1-11/16
CL30-2N	CSL30-2N	1500	1/2	1-3/4, 31, 150	3-3/16	—	7-1/2	3	2-11/16
CL32-2N	CSL32-2N	2000	1/2	2.00, 34, 175	3-3/16	—	8-1/16	3-3/16	3-1/16

* Only for stacking lugs.

** Trimmed to 1-3/4" max. to fit side by side on NEMA spades.


*** Brazed pad.

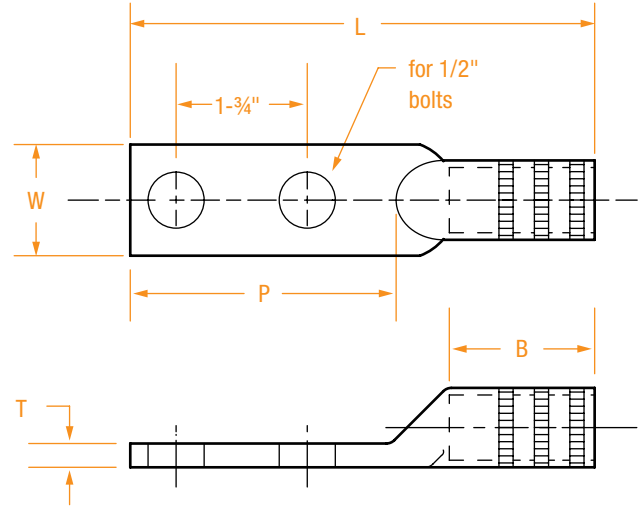
- Made of seamless copper tubing
- Tin-plated to resist corrosion
- Marked with conductor sizes and die information
- Meets all NEMA standards
-  UL listed



PART NUMBER	WIRE SIZE	BOLT SIZE	INSTALLING DIES	DIMENSIONS IN INCHES				
				B	C	L	P	W
CL18-4N	500	1/2	20, 1, 87	2-1/4	5/8	6-1/4	3-1/8	3
CL23-4N	750	1/2	24, 1-5/16, 106	2-7/8	5/8	7	3-1/8	3
CL28-4N	1000	1/2	1-1/2, 27, 125	3	5/8	7-1/4	3-1/4	3
CL29-4N	1250	1/2	1-5/8, 29	3-1/4	5/8	7-3/4	3	3
CL30-4N	1500	1/2	1-3/4, 31, 150	3-3/16	5/8	7-1/2	3	2-11/16
CL32-4N	2000	1/2	2.00, 34, 175	3-7/16	5/8	8-1/16	3-3/16	3-1/16
CL33-4N	2500	1/2	486, L486RT	3-5/8	5/8	8-3/4	3-1/8	3-3/4
CL371885	2750	1/2	729	3-3/4	5/8	9	3-1/8	3

FOR OTHER SIZES, CONTACT YOUR SALES REPRESENTATIVE OR THE FACTORY.

- Designed for heavy-duty applications
- Features include heavy wall barrel and thicker contact pad
- Made of seamless copper tubing
- Tin-plated to resist corrosion
- Marked with conductor sizes and die information
-  UL listed




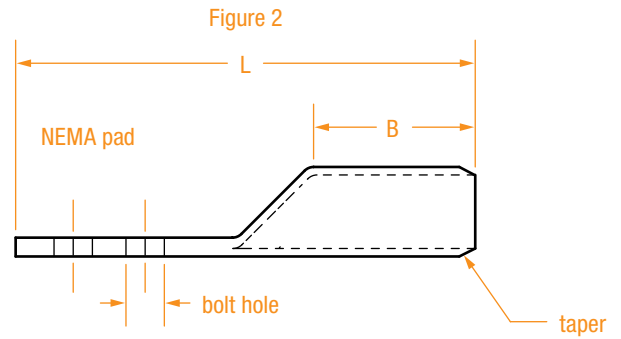
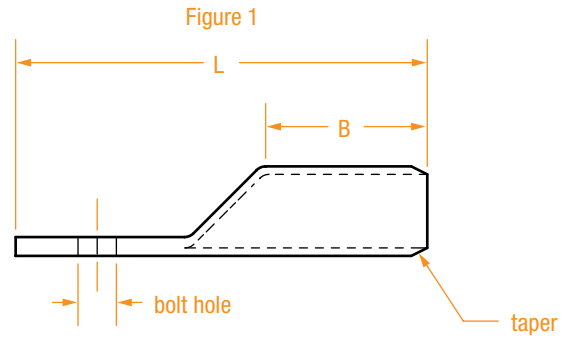
COPPER LUGS

PART NUMBER*	WIRE SIZE	INSTALLING DIES	DIMENSIONS IN INCHES				
			B	T	L	P	W
HDCL7-2N	#2	TQ, 42, 164, 9/16	1-1/2	0.17	5	3	15/16
HDCL8-2N	#1	TS, 45, 165, 5/8	1-1/2	0.18	5-1/4	3	15/16
HDCL9-2N	1/0	TU, 50, 165, 5/8	1-1/2	0.19	5-1/4	3	15/16
HDCL10-2N	2/0	TZ, 166, 5/8	1-1/2	0.26	5-1/2	3	15/16
HDCL11-2N	3/0	62, 167, 7/8	1-1/2	0.29	5-1/2	3	1
HDCL12-2N	4/0	71, 168, 8/8	1-5/8	0.30	5-1/2	3	1-1/4
HDCL13-2N	250	80, 169	1-5/8	0.34	5-5/8	3	1-1/4
HDCL14-2N	300	87, 170, 1	2-1/4	0.39	6-9/16	3-1/4	1-1/2
HDCL15-2N	350	94, 299, 1-1/8	2-1/4	0.43	6-9/16	3-1/4	1-7/16
HDCL16-2N	400	209, 1-1/4	3	0.44	6-3/4	3-1/4	1-3/4
HDCL18-2N	500	112, 210, 1-5/16	3	0.48	7-5/16	3-1/4	1-3/4
HDCL20-2N	600	125, 608, 1-1/2	3	0.51	7-1/2	3-5/8	1-15/16
HDCL23-2N	750	138, 627, 1-5/8	3-3/8	0.64	8-1/4	3-5/8	2-3/16
HDCL28-2N	1000	160, 345, 2	4-5/8	0.62	9-5/8	3-5/8	2-5/8

FOR OTHER SIZES, CONTACT YOUR SALES REPRESENTATIVE OR THE FACTORY.

* For heavy-duty one-hole lug, delete the "-2N" from the part number. For use with a different bolt size, add the bolt size to the part number (example: HDCL9-2N-3/8 will have two 7/16" holes for 3/8" bolts). For four-hole lugs, change "-2N" to "-4N".

- Made of seamless pure copper tubing
- Tin-plated to resist corrosion
- Tapered for high-voltage connections
- One-hole and two-hole NEMA standard
-  UL listed



PART NUMBER*	FIGURE	WIRE SIZE	INSTALLING DIES	DIMENSIONS IN INCHES				
				L	B	PAD WIDTH	PAD THICKNESS	BOLT HOLE
TCL5	1	#4	5/16, 8, TP, 29	2-3/16	1-1/4	5/8	3/32	7/16
TCL7	1	#2	3/8, 10, TL-TN, 33	2-5/16	1-3/8	5/8	7/64	7/16
TCL8	1	#1	3/8, 11, TB, 37	2-1/2	1-3/8	11/16	7/64	7/16
TCL9	1	1/0	1/2, 12, TQ, 42	2-5/8	1-3/8	13/16	1/8	7/16
TCL9-2N	2	1/0	1/2, 12, TQ, 42	4-7/8	1-3/8	13/16	1/8	9/16
TCL10	1	2/0	9/16, 13, TS, 45	3	1-1/2	7/8	1/8	9/16
TCL10-2N	2	2/0	9/16, 13, TS, 45	5	1-1/2	7/8	1/8	9/16
TCL11	1	3/0	5/8, 14, TU, 50	3-1/8	1-1/2	15/16	1/8	9/16
TCL11-2N	2	3/0	5/8, 14, TU, 50	5-1/8	1-1/2	15/16	1/8	9/16
TCL12	1	4/0	5/8-1, 15, TW-TY	3-5/16	1-5/8	1	9/64	9/16
TCL12-2N	2	4/0	5/8-1, 15, TW-TY	5-1/4	1-5/8	1	9/64	9/16
TCL13	1	250	11/16, 16, TR, 60	3-3/8	1-5/8	1-1/8	5/32	9/16
TCL13-2N	2	250	11/16, 16, TR, 60	5-5/16	1-5/8	1-1/8	5/32	9/16
TCL14	1	300	781, 17, TV, 66	3-3/4	2	1-3/16	5/32	9/16
TCL14-2N	2	300	781, 17, TV, 66	5-3/4	2	1-3/16	5/32	9/16
TCL15	1	350	840, 18, TX, 71	3-13/16	2	1-5/16	15/16	9/16


(continued)

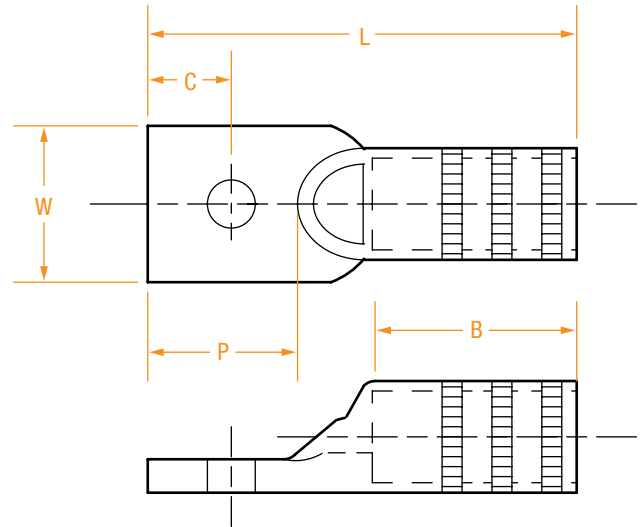
PART NUMBER*	FIGURE	WIRE SIZE	INSTALLING DIES	DIMENSIONS IN INCHES				
				L	B	PAD WIDTH	PAD THICKNESS	BOLT HOLE
TCL15-2N	2	350	840, 18, TX, 71	5-13/16	2	1-5/16	15/16	9/16
TCL16-2N	2	400	15/16, 19, 76	6	2-1/8	1-7/16	3/16	9/16
TCL18-2N	2	500	1, 20, 87	6-3/16	2-1/4	1-9/16	15/64	9/16
TCL20-2N	2	600	1-1/8, 22, 94H	6-11/16	2-11/16	1-11/16	17/64	9/16
TCL23-2N	2	750	1-5/16, 24, 106	7	2-7/8	1-15/16	19/64	9/16
TCL24-2N	2	800	1-5/16, 25, 106	7-1/8	2-15/16	2	19/64	9/16
TCL28-2N	2	1000	1-1/2, 27, 125	7-1/4	3	2-3/16	21/64	9/16

FOR OTHER SIZES, CONTACT YOUR SALES REPRESENTATIVE OR THE FACTORY.

COPPER LUGS

* "-2N" indicates a two-hole NEMA pad.

- Opening allows inspection to ensure complete cable insertion
- Made of seamless copper tubing
- Tin-plated to resist corrosion
- Marked with conductor sizes and die information
-  UL listed



PART NUMBER	WIRE SIZE	BOLT SIZE	INSTALLING DIES	DIMENSIONS IN INCHES				
				B	C	L	P	W
CL2-1/4-P	#8	1/4	1/4, 6, TC, 21	1/2	5/16	1-7/32	19/32	13/32
CL3-1/4-P	#6	1/4	J, 7, TE, 24	13/16	3/8	1-3/4	3/4	1/2
CL3-5/16-P	#6	5/16	J, 7, TE, 24	13/16	3/8	1-3/4	3/4	1/2
CL3-3/8-P	#6	3/8	J, 7, TE, 24	13/16	3/8	1-3/4	3/4	9/16
CL5-1/4-P	#4	1/4	5/16, 8, TP, 29	29/32	3/8	1-63/64	57/64	19/32
CL5-5/16-P	#4	5/16	5/16, 8, TP, 29	29/32	3/8	1-63/64	57/64	19/32
CL5-3/8-P	#4	3/8	5/16, 8, TP, 29	29/32	3/8	1-63/64	57/64	19/32
CL7-1/4-P	#2	1/4	3/8, 10, TL-TN, 33	7/8	3/8	2	57/64	5/8
CL7-5/16-P	#2	5/16	3/8, 10, TL-TN, 33	7/8	3/8	2	57/64	5/8
CL7-3/8-P	#2	3/8	3/8, 10, TL-TN, 33	7/8	3/8	2	57/64	5/8
CL7-1/2-P	#2	1/2	3/8, 10, TL-TN, 33	7/8	17/32	2-5/32	1-7/64	3/4
CL8-1/4-P	#1	1/4	3/8, 11, TB, 37	7/8	3/8	2-9/64	57/64	11/16
CL8-5/16-P	#1	5/16	3/8, 11, TB, 37	7/8	3/8	2-9/64	57/64	11/16
CL8-3/8-P	#1	3/8	3/8, 11, TB, 37	7/8	3/8	2-9/64	57/64	11/16
CL8-1/2-P	#1	1/2	3/8, 11, TB, 37	7/8	17/32	2-15/64	1-7/64	3/4
CL9-5/16-P	1/0	5/16	1/2, 12, TQ, 42	7/8	3/8	2-9/64	57/64	3/4
CL9-3/8-P	1/0	3/8	1/2, 12, TQ, 42	7/8	3/8	2-9/64	57/64	3/4
CL9-P	1/0	1/2	1/2, 12, TQ, 42	7/8	17/32	2-15/64	1-7/64	3/4
CL10-5/16-P	2/0	5/16	9/16, 13, TS, 45	15/16	3/8	2-5/64	57/64	13/16
CL10-3/8-P	2/0	3/8	9/16, 13, TS, 45	15/16	3/8	2-5/64	57/64	13/16
CL10-P	2/0	1/2	9/16, 13, TS, 45	15/16	17/32	2-9/32	1-7/64	13/16
CL11-5/16-P	3/0	5/16	5/8, 14, TU, 50	1-1/8	3/8	2-17/64	57/64	29/32


COPPER LUGS

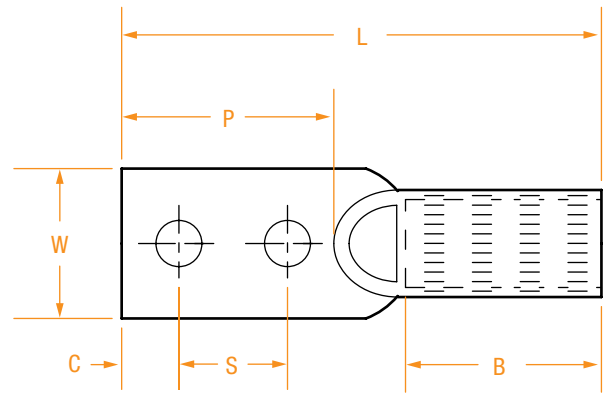
(continued)

PART NUMBER	WIRE SIZE	BOLT SIZE	INSTALLING DIES	DIMENSIONS IN INCHES				
				B	C	L	P	W
CL11-3/8-P	3/0	3/8	5/8, 14, TU, 50	1-1/8	17/32	2-1/2	1-7/64	29/32
CL11-P	3/0	1/2	5/8, 14, TU, 50	1-1/8	17/32	2-1/2	1-7/64	29/32
CL12-5/16-P	4/0	5/16	5/8-1, 15 TW-TY, 54	1-3/16	3/8	2-7/16	57/64	1
CL12-3/8-P	4/0	3/8	5/8-1, 15 TW-TY, 54	1-3/16	17/32	2-9/16	1-7/64	1
CL12-1/2-P	4/0	1/2	5/8-1, 15 TW-TY, 54	1-3/16	17/32	2-9/16	1-7/64	1
CL13-3/8-P	250	3/8	11/16, 16, TR, 60	1-1/4	17/32	2-13/16	1-7/64	1-1/8
CL13-P	250	1/2	11/16, 16, TR, 60	1-1/4	17/32	2-13/16	1-7/64	1-1/8
CL14-P	300	1/2	781, 17, TV, 66	1-1/4	17/32	2-13/16	1-7/64	1-7/32
CL14-5/8-P	300	5/8	781, 17, TV, 66	1-1/4	21/32	3-1/32	1-11/32	1-7/32
CL15-P	350	1/2	840, 18, TX, 71	1-1/4	17/32	2-15/16	1-7/64	1-9/32
CL15-5/8-P	350	5/8	840, 18, TX, 71	1-1/4	21/32	3-3/32	1-11/32	1-9/32
CL16-P	400	1/2	15/16, 19, TX 76	1-1/2	21/32	3-9/32	1-11/32	1-13/32
CL16-5/8-P	400	5/8	15/16, 19, TX 76	1-1/2	21/32	3-9/32	1-11/32	1-13/32
CL18-P	500	1/2	1, 20, TH, 87	1-3/4	21/32	3-17/32	1-11/32	1-17/32
CL18-5/8-P	500	5/8	1, 20, TH, 87	1-3/4	21/32	3-17/32	1-11/32	1-17/32
CL20-P	600	1/2	1-1/8, 22, 96	1-7/16	7/8	3-7/8	1-3/4	1-11/16
CL20-5/8-P	600	5/8	1-1/8, 22, 96	1-7/16	7/8	3-7/8	1-3/4	1-11/16
CL23-P	750	1/2	1-5/16, 24, 106	1-5/8	7/8	4-3/8	1-15/16	1-7/8
CL23-5/8-P	750	5/8	1-5/16, 24, 106	1-5/8	7/8	4-3/8	1-15/16	1-7/8
CL23-3/4-P	750	3/4	1-5/16, 24, 106	1-5/8	31/32	4-3/8	1-15/16	1-7/8
CL28-P	1000	1/2	1-1/2, 27, 125	1-15/16	15/16	4-15/16	2-1/8	2-5/32
CL28-5/8-P	1000	5/8	1-1/2, 27, 125	1-15/16	15/16	4-15/16	2-1/8	2-5/32
CL28-3/4-P	1000	3/4	1-1/2, 27, 125	1-15/16	1-1/16	4-15/16	2-1/8	2-5/32
CL30-3/4-P	1500	3/4	1-3/4, 31, 150	2	1-1/8	5-15/32	2-1/4	2-43/64
CL32-3/4-P	2000	3/4	2.00, 34, 150	2-1/4	1-3/16	5-15/16	2-3/8	3-1/16

FOR OTHER SIZES, CONTACT YOUR SALES REPRESENTATIVE OR THE FACTORY.

COPPER LUGS

- Made of seamless copper tubing
- Tin-plated to resist corrosion
- Marked with conductor sizes and die information
-  UL listed



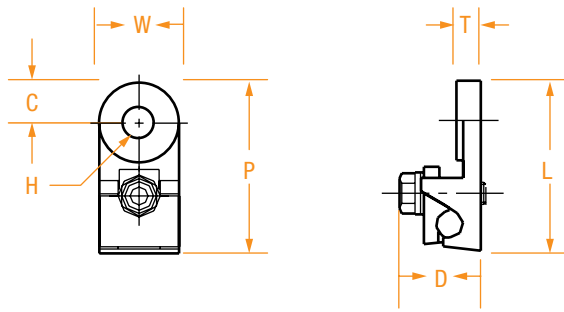
PART NUMBER*	WIRE SIZE	BOLT SIZE	INSTALLING DIES	DIMENSIONS IN INCHES					
				B	C	L	P	S	W
CL10-2N-P	2/0	1/2	9/16, 13, TS, 45	15/16	5/8	4-15/32	3	1-3/4	13/16
CL11-2N-P	3/0	1/2	5/8, 14, TU, 50	1	5/8	4-5/8	3	1-3/4	29/32
CL12-2N-P	4/0	1/2	5/8-1, 15, TW-TY, 54	1	5/8	4-11/16	3	1-3/4	1
CL13-2N-P	250	1/2	11/16, 16, TR, 60	1-1/16	5/8	4-3/4	3	1-3/4	1-3/32
CL14-2N-P	300	1/2	781, 17, TV, 66	1-1/16	5/8	4-13/16	3	1-3/4	1-3/16
CL15-2N-P	350	1/2	840, 18, TX, 71	1-1/8	5/8	4-15/16	3	1-3/4	1-9/32
CL16-2N-P	400	1/2	15/16, 19, TX, 76	1-3/16	5/8	5-1/8	3	1-3/4	1-3/8
CL18-2N-P	500	1/2	1, 20, TH, 87	1-3/8	5/8	5-5/16	3	1-3/4	1-17/32
CL20-2N-P	600	1/2	1-1/8, 22, 96	1-3/8	5/8	5-1/2	3	1-3/4	1-11/16
CL23-2N-P	750	1/2	1-5/16, 24, 106	1-5/8	5/8	5-3/4	3	1-3/4	1-29/32
CL28-2N-P	1000	1/2	1-1/2, 27, 125	1-7/8	5/8	6-5/32	3	1-3/4	2-11/64
CL30-2N-P	1500	1/2	1-3/4, 31, 150	2	5/8	6-17/32	3	1-3/4	2-43/64
CL32-2N-P	2000	1/2	2.00, 34, 150	2-1/4	5/8	7	3	1-3/4	3-1/16
CL30-4N-P	1500	1/2	1-3/4, 31, 150	2	5/8	6-17/32	3	1-3/4	3-1/16
CL32-4N-P	2000	1/2	2.00, 34, 150	2-1/4	5/8	7	3	1-3/4	3-1/16

COPPER LUGS

FOR OTHER SIZES, CONTACT YOUR SALES REPRESENTATIVE OR THE FACTORY.

* "-2N" indicates a two-hole NEMA pad. - "4N" indicates a four-hole NEMA pad.

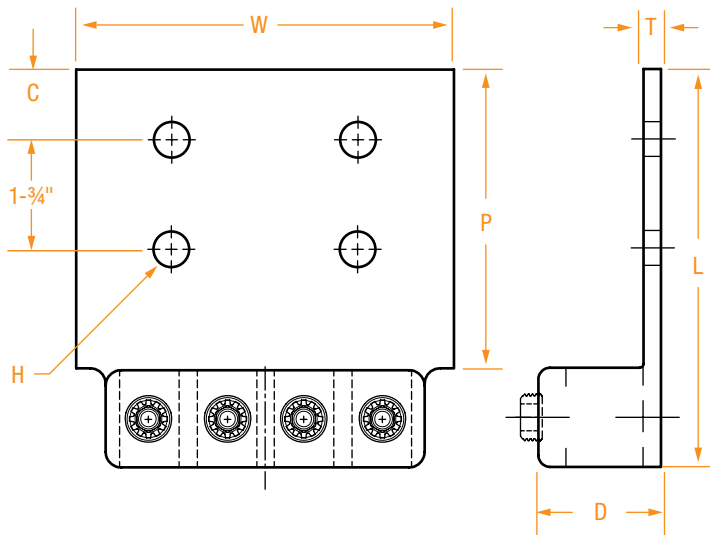
- Made from high-conductivity copper alloy
- Designed to accept a range of conductor sizes



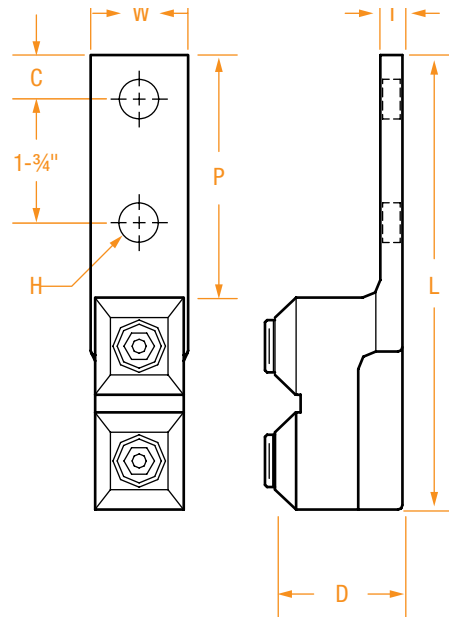
ML8-10



B4CC-4N



B4CC-4N



ML13-18

COPPER LUGS

PART NUMBER	CABLE SIZE	CABLE PORTS	HOLES IN PAD	DIMENSIONS IN INCHES						
				L	W	C	H	D	T	P
ML13-18	250-500	1	2	5	1-1/2	5/8	9/16	1-3/4	3/8	3-1/4
ML8-10	#1-2/0	1	1	2-3/8	1-13/32	9/16	9/16	1-3/32	11/32	1-3/8
B3CC-4N*	250-500	3	4	6	4	7/8	9/16	2 to 2-1/4	1/4	4-3/8
B4CC-4N**	250-500	4	4*	6-3/8	6	1-1/8	9/16	2 to 2-1/4	5/16	4-3/4

* B3CC-4N (not shown in the above photo) has 1-3/4" hole spacing front to back and side to side.
 ** B4CC-4N has 3" side-to-side hole spacing and 1-3/4" hole spacing front to back as shown in the drawing.

- Made of seamless copper tubing
- Lugs available with a “BEND” or a “TWIST”
- Specify the angle in the part number
- Tin-plated to resist corrosion
- Marked with conductor sizes and die information
- Meets all NEMA standards

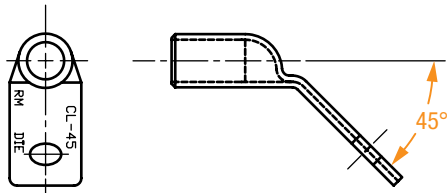


Figure 1
45° Bend
Add “-45” to part #

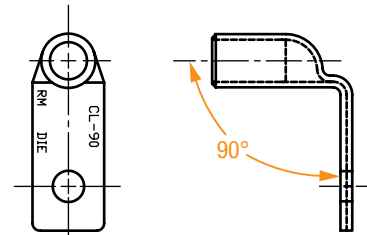


Figure 2
90° Bend
Add “-90” to part #

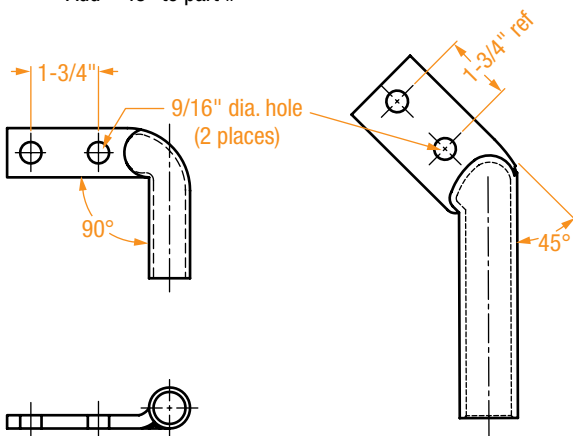


Figure 3
90° Left Twist
Add “-90L” to part #

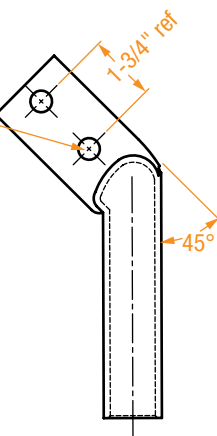


Figure 4
45° Left Twist
Add “-45L” to part #

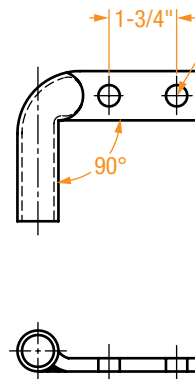


Figure 5
90° Right Twist
Add “-90R” to part #

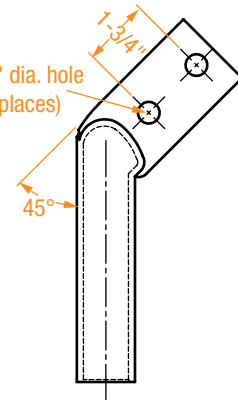


Figure 6
45° Right Twist
Add “-45R” to part #

To determine the correct part number, use the part numbers of the basic copper lug and add the following suffixes.

- “-45” = 45° bend straight up – Figure 1.
- “-90” = 90° bend straight up – Figure 2
- “-90L” = 90° twist to the LEFT – Figure 3
- “-45L” = 45° twist to the LEFT – Figure 4.
- “-90R” = 90° twist to the RIGHT – Figure 5
- “-45R” = 45° twist to the RIGHT – Figure 6.

FOR OTHER ANGLES AND CONFIGURATIONS, PLEASE CONTACT THE FACTORY.

- Made of seamless copper tubing
- Hot tin dipped
- The shroud prevents water from seeping into the copper conductor strands and minimizes taping
- Contact the factory for other sizes

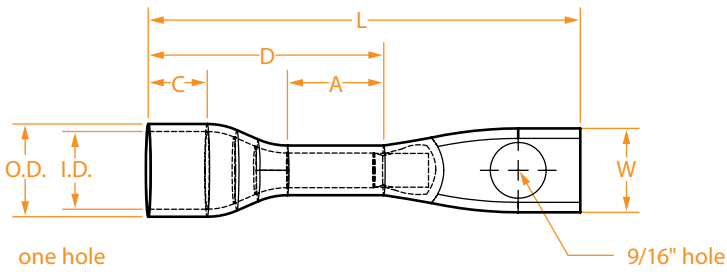


Figure 1

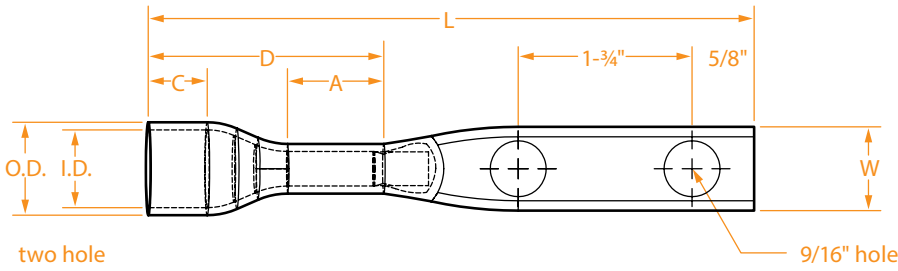


Figure 2

COPPER LUGS

PART NUMBER	FIG	CONDUCTOR	APPROXIMATE DIMENSIONS IN INCHES							DIE INDEX
			O.D.	I.D.	A	C	D	L	w	
CL5-1-66PS	1	#4 STR	0.72	.625	1.25	.625	2.125	3.5	.875	½, 12
CL5-2N-066	2	#4 STR	.72	.55	1.625	.625	2.50	6	.875	½, 12
CL7-2N-066	2	#2 STR	.95	.80	1.25	.80	2.50	6-1/8	.875	163

- The barrel is made of seamless copper tubing
- The pin is made of solid copper rod
- Connection brazed watertight
- Crimp with standard dies
- Hot tin dipped
- Contact the factory for other sizes

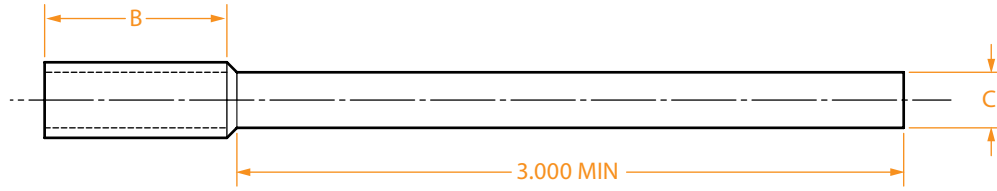


Figure 1

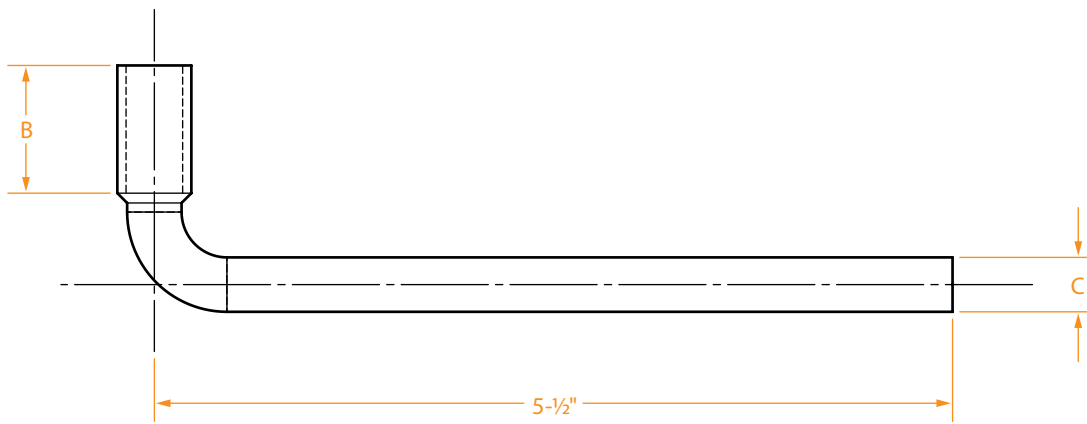
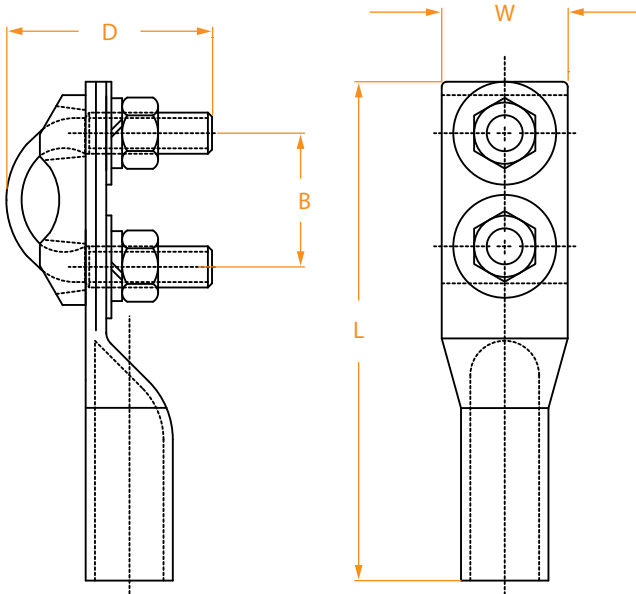


Figure 2

PART NUMBER	FIG	CONDUCTOR			DIE INDEX
			B (min)	C (Pin O.D.)	
CPT5	1	#4 Cu str	.82	0.250	5/16, 8
CPT9	1	1/0 Cu str	.88	0.375	1/2, 12
CPT10	1	2/0 Cu str	.94	0.375	9/16, 13
CPT12	1	4/0 Cu str	1.00	0.460	5/8-1, 15
CPT15	1	350 Cu str	1.12	0.562	840, 18
CPT18	1	500 Cu str	1.38	0.562	1, 20
CPT5-90	2	#4 Cu str	.81	0.375	5/16, 8
CPT9-90	2	1/0 Cu str	.88	0.375	1/2, 12
CPT12-90	2	4/0 Cu str	1.00	0.460	5/8-1, 15
CPT15-90	2	350 Cu str	1.12	0.562	840, 18
CPT18-90	2	500 Cu str	1.38	0.562	1, 20

- Designed to connect secondary cable to the "ring bus" of a network system
- Commonly used for:
 - Network system "ring bus" tap connections
 - Manhole/vault neutral tap connections
- Lug, U-Bolt and Bronze Saddle are tin-plated
- Hardware includes star and flat washers and nuts to tighten down U-Bolt



COPPER LUGS

PART NUMBER	U BOLT WIRE SIZE (RUN)	LUG SIZE (TAP)	APPROXIMATE DIMENSIONS IN INCHES			
			D	B	L	w
MT18-12	350-800 MCM	4/0 AWG	2 3/8	1-3/8	5-1/8	1 17/32
MT18	350-800 MCM	500 MCM	2-3/8	1-3/8	6-1/16	1 17/32
MT23-18	500-800 MCM	500 MCM	2-1/2	1-5/8	6-1/16	1 17/32
MT23	500-800 MCM	750 MCM	2-1/2	1-5/8	7	1-29/32
MT18-12-N	500-800 MCM	4/0 AWG	2-1/2	1-3/4	5-3/16	1
MT18-N	500-800 MCM	500 MCM	2-1/2	1-3/4	6-1/16	1-9/16
MT23-18-N	500-800 MCM	500 MCM	2-1/2	1-3/4	6-1/16	1-9/16
MT23-N	500-800 MCM	750 MCM	2-1/2	1-3/4	6-3/4	1-3/4

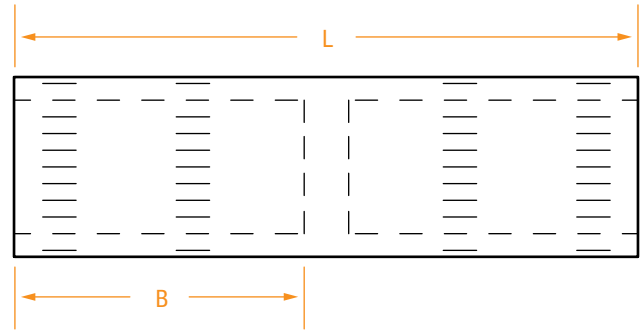
Aluminum Compression Connectors



Aluminum Compression Connectors

	Series	Page
Short Aluminum Splices.....	SALC Series	37
Aluminum Splices.....	ALC Series.....	38
Aluminum Splices – Common Die.....	ALCCD Series.....	39
Tapered Aluminum Splices.....	OATC Series	40
Tapered Aluminum Splices – Common Die	OATCCD Series.....	41
Aluminum Tees	ALT Series	42
Aluminum Tapered Tees.....	ALTT Series.....	43
Aluminum Tapered Tees.....	ALTT Series (continued).....	44
Aluminum Reducers	ALCR Series	45
Tapered Aluminum Reducers	OATCR Series	46
Aluminum Reducers – Common Die	ALCRCD Series.....	47

- Made of high-conductivity aluminum
- Accepts both aluminum and copper conductors
- Filled with an oxide-inhibiting compound
- Marked with conductor size and die information

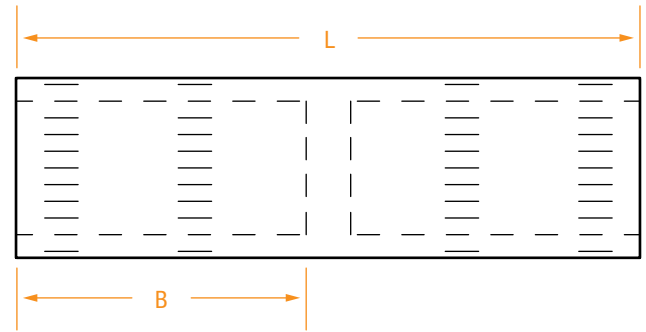


PART NUMBER*	WIRE SIZE	INSTALLING DIES	DIMENSIONS IN INCHES	
			B	L
SALC3	#6	TP, 29, 346, 161, 5/16	3/4	1-5/8
SALC5	#4	TB, 37, 375, 162	7/8	1-7/8
SALC7	#2	TQ, 45, 348, 6A, 1/2, 163	15/16	2
SALC8	#1	TQ, 45, 348, 6A, 1/2, 163	15/16	2
SALC9	1/0	TU, BG, 8A, 5/8, 52, 243	1	2-1/8
SALC10	2/0	TWTY, 297, 9A, 5/8-1, 58	1-3/32	2-5/16
SALC11	3/0	TV, 10A, 781, 66, 247	1-1/4	2-5/8
SALC12	4/0	TX, 298, 11A, 840, 71H	1-5/16	2-3/4
SALC13	250	TX, 11A, 840, 76, 249	1-3/8	2-15/16
SALC14	300	TX, 12A, 87H, 251	1-15/32	3-1/8
SALC15	350	96, 299, 13A, 94A	1-19/32	3-3/8
SALC16	400	96, 13A, 655, 99H	1-25/32	3-3/4
SALC18	500	106A, 14A, 300, 317	1-27/32	3-7/8
SALC20	600	115H, 473, 786, 936, 112H	1-15/16	4-1/8
SALC23	750	140H, 301	2-3/16	4-5/8
SALC24	800	140H, 474	2-1/4	4-3/4
SALC28	1000	302, 161	2-1/2	5-1/4
SALC29	1250	161, 352, 579	3-1/16	6-1/2
SALC30	1500	478, 189	3-1/16	6-1/2
SALC31	1750	204, 729, 40AH	3-1/16	6-1/2
SALC32	2000	479, 735, 214	3-9/16	7-1/2

FOR OTHER SIZES, CONTACT YOUR SALES REPRESENTATIVE OR THE FACTORY.

* For tinned splices, add "-TN" to the part number (example: SALC3-TN for #6 tinned splice).

- Made of high-conductivity aluminum
- Accepts both aluminum and copper conductors
- Filled with an oxide-inhibiting compound
- Marked with conductor size and die information

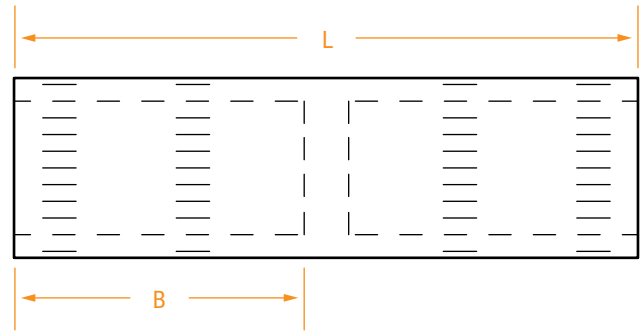


PART NUMBER*	WIRE SIZE	INSTALLING DIES	DIMENSIONS IN INCHES	
			B	L
ALC5	#4	TB, 37, 375, 162	1-7/16	3-1/8
ALC7	#2	TQ, 45, 348, 6A, 1/2	1-5/8	3-13/32
ALC8	#1	TQ, 45, 348, 6A, 1/2	1-5/8	3-13/32
ALC9	1/0	TU, BG, 8A, 5/8, 52, 243	1-7/16	3-11/16
ALC10	2/0	TWTY, 297, 9A, 5/8-1, 58	1-3/4	3-11/16
ALC11	3/0	TV, 10A, 781, 66, 247	1-13/16	3-15/16
ALC12	4/0	TX, 298, 11A, 840, 71H	1-7/8	4-3/16
ALC13	250	TX, 11A, 840, 76, 249	2-7/16	5-3/16
ALC14	300	TX, 12A, 87H, 251	2-11/16	5-11/16
ALC15	350	96, 299, 13A, 94A	3-1/4	6-5/8
ALC16	400	96, 13A, 655, 99H	3-7/16	7-7/32
ALC18	500	106, 106A, 14A, 300, 317	3-5/8	7-17/32
ALC20	600	115H, 473, 112H	3-3/4	7-25/32
ALC23	700-750	140H, 301	4	8-9/32
ALC24	800	140H, 474	4-1/16	8-7/16
ALC28	1000	302, 161	4-11/32	9-7/8
ALC29	1250	161, 352, 579	4-5/8	10
ALC30	1500	478, 189	6-11/32	13
ALC31	1750	204, 729, 40AH	6-5/16	13
ALC32	2000	735, 214	7-11/32	15

FOR OTHER SIZES, CONTACT YOUR SALES REPRESENTATIVE OR THE FACTORY.

* For tinned splices, add "-TN" to the part number (example: ALC5-TN for #4 tinned splice). For a different length connector, add the length in inches to the part number (example: ALC28-8in for an 8" connector).

- Made of high-conductivity aluminum
- Accepts both aluminum and copper conductors
- Filled with an oxide-inhibiting compound
- Marked with conductor size and die information
- Solid center stop to ensure proper cable insertion

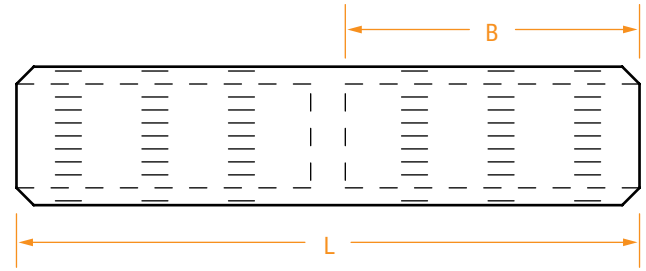


PART NUMBER*	WIRE SIZE	INSTALLING DIES	DIMENSIONS IN INCHES	
			B	L
ALCCD5	#4	8A, TU, 5/8, 243, BG, 52	1-7/16	3
ALCCD7	#2		1-7/16	3
ALCCD8	#1		1-7/16	3
ALCCD9	1/0		1-7/16	3
ALCCD10	2/0	249, 840, TX, 11A, 76	1-7/8	4
ALCCD11	3/0		1-7/8	4
ALCCD12	4/0		1-7/8	4
ALCCD13	250		1-7/8	4
ALCCD14	300	299, 1-1/8, 96, 13A	2-5/16	5
ALCCD15	350		2-5/16	5
ALCCD16	400	15A, 1-5/16, 115H, 300, 317	2-21/32	5-11/16
ALCCD18	500		2-21/32	5-11/16
ALCCD20	600	301, 1-1/2, 140	3-3/8	6-31/32
ALCCD23	700-750		3-3/8	6-31/32
ALCCD24	800		3-3/8	6-31/32
ALCCD28	1000	302, 1-3/4, 161	3-5/16	8

FOR OTHER SIZES, CONTACT YOUR SALES REPRESENTATIVE OR THE FACTORY.

* For tinned splices, add "-TN" to the part number (example: ALCCD5-TN for a #4 tinned splice).

- Made of high-conductivity aluminum
- Accepts both aluminum and copper conductors
- Tapered ends for easy taping
- Filled with an oxide-inhibiting compound
- Marked with conductor size and die information
- Solid center stop to ensure proper cable insertion
- Designed for 5kV and higher

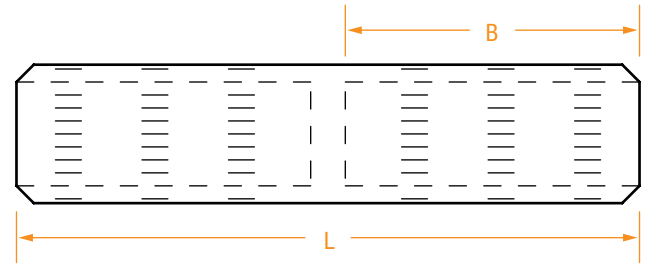


PART NUMBER*	WIRE SIZE	INSTALLING DIES	DIMENSIONS IN INCHES	
			B	L
OATC7	#2	TQ, 45, 348, 6A	1-9/32	2-11/16
OATC9	1/0	TU, 8A, 52, 243	1-7/16	3
OATC10	2/0	TWTY, 245, 9A, 58	1-7/16	3-1/16
OATC11	3/0	TV, 10A, 66, 247	1-7/16	3
OATC12	4/0	TX, 298, 11A, 71	1-3/4	3-21/32
OATC13	250	TX, 11A, 76, 249	1-3/4	3-21/32
OATC14	300	TH, 12A, 87, 251	2-3/32	4-5/16
OATC15	350	96, 299, 13A	2-9/32	4-5/16
OATC16	400	96, 13A, 472	2-9/16	5-7/32
OATC18	500	106, 14A, 300, 317	2-11/16	5-1/2
OATC20	600	115, 473	2-31/32	6-1/32
OATC23	700-750	140, 301	3-3/8	6-27/32
OATC24	800	140, 474	3-5/8	7-5/16
OATC28	1000	302, 161	4-11/32	8-27/32
OATC29	1250	161, 302	4-5/8	9-3/4
OATC30	1500	478, 189	4-5/8	9-3/4
OATC31	1750	204, 729, 40AH	5-1/2	11-1/2
OATC32	2000	479, 225	5-11/16	11-7/8

FOR OTHER SIZES, CONTACT YOUR SALES REPRESENTATIVE OR THE FACTORY.

* For tinned splices, add "-TN" to the part number (example: OATC7-TN for a #2 tinned splice). For a different length connector, add the length in inches to the part number (example: OATC28-8in for an 8" connector).

- Made of high-conductivity aluminum
- Accepts both aluminum and copper conductors
- Tapered ends for easy taping
- Filled with an oxide-inhibiting compound
- Marked with conductor size and die information
- Solid center stop to ensure proper cable insertion
- Designed for 5kV and higher

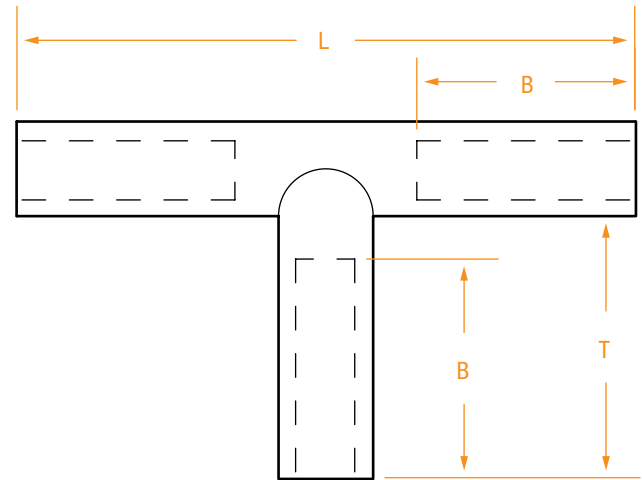


PART NUMBER*	WIRE SIZE	INSTALLING DIES	DIMENSIONS IN INCHES	
			B	L
OATCCD5	#4	TU, 8A, 52, 243, 296, 5/8	1-7/16	3
OATCCD7	#2		1-7/16	3
OATC9	1/0		1-7/16	3
OATCCD10	2/0	11A, 76, 249, 840, 298	1-7/8	4
OATCCD11	3/0		1-7/8	4
OATC12	4/0		1-7/8	4
OATC13	250		1-7/8	4
OATCCD14	300	96, 299, 13A, 1-1/8, 321, 705	2-5/16	5
OATC15	350		2-5/16	5
OATCCD16	400	115, 15A, 300, 1-5/16, 317	2-5/8	5-1/2
OATC18	500		3-5/16	7
OATC20	600		3-5/16	7
OATC23	700-750	1-1/2, 140, 301	3-3/8	6-27/32

FOR OTHER SIZES, CONTACT YOUR SALES REPRESENTATIVE OR THE FACTORY.

* For tinned splices, add "-TN" to the part number (example: OATCCD-5-TN for a #4 tinned splice).

- Made of high-conductivity aluminum
- Available in different run and tap sizes
- Accepts both aluminum and copper conductors
- Filled with an oxide-inhibiting compound
- Marked with conductor size and die information



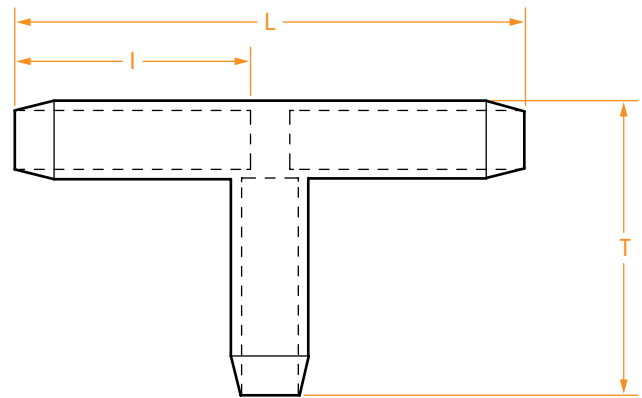
PART NUMBER*	WIRE SIZE		DIMENSIONS IN INCHES		
	RUN	TAP	L	B	T
ALT7	#2	#2	4-1/4	2	2-1/2
ALT9-7	1/0	2	5-1/2	2-1/4	2-1/2
ALT9	1/0	1/0	5-1/2	2-1/4	2-1/2
ALT10-9	2/0	1/0	6	2-1/4	2-1/2
ALT10	2/0	2/0	6	2-1/4	2-1/2
ALT11	3/0	3/0	6-5/8	2-5/8	3
ALT12-10	4/0	2/0	6-5/8	2-5/8	3
ALT12	4/0	4/0	6-5/8	2-5/8	3
ALT13	250	250	6-5/8	2-5/8	3
ALT14	300	300	6-5/8	2-5/8	3
ALT15-9	350	1/0	6-5/8	2-5/8	3
ALT15-12	350	4/0	6-5/8	2-5/8	3
ALT15	350	350	6-5/8	2-5/8	3

PART NUMBER*	WIRE SIZE		DIMENSIONS IN INCHES		
	RUN	TAP	L	B	T
ALT16	400	400	7-3/4	3-1/8	3-1/2
ALT18-12	500	4/0	8	3-1/8	3-1/2
ALT18-15	500	350	8	3-1/8	3-1/2
ALT18	500	500	8	3-1/8	3-1/2
ALT23-12	750	4/0	8	3-1/8	3-1/2
ALT23-15	750	350	8	3-1/8	3-1/2
ALT23-18	750	500	9	3-1/2	4
ALT23	750	750	9	3-1/2	4
ALT28-15	1000	350	9-7/8	4	4-1/2
ALT28-18	1000	500	9-7/8	4	4-1/2
ALT28-23	1000	750	9-7/8	4	4-1/2
ALT28	1000	1000	9-7/8	4	4-1/2

FOR OTHER SIZES, CONTACT YOUR SALES REPRESENTATIVE OR THE FACTORY.

* For tinned tees, add "-TN" to the part number (example: ALT7-TN for a #2 tinned Aluminum Tee).

- Made of high-conductivity aluminum
- Available in different run and tap sizes
- Designed for 5kV and higher
- Accepts both aluminum and copper conductors
- Filled with an oxide-inhibiting compound
- Marked with conductor size and die information



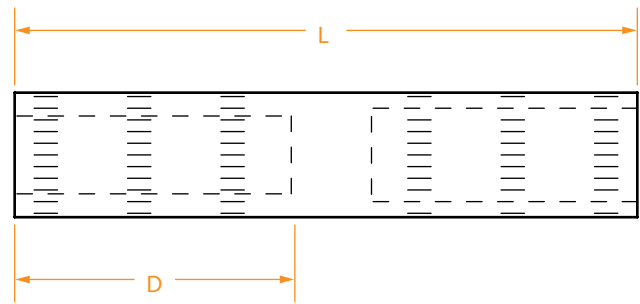
PART NUMBER	WIRE SIZE		DIMENSIONS IN INCHES			INSTALLING DIES
	RUN	TAP	L	I	T	
ALTT7-5	#2	#4	5-1/4	2-9/16	2-21/32	348, 6A, 45, TQ
ALTT7	#2	#2	5-1/4	2-9/16	2-23/32	348, 6A, 45, TQ
ALTT9-7	1/0	#2	5-1/8	2-1/2	2-25/32	243, 52, 8A, TU
ALTT9	1/0	1/0	5-1/8	2-1/2	2-25/32	243, 52, 8A, TU
ALTT10-7	2/0	2	5-3/8	2-5/8	2-7/8	297, 58, 9A, TWTY
ALTT10-8	2/0	1	5-3/8	2-5/8	2-3/4	297, 58, 9A, TWTY
ALTT10-9	2/0	1/0	5-1/2	2-11/16	2-7/8	297, 58, 9A, TWTY
ALTT10	2/0	2/0	5-1/2	2-11/16	3-1/16	297, 58, 9A, TWTY
ALTT12-9	4/0	1/0	5-7/8	2-7/8	3-1/32	298, 71, 11A, TX
ALTT12-10	4/0	2/0	6	2-15/16	3-7/32	298, 71, 11A, TX
ALTT12	4/0	4/0	6-1/8	3	3-15/32	298, 71, 11A, TX
ALTT14-9	300	1/0	6-5/8	3-1/4	3-3/16	251, 87, 12A
ALTT14-10	300	2/0	6-5/8	3-1/4	3-3/8	251, 87, 12A
ALTT15-9	350	1/0	7-5/8	3-3/4	3-5/16	96, 299, 1-1/8
ALTT15-10	350	2/0	7-5/8	3-3/4	3-1/2	96, 299, 1-1/8
ALTT15-12	350	4/0	7-7/8	3-7/8	3-3/4	96, 299, 1-1/8
ALTT15-14	350	300	8	3-15/16	4	96, 299, 1-1/8
ALTT15	350	350	8-1/8	4	4-9/16	96, 299, 1-1/8
ALTT18-9	500	1/0	9-1/8	4-1/2	3-1/2	106A, 300, 1-5/16
ALTT18-10	500	2/0	9-1/8	4-1/2	3-11/16	106A, 300, 1-5/16
ALTT18-12	500	4/0	9-1/4	4-9/16	3-15/16	106A, 300, 1-5/16
ALTT18-14	500	300	9-3/8	4-5/8	4-3/16	106A, 300, 1-5/16
ALTT18-15	500	350	9-1/2	4-11/16	4-3/4	106A, 300, 1-5/16
ALTT18	500	500	9-3/4	4-13/16	5-7/16	106A, 300, 1-5/16

(continued)

PART NUMBER	WIRE SIZE		DIMENSIONS IN INCHES			INSTALLING DIES
	RUN	TAP	L	I	T	
ALTT23-12	750	4/0	9-3/4	4-13/16	4-3/16	301, 140, 1-1/2, 527
ALTT23-14	750	300	9-7/8	4-7/8	4-7/16	301, 140, 1-1/2, 527
ALTT23-15	750	350	10	4-15/16	5	301, 140, 1-1/2, 527
ALTT23-18	750	500	10-1/8	5	5-5/8	301, 140, 1-1/2, 527
ALTT23	750	750	10-3/8	5-1/8	6	301, 140, 1-1/2, 527
ALTT28-12	1000	4/0	10-7/8	5-3/8	4-7/16	302, 161, 1-3/4, 150
ALTT28-14	1000	300	11	5-7/16	4-11/16	302, 161, 1-3/4, 150
ALTT28-15	1000	350	11-1/8	5-1/2	5-1/4	302, 161, 1-3/4, 150
ALTT28-18	1000	500	11-1/4	5-9/16	5-15/16	302, 161, 1-3/4, 150
ALTT28-23	1000	750	11-5/8	5-3/4	6-1/4	302, 161, 1-3/4, 150
ALTT28	1000	1000	10-7/8	5-7/8	6-13/16	302, 161, 1-3/4, 150

FOR OTHER SIZES, CONTACT YOUR SALES REPRESENTATIVE OR THE FACTORY.

- Made of high-conductivity aluminum
- Accepts both aluminum and copper conductors
- Filled with an oxide-inhibiting compound
- Marked with conductor size and die information
- Solid center stop to ensure proper cable insertion



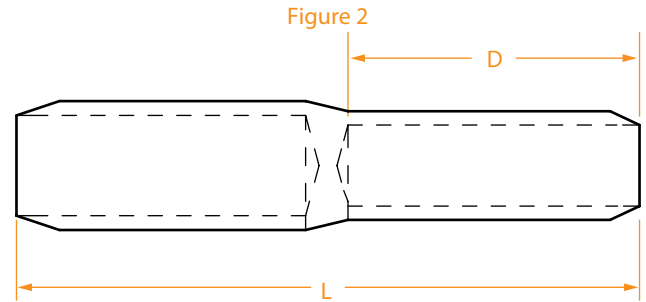
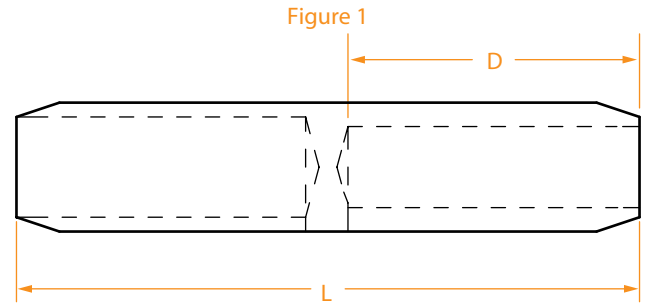
Part numbers should be formatted **ALCRA-B**, where **A** is the conductor code for side A (larger side) and **B** is the conductor code for side B (reduced side).

PART NUMBER*	WIRE SIZE		INSTALLING DIES	DIMENSIONS IN INCHES	
	A	B (select from range)		D	L
ALCR7-	#2	#3 - #8	TQ, 45, 348, 6A, 1/2	1-7/8	4-9/16
ALCR9-	1/0	#1 - #8	TU, BG, 8A, 5/8	1-7/8	4-9/16
ALCR10-	2/0	1/0 - #6	TWTY, 60, 245, 9A, 5/8-1	1-7/8	4-9/16
ALCR11-	3/0	2/0 - #6	TU, 781, 56	2	5
ALCR12-	4/0	3/0 - #4	TX, 298, 11A, 840, 71H	2-1/8	5-1/4
ALCR13-	250	4/0 - #4	TX, 11A, 840, 249	2-5/8	6-5/16
ALCR14-	300	250 - #4	96, 299, 1-1/8	3-17/32	8-3/16
ALCR15-	350	300 - #4	96, 299, 1-1/8	3-17/32	8-3/16
ALCR16-	400	350 - #2	96, 472, 1-1/8	3-11/16	8-19/32
ALCR18-	500	450 - #2	106, 300, 1-5/16	3-13/16	8-19/32
ALCR20-	600	550 #2	115H, 473, 1-5/16	3-15/16	8-7/8
ALCR23-	750	700 - 1/0	140, 301, 1-1/2	4-7/32	9-5/8
ALCR28-	1000	950 - 2/0	302, 161, 1-3/4	4-5/8	9-7/8
ALCR29-	1250	1000 - 500	352, 161	4-3/4	10

FOR OTHER SIZES, CONTACT YOUR SALES REPRESENTATIVE OR THE FACTORY.

* For tinned reducers, add "-TN" to the part number (example: ALCR7-5-TN for a #2 to #4 tinned reducer). For a different length connector, add the length in inches to the part number (example: ALCR28-23-7in for a 7" connector).

- Made of high-conductivity aluminum
- Accepts both aluminum and copper conductors
- Designed for 5kV and higher
- Filled with a high-voltage oxide-inhibiting compound
- Marked with conductor size and die information
- Solid center stop to ensure proper cable insertion
- When ordering, specify both cable sizes in the part numbers listed below
- Figure 1 or Figure 2 will be supplied depending on the amount of reduction



Part numbers should be formatted OATCRA-B, where **A** is the conductor code for side A (larger side) and **B** is the conductor code for side B (reduced side).

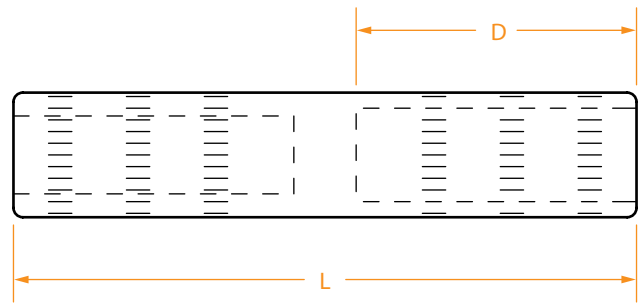
PART NUMBER*	WIRE SIZE		INSTALLING DIES	DIMENSIONS IN INCHES	
	A	B (select from range)		D	L
OATCR3-2	#6	#8	346, 161, TP, 29, 5/16	1-3/8	3
OATCR5-	#4	#6 - #8	375, 162, TB, 37	1-5/8	3-1/2
OATCR7-	#2	#4 - #8	348, 1/2, 45, TQ, 6A	1-5/8	3-1/2
OATCR8-	#1	#2 - #8	348, 1/2, 45, TQ, 6A	1-5/8	3-1/2
OATCR9-	1/0	#1 - #8	243, 52, TU, 5/8, 8A	1-5/8	3-1/2
OATCR10-	2/0	1/0 - #6	297, 58, TWTY, 5/8, 9A	1-5/8	3-1/2
OATCR11-	3/0	2/0 - #4	247, 66, 781, TV, 10A	1-7/8	4
OATCR12-	4/0	3/0 - #4	298, 840, 71H, 11A, TX	2-3/8	5
OATCR13-	250	4/0 - #4	249, 840, 76, TX, 11A	2-3/8	5
OATCR14-	300	250 - #2	251, 12A, 87H, TX	2-1/2	5-1/4
OATCR15-	350	300 - #2	299, 1-1/8, 96	2-15/16	6-1/4
OATCR18-	500	450 - #2	300, 1-5/16, 106	3-5/8	7-5/8
OATCR23-	750	700 - 1/0	301, 1-1/2, 140	4	8-1/2
OATCR28-	1000	950 - 2/0	302, 1-3/4, 161	4-3/4	10
OATCR29-	1250	1000 - 500	352, 161	5-3/8	11

FOR OTHER SIZES, CONTACT YOUR SALES REPRESENTATIVE OR THE FACTORY.

* For tinned reducers, add "-TN" to the part number (example: OATCR6-8-TN for a #6 to #8 tinned reducer). For a different length connector, add the length in inches to the part number (example: OATC28-8in for an 8" connector).

ALUMINUM CONNECTORS

- Made of high-conductivity aluminum
- Accepts both aluminum and copper conductors
- Filled with an oxide-inhibiting compound
- Marked with conductor size and die information
- Solid center stop to ensure proper cable insertion



Part numbers should be formatted **ALCRCD**A**-**B****, where **A** is the conductor code for side A (larger side) and **B** is the conductor code for side B (reduced side).

PART NUMBER*	WIRE SIZE		INSTALLING DIES	DIMENSIONS IN INCHES	
	A	B (select from range)		D	L
ALCRCD5-3	#4	#6	243, TU, 5/8, 8A, BG, 52	1-7/16	3
ALCRCD7-	#2	#6 - #8		1-7/16	3
ALCRCD9-	1/0	#1 - #8		1-7/16	3
ALCRCD10-	2/0	1/0 - #6	249, 840, TX, 11A, 76	1-7/8	4
ALCRCD11-	3/0	2/0 - #6		1-7/8	4
ALCRCD12-	4/0	3/0 - #4		1-7/8	4
ALCRCD13-	250	4/0 - #4		1-7/8	4
ALCRCD14-	300	250 - #2	299, 1-1/8, 96, 13A	2-13/32	5
ALCRCD15-	350	300 - #2		2-13/32	5
ALCRCD18-	500	450 - #2	15A, 1-5/16, 106	2-21/32	5-11/16
ALCRCD23-	750	700 - 1/0	301, 1-1/2, 140	3-3/8	6-3/16
ALCRCD28-	1000	950 - 2/0	302, 1-3/4, 161	3-5/16	8
ALCRCD29-	1250	1000 - 500	352, 161	4-3/8	9


FOR OTHER SIZES, CONTACT YOUR SALES REPRESENTATIVE OR THE FACTORY.

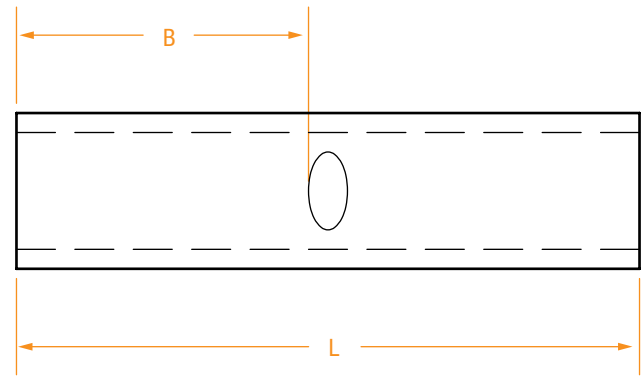
* For tinned reducers, add "-TN" to the part number (example: ALCRCD5-3-TN for a #4 to #6 tinned reducer). For a different length connector, add the length in inches to the part number (example: ALCRCD28-18-8in for an 8" connector).

Copper Compression Connectors




Copper Compression Connectors	Series	Page
Short Copper Splices	SCC Series	51
Copper Splices	CC Series	52
Tapered Copper Splices	TCC Series	53
Straight Oil-Stop Copper Splices	OCC Series	54
Tapered Oil-Stop Copper Splices	OTCC Series	55
Copper Compression Tees	CCT Series	56
Tapered Copper Compression Tees	TCCT Series	57
Copper Compression Reducers	CCR Series	58
Tapered Copper Compression Reducers	TCCR Series	59
Oil-Stop Copper Compression Reducers	OCCR Series	60
Oil-Stop Tapered Copper Compression Reducers	OTCCR Series	61
Corrugated Copper Reducing Adapters	CRA Series	62

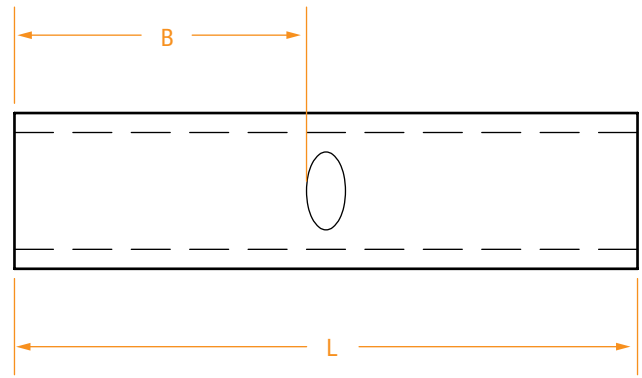
- Made of pure seamless copper tubing
- Tin-plated to resist corrosion
- Indentation in the center of the connector provides a cable stop to ensure proper installation
-  UL listed



PART NUMBER	WIRE SIZE	INSTALLING DIES	DIMENSIONS IN INCHES	
			B	L
SCC3	#6	J, 7, TE, 24, 5/16, 161	13/16	1-3/4
SCC4	#5	J, 7, TE, 24	13/16	1-3/4
SCC5	#4	5/16, 8, TP, 29	13/16	1-3/4
SCC7	#2	3/8, 10, TL-TN, 33, M, 162	7/8	1-7/8
SCC8	#1	3/8, 11, TB, 37, M, 162	7/8	1-7/8
SCC9	1/0	1/2, 12, TQ, 42	7/8	1-7/8
SCC10	2/0	9/16, 13, TS, 45	15/16	2
SCC11	3/0	5/8, 14, TU, 50	1	2-1/8
SCC12	4/0	5/8-1, 15, TW-TY, 54	1	2-1/8
SCC13	250	11/16, 16, TR, 60	1-1/16	2-1/4
SCC14	300	781, 17, TV, 66	1-1/16	2-1/4
SCC15	350	840, 18, TX, 71	1-1/8	2-3/8
SCC16	400	15/16, 19, TX, 76	1-3/16	2-1/2
SCC18	500	1, 20, TH, 87H	1-3/8	2-7/8
SCC20	600	1-1/8, 22, 96, 94H	1-3/8	2-7/8
SCC23	750	1-5/16, 24, 106	1-5/8	3-3/8
SCC28	1000	1-1/2, 27, 125	1-7/8	3-7/8
SCC29	1250	29	2	4-1/8
SCC30	1500	1-3/4, 31, 150	2	4-1/8
SCC32	2000	2.00, 34, 175	2-1/4	4-5/8
SCC33	2500	Y60 Press, L486 RT Die	2-7/16	5


FOR OTHER SIZES, CONTACT YOUR SALES REPRESENTATIVE OR THE FACTORY.

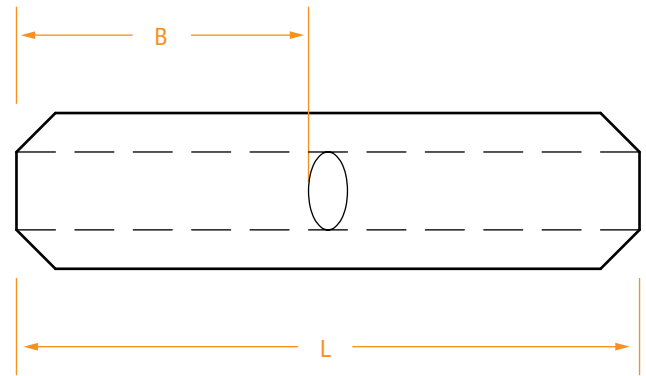
- Made of pure seamless copper tubing
- Tin-plated to resist corrosion
- Indentation in the center of the connector provides a cable stop to ensure proper installation
-  UL listed



PART NUMBER	WIRE SIZE	INSTALLING DIES	DIMENSIONS IN INCHES	
			B	L
CC3	#6	J, 7, TE, 24	1-1/8	2-3/8
CC4	#5	J, 7, TE, 24	1-1/8	2-3/8
CC5	#4	5/16, 8, TP, 29	1-1/8	2-3/8
CC7	#2	3/8, 10, TL-TN, 33	1-1/4	2-5/8
CC8	#1	3/8, 11, TB, 37	1-3/8	2-7/8
CC9	1/0	1/2, 12, TQ, 42	1-3/8	2-7/8
CC10	2/0	9/16, 13, TS, 45	1-1/2	3-1/8
CC11	3/0	5/8, 14, TU, 50	1-1/2	3-1/8
CC12	4/0	5/8-1, 15, TW-TY, 54	1-5/8	3-3/8
CC13	250	11/16, 16, TR, 60	1-5/8	3-3/8
CC14	300	781, 17, TV, 66	2	4-1/8
CC15	350	840, 18, TX, 71	2	4-1/8
CC16	400	15/16, 19, TX, 76	2-1/8	4-3/8
CC18	500	1, 20, TH, 87H	2-1/4	4-5/8
CC20	600	1-1/8, 22, 96, 94H	2-11/16	5-1/2
CC23	750	1-5/16, 24, 106	2-7/8	5-7/8
CC28	1000	1-1/2, 27, 125	3	6-1/8
CC29	1250	29	3-3/16	6-1/2
CC30	1500	1-3/4, 31, 150	3-3/16	6-1/2
CC32	2000	2.00, 34, 175	3-7/16	7
CC33	2500	1/60 Press, L486RT	3-15/16	8


FOR OTHER SIZES, CONTACT YOUR SALES REPRESENTATIVE OR THE FACTORY.

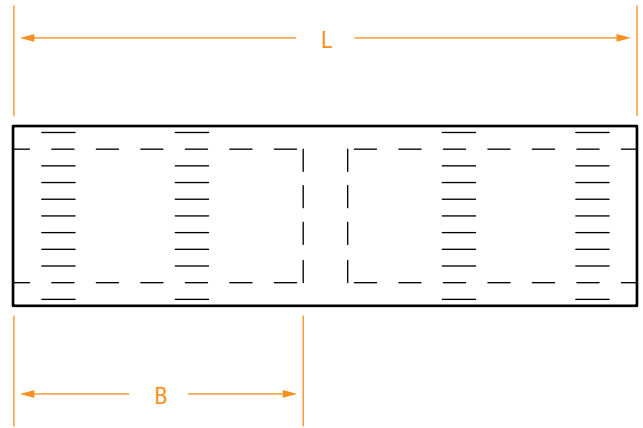
- Made of pure seamless copper tubing
- Tin-plated to resist corrosion
- Tapered ends for high-voltage use
- Indentation in the center of the connector provides a cable stop to ensure proper installation
- 12° taper
-  UL listed



PART NUMBER	WIRE SIZE	INSTALLING DIES	DIMENSIONS IN INCHES	
			B	L
TCC3	#6	J, 7, TE, 24	7/8	1-29/32
TCC5	#4	5/16, 8, TP, 29	7/8	1-29/32
TCC7	#2	3/8, 10, TL-TN, 33	31/32	2-1/16
TCC8	#1	3/8, 11, TB, 37	31/32	2-1/16
TCC9	1/0	1/2, 12, TQ, 42	31/32	2-1/16
TCC10	2/0	9/16, 13, TS, 45	1-1/32	2-7/32
TCC11	3/0	5/8, 14, TU, 50	1-1/8	2-13/32
TCC12	4/0	5/8-1, 15, TW-TY, 54	1-1/8	2-3/8
TCC13	250	11/16, 16, TR, 60	1-7/32	2-9/16
TCC14	300	781, 17, TV, 66	1-1/4	2-5/8
TCC15	350	840, 18, TX, 71	1-5/16	2-25/32
TCC16	400	15/16, 19, TX, 76	1-7/16	2-31/32
TCC18	500	1, 20, TH, 87H	1-11/16	3-17/32
TCC20	600	1-1/8, 22, 96, 94H	2-1/16	4-7/32
TCC23	750	1-5/16, 24, 106	2-1/16	4-7/32
TCC28	1000	1-1/2, 27, 125	2-7/16	4-31/32
TCC29	1250	29	3-7/32	6-1/2
TCC30	1500	1-3/4, 31, 150	3-3/16	6-1/2
TCC32	2000	2.00, 34, 175	3-15/32	6-11/16
TCC33	2500	Y60 Press, L486RT	3-15/16	8


FOR OTHER SIZES, CONTACT YOUR SALES REPRESENTATIVE OR THE FACTORY.

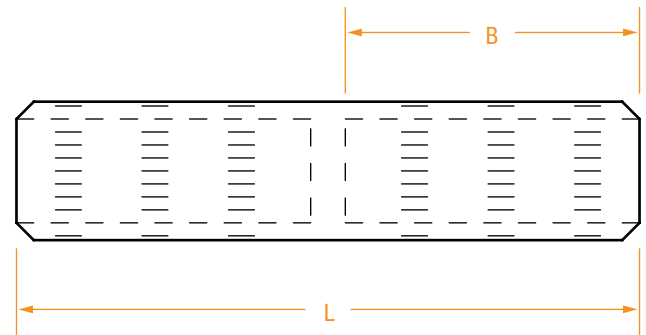
- Made of pure seamless copper tubing
- Tin-plated to resist corrosion
- Solid copper barriers are brazed in the center to insure an oil-tight seal
- Long enough for double crimping to add mechanical strength
-  UL listed



PART NUMBER	WIRE SIZE	INSTALLING DIES	DIMENSIONS IN INCHES	
			B	L
OCC3	#6	7, TE, 24	1-1/8	2-3/8
OCC5	#4	5/16, 8, TP, 29, 161	1-1/8	2-3/8
OCC7	#2	3/8, 10, TL-TN, 162	1-1/4	2-5/8
OCC8	#1	3/8, 11, TB, 37, 276	1-3/8	2-7/8
OCC9	1/0	1/2, 12, TQ, 42, 163	1-3/8	2-7/8
OCC10	2/0	9/16, 13, TS, 164	1-1/2	3-1/8
OCC11	3/0	5/8, 14, TU, 243	1-1/2	3-1/8
OCC12	4/0	5/8-1, 15, 165	1-5/8	3-3/8
OCC13	250	11/16, 16, TR, 166	1-5/8	3-3/8
OCC14	300	781, 17, TV, 167	2	4-1/8
OCC15	350	840, 18, TX, 168	2	4-1/8
OCC16	400	15/16, 19, TX, 169	2-1/8	4-3/8
OCC18	500	1, 20, 170	2-1/4	4-5/8
OCC20	600	1-1/8-2, 22, 96, 316, 94H	2-11/16	5-1/2
OCC23	750	1-5/16, 24, 106, 317	2-7/8	5-7/8
OCC24	800	1-5/16, 25, 112, 300	2-15/16	6
OCC28	1000	1-1/2, 27, 125	3	6-1/8
OCC29	1250	29	3-1/4	7


FOR OTHER SIZES, CONTACT YOUR SALES REPRESENTATIVE OR THE FACTORY.

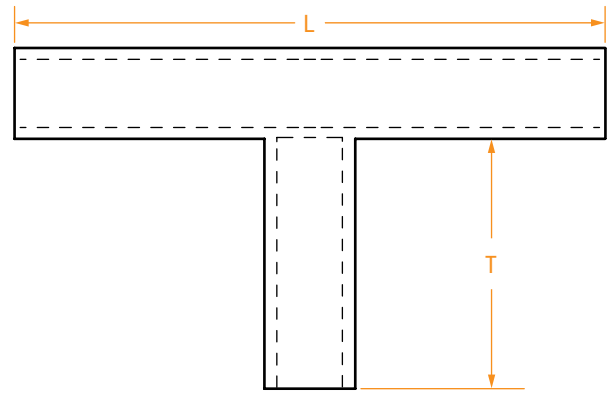
- Made of pure seamless copper tubing
- Tin-plated to resist corrosion
- Tapered ends for high-voltage use
- Solid copper barriers are brazed in the center to insure an oil-tight seal
- 12° taper
-  UL listed



PART NUMBER	WIRE SIZE	INSTALLING DIES	DIMENSIONS IN INCHES	
			B	L
OTCC3	#6	J, 7, TE, 24	7/8	1-29/32
OTCC5	#4	5/16, 8, TP, 29	7/8	1-29/32
OTCC7	#2	3/8, 10, TL-TN, 33	31/32	2-1/16
OTCC8	#1	3/8, 11, TB, 37	31/32	2-1/16
OTCC9	1/0	1/2, 12, TQ, 42	31/32	2-1/16
OTCC10	2/0	9/16, 13, TS, 45	1-1/32	2-7/32
OTCC11	3/0	5/8, 14, TU, 50	1-1/8	2-13/32
OTCC12	4/0	5/8-1, 15, TW-TY, 54	1-1/8	2-3/8
OTCC13	250	11/16, 16, TR, 60	1-7/32	2-9/16
OTCC14	300	781, 17, TV, 66	1-1/4	2-5/8
OTCC15	350	840, 18, TX, 71	1-5/16	2-25/32
OTCC16	400	15/16, 19, TX, 76	1-7/16	2-31/32
OTCC18	500	1, 20, TH, 87H	1-11/16	3-17/32
OTCC20	600	1-1/8, 22, 96, 94H	2-1/16	4-7/32
OTCC23	750	1-5/16, 24, 106	2-1/16	4-7/32
OTCC28	1000	1-1/2, 27, 125	2-7/16	4-31/32
OTCC29	1250	29	3-7/32	6-1/2
OTCC30	1500	1-3/4, 31, 150	3-7/32	6-1/2
OTCC32	2000	2.00, 34, 175	3-15/32	6-11/16

FOR OTHER SIZES, CONTACT YOUR SALES REPRESENTATIVE OR THE FACTORY.

- Made of pure seamless copper tubing
- Tin-plated to resist corrosion
- Available in different run and tap sizes
- Marked with conductor size and die information
-  UL listed




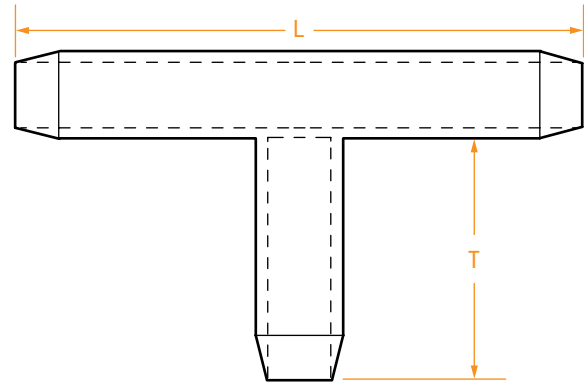
COPPER CONNECTORS

PART NUMBER	WIRE SIZE		DIMENSIONS IN INCHES	
	RUN	TAP	L	T
CCT9-3	1/0	#6	3-3/4	1-1/2
CCT9-5	1/0	#4	3-13/16	1-1/2
CCT9-7	1/0	#2	3-7/8	1-1/2
CCT9-8	1/0	#1	3-15/16	1-1/2
CCT9	1/0	1/0	4	1-1/2
CCT10-3	2/0	#6	3-29/32	1-5/8
CCT10-5	2/0	#4	3-31/32	1-5/8
CCT10-7	2/0	#2	4-1/32	1-5/8
CCT10-8	2/0	#1	4-3/32	1-5/8
CCT10-9	2/0	1/0	4-5/32	1-5/8
CCT10	2/0	2/0	4-5/32	1-5/8
CCT12-7	4/0	#2	4-3/16	1-3/4
CCT12-8	4/0	#1	4-3/16	1-3/4
CCT12-9	4/0	1/0	4-1/4	1-3/4
CCT12-10	4/0	2/0	4-5/16	1-3/4
CCT12	4/0	4/0	4-7/16	1-3/4
CCT13-7	250	#2	4-1/4	1-3/4
CCT13-8	250	#1	4-1/4	1-3/4
CCT13-9	250	1/0	4-5/16	1-3/4
CCT13-10	250	2/0	4-3/8	1-3/4
CCT13-12	250	4/0	4-1/2	1-3/4
CCT13	250	250	4-9/16	1-3/4
CCT15-9	350	1/0	5-37/64	2-3/16
CCT15-10	350	2/0	5-37/64	2-3/16
CCT15-12	350	4/0	5-23/32	2-3/16
CCT15	350	350	5-29/32	2-3/16

PART NUMBER	WIRE SIZE		DIMENSIONS IN INCHES	
	RUN	TAP	L	T
CCT16-9	400	1/0	5-21/32	2-3/8
CCT16-10	400	2/0	5-21/32	2-3/8
CCT6-12	400	4/0	5-25/32	2-3/8
CCT16-13	400	250	5-27/32	2-3/8
CCT16-14	400	300	5-29/32	2-3/8
CCT16-15	400	350	5-31/32	2-3/8
CCT16	400	400	6-1/32	2-3/8
CCT18-9	500	1/0	6-23/64	2-19/32
CCT18-10	500	2/0	6-23/64	2-19/32
CCT18-12	500	4/0	6-15/32	2-19/32
CCT18-13	500	250	6-17/32	2-19/32
CCT18-15	500	350	6-21/32	2-19/32
CCT18-16	500	400	6-23/32	2-19/32
CCT18	500	500	6-23/32	2-19/32
CCT20-10	600	2/0	7-3/16	3-3/32
CCT20-12	600	4/0	7-7/16	3-3/32
CCT20-13	600	350	7-9/16	3-3/32
CCT20-18	600	500	7-11/16	3-3/32
CCT20	600	600	7-7/8	3-3/32
CCT23-15	750	350	7-7/8	3-3/8
CCT23-18	750	500	7-7/8	3-3/8
CCT23	750	750	7-7/8	3-3/8
CCT28-18	1,000	500	9-1/2	4
CCT28-20	1,000	600	9-1/2	4
CCT28-23	1,000	750	9-1/2	4
CCT28	1,000	1,000	9-1/2	4

FOR OTHER SIZES, CONTACT YOUR SALES REPRESENTATIVE OR THE FACTORY.

- Made of pure seamless copper tubing
- Tin-plated to resist corrosion
- Available in different run and tap sizes
- Marked with conductor size and die information
-  UL listed

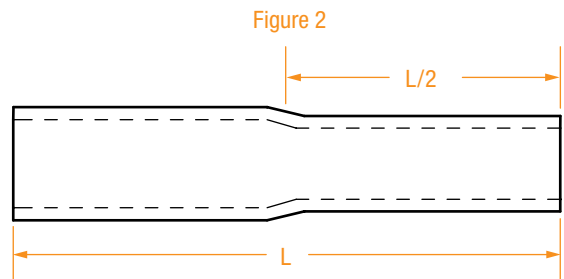
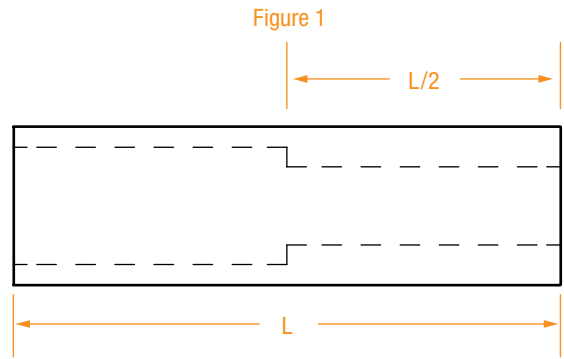


PART NUMBER	WIRE SIZE		DIMENSIONS IN INCHES	
	RUN	TAP	L	T
TCCT9-3	1/0	#6	3-3/4	1-1/2
TCCT9-5	1/0	#4	3-13/16	1-1/2
TCCT9-7	1/0	#2	3-7/8	1-1/2
TCCT9-8	1/0	#1	3-15/16	1-1/2
TCCT9	1/0	1/0	4	1-1/2
TCCT10-3	2/0	#6	3-29/32	1-5/8
TCCT10-5	2/0	#4	3-31/32	1-5/8
TCCT10-7	2/0	#2	4-1/32	1-5/8
TCCT10-8	2/0	#1	4-3/32	1-5/8
TCCT10-9	2/0	1/0	4-5/32	1-5/8
TCCT10	2/0	2/0	4-5/32	1-5/8
TCCT12-7	4/0	#2	4-3/16	1-3/4
TCCT12-8	4/0	#1	4-3/16	1-3/4
TCCT12-9	4/0	1/0	4-1/4	1-3/4
TCCT12-10	4/0	2/0	4-5/16	1-3/4
TCCT12	4/0	4/0	4-7/16	1-3/4
TCCT13-7	250	#2	4-1/4	1-3/4
TCCT13-8	250	#1	4-1/4	1-3/4
TCCT13-9	250	1/0	4-5/16	1-3/4
TCCT13-10	250	2/0	4-3/8	1-3/4
TCCT13-12	250	4/0	4-1/2	1-3/4
TCCT13	250	250	4-9/16	1-3/4
TCCT15-9	350	1/0	5-37/64	2-3/16
TCCT15-10	350	2/0	5-37/64	2-3/16
TCCT15-12	350	4/0	5-23/32	2-3/16
TCCT15	350	350	5-29/32	2-3/16

PART NUMBER	WIRE SIZE		DIMENSIONS IN INCHES	
	RUN	TAP	L	T
TCCT16-9	400	1/0	5-21/32	2-3/8
TCCT16-10	400	2/0	5-21/32	2-3/8
TCCT16-12	400	4/0	5-25/32	2-3/8
TCCT16-13	400	250	5-27/32	2-3/8
TCCT16-14	400	300	5-29/32	2-3/8
TCCT16-15	400	350	5-31/32	2-3/8
TCCT16	400	400	6-1/32	2-3/8
TCCT18-9	500	1/0	6-23/64	2-19/32
TCCT18-10	500	2/0	6-23/64	2-19/32
TCCT18-12	500	4/0	6-15/32	2-19/32
TCCT18-13	500	250	6-17/32	2-19/32
TCCT18-15	500	350	6-21/32	2-19/32
TCCT18-16	500	400	6-23/32	2-19/32
TCCT18	500	500	6-23/32	2-19/32
TCCT20-10	600	2/0	7-3/16	3-3/32
TCCT20-12	600	4/0	7-7/16	3-3/32
TCCT20-13	600	350	7-9/16	3-3/32
TCCT20-18	600	500	7-11/16	3-3/32
TCCT20	600	600	7-7/8	3-3/32
TCCT23-15	750	350	7-7/8	3-3/8
TCCT23-18	750	500	7-7/8	3-3/8
TCCT23	750	750	7-7/8	3-3/8
TCCT28-18	1,000	500	9-1/2	4
TCCT28-20	1,000	600	9-1/2	4
TCCT28-23	1,000	750	9-1/2	4
TCCT28	1,000	1,000	9-1/2	4

FOR OTHER SIZES, CONTACT YOUR SALES REPRESENTATIVE OR THE FACTORY.

- Made of pure seamless copper tubing
- Tin-plated to resist corrosion
- Below is a list of common conductor sizes and the range of reduction sizes available. When ordering, specify both cable sizes in the part numbers listed below. A Figure 1 or Figure 2 design will be supplied depending on the amount of reduction.
- All connectors are marked with conductor size and die information

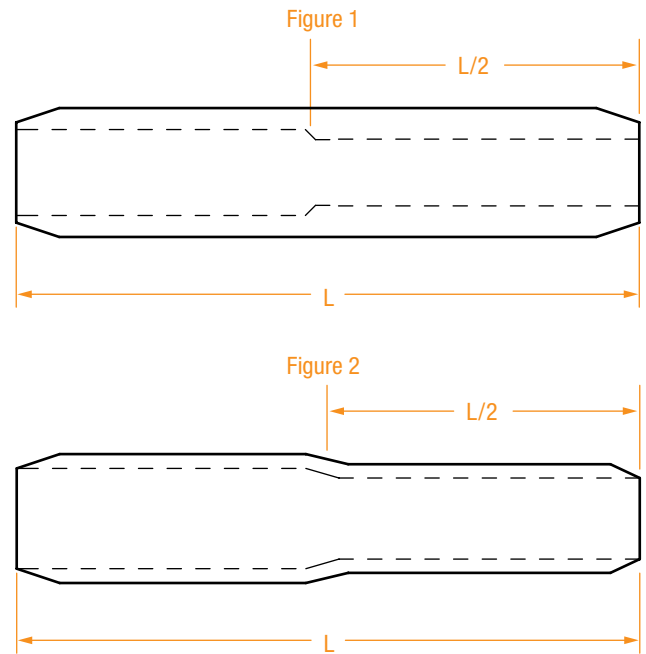


Part numbers should be formatted **CCRA-B**, where **A** is the conductor code for side A (larger side) and **B** is the conductor code for side B (reduced side).

PART NUMBER	WIRE SIZE		DIMENSIONS IN INCHES
	A	B (select from range)	L
CCR3-	#6	#8 - #10	2
CCR5-	#4	#6 - #8	2
CCR7-	#2	#4 - #8	2
CCR8-	#1	#2 - #8	2-1/4
CCR9-	1/0	#1 - #6	2-1/4
CCR10-	2/0	1/0 - #6	2-1/4
CCR11-	3/0	2/0 - #6	3-1/2
CCR12-	4/0	3/0 - #6	3-1/2
CCR13-	250	4/0 - #4	3-3/4
CCR14-	300	250 - #4	3-3/4
CCR15-	350	300 - #4	3-3/4
CCR18-	500	450 - 1/0	4-1/4
CCR23-	750	700 - 1/0	4-3/4
CCR28-	1000	950 - 2/0	6
CCR29-	1250	1000 - 4/0	7

FOR OTHER SIZES, CONTACT YOUR SALES REPRESENTATIVE OR THE FACTORY.

- Made of pure seamless copper tubing
- Tin-plated to resist corrosion
- Below is a list of common conductor sizes and the range of reduction sizes available. When ordering, specify both cable sizes in the part numbers listed below. A Figure 1 or Figure 2 design will be supplied depending on the amount of reduction.
- All connectors are marked with conductor size and die information

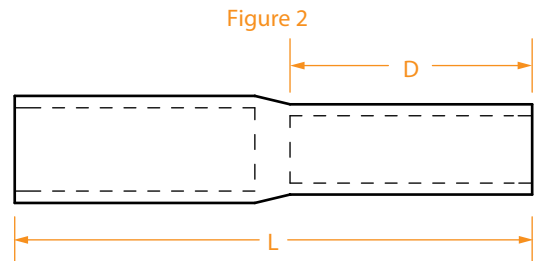
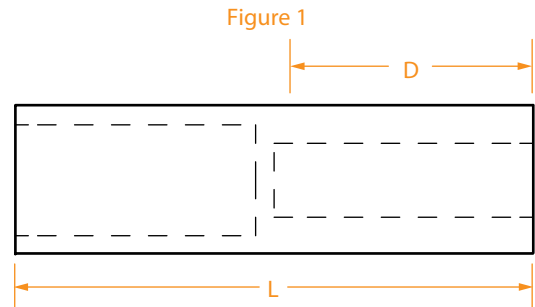


Part numbers should be formatted TCCRA-B, where **A** is the conductor code for side A (larger side) and **B** is the conductor code for side B (reduced side).

PART NUMBER	WIRE SIZE		INSTALLING DIES	DIMENSIONS IN INCHES
	A	B (select from range)		L
TCCR3-	#6	#8 - #10	7, TE, 24	2
TCCR5-	#4	#6 - #8	5/16, 8, TP, 29, 161	2
TCCR7-	#2	#4 - #8	3/8, 10, TL-TN, 162	2
TCCR8-	#1	#2 - #8	3/8, 11, TB, 37, 276	2-1/4
TCCR9-	1/0	#1 - #6	1/2, 12, TQ, 42, 163	2-1/4
TCCR10-	2/0	1/0 - #6	9/16, 13, TS, 164	2-1/4
TCCR11-	3/0	2/0 - #4	5/8, 14, TU, 243	3-1/2
TCCR12-	4/0	3/0 - #6	5/8-1, 15, 165	3-1/2
TCCR13-	250	4/0 - #4	11/16, 16, TR, 166	3-3/4
TCCR14-	300	250 - #4	781, 17, TV, 167	3-3/4
TCCR15-	350	300 - #4	840, 18, TX, 168	3-3/4
TCCR18-	500	450 - 1/0	1, 20, 170	4-1/4
TCCR23-	750	700 - 1/0	1-5/16, 24, 106, 317	4-3/4
TCCR28-	1000	950 - 2/0	1-1/2, 27, 125	6
TCCR29-	1250	1000 - 4/0	29	8

FOR OTHER SIZES, CONTACT YOUR SALES REPRESENTATIVE OR THE FACTORY.

- Made of high-conductivity copper
- Tin-plated to resist corrosion
- Below is a list of common conductor sizes and the range of reduction sizes available. When ordering, specify both cable sizes in the part numbers listed below. A Figure 1 or Figure 2 design will be supplied depending on the amount of reduction.
- All connectors are marked with conductor size and die information

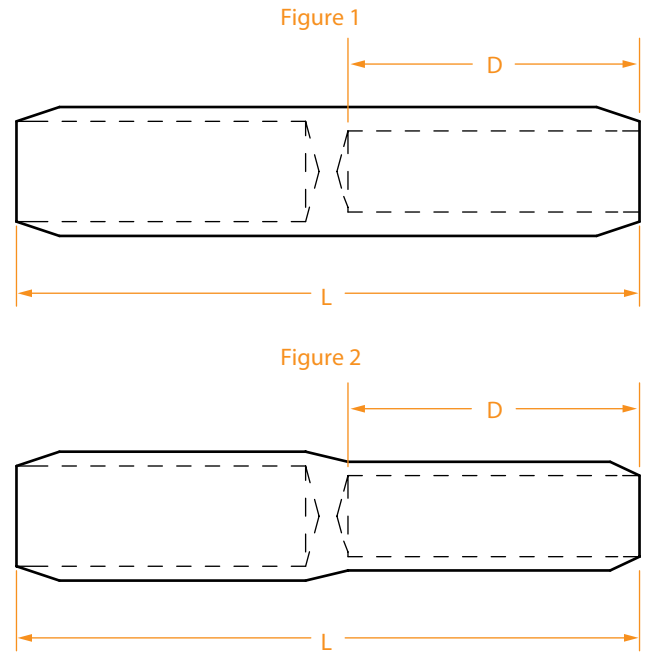


Part numbers should be formatted OCCRA-B, where **A** is the conductor code for side A (larger side) and **B** is the conductor code for side B (reduced side).

PART NUMBER	WIRE SIZE		INSTALLING DIES	DIMENSIONS IN INCHES	
	A	B (select from range)		L	D
OCCR3-	#6	#8 - #10	7, TE, 24	2	7/8
OCCR5-	#4	#6 - #8	5/16, 8, TP, 29, 161	2	7/8
OCCR7-	#2	#4 - #8	3/8, 10, TL-TN, 162	2	7/8
OCCR8-	#1	#2 - #8	3/8, 11, TB, 37, 276	2-1/4	1
OCCR9-	1/0	#1 - #6	1/2, 12, TQ, 42, 163	2-1/4	1
OCCR10-	2/0	1/0 - #6	9/16, 13, TS, 164	2-1/4	1
OCCR11-	3/0	2/0 - #6	5/8, 14, TU, 243	3-1/2	1-5/8
OCCR12-	4/0	3/0 - #6	5/8-1, 15, 165	3-1/2	1-5/8
OCCR13-	250	4/0 - #4	11/16, 16, TR, 166	3-3/4	1-3/4
OCCR14-	300	250 - #4	781, 17, TV, 167	3-3/4	1-3/4
OCCR15-	350	300 - #4	840, 18, TX, 168	3-3/4	1-11/16
OCCR18-	500	450 - 1/0	1, 20, 170	4-1/4	1-15/16
OCCR23-	750	700 - 1/0	1-5/16, 24, 106, 317	4-3/4	2-1/8
OCCR28-	1000	950 - 2/0	1-1/2, 27, 125	6	2-3/4
OCCR29-	1250	1000 - 4/0	29	8	3-3/4

FOR OTHER SIZES, CONTACT YOUR SALES REPRESENTATIVE OR THE FACTORY.

- Made of high-conductivity copper
- Tin-plated to resist corrosion
- Below is a list of common conductor sizes and the range of reduction sizes available. When ordering, specify both cable sizes in the part numbers listed below. A Figure 1 or Figure 2 design will be supplied depending on the amount of reduction.
- All connectors are marked with conductor size and die information



Part numbers should be formatted OTCCRA-B, where **A** is the conductor code for side A (larger side) and **B** is the conductor code for side B (reduced side).

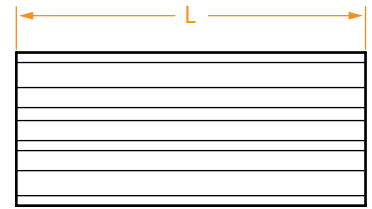
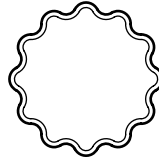
PART NUMBER	WIRE SIZE		INSTALLING DIES	DIMENSIONS IN INCHES	
	A	B (select from range)		L	D
OTCCR3-	#6	#8 - #10	7, TE, 24	2	7/8
OTCCR5-	#4	#6 - #8	5/16, 8, TP, 29, 161	2	7/8
OTCCR7-	#2	#4 - #8	3/8, 10, TL-TN, 162	2	7/8
OTCCR8-	#1	#2 - #8	3/8, 11, TB, 37, 276	2-1/4	1
OTCCR9-	1/0	#1 - #6	1/2, 12, TQ, 42, 163	2-1/4	1
OTCCR10-	2/0	1/0 - #6	9/16, 13, TS, 164	2-1/4	1
OTCCR11-	3/0	2/0 - #4	5/8, 14, TU, 243	3-1/2	1-5/8
OTCCR12-	4/0	3/0 - #6	5/8-1, 15, 165	3-1/2	1-5/8
OTCCR13-	250	4/0 - #4	11/16, 16, TR, 166	3-3/4	1-3/4
OTCCR14-	300	250 - #4	781, 17, TV, 167	3-3/4	1-3/4
OTCCR15-	350	300 - #4	840, 18, TX, 168	3-3/4	1-11/16
OTCCR18-	500	450 - 1/0	1, 20, 170	4-1/4	1-15/16
OTCCR23-	750	700 - 1/0	1-5/16, 24, 106, 317	4-3/4	2-1/8
OTCCR28-	1000	950 - 2/0	1-1/2, 27, 125	6	2-3/4
OTCCR29-	1250	1000 - 4/0	29	8	3-3/4

FOR OTHER SIZES, CONTACT YOUR SALES REPRESENTATIVE OR THE FACTORY.

CORRUGATED COPPER REDUCING ADAPTERS

CRA Series

- Used to reduce the socket size of a standard compression connector – enabling the use of a smaller wire size
- Fabricated from pure soft copper
- Hot-tinned to resist corrosion
- Some sizes are not available with corrugation and have a smooth I.D and O.D.



PART NUMBER	CABLE SIZE		DIMENSIONS IN INCHES
	FROM	TO	L
CRA12-3	4/0	#6	1-3/4
CRA12-5	4/0	#4	1-3/4
CRA12-7	4/0	#2	1-3/4
CRA12-8	4/0	#1	1-3/4
CRA12-9	4/0	1/0	1-3/4
CRA12-10	4/0	2/0	1-3/4
CRA12-11	4/0	3/0	1-3/4
CRA15-3	350	#6	1-3/4
CRA15-5	350	#4	1-3/4
CRA15-7	350	#2	1-3/4
CRA15-9	350	1/0	1-3/4
CRA15-11	350	3/0	1-3/4
CRA15-12	350	4/0	1-3/4
CRA15-13	350	250	1-3/4
CRA15-14	350	300	1-3/4

PART NUMBER	CABLE SIZE		DIMENSIONS IN INCHES
	FROM	TO	L
CRA18-3	500	#6	2-1/2
CRA18-5	500	#4	2-1/2
CRA18-7	500	#2	2-1/2
CRA18-8	500	#1	2-1/2
CRA18-9	500	1/0	2-1/2
CRA18-10	500	2/0	2-1/2
CRA18-11	500	3/0	2-1/2
CRA18-13	500	250	2-1/2
CRA18-14	500	300	2-1/2
CRA18-15	500	350	2-1/2
CRA18-16	500	400	2-1/2
CRA23-12	750	4/0	2-1/2
CRA23-15	750	350	2-1/2
CRA23-16	750	400	2-1/2
CRA23-18	750	500	2-1/2
CRA23-20	750	600	2-1/2

NOTE: Many other sizes available.

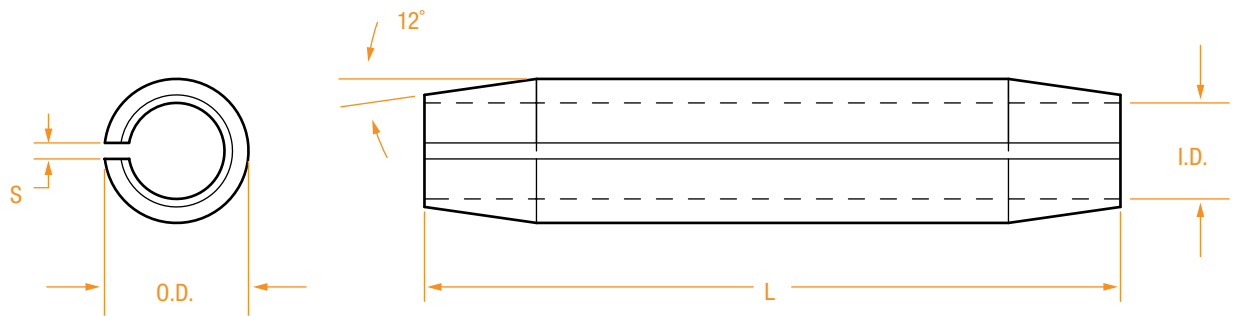
FOR OTHER SIZES, CONTACT YOUR SALES REPRESENTATIVE OR THE FACTORY.

Split Tinned Connectors



Split Tinned Connectors	Series	Page
Split Tinned Straight Connectors	RSS Series	65
Split Tinned Concentric Reducing Connectors.....	CR Series	66
Split Tinned Branch Connectors – Full Duplex.....	FD Series.....	67
Split Tinned Branch Connectors – Half Duplex.....	HD Series	68
Split Tinned Tee Connectors	ST Series.....	69
Lead Splicing Sleeves.....	LSV Series.....	70

- Made of pure copper
- Tin-plated to resist corrosion
- Fabricated in accordance with EEL specifications

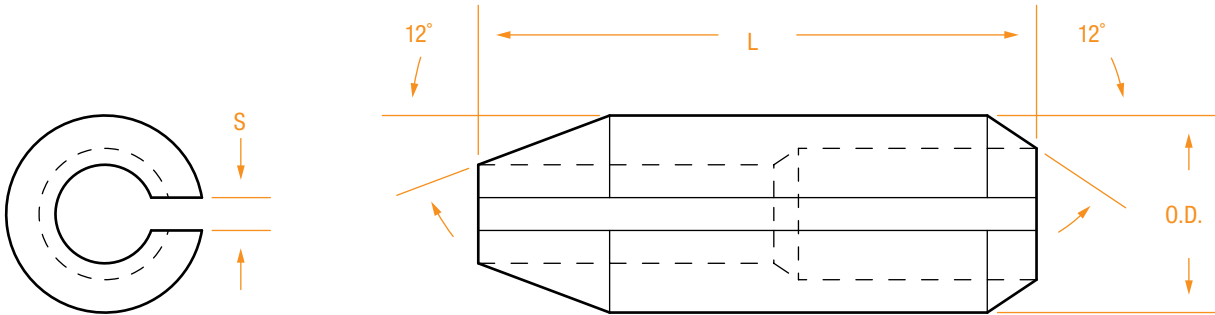


PART NUMBER*	WIRE SIZE	DIMENSIONS IN INCHES			
		L	S	I.D.	O.D.
RSS3	#6	1.5	0.030	0.189	0.251
RSS5	#4	2.0	0.030	0.237	0.315
RSS7	#2	2.0	0.030	0.297	0.395
RSS8	#1	2.0	0.070	0.337	0.449
RSS9	1/0	2.0	0.070	0.378	0.504
RSS10	2/0	2.0	0.070	0.423	0.565
RSS11	3/0	2.0	0.070	0.475	0.635
RSS12	4/0	2.5	0.070	0.533	0.713
RSS13	250	2.5	0.120	0.581	0.778
RSS14	300	2.5	0.120	0.635	0.849
RSS15	350	2.5	0.120	0.690	0.920
RSS16	400	3.0	0.120	0.740	0.986
RSS17	450	3.0	0.120	0.784	1.046
RSS18	500	3.0	0.120	0.826	1.102
RSS19	550	3.0	0.175	0.868	1.154

PART NUMBER*	WIRE SIZE	DIMENSIONS IN INCHES			
		L	S	I.D.	O.D.
RSS20	600	3.5	0.175	0.906	1.206
RSS21	650	3.5	0.175	0.948	1.260
RSS22	700	3.5	0.175	0.983	1.307
RSS23	750	3.5	0.175	1.018	1.356
RSS24	800	4.0	0.175	1.050	1.400
RSS25	850	4.0	0.220	1.083	1.441
RSS26	900	4.0	0.220	1.115	1.483
RSS27	950	4.0	0.220	1.145	1.525
RSS28	1,000	4.5	0.220	1.175	1.565
RSS29	1,250	4.5	0.220	1.320	1.754
RSS30	1,500	5.0	0.280	1.440	1.912
RSS31	1,750	5.5	0.280	1.560	2.074
RSS32	2,000	6.0	0.280	1.664	2.214
RSS33	2,500	6.5	0.280	1.885	2.455

* For "weak back" connectors, add "-WB" to the part number.

- Made of pure copper
- Tin-plated to resist corrosion
- Fabricated in accordance with EEL specifications
- The larger wire size dictates the price of the connector
- When ordering, specify a second wire size after the part number shown below
- 12° taper



Part numbers should be formatted **CRA-B**, where **A** is the conductor code for side A (larger side) and **B** is the conductor code for side B (reduced side).

PART NUMBER*	WIRE SIZE	DIMENSIONS IN INCHES		
	A	L	S	O.D.
CR3-	#6	1.5	0.030	0.251
CR4-	#5	1.5	0.030	0.295
CR5-	#4	2.0	0.030	0.315
CR6-	#3	2.0	0.030	0.353
CR7-	#2	2.0	0.030	0.395
CR8-	#1	2.0	0.070	0.449
CR9-	1/0	2.0	0.070	0.504
CR10-	2/0	2.0	0.070	0.565
CR11-	3/0	2.0	0.070	0.635
CR12-	4/0	2.5	0.070	0.713
CR13-	250	2.5	0.120	0.778
CR14-	300	2.5	0.120	0.849
CR15-	350	2.5	0.120	0.920
CR16-	400	3.0	0.120	0.986
CR17-	450	3.0	0.120	1.046

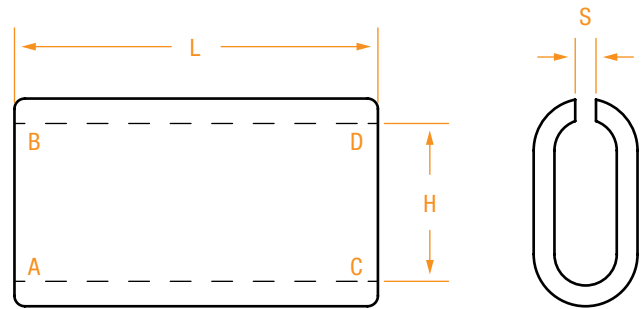
PART NUMBER*	WIRE SIZE	DIMENSIONS IN INCHES		
	A	L	S	O.D.
CR18-	500	3.0	0.120	1.102
CR19-	550	3.0	0.175	1.154
CR20-	600	3.5	0.175	1.206
CR21-	650	3.5	0.175	1.260
CR22-	700	3.5	0.175	1.307
CR23-	750	3.5	0.175	1.356
CR24-	800	4.0	0.175	1.400
CR26-	900	4.0	0.220	1.483
CR28-	1,000	4.5	0.220	1.565
CR29-	1,250	4.5	0.220	1.754
CR30-	1,500	5.0	0.280	1.912
CR31-	1,750	5.5	0.280	2.074
CR32-	2,000	6.0	0.280	2.214
CR33-	2,500	6.5	0.280	2.455

FOR OTHER SIZES, CONTACT YOUR SALES REPRESENTATIVE OR THE FACTORY.

* Add second wire size to the part number when ordering (example: CR23-18 is a concentric reducer for 750 to 500 mcm copper cables).

SPLIT TINNED

- Available in any combination of wire sizes
- Made of pure copper
- Tin-plated to resist corrosion
- Fabricated in accordance with EEL specifications
- Price is governed by the largest wire size
- When ordering, specify sizes as A & B to C & D

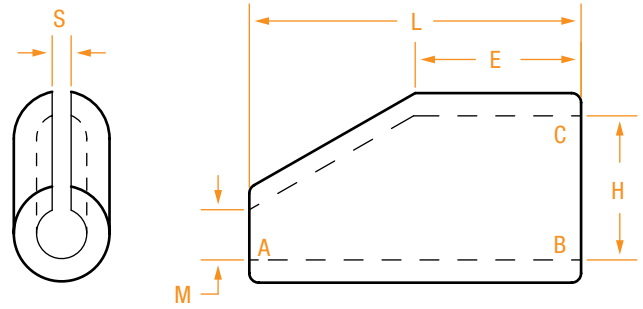


PART NUMBER	WIRE SIZE	DIMENSIONS IN INCHES		
		L	H	S
FD3	#6	1.5	0.378	0.050
FD5	#4	2.0	0.474	0.070
FD6	#3	2.0	0.530	0.070
FD7	#2	2.0	0.594	0.070
FD8	#1	2.0	0.647	0.070
FD9	1/0	2.0	0.756	0.070
FD10	2/0	2.0	0.846	0.070
FD11	3/0	2.0	0.950	0.070
FD12	4/0	2.5	1.066	0.120
FD13	250	2.5	1.162	0.120
FD14	300	2.5	1.270	0.120
FD15	350	2.5	1.380	0.120
FD16	400	3.0	1.480	0.175
FD17	450	3.0	1.560	0.175
FD18	500	3.0	1.652	0.175
FD19	550	3.0	1.736	0.175
FD20	600	3.5	1.812	0.175
FD21	650	3.5	1.896	0.175

FOR OTHER SIZES, CONTACT YOUR SALES REPRESENTATIVE OR THE FACTORY.

SPLIT TINNED

- Available in any combination of wire sizes
- Made of pure copper
- Tin-plated to resist corrosion
- Fabricated in accordance with EEL specifications
- Price is governed by the largest wire size
- When ordering, specify sizes A and B & C

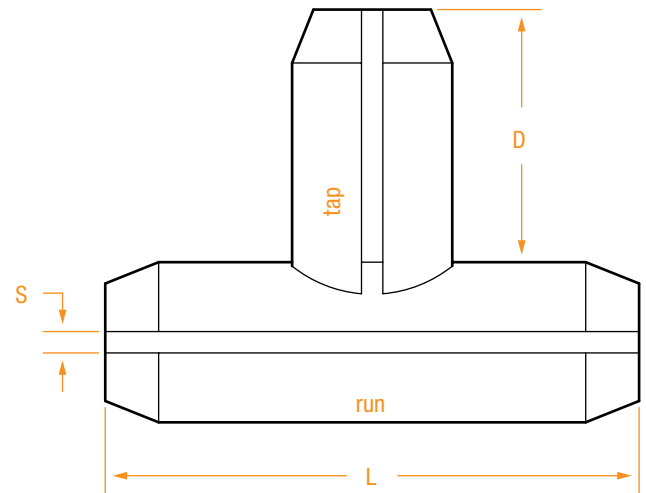


SPLIT TINNED

PART NUMBER	WIRE SIZE	DIMENSIONS IN INCHES				
		M	H	E	L	S
HD3	#6	0.189	0.378	0.75	1.5	0.050
HD5	#4	0.237	0.474	1.00	2.0	0.070
HD6	#3	0.265	0.530	1.00	2.0	0.070
HD7	#2	0.297	0.594	1.00	2.0	0.070
HD8	#1	0.337	0.674	1.00	2.0	0.070
HD9	1/0	0.378	0.756	1.00	2.0	0.070
HD10	2/0	0.423	0.846	1.00	2.0	0.070
HD11	3/0	0.475	0.950	1.00	2.0	0.070
HD12	4/0	0.533	1.066	1.25	2.5	0.120
HD13	250	0.581	1.162	1.25	2.5	0.120
HD14	300	0.635	1.270	1.25	2.5	0.120
HD15	350	0.690	1.380	1.25	2.5	0.120
HD16	400	0.740	1.480	1.50	3.0	0.175
HD17	450	0.784	1.568	1.50	3.0	0.175
HD18	500	0.826	1.652	1.50	3.0	0.175
HD19	550	0.868	1.736	1.50	3.0	0.175
HD20	600	0.906	1.812	1.75	3.5	0.175
HD21	650	0.948	1.896	1.75	3.5	0.175
HD23	750	1.018	2.036	1.75	3.5	0.220
HD24	800	1.052	2.104	2.00	4.0	0.220
HD25	850	1.083	2.166	2.00	4.0	0.220
HD28	1000	1.2	2.32	2.35	4.5	0.150
HD32	2000	1.7	3.4	3.2	6.0	0.260

FOR OTHER SIZES, CONTACT YOUR SALES REPRESENTATIVE OR THE FACTORY.

- Available in any combination of wire sizes
- Made of pure copper
- Tin-plated to resist corrosion
- Silver solder is used as a brazing material for mechanical strength and conductivity
- The larger wire size dictates the price of the connector.
- Fabricated in accordance with EEL specifications
- When ordering, specify a “tap” wire size after the part number shown below



PART NUMBER	WIRE	DIMENSIONS IN INCHES		
	RUN	L	D	S
ST1-	#10	1.5	3/4	0.030
ST2-	#8	1.5	3/4	0.030
ST3-	#6	1.5	3/4	0.030
ST5-	#4	2.0	1	0.030
ST6-	#3	2.0	1	0.030
ST7-	#2	2.0	1	0.030
ST8-	#1	2.0	1	0.070
ST9-	1/0	2.0	1	0.070
ST10-	2/0	2.0	1	0.070
ST11-	3/0	2.0	1	0.070
ST12-	4/0	2.5	1-1/4	0.070
ST13-	250	2.5	1-1/4	0.120
ST14-	300	2.5	1-1/4	0.120
ST15-	350	2.5	1-1/4	0.120
ST16-	400	3.0	1-1/2	0.120

PART NUMBER	WIRE	DIMENSIONS IN INCHES		
	RUN	L	D	S
ST17-	450	3.0	1-1/2	0.120
ST18-	500	3.0	1-1/2	0.120
ST19-	550	3.0	1-1/2	0.175
ST20-	600	3.5	1-3/4	0.175
ST21-	650	3.5	1-3/4	0.175
ST22-	700	3.5	1-3/4	0.175
ST23-	750	3.5	1-3/4	0.175
ST24-	800	4.0	2	0.175
ST26-	900	4.0	2	0.220
ST28-	1,000	4.5	2-1/4	0.220
ST29-	1,250	4.5	2-1/4	0.220
ST30-	1,500	5.0	2-1/2	0.280
ST31-	1,750	5.5	2-3/4	0.280
ST32-	2,000	6.0	3	0.280
ST33-	2,500	6.5	3-1/4	0.280

FOR OTHER SIZES, CONTACT YOUR SALES REPRESENTATIVE OR THE FACTORY.

SPLIT TINNED

- Used in conjunction with split tinned connectors when splicing PILC cable
- Bridges lead neutral
- When ordering, specify length (L), inside diameter (ID) and thickness (T)

INSIDE DIAMETER (ID)	THICKNESS (T)
2.00"	.125"
2.50"	.125"
2.50"	.150"
3.00"	.125"
3.50"	.150"
4.00"	.200"
4.50"	.200"
6.00"	.200"

FOR OTHER SIZES, CONTACT YOUR SALES REPRESENTATIVE OR THE FACTORY.

SPLIT TINNED

Distribution Equipment

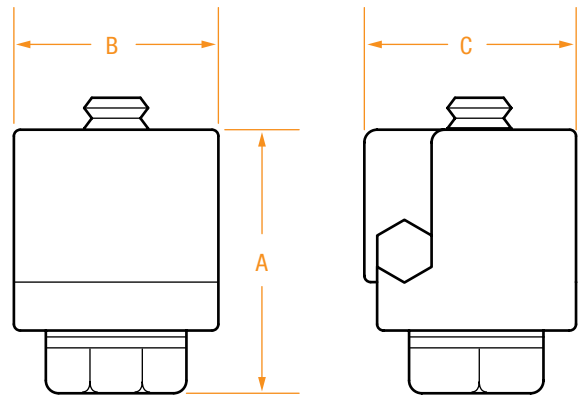


Distribution Equipment

	Series	Page
Bronze Vise Connectors – Jaws Overlap	VC Series	73
Aluminum Hot-Line Clamps	AHLC Series	74
Bronze Hot-Line Clamps	BHLC Series	75
Aluminum Hot-Line Clamps	AHLC-397 Series	76
Aluminum Parallel Clamps With Plastic Covers	APC Series	77
Aluminum & Bronze Stirrup Connectors	ASC & BSC Series	78
Aluminum Clamshell Stirrups	BCASC Series	79
Bronze Vise Connectors – Jaws Meet	VC-H Series	80
Tank Ground Connectors	RTG Series	81
Service Drop Connectors	RSD Series	82
Mid-Span Clamps	SDC & SEC Series	83
Neutral Dead Ends	RDE Series	84
Stirrups	RST Series	85
Overhead Bail Clamps	RB Series	86
Bolted Wedge Connectors	RBWC Series	87
Bronze Parallel Vise Connectors	VC-80XX Series	88

Pedestal Connectors.....	PC371105 Series.....	89
Acorn Ground Clamps.....	ACRN Series.....	90
Neutral-Span Clamps.....	R07-1285 Series.....	91
Fiber Optic Clamp.....	RFB Series.....	92
Fiber Optic Offset Bracket.....	RFB Series.....	93
Aluminum Bolted Wedge Connector.....	ABWC Series.....	94

- Made of high-strength silicon bronze
- Accepts a range of conductors
- RUS Approved



PART NUMBER*	CLAMPS 2 CABLES TOGETHER: THIS SIZE CABLE COMBINED WITH ANY CABLE LESS THAN OR EQUAL IN DIAMETER	DIMENSIONS IN INCHES			BOLT HEAD SIZE
		A	B	C	
VC3	6 Solid or 8 Stranded	7/8	5/8	3/4	3/8 (Slot)
VC5	4 Solid or Stranded	1-1/8	3/4	13/16	9/16
VC7	2 Solid or 3 Stranded	1-3/8	13/16	15/16	9/16
VC10	1 Solid or 2 Stranded	1-5/8	13/16	1	9/16
VC10S	3/0 Solid or 2/0 Stranded	2	7/8	1-1/4	9/16
VC12	4/0 Solid or Stranded	2-1/8	1	1-3/8	9/16
VC15	350 Stranded	3	1-1/4	1-3/4	3/4
VC18	500 Stranded	3-1/2	1-3/8	2	3/4

FOR OTHER SIZES, CONTACT YOUR SALES REPRESENTATIVE OR THE FACTORY.

* For tin plated connectors, add "-P" to the part number. For a shear head bolt, add "-SH" to the part number. For a washer under the bolt, add "-W" to the part number.

- Designed to be used for distribution service connections with hot sticks
- Eyebolts are made from forged stainless steel
- Eyelets and keepers are made from aluminum bronze
- Bodies are made from high-strength aluminum
- Wide jaws provide a greater surface contact, reducing twisting of the conductor during installation
- Spring-loaded with a sturdy steel spring to compensate for temperature changes

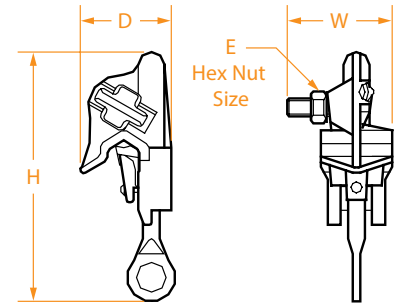


Figure 2

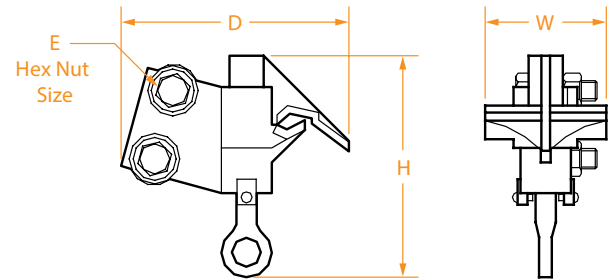


Figure 2



AHLC-2000

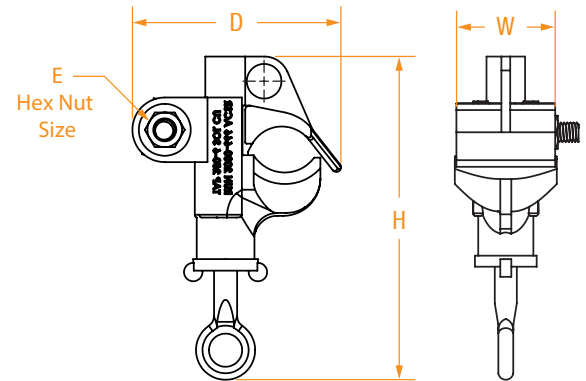


Figure 3

PART NUMBER*	FIGURE	WIRE SIZE - RUN		WIRE SIZE - TAP		DIMENSIONS IN INCHES			
		MIN.	MAX.	MIN.	MAX.	H	D	W	E***
AHLC-100-TN	1	#8	2/0	#8	2/0	5	2-3/4	2	9/16"
AHLC-300-TN**	1	#6	400	#6	4/0	6	2-1/4	1-3/4	11/16"
AHLC-18-9	2	1/0	500	two-hole NEMA Spade		6-1/2	4-1/2	3	3/4"
AHLC-700-TN	1	#4 Str	800	#4 Sol	300	7	3	3	3/4"
AHLC-2000	3	666 ACSR	2000 ACSR	#6 Sol Cu	250	7	4-5/16	2-1/2	11/16"

FOR OTHER SIZES, CONTACT YOUR SALES REPRESENTATIVE OR THE FACTORY.

* For tin plated connectors, add "-TN" to the part number. For pre-applied inhibitor in the clamp's jaws (individually bagged) add "-IB" to the part number.

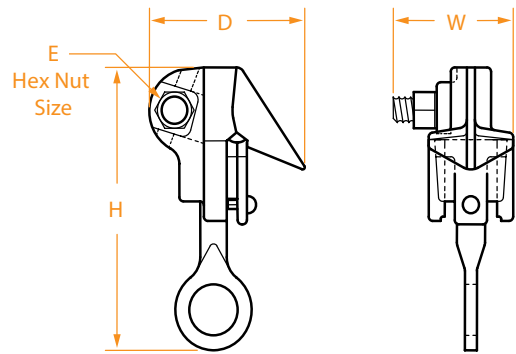
** For 3/4" eyelet nut add "-3/4" to the part number.

*** Hex dimension is flat to flat.

BRONZE HOT-LINE CLAMPS

BHLC Series

- Designed to be used for distribution service connections with hot sticks
- Bodies are made from silicon bronze
- Eyebolts are made from forged stainless steel
- Eyelets and keepers are made from aluminum bronze
- Wide jaws provide a greater area of surface contact reducing twisting of the conductor during installation
- Spring-loaded with a sturdy steel spring to compensate for temperature change



PART NUMBER*	WIRE SIZE - RUN		WIRE SIZE - TAP		DIMENSIONS IN INCHES			
	MIN.	MAX.	MIN.	MAX.	H	D	W	E***
BHLC-100	#8	2/0	#8	2/0	4	2-3/4	2	9/16"
BHLC-100-LI	#8	2/0	#8	2/0	5-1/8	2-3/4	2	9/16"
BHLC-101	#6	400	#6	4/0	5-3/4	3-5/8	2-3/8	9/16"
BHLC-102	#6	400	2/0 - 300 (U-Bolt Tap)		5-3/4	4-1/2	2-3/4	9/16"
BHLC-201	#4	2/0	#6	2/0	3-7/8	4-1/2	1-7/8	9/16"
BHLC-300	#6	400	#6	4/0	6-1/2	2-1/2	2-1/2	11/16"
BHLC-400	#6	400	two-hole NEMA Spade		6-3/8	4-1/2	2-3/8	3/4"
BHLC-401	#6	400	two-hole NEMA Spade		5-1/4	4-5/8	1-7/8	3/4"



NOW AVAILABLE

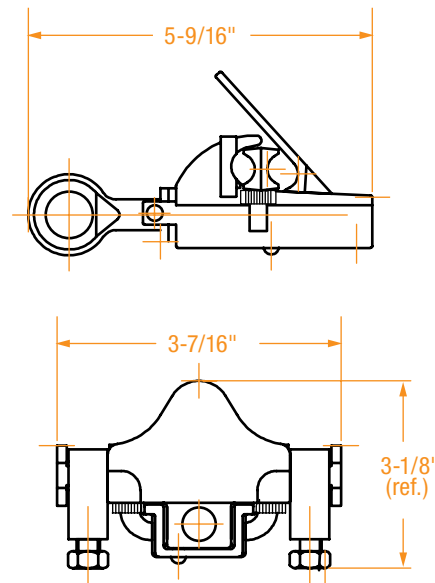
BHLC-100 is now available with extended tongue which facilitates landing the clamp onto the overhead conductor. To order, use part number BHLC-100-XT.

* For tin plated connectors, add "-TN" to the part number. For pre-applied inhibitor in the clamp's jaws (individually bagged) add "-IB" to the part number.
 ** For 3/4" eyelet nut add "-3/4" to the part number.
 *** Hex dimension is flat to flat.

- A full duty connector designed to replace the function of hot-line taps in heavily loaded applications
- Acorn clamps allow secure taps to exit from either side
- Clamp is made of high-strength aluminum
- Center piece is made from soft, high-conductive pure aluminum.
- Filled with oxide-inhibiting grease
- Easily installed using a hot stick



AHLC-397



PART NUMBER	WIRE SIZE - RUN		WIRE SIZE - TAP	
	Min	Max	Min	Max
AHLC-397	3/0 ACSR / 4/0 Str. Al	336,400 ACSR / 397,500 Al	3/0 ACSR / 4/0 Str. Al	336,400 ACSR / 397,500 Al

- Taps overhead for connection to customer
- Easily installed on energized or de-energized cables
- Designed to withstand vibrations
- Low torque provides high pressure on conductor



APC with cover

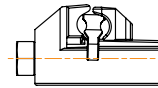
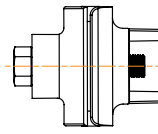


Figure 1

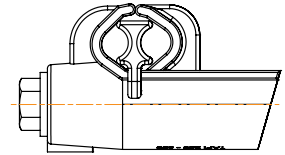
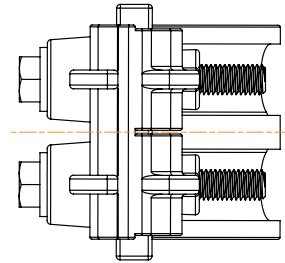
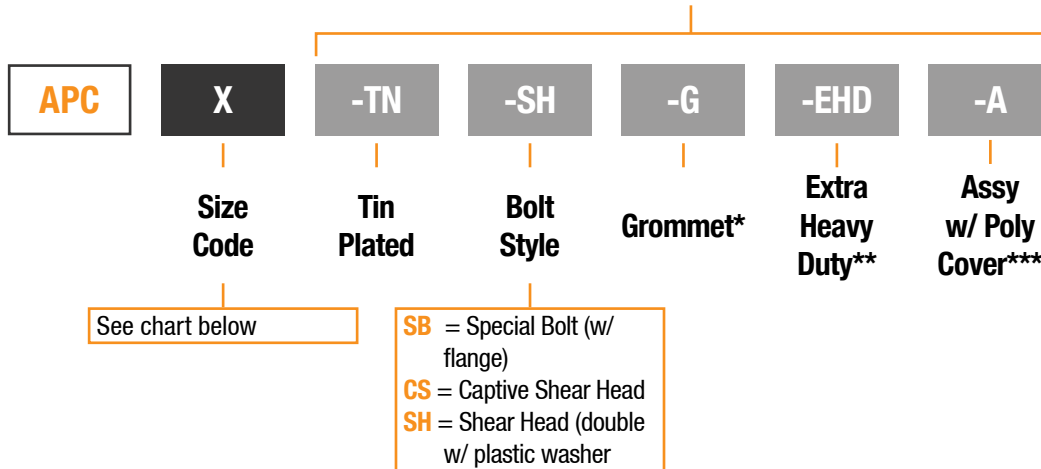


Figure 2

Part Number Selection

Optional Ad-ons

(omit any suffix not needed and maintain order shown below when building part number)



X	FIGURE	WIRE SIZE - RUN		WIRE SIZE - TAP		SNAP-ON COVER*
		ACSR	AL	ACSR	AL or CU	
5	1	#4-#6 ACSR	#2 SOL.-#8 SOL. AL	#4-#6 ACSR	#2 SOL.-#8 SOL. AL/CU	APCC-1
7	1	#6-#2 ACSR	#6 SOL.-#1 STR. AL	#6-#2 ACSR	#12 SOL.-#1 STR. AL/CU	APCC-1
10	1	#6-1/0 ACSR	#6 SOL.-2/0 STR. AL	#6-1/0 ACSR	#6 SOL.-2/0 STR. AL/CU	APCC-1
11	1	#2-4/0 ACSR	#1 STR.-4/0 STR. AL	#2-4/0 ACSR	#1 STR.-4/0 STR. AL/CU	APCC-2
12	1	#2-4/0 ACSR	#1 STR.-4/0 STR. AL	#6-2/0 ACSR	#6 SOL.-2/0 STR. AL/CU	APCC-2
132	1	4/0-666,000 ACSR	266,800-800,000 AL	#2-4/0 ACSR	#1 STR.-4/0 AL/CU	APCC-2
13	1	4/0-666,000 ACSR	266,800-800,000 AL	#6-2/0 ACSR	#6 SOL.-2/0 STR. AL/CU	APCC-2
14	1	3/0-336,400 ACSR	4/0-397,500 STR. AL	#6-4/0 ACSR	#6 SOL.-266,800 STR. AL/CU	APCC-2
15	1	3/0-336,400 ACSR	4/0-397,500 STR. AL	3/0-336,400 ACSR	4/0-397,500 STR. AL/CU	APCC-2
17	2	4/0-477,000 ACSR	250,000-600,000 AL	4/0-477,000 ACSR	250,000-600,000 AL/CU	—
18	2	336,400-795,000 ACSR	477,000-800,000 AL	336,400-795,000 ACSR	477,000-800,000 AL/CU	—

* Grommets provide grip between the APC body and center keeper, preventing the keeper from unrestricted sliding and facilitating insertion of wires.
 ** Class AA ANSI-C119.4 Rating.
 *** Cover can be ordered assembled with APC (by adding "-A" to the part number) or ordered separately (by using the part number in the "Snap-On Cover" column).

ALUMINUM & BRONZE STIRRUP CONNECTORS

ASC & BSC Series

- ASC connector has a pure aluminum body and pure copper bail
- BSC connector has a bronze body and pure copper bail
- Bail is knurled prior to insertion into aluminum connector to prevent pull-out

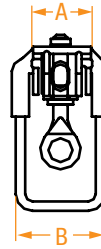
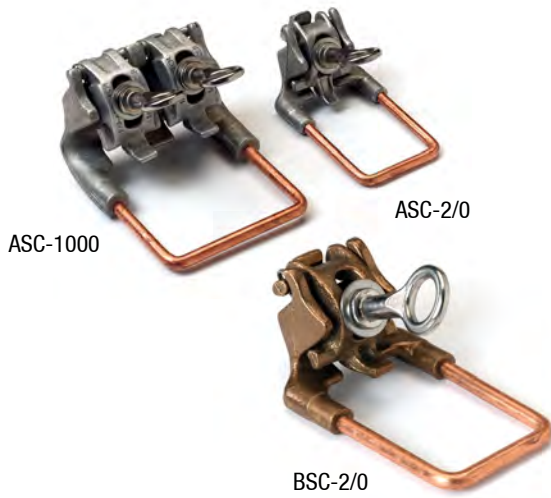


Figure 1

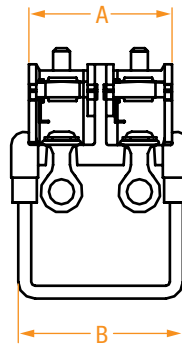
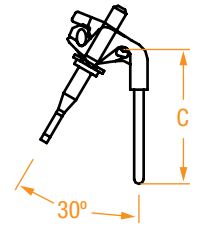
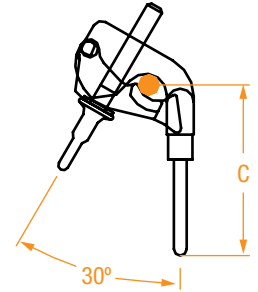


Figure 2



PART NUMBER*	WIRE SIZE	# OF EYEBOLTS	DIMENSIONS IN INCHES			BAIL DIA.
			A	B	C	
ASC-2/0**	AAC: #6 Sol. – 2/0 ACSR : #8 – 2/0	1	1-13/16	2-5/8	4-1/8	.289"
BSC-2/0***	#6 Sol. – 2/0 Cu #8 – 2/0 Cu	1	1-7/8	2-5/8	4-1/4	.289"
ASC-500**	AAC: 1/0 – 500 MCM ACSR: 1/0 – 397.5 MCM	2	4	4-3/8	4-13/16	.332"
ASC-1000**	AAC: 350 – 1000 MCM ACSR: 336.4 – 954 MCM	2	4-1/4	4-13/16	5-1/8	.385"

DISTRIBUTION EQUIPMENT

* For tin plated bails, add "-TN" to the part number.

** ASC-2/0, ASC-500 and ASC-1000 come with inhibitor applied to the clamp and individually bagged.

*** BSC-2/0 is not greased or bagged. Please add "-I" for inhibitor, "-B" for individually bagged or "-IB" for both.

- Connector has a pure A356T6 aluminum body and pure copper bail
- Bail is knurled prior to insertion into aluminum connector to prevent pull-out
- Bail is tin-plated for better electrical connection

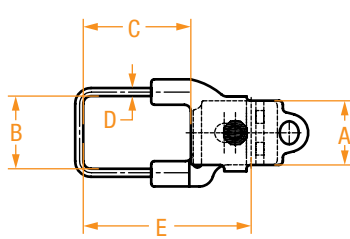


Figure 1

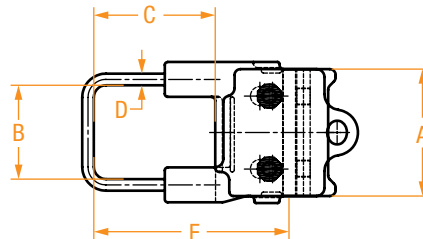


Figure 2

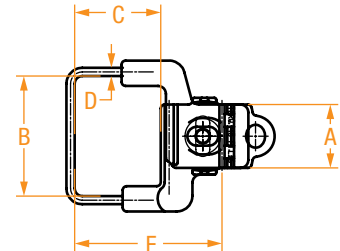


Figure 3

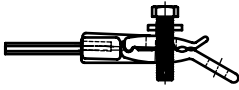


Figure 4

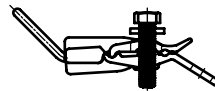


Figure 5

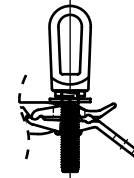


Figure 6

PART NUMBER*	FIGURE	WIRE SIZE		DIMENSIONS IN INCHES				
		AAC	ACSR	A	B	C	D	E
BCASC2/0	1&4	4-2/0 (.232" - .414")	6-2/0 (.198" - .447")	2	2-1/4	3-3/8	#2 Cu	5-5/16
BCASC2/0-E-W	3&4	4-2/0 (.232" - .414")	6-2/0 (.198" - .447")	2	2-1/4	3-3/8	#2 Cu	5-5/16
BCASC2/0-E-45	1&5	4-2/0 (.232" - .414")	6-2/0 (.198" - .447")	2	2-1/4	3-1/8	#2 Cu	4-7/8
BCASC2/0-W	3&4	4-2/0 (.232" - .414")	6-2/0 (.198" - .447")	2	3-3/4	3-3/8	#2 Cu	5-5/16
BCASC2/0-W-45	3&5	4-2/0 (.232" - .414")	6-2/0 (.198" - .447")	2	3-3/4	3-1/8	#2 Cu	4-7/8
BCASC2/0-45	1&5	4-2/0 (.232" - .414")	6-2/0 (.198" - .447")	2	3-3/4	3-1/8	#2 Cu	4-7/8
BCASC2/0-E-W-45	3&5	4-2/0 (.232" - .414")	6-2/0 (.198" - .447")	2	3-3/4	3-1/8	#2 Cu	4-7/8
BCASC397	2&4	2/0-477 (.414" - .795")	1/0-477 18/1 (.398" - .814")	4	3-1/8	4-1/4	2/0 Cu	6-1/8
BCASC397-45	2&5	2/0-477 (.414" - .795")	1/0-477 18/1 (.398" - .814")	4	3-1/8	4-1/4	2/0 Cu	6-1/8
BCASC397-E-45	2&5	2/0-477 (.414" - .795")	1/0-477 18/1 (.398" - .814")	4	3-1/8	4	2/0 Cu	5-3/4
BCASC397-L	2&4	2/0-477 (.414" - .795")	1/0-477 18/1 (.398" - .814")	4	3-1/8	4-1/8	1/0 Cu	6-1/8
BCASC397-E-45-L	2&5	2/0-477 (.414" - .795")	1/0-477 18/1 (.398" - .814")	4	3-1/8	3-7/8	1/0 Cu	5-3/4

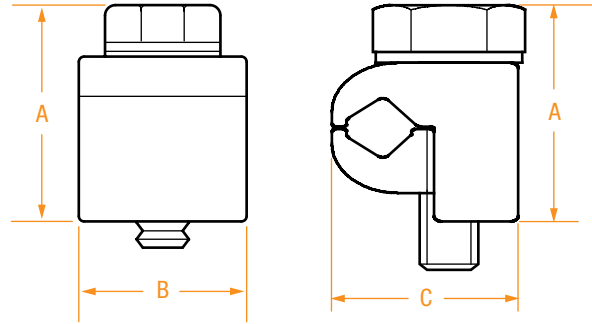
* The following is a key for part number suffixes:

E=Eye Bolt
(See figure 6)

W=Wide Bail
(See figures 2 & 3)

45=45° Bail
(See figure 5)

- Made of high-strength silicon bronze
- Accepts a range of conductors



PART NUMBER*	CLAMPS 2 CABLES TOGETHER: THIS SIZE CABLE COMBINED WITH ANY CABLE LESS THAN OR EQUAL IN DIAMETER	DIMENSIONS IN INCHES			BOLT HEAD SIZE
		A	B	C	
VC3-H	#6	15/16	9/16	5/8	3/8 Slotted
VC5-H	#2	1-1/8	11/16	13/16	9/16
VC7-H	1/0	1-1/2	13/16	1-1/16	9/16
VC10S-H	2/0	1-5/8	1	1-1/8	9/16
VC12-H	4/0	1-3/4	1	1-7/16	9/16

FOR OTHER SIZES, CONTACT YOUR SALES REPRESENTATIVE OR THE FACTORY.

* For tin plated, add "-P" to the part number. For a shear head bolt, add "-SH" to the part number.

- Used for grounding connections on distribution transformer tanks.
- Recommended for copper ground conductors
- Made of high-strength silicon bronze
- Provided with standard 1/2 - 13 thread studs with a 9/16" bolt head



RTG512



RTG512F

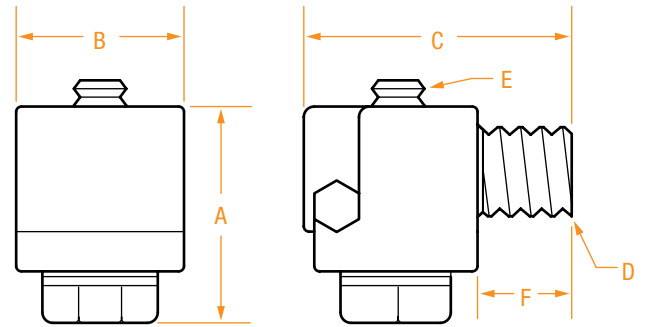


Figure 1

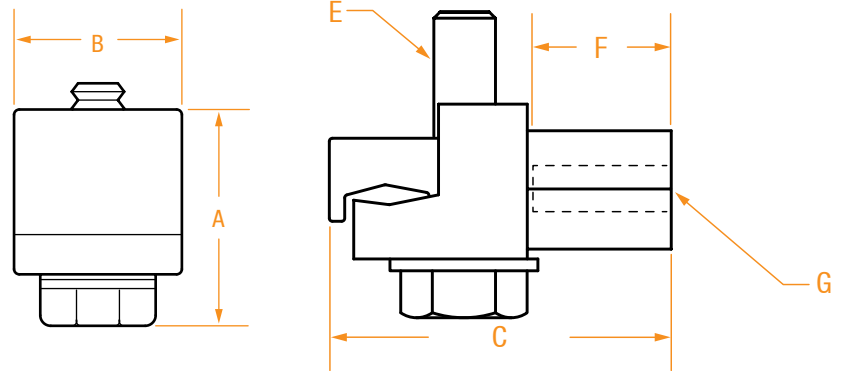


Figure 2

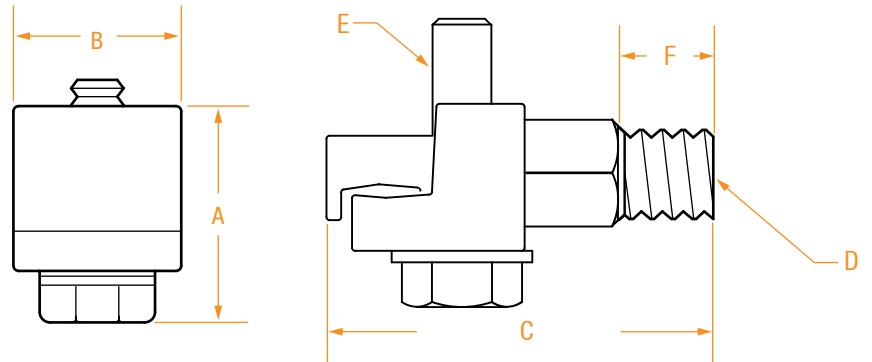


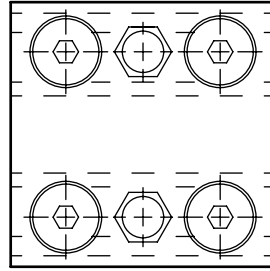
Figure 3

PART NUMBER*	CONDUCTOR RANGE	FIGURE #	DIMENSIONS IN INCHES							BOLT HEAD SIZE
			A	B	C	D	E	F	G	
RTG512	6 Sol. to 1/0	1	1-1/4	3/4	1-3/8	1/2-13	5/16	1/2	—	1/2
RTG512-XL	6 Sol. to 1/0	1	1-1/4	3/4	2-3/16	1/2-13	5/16	1-1/16	—	9/16
RTG512-F	6 Sol. to 1/0	2	7/8	7/8	1-11/16	—	5/16	1/2	Threaded hole 5/16 -18	9/16
RTG512-F-3/8	6 Sol. to 1/0	2	7/8	7/8	1-11/16	—	5/16	3/4	Threaded hole 3/8 -16	9/16
RTG512-M	6 Sol. to 1/0	3	1	13/16	2-1/8	1/2-13	5/16	1/2	—	9/16

FOR OTHER SIZES, CONTACT YOUR SALES REPRESENTATIVE OR THE FACTORY.

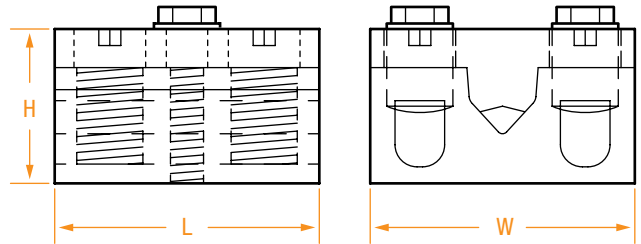
* For plated connectors, add "-TN" to the part number.
 ** Note: All RTG designs are available with eyebolt shown in Figure 4. To order add "E" to the part number.

- Designed for multiple service connections
- Provides a compact, readily accessible, reliable secondary connection
- Allows for one main run and four service drop connections
- Each service drop is individually connected, which allows easy installation and removal
- The body is made of high-strength aluminum
- Cable ports are prefilled with an oxide-inhibiting compound
- For use with copper or aluminum conductor



Cover:

- The cover is designed to protect the connector from contact with other phases
- Holes for the service drops are precut to allow installation and removal of each service without having to remove the cover
- Contains UV stabilizers



RSD262

PART NUMBER	WIRE SIZE		DIMENSIONS IN INCHES		
	RUN	TAP	L	W	H
RSD262*	2 Str. – 350 MCM	#4 Sol. – 3/0 Str.	3-1/16	2-7/8	1-3/4
RSD262C	2 Str. – 350 MCM	#4 Sol. – 3/0 Str.	3-15/16	3-9/16	3

RSD262C IS THE COVER FOR THE RSD262 CONNECTOR

* Comes with the black cover RSD262C.

- Mid-span clamps are designed for use on bare cable and triplex secondaries for single or multiple service connections away from the pole
- Fabricated from high-strength, high-conductivity aluminum
- Features a four-tap connection block and an aluminum base with side loop that attach to service dead ends
- Cable ports are pre-filled with an oxide-inhibiting compound
- The service tap block enables the joining of one through four cables
- Each cable is held by a separate bolt allowing for easy installation and removal
- High-strength washer bolts are used to secure the neutrals
- These bolts are anodized to prevent the aluminum from galling when installing and removing cables
- Plastic cover contains UV stabilizers

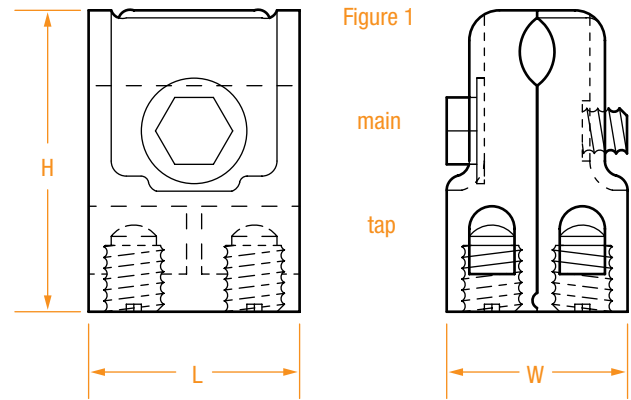


Figure 1

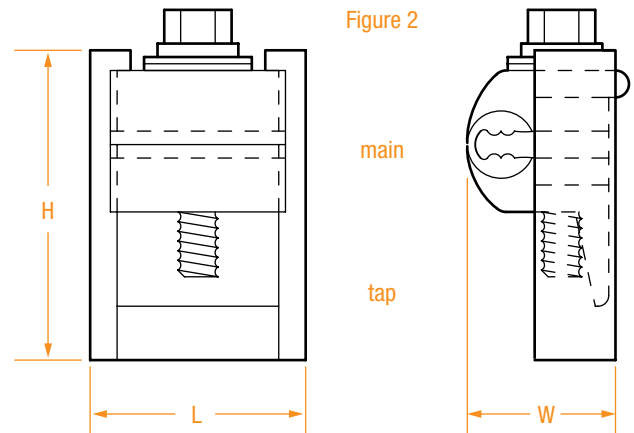
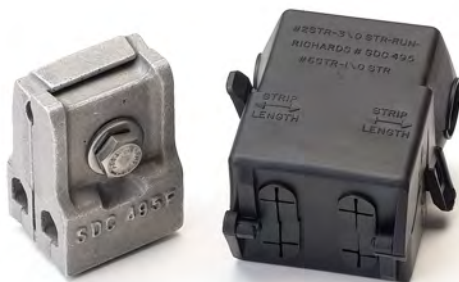


Figure 2



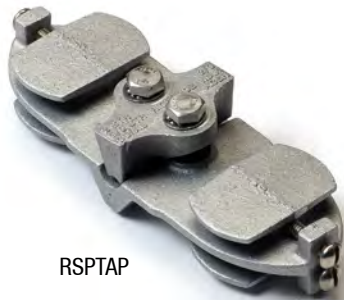
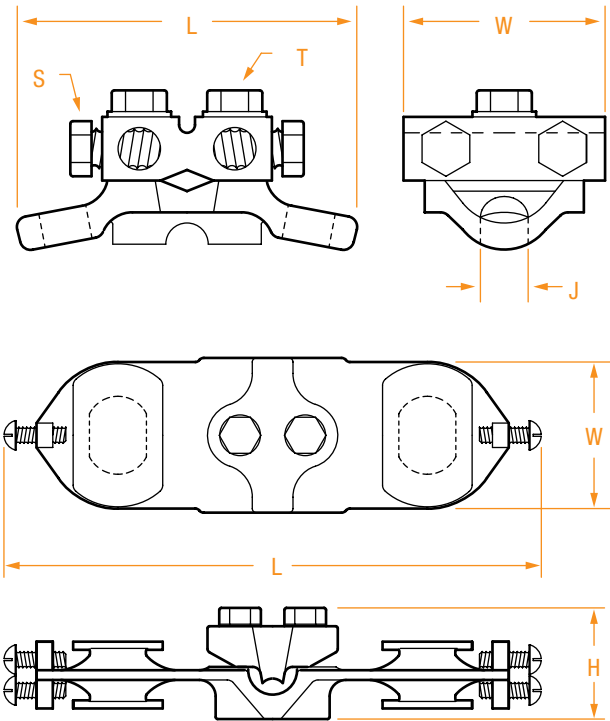
SDC495



SEC3-12

PART NUMBER	WIRE SIZE		FIG.	DIMENSIONS IN INCHES		
	MAIN	TAP		L	W	H
SDC495	#2 Str. – 3/0 Str.	#6 – 1/0 Str.	1	2	1-9/16	2-7/8
SEC3-12	#6 Sol. Cu – 2/0 Str. #6 Str. Al – 4/0 Str. Al	#6 Sol. Cu – 2/0 Str. #6 Str. Al – 4/0 Str. Al	2	1-3/4	1-1/2	2-1/2

- The RICHARDS NSC-547 and RSPTAP use an aluminum connector block with four taps to join neutrals from one through four services
- Designed for neutral dead-end connections
- High-strength aluminum washer head bolts are used to provide easy installations on bare wire or triplex secondary neutrals away from the pole
- Side loops allow service dead ends to be attached at any angle
- Each service is individually connected, which provides easy removal and installation
- When installed on triplex secondaries, the fitted grooves protect the covered phase wires
- Each cable port is pre-filled with an oxide-inhibiting compound



RSPTAP



NSC-547

PART NUMBER	WIRE SIZE				DIMENSIONS IN INCHES					
	RUN		TAP		H	J	L	W	T	S
	Min	Max	Min	Max						
NSC-547	#4	4/0	#6	2/0	2-1/4	5/8	4-1/8	2-7/8	3/8	1/2
RSPTAP	—	—	—	—	1-1/2	—	8-1/8	2-3/8	—	—

- Stirrups allow the attachment of hot-line clamps and grounding connectors to different system components (all figures)
- Stirrup holes are spaced such that they will be accepted on standard NEMA pads (figure 1 only)
- The flange on the end of the stirrup prevents any clamps from sliding off during installation (figure 1 only)

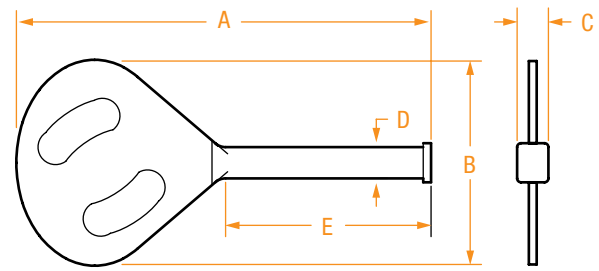


Figure 1

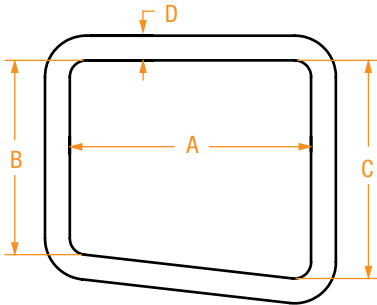


Figure 2

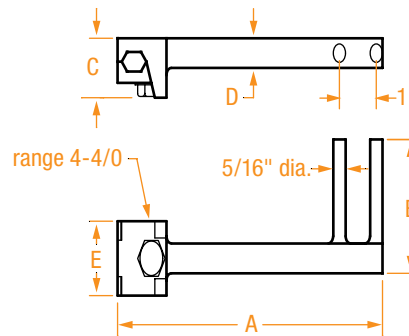
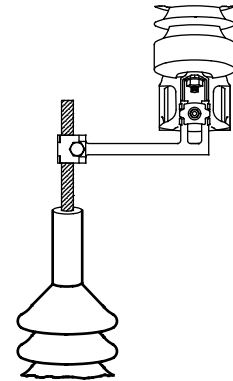


Figure 3



PART NUMBER	FIGURE	DIMENSIONS IN INCHES				
		A	B	C	D	E
RST-275*	1	7	3-1/2	1-1/4	3/4	3-1/4
R124214**	2	4-1/4	3-3/8	4-1/8	0.460 (4/0)	N/A
RST-356***	3	7	2-1/4	1-1/2	1/2	1-1/4

* RST-275 is made of high-strength cast aluminum.
 ** R124214 is made of high-conductivity copper rod.
 *** RST-356 is made of cast bronze.

- Designed to be used for distribution service connections with standard hot sticks
- Bail size ranges from #1 to 4/0 solid
- The body is made of high-strength aluminum
- Large area of compression between the aluminum body and the bail makes an extremely reliable connection
- The wide jaws provide a greater area of surface contact, reducing twisting of the conductor during installation
- Jaws are pre-coated with an oxide-inhibiting compound

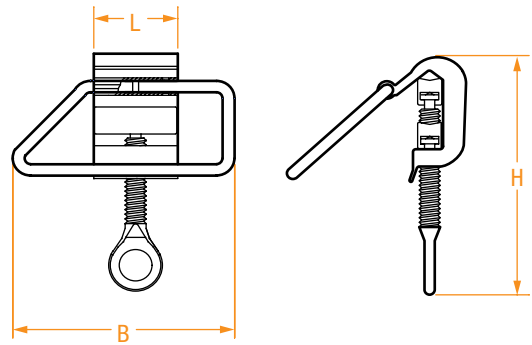
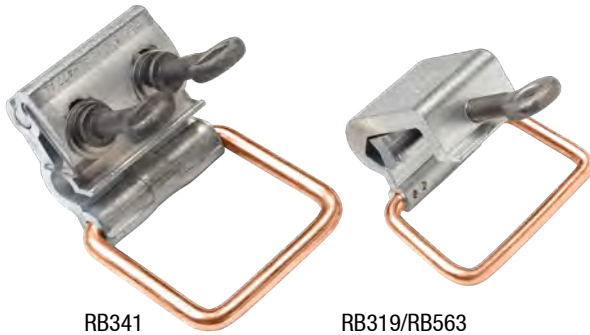


Figure 1

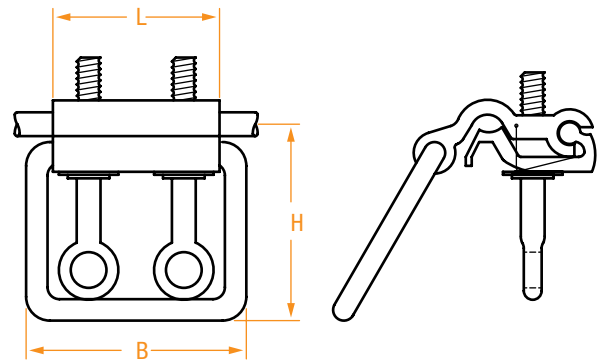
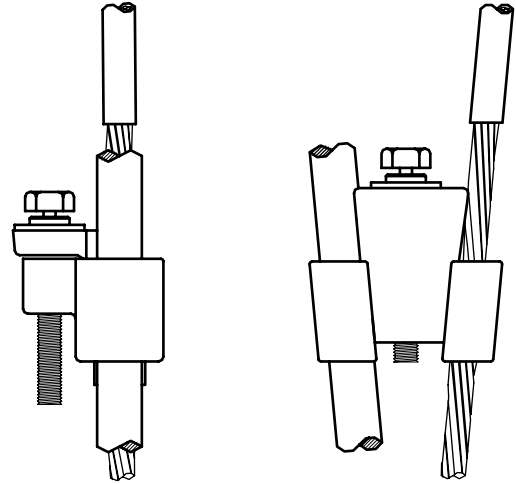


Figure 2

PART NUMBER*	FIGURE	WIRE SIZE		BAIL SIZE	DIMENSIONS IN INCHES		
		MIN.	MAX.		L	B	H
RB563-NTN	1	#4	4/0	#1	1-3/4	4-1/2	4-1/2
RB319-NTN	1	1/0	477	1/0	2-1/2	5	4-1/2
RB341-NTN	2	1/0 Al	477 Al	4/0 Cu	3-1/2	4-5/8	5

* "-NTN" indicates a non-tin plated bail. For tin plated bail contact the factory. Add -SS for stainless steel eyebolt.

- Made of high-strength silicon bronze
- Wedge design keeps constant compression
- Shear-head bolt ensures proper torque
- Forces in excess of 4,000 lbs. on each cable or ground rod



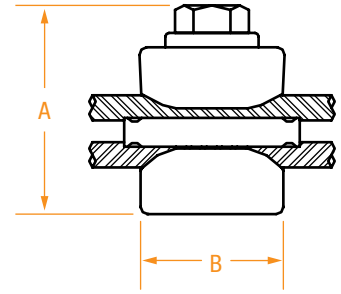
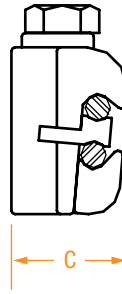
PART NUMBER	WIRE SIZE		BOLT	BOLT HEAD
	MIN	MAX		
RBWC-L-9-7	#2	1/0	5/16	9/16
RBWC-L-9-5	#4	1/0	5/16	9/16
RBWC-L-9	1/0	1/0	5/16	9/16
RBWC-M-5/8-7	#2	5/8" Ground Rod	5/16	9/16
RBWC-M-5/8-9	1/0	5/8" Ground Rod	5/16	9/16

FOR OTHER SIZES, CONTACT YOUR SALES REPRESENTATIVE OR THE FACTORY.

BRONZE PARALLEL VISE CONNECTORS

VC-80XX Series

- Made of high-strength silicon bronze
- Accepts a range of conductors
- Size overlapping allows for smaller inventory requirements
- Interlocking design provides resistance to vibration loosening
- Spacer provides additional contact area for lower resistance



VC-8020-G



VC-8020-P



VC-8058-SH

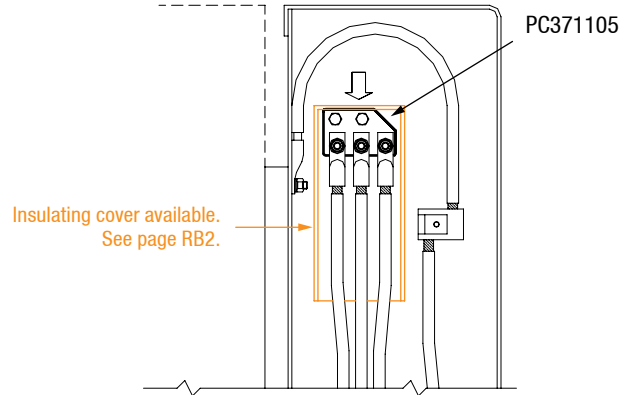
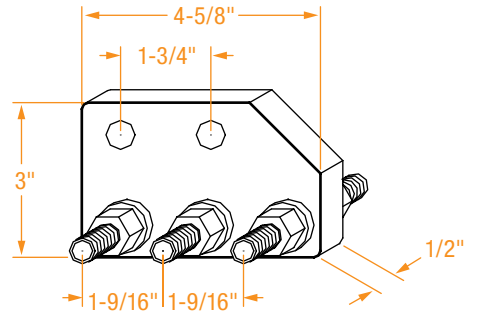
PART NUMBER*	WIRE SIZE		DIMENSIONS IN INCHES			BOLT	BOLT HEAD
	MIN	MAX	A	B	C		
VC-8002	#8	#2 Sol	1-3/16	1	3/4	5/16	9/16
VC-8010	#8	#1	1-7/16	1	1	5/16	9/16
VC-8020	#8	2/0 Str/ 3/0 Sol	1-9/16	1	1	5/16	9/16
VC-8058-SH	#6 - #2	5/8 Ground Rod	2-1/4	1-3/16	1-3/16	3/8	9/16

FOR OTHER SIZES, CONTACT YOUR SALES REPRESENTATIVE OR THE FACTORY.

DISTRIBUTION EQUIPMENT

* For tin-plated connectors, add "-P" to the part number. For a shear-head bolt, add "-SH" to the part number. For a rubber grommet on the spacer, add "-G" to the part number.

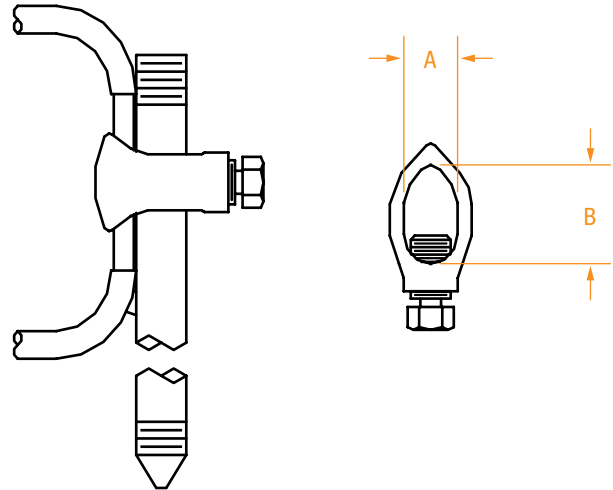
- Plate is tin-plated aluminum
- Stainless steel studs
- Zinc dichromate-plated washer nuts



PART NUMBER	STUD SIZE
PC371105	1/2"

FOR OTHER SIZES, CONTACT YOUR SALES REPRESENTATIVE OR THE FACTORY.

- Used for grounding copper conductor to copper ground
- Made from bronze alloy



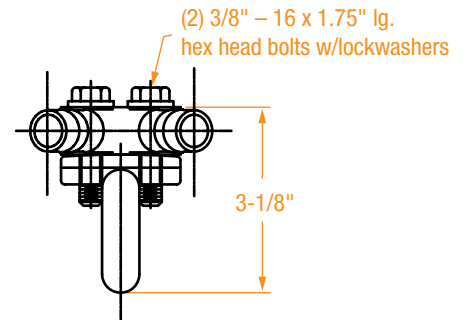
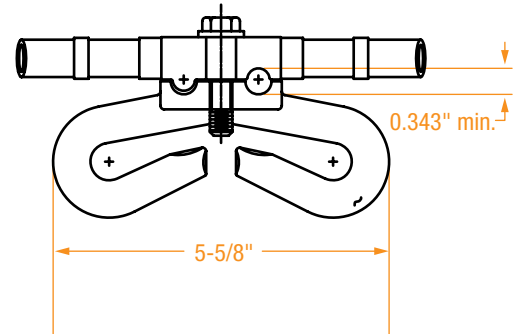
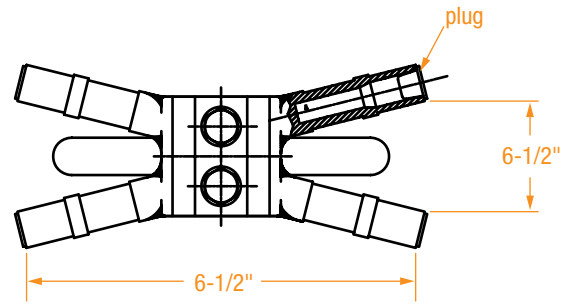
PART NUMBER	WIRE SIZE	ROD SIZE	DIMENSIONS IN INCHES	
			A	B
ACRN-5/8*	#8-1/0	5/8"	11/16	1-1/16
ACRN-5/8-CPS	#2-14	5/8"	5/8	1-1/16

* For a shear-head bolt, add "-SH" to the part number.

NEUTRAL-SPAN CLAMPS

R07-1285 Series

- Used for mid-span taps
- Made of high-strength aluminum
- Filled with oxide-inhibiting grease



PART NUMBER	HEIGHT
R07-1285	3-1/8"

FOR OTHER SIZES, CONTACT YOUR SALES REPRESENTATIVE OR THE FACTORY.

DISTRIBUTION EQUIPMENT

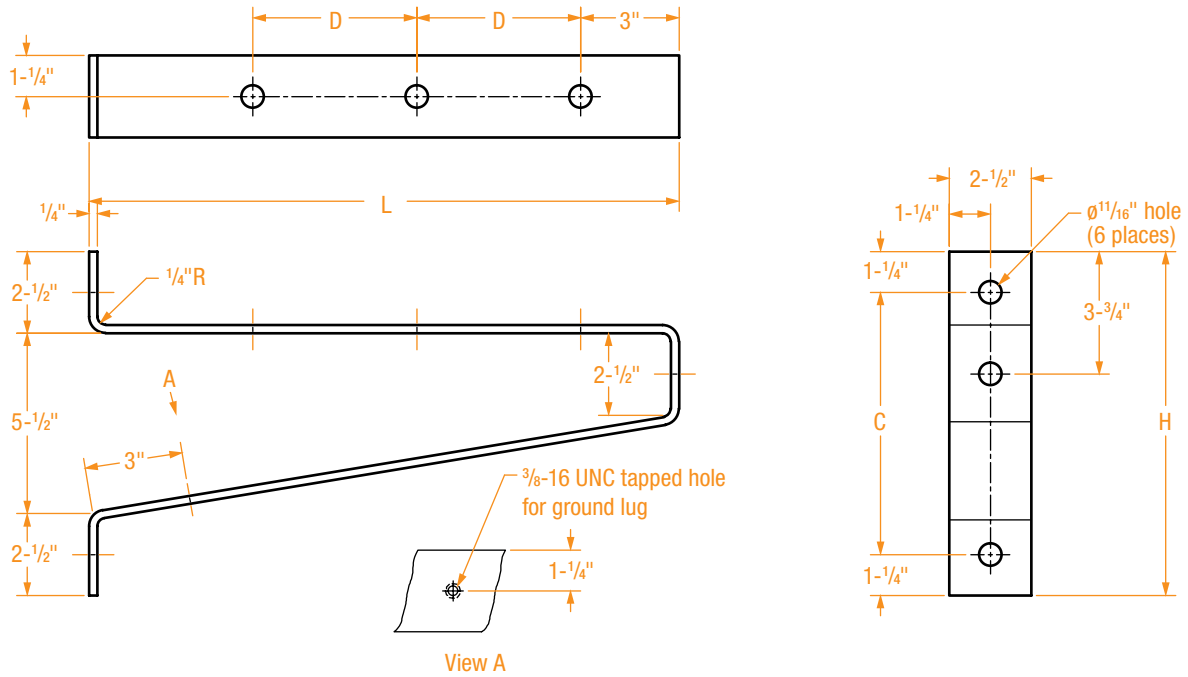
- Unit clamps onto fiber optic cable
- Rubber “O” ring keeps bolt captive to bracket
- EPDM Rubber insert withstands the toughest environmental conditions, including extreme temperature fluctuations and ozone exposure
- Multiple insert sizes are offered to house a variety of cable diameters
- Offset bracket is available to attach and offset fiber optic bracket
- Body constructed from high strength Aluminum



PART NUMBER FOR CLAMP AND INSERT	CABLE RANGE IN INCHES	PART NUMBER FOR CLAMP ONLY	PART NUMBER FOR INSERT ONLY
RAFOB-6045	0.426 – 0.475	RAFOB	FORS-6045
RAFOB-6050	0.476 – 0.525	RAFOB	FORS-6050
RAFOB-6055	0.526 – 0.575	RAFOB	FORS-6055
RAFOB-6065	0.626 – 0.675	RAFOB	FORS-6065
RAFOB-6080	0.776 – 0.825	RAFOB	FORS-6080
RAFOB-6085	0.826 – 0.875	RAFOB	FORS-6085
RAFOB-6100	0.976 – 1.025	RAFOB	FORS-6100

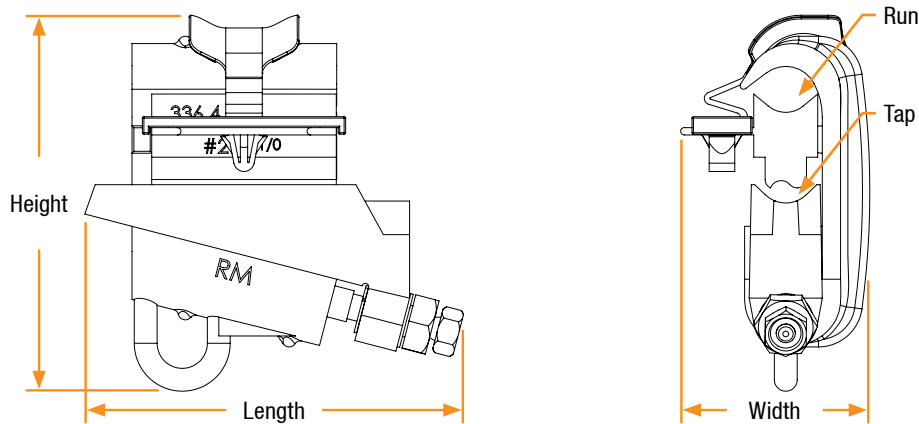
FOR OTHER SIZES, PLEASE CONTACT YOUR SALES REPRESENTATIVE OR THE FACTORY

- Designed to offset Richards Fiber Optic Bracket from pole
- Fabricated from steel for high-strength and durability
- Available in two sizes for different offset lengths



PART NUMBER	DIMENSIONS IN INCHES			
	L	D	C	H
RFB1	12	3	8	10-1/2
RFB2	18	5	8	10-1/2

- Provides a quick dependable method for connecting a tap to a main overhead conductor
- Range Taking design — Each available wedge size accommodates a range of conductors
- Innovative clip design captures interface so tap conductor can be inserted without struggle or risk of dropping components
- Eliminates need for ballistic tooling which can be unreliable and difficult to use/ maintain
- Shear Bolt simplifies installation — simply torque to shear and guarantee the required installation torque has been reached
- Shear head engineered with rivet to spin freely once sheared without coming free — eliminates risk of metal hex head falling down from bucket after shear
- Secondary Hex Head remains after in case assembly needs to be untightened
- RUS Approved



PART NUMBER*	RUN CONDUCTOR	RUN DIA. RANGE	TAP CONDUCTOR	TAP DIA. RANGE
ABWC00410	#4, #2, #1 AAC	0.232" - 0.328"	#6, #4 SOLID	0.162" - 0.231"
ABWC00430	#4, #2, #1 AAC	0.232" - 0.328"	#2, #1 AAC	0.292" - 0.328"
ABWC02010	#1 ACSR 1/0 2/0 AAC	.354 - .414"	#6 ACSR, #4 AAC	0.198" - 0.231"
ABWC02020	#1 ACSR 1/0 2/0 AAC	.354 - .414"	#4 AAC, #2, #1 AAC	0.232" - 0.353"
ABWC02030	#1 ACSR 1/0 2/0 AAC	.354 - .414"	#1 ACSR, 1/0, 2/0 AAC	.354 - .414"
ABWC25010	3/0 ACSR, 4/0, 250 AAC	0.502" - 0.574"	#6 ACSR, #4 AAC	0.198" - 0.249"
ABWC25020	3/0 ACSR, 4/0, 250 AAC	0.502" - 0.574"	#4 ACSR, #2, #1 AAC	0.250" - 0.353"
ABWC25030	3/0 ACSR, 4/0, 250 AAC	0.502" - 0.574"	#1 ACSR, 1/0, 2/0 AAC	0.354" - 0.446"
ABWC25040	3/0 ACSR, 4/0, 250 AAC	0.502" - 0.574"	2/0 ACSR, 3/0	0.447" - 0.521"
ABWC25050	3/0 ACSR, 4/0, 250 AAC	0.502" - 0.574"	4/0, 250 AAC	0.522" - 0.574"
ABWC30010	266.8 ACSR, 300 MCM, 336.4 AAC, 336.4 ACSR 18/1, 350 MCM	0.609" - 0.684"	#6, #4 AAC	0.162" - 0.231"

(continued)

PART NUMBER*	RUN CONDUCTOR	RUN DIA. RANGE	TAP CONDUCTOR	TAP DIA. RANGE
ABWC30020	266.8 ACSR, 300 MCM, 336.4 AAC, 336.4 ACSR 18/1, 350 MCM	0.609" - 0.684"	#4	0.232" - 0.291"
ABWC30070	266.8 ACSR, 300 MCM, 336.4 AAC, 336.4 ACSR 18/1, 350 MCM	0.609" - 0.684"	4/0, 250	0.522" - 0.591"
ABWC30080	266.8 ACSR, 300 MCM, 336.4 AAC, 336.4 ACSR 18/1, 350 MCM	0.609" - 0.684"	266.8 -19 AAC, 300 AAC, 266.8 ACSR	0.592" - 0.664"
ABWC30090	266.8 ACSR, 300 MCM, 336.4 AAC, 336.4 ACSR 18/1, 350 MCM	0.609" - 0.684"	300 ACSR 26/7, 350, 336.4 18/1	0.665" - 0.684"
ABWC35020	336.4, 350 MCM, 397 ACSR 18/1	0.666" - 0.743"	#4 ACSR, #2, 1/0 AAC	0.257" - 0.367"
ABWC35030	336.4, 350 MCM, 397 ACSR 18/1	0.666" - 0.743"	1/0, 2/0, 3/0	0.368" - 0.521"
ABWC35050	336.4, 350 MCM, 397 ACSR 18/1	0.666" - 0.743"	266.8 ACSR 36/7, 336.4, 397.5	0.642" - 0.806"
ABWC50010	397 ACSR 24/7, 450 MCM, 477, 500 MCM, 556.5 AAC	0.769" - 0.858"	#6 AAC, #4, #2	0.184" - 0.316"
ABWC50020	397 ACSR 24/7, 450 MCM, 477, 500 MCM, 556.5 AAC	0.769" - 0.858"	#2, 1/0	0.292" - 0.398"
ABWC50030	397 ACSR 24/7, 450 MCM, 477, 500 MCM, 556.5 AAC	0.769" - 0.858"	1/0 ACSR, 2/0, 3/0 AAC	0.398" - 0.501"
ABWC50040	397 ACSR 24/7, 450 MCM, 477, 500 MCM, 556.5 AAC	0.769" - 0.858"	3/0 ACSR, 4/0, 250, 266.8, 300 AAC	0.502" - 0.627"
ABWC50050	397 ACSR 24/7, 450 MCM, 477, 500 MCM, 556.5 AAC	0.769" - 0.858"	266.8 ACSR 36/7, 300 AAC, 336.4, 397.5 ACSR 24/7	0.628" - 0.772"
ABWC50060	397 ACSR 24/7, 450 MCM, 477, 500 MCM, 556.5 AAC	0.769" - 0.858"	336.4 ACSR 26/7, 397, 477, 500 MCM, 556 AAC	0.720" - 0.858"
ABWC60060	477 ACSR 26/7, 556, 600 MCM, 636 ACSR 18/1, 605 ACSR 24/7	0.856" - 0.953"	397 ACSR 30/7, 477, 500 MCM, 556.5, 636 AAC	0.795" - 0.918"
ABWC75010	636 ACSR, 715, 750 MCM, 795, 900 MCM	0.973" - 1.108"	#6 SOL, #4, #2 AAC	0.162" - 0.315"
ABWC75020	636 ACSR, 715, 750 MCM, 795, 900 MCM	0.973" - 1.108"	#2 ACSR, #1, 1/0, 2/0 AAC	0.316" - 0.446"
ABWC75030	636 ACSR, 715, 750 MCM, 795, 900 MCM	0.973" - 1.108"	2/0 ACSR, 3/0, 4/0, 250 AAC	0.447" - 0.585"

* Available with Extra Heavy Duty thermal rating (ANSI C119.4 Class AA). To order add "-EHD" to part number.

PART NUMBER*	RUN CONDUCTOR	RUN DIA. RANGE	TAP CONDUCTOR	TAP DIA. RANGE
ABWC75040	636 ACSR, 715, 750 MCM, 795, 900 MCM	0.973" - 1.108"	336.4 ACSR 26/7, 450 MCM, 500 MCM, 477, 556.5 AAC	0.720" - 0.878"
ABWC75050	636 ACSR, 715, 750 MCM, 795, 900 MCM	0.973" - 1.108"	477 ACSR 30/7, 556.5 ACSR, 600 MCM, 605 MCM, 636 ACSR 18/1, 715.5 AAC	0.879" - 0.990"
ABWC75060	636 ACSR, 715, 750 MCM, 795, 900 MCM	0.973" - 1.108"	636 ACSR 26/7, 750 MCM, 715, 795, 900 MCM	0.991" - 1.108"

Underground Equipment



Underground Equipment

	Series	Page
Bare Crab Joints For Joining Bare Neutral Cables.....	FJB Series	99
Insulated Crab Joints	FJI Series	100
Fusible Crab Joints – Tower Joints	TWJ Series	101
Tower Joint Accessories – Cable End Caps & Shells	TWJA Series	102
High-Temperature Filler Shell	TWJA Series	102
Tower Joint Accessories – Insulating Sleeves & Caps	TWJS Series	103
Insulating Sleeves For Use With “TWJ” Series Fusible Crab Joints.....	TWJS Series	103
Fusible Crab Joints With Pigtails	CJLP Series.....	104
Crab Joints With Pigtails.....	SJ Series	105
Mole Limiter Assembly	RMLA Series	106
Cable-To-Cable IN-LINE Limiter.....	CCLA Series	107
Cable-To-Cable Limiter Assembly	CCLA Series	108
Cable-To-Cable Limiters	CCL Series.....	109
Two-Piece Cable-To-Cable Limiter Insulating Sleeves.....	LS Series	110
High-Temperature Filler Shell For Cable-To-Cable Limiters	ALS Series.....	110
Cable-to-Cable Current Limiting Fuses	CCLF Series.....	111

Two-Piece Cable-to-Cable Current Limiting Fuse Sleeves.....	CCLF-CCR Series	111
Limiter Lug Assembly	CLLA Series.....	112
Limiter Lugs	CLL Series	113
Limiter Lug Accessories – Insulating Sleeves.....	LLS Series	114
Limiter Lug Accessories – High-Temperature Filler Shells.....	ALLS Series.....	114
Current Limiting Lugs	CLLF Series	115
Ring bus Limiter Lug Assembly.....	CLLA Series.....	116
Network Protector Terminals	NPT Series	117
Network Protector Terminals	NPT Series (continued)	118
Accessories For Network Protector Terminals.....		118
Disconnect Network Protector Terminals	NPT-DISC Series.....	119
Disconnect Legs For Disconnect Network Protector Terminals.....	RDL Series	120
Protector Fuses – Low-Loss “S” Fuse	LLF Series	121
Network Protector Fuses – “Z” Fuse	NPF-Q Series.....	122
Network Protector Fuses – “Y” Fuse	NPF-L Series	123
Network Protector Fuse with Fuse Cover Assembly	FCA	124
Lead Alloy Network Protector Fuses – Laminated Type – Standard Speed.....	Alloy Fuse Series	125
Lead Alloy Network Protector Fuses – Laminated Type – Time Lag	Alloy Fuse Series (continued).....	126
Lead Alloy Network Protector Fuses – Non-Laminated Type (Single Layer).....	NF Series.....	127
Copper Link Fuses.....	NWP Series	128
Copper Braids.....	CB Series	129
Secondary Spades.....	TRSS Series	130
Set Screw Connectors	SSCRW Series	131
Joint Casings.....	JC Series	132
Cable Rack Arms	RA Series	133
Stanchions	RA Series	134
Standard Cable Rack Arms	SCRA Series.....	135
Pigtail Plug	PTP Series.....	136
Lifting Hooks	RLH Series	137
Insulated T-Wrench.....		138

- Used for joining bare underground neutral cables
- Made from pure seamless copper tubing
- Tin-plated to resist corrosion
- Corrugated reducing adapters may be used when smaller cable is required

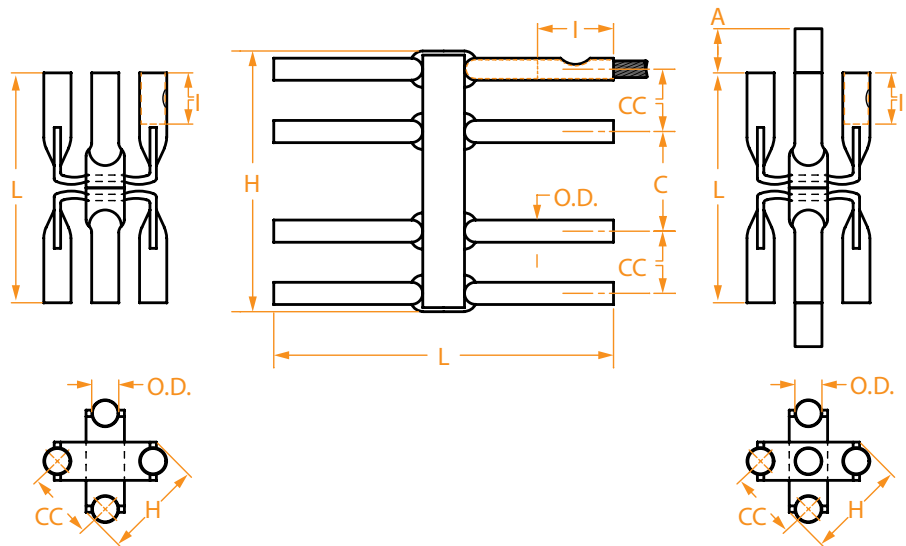


Figure 1

Figure 2

Figure 3

PART NUMBER	WIRE SIZE	FIGURE	# OF OUTLETS	# OF INDENTS	DIMENSIONS IN INCHES						
					I	H	L	C	CC	O.D.	A
FJB4/0-2W	4/0	2	4	1	2.0	3-3/16	6-7/16	—	2-3/16	0.687	—
FJB4/0-3W	4/0	2	6	1	2.0	7-1/16	6-7/16	3-7/8	2-3/16	0.687	—
FJB4/0-4W	4/0	2	8	1	2.0	9-1/4	6-7/16	3-7/8	2-3/16	0.687	—
CJB4/0-4W	4/0	1	8	2	2.0	3-1/2	9	—	2-3/16	0.687	—
CJB350-4W	350	1	8	2	2.5	3-3/4	9	—	2-1/2	0.875	—
FJB500-2W	500	2	4	2	2.5	3-15/16	7-1/2	—	2-1/2	1.062	—
FJB500-3W	500	2	6	2	2.5	8-3/16	7-1/2	3-3/4	2-1/2	1.062	—
FJB500-4W	500	2	8	2	2.5	10-9/16	7-1/2	3-3/4	2-1/2	1.062	—
CJB500-4W	500	1	8	2	2.5	3-3/4	8-3/4	—	2-3/4	1.062	—
CJB500-5W	500	3	10	2	2.5	4	9	—	2-3/4	1.062	2-1/2
CJB750-5W	750	3	10	2	3.5	5	10-1/2	—	3-1/4	1.3	3-3/4

FOR OTHER SIZES, CONTACT YOUR SALES REPRESENTATIVE OR THE FACTORY.

- Provides a means for connecting several cables at one common junction
- Corrugated adapters allow a wide variety of cables to be used
- Made from pure copper
- Tin-plated to resist corrosion
- Installation is done by “rolling back” the insulation over the cable sockets; inserting the cable into the sockets and crimping it. The insulation is then returned to its original position covering the socket.
- Eliminates bulky, time-consuming crotch taping
- Insulated with an EPDM rubber for optimum electrical and mechanical properties

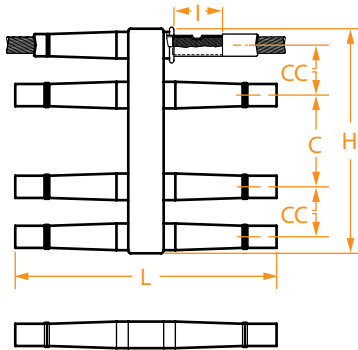


Figure 1

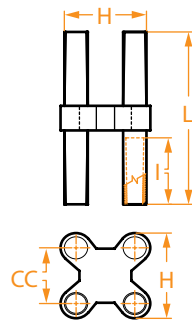


Figure 2

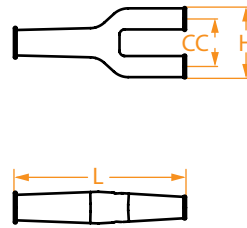


Figure 3

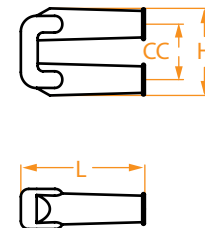


Figure 4

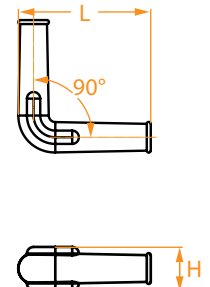


Figure 5

PART NUMBER	WIRE SIZE	FIGURE	# OF OUTLETS	# OF INDENTS	DIMENSIONS IN INCHES				
					I	H	L	C	CC
FJI4/0-2W	4/0	1	4	1	2.0	3-11/16	8-3/4	—	2-3/16
FJI4/0-3W	4/0	1	6	1	2.0	7-9/16	8-3/4	3-7/8	2-3/16
FJI4/0-4W	4/0	1	8	1	2.0	9-3/4	8-3/4	3-7/8	2-3/16
FJI4/0-5W	4/0	1	10	1	2.0	13-1/2	8-3/4	3-1/2	2-1/2
FJI4/0-6W	4/0	1	12	1	2.0	16	8-3/4	3-1/2	2-1/2
BIC4/0-4W	4/0	2	8	1	2.0	4	8-3/4	—	3
FJI500-(2)4/0	500 - 4/0	3	3	2	2.5	3	8-1/4	—	1-3/4
FJI500-U	500	4	2	2	3.5	4-1/4	6	—	2-1/2
FJI500-2W	500	1	4	2	2.5	4-3/8	12-5/8	—	2-1/2
FJI500-3W	500	1	6	2	2.5	8-5/8	12-5/8	3-3/4	2-1/2
FJI500-4W	500	1	8	2	2.5	11	12-5/8	3-3/4	2-1/2
FJI500-5W	500	1	10	2	2.5	14-1/2	12-5/8	3-3/4	2-1/2
FJI500-6W	500	1	12	2	2.5	17	12-5/8	3-3/4	2-1/2
FJI750-2W	750	1	4	2	2.5	4-3/4	13	—	2-1/2
FJI750-3W	750	1	6	2	2.5	9	13	4-1/2	2-1/2
FJI750-4W	750	1	8	2	2.5	12	13	4-1/2	2-1/2
FJI750-5W	750	1	10	2	2.5	16	13	4-1/2	2-1/2
RIL500-CE	500	5	2	2	3	2	6-3/16	—	—

FOR OTHER SIZES, CONTACT YOUR SALES REPRESENTATIVE OR THE FACTORY.

- Provides limiter protection for six or eight cables at one common junction
- For 125/216V applications only
- Eliminates bulky, time-consuming crotch taping
- Each cable is attached to its own separate fusible section
- The fusible elements are made from pure copper seamless tubing and tin-plated
- The elements are encased in a high-temperature shell, which provides separate arcing chambers for each fusible section
- Corrugated adapters allow a wide variety of cables to be used
- Insulated with an EPDM rubber for optimum electrical and mechanical properties

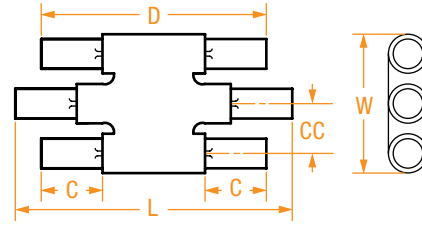


Figure 1

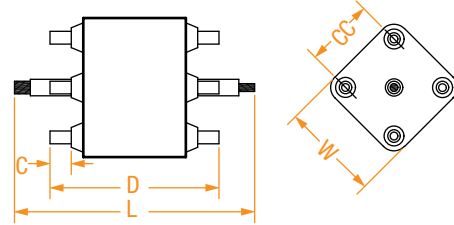


Figure 2



PART NUMBER	WIRE SIZE	FIGURE	# OF INDENTS	DIMENSIONS IN INCHES				
				C	L	D	CC	W
TWJ4/0-5*	4/0	2	1	2	18	10-1/2	3-1/4	5-11/16
TWJ500-3	500	1	2	2-7/8	15-7/16	10-7/8	2-5/16	6-7/16
TWJ500-5	500	2	2	3	20	13-1/2	3-9/16	6-3/16

FOR OTHER SIZES, CONTACT YOUR SALES REPRESENTATIVE OR THE FACTORY.

* TWJ4/0-5 has an unfused center cable port designed for 500 mcm copper cable. The outer cable ports are fused (limiteded) and designed for 4/0 cable.

TOWER JOINT ACCESSORIES – CABLE END CAPS & SHELLS

TWJA Series

- Cable end caps are used to insulate the center cable of the fusible crab type “TWJ”
- An EPDM rubber is used for optimum electrical and mechanical properties

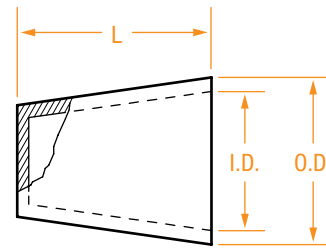


Figure 1

PART NUMBER	WIRE SIZE	FIGURE	DIMENSIONS IN INCHES		
			L	I.D.	O.D.
CC500	500	1	2-3/8	27/32	1-1/4

HIGH-TEMPERATURE FILLER SHELL

TWJA Series

- High-temperature filler shells are used with fusible crab joints type “TWJ”
- These shells prevent cable insulation damage due to the heat generated from the connections

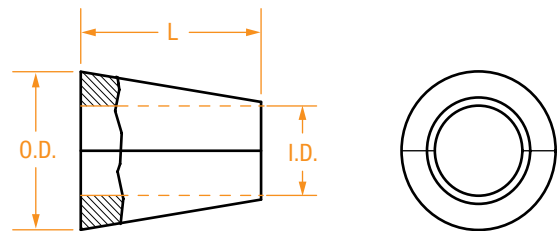


Figure 2

PART NUMBER	WIRE SIZE	FIGURE	DIMENSIONS IN INCHES		
			L	O.D.	I.D.
AS4/0	4/0	2	2-3/4	2-1/8	3/4
AS500/3	500	2	3	1-13/16	1-1/8
AS500-5	500	2	3	2-3/16	1-1/8

- Dead-end insulating caps are used to cap unused outlets of fusible crab joints
- This cap holds the filler shell in place and reduces the amount of hand taping
- An EPDM rubber is used for optimum electrical and mechanical properties

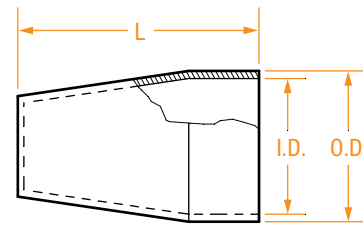


Figure 1

PART NUMBER	WIRE SIZE	FIGURE	DIMENSIONS IN INCHES		
			L	I.D.	O.D.
TWJC4/0	4/0	1	4-1/4	2-1/8	2-1/2
TWJC500-3	500	1	4-1/4	1-3/4	2-1/4
TWJC500-5	500	1	4-9/16	2-5/32	2-1/2

INSULATING SLEEVES FOR USE WITH “TWJ” SERIES FUSIBLE CRAB JOINTS

- Insulating sleeves are used to hold the filler shell in place and reduces the amount of hand taping
- An EPDM rubber is used for optimum electrical and mechanical properties

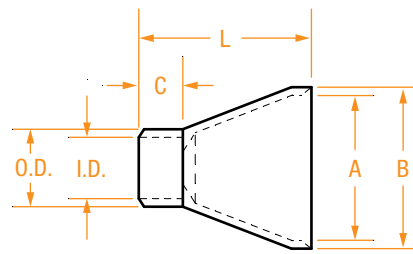


Figure 2

PART NUMBER	WIRE SIZE	FIGURE	DIMENSIONS IN INCHES					
			L	A	B	C	I.D.	O.D.
TWJS4/0	4/0	2	6-3/16	2-1/8	2-1/2	1-3/4	1-3/4	1-1/8
TWJS500-3	500	2	6-3/16	1-3/4	2-1/4	1-3/4	1-5/32	1-1/2
TWJS500-5	500	2	6-7/8	2-5/32	2-1/2	1-3/4	1-5/32	1-1/2

FUSIBLE CRAB JOINTS WITH PIGTAILS

- Installation is as easy as making a cable-to-cable butt splice
- Provides limiter protection for six, eight or 12 cables at one common junction
- Eliminates bulky, time-consuming crotch taping
- Each cable is attached to its own separate fusible section
- The fusible elements are made from pure copper seamless tubing and hot-tinned
- The elements are encased in a high-temperature shell, which provides separate arcing chambers for each fusible section
- Insulated with an EPDM rubber for optimum electrical and mechanical properties
- For 125/216V applications only

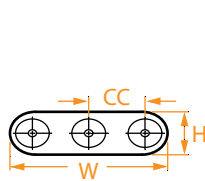
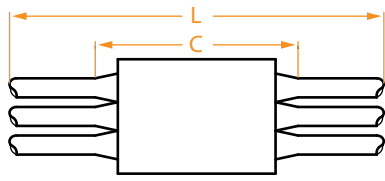


Figure 1

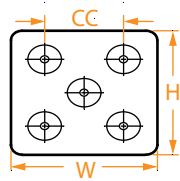


Figure 2

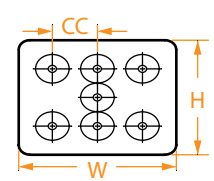
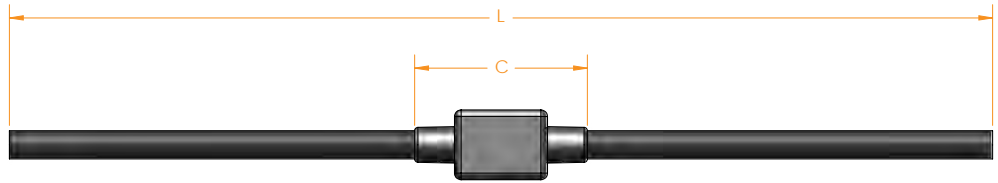
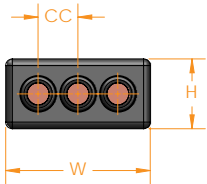
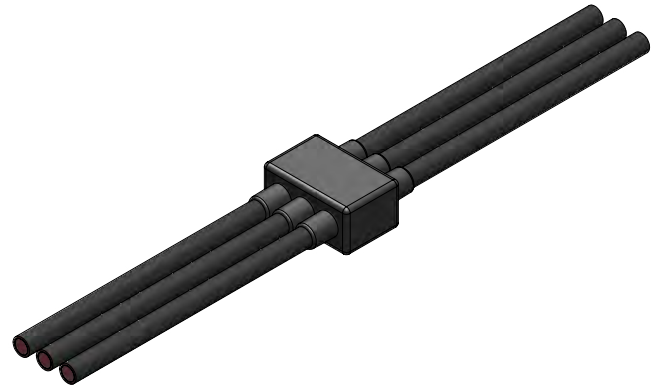


Figure 3

PART NUMBER	WIRE SIZE	FIGURE	DIMENSIONS IN INCHES				
			C	L	H	W	CC
CJLP500-3W	500	1	14-1/2	64	2-1/2	7	2-1/2
CJLPS500-3W	500	1	14-1/2	46	2-1/2	7	2-1/2
CJLP500-5W	500	2	17-5/8	62	6-1/2	6-1/2	3-1/2
CJLPS500-5W	500	2	17-5/8	44	6-1/2	6-1/2	3-1/2
CJLP500-7W	500	3	19	52	6	7	2-1/4

FOR OTHER SIZES, CONTACT YOUR SALES REPRESENTATIVE OR THE FACTORY.

- Installation is as easy as making a cable-to-cable butt splice
- Eliminates bulky, time-consuming crotch taping
- All cables are connected at one common junction
- Insulated with an EPDM rubber for optimum electrical and mechanical properties
- Made from Pure Copper



PART NUMBER	WIRE SIZE	# CABLES PER SIDE	DIMENSIONS IN INCHES				
			C	L	H	W	CC
CJLP500-3W-ENT	500	3	6.5	37	2.625	5.438	1.5
CJLP500-5W-ENT	500	5	6.5	37	2.625	8.375	1.5
CJLP500-6W-ENT	500	6	6.5	37	2.625	9.938	1.5
CJLP500-7W-ENT	500	7	6.5	37	2.625	11.438	1.5

FOR OTHER SIZES, CONTACT YOUR SALES REPRESENTATIVE OR THE FACTORY.

UNDERGROUND EQUIPMENT

CRAB JOINTS WITH PIGTAILS

- Installation is as easy as making a cable-to-cable butt splice
- Eliminates bulky, time-consuming crotch taping
- Insulated with an EPDM rubber for optimum electrical and mechanical properties
- When fusible elements are used, the elements are made from pure copper seamless tubing and tin-plated
- The fusible elements are encased in a high-temperature shell, which provides separate arcing chambers for each fusible section

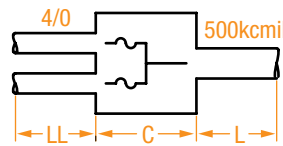


Figure 1

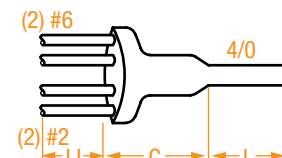


Figure 2

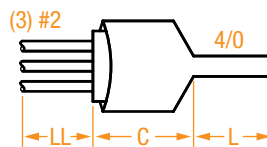


Figure 3

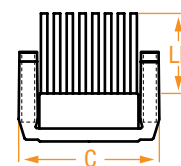


Figure 4



PART NUMBER	WIRE SIZE	CABLE SIZE # OF CABLES IN ()	FIGURE	DIMENSIONS IN INCHES		
				C	L**	LL*
SJ573-0536*	500	(2) 4/0	1	5	9 1/2	19 1/2
SJ573-0171	4/0	(2) #2 & (2) #6	2	4 1/2	6	6
SJ1420	4/0	(4) #4 Solid	2	5	9	8
SJ573-0346	4/0	(3) #2	3	4 3/4	24	16
SJ4/0-(6)1/0	4/0	(6) 1/0	2	—	—	—
SJ573-0569	(1) 500	(6) #2	4	8	—0—	11
SJ573-0551	(2) 500	(8) #2	4	11	—0—	11
SJ350AL-4/0-8W	(2) 350 AL	(8) 4/0 AL	4	12	—0—	—0—
SJ573-0668	—	(3) #2	See photo	2	—	6
SJ573-0676	—	(4) #2	See photo	2	—	6
SJ573-0692	—	(5) #2	See photo	2	—	6

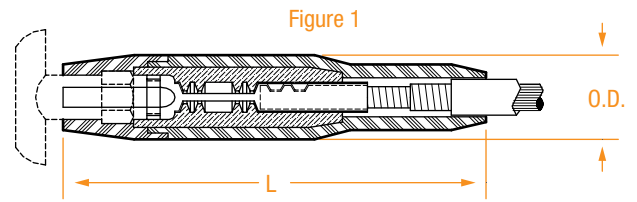
FOR OTHER SIZES, CONTACT YOUR SALES REPRESENTATIVE OR THE FACTORY.

—0— indicates a cable port, rather than a cable length.

* The two (2) 4/0 cables are limited. 125/216V applications only.

** Cable lengths given are standard, contact the factory for different lengths.

- Mole limiter assemblies are complete units that include a fusible element, a high-temperature filler shell and an insulating sleeve
- Can be ordered as a complete assembly or individual components
- For 125/216V applications only



Complete Assemblies

PART NUMBER	WIRE SIZE	# OF INDENTS	DIMENSIONS IN INCHES	
			L	OD
RMLA4/0	4/0	1	7-1/2	1-7/8
RMLA500	500	2	12	2.40

Mole Limiter Element Only

PART NUMBER	WIRE SIZE	# OF INDENTS	DIMENSIONS IN INCHES		
			L	STUD OD	SOCKET OD
RML4/0	4/0	1	6	.52	.68
RML500	500	2	8-3/8	.81	1.05

Mole Limiter Shell Only

PART NUMBER	WIRE SIZE	# OF INDENTS	DIMENSIONS IN INCHES	
			L	OD
RMLSHELL-4/0	4/0	1	5-7/16	1.47
RMLSHELL-500	500	2	7	1.8

Mole Limiter Sleeve Only

PART NUMBER	WIRE SIZE	# OF INDENTS	DIMENSIONS IN INCHES		
			L	OD	ID
RMLSLV-4/0	4/0	1	6-7/16	1-7/8	.92
RMLSLV-500	500	2	12	2.40	1.27

CABLE-TO-CABLE LIMITER – MOLDED ASSEMBLY

CCLA Series

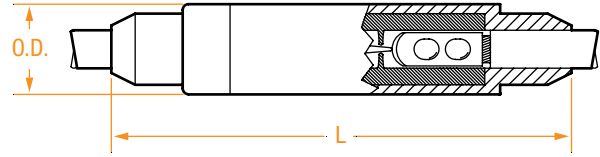
- Cable-to-Cable Limiter Assemblies are complete units that include a cable-to-cable fusible element, a high-temperature filler shell and an insulating sleeve
- This one-piece design is easy install and use
- For 125/216V applications only



PART NUMBER	WIRE SIZE	# OF INDENTS*	DIMENSIONS IN INCHES	
			L	O.D.
CCLA-IN-500	500	2	13	2-1/8
CCLA-IN-750-500	750 (side A) - 500 (side B)	3	13-1/4	2-1/8

* Number of indents refers to the number of crimps (min) to make on each side of the limiter using a nested indenter tool.

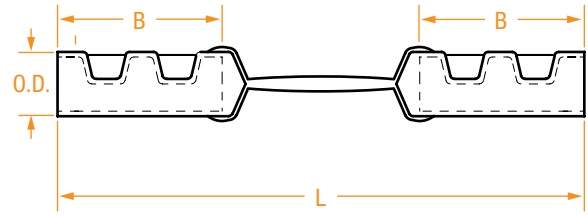
- Cable-to-Cable Limiter Assemblies are complete units that include a cable-to-cable fusible element, a high-temperature filler shell and an insulating sleeve
- When ordering individual components, refer to the following pages
- The “CCLAP” limiters are designed for use on paper-insulated cable and feature an oil-tight seal
- For 125/216V applications only



PART NUMBER		WIRE SIZE	# OF INDENTS	DIMENSIONS IN INCHES	
RUBBER INS.	PAPER INS.			L	O.D.
CCLA4/0	CCLAP4/0	4/0	1	8-1/4	1-1/2
CCLA250	CCLAP250	250	1	8-1/4	1-1/2
CCLA300	CCLAP300	300	2	12-1/8	2-1/2
CCLA350	CCLAP350	350	2	12-1/8	2-1/2
CCLA400	CCLAP400	400	2	12-1/8	2-1/2
CCLA500	CCLAP500	500	2	12-1/8	2-1/2
CCLA750	CCLAP750	750	2	12-1/8	2-1/2

UNDERGROUND EQUIPMENT

- Made of pure copper
- Tin-plated dipped for corrosion resistance
- These connectors combine the functions of fuse and a connector
- Designed to clear faults great enough to cause cable damage, while not clearing minor overloads
- The "CCLP" fuses are designed for use on paper-insulated cable and feature an oil-tight seal
- For 125/216V applications only



PART NUMBER		WIRE SIZE	DIMENSIONS IN INCHES		
RUBBER INS.	PAPER INS.		O.D.	B	L
CCL4/0	CCLP4/0	4/0	11/16	1-3/4	6-3/8
CCL250	CCLP250	250	3/4	1-7/8	6-3/8
CCL300	CCLP300	300	13/16	2	6-3/4
CCL350	CCLP350	350	7/8	2	6-3/4
CCL400	CCLP350	400	31/32	2-1/8	7
CCL500	CCLP500	500	1-1/16	2-7/8	8-3/4
CCL750	CCLP750	750	1-5/16	2-7/8	9

TWO-PIECE CABLE-TO-CABLE LIMITER INSULATING SLEEVES

LS Series

- Cable-to-cable insulating sleeves are used to hold the high temperature shell and to minimize the need for hand taping
- Molded from EPDM rubber, these sleeves have excellent mechanical and electrical properties

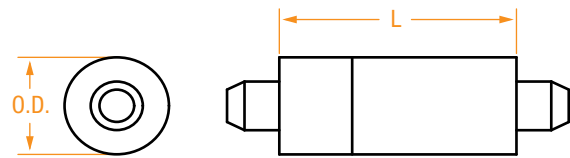


Figure 1

PART NUMBER	CABLE SIZE (RANGE)	FIGURE	DIMENSIONS IN INCHES	
			O.D.	L
LS-250	4/0 TO 250	1	1-1/2	8-1/4
LS-2PC-500	300 TO 500	1	2-1/2	12-1/8
LS-2PC-750	750	1	2-1/2	12-1/8

HIGH-TEMPERATURE FILLER SHELL FOR CABLE-TO-CABLE LIMITERS

LS Series

- High-temperature shells provide an arcing chamber for the limiter element under overload conditions
- For use with CCL Series (included in CCLA assembly)

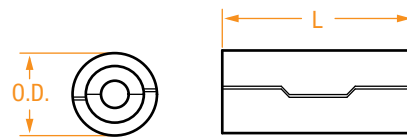


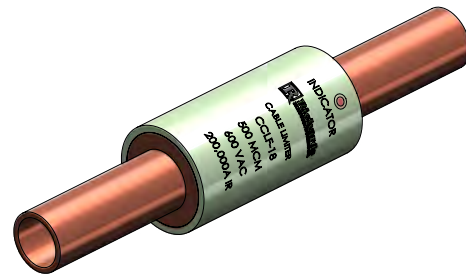
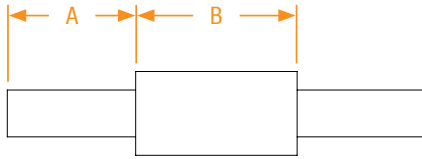
Figure 2

PART NUMBER	CABLE SIZE (RANGE)	FIGURE	DIMENSIONS IN INCHES	
			O.D.	L
ALS250	4/0 TO 250	2	1-3/8	6-1/2
ALS500	300 TO 500	2	1-7/8	8
ALS750	750	2	2-1/16	9

CABLE-TO-CABLE CURRENT LIMITING FUSES

CCLF Series

- Current limiting device to quickly clear system faults
- Rated for 600VAC and 200kA interrupt rating (IR)
- Crimp barrel suitable for copper conductor only
- Suitable for underground applications
- Molded rubber insulating sleeve available (see CCLF-CCR Series)



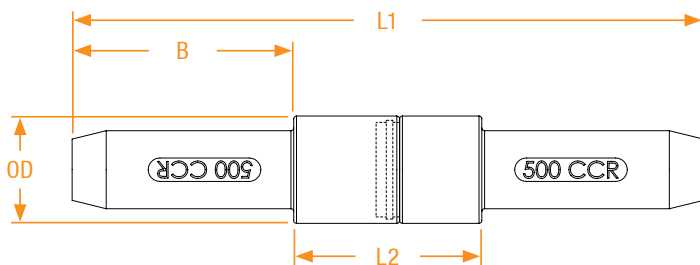
PART NUMBER*	CABLE SIZE	A	B
CCLF-12	4/0 AWG	1.75	3.63
CCLF-15	350 MCM	2.00	3.63
CCLF-18	500 MCM	2.88	3.63
CCLF-23	750 MCM	3.50	3.75

* Cable-To-Cable Current Limiting Fuses are compatible with CCLF-CCR Series Sleeves. To order with corresponding size sleeve add "A" after "CCLF".

TWO-PIECE CABLE-TO-CABLE CURRENT LIMITING FUSE SLEEVES

CCLF-CCR Series

- Insulating sleeve for CCLF Series



PART NUMBER	CABLE SIZE	OD	B	L1	L2
4/0-CCR	4/0 AWG	2	3-1/16	10-5/8	4-1/2
350-CCR	350 MCM	2-1/8	3-11/16	11-5/8	4-3/8
500-CCR	500 MCM	2-7/16	5	14-3/16	4-1/4
750-CCR	750 MCM	3	5	14-1/2	4-9/16

- Limiter lug assemblies are complete units that are comprised of a fusible element, a high-temperature filler shell and an insulating sleeve
- When ordering individual components, refer to the following pages.
- The “CLLAP” limiters are designed for use on paper-insulated cable and feature an oil-tight seal
- For 125/216V applications only

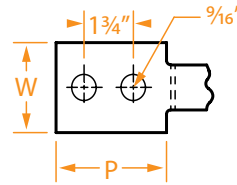
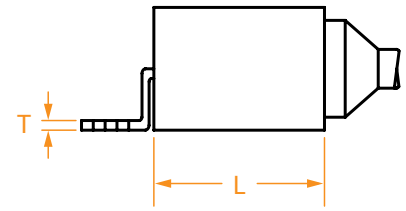


Figure 1
“NEMA Pad”

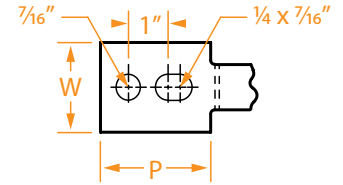


Figure 2
“A Pad”

PART NUMBER		WIRE SIZE	FIGURE	DIMENSIONS IN INCHES			
RUBBER INS.	PAPER INS.			L	W	P	T
CLLA4/0N	CLLAP4/0-N	4/0	1	10	1	2-7/16	9/64
CLLA4/0-A	CLLAP4/0-A	4/0	2	9-3/4	1	2-3/16	9/64
CLLA250-N	CLLAP250-N	250	1	10	1-1/8	2-7/16	5/32
CLLA250-A	CLLAP250-A	250	2	9-3/4	1-1/8	2-3/16	5/32
CLLA300-N	CLLAP300-N	300	1	10-7/8	1-3/16	2-9/16	5/32
CLLA300-A	CLLAP300-A	300	2	10-3/8	1-3/16	2-5/16	5/32
CLLA350-N	CLLAP350-N	350	1	10-7/8	1-5/16	2-9/16	3/16
CLLA350-A	CLLAP350-A	350	2	10-3/8	1-5/16	2-5/16	3/16
CLLA400-N	CLLAP400-N	400	1	10-3/4	1-7/16	2-9/16	3/16
CLLA400-A	CLLAP400-A	400	2	10-1/2	1-7/16	2-5/16	3/16
CLLA500-N	CLLAP500-N	500	1	11-3/4	1-1/2	3	7/32
CLLA500-A	CLLAP500-A	500	2	11-1/2	1-1/2	2-3/4	1/4
CLLA750-N	CLLAP750-N	750	1	11-3/4	1-15/16	3	1/4
CLLA750-A	CLLAP750-A	750	2	11-1/2	1-15/16	2-3/4	1/4

- Made of pure copper
- Tin-plated to resist corrosion
- These connectors combine the functions of fuse and a connector
- Designed to clear faults great enough to cause cable damage, while not clearing minor overloads
- The “CLLP” and “CLLPL” fuses are designed for use on paper insulated cable and feature an oil-tight seal
- For 125/216V applications only

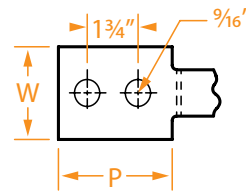


Figure 1
“NEMA Pad”

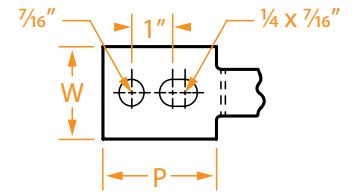


Figure 2
“A Pad”

PART NUMBER		WIRE SIZE	FIGURE	DIMENSIONS IN INCHES					
RUBBER INS.	PAPER INS.			L	C	W	P	T	O.D.
CLL4/0-N	CLLP4/0-N	4/0	1	8-1/2	1-7/8	1	2-7/16	9/64	11/16
CLL4/0-A	CLLP4/0-A	4/0	2	8-1/2	1-7/8	1	2-7/16	9/64	11/16
CLL250-N	CLLP250-N	250	1	8-1/2	1-7/8	1-1/8	2-7/16	5/32	3/4
CLL250-A	CLLP250-A	250	2	8-1/2	1-7/8	1-1/8	2-7/16	5/32	3/4
CLL300-N	CLLP300-N	300	1	9	2	1-3/4	2-9/16	5/32	13/16
CLL300-A	CLLP300-A	300	2	9	2	1-3/4	2-9/16	5/32	13/16
CLL350-N	CLLP350-N	350	1	9	2	1-5/16	2-9/16	3/16	7/8
CLL350-A	CLLP350-A	350	2	9	2	1-5/16	2-9/16	3/16	7/8
CLL400-N	CLLP400-N	400	1	9-1/4	2-1/8	1-7/16	2-9/16	3/16	31/32
CLL400-A	CLLP400-A	400	2	9-1/4	2-1/8	1-7/16	2-9/16	3/16	31/32
CLL500-N	CLLP500-N	500	1	10-1/4	2-9/16	1-1/2	3	7/32	1-1/16
CLL500-A	CLLP500-A	500	2	10-1/4	2-9/16	1-1/2	3	7/32	1-1/16
CLL750-N	CLLP750-N	750	1	10-1/4	2-9/16	1-15/16	3	1/4	1-5/16
CLL750-A	CLLP750-A	750	2	10-1/4	2-9/16	1-15/16	3	1/4	1-5/16

LIMITER LUG ACCESSORIES – INSULATING SLEEVES

LLS Series

- Limiter lug insulating sleeves are used to hold the high-temperature filler shell and to minimize the need for hand taping
- Molded from EPDM rubber, these sleeves have excellent mechanical and electrical properties

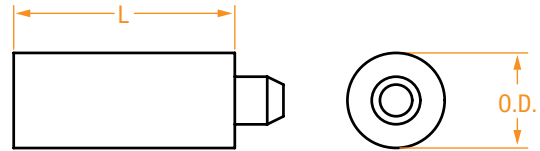


Figure 1

PART NUMBER	WIRE SIZE	FOR USE WITH CURRENT LIMITING LUG (CLLF)	FOR USE WITH LOW VOLTAGE LIMITING LUG (CLLA)	DIMENSIONS IN INCHES	
				O.D.	L
LLS4/0	4/0 to 250	✓	✓	1-3/4	6-3/4
LLS500	300 to 500	✓	✓	2-1/2	9
LLS750	750		✓	2-1/2	9-1/4
LLS750-2	750	✓		3-1/8	7-7/8
LLS1000	1000	✓		3-19/32	4-3/32

LIMITER LUG ACCESSORIES – HIGH-TEMPERATURE FILLER SHELLS

ALLS Series

- High-temperature shells provide an arcing chamber for the limiter element under overload conditions
- For use with CLL Series (included in CLLA assembly)

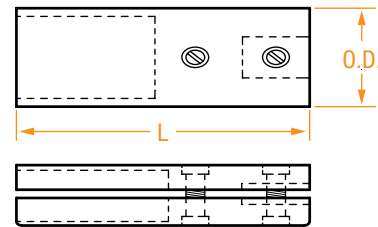
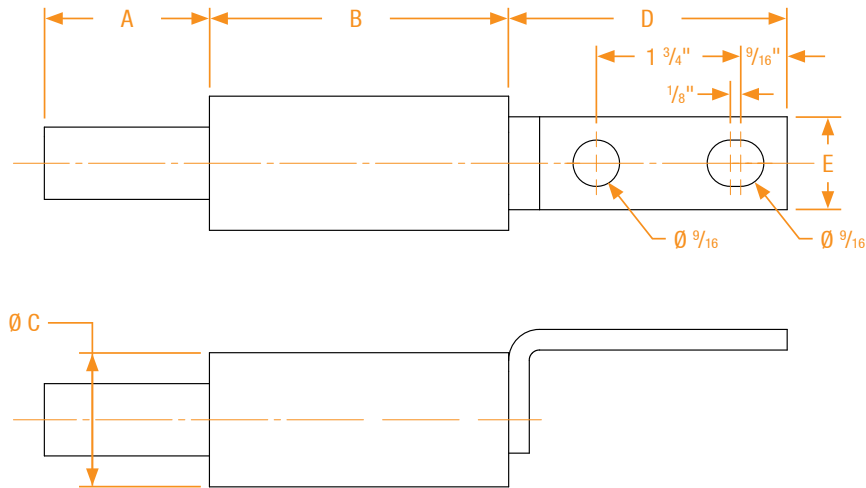
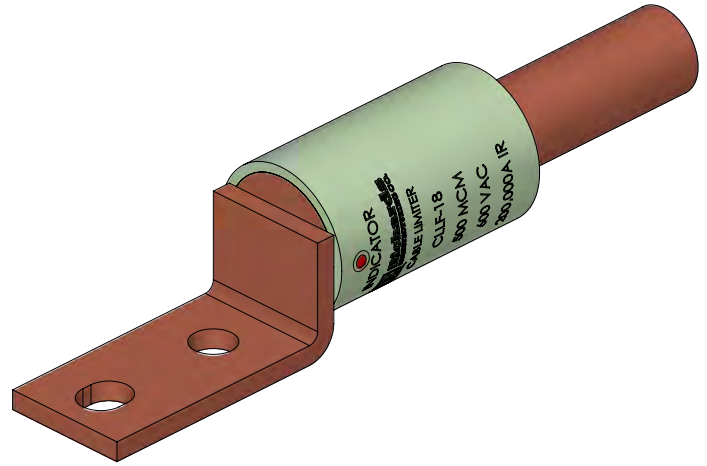


Figure 2

PART NUMBER	CABLE SIZE (RANGE)	FIGURE	DIMENSIONS IN INCHES	
			O.D.	L
ALLS250	4/0 TO 250	2	1-7/16	5-11/16
ALLS500	300 TO 500	2	1-7/8	7-1/8
ALLS750	750	2	1-7/8	7-1/2

- Current limiting device to quickly clear system faults
- Rated for 600VAC and 200kA interrupt rating (IR)
- Crimp barrel suitable for copper conductor only
- Suitable for underground applications
- Molded rubber insulating sleeve available (see LLS Series)



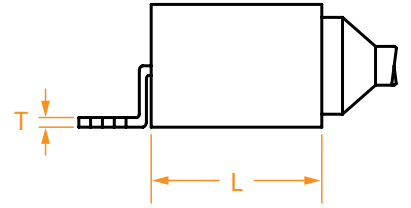
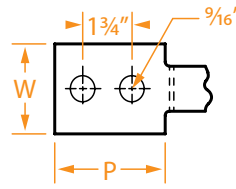
PART NUMBER*	CABLE SIZE	A	B	C	D	E
CLLF-12	4/0	1.75	3.63	1.44	3.38	1.125
CLLF-15	350 MCM	2.0	3.63	1.63	3.38	1.125
CLLF-18	500 MCM	2.88	3.08	1.88	3.38	1.63
CLLF-23	750 MCM	3.5	3.75	2.5	3.5	2.0
CLLF-28	1000 MCM	3.5	3.75	3.0	3.5	2.0

* Silver Sand Cable limiter lugs are compatible with LLS Series Sleeves. To order with corresponding size sleeve add "A" after "CLLF".

RING BUS LIMITER LUG ASSEMBLY

CLLA-UBOLT Series

- Ring Bus Limiter Lug assemblies are complete units that are comprised of a fusible element, a high-temperature filler shell, an insulating sleeve, U-bolt and saddle and rubber hood
- Facilitates connection to secondary network "ring bus"
- Protects network secondary cable with fusible element contained within a high-temperature filler shell
- For 125/216V applications only



PART NUMBER	U BOLT WIRE SIZE (RUN)	WIRE SIZE (TAP)	DIMENSIONS IN INCHES			
			L	W	P	T
CLLA4/0N-UBOLT	500-800 MCM	4/0	10	1	2-7/16	9/64
CLLA250N-UBOLT	500-800 MCM	250	10	1-1/8	2-7/16	5/32
CLLA300N-UBOLT	500-800 MCM	300	10-7/8	1-3/16	2-9/16	5/32
CLLA350N-UBOLT	500-800 MCM	350	10-7/8	1-5/16	2-9/16	3/16
CLLA400N-UBOLT	500-800 MCM	400	10-3/4	1-7/16	2-9/16	3/16
CLLA500N-UBOLT	500-800 MCM	500	11-3/4	1-1/2	3	7/32
CLLA750N-UBOLT	500-800 MCM	750	11-3/4	1-15/16	3	1/4

UNDERGROUND EQUIPMENT

NETWORK PROTECTOR TERMINALS

- Network protector terminals are designed for use on network protectors
- Terminals available with built-in cable limiters (limited) or without (non-limited)
- The fusible elements are made of pure copper and tin-plated for corrosion resistance
- The element is enclosed in a high-temperature shell which provides separate arcing chambers for each fusible section
- The terminals are molded with silicone rubber for optimum electrical properties, high-temperature capabilities and low-compression set

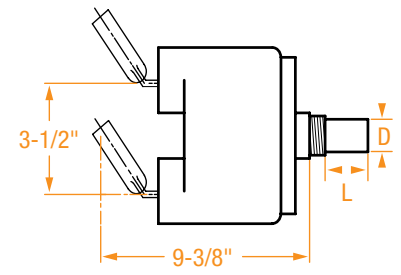
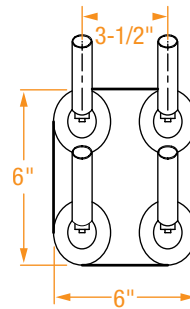


Figure 1



Figure 2



Figure 3
Terminal supplied with four rubber boots.

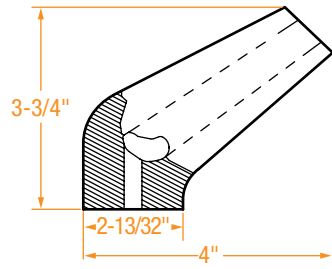


Figure 4
Terminal supplied with four rubber sleeves
Shown, 4 CL18-2N (500 mcm Cu lugs) and hardware.

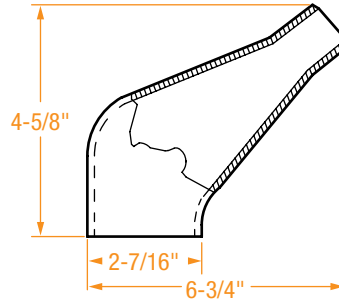
PART NUMBER	NETWORK PROTECTOR MANUFACTURER	WIRE SIZE	DRAWING NO.	# OF CABLE PORTS	FIGURE	LIMITED OR NON-LIMITED	DIMENSIONS IN INCHES	
							B (L)	D
NPT523-0925 (was NPT500A)	Richards 313NPs & Westinghouse	500	MN-E02167-B	4	1	Limited **	1-7/8	1-1/4
312-1316-00	Richards 313NPs & Westinghouse	500	MN107447	4	1	Non-Limited	1-7/8	1-1/4
312-1311-00	Richards 313NPs & Westinghouse	750	MN106980	6	2	Limited **	2-1/8	3-3/4
312-1315-00*	Richards 313NPs & Westinghouse	500	MN106147	4 2-hole spades	4	Limited **	1-7/8	1-1/4
312-1315-01*	Richards 313NPs & Westinghouse	500	MN106147	4 2-hole spades	4	Non-Limited	1-7/8	1-1/4
312-1268-00	Richards 313NPs & Westinghouse	500	MN101003	4	3	Limited **	1-7/8	1-1/4
312-1269-00	Richards 313NPs & Westinghouse	500	MN101003	4	3	Non-Limited	1-7/8	1-1/4
NPT523-0909 (was NPT500B)	Richards 137NPs & General Electric	500	MN-E02167-B	4	1	Limited **	1-1/4	1-1/4
312-1330-00	Richards 137NPs & General Electric	500	MN111240	4	1	Non-Limited	1-1/4	1-1/4

* Terminal supplied with four rubber sleeves, four two-hole 500 mcm copper lugs and hardware.
 ** For 125/216V applications only.

High-Temperature Shell



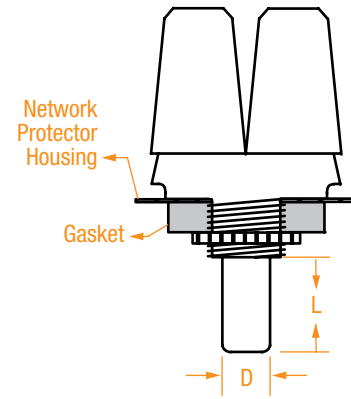
Insulating Sleeve



PART NUMBER	CABLE	SHELL OR SLEEVE
HTS-500	500 kcmil cable	High Temperature Shell
HTS-750	750 kcmil cable	High Temperature Shell
ES-500	500 kcmil cable	Insulating Sleeve
ES-750	750 kcmil cable	Insulating Sleeve

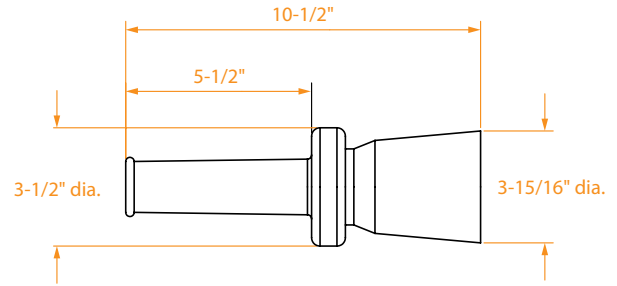
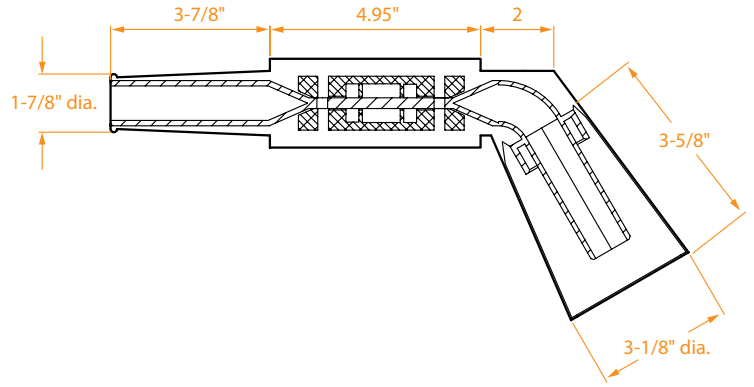
DISCONNECT NETWORK PROTECTOR TERMINALS

- The Richards disconnect network protector terminals are designed for fast and easy installations. The disconnect legs on the following page are crimped onto the system cable and then plugged into the terminal. The disconnect leg forms a water-tight seal around the terminal, so there is no taping.
- Disconnect network protector terminals are designed for use on General Electric or Westinghouse network protectors.
- The terminals are molded with silicone rubber for optimum electrical properties, high-temperature capabilities and low-compression set.
- Disconnect legs, shown on the next page, come limited or unlimited, which eliminates the need to externally limiter each cable.



PART NUMBER	NETWORK PROTECTOR MANUFACTURER	WIRE SIZE	NP TYPE	# OF POSITIONS	DIMENSIONS IN INCHES	
					L	D
312-1200-00	Richards 313NPs & Westinghouse	500	313NP, 1875A	4	2-3/4	1-1/4
312-1265-00	Richards 313NPs & Westinghouse	500	313NP wall mount, 2500 & 3500A	8	1-9/16	2-3/4
312-1270-00	Richards 313NPs & Westinghouse	500	313NP 2500 & 3500 A	8	2-5/8	2-3/4
237-1229-00	Richards 137NPs & General Electric	500	MG8, 1875A	4	1-1/4	1-3/4
237-1221-00	Richards 137NPs & General Electric	500	MG8 – 3500A	8	1-5/8	3-3/4
237-1245-00	Richards 137NPs & General Electric	500	MG14 – 4500A	8	2-1/8	3-3/4
237-1234-10	Richards 137NPs & General Electric	500	Special	4	1-1/8	1-1/4

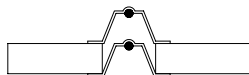
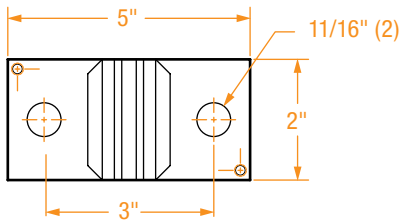
- The disconnect legs are available fused or unfused, straight or angled
- For use with copper cable
- Accessories available when using the disconnect
- For use with NPT-DISC Series Terminal Bases
- Molded flange for improved ease of installation (straight style only)



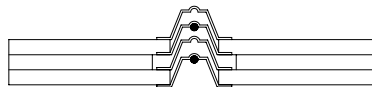
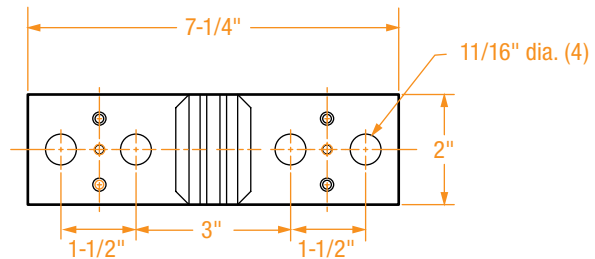
PART NUMBER	DISCONNECT LEG TYPE	
RDL-FA500	Fused *	Angled
RDL-US500	Unfused	Straight
RDL-UA500	Unfused	Angled
RDL-FA750	Fused *	Angled
RDL-US750	Unfused	Straight

* For 125/216V applications only.

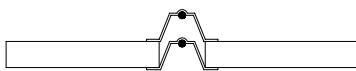
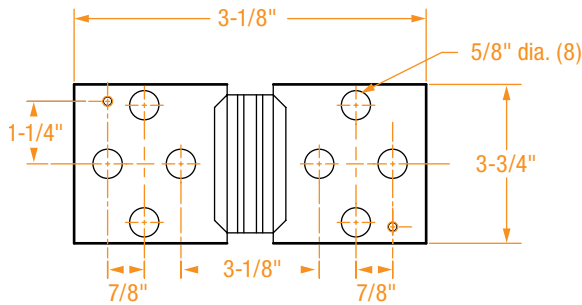
- LLF-KA fuses are to be used on 125/216V network protectors
- LLF-KA fuses are made from silver-plated copper with a tin or cadmium overlay in the element
- LLF-KA fuses are “low loss” meaning they radiate a limited amount of heat until they approach their melting temperature



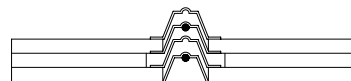
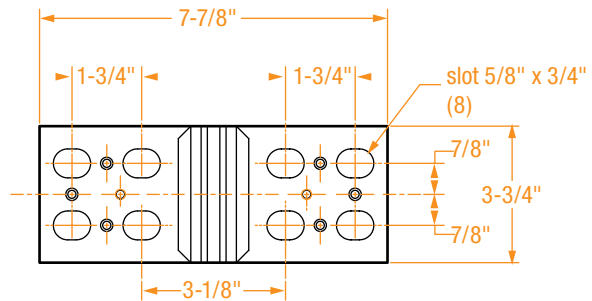
LLF-2KA
2,000 Amperes



LLF-2.25 KA
2,250 Amperes



LLF-3KA/LLF-4KA
3,000/4,000 Amperes
(Same hole configuration for both sizes)

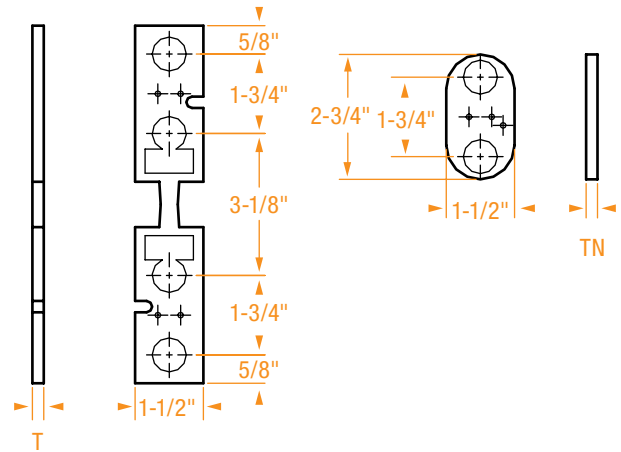


LLF-5KA
5,000 Amperes

NETWORK PROTECTOR FUSES – “Z” FUSE

NPF-Q Series

- Network protector fuses are used for backup. They are designed to coordinate with the protector relay and should not blow on a network feeder fault before the relays have time to trip the protector. However, in case the protector fails to open, the fuses must blow in time to prevent transformer damage.
- Fuses are made of pure copper and are available with tin or silver plating depending on the application
- Time current curves are available upon request



PART NUMBER	NETWORK PROTECTOR RATING AMPS	TRANSFORMER FULL LOAD (NORMAL) AMPS	FUSE “T” DIMENSIONS IN INCHES	WASHER “TN” DIMENSIONS IN INCHES
NPF-22.5-Q	1600	1200	.225	17/64
NPF-25-Q	1875	1340	.250	15/64
NPF-30-Q	2000	1600	.300	12/64
NPF-37.5-Q	2500	2000	.375	8/64
NPF-44-Q	3000	2500	.440	4/64
NPF-50-Q	3000	3000	.500	N/A

NOTE: THIS CHART IS A REFERENCE TABLE ONLY BASED ON COMMON APPLICATIONS. IT IS NOT A DEFINITIVE SELECTION GUIDE FOR UTILITIES TO RELY ON WITHOUT A PROFESSIONAL AND INTERNAL FUSE COORDINATION STUDY CONDUCTOR BY END-USER.

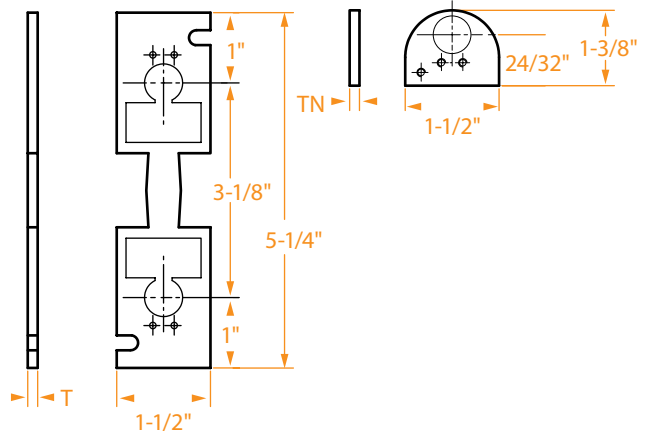


* Fuse cover is available for 125/216V applications. The part number is 312-3120-00.

NETWORK PROTECTOR FUSES – “Y” FUSE

NPF-L Series

- Network protector fuses are designed to coordinate with the network protector relay and should not blow on a network feeder fault before the relay has time to trip the protector. However, in case the protector fails to open, the fuses must blow in time to prevent transformer damage.
- Fuses are made of pure silver-plated copper
- For network protectors with two bolt-fuse mountings
- Fuse mounting enclosure is available for 125/216V network-protector applications
- Time-current curves available upon request



PART NUMBER	NETWORK PROTECTOR RATING AMPS	TRANSFORMER FULL LOAD (NORMAL) AMPS	FUSE “T” DIMENSIONS IN INCHES	WASHER “TN” DIMENSIONS IN INCHES
NPF-11-L	800	600	.110	3/8
NPF-15-L	1200	800	.150	5/16
NPF-22.5-L	1600	1200	.225	1/4
NPF-25-L	1600	1340	.250	15/64
NPF-30-L	2000	1600	.300	3/16
NPF-37.5-L	2500	2500	.375	1/8
NPF-44-L	3000	2825	.438	1/16
NPF-50-L	3000	3000	.500	N/A
NPF-50-L	3500	3500	.500	N/A

NOTE: THIS CHART IS A REFERENCE TABLE ONLY BASED ON COMMON APPLICATIONS. IT IS NOT A DEFINITIVE SELECTION GUIDE FOR UTILITIES TO RELY ON WITHOUT A PROFESSIONAL AND INTERNAL FUSE COORDINATION STUDY CONDUCTOR BY END-USER.



* Fuse cover is available for 125/216V applications. The part number is 312-3120-00.

- Easy and quick installation
- Captive Nuts eliminate loose hardware
- Reduces risk of dropping components
- Easily check fuse status via Viewing Window
- One-handed removal

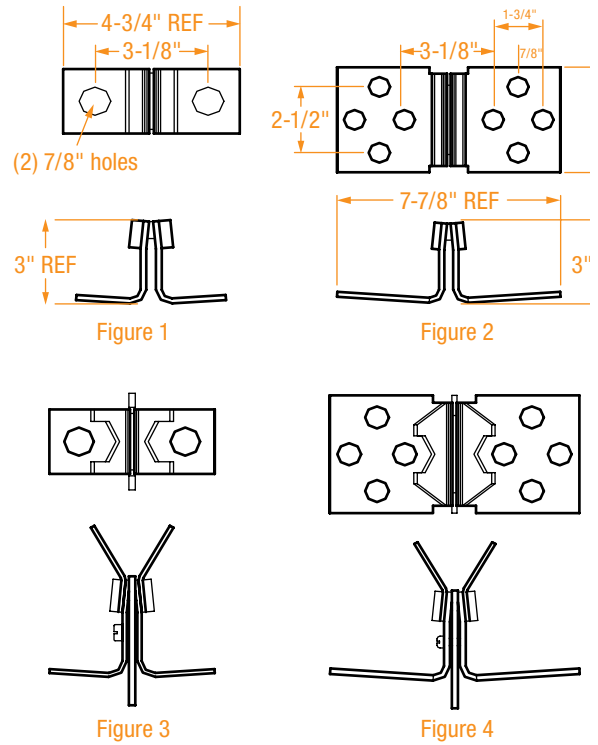


312-2566-00A
 (shown assembled with Z fuse
 - fuse supplied separately)

PART NUMBER	FUSE STYLE (SUPPLIED SEPARATELY)
312-2565-00A	Y (see NPF-L Series)
312-2566-00A	Z (see NPF-Q Series)

Laminated Type – Standard Speed

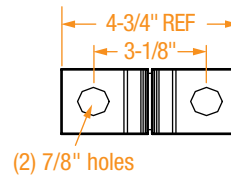
UNDERGROUND EQUIPMENT



PART NUMBER		AMP.	VOLTAGE	OEM EQUIV. (OPEN/ VENTILATED)	OEM EQUIV. (SUBMERSIBLE/ NEMA 1A)	FIGURE
Open/Ventilated Enclosure	Submersible/ Nema 1A Enclosure					
312-3200-00	312-3201-00	800	120/208	1173006	1173007	1
312-3250-00	312-3251-00	800	277/480	1254871	1254872	3
312-3201-00	312-3202-00	1200	120/208	1173007	1173008	1
312-3251-00	312-3252-00	1200	277/480	1254872	1300550	3
312-3202-00	312-3203-00	1600	120/208	1173008	1173010	1
312-3252-00	312-3253-00	1600	277/480	1300550	1300551	3
312-3204-00	312-3205-00	1875	120/208	1173009	1173011	1
312-3254-00	312-3255-00	1875	277/480	1346424	14A5795G06	3
312-3110-00	312-3208-00	2500	120/208	1346917	1247325	2
312-3208-00	312-3209-00	2825	120/208	1247325	1291274	2
312-3260-00	312-3261-00	2825	277/480	1332318	1615572	4
312-3208-00	312-3211-00	3000	120/208	1247325	12A3822G07	2
312-3260-00	312-3263-00	3000	277/480	1332318	15A4106G04	4
312-3209-00	312-3211-00*	3500	120/208	1291274	12A3822G07	2
312-3261-00	312-3263-00*	3500	277/480	1615572	15A4106G04	4

* This fuse to be used only in a submersible 3500 Ampere unit.

Laminated Type – Time Lag



(2) 7/8" holes



Figure 1

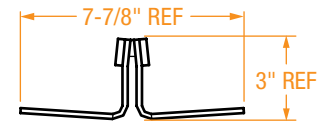
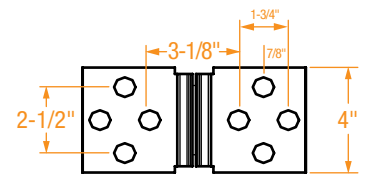


Figure 2

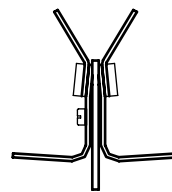
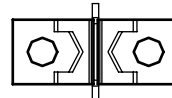


Figure 3

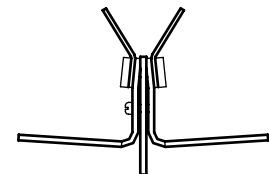
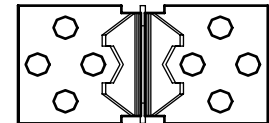


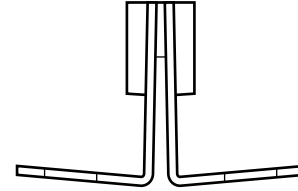
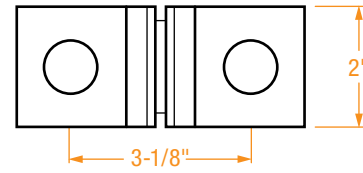
Figure 4

PART NUMBER		AMP.	VOLTAGE	OEM EQUIV. (OPEN/ VENTILATED)	OEM EQUIV. (SUBMERSIBLE/ NEMA 1A)	FIGURE
Open/ Ventilated Enclosure	Submersible/ NEMA 1A Enclosure					
312-3300-00	312-3301-00	800	120/208	1019506	1019507	1
312-3500-00	312-3501-00	800	277/480	1300576	1300577	3
312-3301-00	312-3302-00	1200	120/208	1019507	1019508	1
312-3501-00	312-3502-00	1200	277/480	1300577	1300578	3
312-3302-00	312-3303-00	1600	120/208	1019508	1019510	1
312-3502-00	312-3503-00	1600	277/480	1300578	1300579	3
312-3304-00	312-3100-00	1875	120/208	1019509	1019511	1
312-3305-00	312-3306-00	1875	277/480	—	—	3
312-3308-00	312-3309-00	2500	120/208	12A3822G06	1649110	2
312-3506-00	312-3507-00	2500	277/480	—	405D312G01	4
312-3309-00	312-3311-00	2825	120/208	1649110	—	2
312-3507-00	312-3511-00	2825	277/480	405D312G01	—	4
312-3309-00	312-3310-00	3000	120/208	1649110	1649797	2
312-3507-00	312-3508-00	3000	277/480	405D312G01	405D312G03	4
312-3310-00		3500	120/208	1649797	—	2
312-3508-00		3500	277/480	405D312G03	—	4

UNDERGROUND EQUIPMENT

Non-Laminated Type – Single Layer

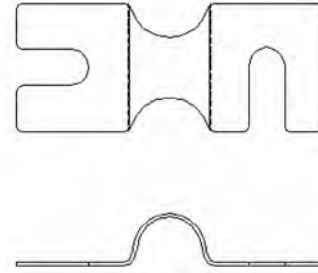
- Made from silver-plated copper and tin/lead solder
- May be used at 125/216V or 277/480V
- NF fuses have a lower loss, and a lower operating temperature than the equivalent copper link fuses
- Time-current curves available upon request



PART NUMBER	NETWORK PROTECTOR RATING AMPS
NF-2	800
NF-3	1200
NF-4	1600
NF-5	1875
NF-6	2000
NF-7*	2500
NF-10*	3000
NF-10*	3500

* Have two NEMA-spaced holes on each side.

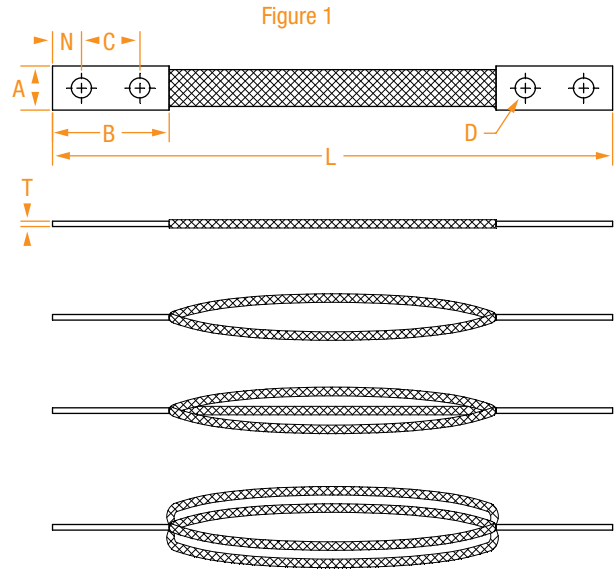
- Made from silver-plated copper
- May be used at 125/216V or 277/480V
- The most inexpensive network-protector fuse available
- Time-current curves available upon request



PART NUMBER	NETWORK PROTECTOR RATING AMPS	TRANSFORMER FULL LOAD (NORMAL) AMPS
NWP-7	800	600
NWP-6	1200	800
NWP-5	1600	1340
NWP-5	1875	1340
NWP-4	2000	1600
NWP-3	2500	2000

COPPER BRAIDS

- Made of flexible pure copper braid
- Designed to compensate for misalignment or equipment, dampen vibrations and take up linear expansion and contraction
- Pads can be drilled to any specification
- For special lengths and drilling, contact the factory



PART NUMBER	NETWORK PROTECTOR RATING AMPS	DIMENSIONS IN INCHES						
		A	L	B	D	N	C	T
CB504-0530	900A	1-3/4	9-1/4	3	3/4	3/4	1-1/2	3/4
CB570-2774	1200A	2	15	3-1/8	9/16	11/16	1-1/2	7/8
CB183053	—	2	32	2-1/2	1/2	9/16	N/A one-hole	1/8
CB396271	—	1	1" x 15' copper wire mesh					
CB396740	—	1	1" x 100' copper wire mesh					

- Designed to fit onto pad mount transformer’s secondary studs
- The “clamp-on” design offers a solid and reliable connection, while not damaging the transformer stud
- Made of solid copper or aluminum
- The threaded studs and nuts are made of stainless steel
- Tin-plated to resist corrosion
- Available in an assortment of shapes and sizes for any transformer stud size
- Spaced according to NEMA standards

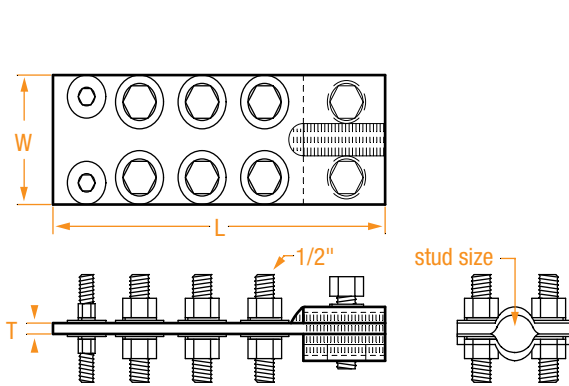


Figure 1

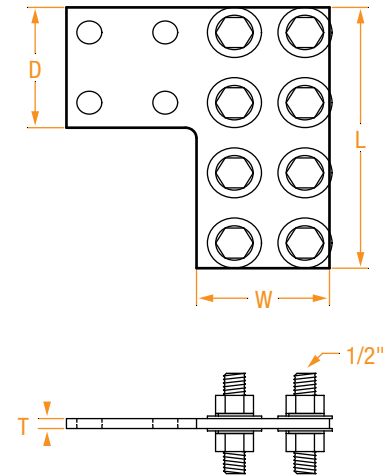


Figure 2

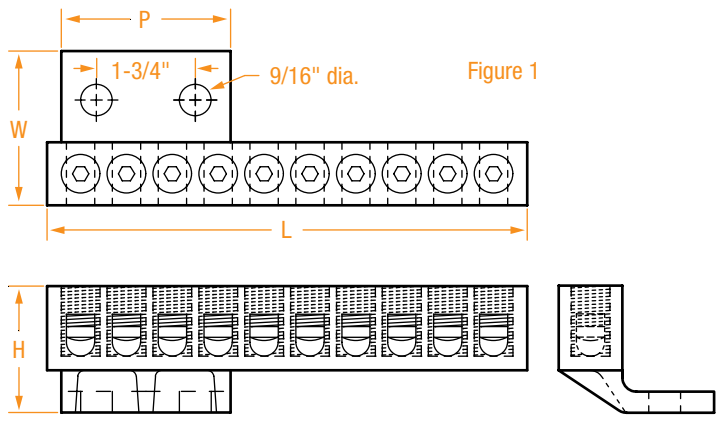
PART NUMBER	MATERIAL	FIGURE	DIMENSIONS IN INCHES				
			L	T	W	D	STUD SIZE
TRSS-C100	Cu	1	8-1/2	1/4	3	—	5/8
TRSS-C101	Cu	1	8-1/2	1/4	3	—	1
TRSS-C102	Cu	1	6-3/4	1/2	3	—	5/8
TRSS-A200	Al	2	6-1/2	1/2	3-1/16	3	four-hole NEMA Pad
TRSS-A201	Al	2	4-5/8	1/2	3	3-1/8	two-hole NEMA Pad

FOR OTHER SIZES, CONTACT YOUR SALES REPRESENTATIVE OR THE FACTORY.

SET SCREW CONNECTORS

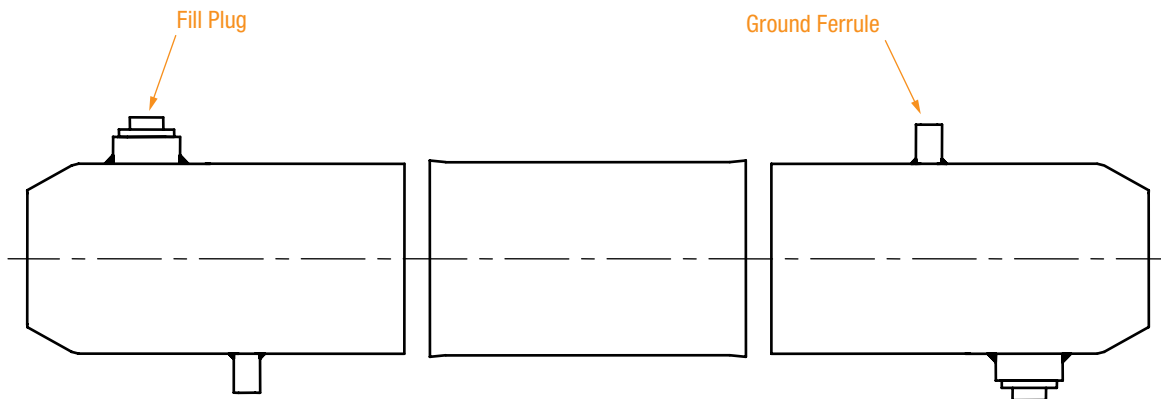
SSCRW Series

- Made of aluminum alloy
- Used on pad-mounted transformers
- Accepts a range of conductor sizes –from #8 to 4/0
- Two-hole NEMA pad
- Comes with a plastic cover



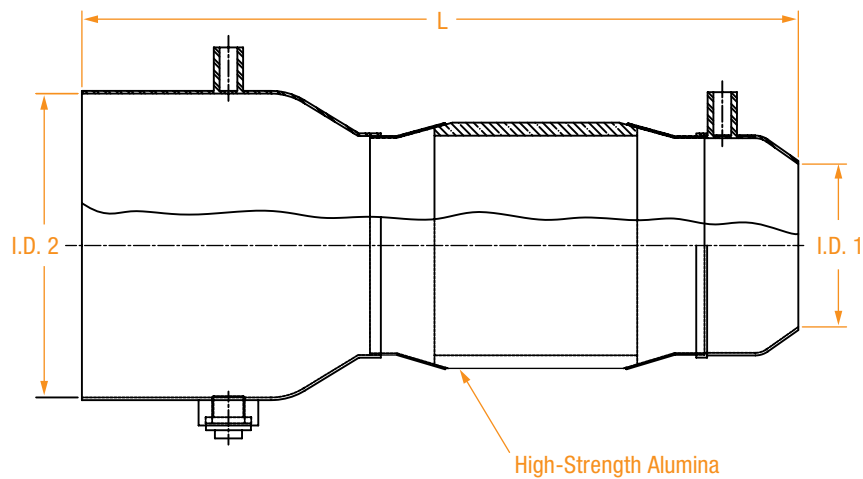
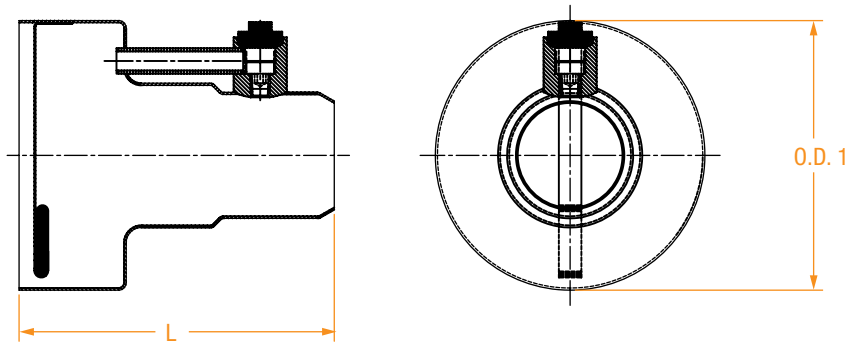
PART NUMBER	DIMENSIONS IN INCHES			
	L	H	W	P
SSCRW10-12-1	8-1/2	2-1/4	2-3/4	3

- Used on low pressure oil filled transmission cable — 69kV, 138kV and 345kV
- Made from spun copper
- Fill plugs allow addition of oil or compound



Available with inside diameters of 5, 7 & 9 inches.

FOR OTHER SIZES, CONTACT YOUR SALES REPRESENTATIVE OR THE FACTORY.



- Made of galvanized steel
- Used to support underground cables, splices, crab joints and other accessories in manholes and vaults



Figure 4

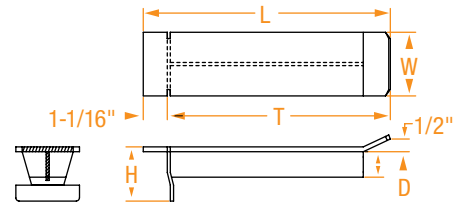


Figure 1

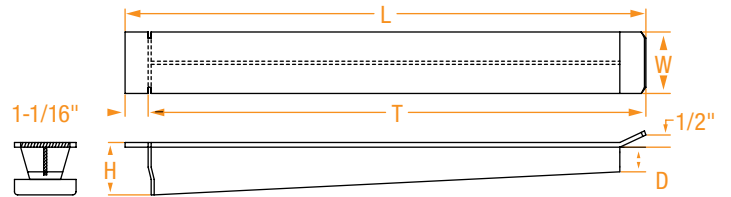


Figure 2

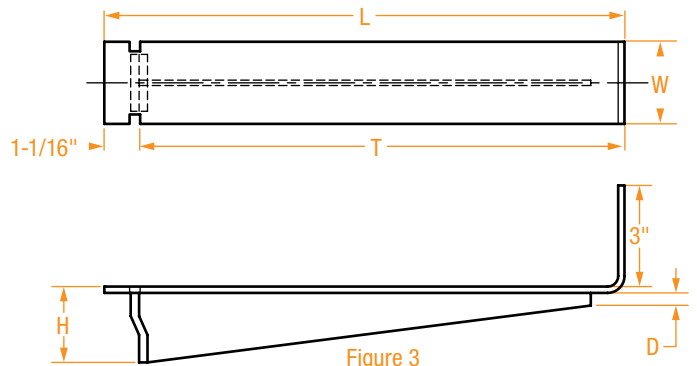


Figure 3

Cable Rack Arms

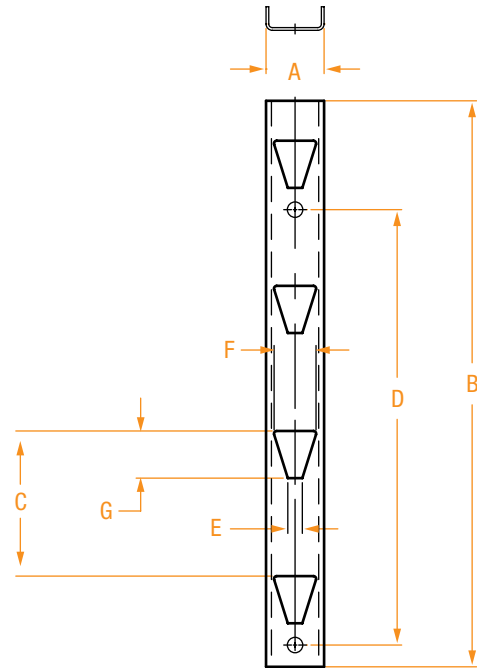
PART NUMBER*	FIGURE	DIMENSIONS IN INCHES				
		L	T	H	D	W
RA-1W	1	9-11/16"	8-5/8"	2-7/16"	1"	2-1/2"
RA-2W	2	13-13/16"	12-3/4"	2-7/16"	3/8"	2-1/2"
RA-3W	2	21-3/16"	19-9/16"	2-7/16"	1/2"	2-1/2"
RA-1W-90	3	10"	9-15/16"	2-7/16"	3/8"	2-1/2"
RA-2W-90	3	15-1/4"	12-3/4"	2-7/16"	3/8"	2-1/2"
RA-3W-90	3	21-3/16"	20-1/16"	2-7/16"	3/8"	2-1/2"

Rack Arm Covers

PART NUMBER	FIGURE	DIMENSIONS IN INCHES				
		L	T	H	D	W
RA-1W-C	4	9"	—	4-1/2"	—	2-3/4"
RA-2W-C	4	13"	—	4-1/2"	—	2-3/4"

* RA-1W comes assembled with cover. For all other rack arms the cover is sold separately - to order cover assembled with rack arms add "-A".

- Made of galvanized steel
- Used to support cables in manholes
- Rack arms available in three different sizes

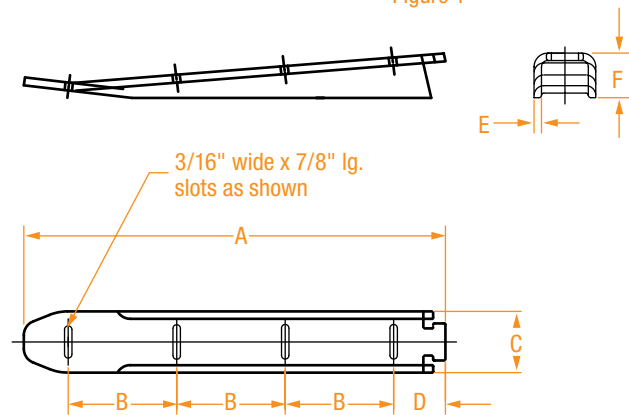


PART NUMBER	# OF SLOTS	DIMENSIONS IN INCHES						
		A	B	C	D	E	F	G
003-0346	1	4	9	—	6-3/4	1	2-29/32	3-1/4
003-0353	2	4	17-1/4	8	10	1	2-29/32	3-1/4
003-0379	2	4	19	10	10	1	2-29/32	3-1/4
003-0387	2	4	21	12	10	1	2-29/32	3-1/4
003-0395	3	4	25-3/4	8	23-1/4	1	2-29/32	3-1/4
003-0437	4	4	32	8	23-1/4	1	2-29/32	3-1/4
003-0445	4	4	39	10	30	1	2-29/32	3-1/4
003-0452	4	4	45	12	30	1	2-29/32	3-1/4
003-0460*	6	4	48	8	23-1/4 & 16*	1	2-29/32	3-1/4
003-0478*	6	4	59	10	20 & 29-1/2*	1	2-29/32	3-1/4

* Two "D" dimensions are given because there are three mounting holes. The first dimension is from the top hole to the center mounting hole. The second dimension is from the center hole to the bottom mounting hole.

- Made from galvanized steel channel
- Epoxy coated
- Fits standard cable racks

Figure 1



PART NUMBER	# OF SLOTS	DIMENSIONS IN INCHES					
		A	B	C	D	E	F
SRA-4	2	4-1/2	2-1/4	1-1/2	1-7/16	3/16	1-1/4
SRA-7	3	8	2-3/4	1-1/2	1-1/4	3/16	1-1/4
SRA-10*	4	10-11/16	2-3/4	1-1/2	1-5/16	3/16	1-1/8
SRA-14	5	14-1/2	2-3/4	1-1/2	2-1/2	3/16	1-5/8

* This size has one 1/2" diameter hole between the 2nd and 3rd slots.

- Designed to provide a permanently installed waterproof 115V NEMA 5-15R receptacle for underground application
- Constructed with 2 ft. of 2/0 copper wire for connection to the 115V source and 2 lengths of #12 wire for the neutral and ground
- Preassembled internal connection to the receptacle is enclosed in a polyurethane potting material to prevent oil or water infiltration through the wire strands
- The 2/0 hot leg is designed to provide a rigid but bendable support for the entire receptacle
- The cap is sealed water tight with 2 Buna-N O-rings. A deep grooved finish on both the cap and body affords positive grip even when wearing dielectric gloves.
- Connection to the 115V source can be accomplished with a mechanical vise connector or compression sleeve onto an available crab leg. Ground and neutral connections can utilize a mechanical vise connector or compression terminal lug.



PART NUMBER	LENGTH OF 4/0 SOURCE CABLE (INCHES)	LENGTH OF #12 NEUTRAL AND GROUND CABLES (INCHES)
PTP-1	12	24

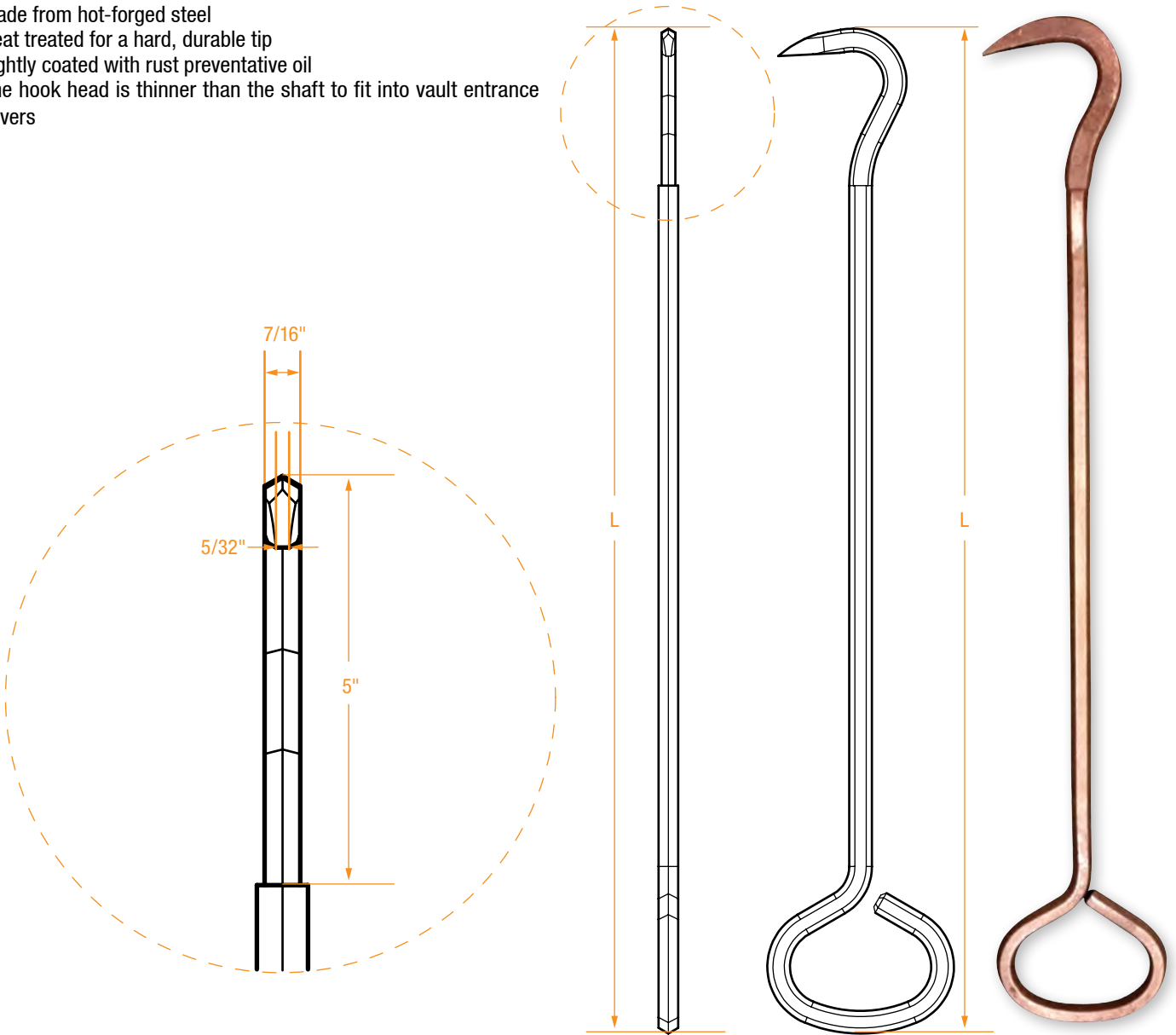
* Ends of Neutral and Ground wires can be connected to using a 4/0 crimp connector.

LIFTING HOOKS

RLH Series

- Made from hot-forged steel
- Heat treated for a hard, durable tip
- Lightly coated with rust preventative oil
- The hook head is thinner than the shaft to fit into vault entrance covers

UNDERGROUND EQUIPMENT



PART NUMBER	L
RLH-1	24
RLH-2	28
RLH-3	32
RLH-4	36

INSULATED T-WRENCH

- Insulated T-Wrench is commonly used to work on Network Protectors
- Layer of red insulation underneath black top-coat of insulation provides visual indication of worn or damaged insulation
- Allows work to be performed at a great distance than by doing the same operation by hand



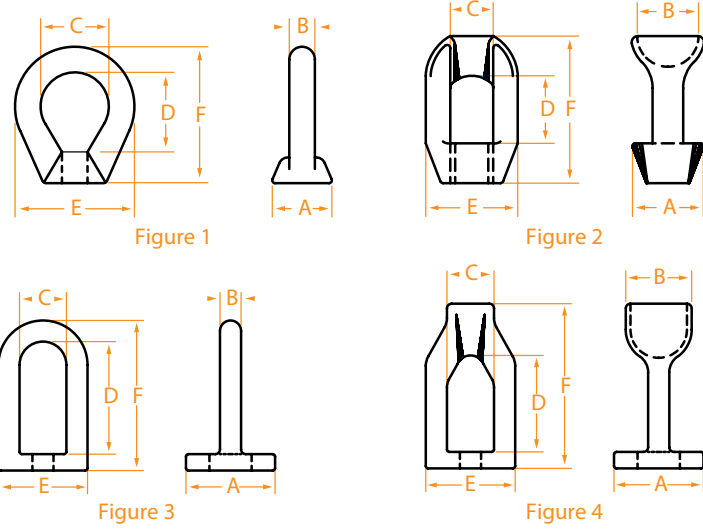
PART NUMBER	DESCRIPTION
312-1903-00	INSULATED T-WRENCH, 3/4" x 32"
312-1903-10	INSULATED T-WRENCH, 3/4"x 53 1/2"
312-1903-20	INSULATED T-WRENCH, 3/4" x 36"
312-1903-30	INSULATED T-WRENCH, 3/4" x 22"
312-1903-40	INSULATED T-WRENCH, 3/4" x 34"
312-1947-00	INSULATED T-WRENCH, 9/16" x 32"
312-1947-40	INSULATED T-WRENCH, 9/16" x 34"

Pole Line Hardware



Pole Line Hardware	Series	Page
Eyelets.....	RENUT Series.....	141
“J” Hooks.....	RJH Series.....	142
Single-Position Equipment Brackets.....	LPB Series.....	143
Grid Gains & Crossarm Gains.....	RGG & RCG Series.....	144
Crossarm Support Gains.....	RCSG Series.....	145
Pole-Eye Plates.....	RPEP Series.....	146
Guy Hooks.....	RGH Series.....	147
Aerial Clamps.....	RAC Series.....	148
Turnbuckles.....	RTB Series.....	149
Pole-Top Extensions.....	RPTA Series.....	150
Three-Hole Messenger Clamps.....	RSC1204 Series.....	151
Heavy-Duty Messenger Clamps.....	RHDC Series.....	152
Swivel Nuts.....	SN Series.....	153

- Tapped oversized for easy assembly
- Made from ductile iron or forged steel
- Some available forged for additional strength



PART NUMBER	FIGURE	BOLT DIA	DIMENSIONS IN INCHES					
			A	B	C	D	E	F
RENUT-1*	1	5/8	1-3/8	9/16	1-1/2	1-3/4	2-5/8	3
RENUT-2	1	3/4	1-3/8	9/16	1-1/2	1-3/4	2-5/8	3
RTMBL-1	2	5/8	1-1/2	1-1/2	7/8	1-3/8	1-7/8	3
RTMBL-2	2	3/4	1-1/2	1-1/2	7/8	1-3/8	1-7/8	3
RBLTE-1	3	5/8	2-3/8	9/16	1-1/4	3	2-3/8	4
RBLTE-2	3	3/4	2-3/8	9/16	1-1/4	3	2-3/8	4
RTMBE-1*	4	5/8	2-3/8	1-1/2	1-1/4	2-9/16	2-3/8	4
RTMBE-2	4	3/4	2-3/8	1-1/2	1-1/4	2-9/16	2-3/8	4-3/8

POLE LINE HARDWARE

* RUS Approved.

- Made of steel or bronze

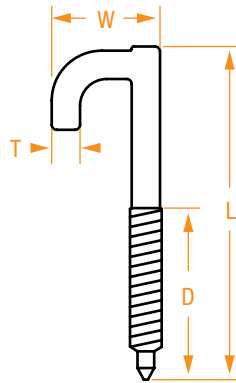


Figure 1

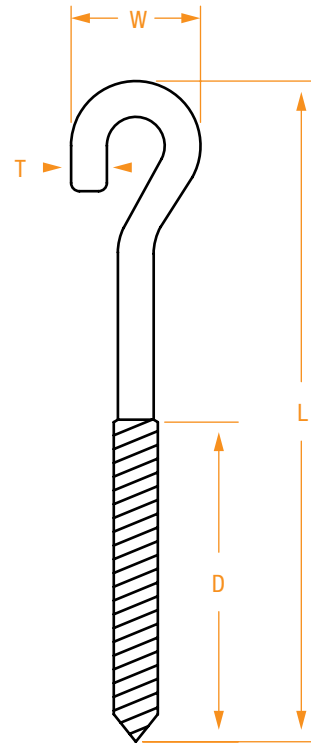
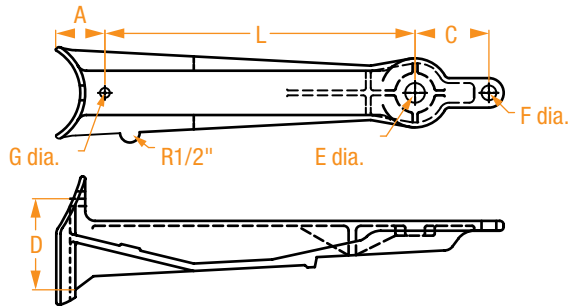


Figure 2



PART NUMBER	MATERIAL	FIGURE	DIMENSIONS IN INCHES			
			L	W	T	D
RJH18666	Steel	1	5	1-9/16	7/16	2-1/2
RJH18667	Bronze	2	6	1-1/4	3/8	2-7/8
RJH18668	Steel	2	6	1-1/4	3/8	3
RJH18669	Steel	2	5	1-1/2	3/8	2-5/8
RJH18670	Steel	2	9	1-1/2	3/8	3

- Designed for mounting pin or post-type insulators in vertical position
- Can support arresters and cutouts at the end of the bracket
- Made of malleable iron ASTMA197-47– hot-dipped galvanized



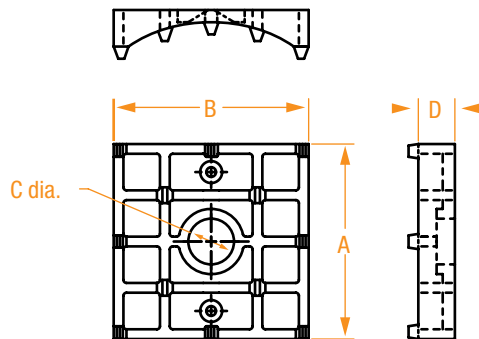
PART NUMBER	FIGURE	BOLT DIA.	DIMENSIONS IN INCHES						
			A	L	C	D	E	F	G
LPB622	1	5/8	2	15-1/2	4-1/2	4-1/2	13/16	11/16	1/2

FOR OTHER SIZES, CONTACT YOUR SALES REPRESENTATIVE OR THE FACTORY.

GRID GAINS & CROSSARM GAINS

RGG & RCG Series

- Reduces bolt slotting by spreading the applied load across a large area
- Fits a large range of pole diameters
- Reduces the chances of pole fires due to leakage current
- Made of malleable iron – hot-dipped galvanized

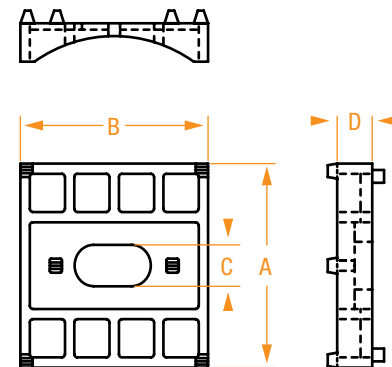


PART NUMBER	FIGURE	DIMENSIONS IN INCHES				POLE RANGE
		A	B	C	D	
RGG122	1	4	4	13/16	3/4	6-12
RGG122-15/16	1	4	4	15/16	3/4	6-12

GRID GAINS

Crossarm Gains

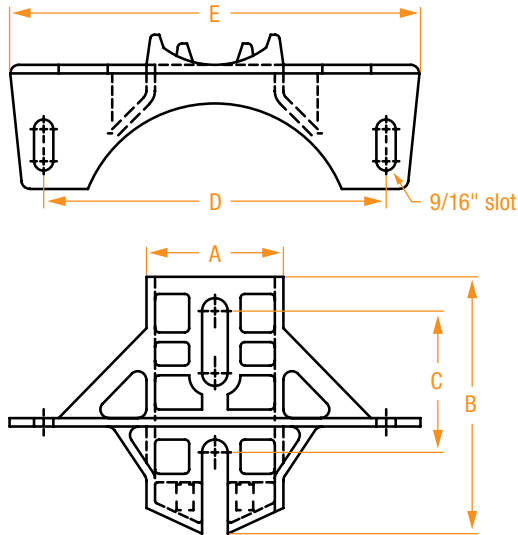
- Provides additional stability
- Reduces leakage current
- No wood-to-wood contact
- Accepts a range of crossarm sizes
- Made of malleable iron ASTMA197-47– hot-dipped galvanized



PART NUMBER	DIMENSIONS IN INCHES				POLE RANGE	MAX. BOLT	CROSSARM RANGE
	A	B	C	D			
RCG395	4	4	13/16	7/8	6-12	3/4	3 1/2 - 5 1/2

FOR OTHER SIZES, CONTACT YOUR SALES REPRESENTATIVE OR THE FACTORY.

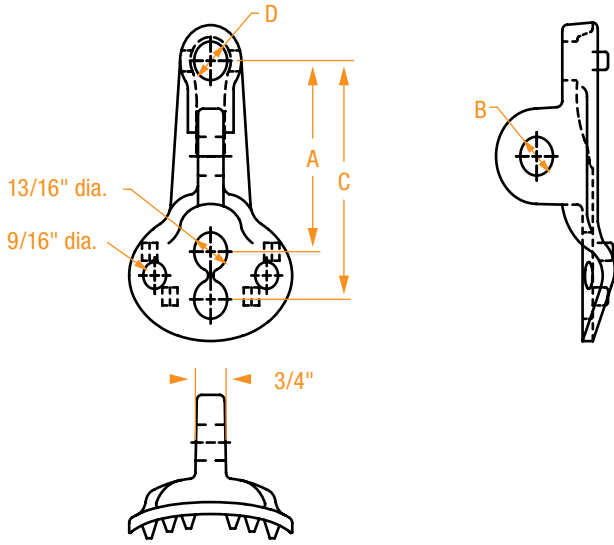
- No need for crossarm braces at capacitor and transformer installations, cable and corner poles
- Provides additional stability
- Improves appearance
- Made of malleable iron ASTMA197-47– hot-dipped galvanized



PART NUMBER	DIMENSIONS IN INCHES					POLE RANGE	MOUNTING BOLT		BOLT ON SHELF	CROSSARM RANGE
	A	B	C	D	E		TOP	BOTTOM		
RCSG182	4	7-1/2	6	10	12	6-12	3/4	5/8	9/16 x 1-1/2	3 1/2 - 6 1/2
RCSG182-1	4	7-1/2	6	10	12	6-12	3/4	5/8	9/16 x 2	3 1/2 - 6 1/2

FOR OTHER SIZES, CONTACT YOUR SALES REPRESENTATIVE OR THE FACTORY.

- Designed to allow any guy or dead-end angle up to 90°
- Will fit on any diameter pole
- Teeth on the back increase stability
- Made of hot-dipped galvanized ductile iron



POLE LINE HARDWARE

PART NUMBER	DIMENSIONS IN INCHES			
	A	B	C	D
RPEP88	4	13/16	5	13/16

- Increases the load that can be carried by the through bolt by applying the load in tension, rather than in shear
- The teeth on the back increase stability
- Allows easy installation of a guy loop or dead-end device
- Accepts a wide range of stranding diameters
- Can handle pull-off angles from 0 to 90°
- Made of hot-dipped galvanized ductile iron

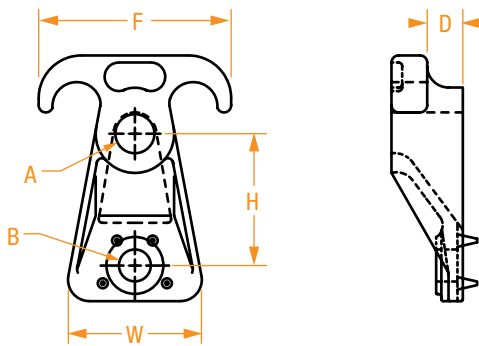


Figure 1

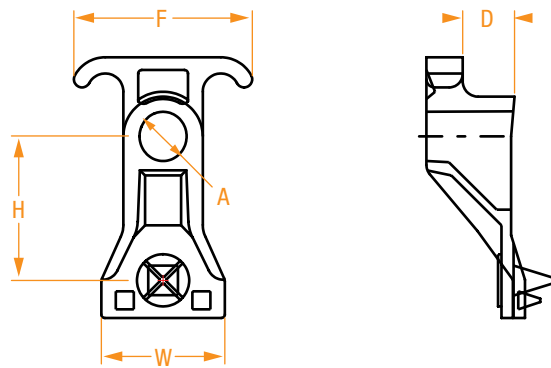


Figure 2

PART NUMBER	FIGURE	DIMENSIONS IN INCHES					MOUNTING HARDWARE		THIMBLE DIAMETER
		H	D	F	P	W	A	B	
RGH133	1	2-3/4	1/2	3-5/8	—	2-1/2	3/4	1/2	1-3/8
RGH133-AX	2	—	7/8	3-1/8	—	2-1/4	3/4	—	1-3/8
RGH135	1	2-3/4	7/8	3-3/4	—	2-1/2	5/8	1/2	1-3/8

- Designed for attaching small aerial cable and triplex
- The body is tapped to insure proper clamping
- Teeth on the back increase stability and resist down slotting
- Made of malleable iron ASTMA197-47– hot-dipped galvanized

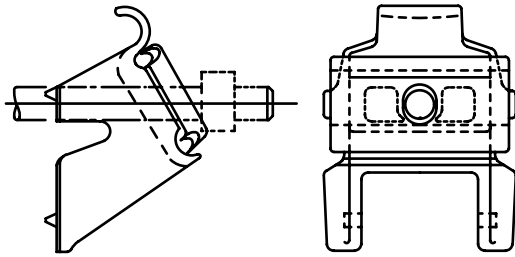


Figure 1

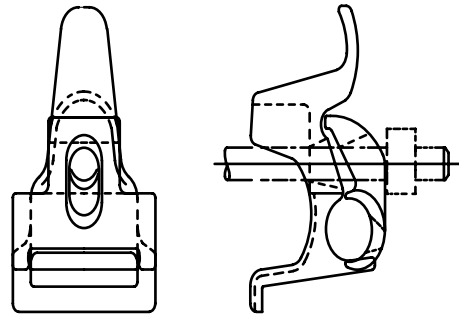
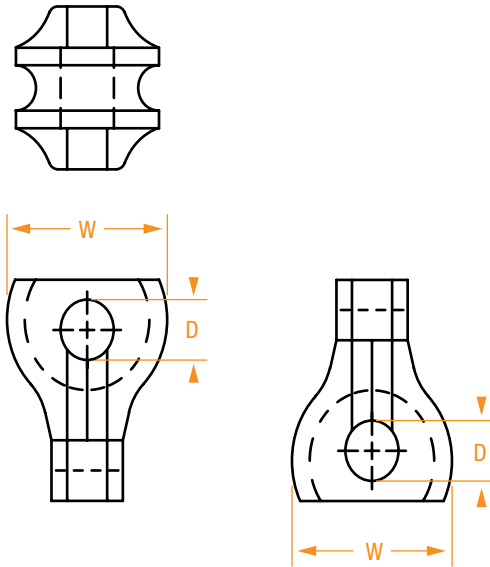


Figure 2

PART NUMBER	FIGURE	MESSENGER RANGE	GRD. WIRE GROOVE SIZE	CLEARANCE POLE TO MESSENGER	MTG. BOLT
RAC197A	1	.375 - .500	#6 AWG - 1/4	1-1/2	5/8
RAC336	2	.43 - .80	—	1-1/2	5/8

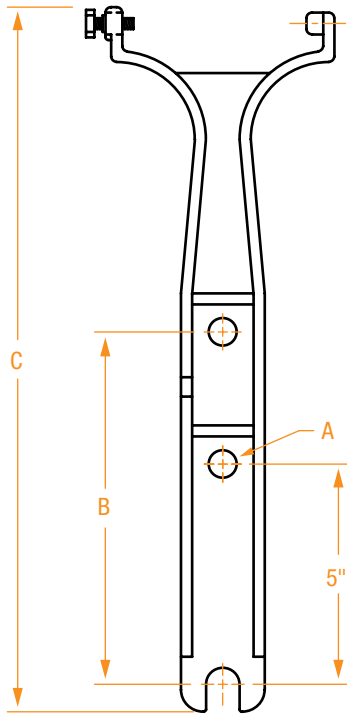
POLE LINE HARDWARE

- Designed to alleviate stress point when tying two guy wires together
- Made of malleable iron ASTM A197-47– hot-dipped galvanized



PART NUMBER	DIMENSIONS IN INCHES	
	W	D
RTB071330	2-1/2	3/4

- Design aids in dampening vibrations and permits inline grade variations
- Made of malleable iron ASTMA197-47– hot-dipped galvanized



PART NUMBER	MTG. BOLT A	DIMENSIONS IN INCHES	
		B	C
RPTA529	5/8	8	16

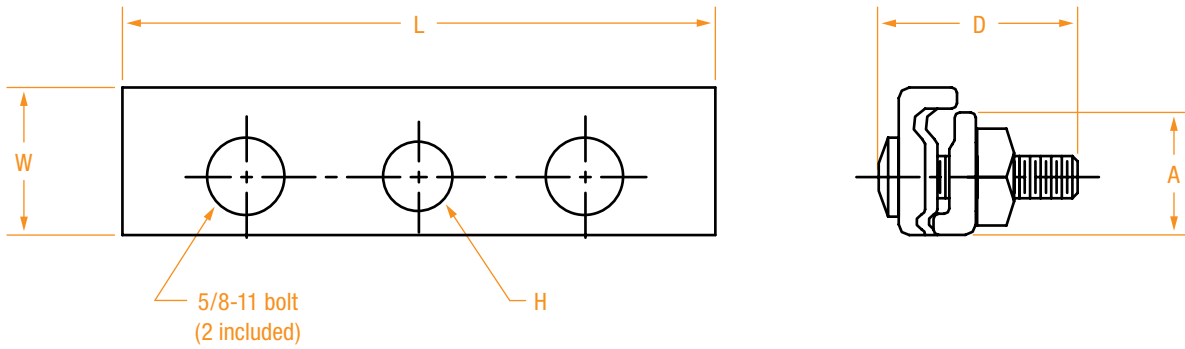
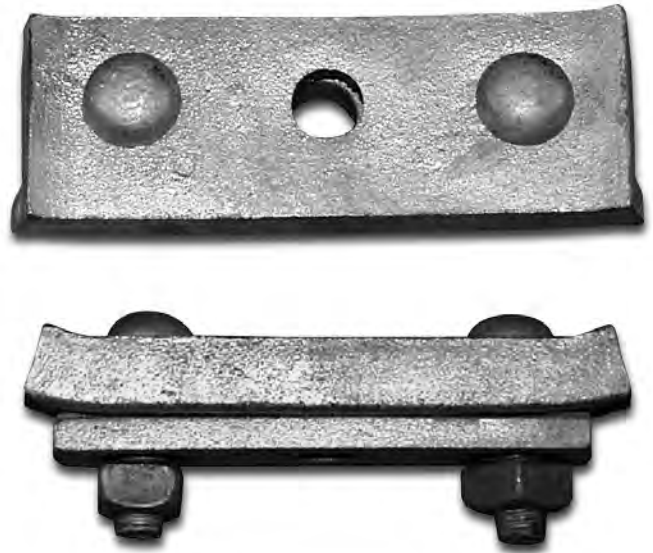
FOR OTHER SIZES, CONTACT YOUR SALES REPRESENTATIVE OR THE FACTORY.

POLE LINE HARDWARE

THREE-HOLE MESSENGER CLAMPS

RSC1204 Series

- Connects messenger cable to pole
- Made of hot-dipped galvanized ductile iron



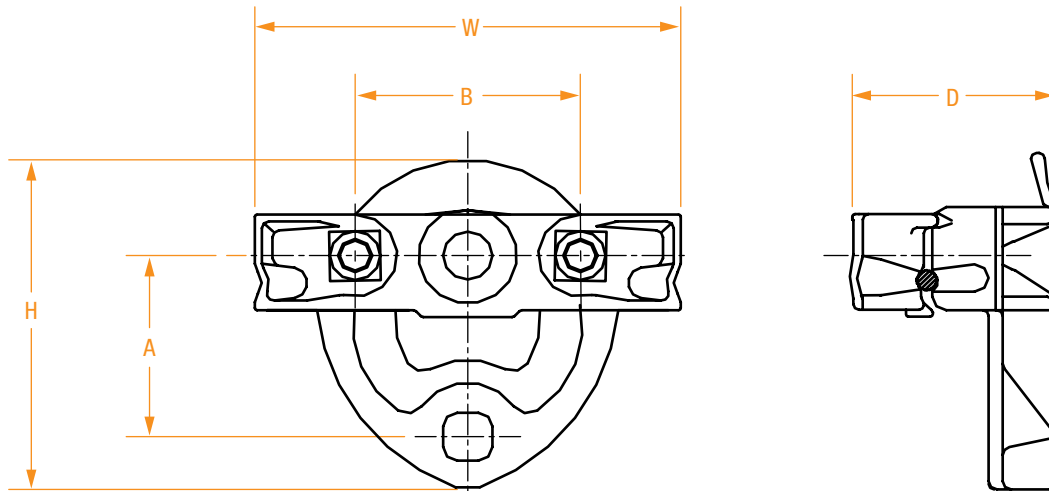
PART NUMBER	MESSENGER RANGE	DIMENSIONS IN INCHES				
		A	H	D	L	W
RSC1204	1/4 - 7/16	1-7/8	13/16	2-3/8	7	2-1/4

POLE LINE HARDWARE

HEAVY-DUTY MESSENGER CLAMPS

RHDC Series

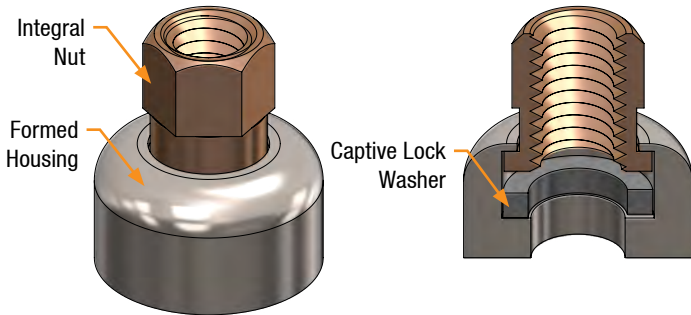
- Connects messenger cable to pole
- Made of hot-dipped galvanized ductile iron



PART NUMBER	MESSENGER RANGE	DIMENSIONS IN INCHES				
		H	A	B	W	D
RHDC176	5/16 - 1/2	6-1/4	3-1/4	4	7-3/8	3-11/16

POLE LINE HARDWARE

- Integral Hex Nut
- Captive Lock Washer
- Formed Housing Acts as Flat Washer
- Combination design saves time and facilitates easy installation



PART NUMBER	THREAD SIZE	NUT SIZE	MATERIAL DETAILS	COMMON APPLICATION(S)
SN-1/4-REL	1/4"-20	Thumb Screw	Zinc Plated Steel	Network Protector Relay
SN-1/2-SBR	1/2"-13	3/4" Hex	Silicon Bronze Nut, Stainless Steel Housing	Outdoor Electrical Equipment
SN-1/2-ZP	1/2"-13	3/4" Hex	Zinc Plated Steel	Indoor, Bus and Fuses
SN-3/8-GAL	3/8"-16	9/16"Hex	Galvanized Steel	Pole Line Hardware
SN-5/8-GAL	5/8"-11	1" Square	Galvanized Steel	Machine Bolts - Overhead Hardware
SN-3/4-GAL	3/4"-10	1-1/8" Square	Galvanized Steel	Machine Bolts - Overhead Hardware

POLE LINE HARDWARE

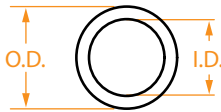
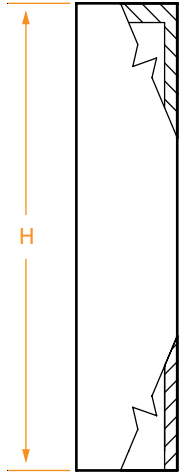
Rubber Products



Rubber Products

	Series	Page
Cable End Caps	CCAP Series	157
Insulated Connector Covers	348 Series	158
Wildlife Protectors – Plastic	RWP Series	159
Wildlife Protectors – Rubber	BG Series	160

- Made of ethylene propylene rubber
- Available in several different sizes

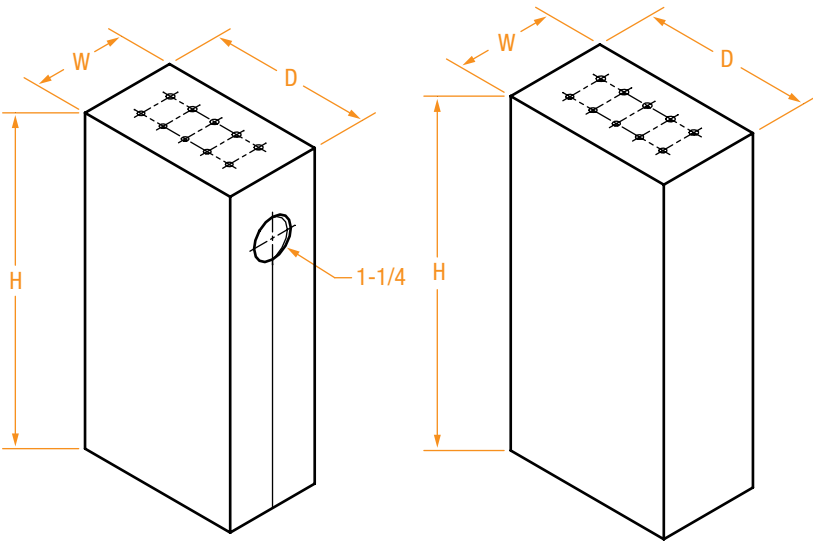


PART NUMBER *	WIRE SIZE	DIMENSIONS IN INCHES		
		H	OD	ID
CCAP348382	1/0	4-1/2	1	0.60
CCAP348300-B *	3/0	4-1/2	1-3/4	1.1875
CCAP4/0	4/0	2-1/2	1-1/4	.75
CCAP350	350	2-1/2	1-3/8	1
CCAP500	500	2-1/2	1-1/2	1.125
CCAP348383-B**	500	4-1/4	2	1
CCAP750	750	2-1/2	1-3/4	1.375
CCAP348301-B*	750	5-1/2	2-5/16	1.825

FOR OTHER SIZES, CONTACT YOUR SALES REPRESENTATIVE OR THE FACTORY.

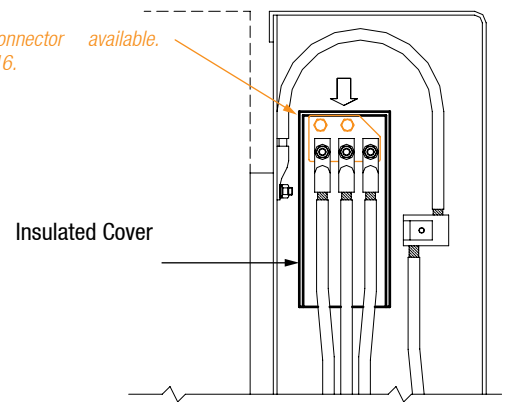
* "-B" indicates that the Cable End Cap comes with a tightening band for easy installation.
 ** Made for 4KV, marked "4KV DEAD AS ALIVE."

- Made from weather-resistant vinyl
- Insulates and protects electrical connections
- Available with or without a side split

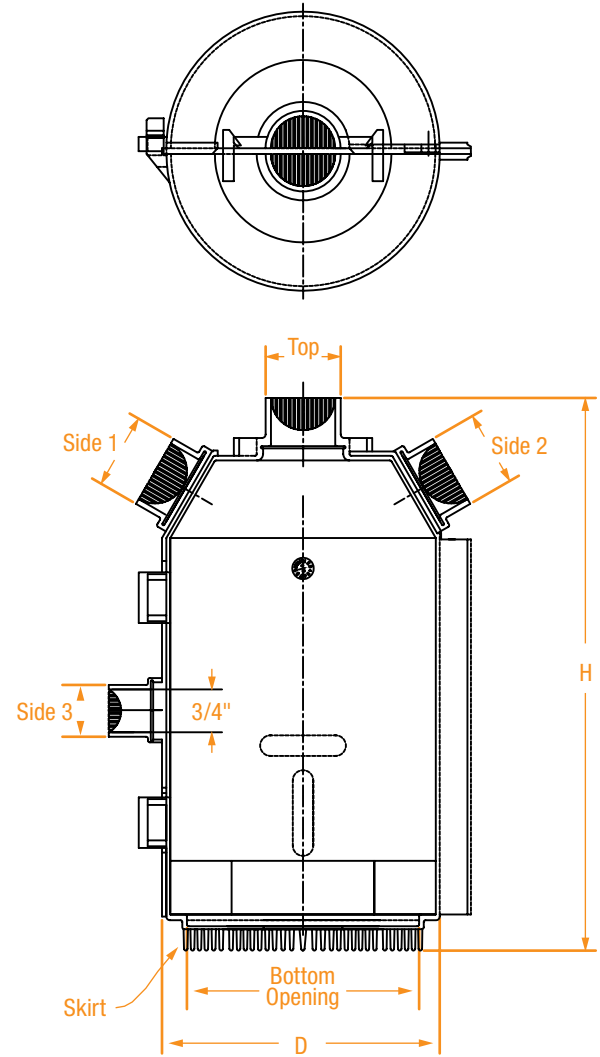
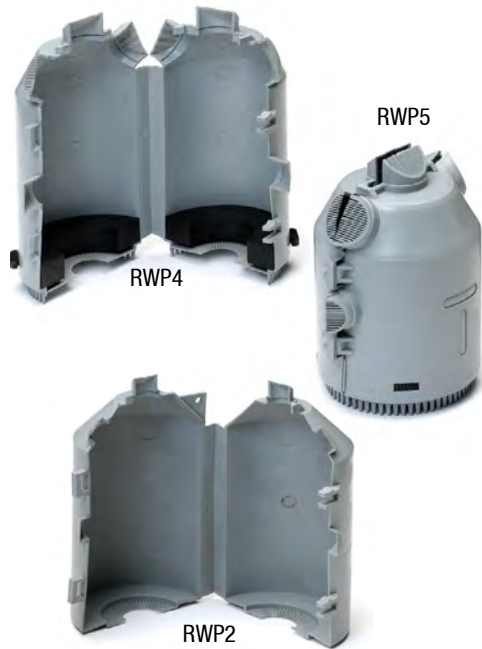


PART NUMBER	SIDE STYLE	DIMENSIONS IN INCHES		
		H	W	D
348458	Seamless	10	5	3
348311	Split	10	5	3

Pedestal Connector available. See page DE16.



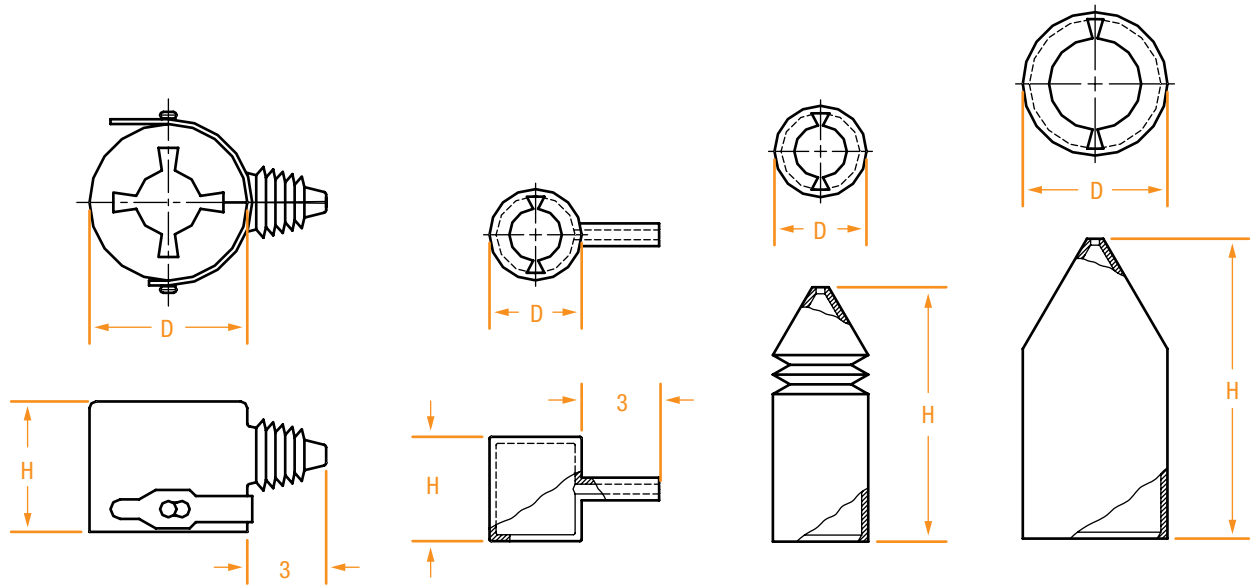
- Protects against accidental contact between wildlife and equipment bushings
- Track resistant per ASTM D 2303-97 standard test methods for liquid-contaminant, inclined-plane tracking and erosion of insulating materials
- Side and top snaps provide secure closure
- Knock outs on both sides for lightning arresters



PART NUMBER	DIMENSIONS IN INCHES		# OF CABLE PORTS	SIZE OF CABLE PORTS				
	H	D		Top	Side 1	Side 2	Side 3	Bottom
RWP2	9	4-3/4	3	3/4	3/4	3/4	—	2-1/2
RWP3*	9-1/2	4-3/4	4	1-1/8	1-1/8	1-1/8	3/4	2-1/2
RWP4*	9-1/2	4-3/4	4	1-5/16	1-5/16	1-5/16	15/16	2-1/2
RWP5	7	4-3/4	4	1-5/16	1-5/16	1-5/16	15/16	2-1/2

* Comes with a "skirt" at the bottom and a rubber insert to firmly grip bushing.

- Used on transformers, reclosers and potheads
- Made of ethylene propylene rubber
- Highly resistant to ozone and ultraviolet light deterioration
- Track resistant
- Easy Installation
- 20+ year life expectancy
- Available slit for “HOT” installations



PART NUMBER	FIGURE	DIMENSIONS IN INCHES	
		H	D
BG30-EN*	1	4 7/8	5 7/8
BG554-5678*	2	4	3-1/2
BG13-8-18	2	5-1/2	4-1/4
BG30-S*	3	4	3-1/2
BG30	3	9-3/4	3-1/2
BG30-414	4	11-1/2	5-1/2
BG30-12	4	11-3/4	4-3/8
BG-RS0218	4	14-1/2	6

* Wildlife protector slit for “HOT” installations.

003-0346	134	312-3511-00	126	ALC9	38	ALCR15-	45
003-0353	134	350-CCR	111	ALC10	38	ALCR16-	45
003-0379	134	500-CCR	111	ALC11	38	ALCR18-	45
003-0387	134	750-CCR	111	ALC12	38	ALCR20-	45
003-0395	134	348311	158	ALC13	38	ALCR23-	45
003-0437	134	348458	158	ALC14	38	ALCR28-	45
003-0445	134	ACRN-5/8	90	ALC15	38	ALCR29-	45
003-0452	134	ACRN-5/8-CPS	90	ALC16	38	ALCRCD5-3	47
003-0460	134	AHLC-18-9	74	ALC18	38	ALCRCD7-	47
003-0478	134	AHLC-100-TN	74	ALC20	38	ALCRCD9-	47
4/0-CCR	111	AHLC-300-TN	74	ALC23	38	ALCRCD10-	47
237-1221-00	119	AHLC-397	76	ALC24	38	ALCRCD11-	47
237-1229-00	119	AHLC-700	74	ALC28	38	ALCRCD12-	47
237-1234-10	119	AL3-1/4	5	ALC29	38	ALCRCD13-	47
237-1245-00	119	AL3-2N	8	ALC30	38	ALCRCD14-	47
312-1200-00	119	AL5-1/4	5	ALC31	38	ALCRCD15-	47
312-1265-00	119	AL5-2N	8	ALC32	38	ALCRCD18-	47
312-1268-00	117	AL7-1/4	5	ALCCD5	39	ALCRCD23-	47
312-1269-00	117	AL7-2N	8	ALCCD7	39	ALCRCD28-	47
312-1270-00	119	AL8-2N	8	ALCCD8	39	ALCRCD29-	47
312-1311-00	117	AL9	5	ALCCD9	39	ALLS250	114
312-1315-00	117	AL9-2N	8	ALCCD10	39	ALLS500	114
312-1315-01	117	AL9-3/8	5	ALCCD11	39	ALLS750	114
312-1316-00	117	AL10	5	ALCCD12	39	ALS250	110
312-1330-00	117	AL10-2N	8	ALCCD13	39	ALS500	110
312-1903-00	138	AL10-3/8	5	ALCCD14	39	ALS750	110
312-1903-10	138	AL11	5	ALCCD15	39	ALT7	42
312-1903-20	138	AL11-2N	8	ALCCD16	39	ALT9	42
312-1903-30	138	AL11-3/8	5	ALCCD18	39	ALT9-7	42
312-1947-00	138	AL12	5	ALCCD20	39	ALT10	42
312-2562-00A	124	AL12-2N	8	ALCCD23	39	ALT10-9	42
312-2566-00A	124	AL12-3/8	5	ALCCD24	39	ALT11	42
312-3100-00	126	AL13	5	ALCCD28	39	ALT12	42
312-3110-00	125	AL14	5	ALCD1-2N	10	ALT12-10	42
312-3200-00	125	AL14-2N	8	ALCD2	7	ALT13	42
312-3201-00	125	AL15	5	ALCD3	7	ALT14	42
312-3202-00	125	AL15-2N	8	ALCD3-2N	10	ALT15	42
312-3203-00	125	AL15-4N	14	ALCD5	7	ALT15-9	42
312-3204-00	125	AL16	5	ALCD5-2N	10	ALT15-12	42
312-3205-00	125	AL16-2N	8	ALCD7	7	ALTT7	43
312-3208-00	125	AL16-5/8	5	ALCD7-2N	10	ALTT7-5	43
312-3209-00	125	AL18	5	ALCD8	7	ALTT9	43
312-3211-00	125	AL18-2N	8	ALCD8-2N	10	ALTT9-7	43
312-3250-00	125	AL18-4N	14	ALCD9	7	ALTT10	43
312-3251-00	125	AL18-5/8	5	ALCD9-2N	10	ALTT10-7	43
312-3252-00	125	AL20	5	ALCD10	7	ALTT10-8	43
312-3253-00	125	AL20-2N	8	ALCD10-2N	10	ALTT10-9	43
312-3254-00	125	AL20-5/8	5	ALCD11	7	ALTT12	43
312-3255-00	125	AL23	5	ALCD11-2N	10	ALTT12-9	43
312-3260-00	125	AL23-2N	8	ALCD12	7	ALTT12-10	43
312-3261-00	125	AL23-4N	14	ALCD12-2N	10	ALTT14-9	43
312-3263-00	125	AL23-5/8	5	ALCD13	7	ALTT14-10	43
312-3300-00	126	AL24	5	ALCD14	7	ALTT15	43
312-3301-00	126	AL24-2N	8	ALCD14-2N	10	ALTT15-9	43
312-3302-00	126	AL24-4N	14	ALCD15	7	ALTT15-10	43
312-3303-00	126	AL24-5/8	6	ALCD15-2N	10	ALTT15-12	43
312-3304-00	126	AL28	6	ALCD16	7	ALTT15-14	43
312-3305-00	126	AL28-2N	8	ALCD16-2N	10	ALTT18	43
312-3306-00	126	AL28-2N-W	8	ALCD18	7	ALTT18-9	43
312-3308-00	126	AL28-4N	14	ALCD18-2N	10	ALTT18-10	43
312-3309-00	126	AL28-5/8	6	ALCD23-2N	10	ALTT18-12	43
312-3310-00	126	AL28CR-4N	14	ALCD24-2N	10	ALTT18-14	43
312-3311-00	126	AL29-2N	8	ALCD28-2N	10	ALTT18-15	43
312-3500-00	126	AL29-4N	14	ALCR7-	45	ALTT23	44
312-3501-00	126	AL30-2N	8	ALCR9-	45	ALTT23-12	44
312-3502-00	126	AL31-2N	9	ALCR10-	45	ALTT23-14	44
312-3503-00	126	AL32-2N	9	ALCR11-	45	ALTT23-15	44
312-3506-00	126	ALC5	38	ALCR12-	45	ALTT23-18	44
312-3507-00	126	ALC7	38	ALCR13-	45	ALTT28	44
312-3508-00	126	ALC8	38	ALCR14-	45	ALTT28-12	44

ALTT28-14.....	44	BCASC2/0-45.....	79	CCL750.....	109	CCT16-9.....	56
ALTT28-15.....	44	BCASC2/0-E-45.....	79	CCLA4/0.....	108	CCT16-10.....	56
ALTT28-18.....	44	BCASC2/0-E-W.....	79	CCLA250.....	108	CCT16-13.....	56
ALTT28-23.....	44	BCASC2/0-E-W-45.....	79	CCLA300.....	108	CCT16-14.....	56
APT7.....	13	BCASC2/0-W.....	79	CCLA350.....	108	CCT16-15.....	56
APT9.....	13	BCASC2/0-W-45.....	79	CCLA400.....	108	CCT18.....	56
APT10.....	13	BCASC397.....	79	CCLA500.....	108	CCT18-9.....	56
APT12.....	13	BCASC397-45.....	79	CCLA7500.....	108	CCT18-10.....	56
APT15.....	13	BCASC397-E-45.....	79	CCLA-IN-500.....	107	CCT18-12.....	56
APT18.....	13	BCASC397-E-45-L.....	79	CCLA-IN-750-500.....	107	CCT18-13.....	56
APT23.....	13	BCASC397-L.....	79	CCLAP4/0.....	108	CCT18-15.....	56
APT28.....	13	BG13-8-18.....	160	CCLAP250.....	108	CCT18-16.....	56
AS4/0.....	102	BG30.....	160	CCLAP300.....	108	CCT20.....	56
AS500/3.....	102	BG30-12.....	160	CCLAP350.....	108	CCT20-10.....	56
AS500-5.....	102	BG30-414.....	160	CCLAP400.....	108	CCT20-12.....	56
ASC-2/0.....	78	BG30-EN.....	160	CCLAP500.....	108	CCT20-13.....	56
ASC-500.....	78	BG30-S.....	160	CCLAP750.....	108	CCT20-18.....	56
ASC-1000.....	78	BG554-5678.....	160	CCLF-12.....	111	CCT23.....	56
ASL3-2N.....	8	BG-RS0218.....	160	CCLF-15.....	111	CCT23-15.....	56
ASL5-2N.....	8	BHLC-100.....	75	CCLF-18.....	111	CCT23-18.....	56
ASL7-2N.....	8	BHLC-100-LI.....	75	CCLF-23.....	111	CCT28.....	56
ASL8-2N.....	8	BHLC-101.....	75	CCLP4/0.....	109	CCT28-18.....	56
ASL9-2N.....	8	BHLC-102.....	75	CCLP250.....	109	CCT28-20.....	56
ASL10-2N.....	8	BHLC-201.....	75	CCLP300.....	109	CCT28-23.....	56
ASL11-2N.....	8	BHLC-300.....	75	CCLP350.....	109	CJB4/0-4W.....	99
ASL12-2N.....	8	BHLC-400.....	75	CCLP500.....	109	CJB350-4W.....	99
ASL13-2N.....	8	BHLC-401.....	75	CCLP750.....	109	CJB500-4W.....	99
ASL14-2N.....	8	BIC4/0-4W.....	100	CCR3-2.....	58	CJB500-5W.....	99
ASL15-2N.....	8	BSC-2/0.....	78	CCR5.....	58	CJB750-5W.....	99
ASL16-2N.....	8	CB504-0530.....	129	CCR7.....	58	CJLP500-3W.....	104
ASL18-2N.....	8	CB570-2774.....	129	CCR8.....	58	CJLP500-5W.....	104
ASL20-2N.....	8	CB183053.....	129	CCR9.....	58	CJLP500-7W.....	104
ASL23-2N.....	8	CB396271.....	129	CCR10.....	58	CJLPS500-3W.....	104
ASL24-2N.....	8	CB396740.....	129	CCR11.....	58	CJLPS500-5W.....	104
ASL28-2N.....	8	CC3.....	52	CCR12.....	58	CL2-1/4.....	19
ASL28-2N-W.....	8	CC4.....	52	CCR13.....	58	CL2-1/4-P.....	27
ASL29-2N.....	8	CC5.....	52	CCR14.....	58	CL2-3/8.....	19
ASL30-2N.....	8	CC7.....	52	CCR15.....	58	CL2-5/16.....	19
ASL31-2N.....	9	CC8.....	52	CCR18.....	58	CL3-1/4.....	19
ASL32-2N.....	9	CC9.....	52	CCR23.....	58	CL3-1/4-P.....	27
ASLCD1-2N.....	10	CC10.....	52	CCR28.....	58	CL3-2N-1/4.....	21
ASLCD2.....	7	CC11.....	52	CCR29.....	58	CL3-2N-5/16.....	21
ASLCD3.....	7	CC12.....	52	CCT6-12.....	56	CL3-3/8.....	19
ASLCD3-2N.....	10	CC13.....	52	CCT9.....	56	CL3-3/8-P.....	27
ASLCD5.....	7	CC14.....	52	CCT9-3.....	56	CL3-5/16.....	19
ASLCD5-2N.....	10	CC15.....	52	CCT9-5.....	56	CL3-5/16-P.....	27
ASLCD7.....	7	CC16.....	52	CCT9-7.....	56	CL5-1/4.....	19
ASLCD7-2N.....	10	CC18.....	52	CCT9-8.....	56	CL5-1/4-P.....	27
ASLCD8.....	7	CC20.....	52	CCT10.....	56	CL5-1-66PS.....	32, 34
ASLCD8-2N.....	10	CC23.....	52	CCT10-3.....	56	CL5-2N.....	21
ASLCD9.....	7	CC28.....	52	CCT10-5.....	56	CL5-2N-1/4.....	21
ASLCD9-2N.....	10	CC29.....	52	CCT10-7.....	56	CL5-2N-5/16.....	21
ASLCD10.....	7	CC30.....	52	CCT10-8.....	56	CL5-2N-066.....	32, 34
ASLCD10-2N.....	10	CC32.....	52	CCT10-9.....	56	CL5-3/8.....	19
ASLCD11.....	7	CC33.....	52	CCT12.....	56	CL5-3/8-P.....	27
ASLCD11-2N.....	10	CC500.....	102	CCT12-7.....	56	CL5-5/16.....	19
ASLCD12.....	7	CCAP4/0.....	157	CCT12-8.....	56	CL5-5/16-P.....	27
ASLCD12-2N.....	10	CCAP350.....	157	CCT12-9.....	56	CL7.....	19
ASLCD13.....	7	CCAP500.....	157	CCT12-10.....	56	CL7-1/2-P.....	27
ASLCD13-2N.....	10	CCAP750.....	157	CCT13.....	56	CL7-1/4.....	19
ASLCD14-2N.....	10	CCAP348300-B.....	157	CCT13-7.....	56	CL7-1/4-P.....	27
ASLCD15-2N.....	10	CCAP348301-B.....	157	CCT13-8.....	56	CL7-2N.....	21
ASLCD16-2N.....	10	CCAP348382.....	157	CCT13-9.....	56	CL7-2N-1/4.....	21
ASLCD18-2N.....	10	CCAP348383-B.....	157	CCT13-10.....	56	CL7-2N-5/16.....	21
ASLCD23-2N.....	10	CCL4/0.....	109	CCT13-12.....	56	CL7-2N-066.....	32, 34
ASLCD24-2N.....	10	CCL250.....	109	CCT15.....	56	CL7-3/8.....	19
ASLCD28-2N.....	10	CCL300.....	109	CCT15-9.....	56	CL7-3/8-P.....	27
B3CC-4N.....	30	CCL350.....	109	CCT15-10.....	56	CL7-5/16.....	19
B4CC-4N.....	30	CCL400.....	109	CCT15-12.....	56	CL7-5/16-P.....	27
BCASC2/0.....	79	CCL500.....	109	CCT16.....	56	CL8.....	19

CL8-1/2-P	27	CL16-2N-P	29	CLLA300N	112	CR21	66
CL8-1/4	19	CL16-3/8	20	CLLA350-A	112	CR22	66
CL8-1/4-P	27	CL16-5/8	20	CLLA350N	112	CR23	66
CL8-2N-1/4	21	CL16-5/8-P	28	CLLA400-A	112	CR24	66
CL8-2N-5/16	21	CL16-P	28	CLLA400N	112	CR26	66
CL8-3/8	19	CL18	20	CLLA500-A	112	CR28	66
CL8-3/8-P	27	CL18-2N	22	CLLA500N	112	CR29	66
CL8-5/16	19	CL18-2N-P	29	CLLA750-A	112	CR30	66
CL8-5/16-P	27	CL18-4N	23	CLLA750N	112	CR31	66
CL9	19	CL18-5/8	20	CLLAP4/0-A	112	CR32	66
CL9-2N	21	CL18-5/8-P	28	CLLAP4/0N	112	CR33	66
CL9-2N-3/8	21	CL18-P	28	CLLAP250-A	112	CRA12-3	62
CL9-2N-5/16	21	CL20	20	CLLAP250N	112	CRA12-5	62
CL9-3/8	19	CL20-2N	22	CLLAP300-A	112	CRA12-7	62
CL9-3/8-P	27	CL20-2N-P	29	CLLAP300N	112	CRA12-8	62
CL9-5/16	19	CL20-5/8	20	CLLAP350-A	112	CRA12-9	62
CL9-5/16-P	27	CL20-5/8-P	28	CLLAP350N	112	CRA12-10	62
CL9-P	27	CL20-P	28	CLLAP400-A	112	CRA12-11	62
CL10	19	CL23	20	CLLAP400N	112	CRA15-3	62
CL10-2N	21	CL23-2N	22	CLLAP500-A	112	CRA15-5	62
CL10-2N-3/8	21	CL23-2N-P	29	CLLAP500N	112	CRA15-7	62
CL10-2N-P	29	CL23-3/4	20	CLLAP750-A	112	CRA15-9	62
CL10-3/8	19	CL23-3/4-P	28	CLLAP750N	112	CRA15-11	62
CL10-3/8-P	27	CL23-4N	23	CLLF-4/0	115	CRA15-12	62
CL10-5/16	19	CL23-5/8	20	CLLF-350	115	CRA15-13	62
CL10-5/16-P	27	CL23-5/8-P	28	CLLF-500	115	CRA15-14	62
CL10-P	27	CL23-P	28	CLLF-750	115	CRA18-3	62
CL11	20	CL28	20	CLLP4/0-A	113	CRA18-5	62
CL11-2N	21	CL28-2N	22	CLLP4/0-N	113	CRA18-7	62
CL11-2N-3/8	21	CL28-2N-1-3/4	22	CLLP250-A	113	CRA18-8	62
CL11-2N-P	29	CL28-2N-P	29	CLLP250-N	113	CRA18-9	62
CL11-3/8	20	CL28-3/4	20	CLLP300-A	113	CRA18-10	62
CL11-3/8-P	28	CL28-3/4-P	28	CLLP300-N	113	CRA18-11	62
CL11-5/16	19	CL28-4N	23	CLLP350-A	113	CRA18-13	62
CL11-5/16-P	27	CL28-5/8	20	CLLP350-N	113	CRA18-14	62
CL11-P	28	CL28-5/8-P	28	CLLP400-A	113	CRA18-15	62
CL12	20	CL28-P	28	CLLP400-N	113	CRA18-16	62
CL12-1/2-P	28	CL29-2N	22	CLLP500-A	113	CRA23-12	62
CL12-2N	21	CL29-4N	23	CLLP500-N	113	CRA23-15	62
CL12-2N-3/8	21	CL30-2N	22	CLLP750-A	113	CRA23-16	62
CL12-2N-P	29	CL30-2N-P	29	CLLP750-N	113	CRA23-18	62
CL12-3/8	20	CL30-3/4-P	28	CPT5	33	CRA23-20	62
CL12-3/8-P	28	CL30-4N	23	CPT5-90	33	CSL5-2N	21
CL12-5/16	20	CL30-4N-P	29	CPT9	33	CSL7-2N	21
CL12-5/16-P	28	CL32-2N	22	CPT9-90	33	CSL9-2N	21
CL13	20	CL32-2N-P	29	CPT10	33	CSL10-2N	21
CL13-2N	21	CL32-3/4-P	28	CPT12	33	CSL11-2N	21
CL13-2N-3/8	21	CL32-4N	23	CPT12-90	33	CSL12-2N	21
CL13-2N-P	29	CL32-4N-P	29	CPT15	33	CSL13-2N	21
CL13-3/8	20	CL33-4N	23	CPT15-90	33	CSL14-2N	22
CL13-3/8-P	28	CL371885	23	CPT18	33	CSL15-2N	22
CL13-5/16	20	CLL4/0-A	113	CPT18-90	33	CSL16-2N	22
CL13-P	28	CLL4/0-N	113	CR3	66	CSL18-2N	22
CL14	20	CLL250-A	113	CR4	66	CSL20-2N	22
CL14-2N	22	CLL250-N	113	CR5	66	CSL23-2N	22
CL14-2N-3/8	22	CLL300-A	113	CR6	66	CSL28-2N	22
CL14-2N-P	29	CLL300-N	113	CR7	66	CSL28-2N-1-3/4	22
CL14-3/8	20	CLL350-A	113	CR8	66	CSL29-2N	22
CL14-5/8-P	28	CLL350-N	113	CR9	66	CSL30-2N	22
CL14-P	28	CLL400-A	113	CR10	66	CSL32-2N	22
CL15	20	CLL400-N	113	CR11	66	ES-750	118
CL15-2N	22	CLL500-A	113	CR12	66	FD3	67
CL15-2N-3/8	22	CLL500-N	113	CR13	66	FD5	67
CL15-2N-P	29	CLL750-A	113	CR14	66	FD6	67
CL15-3/8	20	CLL750-N	113	CR15	66	FD7	67
CL15-5/8-P	28	CLLA4/0-A	112	CR16	66	FD8	67
CL15-P	28	CLLA4/0N	112	CR17	66	FD9	67
CL16	20	CLLA250-A	112	CR18	66	FD10	67
CL16-2N	22	CLLA250N	112	CR19	66	FD11	67
CL16-2N-3/8	22	CLLA300-A	112	CR20	66	FD12	67

FD13	67	LLS4/0	114	OATCR5-	46	OTCCR9-	61
FD14	67	LLS500	114	OATCR7-	46	OTCCR10-	61
FD15	67	LLS750	114	OATCR8-	46	OTCCR11-	61
FD16	67	LLS750-2	114	OATCR9-	46	OTCCR12-	61
FD17	67	LPB622	143	OATCR10-	46	OTCCR13-	61
FD18	67	LS-2PC-500	110	OATCR11-	46	OTCCR14-	61
FD19	67	LS-2PC-750	110	OATCR12-	46	OTCCR15-	61
FD20	67	LS-250	110	OATCR13-	46	OTCCR18-	61
FD21	67	ML8-10	30	OATCR14-	46	OTCCR23-	61
FJB4/0-2W	99	ML13-18	30	OATCR15-	46	OTCCR28-	61
FJB4/0-3W	99	MT18-12-N	34	OATCR18-	46	OTCCR29-	61
FJB4/0-4W	99	MT18-N	34	OATCR23-	46	PC371105	89
FJB500-2W	99	MT23-18-N	34	OATCR28-	46	PTP-1	136
FJB500-3W	99	MT23-N	34	OATCR29-	46	R07-1285	91
FJB500-4W	99	NF-2	127	OCC3	54	R124214	85
FJI4/0-2W	100	NF-3	127	OCC5	54	RA-1W	133
FJI4/0-3W	100	NF-4	127	OCC7	54	RA-1W-90	133
FJI4/0-4W	100	NF-5	127	OCC8	54	RA-2W	133
FJI4/0-5W	100	NF-6	127	OCC9	54	RA-2W-90	133
FJI4/0-6W	100	NF-7	127	OCC10	54	RA-2W-C	133
FJI500-(2)4/0	100	NF-10	127	OCC11	54	RA-3W	133
FJI500-2W	100	NPF-11-L	123	OCC12	54	RA-3W-90	133
FJI500-3W	100	NPF-15-L	123	OCC13	54	RA-3W-C	133
FJI500-4W	100	NPF-22.5-L	123	OCC14	54	RAC197A	148
FJI500-5W	100	NPF-22.5-Q	122	OCC15	54	RAC336	148
FJI500-6W	100	NPF-25-L	123	OCC16	54	RAFOB-6045	92
FJI500-U	100	NPF-25-Q	122	OCC18	54	RAFOB-6050	92
FJI750-2W	100	NPF-30-L	123	OCC20	54	RAFOB-6055	92
FJI750-3W	100	NPF-30-Q	122	OCC23	54	RAFOB-6065	92
FJI750-4W	100	NPF-37.5-L	123	OCC24	54	RAFOB-6080	92
FJI750-5W	100	NPF-37.5-Q	122	OCC28	54	RAFOB-6085	92
HD3	68	NPF-44-L	123	OCC29	54	RAFOB-6100	92
HD5	68	NPF-44-Q	122	OCCR3-2	60	RB319	86
HD6	68	NPF-50-L	123	OCCR5-	60	RB319-NTN	86
HD7	68	NPF-50-Q	122	OCCR7-	60	RB341	86
HD8	68	NPT500A	117	OCCR8-	60	RB341-NTN	86
HD9	68	NPT500B	117	OCCR9-	60	RB563	86
HD10	68	NPT523-0909	117	OCCR10-	60	RB563-NTN	86
HD11	68	NPT523-0925	117	OCCR11-	60	RBCLA4/0N	116
HD12	68	NSC-547	84	OCCR12-	60	RBCLA250N	116, 118
HD13	68	NWP-3	128	OCCR13-	60	RBCLA300N	116
HD14	68	NWP-4	128	OCCR14-	60	RBCLA350N	116
HD15	68	NWP-5	128	OCCR15-	60	RBCLA400N	116
HD16	68	NWP-6	128	OCCR18-	60	RBCLA500N	116
HD17	68	NWP-7	128	OCCR23-	60	RBCLA750N	116
HD18	68	OATC7	40	OCCR28-	60	RBLTE-1	141
HD19	68	OATC9	40, 41	OCCR29-	60	RBLTE-2	141
HD20	68	OATC10	40	OTCC3	55	RBWC-L-9	87
HD21	68	OATC11	40	OTCC5	55	RBWC-L-9-5	87
HD23	68	OATC12	40, 41	OTCC7	55	RBWC-L-9-7	87
HD24	68	OATC13	40, 41	OTCC8	55	RBWC-M-5/8-7	87
HD25	68	OATC14	40	OTCC9	55	RBWC-M-5/8-9	87
HD28	68	OATC15	40, 41	OTCC10	55	RCG395	144
HD32	68	OATC16	40	OTCC11	55	RCSG182	145
HDCL7-2N	24	OATC18	40, 41	OTCC12	55	RCSG182-1	145
HDCL8-2N	24	OATC20	40, 41	OTCC13	55	RDL-FA500	120
HDCL9-2N	24	OATC23	40, 41	OTCC14	55	RDL-FA750	120
HDCL10-2N	24	OATC24	40	OTCC15	55	RDL-UA500	120
HDCL11-2N	24	OATC28	40	OTCC16	55	RDL-US500	120
HDCL12-2N	24	OATC29	40	OTCC18	55	RDL-US750	120
HDCL13-2N	24	OATC30	40	OTCC20	55	RENUT-1	141
HDCL14-2N	24	OATC31	40	OTCC23	55	RENUT-2	141
HDCL15-2N	24	OATC32	40	OTCC28	55	RFB1	93
HDCL16-2N	24	OATCCD5	41	OTCC29	55	RFB2	93
HDCL18-2N	24	OATCCD7	41	OTCC30	55	RGG122	144
HDCL20-2N	24	OATCCD10	41	OTCC32	55	RGG122-15/16	144
HDCL23-2N	24	OATCCD11	41	OTCCR3-	61	RGH133	147
HDCL28-2N	24	OATCCD14	41	OTCCR5-	61	RGH133-AX	147
HTS-500	118	OATCCD16	41	OTCCR7-	61	RGH135	147
HTS-750	118	OATCR3-2	46	OTCCR8-	61	RHDC176	152

RJH18666.....	142	SAL7.....	3	SCC29.....	51	SN-3/8-GAL.....	153
RJH18667.....	142	SAL8.....	3	SCC30.....	51	SN-5/8-GAL.....	153
RJH18668.....	142	SAL9.....	3	SCC32.....	51	SRA-4.....	135
RJH18669.....	142	SAL9-2N.....	3	SCC33.....	51	SRA-7.....	135
RJH18670.....	142	SAL10.....	3	SCL3.....	17	SRA-10.....	135
RLH-1.....	137	SAL10-2N.....	3	SCL3-1/4.....	17	SRA-14.....	135
RLH-2.....	137	SAL11.....	3	SCL3-5/16.....	17	SSCRW10-12-1.....	131
RLH-3.....	137	SAL11-2N.....	3	SCL5.....	17	ST1.....	69
RLH-4.....	137	SAL12.....	3	SCL5-1/4.....	17	ST2.....	69
RML4/0.....	106	SAL12-2N.....	3	SCL5-3/8.....	17	ST3.....	69
RML500.....	106	SAL13.....	3	SCL7-1/4.....	17	ST5.....	69
RMLA4/0.....	106	SAL13-2N.....	3	SCL7-2(3/8).....	17	ST6.....	69
RMLA500.....	106	SAL14.....	3	SCL7-3/8.....	17	ST7.....	69
RMLSHELL-4/0.....	106	SAL14-2N.....	3	SCL7-5/16.....	17	ST8.....	69
RMLSHELL-500.....	106	SAL15.....	3	SCL7-390.....	17	ST9.....	69
RMLSLV-4/0.....	106	SAL15-2N.....	3	SCL8-5/16.....	17	ST10.....	69
RMLSLV-500.....	106	SAL16.....	3	SCL9-2(5/16).....	17	ST11.....	69
RPEP88.....	146	SAL16-2N.....	3	SCL9-3/8.....	17	ST12.....	69
RPTA529.....	150	SAL18.....	3	SCL9-5/16.....	17	ST13.....	69
RSC1204.....	151	SAL18-2N.....	3	SCL10.....	17	ST14.....	69
RSD262.....	82	SAL20.....	3	SCL10-2(1/4).....	17	ST15.....	69
RSD262C.....	82	SAL20-2N.....	4	SCL10-2(3/8).....	17	ST16.....	69
RSPTAP.....	84	SAL22.....	4	SCL10-2N.....	17	ST17.....	69
RSS3.....	65	SAL23-2N.....	4	SCL10-3/8.....	17	ST18.....	69
RSS5.....	65	SAL24.....	4	SCL11-2(3/8).....	17	ST19.....	69
RSS7.....	65	SAL24-2N.....	4	SCL11-2N.....	18	ST20.....	69
RSS8.....	65	SAL28.....	4	SCL11-3/8.....	17	ST21.....	69
RSS9.....	65	SAL28-2N.....	4	SCL12.....	18	ST22.....	69
RSS10.....	65	SAL30.....	4	SCL12-2N.....	18	ST23.....	69
RSS11.....	65	SAL30-2N.....	4	SCL12-3/8.....	18	ST24.....	69
RSS12.....	65	SAL32.....	4	SCL13.....	18	ST26.....	69
RSS13.....	65	SAL32-2N.....	4	SCL13-2N.....	18	ST28.....	69
RSS14.....	65	SALC3.....	37	SCL14.....	18	ST29.....	69
RSS15.....	65	SALC5.....	37	SCL14-2N.....	18	ST30.....	69
RSS16.....	65	SALC7.....	37	SCL15.....	18	ST31.....	69
RSS17.....	65	SALC8.....	37	SCL15-2N.....	18	ST32.....	69
RSS18.....	65	SALC9.....	37	SCL16.....	18	ST33.....	69
RSS19.....	65	SALC10.....	37	SCL16-2N.....	18	TAL5.....	11
RSS20.....	65	SALC11.....	37	SCL18.....	18	TAL7.....	11
RSS21.....	65	SALC12.....	37	SCL18-2N.....	18	TAL8.....	11
RSS22.....	65	SALC13.....	37	SCL20.....	18	TAL9.....	11
RSS23.....	65	SALC14.....	37	SCL20-2N.....	18	TAL9-2N.....	11
RSS24.....	65	SALC15.....	37	SCL23.....	18	TAL10.....	11
RSS25.....	65	SALC16.....	37	SCL23-2N.....	18	TAL10-2N.....	11
RSS26.....	65	SALC18.....	37	SCL28.....	18	TAL11.....	11
RSS27.....	65	SALC20.....	37	SCL28-2N.....	18	TAL11-2N.....	11
RSS28.....	65	SALC23.....	37	SCL28-4N.....	18	TAL12.....	11
RSS29.....	65	SALC24.....	37	SCL30.....	18	TAL12-2N.....	11
RSS30.....	65	SALC28.....	37	SCL30-2N.....	18	TAL13.....	11
RSS31.....	65	SALC29.....	37	SCL30-4N.....	18	TAL13-2N.....	11
RSS32.....	65	SALC30.....	37	SCL32.....	18	TAL14.....	11
RSS33.....	65	SALC31.....	37	SCL32-2N.....	18	TAL14-2N.....	11
RST-275.....	85	SALC32.....	37	SCL32-4N.....	18	TAL15.....	11
RST-356.....	85	SCC3.....	51	SDC495.....	83	TAL15-2N.....	11
RTB071330.....	149	SCC4.....	51	SEC3-12.....	83	TAL16-2N.....	12
RTG512.....	81	SCC5.....	51	SJ4/0-(6)1/0.....	105	TAL18-2N.....	12
RTG512-F.....	81	SCC7.....	51	SJ350AL-4/0-8W.....	105	TAL20-2N.....	12
RTG512-F-3/8.....	81	SCC8.....	51	SJ573-0171.....	105	TAL23-2N.....	12
RTG512-M.....	81	SCC9.....	51	SJ573-0346.....	105	TAL24-2N.....	12
RTG512-XL.....	81	SCC10.....	51	SJ573-0536.....	105	TAL28-2N.....	12
RTMBE-1.....	141	SCC11.....	51	SJ573-0551.....	105	TAL30-2N.....	12
RTMBE-2.....	141	SCC12.....	51	SJ573-0569.....	105	TAL32-2N.....	12
RTMBL-1.....	141	SCC13.....	51	SJ573-0668.....	105	TCC3.....	53
RTMBL-2.....	141	SCC14.....	51	SJ573-0676.....	105	TCC5.....	53
RWP2.....	159	SCC15.....	51	SJ573-0692.....	105	TCC7.....	53
RWP3.....	159	SCC16.....	51	SJ1420.....	105	TCC8.....	53
RWP4.....	159	SCC18.....	51	SN-1/2-SBR.....	153	TCC9.....	53
RWP5.....	159	SCC20.....	51	SN-1/2-ZP.....	153	TCC10.....	53
SAL3.....	3	SCC23.....	51	SN-1/4-REL.....	153	TCC11.....	53
SAL5.....	3	SCC28.....	51	SN-3/4-GAL.....	153	TCC12.....	53

TCC13.....	53	TCCT20-13.....	57
TCC14.....	53	TCCT20-18.....	57
TCC15.....	53	TCCT23.....	57
TCC16.....	53	TCCT23-15.....	57
TCC18.....	53	TCCT23-18.....	57
TCC20.....	53	TCCT28.....	57
TCC23.....	53	TCCT28-18.....	57
TCC28.....	53	TCCT28-20.....	57
TCC29.....	53	TCCT28-23.....	57
TCC30.....	53	TCL5.....	25
TCC32.....	53	TCL7.....	25
TCC33.....	53	TCL8.....	25
TCCR3-2.....	59	TCL9.....	25
TCCR5.....	59	TCL9-2N.....	25
TCCR7.....	59	TCL10.....	25
TCCR8.....	59	TCL10-2N.....	25
TCCR9.....	59	TCL11.....	25
TCCR10.....	59	TCL11-2N.....	25
TCCR11.....	59	TCL12.....	25
TCCR12.....	59	TCL12-2N.....	25
TCCR13.....	59	TCL13.....	25
TCCR14.....	59	TCL13-2N.....	25
TCCR15.....	59	TCL14.....	25
TCCR18.....	59	TCL14-2N.....	25
TCCR23.....	59	TCL15.....	25
TCCR28.....	59	TCL15-2N.....	26
TCCR29.....	59	TCL16-2N.....	26
TCCT9.....	57	TCL18-2N.....	26
TCCT9-3.....	57	TCL20-2N.....	26
TCCT9-5.....	57	TCL23-2N.....	26
TCCT9-7.....	57	TCL24-2N.....	26
TCCT9-8.....	57	TCL28-2N.....	26
TCCT10.....	57	TRSS-A200.....	130
TCCT10-3.....	57	TRSS-A201.....	130
TCCT10-5.....	57	TRSS-C100.....	130
TCCT10-7.....	57	TRSS-C101.....	130
TCCT10-8.....	57	TRSS-C102.....	130
TCCT10-9.....	57	TWJ4/0-5.....	101
TCCT12.....	57	TWJ500-3.....	101
TCCT12-7.....	57	TWJ500-5.....	101
TCCT12-8.....	57	TWJC4/0.....	103
TCCT12-9.....	57	TWJC500-3.....	103
TCCT12-10.....	57	TWJC500-5.....	103
TCCT13.....	57	TWJS4/0.....	103
TCCT13-7.....	57	TWJS500-3.....	103
TCCT13-8.....	57	TWJS500-5.....	103
TCCT13-9.....	57	VC3.....	73
TCCT13-10.....	57	VC3-H.....	80
TCCT13-12.....	57	VC5.....	73
TCCT15.....	57	VC5-H.....	80
TCCT15-9.....	57	VC7.....	73
TCCT15-10.....	57	VC7-H.....	80
TCCT15-12.....	57	VC10.....	73
TCCT16.....	57	VC10S.....	73
TCCT16-9.....	57	VC10S-H.....	80
TCCT16-10.....	57	VC12.....	73
TCCT16-12.....	57	VC12-H.....	80
TCCT16-13.....	57	VC15.....	73
TCCT16-14.....	57	VC18.....	73
TCCT16-15.....	57	VC-8002.....	88
TCCT18.....	57	VC-8010.....	88
TCCT18-9.....	57	VC-8020.....	88
TCCT18-10.....	57	VC-8058-SH.....	88
TCCT18-12.....	57	ZE.....	117
TCCT18-13.....	57		
TCCT18-15.....	57		
TCCT18-16.....	57		
TCCT20.....	57		
TCCT20-10.....	57		
TCCT20-12.....	57		



517 Lyons Avenue, Irvington, NJ 07111
973.371.1771 | www.Richards-Mfg.com