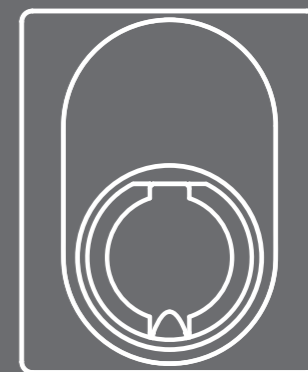


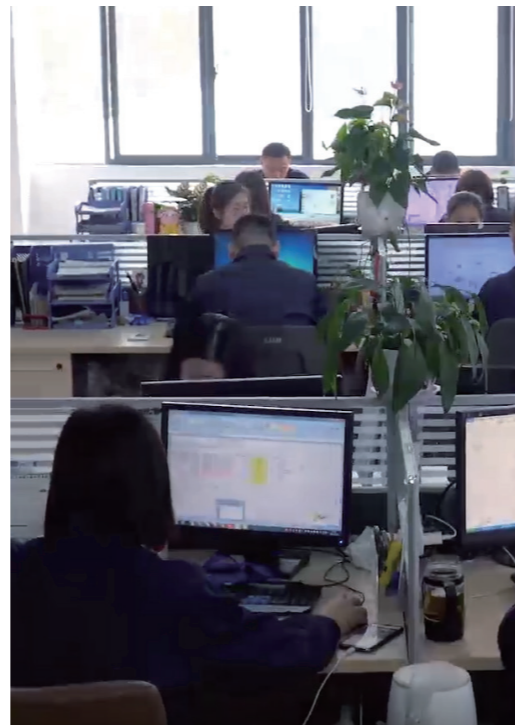
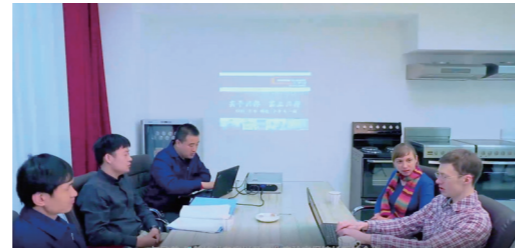


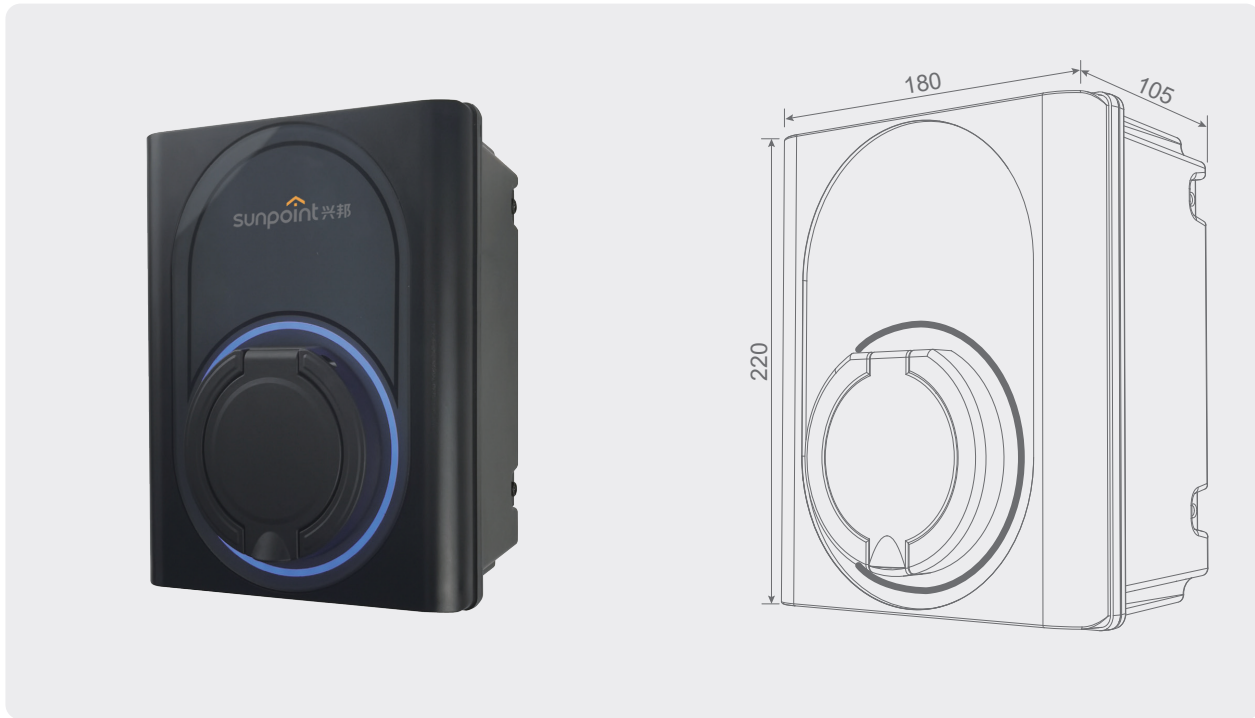
# EV CHARGER



# XINGBANG ELECTRIC

Qingdao Xingbang Group is located in the beautiful Qingdao, China. It is a group enterprise integrating design, research and developing, manufacturing and sales of kitchen appliances&new energy product. Since its establishment in 1995, it has continued to grow and develop. Qingdao XingBang Group who have three manufacturing factories which cover area about 250,000 square meters and employ 2,000 staff and professional R&D team and high-tech technical team and strict production & inspection team and excellent sales and service team. Around the world, the products are sold to more than 100 countries and regions around the world. This year we are also planning to build the fourth manufacturing factory and continue to expand our strength and a higher reputation in the same industry.





### EST1S-\*\* Series



#### Technical Specification

Model Number	<b>EST1S-32</b>
Ac power	1P+N+PE
Voltage (V)	AC 220 - 240V
Frequency (Hz)	50/60
Operating Temperature	-25°C to +50°C
Rated Current	up to 32A max
Incoming Cable Terminals	3 x 16mm <sup>2</sup> terminals
Over Current Protection	Recommended 35.5A
Charging Socket	IEC 62196 (Type 2)
AC & DC Fault Protection	30mA Type A+ 6mA DC sensitive protective device

#### Feature



- IP54
- LED charging status indicator
- AC & DC Fault Protection
- Over Current Protection
- Ground protection
- Surge protection
- Over/Under voltage protection
- Over temperature Protection



### EST3S-\*\* Series



#### Technical Specification

Model Number	<b>EST3S-32</b>
Ac power	3P+N+PE
Voltage (V)	AC380V~450V
Frequency (Hz)	50/60
Operating Temperature	-25°C to +50°C
Rated Current	up to 32A max
Incoming Cable Terminals	5 x 16mm <sup>2</sup> terminals
Over Current Protection	Recommended 35.5A
Charging Socket	IEC 62196 (Type 2)
AC & DC Fault Protection	30mA Type A+ 6mA DC sensitive protective device

#### Feature



- IP54
- LED charging status indicator
- AC & DC Fault Protection
- Over Current Protection
- Ground detection
- Surge protection
- Over/Under voltage protection
- Over temperature Protection

#### Optional

- APP (TUYA)
- Card start
- PEN protection



**EST1S-\*\*10 Series**



**Technical Specification**

Model Number	<b>EST1S-3210</b>
Ac power	1P+N+PE
Voltage (V)	AC 220 - 240V
Frequency (Hz)	50/60
Operating Temperature	-25°C to +50°C
Rated Current	up to 32A max
Incoming Cable Terminals	3 x 16mm <sup>2</sup> terminals
Over Current Protection	Recommended 35.5A
Charging Socket	IEC 62196 (Type 2)
AC & DC Fault Protection	30mA Type A+ 6mA DC sensitive protective device

**Feature**



- IP54
- LED charging status indicator
- AC & DC Fault Protection
- Over Current Protection
- Tuya App
- Ground detection
- Surge protection
- Over/Under voltage protection
- Over temperature Protection
- OCCP 1.6 Ethernet

**Optional**

- PEN protection



**EST3S-\*\*10 Series**



**Technical Specification**

Model Number	<b>EST3S-3210</b>
Ac power	3P+N+PE
Voltage (V)	AC380V~450V
Frequency (Hz)	50/60
Operating Temperature	-25°C to +50°C
Rated Current	up to 32A max
Incoming Cable Terminals	5 x 16mm <sup>2</sup> terminals
Over Current Protection	Recommended 35.5A
Charging Socket	IEC 62196 (Type 2)
AC & DC Fault Protection	30mA Type A+ 6mA DC sensitive protective device

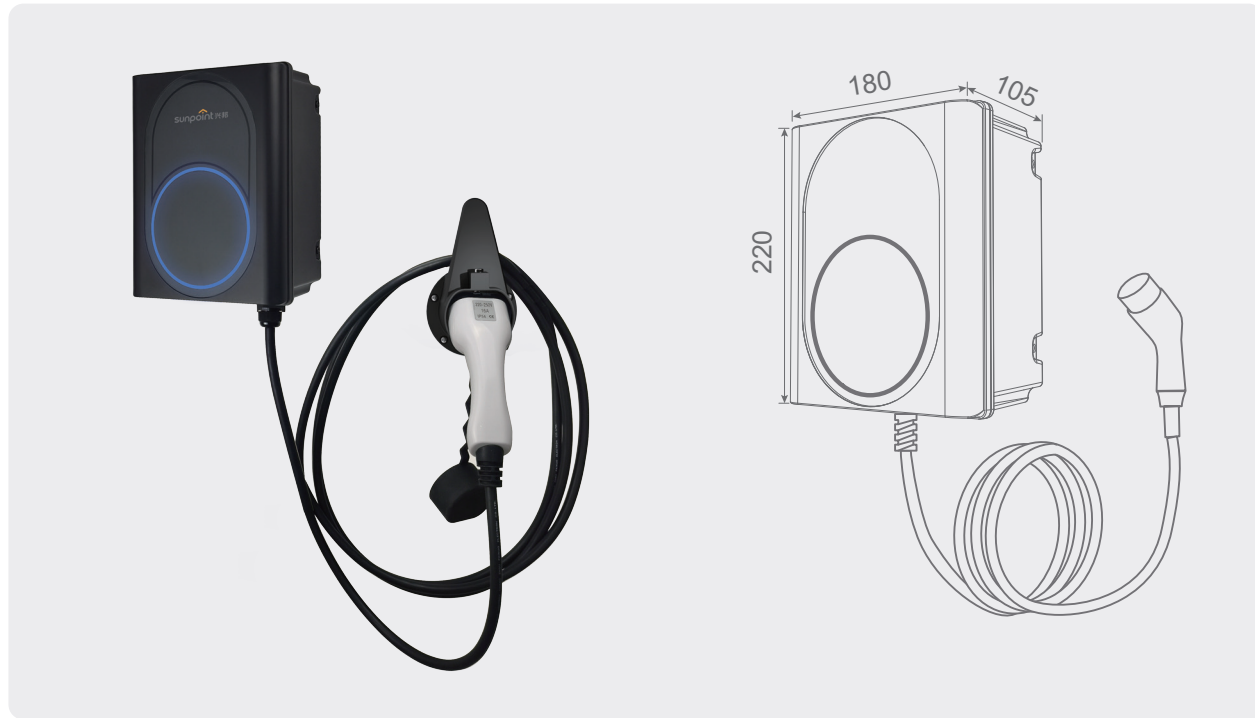
**Feature**



- IP54
- LED charging status indicator
- AC & DC Fault Protection
- Over Current Protection
- Tuya App
- Ground detection
- Surge protection
- Over/Under voltage protection
- Over temperature Protection
- OCCP 1.6 Ethernet

**Optional**

- PEN protection



### EST1L-\*\*-\*\* Series i

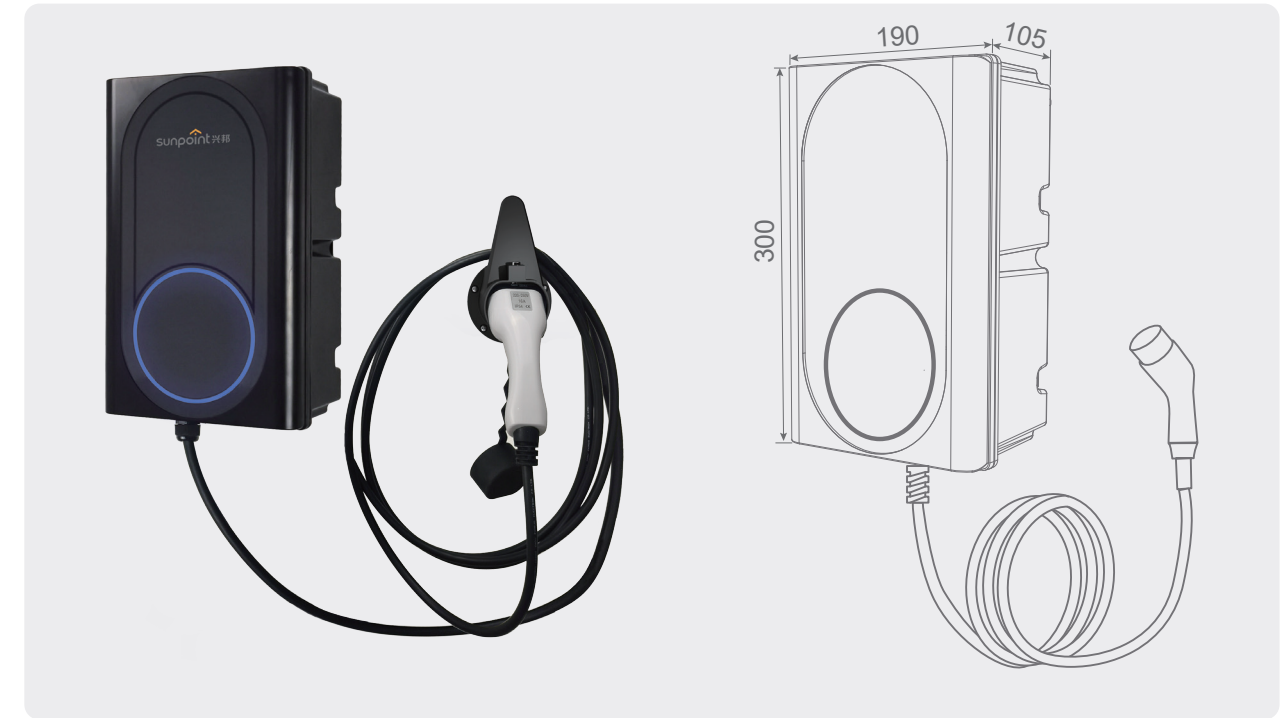
#### Technical Specification

Model Number	EST1L-16	EST1L-32
Ac power	1P+N+PE	
Voltage (V)	AC 220 - 240V	
Frequency (Hz)	50/60	
Operating Temperature	-25°C to +50°C	
Rated Current	up to 16A max	up to 32A max
Incoming Cable Terminals	3 x 16mm <sup>2</sup> terminals	3 x 16mm <sup>2</sup> terminals
Over Current Protection	Recommended 20A	Recommended 35.5A
Charging Plug	IEC 62196 (Type 2)	IEC 62196 (Type 2)
AC & DC Fault Protection	30mA Type A+ 6mA DC sensitive protective device	

#### Feature



- IP65
- LED charging status indicator
- AC & DC Fault Protection
- Over Current Protection
- Ground detection
- Surge protection
- Over/Under voltage protection
- Over temperature Protection



### EST3L-\*\*-\*\* Series i

#### Technical Specification

Model Number	EST3L-16	EST3L-32
Ac power	3P+N+PE	
Voltage (V)	AC380V~450V	
Frequency (Hz)	50/60	
Operating Temperature	-25°C to +50°C	
Rated Current	up to 16A max	up to 32A max
Incoming Cable Terminals	5 x 16mm <sup>2</sup> terminals	5 x 16mm <sup>2</sup> terminals
Over Current Protection	Recommended 20A	Recommended 35.5A
Charging Plug	IEC 62196 (Type 2)	IEC 62196 (Type 2)
AC & DC Fault Protection	30mA Type A+ 6mA DC sensitive protective device	

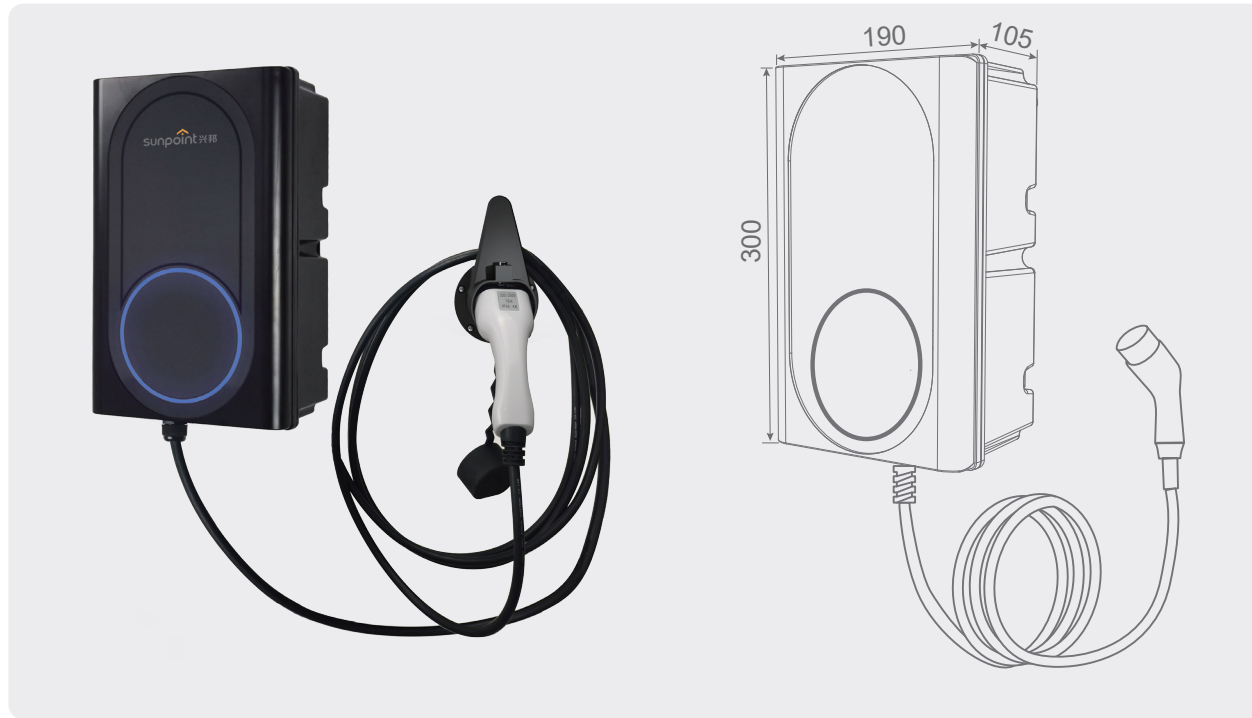
#### Feature



- IP65
- LED charging status indicator
- AC & DC Fault Protection
- Over Current Protection
- Ground detection
- Surge protection
- Over/Under voltage protection
- Over temperature Protection

#### Optional

- APP (TUYA)
- Card start
- PEN protection



### EST1L-\*\*10 Series



#### Technical Specification

Model Number	EST1L-1610	EST1L-3210
Ac power	1P+N+PE	
Voltage (V)	AC 220 - 240V	
Frequency (Hz)	50/60	
Operating Temperature	-25°C to +50°C	
Rated Current	up to 16A max	up to 32A max
Incoming Cable Terminals	3 x 16mm <sup>2</sup> terminals	3 x 16mm <sup>2</sup> terminals
Over Current Protection	Recommended 20A	Recommended 35.5A
Charging Plug	IEC 62196 (Type 2)	IEC 62196 (Type 2)
AC & DC Fault Protection	30mA Type A+ 6mA DC sensitive protective device	

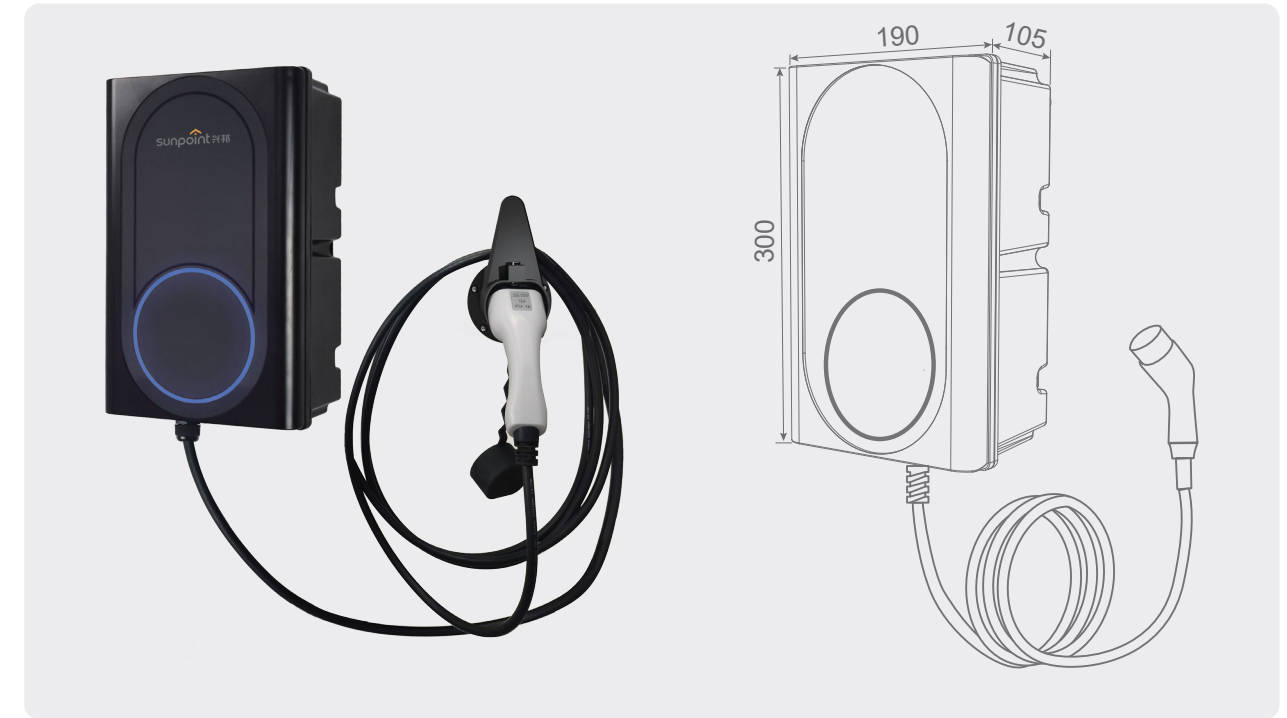
#### Feature



- IP65
- LED charging status indicator
- AC & DC Fault Protection
- Over Current Protection
- Tuya App
- Ground detection
- Surge protection
- Over/Under voltage protection
- Over temperature Protection
- OCPP 1.6 Ethernet

#### Optional

- PEN protection



### EST3L-\*\*10 Series



#### Technical Specification

Model Number	EST3L-1610	EST3L-3210
Ac power	3P+N+PE	
Voltage (V)	AC380V~450V	
Frequency (Hz)	50/60	
Operating Temperature	-25°C to +50°C	
Rated Current	up to 16A max	up to 32A max
Incoming Cable Terminals	5 x 16mm <sup>2</sup> terminals	5 x 16mm <sup>2</sup> terminals
Over Current Protection	Recommended 20A	Recommended 35.5A
Charging Plug	IEC 62196 (Type 2)	IEC 62196 (Type 2)
AC & DC Fault Protection	30mA Type A+ 6mA DC sensitive protective device	

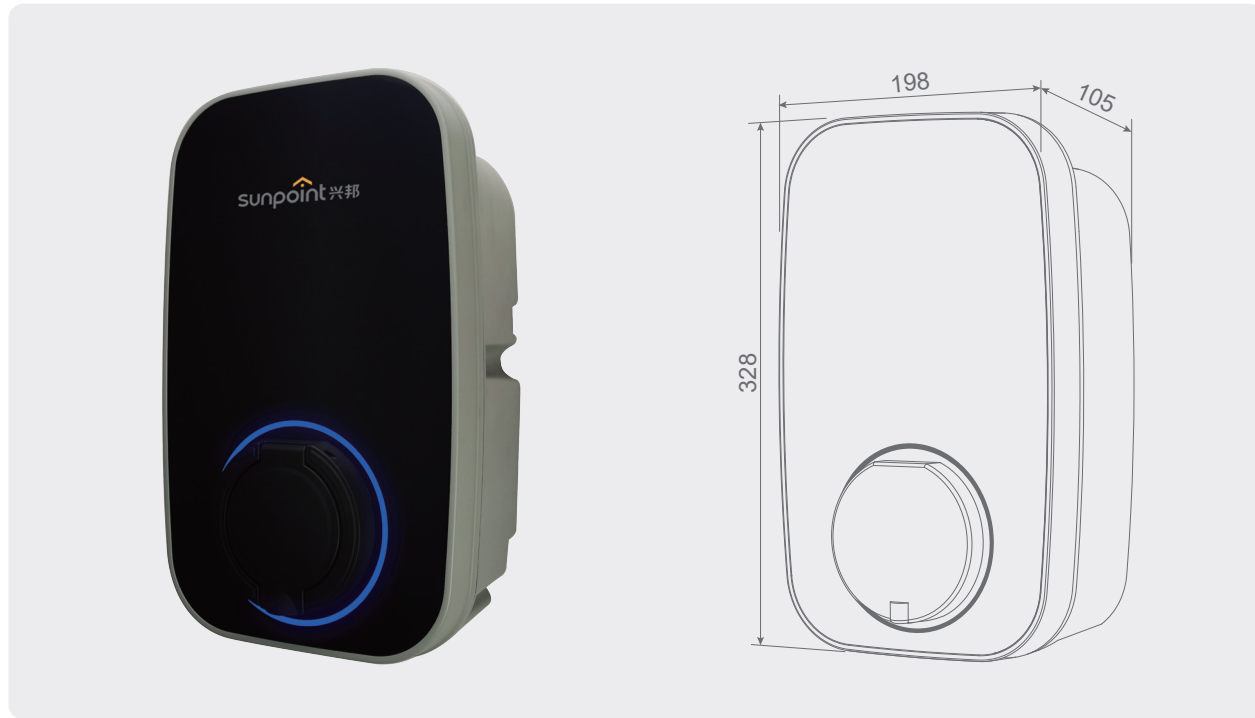
#### Feature



- IP65
- LED charging status indicator
- AC & DC Fault Protection
- Over Current Protection
- Tuya App
- Ground detection
- Surge protection
- Over/Under voltage protection
- Over temperature Protection
- OCPP 1.6 Ethernet

#### Optional

- PEN protection



### EVC1S-\*\* Series



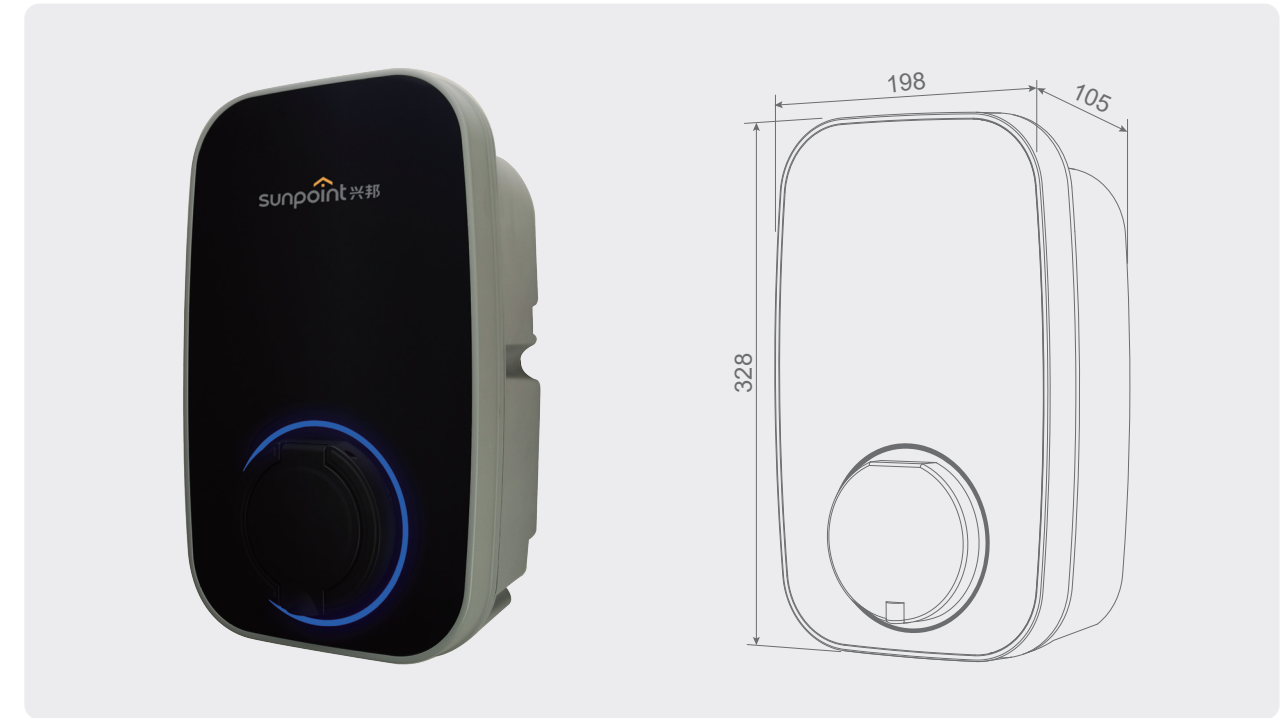
#### Technical Specification

Model Number	<b>EVC1S-32</b>
Ac power	1P+N+PE
Voltage (V)	AC 220 - 240V
Frequency (Hz)	50/60
Operating Temperature	-25°C to +50°C
Rated Current	up to 32A max
Incoming Cable Terminals	3 x 16mm <sup>2</sup> terminals
Over Current Protection	Recommended 35.5A
Charging Socket	IEC 62196 (Type 2)
AC & DC Fault Protection	30mA Type A+ 6mA DC sensitive protective device

#### Feature



- IP54
- LED charging status indicator
- AC & DC Fault Protection
- Over Current Protection
- Ground detection
- Surge protection
- Over/Under voltage protection
- Over temperature Protection



### EVC3S-\*\* Series



#### Technical Specification

Model Number	<b>EVC3S-32</b>
Ac power	3P+N+PE
Voltage (V)	AC380V~450V
Frequency (Hz)	50/60
Operating Temperature	-25°C to +50°C
Rated Current	up to 32A max
Incoming Cable Terminals	5 x 16mm <sup>2</sup> terminals
Over Current Protection	Recommended 35.5A
Charging Socket	IEC 62196 (Type 2)
AC & DC Fault Protection	30mA Type A+ 6mA DC sensitive protective device

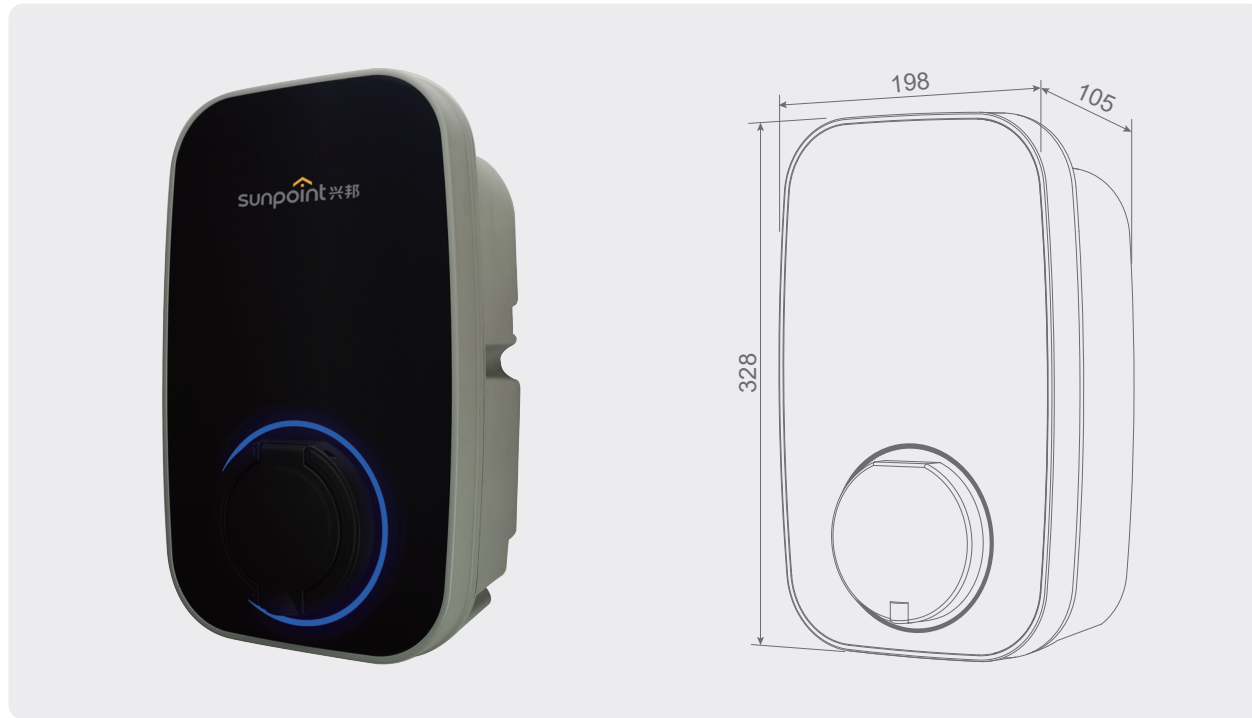
#### Feature



- IP54
- LED charging status indicator
- AC & DC Fault Protection
- Over Current Protection
- Ground detection
- Surge protection
- Over/Under voltage protection
- Over temperature Protection

#### Optional

- APP (TUYA)
- Card start
- OCPP1.6
- PEN protection



### EVC1S-\*\*10 Series



#### Technical Specification

Model Number	<b>EVC1S-3210</b>
Ac power	1P+N+PE
Voltage (V)	AC 220 - 240V
Frequency (Hz)	50/60
Operating Temperature	-25°C to +50°C
Rated Current	up to 32A max
Incoming Cable Terminals	3 x 16mm <sup>2</sup> terminals
Over Current Protection	Recommended 35.5A
Charging Socket	IEC 62196 (Type 2)
AC & DC Fault Protection	30mA Type A+ 6mA DC sensitive protective device

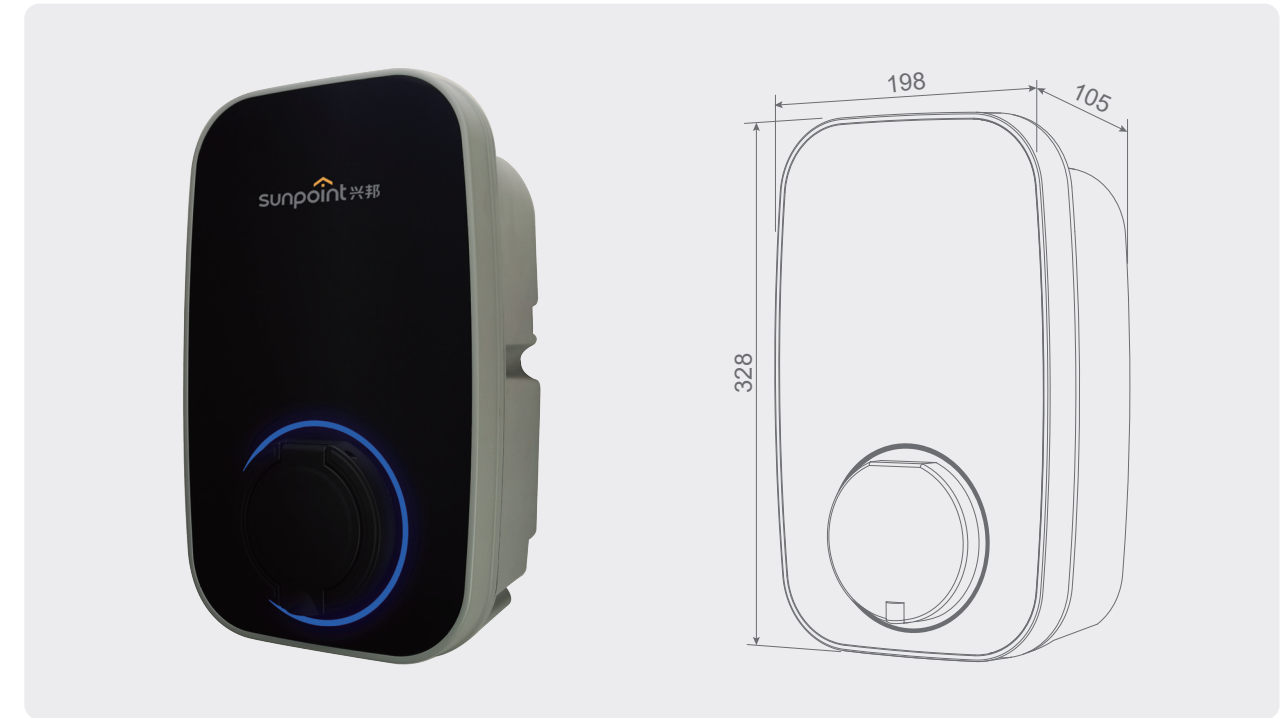
#### Feature



- IP54
- LED charging status indicator
- AC & DC Fault Protection
- Over Current Protection
- Tuya App
- Ground detection
- Surge protection
- Over/Under voltage protection
- Over temperature Protection
- OCPP 1.6 Ethernet

#### Optional

- PEN protection



### EVC3S-\*\*10 Series



#### Technical Specification

Model Number	<b>EVC3S-3210</b>
Ac power	3P+N+PE
Voltage (V)	AC380V~450V
Frequency (Hz)	50/60
Operating Temperature	-25°C to +50°C
Rated Current	up to 32A max
Incoming Cable Terminals	5 x 16mm <sup>2</sup> terminals
Over Current Protection	Recommended 35.5A
Charging Socket	IEC 62196 (Type 2)
AC & DC Fault Protection	30mA Type A+ 6mA DC sensitive protective device

#### Feature



- IP54
- LED charging status indicator
- AC & DC Fault Protection
- Over Current Protection
- Tuya App
- Ground detection
- Surge protection
- Over/Under voltage protection
- Over temperature Protection
- OCPP 1.6 Ethernet

#### Optional

- PEN protection





**EVC1L-\*\* Series**



**Technical Specification**

Model Number	EVC1L-16	EVC1L-32
Ac power	1P+N+PE	
Voltage (V)	AC 220 - 240V	
Frequency (Hz)	50/60	
Operating Temperature	-25°C to +50°C	
Rated Current	up to 16A max	up to 32A max
Incoming Cable Terminals	3 x 16mm <sup>2</sup> terminals	3 x 16mm <sup>2</sup> terminals
Over Current Protection	Recommended 20A	Recommended 35.5A
Charging Plug	IEC 62196 (Type 2)	IEC 62196 (Type 2)
AC & DC Fault Protection	30mA Type A+ 6mA DC sensitive protective device	

**Feature**



- IP65
- LED charging status indicator
- AC & DC Fault Protection
- Over Current Protection
- Ground detection
- Surge protection
- Over/Under voltage protection
- Over temperature Protection



**EVC3L-\*\* Series**



**Technical Specification**

Model Number	EVC3L-16	EVC3L-32
Ac power	3P+N+PE	
Voltage (V)	AC380V~450V	
Frequency (Hz)	50/60	
Operating Temperature	-25°C to +50°C	
Rated Current	up to 16A max	up to 32A max
Incoming Cable Terminals	5 x 16mm <sup>2</sup> terminals	5 x 16mm <sup>2</sup> terminals
Over Current Protection	Recommended 20A	Recommended 35.5A
Charging Plug	IEC 62196 (Type 2)	IEC 62196 (Type 2)
AC & DC Fault Protection	30mA Type A+ 6mA DC sensitive protective device	

**Feature**



- IP65
- LED charging status indicator
- AC & DC Fault Protection
- Over Current Protection
- Ground detection
- Surge protection
- Over/Under voltage protection
- Over temperature Protection

**Optional**

- APP (TUYA)
- Card start
- OCPP1.6
- PEN protection



### EVC1L-\*\*10 Series



#### Technical Specification

Model Number	EVC1L-1610	EVC1L-3210
Ac power	1P+N+PE	
Voltage (V)	AC 220 - 240V	
Frequency (Hz)	50/60	
Operating Temperature	-25°C to +50°C	
Rated Current	up to 16A max	up to 32A max
Incoming Cable Terminals	3 x 16mm <sup>2</sup> terminals	3 x 16mm <sup>2</sup> terminals
Over Current Protection	Recommended 20A	Recommended 35.5A
Charging Plug	IEC 62196 (Type 2)	IEC 62196 (Type 2)
AC & DC Fault Protection	30mA Type A+ 6mA DC sensitive protective device	

#### Feature



IP65  
LED charging status indicator  
AC & DC Fault Protection  
Over Current Protection  
Tuya App

Ground detection  
Surge protection  
Over/Under voltage protection  
Over temperature Protection  
OCPP 1.6 Ethernet

#### Optional

PEN protection



### EVC3L-\*\*10 Series



#### Technical Specification

Model Number	EVC3L-1610	EVC3L-3210
Ac power	3P+N+PE	
Voltage (V)	AC380V~450V	
Frequency (Hz)	50/60	
Operating Temperature	-25°C to +50°C	
Rated Current	up to 16A max	up to 32A max
Incoming Cable Terminals	5 x 16mm <sup>2</sup> terminals	5 x 16mm <sup>2</sup> terminals
Over Current Protection	Recommended 20A	Recommended 35.5A
Charging Plug	IEC 62196 (Type 2)	IEC 62196 (Type 2)
AC & DC Fault Protection	30mA Type A+ 6mA DC sensitive protective device	

#### Feature

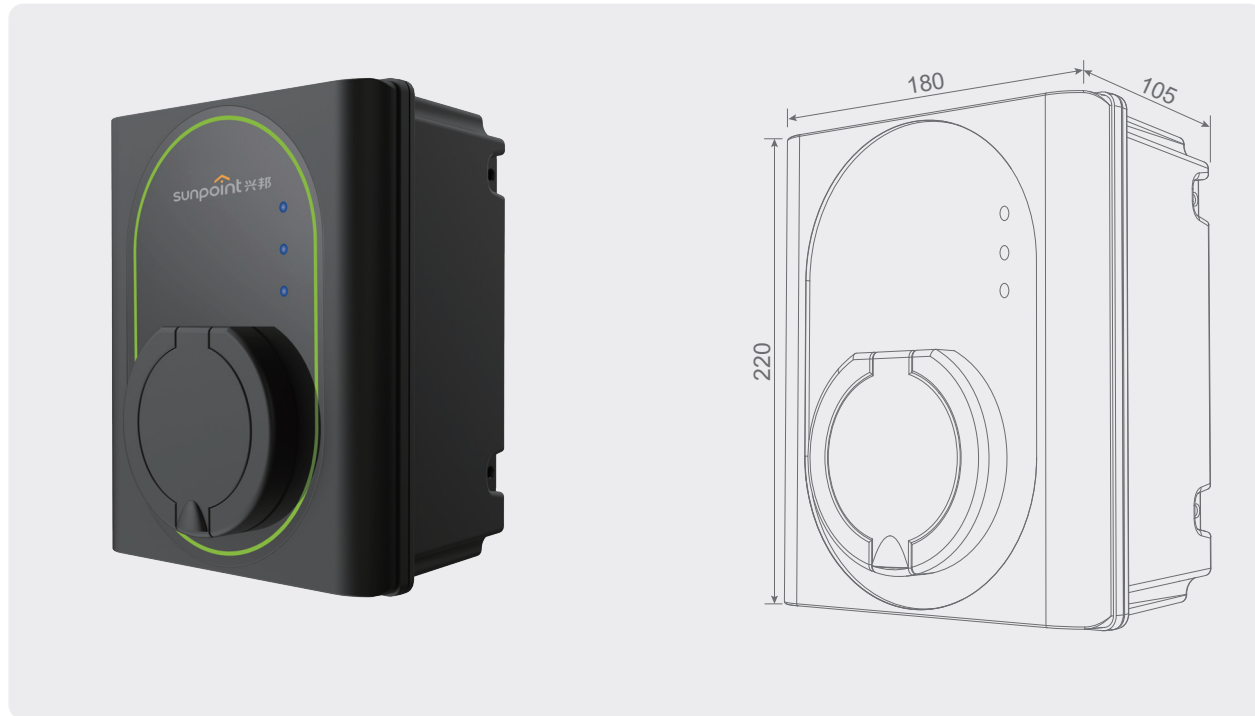


IP65  
LED charging status indicator  
AC & DC Fault Protection  
Over Current Protection  
Tuya App

Ground detection  
Surge protection  
Over/Under voltage protection  
Over temperature Protection  
OCPP 1.6 Ethernet

#### Optional

PEN protection



### EST1S-32A Series



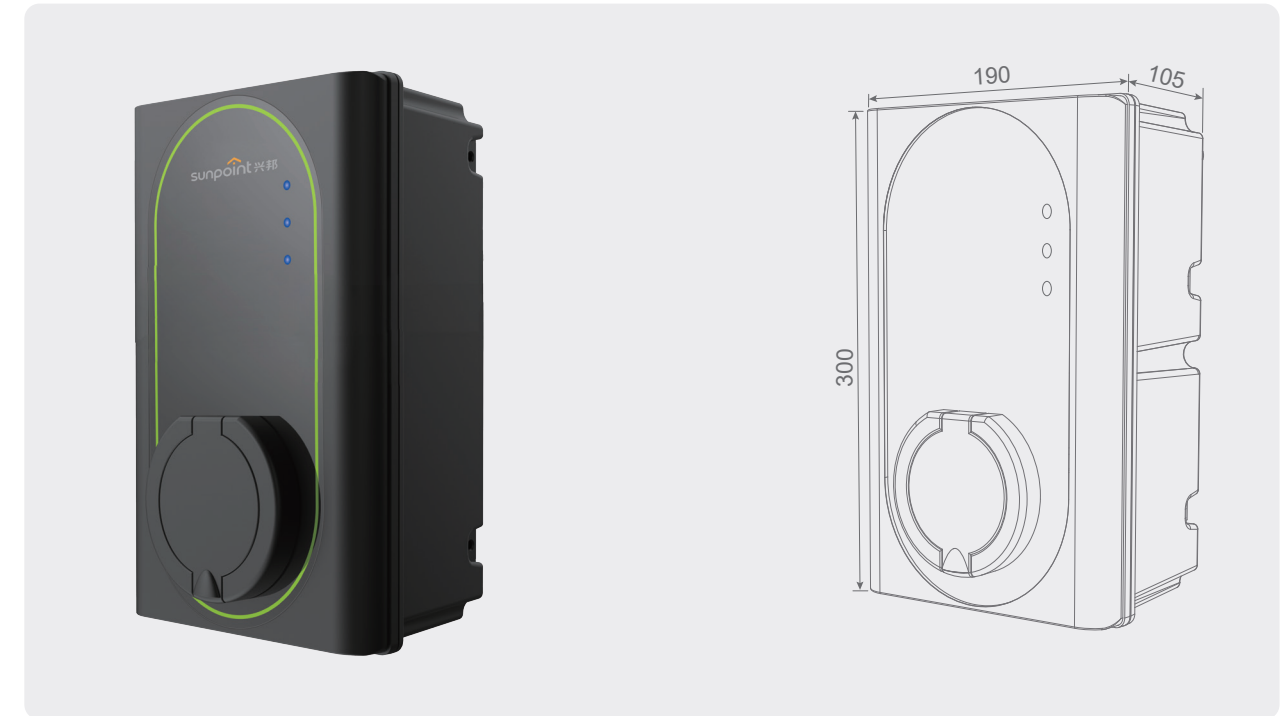
#### Technical Specification

Model Number	<b>EST1S-32A</b>
Ac power	1P+N+PE
Voltage (V)	AC 220 - 240V
Frequency (Hz)	50/60
Operating Temperature	-25°C to +50°C
Rated Current	up to 32A max
Incoming Cable Terminals	3 x 16mm <sup>2</sup> terminals
Over Current Protection	Recommended 35.5A
Charging Socket	IEC 62196 (Type 2)
AC & DC Fault Protection	30mA Type A+ 6mA DC sensitive protective device

#### Feature



- IP54
- LED charging status indicator
- AC & DC Fault Protection
- Over Current Protection
- Ground detection
- Surge protection
- Over/Under voltage protection
- Over temperature Protection



### EST3S-32A Series



#### Technical Specification

Model Number	<b>EST3S-32A</b>
Ac power	3P+N+PE
Voltage (V)	AC380V~450V
Frequency (Hz)	50/60
Operating Temperature	-25°C to +50°C
Rated Current	up to 32A max
Incoming Cable Terminals	5 x 16mm <sup>2</sup> terminals
Over Current Protection	Recommended 35.5A
Charging Socket	IEC 62196 (Type 2)
AC & DC Fault Protection	30mA Type A+ 6mA DC sensitive protective device

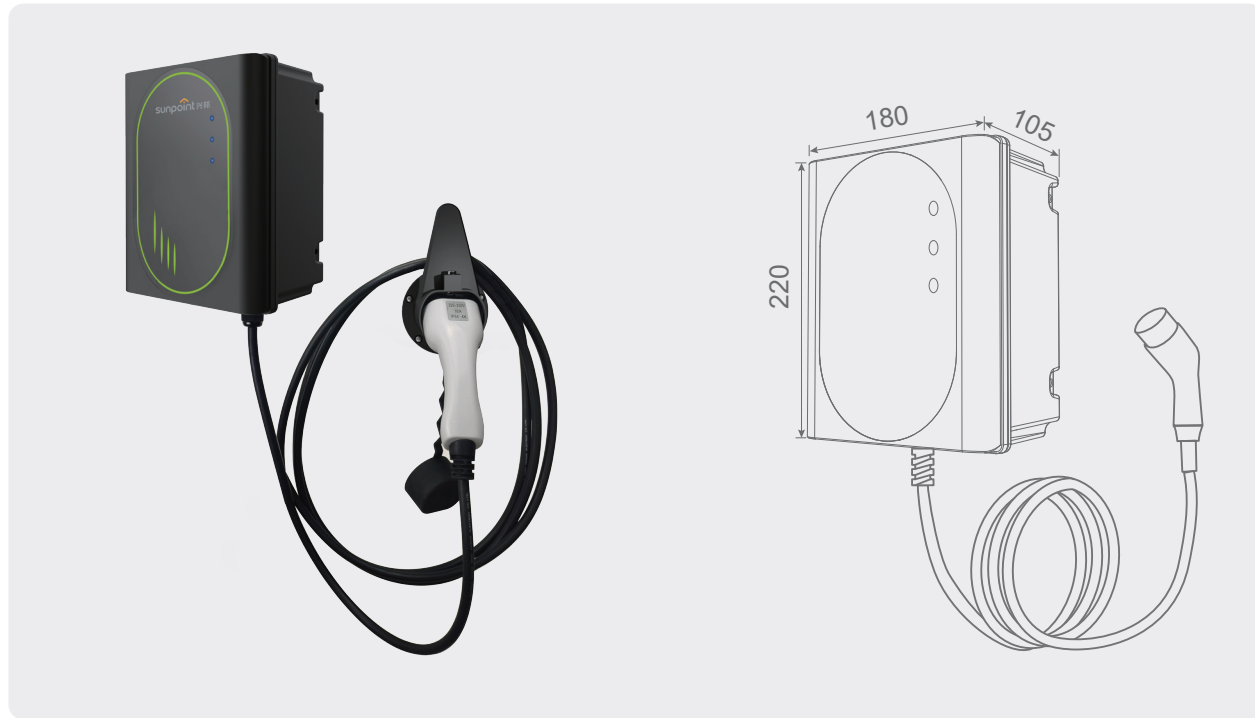
#### Feature



- IP54
- LED charging status indicator
- AC & DC Fault Protection
- Over Current Protection
- Ground detection
- Surge protection
- Over/Under voltage protection
- Over temperature

#### Optional

- APP (TUYA)
- Card start
- OCPP1.6
- PEN protection



### EST1L-\*A Series



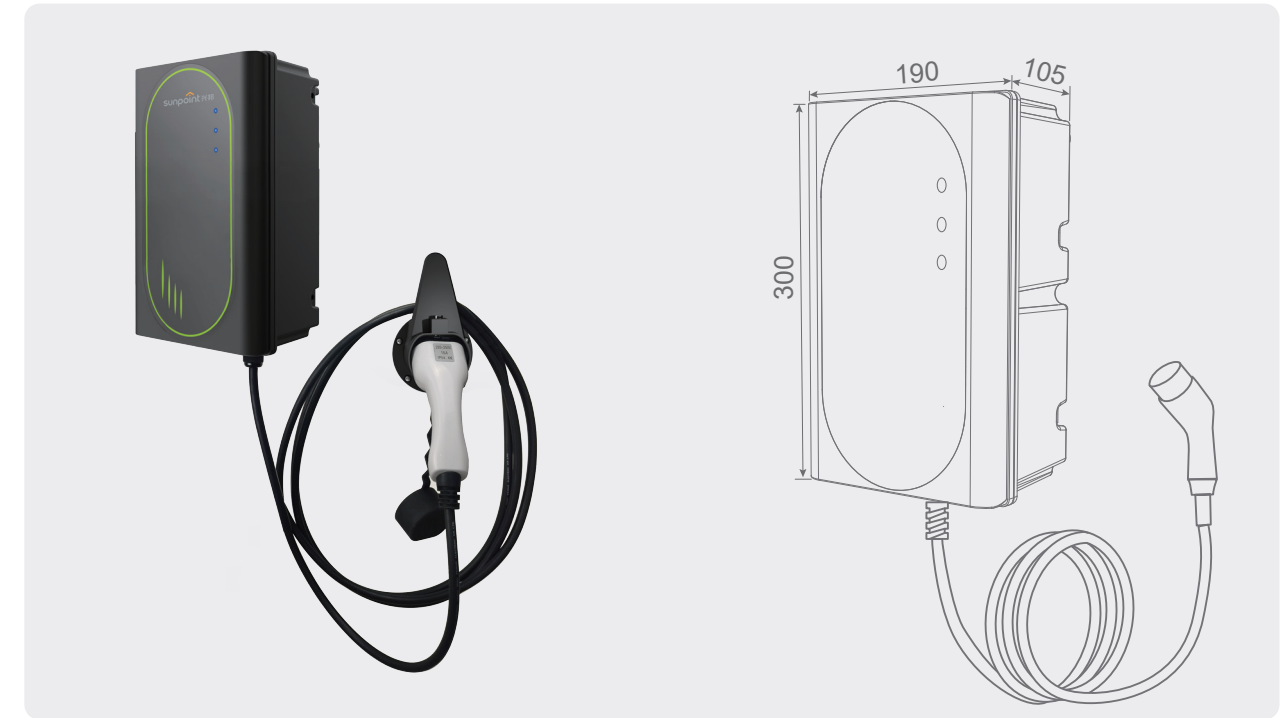
#### Technical Specification

Model Number	EST1L-16A	EST1L-32A
Ac power	1P+N+PE	
Voltage (V)	AC 220 - 240V	
Frequency (Hz)	50/60	
Operating Temperature	-25°C to +50°C	
Rated Current	up to 16A max	up to 32A max
Incoming Cable Terminals	3 x 16mm <sup>2</sup> terminals	3 x 16mm <sup>2</sup> terminals
Over Current Protection	Recommended 20A	Recommended 35.5A
Charging Plug	IEC 62196 (Type 2)	IEC 62196 (Type 2)
AC & DC Fault Protection	30mA Type A+ 6mA DC sensitive protective device	

#### Feature



- IP65
- LED charging status indicator
- AC & DC Fault Protection
- Over Current Protection
- Ground detection
- Surge protection
- Over/Under voltage protection
- Over temperature



### EST3L-\*A Series



#### Technical Specification

Model Number	EST3L-16A	EST3L-32A
Ac power	3P+N+PE	
Voltage (V)	AC380V~450V	
Frequency (Hz)	50/60	
Operating Temperature	-25°C to +50°C	
Rated Current	up to 16A max	up to 32A max
Incoming Cable Terminals	5 x 16mm <sup>2</sup> terminals	5 x 16mm <sup>2</sup> terminals
Over Current Protection	Recommended 20A	Recommended 35.5A
Charging Plug	IEC 62196 (Type 2)	IEC 62196 (Type 2)
AC & DC Fault Protection	30mA Type A+ 6mA DC sensitive protective device	

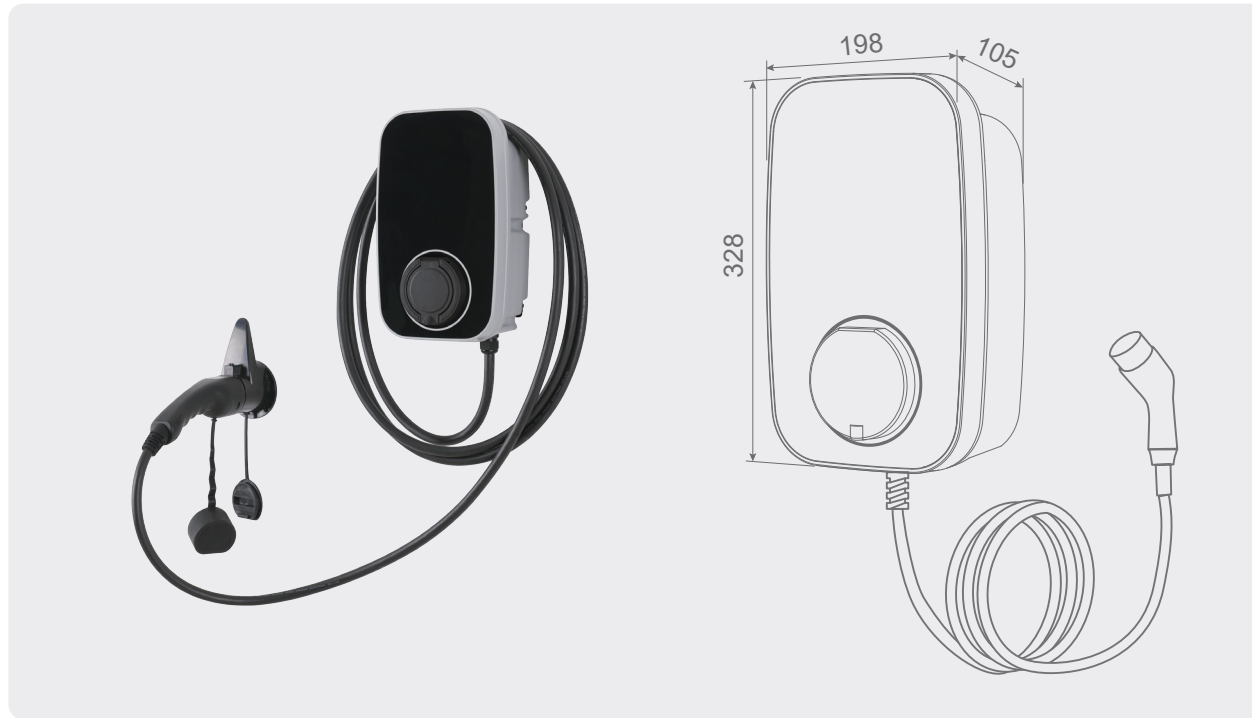
#### Feature



- IP65
- LED charging status indicator
- AC & DC Fault Protection
- Over Current Protection
- Ground detection
- Surge protection
- Over/Under voltage protection
- Over temperature

#### Optional

- APP (TUYA)
- Card start
- OCPP1.6
- PEN protection



### EVC1SL-3210 Series



#### Technical Specification

Model Number	EVC1SL-3210
Ac power	1P+N+PE
Voltage (V)	AC 220 - 240V
Frequency (Hz)	50/60
Operating Temperature	-25°C to +50°C
Rated Current	32A(16A ,13A,10Aadjustable)
Incoming Cable Terminals	3 x 16mm <sup>2</sup> terminals
Over Current Protection	Recommended 35.5A
Charging Plug	IEC 62196 (Type 2)
AC & DC Fault Protection	30mA Type A+ 6mA DC sensitive protective device

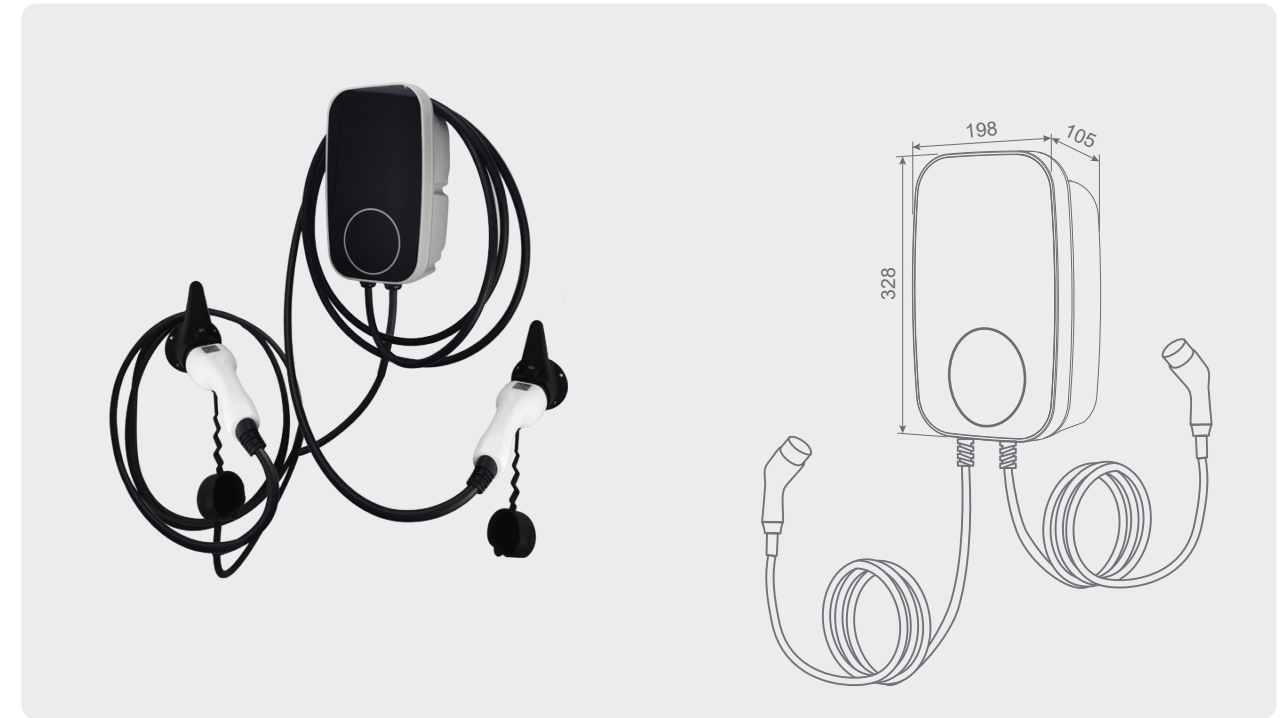
#### Feature



- IP65
- LED charging status indicator
- AC & DC Fault Protection
- Over Current Protection
- Tuya App
- Ground detection
- Surge protection
- Over/Under voltage protection
- Over temperature Protection
- OCPP 1.6 Ethernet

#### Optional

- PEN protection



### EVC1LL-3210 Series



#### Technical Specification

Model Number	EVC1LL-3210
Ac power	1P+N+PE
Voltage (V)	AC 220 - 240V
Frequency (Hz)	50/60
Operating Temperature	-25°C to +50°C
Rated Current	32A(16A ,13A,10Aadjustable)
Incoming Cable Terminals	3 x 16mm <sup>2</sup> terminals
Over Current Protection	Recommended 35.5A
Charging Plug	IEC 62196 (Type 2)
AC & DC Fault Protection	30mA Type A+ 6mA DC sensitive protective device

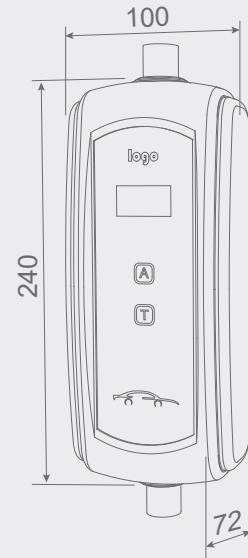
#### Feature



- IP65
- LED charging status indicator
- AC & DC Fault Protection
- Over Current Protection
- Tuya App
- Ground detection
- Surge protection
- Over/Under voltage protection
- Over temperature Protection
- OCPP 1.6 Ethernet

#### Optional

- PEN protection



### PEVC1L-\*A Series



#### Technical Specification

Model Number	<b>PEVC1L-32A</b>
Ac power	1P+N+PE
Voltage (V)	AC 220 - 240V
Frequency (Hz)	50/60
Operating Temperature	-25°C to +50°C
Rated Current	32A (16A, 13A, 10A adjustable)
Incoming Cable Terminals	3 x 16mm <sup>2</sup> terminals
Over Current Protection	Recommended 35.5A
Charging Plug	EN IEC 61851, EN 62196
Input Cable length	0.8m+Plug
Cable length	5m
AC & DC Fault Protection	30mA Type A+ 6mA DC sensitive protective device

#### Feature



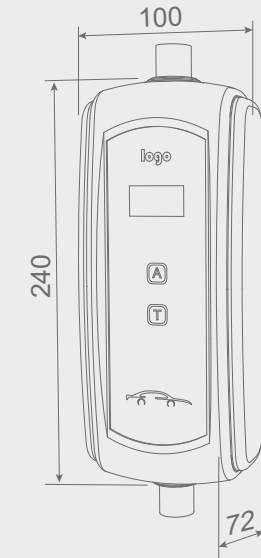
IP65  
Portable  
Over Current Protection

Ground detection  
Surge protection  
Over temperature

LED charging status indicator  
AC & DC Fault Protection  
Over/Under voltage protection

#### Optional

APP (TUYA)  
Card start



### PEVC3L-\*A Series



#### Technical Specification

Model Number	<b>PEVC3L-32A</b>
Ac power	3P+N+PE
Voltage (V)	AC380V~450V
Frequency (Hz)	50/60
Operating Temperature	-25°C to +50°C
Rated Current	32A (16A, 13A, 10A adjustable)
Incoming Cable Terminals	5 x 16mm <sup>2</sup> terminals
Over Current Protection	Recommended 35.5A
Charging Plug	EN IEC 61851, EN 62196
Input Cable length	0.8m+Plug
Cable length	5m
AC & DC Fault Protection	30mA Type A+ 6mA DC sensitive protective device

#### Feature



IP65  
Portable  
Over Current Protection

Ground detection  
Surge protection  
Over temperature

LED charging status indicator  
AC & DC Fault Protection  
Over/Under voltage protection

#### Optional

APP (TUYA)  
Card start



## 2 x 7.4kW



### Technical Specification

Model Number	<b>2 x 7.4kW</b>
Ac power	1P+N+PE
Voltage (V)	AC 220 - 240V
Frequency (Hz)	50/60
Operating Temperature	-25°C to +50°C
Rated Current	2* 32A(16A , 13A,10Aadjustable)
Incoming Cable Terminals	3 x 16mm <sup>2</sup> terminals
Over Current Protection	Recommended 35.5A
Charging Plug	EN IEC 61851,EN 62196
AC & DC Fault Protection	30mA Type A+ 6mA DC sensitive protective device

### Feature



IP54  
LED charging status indicator  
AC & DC Fault Protection  
Over Current Protection

Ground detection  
Surge protection  
Over/Under voltage protection  
Over temperature

### Optional

APP (TUYA)  
Card start  
OCPP1.6  
PEN protection



## 2 x 22kW



### Technical Specification

Model Number	<b>2 x 22kW</b>
Ac power	3P+N+PE
Voltage (V)	AC380V~450V
Frequency (Hz)	50/60
Operating Temperature	-25°C to +50°C
Rated Current	2* 32A(16A , 13A,10A10Aadjustable)
Incoming Cable Terminals	5 x 16mm <sup>2</sup> terminals
Over Current Protection	Recommended 35.5A
Charging Plug	EN IEC 61851,EN 62196
AC & DC Fault Protection	30mA Type A+ 6mA DC sensitive protective device

### Feature



IP54  
LED charging status indicator  
AC & DC Fault Protection  
Over Current Protection

Ground detection  
Surge protection  
Over/Under voltage protection  
Over temperature

### Optional

APP (TUYA)  
Card start  
OCPP1.6  
PEN protection



### Cable and plug



Optional Bag

### Cable and plug



#### Technical Specification

Model Number	XBEN-ev16-CT-1	XBEN-ev32-CT-1	XBEN-ev16-CT-3	XBEN-ev32-CT-3
Voltage (V)	AC 220V~250V	AC 220V~250V	AC 380V~450V	AC 380V~450V
Rated Current	16A 1P	32A 1P	16A 3P	32A 3P
Cable Specification	3*2.5mm <sup>2</sup> +0.5mm <sup>2</sup>	3*6mm <sup>2</sup> +2*0.5mm <sup>2</sup>	5*2.5mm <sup>2</sup> +0.5mm <sup>2</sup>	5*6mm <sup>2</sup> +2*0.5mm <sup>2</sup>
Fire Rating	UL94 V-0			
Waterproof rating	IP54			
Resistance Voltage	2000V			
Cable Length	5M /other			
Ptach life	more than 10000 times			
Operating Temperature	-30°C~50°C			
Insulation resistance	>1000MΩ			
Contact Resistance	Less than 0.5mΩ			
Certification	CE			

