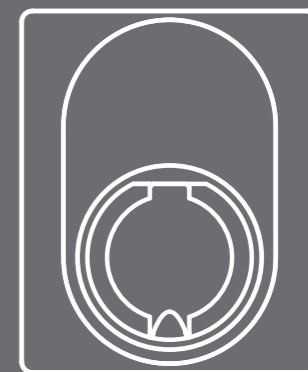
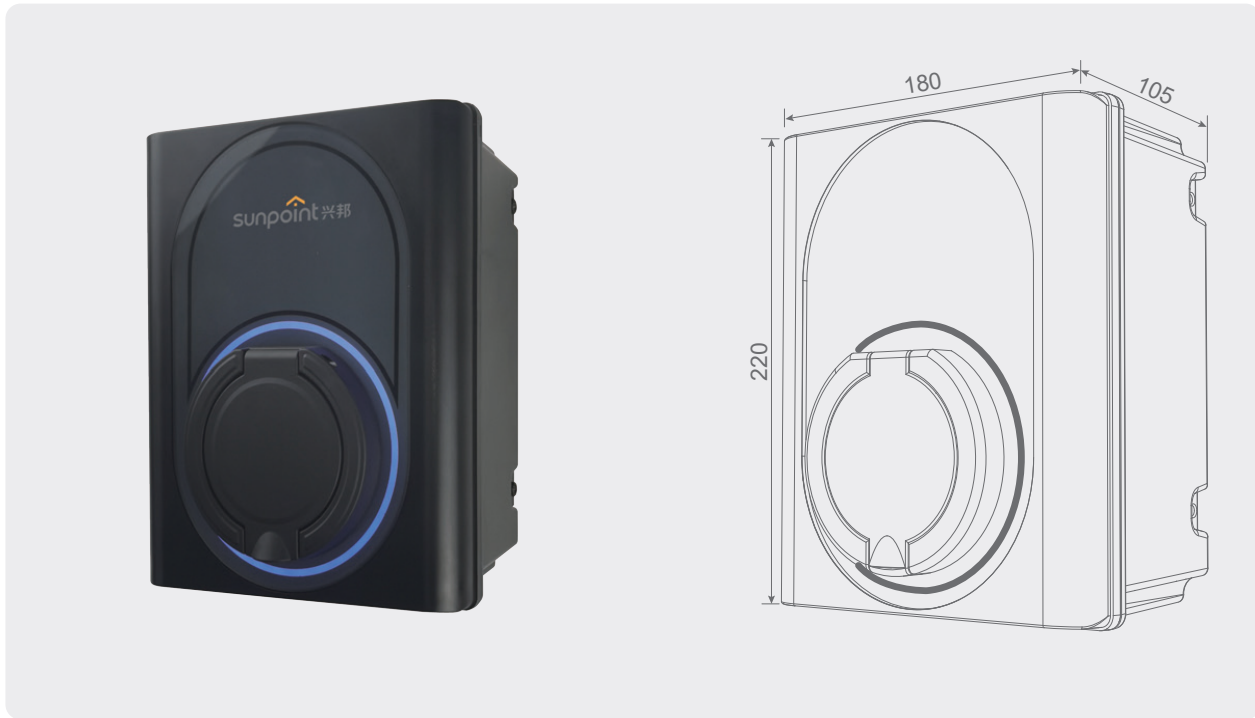




EV CHARGER





EST1S-** Series



Technical Specification

Model Number	EST1S-32
Ac power	1P+N+PE
Voltage (V)	AC 220 - 240V
Frequency (Hz)	50/60
Operating Temperature	-25°C to +50°C
Rated Current	up to 32A max
Incoming Cable Terminals	3 x 16mm ² terminals
Over Current Protection	Recommended 35.5A
Charging Socket	IEC 62196 (Type 2)
AC & DC Fault Protection	30mA Type A+ 6mA DC sensitive protective device

Feature



- IP54 - Enclosure IP54 - Socket
- LED charging status indicator
- AC & DC Fault Protection
- Over Current Protection
- Ground protection
- Surge protection
- Over/Under voltage protectio
- Over temperature



EST3S-** Series



Technical Specification

Model Number	EST3S-32
Ac power	3P+N+PE
Voltage (V)	AC380V~450V
Frequency (Hz)	50/60
Operating Temperature	-25°C to +50°C
Rated Current	up to 32A max
Incoming Cable Terminals	5 x 16mm ² terminals
Over Current Protection	Recommended 35.5A
Charging Socket	IEC 62196 (Type 2)
AC & DC Fault Protection	30mA Type A+ 6mA DC sensitive protective device

Feature



- IP54 - Enclosure IP54 - Socket
- LED charging status indicator
- AC & DC Fault Protection
- Over Current Protection
- Ground detection
- Surge protection
- Over/Under voltage protectio
- Over temperature

Optional

- APP (TUYA)
- Card start



EST1S-**10 Series



Technical Specification

Model Number	EST1S-3210
Ac power	1P+N+PE
Voltage (V)	AC 220 - 240V
Frequency (Hz)	50/60
Operating Temperature	-25°C to +50°C
Rated Current	up to 32A max
Incoming Cable Terminals	3 x 16mm ² terminals
Over Current Protection	Recommended 35.5A
Charging Socket	IEC 62196 (Type 2)
AC & DC Fault Protection	30mA Type A+ 6mA DC sensitive protective device

Feature



- IP54 - Enclosure IP54 - Socket
- LED charging status indicator
- AC & DC Fault Protection
- Over Current Protection
- Ground detection
- Surge protection
- Over/Under voltage protectio
- Over temperature
- Tuya App
- OCPP 1.6 Ethernet



EST3S-**10 Series



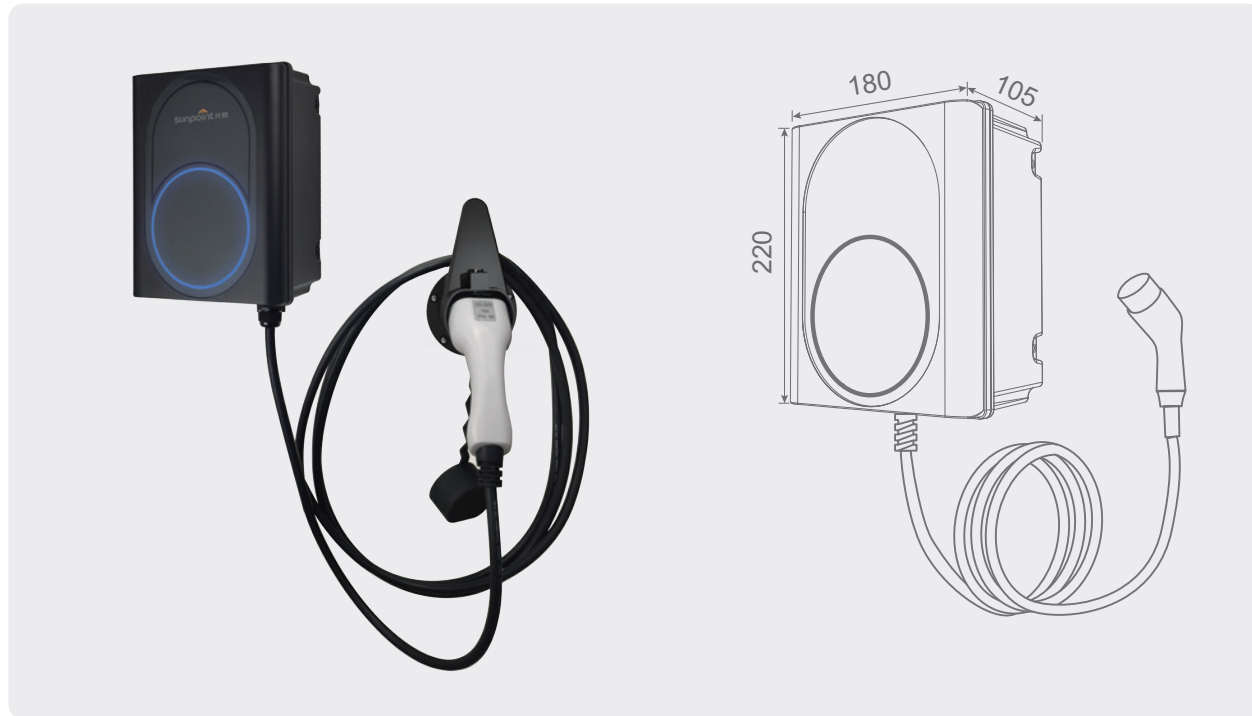
Technical Specification

Model Number	EST3S-3210
Ac power	3P+N+PE
Voltage (V)	AC380V~450V
Frequency (Hz)	50/60
Operating Temperature	-25°C to +50°C
Rated Current	up to 32A max
Incoming Cable Terminals	5 x 16mm ² terminals
Over Current Protection	Recommended 35.5A
Charging Socket	IEC 62196 (Type 2)
AC & DC Fault Protection	30mA Type A+ 6mA DC sensitive protective device

Feature



- IP54 - Enclosure IP54 - Socket
- LED charging status indicator
- AC & DC Fault Protection
- Over Current Protection
- Ground detection
- Surge protection
- Over/Under voltage protectio
- Over temperature
- Tuya App
- OCPP 1.6 Ethernet



EST1L-**-** Series i

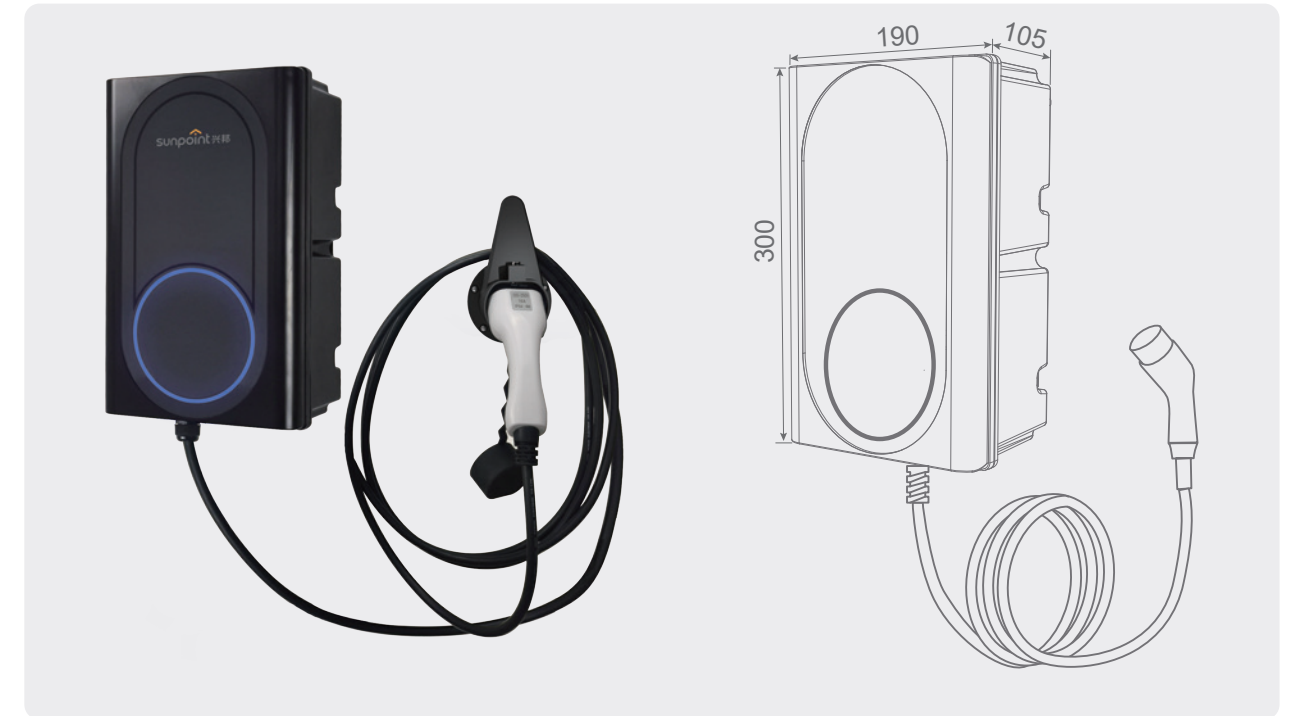
Technical Specification

Model Number	EST1L-16	EST1L-32
Ac power	1P+N+PE	
Voltage (V)	AC 220 - 240V	
Frequency (Hz)	50/60	
Operating Temperature	-25°C to +50°C	
Rated Current	up to 16A max	up to 32A max
Incoming Cable Terminals	3 x 16mm ² terminals	3 x 16mm ² terminals
Over Current Protection	Recommended 20A	Recommended 35.5A
Charging Plug	IEC 62196 (Type 2)	IEC 62196 (Type 2)
AC & DC Fault Protection	30mA Type A+ 6mA DC sensitive protective device	

Feature



- | | |
|-------------------------------|-------------------------------|
| IP65 - Enclosure | Ground detection |
| LED charging status indicator | Surge protection |
| AC & DC Fault Protection | Over/Under voltage protection |
| Over Current Protection | Over temperature |



EST3L-**-** Series i

Technical Specification

Model Number	EST3L-16	EST3L-32
Ac power	3P+N+PE	
Voltage (V)	AC380V~450V	
Frequency (Hz)	50/60	
Operating Temperature	-25°C to +50°C	
Rated Current	up to 16A max	up to 32A max
Incoming Cable Terminals	5 x 16mm ² terminals	5 x 16mm ² terminals
Over Current Protection	Recommended 20A	Recommended 35.5A
Charging Plug	IEC 62196 (Type 2)	IEC 62196 (Type 2)
AC & DC Fault Protection	30mA Type A+ 6mA DC sensitive protective device	

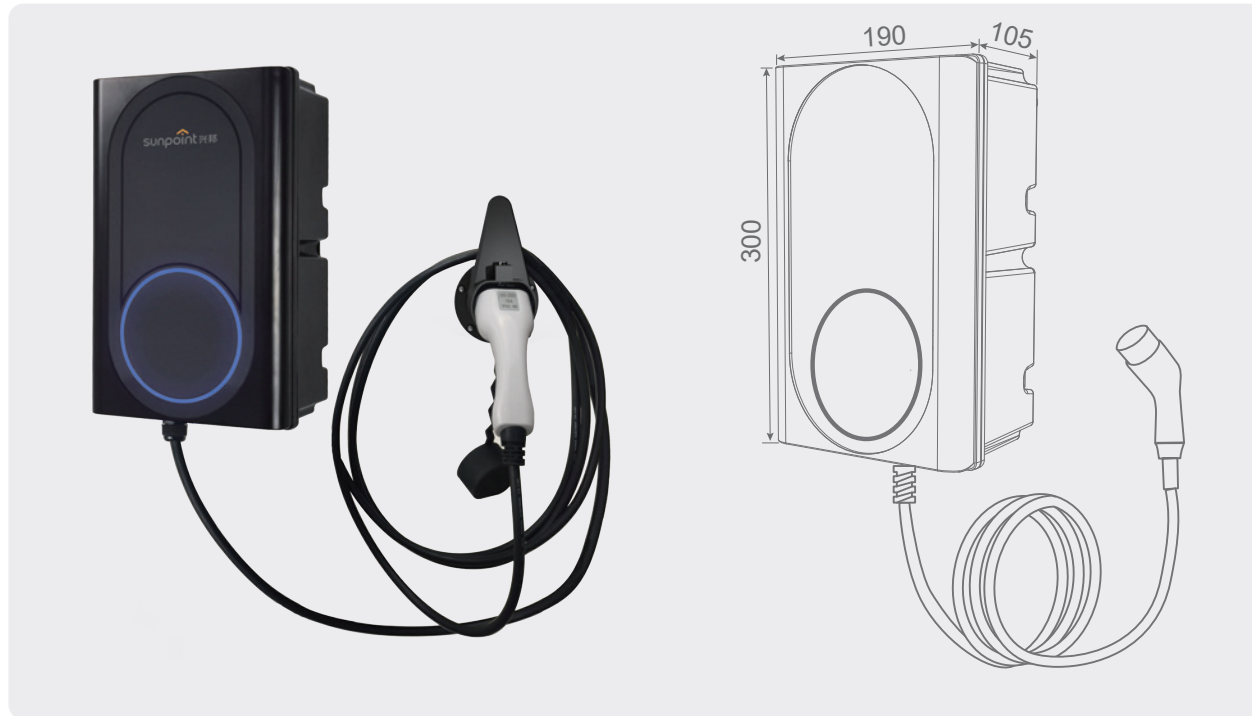
Feature



- | | |
|-------------------------------|-------------------------------|
| IP65 - Enclosure | Ground detection |
| LED charging status indicator | Surge protection |
| AC & DC Fault Protection | Over/Under voltage protection |
| Over Current Protection | Over temperature |

Optional

- APP (TUYA)
- Card start



EST1L-**10 Series



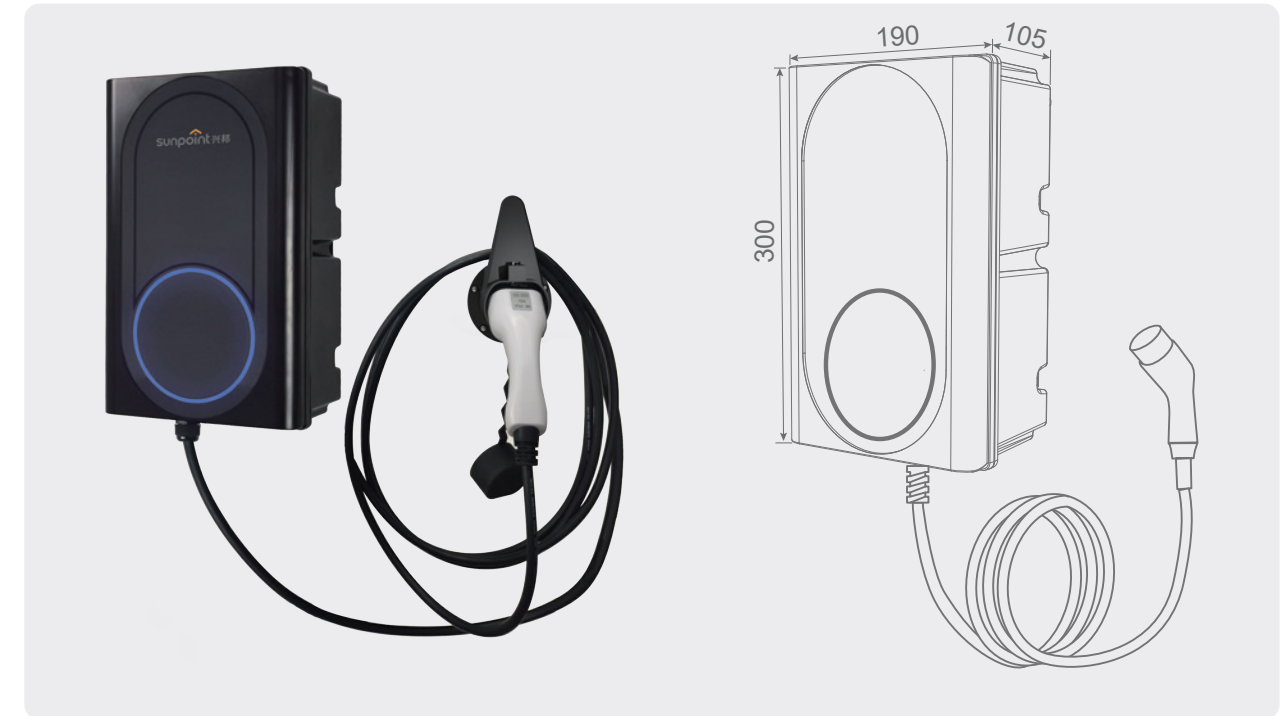
Technical Specification

Model Number	EST1L-1610	EST1L-3210
Ac power	1P+N+PE	
Voltage (V)	AC 220 - 240V	
Frequency (Hz)	50/60	
Operating Temperature	-25°C to +50°C	
Rated Current	up to 16A max	up to 32A max
Incoming Cable Terminals	3 x 16mm ² terminals	3 x 16mm ² terminals
Over Current Protection	Recommended 20A	Recommended 35.5A
Charging Plug	IEC 62196 (Type 2)	IEC 62196 (Type 2)
AC & DC Fault Protection	30mA Type A+ 6mA DC sensitive protective device	

Feature



- IP65 - Enclosure
- LED charging status indicator
- AC & DC Fault Protection
- Over Current Protection
- Ground detection
- Surge protection
- Over/Under voltage protectio
- Over temperature
- Tuya App
- OCCP 1.6 Ethernet



EST3L-**10 Series



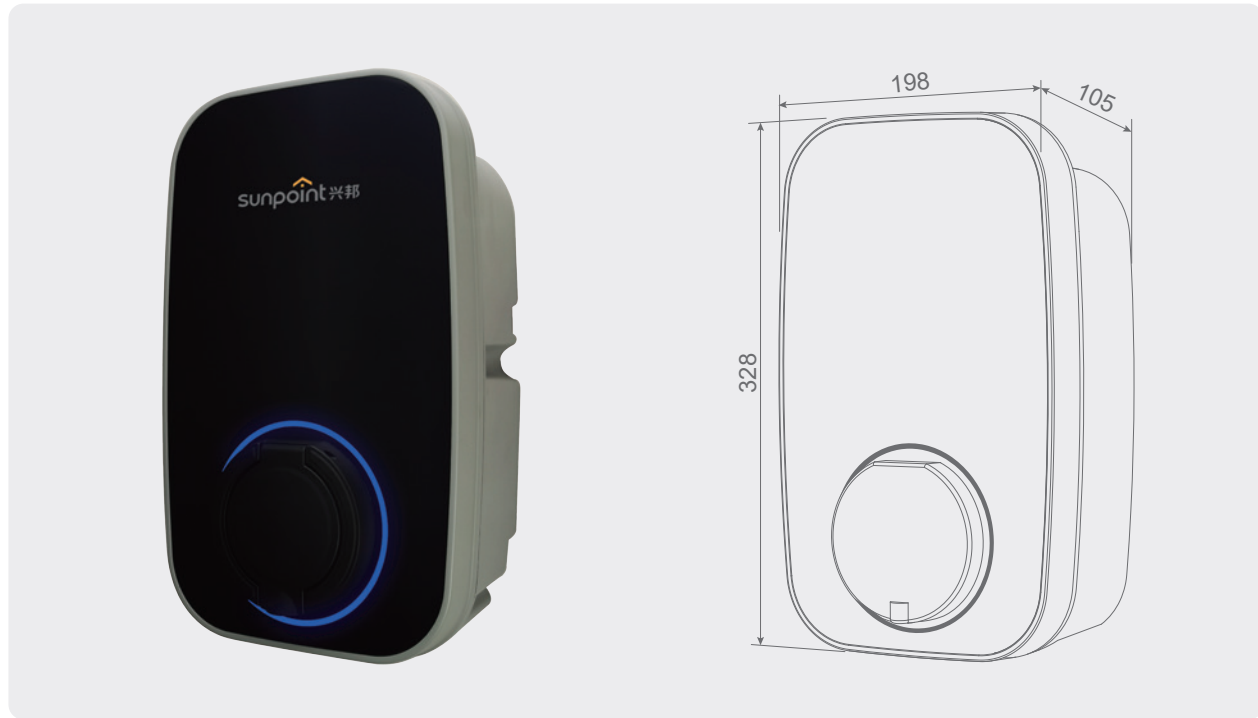
Technical Specification

Model Number	EST3L-1610	EST3L-3210
Ac power	3P+N+PE	
Voltage (V)	AC380V~450V	
Frequency (Hz)	50/60	
Operating Temperature	-25°C to +50°C	
Rated Current	up to 16A max	up to 32A max
Incoming Cable Terminals	5 x 16mm ² terminals	5 x 16mm ² terminals
Over Current Protection	Recommended 20A	Recommended 35.5A
Charging Plug	IEC 62196 (Type 2)	IEC 62196 (Type 2)
AC & DC Fault Protection	30mA Type A+ 6mA DC sensitive protective device	

Feature



- IP65 - Enclosure
- LED charging status indicator
- AC & DC Fault Protection
- Over Current Protection
- Ground detection
- Surge protection
- Over/Under voltage protectio
- Over temperature
- Tuya App
- OCCP 1.6 Ethernet



EVC1S-** Series



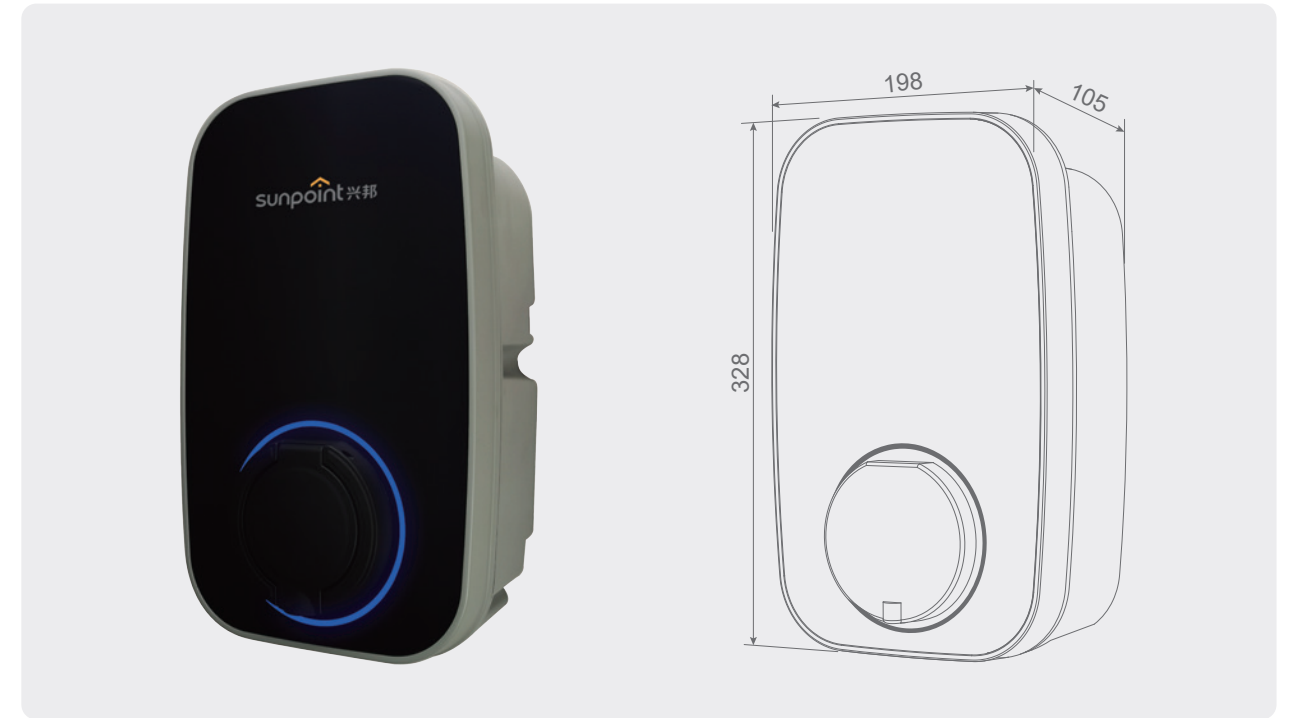
Technical Specification

Model Number	EVC1S-32
Ac power	1P+N+PE
Voltage (V)	AC 220 - 240V
Frequency (Hz)	50/60
Operating Temperature	-25°C to +50°C
Rated Current	up to 32A max
Incoming Cable Terminals	3 x 16mm ² terminals
Over Current Protection	Recommended 35.5A
Charging Socket	IEC 62196 (Type 2)
AC & DC Fault Protection	30mA Type A+ 6mA DC sensitive protective device

Feature



- IP54 - Enclosure IP54 - Socket
- LED charging status indicator
- AC & DC Fault Protection
- Over Current Protection
- Ground detection
- Surge protection
- Over/Under voltage protectio
- Over temperature



EVC3S-** Series



Technical Specification

Model Number	EVC3S-32
Ac power	3P+N+PE
Voltage (V)	AC380V~450V
Frequency (Hz)	50/60
Operating Temperature	-25°C to +50°C
Rated Current	up to 32A max
Incoming Cable Terminals	5 x 16mm ² terminals
Over Current Protection	Recommended 35.5A
Charging Socket	IEC 62196 (Type 2)
AC & DC Fault Protection	30mA Type A+ 6mA DC sensitive protective device

Feature



- IP54 - Enclosure IP54 - Socket
- LED charging status indicator
- AC & DC Fault Protection
- Over Current Protection
- Ground detection
- Surge protection
- Over/Under voltage protectio
- Over temperature

Optional

- APP (TUYA)
- Card start



EVC1S-**10 Series



Technical Specification

Model Number	EVC1S-3210
Ac power	1P+N+PE
Voltage (V)	AC 220 - 240V
Frequency (Hz)	50/60
Operating Temperature	-25°C to +50°C
Rated Current	up to 32A max
Incoming Cable Terminals	3 x 16mm ² terminals
Over Current Protection	Recommended 35.5A
Charging Socket	IEC 62196 (Type 2)
AC & DC Fault Protection	30mA Type A+ 6mA DC sensitive protective device

Feature



IP54 - Enclosure	IP54 - Socket	Ground detection	Tuya App
LED charging status indicator		Surge protection	OCPP 1.6 Ethernet
AC & DC Fault Protection		Over/Under voltage protection	
Over Current Protection		Over temperature	



EVC3S-**10 Series



Technical Specification

Model Number	EVC3S-3210
Ac power	3P+N+PE
Voltage (V)	AC380V~450V
Frequency (Hz)	50/60
Operating Temperature	-25°C to +50°C
Rated Current	up to 32A max
Incoming Cable Terminals	5 x 16mm ² terminals
Over Current Protection	Recommended 35.5A
Charging Socket	IEC 62196 (Type 2)
AC & DC Fault Protection	30mA Type A+ 6mA DC sensitive protective device

Feature



IP54 - Enclosure	IP54 - Socket	Ground detection	Tuya App
LED charging status indicator		Surge protection	OCPP 1.6 Ethernet
AC & DC Fault Protection		Over/Under voltage protection	
Over Current Protection		Over temperature	



EVC1L-** Series



Technical Specification

Model Number	EVC1L-16	EVC1L-32
Ac power	1P+N+PE	
Voltage (V)	AC 220 - 240V	
Frequency (Hz)	50/60	
Operating Temperature	-25°C to +50°C	
Rated Current	up to 16A max	up to 32A max
Incoming Cable Terminals	3 x 16mm ² terminals	3 x 16mm ² terminals
Over Current Protection	Recommended 20A	Recommended 35.5A
Charging Plug	IEC 62196 (Type 2)	IEC 62196 (Type 2)
AC & DC Fault Protection	30mA Type A+ 6mA DC sensitive protective device	

Feature



- IP65 - Enclosure
- LED charging status indicator
- AC & DC Fault Protection
- Over Current Protection
- Ground detection
- Surge protection
- Over/Under voltage protectio
- Over temperature



EVC3L-** Series



Technical Specification

Model Number	EVC3L-16	EVC3L-32
Ac power	3P+N+PE	
Voltage (V)	AC380V~450V	
Frequency (Hz)	50/60	
Operating Temperature	-25°C to +50°C	
Rated Current	up to 16A max	up to 32A max
Incoming Cable Terminals	5 x 16mm ² terminals	5 x 16mm ² terminals
Over Current Protection	Recommended 20A	Recommended 35.5A
Charging Plug	IEC 62196 (Type 2)	IEC 62196 (Type 2)
AC & DC Fault Protection	30mA Type A+ 6mA DC sensitive protective device	

Feature



- IP65 - Enclosure
- LED charging status indicator
- AC & DC Fault Protection
- Over Current Protection
- Ground detection
- Surge protection
- Over/Under voltage protectio
- Over temperature

Optional

- APP (TU YA)
- Card start



EVC1L-**10 Series



Technical Specification

Model Number	EVC1L-1610	EVC1L-3210
Ac power	1P+N+PE	
Voltage (V)	AC 220 - 240V	
Frequency (Hz)	50/60	
Operating Temperature	-25°C to +50°C	
Rated Current	up to 16A max	up to 32A max
Incoming Cable Terminals	3 x 16mm ² terminals	3 x 16mm ² terminals
Over Current Protection	Recommended 20A	Recommended 35.5A
Charging Plug	IEC 62196 (Type 2)	IEC 62196 (Type 2)
AC & DC Fault Protection	30mA Type A+ 6mA DC sensitive protective device	

Feature



- IP65 - Enclosure
- LED charging status indicator
- AC & DC Fault Protection
- Over Current Protection
- Ground detection
- Surge protection
- Over/Under voltage protectio
- Over temperature
- Tuya App
- OCPP 1.6 Ethernet



EVC3L-**10 Series



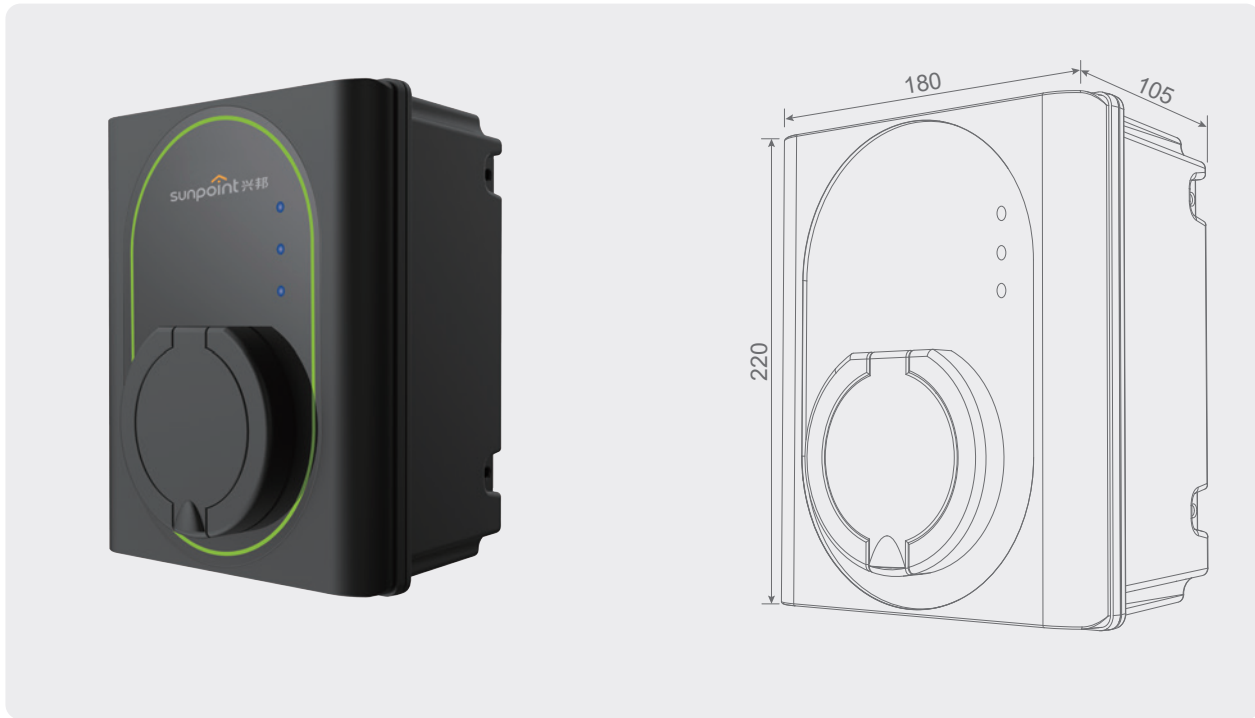
Technical Specification

Model Number	EVC3L-1610	EVC3L-3210
Ac power	3P+N+PE	
Voltage (V)	AC380V~450V	
Frequency (Hz)	50/60	
Operating Temperature	-25°C to +50°C	
Rated Current	up to 16A max	up to 32A max
Incoming Cable Terminals	5 x 16mm ² terminals	5 x 16mm ² terminals
Over Current Protection	Recommended 20A	Recommended 35.5A
Charging Plug	IEC 62196 (Type 2)	IEC 62196 (Type 2)
AC & DC Fault Protection	30mA Type A+ 6mA DC sensitive protective device	

Feature



- IP65 - Enclosure
- LED charging status indicator
- AC & DC Fault Protection
- Over Current Protection
- Ground detection
- Surge protection
- Over/Under voltage protectio
- Over temperature
- Tuya App
- OCPP 1.6 Ethernet



EST1S-32A Series



Technical Specification

Model Number	EST1S-32A
Ac power	1P+N+PE
Voltage (V)	AC 220 - 240V
Frequency (Hz)	50/60
Operating Temperature	-25°C to +50°C
Rated Current	up to 32A max
Incoming Cable Terminals	3 x 16mm ² terminals
Over Current Protection	Recommended 35.5A
Charging Socket	IEC 62196 (Type 2)
AC & DC Fault Protection	30mA Type A+ 6mA DC sensitive protective device

Feature



- IP54 - Enclosure IP54 - Socket
- LED charging status indicator
- AC & DC Fault Protection
- Over Current Protection
- Ground detection
- Surge protection
- Over/Under voltage protectio
- Over temperature



EST3S-32A Series



Technical Specification

Model Number	EST3S-32A
Ac power	3P+N+PE
Voltage (V)	AC380V~450V
Frequency (Hz)	50/60
Operating Temperature	-25°C to +50°C
Rated Current	up to 32A max
Incoming Cable Terminals	5 x 16mm ² terminals
Over Current Protection	Recommended 35.5A
Charging Socket	IEC 62196 (Type 2)
AC & DC Fault Protection	30mA Type A+ 6mA DC sensitive protective device

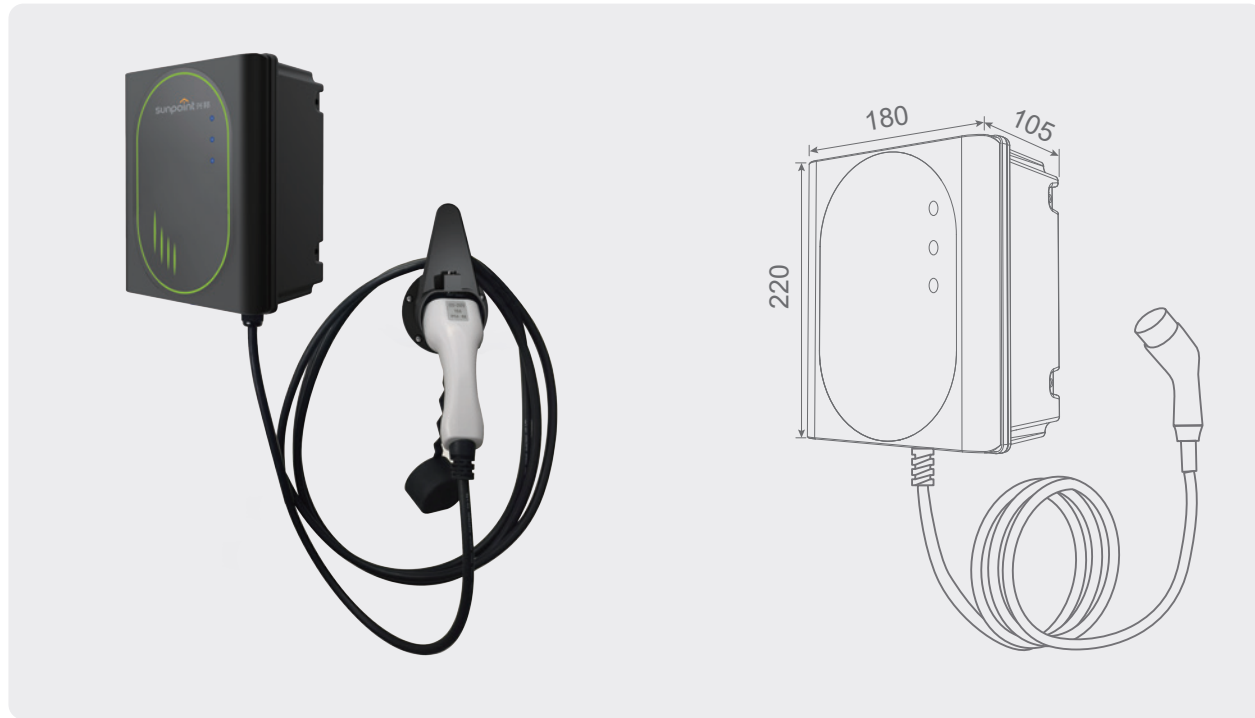
Feature



- IP54 - Enclosure IP54 - Socket
- LED charging status indicator
- AC & DC Fault Protection
- Over Current Protection
- Ground detection
- Surge protection
- Over/Under voltage protectio
- Over temperature

Optional

- APP (TUYA)
- Card start



EST1L-*A Series



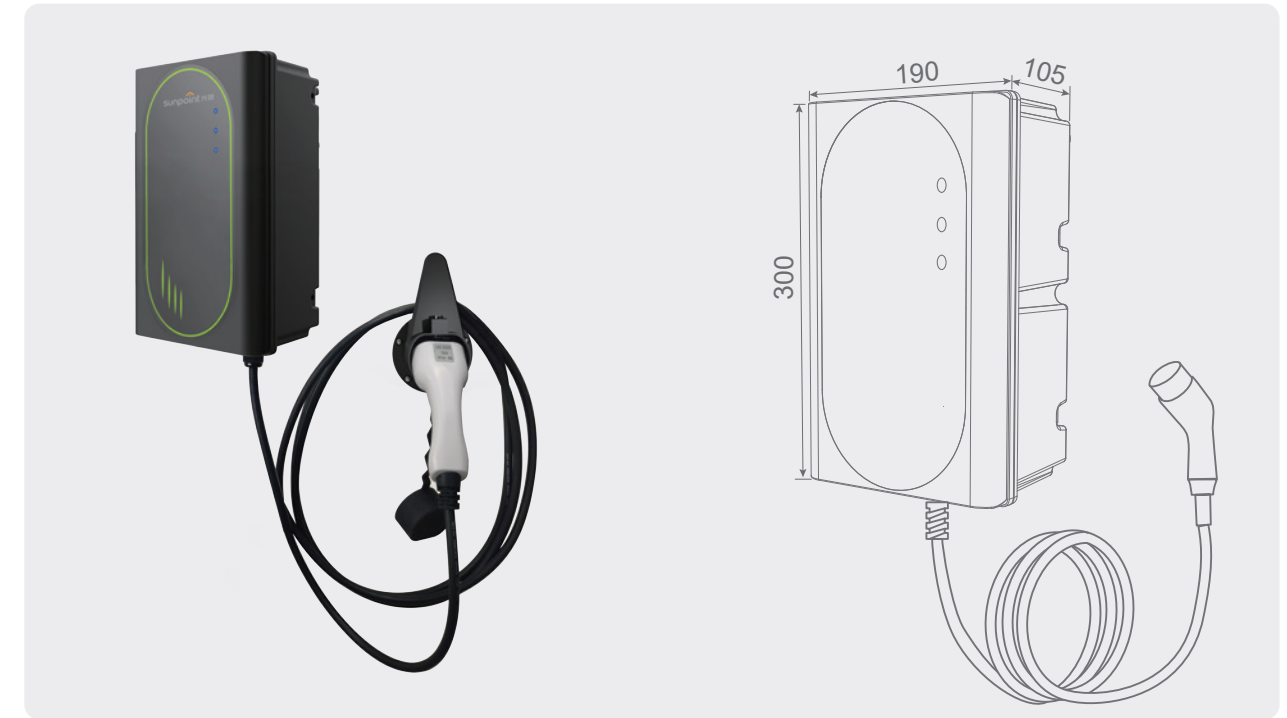
Technical Specification

Model Number	EST1L-16A	EST1L-32A
Ac power	1P+N+PE	
Voltage (V)	AC 220 - 240V	
Frequency (Hz)	50/60	
Operating Temperature	-25°C to +50°C	
Rated Current	up to 16A max	up to 32A max
Incoming Cable Terminals	3 x 16mm ² terminals	3 x 16mm ² terminals
Over Current Protection	Recommended 20A	Recommended 35.5A
Charging Plug	IEC 62196 (Type 2)	IEC 62196 (Type 2)
AC & DC Fault Protection	30mA Type A+ 6mA DC sensitive protective device	

Feature



- IP65 - Enclosure
- LED charging status indicator
- AC & DC Fault Protection
- Over Current Protection
- Ground detection
- Surge protection
- Over/Under voltage protectio
- Over temperature



EST3L-*A Series



Technical Specification

Model Number	EST3L-16A	EST3L-32A
Ac power	3P+N+PE	
Voltage (V)	AC380V~450V	
Frequency (Hz)	50/60	
Operating Temperature	-25°C to +50°C	
Rated Current	up to 16A max	up to 32A max
Incoming Cable Terminals	5 x 16mm ² terminals	5 x 16mm ² terminals
Over Current Protection	Recommended 20A	Recommended 35.5A
Charging Plug	IEC 62196 (Type 2)	IEC 62196 (Type 2)
AC & DC Fault Protection	30mA Type A+ 6mA DC sensitive protective device	

Feature



- IP65 - Enclosure
- LED charging status indicator
- AC & DC Fault Protection
- Over Current Protection
- Ground detection
- Surge protection
- Over/Under voltage protectio
- Over temperature

Optional

- APP (TUYA)
- Card start



Cable and plug



Optional Bag

Cable and plug



Technical Specification

Model Number	CBYEN-ev16-CT-1	CBYEN-ev32-CT-1	CBYEN-ev16-CT-3	CBYEN-ev32-CT-3
Voltage (V)	AC 220V~250V	AC 220V~250V	AC 380V~450V	AC 380V~450V
Rated Current	16A 1P	32A 1P	16A 3P	32A 3P
Cable Specification	3*2.5mm ² +0.5mm ²	3*6mm ² +2*0.5mm ²	5*2.5mm ² +0.5mm ²	5*6mm ² +2*0.5mm ²
Fire Rating	UL94 V-0			
Waterproof rating	IP54			
Resistance Voltage	2000V			
Cable Length	5M /other			
Pltach life	more than 10000 times			
Operating Temperature	-30°C~50°C			
Insulation resistance	>1000MΩ			
Contact Resistance	Less than 0.5mΩ			
Certification	CE			

