

PTM

PLASTIC PROFILES AND TUBES

2022



INDEX PRODUCTS

PROFILES	Page
0-10	6-8
10-20	9-22
20-30	23-41
30-40	42-48
40-50	54-57
50-60	58-61
60-70	62-63
70-80	64-65
80-90	66
90-100	67
100-120	70-71
120-275	72-74
MICRO PRISMATIC STRUCTURE PROFILES	77-98
CLOSED SECTIONS	101-115
GLASS PARTITIONING PROFILES	117-126
POLYCARBONATE TUBES	128
PMMA TUBES	129
PMMA SATIN TUBES	130
DIMENSIONS	131
TECHNICAL TUBES SPECIFICATIONS	132
TECHNICAL DATA SHEET POLYCARBONATE UV STABILIZED – ANTISHOCK	133-134
TECHNICAL DATA SHEET POLYCARBONATE FLAME RETARDANT	135-136
TECHNICAL DATA SHEET PMMA TRANSPARENT	137
TECHNICAL DATA SHEET PMMA SATIN	138

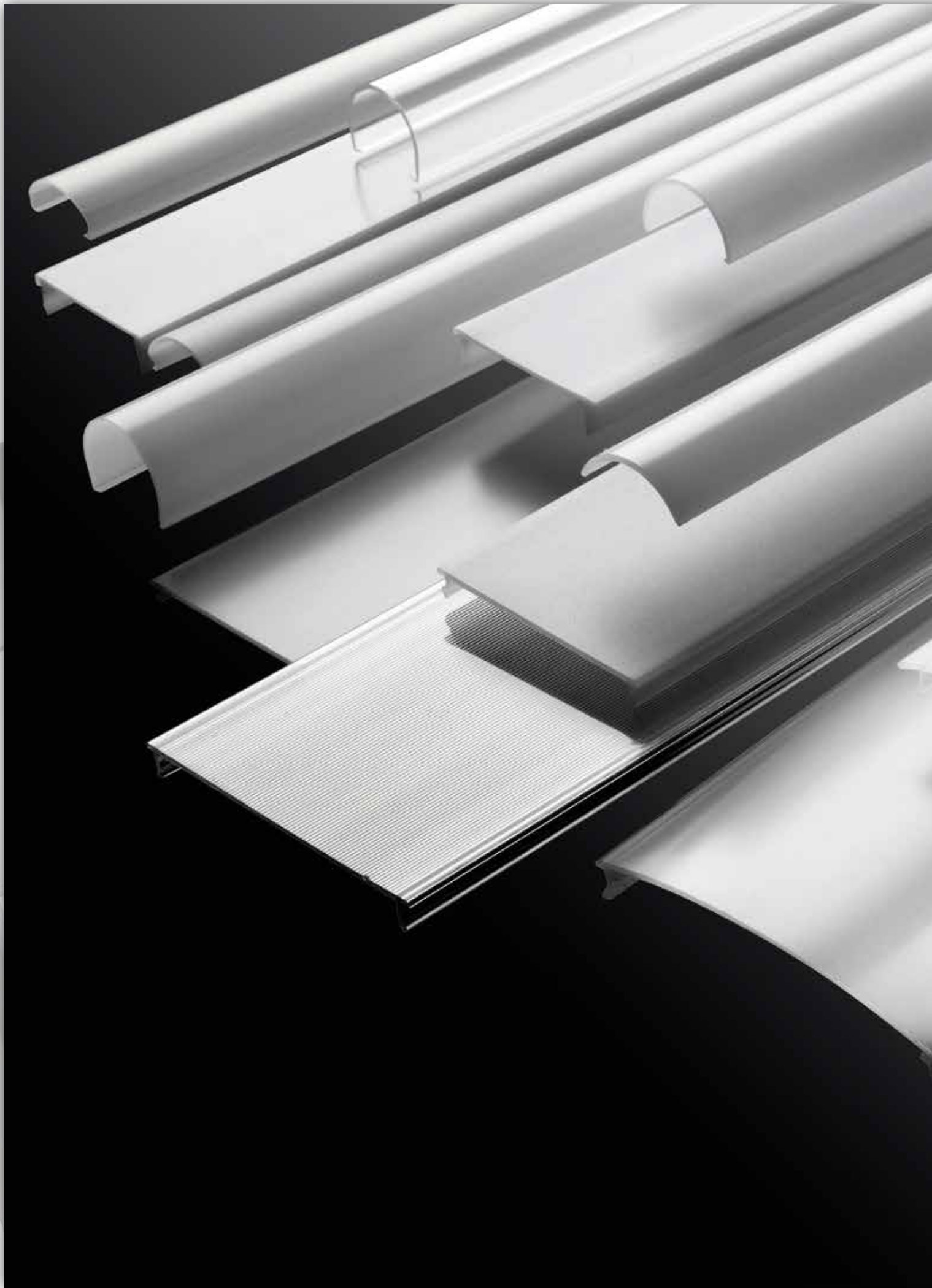


PTH guarantees to its customers a total care in the development of Extruded Plastic Profiles and Tubes and in its production through a design office supported by the use of last upgraded software, newest extrusion lines machines and technology, plastic raw material development and from the large experience gained by the subsidiary company in the tools production. This allow PTH to realize and develop particular projects on customer's request.

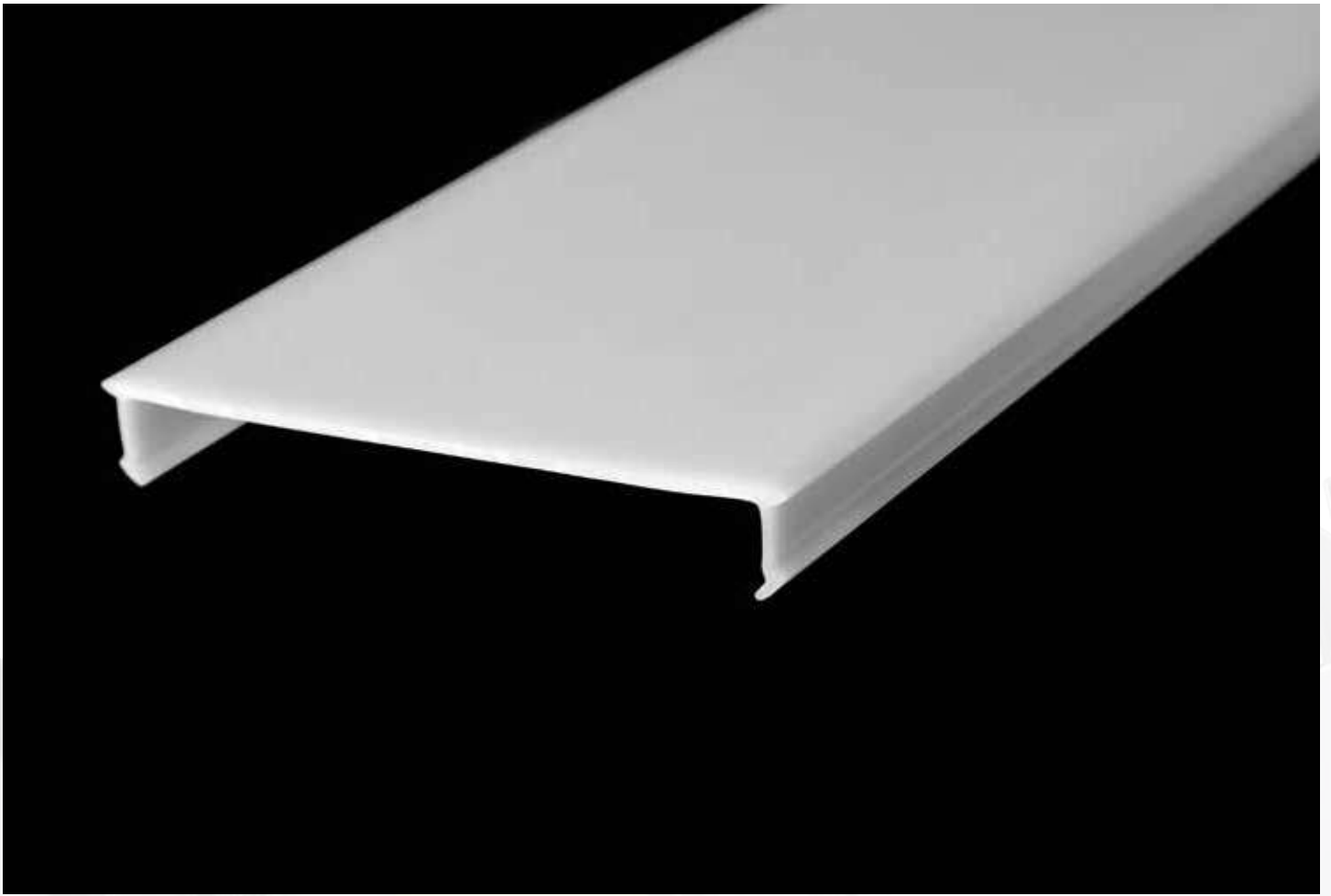
FACILITIES:

- 20 extrusion lines
- Construction and carrying out of internal tools
- More than 1000 produced profiles
- CAD/CAM
- Development of projects and technical elaboration of the profiles for the exclusive use of the customer
- Advice in the choice of material to extrude
- Advising and realisation of the profile in short times
- Test and trails of the mould
- Single, dual and triple extrusion
- Maintenance of equipment such to guarantee the constant quality of the product on time
- Quality control

*Some drawings of this catalog are exclusive property of our customers.
LED and Lighting Profiles and Diffusers drawings are only for illustrative purpose.
Technical modifications reserved*

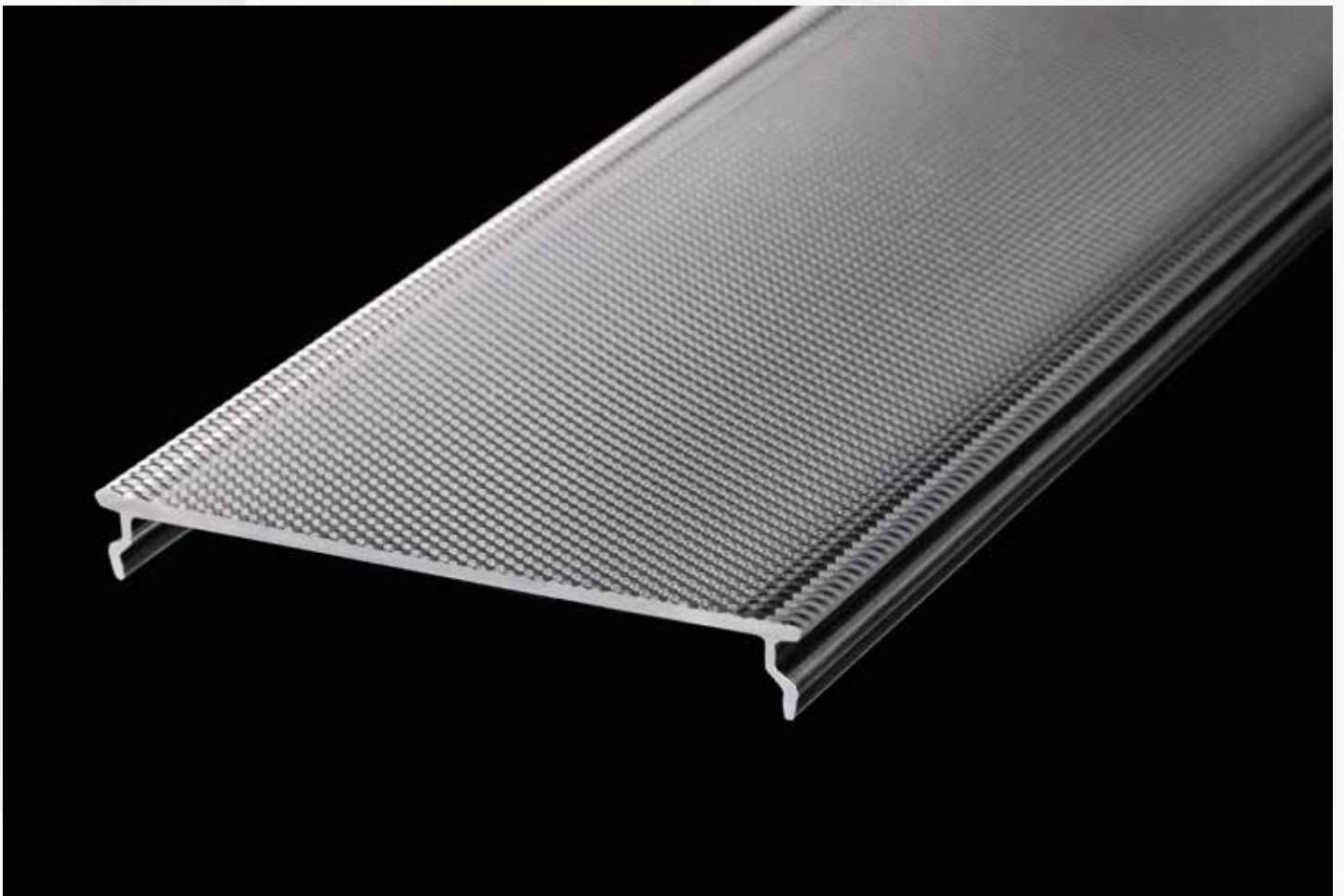






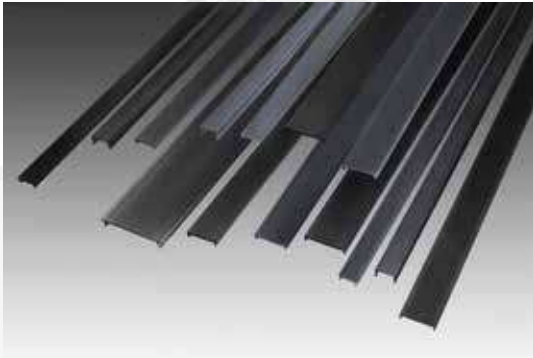
POLYCARBONATE SATIN SBB PROFILE

MICRO PRISMATIC PROFILE



PROFILES

PTH is specialized in development and extrusion of **Plastic Profiles** in a wide range of polymers in order to satisfy the most particular technical needs and requirements of customers.



Polycarbonate Transparent and Opal Profiles

Polycarbonate Satin Profiles

PMMA Transparent and Opal Profiles

PMMA Satin Profiles

Prismatic Profiles

Blend Profiles

ABS Profiles

PVC Profiles

Coextruded Profiles

APPLICATIONS:

• **Lighting**

- Technical
- Industrial
- Street
- Rail Train and Subway
- Outdoor & Indoor
- Illuminated advertising

• **LED**

• **Electronic**

• **Furnishing**

- Kitchens and Wardrobes

• **Automotive**

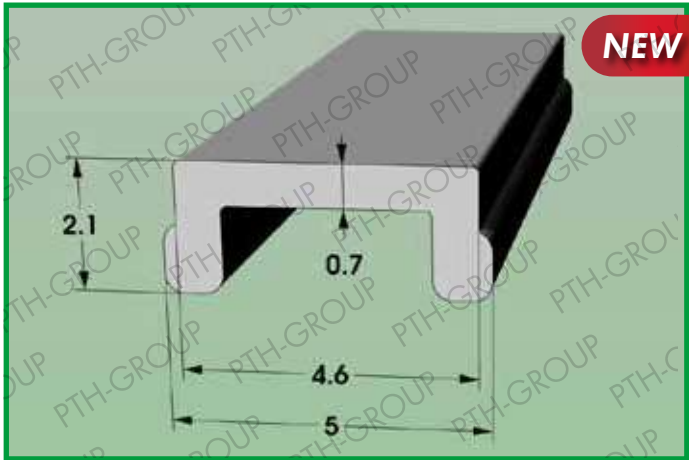
- Bus and Trains

• **Building**

- Partitions Wall Systems
- Glass Wall Partition

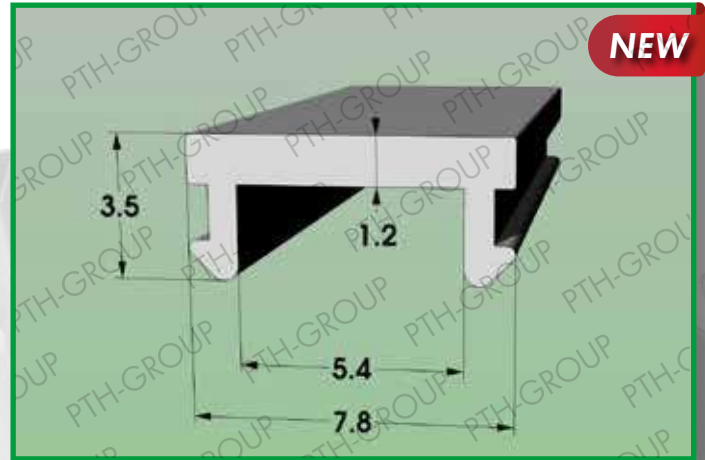
Profile 1010.469

Material: POLYCARBONATE CLEAR / OPAL



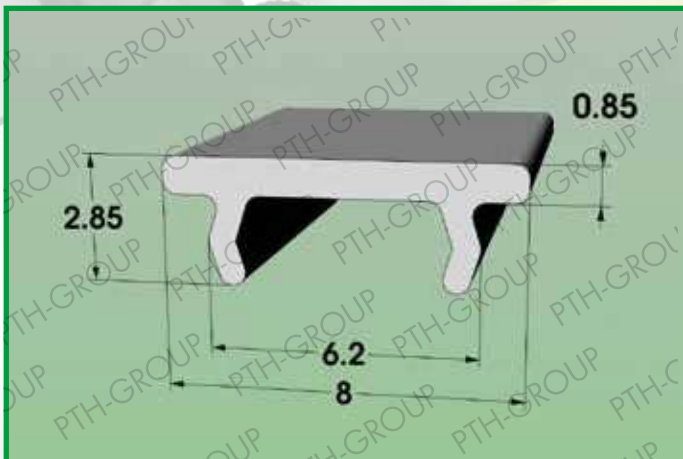
Profile 1010.458

Material: POLYCARBONATE CLEAR / OPAL



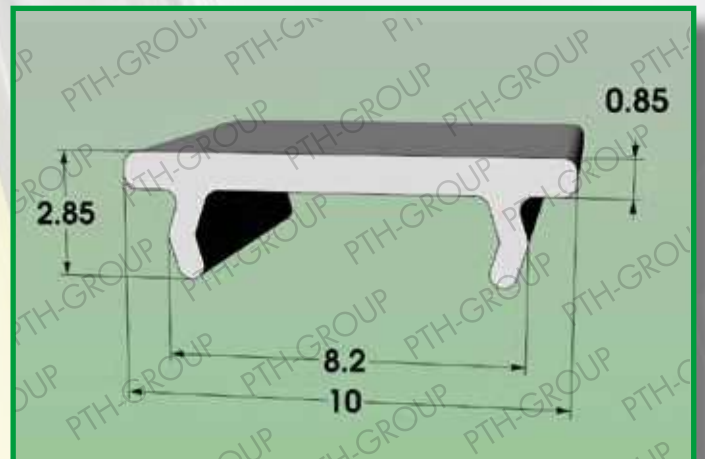
Profile 1010.451

Material: POLYCARBONATE CLEAR / OPAL



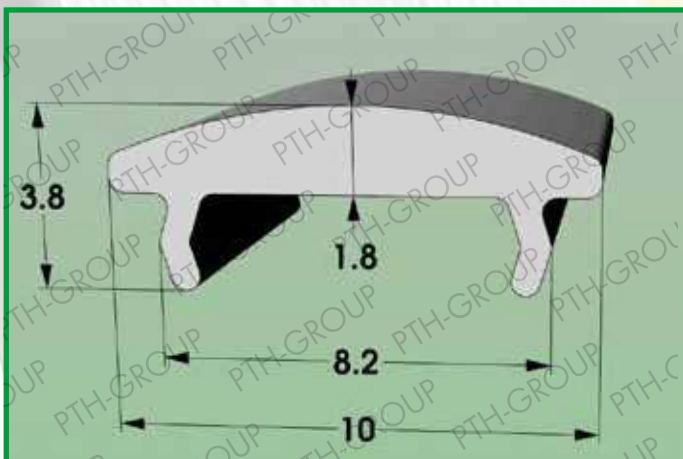
Profile 1010.452

Material: POLYCARBONATE CLEAR / OPAL



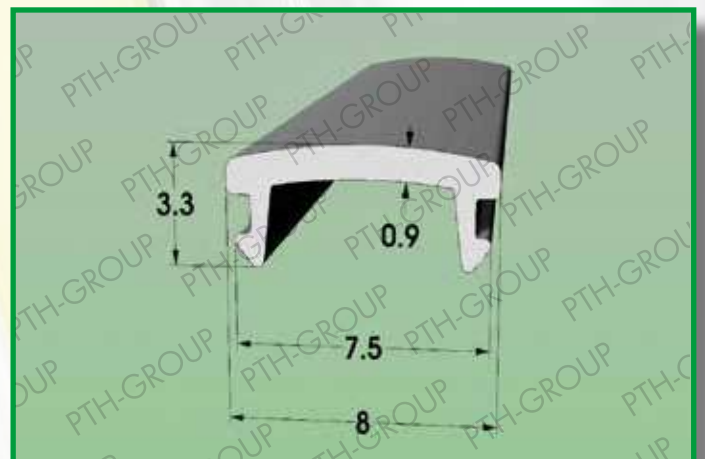
Profile 1010.453

Material: POLYCARBONATE CLEAR / OPAL



Profile 1010.211

Material: POLYCARBONATE CLEAR / OPAL



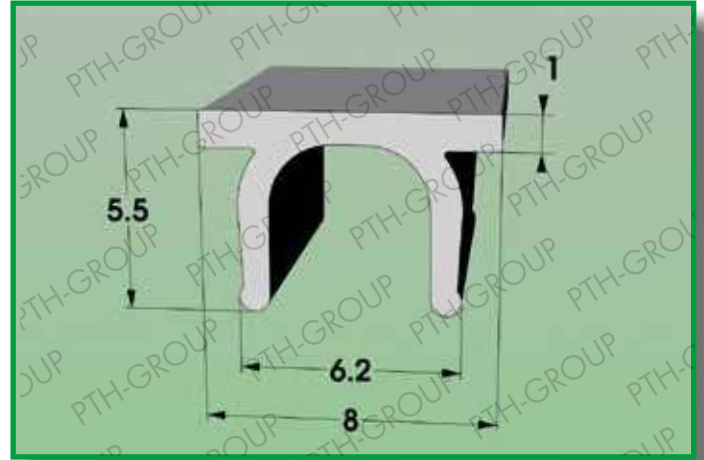
Profile 1010.92

Material: POLYCARBONATE CLEAR / OPAL



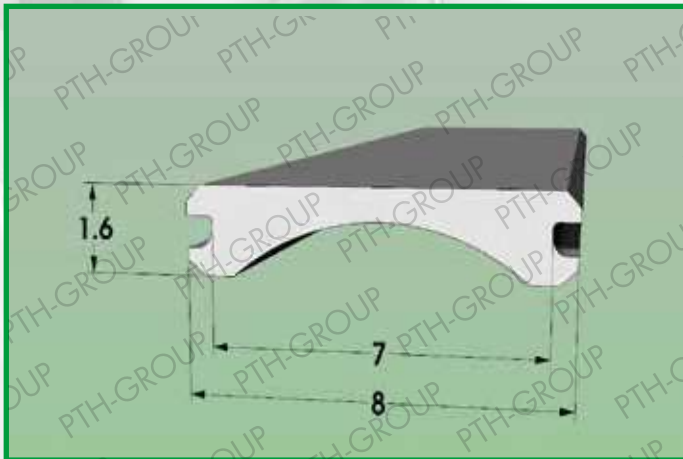
Profile 1010.450

Material: POLYCARBONATE CLEAR / OPAL



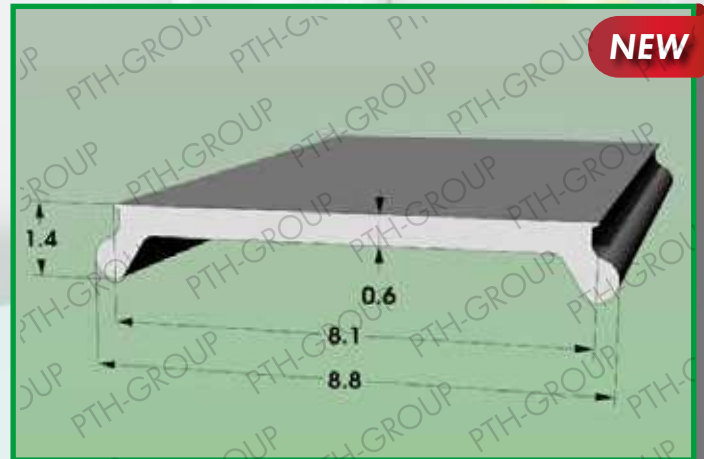
Profile 1010.139

Material: POLYCARBONATE CLEAR / OPAL



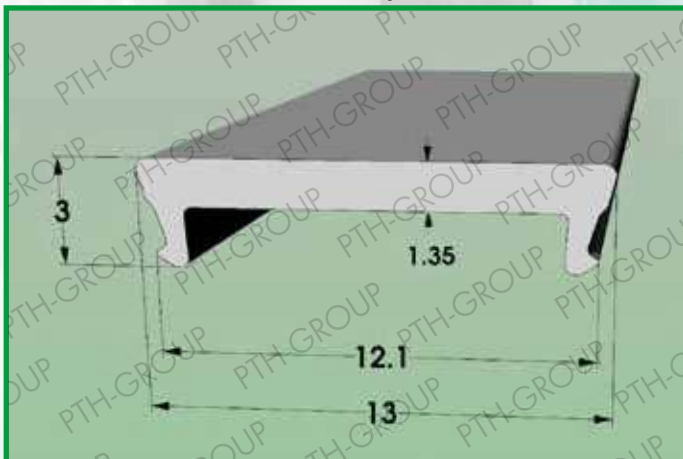
Profile 1010.504

Material: POLYCARBONATE CLEAR / OPAL



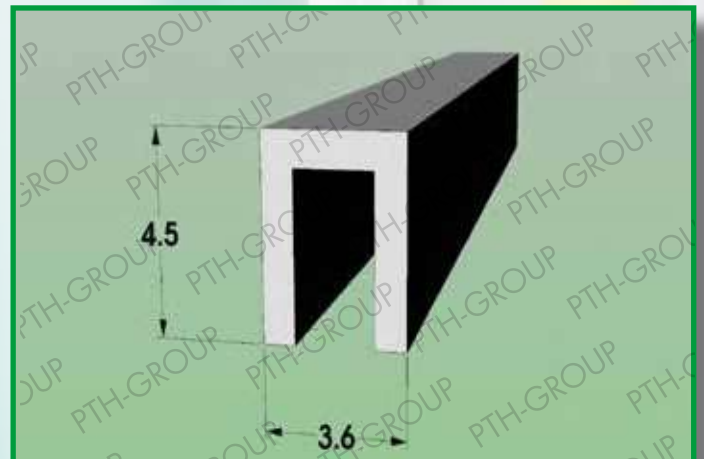
Profile 1010.402

**Material: POLYCARBONATE CLEAR / OPAL
PMMA CLEAR / SATIN**

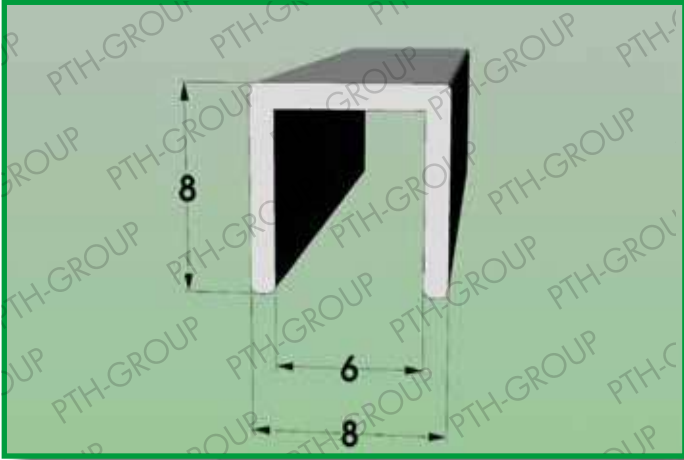


Profile 1010.88

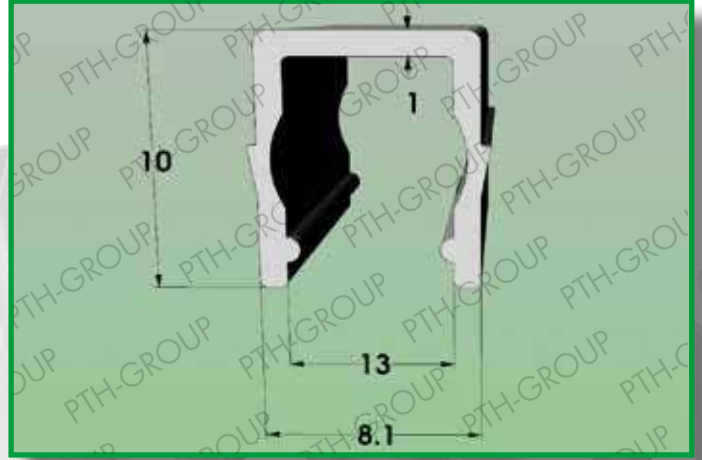
Material: POLYCARBONATE CLEAR / OPAL



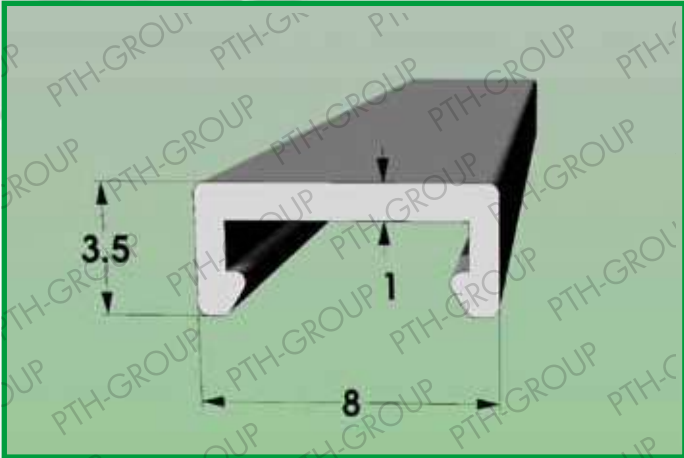
Profile 1010.302
Material: PMMA CLEAR / SATIN



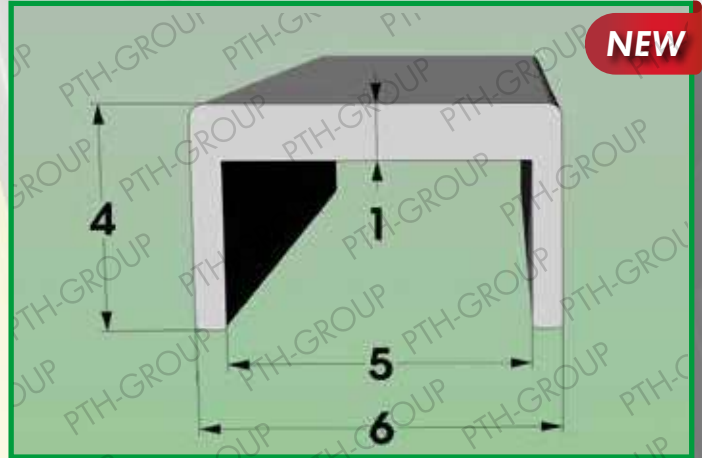
Profile 1010.288
Material: POLYCARBONATE



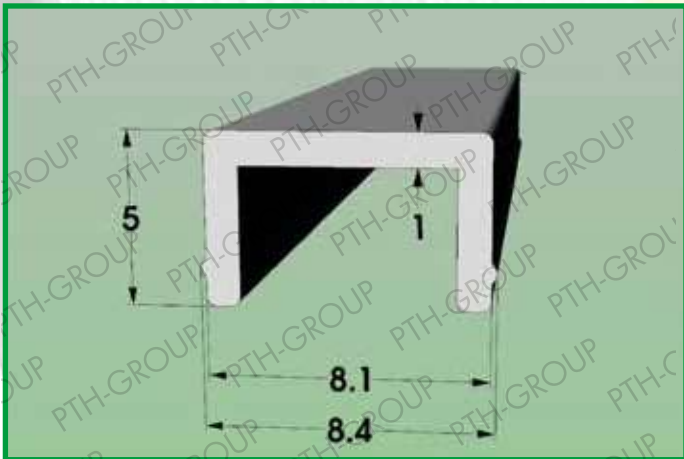
Profile 1010.406
Material: POLYCARBONATE CLEAR / OPAL
PMMA CLEAR / SATIN



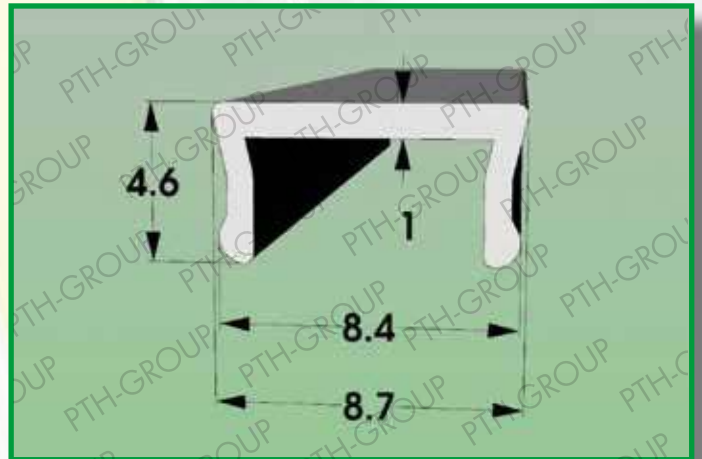
Profile 1010.509
Material: POLYCARBONATE CLEAR / OPAL
PMMA CLEAR / OPAL



Profile 1010.344
Material: POLYCARBONATE CLEAR / OPAL / SATIN SBB
PMMA CLEAR / SATIN

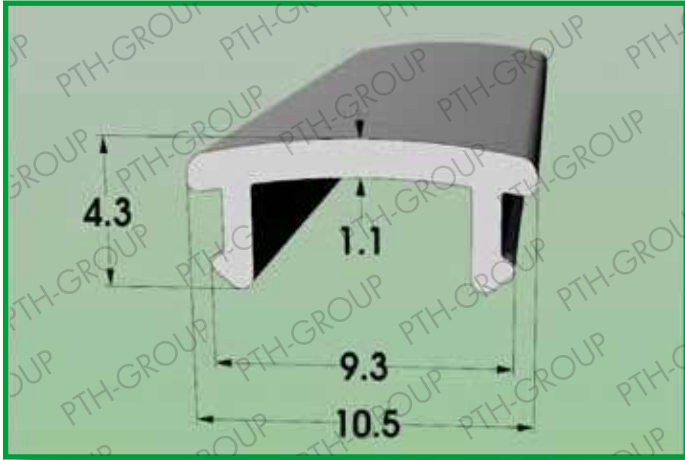


Profile 1010.392
Material: POLYCARBONATE CLEAR / OPAL
PMMA CLEAR / SATIN



Profile 1010.132

**Material: POLYCARBONATE CLEAR / OPAL
PMMA CLEAR / SATIN**



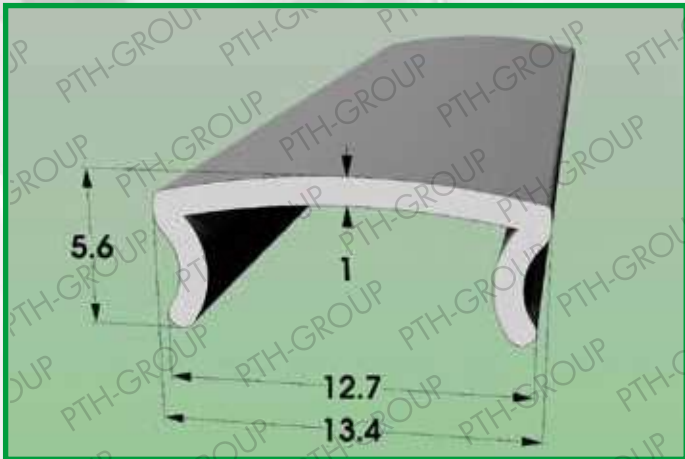
Profile 1010.415

Material: POLYCARBONATE CLEAR / OPAL



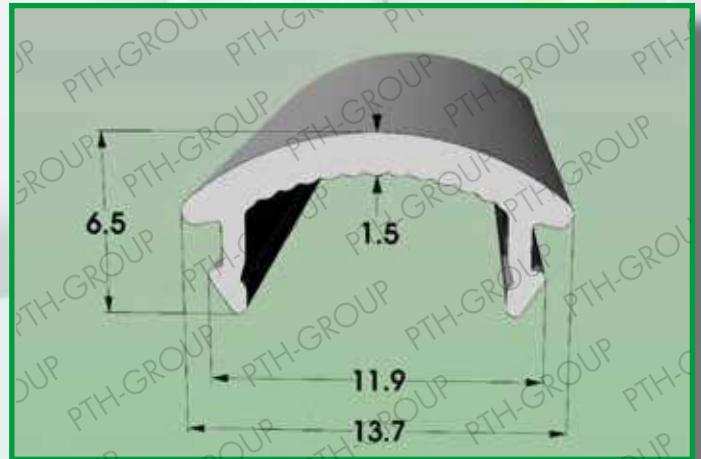
Profile 1010.388

**Material: POLYCARBONATE CLEAR / OPAL
PMMA CLEAR / SATIN**



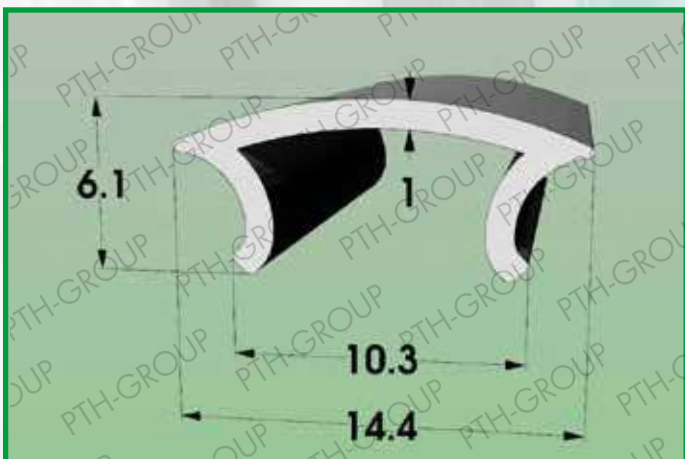
Profile 1010.143

Material: POLYCARBONATE CLEAR / OPAL



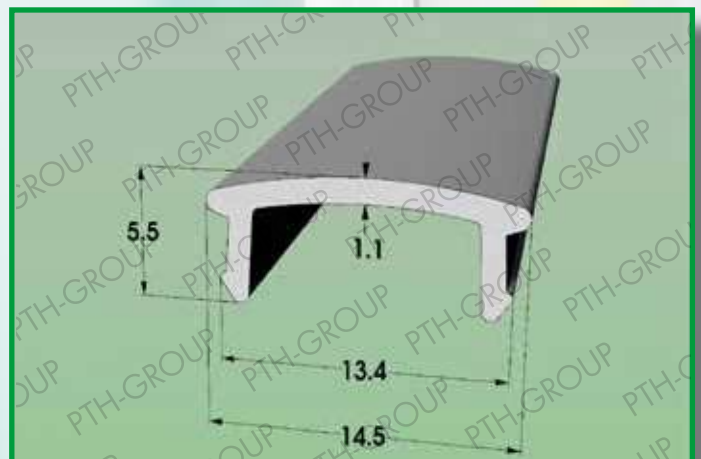
Profile 1010.225

Material: POLYCARBONATE



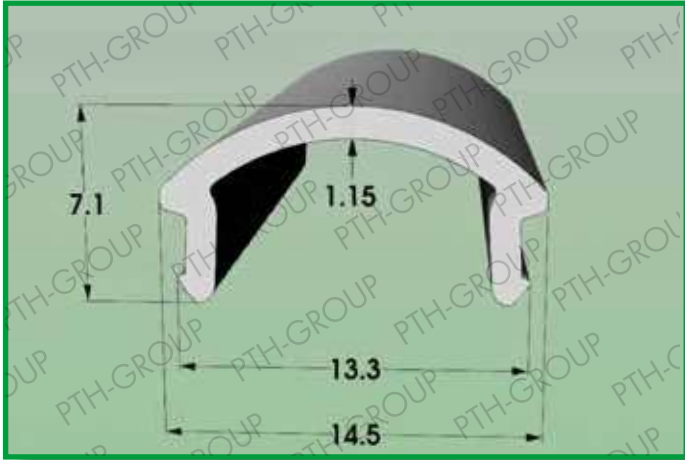
Profile 1010.54

**Material: POLYCARBONATE CLEAR/OPAL/SATIN SBB
PMMA SATIN**



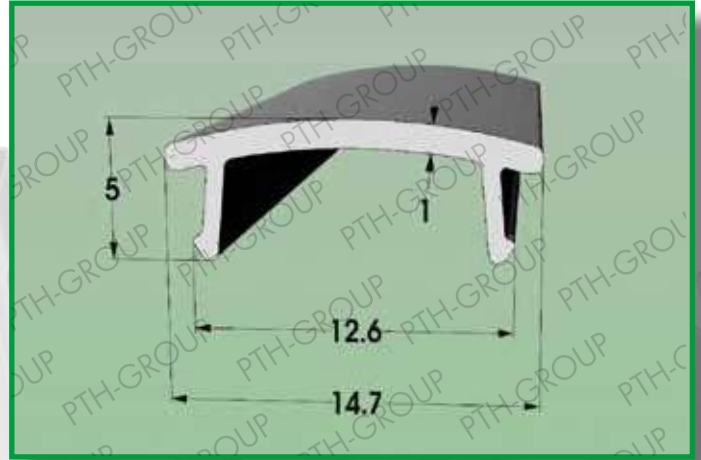
Profile 1010.140

**Material: POLYCARBONATE CLEAR / OPAL
PMMA CLEAR / SATIN**



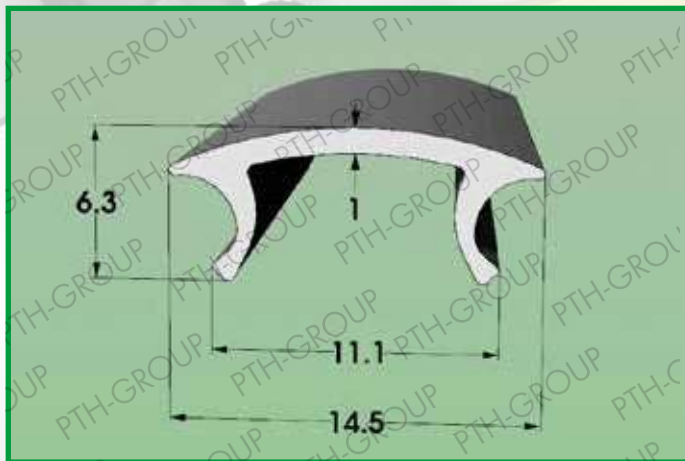
Profile 1010.213

**Material: POLYCARBONATE CLEAR / OPAL
PMMA CLEAR / SATIN**



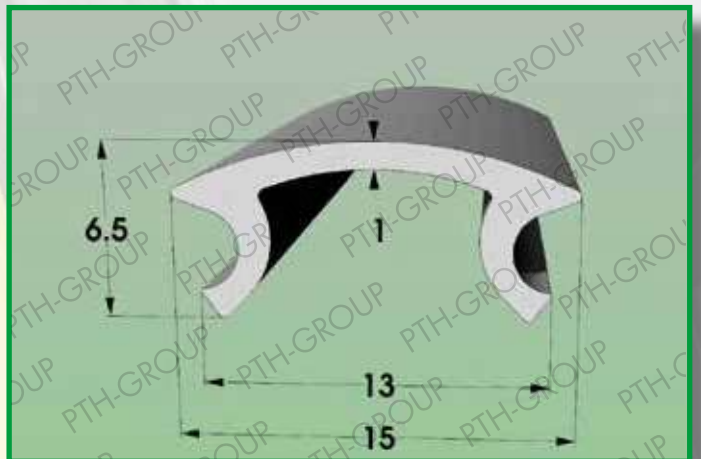
Profile 1010.299

Material: POLYCARBONATE CLEAR / OPAL



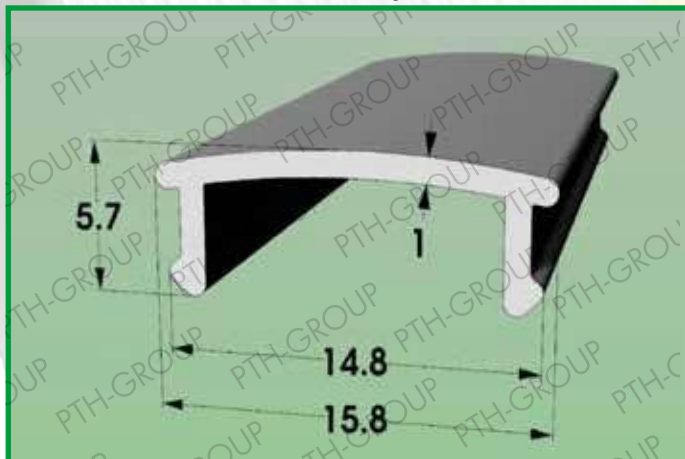
Profile 1010.399

Material: POLYCARBONATE CLEAR / OPAL



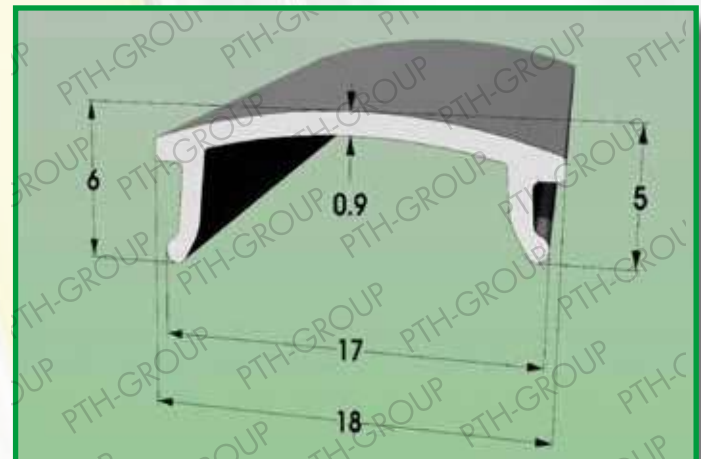
Profile 1010.349

**Material: POLYCARBONATE CLEAR / OPAL
PMMA CLEAR / SATIN**



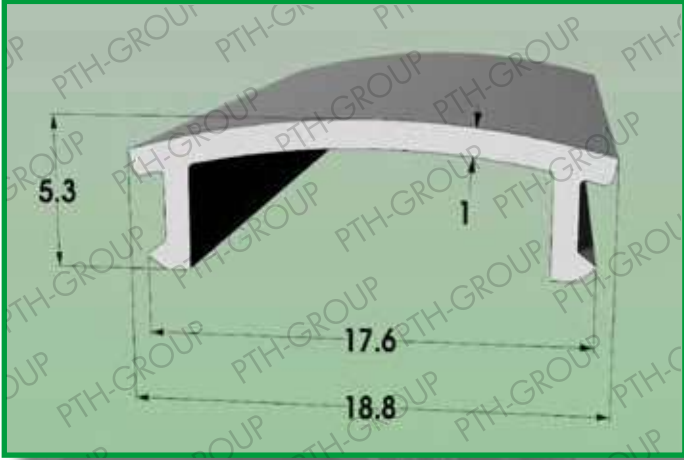
Profile 1010.47

Material: POLYCARBONATE CLEAR/OPAL/SATIN SBB



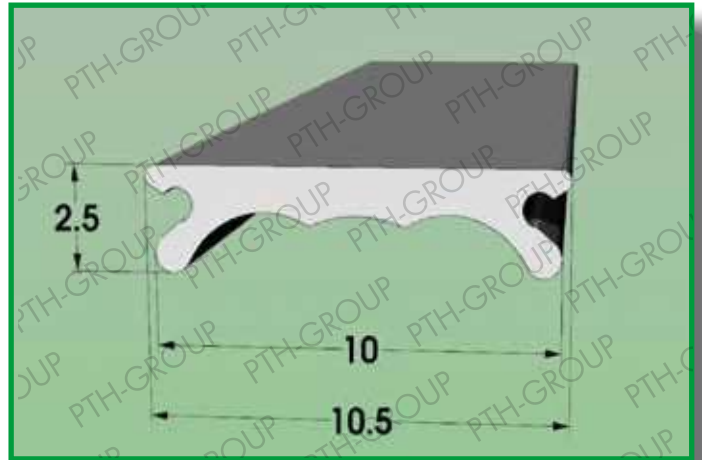
Profile 1010.149

**Material: POLYCARBONATE CLEAR / OPAL
PMMA CLEAR / SATIN**



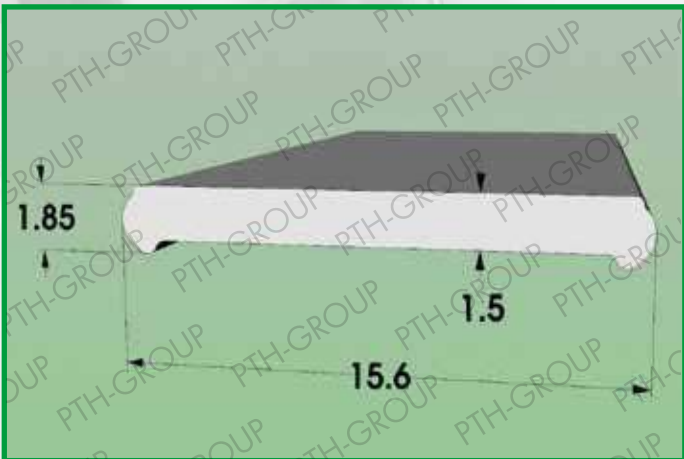
Profile 1010.153

Material: POLYCARBONATE CLEAR / OPAL



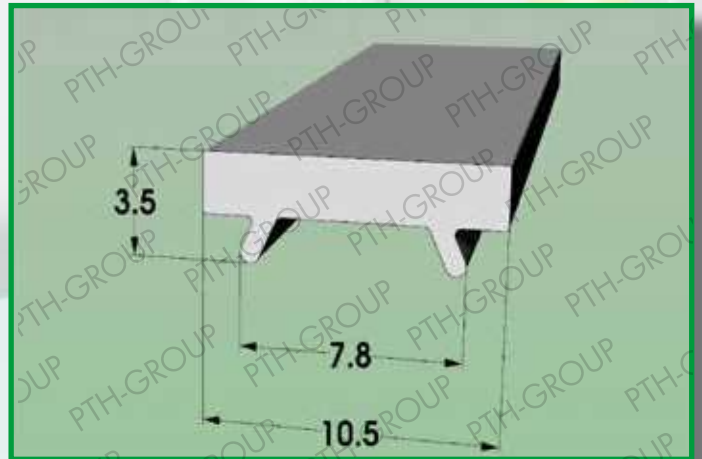
Profile 1010.421

Material: POLYCARBONATE CLEAR / OPAL



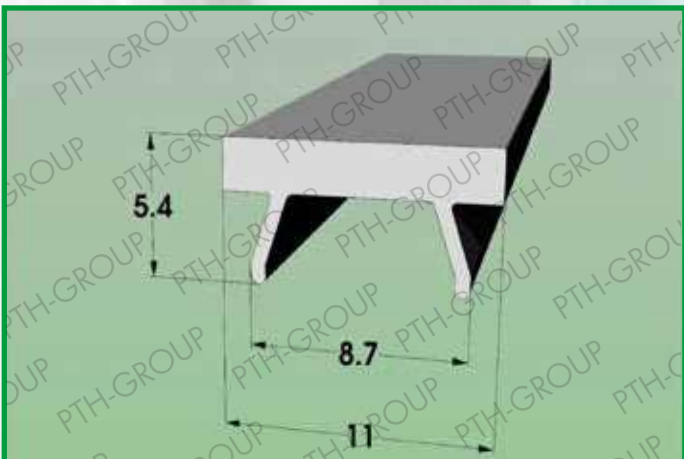
Profile 1010.273

Material: POLYCARBONATE CLEAR / OPAL



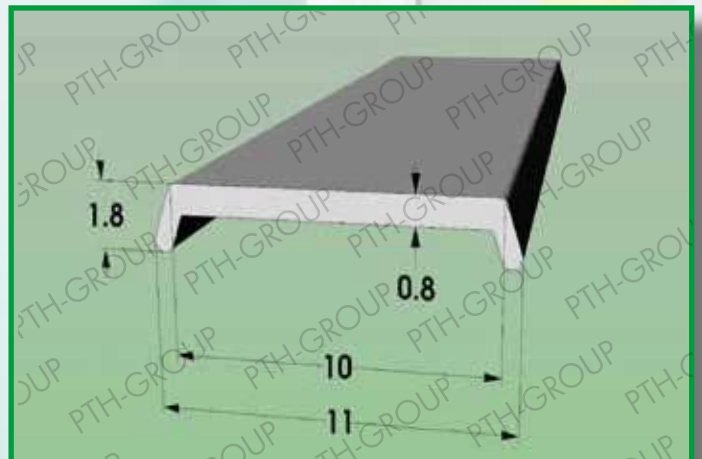
Profile 1010.261

Material: POLYCARBONATE CLEAR / OPAL



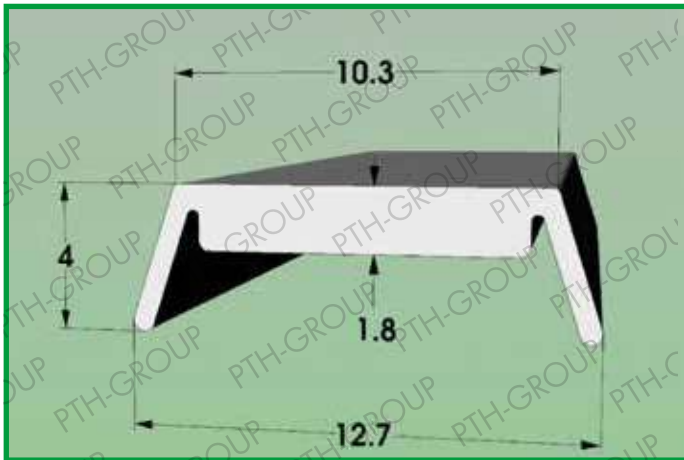
Profile 1010.315

Material: POLYCARBONATE CLEAR/OPAL/SATIN SBB



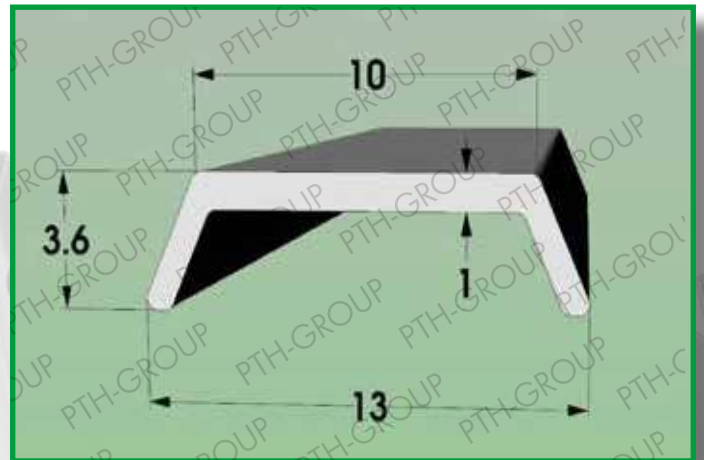
Profile 1010.144

Material: POLYCARBONATE CLEAR / OPAL



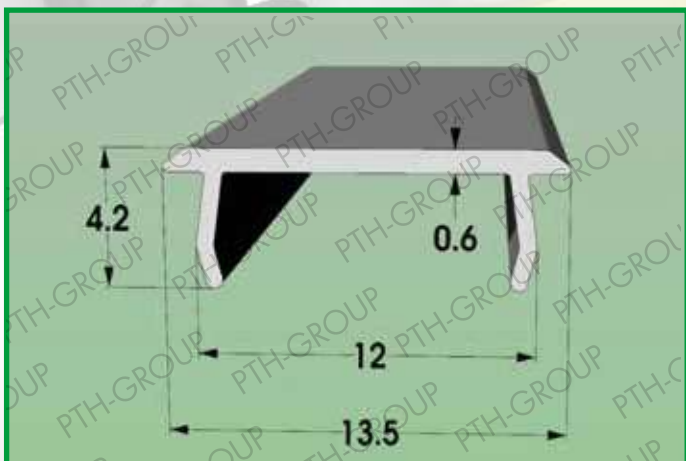
Profile 1010.142

Material: POLYCARBONATE CLEAR / OPAL



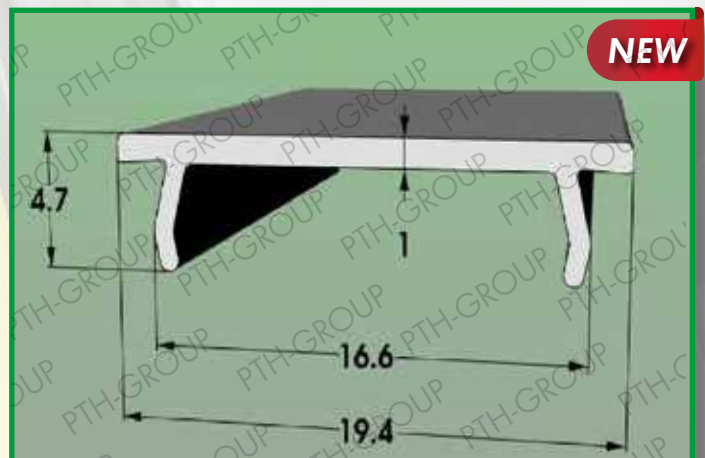
Profile 1010.177

Material: POLYCARBONATE CLEAR / OPAL



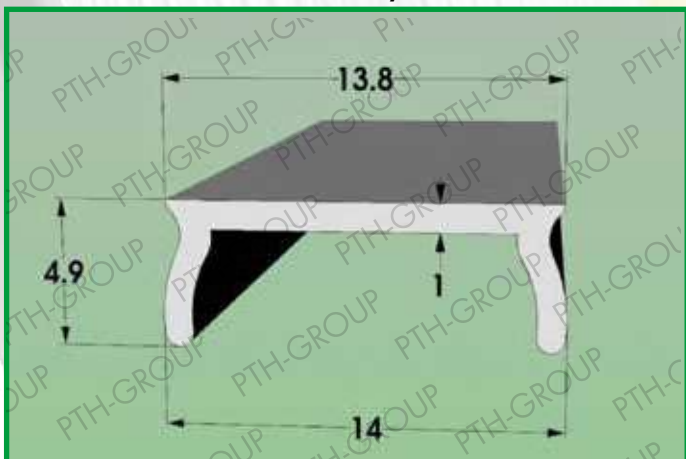
Profile 1010.489

Material: POLYCARBONATE CLEAR / OPAL / SATIN SBB



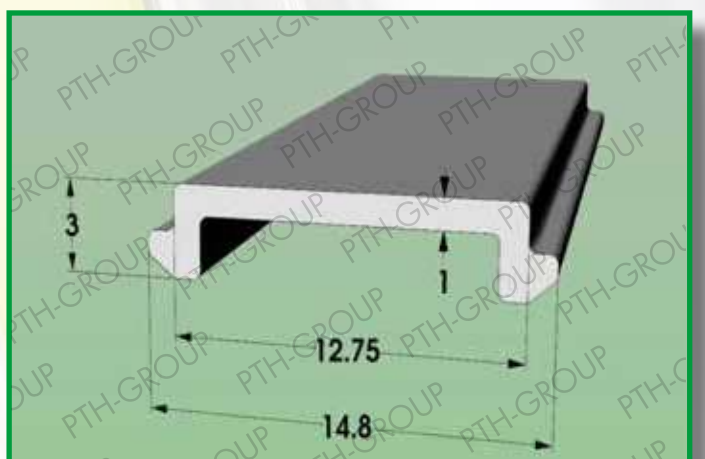
Profile 1010.141

**Material: POLYCARBONATE CLEAR / OPAL
PMMA CLEAR / SATIN**



Profile 1010.120

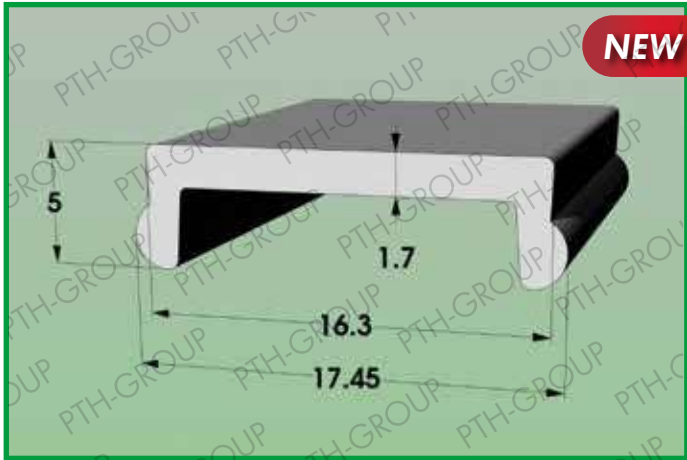
Material: POLYCARBONATE CLEAR / OPAL



Profile 1010.511

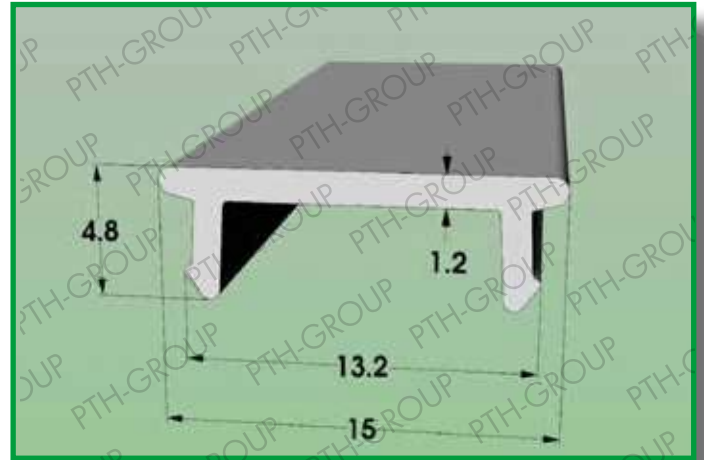
Material: POLYCARBONATE CLEAR / OPAL

NEW



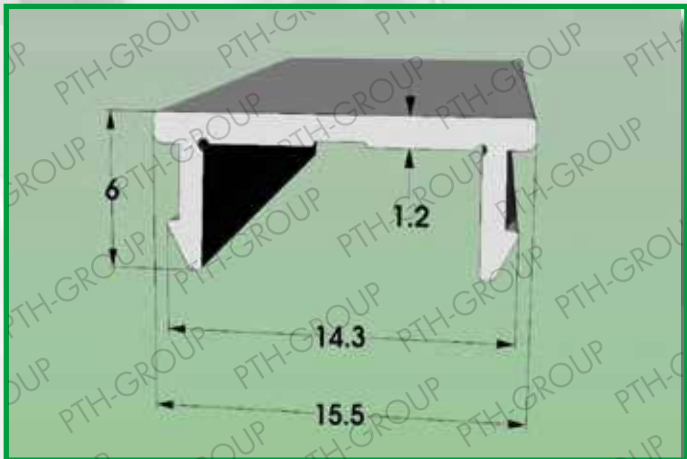
Profile 1010.175

**Material: POLYCARBONATE CLEAR / OPAL
PMMA CLEAR / SATIN**



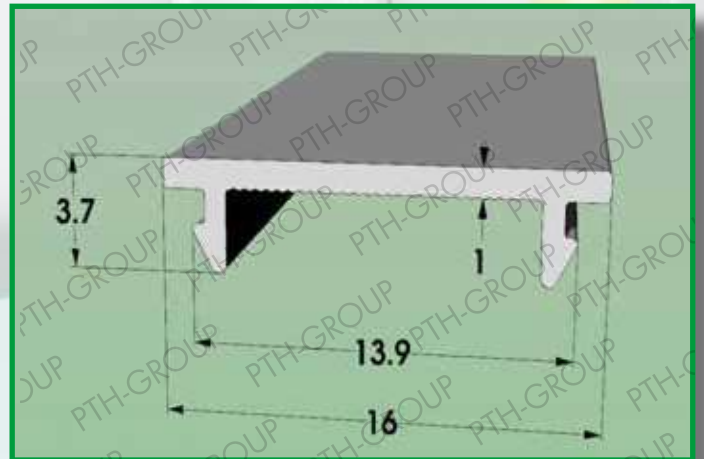
Profile 1010.291

Material : POLYCARBONATE CLEAR / OPAL



Profile 1010.156

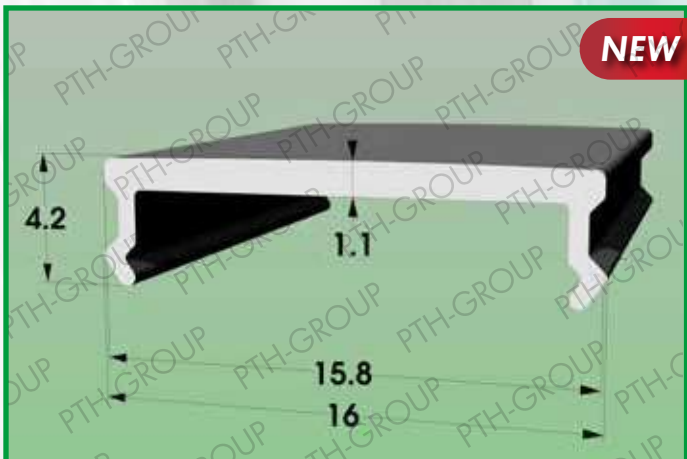
**Material: POLYCARBONATE CLEAR / OPAL
PMMA CLEAR / SATIN**



Profile 1010.475

**Material: POLYCARBONATE CLEAR / OPAL / SATIN SBB
PMMA SATIN**

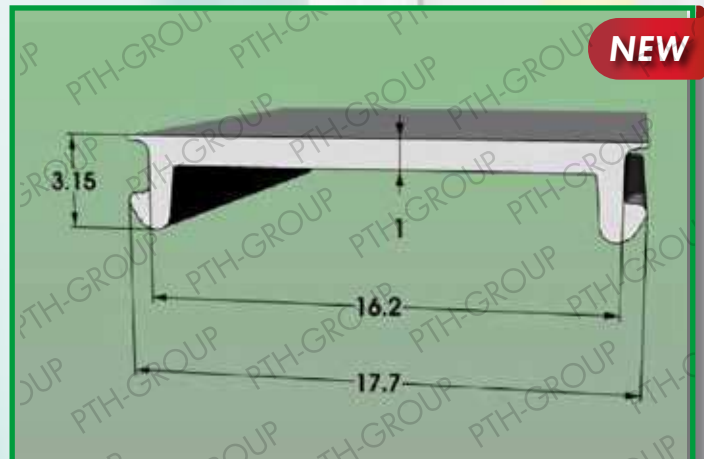
NEW



Profile 1010.496

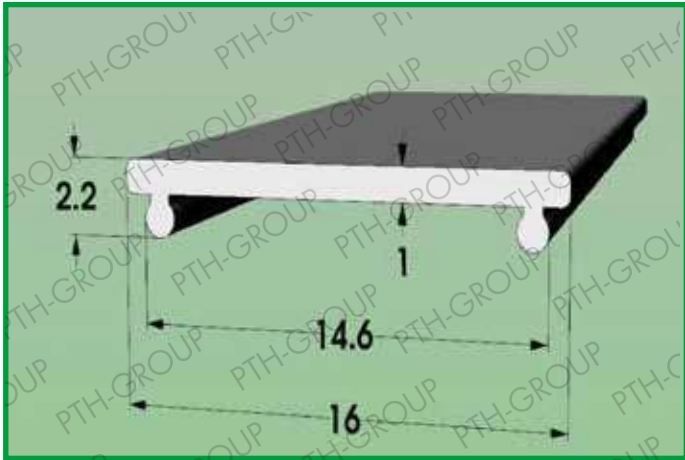
**Material: POLYCARBONATE CLEAR / OPAL / SATIN SBB
PMMA SATIN**

NEW



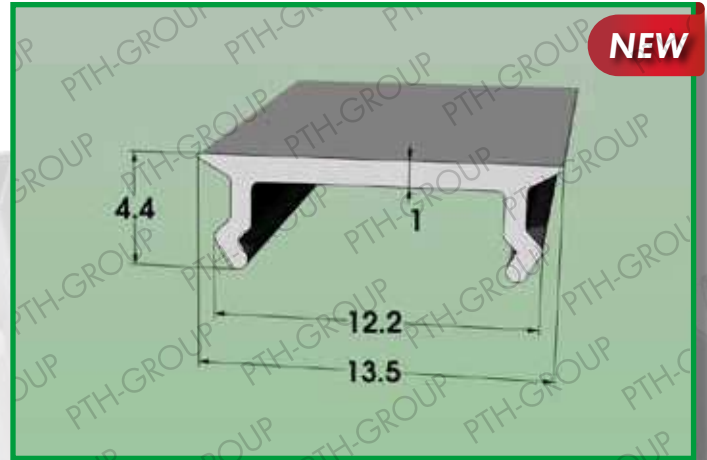
Profile 1010.365

Material: POLYCARBONATE CLEAR / OPAL / SATIN SBB



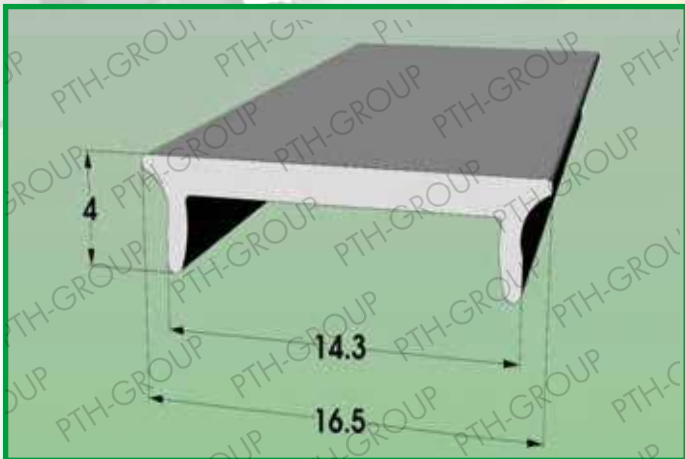
Profile 1010.457

Material: POLYCARBONATE CLEAR / OPAL / SATIN SBB



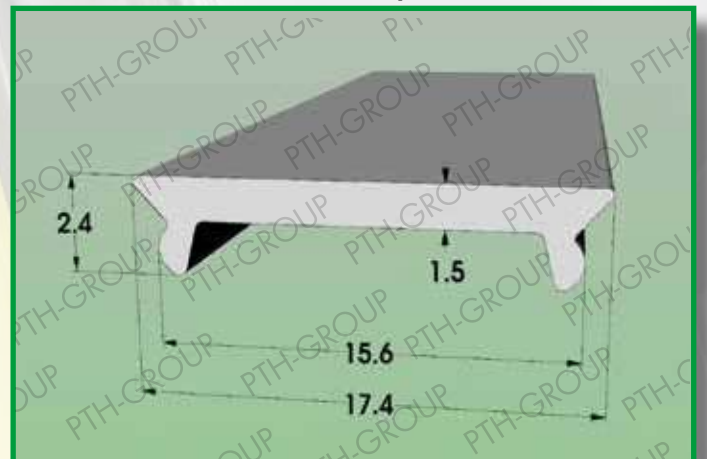
Profile 1010.275

**Material: POLYCARBONATE CLEAR / OPAL
PMMA CLEAR / SATIN**



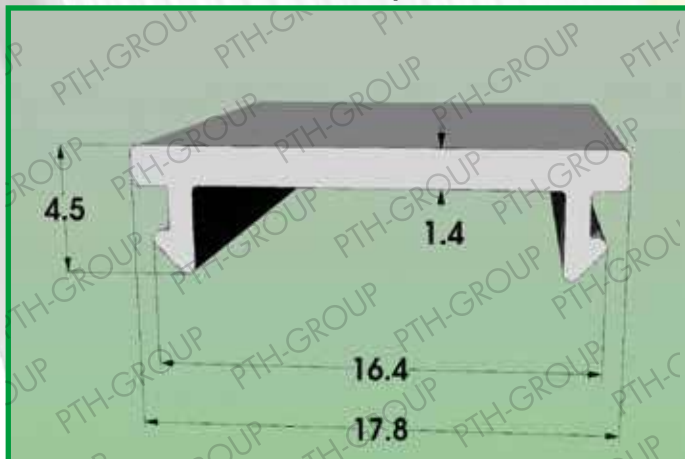
Profile 1010.420

**Material: POLYCARBONATE CLEAR / OPAL
PMMA CLEAR / SATIN**



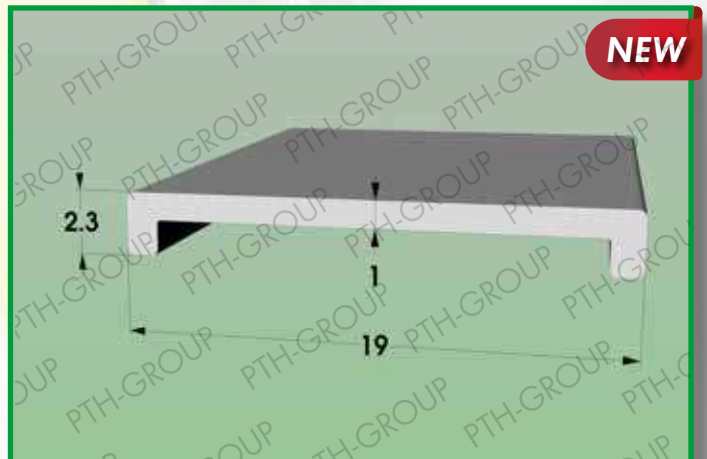
Profile 1010.428

**Material: POLYCARBONATE CLEAR / OPAL
PMMA CLEAR / SATIN**



Profile 1010.479

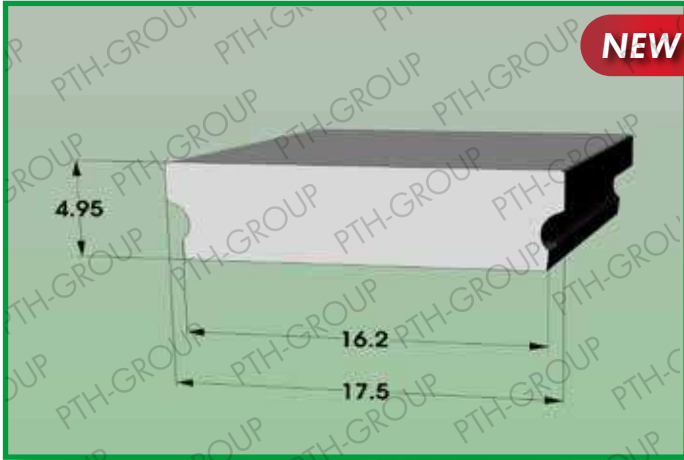
Material: POLYCARBONATE CLEAR / OPAL / SATIN SBB



Profile 1010.501

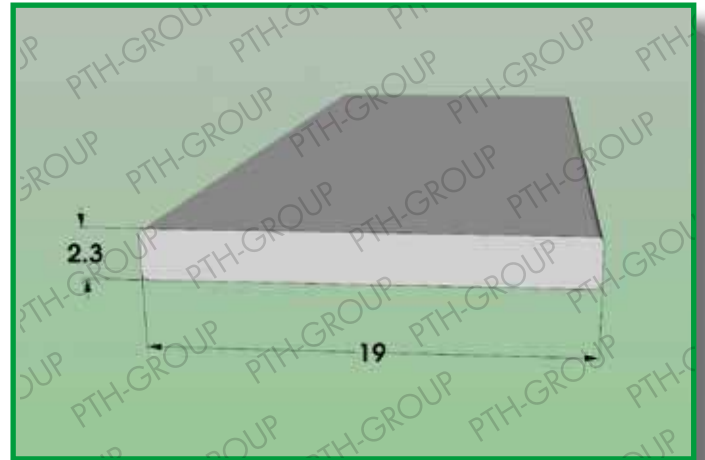
**Material: POLYCARBONATE CLEAR / OPAL / SATIN SBB
PMMA CLEAR / SATIN**

NEW



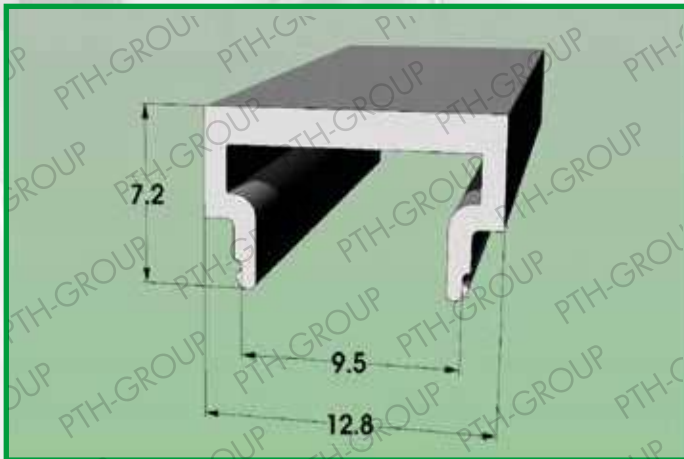
Profile 1010.411

Material: POLYCARBONATE CLEAR / OPAL



Profile 1010.267

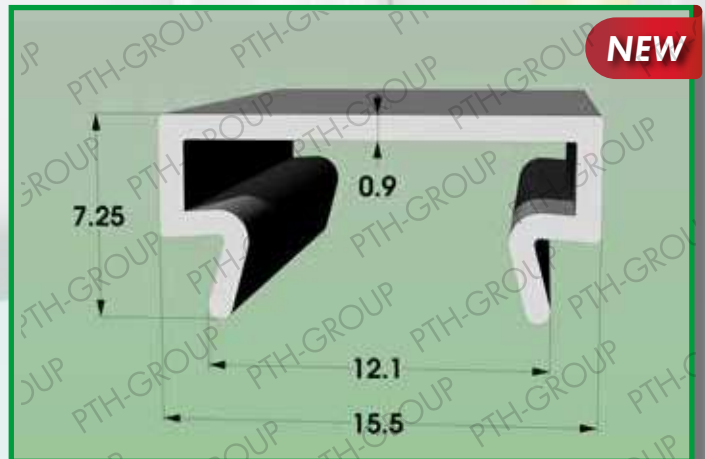
**Material: POLYCARBONATE CLEAR / OPAL
PMMA CLEAR / SATIN**



Profile 1010.480

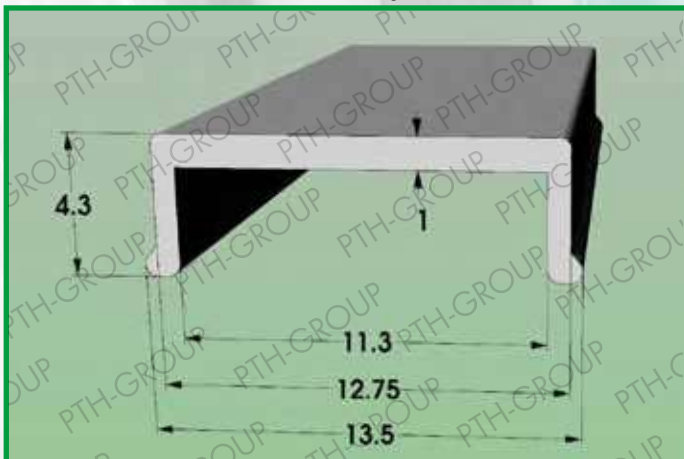
Material: POLYCARBONATE CLEAR / OPAL / SATIN SBB

NEW



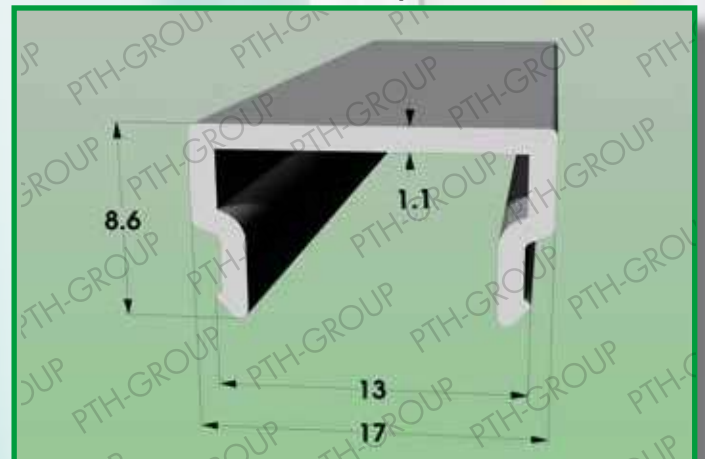
Profile 1010.403

**Material: POLYCARBONATE CLEAR / OPAL
PMMA CLEAR / SATIN**



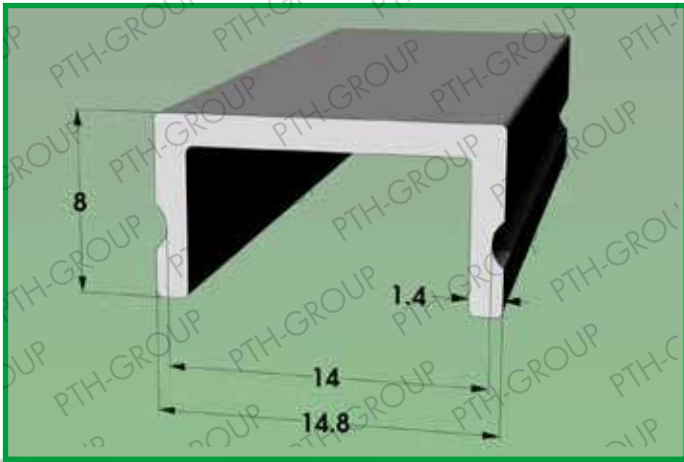
Profile 1010.391

**Material: POLYCARBONATE CLEAR / OPAL
PMMA CLEAR / SATIN**



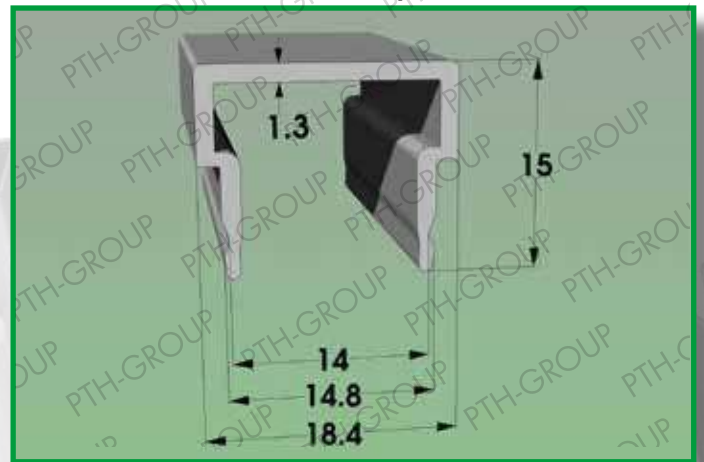
Profile 1010.146

**Material: POLYCARBONATE CLEAR / OPAL / SATIN SBB
PMMA SATIN**



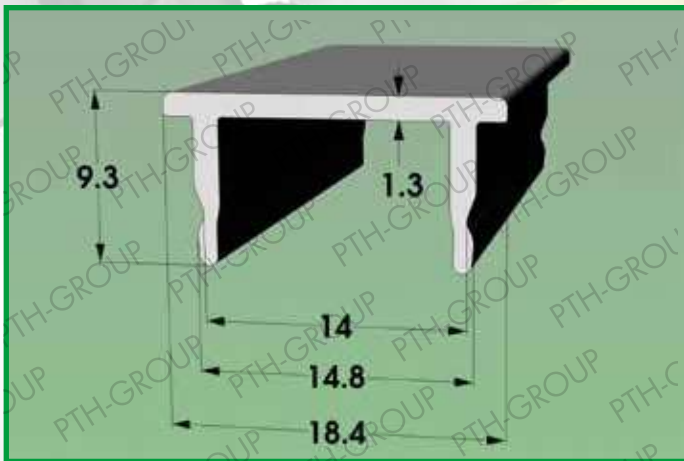
Profile 1010.337

**Material: POLYCARBONATE CLEAR / OPAL
PMMA CLEAR / SATIN**



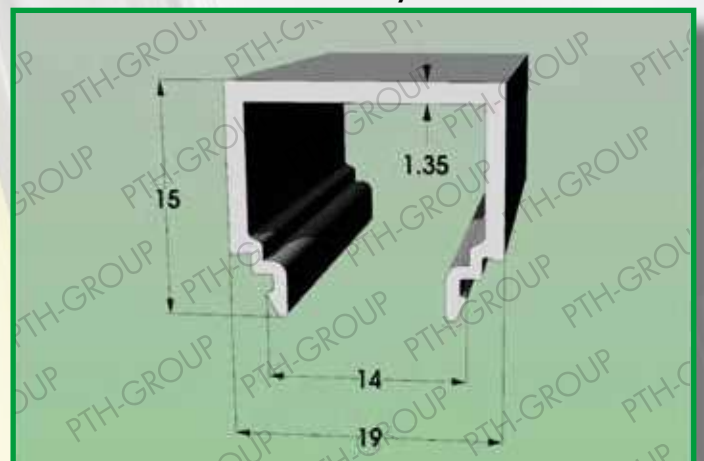
Profile 1010.336

**Material: POLYCARBONATE CLEAR / OPAL
PMMA CLEAR / SATIN**



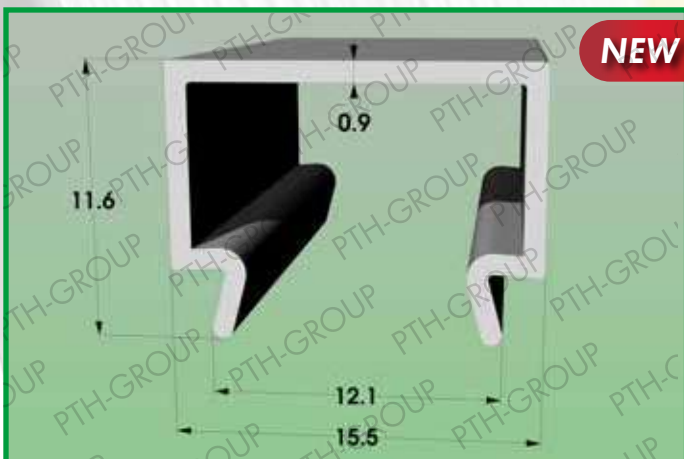
Profile 1010.256

**Material: POLYCARBONATE CLEAR / OPAL
PMMA CLEAR / SATIN**



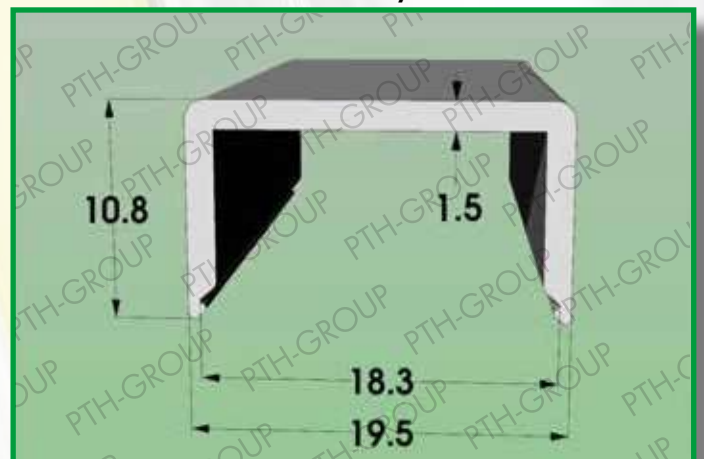
Profile 1010.477

Material: POLYCARBONATE CLEAR / OPAL / SATIN SBB



Profile 1010.154

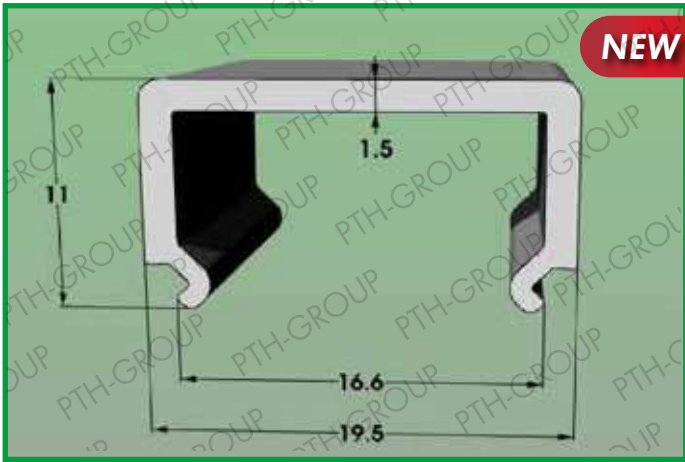
**Material: POLYCARBONATE CLEAR / OPAL
PMMA CLEAR / SATIN**



Profile 1010.497

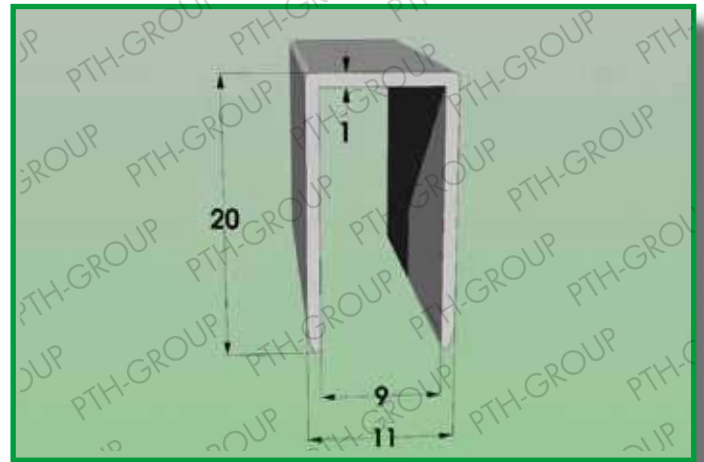
Material: POLYCARBONATE CLEAR / OPAL / SATIN SBB

NEW



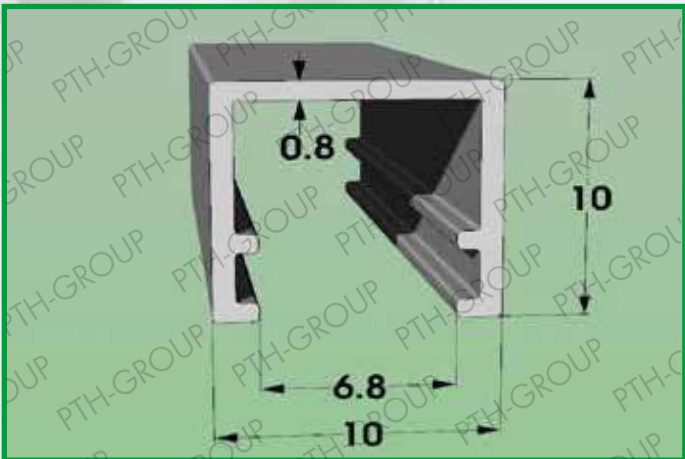
Profile 1010.127

Material: POLYCARBONATE CLEAR / OPAL



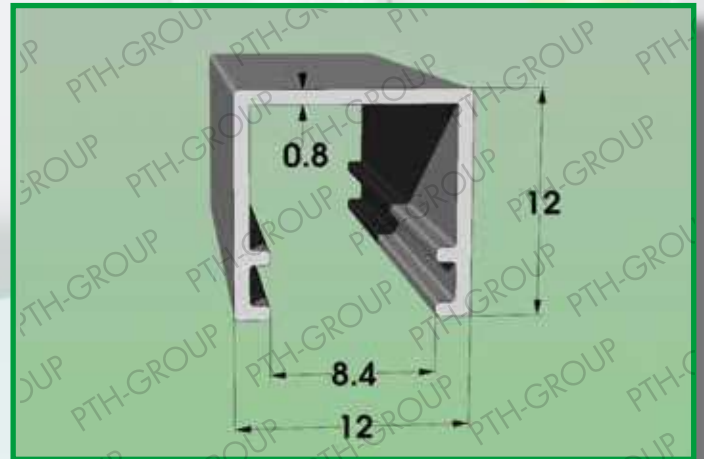
Profile 1010.330

Material: POLYCARBONATE CLEAR / OPAL



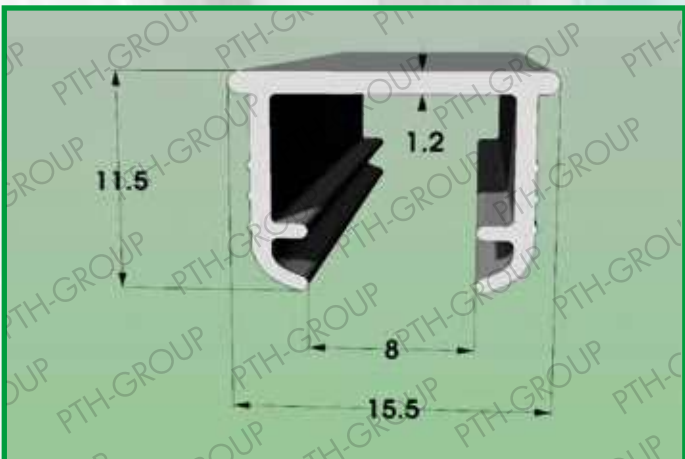
Profile 1010.327

Material: POLYCARBONATE CLEAR / OPAL



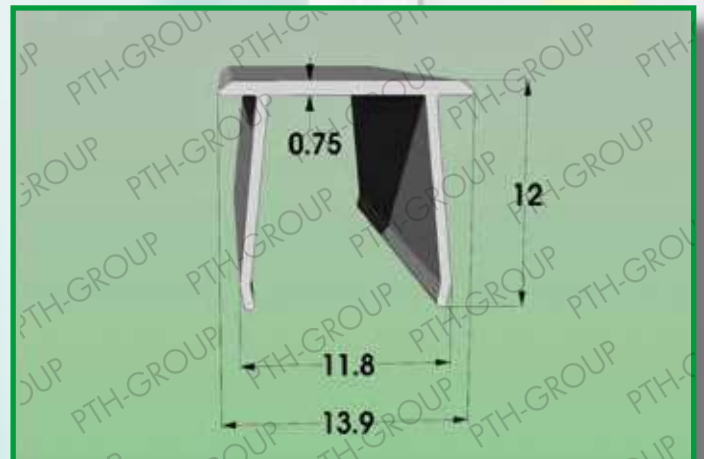
Profile 1010.408

Material: POLYCARBONATE CLEAR / OPAL



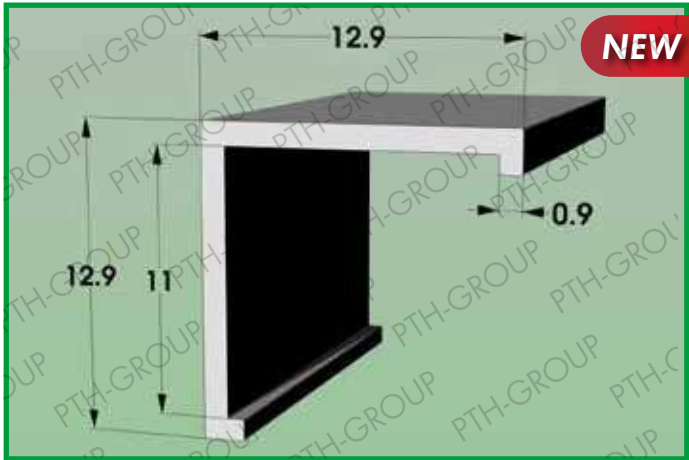
Profile 1010.329

Material: POLYCARBONATE CLEAR / OPAL



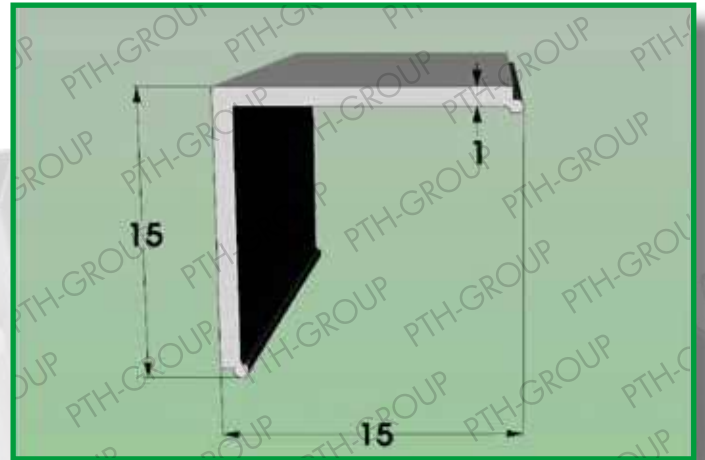
Profile 1010.502

Material: POLYCARBONATE CLEAR / OPAL



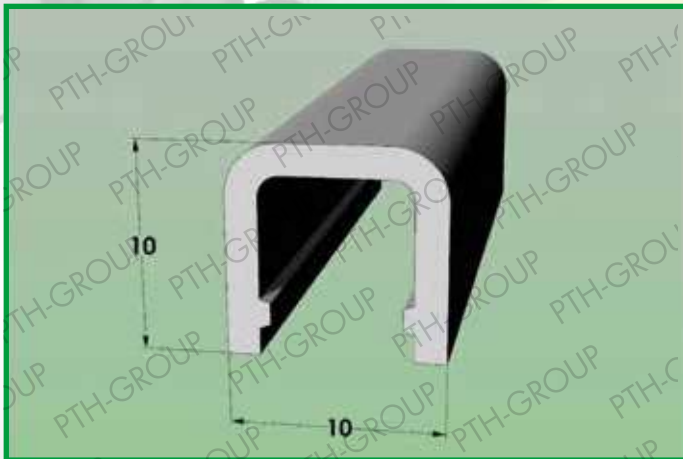
Profile 1010.281

Material: PMMA CLEAR / SATIN



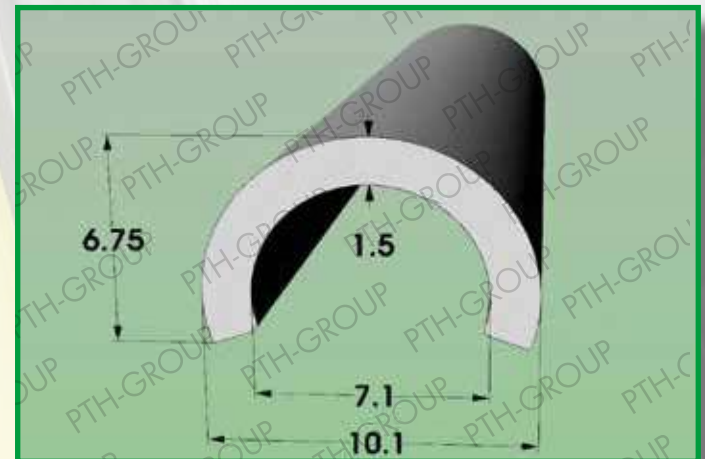
Profile 1010.55

**Material: POLYCARBONATE CLEAR / OPAL
PMMA CLEAR / SATIN**



Profile 1010.389

**Material: POLYCARBONATE CLEAR / OPAL
PMMA CLEAR / SATIN**



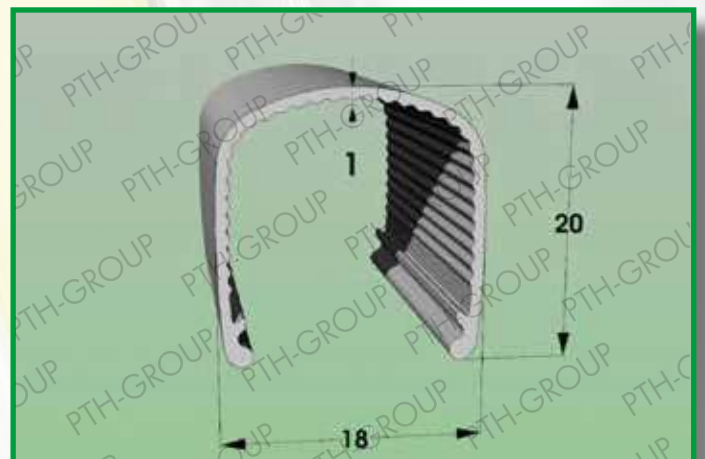
Profile 1010.252

Material: POLYCARBONATE CLEAR / OPAL



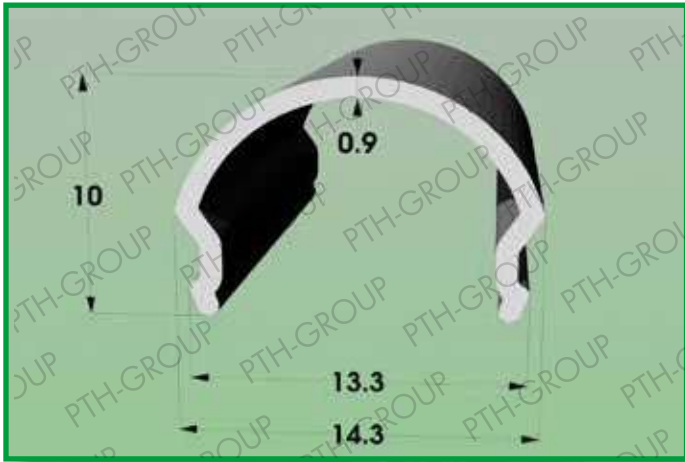
Profile 1010.05

Material: POLYCARBONATE CLEAR / OPAL



Profile 1010.447

Material: POLYCARBONATE CLEAR / OPAL / SATIN SBB



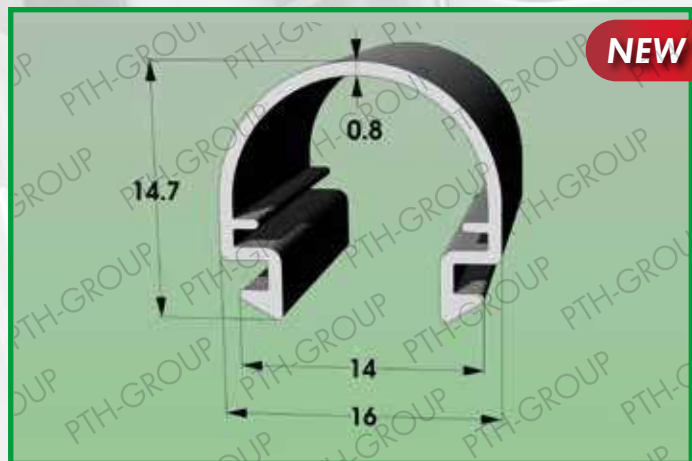
Profile 1010.239

Material: POLYCARBONATE CLEAR / OPAL



Profile 1010.505

Material: POLYCARBONATE CLEAR / OPAL / SATIN



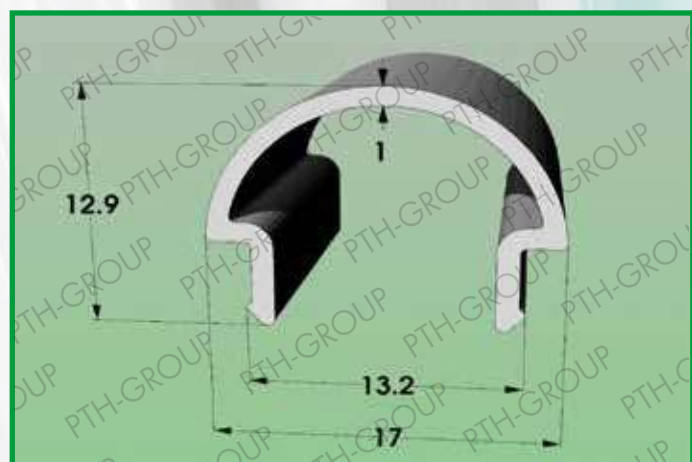
Profile 1010.233

**Material: POLYCARBONATE CLEAR / OPAL
PMMA CLEAR / SATIN**



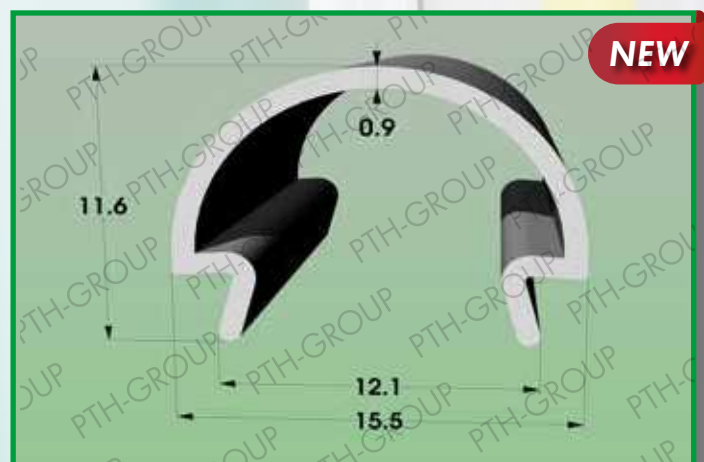
Profile 1010.437

Material: POLYCARBONATE CLEAR / OPAL



Profile 1010.478

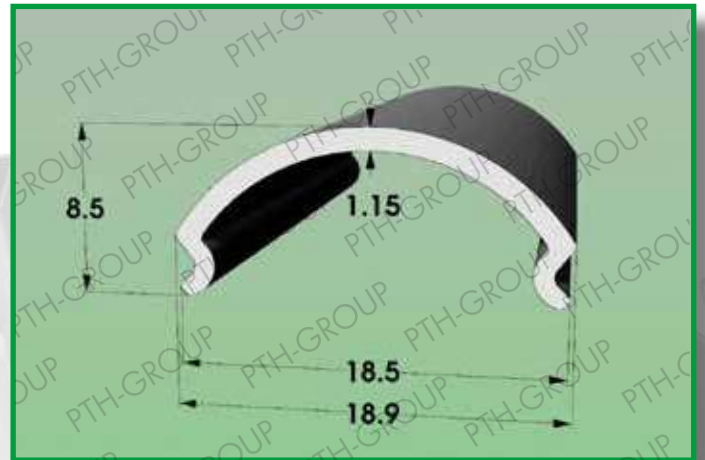
Material: POLYCARBONATE CLEAR / OPAL



Profile 1010.246
Material: POLYCARBONATE CLEAR / OPAL
PMMA CLEAR / SATIN



Profile 1010.397
Material: POLYCARBONATE CLEAR / OPAL
PMMA CLEAR / SATIN



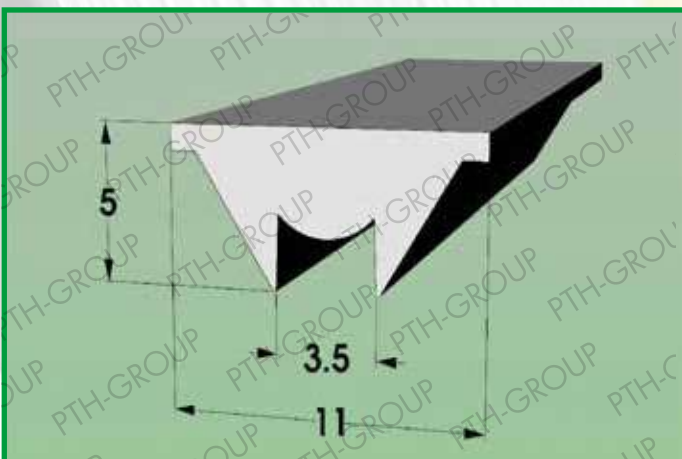
Profile 1010.282
Material: POLYCARBONATE CLEAR / OPAL



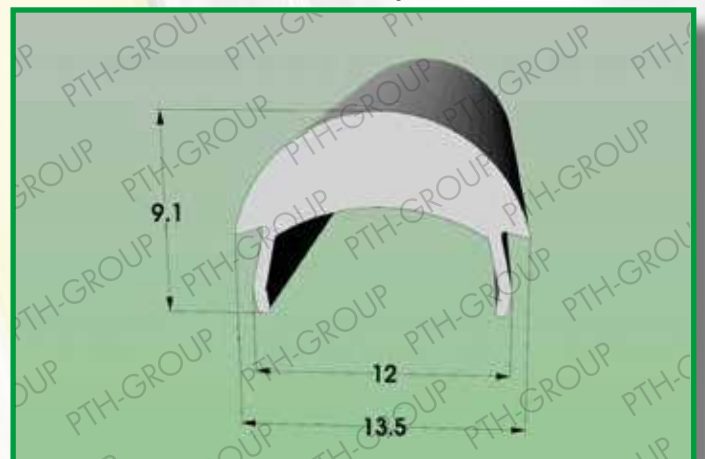
Profile 1010.280
Material: POLYCARBONATE CLEAR / OPAL



Profile 1010.369
Material: PMMA CLEAR / SATIN



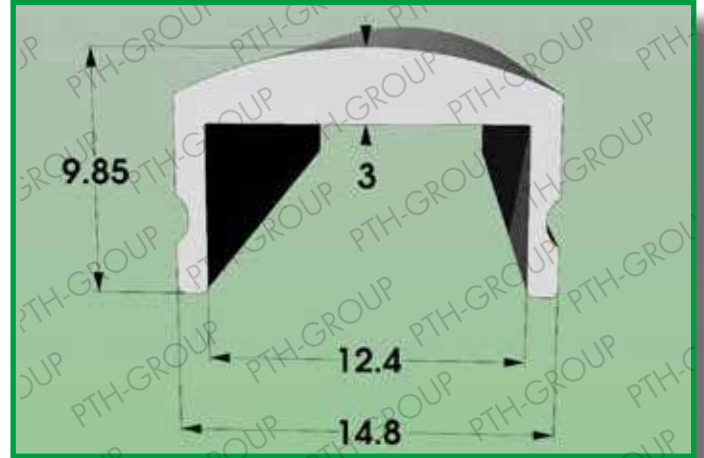
Profile 1010.178
Material: POLYCARBONATE CLEAR
PMMA CLEAR / SATIN



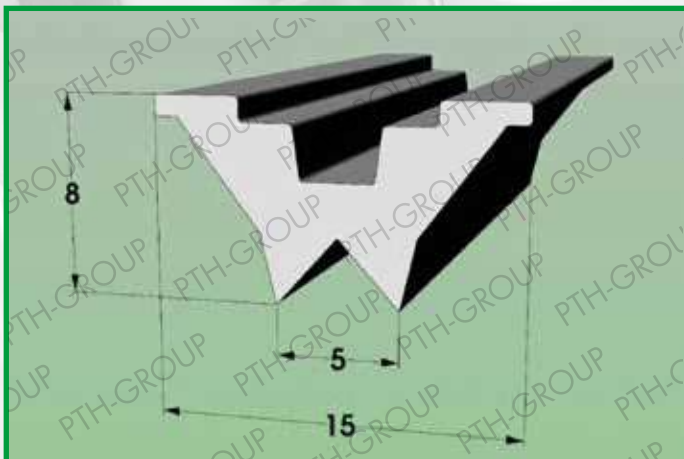
Profile 1010.184
Material: POLYCARBONATE CLEAR
PMMA CLEAR / SATIN



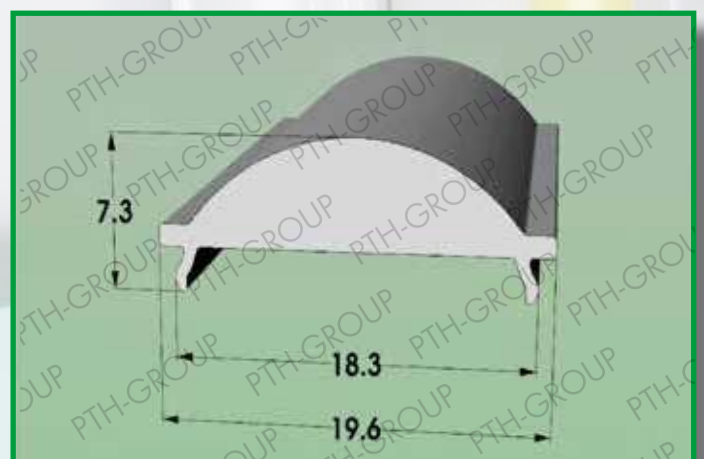
Profile 1010.410
Material: POLYCARBONATE CLEAR / OPAL
PMMA CLEAR / SATIN



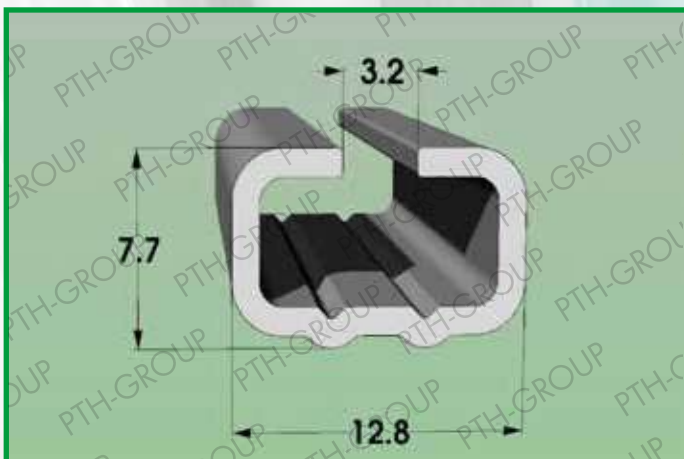
Profile 1010.370
Material: PMMA CLEAR / SATIN



Profile 1010.215
Material: PMMA CLEAR / SATIN



Profile 1010.91
Material: POLYCARBONATE CLEAR / OPAL

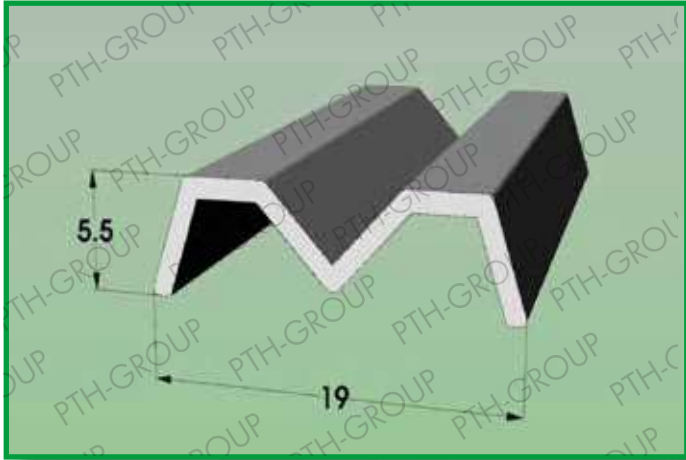


Profile 1010.90
Material: POLYCARBONATE CLEAR / OPAL



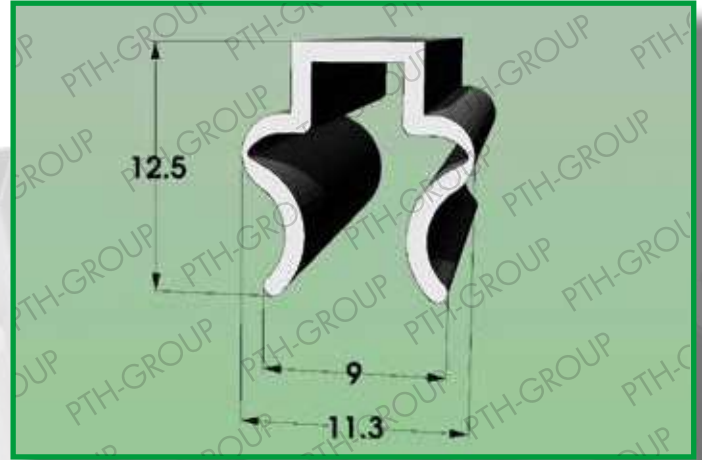
Profile 1010.89

Material: POLYCARBONATE CLEAR / OPAL



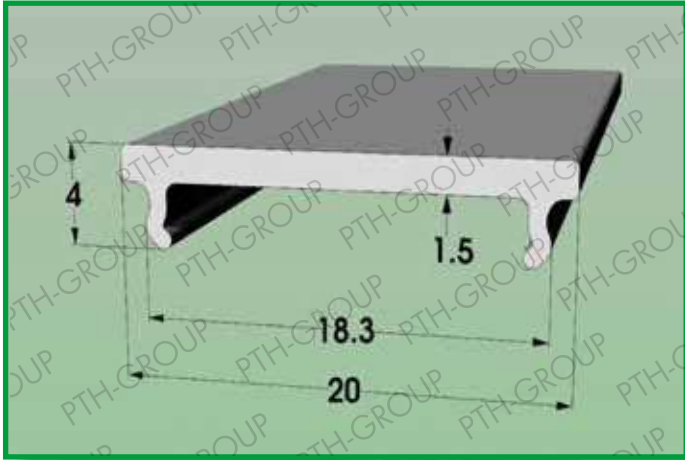
Profile 1010.43

Material: POLYCARBONATE CLEAR / OPAL



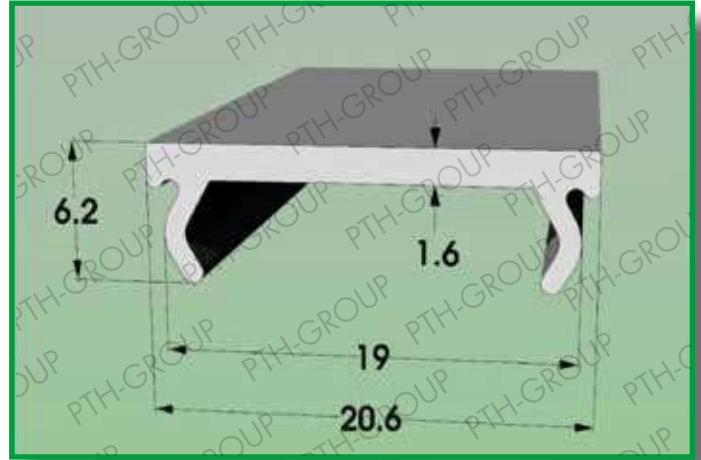
Profile 1010.226

**Material: POLYCARBONATE CLEAR / OPAL
PMMA CLEAR / SATIN**



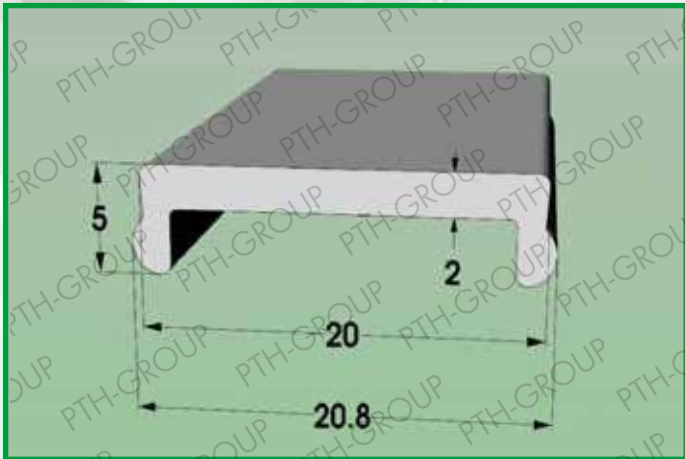
Profile 1010.348

**Material: POLYCARBONATE CLEAR / OPAL
PMMA CLEAR / SATIN**



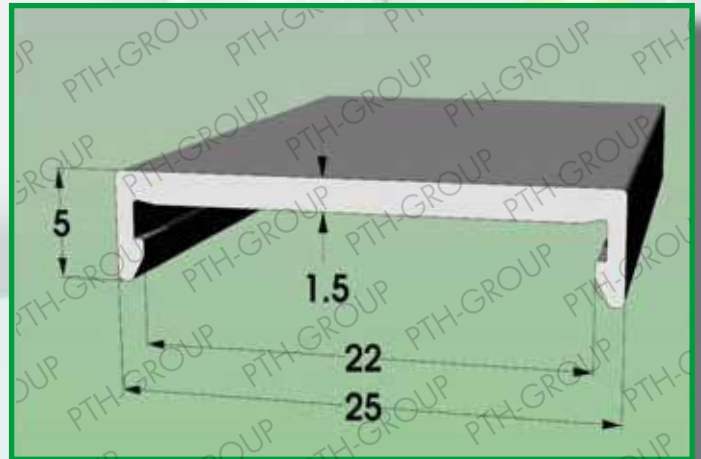
Profile 1010.293

**Material: POLYCARBONATE CLEAR / OPAL / SATIN SBB
PMMA CLEAR / SATIN**



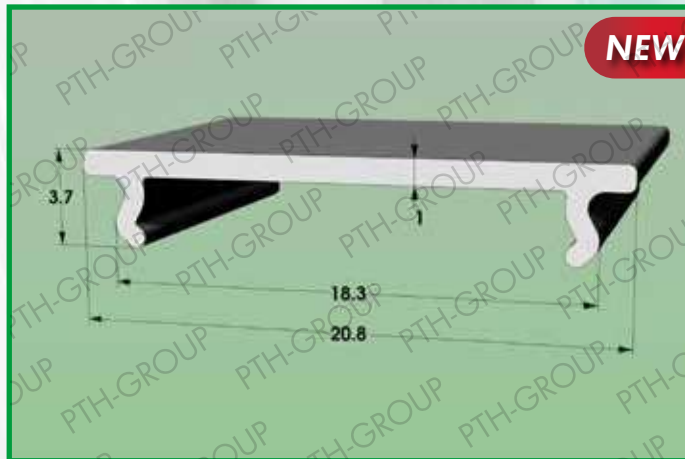
Profile 1010.377

Material: POLYCARBONATE CLEAR / OPAL / SATIN SBB



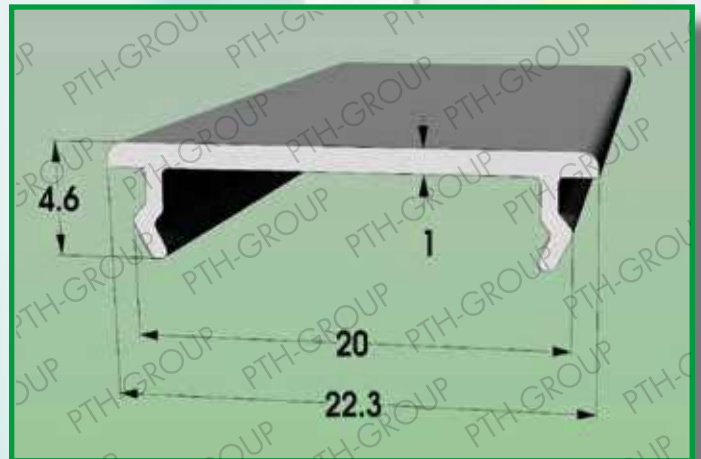
Profile 1010.507

**Material: POLYCARBONATE CLEAR / OPAL / SATIN SBB
PMMA SATIN**



Profile 1010.394

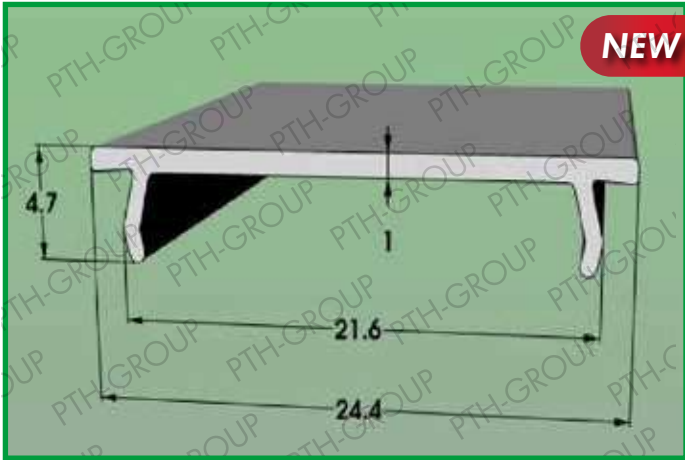
**Material: POLYCARBONATE CLEAR / OPAL
PMMA CLEAR / SATIN**



Profile 1010.492

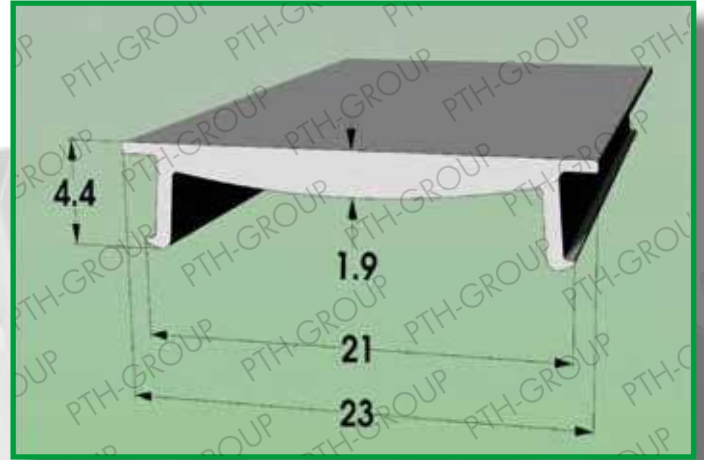
Material: POLYCARBONATE CLEAR / OPAL / SATIN SBB

NEW



Profile 1010.354

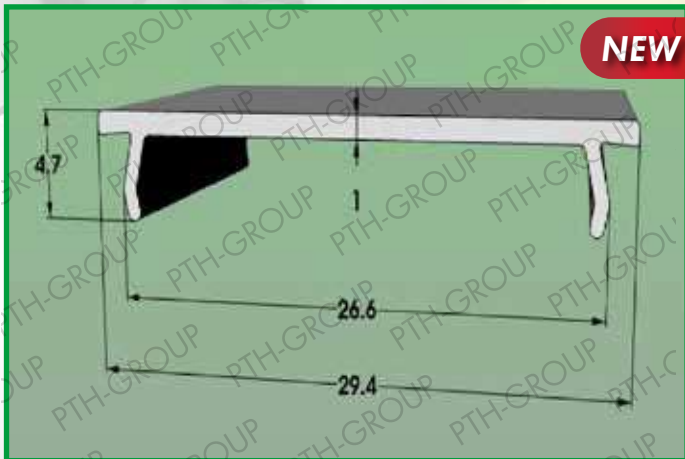
**Material: PMMA CLEAR / SATIN
PMMA CLEAR / SATIN**



Profile 1010.495

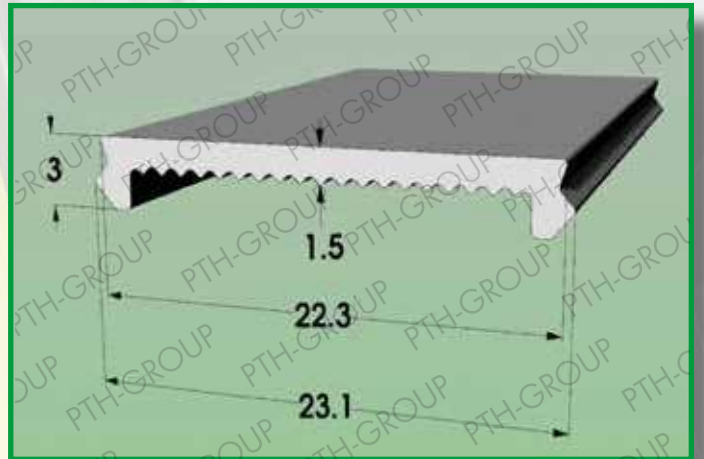
**Material: POLYCARBONATE CLEAR / OPAL / SATIN SBB
PMMA SATIN**

NEW



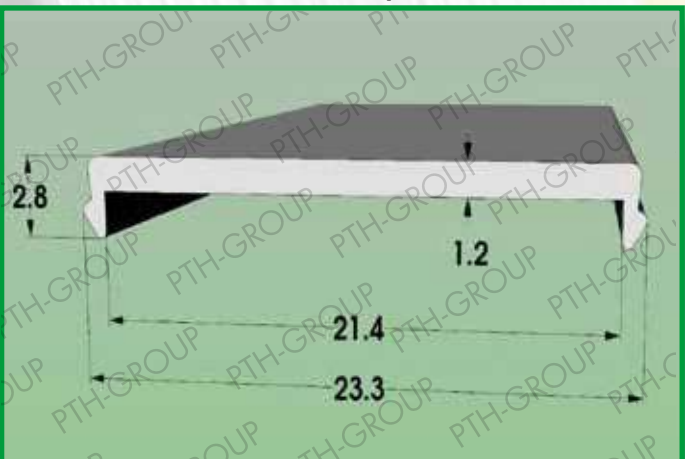
Profile 1010.343

**Material: POLYCARBONATE CLEAR / OPAL / SATIN SBB
PMMA CLEAR / SATIN**



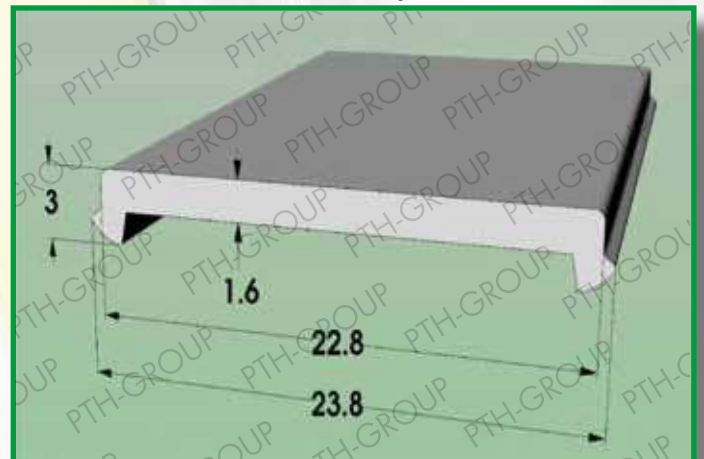
Profile 1010.414

**Material: POLYCARBONATE CLEAR / OPAL
PMMA CLEAR / SATIN**



Profile 1010.358

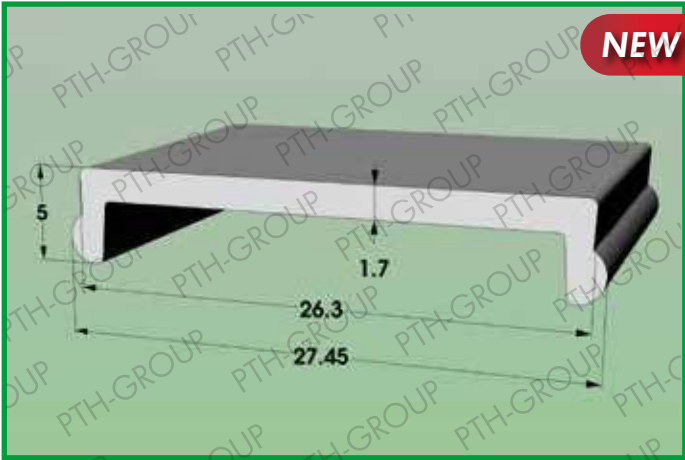
**Material: POLYCARBONATE CLEAR / OPAL / SATIN SBB
PMMA CLEAR / SATIN**



Profile 1010.512

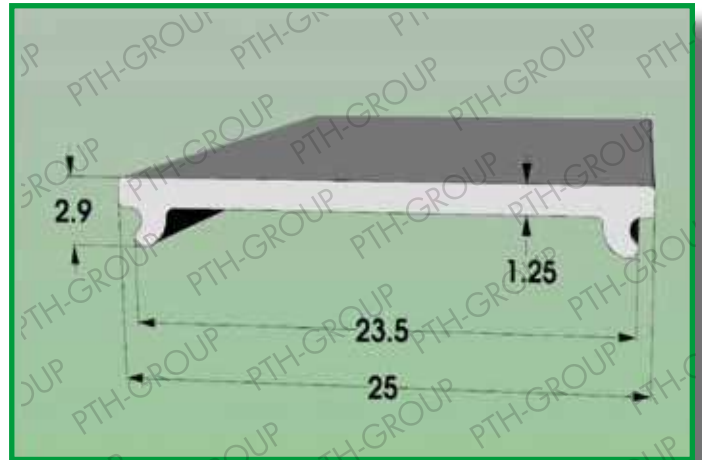
**Material: POLYCARBONATE CLEAR / OPAL
PMMA CLEAR / SATIN**

NEW



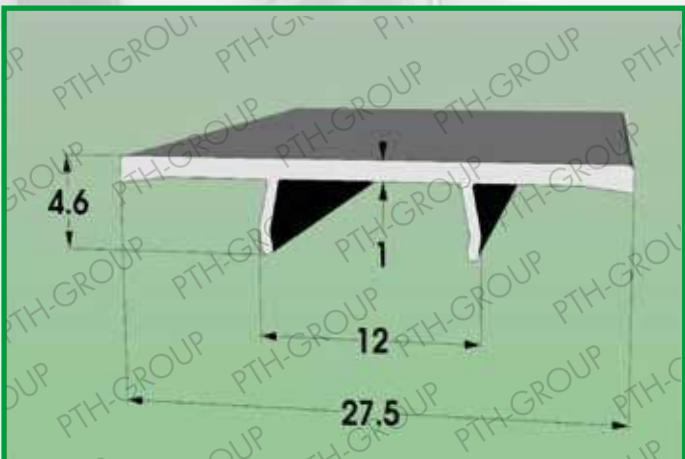
Profile 1010.264

**Material: POLYCARBONATE CLEAR / OPAL
PMMA CLEAR / SATIN**



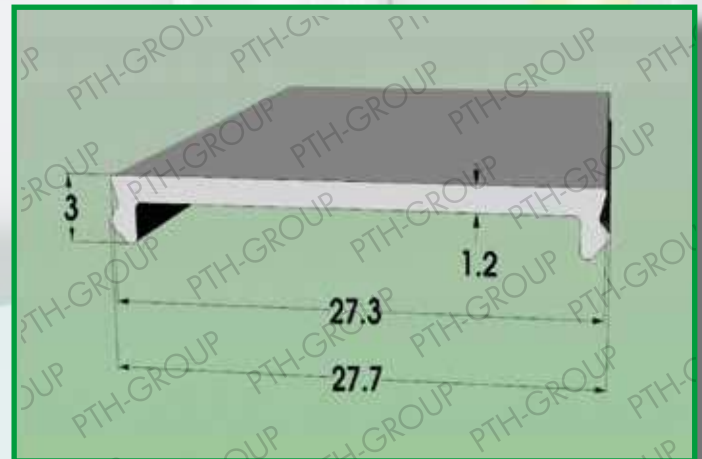
Profile 1010.356

Material: POLYCARBONATE CLEAR / OPAL / SATIN SBB



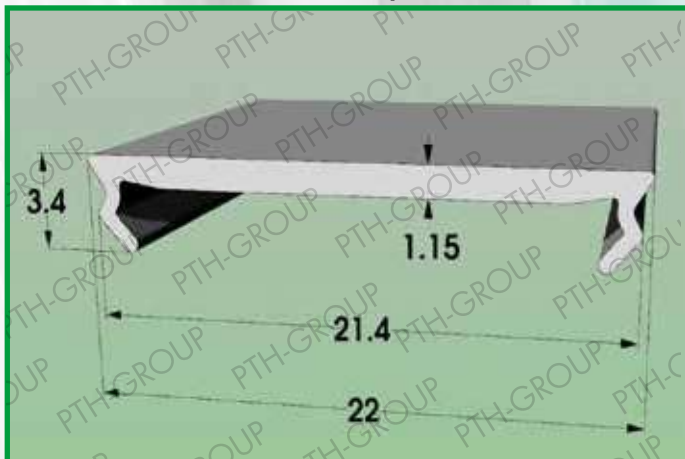
Profile 1010.310

**Material: POLYCARBONATE CLEAR / OPAL
PMMA CLEAR / SATIN**



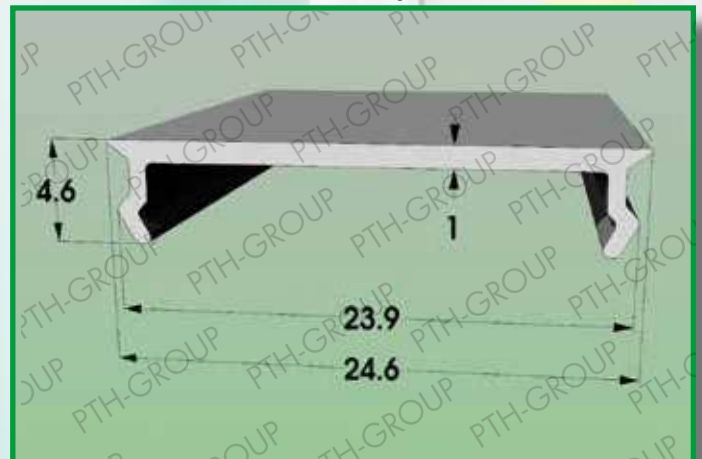
Profile 1010.434

**Material: POLYCARBONATE CLEAR / OPAL
PMMA CLEAR / SATIN**



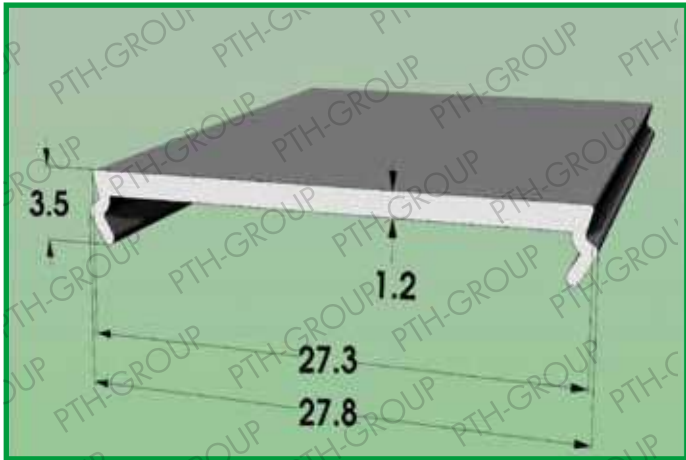
Profile 1010.436

**Material: POLYCARBONATE CLEAR / OPAL
PMMA CLEAR / SATIN**



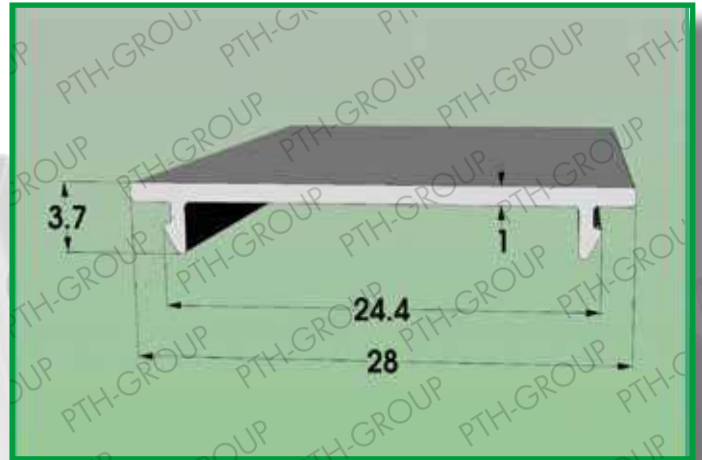
Profile 1010.355

**Material: POLYCARBONATE CLEAR / OPAL / SATIN SBB
PMMA CLEAR / SATIN**



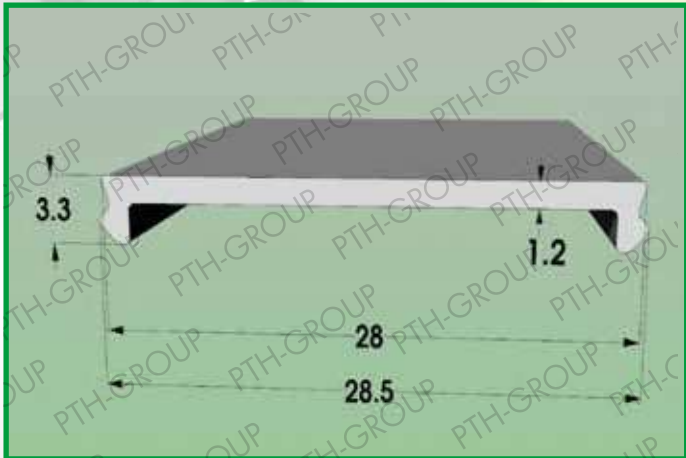
Profile 1010.162

**Material: POLYCARBONATE CLEAR / OPAL
PMMA CLEAR / SATIN**



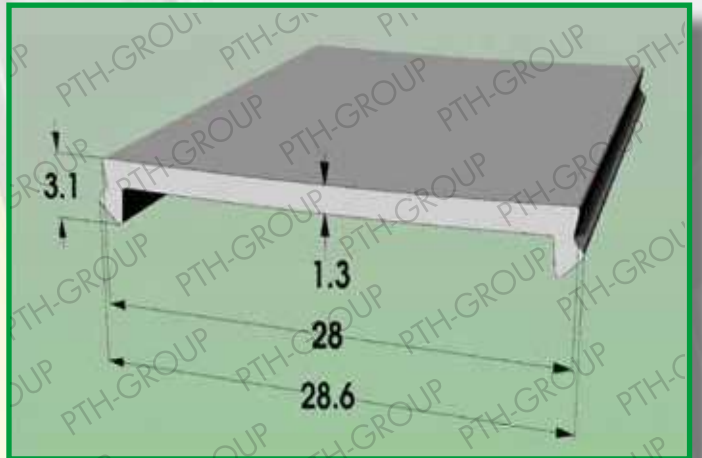
Profile 1010.197

**Material: POLYCARBONATE CLEAR / OPAL / SATIN SBB
PMMA CLEAR / SATIN**



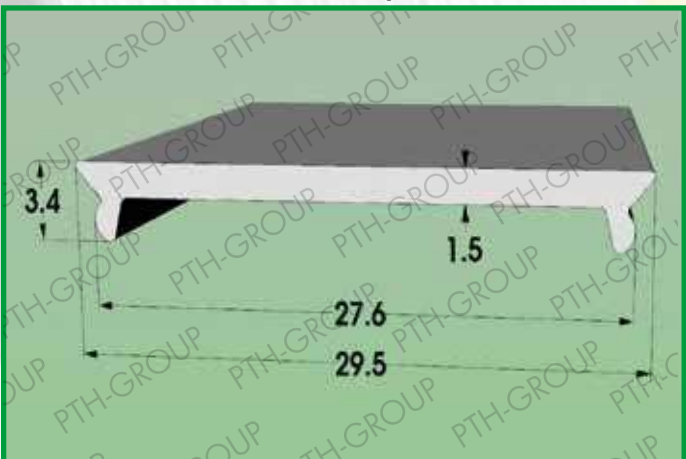
Profile 1010.342

Material: PMMA CLEAR / SATIN



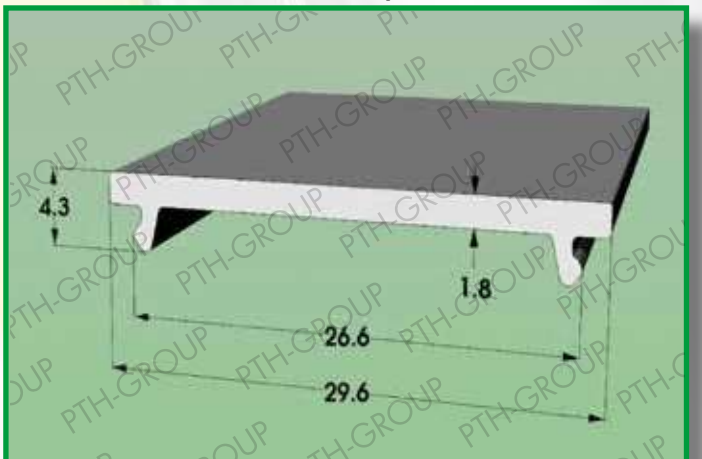
Profile 1010.423

**Material: POLYCARBONATE CLEAR / OPAL
PMMA CLEAR / SATIN**



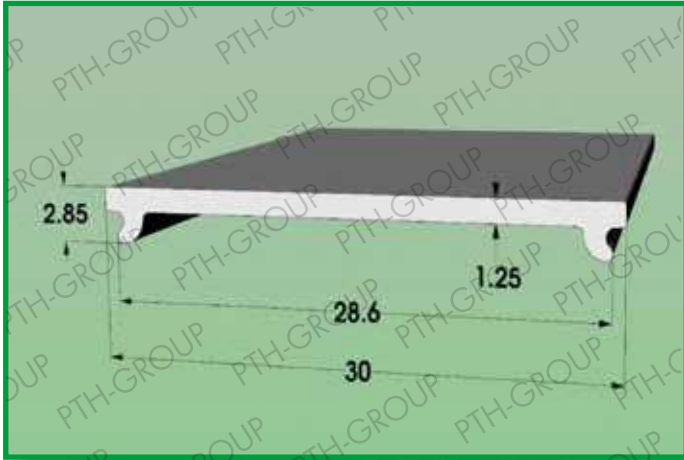
Profile 1010.260

**Material: POLYCARBONATE CLEAR / OPAL / SATIN SBB
PMMA CLEAR / SATIN**



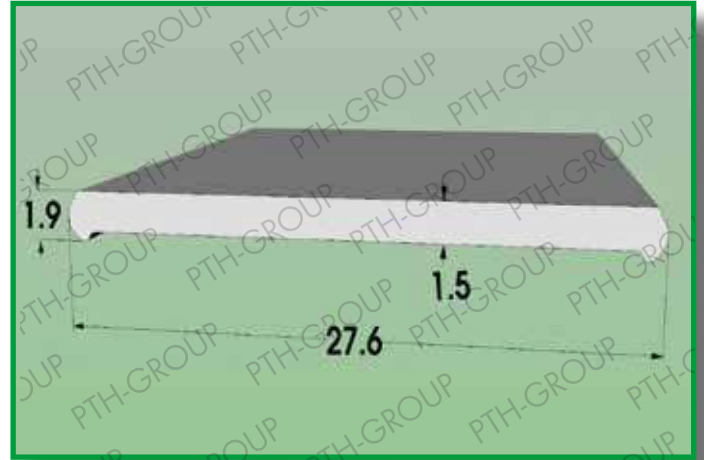
Profile 1010.286

**Material: POLYCARBONATE CLEAR / OPAL / SATIN SBB
PMMA CLEAR / SATIN**



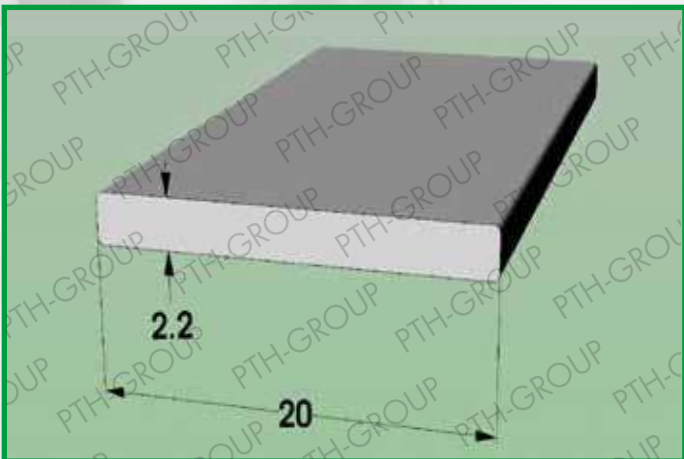
Profile 1010.424

**Material: POLYCARBONATE CLEAR / OPAL
PMMA CLEAR / SATIN**



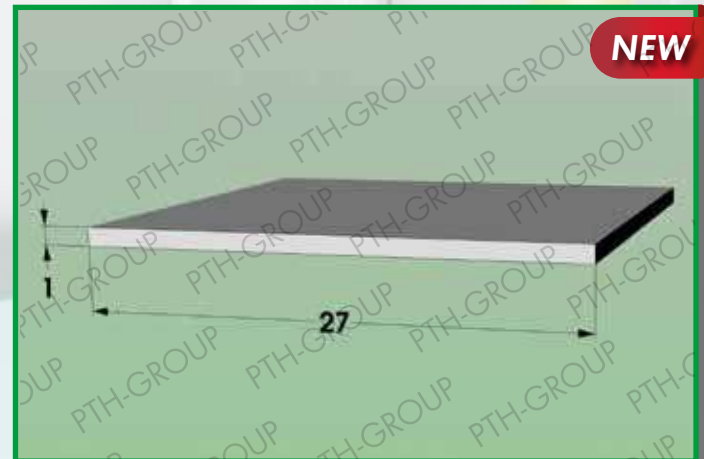
Profile 1010.333

Material: POLYCARBONATE CLEAR / OPAL



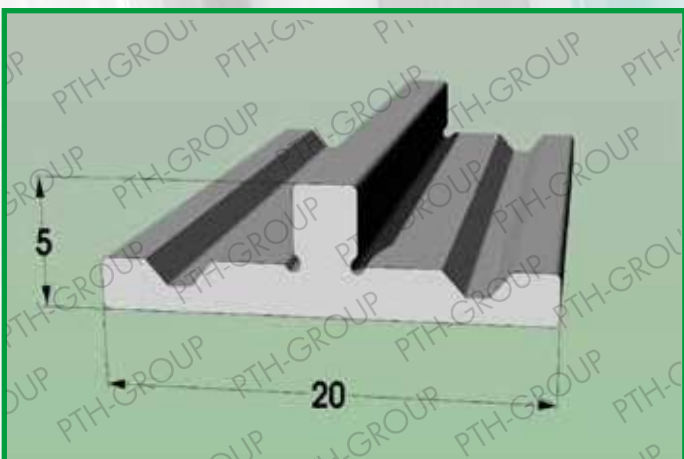
Profile 1010.506

Material: POLYCARBONATE CLEAR / OPAL



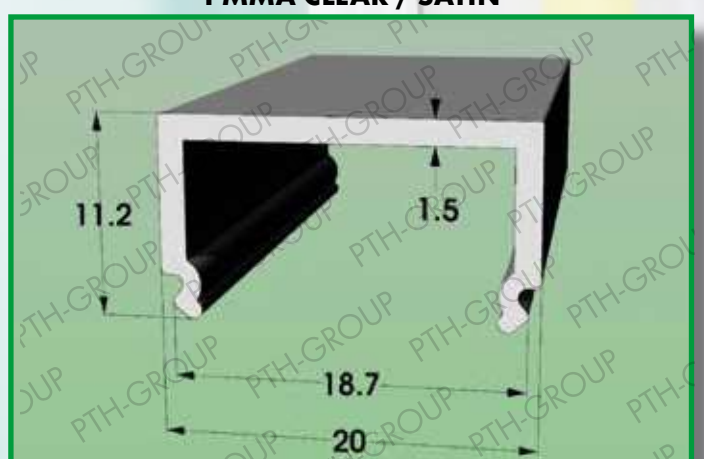
Profile 1010.82

Material: POLYCARBONATE CLEAR / OPAL



Profile 1010.218

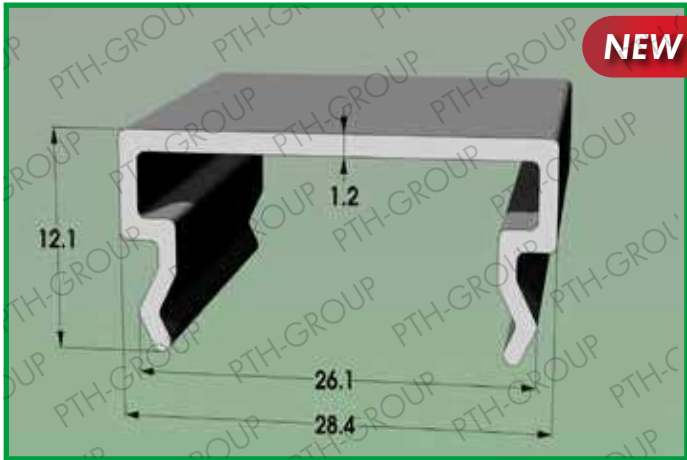
**Material: POLYCARBONATE CLEAR / OPAL / SATIN SBB
PMMA CLEAR / SATIN**



Profile 1010.500

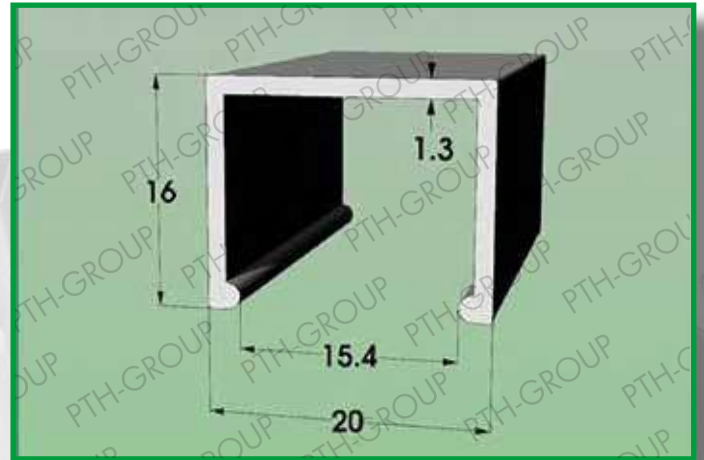
**Material: POLYCARBONATE CLEAR / OPAL / SATIN SBB
PMMA CLEAR / SATIN**

NEW



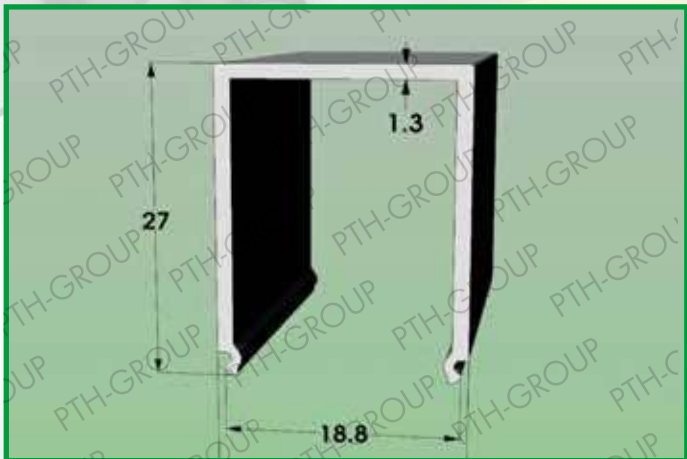
Profile 1010.285

Material: POLYCARBONATE CLEAR / OPAL / SATIN SBB



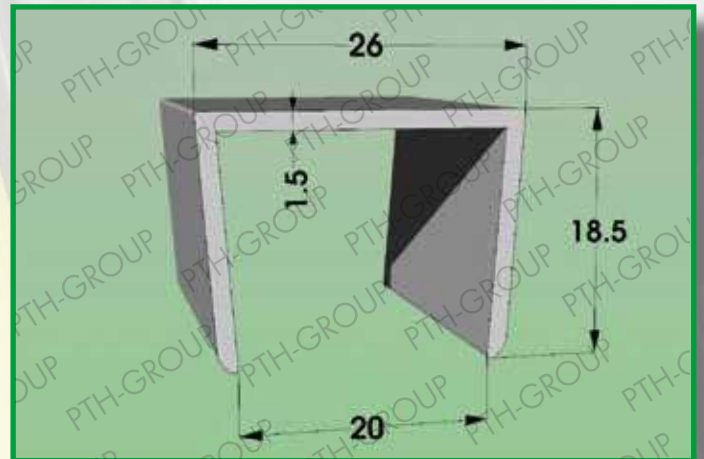
Profile 1010.259

**Material: POLYCARBONATE CLEAR / OPAL
PMMA CLEAR / SATIN**



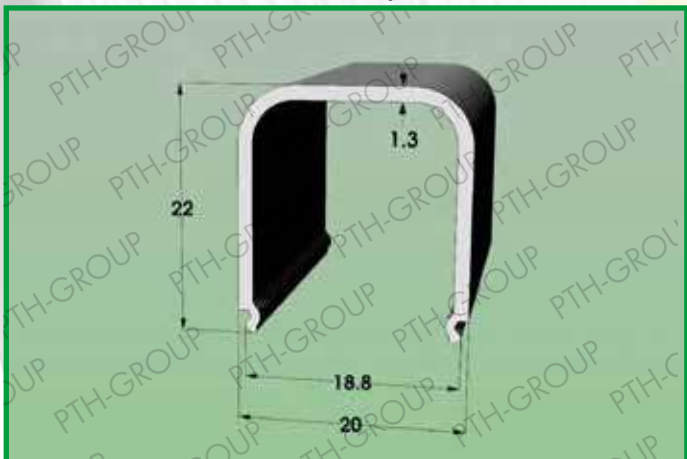
Profile 1010.06

Material: POLYCARBONATE CLEAR / OPAL



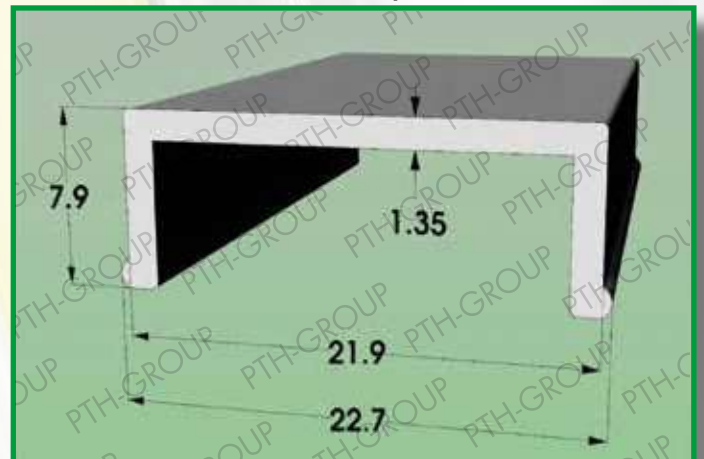
Profile 1010.258

**Material: POLYCARBONATE CLEAR / OPAL
PMMA CLEAR / SATIN**



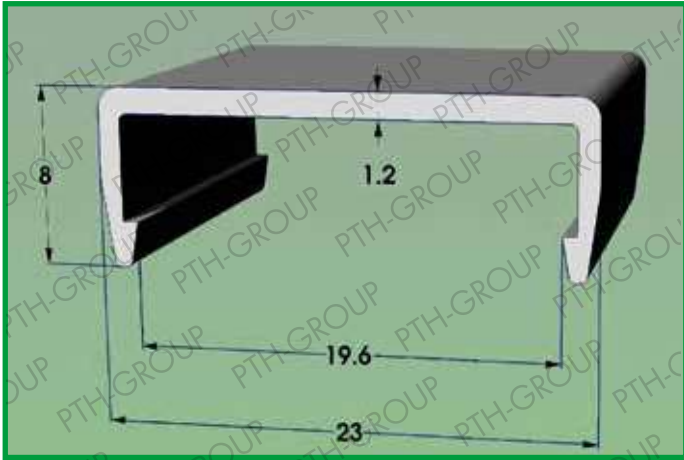
Profile 1010.345

**Material: POLYCARBONATE CLEAR / OPAL / SATIN SBB
PMMA CLEAR / SATIN**



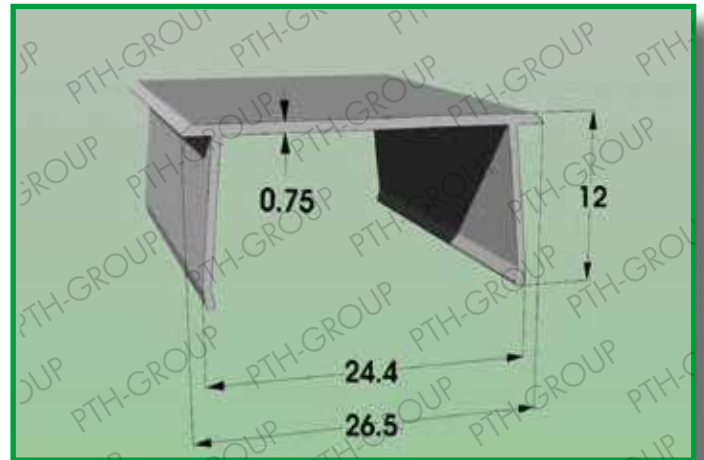
Profile 1010.513

**Material: POLYCARBONATE CLEAR / OPAL / SATIN SBB
PMMA CLEAR / SATIN**



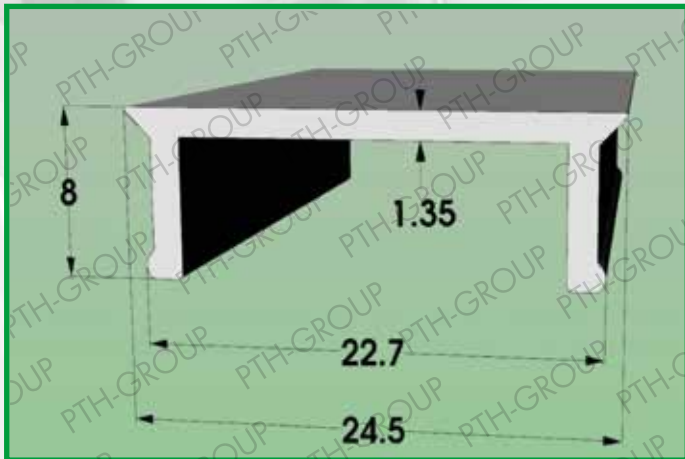
Profile 1010.368

Material: POLYCARBONATE CLEAR / OPAL



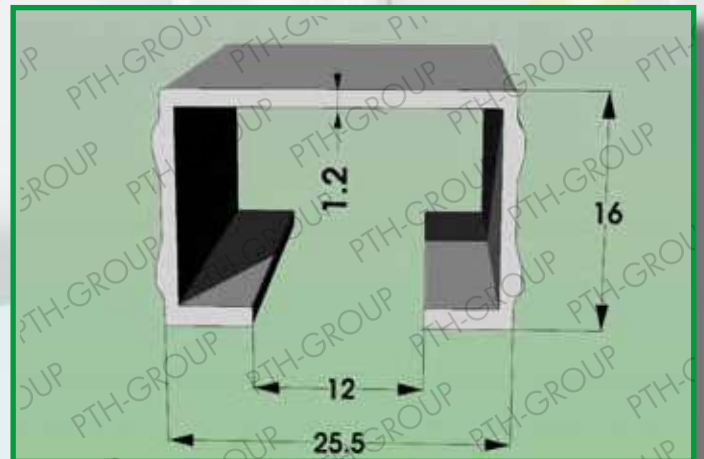
Profile 1010.346

**Material: POLYCARBONATE CLEAR / OPAL / SATIN SB
PMMA CLEAR / SATIN**

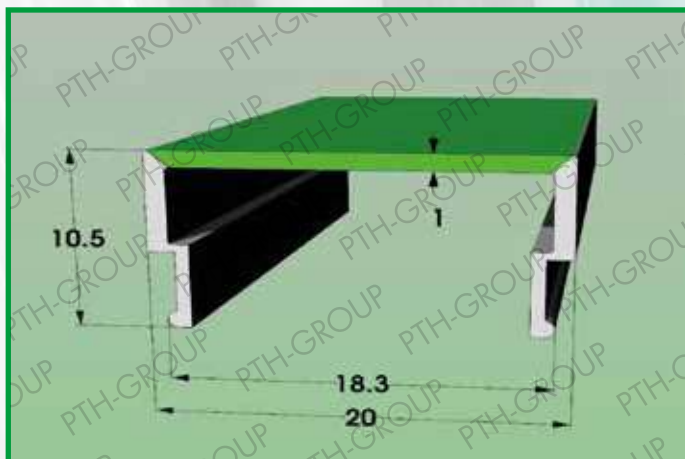


Profile 1010.02

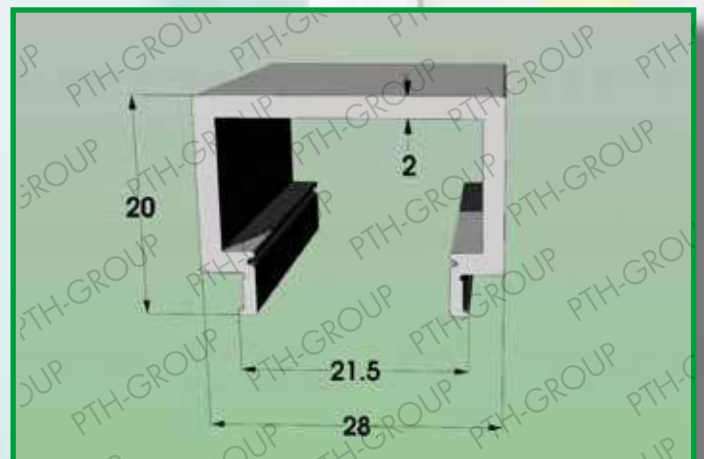
Material: POLYCARBONATE CLEAR / OPAL



Profile 1010.393
Material: PMMA CLEAR / SATIN

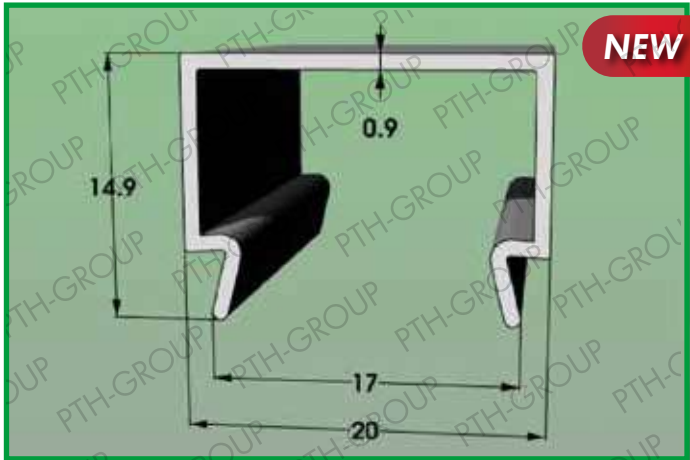


Profile 1010.232
Material: PMMA CLEAR / SATIN



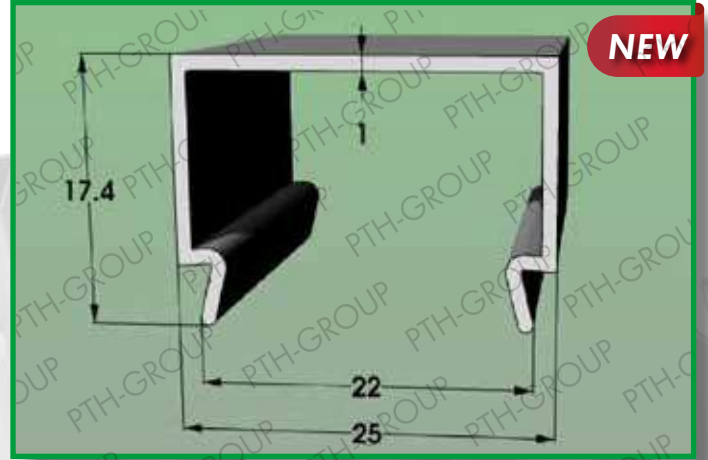
Profile 1010.488

**Material: POLYCARBONATE CLEAR / OPAL / SATIN SBB
PMMA SATIN**



Profile 1010.491

**Material: POLYCARBONATE CLEAR / OPAL / SATIN SBB
PMMA SATIN**



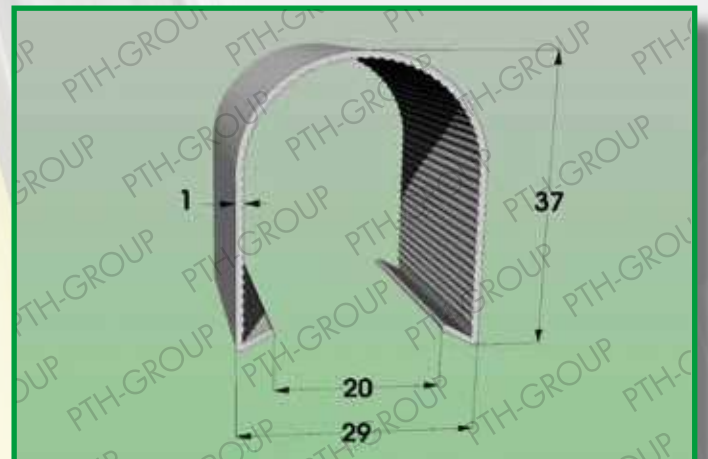
Profile 1010.63

Material: POLYCARBONATE CLEAR / OPAL

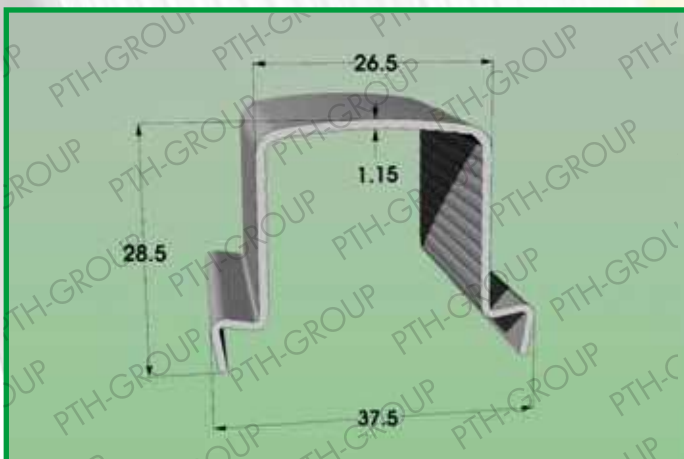


Profile 1010.131

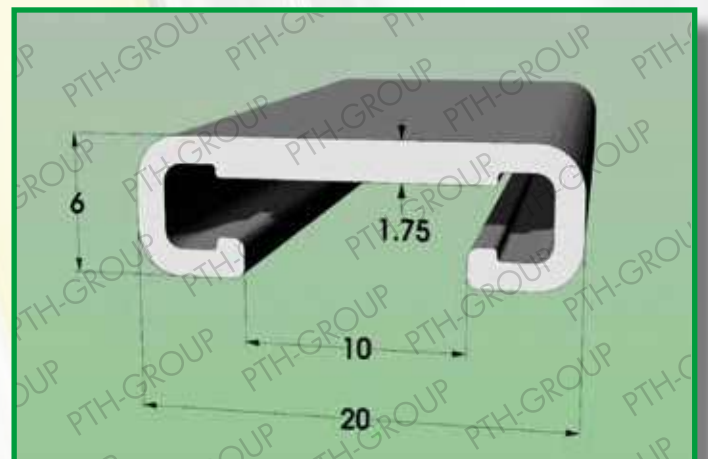
Material: POLYCARBONATE CLEAR / OPAL



Profile 1010.62
Material: PMMA SATIN

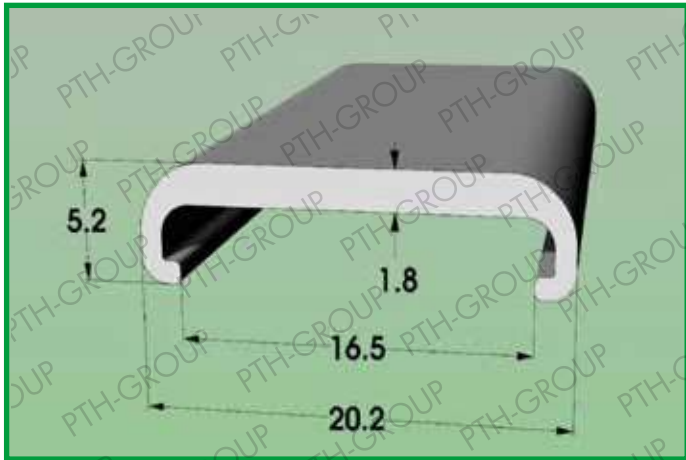


Profile 1010.170
Material: POLYCARBONATE CLEAR / OPAL



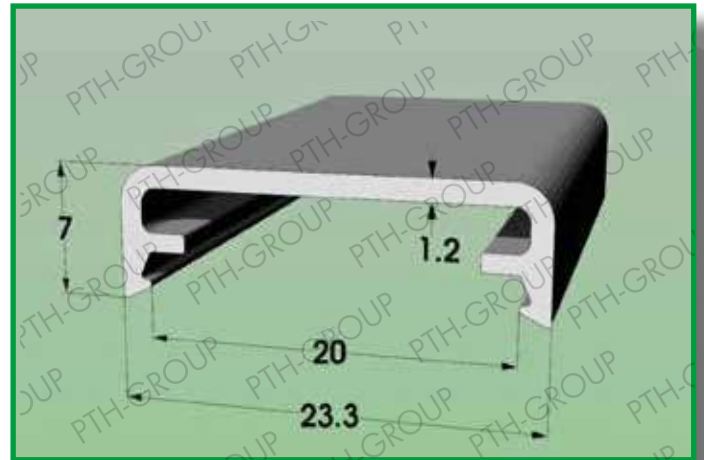
Profile 1010.364

Material: POLYCARBONATE CLEAR / OPAL / SATIN SBB



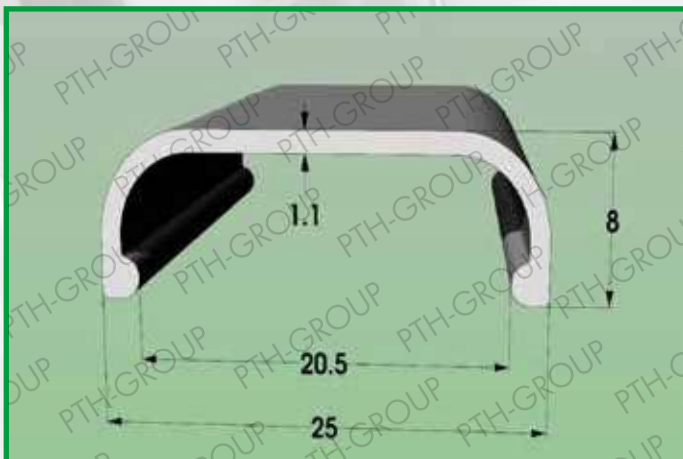
Profile 1010.159

**Material: POLYCARBONATE CLEAR / OPAL
PMMA CLEAR / SATIN**



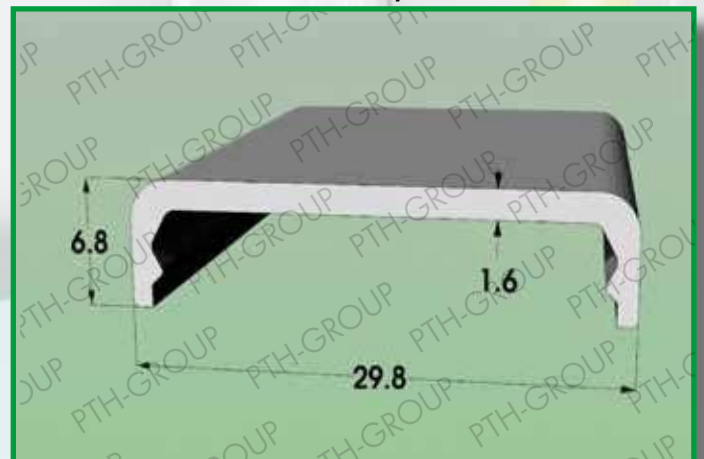
Profile 1010.24

Material: POLYCARBONATE CLEAR / OPAL



Profile 1010.279

**Material: POLYCARBONATE CLEAR / OPAL
PMMA CLEAR / SATIN**



Profile 1010.282

Material: POLYCARBONATE CLEAR / OPAL

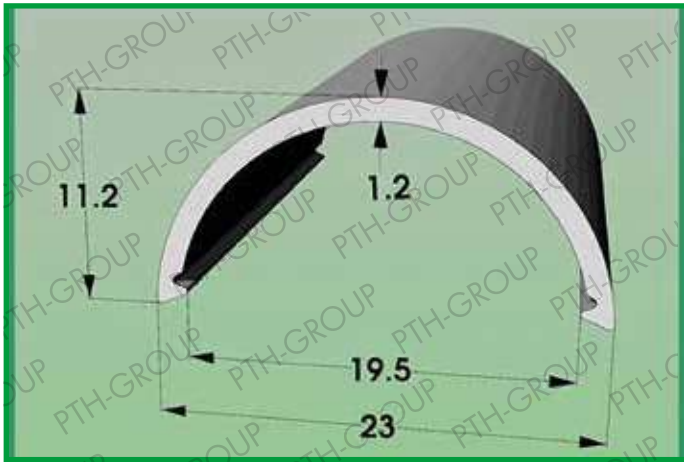


Profile 1010.219

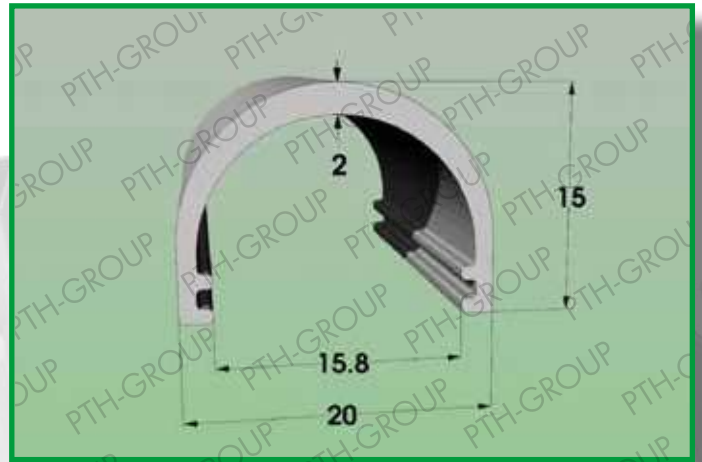
**Material: POLYCARBONATE CLEAR / OPAL / SATIN SBB
PMMA CLEAR / SATIN**



Profile 1010.42
Material : PMMA SATIN



Profile 1010.363
Material: POLYCARBONATE CLEAR / OPAL / SATIN SBB
PMMA CLEAR / SATIN



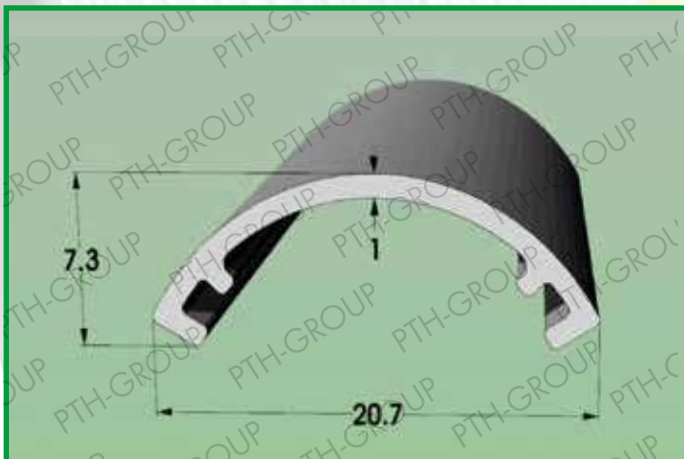
Profile 1010.111
Material: PMMA CLEAR / SATIN



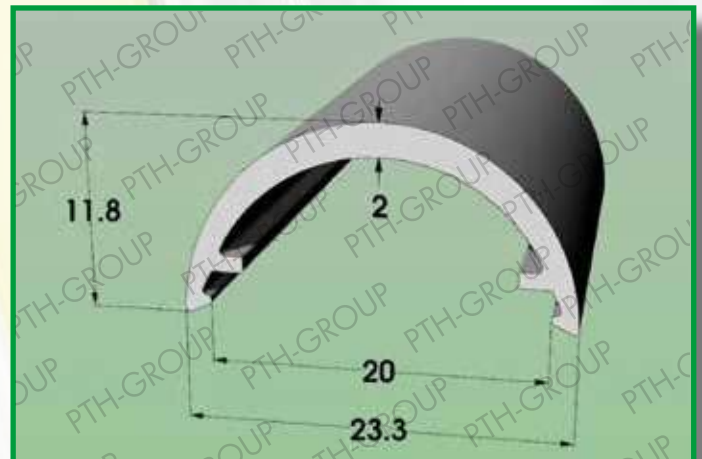
Profile 1010.176
Material: POLYCARBONATE CLEAR / OPAL
PMMA CLEAR / SATIN



Profile 1010.76
Material: POLYCARBONATE CLEAR / OPAL
PMMA SATIN



Profile 1010.113
Material: PMMA CLEAR / SATIN



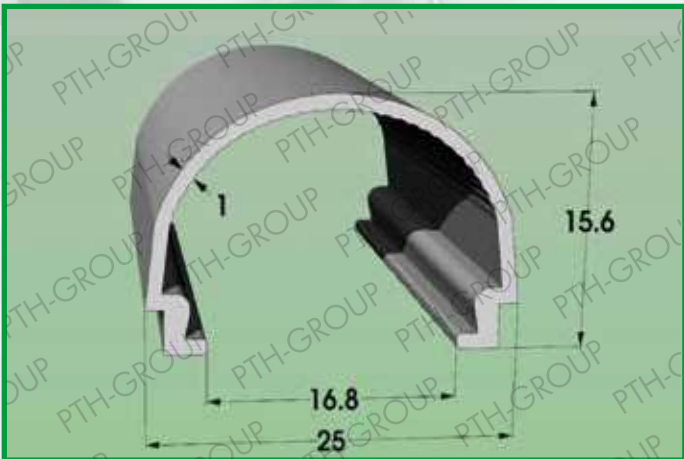
Profile 1010.265
Material: PMMA CLEAR / SATIN



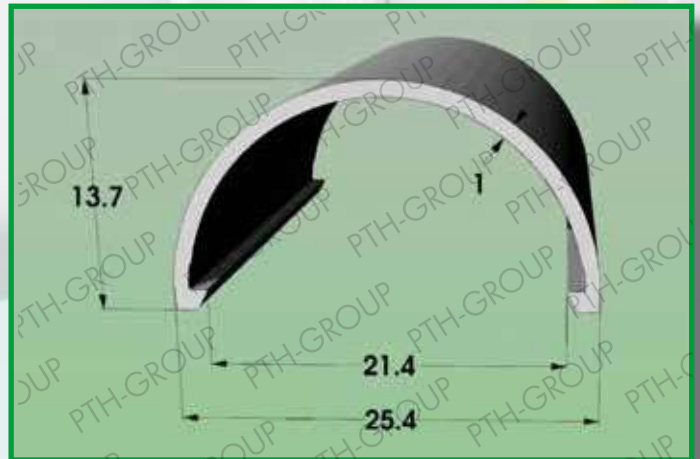
Profile 1010.300
Material: POLYCARBONATE CLEAR / OPAL



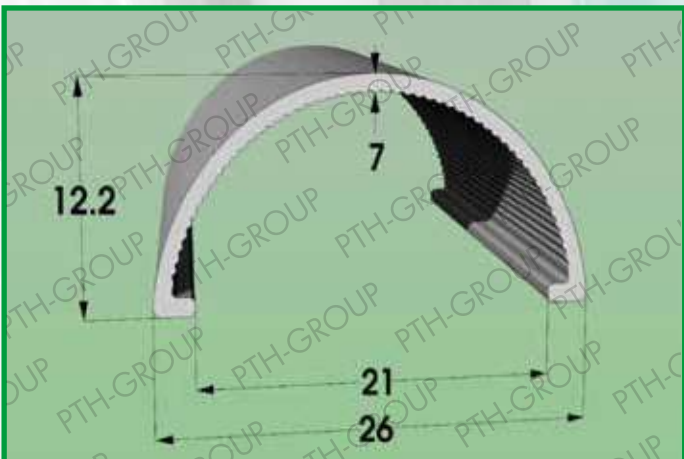
Profile 1010.311
Material: POLYCARBONATE CLEAR / OPAL



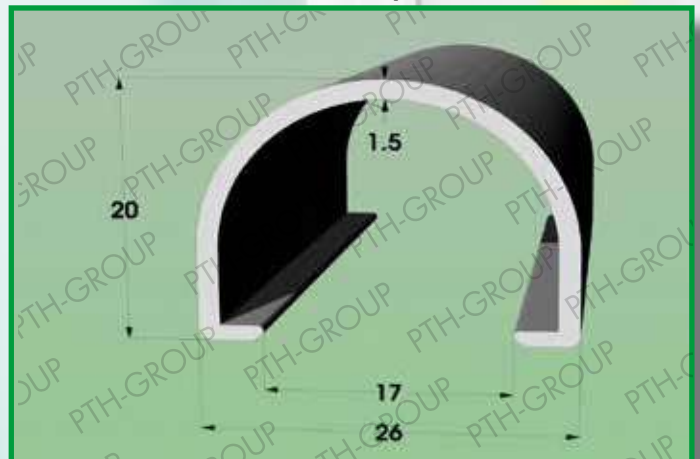
Profile 1010.237
Material: POLYCARBONATE CLEAR / OPAL



Profile 1010.97
Material: POLYCARBONATE CLEAR / OPAL

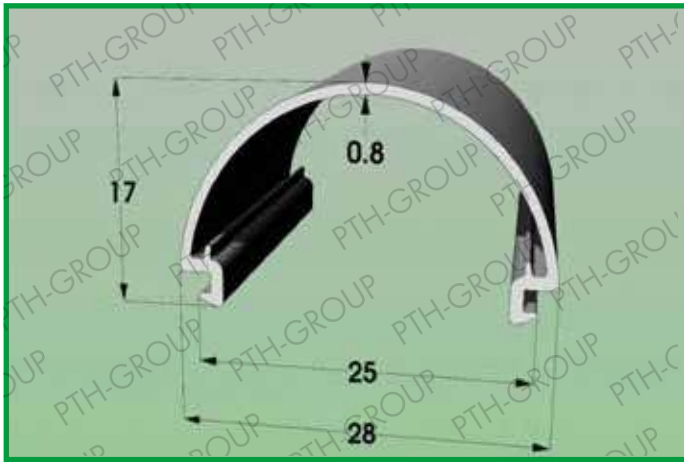


Profile 1010.439
Material: POLYCARBONATE CLEAR / OPAL
PMMA CLEAR / SATIN



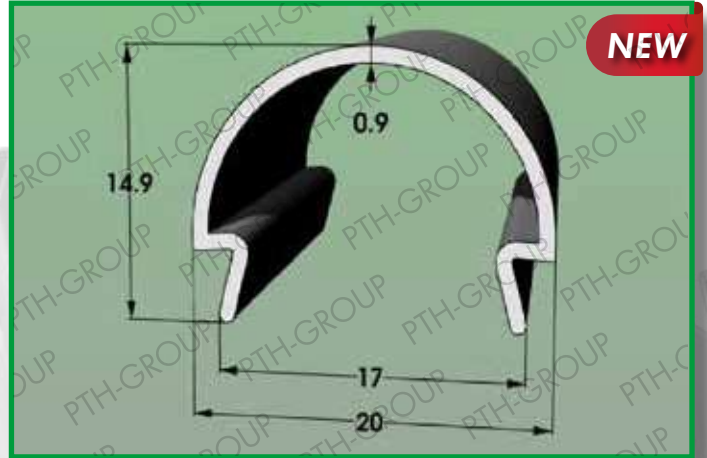
Profile 1010.81

Material: POLYCARBONATE CLEAR / OPAL



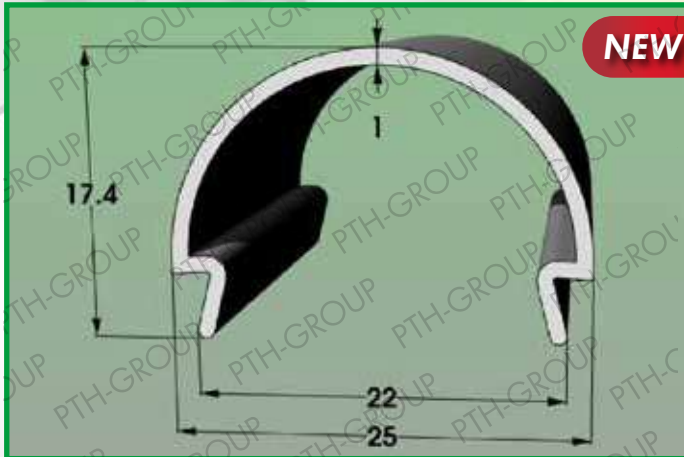
Profile 1010.487

**Material: POLYCARBONATE CLEAR / OPAL / SATIN SBB
PMMA SATIN**



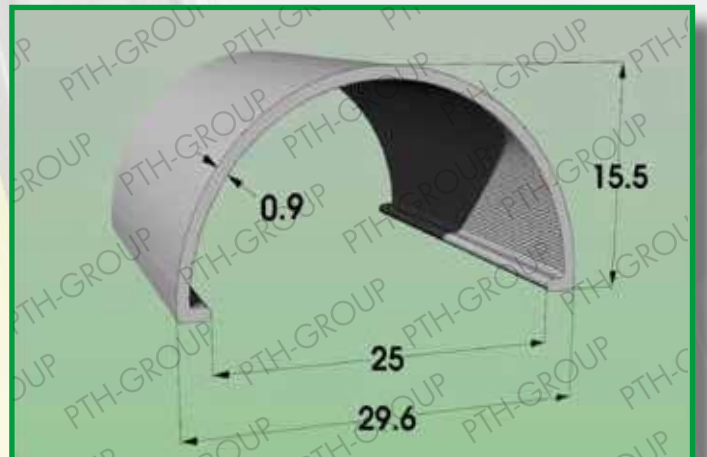
Profile 1010.490

**Material: POLYCARBONATE CLEAR / OPAL / SATIN SBB
PMMA SATIN**



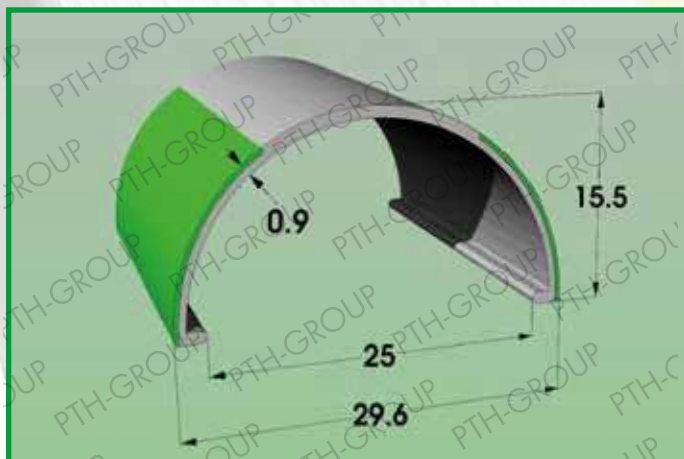
Profile 1010.222

Material: POLYCARBONATE CLEAR / OPAL / SATIN SBB



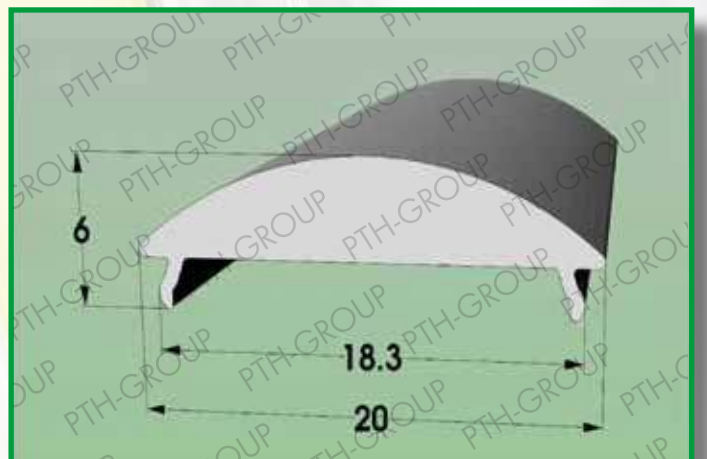
Profile 1010.353

Material: POLYCARBONATE CLEAR / OPAL / SATIN

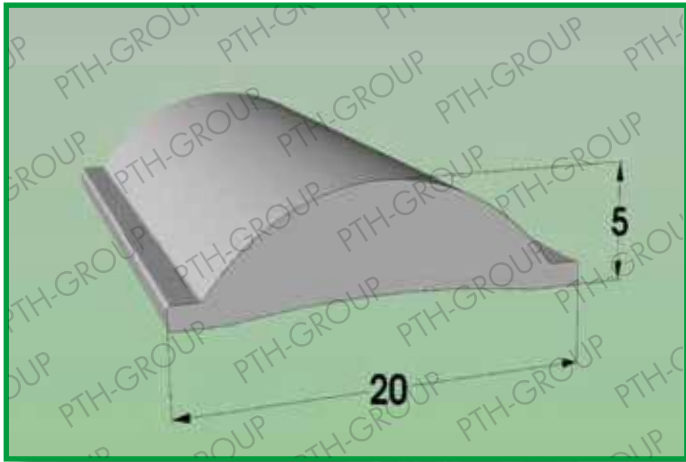


Profile 1010.216

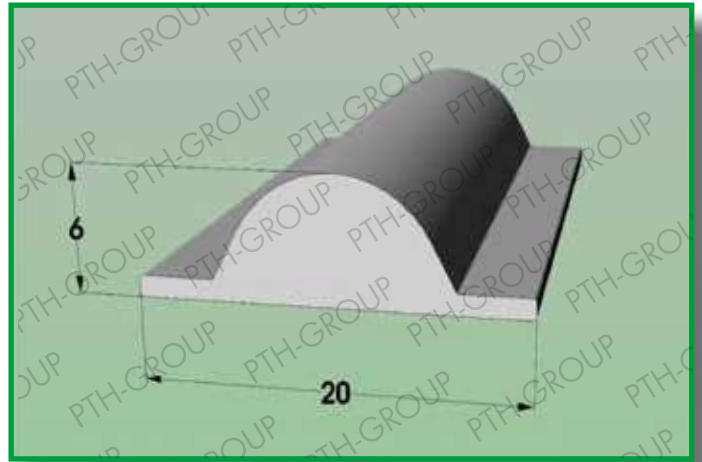
Material: PMMA CLEAR / SATIN



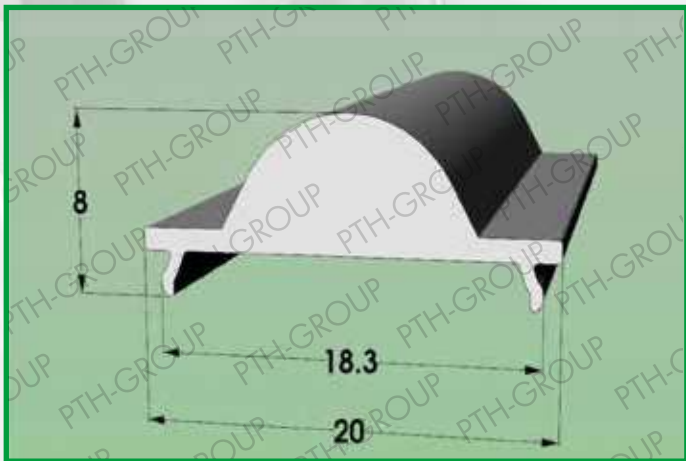
Profile 1010.316
Material: PMMA CLEAR / SATIN



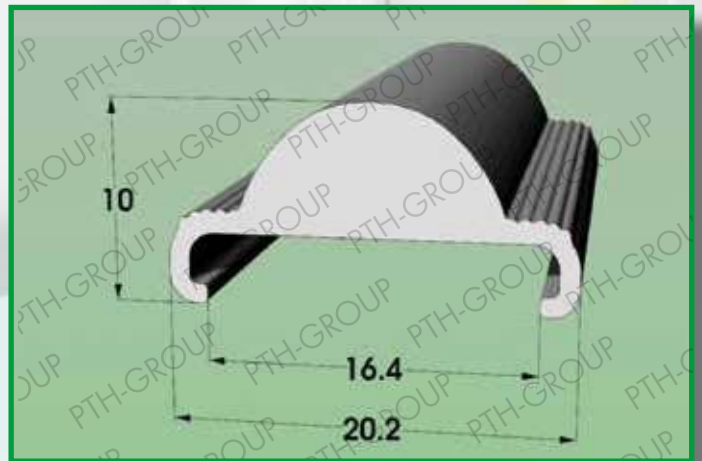
Profile 1010.326
Material: PMMA CLEAR / SATIN



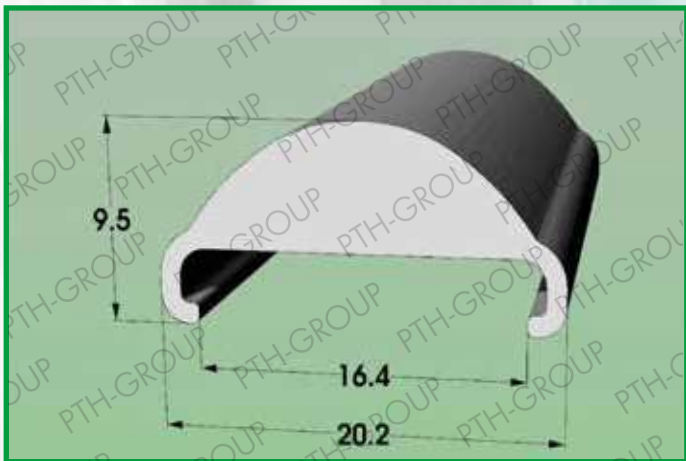
Profile 1010.217
Material: PMMA CLEAR / SATIN



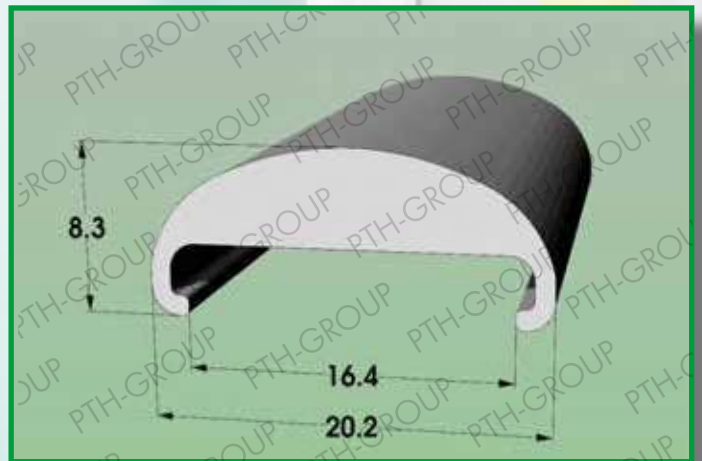
Profile 1010.270
Material: PMMA CLEAR / SATIN



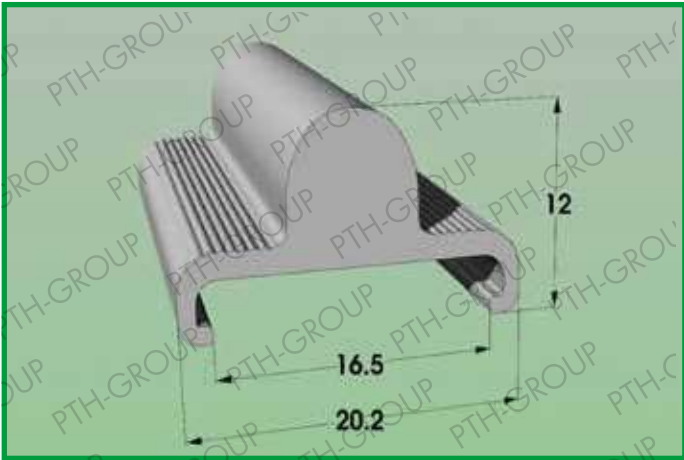
Profile 1010.271
Material: PMMA CLEAR / SATIN



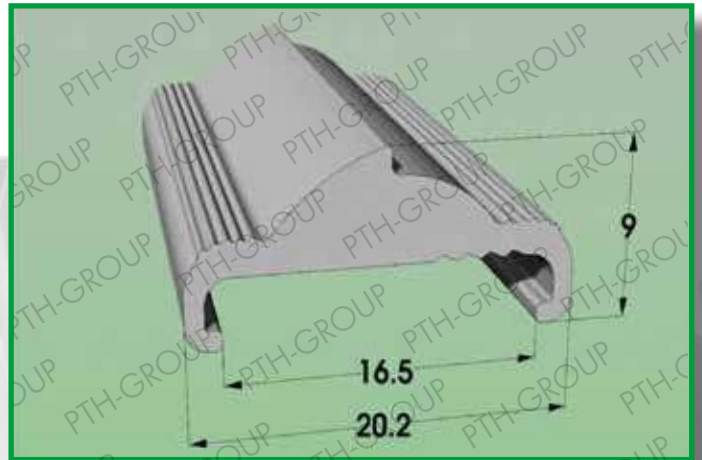
Profile 1010.272
Material: PMMA CLEAR / SATIN



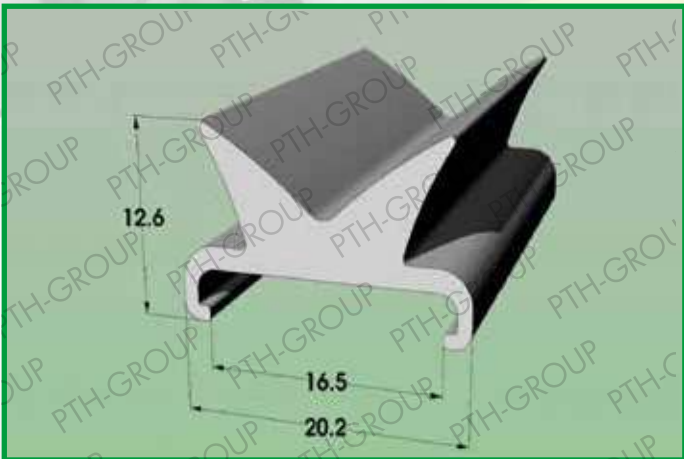
Profile 1010.312
Material: PMMA CLEAR / SATIN



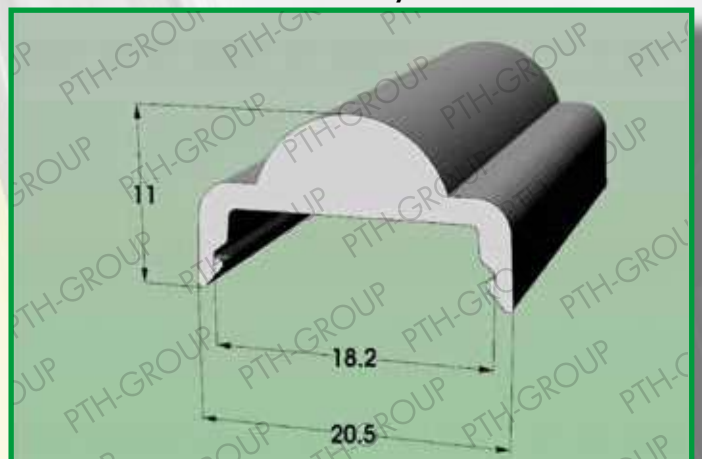
Profile 1010.313
Material: PMMA CLEAR / SATIN



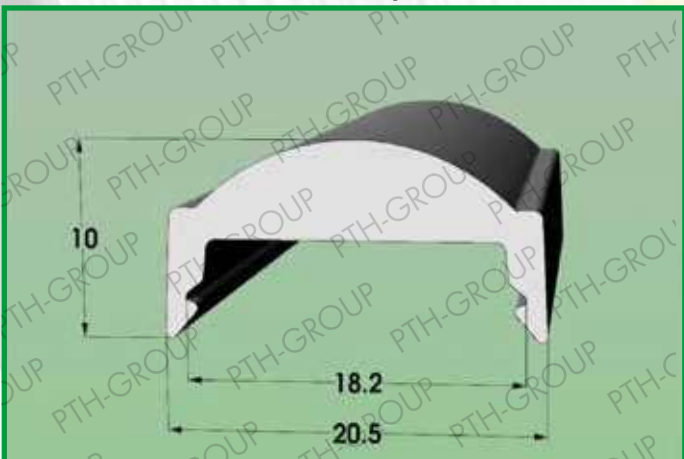
Profile 1010.314
Material: PMMA CLEAR / SATIN



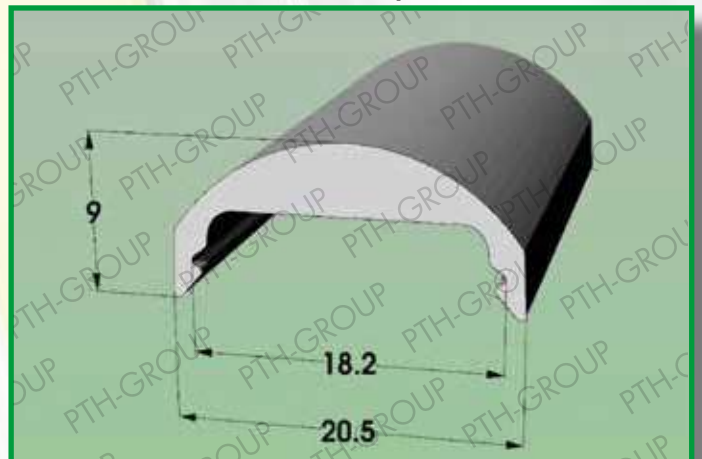
Profile 1010.106
Material: POLYCARBONATE CLEAR
PMMA CLEAR / SATIN



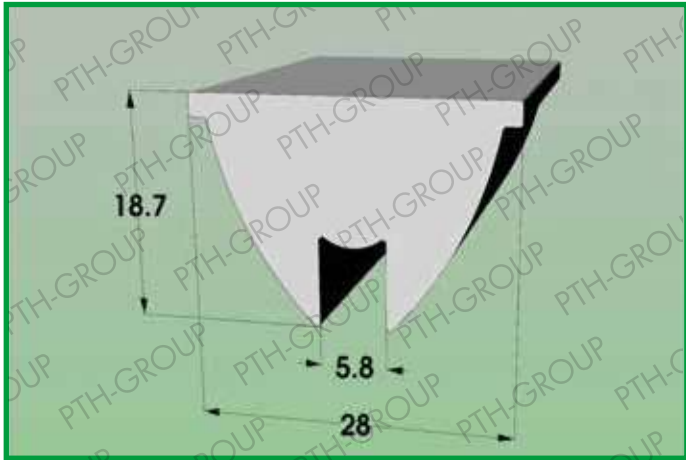
Profile 1010.112
Material: POLYCARBONATE CLEAR
PMMA CLEAR / SATIN



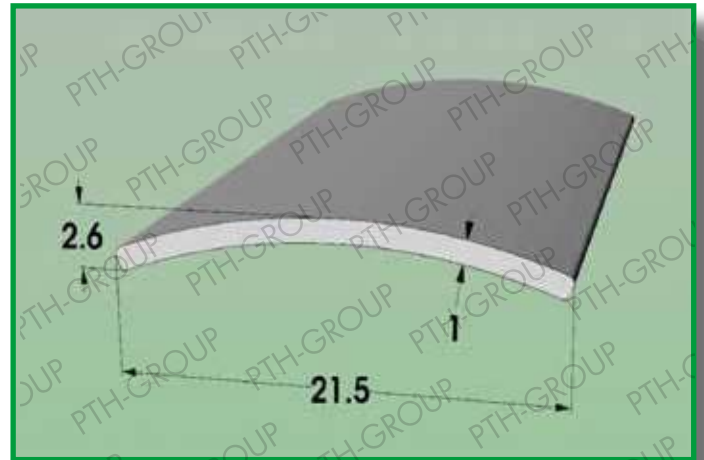
Profile 1010.119
Material: POLYCARBONATE CLEAR
PMMA CLEAR / SATIN



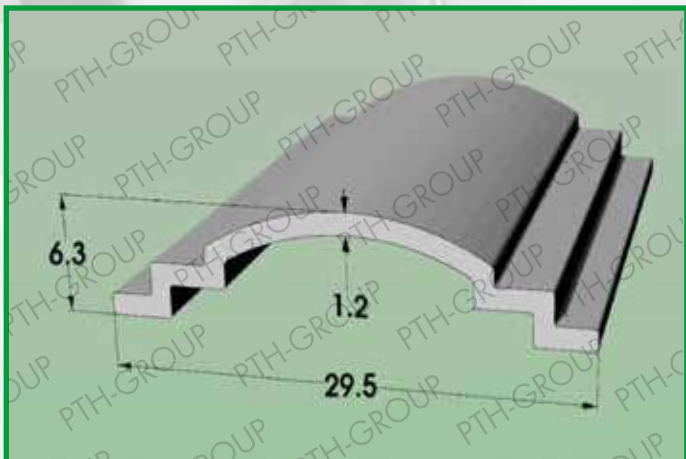
Profile 1010.371
Material: PMMA CLEAR / SATIN



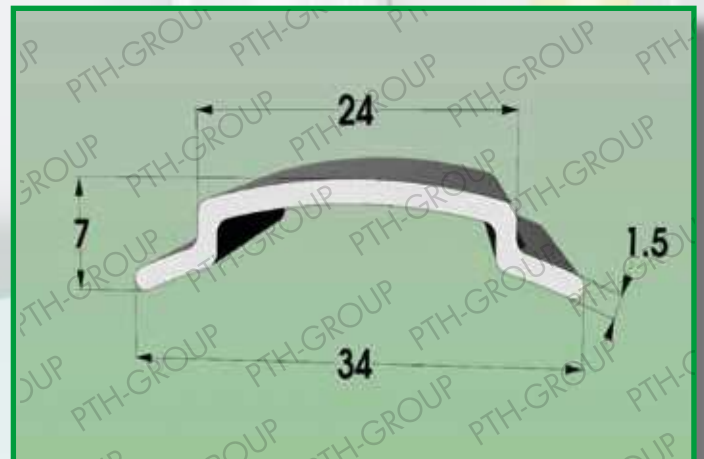
Profile 1010.274
Material: POLYCARBONATE CLEAR / OPAL



Profile 1010.278
Material: POLYCARBONATE CLEAR / OPAL



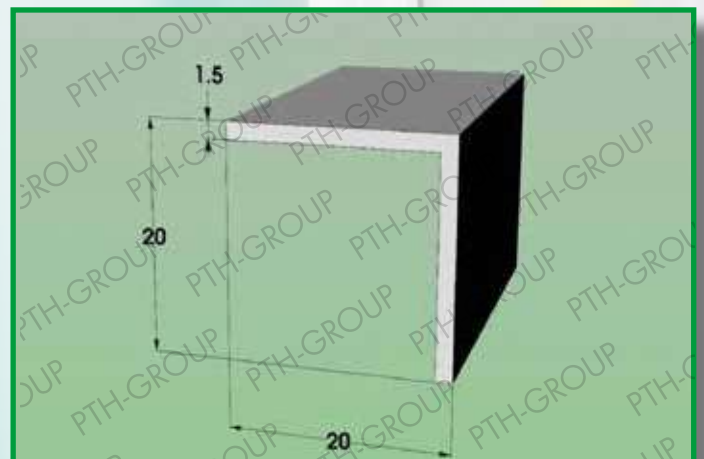
Profile 1010.65
Material: POLYCARBONATE CLEAR / OPAL / SATIN SBB



Profile 1010.83
Material: POLYCARBONATE CLEAR / OPAL

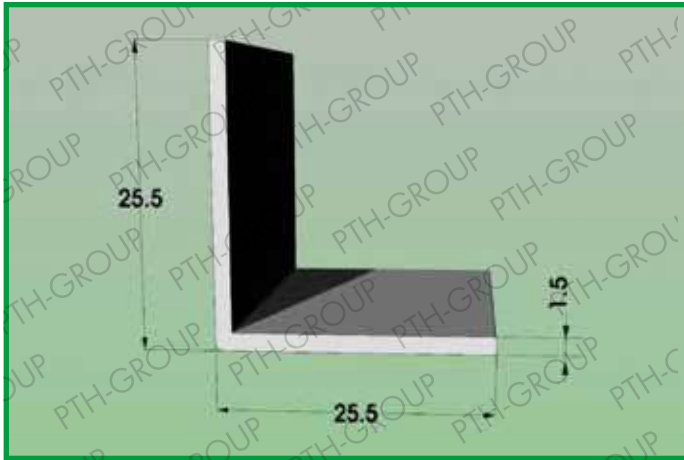


Profile 1010.85
Material: POLYCARBONATE CLEAR / OPAL
PMMA SATIN



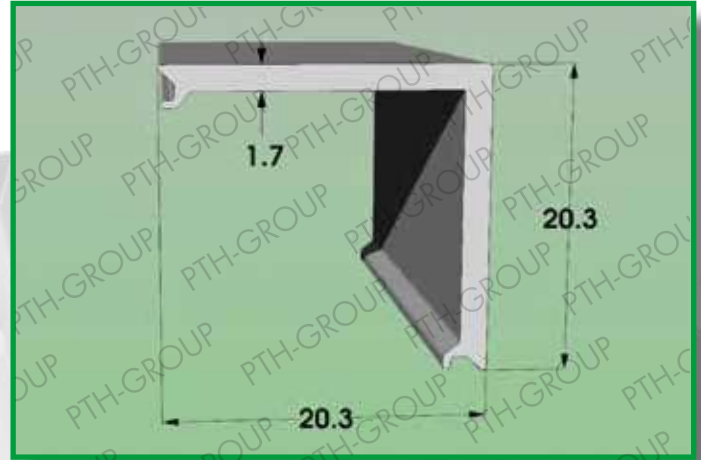
Profile 1010.25

**Material: POLYCARBONATE CLEAR / OPAL
PMMA SATIN**



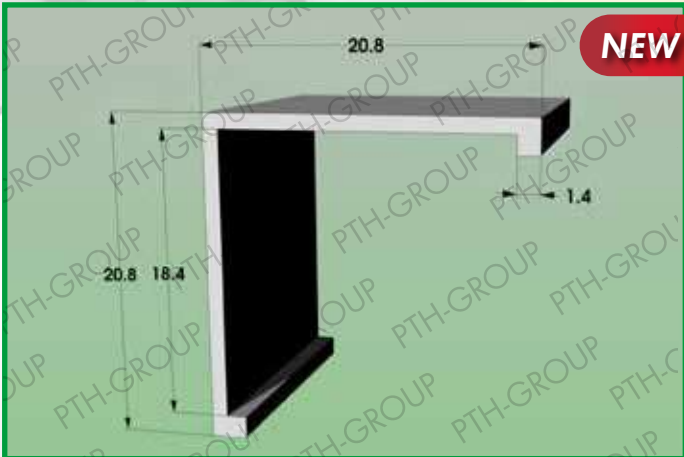
Profile 1010.304

Material: PMMA CLEAR / SATIN



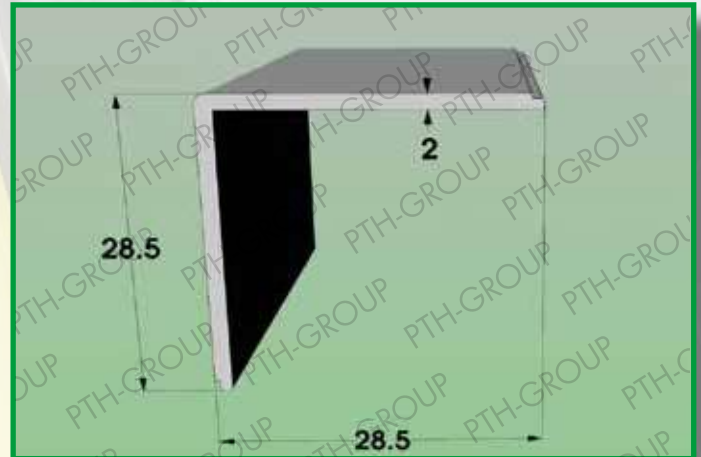
Profile 1010.503

**Material: POLYCARBONATE CLEAR / OPAL / SATIN SBB
PMMA SATIN**



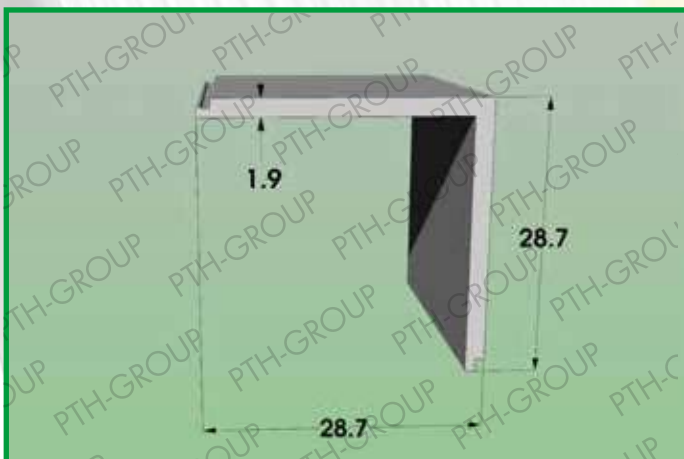
Profile 1010.404

**Material: POLYCARBONATE CLEAR / OPAL
PMMA CLEAR / SATIN**



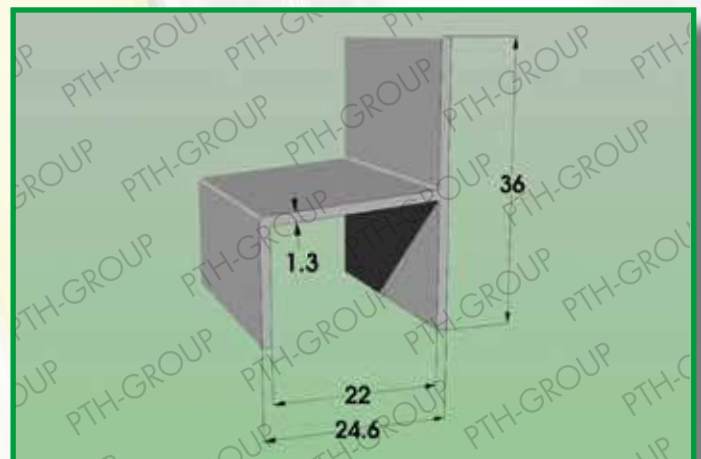
Profile 1010.305

Material: PMMA CLEAR / SATIN

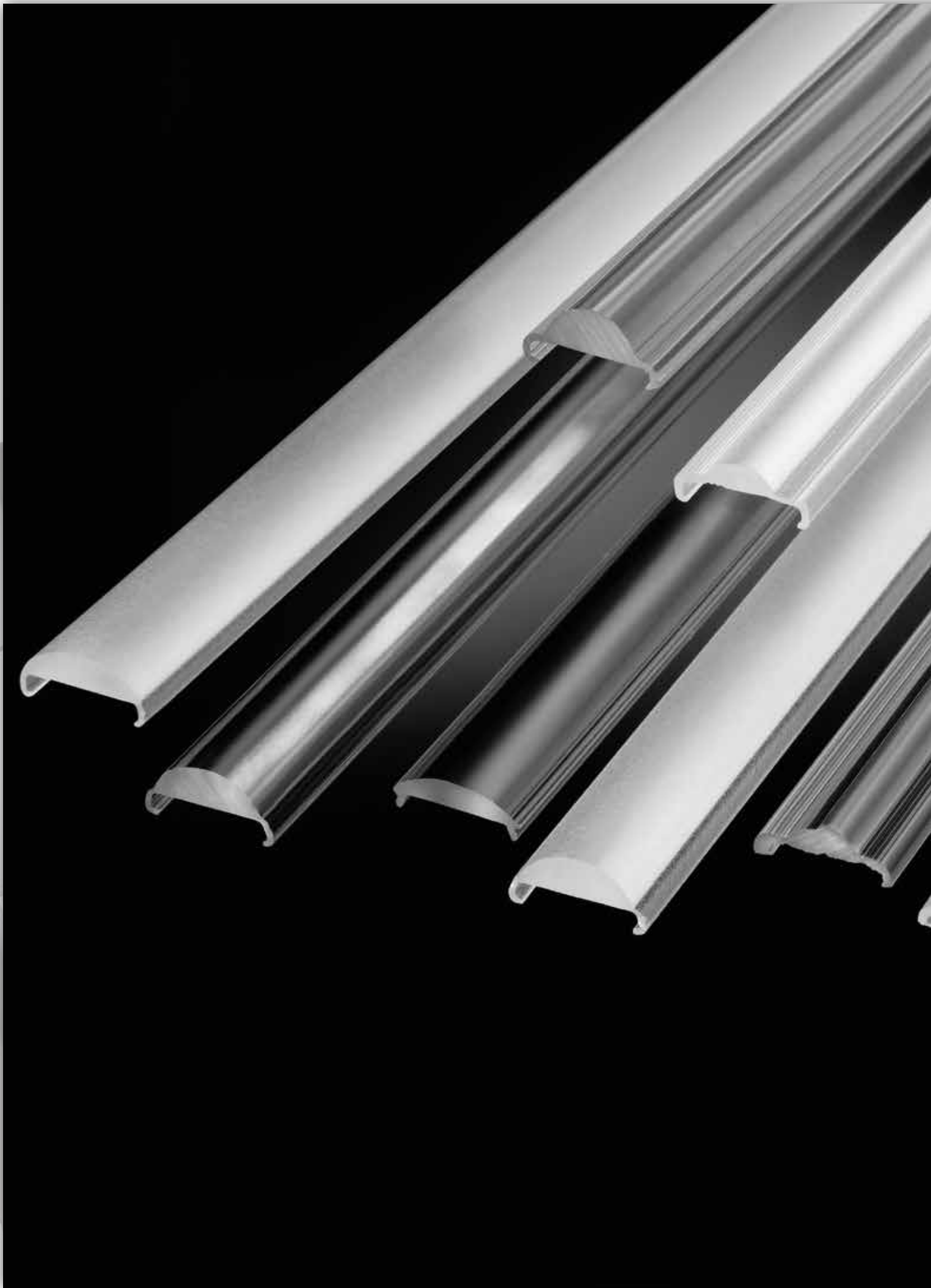


Profile 1010.339

Material: POLYCARBONATE CLEAR / OPAL



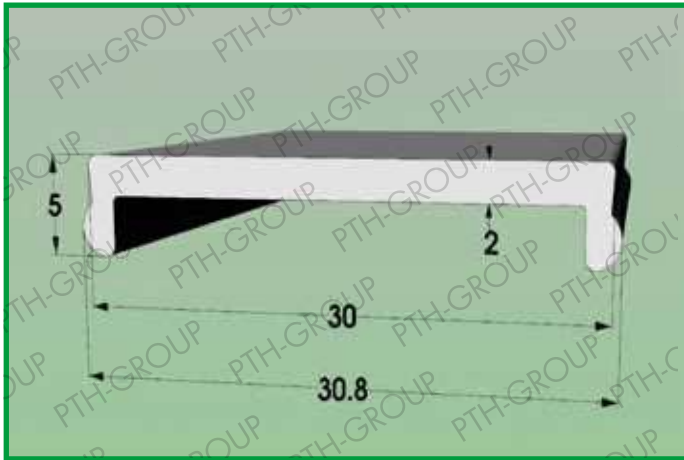






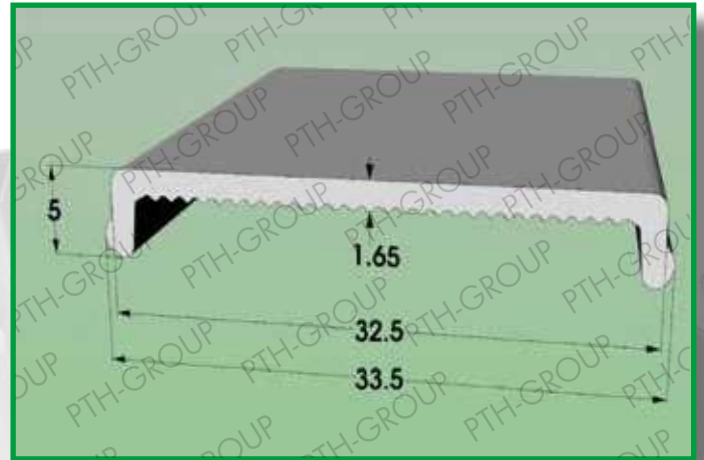
Profile 1010.294

**Material: POLYCARBONATE CLEAR / OPAL
PMMA CLEAR / SATIN**



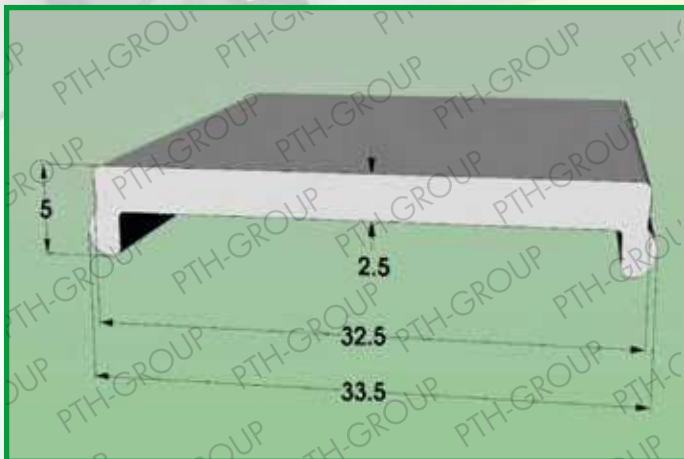
Profile 1010.50

**Material: POLYCARBONATE CLEAR / OPAL
PMMA CLEAR / SATIN**



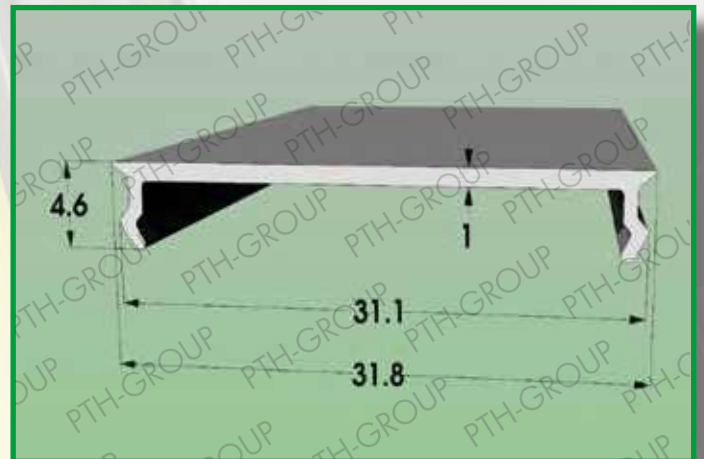
Profile 1010.51

**Material: POLYCARBONATE CLEAR / OPAL / SATIN
PMMA CLEAR / SATIN**



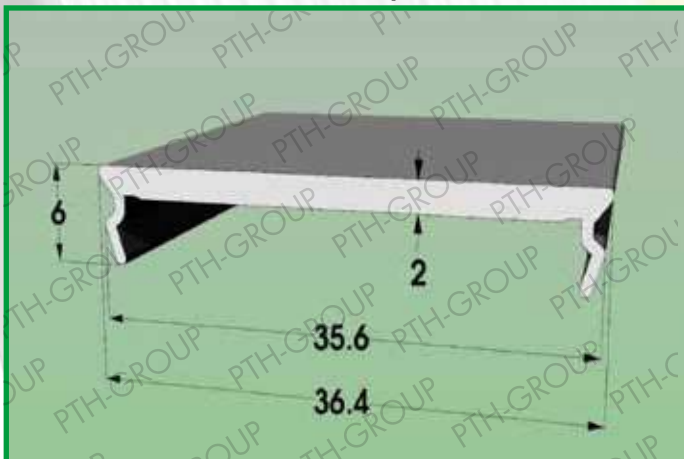
Profile 1010.418

Material: POLYCARBONATE CLEAR / OPAL



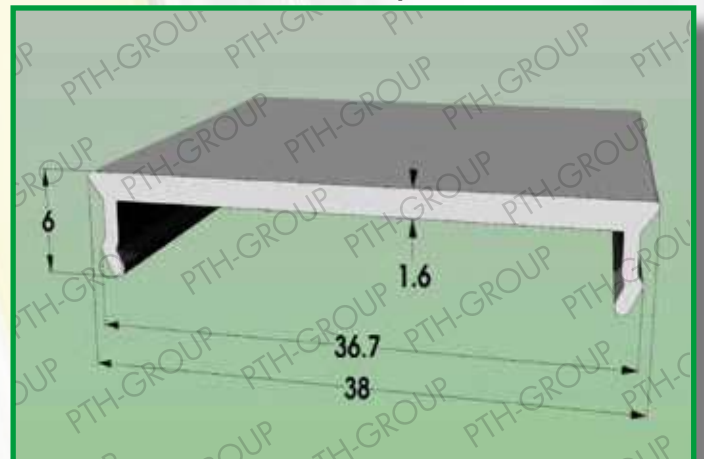
Profile 1010.351

**Material: POLYCARBONATE CLEAR / OPAL / SATIN SBB
PMMA CLEAR / SATIN**



Profile 1010.379

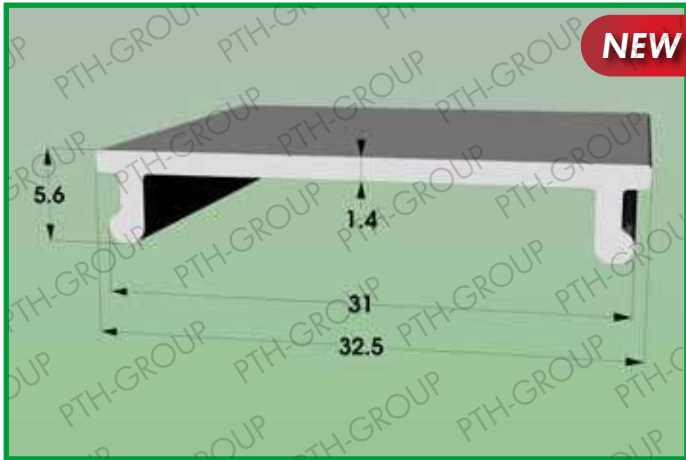
**Material: POLYCARBONATE CLEAR / OPAL / SATIN SBB
PMMA CLEAR / SATIN**



Profile 1010.482

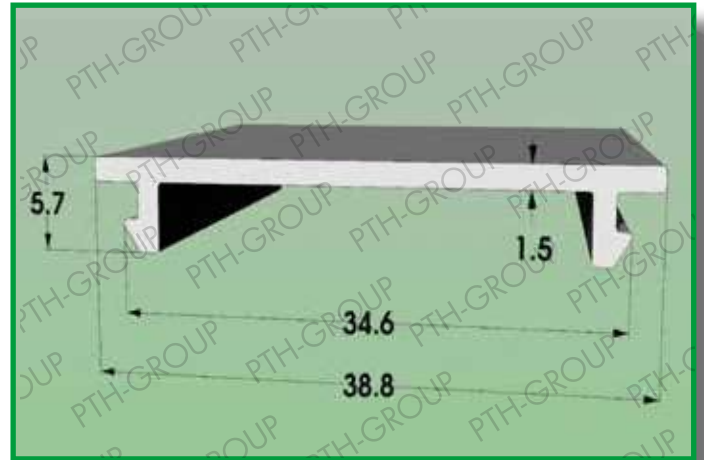
**Material: POLYCARBONATE CLEAR / OPAL / SATIN SBB
PMMA SATIN**

NEW



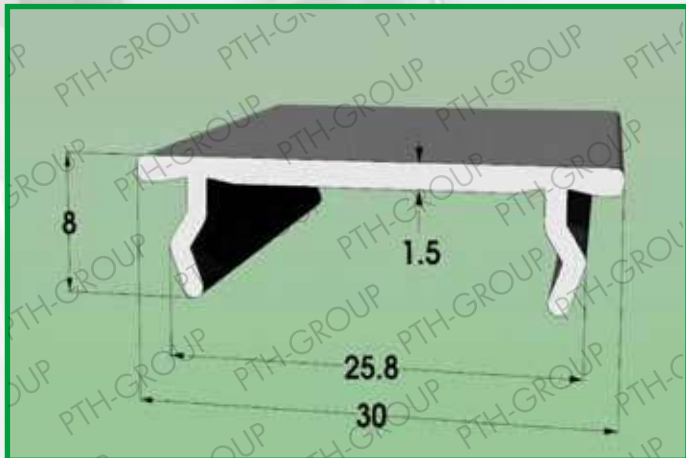
Profile 1010.266

**Material: PMMA CLEAR / SATIN
PMMA CLEAR / SATIN**



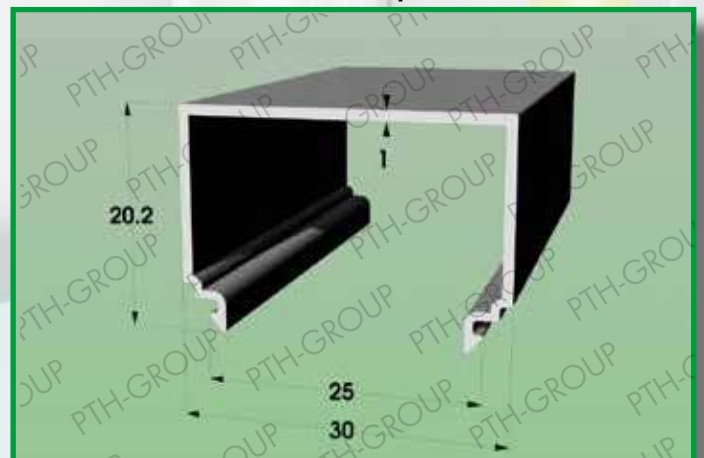
Profile 1010.318

**Material: POLYCARBONATE CLEAR / OPAL / SATIN SBB
PMMA CLEAR / SATIN**



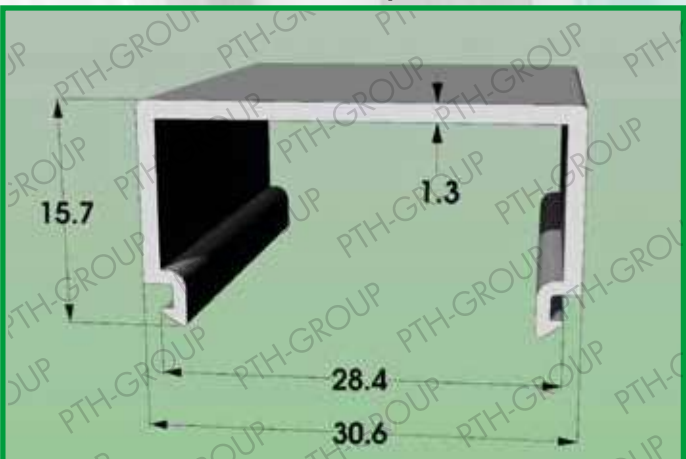
Profile 1010.438

**Material: POLYCARBONATE CLEAR / OPAL
PMMA CLEAR / SATIN**



Profile 1010.303

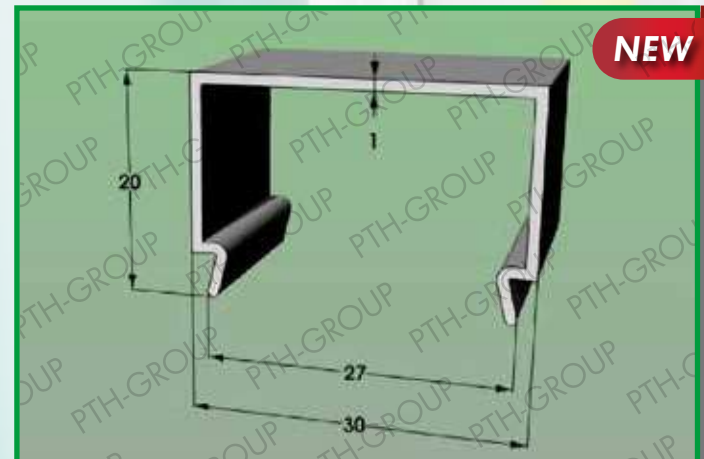
**Material: POLYCARBONATE CLEAR / OPAL
PMMA CLEAR / SATIN**



Profile 1010.494

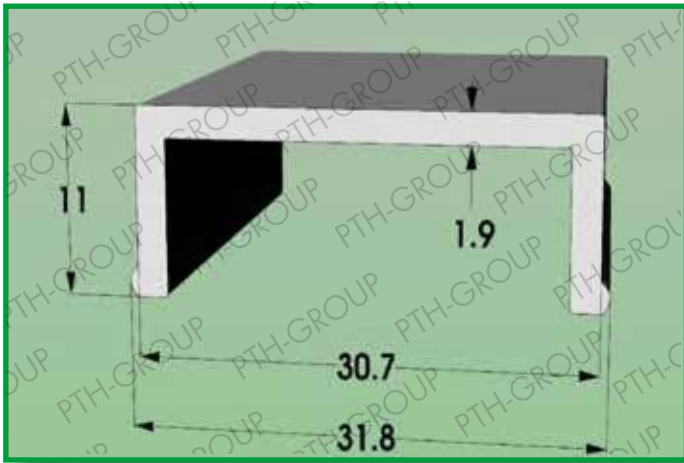
**Material: POLYCARBONATE CLEAR / OPAL / SATIN SBB
PMMA SATIN**

NEW



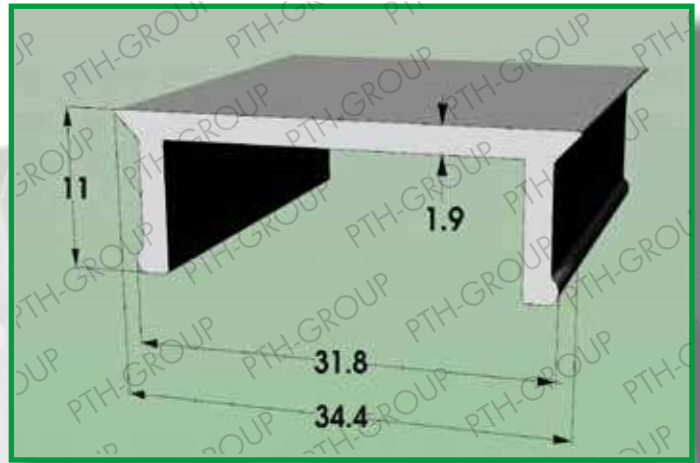
Profile 1010.340

**Material: POLYCARBONATE CLEAR / OPAL / SATIN SBB
PMMA CLEAR / SATIN**



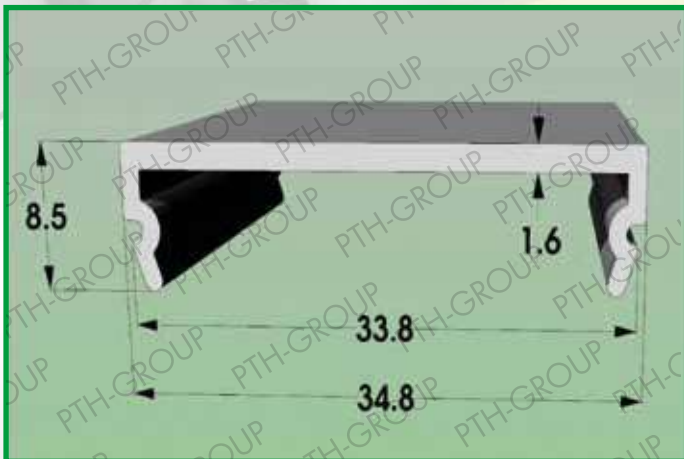
Profile 1010.341

**Material: POLYCARBONATE CLEAR / OPAL / SATIN SBB
PMMA CLEAR / SATIN**



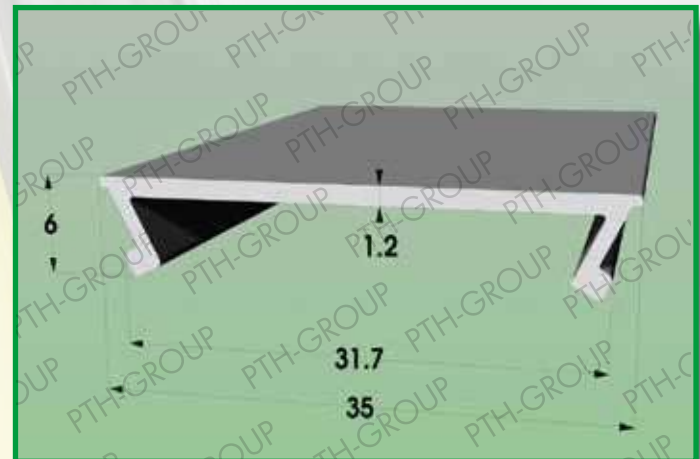
Profile 1010.180

**Material: POLYCARBONATE CLEAR / OPAL
PMMA CLEAR / SATIN**



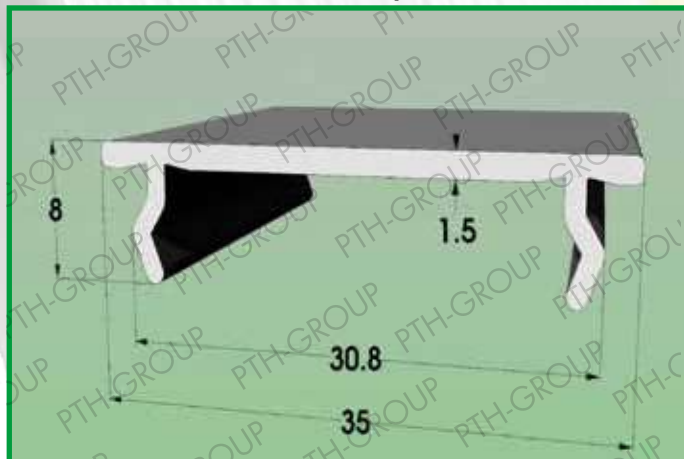
Profile 1010.449

Material: POLYCARBONATE CLEAR / OPAL



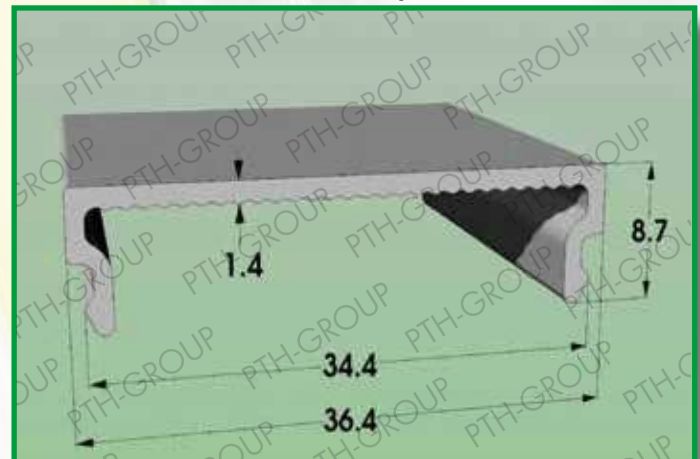
Profile 1010.319

**Material: POLYCARBONATE CLEAR / OPAL / SATIN SBB
PMMA CLEAR / SATIN**



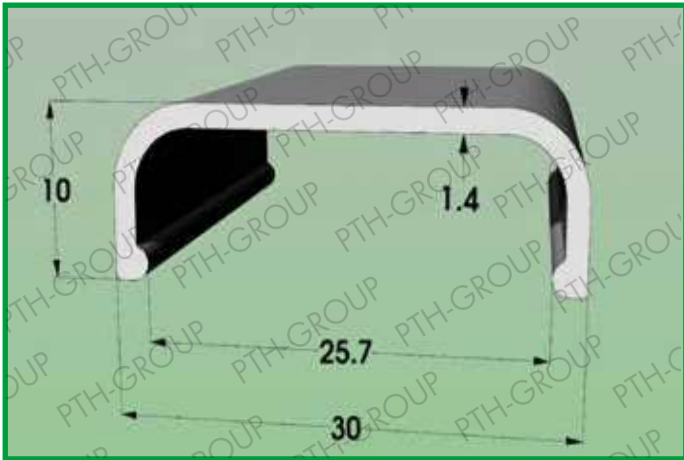
Profile 1010.357

**Material: PMMA CLEAR / SATIN
PMMA CLEAR / SATIN**



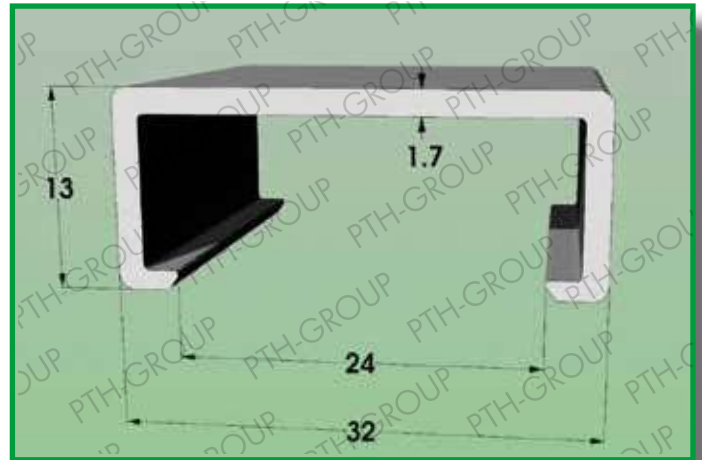
Profile 1010.224

Material: POLYCARBONATE CLEAR / OPAL



Profile 1010.427

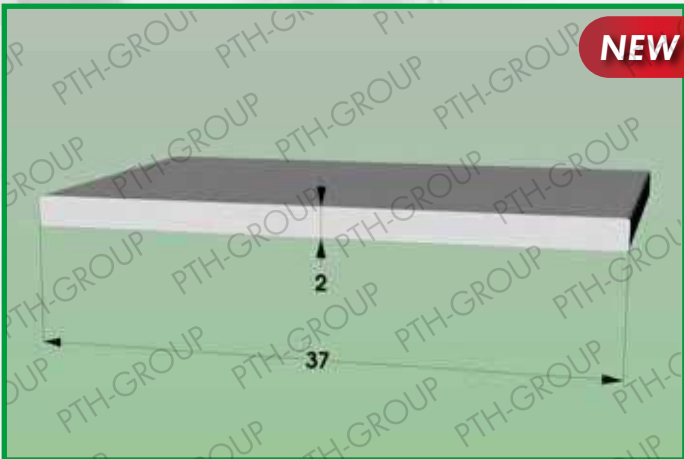
**Material: POLYCARBONATE CLEAR / OPAL
PMMA CLEAR / SATIN**



Profile 1010.481

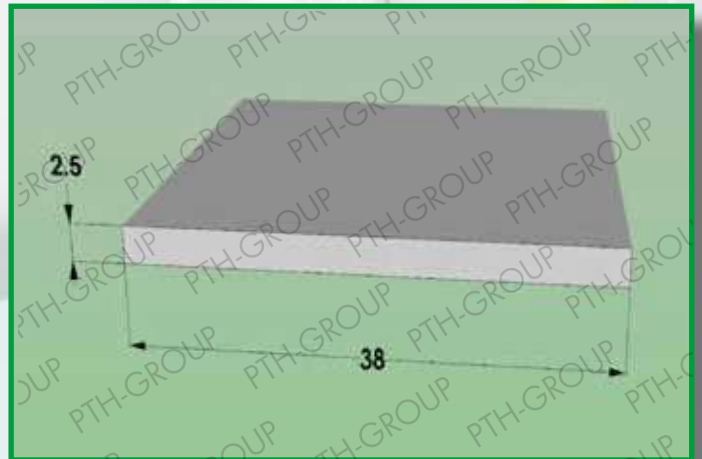
**Material: POLYCARBONATE CLEAR / OPAL / SATIN SBB
PMMA SATIN**

NEW



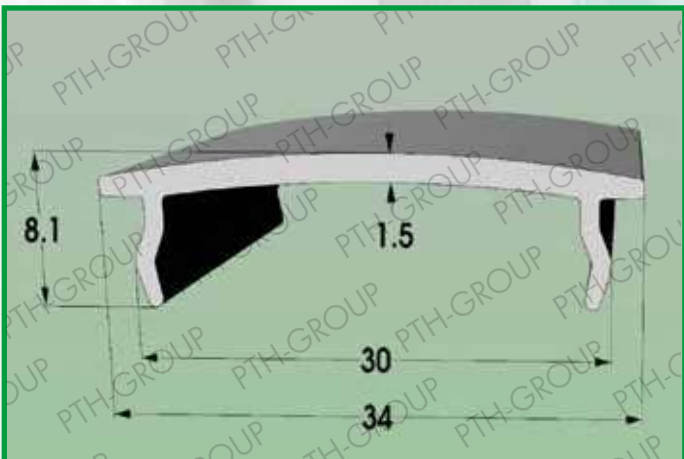
Profile 1010.56

Material: PMMA SATIN



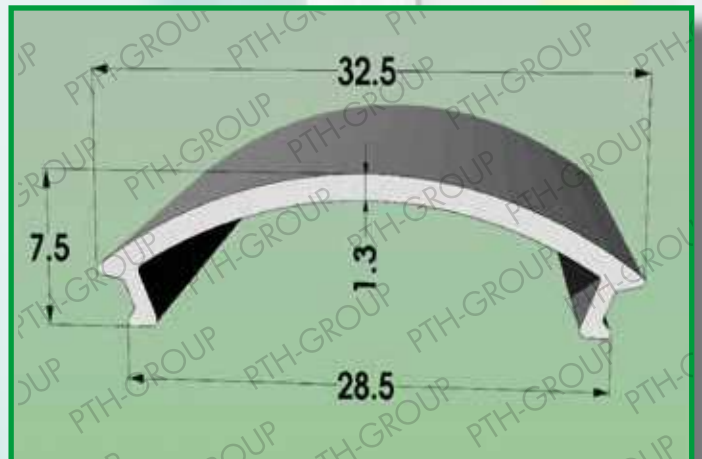
Profile 1010.429

**Material: POLYCARBONATE CLEAR / OPAL
PMMA SATIN**

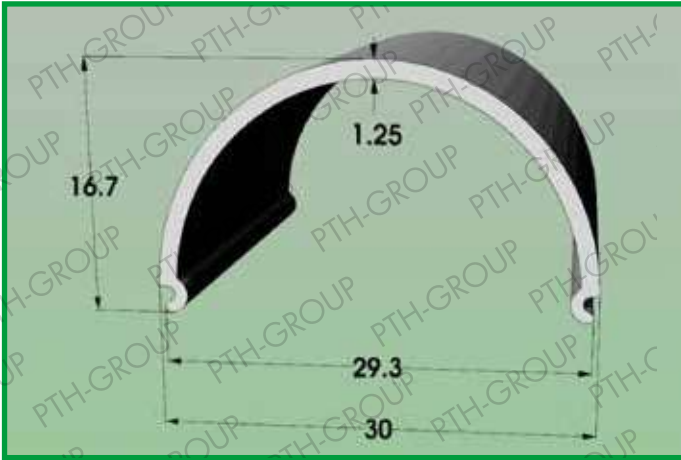


Profile 1010.20

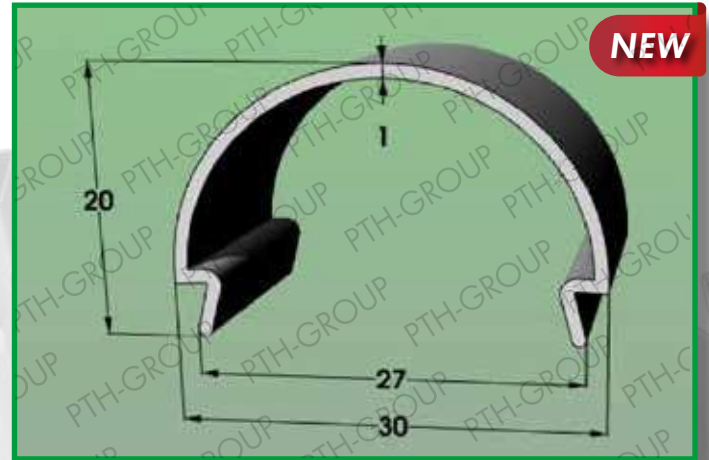
**Material: POLYCARBONATE CLEAR / OPAL
PMMA SATIN**



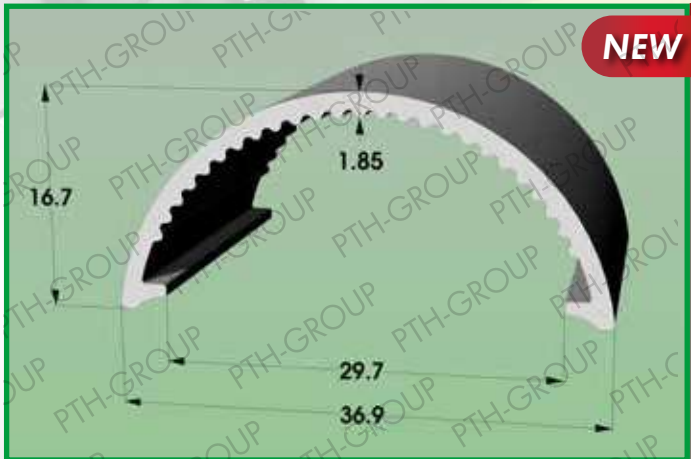
Profile 1010.287
Material: POLYCARBONATE CLEAR / OPAL
PMMA CLEAR / SATIN



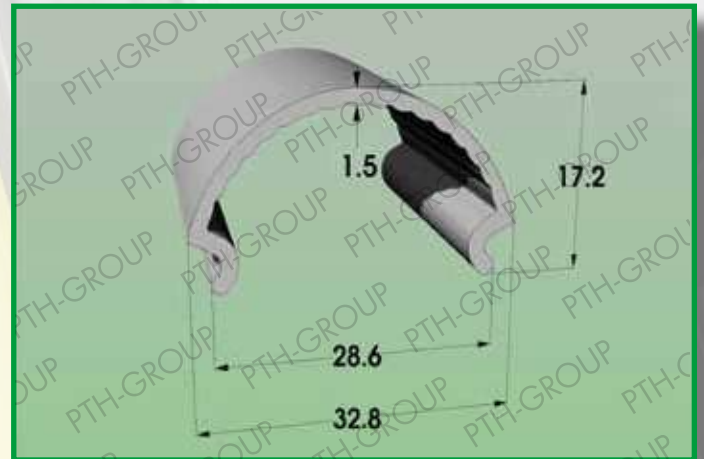
Profile 1010.493
Material: POLYCARBONATE CLEAR / OPAL / SATIN SBB
PMMA SATIN



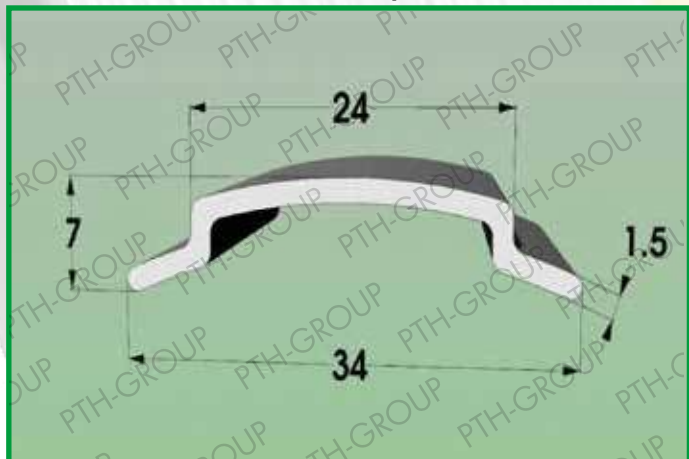
Profile 1010.485
Material: POLYCARBONATE CLEAR / OPAL / SATIN SBB
PMMA SATIN



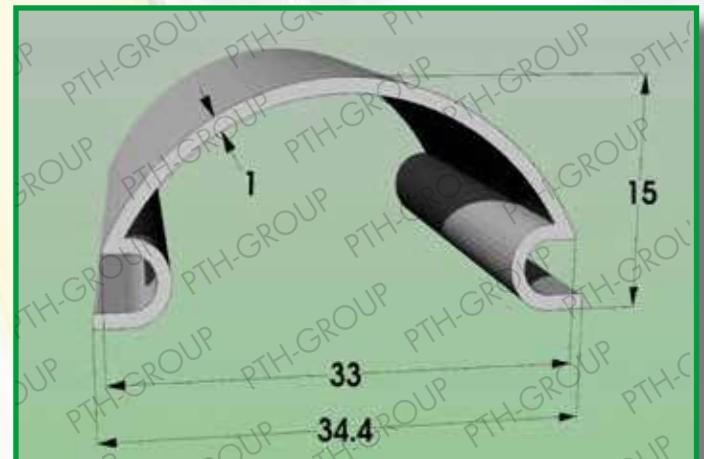
Profile 1010.335
Material: POLYCARBONATE CLEAR / OPAL
PMMA CLEAR / SATIN



Profile 1010.65
Material: POLYCARBONATE CLEAR / OPAL / SATIN SBB
PMMA CLEAR / SATIN

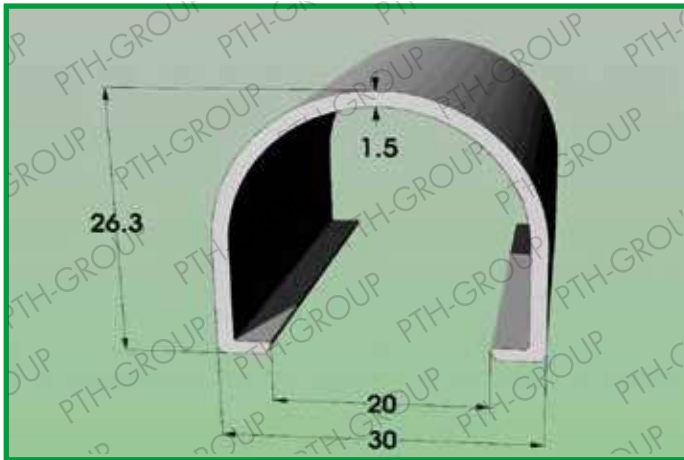


Profile 1010.366
Material: POLYCARBONATE CLEAR / OPAL / SATIN SBB



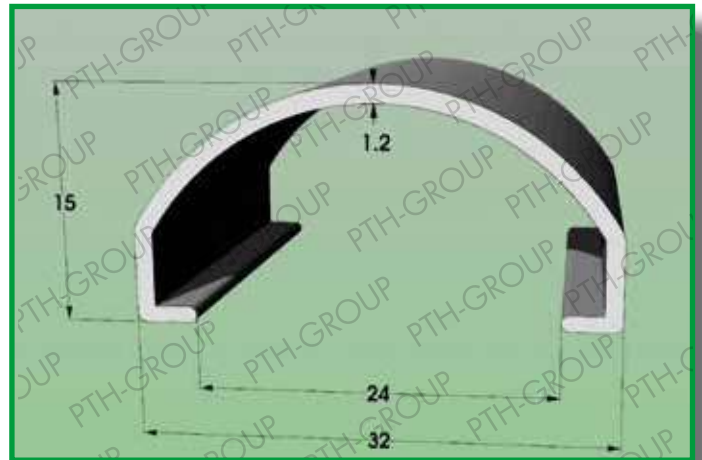
Profile 1010.390

**Material: POLYCARBONATE CLEAR / OPAL
PMMA CLEAR / SATIN**



Profile 1010.433

**Material: POLYCARBONATE CLEAR / OPAL
PMMA CLEAR / SATIN**



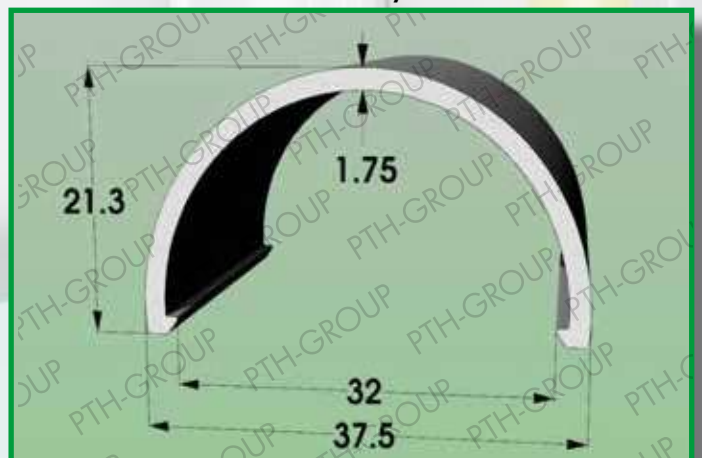
Profile 1010.338

**Material: POLYCARBONATE CLEAR / OPAL
PMMA CLEAR / SATIN**



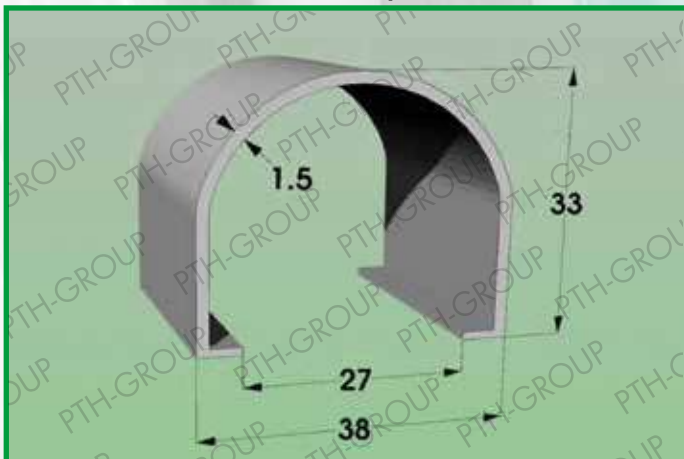
Profile 1010.376

**Material: POLYCARBONATE CLEAR / OPAL / SATIN SBB
PMMA CLEAR / SATIN**



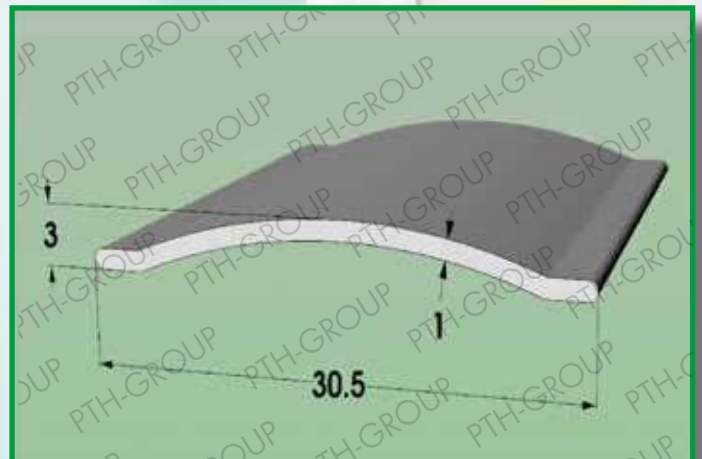
Profile 1010.350

**Material: POLYCARBONATE CLEAR / OPAL
PMMA CLEAR / SATIN**



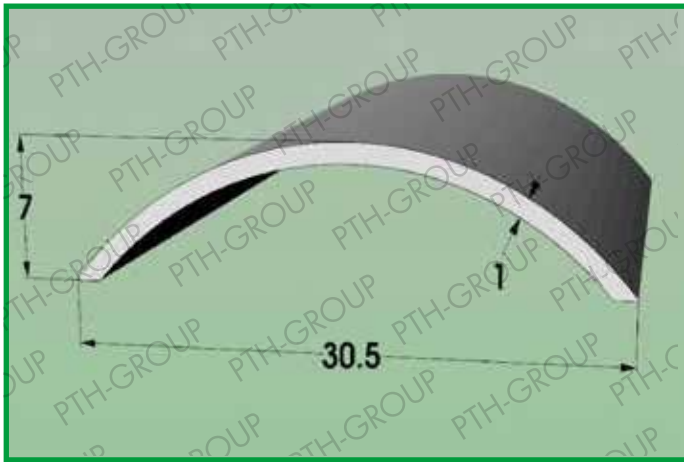
Profile 1010.236

Material: POLYCARBONATE CLEAR / OPAL / SATIN SBB



Profile 1010.234

Material: POLYCARBONATE CLEAR / OPAL



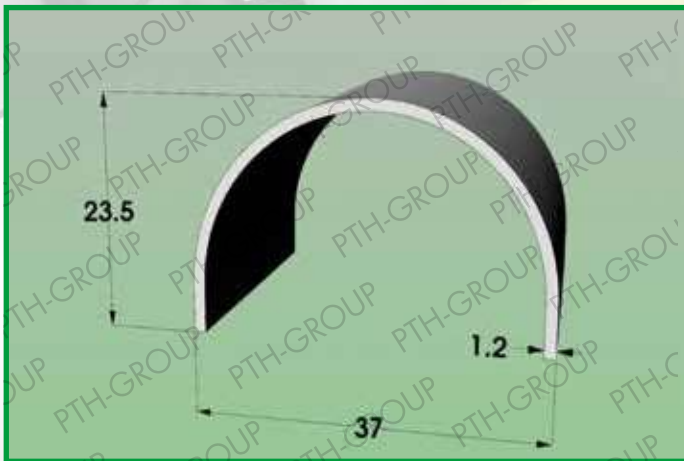
Profile 1010.347

**Material: POLYCARBONATE CLEAR / OPAL
PMMA CLEAR / SATIN**



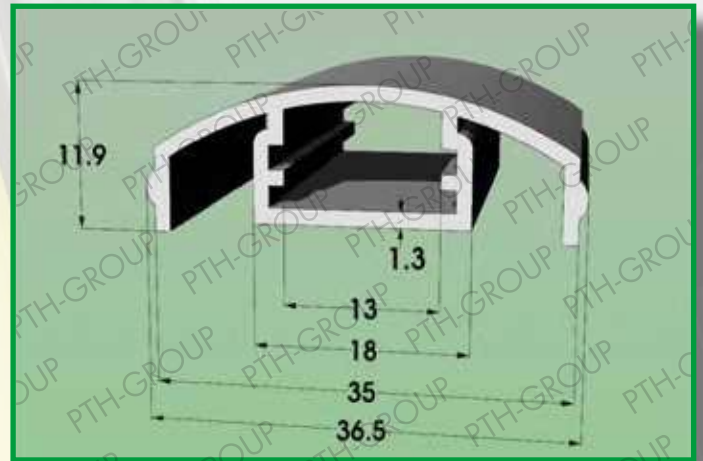
Profile 1010.115

Material: POLYCARBONATE CLEAR / OPAL



Profile 1010.126

Material: POLYCARBONATE CLEAR / OPAL

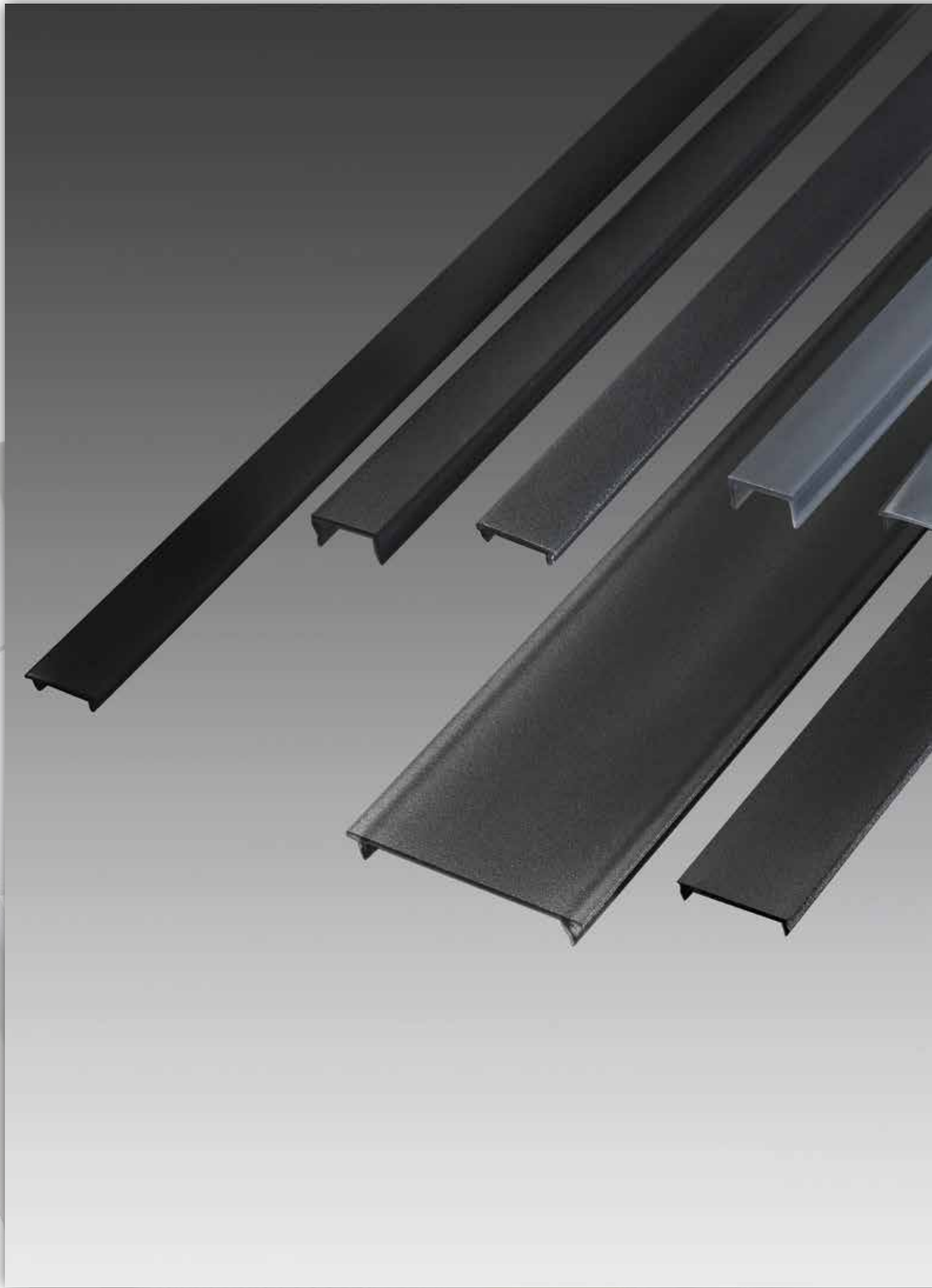


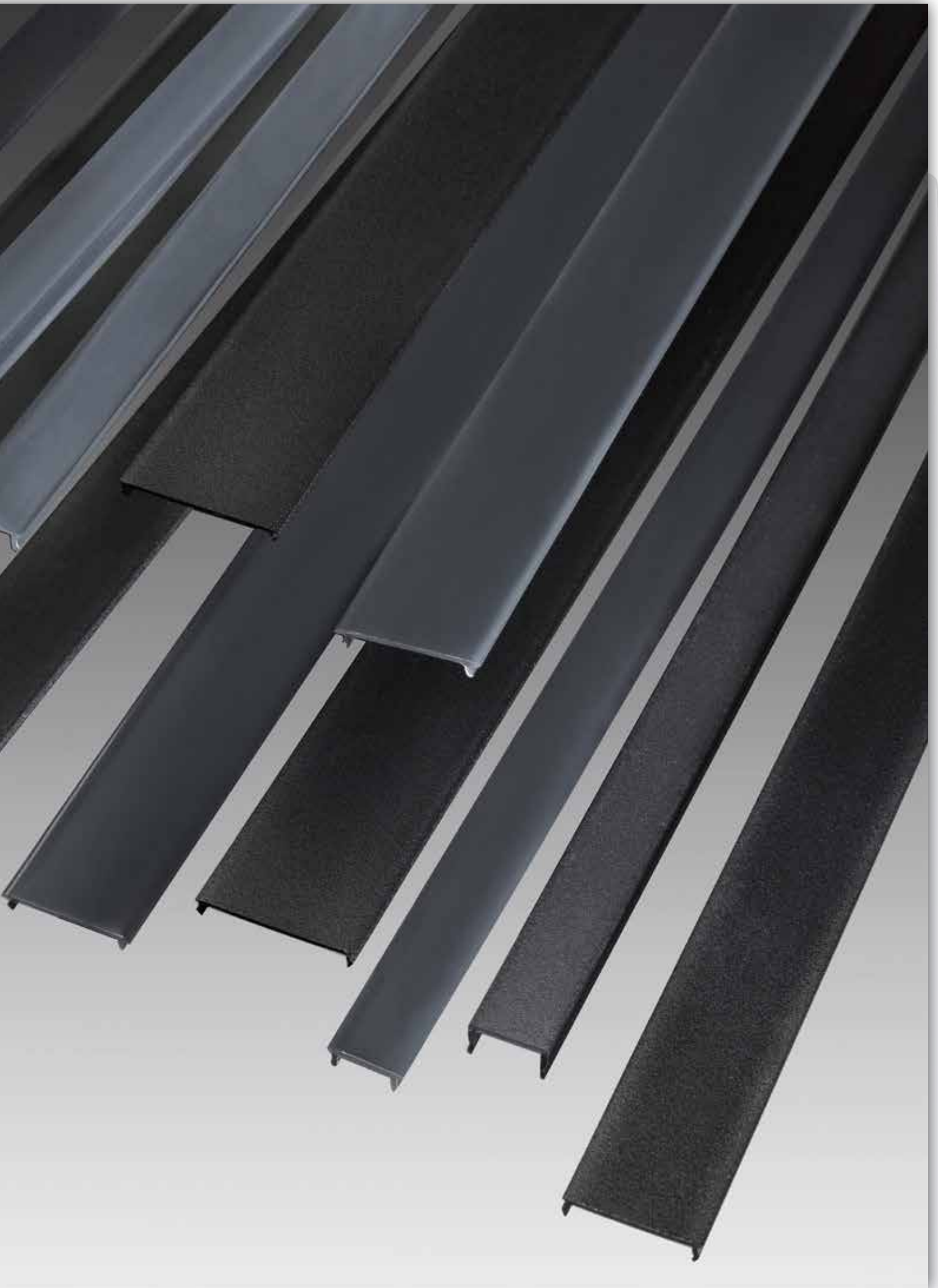
Profile 1010.125

Material: POLYCARBONATE COEXTRUDED

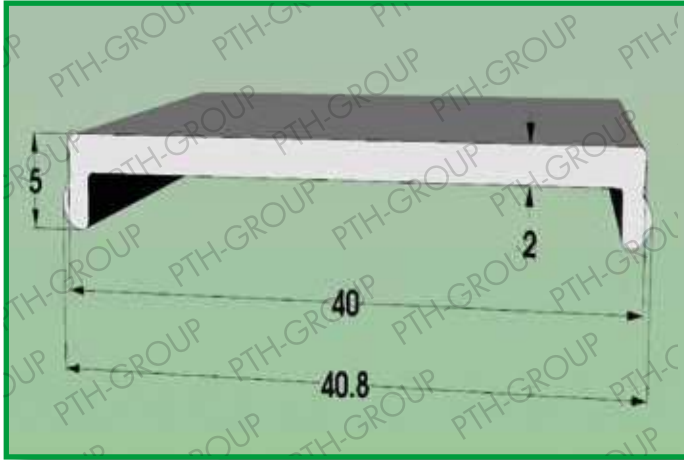




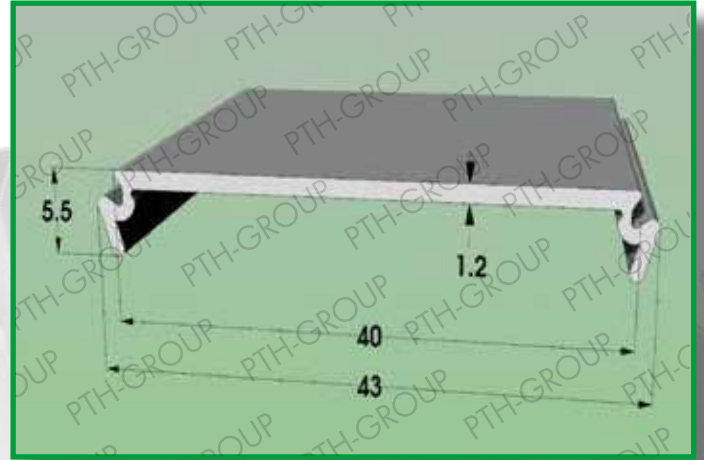




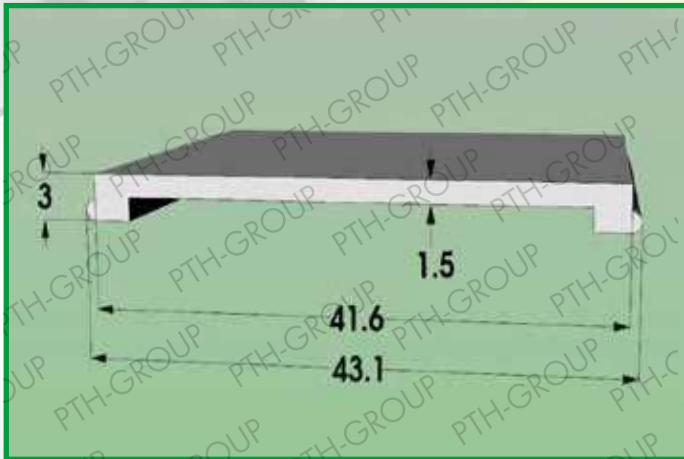
Profile 1010.295
Material: POLYCARBONATE CLEAR / OPAL
PMMA CLEAR / SATIN



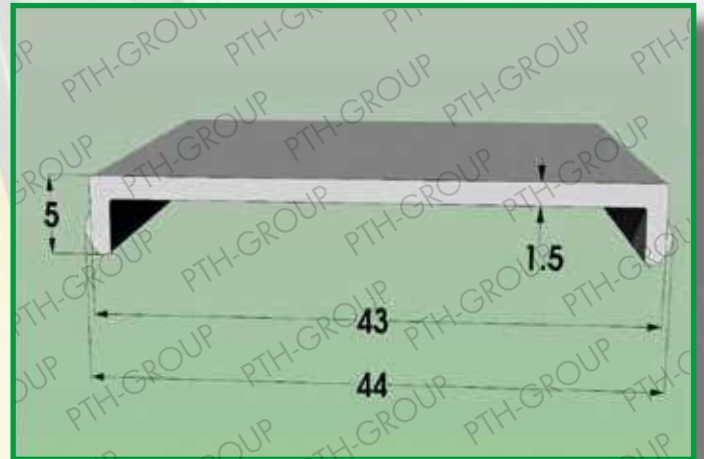
Profile 1010.41
Material: PMMA SATIN



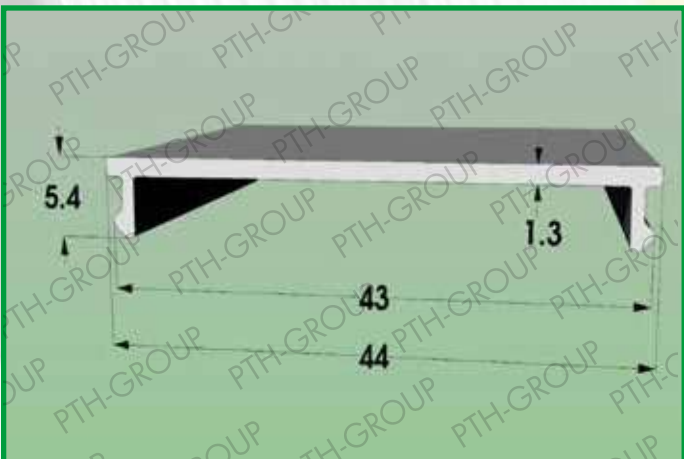
Profile 1010.362
Material: PMMA CLEAR / SATIN



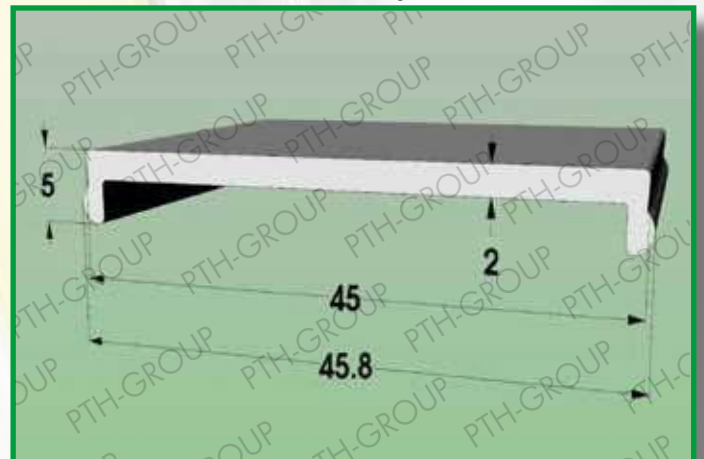
Profile 1010.269
Material: PMMA CLEAR / SATIN



Profile 1010.268
Material: PMMA SATIN

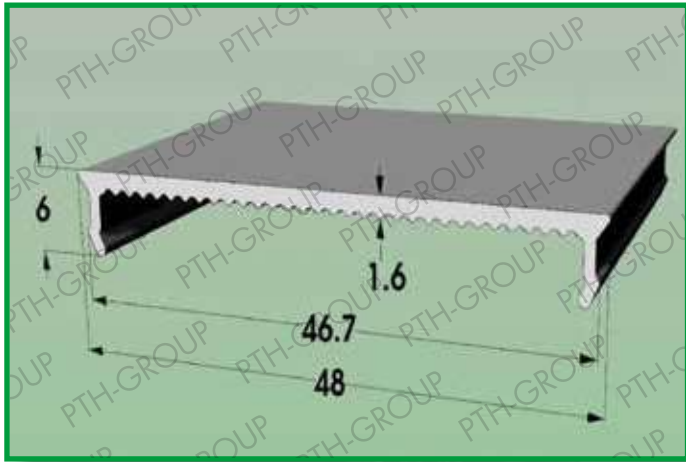


Profile 1010.296
Material: POLYCARBONATE CLEAR / OPAL
PMMA CLEAR / SATIN



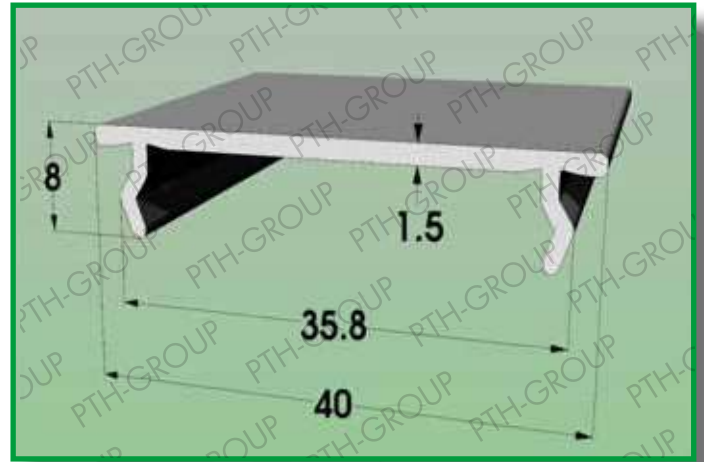
Profile 1010.380

Material: POLYCARBONATE CLEAR / OPAL / SATIN SBB



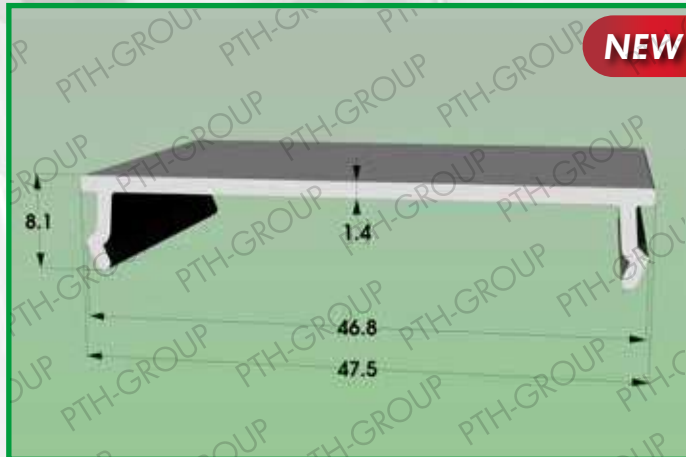
Profile 1010.320

**Material: POLYCARBONATE CLEAR / OPAL / SATIN SBB
PMMA CLEAR / SATIN**



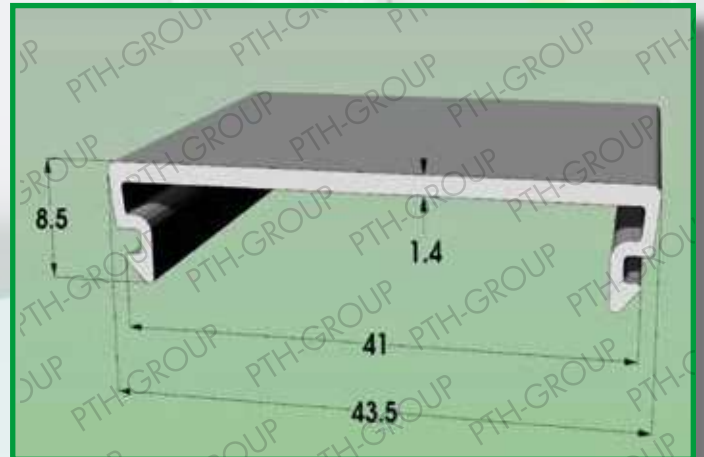
Profile 1010.483

**Material: POLYCARBONATE CLEAR / OPAL / SATIN SBB
PMMA CLEAR / SATIN**



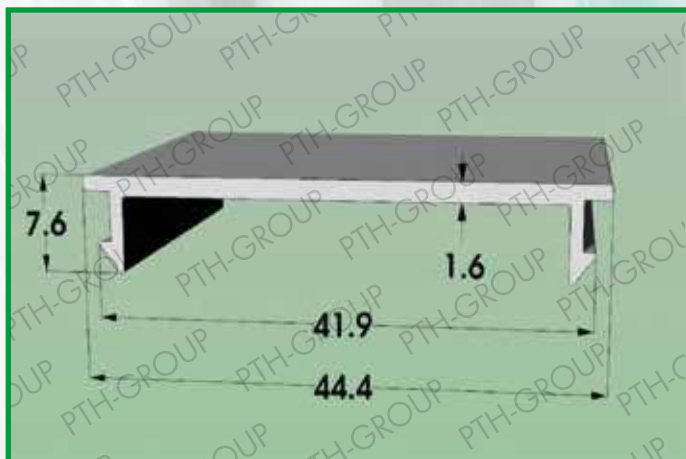
Profile 1010.32

**Material: POLYCARBONATE CLEAR / OPAL / SATIN SBB
PMMA SATIN**



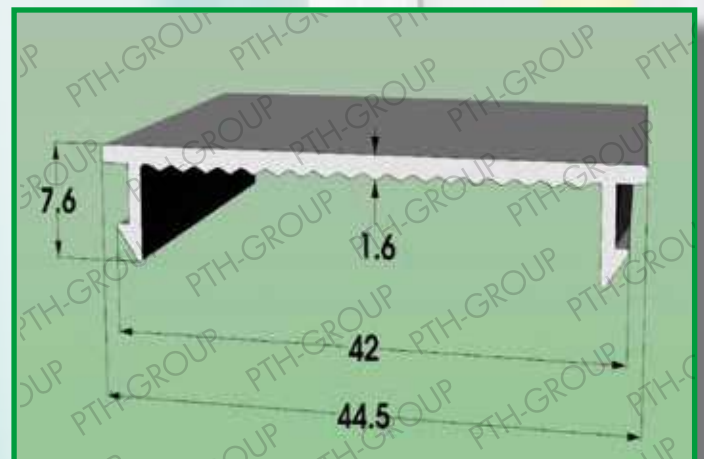
Profile 1010.307

Material: POLYCARBONATE CLEAR / OPAL



Profile 1010.79

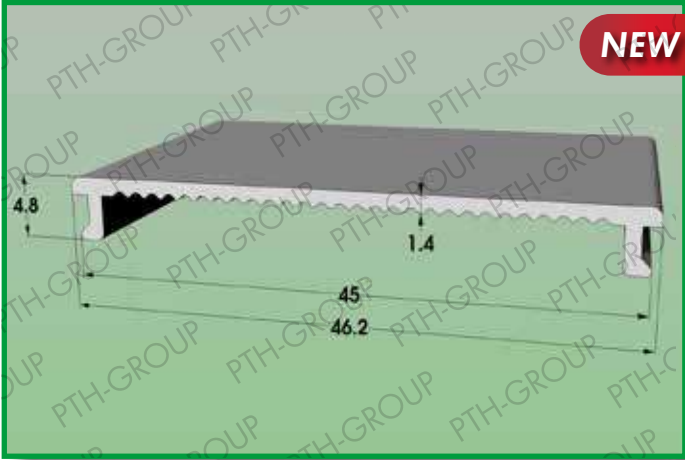
Material: POLYCARBONATE CLEAR / OPAL



Profile 1010.459

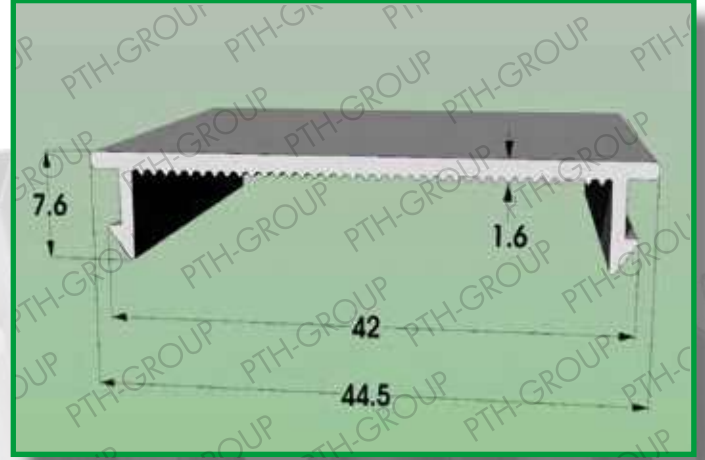
**Material: POLYCARBONATE CLEAR / OPAL / SATIN SBB
PMMA CLEAR / SATIN**

NEW



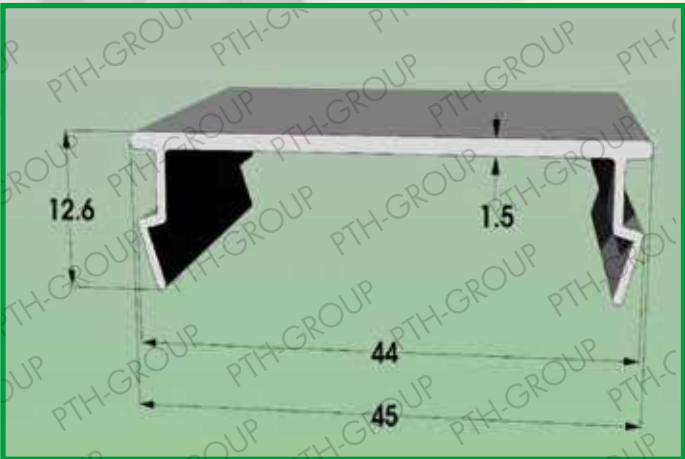
Profile 1010.220

Material: POLYCARBONATE CLEAR / OPAL / SATIN SBB



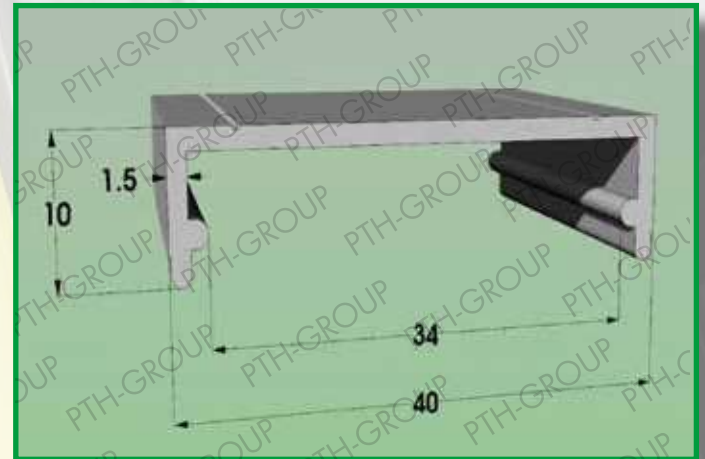
Profile 1010.40

**Material: POLYCARBONATE CLEAR / OPAL / SATIN SBB
PMMA SATIN**



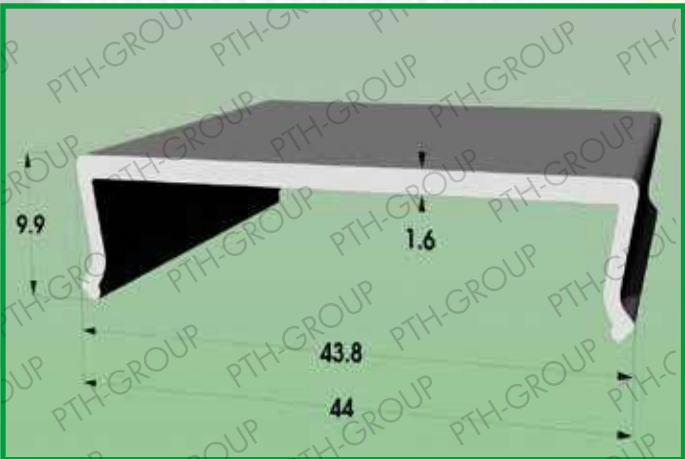
Profile 1010.86

**Material: POLYCARBONATE CLEAR / OPAL / SATIN SBB
PMMA SATIN**



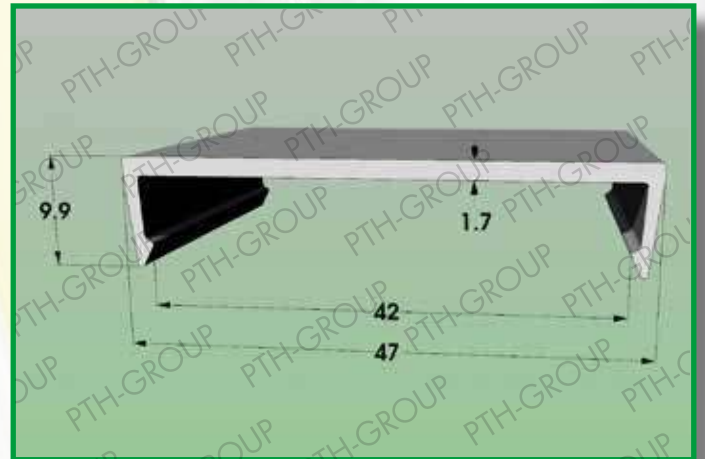
Profile 1010.440

**Material: POLYCARBONATE CLEAR / OPAL
PMMA CLEAR / SATIN**



Profile 1010.412

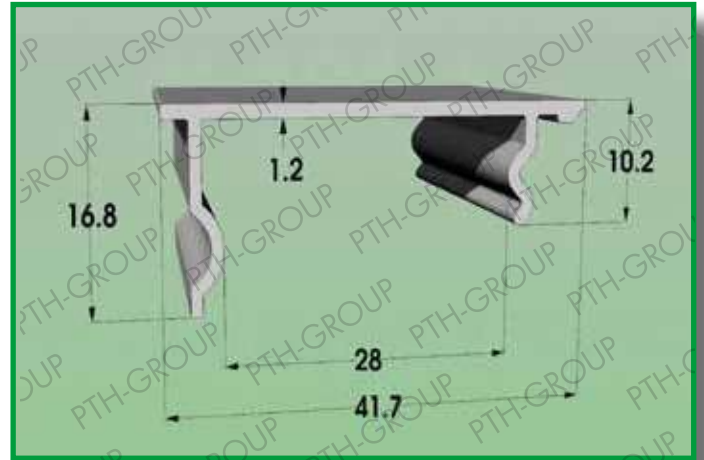
**Material: POLYCARBONATE CLEAR / OPAL
PMMA CLEAR / SATIN**



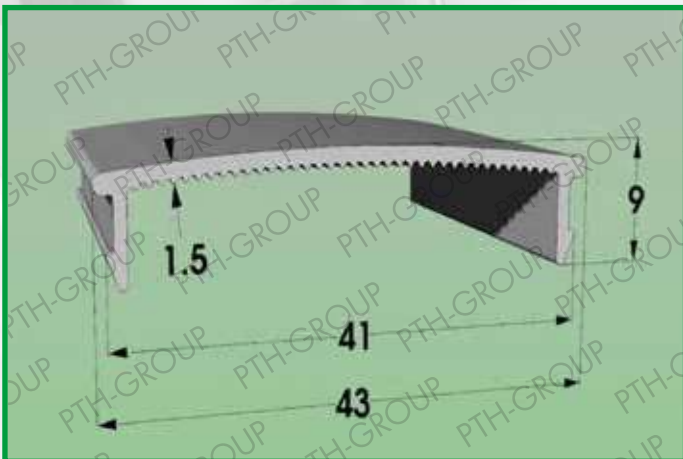
Profile 1010.179
Material: PMMA SATIN



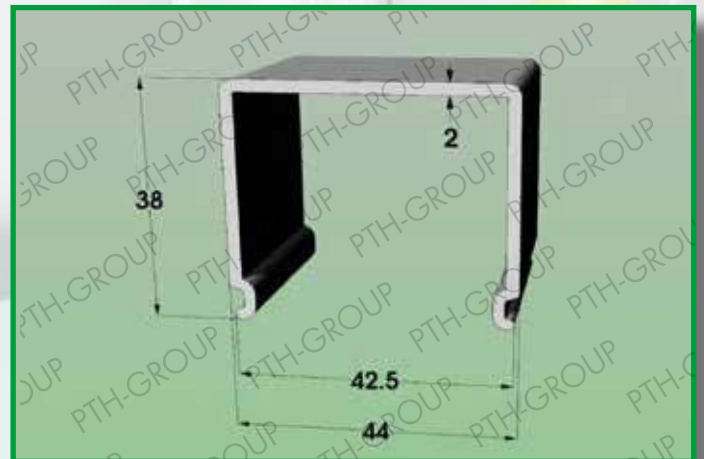
Profile 1010.128
Material: POLYCARBONATE CLEAR / OPAL



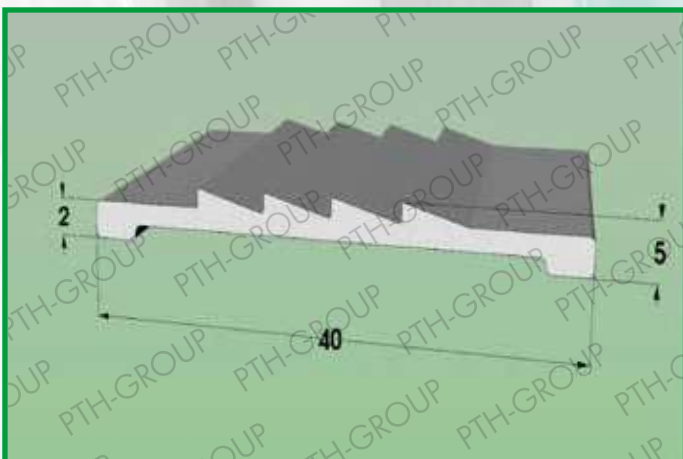
Profile 1010.317
Material: POLYCARBONATE CLEAR / OPAL
PMMA SATIN



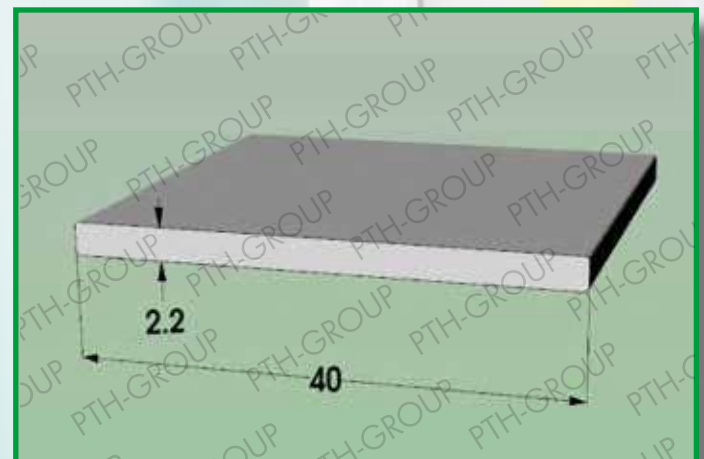
Profile 1010.241
Material: PMMA CLEAR / SATIN



Profile 1010.07
Material: POLYCARBONATE CLEAR / OPAL

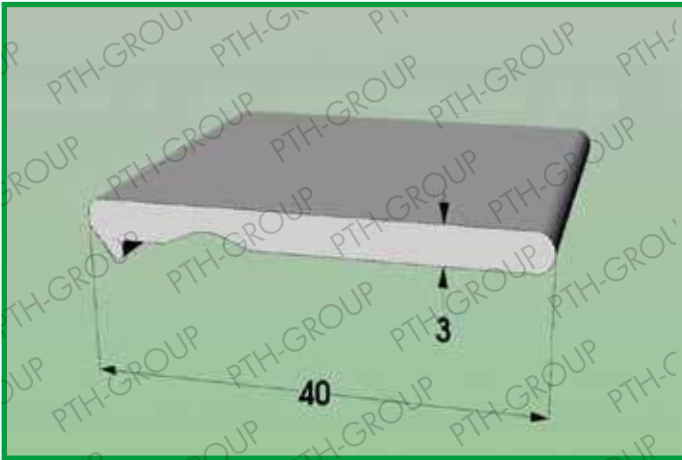


Profile 1010.332
Material: PMMA CLEAR / SATIN



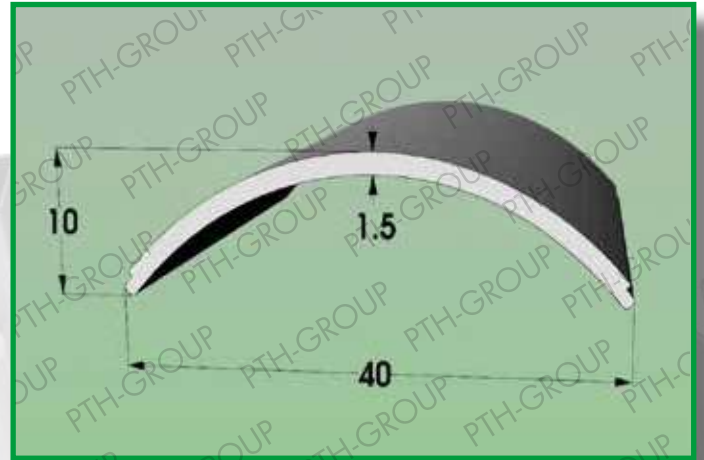
Profile 1010.107

Material: POLYCARBONATE CLEAR / OPAL



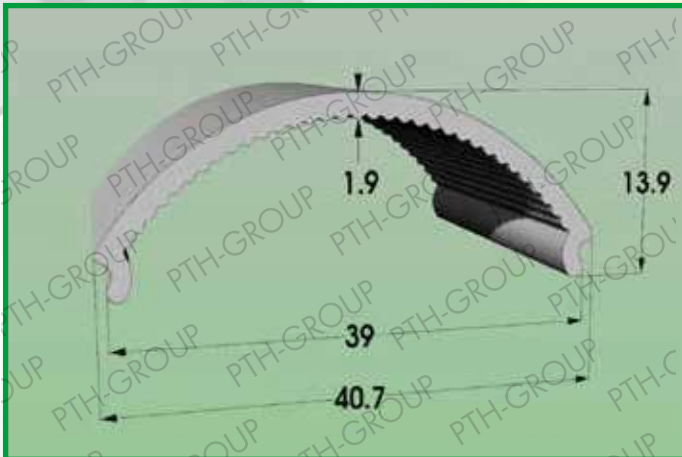
Profile 1010.405

Material: POLYCARBONATE CLEAR / OPAL



Profile 1010.247

**Material: POLYCARBONATE CLEAR / OPAL
PMMA CLEAR / SATIN**



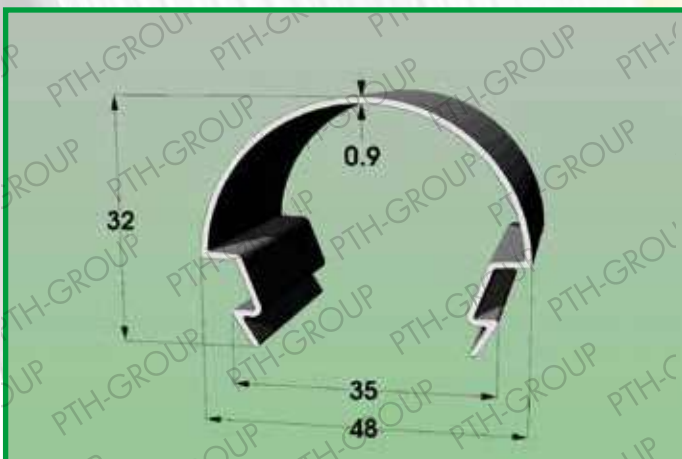
Profile 1010.69

Material: POLYCARBONATE CLEAR / OPAL



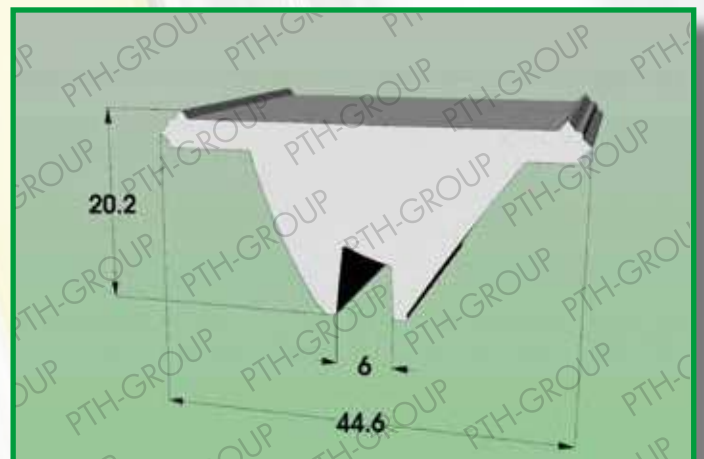
Profile 1010.26

Material: POLYCARBONATE CLEAR / OPAL

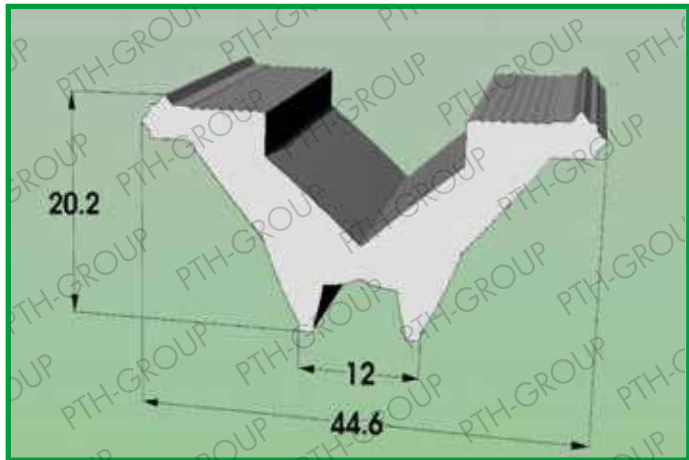


Profile 1010.181

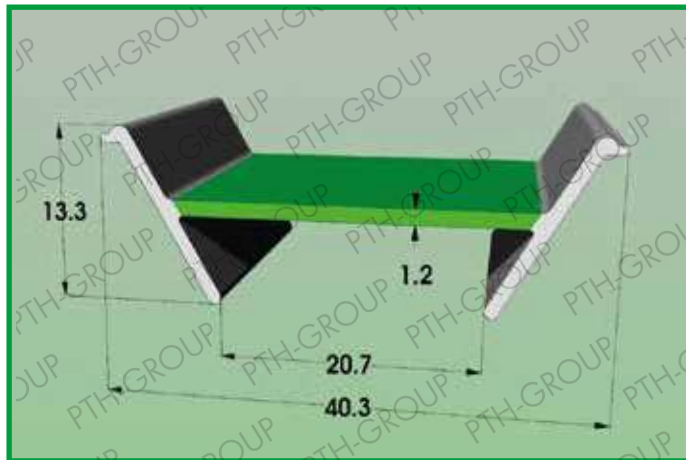
Material: PMMA SATIN



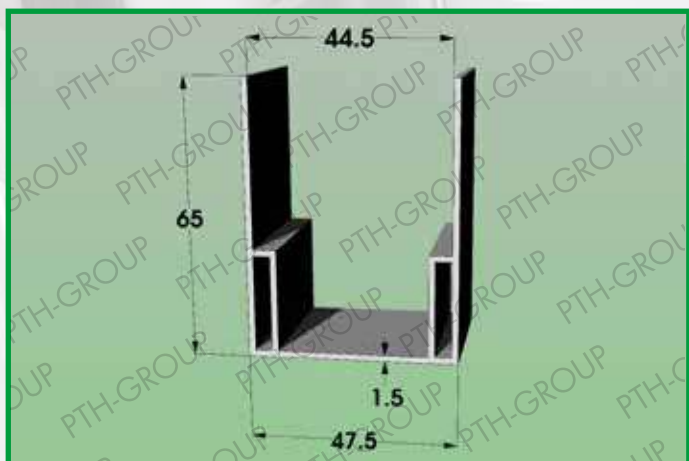
Profile 1010.182
Material: PMMA SATIN



Profile 1010.430
Material: POLYCARBONATE CLEAR / OPAL

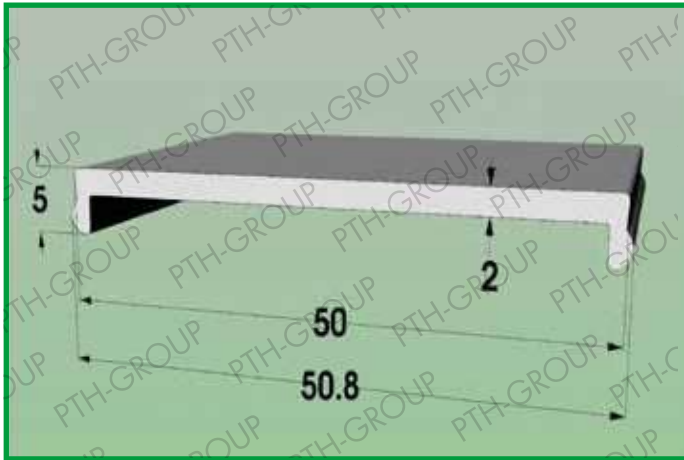


Profile 1010.134
Material: POLYCARBONATE CLEAR / OPAL



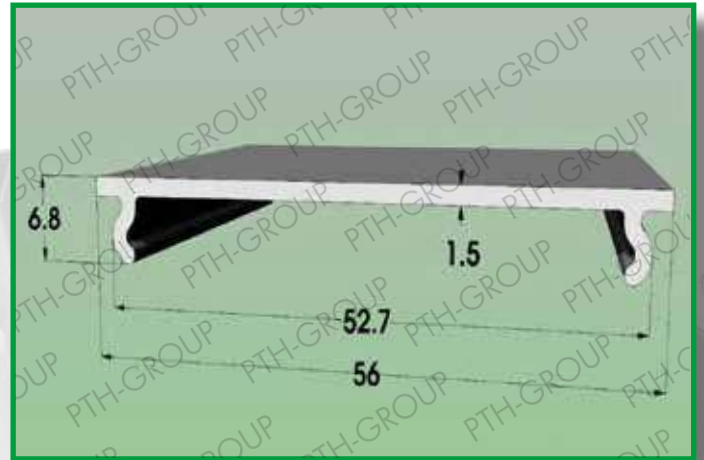
Profile 1010.297

**Material: POLYCARBONATE CLEAR / OPAL
PMMA CLEAR / SATIN**



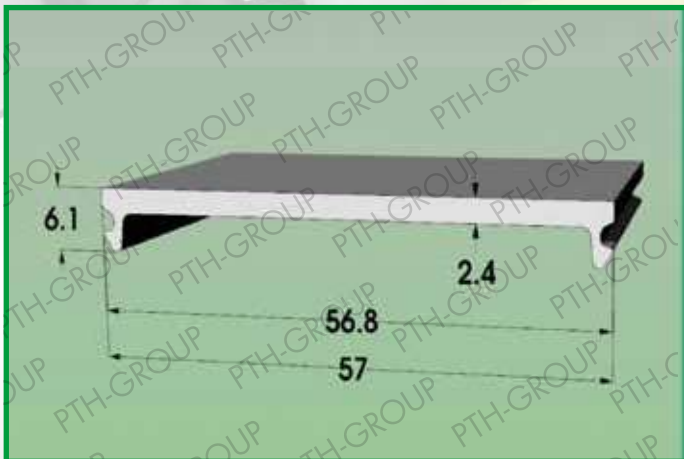
Profile 1010.419

**Material: POLYCARBONATE CLEAR / OPAL
PMMA CLEAR / SATIN**



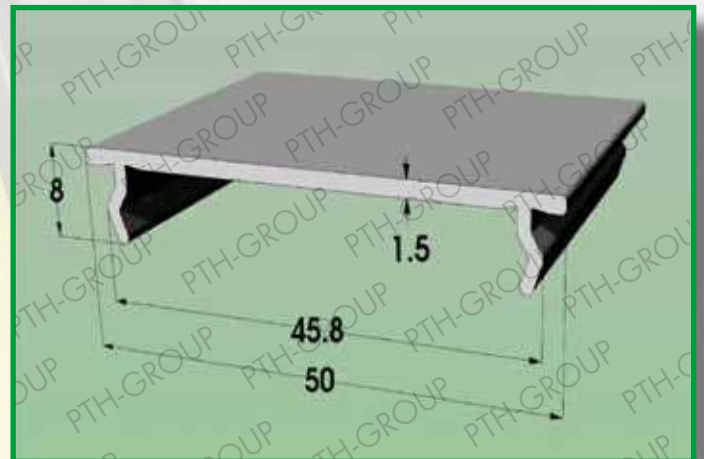
Profile 1010.147

**Material: POLYCARBONATE CLEAR / OPAL / SATIN SBB
PMMA CLEAR / SATIN**



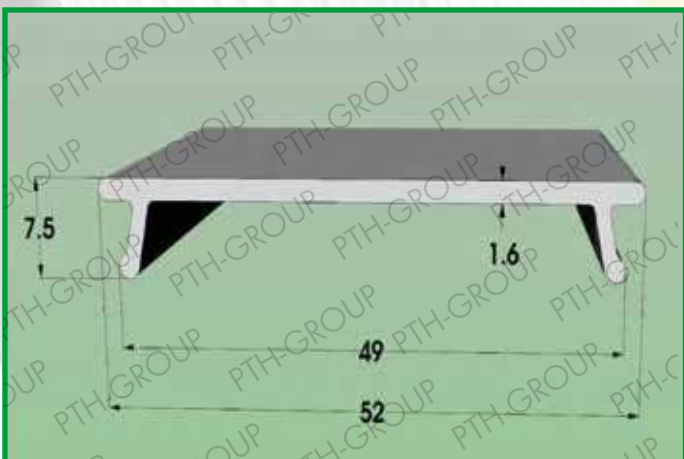
Profile 1010.321

Material: POLYCARBONATE CLEAR / OPAL / SATIN SBB



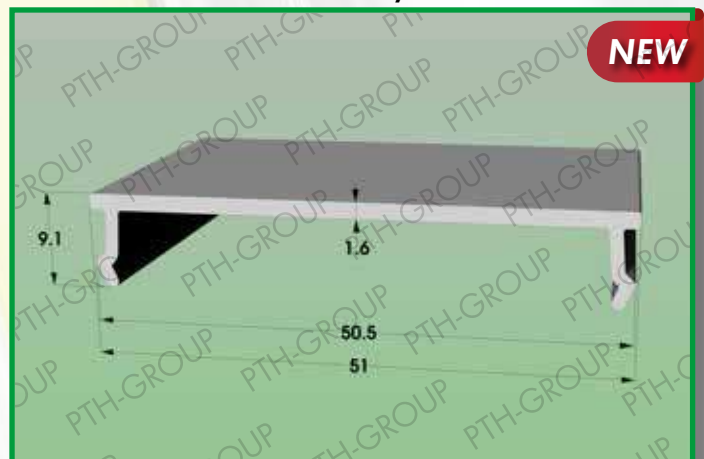
Profile 1010.242

Material: POLYCARBONATE CLEAR / OPAL / SATIN SBB



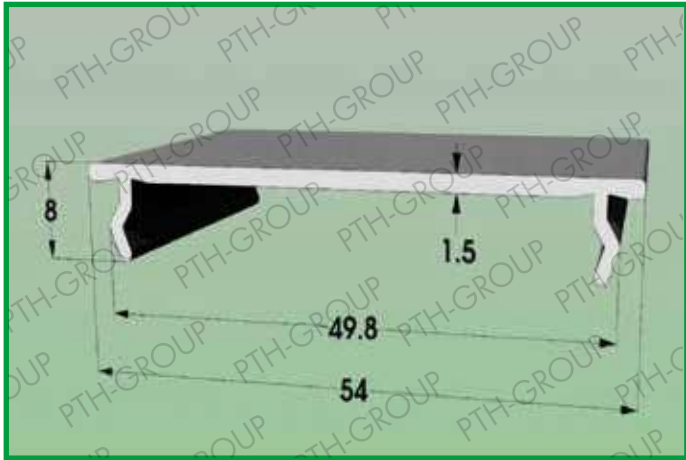
Profile 1010.484

**Material: POLYCARBONATE CLEAR / OPAL / SATIN SBB
PMMA CLEAR / SATIN**



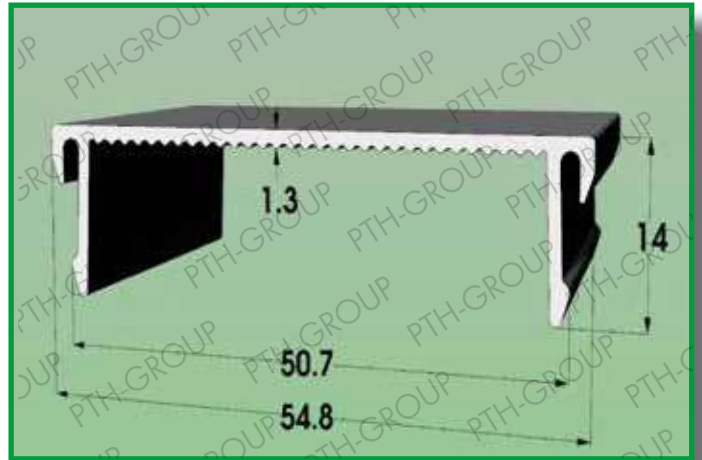
Profile 1010.174

**Material: POLYCARBONATE CLEAR / OPAL
PMMA CLEAR / SATIN**



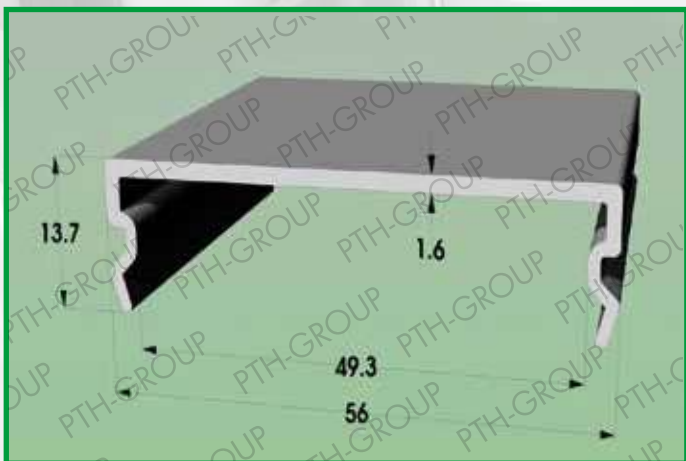
Profile 1010.323

Material: PMMA CLEAR / SATIN



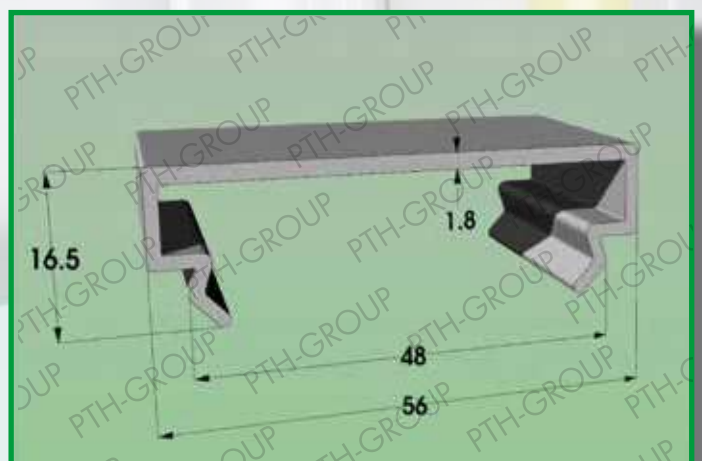
Profile 1010.445

Material: POLYCARBONATE CLEAR / OPAL



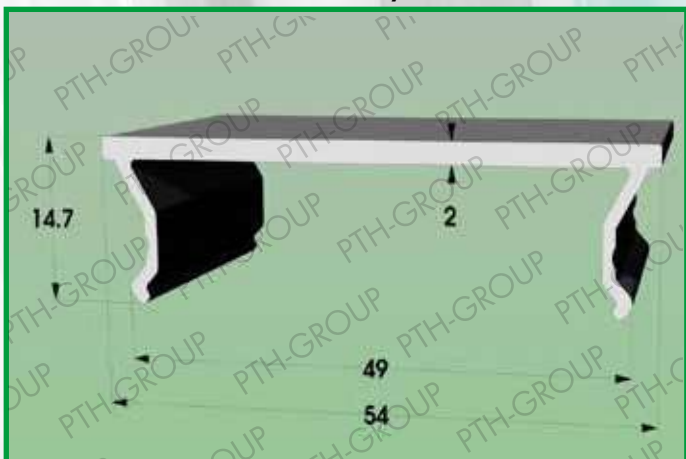
Profile 1010.102

Material: POLYCARBONATE CLEAR / OPAL



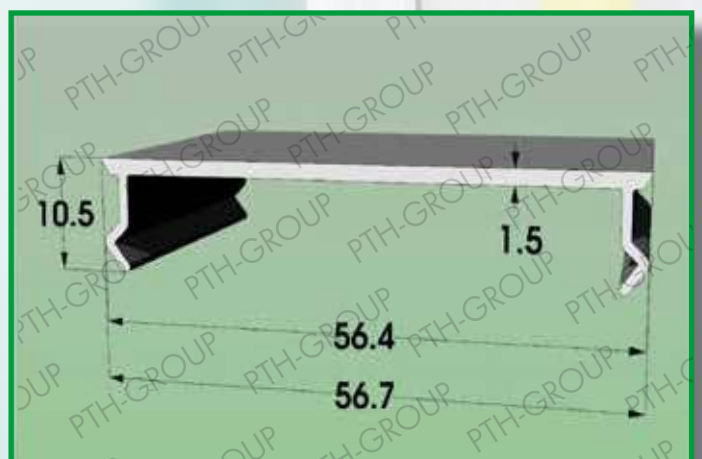
Profile 1010.448

**Material: POLYCARBONATE CLEAR / OPAL
PMMA CLEAR / SATIN**



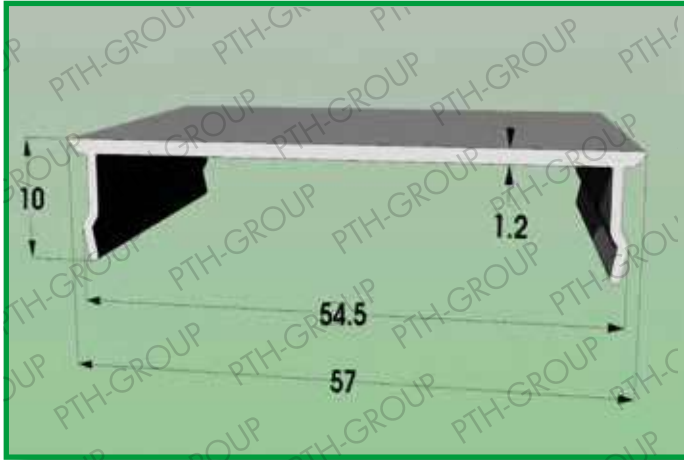
Profile 1010.301

Material: PMMA CLEAR / SATIN



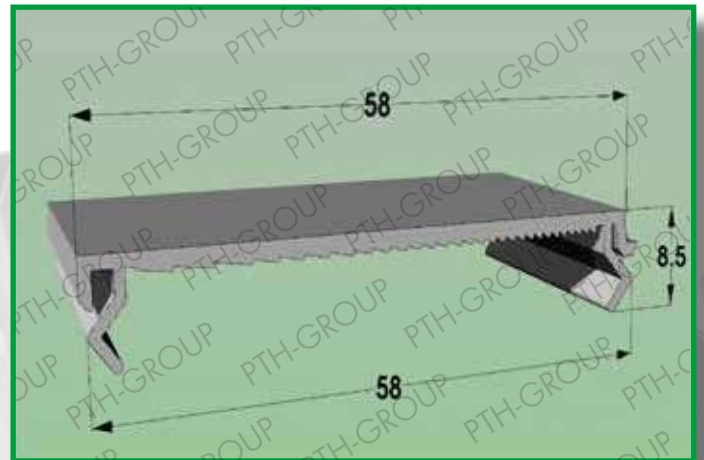
Profile 1010.185

**Material: POLYCARBONATE CLEAR / OPAL
PMMA CLEAR / SATIN**



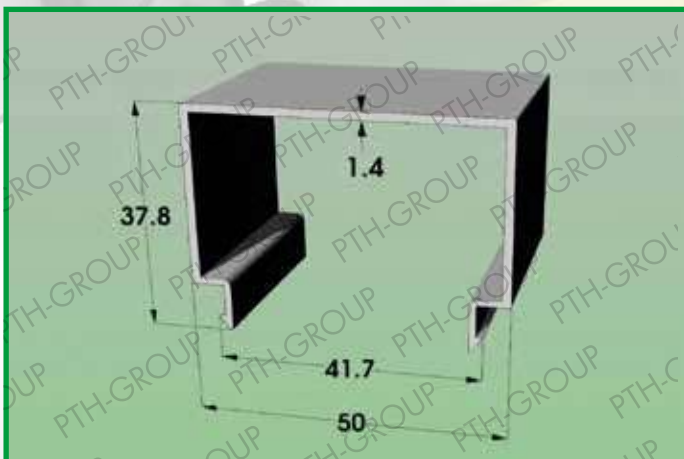
Profile 1010.08

Material: POLYCARBONATE CLEAR / OPAL



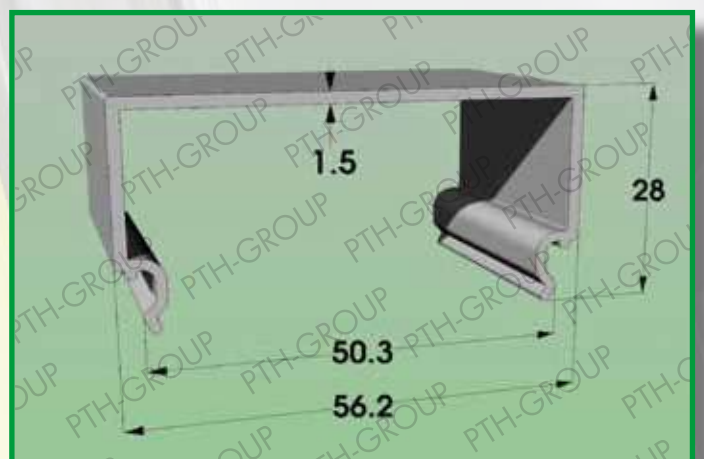
Profile 1010.359

Material: POLYCARBONATE CLEAR / OPAL / SATIN SBB

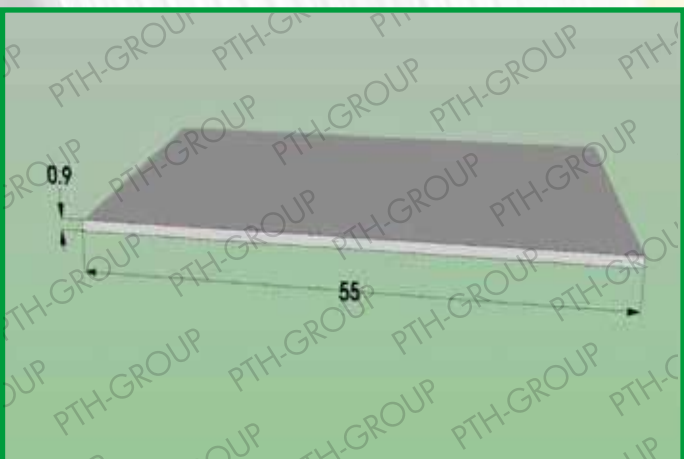


Profile 1010.375

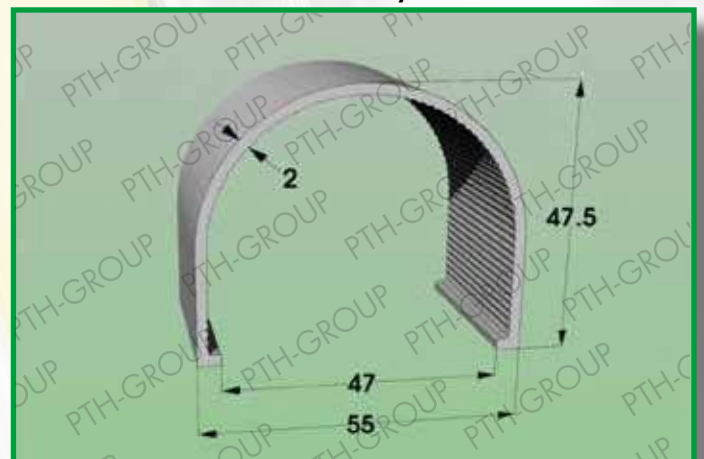
Material: PMMA CLEAR / SATIN



Profile 1010.66
Material: PMMA SATIN

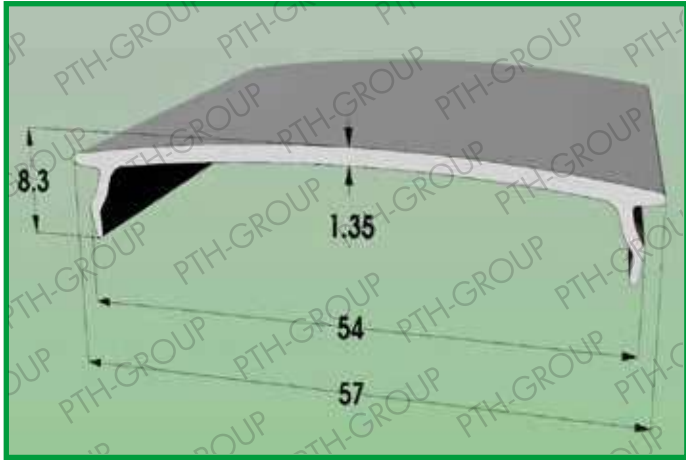


Profile 1010.360
**Material: POLYCARBONATE CLEAR / OPAL
PMMA CLEAR / SATIN**



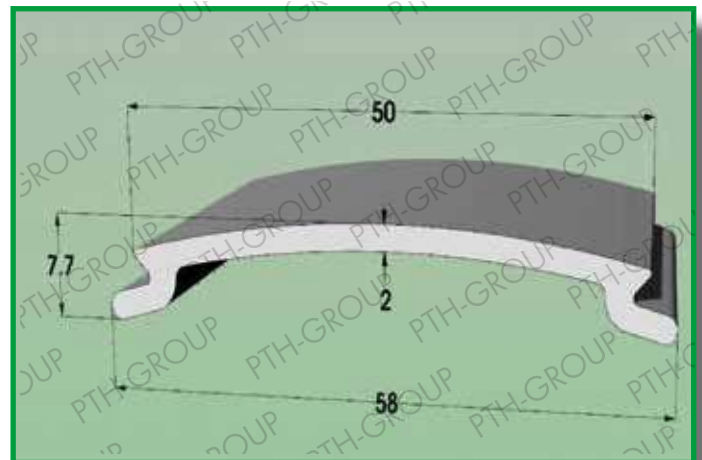
Profile 1010.386

**Material: POLYCARBONATE CLEAR / OPAL
PMMA CLEAR / SATIN**



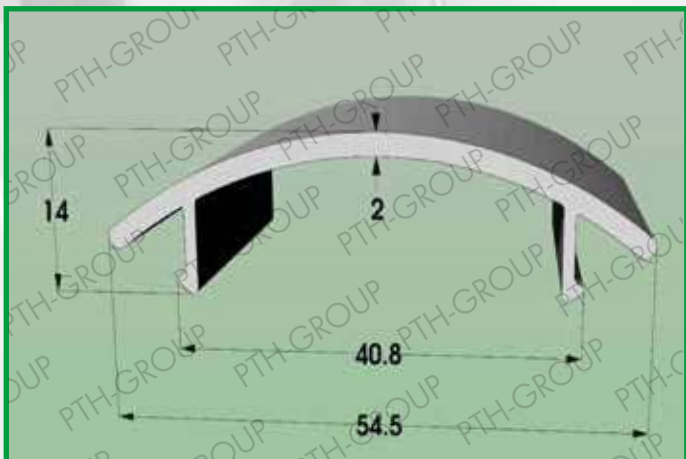
Profile 1010.03

**Material: POLYCARBONATE CLEAR / OPAL
PMMA SATIN**



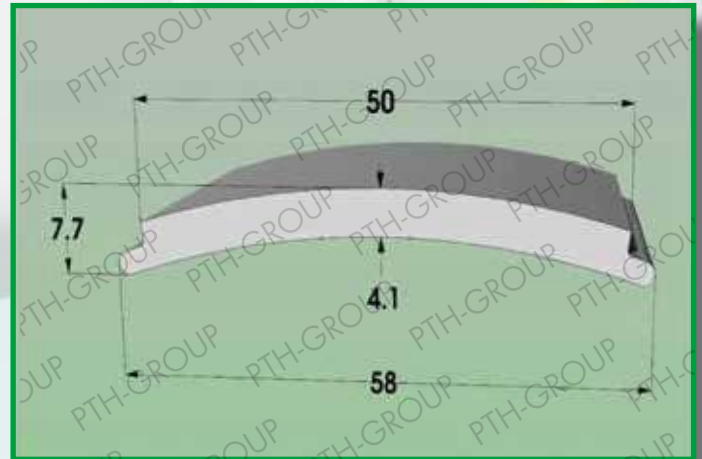
Profile 1010.253

Material: PMMA CLEAR / SATIN



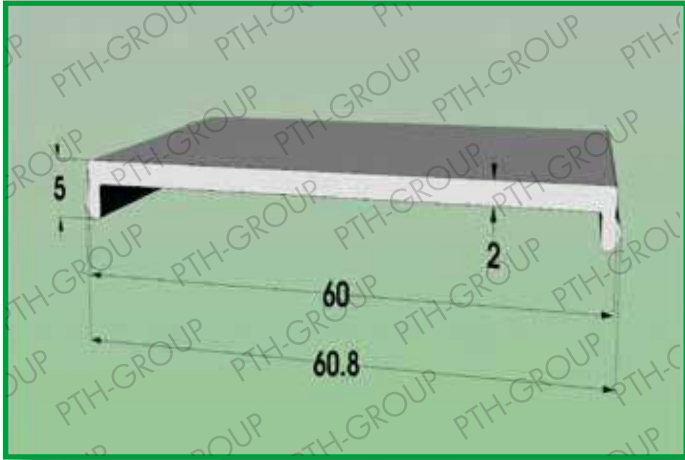
Profile 1010.04

**Material: POLYCARBONATE CLEAR / OPAL
PMMA SATIN**



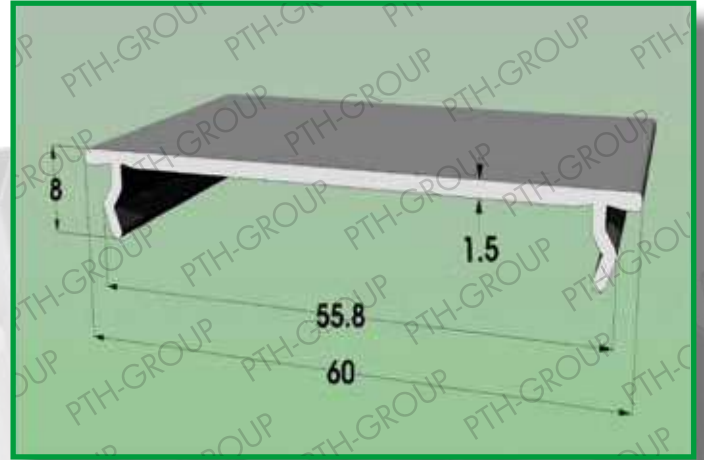
Profile 1010.298

**Material: POLYCARBONATE CLEAR / OPAL
PMMA SATIN**



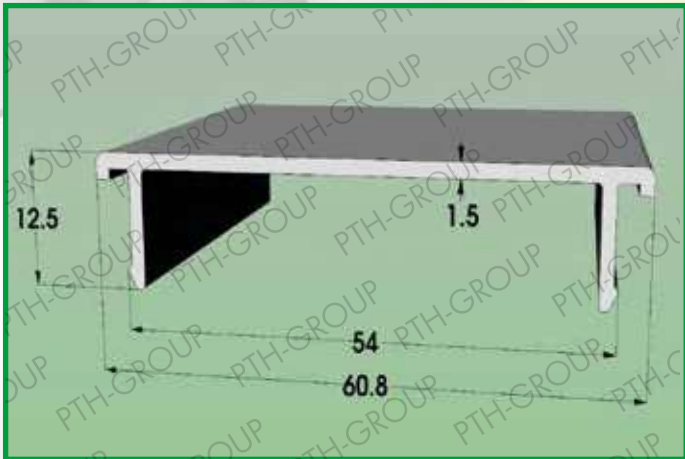
Profile 1010.322

**Material: POLYCARBONATE CLEAR / OPAL / SATIN SBB
PMMA SATIN**



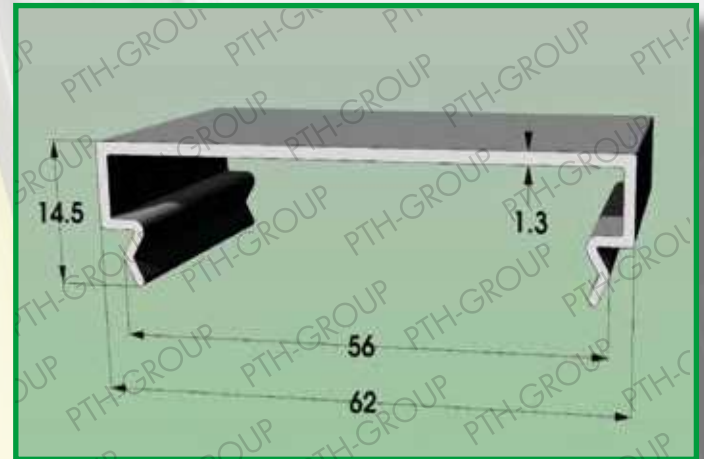
Profile 1010.407

**Material: POLYCARBONATE CLEAR / OPAL
PMMA CLEAR / SATIN**



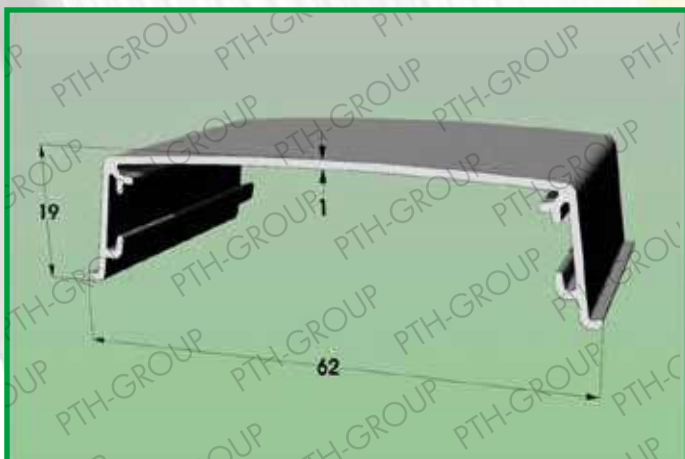
Profile 1010.196

**Material: POLYCARBONATE CLEAR / OPAL / SATIN SBB
PMMA CLEAR / SATIN**



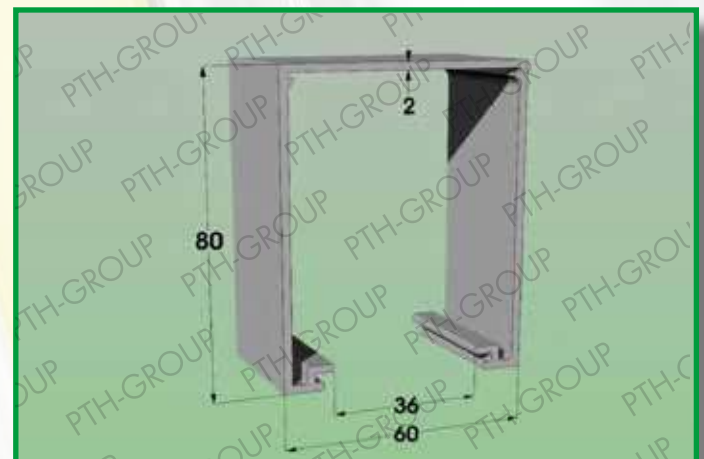
Profile 1010.30

Material: POLYCARBONATE CLEAR / OPAL

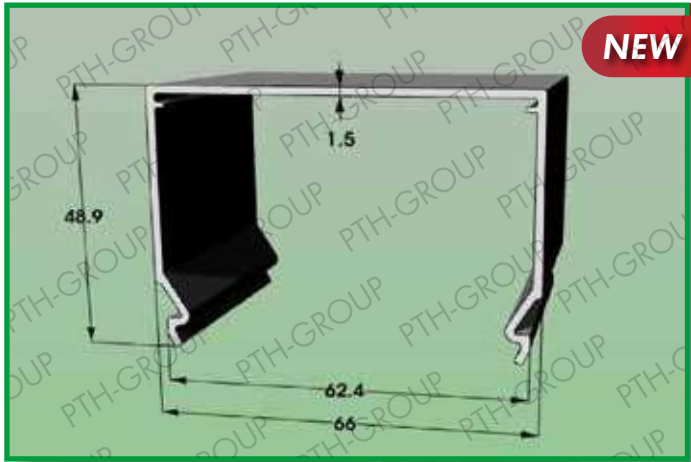


Profile 1010.87

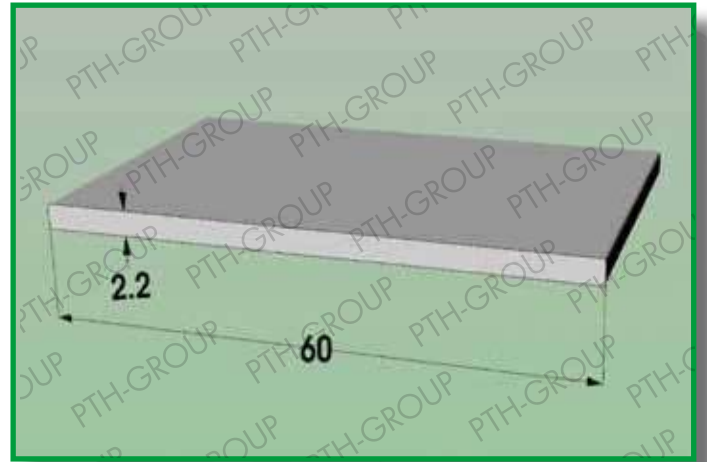
Material: PMMA SATIN



Profile 1010.486
Material: PMMA SATIN



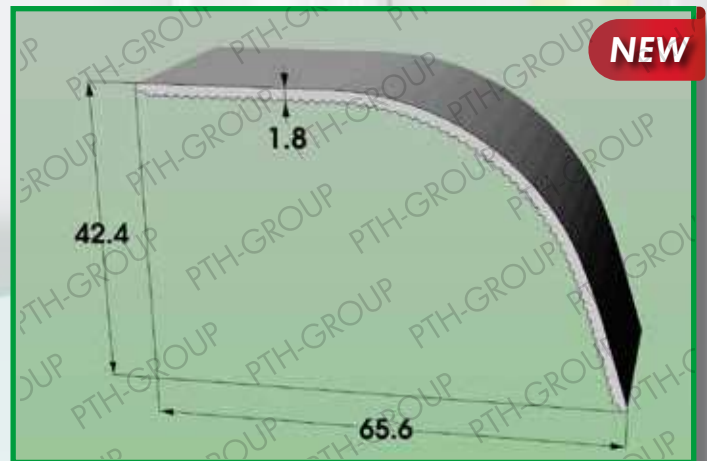
Profile 1010.331
Material: POLYCARBONATE CLEAR / OPAL



Profile 1010.68
Material: POLYCARBONATE CLEAR / OPAL



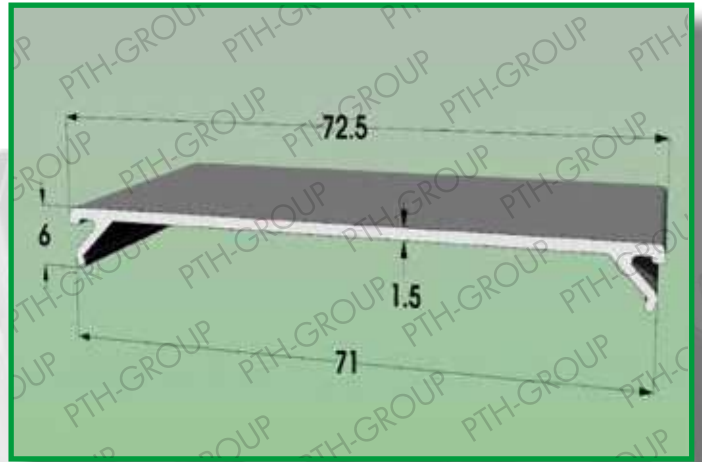
Profile 1010.460
Material: POLYCARBONATE CLEAR / OPAL
PMMA SATIN



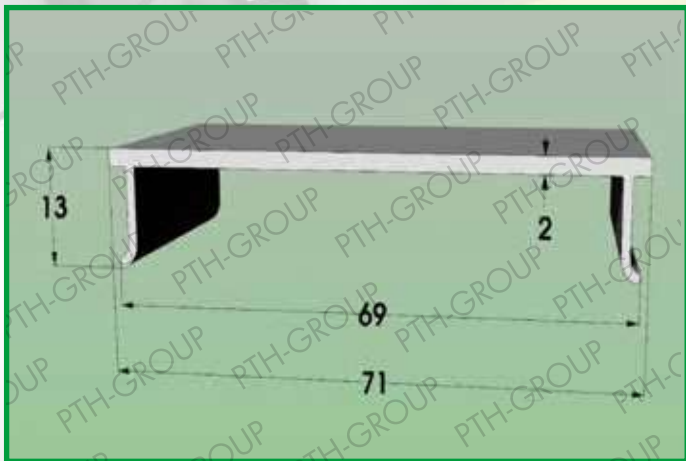
Profile 1010.277
Material: PMMA CLEAR / SATIN



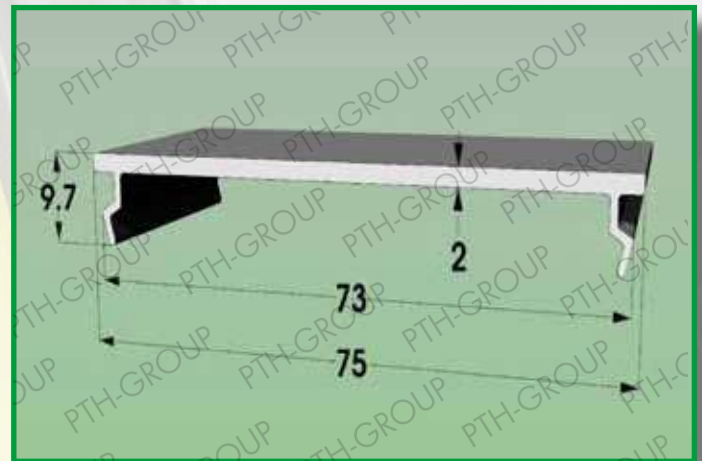
Profile 1010.27
Material: POLYCARBONATE CLEAR / OPAL / SATIN SBB



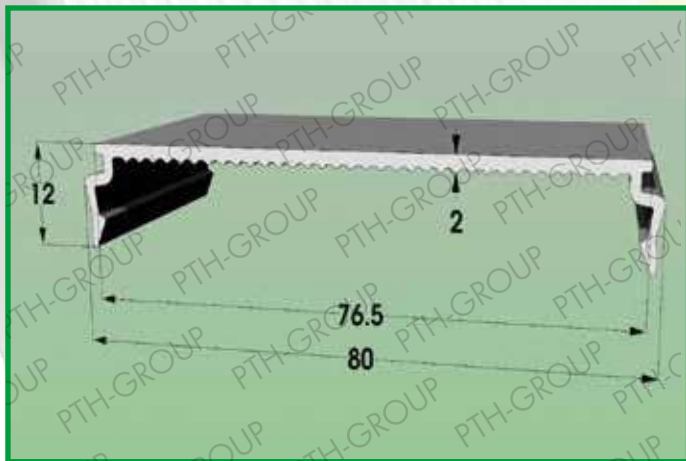
Profile 1010.243
Material: POLYCARBONATE CLEAR / OPAL / SATIN SBB



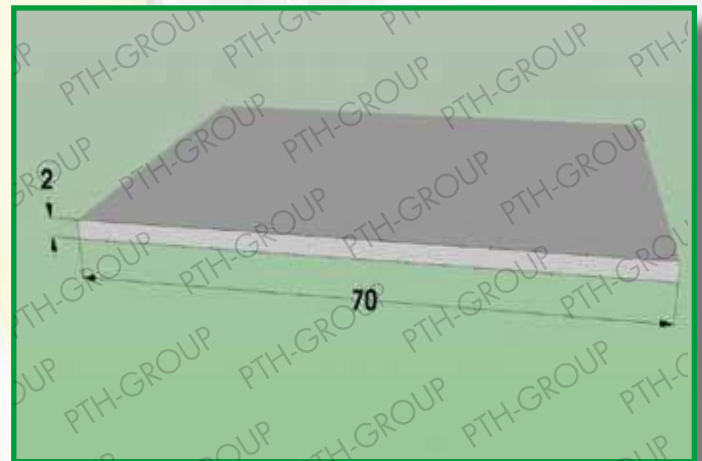
Profile 1010.361
Material: POLYCARBONATE CLEAR / OPAL / SATIN SBB



Profile 1010.210
Material: POLYCARBONATE CLEAR / OPAL

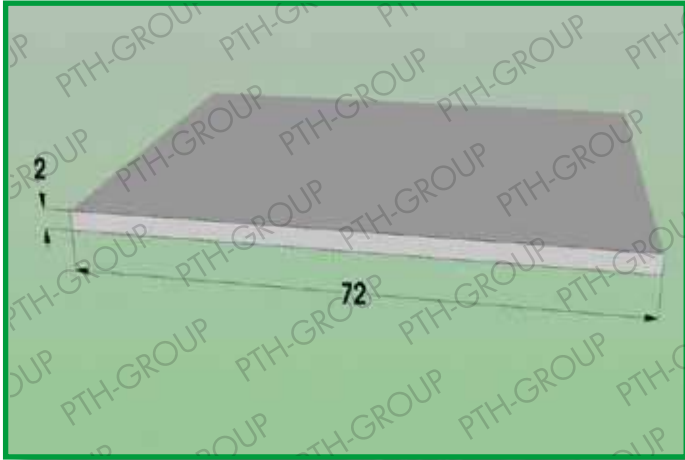


Profile 1010.383
Material: POLYCARBONATE CLEAR / OPAL



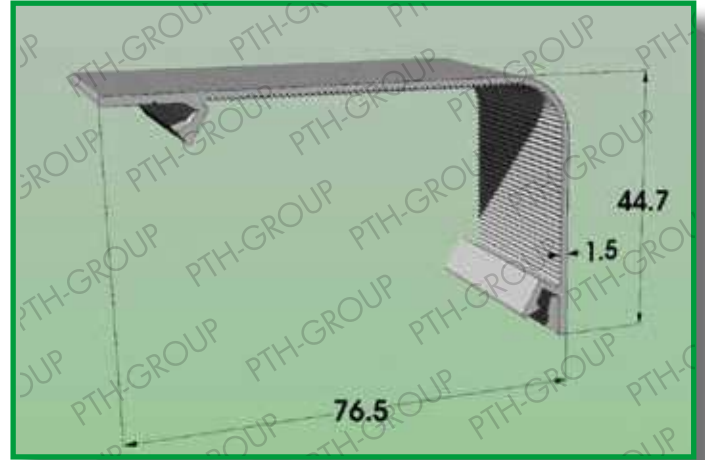
Profile 1010.384

Material: POLYCARBONATE CLEAR / OPAL



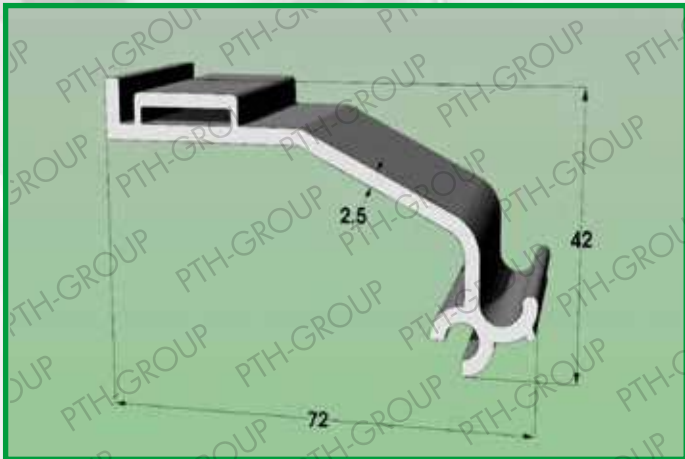
Profile 1010.160

Material : POLYCARBONATE CLEAR / OPAL



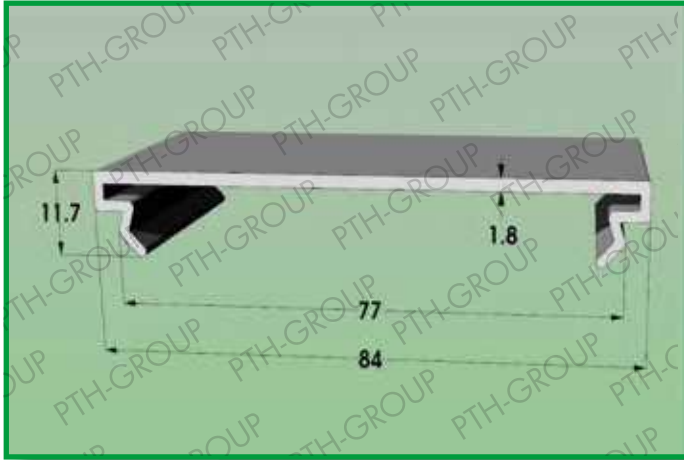
Profile 1010.129

Material: POLYCARBONATE CLEAR / OPAL



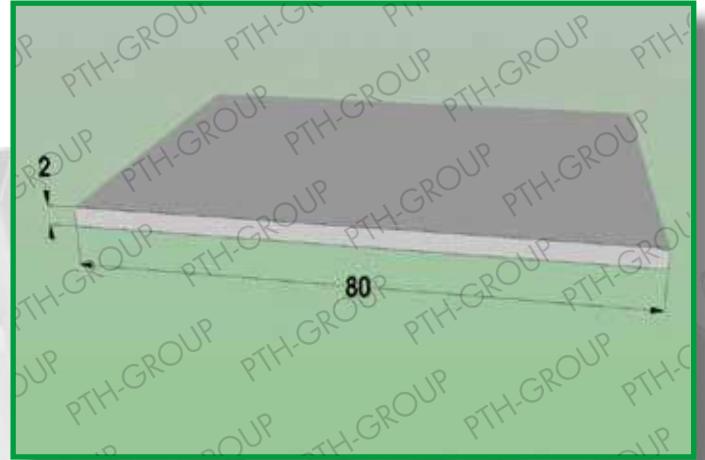
Profile 1010.103

Material: POLYCARBONATE CLEAR / OPAL



Profile 1010.385

Material: POLYCARBONATE CLEAR / OPAL



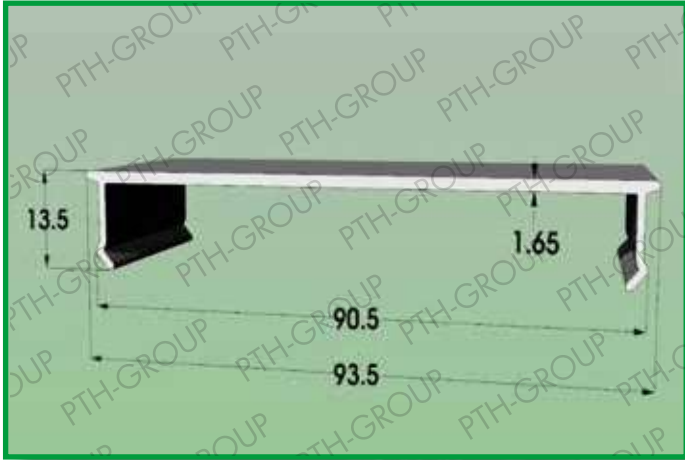
Profile 1010.31

Material: PMMA SATIN



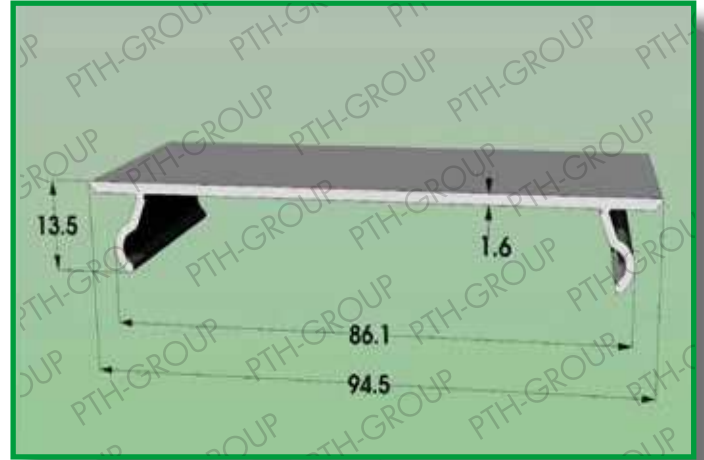
Profile 1010.240

Material: POLYCARBONATE CLEAR / OPAL / SATIN SBB
PMMA CLEAR / SATIN



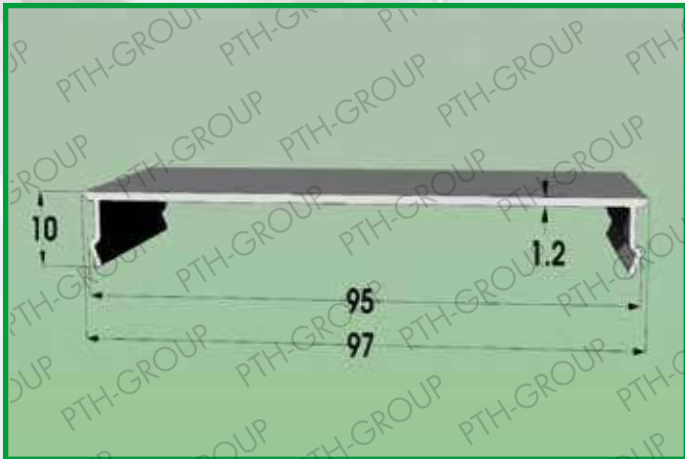
Profile 1010.61

Material: POLYCARBONATE CLEAR / OPAL / SATIN SBB
PMMA SATIN



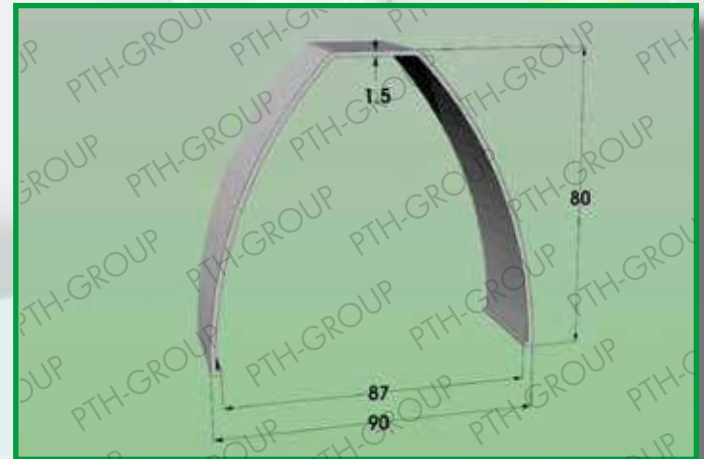
Profile 1010.212

Material: POLYCARBONATE CLEAR / OPAL / SATIN SBB
PMMA CLEAR / SATIN



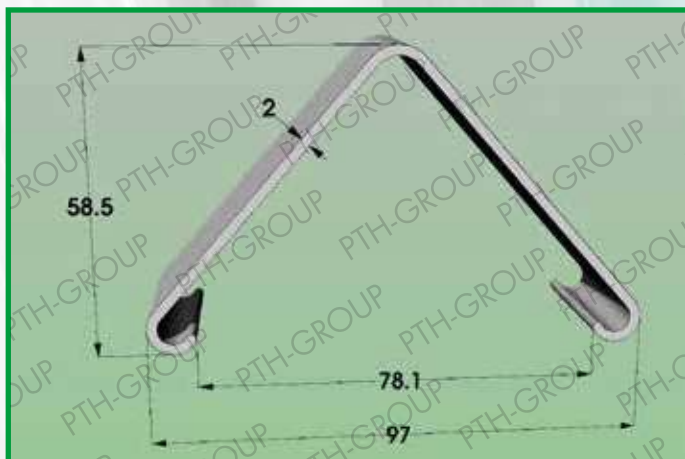
Profile 1010.15

Material: POLYCARBONATE CLEAR / OPAL



Profile 1010.71

Material: POLYCARBONATE CLEAR / OPAL

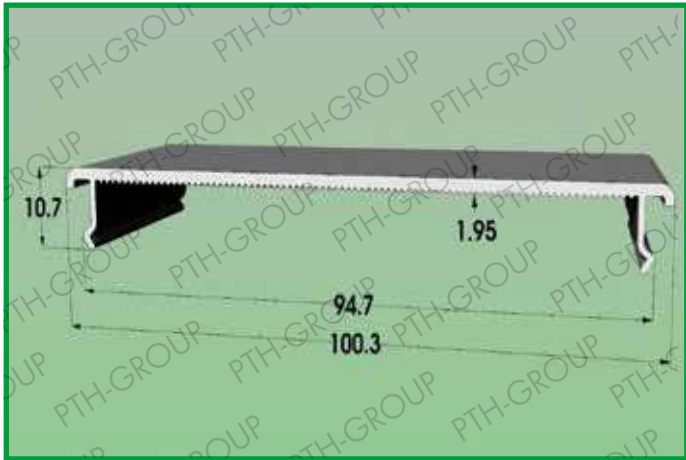






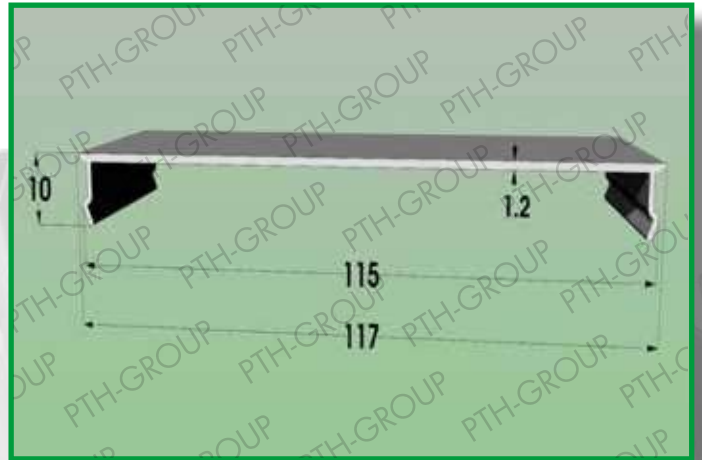
Profile 1010.431

Material: POLYCARBONATE CLEAR / OPAL
PMMA CLEAR / SATIN



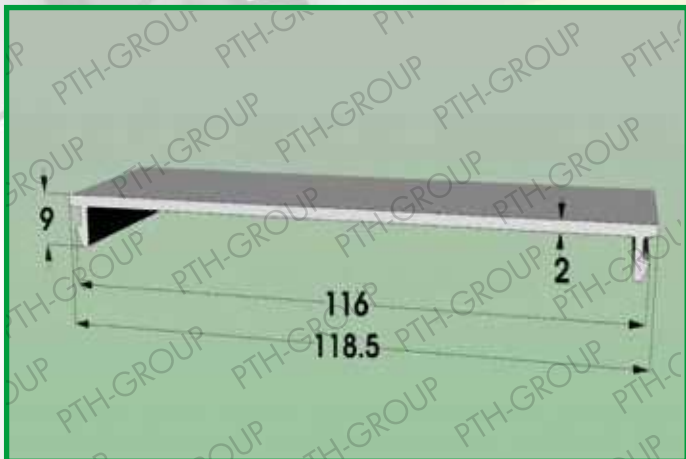
Profile 1010.238

Material: PMMA CLEAR / SATIN
PMMA CLEAR / SATIN



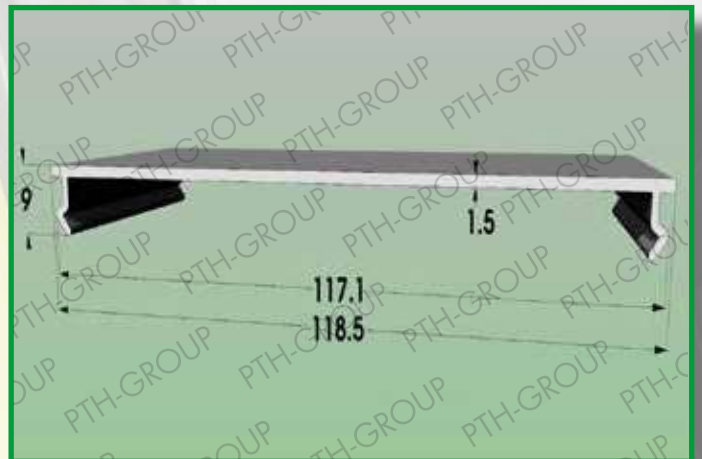
Profile 1010.39

Material: PMMA CLEAR / SATIN
PMMA CLEAR / SATIN



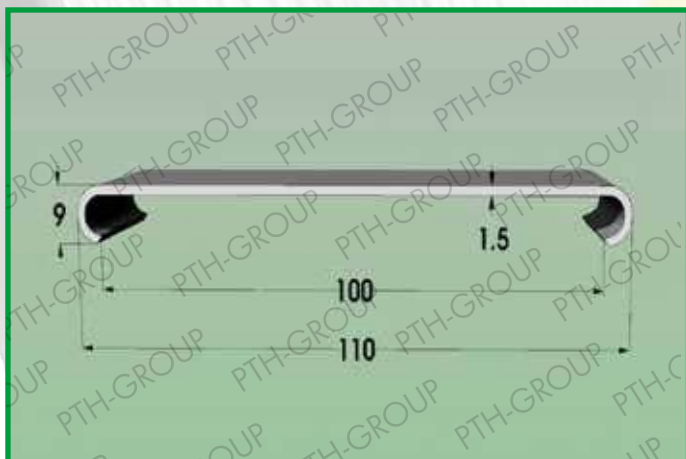
Profile 1010.417

Material: POLYCARBONATE CLEAR / OPAL
PMMA CLEAR / SATIN



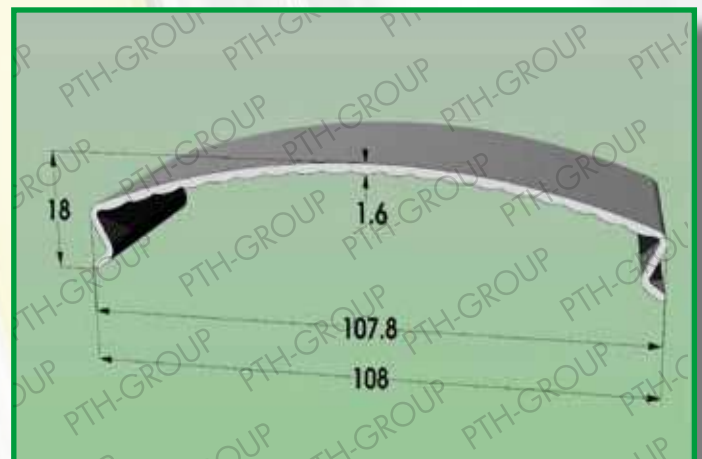
Profile 1010.292

Material: POLYCARBONATE CLEAR / OPAL



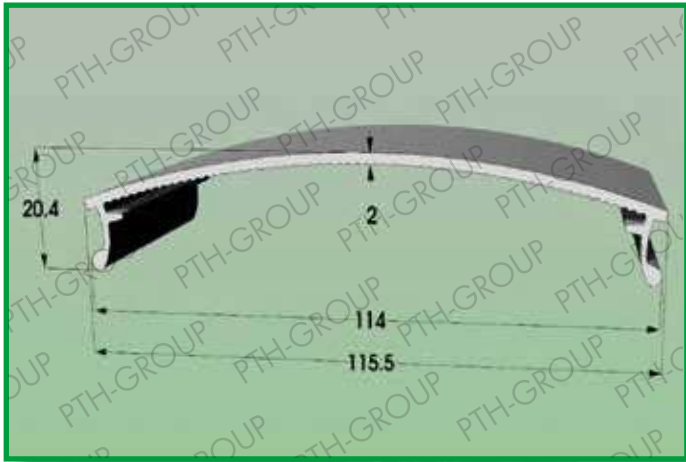
Profile 1010.49

Material: POLYCARBONATE CLEAR / OPAL



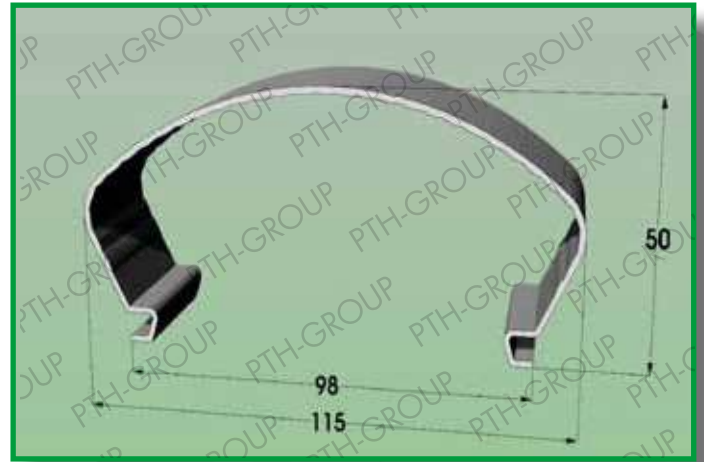
Profile 1010.396

Material: POLYCARBONATE CLEAR / OPAL
PMMA CLEAR / SATIN

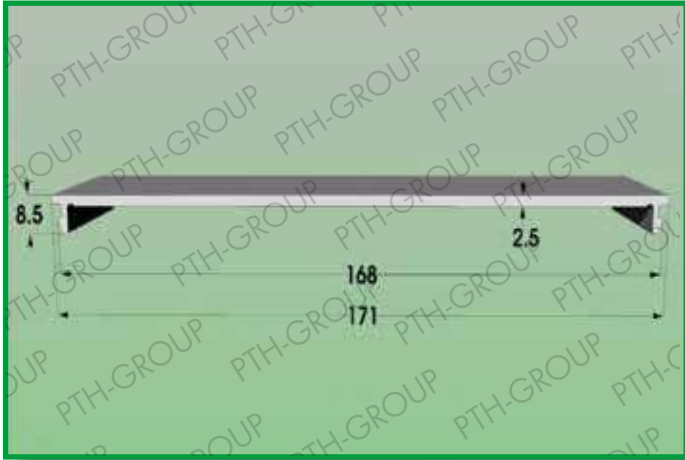


Profile 1010.10

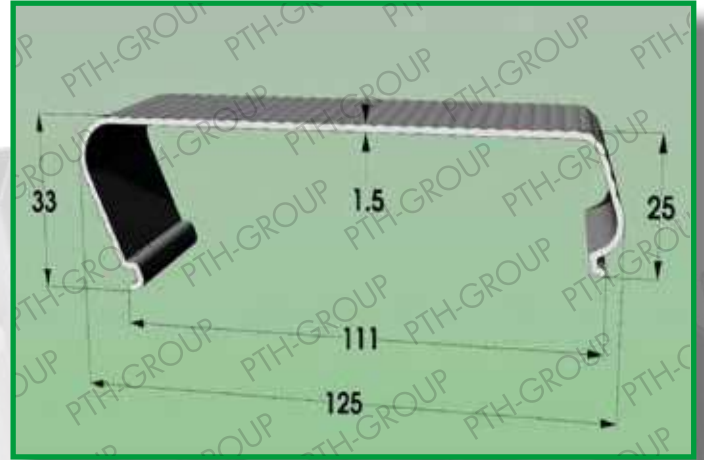
Material: POLYCARBONATE CLEAR / OPAL



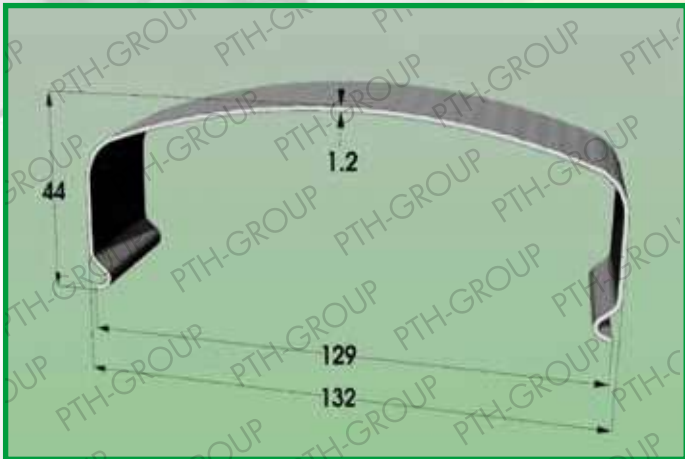
Profile 1010.38
Material: PMMA SATIN



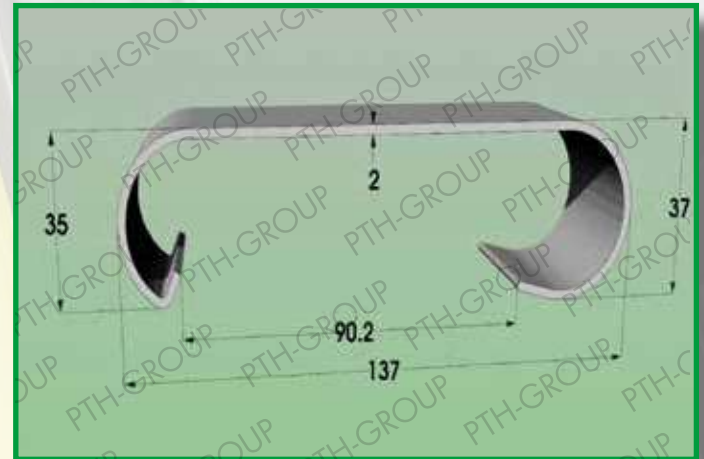
Profile 1010.36
Material: POLYCARBONATE CLEAR / OPAL



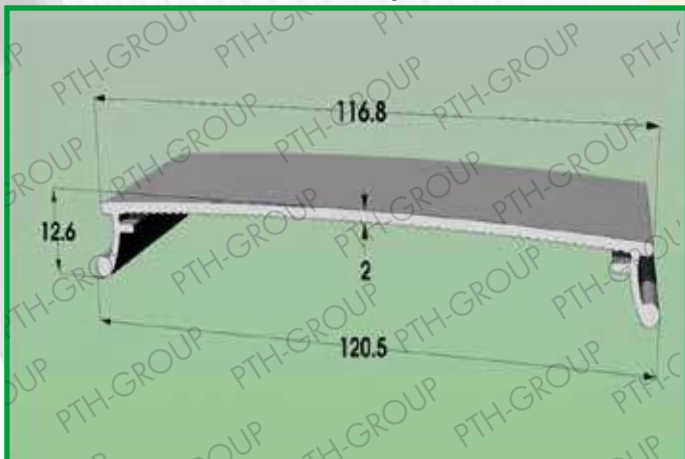
Profile 1010.308
Material: POLYCARBONATE CLEAR / OPAL



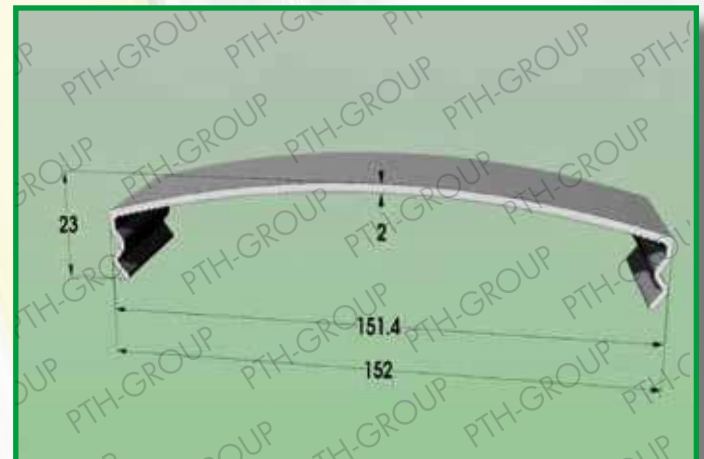
Profile 1010.109
Material: POLYCARBONATE CLEAR / OPAL



Profile 1010.77
Material: POLYCARBONATE CLEAR / OPAL
PMMA CLEAR / SATIN

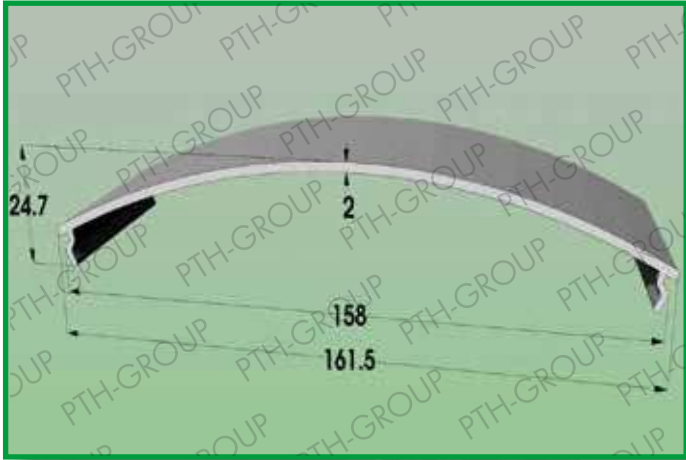


Profile 1010.78
Material: POLYCARBONATE CLEAR / OPAL



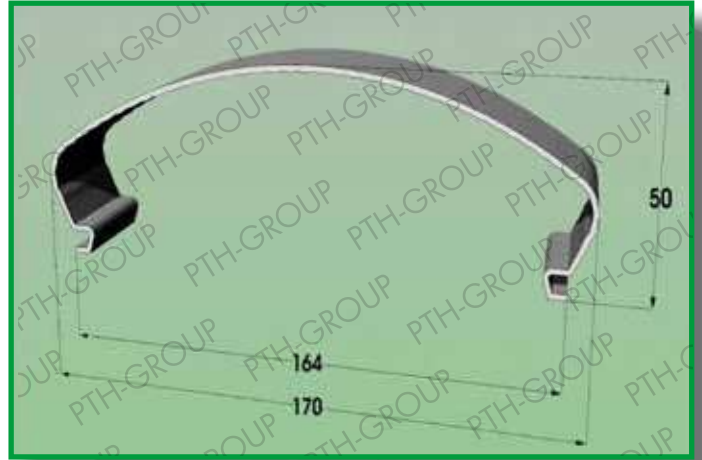
Profile 1010.387

**Material: POLYCARBONATE CLEAR / OPAL
PMMA CLEAR / SATIN**



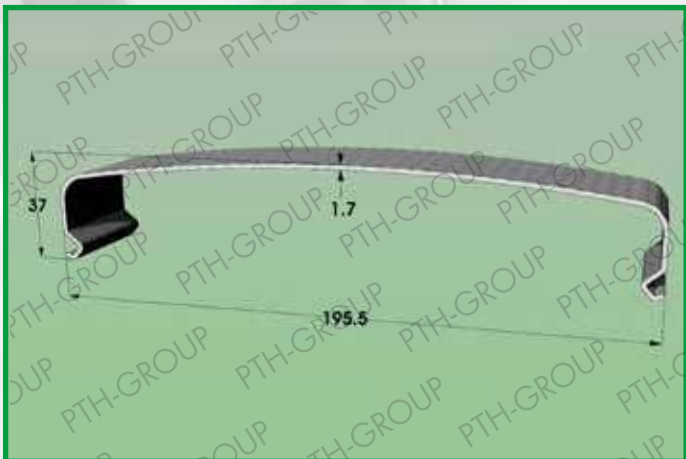
Profile 1010.09

Material: POLYCARBONATE CLEAR / OPAL



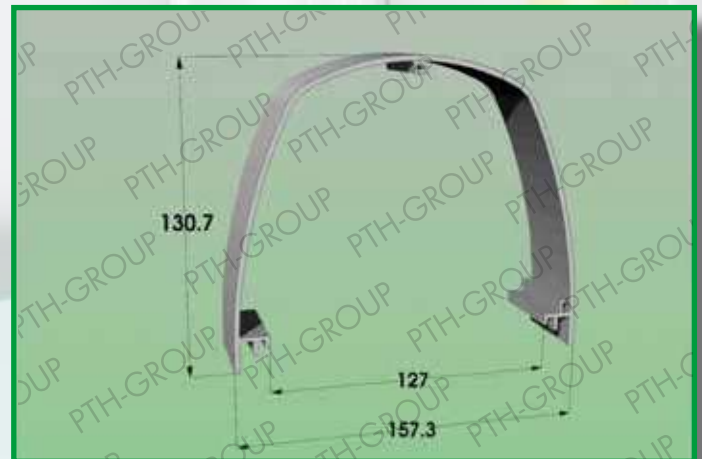
Profile 1010.309

Material: POLYCARBONATE CLEAR / OPAL



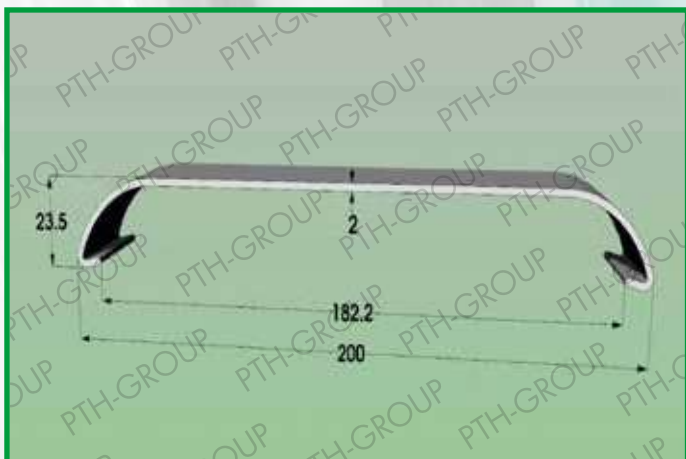
Profile 1010.74

Material: POLYCARBONATE CLEAR / OPAL



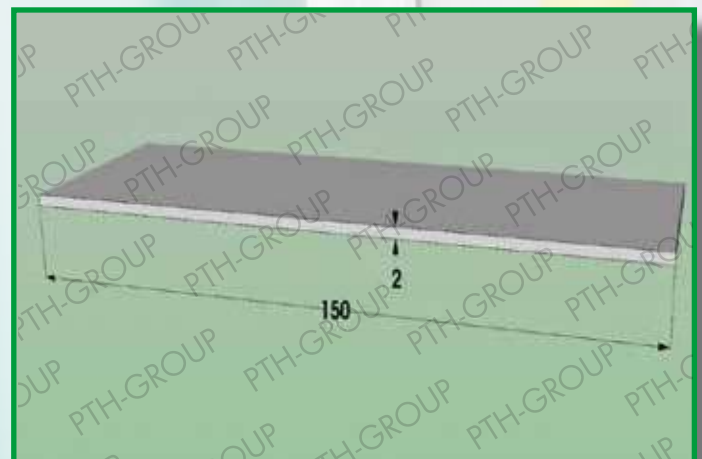
Profile 1010.70

Material: POLYCARBONATE CLEAR / OPAL



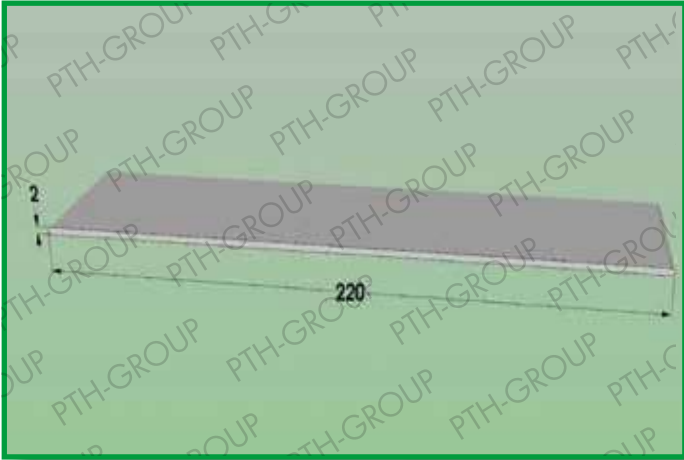
Profile 1010.395

Material: POLYCARBONATE CLEAR / OPAL



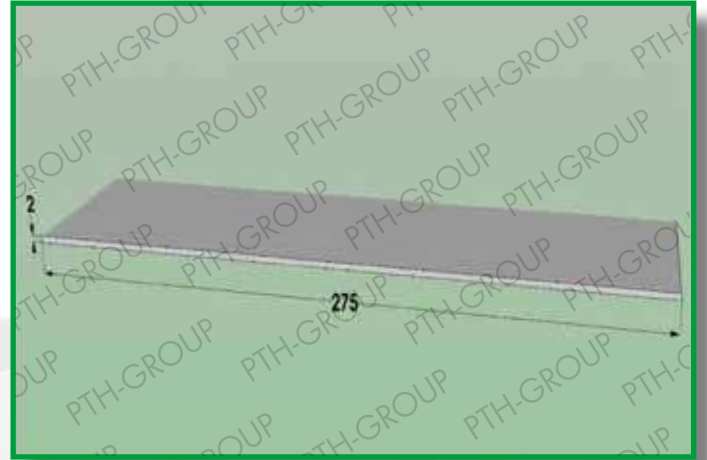
Profile 1010.73

Material: POLYCARBONATE CLEAR / OPAL



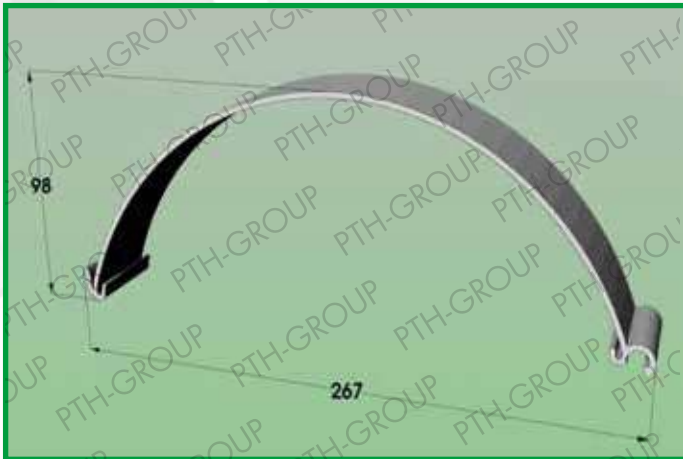
Profile 1010.72

Material: POLYCARBONATE CLEAR / OPAL



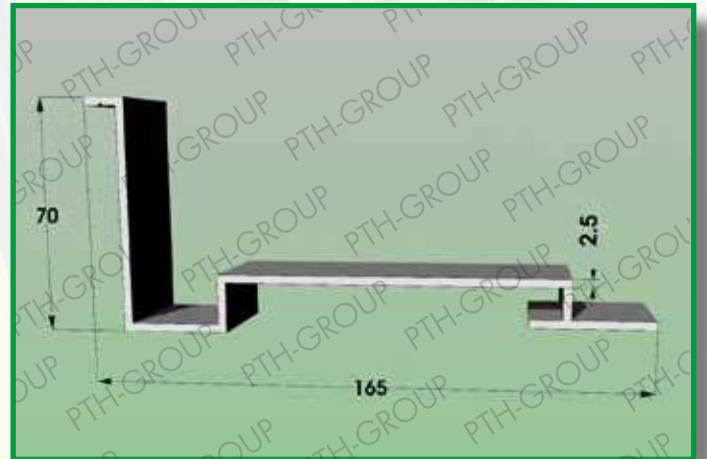
Profile 1010.75

Material: POLYCARBONATE CLEAR / OPAL



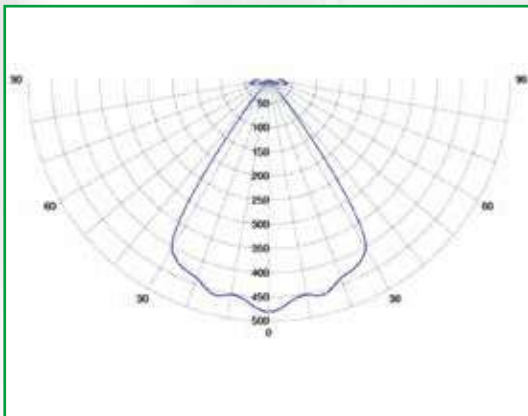
Profile 1010.28

Material: POLYCARBONATE CLEAR / OPAL



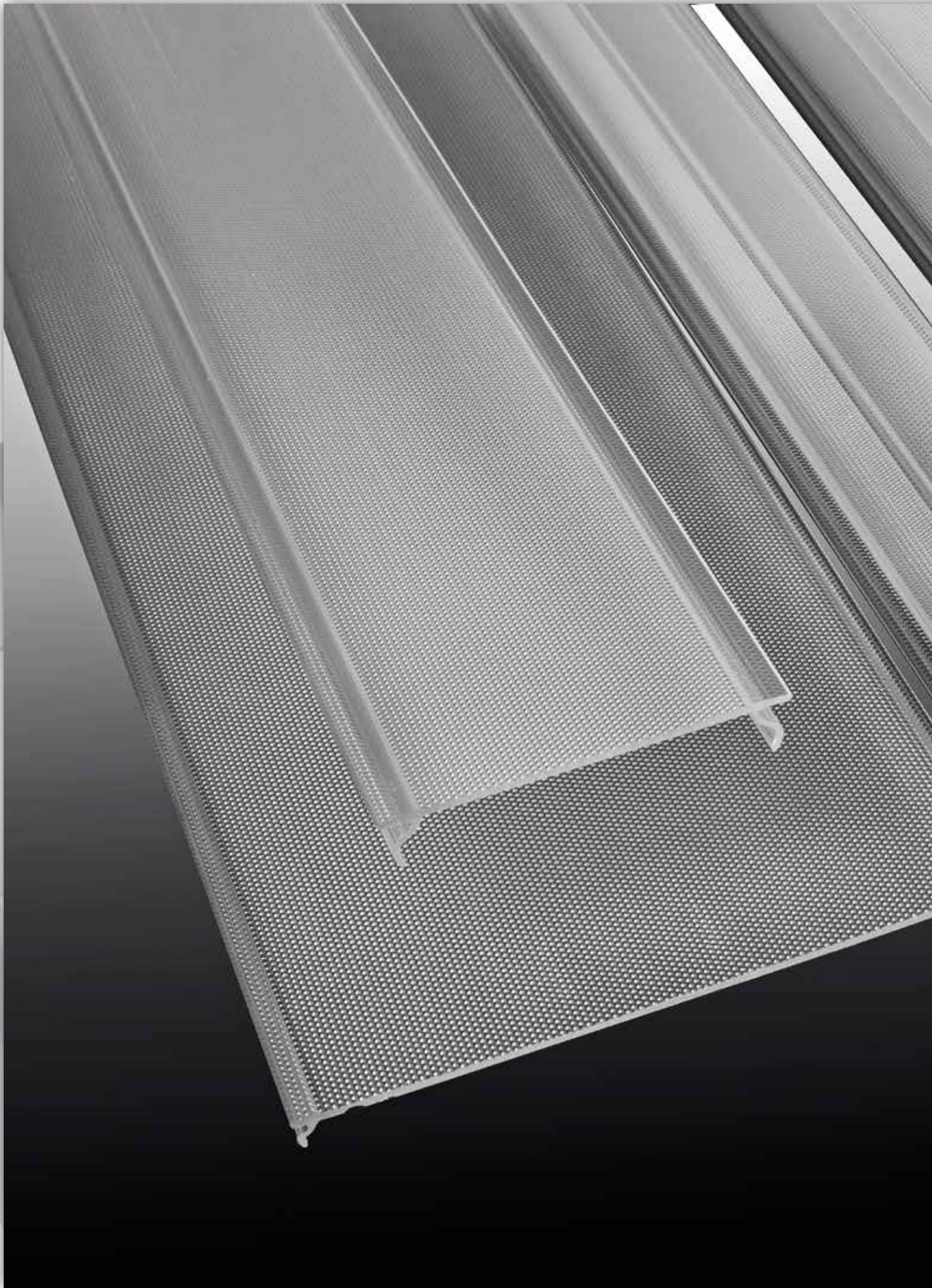
MICRO PRISMATIC STRUCTURE PROFILES

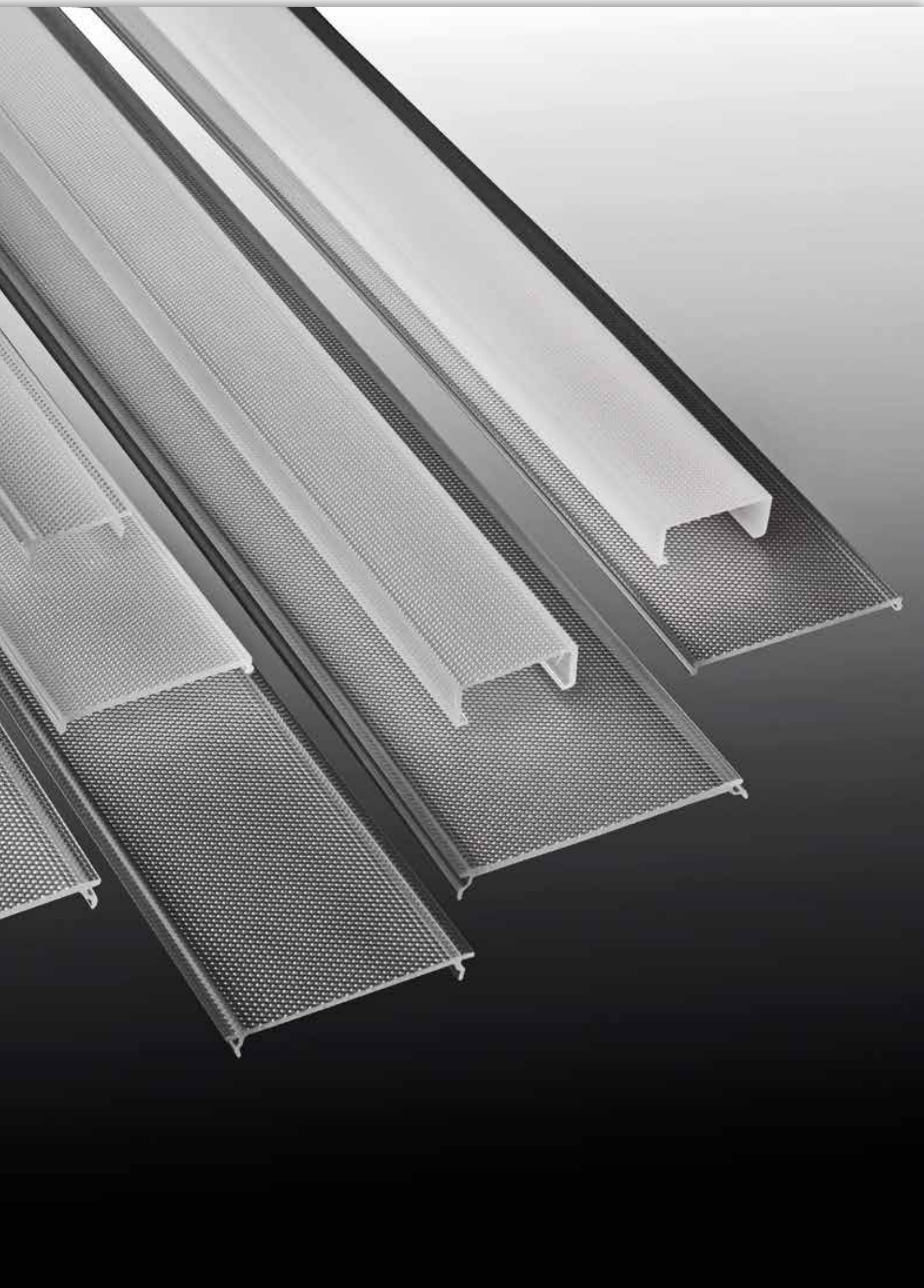
PTH is specialized in the extrusion of lighting profiles in new Micro Prism Structure. Micro prismatic profiles and diffusers are available in Polycarbonate and PMMA material.



TECHNICAL FEATURES:

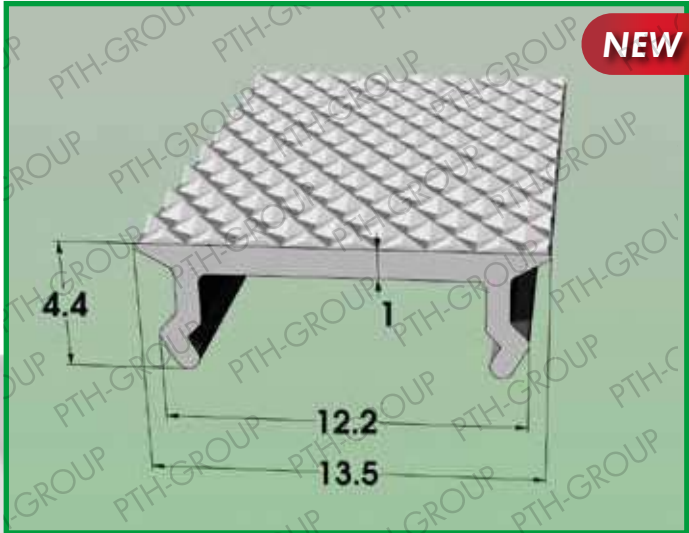
- **Excellent light-brilliance**
- **High Lighting Transmission**
- **Light source not visible**
- **Modern design**
- **Can be used for work stations**



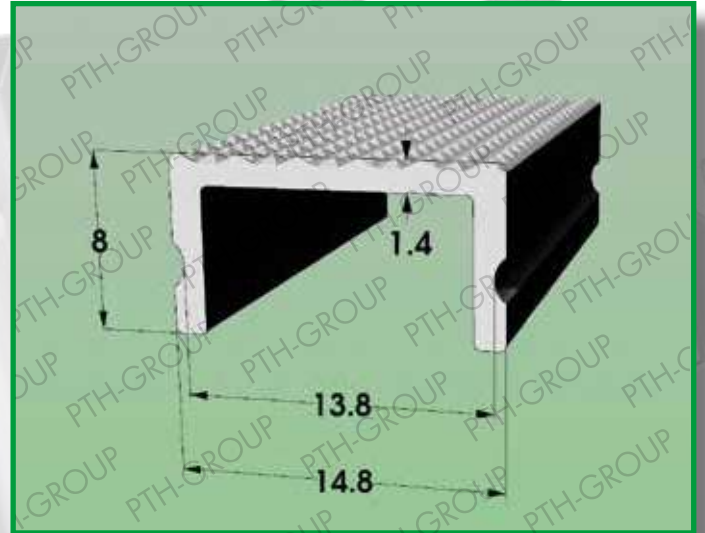


MICRO PRISMATIC PROFILES

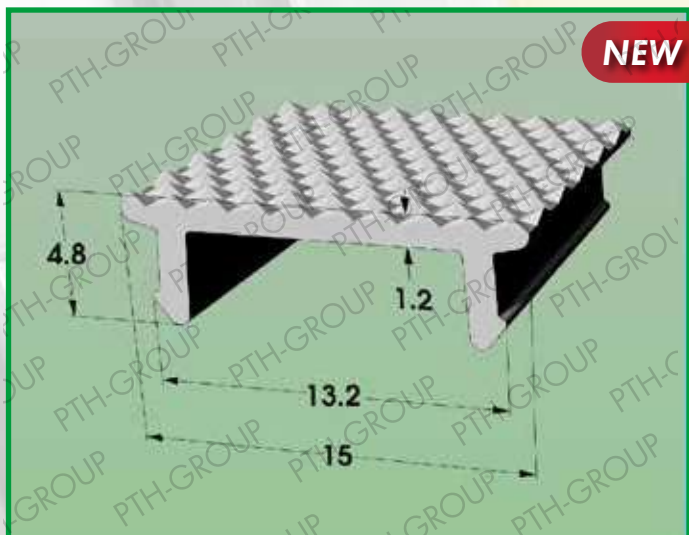
Profile 1010.457
Material: POLYCARBONATE



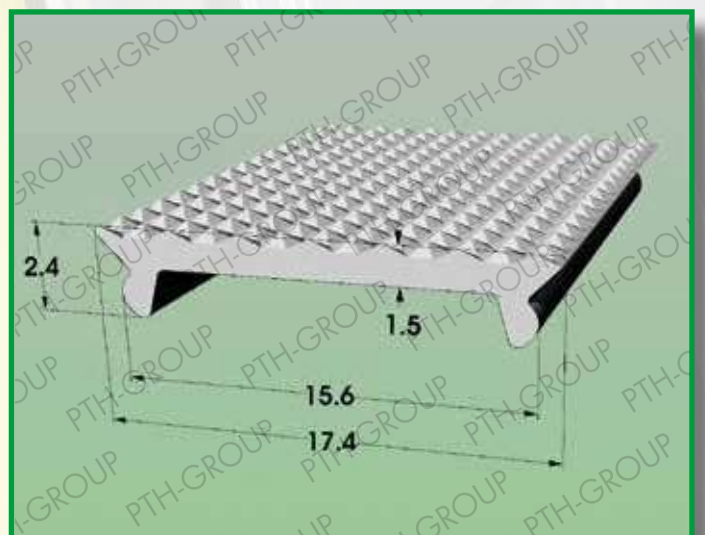
Profile 1010.146
Material: POLYCARBONATE



Profile 1010.175
Material: POLYCARBONATE

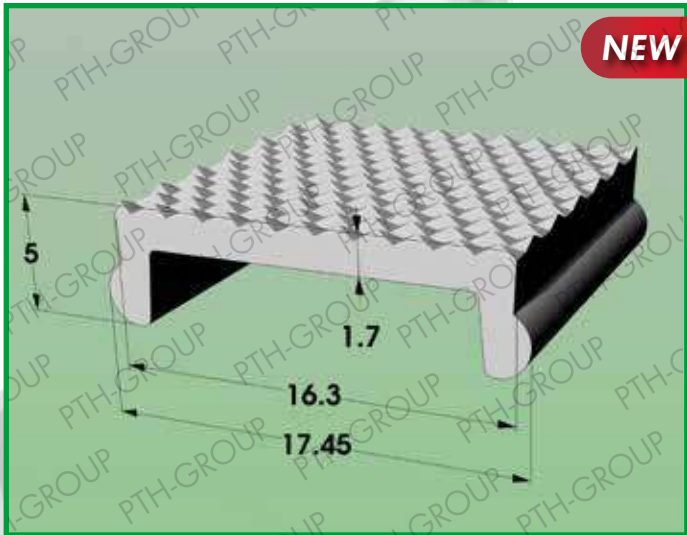


Profile 1010.420
Material: POLYCARBONATE

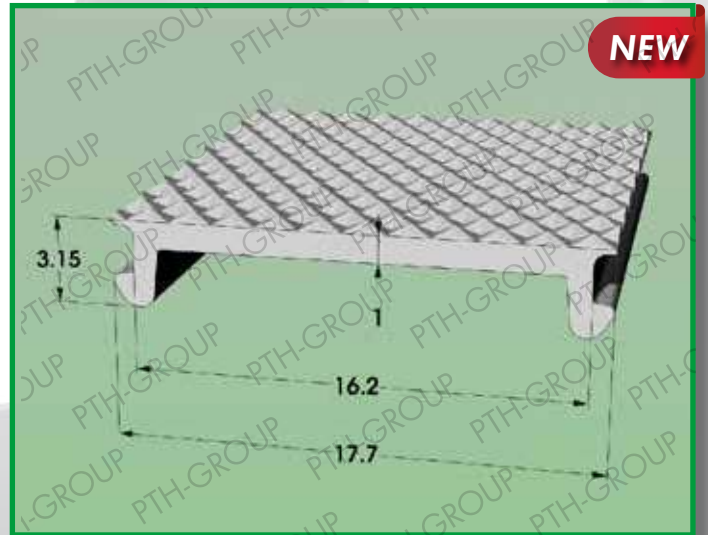


MICRO PRISMATIC PROFILES

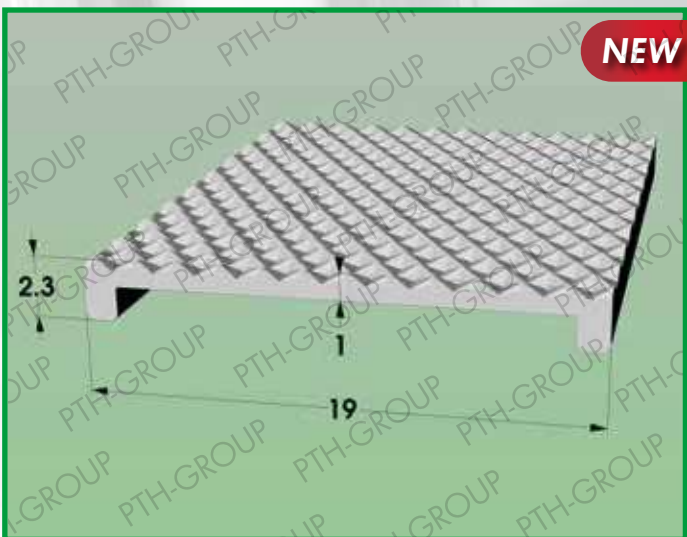
Profile 1010.511
Material: POLYCARBONATE



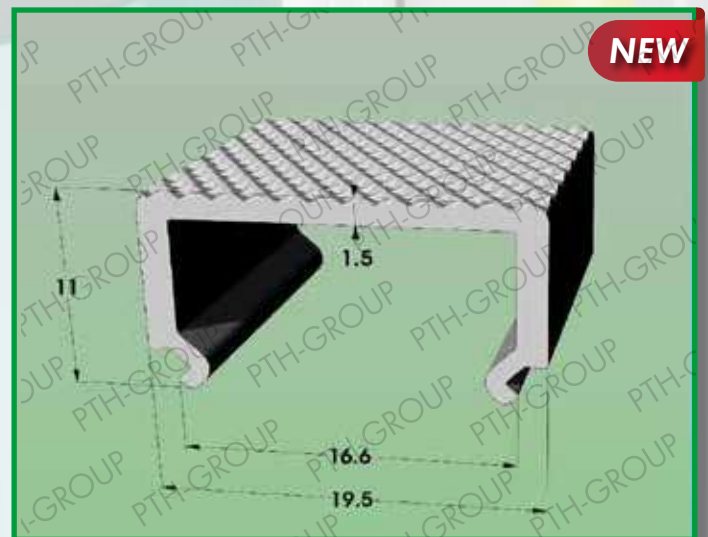
Profile 1010.496
Material: POLYCARBONATE



Profile 1010.479
Material: POLYCARBONATE

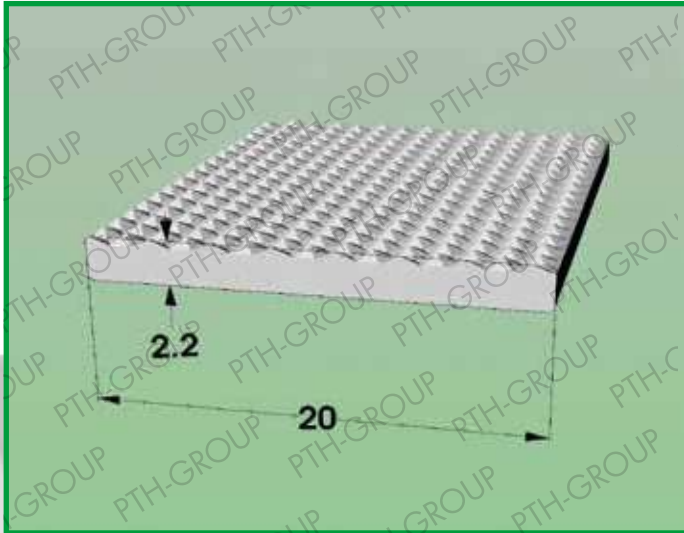


Profile 1010.497
Material: POLYCARBONATE

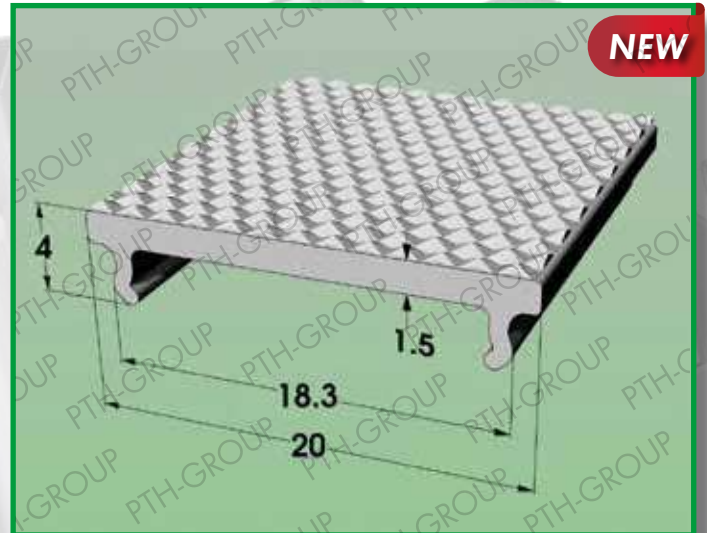


MICRO PRISMATIC PROFILES

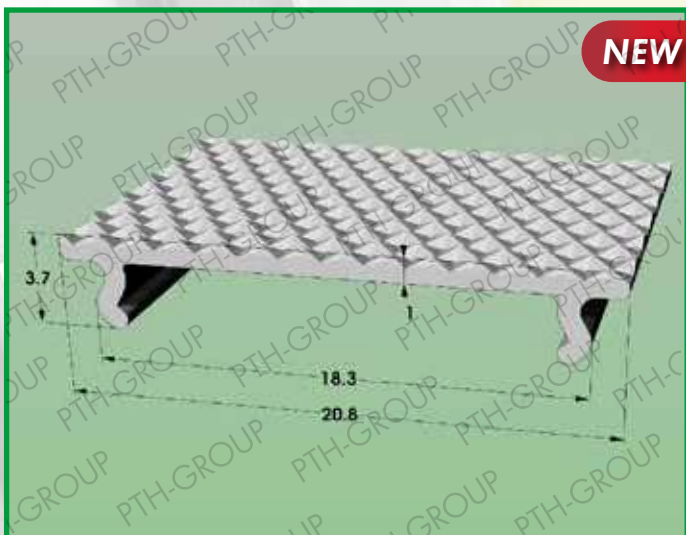
Profile 1010.333
Material: POLYCARBONATE



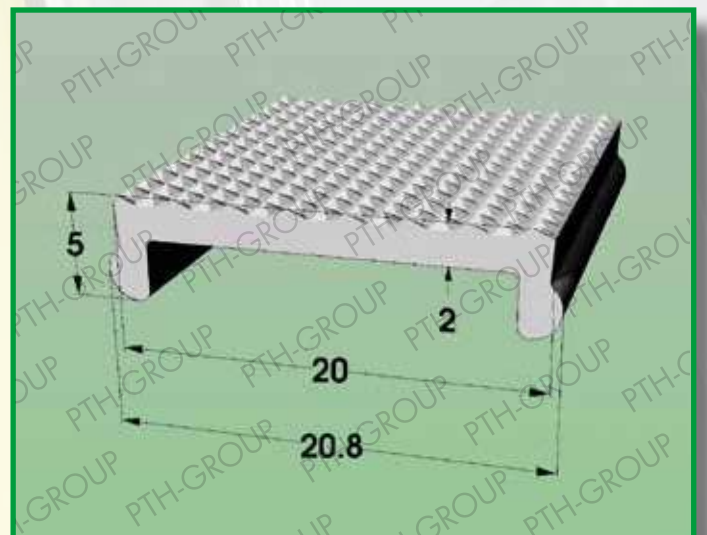
Profile 1010.226
Material: POLYCARBONATE



Profile 1010.507
Material: POLYCARBONATE



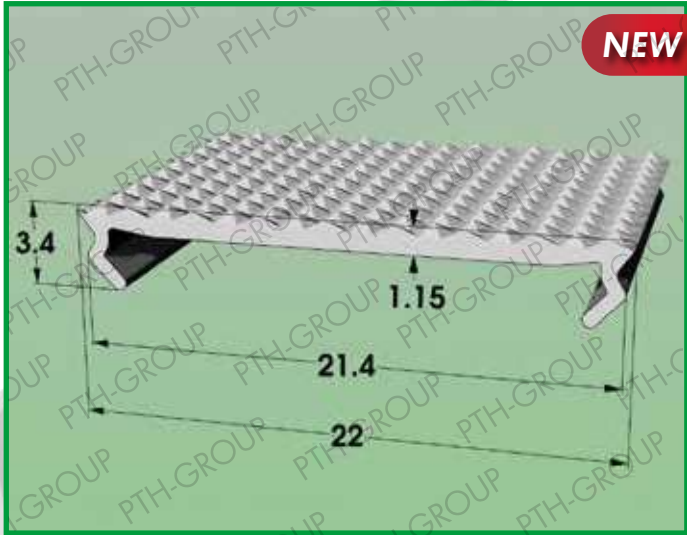
Profile 1010.293
Material: POLYCARBONATE



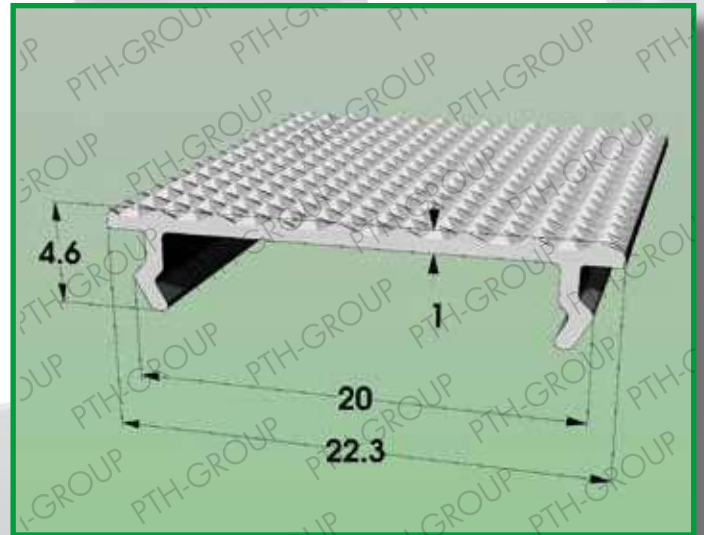
MICRO PRISMATIC PROFILES

Profile 1010.434
Material: POLYCARBONATE

NEW

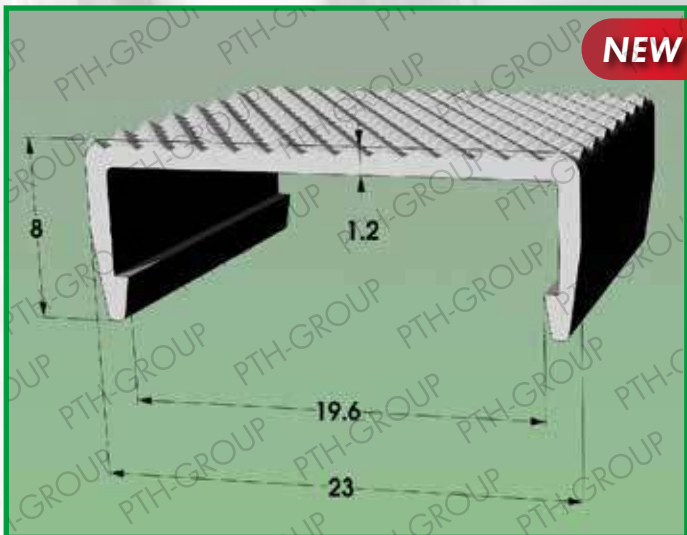


Profile 1010.394
Material: POLYCARBONATE



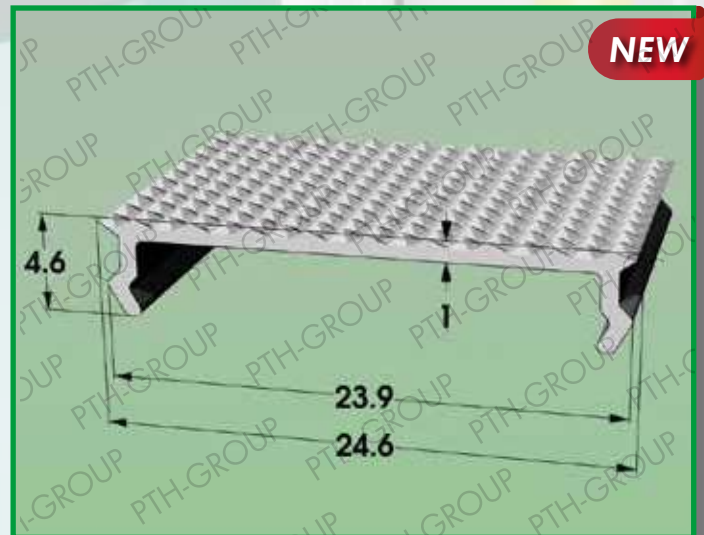
Profile 1010.513
Material: POLYCARBONATE

NEW



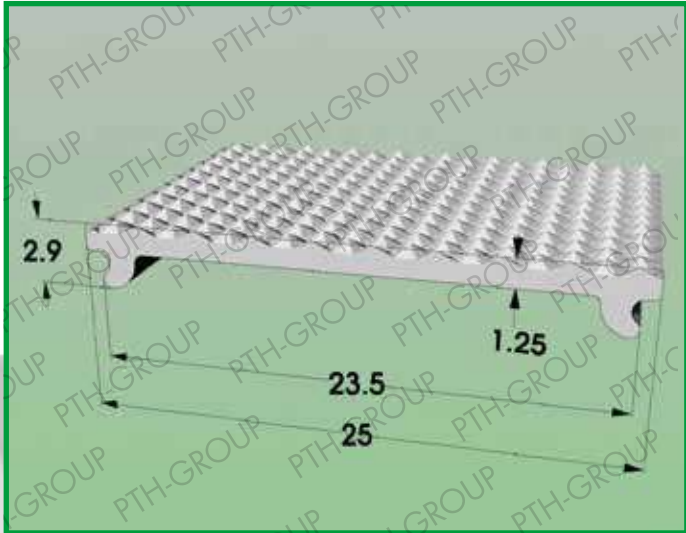
Profile 1010.436
Material: POLYCARBONATE

NEW

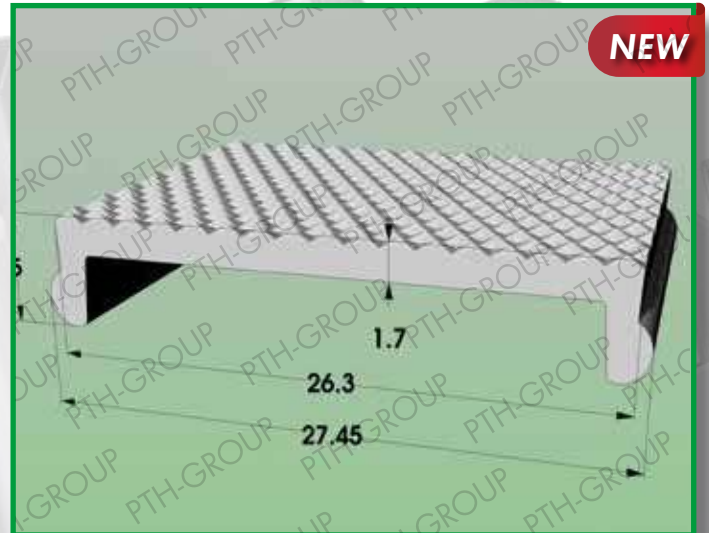


MICRO PRISMATIC PROFILES

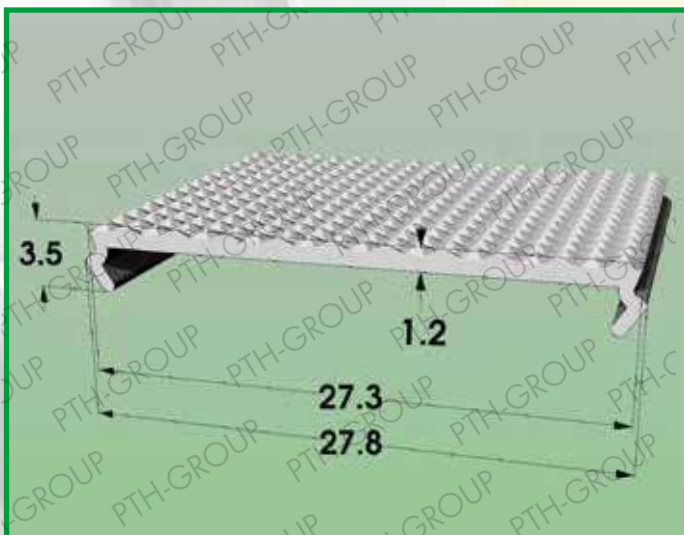
Profile 1010.264
Material: POLYCARBONATE



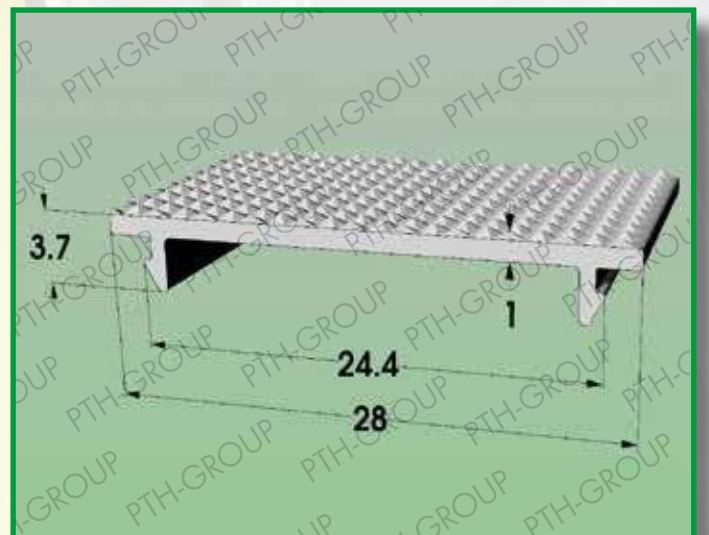
Profile 1010.512
Material: POLYCARBONATE



Profile 1010.355
Material: POLYCARBONATE

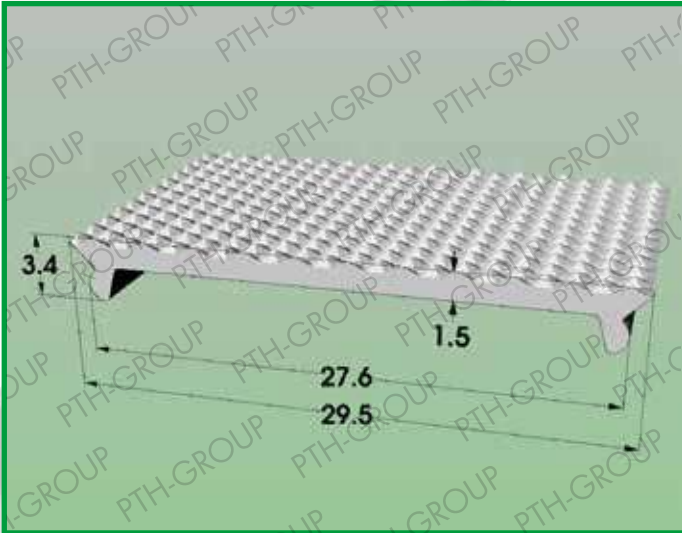


Profile 1010.162
Material: POLYCARBONATE

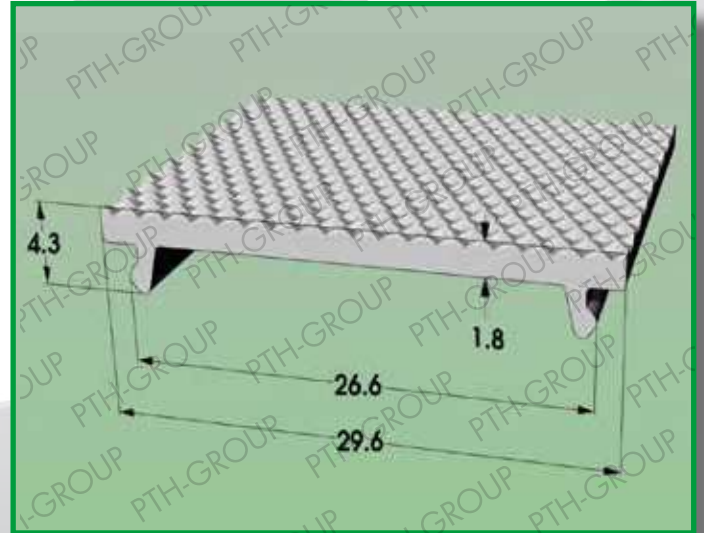


MICRO PRISMATIC PROFILES

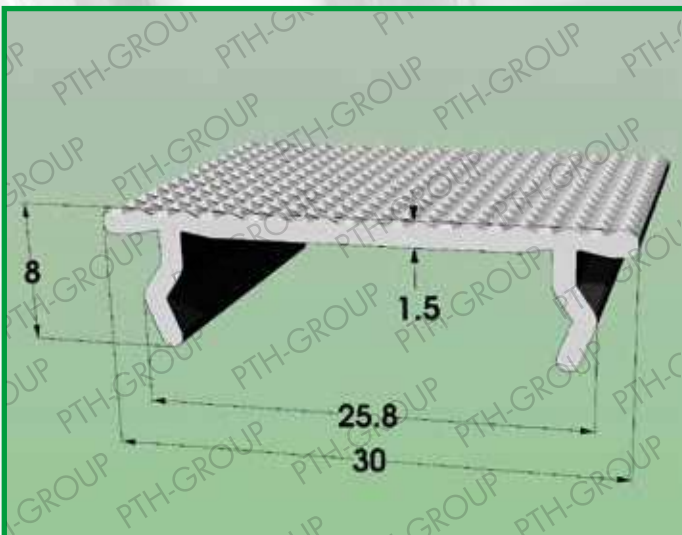
Profile 1010.423
Material: POLYCARBONATE



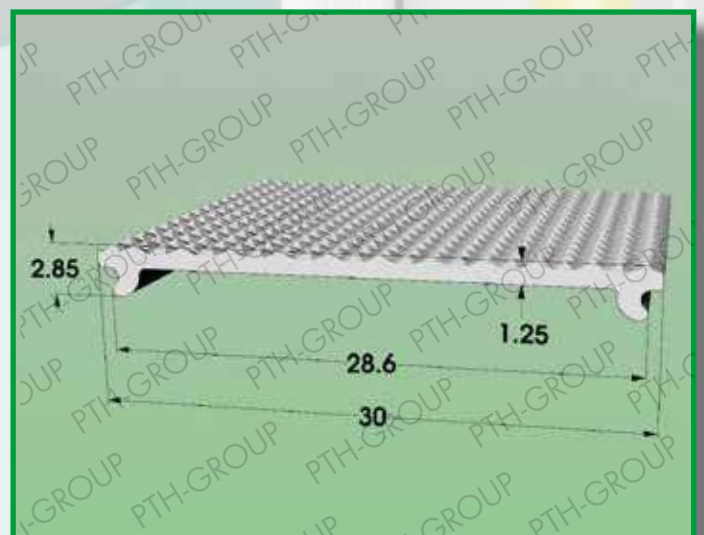
Profile 1010.260
Material: POLYCARBONATE



Profile 1010.318
Material: POLYCARBONATE

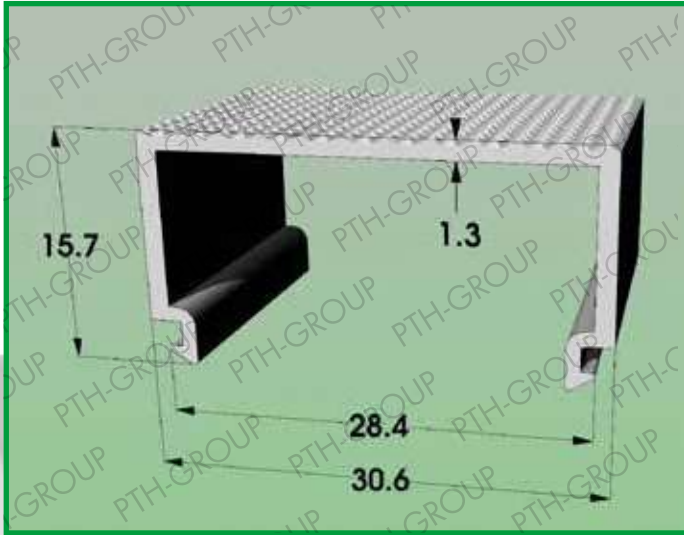


Profile 1010.286
Material: POLYCARBONATE

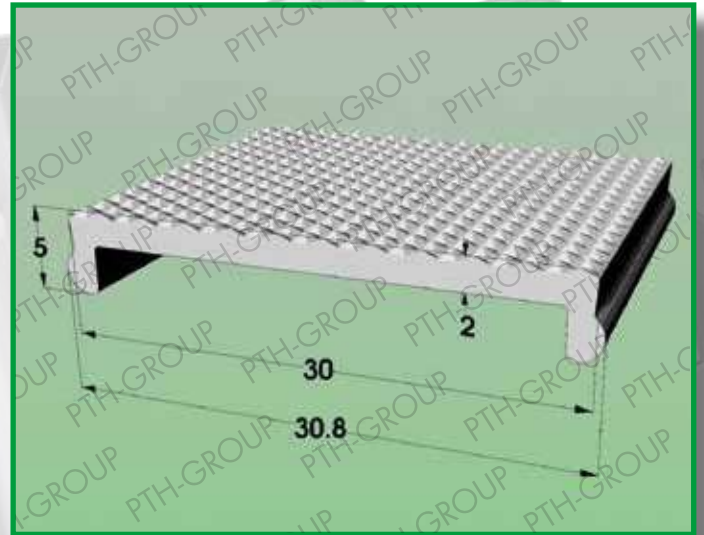


MICRO PRISMATIC PROFILES

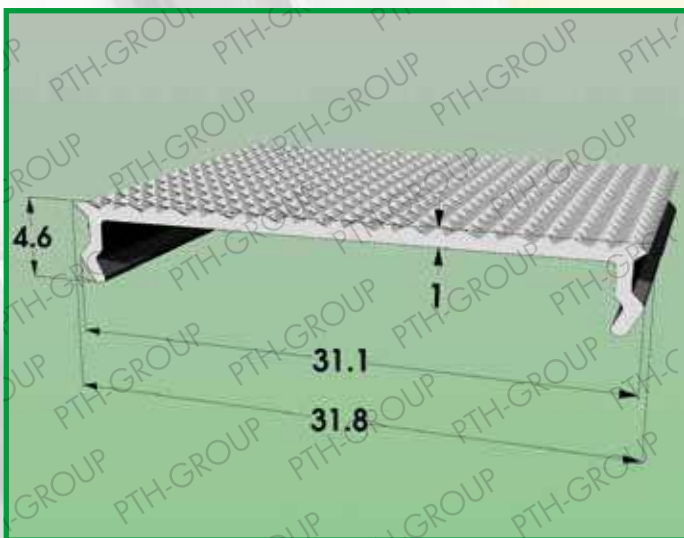
Profile 1010.303
Material: POLYCARBONATE



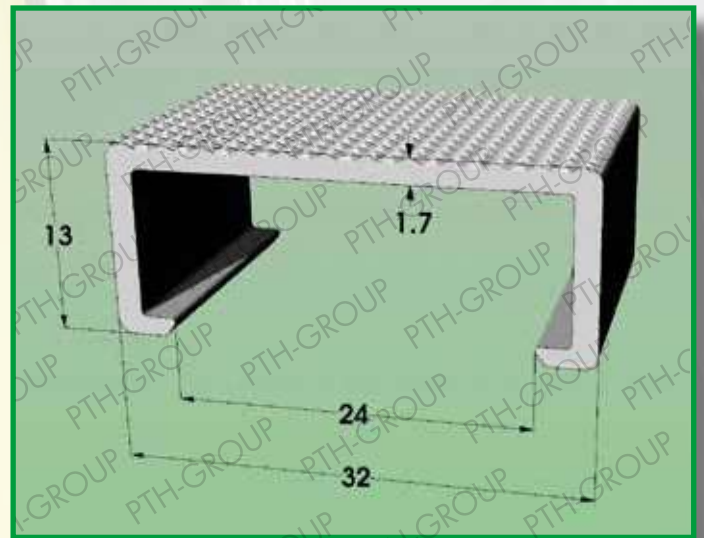
Profile 1010.294
Material: POLYCARBONATE



Profile 1010.418
Material: POLYCARBONATE



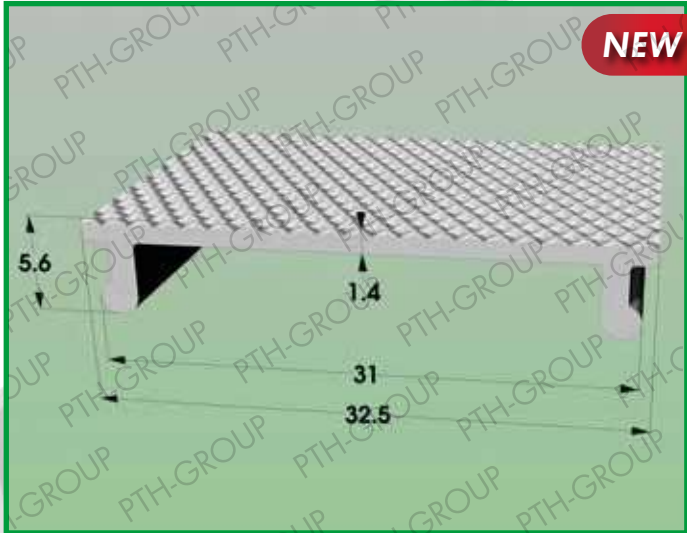
Profile 1010.427
Material: POLYCARBONATE



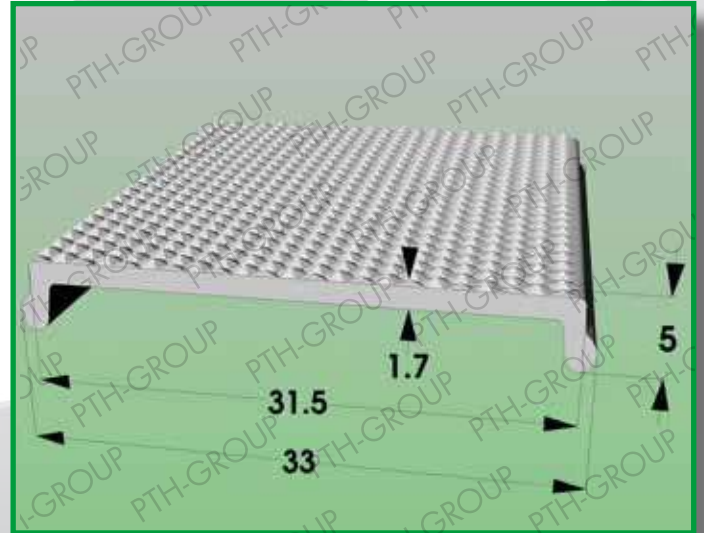
MICRO PRISMATIC PROFILES

Profile 1010.482
Material: POLYCARBONATE

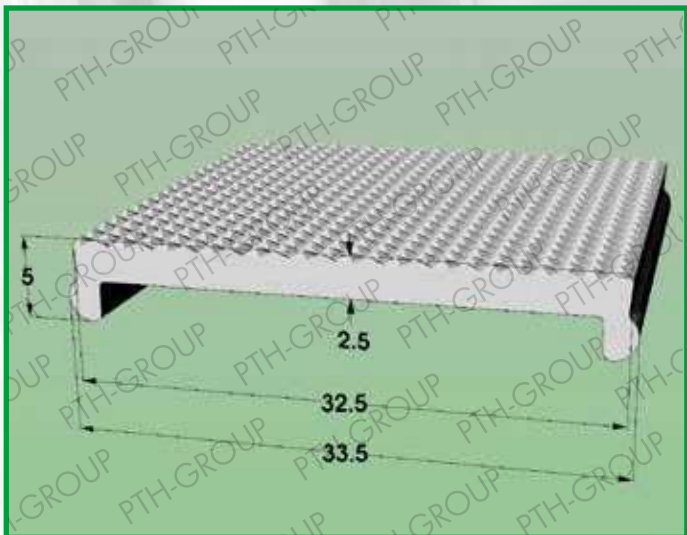
NEW



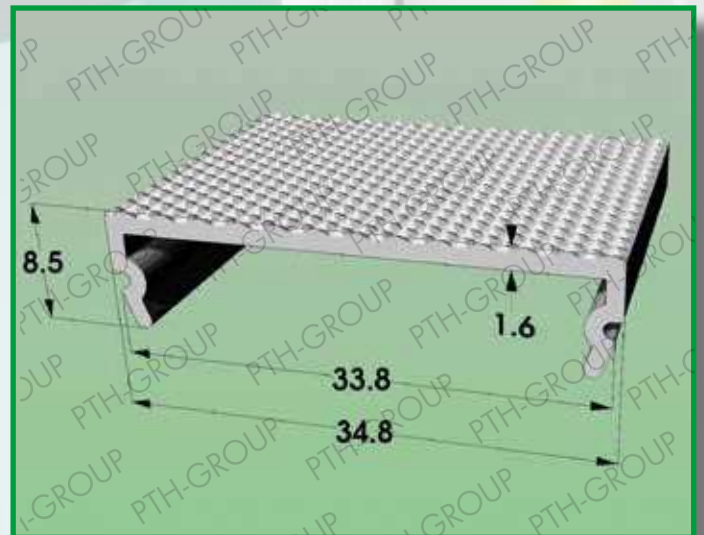
Profile 1010.50
Material: POLYCARBONATE



Profile 1010.51
Material: POLYCARBONATE

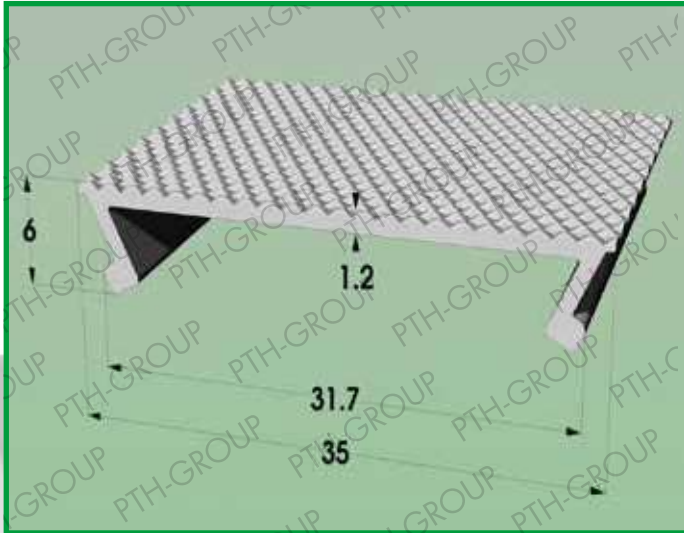


Profile 1010.180
Material: POLYCARBONATE

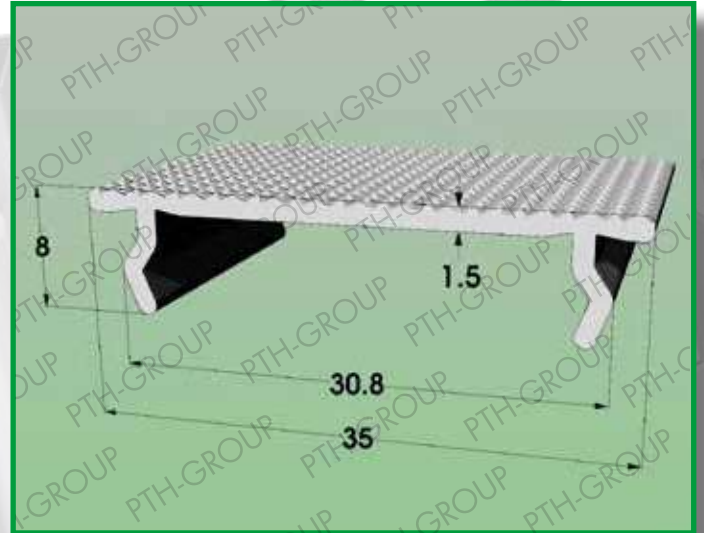


MICRO PRISMATIC PROFILES

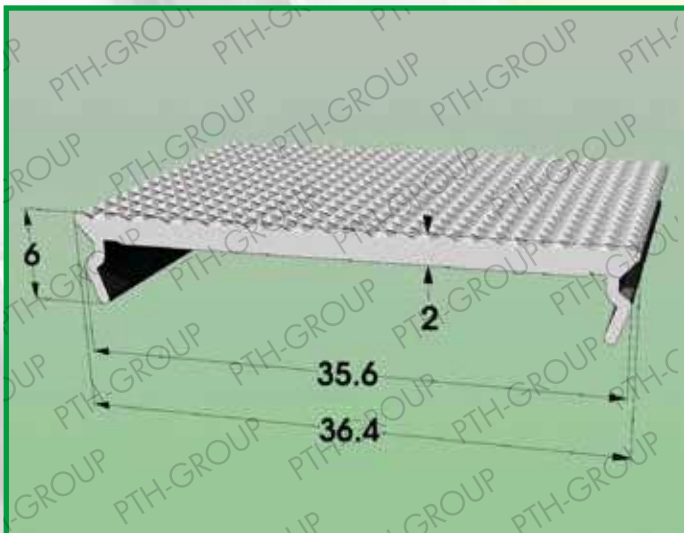
Profile 1010.449
Material: POLYCARBONATE



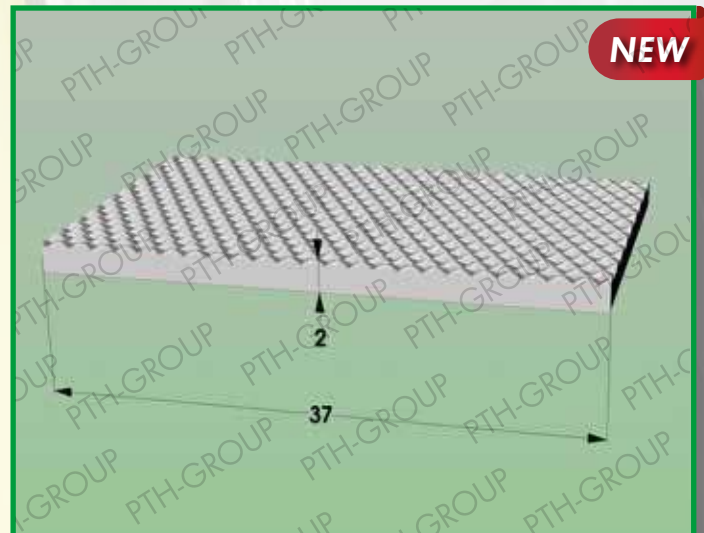
Profile 1010.319
Material: POLYCARBONATE



Profile 1010.351
Material: POLYCARBONATE

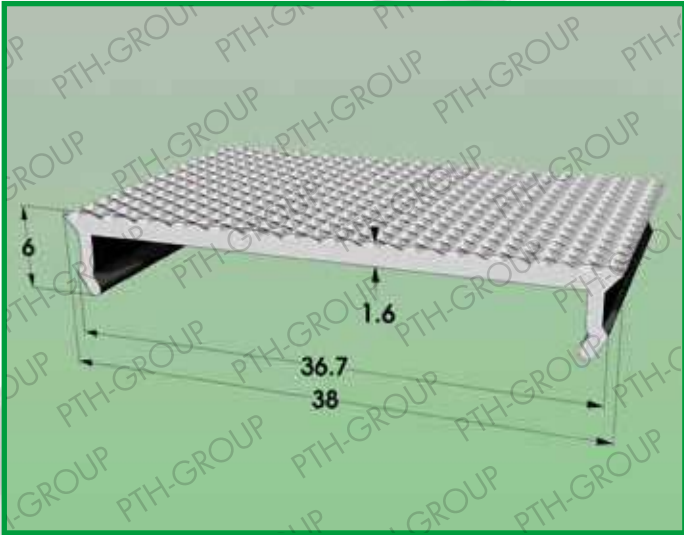


Profile 1010.481
Material: POLYCARBONATE

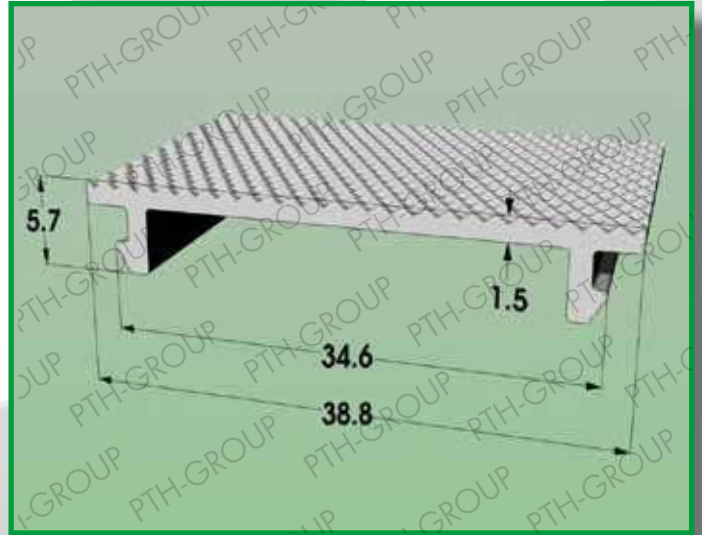


MICRO PRISMATIC PROFILES

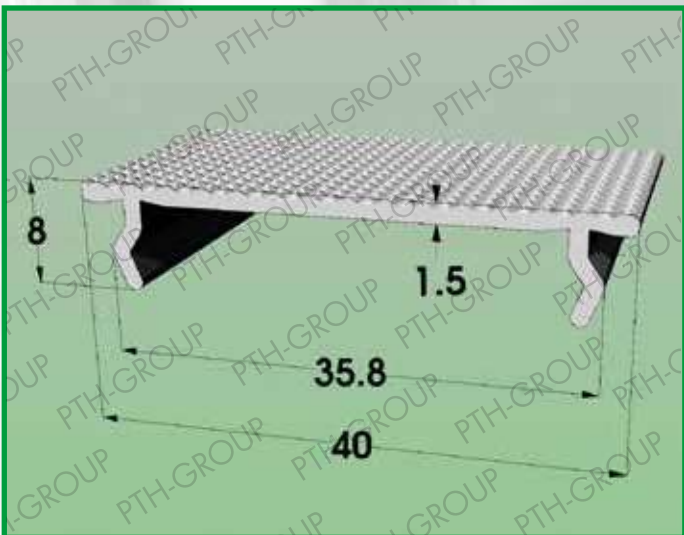
Profile 1010.379
Material: POLYCARBONATE



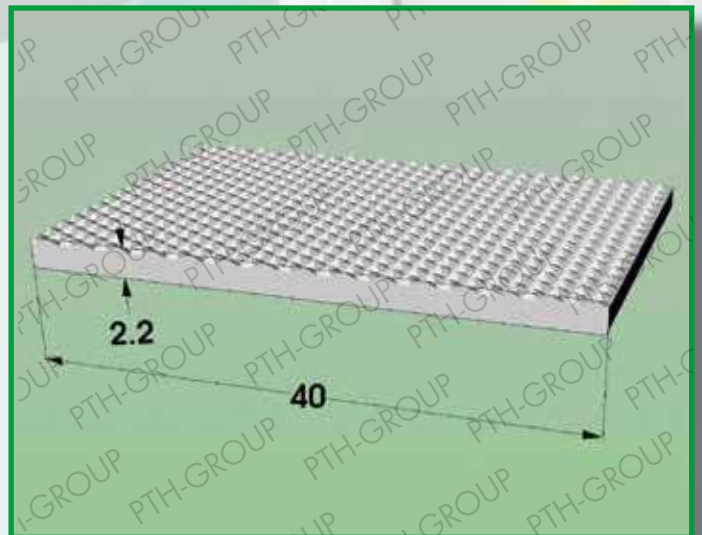
Profile 1010.266
Material: POLYCARBONATE



Profile 1010.320
Material: POLYCARBONATE

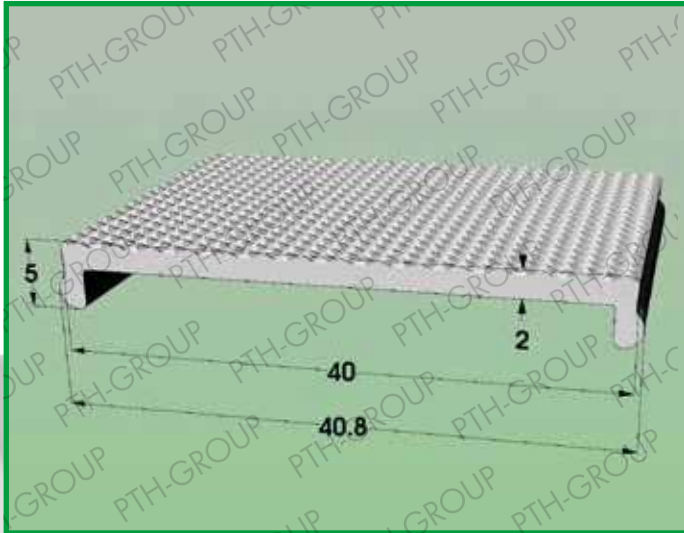


Profile 1010.332
Material: POLYCARBONATE

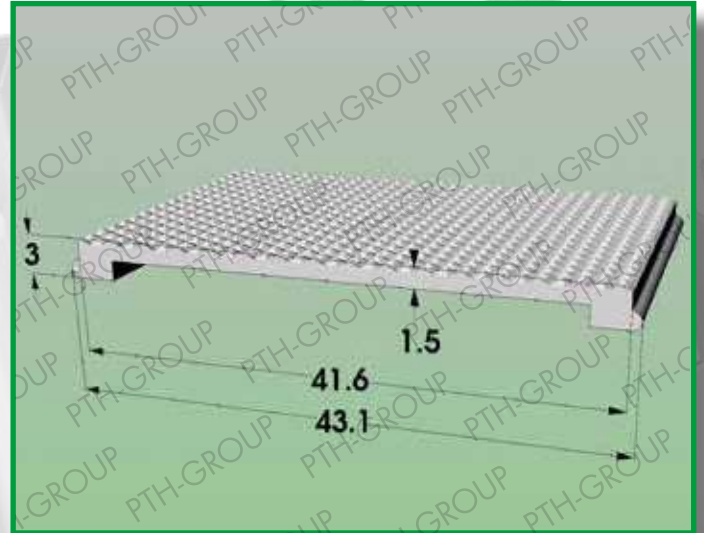


MICRO PRISMATIC PROFILES

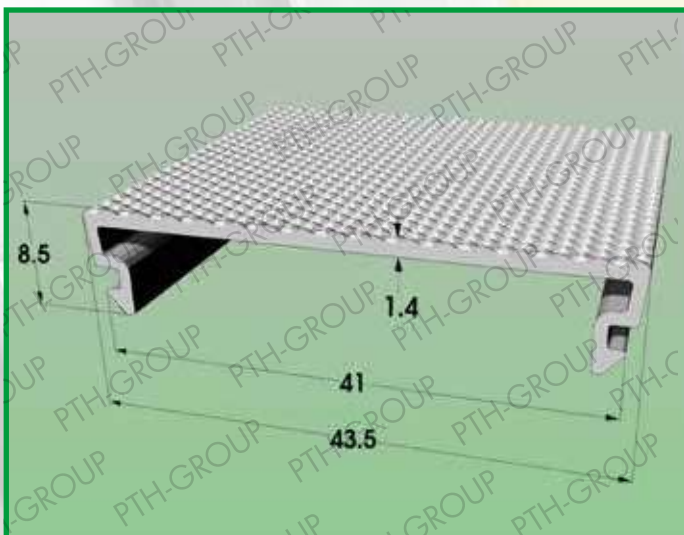
Profile 1010.295
Material: POLYCARBONATE



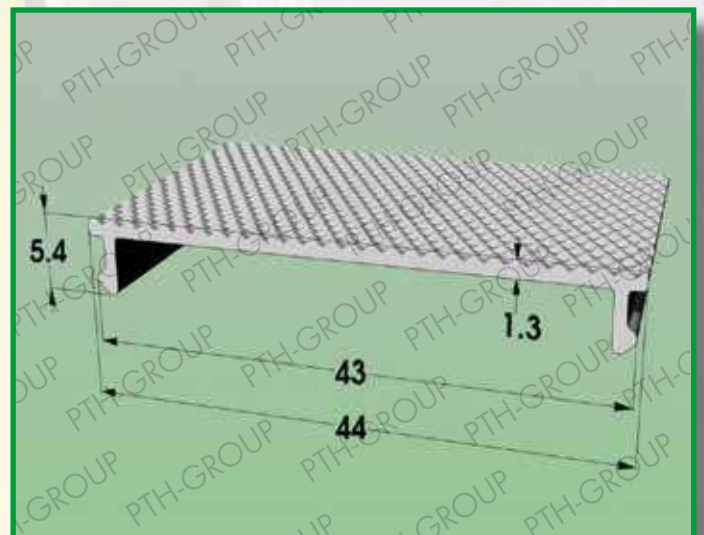
Profile 1010.362
Material: POLYCARBONATE



Profile 1010.32
Material: POLYCARBONATE

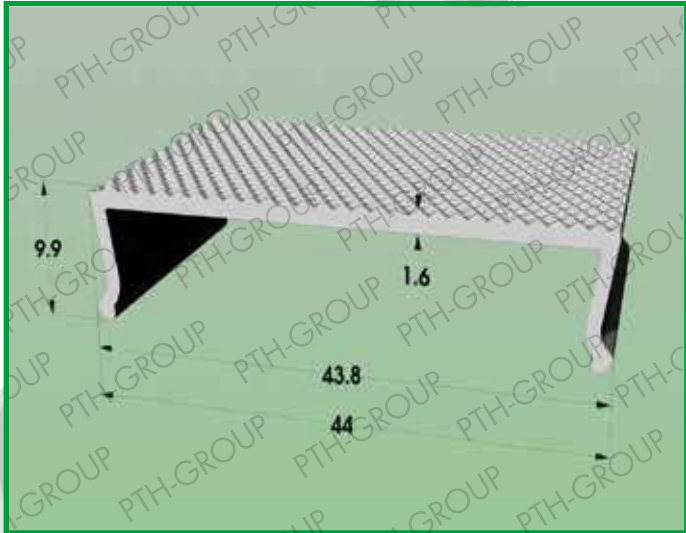


Profile 1010.268
Material: POLYCARBONATE

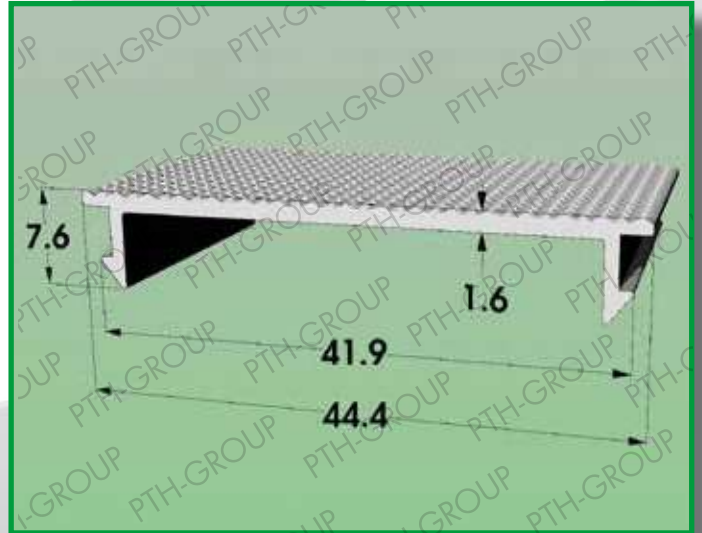


MICRO PRISMATIC PROFILES

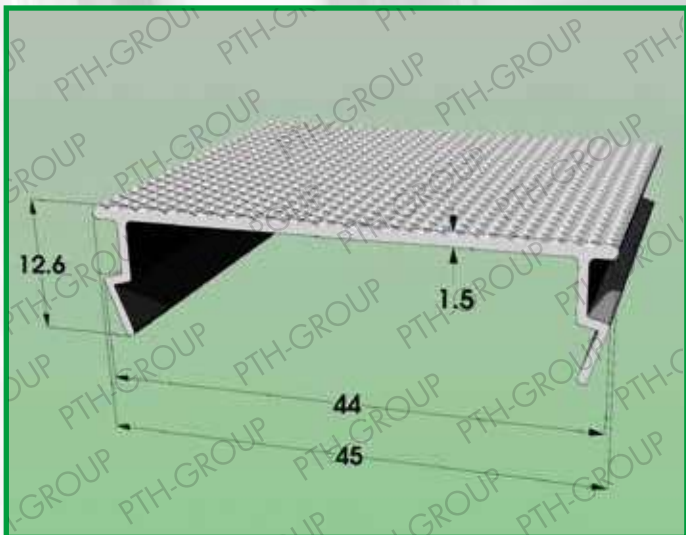
Profile 1010.440
Material: POLYCARBONATE



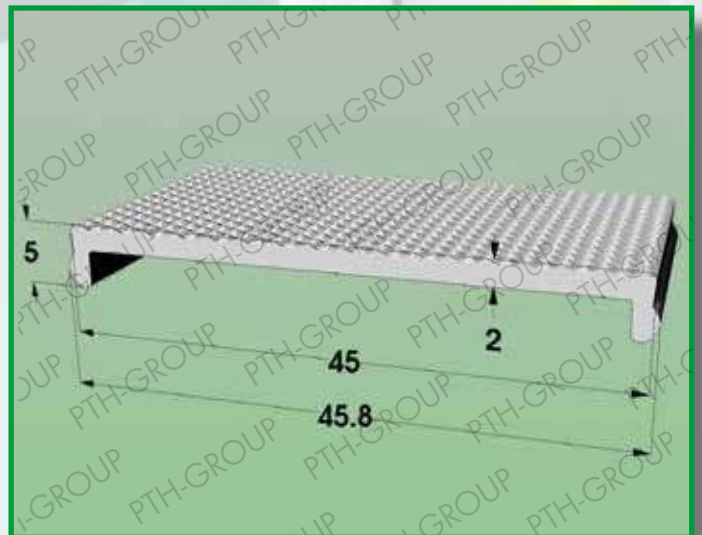
Profile 1010.307
Material: POLYCARBONATE



Profile 1010.40
Material: POLYCARBONATE



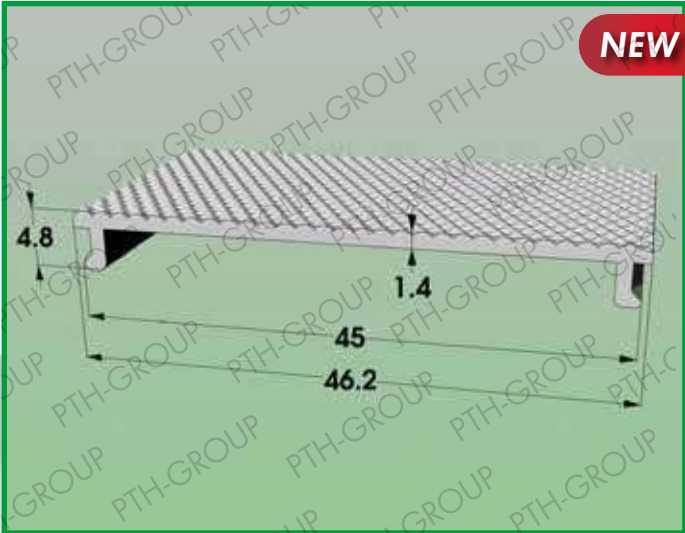
Profile 1010.296
Material: POLYCARBONATE



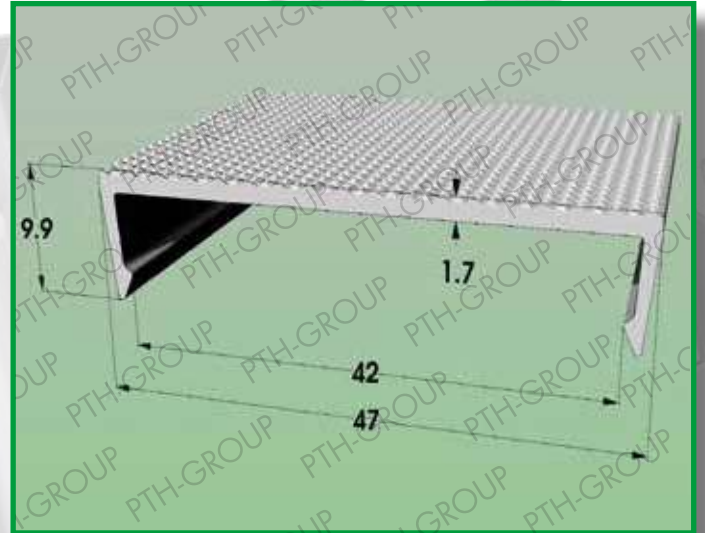
MICRO PRISMATIC PROFILES

Profile 1010.459
Material: POLYCARBONATE

NEW

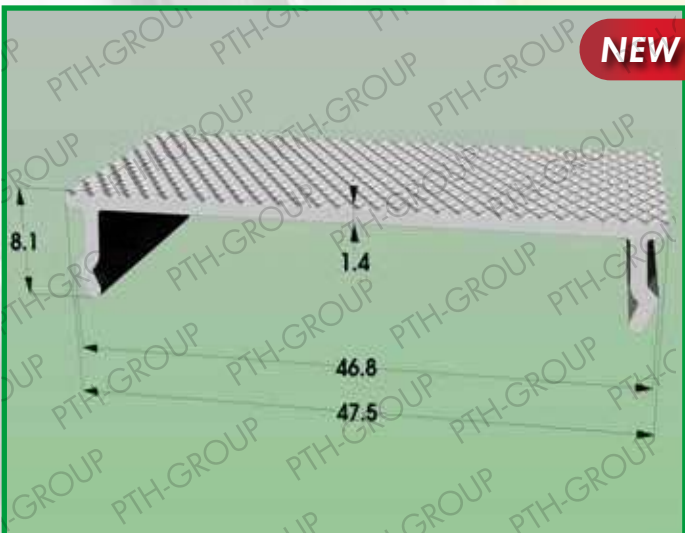


Profile 1010.412
Material: POLYCARBONATE

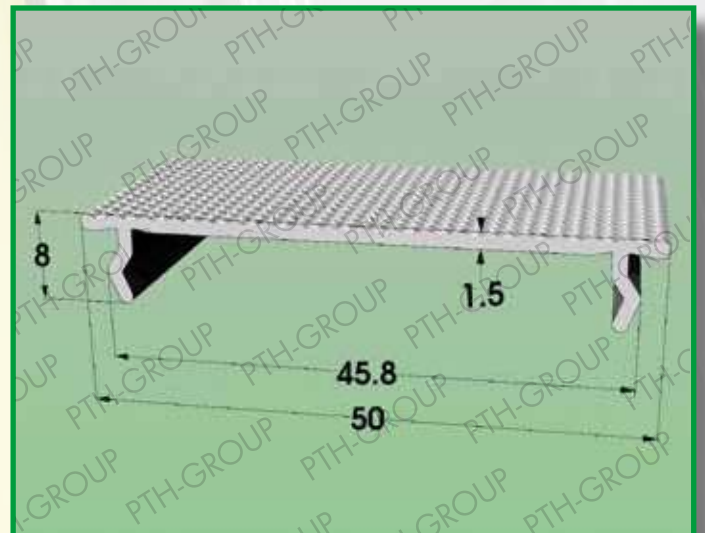


Profile 1010.483
Material: POLYCARBONATE

NEW

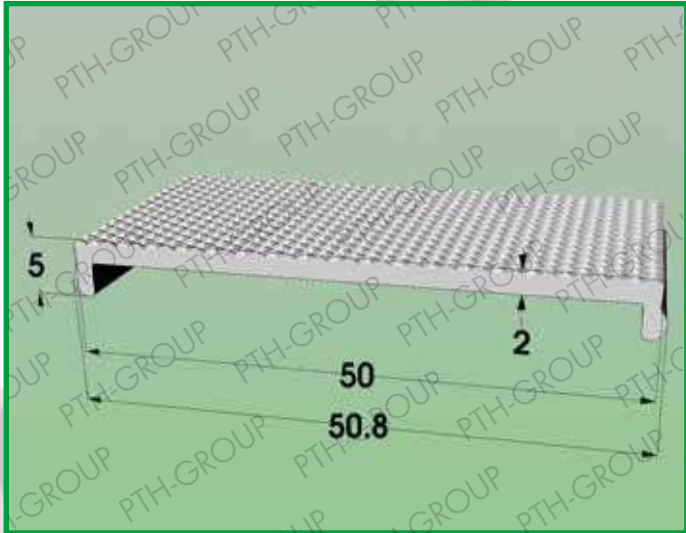


Profile 1010.321
Material: POLYCARBONATE

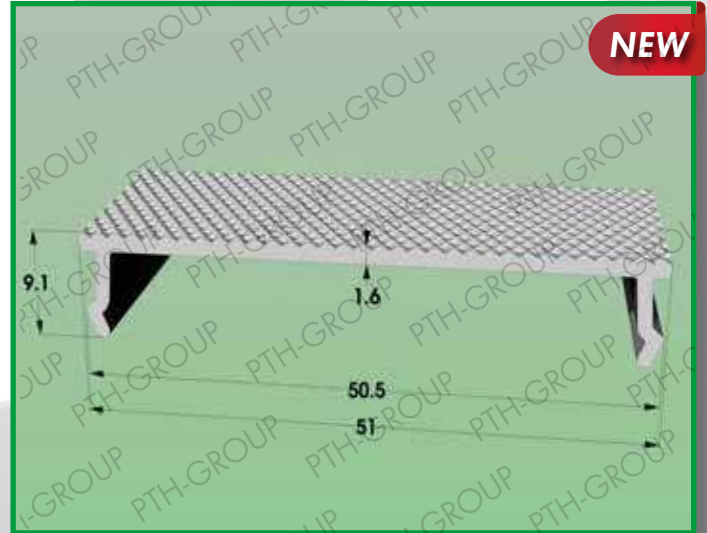


MICRO PRISMATIC PROFILES

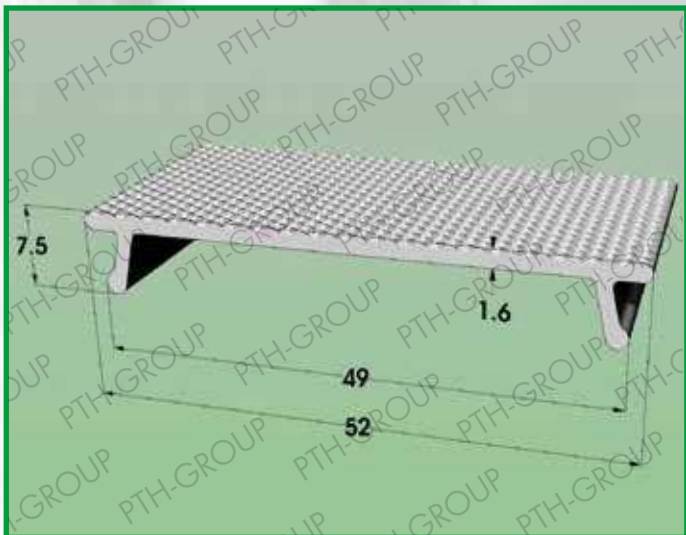
Profile 1010.297
Material: POLYCARBONATE



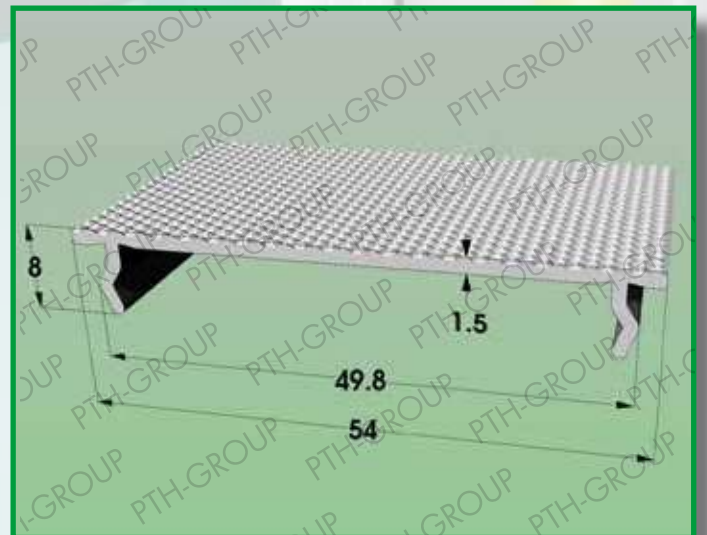
Profile 1010.484
Material: POLYCARBONATE



Profile 1010.242
Material: POLYCARBONATE

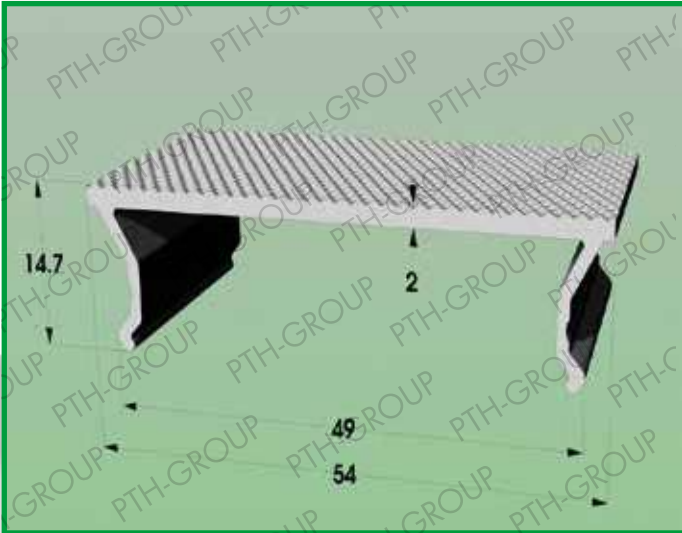


Profile 1010.174
Material: POLYCARBONATE

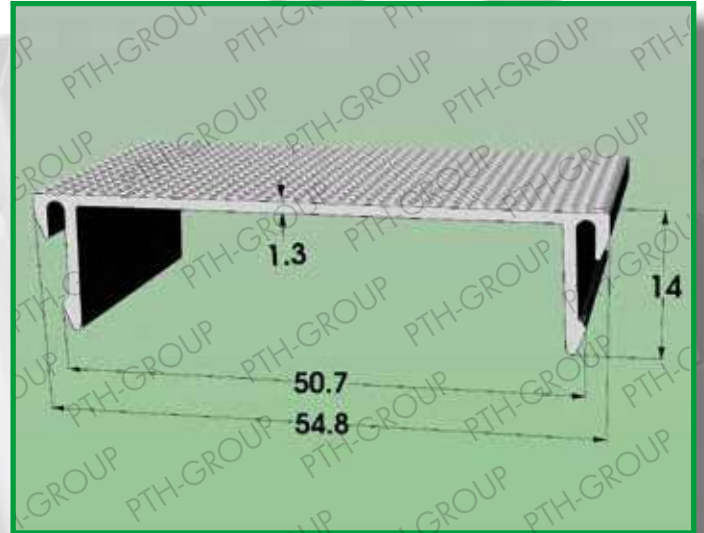


MICRO PRISMATIC PROFILES

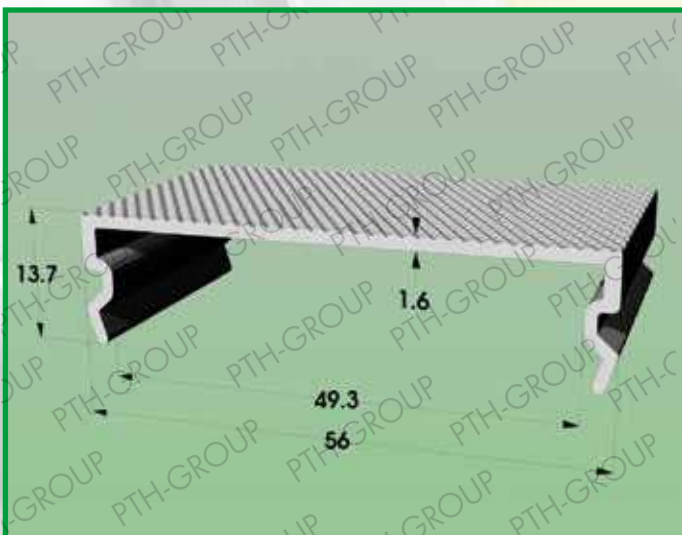
Profile 1010.448
Material: POLYCARBONATE



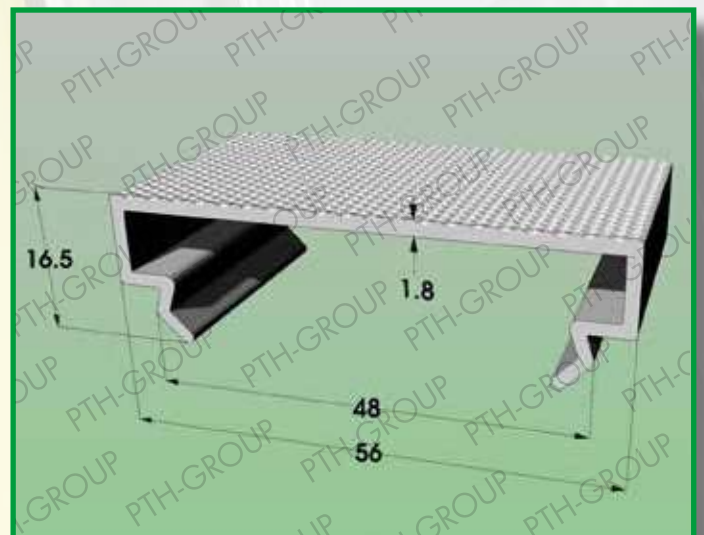
Profile 1010.323
Material: POLYCARBONATE



Profile 1010.445
Material: POLYCARBONATE CLEAR / OPAL

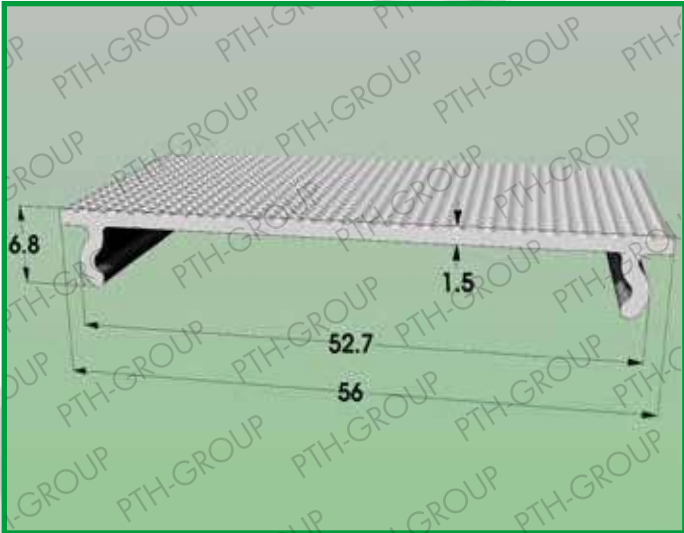


Profile 1010.102
Material: POLYCARBONATE

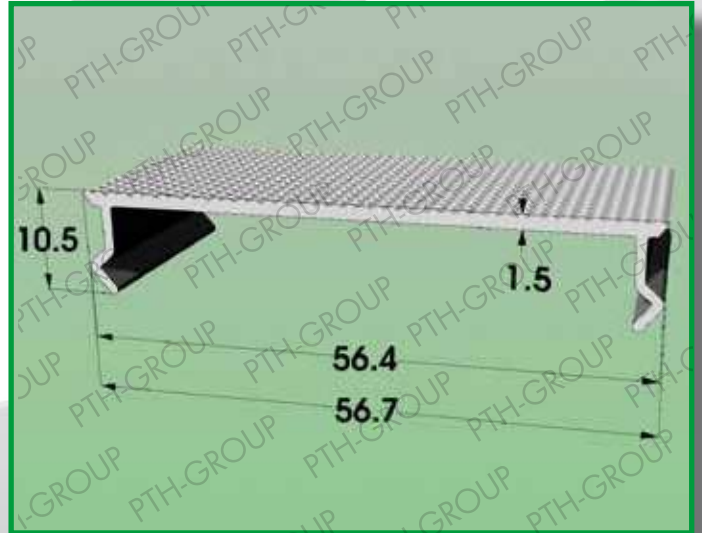


MICRO PRISMATIC PROFILES

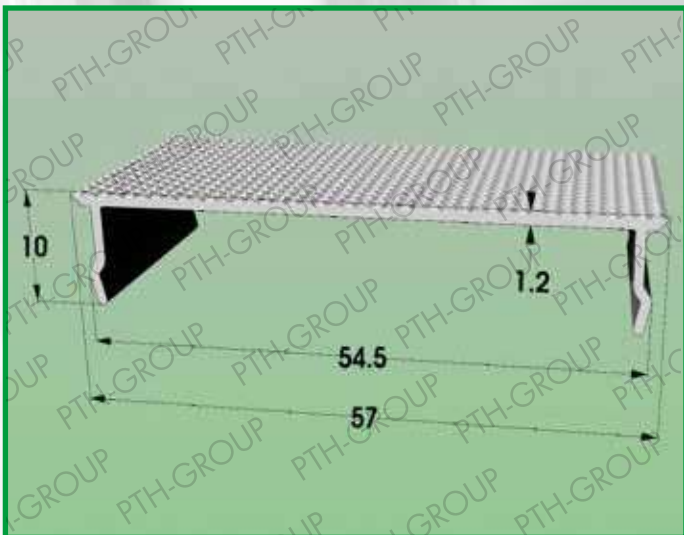
Profile 1010.419
Material: POLYCARBONATE



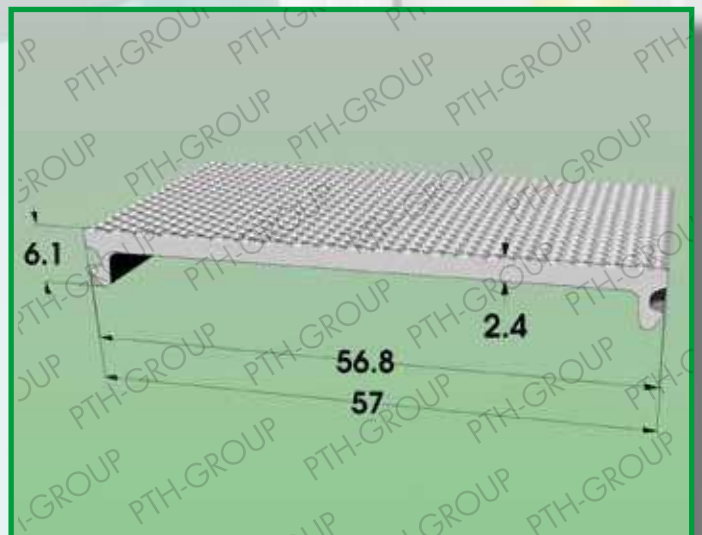
Profile 1010.301
Material: POLYCARBONATE



Profile 1010.185
Material: POLYCARBONATE

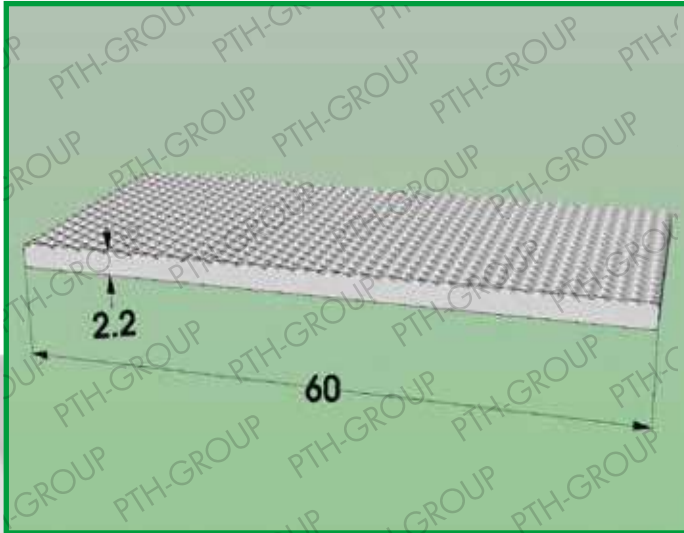


Profile 1010.147
Material: POLYCARBONATE

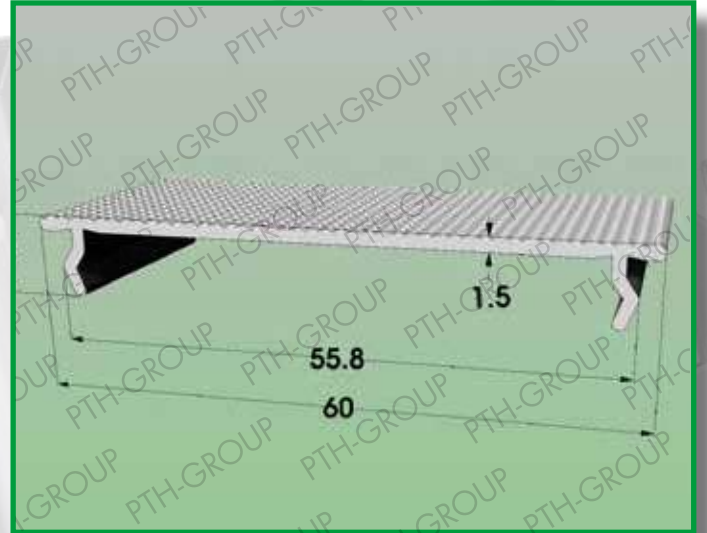


MICRO PRISMATIC PROFILES

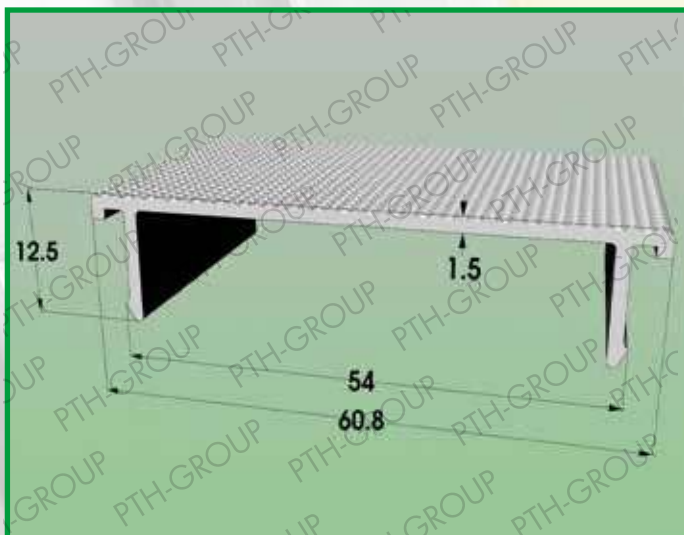
Profile 1010.331
Material: POLYCARBONATE



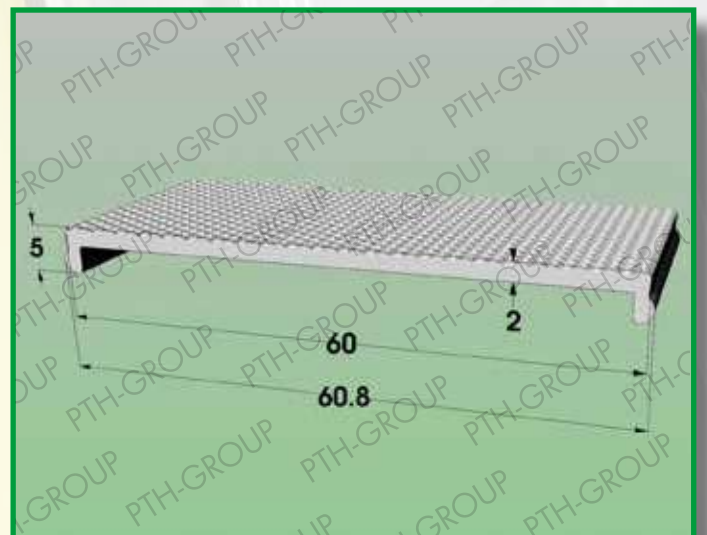
Profile 1010.322
Material: POLYCARBONATE



Profile 1010.407
Material: POLYCARBONATE

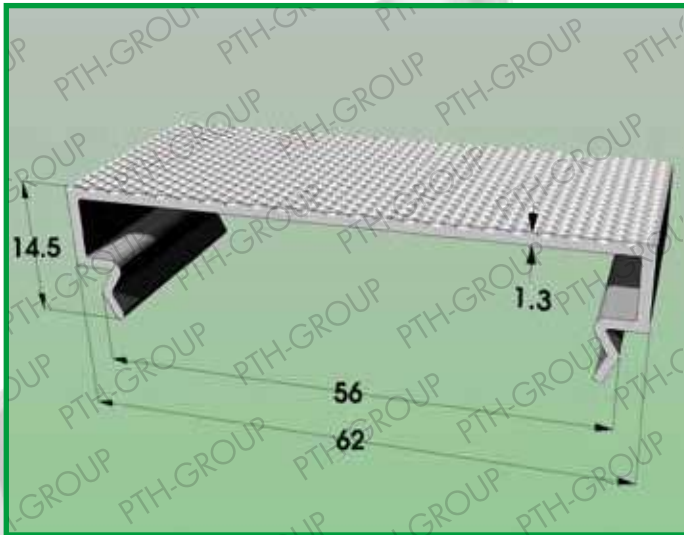


Profile 1010.298
Material: POLYCARBONATE

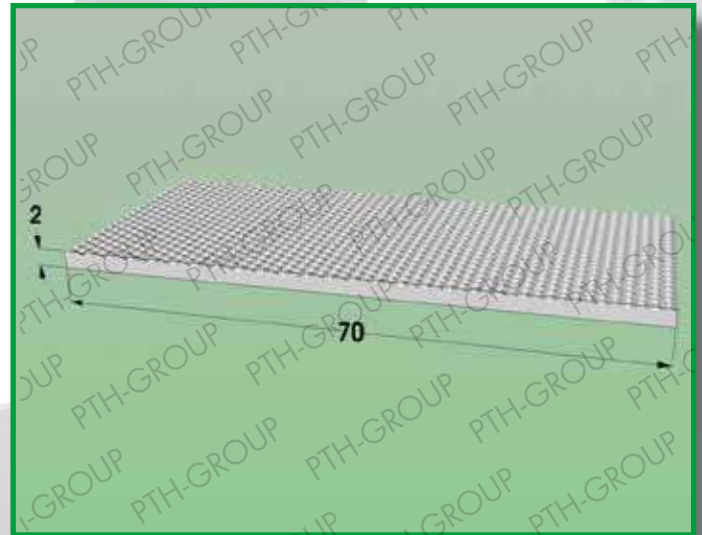


MICRO PRISMATIC PROFILES

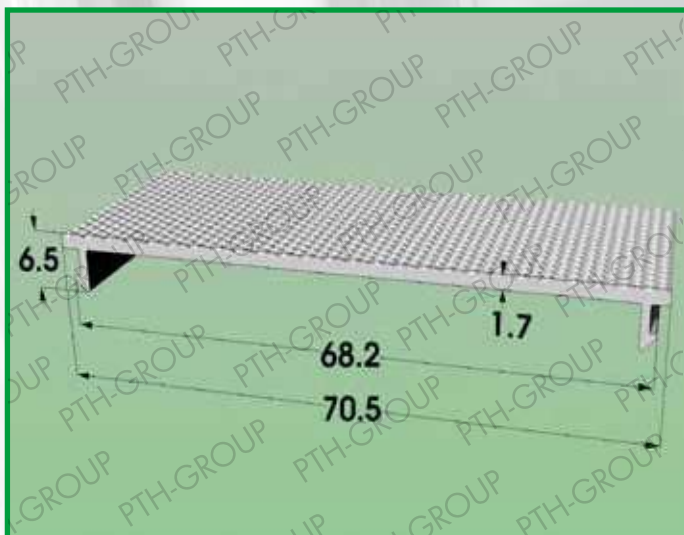
Profile 1010.196
Material: POLYCARBONATE



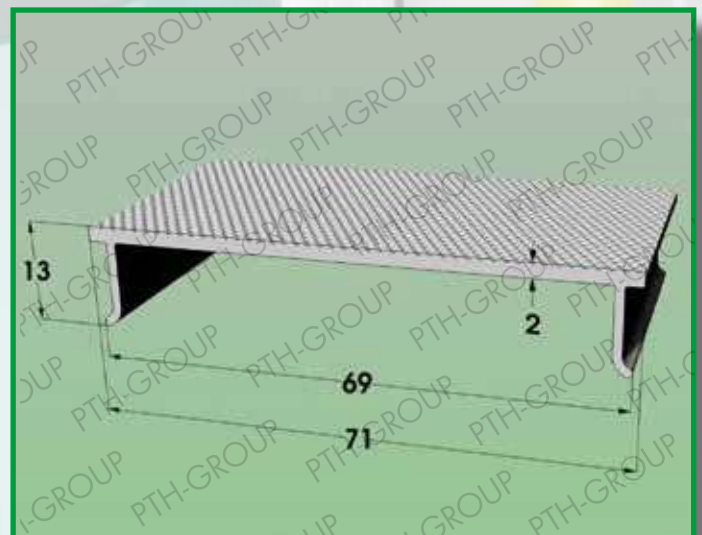
Profile 1010.383
Material: POLYCARBONATE



Profile 1010.277
Material: POLYCARBONATE

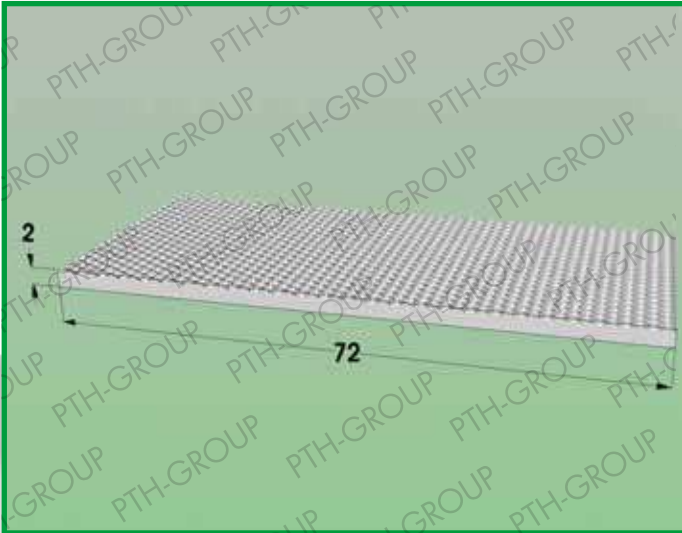


Profile 1010.243
Material: POLYCARBONATE

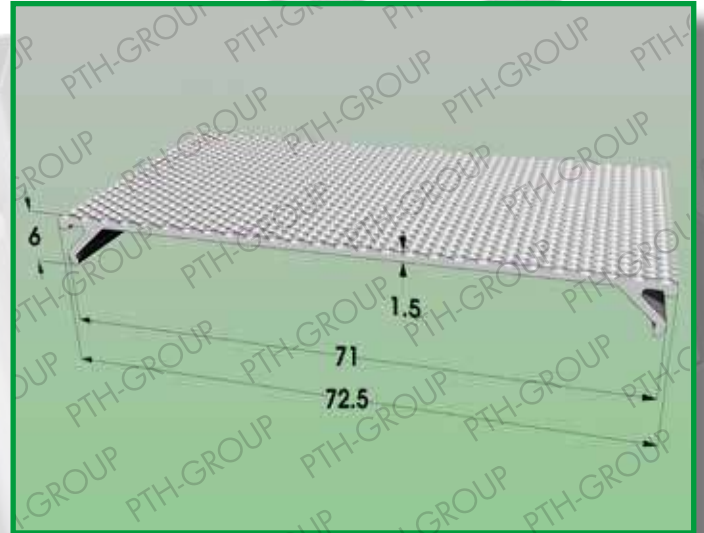


MICRO PRISMATIC PROFILES

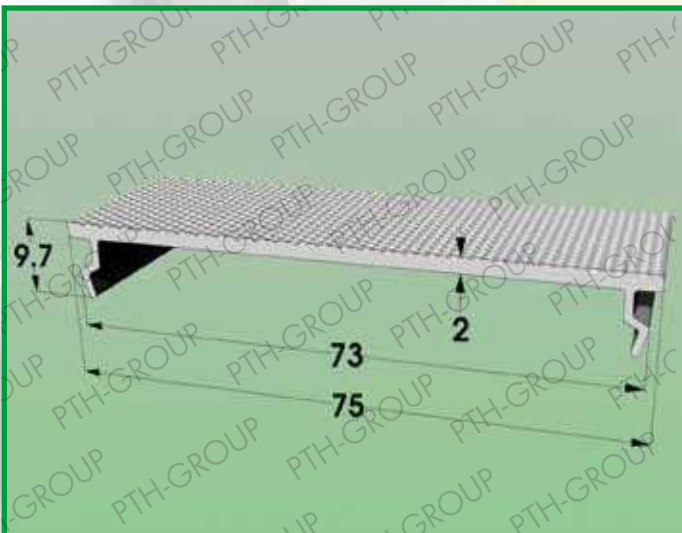
Profile 1010.384
Material: POLYCARBONATE



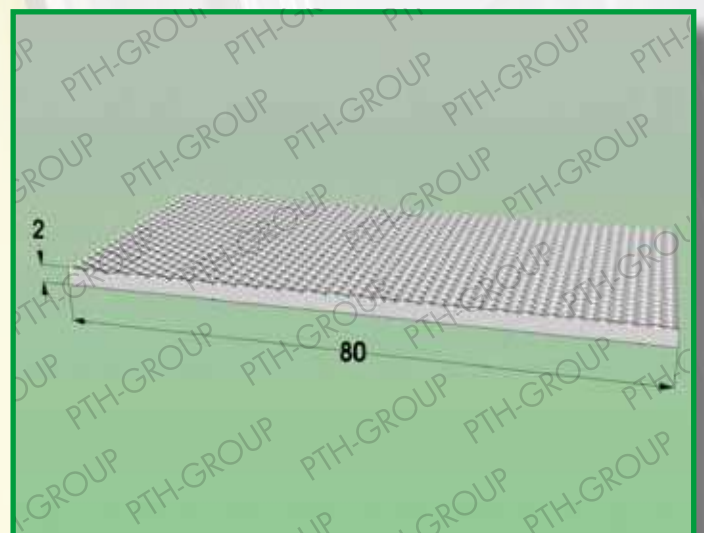
Profile 1010.27
Material: POLYCARBONATE



Profile 1010.361
Material: POLYCARBONATE

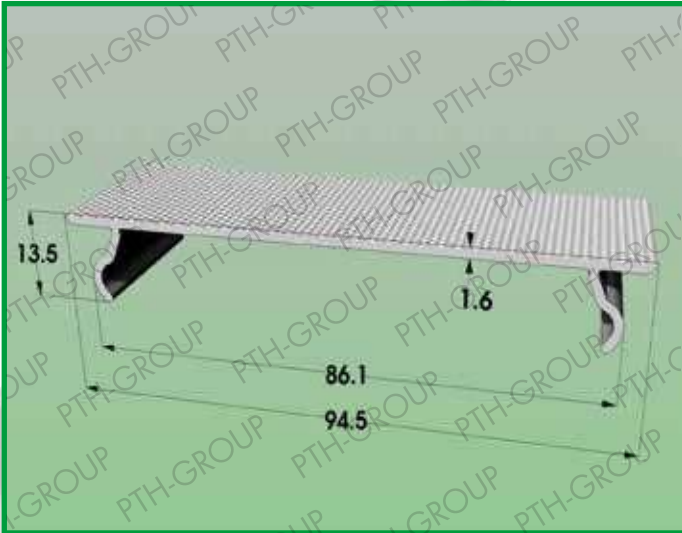


Profile 1010.385
Material: POLYCARBONATE

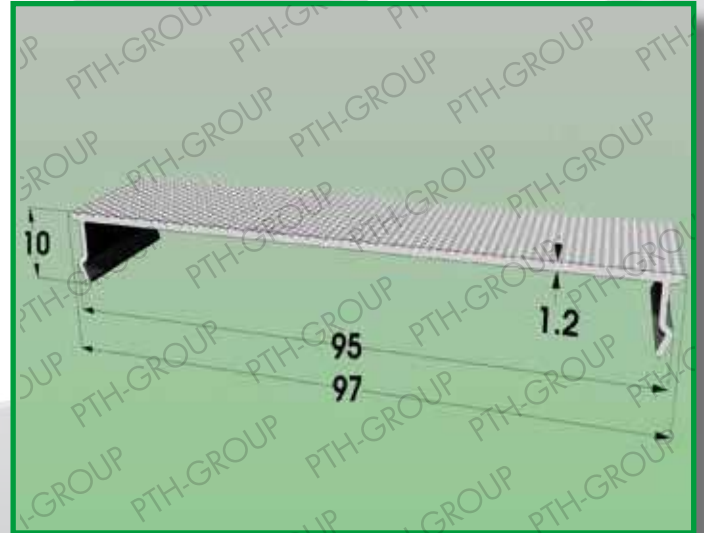


MICRO PRISMATIC PROFILES

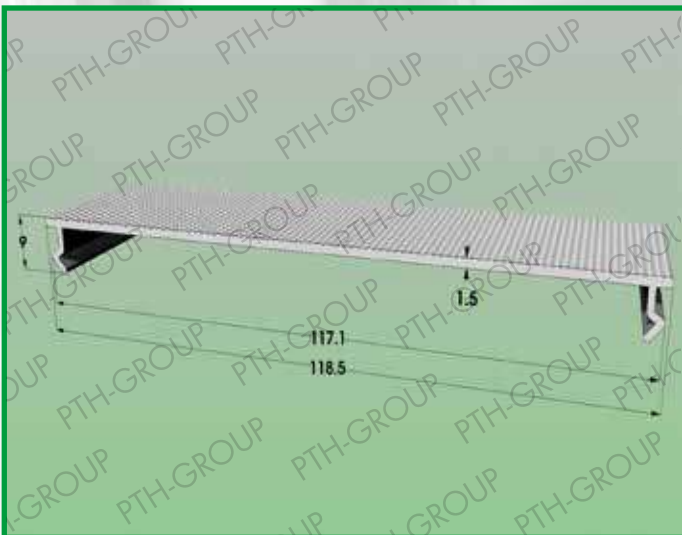
Profile 1010.61
Material: POLYCARBONATE



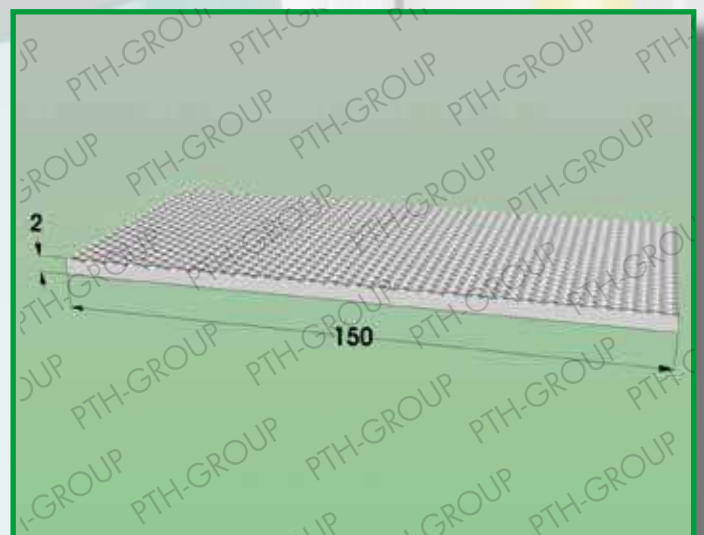
Profile 1010.212
Material: POLYCARBONATE



Profile 1010.417
Material: POLYCARBONATE

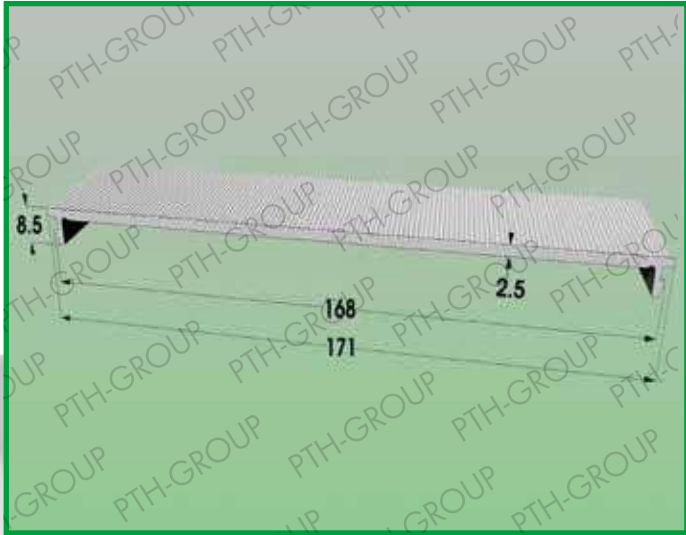


Profile 1010.395
Material: POLYCARBONATE



MICRO PRISMATIC PROFILES

Profile 1010.38
Material: POLYCARBONATE



MICRO PRISMATIC PROFILES





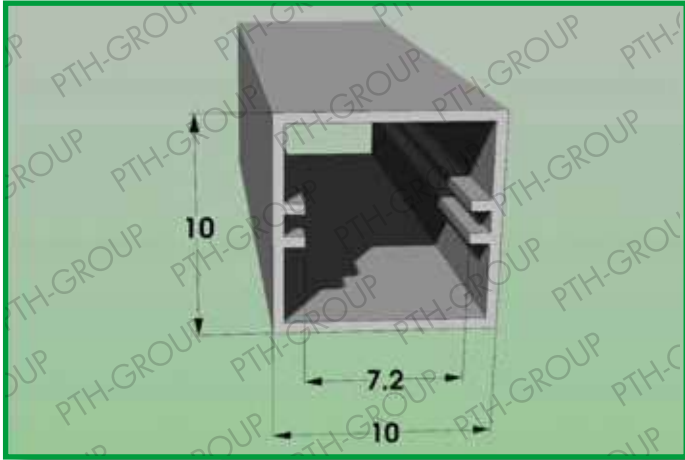
CLOSED SECTIONS



CLOSED SECTIONS

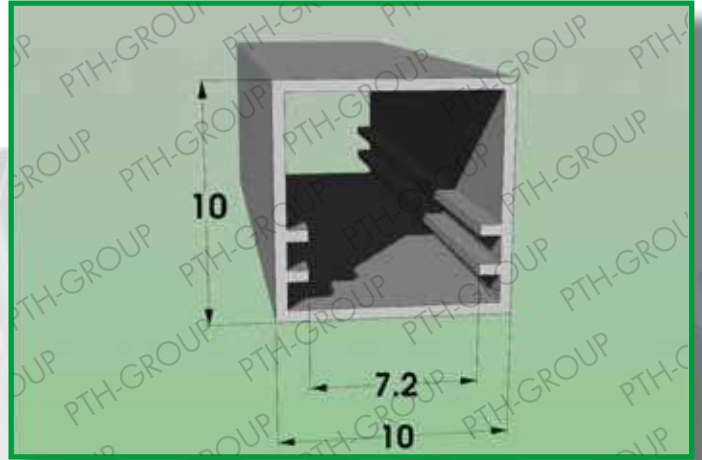
Profile 1010.116

Material: POLYCARBONATE CLEAR / OPAL



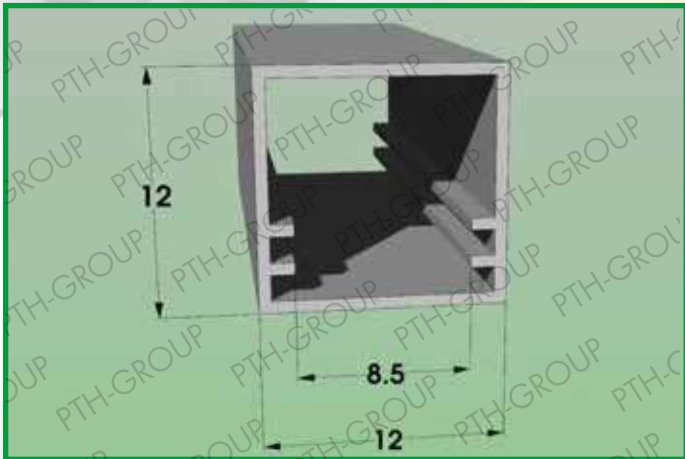
Profile 1010.198

Material: POLYCARBONATE CLEAR / OPAL



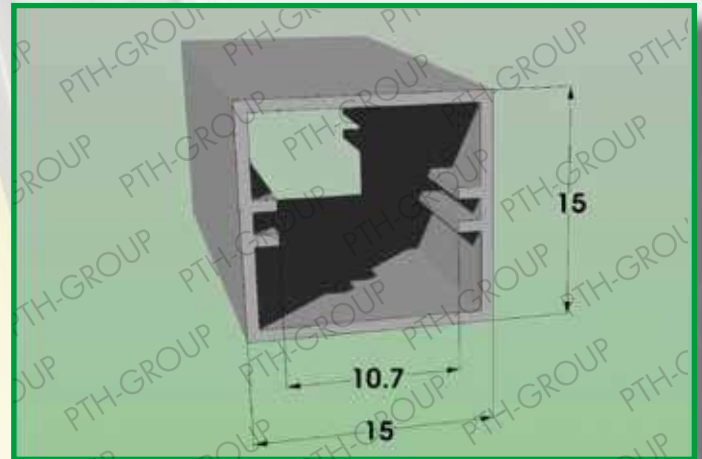
Profile 1010.214

Material: POLYCARBONATE CLEAR / OPAL



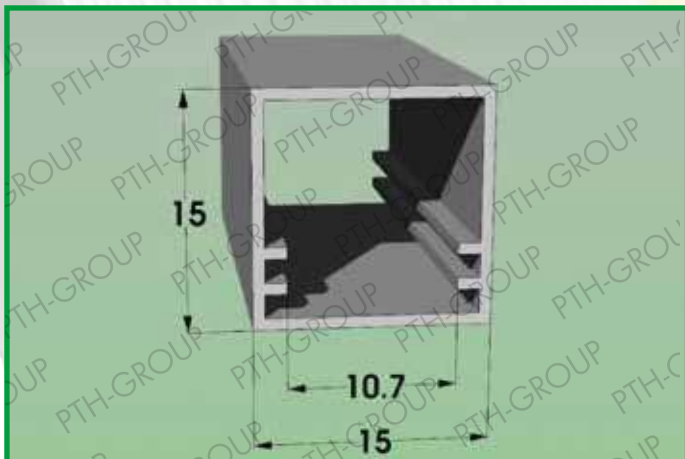
Profile 1010.117

Material: POLYCARBONATE CLEAR / OPAL



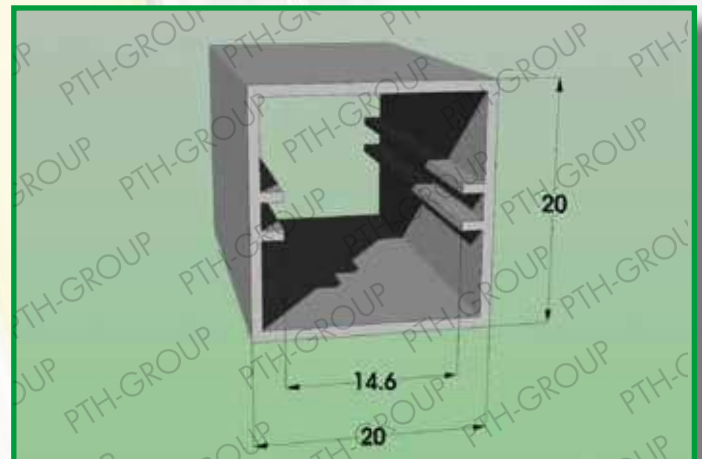
Profile 1010.200

Material: POLYCARBONATE CLEAR / OPAL



Profile 1010.118

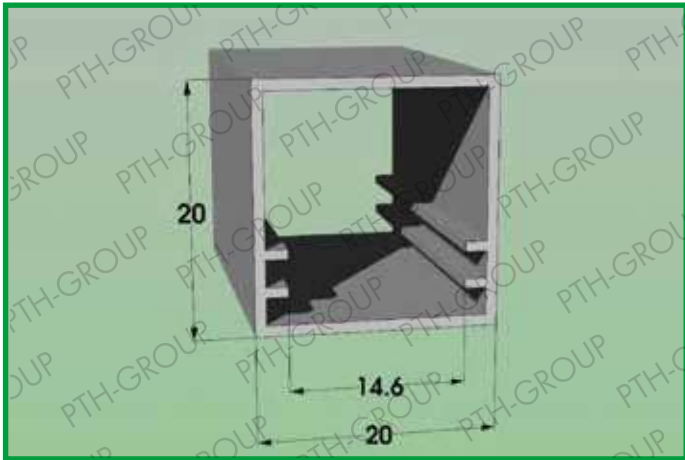
Material: POLYCARBONATE CLEAR / OPAL



CLOSED SECTIONS

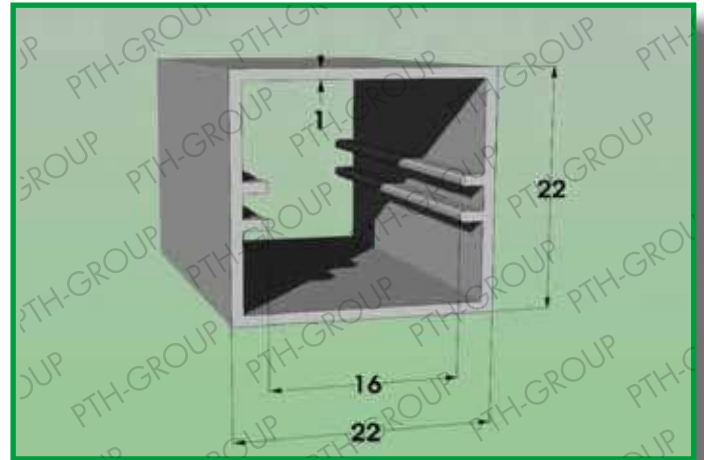
Profile 1010.201

Material: POLYCARBONATE CLEAR / OPAL



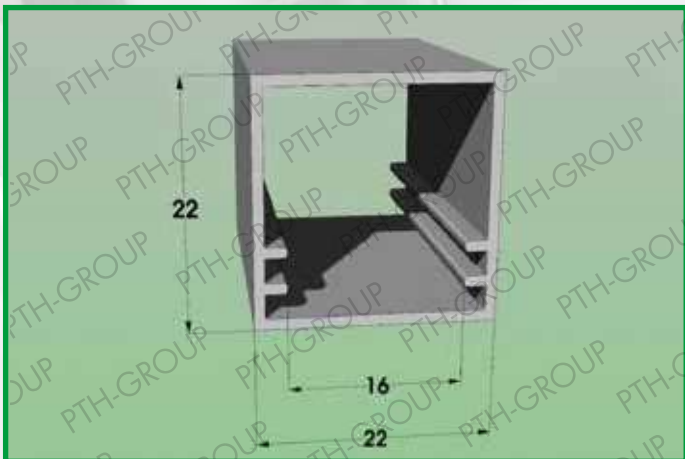
Profile 1010.57

Material: POLYCARBONATE CLEAR / OPAL



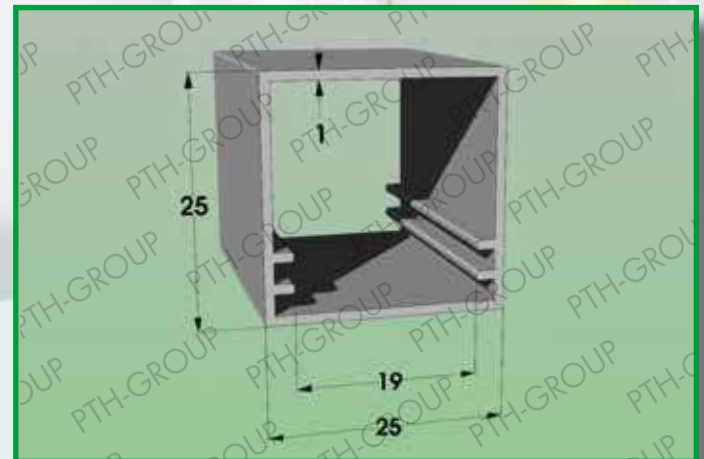
Profile 1010.199

Material: POLYCARBONATE CLEAR / OPAL



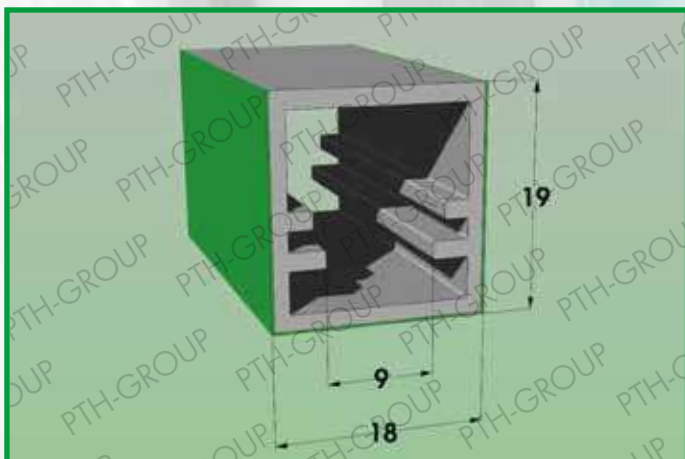
Profile 1010.245

Material: POLYCARBONATE CLEAR / OPAL



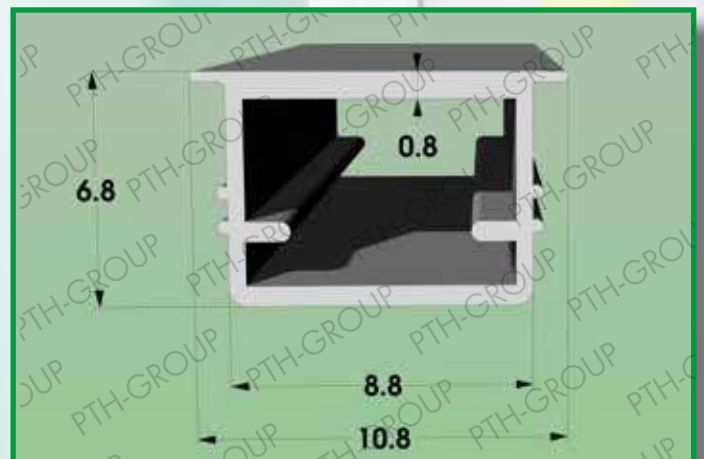
Profile 1010.227

Material: POLYCARBONATE CLEAR / OPAL / SATIN SBB



Profile 1010.446

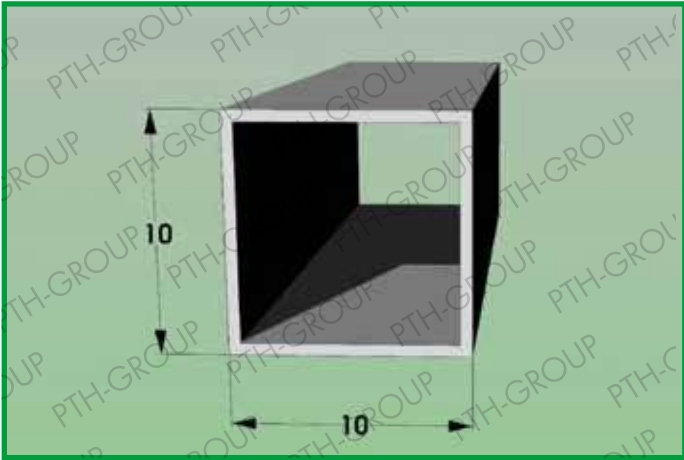
Material: POLYCARBONATE CLEAR / OPAL



CLOSED SECTIONS

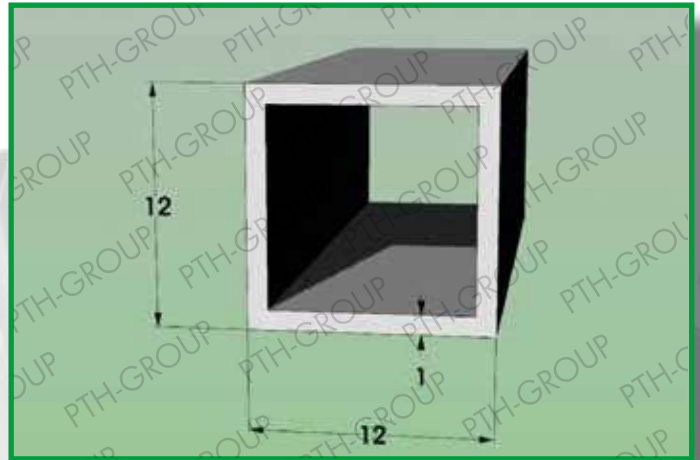
Profile 1010.33

Material: POLYCARBONATE CLEAR / OPAL



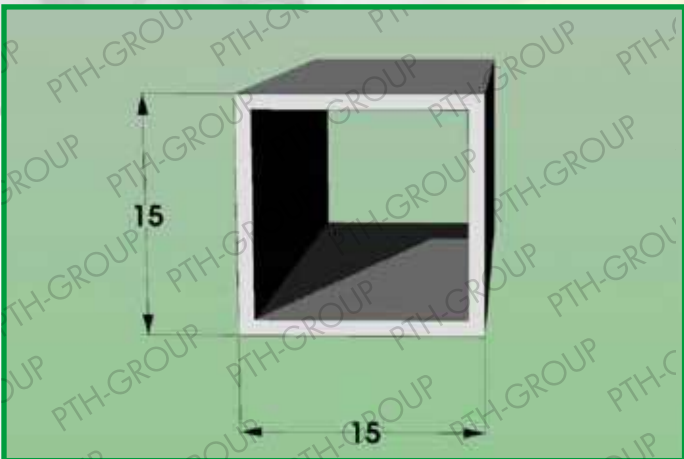
Profile 1010.130

Material: POLYCARBONATE CLEAR / OPAL



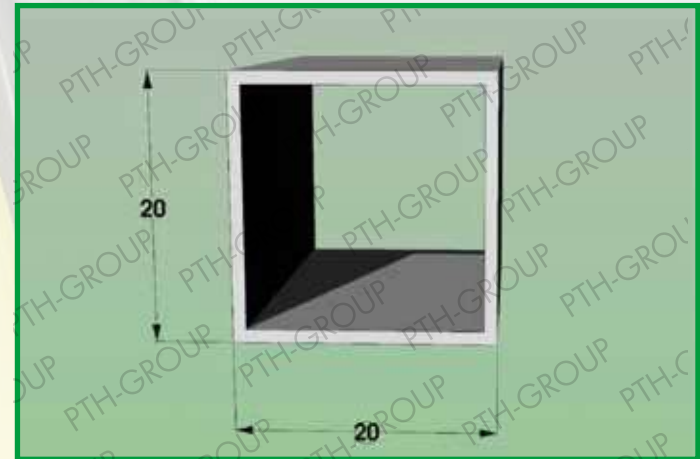
Profile 1010.34

**Material: POLYCARBONATE CLEAR / OPAL
PMMA SATIN**



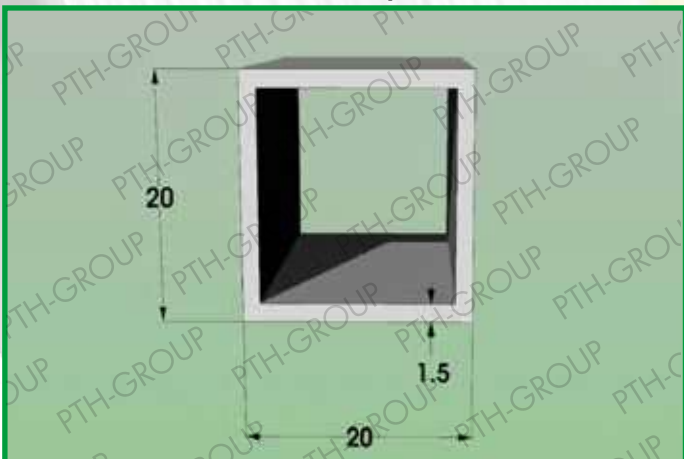
Profile 1010.35

**Material: POLYCARBONATE CLEAR / OPAL
PMMA CLEAR / SATIN**



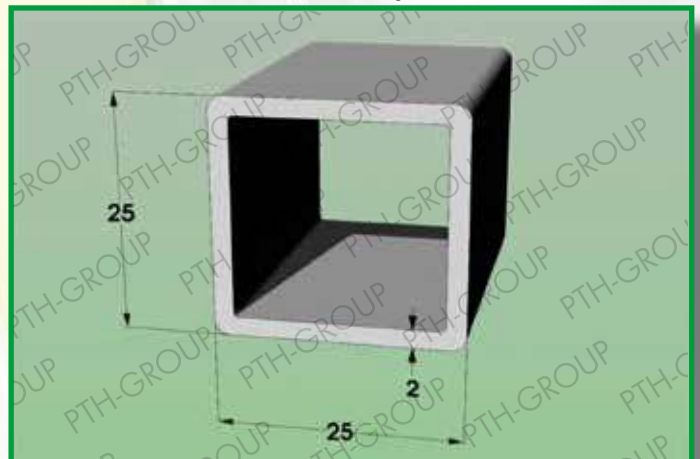
Profile 1010.67

**Material: POLYCARBONATE CLEAR / OPAL
PMMA CLEAR / SATIN**



Profile 1010.108

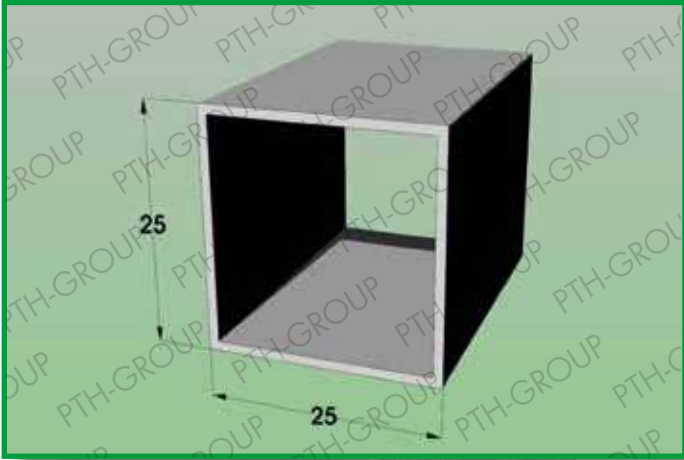
**Material: POLYCARBONATE CLEAR / OPAL
PMMA CLEAR / SATIN**



CLOSED SECTIONS

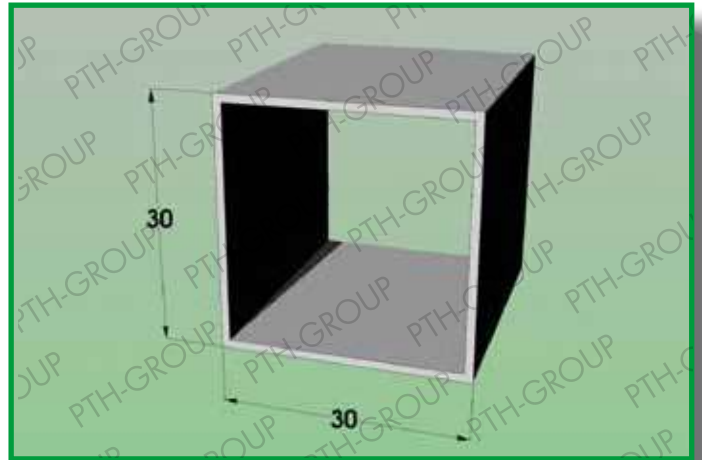
Profile 1010.195

**Material: POLYCARBONATE CLEAR / OPAL
PMMA CLEAR / SATIN**



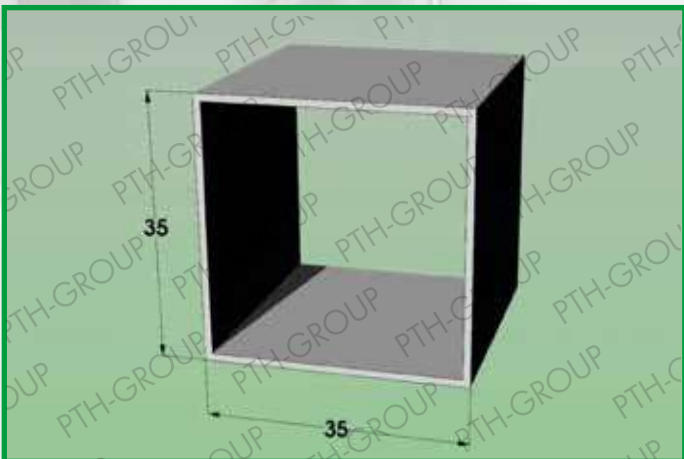
Profile 1010.194

Material: POLYCARBONATE CLEAR / OPAL



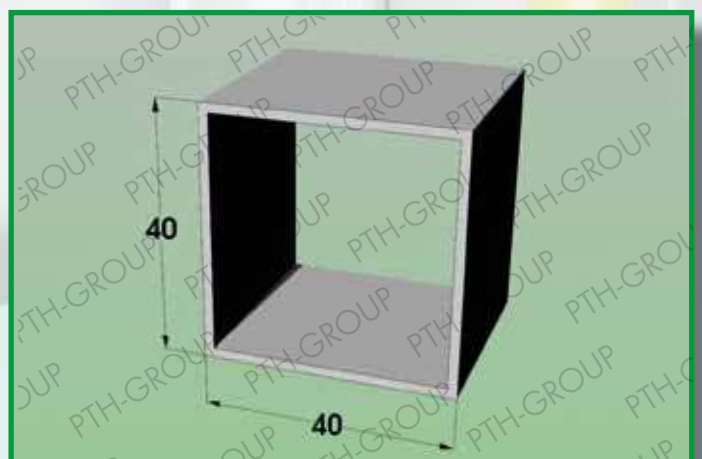
Profile 1010.193

Material: POLYCARBONATE CLEAR / OPAL



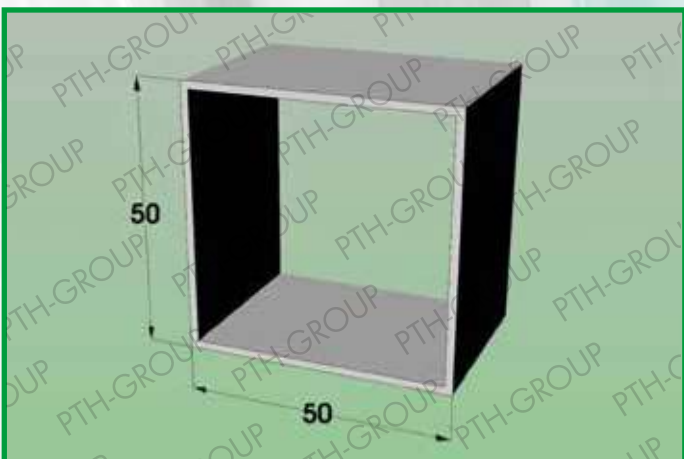
Profile 1010.192

Material: POLYCARBONATE CLEAR / OPAL



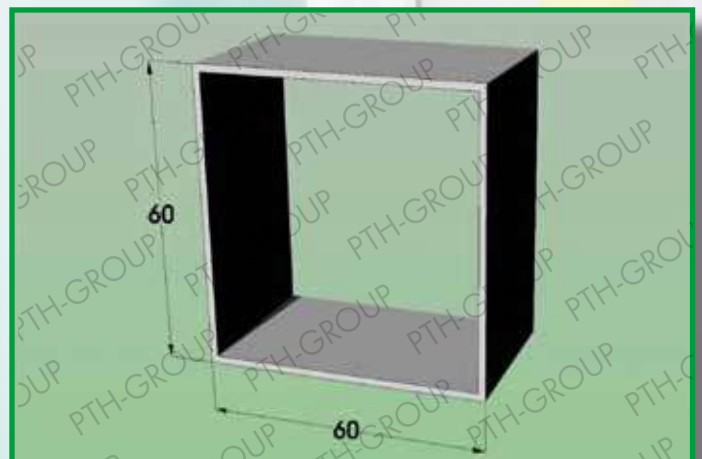
Profile 1010.191

Material: POLYCARBONATE CLEAR / OPAL



Profile 1010.190

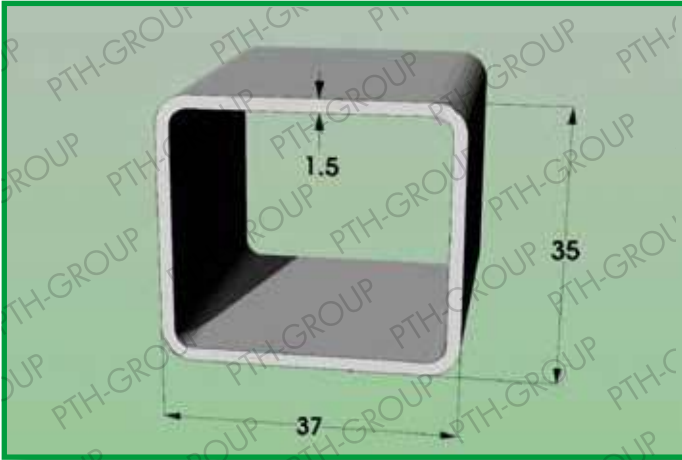
Material: POLYCARBONATE CLEAR / OPAL



CLOSED SECTIONS

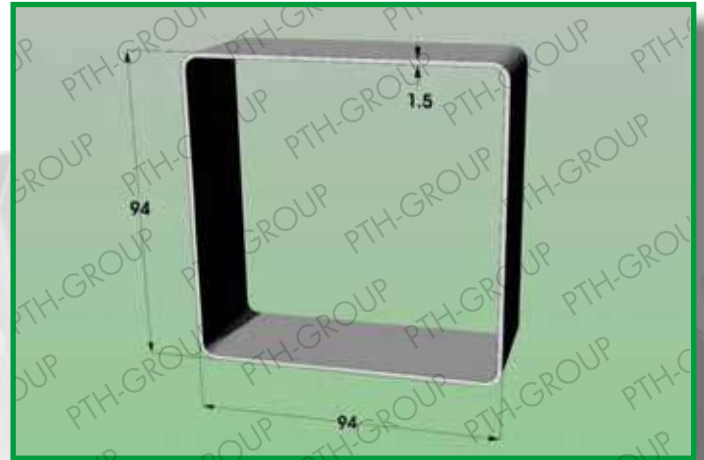
Profile 1010.22

Material: POLYCARBONATE CLEAR / OPAL



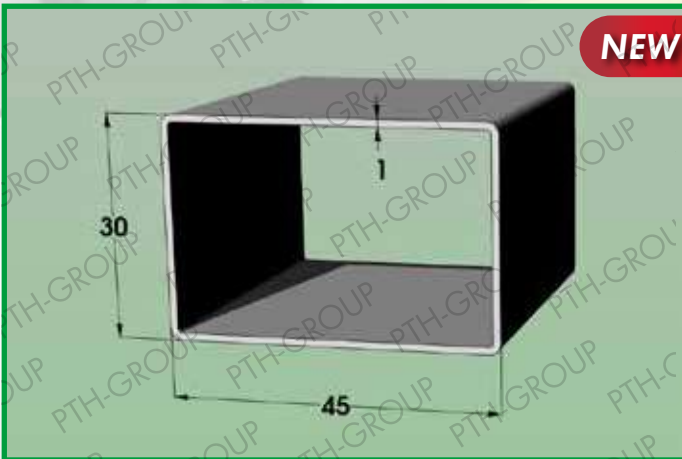
Profile 1010.58

Material: PMMA SATIN



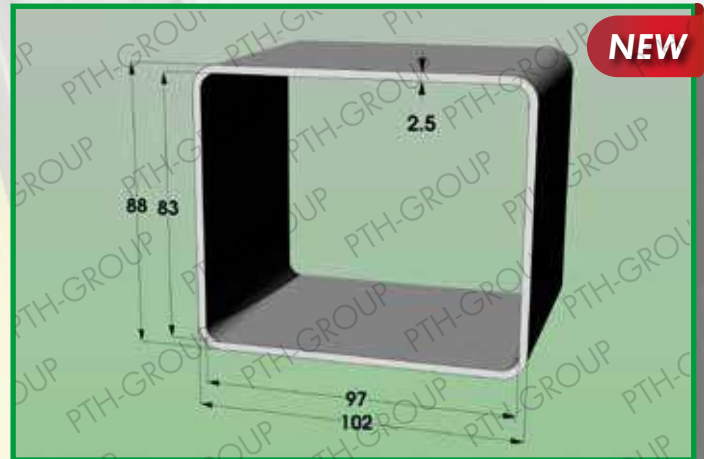
Profile 1010.474

**Material: POLYCARBONATE CLEAR / OPAL
PMMA SATIN**



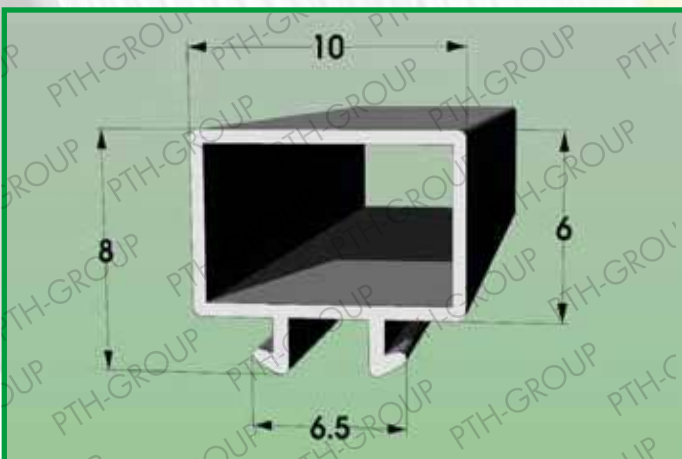
Profile 1010.510

**Material: POLYCARBONATE CLEAR / OPAL
PMMA SATIN**



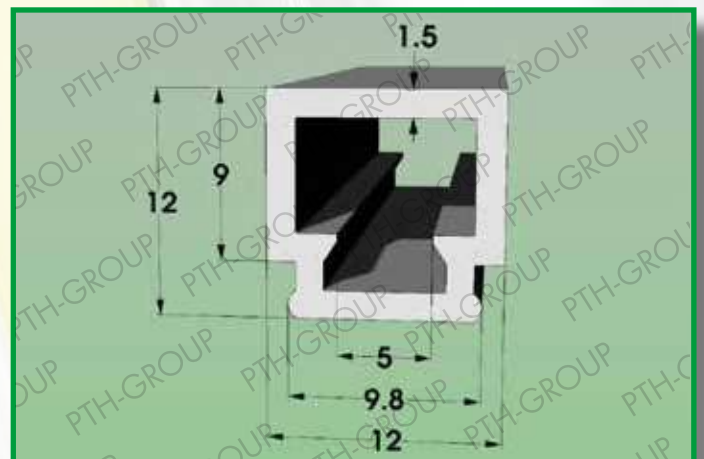
Profile 1010.21

Material: POLYCARBONATE CLEAR / OPAL



Profile 1010.398

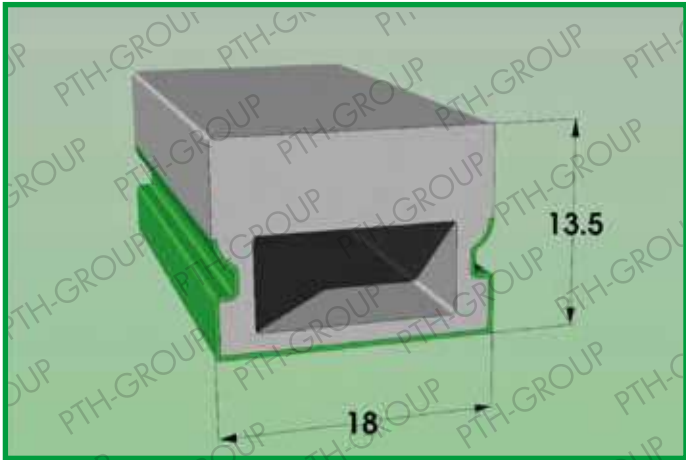
Material: POLYCARBONATE CLEAR / OPAL



CLOSED SECTIONS

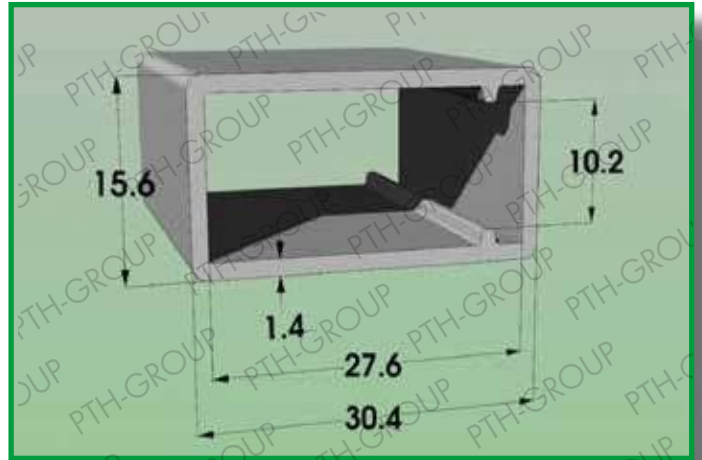
Profile 1010.251

**Material: POLYCARBONATE CLEAR / OPAL / SATIN SBB
PMMA CLEAR / SATIN SBB**



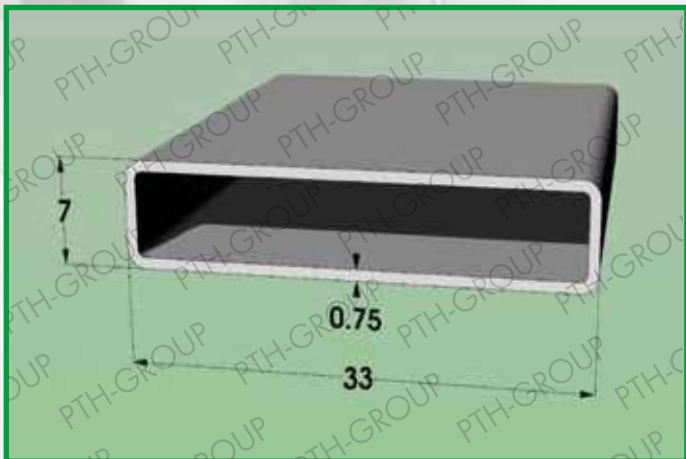
Profile 1010.334

Material: POLYCARBONATE CLEAR / OPAL



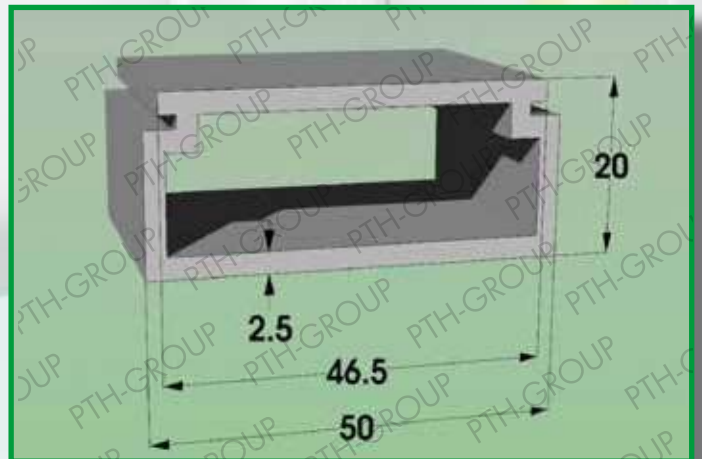
Profile 1010.93

Material: POLYCARBONATE CLEAR / OPAL



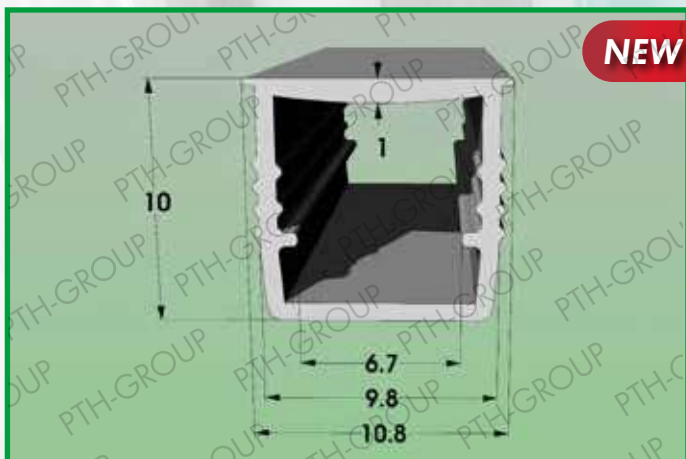
Profile 1010.352

**Material: POLYCARBONATE CLEAR / OPAL
PMMA CLEAR / SATIN**



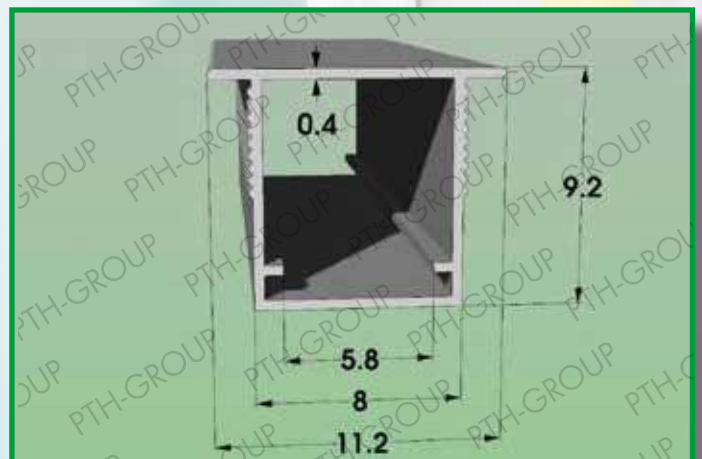
Profile 1010.400

Material: POLYCARBONATE CLEAR / OPAL / SATIN SBB



Profile 1010.381

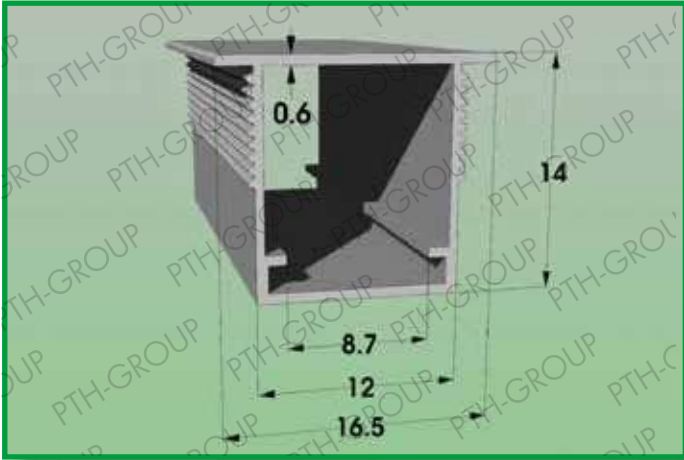
Material: POLYCARBONATE CLEAR / OPAL / SATIN SBB



CLOSED SECTIONS

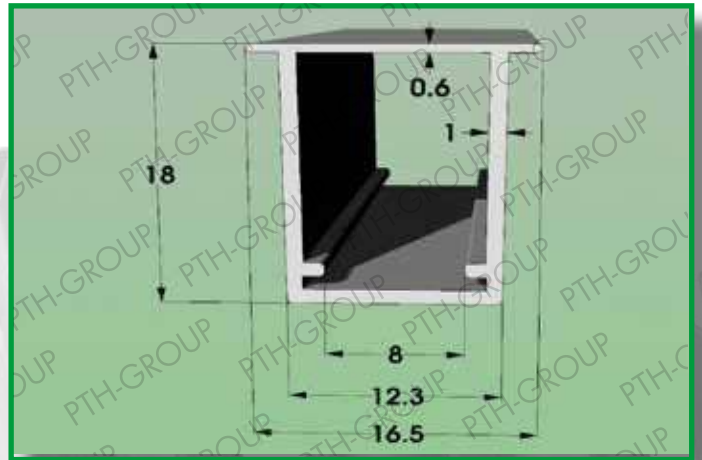
Profile 1010.373

Material: POLYCARBONATE CLEAR / OPAL



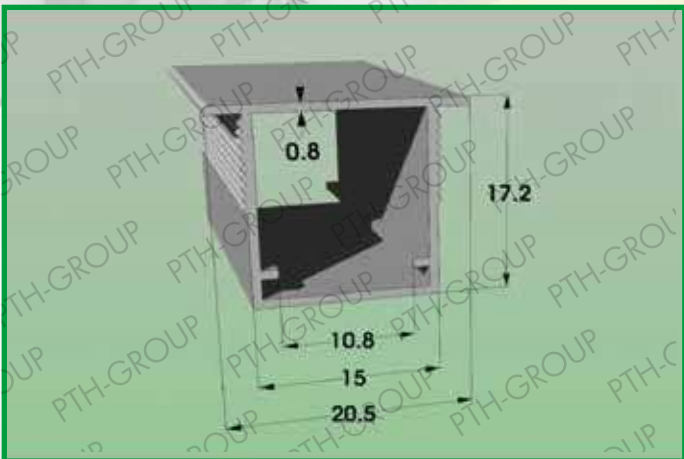
Profile 1010.409

Material: POLYCARBONATE CLEAR / OPAL



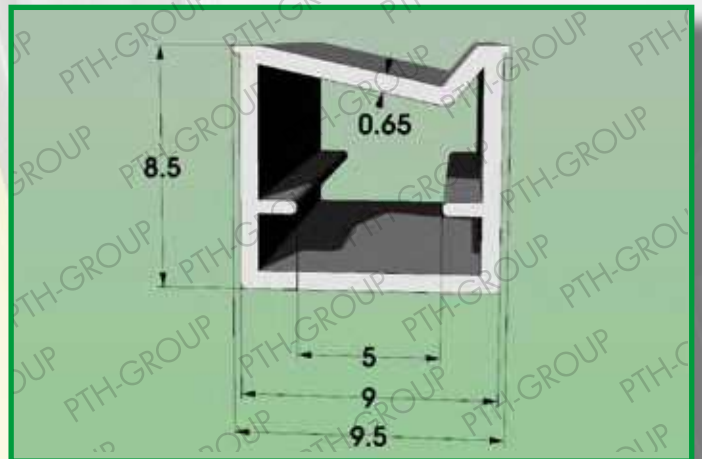
Profile 1010.374

Material: POLYCARBONATE CLEAR / OPAL



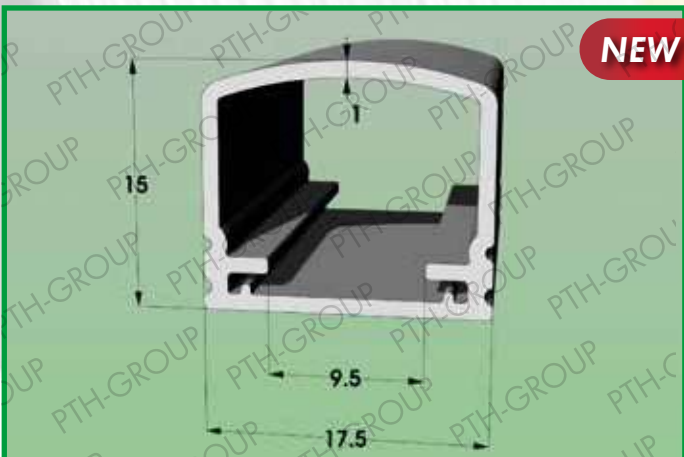
Profile 1010.432

Material: POLYCARBONATE CLEAR / OPAL



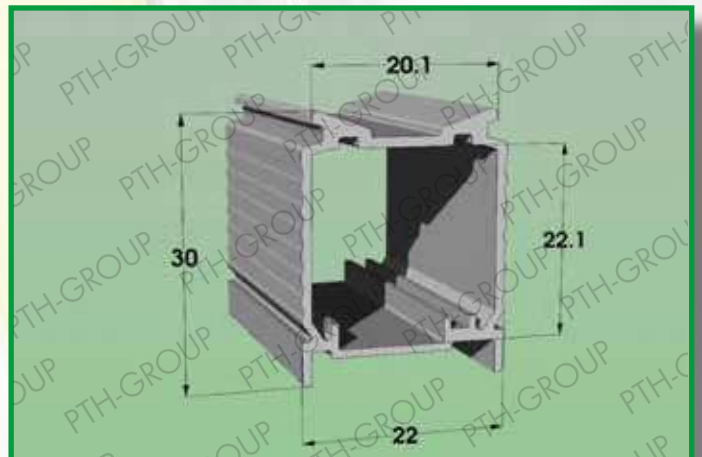
Profile 1010.508

Material: POLYCARBONATE CLEAR / OPAL



Profile 1010.64

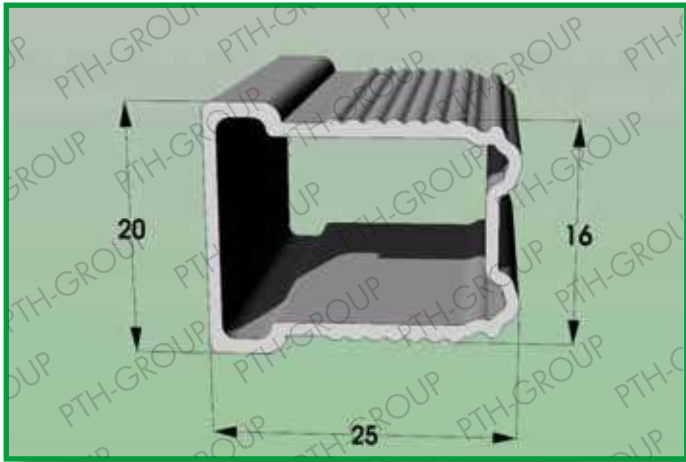
Material: POLYCARBONATE CLEAR / OPAL



CLOSED SECTIONS

Profile 1010.01

Material: POLYCARBONATE CLEAR / OPAL



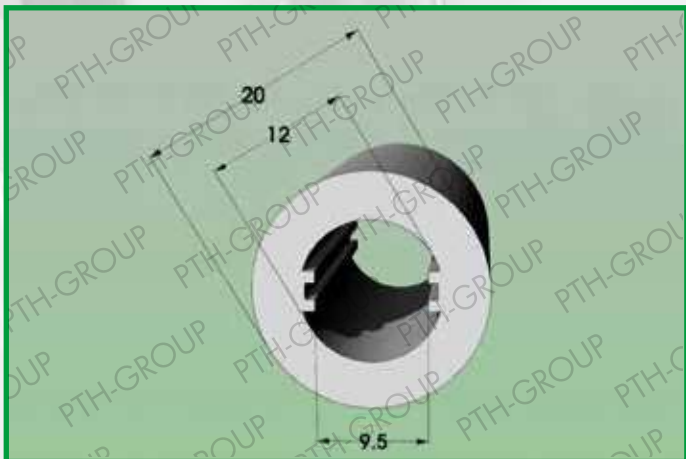
Profile 1010.114

Material: POLYCARBONATE CLEAR / OPAL



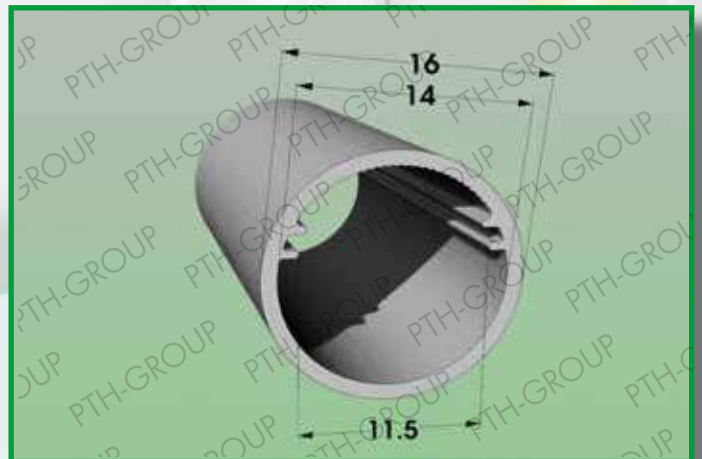
Profile 1010.84

Material: POLYCARBONATE CLEAR / OPAL



Profile 1010.148

Material: POLYCARBONATE CLEAR / OPAL



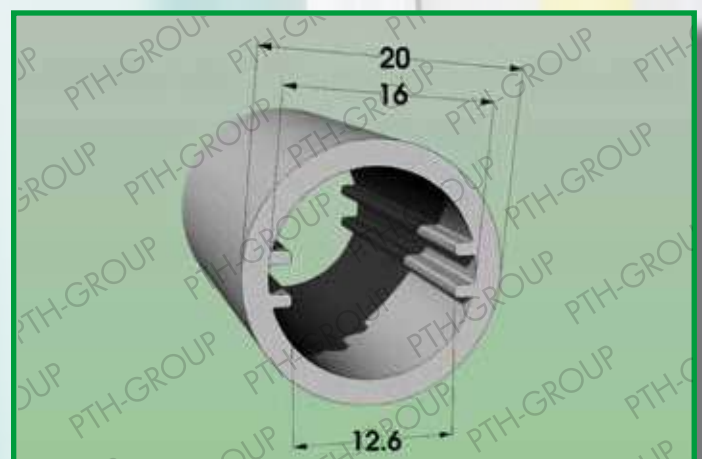
Profile 1010.470

Material: POLYCARBONATE CLEAR / OPAL



Profile 1010.283

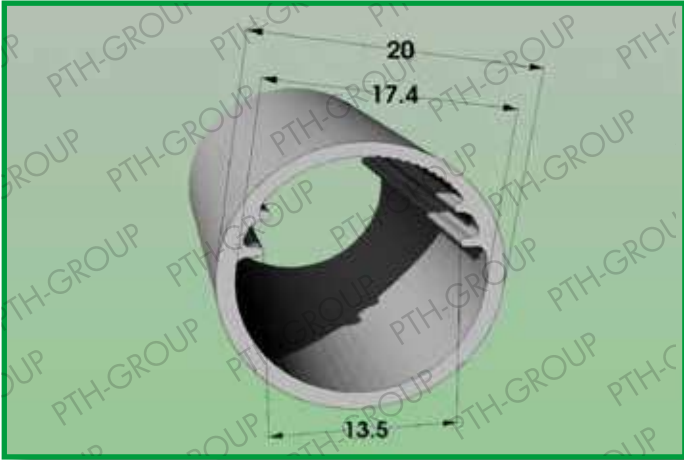
Material: POLYCARBONATE CLEAR / OPAL



CLOSED SECTIONS

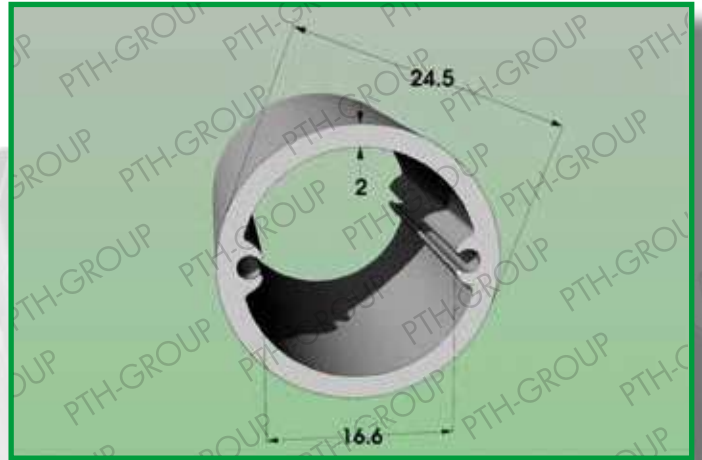
Profile 1010.262

Material: POLYCARBONATE CLEAR / OPAL



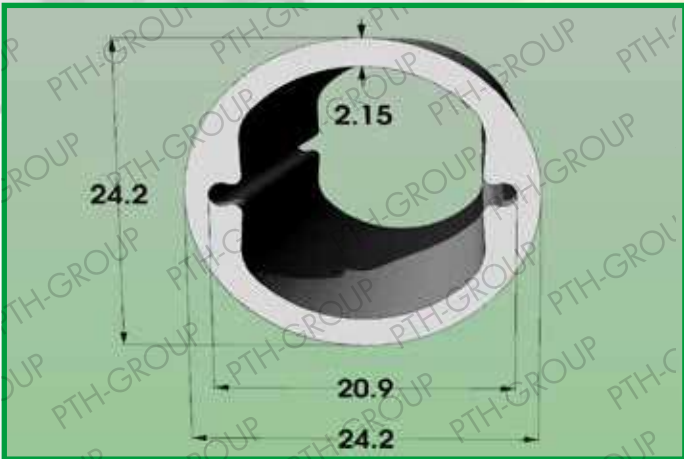
Profile 1010.250

Material: POLYCARBONATE CLEAR / OPAL



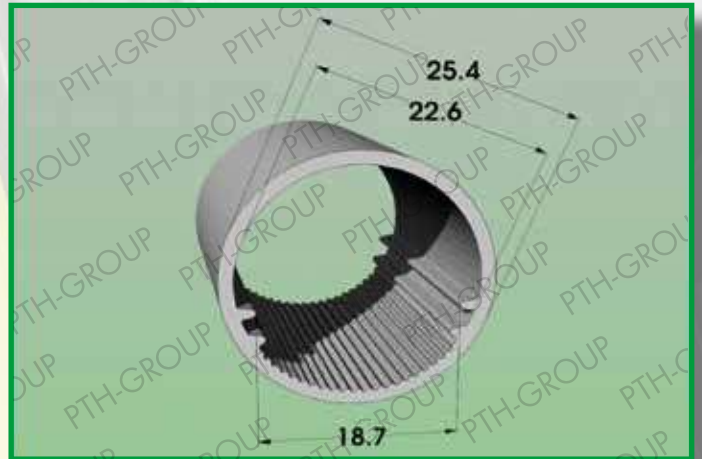
Profile 1010.416

Material: POLYCARBONATE CLEAR / OPAL



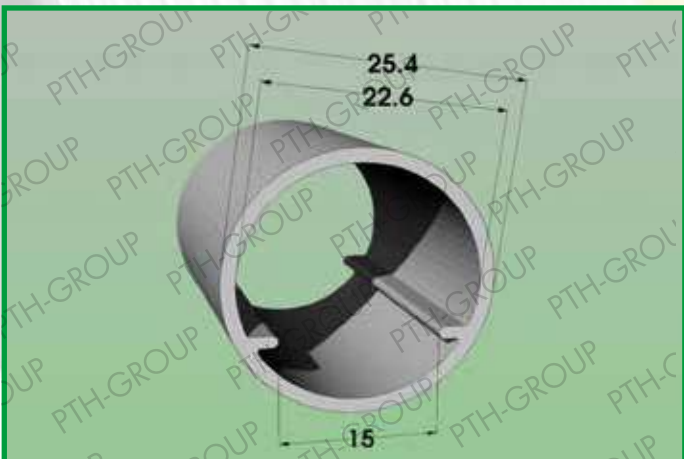
Profile 1010.59

Material: POLYCARBONATE CLEAR / OPAL



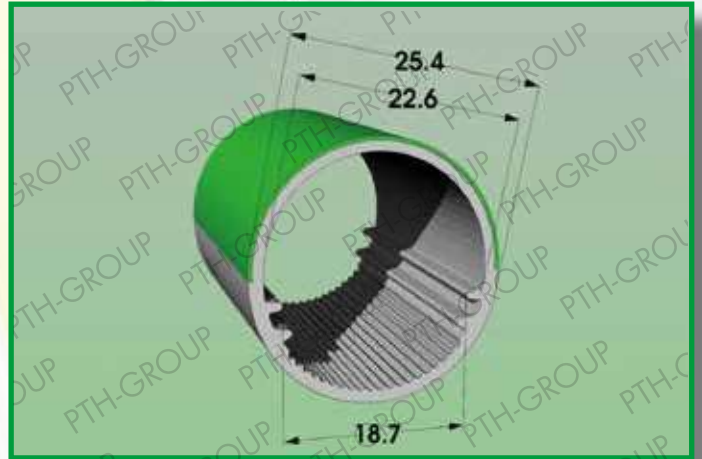
Profile 1010.145

Material: POLYCARBONATE CLEAR / OPAL



Profile 1010.99

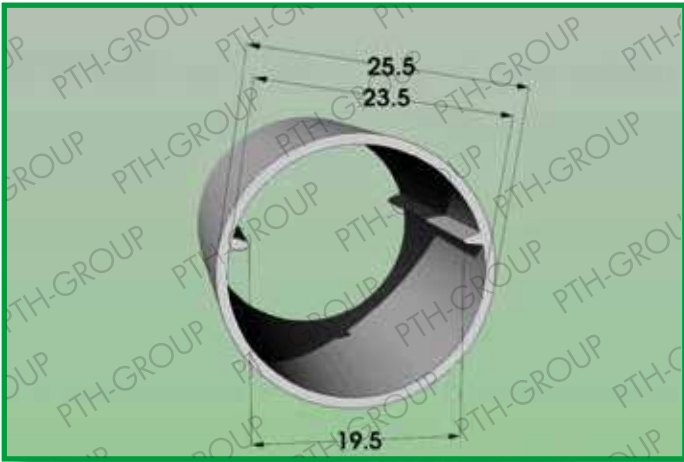
Material: POLYCARBONATE HALF CLEAR/WHITE



CLOSED SECTIONS

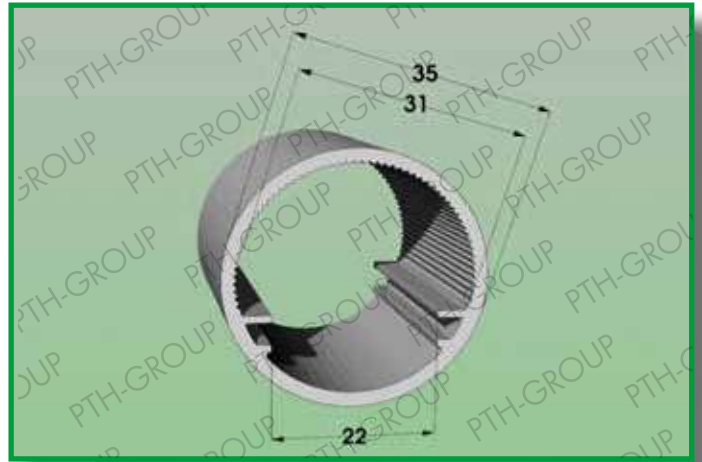
Profile 1010.254

Material: POLYCARBONATE CLEAR / OPAL



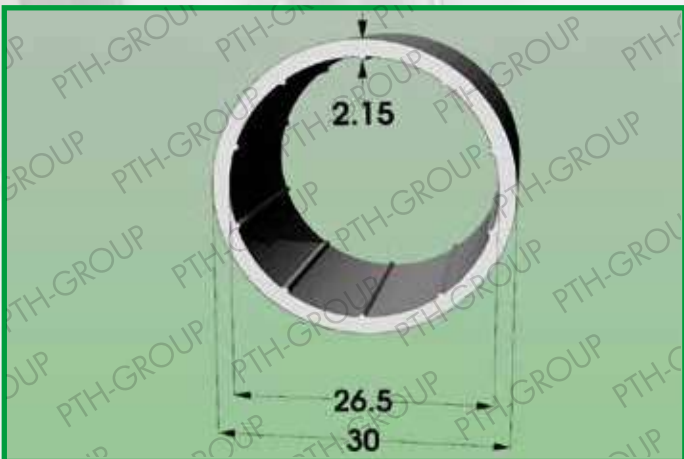
Profile 1010.221

Material: POLYCARBONATE CLEAR / OPAL



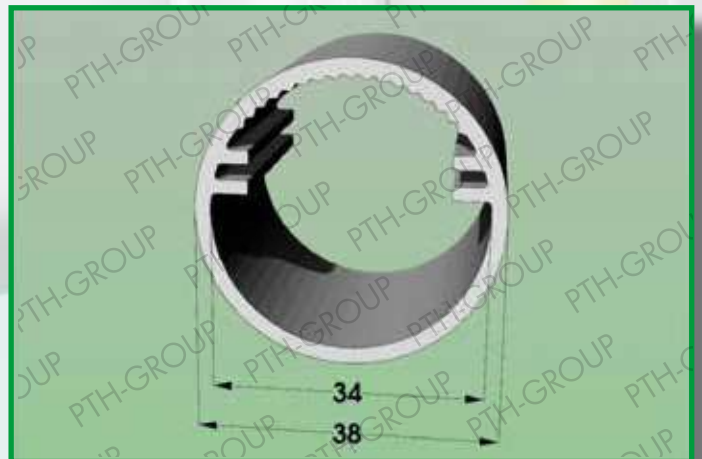
Profile 1010.152

Material: POLYCARBONATE



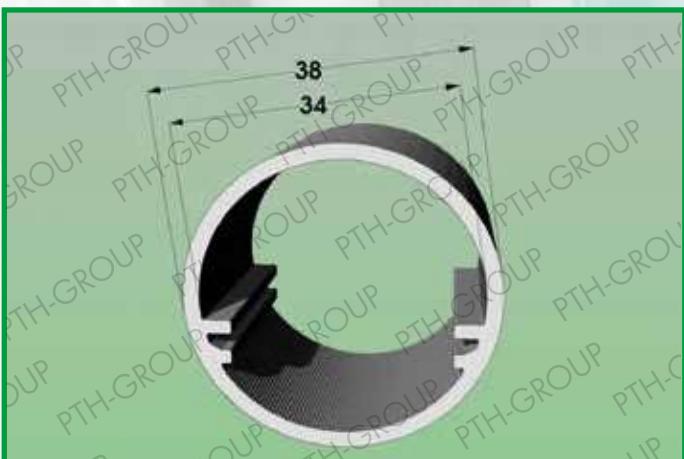
Profile 1010.45

Material: POLYCARBONATE CLEAR / OPAL



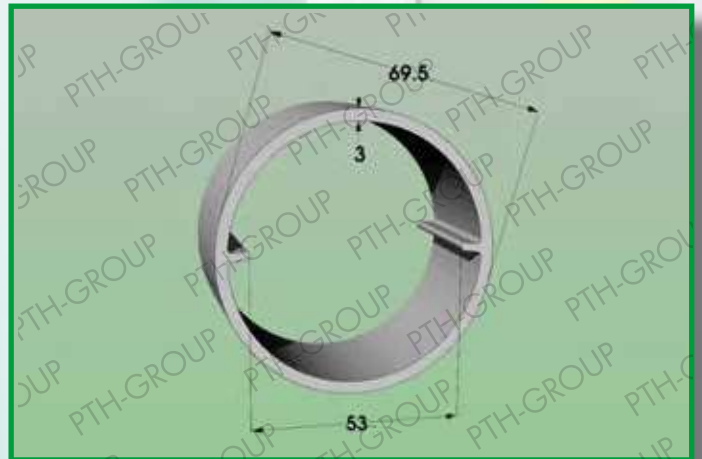
Profile 1010.53

Material: POLYCARBONATE CLEAR / OPAL



Profile 1010.248

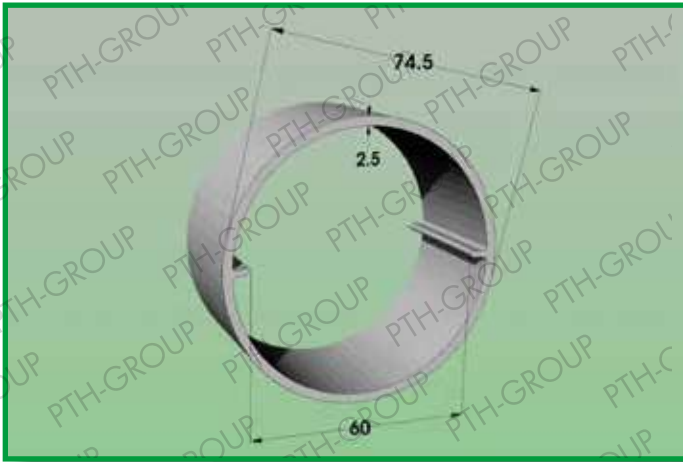
Material: POLYCARBONATE CLEAR / OPAL



CLOSED SECTIONS

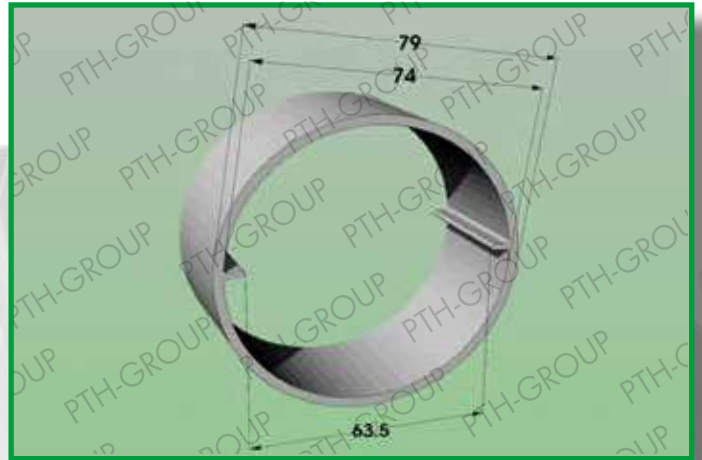
Profile 1010.244

Material: POLYCARBONATE CLEAR / OPAL



Profile 1010.249

Material: POLYCARBONATE CLEAR / OPAL



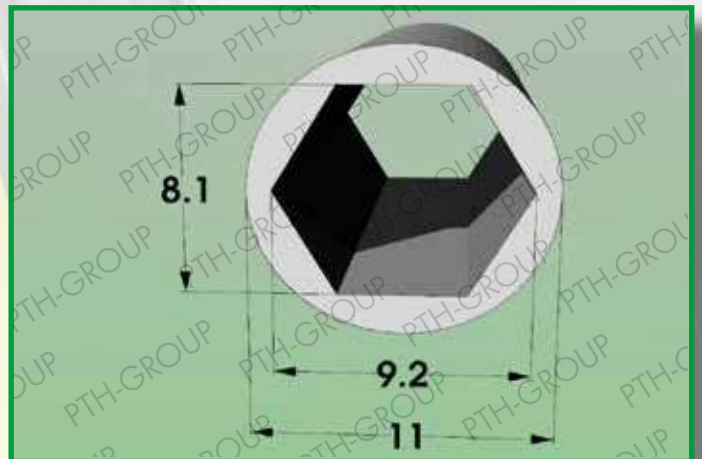
Profile 1010.476

**Material: POLYCARBONATE CLEAR / OPAL
PMMA SATIN**



Profile 1010.401

Material: POLYCARBONATE CLEAR / OPAL



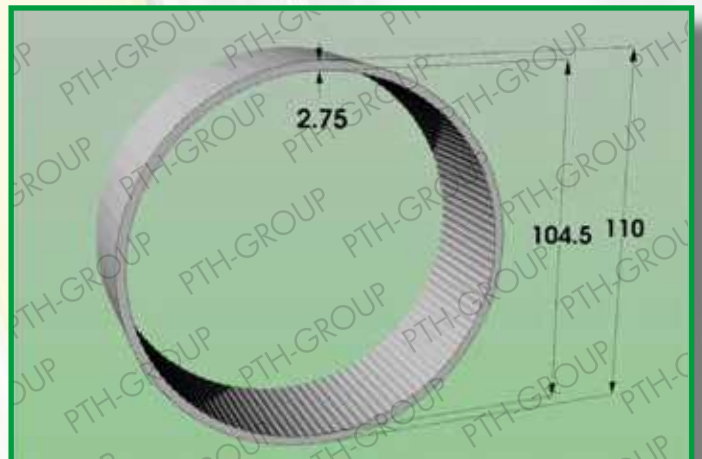
Profile 1010.44

Material: POLYCARBONATE CLEAR / OPAL



Profile 1010.382

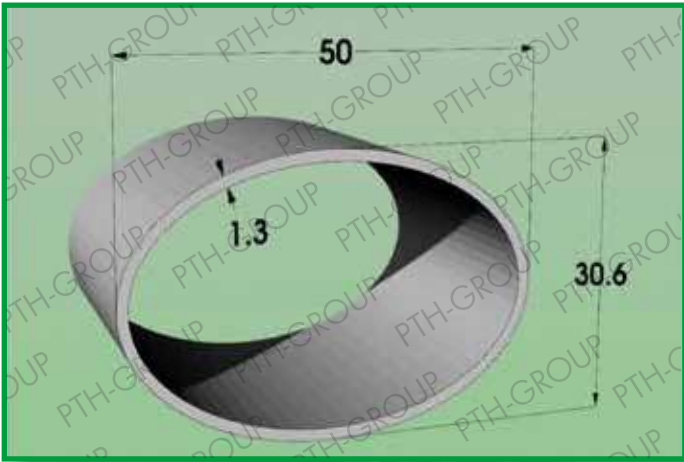
Material: POLYCARBONATE CLEAR / OPAL



CLOSED SECTIONS

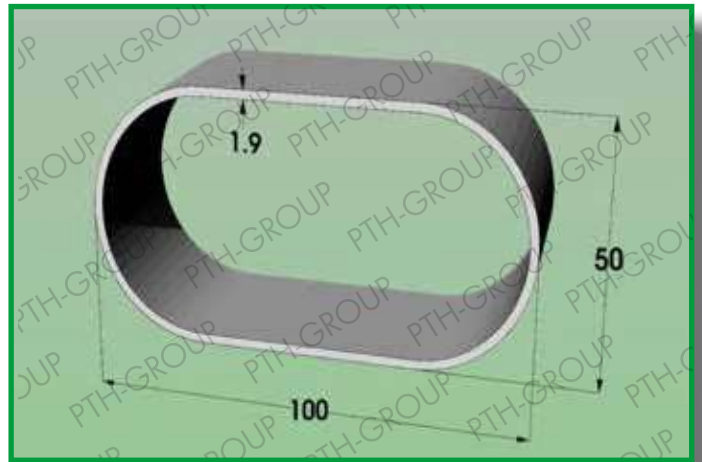
Profile 1010.157

Material: POLYCARBONATE CLEAR / OPAL



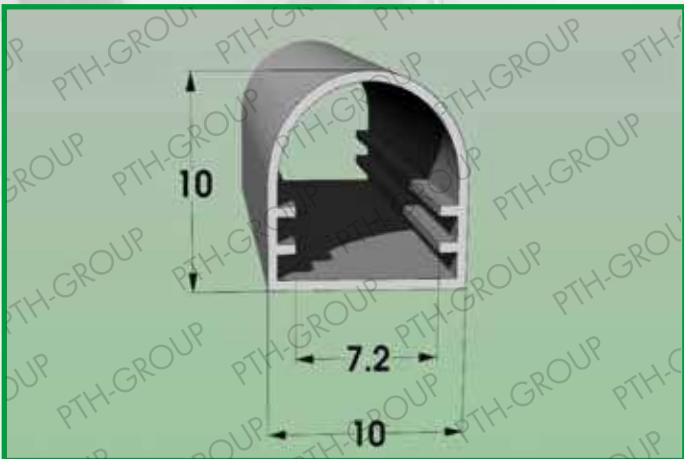
Profile 1010.16

Material: POLYCARBONATE CLEAR / OPAL



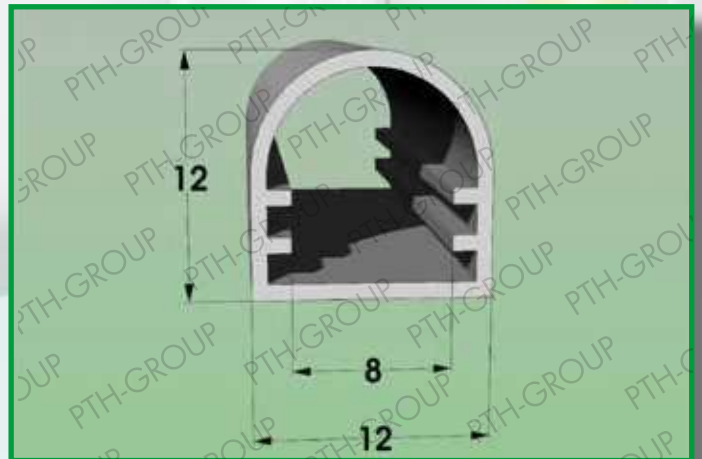
Profile 1010.205

Material: POLYCARBONATE CLEAR / OPAL



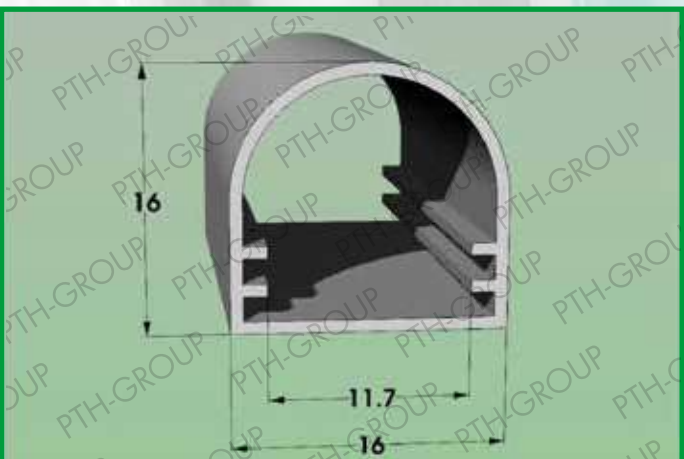
Profile 1010.204

Material: POLYCARBONATE CLEAR / OPAL



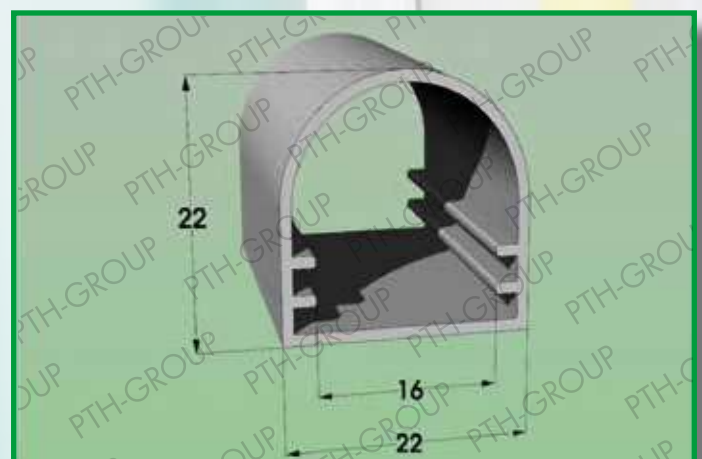
Profile 1010.203

Material: POLYCARBONATE CLEAR / OPAL



Profile 1010.202

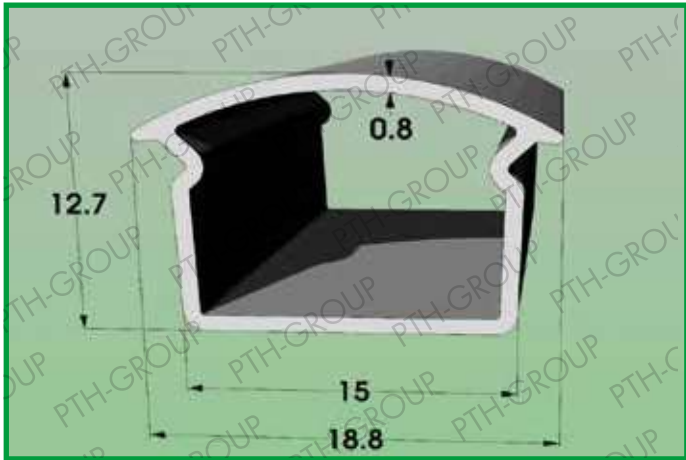
Material: POLYCARBONATE CLEAR / OPAL



CLOSED SECTIONS

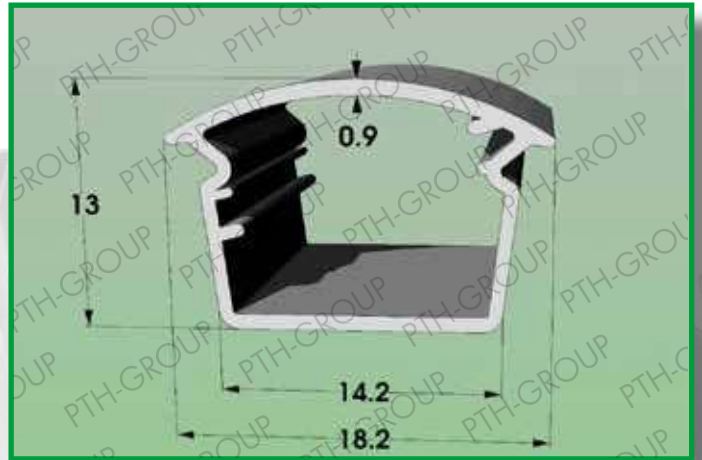
Profile 1010.422

Material: POLYCARBONATE CLEAR / OPAL



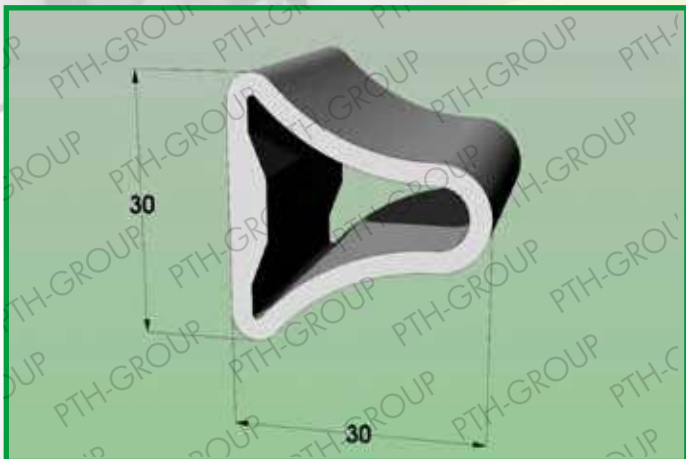
Profile 1010.435

Material: POLYCARBONATE CLEAR / OPAL



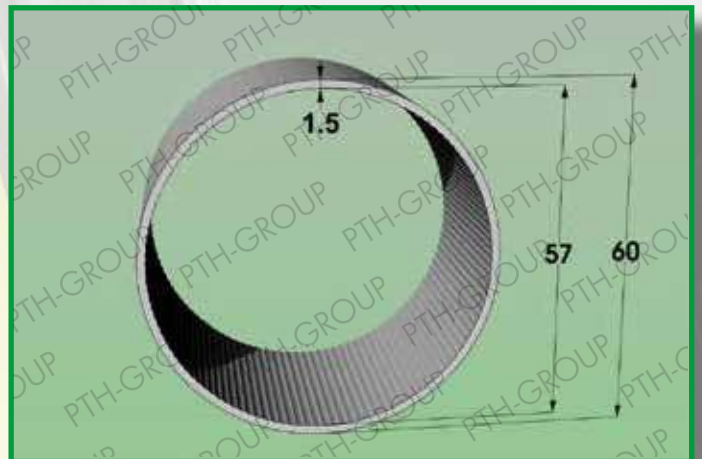
Profile 1010.110

Material: POLYCARBONATE CLEAR / OPAL



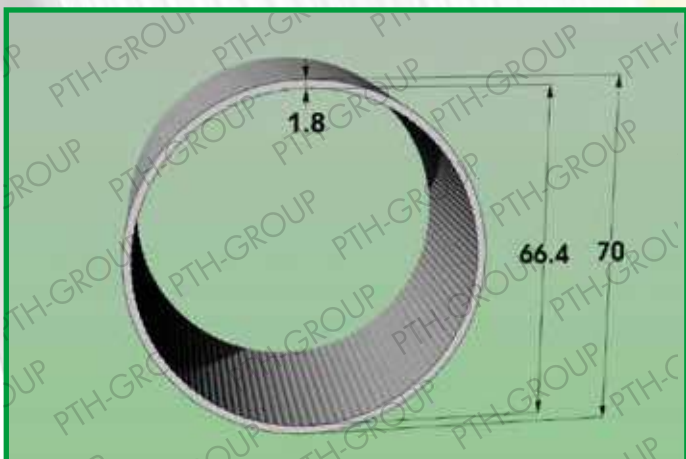
Profile 1010.454

Material: POLYCARBONATE CLEAR / OPAL



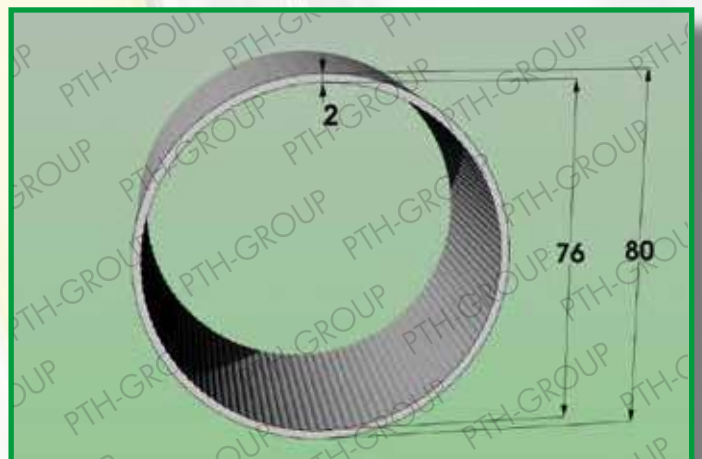
Profile 1010.455

Material: POLYCARBONATE CLEAR / OPAL

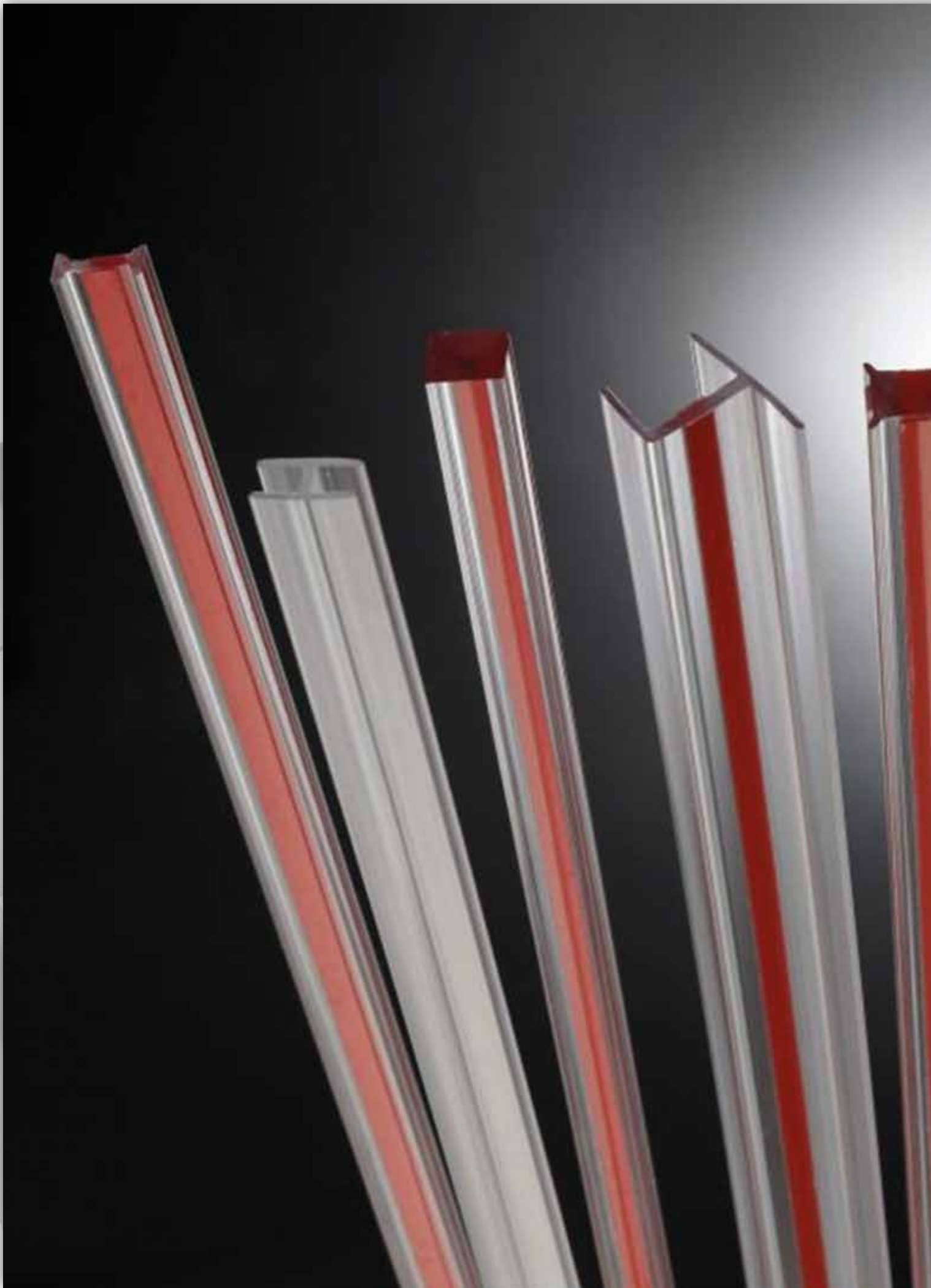


Profile 1010.456

Material: POLYCARBONATE CLEAR / OPAL





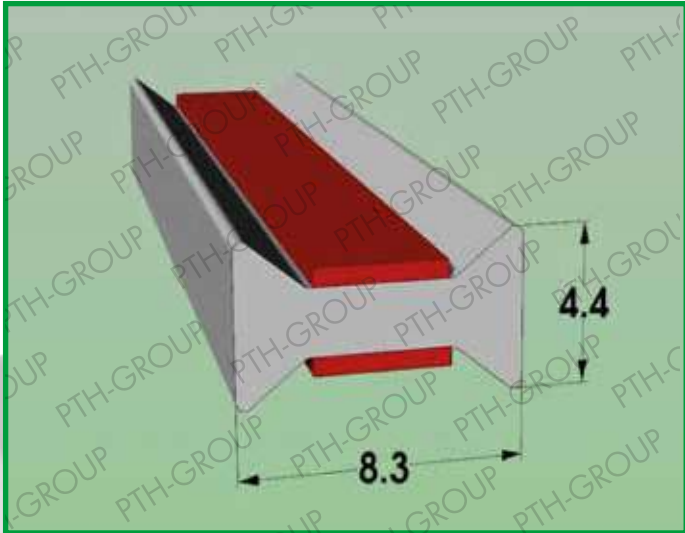


GLASS PARTITIONING PROFILES

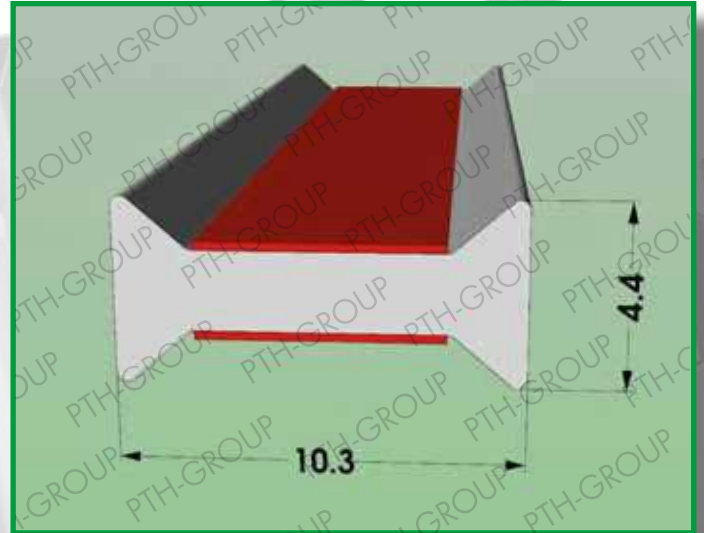


GLASS PARTITIONING PROFILES

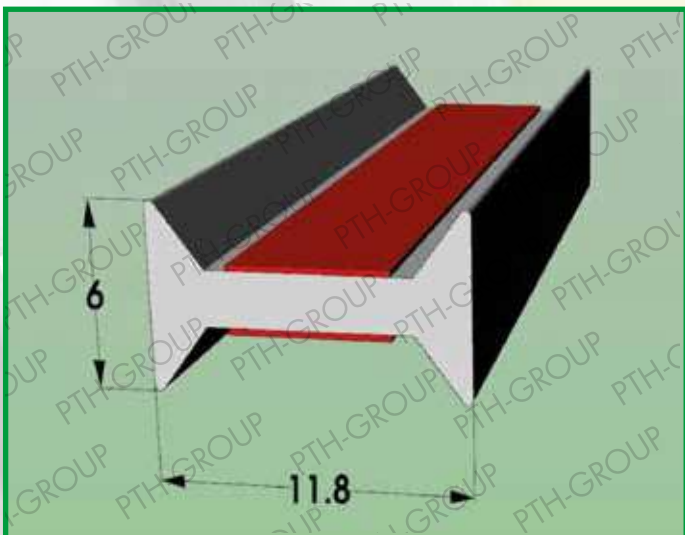
Profile 1010.187
Material: POLYCARBONATE



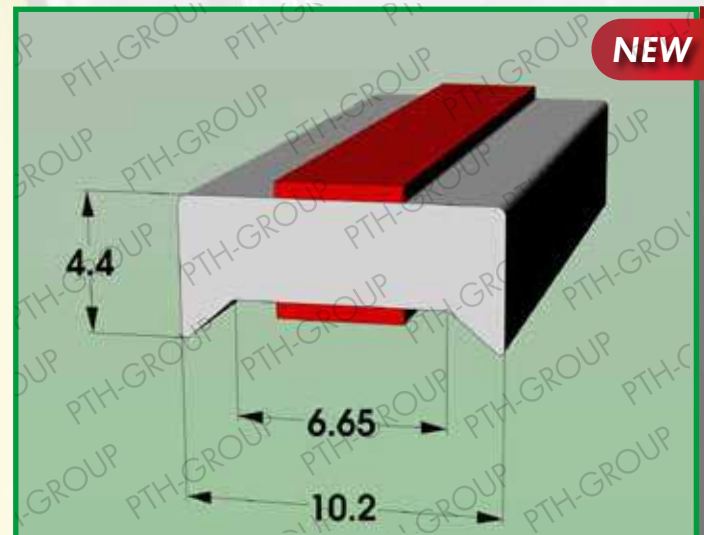
Profile 1010.17
Material: POLYCARBONATE



Profile 1010.95
Material: POLYCARBONATE

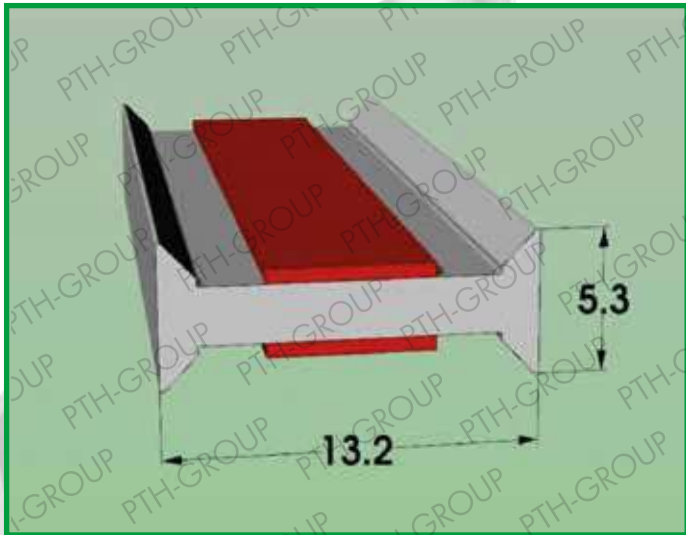


Profile 1010.498
Material: POLYCARBONATE

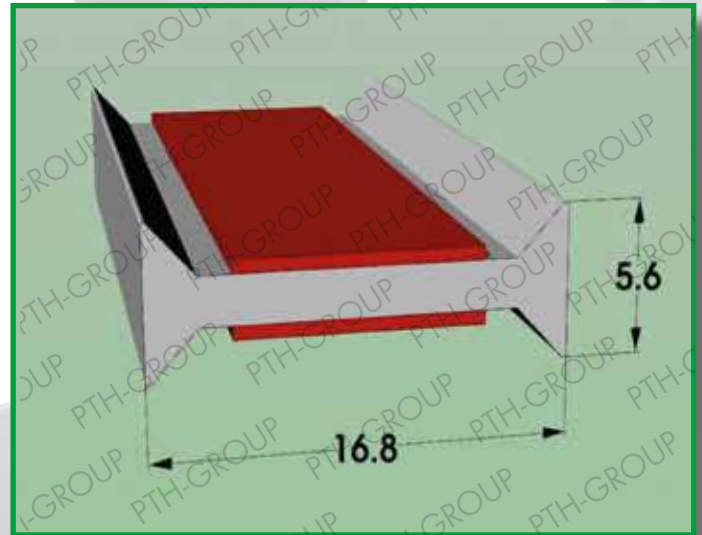


GLASS PARTITIONING PROFILES

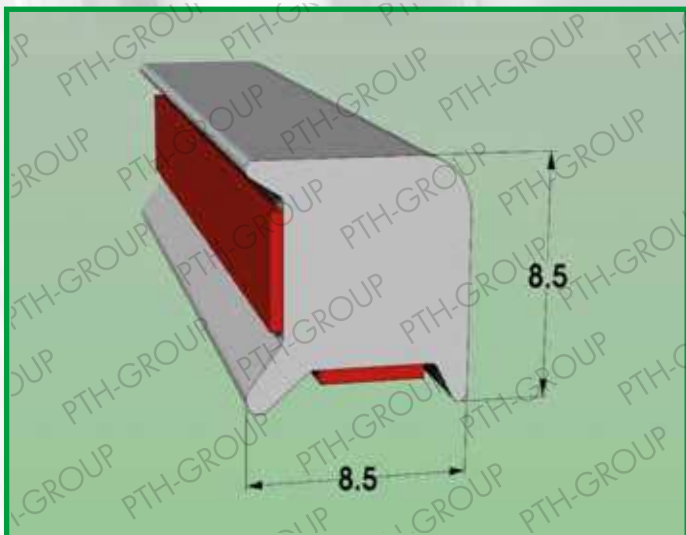
Profile 1010.230
Material: POLYCARBONATE



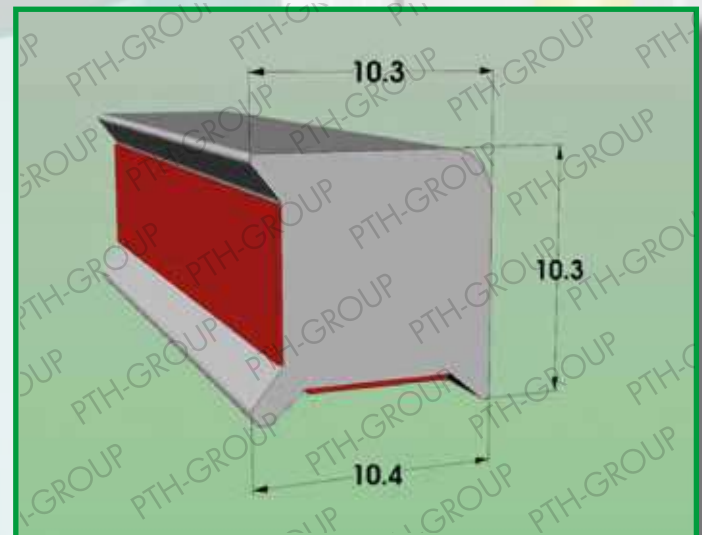
Profile 1010.257
Material: POLYCARBONATE



Profile 1010.186
Material: POLYCARBONATE

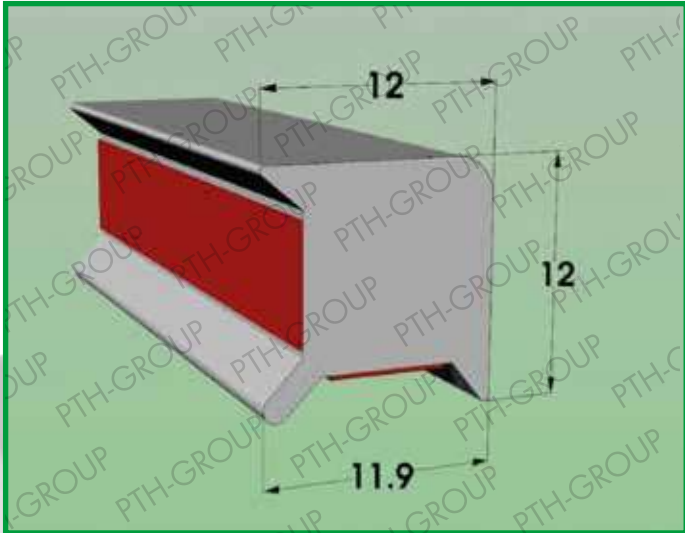


Profile 1010.19
Material: POLYCARBONATE

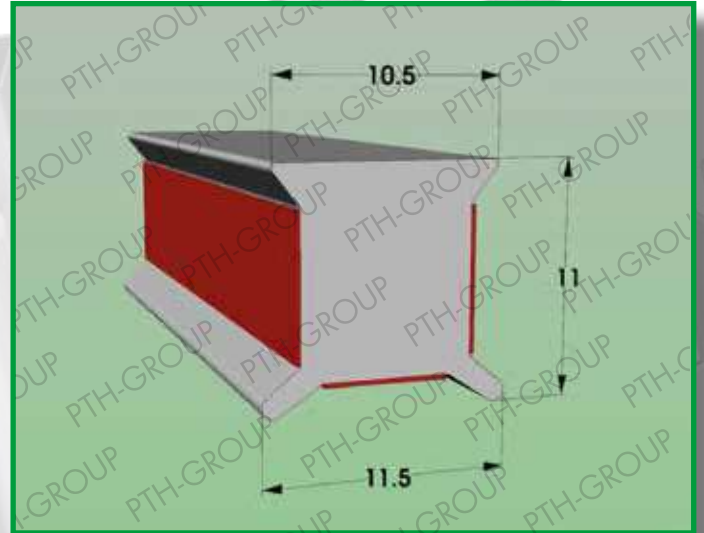


GLASS PARTITIONING PROFILES

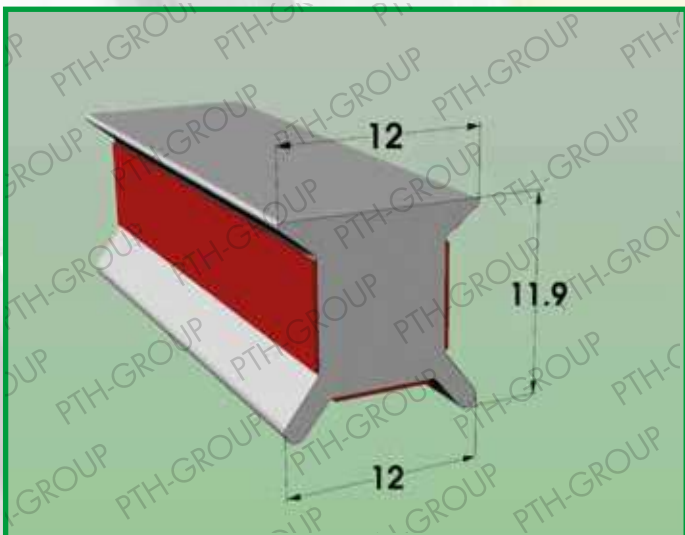
Profile 1010.100
Material: POLYCARBONATE



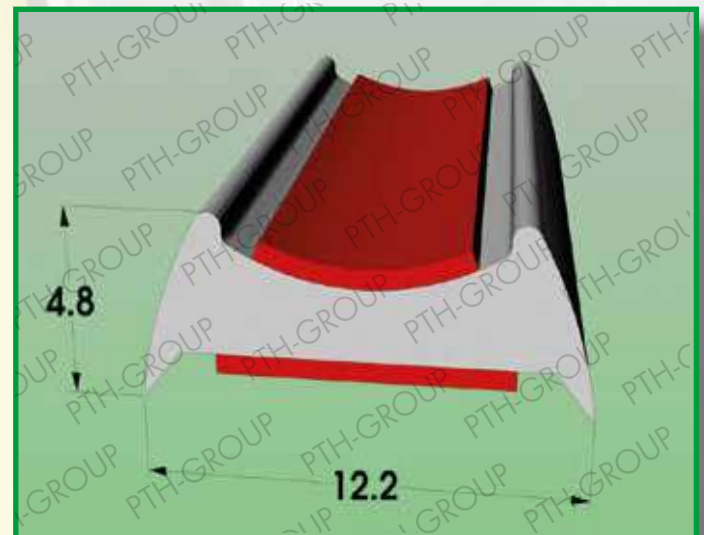
Profile 1010.18
Material: POLYCARBONATE



Profile 1010.101
Material: POLYCARBONATE

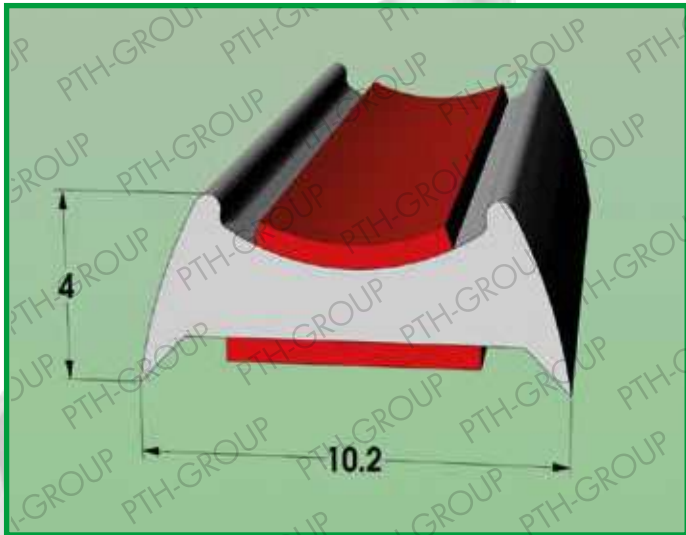


Profile 1010.425
Material: POLYCARBONATE

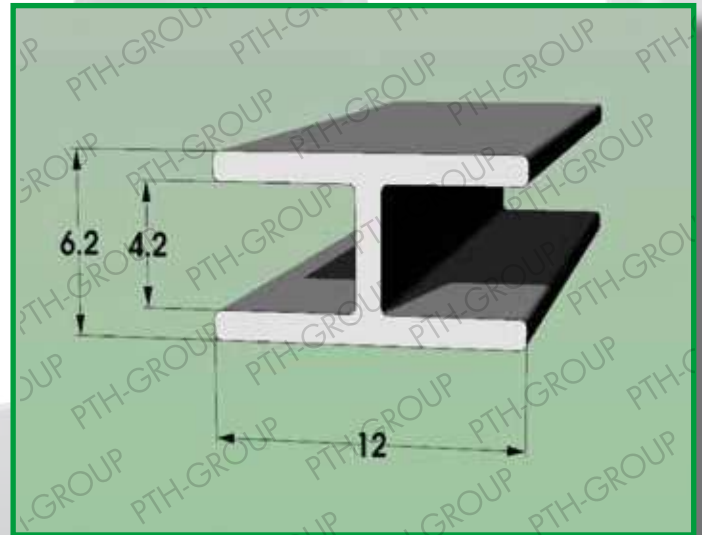


GLASS PARTITIONING PROFILES

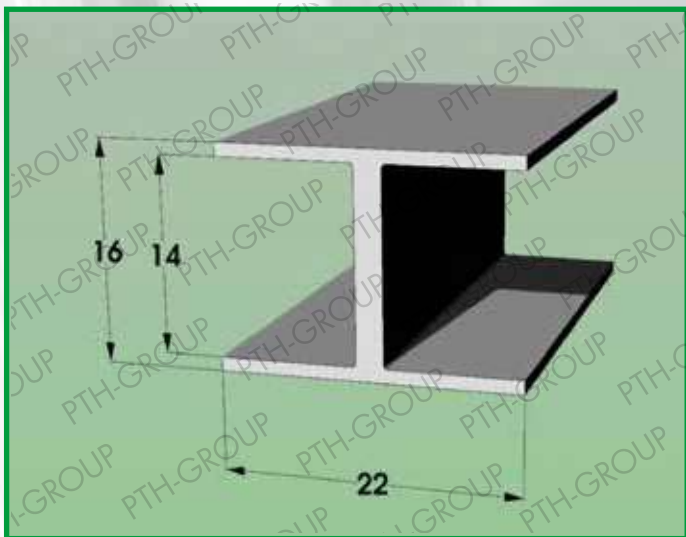
Profile 1010.426
Material: POLYCARBONATE



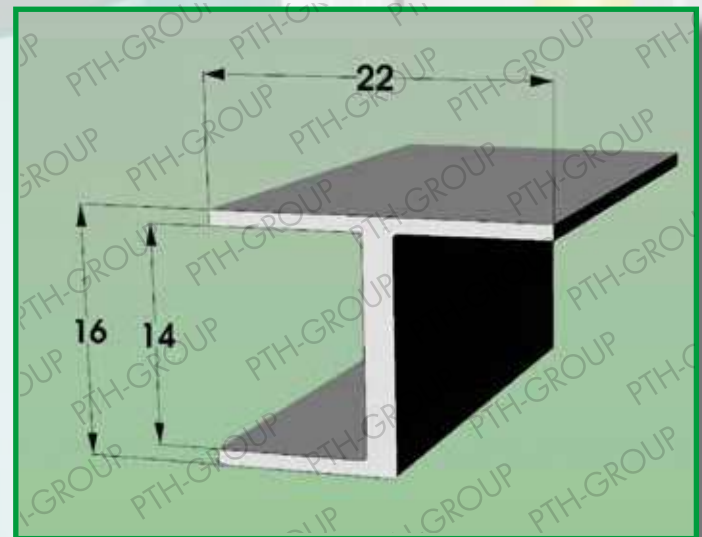
Profile 1010.46
Material: POLYCARBONATE



Profile 1010.104
Material: POLYCARBONATE

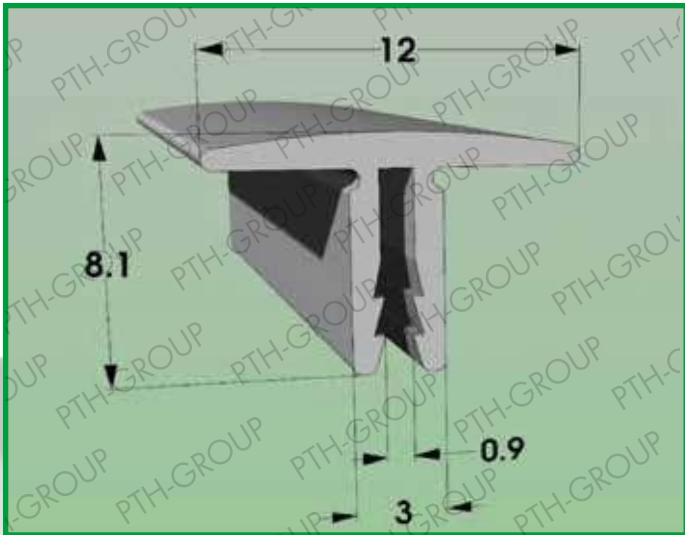


Profile 1010.105
Material: POLYCARBONATE

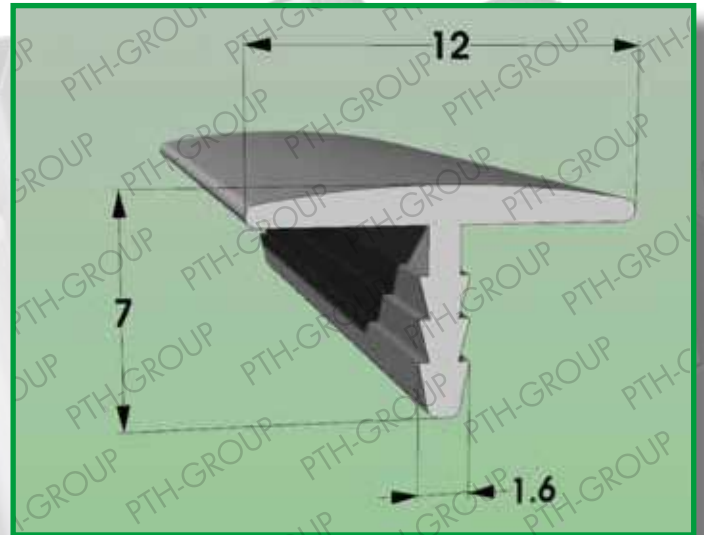


GLASS PARTITIONING PROFILES

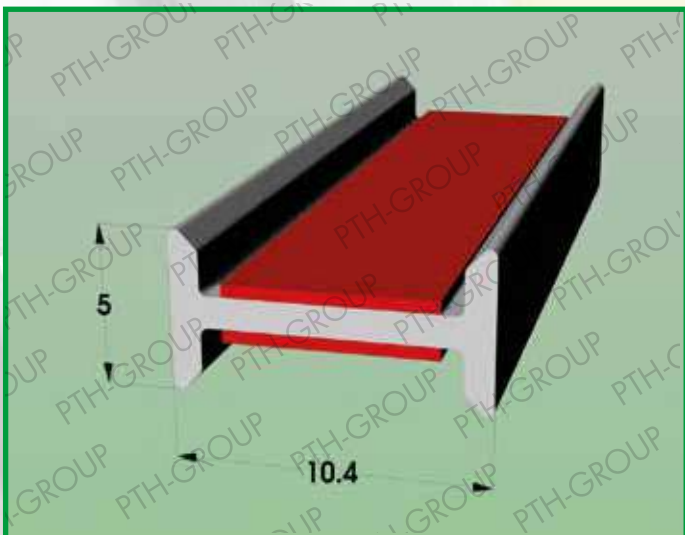
Profile 1010.135
Material: POLYCARBONATE



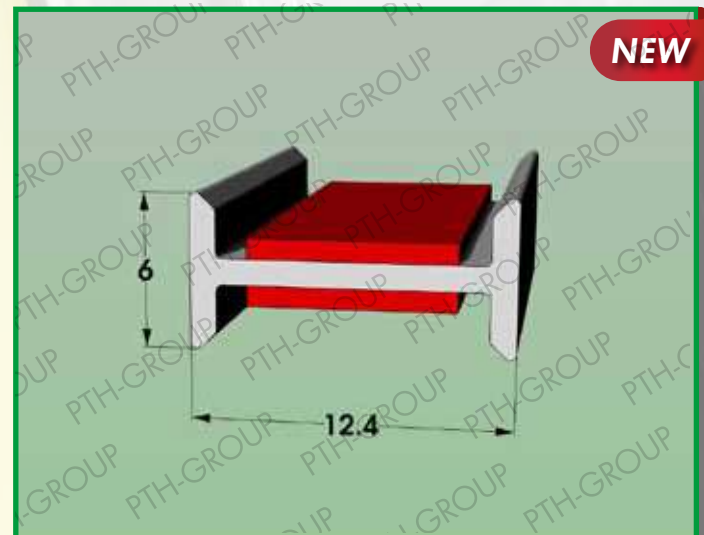
Profile 1010.136
Material: POLYCARBONATE



Profile 1010.441
Material: POLYCARBONATE



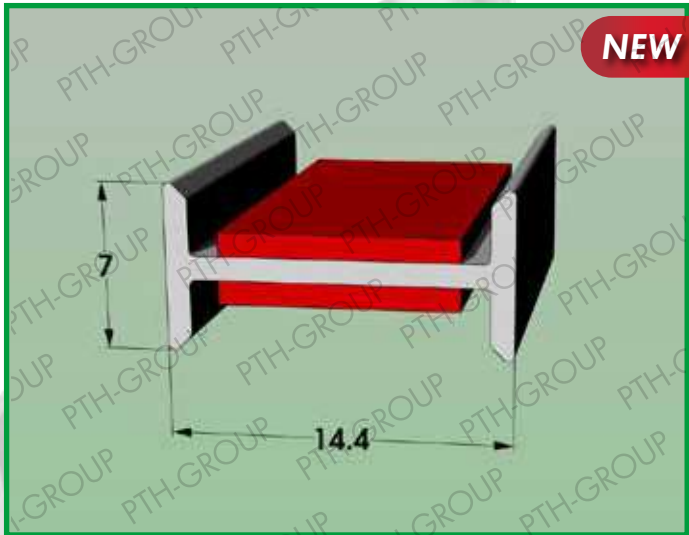
Profile 1010.461
Material: POLYCARBONATE



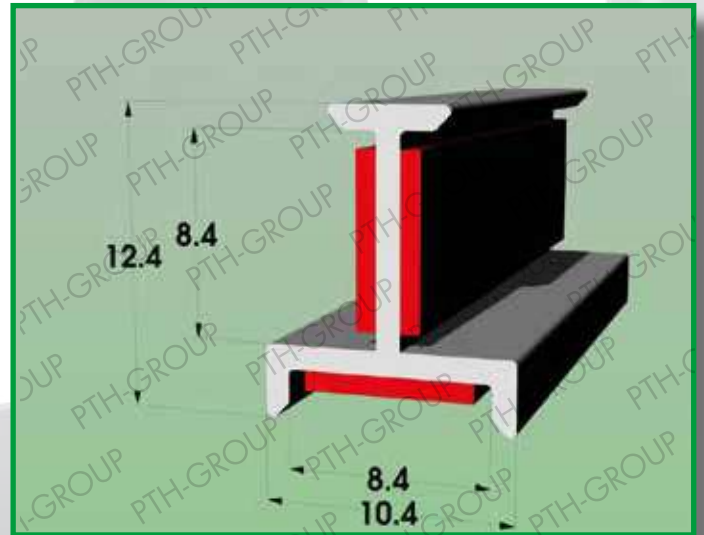
GLASS PARTITIONING PROFILES

Profile 1010.465
Material: POLYCARBONATE

NEW

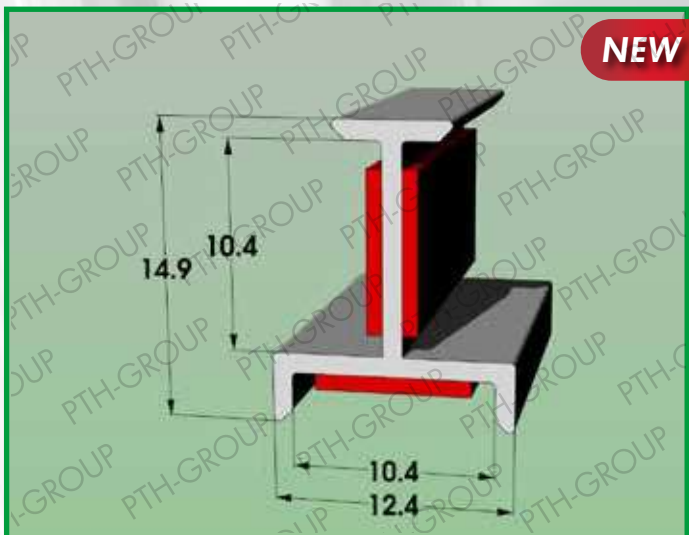


Profile 1010.442
Material: POLYCARBONATE



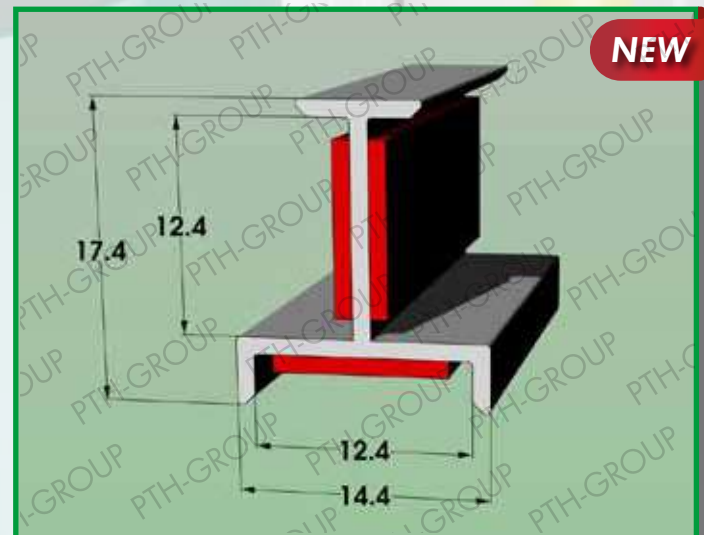
Profile 1010.462
Material: POLYCARBONATE

NEW



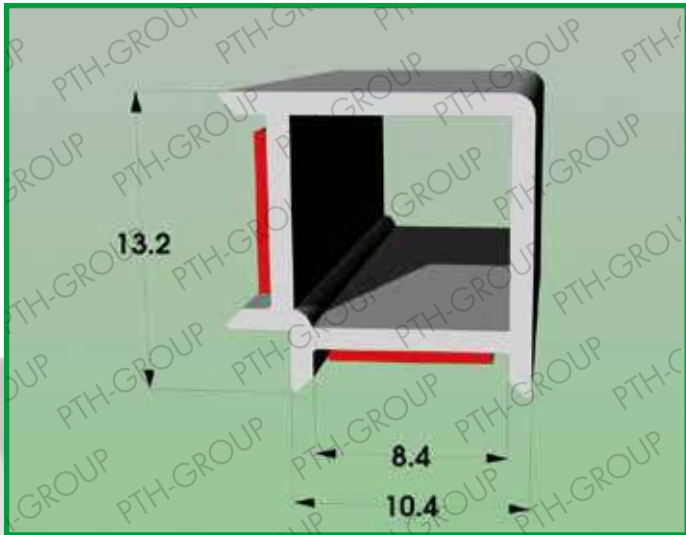
Profile 1010.466
Material: POLYCARBONATE

NEW

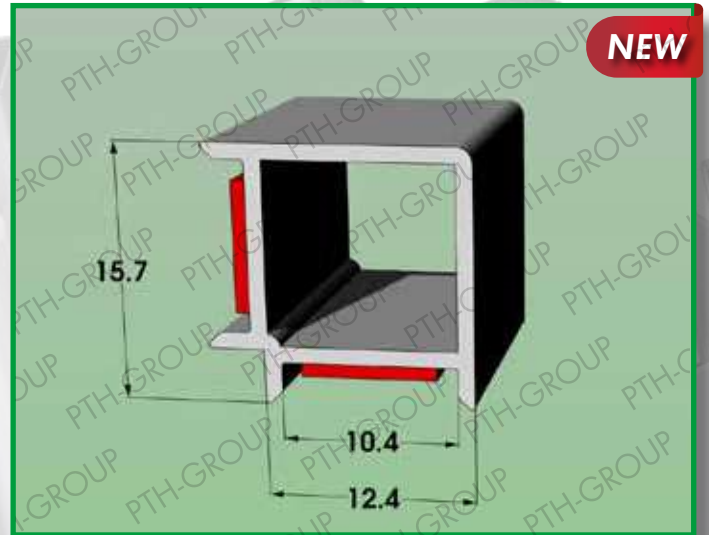


GLASS PARTITIONING PROFILES

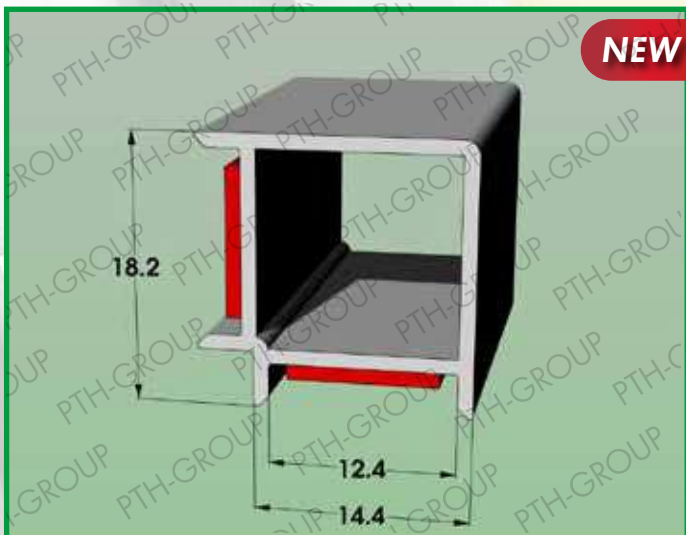
Profile 1010.443
Material: POLYCARBONATE



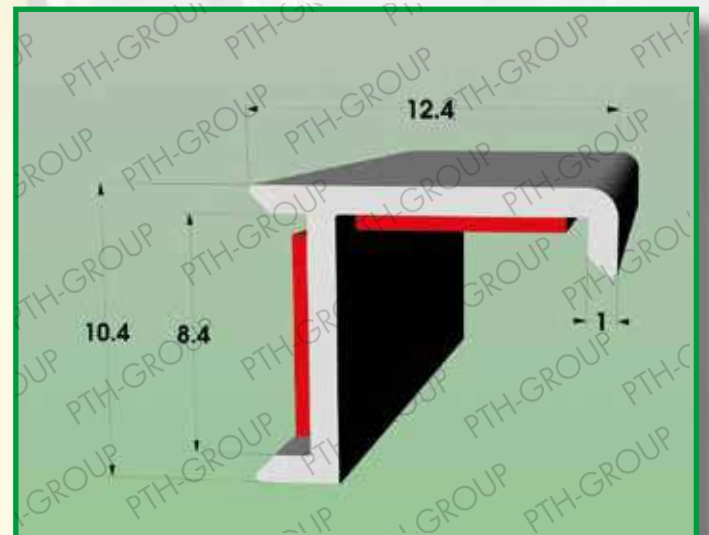
Profile 1010.463
Material: POLYCARBONATE



Profile 1010.467
Material: POLYCARBONATE

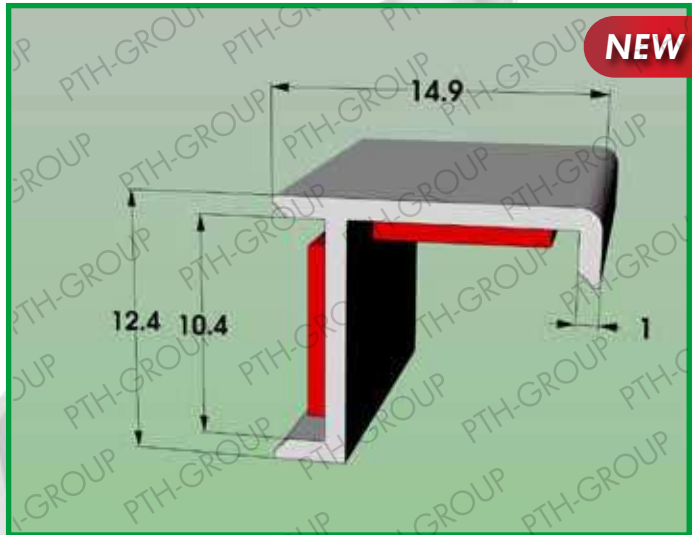


Profile 1010.444
Material: POLYCARBONATE

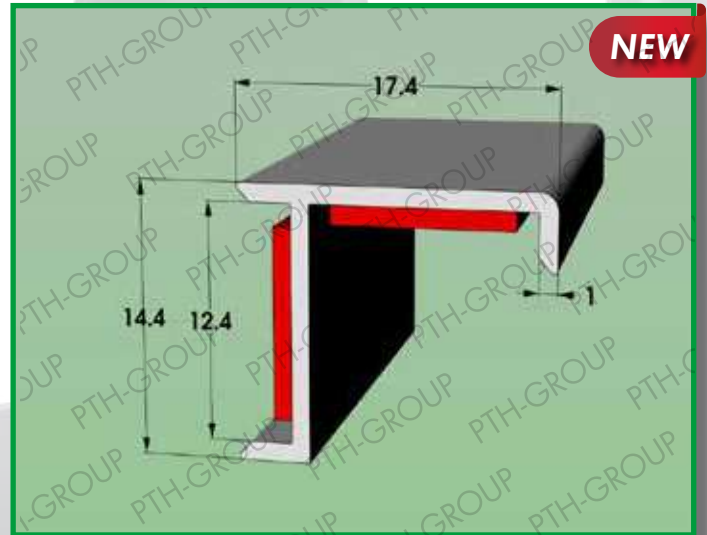


GLASS PARTITIONING PROFILES

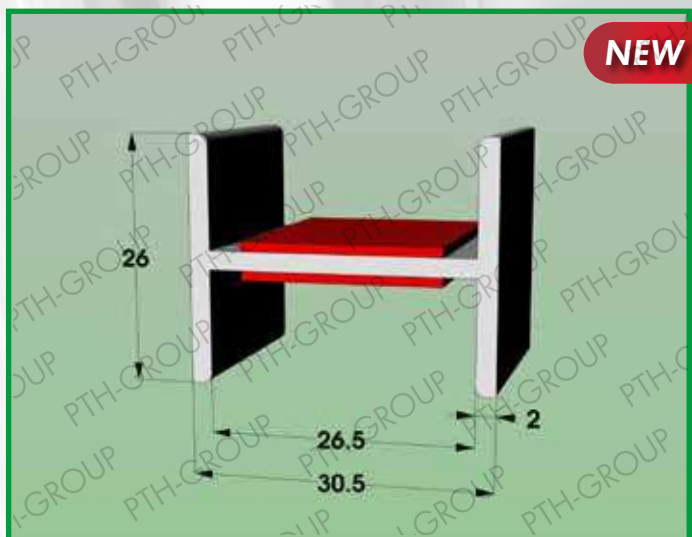
Profile 1010.464
Material: POLYCARBONATE



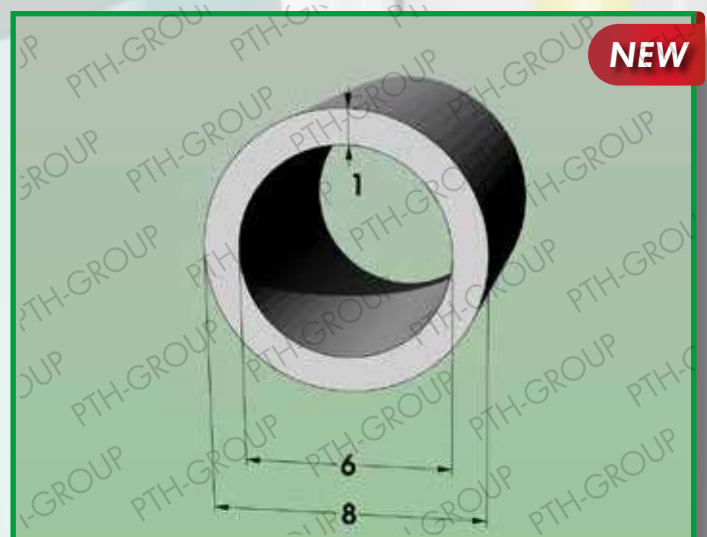
Profile 1010.468
Material: POLYCARBONATE



Profile 1010.499
Material: POLYCARBONATE

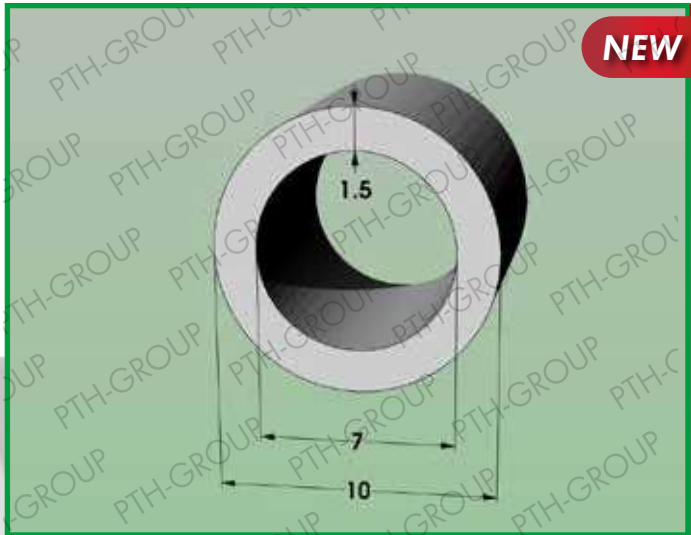


Profile 1010.471
Material: POLYCARBONATE

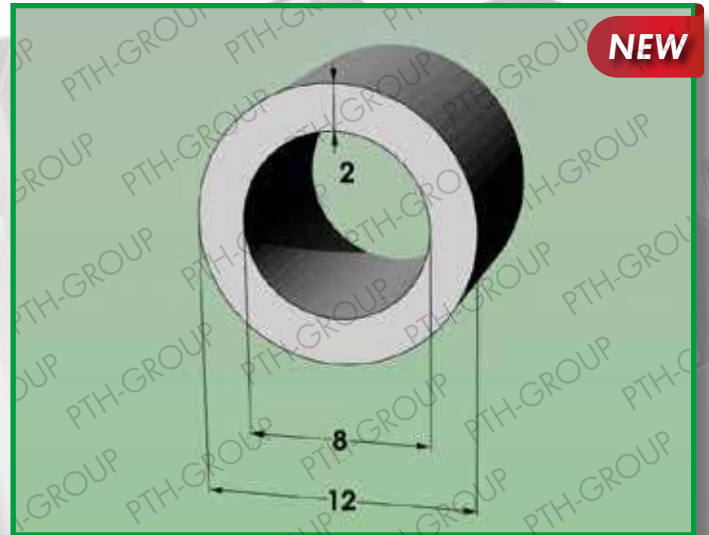


GLASS PARTITIONING PROFILES

Profile 1010.472
Material: POLYCARBONATE



Profile 1010.473
Material: POLYCARBONATE





*Some drawings of this catalog are exclusive property of our customers.
LED and Lighting Profiles and Diffusers drawings are only for illustrative purpose.
Technical modifications reserved*

POLYCARBONATE TUBES



Polycarbonate Transparent and Opal Tubes are extruded in UV stabilized high mechanical resistance material. On request tubes are produced also in Polycarbonate Flame Retardant UL 94 V0 material.

TECHNICAL MATERIAL PROPERTIES

Excellent light transmission values

UVstabilized

High Mechanical resistance

High service temperature

Good chemical resistance

Flame Retardant UL 94 V0 (on request)

PMMA TUBES



PMMA Tubes are extruded in transparent or opal material.

TECHNICAL MATERIAL PROPERTIES

Perfectly clear and colourless

Excellent light transmission

High quality surface

High light diffusion

Very good brilliancy

PMMA SATIN TUBES



PMMA Satin Tubes are suitable to create a diffused light effect with the presence of an internal lighting source.

TECHNICAL MATERIAL PROPERTIES

- Elegant and attractive surface
- High light transmission
- Low inner reflection
- Impact resistant
- Diffused light spread
- Hiding light source power

DIMENSIONS

Outer - Ø in mm	Min. production volume (m)
Ø 4	2000
Ø 4,7	2000
Ø 5	2000
Ø 6	1500
Ø 7	1500
Ø 8	1500
Ø 9	1500
Ø 9,5	1500
Ø 10	1500
Ø 11	1000
Ø 12	1000
Ø 13	1000
Ø 14	1000
Ø 15	1000
Ø 15,5	1000
Ø 16	1000
Ø 17	1000
Ø 18	1000
Ø 19	1000
Ø 20	1000
Ø 20,5	1000
Ø 21	1000
Ø 22	1000
Ø 23	1000
Ø 24	1000
Ø 25	1000
Ø 25,4	1000
Ø 26	1000
Ø 27	1000
Ø 28*	1000
Ø 30*	1000
Ø 32*	1000
Ø 32,5*	1000
Ø 33*	1000
Ø 34*	1000
Ø 35*	1000
Ø 36*	1000
Ø 38*	1000
Ø 40*	500
Ø 42,5*	500
Ø 44*	500
Ø 45*	500

Outer - Ø in mm	Min. production volume (m)
Ø 50*	500
Ø 52*	500
Ø 56*	500
Ø 59*	500
Ø 60*	500
Ø 63*	500
Ø 64*	500
Ø 65*	500
Ø 66*	500
Ø 67*	500
Ø 68*	500
Ø 70*	250
Ø 75*	250
Ø 78*	250
Ø 80*	250
Ø 83*	250
Ø 84*	250
Ø 90*	250
Ø 95*	250
Ø 96*	250
Ø 100*	250
Ø 110*	250
Ø 120*	250
Ø 125	250
Ø 130	250
Ø 133	250
Ø 134	250
Ø 140	250
Ø 145	250
Ø 150	250
Ø 152	250
Ø 160	250
Ø 170	250
Ø 178	250
Ø 180	250
Ø 185	250
Ø 200	250
Ø 230	250
Ø 240	250
Ø 250	250
Ø 300	250

*as well with inside prismatic structure
Wall thickness and other diameters on demand

TECHNICAL TUBES SPECIFICATIONS

Tolerances for roundness (in % of outer diameter):

\varnothing 6 mm to \varnothing 148 mm = $\pm 1,0$ %
 \varnothing 150 mm to \varnothing 300 mm = $\pm 1,5$ %

Tolerances for wall thickness (in %):

\varnothing 6 mm to \varnothing 98 mm = $\pm 5,0$ %
 \varnothing 100 mm to \varnothing 300 mm = $\pm 10,0$ %

Tolerances for length (in mm):

Production lengths up to 6.000 mm $\pm 30,0$ mm

Separate cutting service (manual cuts) for lengths (L)

$L \leq 1.000$ mm ± 1 mm

$1.000 < L \leq 2.000$ mm $\pm 1,5$ mm

$L > 2.000$ mm upon demand

A small recess of 0.3 mm may occur at the cut edges

Tolerances for straightness:

Maximum deviation: 3.0 mm on 1.000 mm chord length

Optical properties:

Extrusion marks and Optical rings are unavoidable due to the extrusion process

Tolerances for PC and PMMA Tubes:

The above manufacturing tolerances apply at a reference temperature of 20 °C

TECHNICAL DATA SHEET

POLYCARBONATE UV STABILIZED - ANTISHOCK

Physical	Nominal Value Unit	Test Method
Density	1.20 g/cm ³	ISO 1183
Apparent Density	0.66 g/cm ³	ISO 60
Melt Mass-Flow Rate (MFR) (300°C/1.2 kg)	3.0 g/10 min	ISO 1133
Melt Volume-Flow Rate (MVR) (300°C/1.2 kg)	3.00 cm ³ /10 min	ISO 1133
Molding Shrinkage		
Across Flow	0.60 to 0.80%	ISO 2577
Flow	0.60 to 0.80%	ISO 2577
Across Flow: 2.00 mm ²	0.75%	ISO 294-4
Flow: 2.00 mm ²	0.75%	ISO 294-4
Water Absorption		ISO 62
Saturation, 23°C	0.30%	
Equilibrium, 23°C, 50% RH	0.12%	
Mechanical	Nominal Value Unit	Test Method
Tensile Modulus (23°C)	2400 MPa	ISO 527-2/1
Tensile Stress		ISO 527-2/50
Yield, 23°C	67.0 MPa	
Break, 23°C	65.0 MPa	
Tensile Strain		ISO 527-2/50
Yield, 23°C	6.3%	
Break, 23°C	100%	
Nominal Tensile Strain at Break (23°C)	> 50%	ISO 527-2/50
Tensile Creep Modulus		ISO 899-1
1 hr	2200 MPa	
1000 hr	1900 MPa	
Flexural Modulus ³ (23°C)	2400 MPa	ISO 178
Flexural Strength ³		ISO 178
3.5% Strain, 23°C	74.0 MPa	
23°C	100 MPa	
Flexural Strain at Flexural Strength		ISO 179
23°C, 2 mm/min	7.3%	
Films	Nominal Value Unit	Test Method
Water Vapor Transmission Rate		ISO 15106-1
23°C, 100 µm, 85% RH	15 g/m ² /24 hr	
Carbon Dioxide Permeability		ISO 2556
25.4 µm	16900 cm ³ /m ² /bar/24 hr	
100.0 µm	4300 cm ³ /m ² /bar/24 hr	
Nitrogen Permeability		ISO 2556
25.4 µm	510 cm ³ /m ² /bar/24 hr	
100.0 µm	130 cm ³ /m ² /bar/24 hr	
Oxygen Permeability		ISO 2556
25.4 µm	2800 cm ³ /m ² /bar/24 hr	
100.0 µm	700 cm ³ /m ² /bar/24 hr	
Impact	Nominal Value Unit	Test Method
Charpy Notched Impact Strength ^{4,5}		ISO 7391
-30°C, Complete Break	16 kJ/m ²	
23°C, Partial Break	70 kJ/m ²	
Charpy Unnotched Impact Strength		ISO 179/1eU
-60°C	No Break	
-30°C	No Break	
23°C	No Break	
Notched Izod Impact Strength ⁶		ISO 180/A
-30°C, Complete Break	14 kJ/m ²	
23°C, Partial Break	80 kJ/m ²	
Multi-Axial Instrumented Impact Energy		ISO 6603-2
-30°C	65.0 J	
23°C	60.0 J	
Multi-Axial Instrumented Impact Peak Force		ISO 6603-2
-30°C	6500 N	
23°C	5600 N	
Hardness	Nominal Value Unit	Test Method
Ball Indentation Hardness	115 MPa	ISO 2039-1

Thermal	Nominal Value Unit	Test Method
Heat Deflection Temperature		
0.45 MPa, Unannealed	138°C	ISO 75-2/B
1.8 MPa, Unannealed	127°C	ISO 75-2/A
Glass Transition Temperature	145°C	ISO 11357-2
Vicat Softening Temperature		
-	146°C	ISO 306/B50
-	147°C	ISO 306/B120
Ball Pressure Test (137°C)	Pass	IEC 60695-10-2
CLTE		ISO 11359-2
Flow: 23 to 55°C	0.000065 cm/cm/°C	
Transverse: 23 to 55°C	0.000065 cm/cm/°C	
Thermal Conductivity (23°C)	0.20 W/m/K	ISO 8302
Electrical	Nominal Value Unit	Test Method
Surface Resistivity	1.0E+16 ohms	IEC 60093
Volume Resistivity	1.0E+16 ohm cm	IEC 60093
Relative Permittivity		IEC 60250
23°C, 100 Hz	3.10	
23°C, 1 Mhz	3.00	
Dissipation Factor		IEC 60250
23°C, 100 Hz	0.00050	
23°C, 1 Mhz	0.0090	
Comparative Tracking Index		IEC 60112
Solution A	250 V	
Solution B	100 V	
Electric Strength (23°C, 1.00 mm)	34 kV/mm	IEC 60243-1
Flammability	Nominal Value Unit	Test Method
Flame Rating - UL		UL 94
1.50 mm, CL, NC, WT	HB	
3.00 mm, WT	V-2	
6.00 mm, CL, NC, WT	V-0	
Glow Wire Flammability Index		IEC 60695-2-12
1.00 mm	850°C	
1.50 mm	850°C	
2.00 mm	850°C	
3.00 mm	960°C	
4.00 mm	960°C	
Oxygen Index ⁷	27%	ISO 4589-2
Burning Rate (> 1.00 mm, US-FMVSS)	Passed	ISO 3795
Flash Ignition Temperature	480°C	ASTM D1929
Needle Flame Test		
1.50 mm Method F	60.0 sec	
1.50 mm Method K	5.0 sec	
2.00 mm Method K	5.0 sec	
2.00 mm Method F	60.0 sec	
3.00 mm Method F	120.0 sec	
3.00 mm Method K	10.0 sec	
Self Ignition Temperature	550°C	ASTM D1929
UL 746	Nominal Value Unit	Test Method
RTI Str (1.50 mm)	125°C	UL 746
RTI Imp (1.50 mm)	115°C	UL 746
RTI Elec (1.50 mm)	125°C	UL 746
Optical	Nominal Value Unit	Test Method
Refractive Index ⁸	1.587	ISO 489
Transmittance		ISO 13468-2
1.00 µm	89.0%	
2000 µm	88.0%	
3000 µm	88.0%	
4000 µm	87.0%	
Haze (3000 µm)	< 0.80%	ISO 14782
Additional Information	Nominal Value Unit	Test Method
Electrolytical corrosion	A1	IEC 60426
ISO Shortname	PC, ELS, (..)-05-9	ISO 7391

TECHNICAL DATA SHEET

POLYCARBONATE FLAME RETARDANT

Physical	Nominal Value Unit	Test Method
Density	1.25 g/cm ³	ISO 1183
Melt Volume-Flow Rate (MVR)		ISO 1133
300°C/1.2 kg	3.00 cm ³ /10 min	
300°C/2.16 kg	5.50 cm ³ /10 min	
Molding Shrinkage - Flow ²	0.40 to 0.60%	Internal Method
Water Absorption		ISO 62
Saturation, 23°C	0.32%	
Equilibrium, 23°C, 50% RH	0.13%	
Mechanical	Nominal Value Unit	Test Method
Tensile Modulus	2350 MPa	ISO 527-2/1
Tensile Stress		ISO 527-2/50
Yield	65.0 MPa	
Break	70.0 MPa	
Tensile Strain		ISO 527-2/50
Yield	7.0%	
Break	> 70%	
Flexural Modulus ³	2350 MPa	ISO 178
Flexural Strength ^{3,4}	95.0 MPa	ISO 178
Taber Abrasion Resistance		Internal Method
1000 Cycles, 1000 g. CS-17 Wheel	9.00 mg	
Impact	Nominal Value Unit	Test Method
Charpy Notched Impact Strength ⁵		ISO 179/1eA
-30°C	10 kJ/m ²	
23°C	11 kJ/m ²	
Charpy Unnotched Impact Strength ⁵		ISO 179/1eU
-30°C	No Break	
23°C	No Break	
Notched Izod Impact Strength ⁶		ISO 180/1A
-30°C	10 kJ/m ²	
23°C	11 kJ/m ²	
Unnotched Izod Impact Strength ⁶		ISO 180/1U
-30°C	No Break	
23°C	No Break	
Hardness	Nominal Value Unit	Test Method
Ball Indentation Hardness (H 358/30)	95.0 MPa	ISO 2039-1
Thermal	Nominal Value Unit	Test Method
Heat Deflection Temperature ⁷		
0.45 MPa, Unannealed, 100 mm Span	148°C	ISO 75-2/Be
1.8 MPa, Unannealed, 100 mm Span	135°C	ISO 75-2/Ae
Vicat Softening Temperature		
-	155°C	ISO 306/B50
-	156°C	ISO 306/B120
Ball Pressure Test (125°C)	Pass	IEC 60695-10-2
CLTE-Flow (23 to 80°C)	0.000070 cm/cm/°C	ISO 11359-2
Thermal Conductivity	0.20 W/m/K	ISO 8302
Electrical	Nominal Value Unit	Test Method
Surface Resistivity	> 1.0E + 15 ohms	IEC 60093
Volume Resistivity	> 1.0E + 15 ohm cm	IEC 60093
Relative Permittivity		IEC 60250
50 Hz	2.70	
60 Hz	2.70	
1 MHz	2.70	
Dissipation Factor		IEC 60250
50 Hz	0.0010	
60 Hz	0.0010	
1 MHz	0.010	
Electric Strength (3,20 mm, in Oil)	17 kV/mm	IEC 60243-1

Polycarbonate UL 94 - V0 Material is used in conformity to the most requested certificates for Fire and Smoke: DIN 5510-2, NF-F 16-101, NF-P 92501, UNI-CEI 11170 and EN 45545.

Flammability	Nominal Value Unit	Test Method
Flame Rating - UL (1.50 mm)	V-0	UL 94
Glow Wire Flammability Index (1.00 mm)	*850 °C *960 °C	IEC 60695-2-12
Optical	Nominal Value Unit	Test Method
Refractive Index	1.586	ISO 489
Transmittance (2540 μm)	88.0%	ASTM D1003
Haze (2540 μm)	< 0.80%	ASTM D1003
Optical	Nominal Value Unit	
Drying Temperature	120°C	
Drying Time	2.0 to 4.0 hr	
Hopper Temperature	100 to 120°C	
Cylinder Zone 1 Temp.	260 to 300°C	
Cylinder Zone 2 Temp.	260 to 290°C	
Cylinder Zone 3 Temp.	260 to 290°C	
Adapter Temperature	240 to 280°C	
Melt Temperature	260 to 300°C	
Die Temperature	240 to 300°C	
Calibration Temp, First	50.0 to 100°C	
NOTES		
¹ Typical properties: these are not to be construed as specifications		
² Tensile Bar		
³ 2.0 mm/min		
⁴ Yield		
⁵ 80*10*3 sp=62 mm		
⁶ 80*10*3		
⁷ 120*10*4 mm		

TECHNICAL DATA SHEET

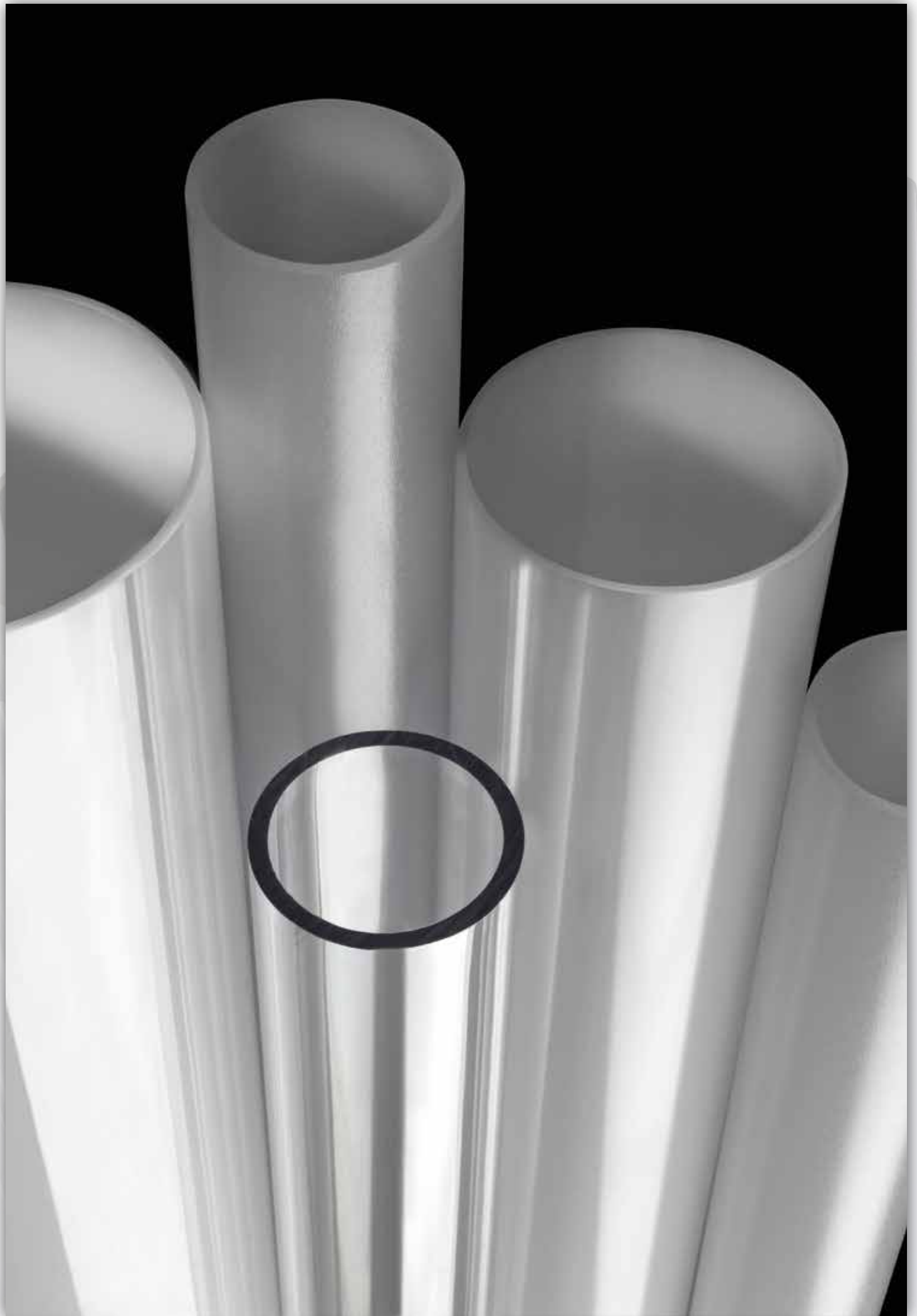
PMMA TRANSPARENT

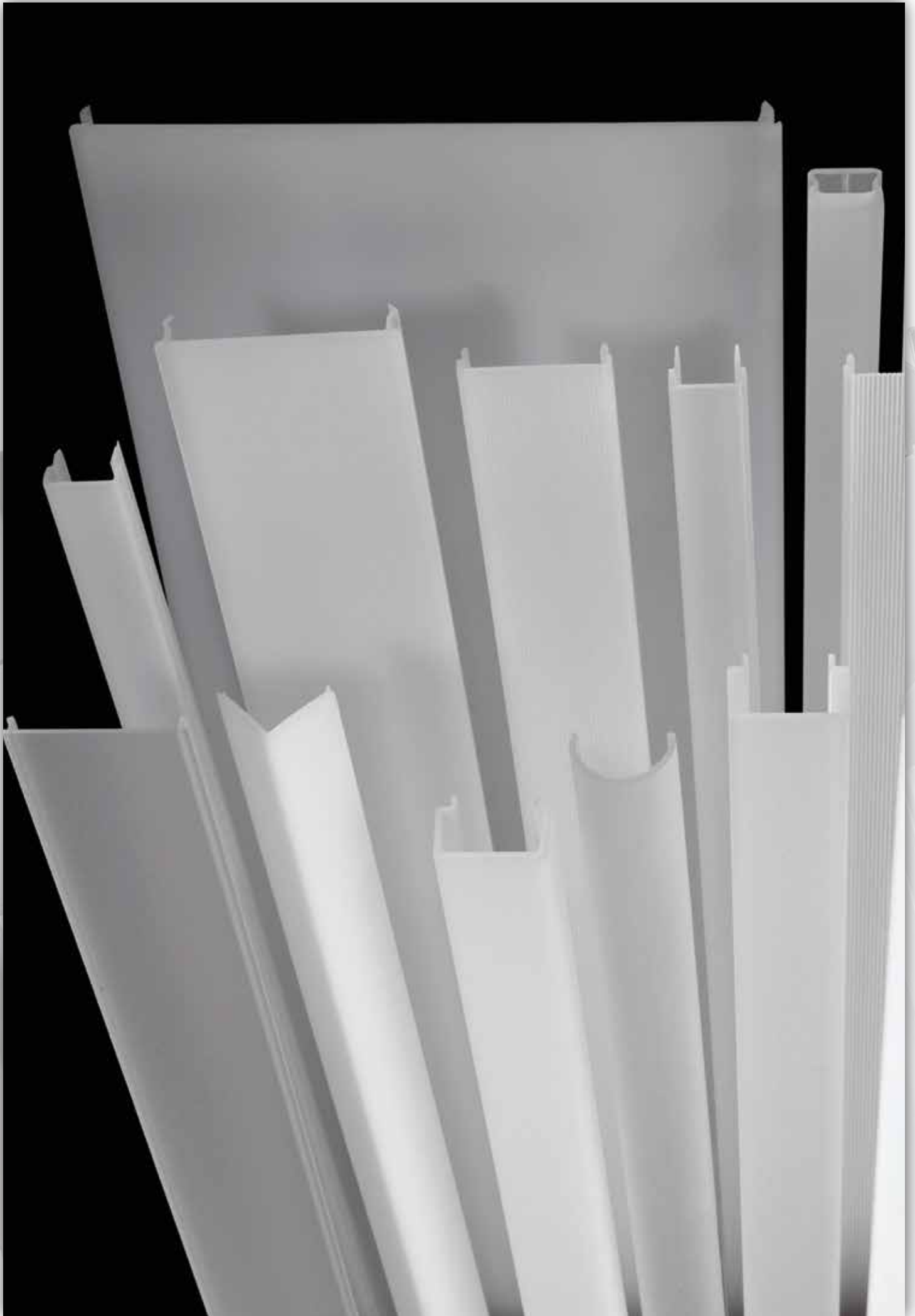
Physical	Nominal Value Unit	Test Method
Density	1.18 g/cm ³	ISO 1183
Melt Mass-Flow Rate (MFR)	2.2 g/10 min	ISO 1133
Molding Shrinkage	0.40 to 0.70%	ISO 294-4
Water Absorption (Equilibrium, 23°C, 50% RH)	0.30%	ISO 62
Mechanical	Nominal Value Unit	Test Method
Tensile Stress (Yield)	83.0 MPa	ISO 527-2
Tensile Strain (Yield)	5.0%	ISO 527-2
Flexural Modulus	3200 MPa	ISO 178
Flexural Strength	115 MPa	ISO 178
Impact	Nominal Value Unit	Test Method
Charpy Notched Impact Strength	2.0 kJ/m ²	ISO 179/1eA
Charpy Unnotched Impact Strength	20 kJ/m ²	ISO 179/1eU
Notched Izod Impact Strength	2.0 kJ/m ²	ISO 180/1A
Hardness	Nominal Value Unit	Test Method
Rockwell Hardness (M-Scale)	98	ISO 2039-2
Ball Indentation Hardness (H 961/30)	185 MPa	ISO 2039-1
Thermal	Nominal Value Unit	Test Method
Heat Deflection Temperature		
0.45 MPa, Unannealed	105°C	ISO 75-2/B
1.8 MPa, Unannealed	102°C	ISO 75-2/A
Vicat Softening Temperature		
-	117°C	ISO 306/A
-	109°C	ISO 306/B
CLTE-Flow	0.000071 cm/cm/°C	ASTM E831
Flammability	Nominal Value Unit	Test Method
Flame Rating - UL	HB	UL 94
Glow Wire Flammability Index	650°C	IEC 60695-2-12
Optical	Nominal Value Unit	Test Method
Refractive Index	1.490	ISO 489
Transmittance	92.0%	ASTM D1003
Haze	0.40%	ASTM D1003

TECHNICAL DATA SHEET

PMMA SATIN

Physical	Nominal Value Unit	Test Method
Density	1.15 g/cm ³	ISO 1183
Melt Mass-Flow Rate (MFR) (230°C/3.8 kg)	0.80 g/10 min	ISO 1133
Molding Shrinkage - Flow	0.20 to 0.80%	ASTM D955
Water Absorption (Equilibrium, 23°C, 50% RH)	0.36%	ISO 62
Mechanical	Nominal Value Unit	Test Method
Tensile Stress (Yield, 23°C)	38.0 MPa	ISO 527-2
Tensile Strain (Break, 23°C)	40%	ISO 527-2
Flexural Modulus (23°C)	1700 MPa	ISO 178
Flexural Strength (23°C)	62.0 MPa	ISO 178
Compressive stress (23°C)	45.0 MPa	ISO 604
Impact	Nominal Value Unit	Test Method
Charpy Notched Impact Strength (23°C)	7.0 kJ/m ²	ISO 179/2C
Charpy Unnotched Impact Strength (23°C)	60 kJ/m ²	ISO 179/2U
Notched Izod Impact Strength (23°C)	6.3 kJ/m ²	ISO 180/1A
Hardness	Nominal Value Unit	Test Method
Rockwell Hardness (M-Scale)	46	ASTM D785
Thermal	Nominal Value Unit	Test Method
Heat Deflection Temperature		
0.45 MPa, Unannealed	93.0°C	ISO 75-2/B
1.8 MPa, Unannealed	88.0°C	ISO 75-2/A
Vicat Softening Temperature	100°C	ISO 306/B
CLTE-Flow (-30 TO 23°C)	0.00010 cm/cm/°C	ASTM D696
Specific Heat	2090 J/kg/°C	
Electrical	Nominal Value Unit	Test Method
Surface Resistivity	> 1.0E + 14 ohms	ASTM D257
Volume Resistivity	> 1.0E + 15 ohm cm	ASTM D257
Dielectric Strength	15 kV/mm	ASTM D149
Dielectric Constant (60 Hz)	3.90	ASTM D150
Dissipation Factor (1 MHz)	0.040	ASTM D150
Flammability	Nominal Value Unit	Test Method
Flame Rating - UL	HB	UL 94
Optical	Nominal Value Unit	Test Method
Refractive Index ²	1.490	ISO 489
Transmittance	90.0%	ASTM D1003
Haze	2.0%	ASTM D1003







PTH GROUP s.r.l. - Via Ticino, 15 - 21043 Castiglione Olona (VA) - ITALY
Phone +39.0331.858378/+39.0331.859191 - Fax +39.0331.824390/+39.0331.861878
E-mail: info@pth-group.com - Web site: www.pth-group.com