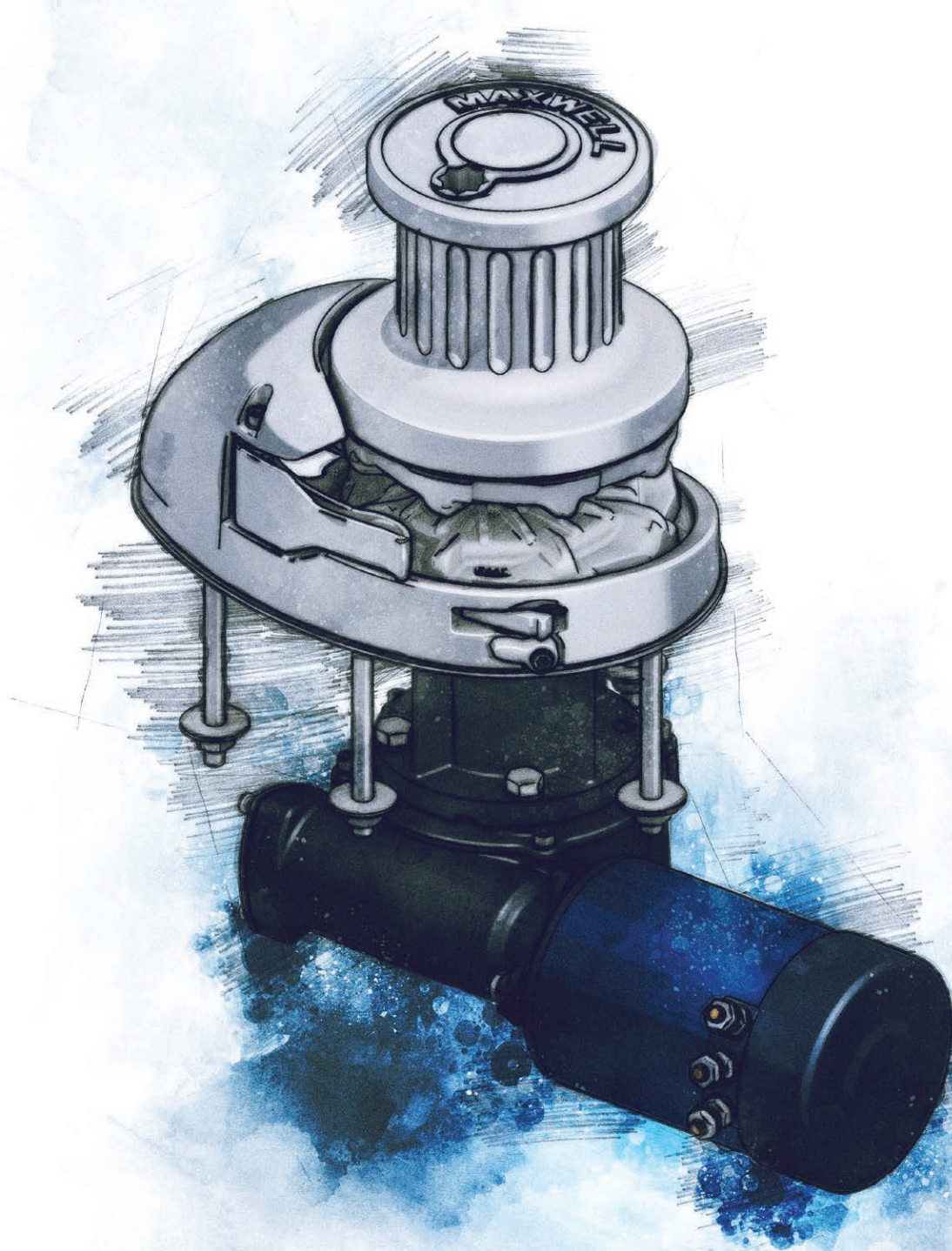


MAXWELL

Anchoring systems



Maxwell Product Innovation

Maxwell equipment is born of innovation and backed by years of experience in the manufacture of the world's highest quality anchor windlasses, ancillary deck gear and stern handling products.

Maxwell's innovative approach to design resulted in the introduction of automatic rope/chain windlasses to the global marine market during the mid 1990's. These were a radical departure from all other windlasses, revolutionary in design and technical features.

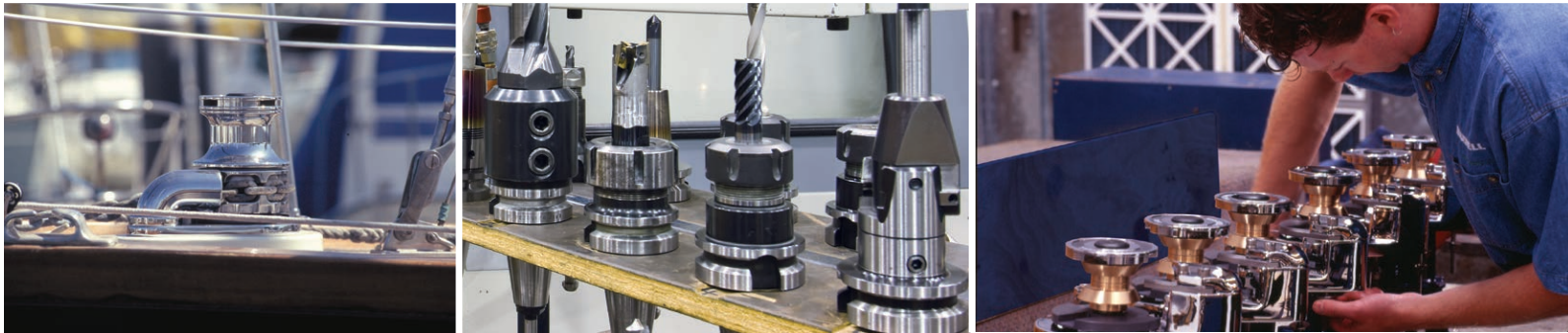
Building on the success of these products, Maxwell designed and developed an exciting RC range of automatic rope/chain windlasses. Maxwell broke the design barriers with the development of a vertical and horizontal rope/chain windlass range incorporating two unique and internationally patented features. The RC and HRC Series attest to Maxwell's ongoing commitment to innovative design and development.

Maxwell continues to evolve its existing range of proven windlasses and capstans. The RC12 is the culmination of Maxwell's evolution of a full range of automatic rope/chain windlasses suitable for use on vessels from 4.5 metres (15 feet) to over 22 metres (75 feet).

Maxwell's ongoing commitment to product development can also be seen in the upgrading of the 'traditional' and continually popular vertical VWC Series. Stalwarts since the early nineties, the VWC windlasses were always great performers and now, with advanced engineering features incorporated into our improved designs, they work even better.

Maxwell recognises that boat owners not only want equipment that works flawlessly, they want products that look good as well. To this end, Maxwell designers spend countless hours improving the look, functionality and robustness of all Maxwell products.

With an ongoing commitment to excellence, product innovation, research and development, you can count on Maxwell to secure your investment!



HRCFF

The compact HRCFF6, HRCFF7 and HRCFF8 are Maxwell's horizontal versions of the innovative vertical RC Series automatic rope/chain windlasses. Packed with original and proven features, such as automatic 'Free Fall' and including the patented rode management technology developed by Maxwell, the HRCFF6, HRCFF7 and HRCFF8 have become industry icons.



RC12HD

The RC12HD has been designed to meet typical classification society requirement or regulations. This design is particularly well suited to vessels requiring high service speeds such as patrol vessels as the reduced weight of rope/chain combination rodes removes weight from the front of the vessel.



TASMAN

Our Tasman Series has a powerful motor and is highly reliable; ready for whatever situation or adventure you can throw at it. The gearbox, made from marine grade aluminium, is anodised for optimal protection.

Tasman features are: • All rode is contained on drum making setup more compact than a traditional windlass and it does not require a large chain locker • Motor/gearbox can be fitted in fourteen different positions • Stainless steel (AISI 316) gearbox hub • Independent mounting legs • Simple emergency operation



An Introduction to Maxwell's Products

To make the proper selection in anchor-handling equipment it is important to give careful consideration to the style and size of boat, the anticipated anchoring conditions, and the weight and type of ground tackle. (Refer to 'Which Winch' article on page 333). Maxwell has an extensive range of windlasses for all types of ground tackle, bow configurations, locker spaces and power requirements including:

- The vertical stainless steel (AISI 316) RC Series and the horizontal HRC Series automatically handle rope/chain combination rodes and are suitable for boats from 4.5 metres (15 feet) up to approximately 22 metres (75 feet)
- The evolutionary RC12 Series automatically handles rope/chain combination rodes and is suitable for lighter displacement vessels up to approximately 24 metres (80 feet)
- The multipurpose VC (Vertical Capstan) Series, which can be used for all types of line handling
- The traditional rope and chain VW (Vertical Windlass) Series, designed for manually handling a rope and chain combination anchor rode joined by a conventional shackle and eye splice. The exception being the hybrid VW10, see page 346
- The VWC (Vertical Windlass/Capstan) and HWC (Horizontal Windlass/Capstan) Series, which handle chain only rodes automatically

VERTICAL OR HORIZONTAL - MAXWELL OFFERS BOTH

Vertical systems have several advantages: They take up less space on deck and are easier to maintain. They are less expensive than equivalent horizontal models. Chain, or rope/chain alignment with the bow roller, while not as critical as horizontal windlass alignment, should be within a tolerance of about +/- 2% for smooth retrieval of chain or rope/chain. Rode (rope/chain) alignment with RC Series winches is more critical (consult Owner's Manual). With vertical systems more chain is in contact with the chainwheel thus minimising the possibility of chain jump. Line-pull on the warping drum can be in any direction, as opposed to fore and aft only on horizontal models.

Horizontal models have the advantage of being better suited to applications where there is extreme deck thickness (over 200 mm - 8"), limited below deck accessibility or when two anchors must be handled from one winch. Maxwell products are distributed and supported worldwide by an extensive service network.

Each winch is available with a circuit breaker of an appropriate size to provide electrical protection during normal operation of the winch. Maxwell capstan winches and anchor windlasses fitted with capstan drums are manufactured with Maxwell's fluted stainless steel (AISI 316) design to ensure the best possible grip and control of rope lines or rodes.

'CHAIN' OR 'ROPE AND CHAIN'?

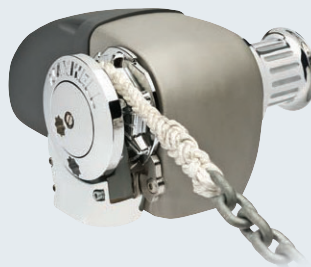
The two options for use with windlasses:

CHAIN ONLY

A rode consisting entirely of short link anchoring chain provides the ultimate in holding security. Chafe resistance combined with excellent catenary effect ensure the best holding, suitable for use on all Maxwell anchoring windlasses including those designed for use with rope/chain combination rodes.

ROPE AND CHAIN

A rode consisting of a combination of short link chain and nylon rope, provides a good compromise between holding security, weight and shock absorption. A length of chain attached to the anchor provides good chafe resistance for those portions of the rode often touching the sea floor, the remainder of the rode being nylon rope which significantly reduces the weight of the rode and also provides some shock absorbing and noise cancelling. This type of rode is only suitable for use with Maxwell windlasses designed specifically for rope/chain combination rodes. The length of the chain or rope is only limited by chain locker size so it is possible to have for example 60 m of chain (used for most anchoring) and 100 m of rope (for those times where it is required to anchor in deep water). It is not recommended to leave a vessel anchored on the rope portion of the rode for extended periods without monitoring of the rope condition to ensure chafe does not become an issue.



WINDLASS AND CAPSTAN SELECTION CHART

This chart serves as a basic guide to assist in selecting the appropriate anchor winch system for your boat.

Please note: Size, displacement and type of vessel, as well as anchoring conditions, must be taken into consideration when selecting an anchor winch. Vessels of heavy

displacement and/or high windage will require larger windlasses. All systems assume the use of a chain stopper, chain snubber or mooring cleat to remove the load when setting or breaking the anchor loose. The maximum pulling capacity of the windlass should not be less than three times the total weight of the ground tackle. Should you require any assistance or information, please do not hesitate to contact Maxwell Marine or any of our distributors or service centres world-wide.

WINCH		CHAIN SIZE				BOAT LENGTH																	
Series, Type & Size		6/7 mm 1/4"	8 mm 5/16"	10/11 mm 3/8"	13 mm 1/2"	METRES FEET		FEET															
						4.5 15	6.1 20	7.6 25	9.2 30	10.7 35	12.2 40	13.7 45	15.3 50	16.8 55	18.5 60	20 65	21.5 70	22.8 75	80 → 100				
RC6 Automatic Rope & Chain	RC6 only V	●				LIGHT																	
						HEAVY																	
RC8 Automatic Rope & Chain	RC8-6 only V	●				LIGHT																	
						HEAVY																	
	RC8-8 only V		●			LIGHT																	
						HEAVY																	
RC10 Automatic Rope & Chain	RC10-8 only V		●			LIGHT																	
						HEAVY																	
	RC10-10 only V			●		LIGHT																	
						HEAVY																	
RC12 Automatic Rope & Chain	RC12-10 only V			●		LIGHT																	
						HEAVY																	
	RC12-12 only V				●	LIGHT																	
						HEAVY																	
RC12HD	RC12HD10			●		LIGHT																	
	RC12HD12				●	LIGHT																	
ANCHORMAX™	only V					LIGHT																	
						HEAVY																	
HRCFF Automatic Rope & Chain	HRCFF-6 only V	●				LIGHT																	
						HEAVY																	
	HRCFF-7 only H	●				LIGHT																	
						HEAVY																	
HRC10 Automatic Rope & Chain	HRC10-8 only H		●			LIGHT																	
	HRC10-10 only H			●		LIGHT																	
TASMAN	TASMAN 6 only H					LIGHT																	
						HEAVY																	
	TASMAN 8 only H					LIGHT																	
						HEAVY																	

VC All Rope	VW Rope & Chain	VWC Chain only	HWC Rope & Chain	V - Vertical Configuration	H - Horizontal Configuration	LIGHT DISPLACEMENT: Refers to a vessel which is relatively light in weight compared to its overall length. ■ May be used on larger lighter displacement vessels providing rode is mainly rope		HEAVY DISPLACEMENT: Refers to a vessel which is relatively heavy in weight compared to its overall length.	
●	●			500 only V	●				
	●			VW10 only V		●	●		
●	●	●		1000 only V	●	●			
●	●	●		1500 only V	●	●	●		
			●	2500 V and H		●			
	●	●	●	3500 V and H		●	●		
				4000					
				4500					
				6000 →					PLEASE CONTACT YOUR LOCAL SUPERYACHT AGENT!

This chart refers to anchor windlass selection only. When selecting a stern capstan for the same boat, Maxwell uses one size smaller drive, or down to a minimum of 50% of the pull rating of the windlass (unless specified otherwise).



WHICH WINCH? (Italicised items - refer to glossary, page 369)

There are a number of important criteria to be considered in selecting the correct anchor winch. These include the vessel size, displacement, windage, anchor size and rode selection. Practicalities such as locker space and depth of fall for the rode also play a part in deciding which windlass is ideal for you.

Maxwell Marine's range of windlasses and capstans is extensive, with models to suit boats up to 120 metres (over 380 feet). This section aims to simplify the selection process by taking you step by step through all the criteria that needs to be considered when choosing a windlass or capstan.

WHAT SIZE WINDLASS OR CAPSTAN FOR MY BOAT?

Consider the overall length and displacement (either light or heavy) of your boat and use the chart on the opposite page to identify the most suitable windlass or capstan for your vessel.

VERTICAL OR HORIZONTAL CONFIGURATION?

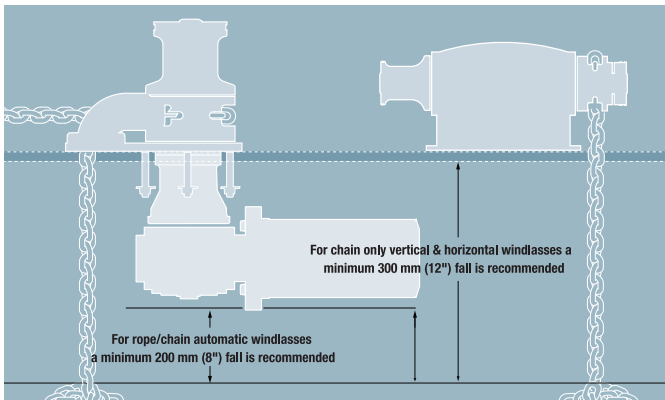
The two basic types of windlasses are differentiated by the drive shaft orientation. Deck thickness and underdeck space are the two main considerations when deciding which of the two types to fit.

Vertical windlasses make up the majority of anchor winch sales. They are characterised by situating the *capstan* and/or *gypsy* (topworks) above the deck and the motor and gearbox below. Vertical windlasses provide a 180° wrap of the anchor rode around the chainwheel giving optimal chain control, minimising slippage and jumping.

Horizontal windlasses are mounted completely above deck with gypsy and capstan located to either side. They provide a 90° wrap of the anchor rode around the chainwheel.

HOW MUCH SPACE DO I NEED IN MY CHAIN LOCKER?

Deck thickness and locker space play an important role in deciding whether to install a vertical or horizontal windlass. Estimating or measuring the depth of fall of the rode into the anchor locker may dictate which type of windlass is most suitable for your vessel. Calculating the depth of fall differs for horizontal chain only windlasses and for vertical chain or rope/chain windlasses (see diagram below).



Recommended minimum fall distances are measured from the top of rode pile (chain or rope/chain) after complete retrieval of the anchor.

ROPE SELECTION

Rope and, particularly chain, selection is extremely important. Deciding on the right anchor winch for your boat depends on the size, not only of the boat, but also the ground tackle. Maxwell anchor winches and capstans are designed to take chain only, rope only or a combination of both. Automatic rope/chain systems are now commonly used on boats up to 22 metres (75 feet). Consequently, Maxwell's HRCFF6, HRCFF7, HRCFF8, HRC10, RC6, RC8, RC10 and the evolutionary RC12 automatic rope/chain systems have become increasingly popular, as they offer the added benefit of less weight in the bow with the ability to carry an increased amount of rode. Chain only systems remain popular on heavier displacement sail and motor yachts. There are two main types of anchor chain. Short link chain is most commonly used on small and medium sized boats while stud link chain is generally used on much larger vessels such as Superyachts.

The latter is characterised by a stud (bar) joining the two sides of the link preventing them from deforming when overloaded. High test or calibrated short link chain should always be used. Long or regular link chain should not be used with anchor windlasses.

There are a wide variety of both metric (mm) and imperial (inches) chain sizes available and these will have bearing on your final windlass decision. It is important that the right size and right grade of chain is used to ensure a correct fit of the links to the gypsy. If the chain is not matched to the chainwheel problems may occur, such as the chain jumping off the gypsy or the chain jamming as it will not feed smoothly through the chain pipe. As chain to chainwheel compatibility is so important, Maxwell Marine supplies chainwheels to fit just about every known chain available on today's international market.

DC, AC OR HYDRAULIC?

The wattage of a DC electric motor is not the important factor. Rather it is the efficiency of the whole winch, including the gearbox and motor, which counts. With the increasing popularity of powerful and compact on-board generators, AC powered winches are becoming a practical consideration for bigger boats. Hydraulic systems provide another power source well worth considering as they have the advantage of constant speed under all load conditions and can be run almost constantly while coupled with safe guards such as pressure relief valves. Modern hydraulic systems offer an integrated, low maintenance and efficient, centrally managed, power pack.

WHAT PULL CAPABILITY WILL I NEED?

The only meaningful way to rate anchor winch performance is by looking at what it will lift and at what speed. The two things to consider are (a) the *maximum pull* capability and (b) the *working load* of the winch. Maximum pull (sometimes referred to as stall load) is the maximum short term or instantaneous pull of the winch. Working load is generally rated at about one third of the maximum pull and is usually considered to be the load that the winch is pulling once the anchor is off the bottom. To determine your required maximum pull capability, complete the calculation below.

1. Calculate ground tackle weight (anchor + chain + rope = ground tackle)

$$\text{eg: ANCHOR } 30 \text{ kg/66 lbs} + 18 \text{ m/60 ft CHAIN } 45 \text{ kg/100 lbs} + 61 \text{ m/200 ft ROPE } 12 \text{ kg/26 lbs} = \text{GROUND TACKLE } 87 \text{ kg/192 lbs}$$

2. Calculate the maximum pull (total ground tackle x 3 = Maximum pull)

Safety guidelines suggest that the pulling capacity of the windlass should not be less than 3 times the total weight of the ground tackle.

$$\text{eg: GROUND TACKLE } 87 \text{ kg/192 lbs} \times 3 = \text{MAXIMUM PULL } 261 \text{ kg/576 lbs}$$

In this instance an **HRC8, HRC10, RC8, RC10, or VW1000** would be suitable, providing the chain and rope size is applicable to the windlass being considered. The maximum pull of 261 kg/576 lbs is well within the capability of all these anchor winches.

SAFETY AND SECURITY TIPS

Circuit breaker/isolators are used in the installation of any DC electric windlass to provide protection to motor and cables should the windlass be overloaded. Accessories such as *chain stoppers* or chain snubbers must be used for safe anchoring, the avoidance of unintentional self-launching of the anchor and for the prevention of damage to your anchor winch. You should never anchor off your winch or use your winch to pull your boat to the anchor spot. The anchor winch is designed to lift a dead weight and should not be subjected to the strain of your boat riding at anchor. If you think the winch you are considering may be too small, then go to the next size up. Better to have excess lifting capacity than not enough!

Maxwell Marine and our agents or distributors offer free and helpful advice should you have any questions. Alternatively, refer to Maxwell's website: www.maxwellmarine.com





The stainless steel (AISI 316) RC6 automatic rope/chain anchor winch is Maxwell's smallest version in the highly successful vertical RC Series Windlass Range.



RC6 Low Profile



RC6 showing, 'fast install', in-line vertical gearbox and motor

Features and benefits

- The stainless steel (AISI 316) RC6 Series incorporates a chromed bronze chainwheel suitable for use with 6 mm/7 mm (1/4") chain spliced to 12 mm (1/2") 8-braid (plait) rope
- The RC6 features Maxwell's revolutionary, and patented, Wave Design™ chainwheel. Refer below for more information about this innovative feature
- Providing most of the features of the larger RC8 (refer pages 336 - 337), the RC6 has been designed with the smaller, trailer boat market in mind
- The in-line, vertical gearbox and motor means quick and easy installation by either the boat yard or the DIY aftermarket customer
- An inexpensive, high performance and great looking windlass; the RC6 is built for durability and years of trouble free use
- The RC6 is a Low Profile unit (no optional capstan drum)

STANDARD EQUIPMENT REQUIRED FOR DUAL DIRECTION CONTROL

Dual Direction Solenoid (included)
Emergency 'free fall' activation lever (included)
Up/Down remote control panel (not included)
Circuit breaker/isolator panel (not included)

OPTIONS

1. AutoAnchor™ Equipment
2. Compact Remote
3. Foot Switches
4. Chain Stopper
5. Chain Snubber

Every Maxwell RC6 automatic rope/chain windlass comes with top works, gearbox, motor and dual direction solenoid. Switches and circuit breaker are available and need to be ordered separately. Refer chart on page 368.

3 YEAR
Limited Warranty



Maxwell's smallest version of the rope/chain anchor winch

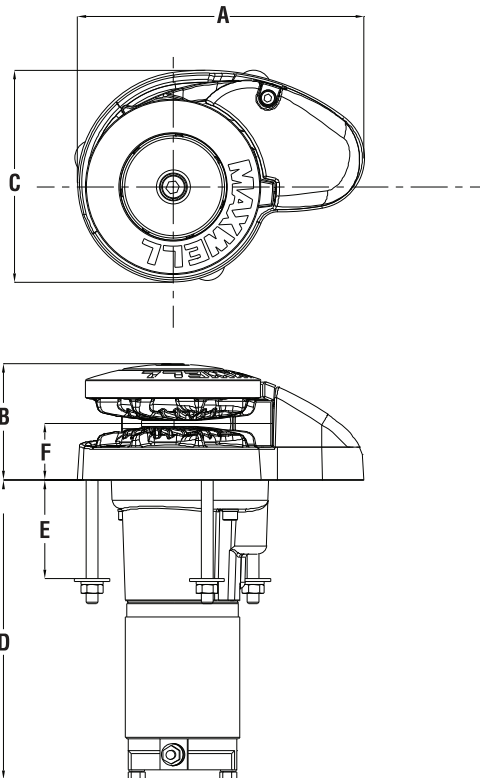
SPECIFICATIONS

Model	RC6
Maximum Pull/Lift	350 kg / 770 lbs
Static Hold	700 kg / 1540 lbs
Chain Short Link	6 mm/7 mm / 1/4"
Rope Size (Nylon)* (8 plait recommended)	12 mm / 1/2"
Chain Speed (Anchor Retrieval)	24 m/min / 79 ft/min
Rope Speed (Anchor Retrieval)	21 m/min / 69 ft/min
Power Supply (DC)	12 or 24 VDC
Motor Power	500 W
Net Weight	8.5 kg / 18.7 lb

* Refer to owners manual for rope size variations

DIMENSIONS

Model	RC6
A	196 mm / 7 3/4"
B	80 mm / 3 3/16"
C	145 mm / 5 3/4"
D	209 mm / 8 3/4"
E	65 mm / 2 1/2"
F	39 mm / 1 9/16"

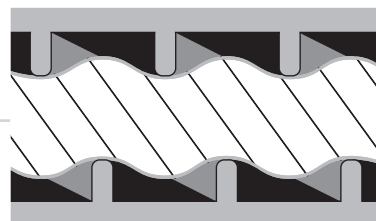


Important: Maxwell windlasses must be used in conjunction with a chain stopper or alternative snubbing device to take the load off the windlass while laying at anchor. The chain stopper and alternative snubbing system should also be used to secure the anchor in the fully raised position while under way.

MAXWELL'S REVOLUTIONARY CHAINWHEEL

Maxwell lead the market yet again in innovative thinking when they introduced the Wave Design™ chainwheel. This patented rope/chain wheel incorporates two unique design concepts that greatly improve the handling and control of the rope/chain spliced rode. The outer ribs of the chainwheel are angled slightly forward ensuring that the rope and the chain are smoothly guided in the wheel during anchor retrieval.

As the rope pulls into the wheel, the opposite facing inner ribs grip the rope in an undulating manner, securing the rope more firmly in a 'wave pattern' action that is far superior to the traditional 'jam cleat' manner of holding the rope compared to all other products on the market. Not only does this Wave Design™ hold the rope more securely, it is also kinder on the rope resulting in increased longevity of your anchor rode.





The stainless steel (AISI 316) RC8 Series of automatic rope/chain anchor winches are Maxwell's mid-range models in the highly success RC Series Windlass Range

3 YEAR
Limited Warranty

Features and benefits

- The stainless steel (AISI 316) RC8-6 Series incorporates a chromed bronze chainwheel, designed to effortlessly retrieve and deploy 6 mm/7 mm (1/4") chain spliced to 12 mm (1/2") 8-braid (plait) rope
- The more powerful RC8-8 can be used with 8 mm (5/16") chain spliced to 14 mm or 16 mm (9/16" - 5/8") 8-braid (plait) rope
- The ingenious Wave Design™ rope/chain gypsy (chainwheel) is able to accommodate a wide range of chain pitch differences within the specified chain size diameters suitable for use with the RC8 Series
- A sleek, Low Profile version and a fluted stainless steel (AISI 316) capstan drum version, are available
- Simple two piece installation saves time and money and allows easy retrofitting without disassembly of the windlass
- Unique spacer tube design allows installation through virtually any deck thickness and the multiple mounting positions and self-aligning gearbox ensure optimal location of gearbox and motor in virtually all installation situations
- The RC8 features Maxwell's revolutionary, and patented, Wave Design™ chainwheel. Refer RC6 page 334 for more information about this innovative feature
- The heavy duty stainless steel (AISI 316) pressure arm is designed to effectively help grasp the rope/chain splice, giving the RC8 an unparalleled level of performance. In combination with a heavy duty, large wire diameter, stainless steel (AISI 316) pre-loaded spring, the pressure arm always exerts maximum control pressure
- The RC8 works just as effectively with all-chain rodes
- Huge, through deck hawse pipe throat ensures easy entry of the rope/chain rode into and out of the anchor locker
- Full disassembly capability of the topworks utilising only the handle provided and an Allen key
- Manual override and 'Free Fall', using the emergency crank/clutch handle provided
- Sealed oil bath and marine-grade hard anodised, alloy gearbox provides maximum output via a precision worm and worm wheel



RC8 Low Profile Version



RC8 Low Profile Version

SPECIFICATIONS

Model	RC8 (6/7 mm-1/4")	RC8 (8 mm-5/16")
Maximum Pull/Lift	350 kg / 770 lbs	600 kg / 1320 lbs
Static Hold	1200 kg / 2640 lbs	1200 kg / 2640 lbs
Chain Short Link	6/7 mm - 1/4"	8 mm - 5/16"
Rope Size (Nylon)* (8 plait recommended)	12 mm - 1/2"	14 mm/16 mm - 9/16"-5/8"
Chain Speed (Anchor Retrieval)	28 m/min - 92 ft/min	32 m/min - 105 ft/min
Rope Speed (Anchor Retrieval)	24 m/min - 79 ft/min	28 m/min - 92 ft/min
Power Supply (DC)	12 or 24 VDC	12, 24 or 48 VDC
Motor Power	600 W	1000 W
Net Weight	12.5 kg / 27.5 lbs	16.5 kg / 36.3 lbs

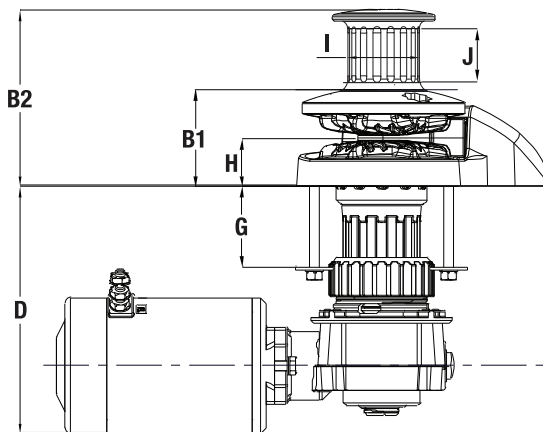
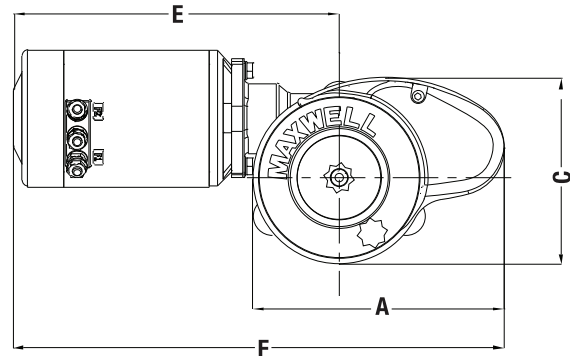
* Refer to owners manual for rope size variations

DIMENSIONS

Model	RC8 (6/7 mm-1/4")	RC8 (8 mm-5/16")
A	210 mm / 8 5/16"	210 mm / 8 5/16"
B1	83 mm / 3 5/16"	83 mm / 3 5/16"
B2 (with Capstan)	146 mm / 5 3/4"	146 mm / 5 3/4"
C	156 mm / 6 3/16"	156 mm / 6 3/16"
D	200 mm / 7 7/8"	208 mm / 8 1/4"
E	245 mm / 9 5/8"	272 mm / 10 3/4"
F	383 mm / 15"	410 mm / 16 1/4"
G (Std deck clearance) ^	65 mm / 2 1/2"	65 mm / 2 1/2"
H	40 mm / 1 5/8"	40 mm / 1 5/8"
I	66 mm / 2 5/8"	66 mm / 2 5/8"
J	44 mm / 1 3/4"	44 mm / 1 3/4"

^ extra deck clearance models available. Contact your Maxwell dealer.

Mid-range rope/chain anchor winch



Important: Maxwell windlasses must be used in conjunction with a chain stopper or alternative snubbing device to take the load off the windlass while laying at anchor. The chain stopper and alternative snubbing system should also be used to secure the anchor in the fully raised position while under way.

STANDARD EQUIPMENT REQUIRED FOR DUAL DIRECTION CONTROL

- Dual Direction Solenoid (included)
- Emergency crank/clutch release handle lever (included)
- Up/Down remote control panel (not included)
- Circuit breaker/isolator panel (not included)

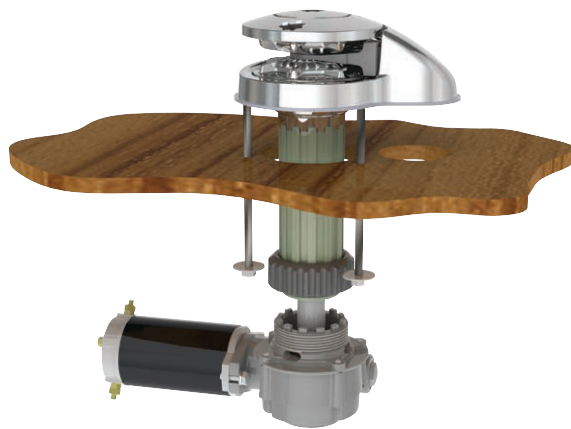
Every Maxwell RC8 automatic rope/chain windlass comes with the top works, gear box, motor and dual-direction solenoid. Switches and circuit breaker are available and need to be ordered separately. Refer chart on page 368.

HEIGHT MATCHED CHAIN STOPPER

- For use with Maxwell's rope/chain vertical windlasses
- Height adjusted to most effectively align chain with the chainwheel
- No height adjustment plinth required
- Refer to page 363 for more information



Height Matched Chain Stopper



OPTIONS

1. AutoAnchor™ Equipment
2. Compact Remote
3. Foot Switches
4. Chain Stopper
5. Chain Snubber
6. Capstan model





The stainless steel (AISI 316) RC10 Series of automatic rope/chain anchor winches are Maxwell's upper mid-range models in the highly successful RC Series Windlass Range.

Features and benefits

- The stainless steel (AISI 316) RC10-8 Series incorporates a chromed bronze chainwheel, designed to effortlessly retrieve and deploy 8 mm (5/16") chain spliced to 14 mm (9/16") or 16 mm (5/8") 8-braid (plait) rope
- The more powerful RC10-10 can be use with 10 mm (3/8") chain spliced to 16 mm (5/8") 8-braid (plait) rope
- A sleek, Low Profile version and a fluted stainless steel (AISI 316) capstan drum version, are available
- Simple two piece installation saves time and money and allows easy retrofitting without disassembly of the windlass. Unique spacer tube design allows installation through virtually any deck thickness and the multiple mounting positions and self aligning gearbox ensure optimal location of gearbox and motor in virtually all installation situations
- Full disassembly capability of the topworks utilising only the handle provided and an Allen key
- The RC10 is manufactured from marine-grade 316 stainless steel (AISI 316) and chromed bronze for long term durability. The heavy duty stainless steel (AISI 316) pressure arm, coupled with the unique rope/chain gypsy, is designed to effectively grasp the splice between rope and chain, giving the RC10 an unparalleled level of performance
- The Heavy Duty Stainless steel (AISI 316) pressure arm combined with a large wire diameter Stainless steel (AISI 316) spring ensures consistent pressure on the rode and splice
- The RC10 works just as effectively with all chain rodes for those who desire a Low Profile, elegantly styled windlass on their foredeck
- Huge, through deck hawse pipe throat ensures easy entry of the rope/chain rode into and out of the anchor locker
- Cone type clutch/brake mechanism permits manual, 'Free Fall' anchoring
- Sealed oil bath and marine-grade hard anodised, alloy gearbox provides maximum output via a precision worm and worm wheel



RC10 Capstan Version



RC10 Low Profile Version

3YEAR
Limited Warranty

SPECIFICATIONS

Model	RC10 (8 mm-5/16")	RC10 (10 mm-3/8")
Maximum Pull/Lift	700 kg 1540 lbs	850 kg 1870 lbs
Static Hold	1500 kg 3300 lbs	1500 kg 3300 lbs
Chain Short Link	8 mm 5/16"	10 mm 3/8"
Rope Size (Nylon)* (8 plait recommended)	14 mm - 16 mm 9/16" - 5/8"	16 mm 5/8"
Chain Speed (Normal Working load)	24 m/min 79 ft/min	24 m/min 79 ft/min
Rope Speed (Normal Working load)	20 m/min 65 ft/min	20 m/min 65 ft/min
Power Supply (DC)	12, 24 or 48 VDC	12, 24 or 48 VDC
Motor (Watt)	1000 W	1200 W
Net Weight	19 kg 42 lbs	20 kg 44 lbs
Hydraulic Pressure	138 bar 2000 PSI	138 bar 2000 PSI
Hydraulic Flow	20 l/min 5.3 USgal/min	20 l/min 5.3 USgal/min
Net Weight - Hydraulic	14 kg/ 42 lbs 26 kg/ 57 lbs	14 kg/ 42 lbs 26 kg/ 57 lbs

* refer to owners manual for rope size variations.

DIMENSIONS

Model	RC10 (8 mm-5/16")	RC10 (10 mm-3/8")
A	230 mm 9 1/8"	230 mm 9 1/8"
B1	89 mm 3 1/2"	89 mm 3 1/2"
B2 (with capstan)	168 mm 6 5/8"	168 mm 6 5/8"
C	170 mm 6 3/4"	170 mm 6 3/4"
D	251 mm 10"	251 mm 10"
E	272 mm 10 3/4"	272 mm 10 3/4"
F	424 mm 16 3/4"	424 mm 16 3/4"
G (Std deck clearance) ^	100 mm 4"	100 mm 4"
H	43 mm 1 3/4"	43 mm 1 3/4"
I	66 mm 2 5/8"	66 mm 2 5/8"
J	44 mm 1 3/4"	44 mm 1 3/4"

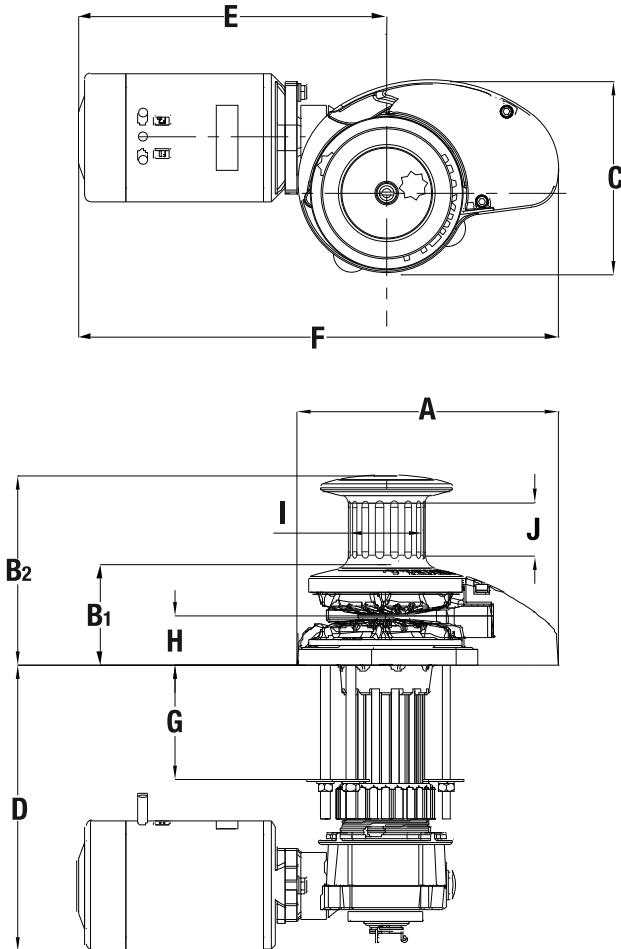
^ extra deck clearance models available. Contact your Maxwell dealer.

HEIGHT MATCHED CHAIN STOPPER

- For use with Maxwell's rope/chain vertical windlasses
- Height adjusted to most effectively align chain with the chainwheel
- No height adjustment plinth required
- Refer to page 363 for more information



Height Matched Chain Stopper



Important: Maxwell windlasses must be used in conjunction with a chain stopper or alternative snubbing device to take the load off the windlass while laying at anchor. The chain stopper and alternative snubbing system should also be used to secure the anchor in the fully raised position while under way.

STANDARD EQUIPMENT REQUIRED FOR DUAL DIRECTION CONTROL

Dual Direction Solenoid (included)
Emergency crank/clutch release handle lever (included)
Up/Down remote control panel (not included)
Circuit breaker/isolator panel (not included)

OPTIONS

1. AutoAnchor™ Equipment
2. Compact Remote
3. Foot Switches
4. Chain Stopper
5. Chain Snubber
6. Capstan model

Every Maxwell RC10 automatic rope/chain windlass comes with top works, motor/gear box and dual direction solenoid. Switches and circuit breaker are available and need to be ordered separately. Refer chart on page 368.





The RC12 Series incorporates Maxwell's latest stylish innovation in automatic rope/chain windlass technology. Retaining the classic open design styling more appropriate on larger boats, the RC12-10 and RC12-12 represent the next generation of rope/chain windlass evolution in every respect.



RC12 Capstan Model

3YEAR
Limited Warranty

Features and benefits

- The RC12 fully automatic windlass series is designed to effortlessly retrieve and deploy 10 to 13 mm (3/8" to 1/2") short link chain combined with 16 to 22 mm (5/8" to 7/8") 8-braid (plait) nylon rope
- Stainless steel (AISI 316)
- With a maximum pull of 1590 kg (3500 lb), and an anchor retrieval rate of 15 m/min (50ft/min), the RC12-12 is one of the fastest and gruntest windlasses in its class
- A sleek, Low Profile version and a fluted stainless steel (AISI 316) capstan drum version, are available
- The RC12 is packed with patented innovative features combined with Maxwell's traditionally classic aesthetics, but reflecting the modern "form follows function" of the highly successful RC6, RC8 and RC10 series windlasses
- The elegantly designed deckplate and chainpipe cover are manufactured in polished marine-grade (AISI 316) stainless steel, as are the heavy duty pressure arm, stripper, chainwheel and fluted capstan drum
- The huge, through deck hawse pipe throat ensures easy entry of the rope/chain rode into and out of the anchor locker
- Double cone-type brake/clutch mechanism permits 'Free Fall' anchoring. Cone clutches, unlike dog clutches, provide smooth progressive engagement, ensuring safe and precise operator control
- The RC12 features Maxwell's revolutionary and patented Wave Design™ chainwheel. Refer to RC6 page 335 for more information about this innovative feature
- Emergency manual retrieval is made simple and easy with Maxwell's unique "Active Latch Ratchet System" operation that prevents backwind of the windlass during manual hauling of the anchor
- The Maxwell designed, all new and innovative black, hard anodised gearbox provides numerous advantages:
 - Fast and easy windlass installation
 - More corrosion resistant
 - Easy to maintain and service
 - Takes up less room in the anchor locker
 - 75:1 Ratio (RC12-10) or 100:1 Ratio (RC12-12), single stage design with less moving parts, for smoother and quieter operation
 - Allows for multi-positioning of the gearbox/motor

Activation of the ratcheted mechanism lever ensures the windlass cannot backwind during emergency (manual) retrieval of the rode (rope and/or chain) and anchor.



SPECIFICATIONS

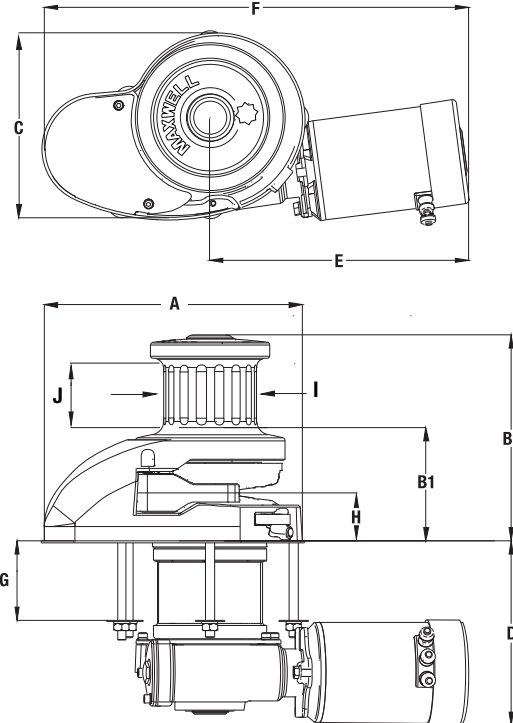
Model	RC12 (10/11 mm-3/8")	RC12 (12/13 mm-1/2")
Maximum Pull/Lift	1134 kg 2500 lbs	1590 kg 3500 lbs
Static Hold	2200 kg 4840 lbs	2200 kg 4840 lbs
Chain Short Link**	10/11 mm 3/8"	12/13 mm 1/2"
Rope Size (Nylon)** (8 plait recommended)	16-20 mm 5/8-3/4"	20-22 mm 3/4"-7/8"
Chain Speed (at normal working load)	24 m/min 79 ft/min	15 m/min 50 ft/min
Rope Speed (at normal working load)	20 m/min 65 ft/min	13 m/min 43 ft/min
Power Supply (DC)	12, 24 or 48 VDC	12, 24 or 48 VDC
Motor Power	1200 W	1200 W
Net Weight - DC (Capstan version)	32 kg 71 lbs	32 kg 71 lbs
Net Weight - DC (Low Profile version)	29 kg 64 lbs	29 kg 64 lbs
Hydraulic Pressure	138 bar 2000 PSI	138 bar 2000 PSI
Hydraulic Flow	40 l/min 11 USgal/min	40 l/min 11 USgal/min
Net Weight - Hyd (Low Profile) (Capstan version)	23 kg/ 51 lbs 26 kg/ 57 lbs	23 kg/ 51 lbs 26 kg/ 57 lbs

** When ordering please specify your specific rope and chain, combination rope

DIMENSIONS

Model	RC12 (10 mm-3/8")	RC12 (12/13 mm-1/2")
A	293 mm 11 5/8"	293 mm 11 5/8"
B ¹ (Low Profile version)	128 mm 5 1/8"	128 mm 5 1/8"
B ² (Capstan version)	233 mm 9 1/4"	233 mm 9 1/4"
C	206 mm 8 1/8"	206 mm 8 1/8"
D (Std deck clearance)	210 mm 8 3/8"	210 mm 8 3/8"
E	294 mm 11 5/8"	294 mm 11 5/8"
F	482 mm 19"	482 mm 19"
G (Std deck clearance)	90 mm 3 5/8"	90 mm 3 5/8"
H	54 mm 2 1/4"	54 mm 2 1/4"
I	106 mm 4 1/4"	106 mm 4 1/4"
J	62 mm 2 1/2"	62 mm 2 1/2"

Stylish innovation in automatic rope/chain windlass technology



RC12 Low Profile Model

Important: Maxwell windlasses must be used in conjunction with a chain stopper or alternative snubbing device to take the load off the windlass while laying at anchor. The chain stopper and alternative snubbing system should also be used to secure the anchor in the fully raised position while under way.

STANDARD EQUIPMENT REQUIRED FOR DUAL DIRECTION CONTROL

- Dual Direction Solenoid (included)
- Emergency (manual) retrieval handle (included)
- Clutch release handle (included)
- Up/Down remote control panel (not included)
- Circuit breaker/isolator panel (not included)

OPTIONS

1. AutoAnchor™ Equipment
2. Compact Remote
3. Foot Switches
4. Chain Stopper
5. Chain Snubber
6. Capstan model

HEIGHT MATCHED CHAIN STOPPER

- For use with Maxwell's rope/chain vertical windlasses
- Height adjusted to most effectively align chain with the chainwheel
- No height adjustment plinth required
- Refer to page 363 for more information



Height Matched Chain Stopper

Every Maxwell RC12 automatic rope/chain windlass comes with top works, motor/gear box and dual direction solenoid. Switches and circuit breaker are available and need to be ordered separately. Refer chart on page 368.



RC12HD

Heavy Duty Rope/Chain Series RC12HD



Heavy Duty Rope/Chain Series



RC12HD Capstan Version

- The RC12HD is designed for use with 10 to 13 mm (3/8" to 1/2") short link chain combined with 16 to 22 mm (5/8" to 7/8") nylon rope
- Classification Society approval available for specific cases, contact your Maxwell representative
- This design is particularly well suited to light duty commercial vessels requiring high service speeds, e.g. patrol vessels, as the reduced weight of the rope/chain combination removes weight from the bow
- The 38 mm (1 1/2") mainshaft is manufactured in high strength corrosion resistant 2205 Duplex stainless steel (AISI 316) and the above deck components in AISI 316 stainless steel (AISI 316) providing excellent corrosion resistance and highly polished finish
- The RC12HD is available with either a Heavy duty fan cooled 24 VDC, 48 VDC, 3 phase AC, Hydraulic motors of various displacements or single phase AC motor (contact your distributor for specifications and application). Run time and continuous pull varies between versions (see specifications on the following page)
- Double cone-type brake/clutch mechanism permits 'Free Fall' anchoring. Cone clutches, unlike dog clutches, provide smooth progressive engagement, ensuring safe and precise operator control
- The RC12HD features Maxwell's revolutionary and patented Wave Design™ chainwheel

Important: Maxwell windlasses must be used in conjunction with a chain stopper or alternative snubbing device to take the load off the windlass while laying at anchor. The chain stopper and alternative snubbing system should also be used to secure the anchor in the fully raised position while under way.

3 YEAR
Limited Warranty



RC12HD Low Profile Model

SPECIFICATIONS

	24 VDC Electric (2000W)	Hydraulic (Type 2)	Hydraulic GT (Type 1)	AC Electric
Maximum pull	1820 kg (4000 lbs)	1200 kg (2640 lbs)	1820 kg (4000 lbs)	1820 kg (4000 lbs)
Continuous pull	300 kg (660 lbs)	1200 kg (2640 lbs)	1250 kg (2750 lbs)	620 kg (1360 lbs)
Line speed at continuous pull	12 m/min (39 ft/min)	15 m/min (49 ft/min)	15 m/min (49 ft/min)	12 m/min (39 ft/min)
Working Load limit (10 min)	610 kg (1335 lbs)	1200 kg (2640 lbs)	1500 kg (3300 lbs)	750 kg (1650 lbs)
Maximum line speed	18 m/min (59 ft/min)	15 m/min (49 ft/min)	15 m/min (49 ft/min)	12 m/min (39 ft/min)
Static Hold	2200 kg (4840 lbs)	2200 kg (4840 lbs)	2200 kg (4840 lbs)	2200 kg (4840 lbs)
Net Weight (Capstan Version)	40 kg (88 lbs)	31.5 kg (69 lbs)	34 kg (75 lbs)	54 kg (118 lbs)
Power Supply	24 VDC	Hydraulic	Hydraulic	3Ph AC
Motor Power	2000 W	N/A	N/A	2200 W
Maximum Hydraulic Pressure	N/A	138 Bar (2000 PSI)	205 Bar (3000 PSI)	N/A
Recommended Hydraulic Flow	N/A	40 l/min (11 Gal/min)	28 l/min (7.5 Gal/min)	N/A

Accessories	Code	Voltage (DC)
Reversing Solenoid	SP5107	24 VDC
Circuit Breaker	P100791	135 Amp

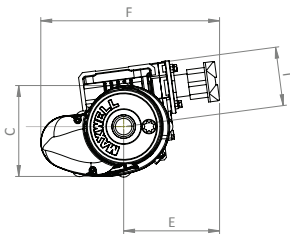
Refer to page numbers 358 - 361 for additional electrical accessories.

DIMENSIONS

	Hydraulic Type 2	Hydraulic Type 1	24 VDC Electric	3phase AC Electric
A	293 mm 11 5/8"	293 mm 11 5/8"	293 mm 11 5/8"	293 mm 11 5/8"
B ¹ (Low Profile version)	128 mm 5 1/8"	128 mm 5 1/8"	128 mm 5 1/8"	128 mm 5 1/8"
B ² (Capstan version)	233 mm 9 1/4"	233 mm 9 1/4"	233 mm 9 1/4"	233 mm 9 1/4"
C	206 mm 8 1/8"	206 mm 8 1/8"	206 mm 8 1/8"	206 mm 8 1/8"
D	241 mm 9 1/2"	243 mm 9 9/16"	241 mm 9 1/2"	270 mm 10 5/8"
E	218 mm 8 5/8"	228 mm 9"	361 mm 14 1/4"	423 mm 16 5/8"
F	406 mm 16"	416 mm 16 3/8"	549 mm 21 5/8"	611 mm 24"
G	95 mm 3 3/4"	95 mm 3 3/4"	95 mm 3 3/4"	69 mm 2 3/4"
H	54 mm 2 1/4"	54 mm 2 1/4"	54 mm 2 1/4"	54 mm 2 1/4"
I	134 mm 5 1/4"	156 mm 6 1/8"	139 mm 5 1/2"	175 mm 6 7/8"

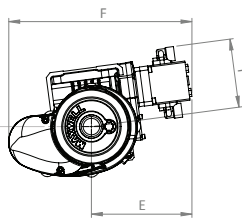
Extra Deck Clearance available, add 100m to dimensions D & G.

Hydraulic
(Motor Type 2)



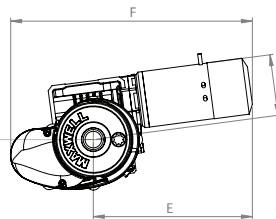
Low Profile Versions

Hydraulic GT
(Motor Type 1)



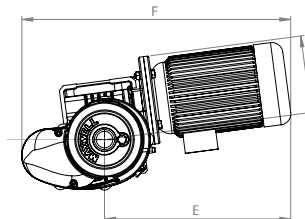
Capstan Versions

24V DC Electric

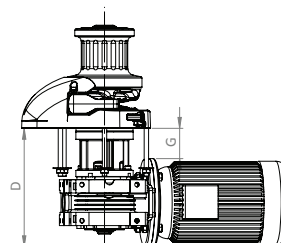
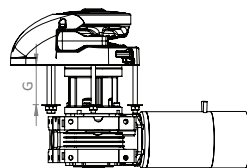
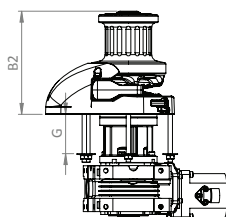
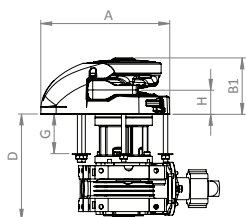


Low Profile Versions

AC 3Phase Electric



Capstan Versions



VC500



An extremely versatile capstan

ANCHORMAX™

An extremely versatile vertical capstan or general purpose electric winch for use as an anchor winch, pot hauler or davit winch.



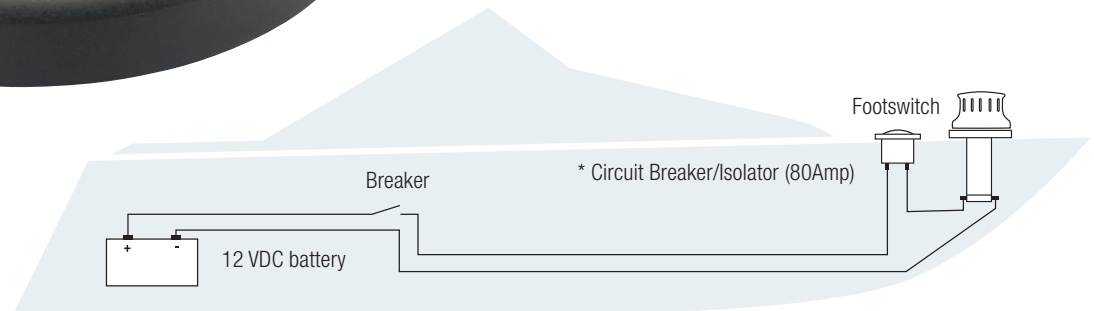
The ANCHORMAX™ has an extremely high power to weight ratio. The compact, fully sealed gearbox is driven by a vertically mounted, permanent magnet motor. Intrusion below decks is minimised making the design ideal for boats from 5 metres (16ft) to 10 metres (32ft). Fitting to the boat is simplicity itself as no dismantling of the winch is required.

The ANCHORMAX™ gear housings are marine-grade alloy and the drum is stainless steel (AISI 316). It is supplied as a single direction (clockwise) unit, complete with deck foot switch, fastenings, template and fitting instructions.

The ANCHORMAX™ is not recommended for use to haul halyards.

All standard and optional control accessories can be found on pages 358 - 361.

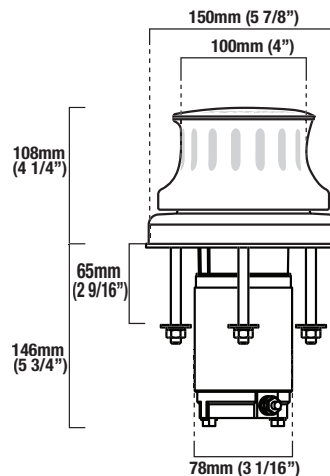
3 YEAR
Limited Warranty



*Not supplied with but recommended

ANCHORMAX SPECIFICATIONS

Maximum Line Pull/Lift	330 kg (740 lbs)
Speed @ nominal working load (80 Amps with 75 kg/165 lb load)	32 m/min (105' per min)
Voltage (DC)	12 VDC or 24 VDC
Power	500 W
Weight	5.5 kg (17.6 lbs)
Maximum Boat LOA	10 m (33')
Maximum Boat Weight	4 tonnes



High quality fluted capstan for smaller (power/sail) boats

The stainless steel (AISI 316) fluted capstan VC Series is designed for simple, low cost anchor recovery on smaller boats and rope hauling on larger vessels.

Features and benefits

- Vertical design suits smaller powerboats or sailboats and can be utilised for anchor rodes, as a docking capstan on larger craft, or auxiliary line hauling from any direction
- High quality, hard wearing stainless steel (AISI 316) above deck components
- Functional rope hauling from any direction using fluted, snag-free warping drum for positive control of all ropes
- Simplified through deck installation by modular design and precise alignment of gearbox to the topworks
- Alternative gearbox/motor positions accommodate virtually all installation situations
- Compact, reliable gearbox, made of corrosion resistant materials
- Anodized aluminium gearbox and spacer on VC500 and VC1000 models
- Heavy duty, dual direction motors, designed for marine winches
- Easily disassembled for servicing
- Can be mounted horizontally for use as a pot hauler or davit winch

STANDARD EQUIPMENT REQUIRED FOR SINGLE DIRECTION CONTROL

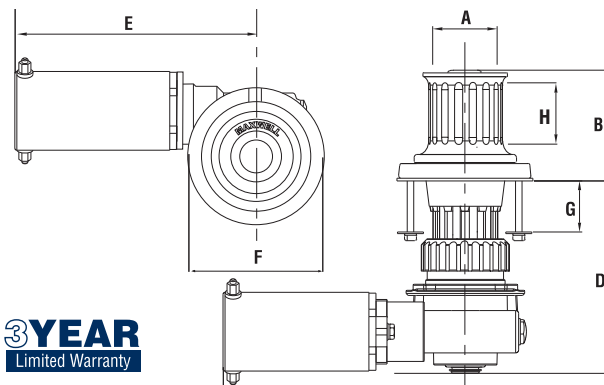
Circuit breaker/isolator panel (not included)
Single direction solenoid (included)

OPTIONS

Extra deck clearance
Hydraulic motor*
Foot Switch



VC500



DIMENSIONS

Model	500	1000
A	65 mm 2 9/16"	80 mm 3 1/8"
B	106 mm 4 3/16"	122.5 mm 4 5/6"
D (Std deck clearance)	173 mm 6 7/8"	252 mm 9 15/16"
E	245 mm 9 5/8"	272 mm 10 3/4"
F	132.5 mm 5 7/32"	160 mm 6 5/16"
G (Std deck clearance)	57 mm 2 1/4"	100 mm 4"
G (Extra deck clearance) ^	N/A	150 mm 6"
H	37.5 mm 1 7/16"	44 mm 1 3/4"

**For VC1000 a shorter deck clearance version is also available at 50 mm (2")

^ A deck clearance increase will also increase the 'D' measurement by the same increment.

SPECIFICATIONS

Model	500	1000
Maximum Pull/Lift	300 kg 660 lbs	700 kg 1540 lbs
Static Hold	N/A N/A	N/A N/A
Line Speed (Normal Working)	18 m/min 60 ft/min	20 m/min 65 ft/min
Power Supply (DC)	12 or 24 VDC	12, 24 or 48 VDC
Motor (Watt)	600 W	1000 W
Net Weight (Electric)	10 kg 22 lbs	18 kg 40 lbs
Hydraulic Pressure	*N/A *N/A	100 bar 1450 psi
Hydraulic Flow	*N/A *N/A	20 l/min 5.3 USgal/min
Net Weight - Hyd	*N/A *N/A	11 kg 24 lbs

All standard and optional control accessories can be found on pages 358 - 361.





The VW Series of anchor winches are designed for traditional rope and chain combination anchor rodes, where manual transfer of the rode from the rope warping drum to the chainwheel is required.



VW10 Capstan Version

3 YEAR
Limited Warranty

Features and benefits

- Provides the versatility of operating two anchors from one winch
- Functional rope hauling from any direction using independent MAX-grip™ snag-free warping drum with clutch disengagement of chainwheel for positive control of all ropes
- Permits use of traditional shackle and thimble rope and chain connection
- Allows alternative mounting horizontally on a fore and aft bulkhead inside chain locker for below deck installation
- High-quality finish on above deck components, manufactured from marine grade stainless steel (AISI 316) and chromed bronze, for long term durability
- Cone type brake/clutch mechanism permits manual 'Free Fall' anchoring. Cone clutches, unlike dog clutches, provide smooth progressive engagement ensuring safe operator control
- Chainwheel locking pawl (except on VW500 and VW10)
- Simplified through deck installation by modular design and precise alignment of gearbox to the topworks utilising marine-grade stainless steel (AISI 316) bolts
- Anodized aluminium gearbox and spacertube
- Heavy duty, dual direction motor, designed for marine winches
- Easily disassembled for servicing

VW10 WINDLASS FOR USE WITH SPLICED ROPE/CHAIN

The VW10 evolved from the demand for a vertical windlass that could be used in a horizontally installed configuration, but which would also, interactively handle a rope/chain rode. The chainwheels on traditional VW models could be used with chain only rodes. The VW10, capable of automatically handling up to 10 mm (3/8") chain and 16 mm (5/8") rope, is ideally suited for use in sailing boat anchor lockers, where space considerations are critical. Quick and easy to install and available with or without independent warping capstan, the VW10 is destined to become an instant hit in this unique niche market.

STANDARD EQUIPMENT REQUIRED FOR SINGLE DIRECTION CONTROL

- Dual Direction Solenoid (not included)
- Emergency crank handle/clutch control lever (included, except with VW500)
- Chainwheel to suit chain specified chain size (included)
- Circuit breaker/isolator panel (not included)
- Windlass electrical controls (not included)

OPTIONS

- | | |
|--------------------------|------------------------------------|
| 1. AutoAnchor™ Equipment | 5. Extra deck clearance kit |
| 2. Foot Switches | 6. Hydraulic motor (except on 500) |
| 3. Chain Stopper* | 7. Up/Down remote control panel |
| 4. Chain Snubber | 8. Circuit breaker/isolator panel |

All standard and optional control accessories can be found on pages 358 - 361.

Ideal for use in sailing boat anchor lockers with little available space

SPECIFICATIONS

MODEL	500	VW10-8 8 mm (5/16")	VW10-10 10 mm (3/8")	1000	1500	2500	3500
Maximum Pull/Lift	227 kg 500 lbs	700 kg 1540 lbs	850 kg 1870 lbs	700 kg 1540 lbs	850 kg 1870 lbs	1135 kg 2500 lbs	1590 kg 3500 lbs
Static Hold	600 kg 1320 lbs	1500 kg 3300 lbs	1500 kg 3300 lbs	1500 kg 3300 lbs	1500 kg 3300 lbs	2200kg 4840lbs	2200 kg 4840 lbs
Chain Short Link	6/7 mm 1/4"	8 mm 5/16"	10 mm 3/8"	6-10 mm 1/4" -3/8"	6-10 mm 1/4" -3/8"	9-11 mm 5/16"-3/8"	10-13 mm 3/8"-1/2"
Line Speed**	18 m/min (Normal Working) 59 ft/min	24 m/min 79 ft/min	24 m/min 79 ft/min	18 m/min 59 ft/min	18 m/min 59 ft/min	15 m/min 50 ft/min	15 m/min 50 ft/min
Power Supply (DC)	12 or 24 VDC	12, 24 or 48 VDC	12, 24 or 48 VDC	12, 24 or 48 VDC	12, 24 or 48 VDC	12, 24 or 48 VDC	12, 24 or 48 VDC
Motor (Watt)	600 W	1000 W	1200 W	1000 W	1200 W	1200 W	1200 W
Net Weight	10 kg (Electric) 22 lbs	19 kg 42 lbs	20 kg 44 lbs	22 kg 50 lbs	22 kg 50 lbs	38 kg 84 lbs	48 kg 105 lbs
Hydraulic	N/A	N/A	N/A	100 bar	138 bar	138 bar	138 bar
Pressure	N/A	N/A	N/A	1450 psi	2000 psi	2000 psi	2000 psi
Hydraulic Flow	N/A	N/A	N/A	20 l/min	20 l/min	36 l/min	42 l/min
	N/A	N/A	N/A	5.3USgal/ min	5.3USgal/ min	9.5USgal/ min	11USgal/ min
Net Weight (Hyd)	N/A	N/A	N/A	15 kg 34 lbs	15 kg 34 lbs	32 kg 70 lbs	40 kg 88 lbs

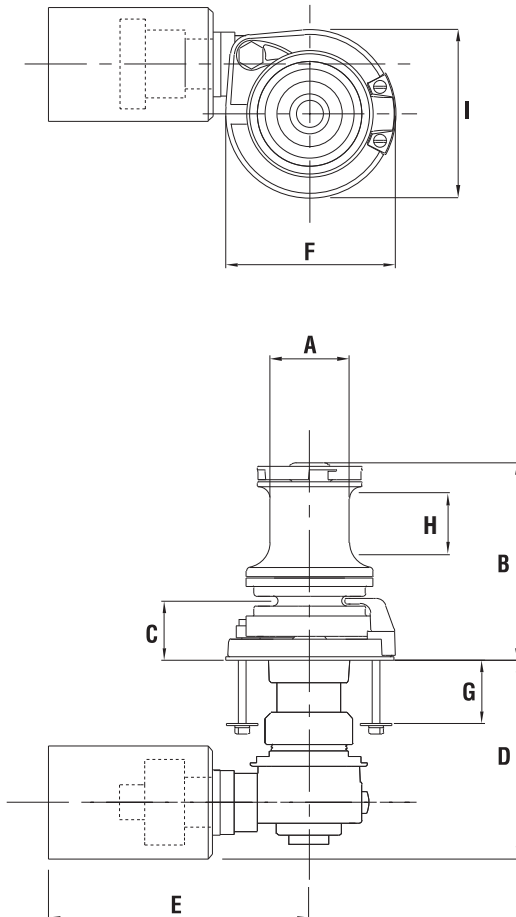
** Winch performance when hauling rope with capstan. Chain speed may vary depending on size of chain and gypsy.

DIMENSIONS

MODEL	500	VW10-8	VW10-10	1000	1500	2500	3500
A	65 mm 2 9/16"	66 mm 2 5/8"	66 mm 2 5/8"	80 mm 3 1/8"	80 mm 3 1/8"	94 mm 3 11/16"	110 mm 4 5/16"
B	151 mm 6"	168 mm 6 5/8"	168 mm 6 5/8"	198 mm 7 3/4"	198 mm 7 3/4"	251 mm 9 15/16"	276 mm 10 7/8"
C	40 mm 1 5/8"	43 mm 1 3/4"	43 mm 1 3/4"	59 mm 2 3/8"	59 mm 2 3/8"	80 mm 3 5/32"	83 mm 3 9/32"
D	173 mm 6 7/8"	252 mm 10"	252 mm 10"	252 mm 10"	252 mm 10"	219 mm 8 5/8"	219 mm 8 5/8"
E	244 mm 9 5/8"	272 mm 10 3/4"	272 mm 10 3/4"	272 mm 10 3/4"	272 mm 10 3/4"	281 mm 11 1/8"	281 mm 11 1/8"
F	133 mm 5 1/4"	172 mm 6 7/8"	172 mm 6 7/8"	165 mm 6 1/2"	165 mm 6 1/2"	190 mm 7 1/2"	270 mm 10 5/8"
G (Std deck clearance)**	57 mm 2 1/4"	100 mm 4"	100 mm 4"	100 mm 4"	100 mm 4"	85 mm 3 11/32"	85 mm 3 11/32"
G (Extra deck clearance) ^	N/A	150 mm 6"	150 mm 6"	150 mm 6"	150 mm 6"	190 mm 7 1/2"	190 mm 7 1/2"
H (Working height of drum for rope warping)	37.5 mm 1 1/2"	44 mm 1 3/4"	44 mm 1 3/4"	44 mm 1 3/4"	44 mm 1 3/4"	33 mm 1 5/16"	54 mm 2 1/8"
I	133 mm 5 1/4"	140 mm 5 5/8"	140 mm 5 5/8"	165 mm 6 1/2"	165 mm 6 1/2"	194 mm 7 5/8"	270 mm 10 5/8"

**For VW1000 and VW1500 shorter deck clearance version also available at 50 mm (2")

^ A deck clearance increase will also increase the 'D' measurement by the same increment.



Important: Maxwell windlasses must be used in conjunction with a chain stopper or alternative snubbing device to take the load off the windlass while laying at anchor. The chain stopper and alternative snubbing system should also be used to secure the anchor in the fully raised position.





The WVC Series is designed for automatic vertical handling of chain-only anchor rodes while offering an independent capstan for the retrieval of a secondary rope and chain rode or to assist with docking procedures.

Features and benefits

- Fully automatic single or dual direction chainwheel operation
- High-quality finish on above deck components, manufactured from marine grade stainless steel (AISI 316), for long term durability
- Integral chain pipe and stripper are aligned for virtually jam-free operation providing automatic feed of chain into and out of the anchor locker
- Port and starboard chain pipes for twin installations (Sizes 2500 and above only)
- Cone-type brake/clutch mechanism permits manual 'free fall' anchoring. Cone clutches, unlike dog clutches, provide smooth progressive engagement ensuring safe and precise operator control
- Chainwheel locking pawl
- Optional Band Brake available for 3500 series unit
- Clutch disengagement of the chainwheel enables independent rope hauling from any direction, using the Max-grip™ snag-free warping drum for positive control of all ropes
- Simple through deck installation by modular design and precise alignment of gearbox to the topworks utilising marine-grade stainless steel (AISI 316) bolts
- Anodized aluminium gearbox and spacer tube on all models.
- Heavy duty, dual direction motor, designed for marine winches
- Low Profile configurations (no warping drum) are available



3 YEAR
Limited Warranty

STANDARD EQUIPMENT REQUIRED FOR DUAL DIRECTION CONTROL

Dual Direction Solenoid (included)
Emergency crank handle/clutch control lever (included)
Chainwheel to suit chain specified chain size (included)
Up/Down remote control panel (not included)
Circuit breaker/isolator panel (not included)

OPTIONS

1. AutoAnchor™ Equipment
2. Foot Switches
3. Chain Stopper*
4. Up/Down remote control panel
5. Extra deck clearance kit
6. Hydraulic motor
7. Compact Remote
8. Roving remote

All standard and optional control accessories can be found on pages 358 - 361.

WVC2500



Important: Maxwell windlasses must be used in conjunction with a chain stopper or alternative snubbing device to take the load off the windlass while laying at anchor. The chain stopper and alternative snubbing system should also be used to secure the anchor in the fully raised position while under way.

Fully automatic operation for chain-only installations

SPECIFICATIONS

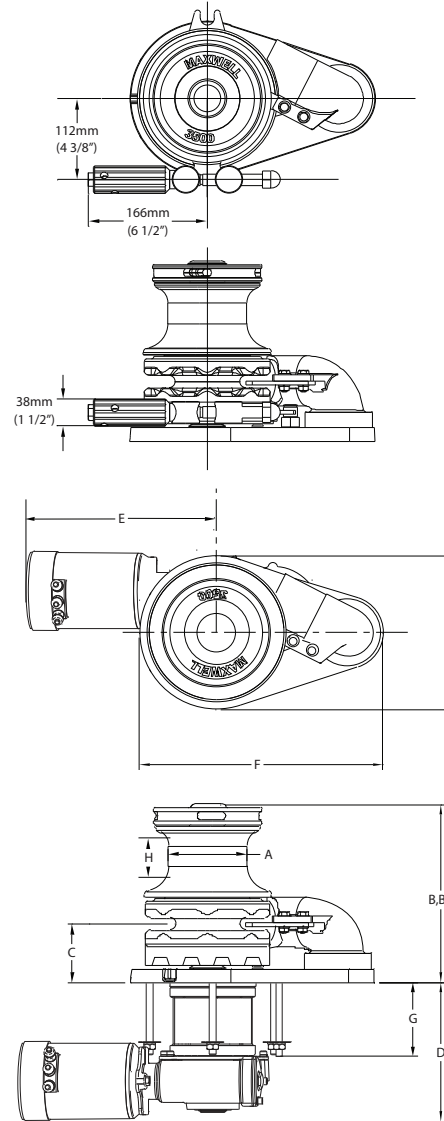
MODEL	1000	1500	2500	3500
Maximum Pull/Lift	700 kg 1540 lbs	850 kg 1870 lbs	1135 kg 2500 lbs	1590 kg 3500 lbs
Static Hold	1500 kg 3300 lbs	1500 kg 3300 lbs	2200 kg 4840 lbs	2200 kg 4840 lbs
Chain Short Link	6-10 mm 1/4"- 3/8"	6-10 mm 1/4"- 3/8"	9-11mm 5/16"- 7/16"	10-13 mm 3/8"- 1/2"
Line Speed (Normal Working)	18m/min 60 ft/min	18 m/min 60 ft/min	15 m/min 50 ft/min	15 m/min 50 ft/min
Power Supply (DC)	12, 24 or 48 VDC	12, 24 or 48 VDC	12, 24 or 48 VDC	12, 24 or 48 VDC
Motor (Watt)	1000 W	1200 W	1200 W	1200 W
Net Weight - DC	24 kg 52 lbs	24 kg 52 lbs	38 kg 84 lbs	48 kg 106 lbs
Hydraulic Pressure	100 bar 1450 PSI	138 bar 2000 PSI	138 bar 2000 PSI	138 bar 2000 PSI
Hydraulic Flow	20 l/min 5.3 USgal/min	20 l/min 5.3 USgal/min	36 l/min 9.5 USgal/min	42 l/min 11US gal/min
Net Weight - Hyd	17 kg 37 lbs	17 kg 37 lbs	32 kg 70 lbs	40 kg 88 lbs

DIMENSIONS

MODEL	1000	1500	2500	3500
A	80 mm 3 1/8"	80 mm 3 1/8"	94 mm 3 11/16"	110 mm 4 5/16"
B	195 mm 7 11/16"	195 mm 7 11/16"	242 mm 9 9/16"	254 mm 10"
B ¹ (Low Profile)	98 mm 3 7/8"	98 mm 3 7/8"	148 mm 5 27/32"	149 mm 5 7/8"
C	56 mm 2 7/32"	56 mm 2 7/32"	80 mm 3 5/32"	83 mm 3 9/32"
D	252 mm 9 5/16"	252 mm 9 5/16"	219 mm 8 5/8"	219 mm 8 5/8"
E	262 mm 10 11/32"	272 mm 10 23/32"	281 mm 11 1/8"	281 mm 11 1/8"
F	224 mm 8 27/32"	224 mm 8 27/32"	297 mm 11 23/32"	342 mm 13 7/16"
G (Std deck clearance)*	100 mm 4"	100 mm 3 11/32"	85 mm 3 11/32"	100 mm 4"
G (Extra deck clearance)^	150 mm 6"	150 mm 6"	190 mm 7 1/2"	190 mm 7 1/2"
H (Working height of drum for rope warping)	44 mm 1 3/4"	44 mm 1 3/4"	33 mm 1 5/16"	29 mm 1 1/8"
I	165 mm 6 1/2"	165 mm 6 1/2"	190 mm 7 1/2"	215 mm 8 15/32"

*For WVC1000 and WVC1500 a shorter deck clearance version is also available at 50 mm (2").

^ A deck clearance increase will also increase the 'D' measurement by the same increment.



WVC3500 Band Brake featuring Maxwell's innovative 'stow-a-way' tensioning lever



WVC3500 without Band Brake



WVC3500 Low Profile Version





The sleek, compact HRCFF 6-7-8 are Maxwell's horizontal versions of the latest innovative vertical RC6 and RC8 automatic rope/chain windlasses. The HRCFF Series are packed with original and proven features including patented rode management technology developed by Maxwell.

Features and benefits

- Now incorporating Maxwell's automatic free-fall technology. Simply activate the windlass 'Free Fall' lever, operate your down control (helm station or footswitch) and the windlass will free fall your anchor. Ready to lift the anchor? Activate the up control and the 'free fall' device automatically disengages allowing you to power up your anchor
- Aesthetically pleasing above deck design, encapsulating the motor and drive in a watertight case, saving space below deck and allowing simple routine maintenance
- Die cast, marine-grade, alloy case is hard anodized for unsurpassed marine protection
- Simple 'bolt down' installation ensures effortless and rapid on-deck installation and set up
- Trouble free rode transition from rope to chain, by means of an innovative, proven and patented pressure arm system, within a safe enclosed design
- Integrated composite nylon, through deck hawse pipe for ease of installation and smooth, snag-free operation
- High efficiency spur gearbox incorporating a robust non-backwind mechanism
- High speed, jam-free retrieval of rope and chain controlled from a remote panel mounted Up/Down switch
- Emergency 'free fall' function in the event of onboard power failure. Activated by the supplied, emergency 'Free Fall' lever
- Revolutionary Wave Design™ chainwheel - see next page
- Heavy duty, dual direction motor incorporating new technology features, including integrated wiring for quick electrical installation



HRCFF

3 YEAR
Limited Warranty



STANDARD EQUIPMENT REQUIRED FOR DUAL DIRECTION CONTROL

Dual Direction Solenoid (included)
Clutch Release Handle (included)
Up/Down remote control panel (not included)
Circuit breaker panel (not included)

OPTIONS

1. AutoAnchor™ Equipment
2. Compact Remote
3. Foot Switches
4. Chain Stopper
5. Chain Snubber

Every Maxwell HRCFF 6-7-8 windlass comes with top works, motor/gear box and dual direction solenoid. Switches and circuit breaker are available and need to be ordered separately. Refer chart on page 368.

Important: Maxwell windlasses must be used in conjunction with a chain stopper or alternative snubbing device to take the load off the windlass while laying at anchor. The chain stopper and alternative snubbing system should also be used to secure the anchor in the fully raised position while under way.



Compact horizontal automatic rope/chain windlass

SPECIFICATIONS

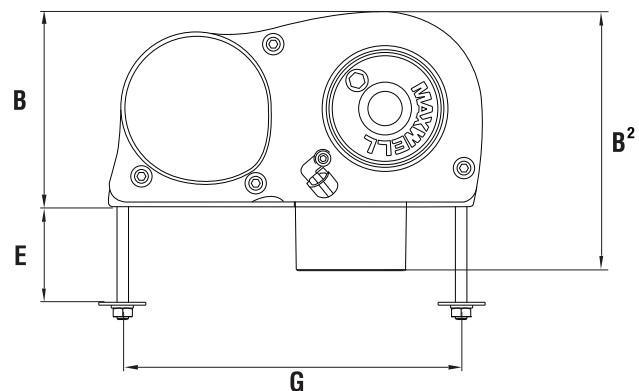
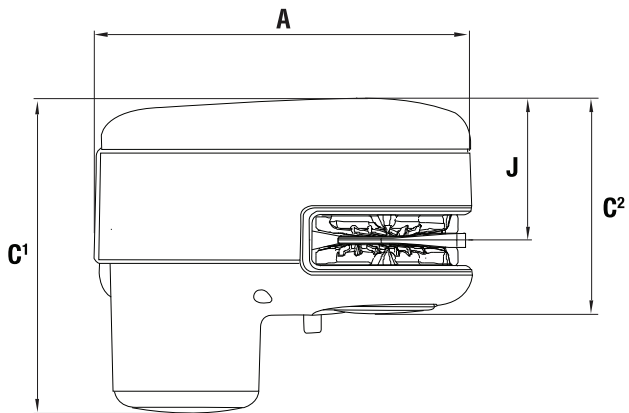
Model	HRCFF6	HRCFF7	HRCFF8
Maximum Pull/Lift	410 kg 900 lbs	410 kg 900 lbs	410 kg 900 lbs
Static Hold	700 kg 1540 lbs	700 kg 1540 lbs	700 kg 1540 lbs
Chain Short Link	6 mm	7 mm 1/4"	8 mm 5/16"
Rope Size (Nylon)* (8 plait recommended)	12 mm 1/2"	12 mm 1/2"	14 mm 9/16"
Line Speed (Anchor Retrieval)	33 m/min 108 ft/min	33 m/min 108 ft/min	33 m/min 108 ft/min
Power Supply (DC)	12 VDC	12 VDC	12 or 24 VDC
Motor Power	600 W	600 W	600 W
Net Weight	11.5 kg 25 lbs	11.5 kg 25 lbs	11.5 kg 25 lbs

*refer to owners manual for rope size variations.

DIMENSIONS

All Models	mm	inches
A	256	10 1/8
B	132	5 11/32
B ²	176	6 7/8
C ¹	214	8 7/16
C ²	147	5 3/4
E	65	2 1/2
G	230	9 1/16
J	96.4	3 7/8

All standard and optional control accessories can be found on pages 358 - 361.



MAXWELL'S REVOLUTIONARY CHAINWHEEL

Maxwell lead the market yet again in innovative thinking when they introduced the Wave Design™ chainwheel. This patented rope/chain wheel incorporates two unique design concepts that greatly improve the handling and control of the rope/chain spliced rode.

The outer ribs of the chainwheel are angled slightly forward ensuring that the rope and the chain are smoothly guided in the wheel during anchor retrieval. As the rope pulls into the wheel, the opposite facing inner ribs grip the rope in an undulating manner, securing the rope more firmly in a 'wave pattern' action that is far superior to the traditional 'jam cleat' manner of holding the rope compared to all other products on the market. Not only does this Wave Design™ hold the rope more securely, it is also kinder on the rope resulting in increased longevity of your anchor rode.



HRC10

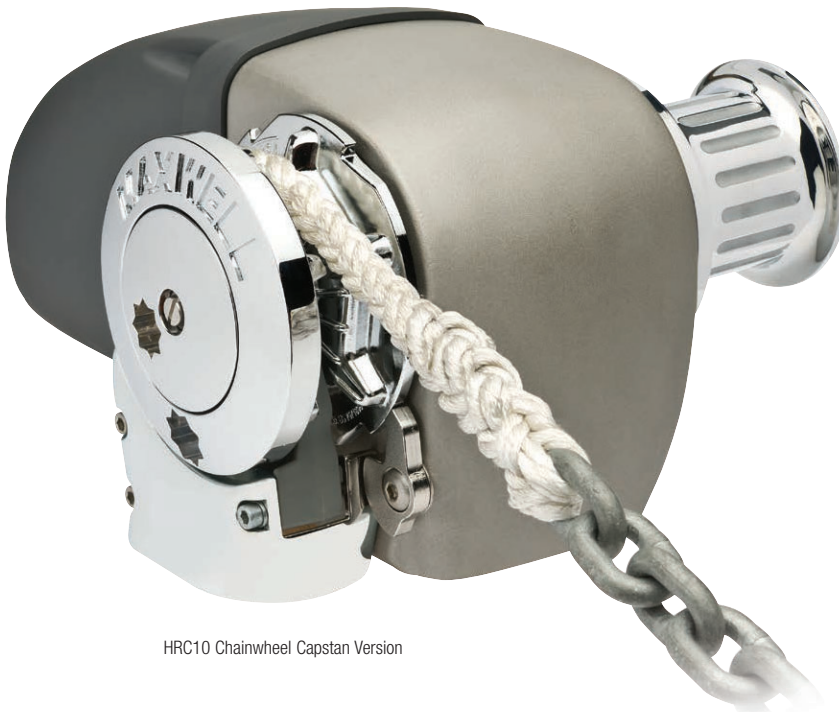
Horizontal Rope/Chain Series HRC10-8 • HRC10-10



The HRC10 Horizontal Series windlasses proudly follow in the highly successful footsteps of Maxwell's previous, fully automatic rope/chain anchor winches.

Features and benefits

- The HRC10 fully automatic horizontal windlass series is designed to effortlessly retrieve and deploy 8 mm (5/16") and 10 mm (3/8") short link chain and 14 mm (9/16") and 16 mm (5/8") three strand or 8-braid (plait) rope
- The more powerful HRC10-10 can be used with 10 mm (3/8") chain spliced to 16 mm (5/8") 8-braid (plait) rope
- The aesthetically pleasing above deck design, evolved from the philosophy of form follows function, encapsulates the motor and drive in a two part watertight case, saving space below deck
- The two part case consists of a die cast, marine-grade hard anodised alloy front section and a rugged and easily removable composite motor cover aft section
- This two piece watertight case allows for quick and easy, on-deck, routine maintenance
- Simple 'bolt down' installation ensures effortless and rapid on-deck installation and set up
- The stainless steel (AISI 316) pressure arm always exerts maximum control pressure on the rode (rope, splice or chain)
- The revolutionary patented Wave Design™ chainwheel is able to accommodate a wide range of chain pitch differences, within the specified chain size diameters, suitable for use with the HRC10 Series. Refer page 351 for more information about this innovative feature
- The unique Maxwell 'wrap around' horizontal chainwheel ensures that more than 90° of the wheel is used, allowing greatly improved rope and chain handling compared with competitor designs
- The HRC10 works just as effectively with all-chain rodes for those who desire the added security and holding power of an all-chain anchor system
- The integral chain pipe and huge, through deck hawse pipe throat ensures easy entry of the rope/chain rode into and out of the anchor locker
- Cone type clutch/brake mechanism permits manual, 'free fall' anchoring and emergency crank recovery of the rode and anchor if required
- The sealed oil bath and marine-grade hard anodised, alloy gearbox provides high efficiency output drive via precision worm and wormwheel



HRC10 Chainwheel Capstan Version



HRC10 Non Capstan Version

3 YEAR
Limited Warranty

STANDARD EQUIPMENT REQUIRED FOR DUAL DIRECTION CONTROL

Dual Direction Solenoid (included)
Emergency crank/clutch release handle (included)
Up/Down remote control panel (not included)
Circuit breaker/isolator panel (not included)

OPTIONS

1. AutoAnchor™ Equipment
2. Compact Remote
3. Foot Switches
4. Chain Stopper
5. Chain Snubber

Every Maxwell HRC10 windlass comes with top works, motor/gear box and dual direction solenoid. Switches and circuit breaker are available and need to be ordered separately. Refer chart on page 368.

3 YEAR
Limited Warranty

Eye-catching fully automatic horizontal windlass with great capacities

SPECIFICATIONS

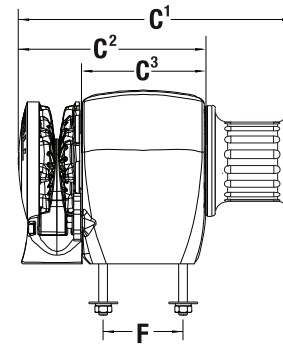
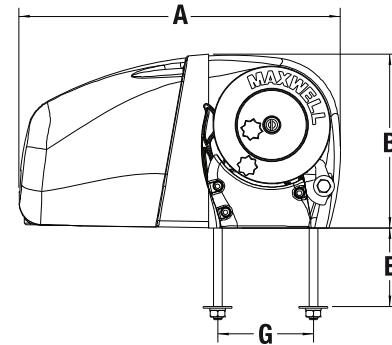
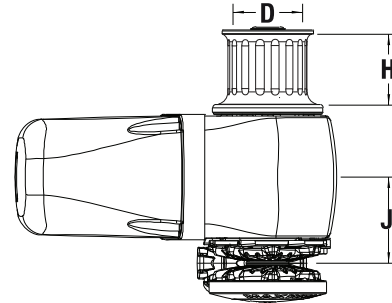
Model	HRC10-8* 8 mm - 5/16"	HRC10-10* 10 mm - 3/8"
Maximum Pull/Lift	700 kg 1540 lbs	850 kg 1870 lbs
Static Hold	1500 kg 3300 lbs	1500 kg 3300 lbs
Chain Short Link	8 mm 5/16"	10 mm 3/8"
Rope Size	14 mm - 16 mm 9/16" - 5/8"	16 mm 5/8"
Chain Speed (Anchor Retrieval)	24 m/min 79 ft/min	24 m/min 79 ft/min
Rope Speed (Anchor Retrieval)	20 m/min 65 ft/min	20 m/min 65 ft/min
Power Supply (DC)	12, 24 or 48 VDC	12, 24 or 48 VDC
Motor (Watt)	1000 W	1200 W
Net Weight	19 kg 42 lbs	20 kg 44 lbs
Hydraulic Pressure	138 bar 2000 psi	138 bar 2000 psi
Hydraulic Flow	20 L/min 5.3 USgal/min	20 L/min 5.3 USgal/min
Net Weight - Hyd	13 kg 28 1/2 lbs	13 kg 28 1/2 lbs

Non Capstan Version. Weight is 1kg/2.2lbs less than above indicated.

*8 mm - 5/16" or 10 mm - 3/8" chainwheels can be used on either of the above models

DIMENSIONS

Model	HRC10-8* 8 mm - 5/16"	HRC10-10* 10 mm - 3/8"
A	369 mm 14 9/16"	369 mm 14 9/16"
B	199 mm 7 7/8"	199 mm 7 7/8"
C ¹	316 mm 12 1/2"	316 mm 12 1/2"
C ²	225 mm 8 7/8"	225 mm 8 7/8"
C ³	140 mm 5 1/2"	140 mm 5 1/2"
D	80 mm 3 3/16"	80 mm 3 3/16"
E (standard deck clearance)	90 mm 3 9/16"	90 mm 3 9/16"
F	92 mm 3 9/16"	92 mm 3 9/16"
G	110 mm 4 3/8"	110 mm 4 3/8"
H	80 mm 3 3/16"	80 mm 3 3/16"
J	99 mm 4"	99 mm 4"



Important: Maxwell windlasses must be used in conjunction with a chain stopper or alternative snubbing device to take the load off the windlass while laying at anchor. The chain stopper and alternative snubbing system should also be used to secure the anchor in the fully raised position while under way.





The HWC Series is designed for automatic horizontal handling of chain-only anchor rodes while offering an independent capstan for the retrieval of a secondary rope and chain rode or to assist with docking procedures.

Features and benefits

- Fully automatic single or dual direction chainwheel operation, for use with chain only rodes
- Functional rope hauling from fore and aft using independent fluted stainless steel (AISI 316) snag-free warping drum with clutch disengagement of chainwheel for positive control of all ropes
- Optional dual anchor handling with smooth independent control of each chainwheel via cone clutches
- Chain pipe assembly supplied
- Cone-type clutch/brake mechanism permits manual 'free fall' anchoring. Cone clutches, unlike dog clutches, provide smooth progressive engagement ensuring safe and precise operator control
- Chainwheel locking pawl to assist when using warping drum independently
- Simple deck mounted installation with no under deck parts
- Simplified maintenance with ability to strip the running gear (chainwheel and drum) from the windlass without disturbing the windlass mounting
- Heavy duty, dual direction motor, designed for marine winches
- Chainwheel and warping drum of high-quality chrome finish over marine-grade bronze
- Marine-grade alloy casing pretreated, powder coated and finished with a two component white polyurethane paint

STANDARD EQUIPMENT REQUIRED FOR DUAL DIRECTION CONTROL

- Dual Direction Solenoid (included)
- Chain pipe and chainwheel to suit chain size specified (included)
- Emergency crank/clutch release handle (included)
- Up/Down remote control panel (not included)
- Circuit breaker/isolator panel (not included)

OPTIONS

- | | |
|---------------------------------|--------------------|
| 1. AutoAnchor™ Equipment | 5. Hydraulic motor |
| 2. Foot Switches | 6. Compact Remote |
| 3. Chain Stopper* | 7. Roving remote |
| 4. Up/Down remote control panel | |



HWC3500 Chainwheel Capstan Version

3 YEAR
Limited Warranty



HWVC3500 Double Chainwheel Capstan Version

3 YEAR
Limited Warranty

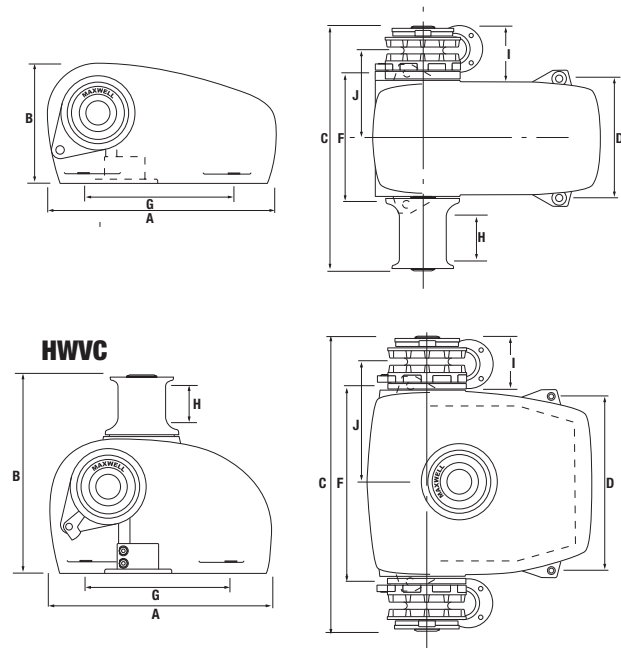
Horizontal handling for chain-only anchor rodes

SPECIFICATIONS

MODEL	2500	3500	HWVC3500
Maximum Pull/Lift	1135 kg 2500 lbs	1590 kg 3500 lbs	1590 kg 3500 lbs
Static Hold	2200 kg 4840 lbs	2200 kg 4840 lbs	2200 kg 4840 lbs
Chain Short Link	9-11mm 3/16"- 3/8"	8-13mm 3/8"- 1/2"	8-13mm 3/8"- 1/2"
Line Speed (Normal Working)	15 m/min 50 ft/min	15 m/min 50 ft/min	10 m/min 33 ft/min
Power Supply (DC)	12, 24 or 48 VDC	12, 24 or 48 VDC	12 or 24 VDC
Motor (Power)	1200 W	1200 W	1200 W
Net Weight - DC	55 kg 121 lbs	57 kg 125 lbs	94.5 kg 208 lbs
Hydraulic Pressure	135 bar 1950 psi	138 bar 2000 psi	138 bar 2000 psi
Hydraulic Flow	36 l/min 9.5 USgal/min	40 l/min 11 USgal/min	40 l/min 11 USgal/min
Net Weight - Hyd	48.5 kg 107 lbs	49 kg 107 lbs	80 kg 176 lbs

DIMENSIONS

MODEL	2500	3500	HWVC3500
A	495 mm 19 1/2"	515 mm 20 9/32"	515 mm 20 9/32"
B	289 mm 11 3/8"	316 mm 12 7/16"	446 mm 17 9/16"
C	516 mm 20 5/16"	549 mm 21 5/8"	710 mm 28"
D (Hole centres)	234 mm 9 1/4"	260 mm 10 1/4"	417 mm 18 7/16"
F (Hole centres)	278 mm 10 15/16"	308 mm 12 1/8"	464 mm 18 1/4"
G (Approximate hole centres)	300 mm 11 13/16"	348 mm 13 11/16"	348 mm 13 11/16"
H (Working height of drum for rope warping)	60 mm 2 3/8"	53 mm 2 3/32"	53 mm 2 3/32"
I	125 mm 4 15/16"	130 mm 5 1/8"	130 mm 5 1/8"
J	194 mm 7 5/8"	208 mm 8 3/16"	287 mm 11 19/64"



Note: HWC Single chainwheel, Single drum version shown. HWC and HWVC also available with variants of chainwheel, Chainwheel + drum, Drum only on either side of case.

Important: Maxwell windlasses must be used in conjunction with a chain stopper or alternative snubbing device to take the load off the windlass while laying at anchor. The chain stopper and alternative snubbing system should also be used to secure the anchor in the fully raised position while under way.



KADEY KROGEN 58' FITTED WITH HWVC3500

All standard and optional control accessories can be found on pages 358 - 361.





**A new heavy duty winch has arrived:
explore our TASMAN Series!**



Tasman 8

Features

- Robust, reliable, high performance Drum Winch
- Exceptional performance using Maxwell proven gearbox and motor
- Long life - Stainless steel (AISI 316) and Marine Anodised construction
- Easy install through separate legs and flexibility of motor positioning
- Simple emergency operation allows anchor deployment if power is lost
- Maxwell proprietary gearbox - custom ratio for optimised performance, direct fit to larger diameter shafts, large bearings and seals, robust design
- Proven Maxwell 1000W motor on the TASMAN 8 and 600W motor on TASMAN 6 series
- Large diameter high strength shaft - higher holding load and improved resistance to bending
- Large diameter plain bearings for a longer life, stronger and more robust in the harsh marine environment. Non gearbox end is self lubricated composite bearing for minimal maintenance
- MAX Warp - high strength combined with stretch for absorbing shock loads - optimised rope construction for maximum hold with enough stretch to minimise impact loads when anchored
- Engineered mounting design, optimised for strength, compact dimensions through integration with gearbox
- High quality marine galvanised chain

STANDARD EQUIPMENT REQUIRED FOR DUAL DIRECTION CONTROL

- Dual Direction Solenoid (included)
- Up/Down remote control panel (included)
- Circuit breaker/isolator panel (included)

OPTIONS

1. AutoAnchor™ Equipment
2. Foot Switches
3. Chain Stopper*
4. Compact Remote
5. Roving remote

SP5107 24 VDC
(see page 359)



**P105093
P105094**
(see page 363)



P102938
(see page 358)



**P100789
P100790
P100791
P102903**
(see page 359)



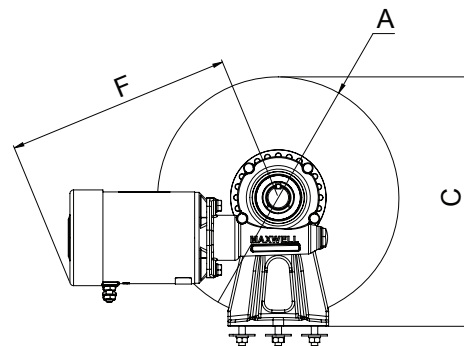
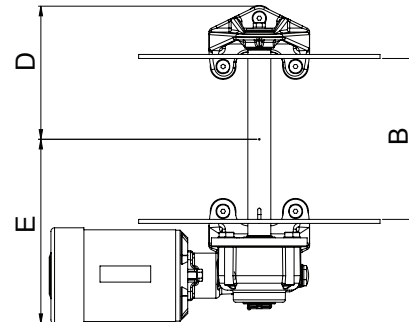
Tasman winch, reel in true adventure

SPECIFICATIONS

MODEL	6-6	6-4	8-8	8-6
Electric motor	DC	DC	DC	DC
Motor power	600 W	600 W	1000 W	1000 W
Voltage (DC)	12 or 24 VDC	12 or 24 VDC	12, 24 or 48 VDC	12, 24 or 48 VDC
Max Pulling force				
- 1 layer on drum	700 kg 1540 lbs	700 kg 1540 lbs	1000 kg 2200 lbs	1000 kg 2200 lbs
- Full drum	100 kg 220 lbs	100 kg 220 lbs	350 kg 770 lbs	350 kg 770 lbs
Haulage Speed				
- 1 layer on drum	7.5 m/min	13 m/min	13 m/min	13 m/min
- Full drum	50 m/min	50 m/min	60 m/min	60 m/min
Rope size	6 mm MAX warp x 70 m	4 mm UHMWPE x 100 m + 6 mm MAX warp x 10 m	8 mm MAX warp x 100 m	6 mm MAX warp x 150 m
Chain size	6 mm Short Link DIN766 x 10 m	6 mm Short Link DIN766 x 10 m	8 mm Short Link DIN766 x 10 m	6 mm Short Link DIN766 x 10 m
Net weight (incl. rope/chain)	24 kg	24 kg	37 kg	31 kg

DIMENSIONS

MODEL	TASMAN 6		TASMAN 8	
	mm	inch	mm	inch
A	200	7 7/8	300	11 3/4
B	180	7 1/16	200	7 7/8
C	210	8 1/4	310	12 1/4
D	155	6 1/16	165	6 1/2
E	209	8 1/4	229	9
F	259	10 3/16	280	11



Tasman 6



3 YEAR
Limited Warranty

Accessories

Control Gear



When it comes to anchoring, Maxwell provides the ultimate anchoring solution backed by sound advice and after sales service. A full range of anchoring accessory items are available. Please contact your nearest Maxwell office or local distributor for helpful advice and assistance.

Maxwell will supply not only your anchor winch or capstan, but also a complete anchoring package consisting of control gear, circuit protection, anchors, rope, chain, chain stoppers, chain snubbers, swivels, shackles, bow rollers, etc.

UP/DOWN CONTROLS

Easy to use, panel-mounted Up/Down switches for remote windlass operation from the helm, fly bridge or cockpit. Suitable for use with dual-directional solenoids.

- Manufactured from marine-grade materials
- Splash proof
- Suitable for 12 and 24 VDC use
- Includes on/off switch and power indicator light (B only)



**UP/DOWN REMOTE PANEL
(TOGGLE TYPE)
(P102938)**

(A)



**UP/DOWN REMOTE PANEL
(PUSH BUTTON TYPE)
(P102983)**

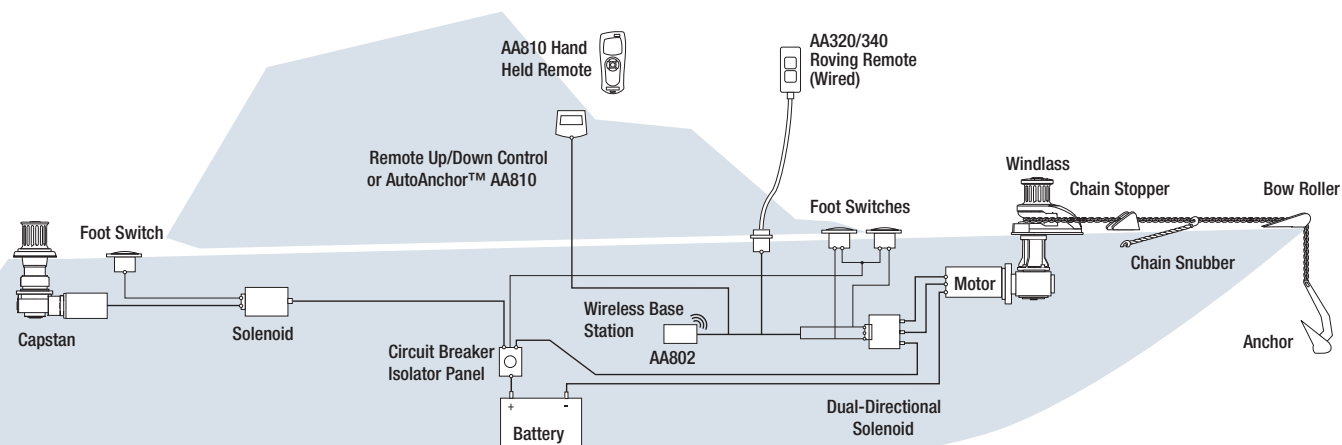
(B)

Accessories Positioning Guide

The correct installation of your Maxwell windlass or capstan and all associated anchoring equipment will ensure that you get years of trouble free service. It is worth taking the time to install all accessories and electrical wiring or hydraulic connections carefully and professionally.

Your Maxwell Owner's Manual will provide you with all the information you, or your service agent, needs to properly set up your specific installation. The indicative diagram gives you some idea of what is involved and is a guide only.

Note: All the accessories shown are not necessarily available from every Maxwell warehouse. Please contact your nearest Maxwell office for availability.



HEAVY DUTY FOOT SWITCH

Maxwell heavy-duty, weather resistant units have a UV stabilised water proof membrane and are supplied complete with mounting instructions and screws.

- Rated at 150 amps maximum current and suitable for 12 or 24 VDC applications
- Nickel-plated copper contacts ensure corrosion-free, reliable operation



Type	Description	Ø mm	Height mm	Depth mm
P19001	Foot switch, with stainless steel (AISI 316) bezel	108	20	49
P19006	Foot switch, with black cover	104	21	47
P19007	Foot switch, with white cover	104	21	47
P19008	Foot switch, black synthetic bezel	108	20	49
P100735	Foot switch, with stainless steel (AISI 316) cover	118	24	50

COMPACT FOOT SWITCH

Maxwell's, compact up and down foot switches now available in black and white cover versions. These 5 Amp rated switches are required to be operated via solenoids, which also allows for smaller diameter wiring.



Type	Description	Ø mm	Height mm
P104809	Compact Foot Switch with white cover	65	22
P104810	Compact Foot Switch with black cover	65	22

CIRCUIT BREAKER/ISOLATOR PANELS

Maxwell circuit breaker/isolator panels are available to suit a wide range of windlasses and capstans.

- For protection of the main conductor circuit for DC winches
- Enables the battery, or electrical supply, to be isolated when winch is not in use
- Suitable for 12 or 24 VDC systems



P100789	40 AMP	P100791	135 AMP
P100790	80 AMP	P102903	70 AMP

DUAL AND SINGLE DIRECTION SOLENOIDS

Dual Direction Solenoids are used in conjunction with remote Up/ Down panel, AutoAnchor™ Rode Counters, roving hand held remote controls and/or foot switches to switch the motor in the required direction.

- Heavy-duty solenoids, suitably rated for our winch motors
- Available in 12 or 24 VDC control coil voltage
- Contacts suitable for voltages up to 48 VDC and configured for Single direction motors
Single pole normally open <2kw

2 and 4 terminal motors (PM/FW)
polarity reversing <1.2kw
polarity reversing <2.5kw

3 terminal motors (SW)
Pole switching <2.5kw

- Ignition protected solenoids
- IP 66 rating
- Installation in a dry area is always recommended



Single Direction Solenoids should be used where only single direction motor rotation is necessary. E.g. capstan winches.

SINGLE DIRECTION	SP1393 12 VDC (PM/SW <15KW 40% DUTY)
SINGLE DIRECTION	SP1394 24 VDC (PM/SW <3KW 40% DUTY)

DUAL DIRECTION	SP5102 12 VDC (PM <1KW 40% DUTY)
DUAL DIRECTION	SP5103 24 VDC (PM <2KW 40% DUTY)
DUAL DIRECTION	SP5104 12 VDC (SW <1.5KW 40% DUTY)
DUAL DIRECTION	SP5105 24 VDC (SW <3KW 40% DUTY)
DUAL DIRECTION	SP5106 24 VDC (SW <3KW 100% DUTY)
DUAL DIRECTION	SP5107 24 VDC (FW <3KW 40% DUTY)





RETRACTABLE VERTICAL CAPSTAN

The Maxwell Retractable Vertical Capstan (RVC) has been designed not only for superb functionality, but with the aim that aesthetics aboard any yacht are also paramount. The top of the capstan drum is pleasing to the eye with a mirror polished surface, when flush with the deck in the fully retracted position.

The RVC is a great solution for; clear decks on the bow of high performance sailboats, cockpits without trip hazards on sports-fishers, amidship capstans with clear companionways or hidden line handling on classic motoryachts.

Features

- Retracts flush with deck
- All stainless steel (AISI 316) construction
- Robust design with environmental protection to withstand regular submersion on high performance sailboat installations
- Great option to free up space on deck
- Easy operation
 - one button to raise and use
 - one button reverse to retract
- Available in DC (12 VDC / 24 VDC / 48 VDC) and Hydraulic

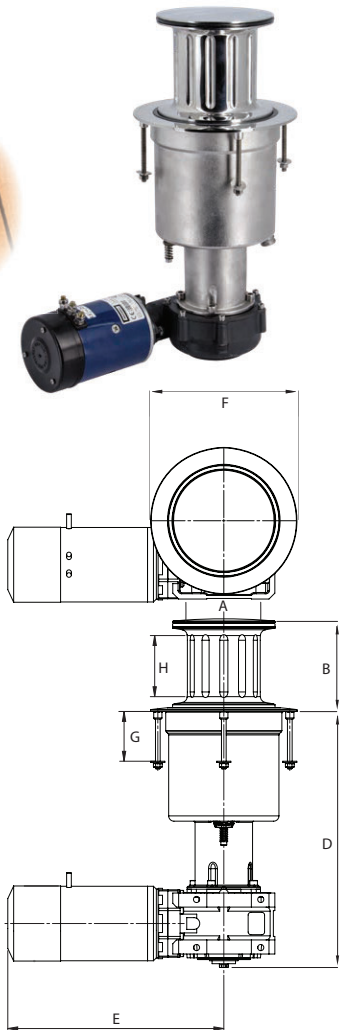
STANDARD EQUIPMENT REQUIRED

Circuit breaker/isolator panel (not included)

Dual Direction Solenoid (included)

OPTIONS

1. Hydraulic motor
2. Foot Switch
3. Teak insert



SPECIFICATIONS

Model	1500	2500	2500	2500
Maximum Pull/Lift	680 kg 1500 lbs	1135 kg 2500 lbs	1135 kg 2500 lbs	1135 kg 2500 lbs
Static Hold	1750 kgf 3850 lbs	1750 kgf 4840 lbs	1750 kgf 4840 lbs	1750 kgf 4840 lbs
Line Speed (Normal Working)	22 m/min 72 ft/min	11 m/min (12 VDC) 36 ft/min	11 m/min (24 VDC) 65 ft/min	14 m/min (Hyd) 46 ft/min
Power Supply (DC)	12, 24 or 48 VDC	12 VDC	24 VDC	Hydraulic
Motor (Watt)	1200 W	1500 W	2000	N/A
Net Weight (Electric)	30 kg 66 lbs	37 kg 82 lbs	37 kg 82 lbs	37 kg 82 lbs
Hydraulic Pressure	N/A	N/A	N/A	140 bar 2470 psi
Hydraulic Flow	40 l/min 11 USgal/min	50 l/min 13.2 USgal/min	50 l/min 13.2 USgal/min	50 l/min 13.2 USgal/min
Net Weight - Hyd	24 kg 53 lbs	31 kg 68 lbs	31 kg 68 lbs	31 kg 68 lbs

DIMENSIONS

Model	1500	2500	2500	2500
A	124 mm 4 7/8"	124 mm 4 7/8"	124 mm 4 7/8"	124 mm 4 7/8"
B	158 mm 6 1/4"	158 mm 6 1/4"	158 mm 6 1/4"	158 mm 6 1/4"
D	401 mm 15 13/16"	437 mm 17 13/16"	437 mm 17 13/16"	437 mm 17 13/16"
E	281 mm 11 1/16"	323 mm (12 VDC) 12 11/16"	368 mm (24 VDC) 14 1/2"	240 mm (Hyd) 9 7/16"
F	250 mm 9 13/16"	250 mm 9 13/16"	250 mm 9 13/16"	250 mm 9 13/16"
G	85 mm 3 5/16"	85 mm 3 5/16"	85 mm 3 5/16"	85 mm 3 5/16"
H	104 mm 4 1/8"	104 mm 4 1/8"	104 mm 4 1/8"	104 mm 4 1/8"

PRODUCT FEATURES

- Windlass monitoring from the helm
- Simple Plug & Play sensor installation
- Accurate information for all-chain or combination rope/chain rodes
- Flexibility of magnet and sensor gap from 3 mm to 50 mm
- Easy set up
- Multiple unit installation options - combine with other Maxwell AA products for total windlass control
- Fits all DC, AC and hydraulic windlasses
- Inbuilt diagnostics for troubleshooting installation issues
- EMC protection to CE EN60945

MAXWELL AA710 WIRELESS, HAND HELD REMOTE WINDLASS CONTROLLER AND RODE COUNTER

All the features of the AA560 plus options to control a bow thruster or deck lights and anchor wash.

- High level wireless transmission security - 2.4GHz ISM band
- Hand held controller displays rode count plus signal strength and battery level
- Water resistant to IP67
- Console requires two AA batteries
- Rubber molding for grip and non-slip protection
- Ergonomic shape with wrist strap connector
- Console holder and protective cover
- Shockproof
- EEE 802.15.4 compliant

Kit includes: one hand held remote control and one base station, one sensor and one magnet.

Note: Two base stations can be operated by one remote to allow control of two windlasses. Plug and Play connectors, T-Connectors and Gender Adapters are also available. Contact your Maxwell Dealer.



(P102981)

MAXWELL AA560 WIRED PANEL MOUNT WINDLASS CONTROLLER AND RODE COUNTER

(P102944)

SPECIAL FEATURES

- Preset stopping point and docking alarm on retrieval
- One-touch function to deploy and retrieve a preset length of rode
- Adjustable back lit display in feet, metres or fathoms
- Graphic LCD screen featuring intuitive user interface for simple operation
- Displays windlass speed and direction
- Safety lock to help protect against accidental windlass deployment
- Logs windlass operation hours to help ensure regular windlass maintenance
- Weather cover and choice of black or gray console

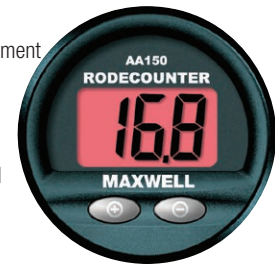
Kit includes one console, one sensor and one magnet



MAXWELL AA150 WIRED PANEL MOUNT RODE COUNTER

- Docking alarm
- Standard 60mm (2.36") marine instrument console
- Choice of feet or metre count readout
- Large, adjustable, backlit LCD display

Kit includes one console, one sensor and one magnet

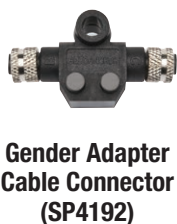


(P102939)

AUTOANCHOR WIRED ROVING REMOTE CONTROL UNITS

ANCHOR LAUNCHING OR RETRIEVAL FROM THE BOW WHEN VISION FROM THE HELM STATION IS OBSTRUCTED

- Use for Windlasses, Davits, Thrusters and other Marine Equipment
- Electrical protection against back-emf
- Rubber over-molding for shock protection and grip
- Stowage cradle
- Operate in parallel with all AutoAnchor™ products, toggle switches, foot switches or other control equipment
- Connect to DC, AC and Hydraulic systems
- Rugged 4.5 m coiled cable and connectors
- All products are rated to IP67 including cables, plugs and sockets
- Deck socket with 2 m flying lead reduces potential for corrosion (excluding AA320 series)
- Other Maxwell AutoAnchor controllers are available, check with your local Maxwell distributor



Gender Adapter
Cable Connector
(SP4192)



Dual Installation
T Connector
(SP4155)



4 metres cable

AA730
With Rode Counter
(P102994)



AA320
Windlass Control
(P102992)

AA342*
Dual Windlass Controller
(P102996)

All wires remotes are complete with moulded deck socket Rated to IP67.

* AA341 Model (P102995) is similar to AA342 but can be used as a general dual equipment controller (contact Maxwell for details).



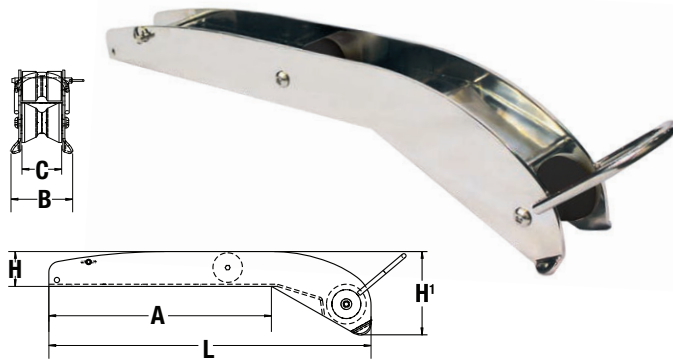
Accessories

Deck Gear **BOW ROLLERS • CHAIN STOPPERS**



The MAXSET Bow Roller design guarantees that MAXSET stainless steel (AISI 316) and galvanised anchors, along with similar competitor versions, are efficiently self-launched during anchor deployment. When the anchor is fully retrieved, the MAXSET bow roller ensures that the anchor fits securely into the roller and will not rattle around when the boat is under way.

MAXSET BOW ROLLERS



MAXSET ANCHORS AND MAXSET BOW ROLLERS

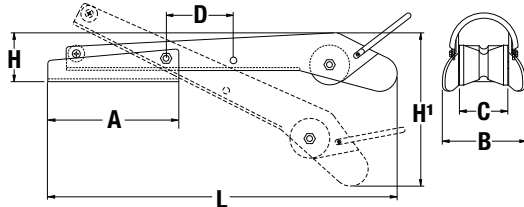
MAXSET (Delta Style Anchors)	Polished Finish					Satin Finish				
	P105075	P105077	P105079	P105081	P105083	P105074	P105076	P105078	P105080	P105082
4kg/9lbs	•					•				
6kg/13lbs	•					•				
10kg/22lbs		•					•			
16kg/35lbs			•					•		
20kg/44lbs				•					•	
25kg/55lbs					•					•
30kg/66lbs					•					•
40kg/88lbs					•					•

EXTENDABLE HINGED BOW ROLLER

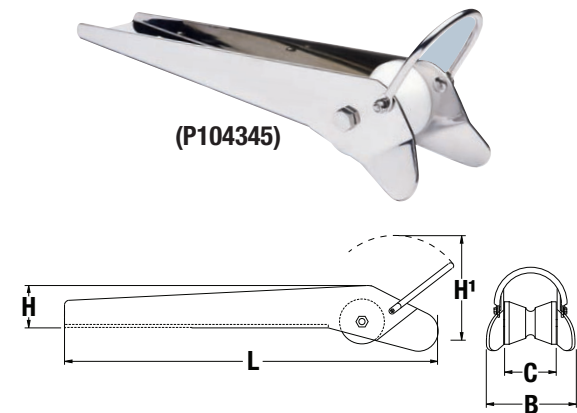


SHORT EXTENSION POSITION

LONG EXTENSION POSITION



FIXED BOW ROLLER WITH ANCHOR LOOP



(P104345)

MAXSET ANCHORS AND BOW ROLLERS

Standard Bow Roller Codes	P104331	P104332	P104333	P104334	P104340	P104345
MAXSET (Delta Style Anchors)						
4 kg/9 lbs		•	•		•	•
6 kg/13 lbs		•	•		•	•
10 kg/22 lbs	•	•	•		•	•
16 kg/35 lbs		•	•	•	•	•
20 kg/44 lbs				•		
25 kg/55 lbs				•		
Standard Bow Roller Codes	P104331	P104332	P104333	P104334	P104340	P104345
MAXCLAW (Claw Style Anchors)						
5 kg/11 lbs		•	•		•	
8 kg/18 lbs		•	•		•	•
10 kg/22 lbs	•	•	•	•	•	•
15 kg/33 lbs				•	•	•
20 kg/44 lbs				•		

MAXSET AND STANDARD BOW ROLLER DIMENSIONS

	Extendable P104340	Fixed with Hoop P104345	P105074 P105075	P105076 P105077	P105078 P105079	P105080 P105081	P105082 P105083
A	198 mm (7 13/16")	N/A	315 mm (12 3/8")	414 mm (16 5/16")	480 mm (18 7/8")	510 mm (20")	560 mm (22")
B	125 mm (4 15/16")	134 mm (5 1/4")	84 mm (3 5/16")	112 mm (4 3/8")	112 mm (4 3/8")	114 mm (4 1/2")	153 mm (6")
C	73 mm (2 7/8")	75 mm (3")	62 mm (2 1/2")	78 mm (3")	78 mm (3")	78 mm (3")	105 mm (4 1/8")
D	101 mm (4")	N/A	N/A	N/A	N/A	N/A	N/A
H	75 mm (2 15/16")	65 mm (2 9/16")	55 mm (2 1/8")	65 mm (2 1/2")	72 mm (2 13/16")	78 mm (3")	95 mm (3 3/4")
H'	239 mm (9 3/8")	155 mm (6 1/8")	122 mm (4 13/16")	152 mm (6")	165 mm (6 1/2")	175 mm (6 7/8")	215 mm (8 1/2")
L	527 mm (20 1/4")	460 mm (18 1/8")	465 mm (18 5/16")	600 mm (23 5/8")	715 mm (28 1/8")	762 mm (30")	850 mm (33 1/2")

BOW ROLLERS

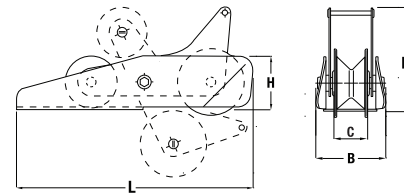
HINGED BOW ROLLER

Suitable for rope and chain anchor rodes utilising up to 13 mm (1/2") chain.



HINGED BOW ROLLER DIMENSIONS

Code	Type	L	B	H	h	C
P104330	Size 1	320 mm (12 5/8")	92 mm (3 5/8")	72 mm (2 7/8")	133 mm (5 1/4")	44 mm (1 3/4")
P104331	Size 2	430 mm (16 15/16")	160 mm (5 5/16")	100 mm (4")	190 mm (7 1/2")	66 mm (2 11/16")



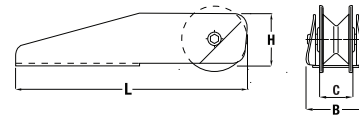
FIXED BOW ROLLER

Suitable for rope and chain anchor rodes utilising up to 13 mm (1/2") chain.



FIXED BOW ROLLER DIMENSIONS

Code	Type	L	B	H	C
P104332	Size 1	205 mm (8 1/8")	72 mm (2 7/8")	74 mm (3")	44 mm (1 3/4")
P104333	Size 2	320 mm (12 5/8")	86 mm (3 7/16")	74 mm (3")	44 mm (1 3/4")
P104334	Size 3	444 mm (17 1/2")	110 mm (4 3/8")	110 mm (4 3/8")	68 mm (2 11/16")



CHAIN STOPPERS

Taking the load off the windlass

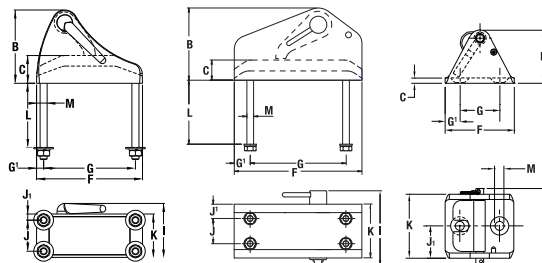
Chain stoppers hold the chain and take the load off the windlass. Always use a chain stopper to set and ride on the anchor, break free the anchor or to prevent accidental free fall of the anchor while under way.

To suit any installation configuration of chain stoppers and windlass combinations, Maxwell offers three types of chain stoppers: Height Matched, Levered and Economy.



CHAIN STOPPER DIMENSIONS

	Height Matched		Levered			Economy
	RC8/10 (P104358)	RC12 (P104359)	8 mm (P104372)	10 mm (P104373)	13 mm (P104374)	8/10 mm (P104335)
B	105 mm (4 1/8")	127 mm (5")	72 mm (2 7/8")	86 mm (3 7/16")	105 mm (4 3/16")	62 mm (2 3/8")
C	40 mm (1 9/16")	48 mm (1 7/8")	20 mm (7/8")	20 mm (7/8")	26 mm (1 1/8")	6 mm (1/4")
F	150 mm (5 15/16")	182 mm (7 3/16")	152 mm (6")	190 mm (7 1/2")	219 mm (8 5/8")	80 mm (3 1/8")
G	130 mm (5 1/8")	159 mm (6 1/4")	92 mm (3 5/8")	130 mm (5 1/8")	159 mm (6 5/16")	46 mm (1 3/4")
Gⁱ	10 mm (7/16")	11.5 mm (1/2")	30 mm (1 3/16")	30 mm (1 3/16")	30 mm (1 3/16")	17 mm (5/8")
I	77 mm (3")	97 mm (3 13/16")	70 mm (2 7/8")	86 mm (3 1/2")	100 mm (4")	92 mm (3 5/8")
J	44 mm (1 3/4")	53 mm (2")	31.5 mm (1 1/4")	44 mm (1 3/4")	53 mm (2 1/8")	N/A
Jⁱ	8.8 mm (11/32")	12.5 mm (1/2")	10 mm (7/16")	10 mm (7/16")	12.5 mm (1/2")	37 mm (1 1/2")
K	61.5 mm (2 7/16")	78 mm (3")	51.5 mm (2 1/8")	64 mm (2 5/8")	78 mm (3 1/8")	74 mm (2 7/8")
L	90 mm (3 1/2")	125 mm (4 15/16")	95 mm (3 3/4")	95 mm (3 3/4")	130 mm (5 1/8")	N/A
M	M8	M10	M10	M10	M12	M10



STOPPER TENSIONER

The 10-13 mm chain stopper is now available with integral anchor tensioner which is used to pull the stowed anchor tightly into the bow roller or anchor pocket preventing unwanted noise from the anchor moving in the anchor pocket.

A retro-fit kit is available to fit the tensioner assembly onto existing Maxwell 10-13 mm chainstopper bodies.



P105257 - Stopper Tensioner 10-13 mm Removable Lever

P104740 - Stopper Tensioner Retrofit Kit for 13 mm Chainstoppers

WEBBING TENSIONER

Also available is a webbing strap tensioner for use on 7-12 mm chains. The webbing tensioner simply fits to a deck cleat/bollard and uses a stainless steel (AISI 316) claw to grip the chain and an over center cam lock to tension and secure the anchor.



P105072 - Webbing Tensioner 7-12 mm

INTERMEDIATE ROLLER

Designed for use with Tasman drum windlasses.

P105093

130 mm wide for 6 or 8 mm chain

P105094

180 mm wide for 6 or 8 mm chain



Accessories

Deck Gear **ANCHORS • SWIVELS • HANDLES**

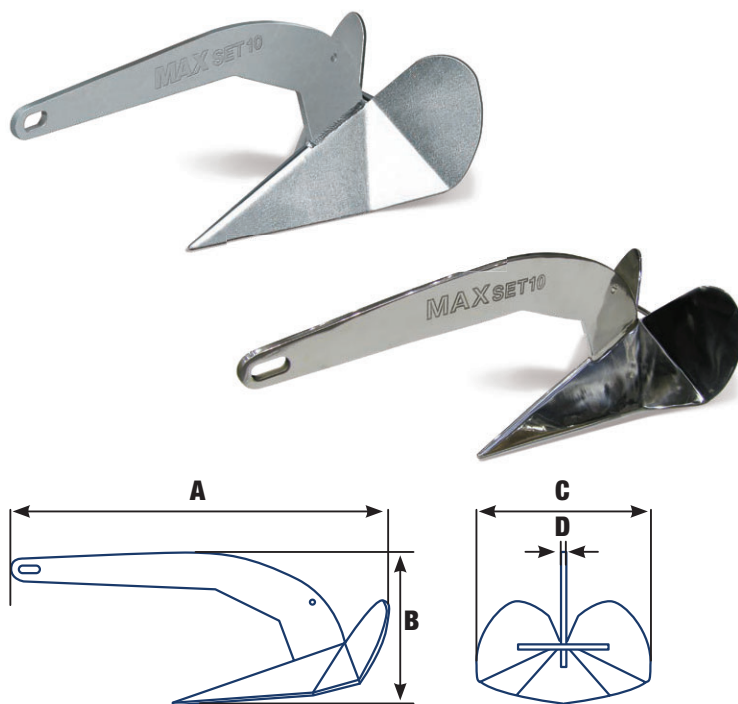


When it comes to anchoring, Maxwell provides the ultimate anchoring solution backed by sound advice and after sales service. A full range of anchoring accessory items are available.

Please contact your nearest Maxwell office or local distributor for helpful advice and assistance.

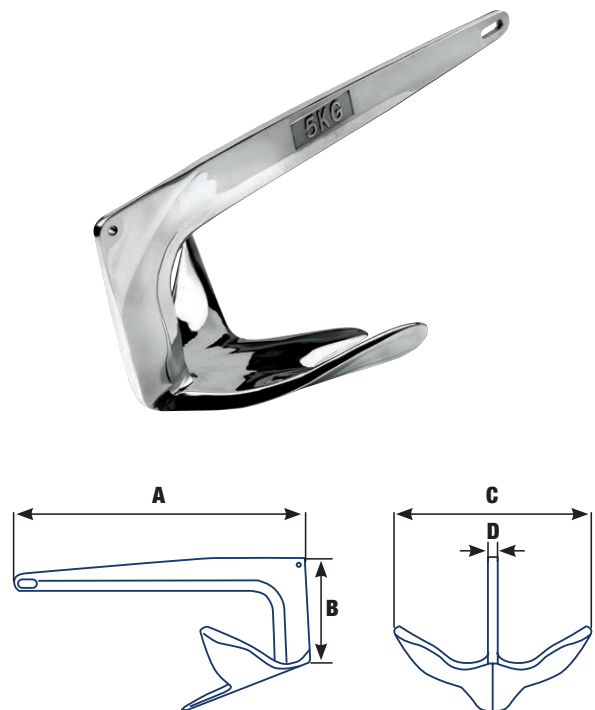
MAXSET ANCHORS

The "MAXSET" galvanised and stainless steel (AISI 316) anchor range, based on the proven 'Plough' design is available in eight different sizes to suit boats from approximately 4 metres (15') to 18 metres (58').



MAXCLAW ANCHORS

The "MAXCLAW" 316 Stainless steel (AISI 316) anchor range, based on the proven 'North Sea' claw design is available in seven different sizes to suit boats from approximately 4 metres (12') to 17 metres (55').



MAXSET ANCHORS STAINLESS STEEL	MAXSET ANCHORS GALVANISED	ANCHOR WEIGHTS	A	B	C	D
P105070	P105069	4 kg/9 lbs	530 mm (20 7/8")	222 mm (8 3/4")	245 mm (9 5/8")	8 mm (5/16")
P105055	P105000	6 kg/13 lbs	620 mm (24 1/2")	230 mm (9 1/8")	262 mm (10 3/8")	10 mm (3/8")
P105056	P105001	10 kg/22 lbs	730 mm (28 3/4")	275 mm (10 7/8")	315 mm (12 1/2")	12 mm (1/2")
P105057	P105002	16 kg/35 lbs	820 mm (32 3/8")	315 mm (12 1/2")	340 mm (13 1/2")	14 mm (9/16")
P105058	P105003	20 kg/44 lbs	890 mm (35")	345 mm (13 5/8")	400 mm (15 3/4")	16 mm (5/8")
P105059	P105004	25 kg/55 lbs	986 mm (38 7/8")	410 mm (16 1/8")	445 mm (17 1/2")	16 mm (5/8")
P105067	P105005	30 kg/66 lbs	1050 mm (38 7/8")	445 mm (16 1/8")	465 mm (17 1/2")	20 mm (5/8")
P105068	P105006	40 kg/88 lbs	1130 mm (44 1/2")	470 mm (18 1/2")	510 mm (20")	20 mm (3/4")

MAXCLAW STAINLESS STEEL	ANCHOR WEIGHTS	A	B	C	D
P105060	5 kg/11 lbs	470 mm (18 5/8")	190 mm (7 1/2")	310 mm (12 1/4")	15 - 18 mm (5/8"-3/4")
P105061	8 kg/18 lbs	530 mm (20 7/8")	210 mm (8 3/8")	360 mm (14 1/4")	15 - 18 mm (5/8"-3/4")
P105062	10 kg/22 lbs	600 mm (23 5/8")	228 mm (9")	380 mm (15")	15 - 18 mm (5/8"-3/4")
P105063	15 kg/33 lbs	670 mm (26 1/2")	265 mm (10 1/2")	450 mm (17 3/4")	15 - 18 mm (5/8"-3/4")
P105064	20 kg/44 lbs	715 mm (28 1/4")	360 mm (14 1/4")	470 mm (18 5/8")	15 - 20 mm (5/8"-7/8")
P105065	30 kg/66 lbs	815 mm (32 1/8")	425 mm (16 3/4")	550 mm (21 3/4")	18 - 25 mm (3/4"-1")
P105066	40 kg/88 lbs	1000 mm (39 3/8")	440 mm (17 3/8")	675 mm (26 5/8")	18 - 30 mm (3/4"-1 1/4")

MAXSET ANCHORS AND MAXSET BOW ROLLERS

See chart below to select the most suitable bow roller for use with your MAXSET or MAXCLAW anchor.

MAXSET ANCHORS			TO SUIT APPROXIMATE BOAT LENGTH														MAXSET BOW ROLLERS	
Stainless Steel	Galvanised	Weight	4M (13)	6M (20)	8M (26)	10M (33)	12M (39)	14M (46)	16M (52)	18M (59)	Satin Finish	Polished Finish						
P105070	P105069	4 kg/9 lbs									P105074	P105075						
P105055	P105000	6 kg/13 lbs									P105074	P105075						
P105056	P105001	10 kg/22 lbs									P105076	P105077						
P105057	P105002	16 kg/35 lbs									P105078	P105079						
P105058	P105003	20 kg/44 lbs									P105080	P105081						
P105059	P105004	25 kg/55 lbs									P105082	P105083						
P105067	P105005	30 kg/66 lbs									P105082	P105083						
P105068	P105006	40 kg/88 lbs									P105082	P105083						

MAXCLAW ANCHORS			TO SUIT APPROXIMATE BOAT LENGTH													
		Weight	4M (13)	6M (20)	8M (26)	10M (33)	12M (39)	14M (46)	16M (52)	18M (59)						
P105060		5 kg/11 lbs														
P105061		7.5 kg/17 lbs														
P105062		10 kg/22 lbs														
P105063		15 kg/33 lbs														
P105064		20 kg/44 lbs														
P105065		30 kg/66 lbs														
P105066		40 kg/88 lbs														



ANCHOR SWIVEL SHACKLES

Improve your anchor retrieval

The use of a swivel and joining shackle for your anchor and rode will greatly improve anchor retrieval and help ensure that the rode lays neatly into your anchor locker.

Maxwell has two available sizes for use with its automatic rope/chain series windlasses to suit vessels up to 20 metres (65 feet):

- 6-8 mm (1/4" - 5/16")
- 10-13 mm (3/8" - 1/2")



6-8 MM (P104370)



10-13 MM (P104371)

EMERGENCY CRANK/CLUTCH RELEASE HANDLES AND BI-SQUARE EXTENSION DRIVES

Especially for RC and HRC Series

These handles are available in two different sizes to suit the constraints of most foredeck configurations. They are constructed of light weight, durable injection-molded plastic and will float if accidentally dropped overboard.

Bi-square drives are also available in a 150 mm inline extension for use on windlasses mounted in recessed lockers.

A Bi-square to 1/2" square drive adapter which can be used in conjunction with standard 1/2" ratchets and tools.



BI-SQUARE EXTENSION AND 1/2" DRIVE

(7038)

(7369)

10" (P103865)

8" (P103864)



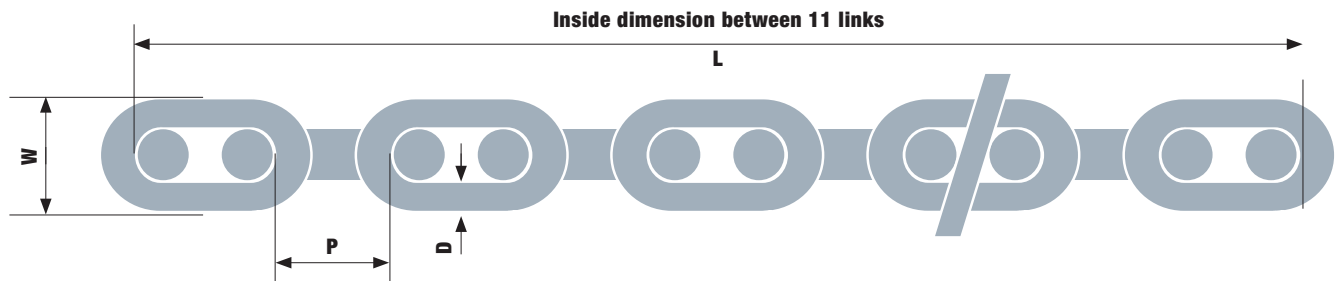
Accessories

Deck Gear **ANCHORS • ROPE AND CHAIN**



CHAINWHEEL SELECTION GUIDE

There are various grades of short link chain, relating to the raw metal quality, strength and finishing process. Both galvanised and stainless steel (AISI 316) chains are available. In order for your windlass to retrieve and deploy the anchor and chain smoothly, without jamming, it is of great importance that the chain and chainwheel (gypsy) match. Therefore Maxwell has devised a global chain and chainwheel spreadsheet which will help you to figure out what kind of chainwheel you need to order.



P = Pitch length inside link **D = Chain wire diameter** **W = width outside the link** **L = inside dimension between 11 links.**

Please take an 11 link section of your chain, lay it out in a stretched out straight line and measure the dimensions as indicated

DOWNLOAD THE MAXWELL CHAINWHEEL SELECTION GUIDE SPREADSHEET www.maxwellmarine.com/support_chainwheel.php

				CHAIN SELECTION GUIDE															
CHAIN	DIN766		EN818	TO SUIT APPROXIMATE BOAT SIZE															
	HOT DIP GALVANISED	STAINLESS STEEL	HOT DIP GALVANISED	4M (15FT)	5M (16FT)	6M (19FT)	7M (22FT)	8M (26FT)	9M (30FT)	10M (32FT)	12M (38FT)	14M (45FT)	16M (52FT)	18M (58FT)	20M (65FT)	22M (72FT)	24M (78FT)		
6 mm	SP3105	SP4471	N/A																
7 mm	SP4049	N/A	N/A																
8 mm	SP4050	SP4207	N/A																
10 mm	SP4051	SP2514	SP4012																
12 mm	N/A	N/A	SP3666																
13 mm	SP4052	SP4474	N/A																

CHAIN INFORMATION

Chain Specification is the Standard a chain must be manufactured to in order to comply with a given International Standard.

Outside of North America the most common types of metric short link chain are DIN766 and EN-818. Within North America the most common imperial chains are BBB and G40.

The important thing to keep in mind is to select a chain grade and specification that complies with recognised standards.

In addition to the chains listed above, Maxwell can supply a variety of alternatives to meet any market demand. Please feel free to contact your nearest Maxwell dealer for assistance.

ROPE AND CHAIN

Maxwell can supply a full range of anchor rodes including chain-only, rope only or a pre-spliced combination of rope and chain rodes. Chains for vessels up to 100 metres (300 feet) and 8-plait (brait) nylon rope for vessels up to 20 metres (65 feet) in length as well as ropes and hawsers commonly used on superyachts.

Please see the pictures shown on this page for sizes and characteristics.

STANDARD COMBINATION ROPE CHAIN KITS						
CHAIN Ø	CHAIN LENGTH	ROPE Ø	ROPE LENGTH			
			50 m	100 m	150 m	200 m
6 mm	10 mtrs	12 mm	SP2627	SP2628	SP2629	SP2630
6 mm	20 mtrs	12 mm	N/A	SP2643	N/A	N/A
8 mm	10 mtrs	14 mm	SP2631	SP2632	SP2633	SP2634
8 mm	20 mtrs	14 mm	SP2644	SP2642	N/A	N/A
10 mm	10 mtrs	16 mm	SP2648	SP2649	N/A	N/A
10 mm	20 mtrs	16 mm	SP2645	SP2646	N/A	N/A

Custom lengths available. Contact your Maxwell Dealer.



NYLON 8 PLAIT ROPE

12MM (SP3167) 14MM (SP3168)
16MM (SP3169) 20MM (SP3170)

CHAIN SNUBBERS

Alternative method of taking the load of your windlass

These snubbers are recommended to secure the anchor while under way. Available in rope version with chain clevis hook.

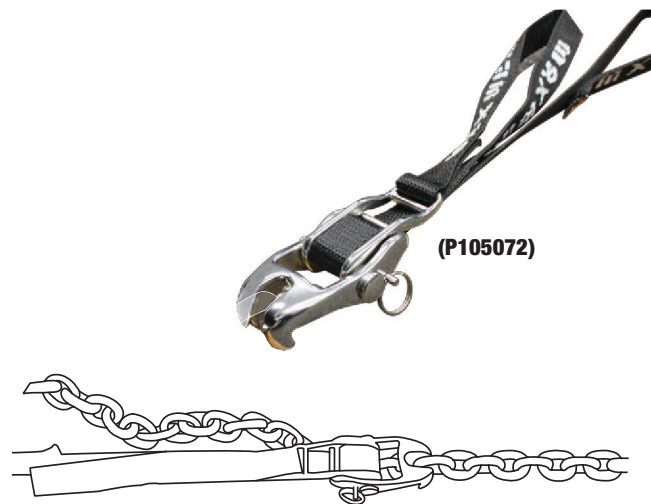


Type	Description
SP3174	6 mm chain hook 1.5 mtrs Ø12 mm Nylon 8 Plait rope
SP3175	8 mm chain hook 1.5 mtrs Ø14 mm Nylon 8 Plait rope
SP3176	10 mm chain hook 2 mtrs Ø16 mm Nylon 8 Plait rope

ANCHOR TENSIONER

Simple, easy to use and adjustable tensioner

This innovative anchor tensioner secures the anchor firmly into the bow roller, taking the weight off the windlass and preventing accidental deployment of the anchor. The tensioner is suitable for use with 7 mm (¼”) to 12 mm (½”) short link chain and can be secured to an existing cleat or bollard so no installation is required.



Electrical Accessories Selection Guide

Use this guide to select the electrical accessories you require and to confirm that they are suitable for use with your chosen windlass or capstan unit.

After identifying your winch, follow steps 1 through 5 below. See also additional information on page 332. **Note:** For 48 VDC applications please contact your Maxwell dealer.

1. Select Solenoid (when required)

	Windlass Model	Anchor Max	500VC	HRCFF 6/7/8	RC6	RC8-6	RC 8-8	RC 10-8	RC 10-10	HRC 10-8	HRC 10-10	RC 12-10	RC 12-12	RC 12HD	VW 10-8	VW 10-10	1000	1500	2500	3500	TASMAN
Part Number		500W	600W	600W	500W	600W	1000W	1000W	1200W	1000W	1200W	1200W	1200W	2000W	1000W	1200W	1000W	1200W	1200W	1200W	1000W
Reversing Solenoids																					
SP5102	Reversing Solenoid 12 VDC			(•)	(•)	(•)															
SP5103	Reversing Solenoid 24 VDC			(•)	(•)	(•)															
SP5104	Reversing Solenoid 12 VDC						(•)	(•)	(•)	(•)	(•)	(•)	(•)		(•)	(•)	(•)	(•)	(•)	(•)	(•)
SP5105	Reversing Solenoid 24 VDC						(•)	(•)	(•)	(•)	(•)	(•)	(•)		(•)	(•)	(•)	(•)	(•)	(•)	(•)
SP5107	Reversing Solenoid 24 VDC												(•)								
Single Direction Solenoids																					
SP1393	Single Direction 12 VDC	•	•																		
SP1394	Single Direction 24 VDC	•	•																		
	Brackets		•																		
(•) = part of the standard 12 VDC or 24 VDC windlass package • = optional extra																					

2. Select Circuit Breaker/Isolator (recommended)

	Circuit Breaker	Anchor Max	500VC	HRCFF 6/7/8	RC6	RC8-6	RC 8-8	RC 10-8	RC 10-10	HRC 10-8	HRC 10-10	RC 12-10	RC 12-12	RC 12HD	VW 10-8	VW 10-10	1000	1500	2500	3500	TASMAN
P100789	40 Amp circuit breaker	24 VDC	24 VDC	24 VDC	24 VDC	24 VDC															
P102903	70 Amp circuit breaker			12 VDC	12 VDC																
P100790	80 Amp circuit breaker	12 VDC	12 VDC			12 VDC	24 VDC	24 VDC	24 VDC	24 VDC	24 VDC	24 VDC	24 VDC		24 VDC	24 VDC	24 VDC	24 VDC	24 VDC	24 VDC	24 VDC
P100791	135 Amp circuit breaker						12 VDC	12 VDC	12 VDC	12 VDC	12 VDC	12 VDC	12 VDC	24 VDC	12 VDC	12 VDC	12 VDC	12 VDC	12 VDC	12 VDC	12 VDC

3. Select Switch or Combination of Switches (as required)

	Foot Switches	Anchor Max	500VC	HRCFF 6/7/8	RC6	RC8-6	RC 8-8	RC 10-8	RC 10-10	HRC 10-8	HRC 10-10	RC 12-10	RC 12-12	RC 12HD	VW 10-8	VW 10-10	1000	1500	2500	3500	TASMAN
P19001	Foot Switch With Chrome Bezel	•	•	•	•	•	•	•	•	•	•	•	•	•	•	•	•	•	•	•	•
P19006	Foot Switch Covered (Black)	•	•	•	•	•	•	•	•	•	•	•	•	•	•	•	•	•	•	•	•
P19007	Foot Switch Covered (White)	•	•	•	•	•	•	•	•	•	•	•	•	•	•	•	•	•	•	•	•
P19008	Foot Switch Plastic Bezel	(•)	•	•	•	•	•	•	•	•	•	•	•	•	•	•	•	•	•	•	•
P100735	Foot Switch Covered (Stainless Steel)	•	•	•	•	•	•	•	•	•	•	•	•	•	•	•	•	•	•	•	•
Compact Foot Switches																					
P104809	Foot Switch Covered (White)			•	•	•	•	•	•	•	•	•	•	•	•	•	•	•	•	•	•
P104810	Foot Switch Covered (Black)			•	•	•	•	•	•	•	•	•	•	•	•	•	•	•	•	•	•
Remote Panel (Up/Down)																					
P102938	Toggle Switch			•	•	•	•	•	•	•	•	•	•	•	•	•	•	•	•	•	•
P102983	Push Button			•	•	•	•	•	•	•	•	•	•	•	•	•	•	•	•	•	•
Hand Held Wired Roving Control																					
P102992	AA320 Roving Control Two Button			•	•	•	•	•	•	•	•	•	•	•	•	•	•	•	•	•	•
P102995	AA342 Roving Control Two Button			•	•	•	•	•	•	•	•	•	•	•	•	•	•	•	•	•	•

4. Select Rode Counters (when desired)

P102939	AA150 Panel Mount Rode Counter Without Control Switch			•*	•	•	•	•	•	•	•	•	•	•	•	•	•	•	•	•	•
P102994	AA730 Wired Roving Control with Rode Counter			•*	•	•	•	•	•	•	•	•	•	•	•	•	•	•	•	•	•

* HRC sensor P102909 is required to fit a chain counter to the HRCFF6 and HRCFF8 windlasses

5. Select Sensor Cable Extension Packs for Rode Counters or Switches with Rode Counters (as required)

SP4154	2 m (6.5 ft) Dual Installation Connection cable			•	•	•	•	•	•	•	•	•	•	•	•	•	•	•	•	•	•
SP4156	6.5 m (21 ft)			•	•	•	•	•	•	•	•	•	•	•	•	•	•	•	•	•	•
SP4157	15 m (49 ft)			•	•	•	•	•	•	•	•	•	•	•	•	•	•	•	•	•	•
SP4153	20 m (65 ft)			•	•	•	•	•	•	•	•	•	•	•	•	•	•	•	•	•	•
SP4155	Dual Installation "T" Connector			•	•	•	•	•	•	•	•	•	•	•	•	•	•	•	•	•	•
SP4192	Gender Adapter (to join two sensor cables)			•	•	•	•	•	•	•	•	•	•	•	•	•	•	•	•	•	•

Additional Anchoring Accessories Selection Guide Information

MAXSET Anchors

Stainless Steel	Galvanised	Anchor Weight
P105070	P105069	4kg/9lbs
P105055	P105000	6kg/13lbs
P105056	P105001	10kg/22lbs
P105057	P105002	16kg/35lbs
P105058	P105003	20kg/44lbs
P105059	P105004	25kg/55lbs
P105067	P105005	30kg/66lbs
P105068	P105006	40kg/88lbs

MAXSET Bow Rollers

Polished Finish	Anchor Weight
P105075	4kg/9lbs
P105075	6kg/13lbs
P105077	10kg/22lbs
P105079	16kg/35lbs
P105081	20kg/44lbs
P105083	25kg/55lbs
P105083	30kg/66lbs
P105083	40kg/88lbs

MAXSET Bow Rollers

Satin Finish	Anchor Weight
P105074	4kg/9lbs
P105074	6kg/13lbs
P105076	10kg/22lbs
P105078	16kg/35lbs
P105080	20kg/44lbs
P105082	25kg/55lbs
P105082	40kg/88lbs

Bow Rollers

Stainless Steel	
P104330	Hinged # 1 up to 8mm (5/16") chain
P104331	Hinged # 2 up to 13mm (1/2") chain
P104332	Fixed # 1 up to 8mm (5/16") chain
P104333	Fixed # 2 up to 8mm (5/16") chain
P104334	Fixed # 3 up to 13mm (1/2") chain
P104340	Extendable hinged up to 13mm (1/2") chain
P104374	Fixed with anchor loop up to 13mm (1/2") chain

MAXCLAW Anchors

Stainless Steel	Anchor Weight
P105060	5kg/11lbs
P105061	7.5kg/17lbs
P105062	10kg/22lbs
P105063	15kg/33lbs
P105064	20kg/44lbs
P105065	30kg/66lbs
P105066	40kg/88lbs

Chain Stoppers

P104335	Economy 8mm -10mm (5/16"-3/8") chain
P104372	Removable Levered Pawl 8mm (5/16") chain
P104373	Removable Levered Pawl 10mm (3/8") chain
P104374	Removable Levered Pawl 13mm (1/2") chain
P104358	Height Matched 8mm/10mm (5/16"-3/8") chain
P104359	Height Matched 10mm/13mm (3/8"-1/2") chain

Anchor Swivels

P104370	Stainless steel (AISI 316) 750 kg load 6mm-8mm (1/4"-5/16") chain
P104371	Stainless steel (AISI 316) 1500 kg load 10mm-13mm (3/8"-1/2") chain

Crank Handles

P103864	8 inch / 200mm RC8, RC10 and RC12 windlasses
P103865	10 inch / 250mm RC8, RC10 and RC12 windlasses

Chain Snubbers and Tensioners

SP3174	Snubbing Hook 6/7mm (1/4") chain
SP3175	Snubbing Hook 8mm (5/16") chain
SP3176	Snubbing Hook 10mm (3/8") chain
P105072	Webbing tensioner 7mm-12mm (1/4" to 1/2")

Installation and Maintenance

Maxwell provides a complete installation and maintenance manual with every windlass or capstan. This clear and detailed step-by-step guide, provides information on how and where to install your winch. Suggestions, practical tips and cautions provide a solid basis for usage and maintenance. These publications are available on the Maxwell website. A good installation could mean the difference between your winch performing as it should or ending up causing you problems. Please ensure that you carefully read the Owner's Manual before installing and using your winch. Simple guidelines and advice such as greasing the clutch cones, using products such as anti-corrosive and sealing spray on the motor and electrical terminals and bedding the winch to the deck with a top quality marine sealant will ensure that you get years of trouble free use from your Maxwell Marine products. If in doubt, contact your nearest Maxwell dealer.

Maxwell Three Year Warranty

Maxwell Marine provides a three year limited warranty on all windlasses, capstans and accessories for pleasure boat usage and a one year limited warranty for those systems used on commercial or charter vessels. Warranty, service and parts are available world-wide.

Contact your nearest Maxwell Marine office or check out the Maxwell Marine website: www.maxwellmarine.com for a complete list of service centres, agents and distributors.

www.maxwellmarine.com

Maxwell's ongoing commitment to customer service and technological excellence can be viewed online at www.maxwellmarine.com.

This fully interactive and constantly evolving website features Maxwell's easy to use winch selection guide, cad drawings, product manual downloads and up-to-date technical information regarding the latest product developments and innovations.

You can register warranties on line, ask for technical advice, find out what boat shows we are attending and locate the Maxwell office, agent or distributor nearest you.

Glossary

Capstan Often referred to as a drum, rope drum, or warping drum. The capstan is primarily used for hauling rope.

Chain Stopper Similarly, chain compressor. Located between the winch and bow roller. Secures chain and anchor and takes the load off the winch/windlass. Highly recommended for systems utilising all chain and for semi-automatic rope and chain systems.

Free Fall Release of the winch clutch mechanism allowing the anchor and rode (chain or rope and chain) to run out freely with no engagement of winch gearbox or motor.

Gypsy Often referred to as chainwheel or wildcat. A special wheel with pockets, to accommodate a specified chain size, for hauling up the chain and anchor. With automatic rope/chain systems the gypsy is designed to haul both rope and chain.

Hauling Often referred to as weighing or lifting. The operation of lifting the anchor and rode.

Horizontal Pertaining to the winch or windlass. Drive shaft, capstan and gypsy are positioned horizontally to the deck.

Manual Override System Often referred to as emergency crank system. A means of manually cranking the winch to haul in the rode and anchor should a failure occur in the motor, gearbox or power supply.

Maximum Pull Sometimes referred to as rated lift, stall load, or simply lift/pull. The maximum pull or lift load of the winch.

Rode The line that secures the boat to the anchor. This may consist of all chain, all rope, or a combination of rope and chain.

Static Hold The maximum load that the windlass can hold before permanent damage is caused. It is not recommended that the windlass be used in this manner.

Vertical Pertaining to the winch or windlass. The drive shaft, capstan and gypsy are positioned vertically to the deck.

Winch A windlass driven by a hand or power-operated crank or gearbox. Often implies to pull or lift a weight by using a winch.

Windlass A machine for raising a weight by winding a rope and/or chain around a drum or chainwheel, driven by a crank, motor, etc.

Working load Often referred to as the normal working load or the typical lift of the winch. This is usually somewhere between 25% to 35% of the maximum pull or rated lift. This workload should approximately correspond to the total weight of the anchor and rode aboard the boat.



Superyacht Windlasses and Capstans

For over five decades Maxwell has been supplying anchoring solutions to the global marine market. The Superyacht industry poses unique challenges. Quality, reliability and style are a must. Owners and Captains depend on the finest equipment aboard their luxurious vessels to see them safely around the world or cruising in their home waters. Maxwell has become the manufacturer of choice on many of the world's Superyachts.

The 21st century has presented Maxwell with new opportunities and challenges. Larger Superyachts mean larger windlasses and anchor handling equipment. In response Maxwell has continued to develop and expand its highly successful 'SY' Series Superyacht windlasses. Complemented by new and innovative deck gear, such as integrated Roller-Stopper-Tensioners, Compressor-Roller-Tensioners

and Chain Pipe-Rollers, Maxwell is able to meet the demands for a complete and integrated anchoring package for Megayachts.

All Superyacht products are manufactured to the stringent international requirements of ISO 9001 and are covered under the European CE standard. Maxwell Superyacht products are, and can be, certified to any of the major classification societies such as LR, DNV-GL, ABS, BV, etc.

For more information about Maxwell's extensive range of Superyacht products and services, see the Superyacht catalogue and information guide or visit www.maxwellmarine.com alternatively contact: superyacht@maxwellmarine.com



RETRACTABLE VERTICAL CAPSTAN RVC

The Maxwell Retractable Vertical Capstan (RVC) has been designed not only for superb functionality, but with the aim that aesthetics aboard any yacht are also paramount. The top of the capstan drum is pleasing to the eye and has been etched to provide a non-skid surface, when flush with the deck in the fully retracted position. Alternatively, it can be recessed allowing for compatible deck finishes to be attached.



SY Series

Developed for vessels up to approximately 120 metres, the SY Series gives Maxwell the ability to offer customers highly competitive, top quality anchoring equipment, without over or under specifying power, strength, reliability or performance. Developed and engineered in response to the demand for bigger and stronger anchor windlasses for today's larger Superyachts and Megayachts, Maxwell has once again set the standard for others to follow.



