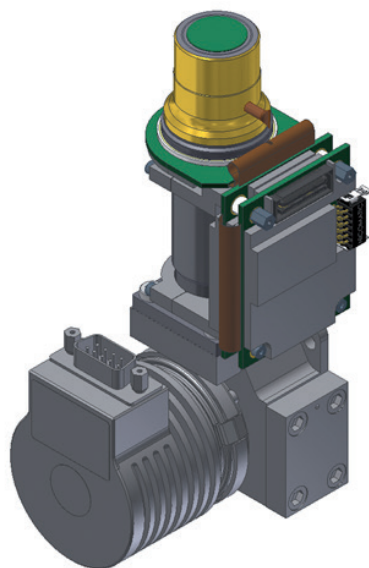
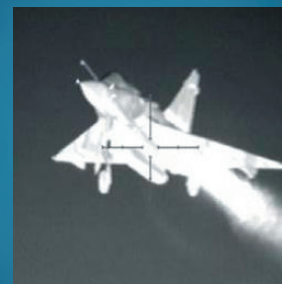


AXIR-HF-P MW

640 x 512 - 15 μm pitch - InSb

→ The new generation InSb VGA High Frequency detector for easy integration and better stability.



AXIR-HF-P MW is the new generation InSb MWIR High Frequency VGA 15 μm pitch detector with integrated proxy board.

AXIR-HF-P MW delivers a digital image in order to facilitate the integration in customer's system.

Taking full advantage of Sofradir InSb technology, it is designed for very demanding applications requiring optimal stability, uniformity and operability, in severe environmental conditions.

ARRAY FEATURES

Format	640 x 512
Pixel pitch	15 μm x 15 μm
Detector spectral response	3.7 μm - 4.8 μm
FPA Operating temperature	Up to 80 K

ROIC (READ-OUT INTEGRATED CIRCUIT)

ROIC architecture	Snapshot operation, direct injection input circuit, selectable read mode (IWR or ITR)
ROIC functionalities	Programmable integration time, anti-blooming, programmable windowing
Charge handling capacity	5.1 Me-
Frame rate	Up to 230 Hz full frame rate

ROIC CONTROL AND IMAGE PROCESSING ELECTRONICS

Board power supply	5 V
Video output	14 bits, Cameralink®

AXIR-HF-P MW

640 x 512 - 15 μ m pitch - InSb

→ The new generation InSb VGA High Frequency detector for easy integration and better stability.



AXIR-HF-P MW

TYPICAL (*) PERFORMANCES

NETD	25 mK (293 K, 50% well fill, 230 Hz)
Array operability	99.7%
Non uniformity	2.5% RMS (σ /mean, 293 K uncorrected performance)
	RM3, SRI401, K508
FOV	f/2; f/4
Power supply	24 V
Cooldown time	5 min
Power consumption	5.2W (steady state), 14W (cool down)
Cooler dimensions (mm)	\varnothing 46 x L 71
IDCA height (optical axis, mm)	H < 144
Weight	RM3/SRI401: 0.57 kg; K508: 0.65 kg
Operating temperature	- 40° C to 71° C

(*) Typical: Expected production mean value

OPTIONS

Evaluation Kit and GUI for easy and quick system integration

Other FOV upon request from f/2 to f/4

Technical training and support

APPLICATIONS



Technical characteristics described in this data sheet are for information only. They are not contractual and may change without prior notice.

SOFRADIR HEADQUARTERS

Avenue de la Vauve - CS 20018
91127 Palaiseau - France
Phone + 33 1 60 92 18 30
Fax + 33 1 60 92 18 40

DEVELOPMENT AND PRODUCTION CENTER

Z.I. - BP 21
38113 Veurey-Voroize - France
Phone + 33 4 76 28 77 00
Fax + 33 4 76 53 85 97