

CLICK ON THE ASSYID NUMBER BELOW TO GO TO THE DRAWING

CLICK BACK ON THE DRAWING TO RETURN HERE

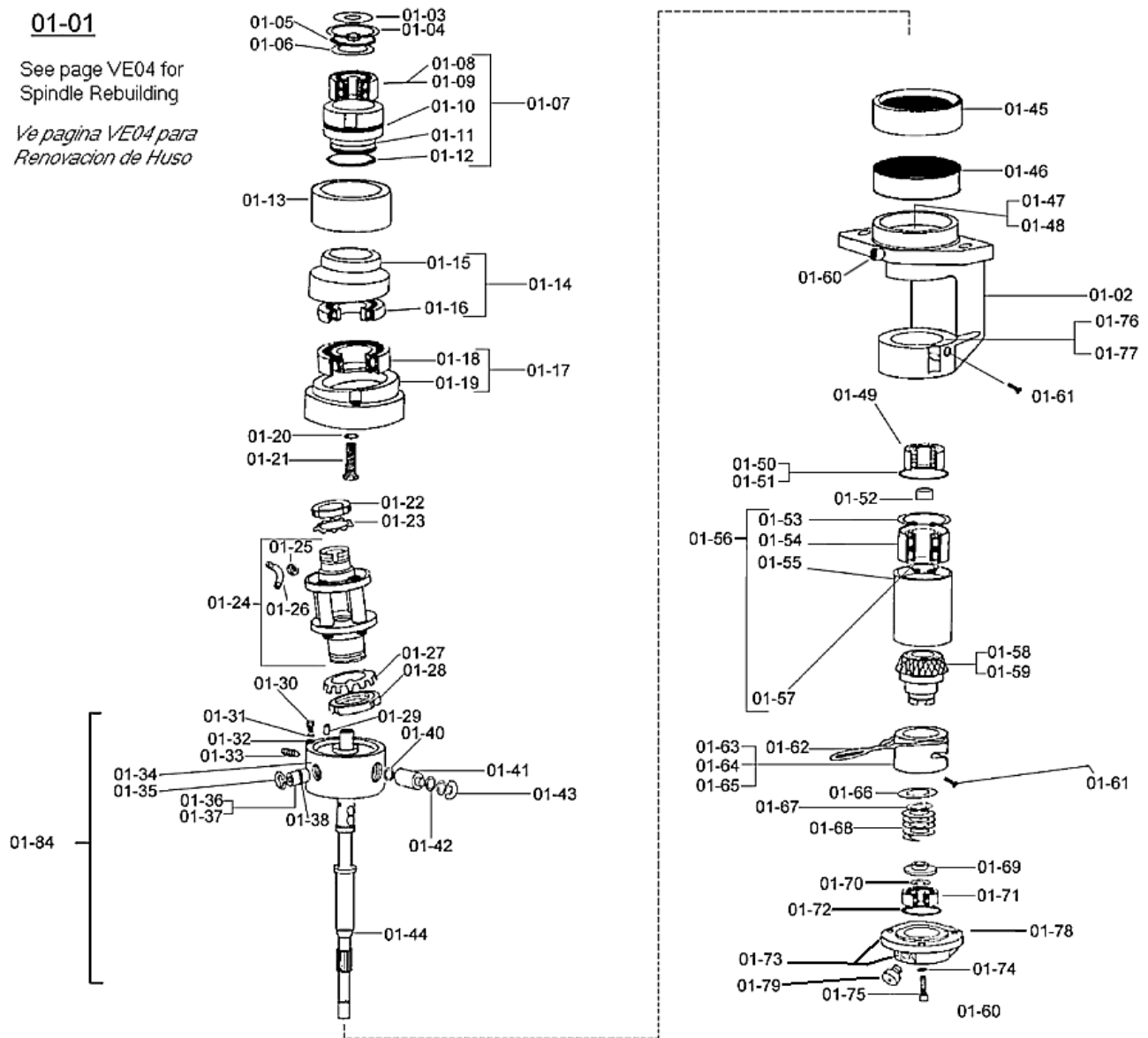
Assembly Drawing Titles Listing VERDOL

ASSYID	TITLE
VE01	EPIC PRECISION PARTS FOR VERDOL "R" SPINDLES, EXPANDED VIEW
VE01A	R SPINDLE POSTERS (ASSEMBLED VIEW)
VE02	EPIC PARTS FOR OLD U AND G VERDOL SPINDLES
VE02A	U AND G SPINDLE CONVERSION TO R SPINDLE
VE03	EPIC PARTS FOR ORIGINAL VERDOL TRAVERSE SYSTEM
VE04	REBUILDING OF VERDOL/ICBT SPINDLES AT EPIC TRAINING OF PERSONNEL IN REBUILDING SPINDLES
VE05	EPIMAG SAIII STABILIZATION SYSTEMS FOR VERDOL CABLERS WITH 235 MM TWIST DISCS
VE05A	EPIMAG SAIII STABILIZATION SYSTEMS FOR VERDOL CABLERS WITH 235MM TWIST DISCS
VE06	ANTI-CHOKE DEVICES FOR VERDOL SPINDLES
VE07	VERDOL POTS, POT COMPONENTS, POT REPAIR, BALLOON CONTROL RING REPAIR AND TENSION CAPSULES FOR VERDOL & ICBT
VE08	UNITENSORS* FOR VERDOL AND ICBT CABLERS STAINLESS STEEL POT LID FOR 290MM POT
VE08A	EPIC CABLING CAP & STANDARD CABLING CAP TENSION DEVICE FOR VERDOL & ICBT
VE09	BALLOON CENTERING GUIDES (PIGTAILS) FOR VERDOL
VE10	EPIC CONVERSION OF VERDOL TRAVERSE SYSTEM TO SIMPLIFIED, LOW MAINTENANCE SYSTEM
VE11	SMALLER DIAMETER OVERFEED ROLL ASSEMBLIES AND SAFETY COVERS FOR VERDOL
VE12	EPIC SAFETY ADAPTOR
VE13	DOUBLE AND SINGLE TENSION DEVICES TO REPLACE SINGLE OR BALL TENSION DEVICE ON VERDOL CREELS
VE14	EPIC "E" STYLE OVERHEAD CREEL ASSEMBLY FOR MUSCHAMP & MODEL 400/450 VERDOL CABLERS
VE15	EPIC "C" STYLE OVERHEAD CREEL ASSEMBLIES FOR VERDOL, MUSCHAMP, HAMEL CABLERS
VE16	DOWN TUBE ASSEMBLY FOR VERDOL CABLERS 400, 500 & 600

ASSYID	TITLE
VE17	SPINDLE DRIVE COMPONENTS FOR VERDOL
VE18	SPINDLE ASSEMBLY, VERDOL, R MAGNETIC
VE19	SPINDLE ASSEMBLY, VERDOL, F44 MAGNETIC
VE20	SPINDLE ASSEMBLY, ICBT, N MAGNETIC
VE21	EPIC DIAL STORAGE TENSOR FOR VERDOL & ICBT CREELS
VE22	V-GROOVE ROLLER FOR VERDOL CABLERS & TWISTERS USED BETWEEN PIGTIAL GUIDE & OVERFEED ROLL
VE23	EPIC AIR THREADING SYSTEM FOR VERDOL 450 CABLER
VE24	FRICITION ROLLS AND COTS FOR ICBT, VERDOL
VE25	PRE-TAKE-UP/OVERFEED ASSEMBLY, 14 FLUTE CERAMIC, ICBT TYPE
VE26	CONVERSION: VERDOL CABLER TO SINGLE END UP TWIST WITH VOLKMANN TENSION DEVICE FOR VERDOL 400, 450, 500, 600, and ICBT
VE27	SPINDLE ASSEMBLY, VERDOL, N (OLDER VERSION)
VE28	POT EQUIPMENT FOR ICBT - TYPE 1
VE28A	POT EQUIPMENT FOR ICBT - TYPE 2

01-01

See page VE04 for Spindle Rebuilding
 Ve pagina VE04 para Renovacion de Huso



**EPIC PRECISION PARTS FOR VERDOL "R" SPINDLES, EXPANDED VIEW
 PARTES EPIC DE PRECISION PARA HUSOS "R"**

Epic Enterprises, Inc., P.O. Box 979, Southern Pines, NC 28388-0979 USA
 Telephone Toll Free 800-648-7273 or 910-692-5441 Outside USA
 Fax Toll Free 888-692-4147 or 910-692-4147 Outside USA
 Website: <http://www.epicenterprises.com> E-Mail: epic@epicenterprises.com



Epic Enterprises, Inc.

VE01

Position	OEM Ref. Nos.	Epic No.	Description	UOM
VE01-01	151964A01	EE304840	Spindle Assembly, R <i>Conjunto Completo de "R" Huso</i>	EA
VE01-01A	151964R	EE302930	Spindle, Rebuild Customer R CALL EPIC FOR PRICING <i>Reedificado Completo de Huso "R" Cliente EPOPEYA DE LA LLAMADA PARA TASAR</i>	EA
VE01-01B	(152096A) (151803)	EE304940	Spindle, Rebuild Customer Assembly U to R CALL EPIC FOR PRICING <i>Conversion de Huso "U" a "R" EPOPEYA DE LA LLAMADA PARA TASAR</i>	EA
VE01-01C	(152096A) (151522H)	EE304920	Spindle, Rebuild Customer Assembly G to R CALL EPIC FOR PRICING <i>Conversion de Huso "G" a "R" y Renovar Huso Completo EPOPEYA DE LA LLAMADA PARA TASAR</i>	EA
VE01-01D	(152389A01) (152280AR)	EE304842	Spindle, Rebuild Customer RM Assembly Complete CALL EPIC FOR PRICING <i>Renovar RM Huso de Cliente EPOPEYA DE LA LLAMADA PARA TASAR</i>	EA
VE01-01F	(152389A01) (152280AR)	EE304842-1	Spindle Assembly, RM, Complete, Rebuilt for Exchange CALL EPIC FOR PRICING <i>Conjunto Completo de "RM" Huso para Cambio EPOPEYA DE LA LLAMADA PARA TASAR</i>	EA
VE01-02	(151981A00) (151966A03)	EE340036	Housing, R and RM Spindle <i>Caja para Huso R y RM</i>	EA
VE01-02A	(151966A) (151791) (151274)	EE305556	Housing, Spindle, Converted U to R or G to R, Exchange (CALL EPIC FOR PRICING) <i>Conversion de Caja de Huso de "U" o "G" o "R" para Cambio</i>	EA

Epic Enterprises, Inc., P.O. Box 979, Southern Pines, NC 28388-0979 USA
 Telephone Toll Free 800-648-7273 or 910-692-5441 Outside USA
 Fax Toll Free 888-692-4147 or 910-692-4147 Outside USA
 Website: <http://www.epicenterprises.com> E-Mail: epic@epicenterprises.com



VE01-02A	152152A 151981A00 151966A03	EE340036-1	Housing, R and RM Spindle with Dust Ring <i>Caja para Huso R y RM con Protector de Polvo</i>	EA
VE01-02A	(151791) (151274) (151966A)	EE304900	Housing, Spindle,Converted U to R or G to R (Epic property) <i>Conversion de Caja de Huso de "U" o "G" o "R"</i>	EA
VE01-03	119094	EE302100	Washer, Rubber <i>Arandela de Goma para Discos Ceramicos De Tension</i>	EA
VE01-04	558044A	EE304045	Ring, Internal Retaining (30l) <i>Retenador Internal, 30mm</i>	EA
VE01-05	119093D	EE302080	Washer, Steel for 4200 Bearing <i>Arandela de Acero para Rodiamento 4200</i>	EA
VE01-06	(119098A)	EE302120	Washer, Seal (Spacer) <i>Arandela Selladura (Espaciador)</i>	EA
VE01-07	151731S	EE302660	Bearing, Top Assembly, (Steel Cage) <i>Conjunto de Rodiamento Superior con Jaula de Acero</i>	EA
VE01-08	(569027SS)	EE304202-1	Bearing, Top, Steel Cage, 5200, without seals (Note: Do not use EE302120 Washer. And, Use EE302081 modified washer in place of EE302080 washer). <i>Rodamiento Rodillos 5200 Superior con Jaula Acero</i>	EA
VE01-09	(569027SS)	EE304202	Bearing, Top, 5200, Double Seal <i>Rodamiento Superior de Rodillos 5200C3-RR</i>	EA
VE01-10	318598 581013B R24PB701	EE304500	O-Ring, Top Bearing Upper <i>Anillo "O" Superior</i>	EA
VE01-11	151729B00	EE302600	Housing, Top Bearing <i>Caja para Rodiamento Superior</i>	EA
VE01-12	581011C R20PC851	EE304460	O-Ring, Top Bearing Lower <i>Anillo "O" for Rodamiento</i>	EA
VE01-13	151138A	EE302480	Cover, Dust <i>Protector de Polvo</i>	EA



VE01-14	151900	EE302860	Bearing, Upper Oblique Assembly <i>Conjunto Superior de Rodamiento Obliquo</i>	EA
VE01-15	151897	EE302820	Housing, Upper Oblique Bearing <i>Caja Superior de Rodamiento Obliquo</i>	EA
VE01-16	569013S	EE304120	Bearing, Upper Oblique, 16004C3 <i>Rodamiento de Bolas 16004C3 para Caja Superior Oblicue</i>	EA
VE01-16A	Not Applicable	EE304120-2	Bearing, Upper Oblique, 16004C3, SKF <i>Rodamiento de Bolas 16004C3 para Caja Superior Oblicue, SKF</i>	EA
VE01-17	151899	EE302840	Bearing, Lower Oblique Assembly <i>Conjunto Bajo de Rodamiento Obliquo</i>	EA
VE01-18	569016S 6005C3	EE304140	Bearing, Lower Oblique, 6005C3 <i>Rodamiento de Bolas 6005C3 para Caja Inferior Oblicuo</i>	EA
VE01-19	151896	EE302800	Housing, Lower Oblique Bearing <i>Caja Baja de Rodamiento Obliquo</i>	EA
VE01-20	22520201 555048A DE5	EE303860	Washer, External Serrated Lock, 5mm (Unplated) <i>Arandela Dentado External, 5mm</i>	EA
VE01-21	520022A HM5X25	EE303720	Screw, Hex Head Cap, 5X25 <i>Tornillo Hexagonal, 5X25</i>	EA
VE01-22	130002	EE302320	Nut, Small <i>Tuerca Chica</i>	EA
VE01-23	140002B	EE302380	Lock Washer, Small <i>Arandela Chica de Retencion</i>	EA
VE01-24	151380D	EE302500	Stabilizer, Assembly Complete <i>Conjunto Completo de Estabilizador</i>	EA
VE01-25	130010C	EE302340	Nut, Stabilizer <i>Tuerca para Estabilizador</i>	EA
VE01-26	140003C	EE302400	Plate, Stabilizer Locking <i>Placa de Retencion para Estabilizador</i>	EA
VE01-27	140001B	EE302360	Lock Washer, Large <i>Arandela Grande de Retencion</i>	EA
VE01-28	130001	EE302300	Nut, Large <i>Tuerca Grande</i>	EA



VE01-29	559504A	EE304080	Pin, Cylinder Roll, 3X10mm <i>Pasador Paralelo, 3X10mm</i>	EA
VE01-30	520012A HM4X12	EE303680	Screw, Upper Cylinder <i>Tornillo para Cilindro Superior</i>	EA
VE01-31	555047A DE4	EE303840	Washer, External Serrated Lock, 4mm <i>Arandela Dentado External, 4mm</i>	EA
VE01-32	555036A ZU4	EE303820	Washer, Regular Flat, 4mm <i>Arandela Plana, 4mm</i>	EA
VE01-33	2034301 536028B 536604B 950612	EE303780	Screw, Hex Socket Cone Point Set, 6X12 <i>Prisionero Cabeza Hexagonal Hueca con Punta Conica, 6X12</i>	EA
VE01-34	151389G	EE302520	Cylinder, R, U & G with Roll Pin & Set Screw <i>Cilindro R, U & G con Gurrón y opresor</i>	EA
VE01-35	212670 558063A	EE304060	Ring, Cylinder Retaining (I 16K) <i>Retenador External para Caja Superior para Rodiamiento</i>	EA
VE01-36	151830	EE302780	Plug, Nylon Cylinder O-Ring Type <i>Tapon de Nylon para Cilindro para Anillo "O"</i>	EA
VE01-37	151390G	EE302522	Plug, Nylon Cylinder, Standard <i>Tapon Normo de Nylon para Cilindro</i>	EA
VE01-38	581021C	EE304520-1	O-Ring, Cylinder for EE302780 Nylon Cylinder Plug <i>Anillo "O" para EE302780 Tapon</i>	EA
VE01-38A	(581021C) 318581	EE309044	O-Ring 9.5 X 1.5mm <i>Anillo "O", 9.5 X 1.5mm</i>	EA
VE01-40	151120B	EE302460	Eyelet, Cylinder <i>Ojo Ceramico para Cilindro</i>	EA
VE01-41	151907A01	EE302880	Tube, Centering <i>Tube para Centrajea</i>	EA
VE01-42	580000A	EE304420	Washer, Cylinder Wave <i>Arandela Ondulada</i>	EA
VE01-43	212670 558063A	EE304060	Ring, Cylinder Retaining (I 16K) <i>Retenador External para Caja Superior para Rodiamiento</i>	EA



VE01-44	(151965A)	EE302940	Axle, R Spindle <i>Eje de Huso "R"</i>	EA
VE01-45	151433	EE302540	Cover, Spindle Dust <i>Protector de Polvo</i>	EA
VE01-46	151435	EE302545	Ring, Spindle Dust <i>Anillo de Proteccion de Polvo para Huso</i>	EA
VE01-47	(152088A00)	EE303200	Sleeve, Standard .100" Flanged, for Rebored Housing with O-Ring <i>Manga Norma Para Caja Reparada con Anillo "O" con Manga 0.100"</i>	EA
VE01-48	(152088A00)	EE303200-1	Sleeve, for Relocation, .150" Flanged, for Rebored Housing with O-Ring <i>Manga para Relocalizacion, a con Anillo "O" con Manga 0.150"</i>	EA
VE01-48A	(152088A00)	EE303200-2	Sleeve for Damaged Housing, 0.150", Flanged, for Rebored Housing with O- Ring <i>Manga para Caja Danada, 0.150" a con Anillo "O" con Manga</i>	EA
VE01-49	569028S	EE304220	Bearing, R Spindle Housing, 3202 with Steel Cage <i>Rodamiento Doble de Bolas para Caja de Huso "R"</i>	EA
VE01-50	318580 581158C R26PC85LJF X318580	EE304540	O-Ring for Spindle Housing <i>Anillo "O" para Caja de Huso</i>	EA
VE01-51	318603 581188C	EE304530	O-Ring 35 X 1.6 <i>Anillo "O", 35 X 1.6</i>	EA
VE01-52	152045A00	EE303120	Spacer, for R and RM Spindles <i>Espaciador para Husos R y RM</i>	EA
VE01-53	558027A C2035	EE304020	Ring, R Whorl Retaining (35l or C2.035) <i>Retenador Internal, 35mm</i>	EA
VE01-54	(440114C)-SKF 569061B DF0213LLU/15A	EE304242	Bearing, R Whorl, NTN <i>Rodamiento Doble de Bolas para Nuez R</i>	EA
VE01-55	151972A	EE303000	Housing, R or RM Whorl,40mm <i>Caja de Nuez R y RM, 40mm</i>	EA
VE01-56	151977A	EE303101	Whorl Assembly,R or RM (NTN) <i>Conjunto de Nuez para Husos R & RM</i>	EA



VE01-57	558005A C1015	EE303900	Ring, External, Retaining, (15E or C1.015) <i>Retenader External, (15E or C1.015)</i>	EA
VE01-58	(151970D)	EE302980-1	Clutch Cone Assembly, STEEL, R or RM, Hardened <i>Conjunto de Cono Acero para Freno Endurecido</i>	EA
VE01-59	152053B	EE303140-4	Clutch Cone Assembly, BRONZE, SA <i>Cono Completo de Bronce para Freno, "SA"</i>	EA
VE01-60	354797 581057A	EE309090	Fitting, Grease, for Verdol Spindle Housing and Base Cap <i>Pieza de Grasa</i>	EA
VE01-60	(581057A)	EE304535	Fitting, Grease, for R Spindle Base <i>Pieza de Grasa para Huso Inferior "R"</i>	EA
VE01-61	120002H	EE302280	Screw, Hardened Cam <i>Tornillo Endurecido para Cerrojo</i>	EA
VE01-62	151788A01	EE302720	Wire Handle Assembly <i>Conjunto de Asa de Alambre</i>	EA
VE01-63	151975B 151975B00 151975	EE303060	Sleeve, R Cam (Hardened) (Does Not Require Wear Pad) <i>Manga Endurecida para Cerrojo sin Cojincillode Uso</i>	EA
VE01-64	151975B	EE303080	Sleeve, R Cam (Hardened) with Hardened Cam Screws <i>Manga Endureada para Cerrojo "R" con Tornillos de Cerrojo</i>	EA
VE01-65	151975A	EE303082	Sleeve, R Cam (Hardened) With Wear Pad <i>Manga Endureaida para Cerrojo "R" con Cojincillo de USO</i>	EA
VE01-66	151973A	EE303020	Washer, Steel, for R, RM & F44 Spindle <i>Arandela Acero para Husos R, RM y F44</i>	EA
VE01-67	212408 558006A C1016	EE304040	Ring, External Retaining, 16mm (16E or C1.016) <i>Retenador External, 16mm (16E or C1.016)</i>	EA



VE01-68	(117143A00) 117068 92501003 X92501003	EE302040	Spring, Spindle for R, U, & G Spindle (also used for Balloon Centering Guide) <i>Resorte para Husos R, U & G y Guia de Balon</i>	EA
VE01-69	151974A03	EE303040	Spacer, Spring <i>Espacador - Resorte</i>	EA
VE01-70	212671 558002A C1010	EE303880	Ring, External Retaining, (10E or C1.010) <i>Retenador External, (10E or C1.010)</i>	EA
VE01-71	569063S	EE304260	Bearing, R& RM Spindle Base, 6200 (Open) <i>Rodamiento de Bolas 6200 para Huso Inferior, "R" y "RM"</i>	EA
VE01-72	318597 581012C	EE304480	O-Ring, R Base <i>Anillo "O" para Huso Inferior "R"</i>	EA
VE01-73	152087A01 151976A01	EE303180	Cap, Bottom Housing, with O-Ring & Grease Fitting <i>Cubierta Inferior de Caja con Anillo "O" y Pieza de Grasa</i>	EA
VE01-74	22520201 555048A DE5	EE303860	Washer, External Serrated Lock, 5mm (Unplated) <i>Arandela Dentado External, 5mm</i>	EA
VE01-75	20283401 524509B HICM5X16	EE303760	Screw, Socket Head Cap, 5X16 <i>Tornillo Cilindrico, 5X16</i>	EA
VE01-76	(152084A00)	EE303115	Sleeve, Repair, for Lower Spindle Housing <i>Manga a Repara Caja de Huso Interior</i>	EA
VE01-77	(152084A00)	EE303116	Sleeve, Repair, Lower Spindle Housing (Larger OD) <i>Manga a Repara Caja de Huso Interior</i>	EA
VE01-78	152074A	EE303160	Cover, Dust, Plastic <i>Protector Plastico de Polvo</i>	EA
VE01-79	(581057A)	EE304535	Fitting, Grease, for R Spindle Base <i>Pieza de Grasa para Huso Inferior "R"</i>	EA
VE01-79	354797 581057A	EE309090	Fitting, Grease, for Verdol Spindle Housing and Base Cap <i>Pieza de Grasa</i>	EA



VE01-80	Not Applicable	EE304820V	Grease, Spindle Bearing, Kluber, 1 Kilo (Not Shown) <i>Grasa Sintetica para Rodamientos de Huso (por Kilo)(No Ilustrado)</i>	EA
VE01-81	Not Applicable	EE304823	Grease, R Axle Spline (30CC Syringe) (Not Shown) <i>Gasa para ranvras de Eje de Huso en Jeringa de 30cc (No Ilustrado)</i>	EA
VE01-82	Not Applicable	EE304821	Grease, R Axle Spline, Kluber (1 Kilo Can) (Not Shown) <i>Grasa para Ronvros de Eje de Huso, 1kg. (No Ilustrado)</i>	EA
VE01-83	Not Applicable	EE304822	Loctite RC/609-21, 10 ml. Bottle for securing spindle bearings (Not Shown) <i>Cola Loctite RC/609-21 para sequiridad de rodamientos de Huso, 10ml.</i>	EA
VE01-84	151980A00	EE309096	Axle, R, and Cylinder Assembly <i>Conjunto de Eje "R" y Cilindro Completo</i>	EA

Epic products are intended as replacements for worn or damaged parts in OEM products. OEM Part numbers in (parenthesis) indicate either 1) Improved design 2) the part serves the same function as the OEM part, but may differ from the OEM design, or 3) it is a component of an assembly where no OEM reference number is available, or 4) it is a repair service for the referenced OEM part.

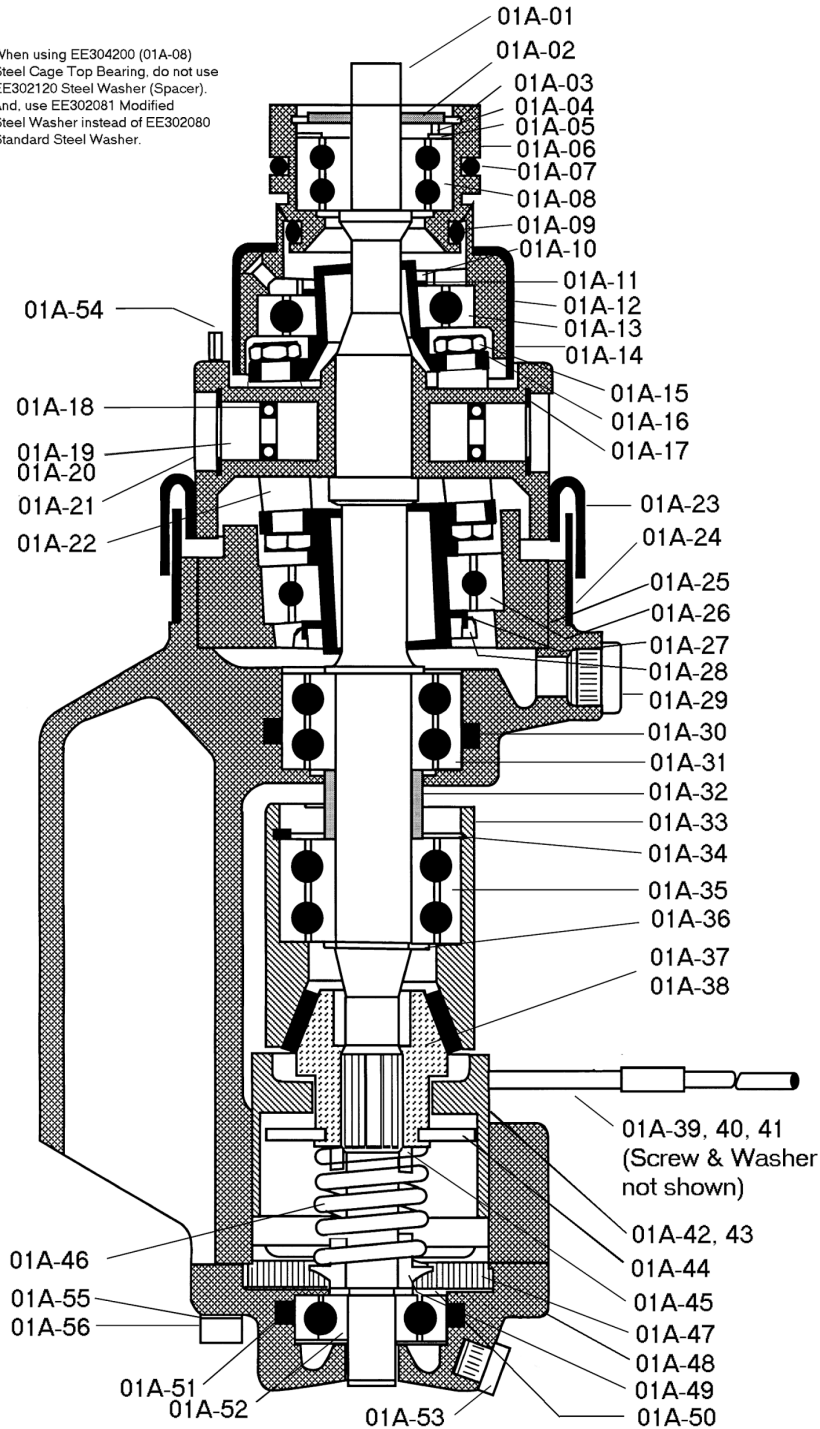
EE is an Epic trademark designating Epic parts

Verdol is a trademark of Rieter/ ICBT

© Epic Enterprises, March 2008



When using EE304200 (01A-08)
Steel Cage Top Bearing, do not use
EE302120 Steel Washer (Spacer).
And, use EE302081 Modified
Steel Washer instead of EE302080
Standard Steel Washer.



R SPINDLE POSTERS (ASSEMBLED VIEW)
CARTELES Del HUSO De R (VISIÓN MONTADA)

Epic Enterprises, Inc., P.O. Box 979, Southern Pines, NC 28388-0979 USA
Telephone Toll Free 800-648-7273 or 910-692-5441 Outside USA
Fax Toll Free 888-692-4147 or 910-692-4147 Outside USA
Website: <http://www.epicenterprises.com> E-Mail: epic@epicenterprises.com



Position	OEM Ref. Nos.	Epic No.	Description	UOM
VE01A-01	(151965A)	EE302940	Axle, R Spindle <i>Eje de Huso "R"</i>	EA
VE01A-01A	(151965A)	EE302940-1	Axle, R Spindle, Hardened Spline <i>Eje de Huso "R" con Ranuras Endurecidas</i>	EA
VE01A-01B	(151965A)	EE302940-2	Axle, R Spindle for Cabling <i>Eje para Huso "R" para Cabledora</i>	EA
VE01A-01C	(151965A)	EE302940-3	Axle, R Spindle for Cabling with Hardened Spline <i>Eje para Huso "R" para Cabledora</i>	EA
VE01A-02	119094	EE302100	Washer, Rubber <i>Arandela de Goma para Discos Ceramicos De Tension</i>	EA
VE01A-03	558044A	EE304045	Ring, Internal Retaining (30I) <i>Retenador Internal, 30mm</i>	EA
VE01A-04	119093D	EE302080	Washer, Steel for 4200 Bearing <i>Arandela de Acero para Rodamiento 4200</i>	EA
VE01A-05	(119098A)	EE302120	Washer, Seal (Spacer) <i>Arandela Selladura (Espaciador)</i>	EA
VE01A-06	151729B00	EE302600	Housing, Top Bearing <i>Caja para Rodamiento Superior</i>	EA
VE01A-07	318598 581013B R24PB701	EE304500	O-Ring, Top Bearing Upper <i>Anillo "O" Superior</i>	EA
VE01A-08	(569027SS)	EE304202-1	Bearing, Top, Steel Cage, 5200, without seals (Note: Do not use EE302120 Washer. And, Use EE302081 modified washer in place of EE302080 washer). <i>Rodamiento Rodillos 5200 Superior con Jaula Acero</i>	EA
VE01A-08A	(569027SS)	EE304202	Bearing, Top, 5200, Double Seal <i>Rodamiento Superior de Rodillos 5200C3-RR</i>	EA
VE01A-09	581011C R20PC851	EE304460	O-Ring, Top Bearing Lower <i>Anillo "O" for Rodamiento</i>	EA
VE01A-10	130002	EE302320	Nut, Small <i>Tuerca Chica</i>	EA



VE01A-11	140002B	EE302380	Lock Washer, Small <i>Arandela Chica de Retencion</i>	EA
VE01A-12	151897	EE302820	Housing, Upper Oblique Bearing <i>Caja Superior de Rodiamento Obliquo</i>	EA
VE01A-13	569013S	EE304120	Bearing, Upper Oblique, 16004C3 <i>Rodamiento de Bolas 16004C3 para Caja Superior Oblicue</i>	EA
VE01A-13A	Not Applicable	EE304120-2	Bearing, Upper Oblique, 16004C3, SKF <i>Rodamiento de Bolas 16004C3 para Caja Superior Oblicue, SKF</i>	EA
VE01A-14	151138A	EE302480	Cover, Dust <i>Protector de Polvo</i>	EA
VE01A-15	130010C	EE302340	Nut, Stabilizer <i>Tuerca para Estabilizador</i>	EA
VE01A-16	140003C	EE302400	Plate, Stabilizer Locking <i>Placa de Retencion para Estabilizador</i>	EA
VE01A-17	212670 558063A	EE304060	Ring, Cylinder Retaining (I 16K) <i>Retenador External para Caja Superior para Rodiamento</i>	EA
VE01A-18	581021C	EE304520-1	O-Ring, Cylinder for EE302780 Nylon Cylinder Plug <i>Anillo "O" para EE302780 Tapon</i>	EA
VE01A-19	151830	EE302780	Plug, Nylon Cylinder O-Ring Type <i>Tapon de Nylon para Cilindro para Anillo "O"</i>	EA
VE01A-20	151390G	EE302522	Plug, Nylon Cylinder, Standard <i>Tapon Normo de Nylon para Cilindro</i>	EA
VE01A-21	151389G	EE302520	Cylinder, R, U & G with Roll Pin & Set Screw <i>Cilindro R, U & G con Gurrón y opresor</i>	EA
VE01A-22	151380D	EE302500	Stabilizer, Assembly Complete <i>Conjunto Completo de Estabilizador</i>	EA
VE01A-23	151433	EE302540	Cover, Spindle Dust <i>Protector de Polvo</i>	EA
VE01A-24	151435	EE302545	Ring, Spindle Dust <i>Anillo de Proteccion de Polvo para Huso</i>	EA
VE01A-25	151896	EE302800	Housing, Lower Oblique Bearing <i>Caja Baja de Rodiamento Obliquo</i>	EA



VE01A-26	569016S 6005C3	EE304140	Bearing, Lower Oblique, 6005C3 <i>Rodamiento de Bolas 6005C3 para Caja Inferior Oblcuo</i>	EA
VE01A-26A	(569016S)	EE304144	Bearing, Lower Oblique, 6005-2RSC3 <i>Rodamiento de Bolas, 6005-2RSC3</i>	EA
VE01A-27	140001B	EE302360	Lock Washer, Large <i>Arandela Grande de Retencion</i>	EA
VE01A-28	130001	EE302300	Nut, Large <i>Tuerca Grande</i>	EA
VE01A-29	354797 581057A	EE309090	Fitting, Grease, for Verdol Spindle Housing and Base Cap <i>Pieza de Grasa</i>	EA
VE01A-29	(581057A)	EE304535	Fitting, Grease, for R Spindle Base <i>Pieza de Grasa para Huso Inferior "R"</i>	EA
VE01A-30	318580 581158C R26PC85LJF X318580	EE304540	O-Ring for Spindle Housing <i>Anillo "O" para Caja de Huso</i>	EA
VE01A-31	569028S	EE304220	Bearing, R Spindle Housing, 3202 with Steel Cage <i>Rodamiento Doble de Bolas para Caja de Huso "R"</i>	EA
VE01A-31A	3202 569028R	EE304222	Bearing, R Spindle Housing, Double Seal, 3202.2RS <i>Rodamiento Doble de Bolas para Caja de Huso "R"</i>	EA
VE01A-32	152045A00	EE303120	Spacer, for R and RM Spindles <i>Espaciador para Husos R y RM</i>	EA
VE01A-33	151972A	EE303000	Housing, R or RM Whorl,40mm <i>Caja de Nuez R y RM, 40mm</i>	EA
VE01A-34	558027A C2035	EE304020	Ring, R Whorl Retaining (35I or C2.035) <i>Retenador Internal, 35mm</i>	EA
VE01A-35	(440114C)-SKF 569061B DF0213LLU/15A	EE304242	Bearing, R Whorl, NTN <i>Rodamiento Doble de Bolas para Nuez R</i>	EA
VE01A-36	558005A C1015	EE303900	Ring, External, Retaining, (15E or C1.015) <i>Retenader External, (15E or C1.015)</i>	EA



VE01A-37	(151970D)	EE302980-1	Clutch Cone Assembly, STEEL, R or RM, Hardened <i>Conjunto de Cono Acero para Freno Endurecido</i>	EA
VE01A-38	152053B	EE303140-4	Clutch Cone Assembly, BRONZE, SA <i>Cono Completo de Bronce para Freno, "SA"</i>	EA
VE01A-39	520021A	EE303700	Screw, Hex Head Cap, 5X10 <i>Tornillo Hexagonal, 5X10</i>	EA
VE01A-40	555002A LU5	EE303800	Washer, for Cam and Handle <i>Arandelas para Cerrojo y Arandela de Asa</i>	EA
VE01A-41	151788A01	EE302720	Wire Handle Assembly <i>Conjunto de Asa de Alambre</i>	EA
VE01A-42	120002H	EE302280	Screw, Hardened Cam <i>Tornillo Endurecido para Cerrojo</i>	EA
VE01A-43	151975B 151975B00 151975	EE303060	Sleeve, R Cam (Hardened) (Does Not Require Wear Pad) <i>Manga Endurecida para Cerrojo sin Cojincillo de Uso</i>	EA
VE01A-43A	151975B	EE303080	Sleeve, R Cam (Hardened) with Hardened Cam Screws <i>Manga Endurecida para Cerrojo "R" con Tornillos de Cerrojo</i>	EA
VE01A-43B	151975A	EE303082	Sleeve, R Cam (Hardened) With Wear Pad <i>Manga Endurecida para Cerrojo "R" con Cojincillo de USO</i>	EA
VE01A-43C	151975C	EE303084	Sleeve, R Cam (Hardened) with Wear Pad and Hardened Screws <i>Manga Endurecida para Cerrojo "R" con Cojincillo de Uso</i>	EA
VE01A-43D	(152082A00)	EE303064	Pad, Wear for EE303082 or EE303084 <i>Cojincillo de Uso para EE303082 or EE303084</i>	EA
VE01A-44	151973A	EE303020	Washer, Steel, for R, RM & F44 Spindle <i>Arandela Acero para Husos R, RM y F44</i>	EA



VE01A-45	212408 558006A C1016	EE304040	Ring, External Retaining, 16mm (16E or C1.016) <i>Retenador External, 16mm (16E or C1.016)</i>	EA
VE01A-46	(117143A00) 117068 92501003 X92501003	EE302040	Spring, Spindle for R, U, & G Spindle (also used for Balloon Centering Guide) <i>Resorte para Husos R, U & G y Guía de Balon</i>	EA
VE01A-47	152074A	EE303160	Cover, Dust, Plastic <i>Protector Plastico de Polvo</i>	EA
VE01A-48	152087A01 151976A01	EE303180	Cap, Bottom Housing, with O-Ring & Grease Fitting <i>Cubierta Inferior de Caja con Anillo "O" y Pieza de Grasa</i>	EA
VE01A-49	151974A03	EE303040	Spacer, Spring <i>Espacador - Resorte</i>	EA
VE01A-50	212671 558002A C1010	EE303880	Ring, External Retaining, (10E or C1.010) <i>Retenador External, (10E or C1.010)</i>	EA
VE01A-51	318597 581012C	EE304480	O-Ring, R Base <i>Anillo "O" para Huso Inferior "R"</i>	EA
VE01A-52	569063S	EE304260	Bearing, R & RM Spindle Base, 6200 (Open) <i>Rodamiento de Bolas 6200 para Huso Inferior, "R" y "RM"</i>	EA
VE01A-52A	(569063S)	EE304262	Bearing, R & RM Spindle Base, 6200-2RS, (Double Seal) <i>Rodamiento de Bolas 6200 para Huso Inferior, "R" y "RM"</i>	EA
VE01A-52B	(569063S)	EE304262-1	Bearing, R & RM Spindle Base, 6200-2RS, (Double Seal), SKF <i>Rodamiento de Bolas 6200 para Huso Inferior, "R" y "RM", SKF</i>	EA
VE01A-53	(581057A)	EE304535	Fitting, Grease, for R Spindle Base <i>Pieza de Grasa para Huso Inferior "R"</i>	EA
VE01A-53	354797 581057A	EE309090	Fitting, Grease, for Verdol Spindle Housing and Base Cap <i>Pieza de Grasa</i>	EA
VE01A-54	559504A	EE304080	Pin, Cylinder Roll, 3X10mm <i>Pasador Paralelo, 3X10mm</i>	EA



VE01A-55	22520201 555048A DE5	EE303860	Washer, External Serrated Lock, 5mm (Unplated) <i>Arandela Dentado External, 5mm</i>	EA
VE01A-56	20283401 524509B HICM5X16	EE303760	Screw, Socket Head Cap, 5X16 <i>Tornillo Cilindrico, 5X16</i>	EA
VE01A-NS	354797 581057A	EE309090	Fitting, Grease, for Verdol Spindle Housing and Base Cap <i>Pieza de Grasa</i>	EA

Verdol is a trademark of ICBT

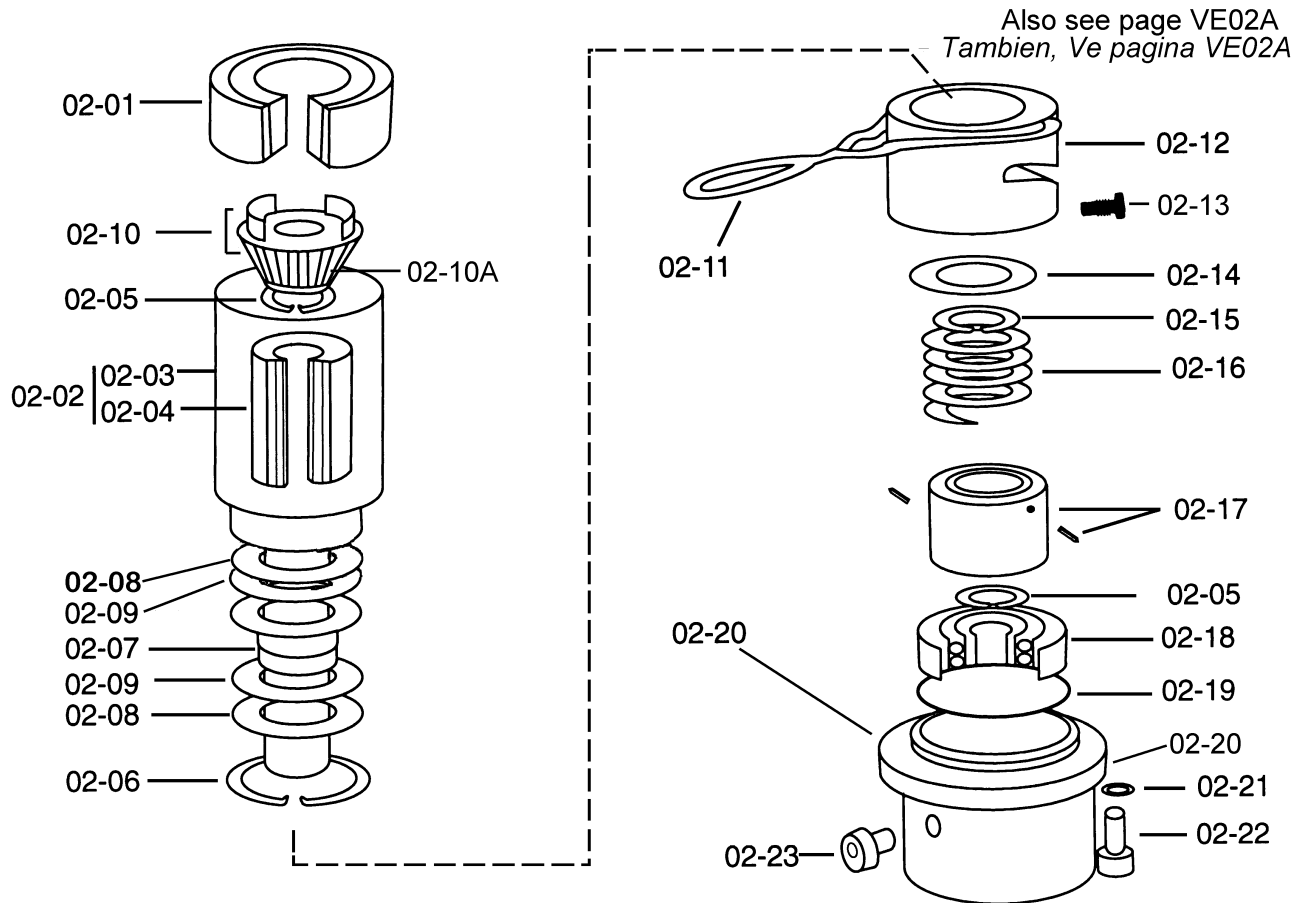
Epic products are intended as replacements for worn or damaged parts in OEM products. OEM Part numbers in (parenthesis) indicate either 1) Improved design 2) the part serves the same function as the OEM part, but may differ from the OEM design, or 3) it is a component of an assembly where no OEM reference number is available, or 4) it is a repair service for the referenced OEM part.

EE is an Epic trademark designating Epic parts

Verdol is a trademark of Rieter/ ICBT

© Epic Enterprises, March 2008





EPIC PARTS FOR OLD U AND G VERDOL SPINDLES
PARTES DE EPIC PARA HUSOS VIEJOS DE VERDOL TIPOS U Y G

Epic Enterprises, Inc., P.O. Box 979, Southern Pines, NC 28388-0979 USA
Telephone Toll Free 800-648-7273 or 910-692-5441 Outside USA
Fax Toll Free 888-692-4147 or 910-692-4147 Outside USA
Website: <http://www.epicenterprises.com> E-Mail: epic@epicenterprises.com



Position	OEM Ref. Nos.	Epic No.	Description	UOM
VE02-03	151055F	EE302440	Housing, U Whorl <i>Caja para Nuez "U"</i>	EA
VE02-05	212407 588003A C1012	EE304640	Ring, External Retaining (12E or C1.012) <i>Retenador External (12E or C1.012)</i>	EA
VE02-06	212408 558006A C1016	EE304040	Ring, External Retaining, 16mm (16E or C1.016) <i>Retenador External, 16mm (16E or C1.016)</i>	EA
VE02-07	151919	EE302920	Cap Extension for U Spindle <i>Extension para Huso "U"</i>	EA
VE02-07	151651 151918	EE302900	Cap Extension, for G Spindle <i>Extension para Huso "G"</i>	EA
VE02-08	119127A	EE302160	Washer, Steel Spindle <i>Arandela de Acero para Huso</i>	EA
VE02-09	119126	EE302140	Washer, Spindle Plastic <i>Arandela Plastica para Huso</i>	EA
VE02-10	151053G	EE302420	Clutch Cone, U Assembly <i>Conjunto de Freno Conico para Huso "U"</i>	EA
VE02-10A	(151053G)	EE302422	Pad, Woven Clutch for U/G Cone Assembly <i>Cojincillo para Conjunto de Freno de Conico "U/G"</i>	EA
VE02-11	151788A01	EE302720	Wire Handle Assembly <i>Conjunto de Asa de Alambre</i>	EA
VE02-13	120002H	EE302280	Screw, Hardened Cam <i>Tornillo Endurecido para Cerrojo</i>	EA
VE02-15	212408 558006A C1016	EE304040	Ring, External Retaining, 16mm (16E or C1.016) <i>Retenador External, 16mm (16E or C1.016)</i>	EA
VE02-16	120002H	EE302280	Screw, Hardened Cam <i>Tornillo Endurecido para Cerrojo</i>	EA
VE02-17	151806A	EE302760	Collar, U Thrust, Brass, with Pins <i>Collarin "U" de Ladon con Gurrón</i>	EA



VE02-18	569009S 6301	EE304100	Bearing, U Spindle Base, 6301 <i>Rodamiento de Bolas 6301 para Huso Inferior, "U"</i>	EA
VE02-21	22520201 555048A DE5	EE303860	Washer, External Serrated Lock, 5mm (Unplated) <i>Arandela Dentado External, 5mm</i>	EA
VE02-22	20283401 524509B HICM5X16	EE303760	Screw, Socket Head Cap, 5X16 <i>Tornillo Cilindrico, 5X16</i>	EA

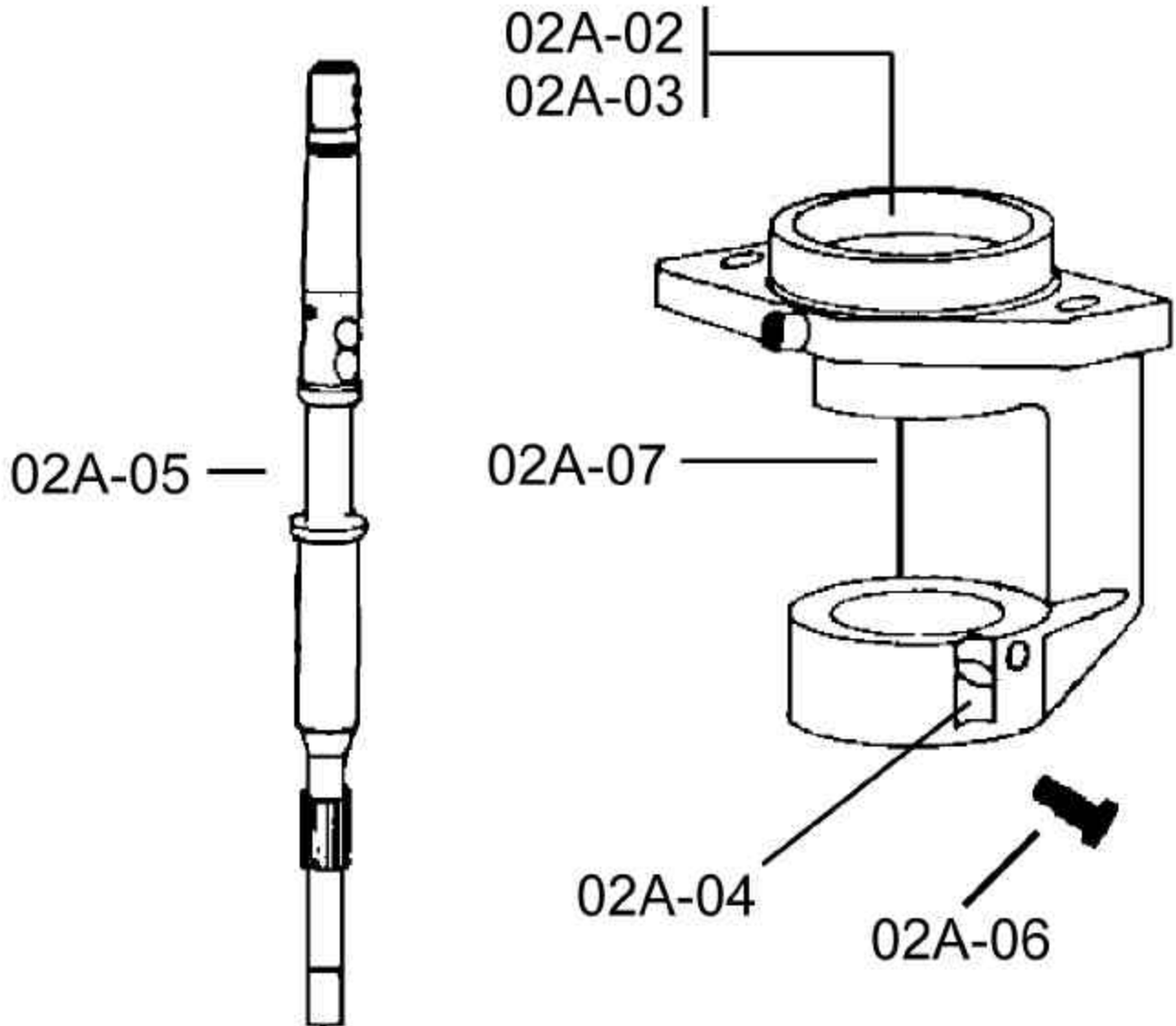
Epic products are intended as replacements for worn or damaged parts in OEM products. OEM Part numbers in (parenthesis) indicate either 1) Improved design 2) the part serves the same function as the OEM part, but may differ from the OEM design, or 3) it is a component of an assembly where no OEM reference number is available, or 4) it is a repair service for the referenced OEM part.

EE is an Epic trademark designating Epic parts

Verdol is a trademark of Rieter/ ICBT

© Epic Enterprises, March 2008





U AND G SPINDLE CONVERSION TO R SPINDLE
CONVERSION DE HUSOS "U" Y "G" A HUSO "R"



Position	OEM Ref. Nos.	Epic No.	Description	UOM
VE02A-01	(152096A) (151803)	EE304940	Spindle, Rebuild Customer Assembly U to R CALL EPIC FOR PRICING <i>Conversion de Huso "U" a "R"</i> <i>EPOPEYA DE LA LLAMADA PARA</i> <i>TASAR</i>	EA
VE02A-01A	(152096A) (151522H)	EE304920	Spindle, Rebuild Customer Assembly G to R CALL EPIC FOR PRICING <i>Conversion de Huso "G" a "R" y Renovar</i> <i>Huso Completo</i> <i>EPOPEYA DE LA LLAMADA PARA</i> <i>TASAR</i>	EA
VE02A-02	(152088A00)	EE303200	Sleeve, Standard .100" Flanged, for Rebored Housing with O-Ring <i>Manga Norma Para Caja Reparada con</i> <i>Anillo "O" con Manga 0.100"</i>	EA
VE02A-02A	(152088A00)	EE303200-1	Sleeve, for Relocation, .150" Flanged, for Rebored Housing with O-Ring <i>Manga para Relocalizacion, a con Anillo</i> <i>"O" con Manga 0.150"</i>	EA
VE02A-02B	(152088A00)	EE303200-2	Sleeve for Damaged Housing, 0.150", Flanged, for Rebored Housing with O- Ring <i>Manga para Caja Danada, 0.150" a con</i> <i>Anillo "O" con Manga</i>	EA
VE02A-03	318603 581188C	EE304530	O-Ring 35 X 1.6 <i>Anillo "O", 35 X 1.6</i>	EA
VE02A-04	(151791) (151274K)	EE302953	Plug, Plastic Spindle Housing, for converted U & G Housings <i>Rapon Superior para Caja de Huso para</i> <i>cajas U & G reedificadas</i>	EA
VE02A-05	(151965A)	EE302940	Axle, R Spindle <i>Eje de Huso "R"</i>	EA
VE02A-05A	(151965A)	EE302940-1	Axle, R Spindle, Hardened Spline <i>Eje de Huso "R" con Ranuras</i> <i>Endurecidas</i>	EA
VE02A-05B	(151965A)	EE302940-2	Axle, R Spindle for Cabling <i>Eje para Huso "R" para Cabledora</i>	EA



VE02A-05C	(151965A)	EE302940-3	Axle, R Spindle for Cabling with Hardened Spline <i>Eje para Huso "R" para Cabledora</i>	EA
VE02A-06	120002H	EE302280	Screw, Hardened Cam <i>Tornillo Endurecido para Cerrojo</i>	EA
VE02A-07	(151981A00) (151966A03)	EE340036	Housing, R and RM Spindle <i>Caja para Huso R y RM</i>	EA
VE02A-07A	152152A 151981A00 151966A03	EE340036-1	Housing, R and RM Spindle with Dust Ring <i>Caja para Huso R y RM con Protector de Polvo</i>	EA

The model U and G spindles are only different from the standard R type spindle in the lower spindle components. Refer to the drawing on the previous page showing the lower U spindle components. This may be compared to the lower R spindle in catalog selection 01.

In recent years, most U and G spindles have been upgraded to the newer and lower maintenance R spindle configuration through machining of the U or G housing and installation of a conversion sleeve, o-ring and plastic oil hole plug. The completed spindle uses the R type axle and other R lower spindle components including the R clutch. This conversion is normally performed by Epic as part of a regular rebuild program for the plant.

Las versiones anteriores de husos tip U y G difieren solamente del Nuevo huso R en la parte baja del huso. Refiérase a la Sección VE02 para comentarios sobre el huso tipo U. Esto puede ser comparado con el conjunto completo de huso R de la Sección VE01.

En años recientes, la mayoría de los husos tip U y G han sido modificados y mejorados a la versión moderna tip R que requiere menos mantenimiento a través del maquinado del alojamiento de los tipos U y G y la instalación de una manga de cambio, un o-ring y una boquilla plástica para lubricación. El huso completo utiliza el eje y demás componentes del huso tip R, incluyendo el cono de embrague. La modificación es normalmente efectuada por EPIC como parte del programa regular de reconstrucción de husos.

Los ejes de Epic con husos endurecidos son generalmente preferidos por la más larga vida de los ejes.

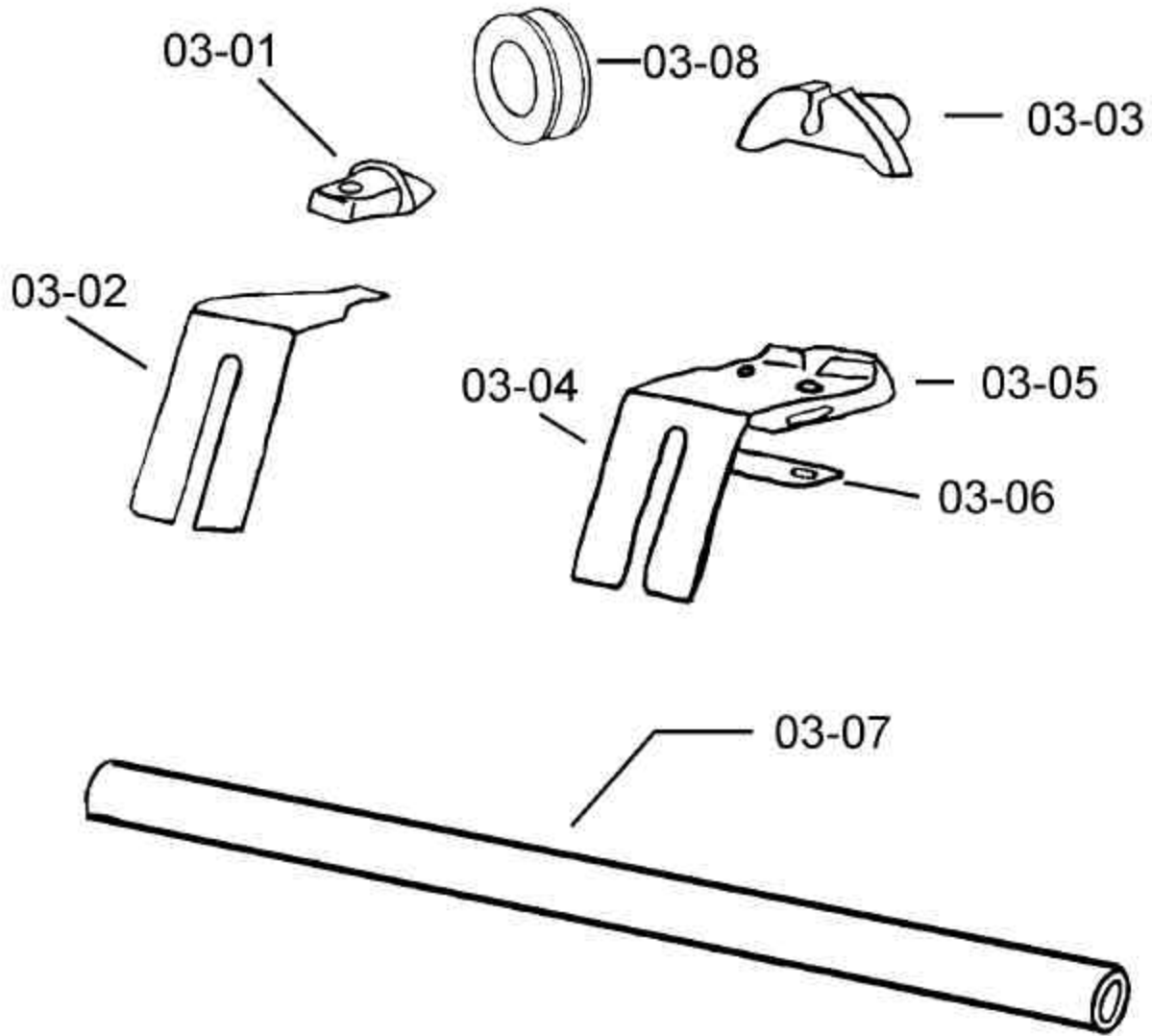
Epic products are intended as replacements for worn or damaged parts in OEM products. OEM Part numbers in (parenthesis) indicate either 1) Improved design 2) the part serves the same function as the OEM part, but may differ from the OEM design, or 3) it is a component of an assembly where no OEM reference number is available, or 4) it is a repair service for the referenced OEM part.

EE is an Epic trademark designating Epic parts

Verdol is a trademark of Rieter/ ICBT

© Epic Enterprises, March 2008





EPIC PARTS FOR ORIGINAL VERDOL TRAVERSE SYSTEM
PARTES DE EPIC PARA SISTEM ORIGINAL DE VAIVEN DE VERDOL

Epic Enterprises, Inc., P.O. Box 979, Southern Pines, NC 28388-0979 USA
Telephone Toll Free 800-648-7273 or 910-692-5441 Outside USA
Fax Toll Free 888-692-4147 or 910-692-4147 Outside USA
Website: <http://www.epicenterprises.com> E-Mail: epic@epicenterprises.com



Position	OEM Ref. Nos.	Epic No.	Description	UOM
VE03-03	205000A	EE303380	Guide, Small Ceramic Yarn Traverse <i>Guia Chica Ceramica para Voivon</i>	EA
VE03-07	211363 217498J00 211430	EE303470	Tubing, Traverse, 10X1598mm <i>Tube de Vaiven, 10X1598mm</i>	EA
VE03-07A	219111A01	EE303470-1	Tubing, Traverse, 10X1998mm <i>Tube de Vaiven, 10X1998mm</i>	EA
VE03-08	212113B	EE303472	Roller, Traverse, Verdol Type <i>Rodillo de Vaiven, Tipo Verdol</i>	EA

See Section 10 for Improved Traverse System.

Ve Seccion 10 para Sistema Mejorada de Vaiven.

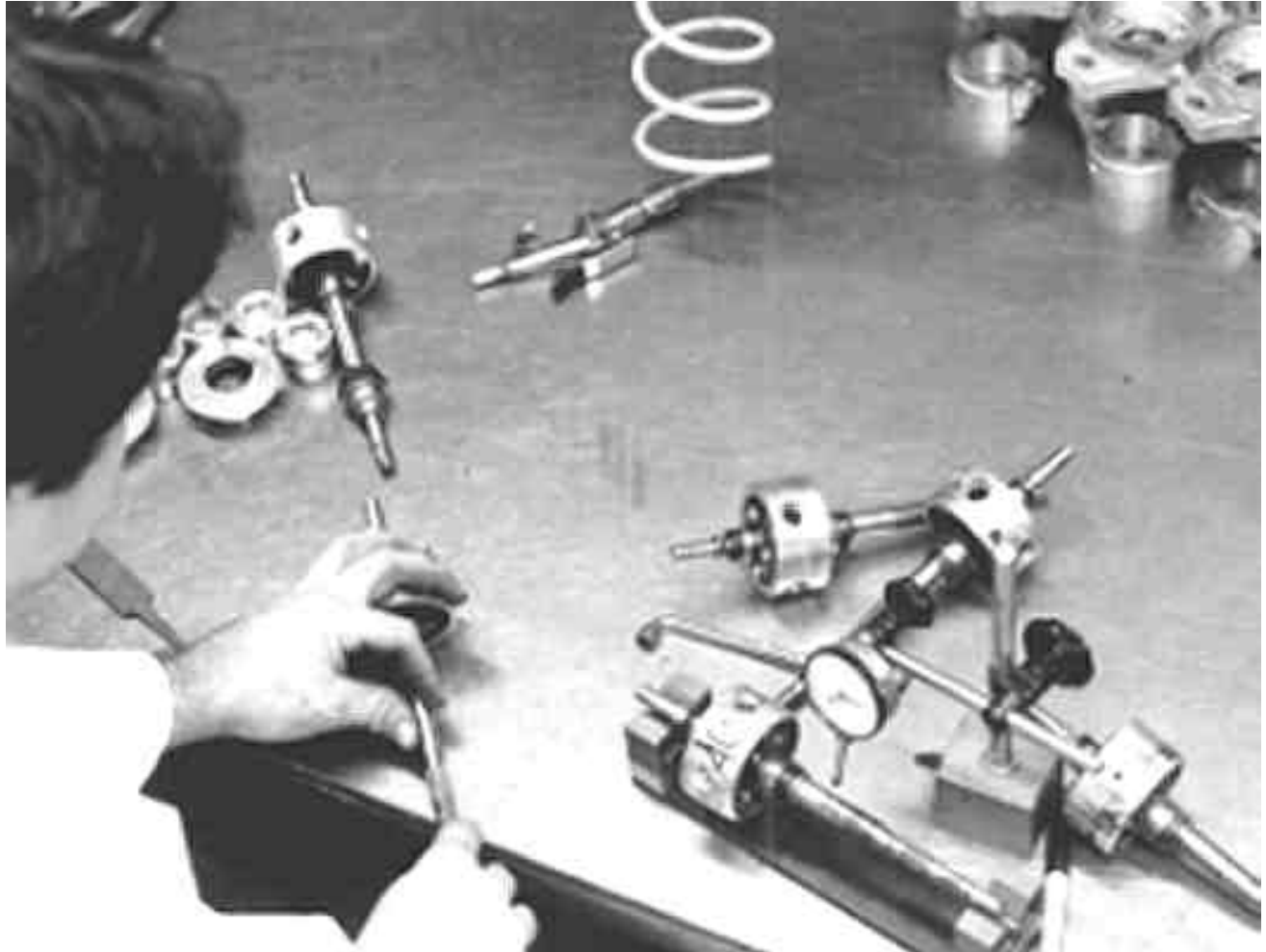
Epic products are intended as replacements for worn or damaged parts in OEM products. OEM Part numbers in (parenthesis) indicate either 1) Improved design 2) the part serves the same function as the OEM part, but may differ from the OEM design, or 3) it is a component of an assembly where no OEM reference number is available, or 4) it is a repair service for the referenced OEM part.

EE is an Epic trademark designating Epic parts

Verdol is a trademark of Rieter/ ICBT

© Epic Enterprises, March 2008





REBUILDING OF VERDOL/ICBT SPINDLES AT EPIC
TRAINING OF PERSONNEL IN REBUILDING SPINDLES
RENOVACION DE HUSOS VERDOL/ICBT A EPIC

Epic Enterprises, Inc., P.O. Box 979, Southern Pines, NC 28388-0979 USA
Telephone Toll Free 800-648-7273 or 910-692-5441 Outside USA
Fax Toll Free 888-692-4147 or 910-692-4147 Outside USA
Website: <http://www.epicenterprises.com> E-Mail: epic@epicenterprises.com



Position	OEM Ref. Nos.	Epic No.	Description	UOM
VE04-01	(152096A) (151522H)	EE304920	Spindle, Rebuild Customer Assembly G to R CALL EPIC FOR PRICING <i>Conversion de Huso "G" a "R" y Renovar Huso Completo EPOPEYA DE LA LLAMADA PARA TASAR</i>	EA
VE04-02	(152096A) (151803)	EE304940	Spindle, Rebuild Customer Assembly U to R CALL EPIC FOR PRICING <i>Conversion de Huso "U" a "R" EPOPEYA DE LA LLAMADA PARA TASAR</i>	EA
VE04-03	151964R	EE302930	Spindle, Rebuild Customer R CALL EPIC FOR PRICING <i>Reedificado Completo de Huso "R" Cliente EPOPEYA DE LA LLAMADA PARA TASAR</i>	EA
VE04-03A	(151964A01)	EE304840-1	Spindle Assembly, R, Complete, Rebuilt for Exchange CALL EPIC FOR PRICING <i>Conjunto Completo de "R" Huso para Cambio EPOPEYA DE LA LLAMADA PARA TASAR</i>	EA
VE04-04	(152389A01) (152280AR)	EE304842	Spindle, Rebuild Customer RM Assembly Complete CALL EPIC FOR PRICING <i>Renovar RM Huso de Cliente EPOPEYA DE LA LLAMADA PARA TASAR</i>	EA
VE04-04A	(152389A01) (152280AR)	EE304842-1	Spindle Assembly, RM, Complete, Rebuilt for Exchange CALL EPIC FOR PRICING <i>Conjunto Completo de "RM" Huso para Cambio EPOPEYA DE LA LLAMADA PARA TASAR</i>	EA
VE04-05	(92009000)	EE309045	Spindle, Rebuild Customer F44 CALL EPIC FOR PRICING <i>Reedificar Huso F44 de Cliente EPOPEYA DE LA LLAMADA PARA TASAR</i>	EA



VE04-06	(032084017)	EE309099	Rebuild Customer ICBT CD/DT; N Spindle CALL EPIC FOR PRICING <i>Reedificado Completo de Huso ICBT CD/DT; N Cliente EPOPEYA DE LA LLAMADA PARA TASAR</i>	EA
VE04-07	Not Applicable	EE309107	Spindle, Rebuild Customer Verdol N CALL EPIC FOR PRICING <i>Reedificado Completo de Huso Verdol "N" Cliente - EPOPEYA DE LA LLAMADA PARA TASAR</i>	EA

PROVEN MONEY SAVERS FOR YARN PLANTS

GENERAL: Most plants find that about 75% of the total cost of maintaining an entire Verdol twister, in terms of both labor and parts, is in the spindle. Therefore, considerable attention must be paid to rebuilding the spindle correctly.

REBUILDING PROGRAM: Rebuilding of Verdol spindles is done in Southern Pines by Epic and in Europe by Epic's distributor, Muschamp Machine Services. During rebuilding, and to decrease the maintenance cost of the earlier G & U spindles, Epic recommends upgrading these spindles to the R-Type Spindle or to the magnetically stabilized EpiMag SA II or EpiMag SAIII systems. All bearings are replaced during rebuilding. All rebuilt spindles are given a final test by holding them at 6200 RPM to check for vibration and other problems. The care given in Epic's rebuilding assures maximum spindle performance and life.

YARN PLANT PERSONNEL REBUILDING TRAINING: For plants rebuilding their own spindles, Epic offers training AT NO CHARGE. The only cost is the labor and new parts that are required when rebuilding your spindles during training. Normally plant spindle rebuilders bring two to four spindles to Epic for a one-day "hands-on" training session. Your rebuilder follows the Epic technician through each step of disassembly, parts inspection and rebuilding with the correct tools and techniques. Your rebuilder then rebuilds his own spindles with the Epic technician observing and commenting on the importance of each step.

For any plant rebuilding its own spindles, this expert instruction is invaluable. Comments from rebuilders and plants after training are that the training really helped them in reducing premature spindle failure and the costs in maintaining spindles.

DYNAMIC BALANCING OF DISC ASSEMBLIES can only be achieved on sophisticated dual-plane balancing machines, such as Epic's computerized equipment. Balancing points for Verdol disc assemblies are on the hub area of the assembly.

INSTRUMENTS AND TOOLS USED IN SPINDLE REBUILDING: For plants that do their own rebuilding, Epic offers over 50 specialized tools and instruments for disassembly, assembly and checking the trueness of component parts. It is strongly recommended that plants that do their own rebuilding work take advantage of Epic's training program which allows them to see and work with these tools. They can then decide which additional tools may be needed for their own facility. A few of these tools and instruments are shown in the accompanying photographs.

GENERALIDADES: La mayoría de las plantas han determinado que alrededor del 75% del costo total de mantenimiento de sus máquinas Verdol en mano de obra y repuestos está en los husos. De tal manera que una

Epic Enterprises, Inc., P.O. Box 979, Southern Pines, NC 28388-0979 USA
Telephone Toll Free 800-648-7273 or 910-692-5441 Outside USA
Fax Toll Free 888-692-4147 or 910-692-4147 Outside USA
Website: <http://www.epicenterprises.com> E-Mail: epic@epicenterprises.com



especial atención debe ponerse en la reconstrucción correcta de los husos.

PROGRAMAS DE RECONSTRUCCION: La reconstrucción de los husos de las máquinas Verdol se hace en Southern Pines por Epic y en Muschamp Machine Services, distribuidor de Epic, en Europa. Para la reconstrucción, y para disminuir el costo de mantenimiento de los antiguos tipos de husos U y G, Epic recomienda la modernización de los husos al tipo R, o a los sistemas de huso con estabilización magnética EpiMag SAII o EpiMag SAIII. Todos los rodamientos son reemplazados durante este proceso. Todos los husos son probados luego de la reconstrucción a 6200 RPM para controlar vibración u otros problemas. El cuidado puesto por Epic durante la reconstrucción garantiza el funcionamiento y la vida de los husos.

ENTRENAMIENTO AL PERSONAL DE PLANTA DE HILATURA EN RECONSTRUCCIÓN DE HUSOS: Para plantas que reconstruyen sus propios husos, Epic ofrece entrenamiento SIN COSTO. El único costo es la mano de obra y el costo de las partes que requieran ser reemplazadas en sus husos. Normalmente los técnicos de planta acuden a Epic trayendo consigo cuatro husos para un día de entrenamiento. Los mecánicos siguen a los técnicos de Epic en cada paso de desarmado, inspección con las herramientas y procedimientos correctos. Sus mecánicos luego reconstruyen sus husos bajo la atenta supervisión del técnico de Epic quien observa y comenta la importancia de cada paso. Para cualquier planta que reconstruya sus propios husos, esta instrucción con un experto resulta invaluable. Comentarios de los mecánicos y los ejecutivos de las plantas luego de este entrenamiento son de que el mismo ha reducido fallas prematuras en los husos y el costo de mantenimiento de los husos.

BALANCEO DINAMICO DE LOS CONJUNTOS DE DISCOS: Esto solamente puede ser obtenido en sofisticados equipos de balanceo de doble plano como los equipos computarizados de Epic. Los puntos de balanceo de los conjuntos de discos de Verdol están en el eje (cubo) del conjunto.

INSTRUMENTOS Y HERRAMIENTAS UTILIZADAS PARA LA RECONSTRUCCION DE HUSOS: Para plantas que hacen sus propias reparaciones, Epic ofrece más de 50 instrumentos y equipos especiales para el desarmado, armado y control de la validez de las partes. Es muy recomendado que las plantas que hacen su propio mantenimiento de husos tomen ventaja del programa de entrenamiento de Epic que permite a los mecánicos ver y trabajar con estas herramientas. Ellos pueden luego decidir qué herramientas adicionales requieren para hacer el trabajo en su planta.

Epic products are intended as replacements for worn or damaged parts in OEM products. OEM Part numbers in (parenthesis) indicate either 1) Improved design 2) the part serves the same function as the OEM part, but may differ from the OEM design, or 3) it is a component of an assembly where no OEM reference number is available, or 4) it is a repair service for the referenced OEM part.

EE is an Epic trademark designating Epic parts

Verdol is a trademark of Rieter/ ICBT

© Epic Enterprises, March 2008

Epic Enterprises, Inc., P.O. Box 979, Southern Pines, NC 28388-0979 USA
Telephone Toll Free 800-648-7273 or 910-692-5441 Outside USA
Fax Toll Free 888-692-4147 or 910-692-4147 Outside USA
Website: <http://www.epicenterprises.com> E-Mail: epic@epicenterprises.com





FEATURES:

Eliminates the most frequently replaced spindle parts
 Simpler, lower cost maintenance
 Less downtime = greater productivity
 Conversions can be made on R Spindles
 Conversions can be made one spindle at a time;
 It is not necessary to convert entire side or whole
 frame at the same time

See Page VE05A for further detail.

CARACTERISTICAS

Elimina las piezas de recambio más frecuentes de los husos
Más simple, menor costo de mantenimiento
Menores tiempos perdidos = mayor productividad
Pueden hacerse modificaciones en husos tipo R
Puede modificarse un huso por vez
No se requiere modificar toda la máquina ni todo un lado al mismo tiempo

Ver pág. VE05A para mayor detalle

**EPIMAG SAIII STABILIZATION SYSTEMS
 FOR VERDOL CABLERS WITH 235 MM TWIST DISCS
 SISTEMES DE ESTILIBIDAD, EPIMAG SAIII**

Epic Enterprises, Inc., P.O. Box 979, Southern Pines, NC 28388-0979 USA
 Telephone Toll Free 800-648-7273 or 910-692-5441 Outside USA
 Fax Toll Free 888-692-4147 or 910-692-4147 Outside USA
 Website: <http://www.epicenterprises.com> E-Mail: epic@epicenterprises.com



<i>Position</i>	<i>OEM Ref. Nos.</i>	<i>Epic No.</i>	<i>Description</i>	<i>UOM</i>
VE05-01A	(152389)	EE305508	Spindle, EpiMag SA-III (RM Axle with Hardened Splines) <i>Huso Epimag SA-III (Eje RM con ranuras endurecidas)</i>	EA
VE05-02B	(152389)	EE305506-1	Spindle, Convert Customer R to EpiMag SA-III (RM Axle with Hardened Splines) CALL EPIC FOR PRICING <i>Huso, cambio de huso R del cliente al huso Epimag SA-III (Eje RA con ranuras endurecidas)</i> <i>EPOPEYA DE LA LLAMADA PARA TASAR</i>	EA

GENERAL:

EpiMag SAIII spindle stabilization represents a major breakthrough in Verdol spindle technology in terms of reduced maintenance costs and greater productivity.

The SAIII System works equally well on frames with and without balloon control rings. By adding magnetic stabilization to the pot base, Epic has eliminated 16 of the highest maintenance parts of the R spindle. Only four spindle parts have been added. It is adaptable only to Verdol Twisters using the standard 290H240 Pot (EE303260-1) and 235mm Disc. The conversion of existing spindles may be performed at Epic during normal rebuilding and overhaul. Or, the plant may perform the conversion using the stabilization kit and easy-to-follow instructions.

CONVERSION CAN BE MADE ONE SPINDLE AT A TIME. It is not necessary to convert the whole frame or a side. The SAIII conversion utilizes the RM spindle axle offering improved stability in the upper axle area.

The basic EpiMag spindle design has been in operation for over eight years with whole plant conversions underway.

EPIMAG ELIMINATES THE FOLLOWING HIGH MAINTENANCE PARTS OF THE R SPINDLES:

151729 EE302600 Top Bearing Housing, 581011C EE304460 Lower O-Ring, 151138A EE302480 Dust Cover, 151897 EE302820 Upper Oblique Housing, 569013S EE304120 Upper Oblique Bearing, 569016S EE304140 Lower Oblique Bearing, 151896 EE302800 Lower Oblique Housing, 555048A EE303860 Lock Washer, 520022A EE303720 Oblique Screw, 130002 EE302320 Small Nut, 140002B EE302380 Small Lock Washer, 151380D EE302500 Stabilizer Assembly, 140001B EE302360 Large Lock Washer, 130001 EE302300 Large Nut, 151433 EE302540 Spindle Dust Cover, 119098A EE302120 Seal Washer, 119093D EE302080 Steel Washer for 4200 Bearing.

APLICACIÓN GENERAL

El sistema Epimag SA-III de estabilización de husos representa un hito en la tecnología de husos de Verdol en términos de reducción de costos de mantenimiento e incremento de productividad.

El sistema SA-III funciona similarmente bien en máquinas que disponen o no de anillos antibalón. Al añadir el sistema magnético de estabilización en la base de los botes, Epic ha conseguido eliminar 16 de las partes que

Epic Enterprises, Inc., P.O. Box 979, Southern Pines, NC 28388-0979 USA
Telephone Toll Free 800-648-7273 or 910-692-5441 Outside USA
Fax Toll Free 888-692-4147 or 910-692-4147 Outside USA
Website: <http://www.epicenterprises.com> E-Mail: epic@epicenterprises.com



más mantenimiento requieren en los husos tipo R. Solamente se han añadido 4 piezas. Este puede ser incluido solamente en las torcedoras Verdol equipadas con le bote estándar 290H240 (EE303260-1) con discos de 235 mm. La conversión de los husos puede hacerse en Epic durante la reconstrucción u revisión general de la máquina, o el cliente puede hacer el trabajo en planta usando el equipo de estabilización y siguiendo unas sencillas instrucciones.

LA MODIFICACION PUEDE HACERSE DE UN HUSO POR VEZ. No se requiere modificar toda la máquina o un lado completo. El sistema SA-III utiliza el eje del huso RM proveyendo mayor estabilidad en la parte alta del eje.

El diseño básico del huso Epimag ha estado en operación por más de ocho años, existiendo modificaciones integrales de plantas en proceso.

EPIMAG ELIMINA LA SIGUIENTE LISTA DE PARTES QUE REQUIEREN ALTO MANTENIMINETO DE LOS HUSOS TIPO R:

151729 EE302600 Caja para Rodiamento Superior, 581011C EE304460 Anillo "O" for Rodamiento, 151138A EE302480 Protector de Polvo, 151897 EE302820 Caja Superior de Rodiamento Obliquo, 569013S EE304120 Rodamiento de Bolas 16004C3 para Caja Superior Oblicue, 569016S EE304140 Rodamiento de Bolas 6005C3 para Caja Inferior Oblcuo, 151896 EE302800 Caja Baja de Rodiamento Obliquo, 555048A EE303860 Arandela Dentado External, 5mm, 520022A EE303720 Tornillo Hexagonal, 5X25mm, 130002 EE302320 Tuerca Chica, 140002B EE302380 Arandela Chica de Retencion, 151380D EE302500 Conjunto Completo de Estabilizador, 140001B EE302360 Arandela Grande de Retencion, 130001 EE302300 Tuerca Grande, 151433 EE302540 Protector de Polvo, 119098A EE302120 Arandela Selladura (Espaciador), 119093D EE302080 Arandela de Acero para Rodiamento 4200.

Epic products are intended as replacements for worn or damaged parts in OEM products. OEM Part numbers in (parenthesis) indicate either 1) Improved design 2) the part serves the same function as the OEM part, but may differ from the OEM design, or 3) it is a component of an assembly where no OEM reference number is available, or 4) it is a repair service for the referenced OEM part.

EE is an Epic trademark designating Epic parts

Verdol is a trademark of Rieter/ ICBT

© Epic Enterprises, March 2008

Epic Enterprises, Inc., P.O. Box 979, Southern Pines, NC 28388-0979 USA
Telephone Toll Free 800-648-7273 or 910-692-5441 Outside USA
Fax Toll Free 888-692-4147 or 910-692-4147 Outside USA
Website: <http://www.epicenterprises.com> E-Mail: epic@epicenterprises.com



VE05A-00B (With Anti-Wrap Device)
VE05A-00A (Without Anti-Wrap Device)
Outer Magnetic Stabilization Assembly



VE05A-00C
Inner Magnetic Stabilization Assembly



VE05A-01
Magnet Mounting Cone



VE05-16
Foam Strip for
Magnet Pockets



VE05A-15 Large Rubber
Washer for Base Shell



VE05A-02
Outside Magnet Pocket



VE05A-03
Inside Magnet Pocket



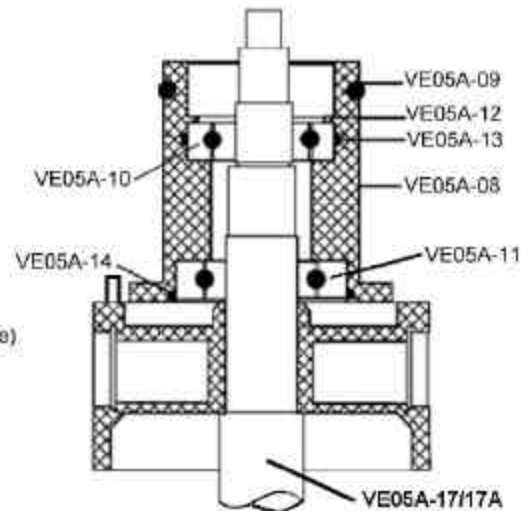
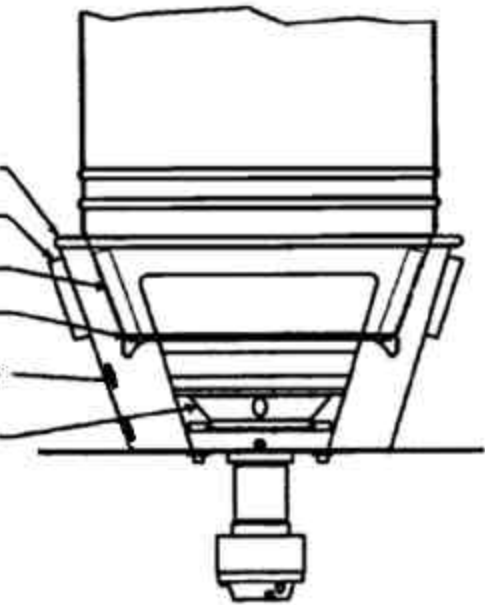
VE05A-05
Magnet



VE05A-04
Base for Inside Magnet Pocket



VE05-06
Anti-Wrap Device
(with Mounting Hardware)



EPIMAG SAIII STABILIZATION SYSTEMS
FOR VERDOL CABLERS WITH 235MM TWIST DISCS
SISTEMES DE ESTILIBIDAD, EPIMAG SAIII

Epic Enterprises, Inc., P.O. Box 979, Southern Pines, NC 28388-0979 USA
Telephone Toll Free 800-648-7273 or 910-692-5441 Outside USA
Fax Toll Free 888-692-4147 or 910-692-4147 Outside USA
Website: <http://www.epicenterprises.com> E-Mail: epic@epicenterprises.com



Position	OEM Ref. Nos.	Epic No.	Description	UOM
VE05A-00	Not Applicable	EE320000	EpiMag Stabilization Kit with Cutter (Complete Inner & Outer) With Anti- Wrap Device <i>Equipo con Dispositivo de Antirollar para Estabilidad</i>	EA
VE05A-00	Not Applicable	EE320000-1	EpiMag Stabilization Kit with Cutter (Complete Inner & Outer) Without Anti- Wrap Device <i>Equipo con Dispositivo de Antirollar para Estabilidad</i>	EA
VE05A-00A	Not Applicable	EE340019	Magnetic Stabilization Assembly, Outer, for EpiMag SAII/SAIII (Without Anti- Wrap Device) <i>Conjunto Externo de Estabilidad Magnetica sin Dispositivo de Antirollar</i>	EA
VE05A-00B	Not Applicable	EE340019-2	Magnetic Stabilization Assembly, Outer, for EpiMag SAII/SAIII (With Anti-Wrap Device) <i>Conjunto Externo de Estabilidad Magnetico para SAII/SAIII con Dispositivo de Antirollar</i>	EA
VE05A-00C	Not Applicable	EE340020	Magnetic Stabilization Assembly, Inner, for EpiMag SAII/SAIII <i>Conjunto de Estabilidad Magnetica, Internal</i>	EA
VE05A-01	Not Applicable	EE340016	Cone, EpiMag Magnet Mounting <i>Cono de Montage para 1 man de Epimag</i>	EA
VE05A-02	Not Applicable	EE340014	Pocket, Outside Magnet, for EpiMag (Without Magnets) <i>Bolsa, Iman Exterior, para EpiMag (sin Imanes)</i>	EA
VE05A-03	Not Applicable	EE340015	Pocket, Inside Magnet, for EpiMag (Without Magnets) <i>Bolsa, Iman Interior, para EpiMag (sin Imanes)</i>	EA
VE05A-04	Not Applicable	EE380018	Base, Inside Magnet Pocket for EpiMag <i>Pieza Inferior y Internal para Montage</i>	EA
VE05A-05	Not Applicable	EE305534	Magnet (For Inner and Outer) <i>Iman, Interno y Externo</i>	EA



VE05A-06	Not Applicable	EE340018	Anti-Wrap Device, S & Z, Heavy Duty for EpiMag <i>Dispositivo S & Z de Antirollar para EpiMag</i>	EA
VE05A-07	Not Applicable	EE340013	Guard, Spindle Yarn Choke, 120MM OD (For Solid Disc Only) <i>Protección anti enredo, 120 mm DE (sólo para disco sólido)</i>	EA
VE05A-08	Not Applicable	EE380047	Housing, Top Bearing, with O-Rings for EpiMag SA-III <i>Caja Sola de Rodamiento Superior con Anillos "O" para EpiMag SA-III</i>	EA
VE05A-09	318598 581013B R24PB701	EE304500	O-Ring, Top Bearing Upper <i>Anillo "O" Superior</i>	EA
VE05A-10	(569082D) 62012ZC3HT51	EE304300-1	Bearing, Ball, with two metal shields, 62012ZC3HT51 SKF <i>Rodamiento de Bolas 62012ZC3HT51 SKF</i>	EA
VE05A-11	569081D	EE304280	Bearing, Ball, 6202ZZ <i>Rodamiento de Bolas 6202ZZ</i>	EA
VE05A-12	558026A	EE334305	Ring, Internal Retaining, 32mm <i>Retenador Internal, 32mm</i>	EA
VE05A-13	Not Applicable	EE435088V	O-Ring 32 X 1.5 <i>Anillo "O", 32 X 1.5</i>	EA
VE05A-14	318603 581188C	EE304530	O-Ring 35 X 1.6 <i>Anillo "O", 35 X 1.6</i>	EA
VE05A-15	119000 96901600	EE302060	Washer, Large Rubber for 400 Base Shell and ICBT Base Shell <i>Arandela Grande de Goma para 400 Buje Bajo y ICBT Buje Bayo</i>	EA
VE05A-16	Not Applicable	EE380029	Foam Piece for Magnet Pocket (Inner and Outer) <i>Pieza de Espuma para Bolsa de Iman</i>	EA
VE05A-17	(152276A00) (152276A01)	EE303220-2	Axle, Spindle, RM with Hardened Splines for EpiMag SAIII <i>Eje para Huso "RM" con Panaras Endurecidas</i>	EA



VE05A-17A	(152276A01) (152276A00)	EE303220-4	Axle, Spindle, RM,with Hardened Splines for Cabling, for EpiMag SAIII <i>Eje para Huso RM, con Panaras Endurecidas, Para Cabledora con EpiMag</i>	EA
-----------	----------------------------	------------	--	----

Epic products are intended as replacements for worn or damaged parts in OEM products. OEM Part numbers in (parenthesis) indicate either 1) Improved design 2) the part serves the same function as the OEM part, but may differ from the OEM design, or 3) it is a component of an assembly where no OEM reference number is available, or 4) it is a repair service for the referenced OEM part.

EE is an Epic trademark designating Epic parts

Verdol is a trademark of Rieter/ ICBT

© Epic Enterprises, March 2008



VE06-01



EE302545
Spindle Dust Ring
*Anillo de Proteccion
 de Polvo para Huso*

VE06-02



EE302540
Spindle Dust Cover
Protector de Polvo

VE06-03



EE302924
**Small Yarn Guard for
 160mm Reserve Disc**
*Anillo Chico de Proteccion
 para Disco Reservo, 160mm*

VE06-04



EE302923
**Large Yarn Guard
 for 200mm Reserve Disc**
*Anillo Largo de Proteccion
 para Disco Reservo, 200mm*

VE06-05



EE340013
**Spindle Yarn Choke
 Guard, 120mm OD**
Protector Antirollar, 120mm OD

VE06-06



EE302546
Spindle Yard Guard
*Anillo de Proteccion de
 Polvo para Huso*

**ANTI-CHOKE DEVICES FOR VERDOL SPINDLES
 DISPOSITIVOS DE ANTIROLLAR PARA HUSOS VERDOL**



Position	OEM Ref. Nos.	Epic No.	Description	UOM
VE06-01	151435	EE302545	Ring, Spindle Dust <i>Anillo de Proteccion de Polvo para Huso</i>	EA
VE06-02	151433	EE302540	Cover, Spindle Dust <i>Protector de Polvo</i>	EA
VE06-03	151931A	EE302924	Guard, Yarn (Small), for 160mm Reserve Disc <i>Anillo de protección pequeño para disco de reserva de 160 mm</i>	EA
VE06-04	151928A01	EE302923	Guard, Yarn (Large), for 200mm Reserve Disc <i>Anillo de protección grande para disco de reserva de 200 mm</i>	EA
VE06-05	Not Applicable	EE340013	Guard, Spindle Yarn Choke, 120MM OD (For Solid Disc Only) <i>Protección anti enredo, 120 mm DE (sólo para disco sólido)</i>	EA
VE06-06	Not Applicable	EE302546	Guard, Spindle Yarn <i>Anillo de Proteccion de Polvo para Huso</i>	EA

STANDARD ANTI-CHOKE DEVICES which are part of the spindle include EE302546 Spindle Dust Ring and EE302540 Spindle Dust Cover. These can be viewed in sections VE01 and VE01A.

YARN GUARDS have been developed to minimize premature failure, spindle maintenance costs and downtime. The effect of all of these devices is to prevent a yarn end from entering the spindle. This is done by restricting access into the spindle by deflecting the yarn outward and downward.

Choice depends on reserve size, spindle type, whether disc is open or closed type, and plant preference based on experience.

For closed reserve disc, use EE302924 or EE302923. Both guards may be used with the standard dust ring and dust cover.

For all size closed reserve discs use EE340013. For open or closed reserve disc use EE302546. The standard dust ring and dust cover are removed when using either of these guards.

APARATOS ESTANDAR ANTI BLOQUEO que son parte de los husos incluyen el anillo removedor de polvo EE 302546 y el cobertor de polvo EE 302540. Estos pueden ser observados en las secciones VE01 y VE01A

Las protecciones de hilo han sido desarrolladas para disminuir fallas prematuras, costos de mantenimiento de los husos y tiempos perdidos. La razón de todos estos aparatos es evitar el ingreso del hilo al huso. Esto se alcanza al eliminar el acceso del hilo al huso por medio de reorientar el hilo hacia fuera y hacia abajo.

Las alternativas dependen del tamaño de la reserva, del tipo de huso, de si los discos son abiertos o cerrados y el desempeño en planta en base a la experiencia.

Epic Enterprises, Inc., P.O. Box 979, Southern Pines, NC 28388-0979 USA
Telephone Toll Free 800-648-7273 or 910-692-5441 Outside USA
Fax Toll Free 888-692-4147 or 910-692-4147 Outside USA
Website: <http://www.epicenterprises.com> E-Mail: epic@epicenterprises.com



Para discos de reserva cerrados, usar las partes EE 302924 o EE 302923. Las dos partes pueden ser utilizadas con el anillo removedor de polvo y el cobertor de polvo estándar.

Para todos los tamaños de discos de reserva cerrados usar la parte EE 340013. Para discos de reserva abiertos o cerrados utilizar la parte EE302546. Los anillos removedor de polvo y cobertor de polvo son eliminados al utilizar cualquiera de esas protecciones.

Epic products are intended as replacements for worn or damaged parts in OEM products. OEM Part numbers in (parenthesis) indicate either 1) Improved design 2) the part serves the same function as the OEM part, but may differ from the OEM design, or 3) it is a component of an assembly where no OEM reference number is available, or 4) it is a repair service for the referenced OEM part.

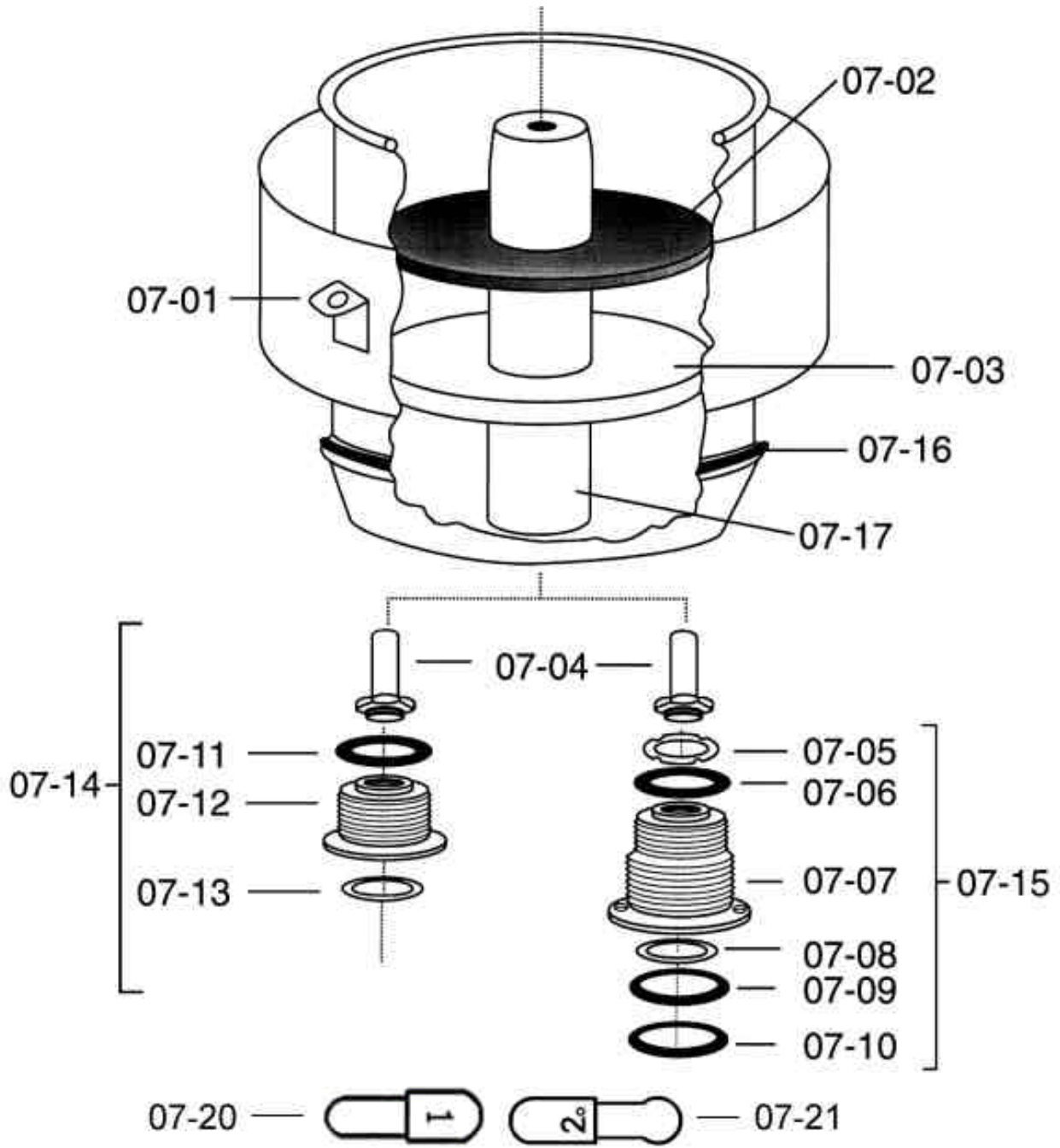
EE is an Epic trademark designating Epic parts

Verdol is a trademark of Rieter/ ICBT

© Epic Enterprises, March 2008

Epic Enterprises, Inc., P.O. Box 979, Southern Pines, NC 28388-0979 USA
Telephone Toll Free 800-648-7273 or 910-692-5441 Outside USA
Fax Toll Free 888-692-4147 or 910-692-4147 Outside USA
Website: <http://www.epicenterprises.com> E-Mail: epic@epicenterprises.com





Tension Capsules for Verdol & ICBT
 Capsulas de Tension para Verdol y ICBT

VERDOL POTS, POT COMPONENTS, POT REPAIR,
 BALLOON CONTROL RING REPAIR AND TENSION CAPSULES FOR VERDOL & ICBT
BOTES, PARTES PARA BOTES, REPARACION DE BOTE, ANTIBALONES



Position	OEM Ref. Nos.	Epic No.	Description	UOM
VE07-01	(211386)	EE305051	Ring, Balloon Control, Repaired (2 Brackets) <i>Reparar de Anillo de sujetorde Balon, 2 Cartelas</i>	EA
VE07-01	(211386)	EE305050	Ring, Balloon Control, Repaired (1 Bracket) <i>Reparar Anillo de sujetor de Balon 1 Cartelar</i>	EA
VE07-02	206810	EE303440	Pad, Felt, Unlined, 290mm OD X 68mm ID X 7mm Thick, Gray (11 2/5" X 2 17/25" X 7/25") <i>Cojincilla Superior de Fielre para Bote, 290mm OD X 68mm ID X 7mm Espeso (11 2/5" X 2 17/25" X 7/25") , Gris</i>	EA
VE07-03	119152	EE302180	Pad, Foam, Unlined, 237mm OD X 68mm ID X 40mm Thick, White, (9 1/3" X 2 17/25" X 1 9/16") <i>Cojincillo de Espuma para Bote, 237mm OD X 68mm ID X 40mm Espeso (9 1/3" X 2 17/25" X 1 9/16"), Blanco</i>	EA
VE07-03A	Not Applicable	EE302190	Pad, Foam, Lined, 237mm OD X 67.75mm ID X 51mm Thick, Gray (9 1/3" X 2 33/50" X 2") <i>Cojin Rayado de Espuma, 237mm OD X 67.75mm ID X 51mm Espeso (9 1/3" X 2 33/50" X 2"), Gris</i>	EA
VE07-04	151255G 151780	EE302680	Extension, Base Shell, for 400, 450, 500 & 600 <i>Extension de Buje Bajo para 400, 450, 500 y 600</i>	EA
VE07-05	(206071)	EE303433	Washer, Large Rubber, for 450 Base Shell <i>Arandela Grande de Goma para Buje Inferior, 450</i>	EA
VE07-06	(206071)	EE303433	Washer, Large Rubber, for 450 Base Shell <i>Arandela Grande de Goma para Buje Inferior, 450</i>	EA



VE07-07	(206071)	EE303431	Base Shell Only, Aluminum, for Model 450 <i>Buje Inferior do Aluminio, 450</i>	EA
VE07-08	(206071)	EE303432	Washer, Small Urethane, for 450 Base Shell <i>Arandela Chica de Urea para Buje Inferior 450</i>	EA
VE07-09	(318625) (206071)	EE303435	O-Ring, Small, Internal, for 450 Base Shell and ICBT Base Shell <i>Anillo "O" Chico Internal para Buje Inferior, 450 y ICBT Buje Interior</i>	EA
VE07-10	(206071)	EE303434	O-Ring, Large, Internal, for 450 Base Shell <i>Anillo "O" Grande Internal para Buje Inferior, 450</i>	EA
VE07-11	119000 96901600	EE302060	Washer, Large Rubber for 400 Base Shell and ICBT Base Shell <i>Arandela Grande de Goma para 400 Buje Bajo y ICBT Buje Bayo</i>	EA
VE07-12	206041A0	EE303420	Base Shell, Aluminum, for Model 400, 500, 600 <i>Buje Inferior de Aluminio, 400, 500, 600</i>	EA
VE07-13	119203	EE302200	Washer, Small Rubber for 400 Base Shell <i>Arandela Chica de Goma para Buje Bajo 400</i>	EA
VE07-14	206033A	EE303400	Base Shell Assembly, Aluminum, for 400, 500, 600 <i>Conjunto de Buje Inferior de Aluminio, 400, 500, 600</i>	EA
VE07-15	206071B02	EE303430	Base Shell Assembly, Aluminum, for 450 <i>Conjunto de Buje Inferior de Aluminio, 450</i>	EA
VE07-16	202162B01	EE380017	Device, Balloon Deflection <i>Dispositivo de Deflexion de Balon</i>	EA
VE07-17	206728	EE380023-1	Tube, Wood Centering for Pot, with Set Screw <i>Tube, madera que se centra para el pote, con el tornillo de presión</i>	EA



VE07-18	(202014A00)	EE303260-1	Pot, Stainless, 290H240, with Double Lock (See EE340000 for repair) <i>Bote de Acero Inoxidable, 290H240</i>	EA
VE07-18A	(202014A00)	EE340000	Pot, Stainless (290H240) Repaired with Double Lock <i>Reparar Bote (290H240) de Axero Inoxidable con Rizos Dobles</i>	EA
VE07-18A	Not Applicable	EE303260-2	Pot, Stainless Side, 290H240, for 450 (2.062" Hole) <i>Bote de Acero Inoxidable, 290H240, para 450 (2.062" Hoyos)</i>	EA
VE07-18A	(202014A00)	EE340065	Pot, Stainless (290H240) Repaired with Double Lock, Exchange <i>Reparar Bote (290H240) de Axero Inoxidable con Rizos Dobles, para Cambio</i>	EA
VE07-18B	(202126A01)	EE303340-1	Pot, Stainless, 290H300, with Double Lock <i>Bote de Acero Inoxidable, 400, 290H300</i>	EA
VE07-18C	(202126A01)	EE303360-1	Pot, Stainless, with Double Lock, Repair of 400 290H300 <i>Reparar Bote de Acero Inoxidable, 400,290H300</i>	EA
VE07-18D	202111A01	EE303300	Pot, Stainless, 450, 290H310N <i>Bote de Acero Inoxidable, 450,290H310N</i>	EA
VE07-18E	202111A01	EE303320	Pot,Stainless Reduction, 450, Repair, (290H310N) <i>Reparar Bote de Acero Inoxidable, 450, 290H310</i>	EA
VE07-18G	(202068B00)	EE340010	Pot, Stainless (500 Gauge) Repaired with Double Lock <i>Reparar Bote (500) de Acero Inoxidable</i>	EA
VE07-19	Not applicable	A-18328	Pads, EpiBrite for removing scratches on pots and balloon rings (100 pads/case) <i>Epi-Brite Cojincillos para Eliminacionde Aranazos en Botes y Anti-Balones</i>	EA
VE07-20	021440048 207366B00	EE309072	Capsule, Tension #1 for Verdol <i>Capsula de Tension #1 para Verdol</i>	EA
VE07-20A	92003900	EE309072-0	Capsule, Tension #0 for Verdol <i>Capsula de Tension #0 para Verdol</i>	EA



VE07-20B	Not Applicable	EE309072-00	Capsule, Tension #00 for Verdol <i>Capsula de Tension #00 para Verdol</i>	EA
VE07-21	(X92014701) (92014701)	EE309095A	Capsule, Tension, #3, Bulb Type for ICBT <i>Cápsula, tensión, tipo del bulbo, #3 para la máquina de ICBT</i>	EA
VE07-21	92025800 92014701	EE309095	Capsule, Tension, #2, Bulb Type for ICBT <i>Capsula de Tension #2 para ICBT</i>	EA
VE07-22	021085001 119295B00	EE380146-1	Plate, Magnet, 48mm I.D., with Two Magnets for Verdol 400 Pot Base, R to RM Conversion and ICBT <i>Placa con 2 Imanes para Bote, Verdol 400 R to RM Conversion, 48mm y ICBT</i>	EA
VE07-23	119395C00	EE380146	Plate, Magnet, 52mm ID with two Magnets for Verdol 450 (Not Shown) <i>Placa con Dos Imanes para Bote, 52mm ID, 450 Verdol (No Ilustrado)</i>	EA
VE07-24NS	Not Applicable	EE380086	Base Shell Extension <i>Extensión baja de la cáscara</i>	EA

All Epic New Pots have sturdy stainless sides and a reinforced aluminum base, which is double locked to add extra strength.

Epic Pot Repair is done at a fraction of the cost of a new pot. Epic replaces all light gauge OEM pot bases with an Epic reinforced pot base. The stainless sides are double-locked onto the base.

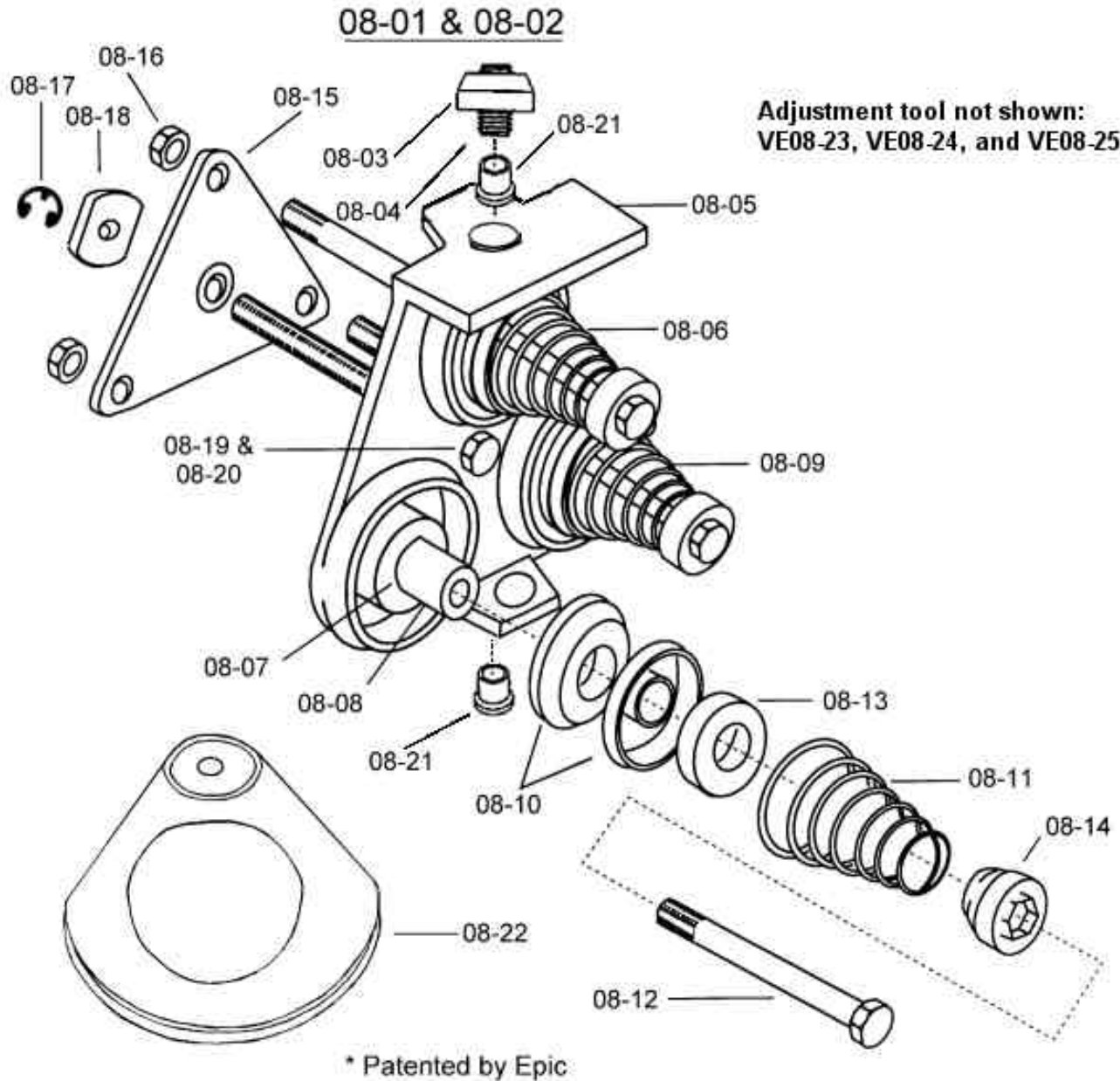
Epic products are intended as replacements for worn or damaged parts in OEM products. OEM Part numbers in (parenthesis) indicate either 1) Improved design 2) the part serves the same function as the OEM part, but may differ from the OEM design, or 3) it is a component of an assembly where no OEM reference number is available, or 4) it is a repair service for the referenced OEM part.

EE is an Epic trademark designating Epic parts

Verdol is a trademark of Rieter/ ICBT

© Epic Enterprises, March 2008





**UNITENSORS* FOR VERDOL AND ICBT CABLERS
STAINLESS STEEL POT LID FOR 290MM POT
CAPERUZA DE CABLEDORA Y UNITENSORS***

Epic Enterprises, Inc., P.O. Box 979, Southern Pines, NC 28388-0979 USA
 Telephone Toll Free 800-648-7273 or 910-692-5441 Outside USA
 Fax Toll Free 888-692-4147 or 910-692-4147 Outside USA
 Website: <http://www.epicenterprises.com> E-Mail: epic@epicenterprises.com



Position	OEM Ref. Nos.	Epic No.	Description	UOM
VE08-01	(207329)	EE440095-2	UniTensor™, Verdol Mount, Chrome Discs (Aluminum Bracket) <i>UniTensor con Discos Cromos</i>	EA
VE08-02	(207329)	EE440095-3	UniTensor™, Verdol Mount, Ceramic Discs (Aluminum Bracket) <i>UniTensor con Discos Ceramica</i>	EA
VE08-03	(207329)	EE440095-5	UniTensor™, Verdol Mount, Chrome Discs, Extended Bottom Eye (Aluminum Bracket) <i>UniTensor con Fondo Extendido y con Discos Cromos</i>	EA
VE08-03	130056B	EE380050	Nut, Aluminum Fastening, for Cabler Cap Tension Device <i>Tuerca de Aluminio para Dispositivo de Tensor para Tapa Cabledora</i>	EA
VE08-04	(214631)	EE380049	Stud, Brass Threaded for Cabler Cap Tension Device <i>Esparrago de Laton para Dispositivo de Tensor de Tapa Cabled ora</i>	EA
VE08-05	(207330)	EE480425-1	Bracket, Main, with Guide Bushing for UniTensor (3-Post) <i>Cartela Primera con Bujede Guia</i>	EA
VE08-06	Not Applicable	EE401858V	Spring, Tension (Yellow) <i>Resorte Amarillo</i>	EA
VE08-07	119094	EE302100	Washer, Rubber <i>Arandela de Goma para Discos Ceramicos De Tension</i>	EA
VE08-07	Not Applicable	EE480143V	Ring (Spacer), Distance for Cabler Cap Tension Device <i>Espaciador para Tensor de Caperuza Cabledorar</i>	EA
VE08-08	Not Applicable	EE401981V	Post, Flanged Ceramic Guide, for Centering Post and for Extended Bottom of Unitensor <i>Buje Ceramico de Unitensor con Brida para Poste Centraje y para Fondo Extendido</i>	EA
VE08-09	Not Applicable	EE401859V	Spring, Tension, (Black) <i>Resorte Negro de Tensor</i>	EA



VE08-10	Not Applicable	EE401620V	Disc, Chrome Tension, for Cabler Cap and Brake <i>Disco Cromo de Tension para Caperuza Cabledora y Freno</i>	EA
VE08-10	Not Applicable	EE401661V	Disc, Ceramic, for Cabler Cap and Brake <i>Disco Ceramico de Tension</i>	EA
VE08-11	Not Applicable	EE401860V	Spring, Tension , (Silver) <i>Resorte de Tension, Plata, para Tensor en Caperuza Cabledora</i>	EA
VE08-12	Not Applicable	EE437316V	Screw, Hex Head Cap 5X80 <i>Tornillo de Maquina con Cabeza Hexagonal, 5X80</i>	EA
VE08-13	Not Applicable	EE480016V	Washer, Foam Rubber, for Cabler Cap Tension Device <i>Arandela, espuma /goma, para cableadora con dispositivo de tensión de copa</i>	EA
VE08-14	Not Applicable	EE401874V	Bushing, Clear Urethane, for Cabler Cap Tension Device <i>Buje, uretano transparente, para cableadora con dispositivo de tensión de copa</i>	EA
VE08-15	Not Applicable	EE480247V	Back Plate Assembly for UniTensor <i>Conjunto de Placa Trasera para UniTensor</i>	EA
VE08-16	Not Applicable	A-18436V	Lock Nut, Nylon Insert, Z/P, 5mm <i>Contratuerca, con inserto de nylon, Z/P, 5mm</i>	EA
VE08-17	Not Applicable	EE434402V	Circlip, External, 4mm <i>Anillo "E" de Retencion, 4mm</i>	EA
VE08-18	Not Applicable	EE480424V	Insert, Nylon Locking, for UniTensor <i>Inserto Cierre de Nylon para UniTensor</i>	EA
VE08-19	Not Applicable	EE481535V	Stud, UniTensor Adjusting, for Clear OEM Cabler Cap <i>Perno de Ajuste para UniTensor para Clara Caperuza Cabledora</i>	EA
VE08-20	Not Applicable	EE432000V	Washer, Spring Wave, 6mm <i>Arandela de Resorte, 6mm</i>	EA
VE08-21	588034A	EE304580	Eyelet, Small Ceramic <i>Ojo Ceramico Chico</i>	EA



VE08-21A	Not Applicable	EE401981V	Post, Flanged Ceramic Guide, for Centering Post and for Extended Bottom of Unitensor <i>Buje Ceramico de Unitensor con Brida para Poste Centraje y para Fondo Extendido</i>	EA
VE08-22	202845A01 96301800	EE340024	Pot Lid, Stainless Steel, for 290mm Pot <i>Tapa del bote, en acero inoxidable para bote de 290 mm</i>	EA
VE08-23	Not Applicable	EE480436V	Wrench, Manual Nut Driver, for UniTensor <i>Instrumento Manual para Ajuste de UniTensor</i>	EA
VE08-24	(170209) (153114) (121442)	EE480437V	Tool, UniTensor, for Electric Drill <i>Instrumento para Taladro Electrico para Ajuste de UniTensor</i>	EA

The UniTensor is primarily intended for use where yarn styles are changed fairly frequently. Standard 3-post cabler cap tension devices can be used where less frequent yarn style changes are made. See page 08A for the standard 3-post cabler cap tension device.

PROBLEM: When changing yarns using the standard cabler cap tension device, normal practice is to adjust the three tension posts individually, check the resultant tension level with a tensiometer, and then repeat this operation until the desired tension is found. This time-consuming and wasteful operation has to be repeated on every frame position. Further, while a tension device on one position may provide the required tension that is equal to a neighboring position, the manner in which the tension is applied at each post may be completely different. From a practical standpoint, individual tension posts are often unevenly set thus compromising quality. The purpose of having different and increasing spring tensions is defeated. Therefore, it is possible to have a cabling system that gives the appearance of conforming but which may produce cabled yarn at different qualities because of this difference in tension application. Excessive tension may be placed on yarn at any given post, possibly causing yarn bunching, filament separation or broken filaments. Also, this method of adjustment may cause discs to rotate, creating broken filaments which become entrapped in the device necessitating additional labor in device cleaning.

SOLUTION: When changing yarns using Epic's new UniTensor™, all three tension posts are reset equally and evenly. Settings for the whole frame are done rapidly with reduced yarn waste and almost no contamination of the tension device. Yarn bunching, broken filaments and filament separation are virtually eliminated by the UniTensor™. Progressive spring value is maintained.

Adjustment of the UniTensor™ is easily done at one position on the frame with the color-coded Manual Nut Driver Wrench, EE480436 and the use of a tensiometer. Once the correct tension is determined on this position, the rear part of the handle of the Manual Nut Driver Wrench may be removed. The tool can then be used in a 3/8" or 8mm (or larger) electric drill with reversing capability. An alternative to the electric drill is the Manual Speed Adjusting Tool (EE480432). These color-coded tools permit all other positions on the frame to be rapidly and evenly adjusted to the same color-coded tension setting. All tools use the same color-coding so the setting from each tool is identical.

The color-coded tools permit standardization of tension settings for a specific yarn. For example, a specific,

Epic Enterprises, Inc., P.O. Box 979, Southern Pines, NC 28388-0979 USA
Telephone Toll Free 800-648-7273 or 910-692-5441 Outside USA
Fax Toll Free 888-692-4147 or 910-692-4147 Outside USA
Website: <http://www.epicenterprises.com> E-Mail: epic@epicenterprises.com



desired tensiometer reading for a given yarn may correspond to the yellow band. This means that all settings for running that yarn should be set to "yellow". The tools can also be used as a gauge to quickly ascertain that each position is at the proper setting. This color coding is a reference only. Actual yarn tensions should be confirmed by tensiometer checks.

El sistema UniTensor es utilizado para instalaciones que tienen cambio frecuentes de tipos de hilados. Dispositivos estándar de tensión de copa de 3 postes pueden utilizarse cuando el cambio de hilados es menos frecuente. Ver pag. 08 A para el dispositivo estándar de tensión de copa de 3 postes.

PROBLEMA: cuando se cambia el tipo de hilados en cableadoras con dispositivo de tensión de copa, la práctica normal es ajustar los tres postes individualmente, controlar la tensión resultante con el tensiómetro, y luego repetir este procedimiento hasta alcanzar la tensión buscada. Esta operación engorrosa debe repetirse en cada posición de la máquina. Más aun, aunque la tensión resultante indicada en una posición puede ser similar a aquella de la posición contigua, la forma cómo se aplica esta tensión puede ser totalmente diferente. Desde una perspectiva práctica, los postes de tensión individuales con frecuencia están calibrados en forma diferente, comprometiendo la calidad. La razón para tener resortes con tensión variable es así ensombrecida, por lo que se puede tener una máquina que en teoría esté bien calibrada pero en la práctica esté produciendo hilo cableado de calidad variable debido a la aplicación irregular de tensión. Una tensión excesiva puede estarse aplicando en un poste posiblemente causando engrosamiento del hilado, separación de filamentos o rotura de los mismos. Adicionalmente, este método de ajuste puede ocasionar el giro de los discos generando fibras rotas que se quedan atrapadas in el dispositivo exigiendo mayor tiempo de mantenimiento.

SOLUCION: Cuando se cambian los hilados con el sistema UniTension de Epic, los tres postes de tensión son reajustados de manera nivelada. El ajuste de toda la máquina se hace rápidamente con menor pérdida de hilado y menor contaminación del dispositivo de tensión. Engrosamiento de hilados y separación de filamentos son virtualmente eliminados por el UniTensor. La ventaja del resorte de tensión variable se mantiene.

El ajuste del UniTension es fácilmente realizado en una posición de la máquina con la llave de tuercas manual con código de color (EE 480436) y con la ayuda de un tensiómetro. Una vez que la tensión correcta se ha alcanzado, la parte posterior de la manilla de la llave de tercas manual puede ser removida; la herramienta puede ser luego utilizada en un taladro reversible de 3/8 o 8 mm. Una alternativa para la herramienta eléctrica es la herramienta manual de ajuste de la velocidad (EE 480432). Esta herramienta con código de color permite un rápido y correcto ajuste del resto de posiciones en la máquina. Todas las herramientas utilizan el mismo código de color por lo que su ajuste es exacto.

Las herramientas con código de color permiten la estandarización de los ajustes para cada tipo de hilado. Por ejemplo, una lectura específica del tensiómetro puede corresponder a la banda de color amarillo, esto significa que todos los ajustes para producir ese tipo de hilo deben estar en amarillo. Las herramientas también sirven para comprobar que todas las posiciones estén debidamente calibradas. Los códigos de color sirven solamente de referencia; los valores reales deberán determinarse a través del tensiómetro.

Epic products are intended as replacements for worn or damaged parts in OEM products. OEM Part numbers in (parenthesis) indicate either 1) Improved design 2) the part serves the same function as the OEM part, but may differ from the OEM design, or 3) it is a component of an assembly where no OEM reference number is available, or 4) it is a repair service for the referenced OEM part.

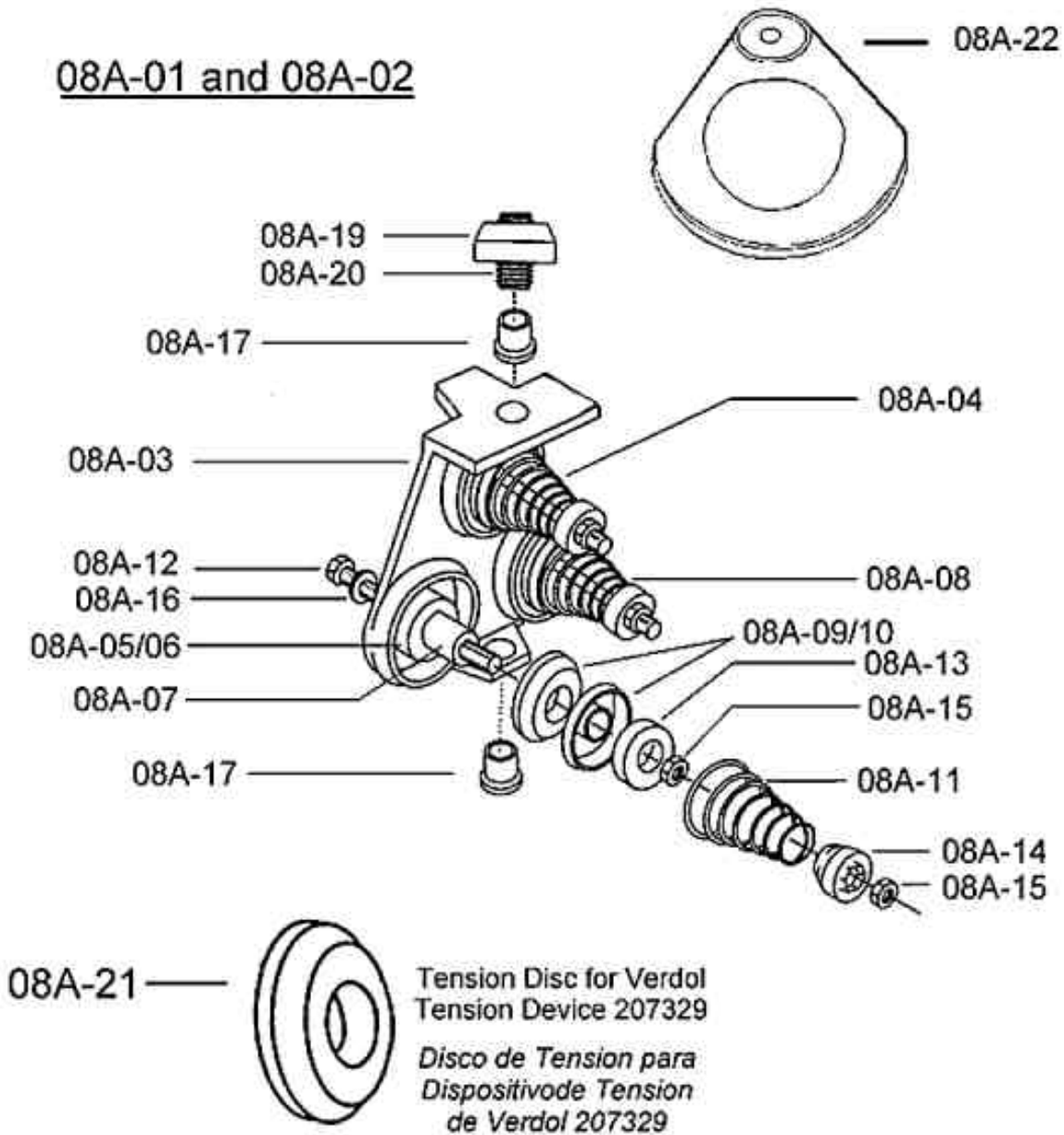
EE is an Epic trademark designating Epic parts

Verdol is a trademark of Rieter/ ICBT

© Epic Enterprises, March 2008

Epic Enterprises, Inc., P.O. Box 979, Southern Pines, NC 28388-0979 USA
Telephone Toll Free 800-648-7273 or 910-692-5441 Outside USA
Fax Toll Free 888-692-4147 or 910-692-4147 Outside USA
Website: <http://www.epicenterprises.com> E-Mail: epic@epicenterprises.com





EPIC CABLING CAP & STANDARD CABLING CAP TENSION DEVICE
FOR VERDOL & ICBT

CAPERZUA DE CABLEDORA Y TENSOR NORMO PARA

Epic Enterprises, Inc., P.O. Box 979, Southern Pines, NC 28388-0979 USA
Telephone Toll Free 800-648-7273 or 910-692-5441 Outside USA
Fax Toll Free 888-692-4147 or 910-692-4147 Outside USA
Website: <http://www.epicenterprises.com> E-Mail: epic@epicenterprises.com



Position	OEM Ref. Nos.	Epic No.	Description	UOM
VE08A-01	(207329A01)	EE309048	Tension Device, Standard Cabler Cap, for Verdol with Chrome Discs (Aluminum Bracket) <i>Dispositivo Normo de Tensor para Tapa Cabledora con discos cromos</i>	EA
VE08A-02	(207329A01)	EE309048-1	Tension Device, Standard Cabler Cap, for Verdol with Ceramic Discs (Aluminum Bracket) <i>Dispositivo normo de Tensor para Tupa Cabledora con discos Ceramicos</i>	EA
VE08A-03	Not Applicable	EE440047-2	Bracket, Standard Cabler Cap Tension Device, 3-Post <i>Cortela para Dispositivo de Tensor para Tapa Cobledora</i>	EA
VE08A-04	Not Applicable	EE401858V	Spring, Tension (Yellow) <i>Resorte Amarillo</i>	EA
VE08A-05	Not Applicable	EE480143V	Ring (Spacer), Distance for Cabler Cap Tension Device <i>Espaciador para Tensor de Caperuza Cabledorar</i>	EA
VE08A-06	119094	EE302100	Washer, Rubber <i>Arandela de Goma para Discos Ceramicos De Tension</i>	EA
VE08A-07	Not Applicable	EE401924V	Ceramic, Post/Tube, Pink <i>Tube de Ceramica, Rosa, para Tensor en Caperuza Cabledora, 05C</i>	EA
VE08A-08	Not Applicable	EE401859V	Spring, Tension, (Black) <i>Resorte Negro de Tensor</i>	EA
VE08A-09	Not Applicable	EE401620V	Disc, Chrome Tension, for Cabler Cap and Brake <i>Disco Cromo de Tension para Caperuza Cabledora y Freno</i>	EA
VE08A-10	Not Applicable	EE401661V	Disc, Ceramic, for Cabler Cap and Brake <i>Disco Ceramico de Tension</i>	EA
VE08A-11	Not Applicable	EE401860V	Spring, Tension , (Silver) <i>Resorte de Tension, Plata, para Tensor en Caperuza Cabledora</i>	EA



VE08A-12	Not Applicable	EE430507V	Screw, Hex Head Cap 5X70 <i>Tornillo de Maquina con Cabeza Hexagonal, 5X70</i>	EA
VE08A-13	Not Applicable	EE480016V	Washer, Foam Rubber, for Cabler Cap Tension Device <i>Arandela, espuma /goma, para cableadora con dispositivo de tensión de copa</i>	EA
VE08A-14	Not Applicable	EE401874V	Bushing, Clear Urethane, for Cabler Cap Tension Device <i>Buje, uretano transparente, para cableadora con dispositivo de tensión de copa</i>	EA
VE08A-15	Not Applicable	EE433502V	Nut, Nylon Insert Lock, 5mm <i>Tuerca De Seguridad con Inserto de Nylon, 5mm</i>	EA
VE08A-16	Not Applicable	EE401877V	Washer, Regular Flat, 5mm <i>Arandela Regular Plana, 5mm</i>	EA
VE08A-17	588034A	EE304580	Eyelet, Small Ceramic <i>Ojo Ceramico Chico</i>	EA
VE08A-19	130056B	EE380050	Nut, Aluminum Fastening, for Cabler Cap Tension Device <i>Tuerca de Aluminio para Dipositivo de Tensor para Tapa Cabledora</i>	EA
VE08A-20	(214631)	EE380049	Stud, Brass Threaded for Cabler Cap Tension Device <i>Esparrago de Laton para Dispositivo de Tensor de Tapa Cabled ora</i>	EA
VE08A-21	588017A	EE380149	Disc, Tension, for Verdol Cabler Cap Tension Device <i>Disco Ondoso de Tension, para Dispositivo de Tension en Caperuza Verdol</i>	EA
VE08A-22	202845A01 96301800	EE340024	Pot Lid, Stainless Steel, for 290mm Pot <i>Tapa del bote, en acero inoxidable para bote de 290 mm</i>	EA

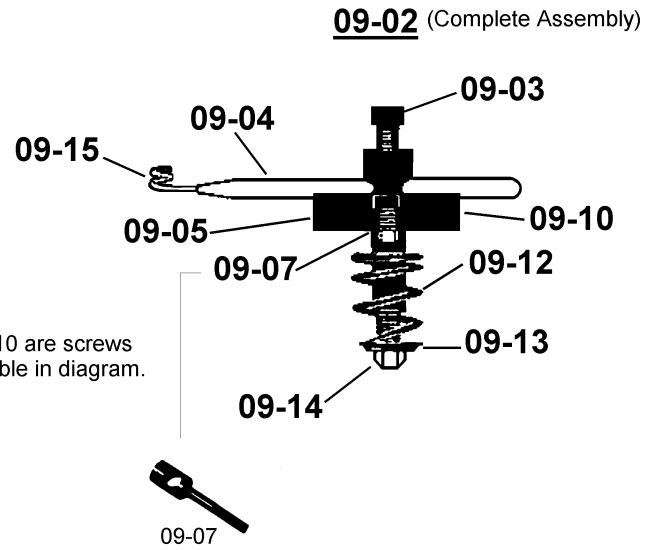
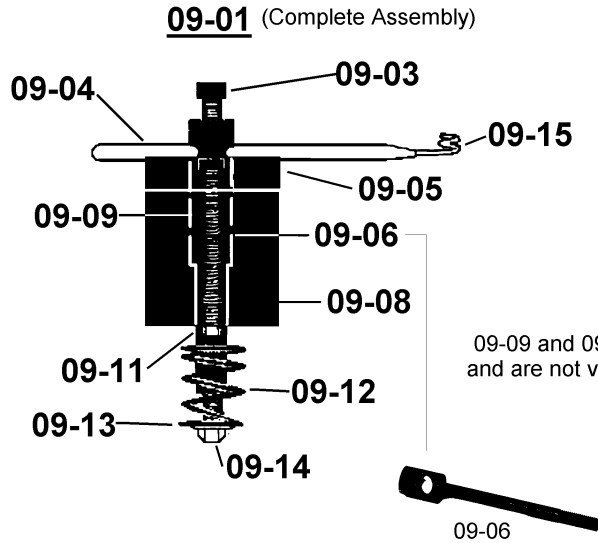
Epic products are intended as replacements for worn or damaged parts in OEM products. OEM Part numbers in (parenthesis) indicate either 1) Improved design 2) the part serves the same function as the OEM part, but may differ from the OEM design, or 3) it is a component of an assembly where no OEM reference number is available, or 4) it is a repair service for the referenced OEM part.

EE is an Epic trademark designating Epic parts

Verdol is a trademark of Rieter/ ICBT

© Epic Enterprises, March 2008





09-09 and 09-10 are screws and are not visible in diagram.

09-01
 For 400, 500 & 600 Verdols
 without Adjustable Rails
*Para Verdols 400, 500 y 600
 sin Rieles Arreglables*

09-02
 For 400, 450, 500 & 600 Verdols
 with Adjustable Rails
*Para Verdols 400, 450, 500 y 600
 con Rieles Arreglables*

**BALLOON CENTERING GUIDES (PIGTAILS) FOR VERDOL
 GUIAHILOS DE COLA DE PUERCO PARA VERDOL**



Position	OEM Ref. Nos.	Epic No.	Description	UOM
VE09-01	213245	EE303615	Balloon Centering Guide with Spacer and Pigtail <i>Conjunto de Guía Completa con Espaciador y Cola de Puerco</i>	EA
VE09-02	160801	EE303614	Balloon Centering Guide Complete with Pigtail, 450 <i>Conjunto de Guía Completa con Cola de Puerco, 450</i>	EA
VE09-03	524514	EE303613	Screw, Socket Head Cap, 6X16 <i>Tornillo Cilindrico, 6X16</i>	EA
VE09-04	204227	EE303370	Balloon Centering Guide Pigtail Assembly <i>Conjunto de Cola Cromada de Puerco</i>	EA
VE09-05	216318 92500400	EE303612	Plate, Centering Guide Fitting <i>Placa para Centrajea de Cola de Puerco</i>	EA
VE09-06	(216316)	EE303611	Stud, Long Guide Holder for EE303615 <i>Clavija Chica para Cogger de Guía EE303615</i>	EA
VE09-07	216316 92500500	EE303610	Stud, Short Guide Holder for EE303614 <i>Clavija Chica para Cogger de Guía EE303614</i>	EA
VE09-08	(213245)	EE304682	Spacer for Long Guide Holder Stud EE303615 <i>Espacio para Esparrago de Guía Larga EE303615</i>	EA
VE09-09	524524B HICM6X75	EE330234	Screw, Socket Head Cap, 6 X 75 <i>Tornillo Cilindrico, 6 x 75</i>	EA
VE09-10	524515 HICM6X20	EE303609	Screw, Socket Head Cap, 6X20 <i>Tornillo Cilindrico, 6X20</i>	EA
VE09-11	549509 HUM6	EE303790	Lock Nut, Nylon Insert, 6mm <i>Contratuerca, 6mm</i>	EA
VE09-12	(117143A00) 117068 92501003 X92501003	EE302040	Spring, Spindle for R, U, & G Spindle (also used for Balloon Centering Guide) <i>Resorte para Husos R, U & G y Guía de Balon</i>	EA
VE09-13	22513401 555024A	EE431602V	Washer, Regular Flat, 8mm <i>Arandela Regular Plana, 8mm</i>	EA



VE09-13	(22513001) (555024A)	A-18356	Washer, Regular Flat 3/8", Plated <i>Arandela Plana, 3/8"</i>	EA
VE09-14	580050A	EE304450	Lock Nut, Nylon Insert Hex, 8mm <i>Contratuerca, 8mm</i>	EA

PROBLEM: Model 400, 500 & 600 Verdol cabling were equipped with a circular balloon centering guide (213245) which required two hands to thread. The pivoting action of the yarn guide also tends to wear into the supporting rail so that the guide often does not return to a centered position. When the guide is not centered over the pot, yarn tension may vary.

SOLUTION: Epic's EE303615 Balloon Centering Guide for 400, 500 & 600 machines without adjustable rails uses a sturdy chrome pigtail to allow fast and easy threading of the guide with one hand. The new guide attaches to the centering eye rail by drilling two 6mm holes in the rail. The Epic guide can be mounted on a severely worn rail. The positive seating action of the Epic guide always returns the pigtail to the desired center position. Rail wear is no longer a factor.

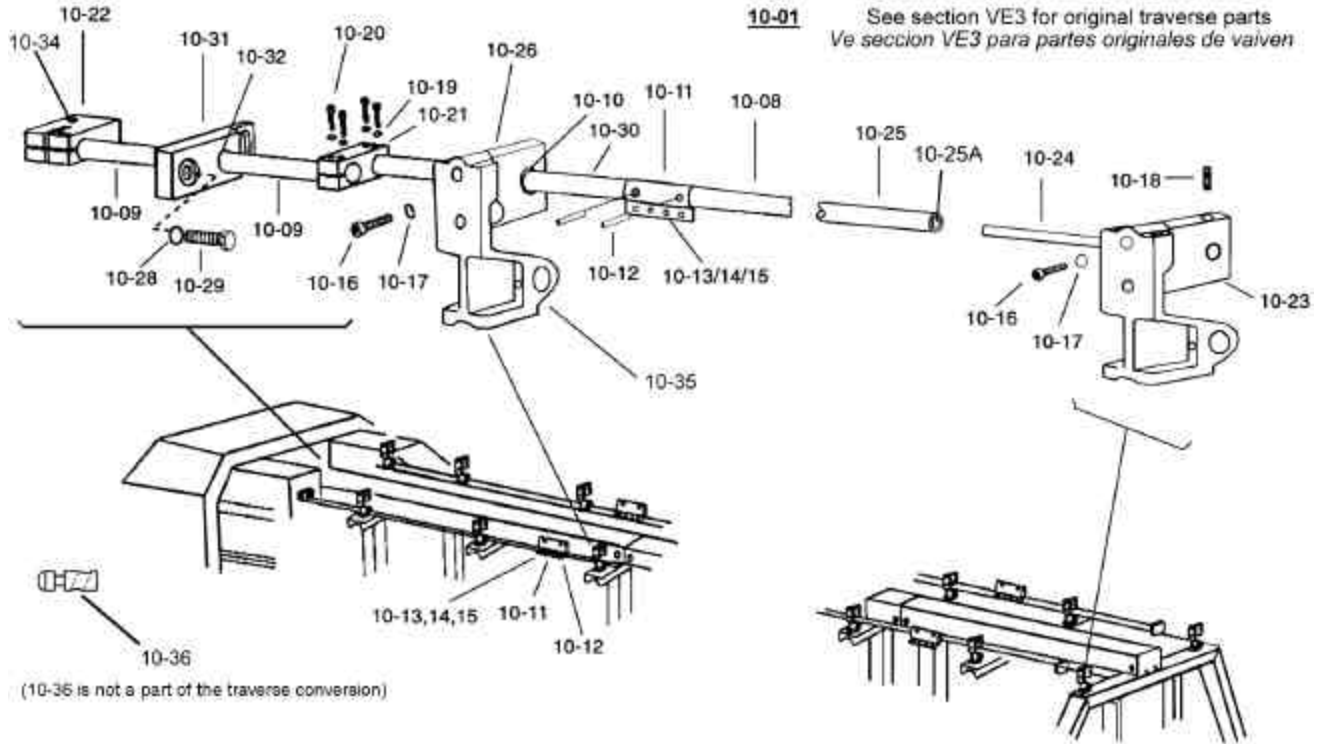
Epic products are intended as replacements for worn or damaged parts in OEM products. OEM Part numbers in (parenthesis) indicate either 1) Improved design 2) the part serves the same function as the OEM part, but may differ from the OEM design, or 3) it is a component of an assembly where no OEM reference number is available, or 4) it is a repair service for the referenced OEM part.

EE is an Epic trademark designating Epic parts

Verdol is a trademark of Rieter/ ICBT

© Epic Enterprises, March 2008





EPIC CONVERSION OF VERDOL TRAVERSE SYSTEM
TO SIMPLIFIED, LOW MAINTENANCE SYSTEM
CONVERSION DE SISTEMA DE VERDOL A SISTEMA

Epic Enterprises, Inc., P.O. Box 979, Southern Pines, NC 28388-0979 USA
Telephone Toll Free 800-648-7273 or 910-692-5441 Outside USA
Fax Toll Free 888-692-4147 or 910-692-4147 Outside USA
Website: <http://www.epicenterprises.com> E-Mail: epic@epicenterprises.com



Position	OEM Ref. Nos.	Epic No.	Description	UOM
VE10-01	Not Applicable	EE320001	Traverse System 120 Position for Model 400 Verdol <i>Conjunto Epic para Vairen para Verdol 400 con 120 husos</i>	EA
VE10-01	Not Applicable	EE320003	Traverse System 84 Position for 500 Gauge Verdol <i>Conjunto Epic para Vaiven para Verdol 500 con 84 husos</i>	EA
VE10-01	Not Applicable	EE320002	Traverse System 96 Position for Model 400 Verdol <i>Conjunto Epic para Vaiven para Verdol 400 con 96 husos</i>	EA
VE10-01	Not Applicable	EE401875V	Traverse Thread Guide Assembly Complete, 3.0mm , Heavy Duty <i>Conjunto de Guiahilo para Trabajo Pesado, 3.0mm</i>	EA
VE10-02	363375	EE401480V	Traverse Thread Guide Ceramic Tip, 3.0mm <i>Punta Ceramica para Guiahilo, 3.0mm</i>	EA
VE10-03	Not Applicable	EE440009V	Bracket, Main Support, Heavy Duty, Traverse Guide <i>Soporte Principal para Guiahilo de Vaiven Trabajo Pesado</i>	EA
VE10-04	Not Applicable	EE480018V	Clamp Piece, Mounting, for Heavy Duty Traverse Bracket <i>Abrazadera de Montage para Soporte Principal, Trabajo Pesado</i>	EA
VE10-05	Not Applicable	EE401878V	Traverse Thread Guide, 3.0mm with Bracket, Heavy Duty <i>Soporte Principal con Guiahilo Ceramico de 30 mm para Trabajo Pesado</i>	EA
VE10-07	Not Applicable	EE401877V	Washer, Regular Flat, 5mm <i>Arandela Regular Plana, 5mm</i>	EA
VE10-08	Not Applicable	EE380044	Tube, Traverse Guide, 16 X 1598mm, Chrome Plated for Model 400 <i>Tube Cromo de Guia de Vaiven, 16 x 1598mm para Verdol 400</i>	EA



VE10-08A	Not Applicable	EE380082	Rod, Intermediate Traverse, 16 X 1996mm, Chrome Plated for Model 500 <i>Tubo Cromo de Guia de Vaiven, 16 X 1996mm para Verdol 500</i>	EA
VE10-09	Not Applicable	EE380080	Tube, Cam Connecting for 500, 5/8" x 670mm <i>Tubo de Conexion para Excentrica, 500, 5/8" x 670mm</i>	EA
VE10-09	Not Applicable	EE380101	Tube, Cam Connecting Traverse for 400, 5/8" X 515mm <i>Tubo para con exion de Cama de Vaiven, 400, 5/8" x 515mm</i>	EA
VE10-10	Not Applicable	EE401668V	Bushing, Long Traverse, 16.4X22.1X22mm <i>Buje Largo para Vaiven 16.4X22.1X22mm</i>	EA
VE10-11	Not Applicable	EE480055-2V	Coupling, Traverse Rod, with 2 Holes and 4mm Pins <i>Acople para Barra de Vaiven con Dos Agujeros Pasadores de 4mm</i>	EA
VE10-12	Not Applicable	EE434015V	Pin, Spring Tension 4X20 <i>Pasador de Muelle 4X20</i>	EA
VE10-13	Not Applicable	EE430503V	Screw, Hex Head Cap 5X10 <i>Tornillo de Maquina con Cabeza Hexagonal, 5X10</i>	EA
VE10-14	22520201 555048A DE5	EE303860	Washer, External Serrated Lock, 5mm (Unplated) <i>Arandela Dentado External, 5mm</i>	EA
VE10-15	HU6	EE433301V	Nut, Hex, 5mm <i>Tuerca Hexagonal Regular, 5mm</i>	EA
VE10-16	Not Applicable	EE430244V	Screw, Socket Head Cap 8X40 <i>Tornillo con Cabeza Cilindrica Hueca 8X40</i>	EA
VE10-17	Not Applicable	EE432503V	Lockwasher, Split, 8mm <i>Arandela de Presion, 8mm</i>	EA
VE10-18	Not Applicable	EE431502V	Screw, Hex Socket Cup Point Set 6X10 <i>Prisionero Hexagonal Hueco con Punta en Copa, 6X10</i>	EA
VE10-19	555062A	EE432502V	Lockwasher, Split, 6mm <i>Arandela de Presion, 6mm</i>	EA



VE10-20	20285101 524518B HICM6X30	EE430227V	Screw, Socket Head Cap 6X30 <i>Tornillo con Cabeza Cilindrica Hueca 6X30</i>	EA
VE10-21	Not Applicable	EE380100	Coupling, Offset, Traverse Tube <i>Acopladura Desalinenda para tubo de Vaiven</i>	EA
VE10-22	Not Applicable	EE380091	Block, Cam Connecting <i>Bloque de Conexion para Excentrica</i>	EA
VE10-23	Not Applicable	EE380037	Block, End Support,for Traverse <i>Bloque de Soporte Fin de Vaiven</i>	EA
VE10-24	Not Applicable	EE380038	Rod, Traverse Guide, 10 X 365mm, Chrome Plated <i>Barra Cromo para, suia de Vaiven, 10 x 365mm</i>	EA
VE10-25	Not Applicable	EE380083	Tube, End Traverse with Bushing for 500, 5/8" Dia. X 1300mm Long <i>Tube Extremo de Vaiven con Buje, 5/8" x 1300m, 500</i>	EA
VE10-25	Not Applicable	EE380039	Tube, End Guide with Bushing for Traverse for 400, 5/8" Dia. X 956mm Long <i>Tube Fin de guia de Vaiver con buje, 400, 5/8" X 956mm</i>	EA
VE10-25A	Not Applicable	EE401673V	Bushing, Interior for Traverse Rod 10.4x14.1x15mm, 05-09, BA3-BA6 <i>Buje Interno para Vaiven, 10.4x14.1x15mm, 05-09, BA3-BA6</i>	EA
VE10-26	Not Applicable	EE380041	Support, Intermediate Guide,for Traverse <i>Soporte Intermedio de guia para Vaiven</i>	EA
VE10-28	Not Applicable	EE431802V	Washer, Regular Lock, B, 10mm <i>Arandela Regular de Seguridad, Tipo B, 10mm</i>	EA
VE10-29	Not Applicable	EE330602	Screw, Hex Head Cap, 10 X 40 <i>Tornillo Hexagonal, 10 X 40</i>	EA
VE10-30	Not Applicable	EE380081	Tube, Starting Traverse, 5/8" X 1294mm for 500 <i>Tube que Inicia para Vaiven, 5/8" X 1294mm, 500</i>	EA



VE10-30A	Not Applicable	EE380102	Tube, Starting Traverse, 5/8" x 1933mm for 400 <i>Tube que Inicia para Vaiven, 5/8" x 1933mm, 400</i>	EA
VE10-31	Not Applicable	EE380092-1	Rod Wiper Block Assembly LH <i>Conjunto Izquierdo</i>	EA
VE10-31	Not Applicable	EE380092	Rod Wiper Block Assembly RH <i>Conjunto Derecho de Bloque de Enjuga Barra</i>	EA
VE10-32	Not Applicable	EE309053	Seal for Traverse Rod at Gearbox, 5/8" <i>Sello de Aciete para Vaiven, 5/8"</i>	EA
VE10-34	(524509B) HICM5X16	EE401876V	Screw, Socket Head Cap 5X16 <i>Tornillo con Cabeza Cilindrica Husca, 5X16</i>	EA
VE10-36	215958	EE303580	Stud, Tailing with Set Screw <i>Dispositivo Reservado de Hilo</i>	EA

General: The original Verdol traverse system is complex in its design and requires considerable labor and part replacement to maintain good operation.

Solution: An easy-to-install Epic conversion kit replaces the original system with a low maintenance, heavy-duty traverse system. The conversion eliminates approximately 67% of the parts in the Verdol traverse system. Only the original traverse support 212111 is retained. Because Verdol frames vary in length, gauge and number of positions, measurements are required to allow Epic to quote the system.

Aplicación General: El sistema original de vaivén de Verdol es de diseño complicado y requiere importante mantenimiento y reemplazo de partes para que funcione adecuadamente.

Solución: Un paquete de modificación fácil de instalar de Epic reemplaza el sistema original por uno de poco mantenimiento y alta durabilidad. La modificación elimina cerca del 67% de las partes del sistema de vaivén de Verdol. Solamente el soporte de vaivén original 212111 se mantiene. Ya que las máquinas de Verdol varían en longitud, el calibre y el número de posiciones y las medidas son requeridas para que Epic pueda hacerle una cotización del sistema.

Epic products are intended as replacements for worn or damaged parts in OEM products. OEM Part numbers in (parenthesis) indicate either 1) Improved design 2) the part serves the same function as the OEM part, but may differ from the OEM design, or 3) it is a component of an assembly where no OEM reference number is available, or 4) it is a repair service for the referenced OEM part.

EE is an Epic trademark designating Epic parts

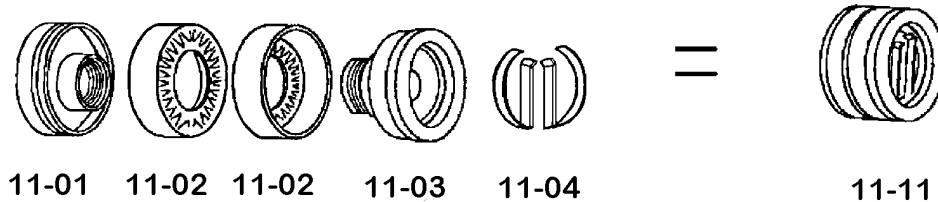
Verdol is a trademark of Rieter/ ICBT

© Epic Enterprises, March 2008

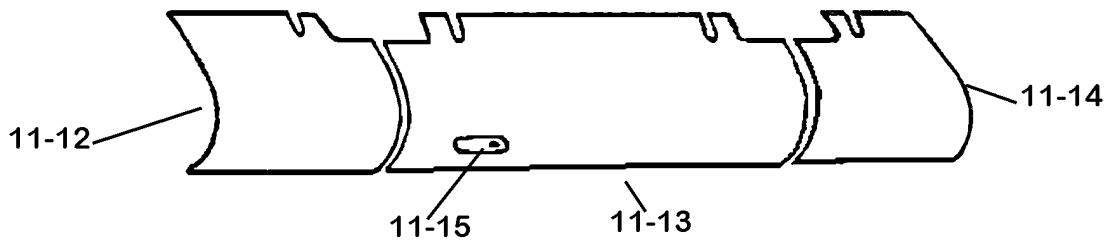
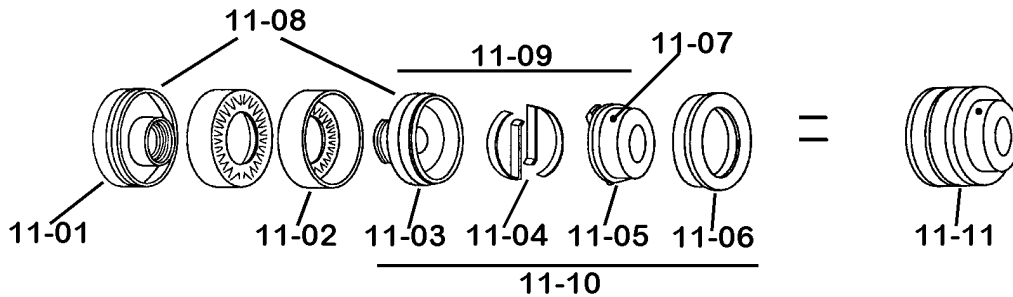


EPIC Overfeed Roll for Converted Verdols
Rodillo de Sobrealimentacion para Verdol Modifico, Tipo Epic

Note: Maximum resistance to slippage is obtained with plate springs in position shown.
Resistencia maximum a perdida de velocidad ocurre cuando resortes planos son en posicion de ilustracion.



EPIC "Volkman-Type" Overfeed Roll
Rodillo de Sobrealimentacion para Verdol Modifico, Tipo Volkman



SMALLER DIAMETER OVERFEED ROLL ASSEMBLIES
AND SAFETY COVERS FOR VERDOL
CONJUNTOS PEEQUENOS DE RODILLO DE SOBREALIMENTACION



Position	OEM Ref. Nos.	Epic No.	Description	UOM
VE11-01	Not Applicable	EE301310V	Pre-Take-Up/Overfeed, Female Half <i>Hembra para Rodillo de Sobrealimentacion</i>	EA
VE11-02	Not Applicable	EE301301V	Shell Only, Pre-Take-Up/Overfeed, 24 Flute Chrome <i>Disco Cromado para Rodillo de Sobrealimentacion, 24 Estrias</i>	EA
VE11-02	Not Applicable	EE301302V	Shell Only, Pre-Take-Up/Overfeed, 24 Flute Ceramic Coated <i>Disco Ceramico para Rodillo de Sobrealimentacion, 24 Estrias</i>	EA
VE11-02	Not Applicable	EE301306V	Shell Only, Pre-Take-Up/Overfeed, 31 Flute Ceramic <i>Disco Ceramico para Rodillo de Sobrealimentacion, 31 Estrias</i>	EA
VE11-02	Not Applicable	EE301305V	Shell Only, Pre-Take-Up/Overfeed, 31 Flute Chrome <i>Disco Cromado para Rodillo de Sobrealimentacion, 31 Estrias</i>	EA
VE11-03	Not Applicable	EE301320V	Pre-Take-Up/Overfeed Male Half, Volkmann Type <i>Tornillo Macho para Rodillo de Sobrealimentacion, Tipo Volkmann</i>	EA
VE11-04	Not Applicable	EE301316V	Spring, Pre-Take-Up/Overfeed Plate <i>Resorte para Conjunto de Sobrealimentacion</i>	EA
VE11-05	Not Applicable	EE301318V	Collar, Locking with Set Screw <i>Collarin Cierre con Prisionero</i>	EA
VE11-06	Not Applicable	EE301319V	Ring, Fixing, for Pre-Take-Up/Overfeed Assembly <i>Anillo de Fijacion para Rodillo de Sobrealimentacion</i>	EA
VE11-07	Not Applicable	EE431225V	Screw, Hex Socket Flat Point Set 5X8 <i>Prisionero Cabeza Hexagonal Hueca con Punta Plana, 5X8</i>	EA
VE11-07A	Not Applicable	EE401020V	Screw, Hex Socket Cup Point Set, 5X8 <i>Prisionero Hexagonal Hueco con Punta en Copa, 5X8</i>	EA



VE11-08	Not Applicable	EE301329V	Pre-Take-Up/Overfeed, Male & Female Halves Only, Volkmann Type <i>Conjunto de Tornillo Macho y Tuerca Hembra para Rodillo de Sobrealimentacion, Tipo Volkmann</i>	EA
VE11-09	Not Applicable	EE301300-1V	Pre-Take-Up/Overfeed Assembly, Male, without Fixing Ring, Volkmann Type <i>Juego de Conjunto Tornillo Macho sin Anillo de Fijacion, Tipo Volkmann</i>	EA
VE11-10	Not Applicable	EE301300V	Pre-Take-Up/Overfeed Assembly, Male Half and Fixing Ring, Volkmann Type <i>Juego de Conjunto Tornillo Macho con Anillo Fijacion, Tipo Volkmann</i>	EA
VE11-11	Not Applicable	EE301325V	Pre-Take-Up/Overfeed Assembly, 24 Flute Chrome "Volkmann Type" with Locking Collar <i>Conjunto de Rodillo de Sobrealimentacion, Cromado, Tipo de Volkmann, con Collarin, 24 Estrias</i>	EA
VE11-11	Not Applicable	EE301326V	Pre-Take-Up/Overfeed Assembly, 24 Flute Ceramic "Volkmann Type" with Locking Collar <i>Conjunto de Rodillo de Sobrealimentacion, Ceramico, Tipo de Volkmann, con Collarin, 24 Estrias</i>	EA
VE11-11	Not Applicable	EE301324V	Pre-Take-Up/Overfeed Assembly, 31 Flute Ceramic "Volkmann Type" without Locking Collar <i>Conjunto de Rodillo de Sobrealimentacion, Ceramico, Tipo de Volkmann, sin Collarin, 31 Estrias</i>	EA
VE11-11	Not Applicable	EE301323V	Pre-Take-Up/Overfeed Assembly, 31 Flute Chrome "Volkmann-Type" without Locking Collar <i>Conjunto de Rodillo de Sobrealimentacion, Cromado, Tipo de Volkmann, sin Collarin, 31 Estrias</i>	EA
VE11-11	Not Applicable	EE301308V	Pre-Take-Up/Overfeed Assembly, 31 Flute Chrome "Epic Type" <i>Conjunto de Rodillo de Sobrealimentacion, Disco Cromado, Tipo de Epic, 31 Estrias</i>	EA



VE11-11	Not Applicable	EE301322V	Pre-Take-Up/Overfeed Assembly, 24 Flute Ceramic "Volkman Type" without Locking Collar <i>Conjunto de Rodillo de Sobrealimentacion, Ceramico, Tipo de Volkman, sin Collarin, 24 Estrias</i>	EA
VE11-11	270123	EE301317V	Pre-Take-Up/Overfeed Assembly, 31 Flute Chrome "Volkman Type" with Locking Collar <i>Rodillo de Sobrealimentacion con Collarin Cierre Tipo Volkman, Disco Cromado, 31 Estrias</i>	EA
VE11-11	Not Applicable	EE301303V	Pre-Take-Up/Overfeed Assembly, 24 Flute Chrome "Epic Type" <i>Conjunto de Rodillo de Sobrealimentacion, Cromado, Tipo de Epic, 24 Estrias</i>	EA
VE11-11	Not Applicable	EE301311V	Pre-Take-Up/Overfeed Assembly, 31 Flute Ceramic "Epic Type" <i>Rodillo de Sobrealimentacion, Tipo de Epic, Disco Cromado, 31 Estrias</i>	EA
VE11-11	Not Applicable	EE301321V	Pre-Take-Up/Overfeed Assembly, 24 Flute Chrome "Volkman Type", without Locking Collar <i>Conjunto de Rodillo de Sobrealimentacion, Cromado, Tipo de Volkman, sin Collarin, 24 Estrias</i>	EA
VE11-11	Not Applicable	EE301304V	Pre-Take-Up/Overfeed Assembly, 24 Flute Ceramic "Epic-Type" <i>Conjunto de Rodillo de Sobrealimentacion, Ceramico, Tipo de Epic, 24 Estrias</i>	EA
VE11-11	Not Applicable	EE301327V	Pre-Take-Up/Overfeed Assembly, 31 Flute Ceramic "Volkman Type" with Locking Collar <i>Rodillo de Sobrealimentacion con Collarin Cierre, Tipo de Volkman, Disco Cromado, 31 Estrias</i>	EA
VE11-12	Not Applicable	A-18233	Cover, End 400mm, Left Side, Gear End <i>Cubierta Fin & Izquierda, Anti-Motor 400mm</i>	EA



VE11-12A	Not Applicable	A-18234	Cover, End 400mm, Right Side, Motor End <i>Cubierta Fin & derecha, Testera, 400mm</i>	EA
VE11-13	Not Applicable	EE304780	Cover, Intermediate Small Overfeed(A-18174) (400mm) <i>Cubierta Intermedia para sobrealimentacion Chica</i>	EA
VE11-14	Not Applicable	A-18235	Cover, End 400mm, Left Side, Motor End <i>Cubierta Fin & Izquierda, Testera, 400mm</i>	EA
VE11-14A	Not Applicable	A-18232	Cover, End 400mm, Right Side, Gear End <i>Cubierta Fin & Derecha, Anti-Motor 400mm</i>	EA
VE11-15	215482 96900800	EE303502	Clip, Yarn, for Overfeed Cover <i>Grapa de Hilo para Cubierta</i>	EA

SMALLER DIAMETER OVERFEED ROLL ASSMBLIES: Conversion from the original, large diameter Verdol overfeed roll assembly to the smaller diameter "Volkman-Type" assembly significantly improves runnability of the Verdol by reducing roll laps. The smaller diameter rolls can be used on 400, 450, 500 and 600 machines as well as Muschamp machines.

EPIC SAFETY COVERS FOR SMALL OVERFEED: Operator safety is enhanced on Verdol machines by the addition of Epic Take-Up Safety Covers. The covers are designed for the smaller diameter overfeed roll system and available for the 400 machine. Covers can also be adapted to fit Verdol 450, 500 and 600 model machines and Muschamp machines with small overfeed/PTU rolls.

Epic offers two types of overfeed (or pre-take-up) roll assemblies: 1) A "Volkman-Type" roll and 2) a simplified "Epic-Type" roll. The "Epic-Type" compares more directly in performance to the "Volkman-Type" without fixing ring. The shells of the rolls are offered in 24 and 31 flute designs with either bright chrome or ceramic coatings. Epic shells are formed with a tough stainless base material rather than a soft brass backing offered by others.

CONJUNTOS DE RODILLO DE SOBREALIMENTACIÓN DE DIAMETRO PEQUEÑO: la modificación del conjunto de sobrealimentación original de gran diámetro de Verdol al conjunto de diámetro más pequeño tipo Volkman, significativamente mejora la operación de la Verdol reduciendo enredos. Los rodillos de diámetro pequeños pueden utilizarse en los modelos 400, 450, 500, y 600, y también en las máquinas Muschamp.

PROTECTORES DE SEGURIDAD DE EPIC PARA SOBREALIMENTACION PEQUEÑA: La seguridad de los operadores es reforzada en las máquinas Verdol con la adición de los protectores de seguridad de Epic. Los covertores están diseñados para los rodillos de sobrealimentación de diámetro pequeño y están disponibles para las máquinas 400. Los covertores también pueden adaptarse para las máquinas Verdol 450, 500 y 600, y las máquinas Muschamp con rodillos de sobrealimentación pequeños.

Epic ofrece dos alternativas de conjuntos de sobrealimentación: 1) Uno del tipo Volkman y 2) una versión Epic simplificada. La versión de Epic se asemeja más directamente con el tipo Volkman sin el rodillo de fijación. Las



protecciones de los rodillos se ofrecen en diseños tipo flautas de 24 y 31 con recubrimiento cromado o de cerámica. Las protecciones de Epic se ofrecen en una base de material inoxidable en lugar de un bronce suave que ofrecen otros.

Epic products are intended as replacements for worn or damaged parts in OEM products. OEM Part numbers in (parenthesis) indicate either 1) Improved design 2) the part serves the same function as the OEM part, but may differ from the OEM design, or 3) it is a component of an assembly where no OEM reference number is available, or 4) it is a repair service for the referenced OEM part.

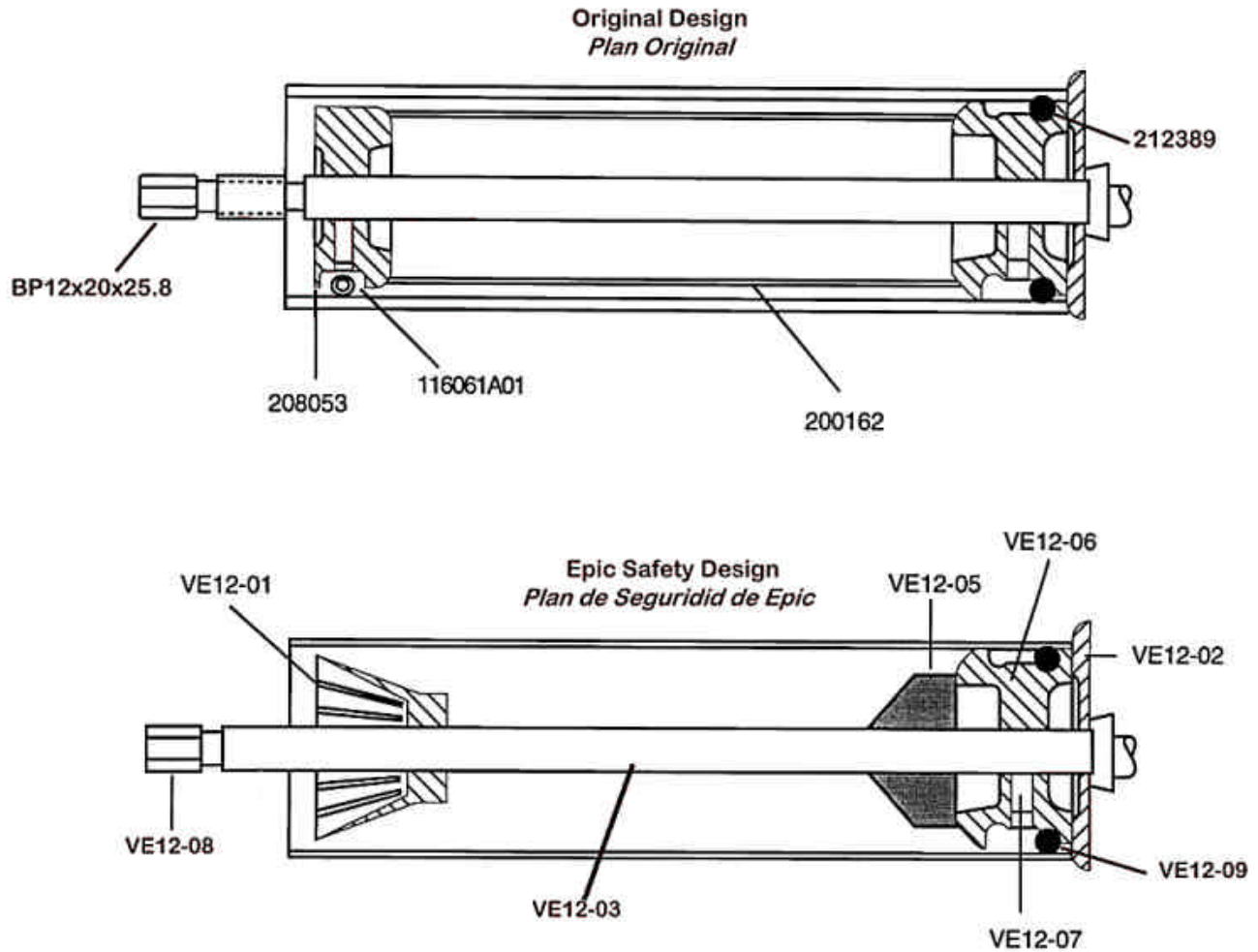
EE is an Epic trademark designating Epic parts

Verdol is a trademark of Rieter/ ICBT

© Epic Enterprises, March 2008

Epic Enterprises, Inc., P.O. Box 979, Southern Pines, NC 28388-0979 USA
Telephone Toll Free 800-648-7273 or 910-692-5441 Outside USA
Fax Toll Free 888-692-4147 or 910-692-4147 Outside USA
Website: <http://www.epicenterprises.com> E-Mail: epic@epicenterprises.com





EPIC SAFETY ADAPTOR
ADAPTADOR DE SEGURIDAD, TIPO EPIC

Epic Enterprises, Inc., P.O. Box 979, Southern Pines, NC 28388-0979 USA
Telephone Toll Free 800-648-7273 or 910-692-5441 Outside USA
Fax Toll Free 888-692-4147 or 910-692-4147 Outside USA
Website: <http://www.epicenterprises.com> E-Mail: epic@epicenterprises.com



Position	OEM Ref. Nos.	Epic No.	Description	UOM
VE12-01	(208053)	A-18326	Adaptor, Safety Take-Up (replaces 208053) <i>Adaptador de Seguridad - Reponer Verdol 208053</i>	EA
VE12-01A	(208053) 212690A	EE380155	Adaptor, Take-Up Tube, Plastic (Replaces Verdol 208053) <i>Adaptador de Seguridad, Plastico - Reponer Verdol 208053</i>	EA
VE12-02	215977A00	EE303600	Flange,Take-Up Tube <i>Reborde para Tubo de Enrollador</i>	EA
VE12-03	214650	EE380051	Arbor Assembly for Verdol Take-Up Assembly <i>Conjunto de Eje para Arrollador</i>	EA
VE12-05	(213401A)	EE303672	Tube Centering Piece, Plastic <i>Pieza de Centrado para Tubo (con A-18326)</i>	EA
VE12-06	213401A	EE380078	Adaptor, Package Centering, with Set Screw (EE331218) <i>Adaptador Centro con Opresor</i>	EA
VE12-07	Not Applicable	EE331218	Screw, Hex Socket Flat Point Set, 8X16mm (Used with EE380078 Package Centering Adaptor) <i>Opresor con Punta Plana, 8 X 16mm</i>	EA
VE12-08	(BP12x20x2905) 583008A	EE304550	Bushing, Take-Up Shaft <i>Buje para Eje de Plegado de Hilo</i>	EA

PROBLEM: Excessively high winding tensions can cause stress which collapses the yarn package take-up tube around the original equipment take-up adaptor and sleeve assembly. The crushed yarn package becomes extremely difficult to remove, sometimes requiring disassembly of the take-up holder assembly. Operator injuries may occur during forceful attempts to remove the crushed package. Damage to the adaptor sleeve is caused by collapse of the yarn package tube.

SOLUTION: The A-18326 Safety Adaptor, an Epic innovation, is simple in design and extremely effective in eliminating the problems of removing crushed yarn packages. The A-18326 Safety Adaptor allows easy tube insertion and equally effortless removal over its spring-life retaining fingers, while minimizing any chance of harming the operator. The A-18326 Safety Adaptor fully supports the take-up package.

INSTALLATION OF EPIC SAFETY ADAPTOR: Remove OEM parts 208053 Tube Centerer, 200162 Sleeve, and 116061A01 Spring as shown in Figure 1. Replace with Epic part A-18326 (VE12-01) as shown in Figure 2. Epic part EE303672 (VE12-05) shown in Figure 2 is available to assist with tube alignment.

PROBLEMA: Una excesiva tensión de bobinado puede causar un esfuerzo tal que colapse el paquete de salida alrededor del conjunto de portacono y manga. El paquete de hilo colapsado puede ser muy difícil de ser removido

Epic Enterprises, Inc., P.O. Box 979, Southern Pines, NC 28388-0979 USA
Telephone Toll Free 800-648-7273 or 910-692-5441 Outside USA
Fax Toll Free 888-692-4147 or 910-692-4147 Outside USA
Website: <http://www.epicenterprises.com> E-Mail: epic@epicenterprises.com



requiriendo en algunos casos el desarmado completo del sistema para poder sacar el hilo. Pueden incluso ocurrir accidentes a los operadores al intentar sacar los paquetes. El paquete de hilo colapsado también puede dañar la manga de adaptación.

SOLUCION: El adaptador de seguridad A-18326, una innovación de EPIC, es de un diseño sencillo pero sumamente efectivo al momento de remover el paquete de hilo colapsado. El adaptador de seguridad A-18326 permite una colocación fácil del cono y del mismo modo una remoción fácil del mismo modo una remoción.

INSTALACION DEL SISTEMA DE ADAPTADOR DE SEGURIDAD DE EPIC: Sacar las partes originales Centrador del Cono (OEM 208053), la manga (OEM 200162), y el resorte 116061A01 de acuerdo a lo indicado en la Figura 1. Reemplace las partes indicadas con la parte de Epic A-18326 (VE12-01) de acuerdo con la Figura 2. La parte de Epic EE303672 (VE12-05) que se indica en la Figura 2 está disponible para ayudar en el proceso de centraje del cono.

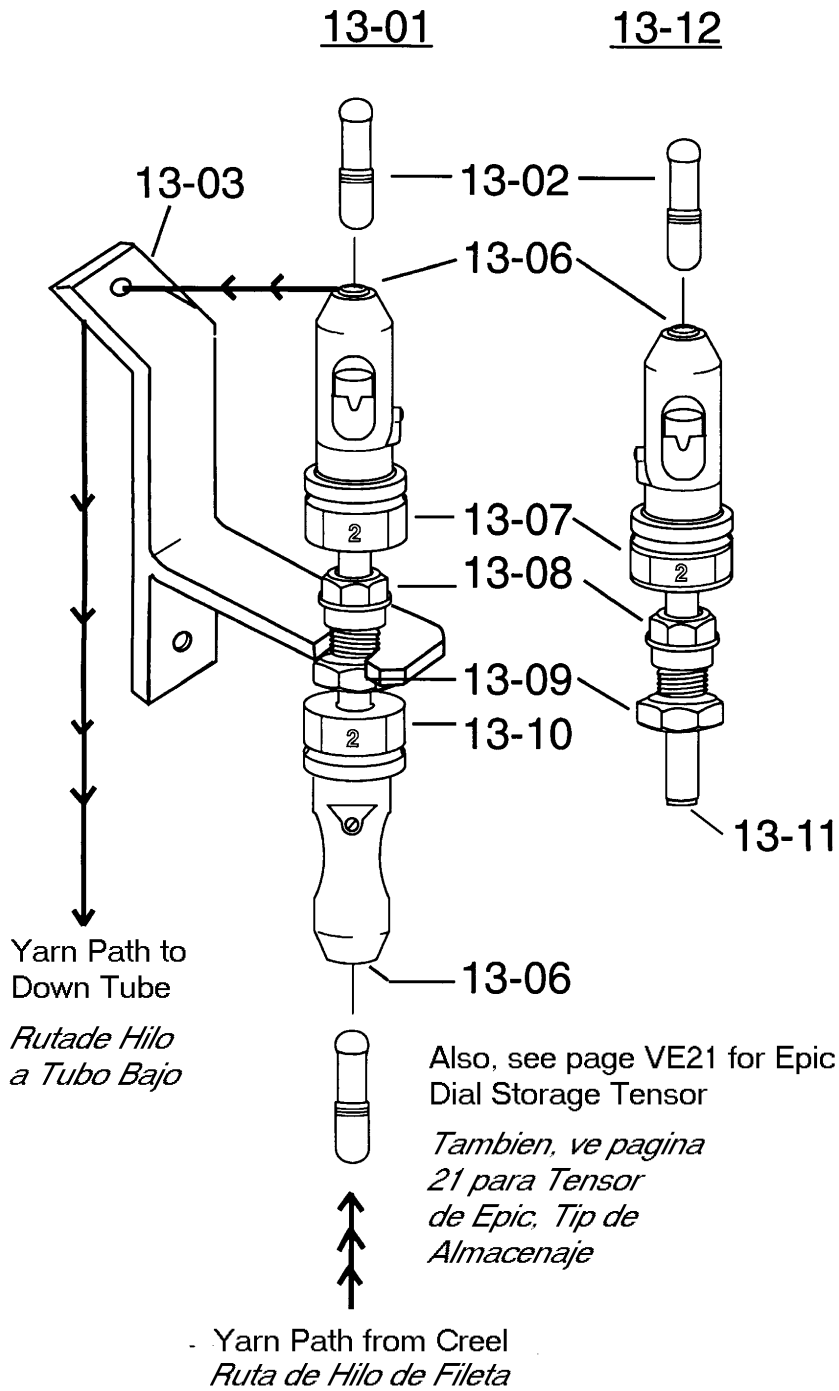
Epic products are intended as replacements for worn or damaged parts in OEM products. OEM Part numbers in (parenthesis) indicate either 1) Improved design 2) the part serves the same function as the OEM part, but may differ from the OEM design, or 3) it is a component of an assembly where no OEM reference number is available, or 4) it is a repair service for the referenced OEM part.

EE is an Epic trademark designating Epic parts

Verdol is a trademark of Rieter/ ICBT

© Epic Enterprises, March 2008





DOUBLE AND SINGLE TENSION DEVICES TO REPLACE
SINGLE OR BALL TENSION DEVICE ON VERDOL CREELS
DISPOSITIVOS DE TENSION DOBLE Y SINGULAR A REPONER DISPOSITIVOS



Position	OEM Ref. Nos.	Epic No.	Description	UOM
VE13-01	Not Applicable	EE401830-1V	Double Tension Device (Capsules not included) <i>Dispositivo de doble tensión (no se incluyen las cápsulas)</i>	EA
VE13-02	Not Applicable	EE401835-1V	Capsule, Straight Tension, Bulb Type, #0 <i>Cápsula de tensión directa, tipo bulbo # 0</i>	EA
VE13-02A	Not Applicable	EE401836-1V	Capsule, Straight Tension, Bulb Type, #1 <i>Cápsula de tensión directa, tipo bulbo # 1</i>	EA
VE13-02B	Not Applicable	EE401837-1V	Capsule, Straight Tension, Bulb Type, #2 <i>Cápsula de tensión directa, tipo bulbo # 2</i>	EA
VE13-02C	Not Applicable	EE401838-1V	Capsule, Straight Tension, Bulb Type, #3 <i>Cápsula de tensión directa, tipo bulbo # 3</i>	EA
VE13-02D	Not Applicable	EE401839-1V	Capsule, Straight Tension, Bulb Type, #4 <i>Cápsula de tensión directa, tipo bulbo # 4</i>	EA
VE13-02E	Not Applicable	EE401840-1V	Capsule, Straight Tension, Bulb Type, #5 <i>Cápsula de tensión directa, tipo bulbo # 5</i>	EA
VE13-02F	Not Applicable	EE401841-1V	Capsule, Straight Tension, Bulb Type, #6 <i>Cápsula de tensión directa, tipo bulbo # 6</i>	EA
VE13-03	Not Applicable	EE380001-2	Mounting Bracket (Plastic) with small eyelet for Double Tension Device <i>Soporte para montaje plástico con ojales para el Dispositivo de doble tensión</i>	EA
VE13-06	Not Applicable	EE480000V	Ceramic Eyelet for Double Tension Device (5.5mm) <i>Ojo Cerámico, 5.5mm</i>	EA
VE13-07	Not Applicable	EE480002V	Top Numbering Strip for Tension Device <i>Cinta Numerada Superior para Sistema Tensor</i>	EA



VE13-08	Not Applicable	EE401834V	Nut, Plastic (Fixing Screw) 14X1.5mm <i>Tuerca Plastica (Tornillo de Fijacion), 14X1.5mm</i>	EA
VE13-09	Not Applicable	EE480006V	Hex Jam Nut (used on Single Tension Device) <i>Tuerca hexagonal delgada (usada en el dispositivo de tensión simple)</i>	EA
VE13-10	Not Applicable	EE480003V	Bottom Numbering Strip for Tension Device <i>Cinta Numerada Inferior para Sistema Tensor</i>	EA
VE13-11	Not Applicable	EE401864V	Ceramic Eyelet <i>Ojo Ceramico</i>	EA
VE13-12	Not applicable	EE440008V	Single Tension Device (Capsules not included) <i>Dispositivo de tensión simple (no incluye cápsulas)</i>	EA

PROBLEM: When changing yarns and tension settings on the spring-loaded tension device (588029A00) on Verdol cablers, it is necessary to adjust the setting nut at each position using a strobe light to assure that each position is running at the same reserve wrap amount. This process is very time consuming. If larger changes in yarn types and reserve are required, it is necessary to completely disassemble the OEM device, replace the springs and then reassemble.

In setting reserves with ball tension devices, it is necessary to replace the balls with different diameter balls to achieve the desired reserve.

SOLUTION: The Epic Double Tension Device has almost infinite capability in varying tension. Most commonly, the same capsule is used in the upper and lower compartments of the device. By rotating the upper and lower sections of the device on their cams, eight different tension settings can be achieved with the same capsules. When changing yarns, only one position must be checked with a strobe light. Each position setting is numbered and color-coded. Changing all other frame positions to the same tension setting takes only a few minutes by going down the frame and rotating the tension device to the same number/color combination.

If a major yarn change in yarn occurs, it may be necessary to change capsules. This can be done quickly by installing a different capsule. Seven different capsules are available ranging from the very light tension #0 capsule to the very heavy tension #6 capsule.

Speed, uniformity and reliability are achieved with Epic's DOUBLE TENSION DEVICE. For other tension control problems (heatsetting creels, side creels for ring twisters, etc.), the SINGLE TENSION DEVICE is also shown. For plants with Volkmann cablers, parts are interchangeable.

The double tension device is usually mounted on the "E" Creel by removing the pretension support (215990A01 or A-18055) of the overhead creel arm (see Section 14). An alternate location is on top of the down tube (see Section 16).



PROBLEMA: Cuando se cambia el tipo de hilados y los ajustes de tensión en el dispositivo de tensión por resorte (588029 A00) en las cableadoras de Verdol, es necesario ajustar la tuerca de calibración en cada posición usando el estroboscopio para asegurar que cada posición está ajustada para la misma cantidad de vueltas. Este problema es muy demorado. Si más cambios en el tipo de hilado y la reserva son requeridos es necesario desarmar totalmente la parte original, cambiar los resortes y luego ensamblar.

Al calibrar las reservas en dispositivos de tensión de bola, es necesario reemplazar las bolas con bolas de diferente diámetro para obtener la reserva deseada.

SOLUCION: El dispositivo de doble tensión de Epic, tiene prácticamente una capacidad ilimitada de variar las tensiones. Comúnmente, la misma cápsula es utilizada en los compartimentos altos y bajos del dispositivo. Al rotar las secciones altas y bajas del dispositivo en sus levas, pueden obtenerse ocho diferentes tensiones con las mismas cápsulas. Al cambiar de hilados, solamente la posición debe comprobarse con el estroboscopio. Cada posición es numerada e identificada con un código de color. El cambiar todas las otras posiciones de la máquina a las mismas posiciones toma solamente pocos minutos al ir a lo largo de la máquina rotando los dispositivos de tensión al mismo código de color y número.

Si un cambio importante en el hilado ocurre, puede ser necesario cambiar las cápsulas. Esto puede realizarse rápidamente instalando una cápsula diferente. Siete cápsulas diferentes están disponibles que van desde una tensión muy baja (#0) a la tensión más alta (#6).

Uniformidad en la velocidad y confiabilidad son obtenidas con el sistema de doble tensión de Epic. Para otros problemas de tensión (filetas para termofijado, filetas laterales para torcedoras de anillos, etc) el dispositivo de tensión simple también se indica. Para plantas con cableadoras Volkman, las partes son intercambiables.

El dispositivo de doble tensión es normalmente instalado en la fileta tipo "E" eliminando el soporte de pretensión (215990 A01 o A-18055) del brazo de la fileta elevada. (ver sección 14). Una ubicación alterna es en la parte alta del tubo de soporte. (ver sección 16).

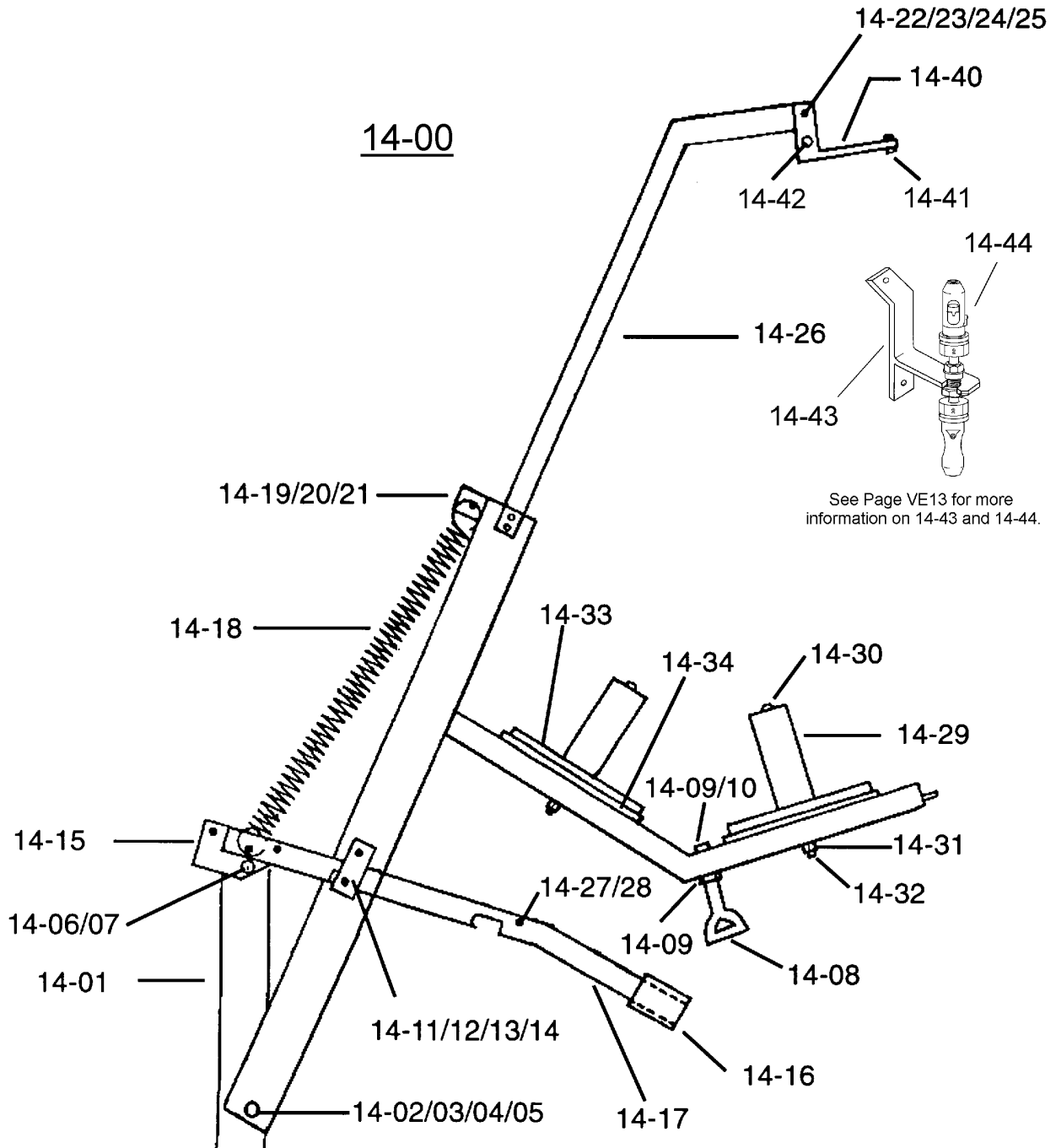
Epic products are intended as replacements for worn or damaged parts in OEM products. OEM Part numbers in (parenthesis) indicate either 1) Improved design 2) the part serves the same function as the OEM part, but may differ from the OEM design, or 3) it is a component of an assembly where no OEM reference number is available, or 4) it is a repair service for the referenced OEM part.

EE is an Epic trademark designating Epic parts

Verdol is a trademark of Rieter/ ICBT

© Epic Enterprises, March 2008





See Page VE13 for more information on 14-43 and 14-44.

**EPIC "E" STYLE OVERHEAD CREEL ASSEMBLY
FOR MUSCHAMP & MODEL 400/450 VERDOL CABLERS
CONJUNTO DE FILETA, TIPO "E" EPIC, PARA FILETAS DE**

Epic Enterprises, Inc., P.O. Box 979, Southern Pines, NC 28388-0979 USA
Telephone Toll Free 800-648-7273 or 910-692-5441 Outside USA
Fax Toll Free 888-692-4147 or 910-692-4147 Outside USA
Website: <http://www.epicenterprises.com> E-Mail: epic@epicenterprises.com



<i>Position</i>	<i>OEM Ref. Nos.</i>	<i>Epic No.</i>	<i>Description</i>	<i>UOM</i>
VE14-00	(216049)	EE304800	Creel, E, Complete (A-18239) CALL EPIC FOR PRICING <i>Conjunto completo de "E" Fileta EPOPEYA DE LA LLAMADA PARA TASAR</i>	EA
VE14-00A	(217793)	EE340026	Creel, Epic Style Overhead, for Model 450 Verdol, 120 Position, Manual Safety Latch CALL EPIC FOR PRICING <i>Conjunto Completo de Fileta para 450 Verdol EPOPEYA DE LA LLAMADA PARA TASAR</i>	EA
VE14-01	Not Applicable	A-18043	Support, Main Creel (Post) <i>Soporte Primero para Fileta</i>	EA
VE14-02	583058A	EE304560	Bushing, E Creel Arm <i>Buje para Brazo de "E" Fileta</i>	EA
VE14-03	Not Applicable	A-18360	Collar w/Set Screw, 1" <i>Collarin con Opresor, 1"</i>	EA
VE14-05	Not Applicable	A-18044	Shaft, 1X24" <i>Eje, 1 x 24"</i>	EA
VE14-06	Not Applicable	A-18046	Shaft, 3/4" X 24" <i>Eje, 3/4" x 24"</i>	EA
VE14-07	Not Applicable	A-18359	Collar w/Set Screw, 3/4" <i>Collarin con Opresor, 3/4"</i>	EA
VE14-08	(215812)	A-18051	T-Handle for E Creel <i>Asa T para Fileta "E"</i>	EA
VE14-09	Not Applicable	A-18357	Lock Washer, Spring, 3/8", Z/P <i>Arandela Regular de Seguridad, 3/8"</i>	EA
VE14-10	Not Applicable	A-18358	Nut, Hex , 3/8" Z/P <i>Tuerca Hexagonal, 3/8"</i>	EA
VE14-11	Not Applicable	A-18367	Plate, Slide for E Creel Latch <i>Placa Lada para Picaporte de fileta "E"</i>	EA
VE14-12	Not Applicable	A-18368	Spacer for E Creel Latch <i>Espaciador para Picaporte de Fileta "E"</i>	EA
VE14-14	Not Applicable	A-18370	Lock Nut, Nylon Insert, 5/16", Z/P <i>Contratuerca con Inserto de Nylon, 5/16"</i>	EA



VE14-15	Not Applicable	EE380070	Plate, Latch for E Creel <i>Placa de Cierra par Fileta "E"</i>	EA
VE14-16	Not Applicable	A-18280	Handle, Yellow Vinyl for E Creel <i>Asa Amarilla para Fileta "E"</i>	EA
VE14-18	116060	EE302000	Spring, E Overhead Creel <i>Resorte para Cantara "E"</i>	EA
VE14-21	Not Applicable	A-18358	Nut, Hex , 3/8" Z/P <i>Tuerca Hexagonal, 3/8"</i>	EA
VE14-23	Not Applicable	A-18364	Lockwasher, 1/4, Z/P <i>Arandela Regular de Seguridad, 1/4"</i>	EA
VE14-24	Not Applicable	A-18365	Nut, Hex, 1/4", Z/P <i>Tuerca Hexagonal, 1/4"</i>	EA
VE14-25	Not Applicable	A-18364	Lockwasher, 1/4, Z/P <i>Arandela Regular de Seguridad, 1/4"</i>	EA
VE14-26	(216049)	EE304720	Arm, Extension, E Creel (A-18054) <i>Extension de Brazo para "E" Fileta</i>	EA
VE14-27	Not Applicable	A-18371	Screw, Hex Head Cap, 5/16" x 3/4" <i>Tornillo con Cabeza Hexagonal , 5/16" x 3/4"</i>	EA
VE14-28	Not Applicable	A-18370	Lock Nut, Nylon Insert, 5/16", Z/P <i>Contratuerca con Inserto de Nylon, 5/16"</i>	EA
VE14-28	(215814)	A-18283	Latch, 400 Safety Kit (E) (3/4" Shaft) <i>Equipo para Picaporte de Seguridad, fileta "E", 400, Eje 3/4"</i>	EA
VE14-28A	(215814)	A-18283A	Latch, 400 Safety Kit (E) (20mm Shaft) <i>Equipo para Picaporte de Seguridad, Fileta "E", 400, Eje 20mm</i>	EA
VE14-28B	(215814)	A-18284	Latch, 450 Safety Kit (E) <i>Equipo para Picapore de Seguridad, Fileta "E", 450</i>	EA
VE14-28C	(583058)	EE304760	Kit, Repair, E Creel Arm (A-18165) (2 Bushings in Steel Shell) <i>Equipo Reparar Brazo de "E" Fileta</i>	EA
VE14-29	200316A	EE303240	Holder, Creel Hardwood Tube, 3/8" Diameter Bore <i>Sujetar de Tubo en Madura Dura para Cantara, 3/8" o 9.5mm</i>	EA



VE14-29A	200316B	EE303240-1	Holder, Creel Hardwood Tube, 5/8" Diameter Bore <i>Sujetar de Tubo en Madura Dura para Cantara, 5/8" o 15.3mm</i>	EA
VE14-29B	200316C	EE303240-2	Holder, Creel Hardwood Tube, 3/4" Diameter Bore <i>Sujetar de Tubo en Madura Dura para Cantara, 3/4"</i>	EA
VE14-29C	200316D	EE303240-3	Holder, Creel Hardwood Tube, 13/16" Diameter Bore with 5/16" Allen Head Cup Point Set Screw <i>Sujetar de Tubo en Madura Dura para Cantara E, 13/16"</i>	EA
VE14-30	Not Applicable	A-18362	Bolt, Carriage, 3/8" X 8" <i>Perno, 3/8" x 8"</i>	EA
VE14-31	Not Applicable	A-18357	Lock Washer, Spring, 3/8", Z/P <i>Arandela Regular de Seguridad, 3/8"</i>	EA
VE14-32	Not Applicable	A-18358	Nut, Hex , 3/8" Z/P <i>Tuerca Hexagonal, 3/8"</i>	EA
VE14-33	(119313A)	EE302260	Pad, Foam, Unlined, 318mm OD X 9.5mm ID x 38mm Thick, White (12 1/2" X 3/8" X 1 1/2") <i>Cojincillo de Espuma, 318mm OD X 9.5mm ID X 38mm Espeso (12 1/2" X 3/8" X 1 1/2"), Blanco</i>	EA
VE14-33	119313A	EE302220	Pad, Foam, Unlined, 292mm OD X 9.5mm ID X 19mm Thick, White, (11 1/2" X 3/8" X 3/4") <i>Cojincillo de Espuma, 292mm OD X 9.5 mm ID X 19mm Espeso (11 1/2" X 3/8" X 3/4"), Blanco</i>	EA
VE14-33	(119313A)	EE302230	Pad, Foam, Unlined, 292mm OD X 9.5mm ID X 25mm Thick, White (11 1/2" X 3/8" X 1") <i>Cojincillo de Espuma, 9.5 mm ID X 292mm OD X 25mm Espeso (11 1/2" X 3/8" X 1"), Blanco</i>	EA



VE14-33	(119313A)	EE302240	Pad, Foam, Unlined, 292mm OD X 89mm ID, 25mm Thick, White (11" X 3 1/2" X 1") <i>Cojincillo de Espuma, 280mm OD X 89mm ID X 25mm Espeso (11" X 3 1/2" X 1"), Blanco</i>	EA
VE14-33	96500200	EE302245	Pad, Felt, Unlined, 273mm OD X 90mm ID X 8mm Thick, Gray (10 3/4" X 3 1/2" X 5/16") <i>Cojincillo de Fieltro, 273mm OD X 90mm ID X 8mm Espeso (10 3/4" X 3 1/2" X 5/16"), Gris</i>	EA
VE14-33	96500300	EE302243	Pad, Foam, Unlined, 280mm OD X 90mm ID X 15mm Thick, White (11" X 3 1/2" X 5/8") <i>Conjincillo de Espuma, 280mm OD X 90mm ID X 15mm Espeso(11" X 3 1/2" X 5/8"), Blanco</i>	EA
VE14-33	119313A	EE302242	Pad, Foam, Unlined, 280mm OD X 57mm ID X 25mm Thick, White (11" X 2 1/4" X 1") <i>Cojincillo de Espuma, 280mm OD X 57mm ID X 25mm Espeso (11" X 2 1/4" X 1"), Blanco</i>	EA
VE14-33	119261B00	EE302244	Pad, Foam, Unlined, 270mm OD X 115mm ID X 30mm Thick, White (10 5/8" X 4 1/2" X 1 3/16") <i>Cojincillo de Espuma, 270mm OD X 115mm ID X 30mm Espeso, (10 5/8" X 4 1/2" X 1 3/16") Blanco</i>	EA
VE14-33	(119313A)	EE302262	Pad, Foam, Unlined, 318mm OD X 9.5mm ID X 51mm Thick, White (12 1/2" X 3/8" X 2") <i>Cojincillo de Espuma, 318mm OD X 9.5mm ID X 51mm Espeso (12 1/2" X 3/8" X 2"), Blanco</i>	EA
VE14-33	(119313A)	EE302263	Pad, Foam, Unlined, 356mm OD X 19mm ID X 19mm Thick, White (14" X 3/4" X 3/4") <i>Cojincillo de Espuma, 356mm OD X 19mm ID X 19mm Espeso (14" X 3/4" X 3/4"), Blanco</i>	EA



VE14-33	(119313A)	EE302270	Pad, Foam, Unlined, 381mm OD X 89mm ID X 51mm Thick, White (15" X 3 1/2" X 2") <i>Cojincillo de Espuma, 381mm OD X 89mm ID X 51mm Espeso (15" X 3 1/2" X 2"), Blanco</i>	EA
VE14-33	(119313A)	EE302241	Pad, Foam, Unlined, 280mm OD X 76mm ID X 25mm Thick, White (11" X 3" X 1") <i>Cojincillo de Espuma, 280mm OD X 76mm ID X 25mm Espeso (11" X 3" X 1"), Blanco</i>	EA
VE14-34	(215808) (119355)	EE304710	Creel Support Disc, E&C Fiber <i>Disco de Soporte de Fileta "E" y "C"</i>	EA
VE14-34A	(215808) (119355)	EE304710-2	Disc, Creel, White Plastic, 1/4" Thick X 11" O.D. X 25/64 I.D. <i>Disco de Soporte de Fileta, 1/4" X 11" O.D. X 25/64 I.D.</i>	EA
VE14-35	(216128)	EE304700	Arm, E Creel (A-18049) <i>Brazo para "E" Fileta</i>	EA
VE14-38	(22513001) (555024A)	A-18356	Washer, Regular Flat 3/8", Plated <i>Arandela Plana, 3/8"</i>	EA
VE14-39	Not Applicable	A-18358	Nut, Hex , 3/8" Z/P <i>Tuerca Hexagonal, 3/8"</i>	EA
VE14-40	(215951)	A-18055	Bracket, Pretension Mounting <i>Soporte para estructura de pretensión</i>	EA
VE14-40A	Not Applicable	EE305543	Brackets and Hardware to Mount Dial Storage Tensor to Verdol 400 Creel (does not include dial storage tensor or roller assembly) <i>Soportes y Equipo por Fijar Esfera Almacen Tensor por Verdol 400 Creel</i>	EA
VE14-40B	Not Applicable	EE305543-1	Brackets and Hardware to Mount Dial Storage Tensor to Verdol 400 Creel (with roller, without storage tensor) <i>Soportes y Equipo por Fijar Esfera Almacen Tensor por Verdol 400 Creel</i>	EA
VE14-41	588034C	EE304600	Eyelet, Large Ceramic <i>Ojo Grande de Ceramica</i>	EA
VE14-42	588034A	EE304580	Eyelet, Small Ceramic <i>Ojo Ceramico Chico</i>	EA



VE14-43	Not Applicable	EE380001-2	Mounting Bracket (Plastic) with small eyelet for Double Tension Device <i>Soporte para montaje plástico con ojales para el Dispositivo de doble tensión</i>	EA
VE14-44	Not Applicable	EE401830-1V	Double Tension Device (Capsules not included) <i>Dispositivo de doble tensión (no se incluyen las cápsulas)</i>	EA

The Epic "E" Style Overhead Creel is a well-proven design with many thousands in service. All new Epic creel assemblies are equipped with positive detent safety latches.

EE304800 (014-00) is the overhead creel style for Model 400 Verdol and may have variations (particularly in the safety latch arm) depending on customer preference.

EE340026 (14-00A) is creel style for the model 450 Verdol. The overall design is almost identical to the creel for the 400 model.

La fileta tipo "E" sobre cabeza de Epic es un diseño ya probado con varios miles ya instaladas y en servicio. Todas las nuevas filetas de Epic están equipadas con pasadores de seguridad.

La parte EE304800 (014-00) es la fileta tipo sobrecabeza para el modelo 400 de Verdol y puede tener variaciones (específicamente en los brazos de los pasadores de seguridad) dependiendo de la preferencia del cliente.

La parte EE340026 (14-00A) es la fileta para el modelo 450 de Verdol. El diseño es prácticamente idéntico a la fileta para el modelo 400.

Epic products are intended as replacements for worn or damaged parts in OEM products. OEM Part numbers in (parenthesis) indicate either 1) Improved design 2) the part serves the same function as the OEM part, but may differ from the OEM design, or 3) it is a component of an assembly where no OEM reference number is available, or 4) it is a repair service for the referenced OEM part.

EE is an Epic trademark designating Epic parts

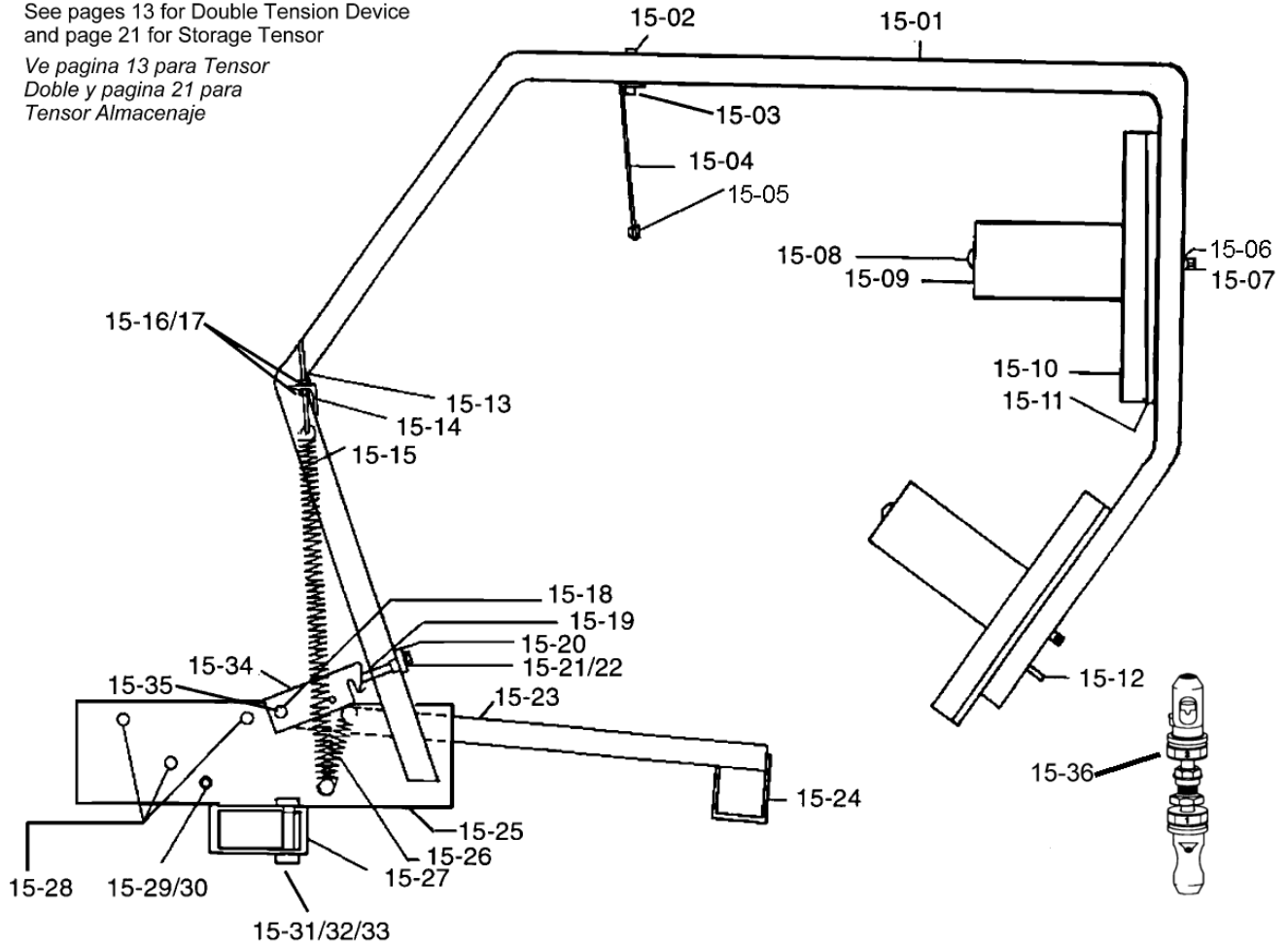
Verdol is a trademark of Rieter/ ICBT

© Epic Enterprises, March 2008



See pages 13 for Double Tension Device
and page 21 for Storage Tensor

Ve pagina 13 para Tensor
Doble y pagina 21 para
Tensor Almacenaje



EPIC "C" STYLE OVERHEAD CREEL ASSEMBLIES
FOR VERDOL, MUSCHAMP, HAMEL CABLERS
CONJUNTO DE FILETA, TIPO "C" EPIC, PARA FILETAS

Epic Enterprises, Inc., P.O. Box 979, Southern Pines, NC 28388-0979 USA
Telephone Toll Free 800-648-7273 or 910-692-5441 Outside USA
Fax Toll Free 888-692-4147 or 910-692-4147 Outside USA
Website: <http://www.epicenterprises.com> E-Mail: epic@epicenterprises.com



Position	OEM Ref. Nos.	Epic No.	Description	UOM
VE15-01	Not Applicable	MV-1021CR	C Creel Package Arm Assembly including Spring Bracket (Welded on Arm), U-Bolt Plate and Oval Handle <i>Conjunto de Brazg Cartela, Placa Y Asa para Fileta "C"</i>	EA
VE15-04	Not Applicable	MV-1027CR	Holder, C Creel Yarn Guide <i>Cartela para Guiahilo de Fileta "C"</i>	EA
VE15-05	588034A	EE304580	Eyelet, Small Ceramic <i>Ojo Ceramico Chico</i>	EA
VE15-06	Not Applicable	A-18357	Lock Washer, Spring, 3/8", Z/P <i>Arandela Regular de Seguridad, 3/8"</i>	EA
VE15-07	Not Applicable	A-18358	Nut, Hex , 3/8" Z/P <i>Tuerca Hexagonal, 3/8"</i>	EA
VE15-08	Not Applicable	A-18173	Bolt, Carriage, 3/8" X 9.5" <i>Perno, 3/8" x 9.5"</i>	EA
VE15-09	Not Applicable	MV-1028CR	Holder, C Creel Hardwood Tube <i>Cartela de Madera Dura para Fileta "C"</i>	EA
VE15-10	(119313A)	EE302240	Pad, Foam, Unlined, 292mm OD X 89mm ID, 25mm Thick, White (11" X 3 1/2" X 1") <i>Cojincillo de Espuma, 280mm OD X 89mm ID X 25mm Espeso (11" X 3 1/2" X 1"), Blanco</i>	EA
VE15-10	119261B00	EE302244	Pad, Foam, Unlined, 270mm OD X 115mm ID X 30mm Thick, White (10 5/8" X 4 1/2" X 1 3/16") <i>Cojincillo de Espuma, 270mm OD X 115mm ID X 30mm Espeso, (10 5/8" X 4 1/2" X 1 3/16") Blanco</i>	EA
VE15-10	96500300	EE302243	Pad, Foam, Unlined, 280mm OD X 90mm ID X 15mm Thick, White (11" X 3 1/2" X 5/8") <i>Conjincillo de Espuma, 280mm OD X 90mm ID X 15mm Espeso(11" X 3 1/2" X 5/8"), Blanco</i>	EA



VE15-10	96500200	EE302245	Pad, Felt, Unlined, 273mm OD X 90mm ID X 8mm Thick, Gray (10 3/4" X 3 1/2" X 5/16") <i>Cojincillo de Fieltro, 273mm OD X 90mm ID X 8mm Espeso (10 3/4" X 3 1/2" X 5/16"), Gris</i>	EA
VE15-10	119313A	EE302242	Pad, Foam, Unlined, 280mm OD X 57mm ID X 25mm Thick, White (11" X 2 1/4" X 1") <i>Cojincillo de Espuma, 280mm OD X 57mm ID X 25mm Espeso (11" X 2 1/4" X 1"), Blanco</i>	EA
VE15-11	(215808) (119355)	EE304710	Creel Support Disc, E&C Fiber <i>Disco de Soporte de Fileta "E" y "C"</i>	EA
VE15-11A	(215808) (119355)	EE304710-2	Disc, Creel, White Plastic, 1/4" Thick X 11" O.D. X 25/64 I.D. <i>Disco de Soporte de Fileta, 1/4" X 11" O.D. X 25/64 I.D.</i>	EA
VE15-13	Not Applicable	MV-1020CR	EyeBolt, C Creel <i>Perno en Forma de Ojo para Fileta "C"</i>	EA
VE15-15	Not Applicable	MV-1019CR	Spring, C Creel Extension <i>Resorte de Extension para Fileta "C"</i>	EA
VE15-16	Not Applicable	A-18358	Nut, Hex , 3/8" Z/P <i>Tuerca Hexagonal, 3/8"</i>	EA
VE15-17	(22513001) (555024A)	A-18356	Washer, Regular Flat 3/8", Plated <i>Arandela Plana, 3/8"</i>	EA
VE15-19	Not Applicable	MV-1026CR	U-Bolt, C Creel <i>Perno en Forma U para fileta "C"</i>	EA
VE15-21	Not Applicable	A-18357	Lock Washer, Spring, 3/8", Z/P <i>Arandela Regular de Seguridad, 3/8"</i>	EA
VE15-22	Not Applicable	A-18358	Nut, Hex , 3/8" Z/P <i>Tuerca Hexagonal, 3/8"</i>	EA
VE15-26	Not Applicable	MV-1014CR	Spring, C Creel Small Latch <i>Resorte chico para Picaporte de Fileta "6"</i>	EA
VE15-28	Not Applicable	MV-1032CR	Bolt, C Creel Shoulder <i>Perno para Cartela para Fileta "C"</i>	EA
VE15-32	Not Applicable	A-18357	Lock Washer, Spring, 3/8", Z/P <i>Arandela Regular de Seguridad, 3/8"</i>	EA



VE15-33	Not Applicable	A-18358	Nut, Hex , 3/8" Z/P <i>Tuerca Hexagonal, 3/8"</i>	EA
VE15-36	Not Applicable	EE401830-1V	Double Tension Device (Capsules not included) <i>Dispositivo de doble tensión (no se incluyen las cápsulas)</i>	EA

The Epic "C" Style Overhead Creel is a well-proven design with many hundreds of positions in service. All creels are equipped with hardened, positive detent safety latches. Epic's EE401830-1 Double Tension Device can be mounted on the end of the MV-1004CR (VE15-17) Tension Support Tube which is supplied with the creel but is not shown in the schematic.

La filete tipo C sobrecabeza de Epic, es una modelo probado con varios cientos en operación. Todas las filetas están equipadas con pasadores de seguridad endurecidos. El dispositivo de doble tensión de Epic puede ser instalado en el extremo del tubo de soporte de tensión MV-1004CR (VE15-17) que se provee con la fleta pero que no se muestra en el diagrama.

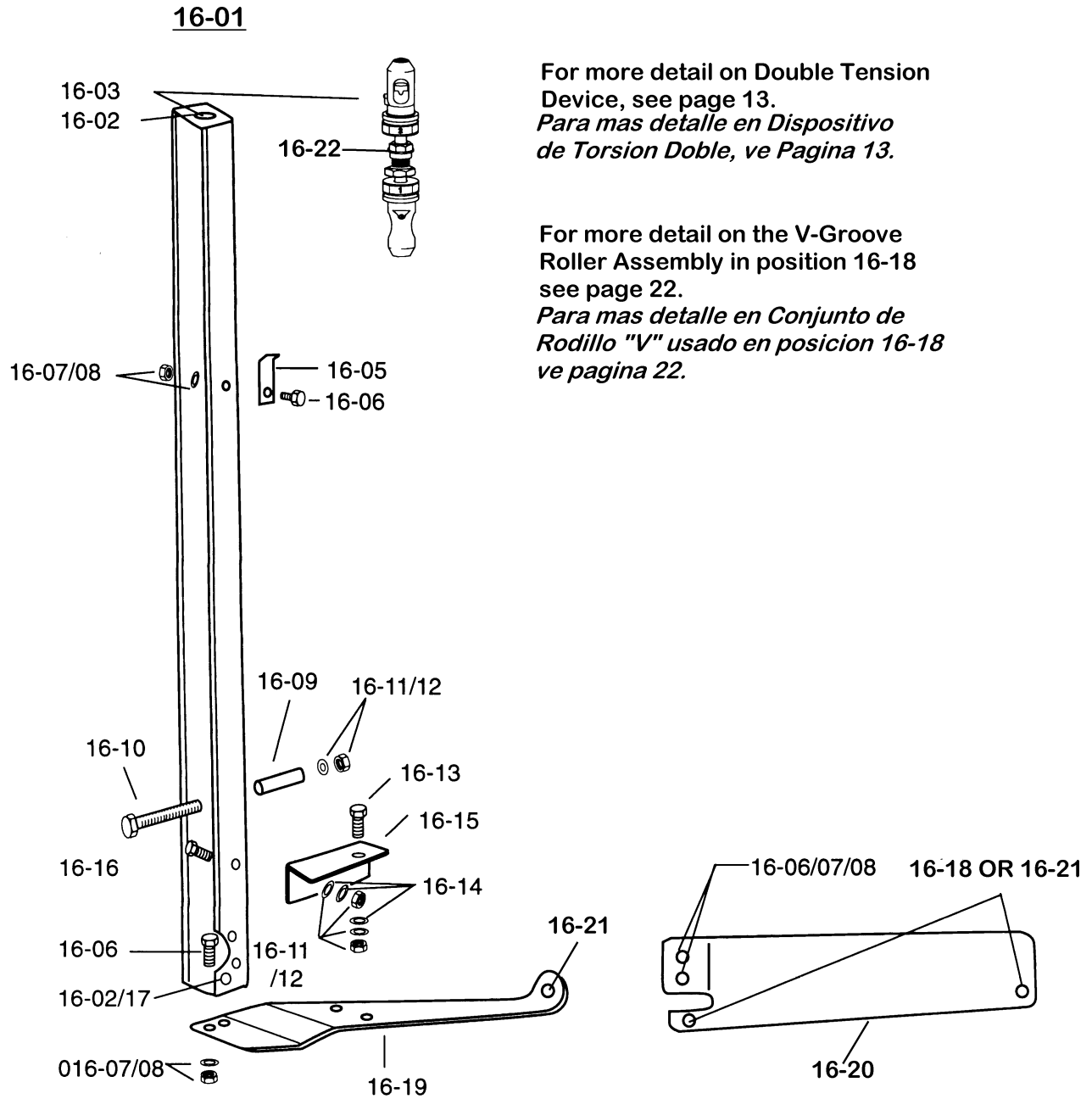
Epic products are intended as replacements for worn or damaged parts in OEM products. OEM Part numbers in (parenthesis) indicate either 1) Improved design 2) the part serves the same function as the OEM part, but may differ from the OEM design, or 3) it is a component of an assembly where no OEM reference number is available, or 4) it is a repair service for the referenced OEM part.

EE is an Epic trademark designating Epic parts

Verdol is a trademark of Rieter/ ICBT

© Epic Enterprises, March 2008





For more detail on Double Tension Device, see page 13.
Para mas detalle en Dispositivo de Torsion Doble, ve Pagina 13.

For more detail on the V-Groove Roller Assembly in position 16-18 see page 22.
Para mas detalle en Conjunto de Rodillo "V" usado en posicion 16-18 ve pagina 22.

DOWN TUBE ASSEMBLY FOR VERDOL CABLERS 400, 500 & 600
CONJUNTOS DE TUBO ABAJO PARA CABLEDORAS DE VERDOL 400, 500, Y 600

Epic Enterprises, Inc., P.O. Box 979, Southern Pines, NC 28388-0979 USA
Telephone Toll Free 800-648-7273 or 910-692-5441 Outside USA
Fax Toll Free 888-692-4147 or 910-692-4147 Outside USA
Website: <http://www.epicenterprises.com> E-Mail: epic@epicenterprises.com



Position	OEM Ref. Nos.	Epic No.	Description	UOM
VE16-01	(215991A00)	EE303620A	Down Tube Assembly with Brackets (Top Channel Open) <i>Conjunto de Tubo Abajo con Soportes (Fin Superior Abierto)</i>	EA
VE16-02	Not Applicable	EE434406V	Circlip, External, 8mm <i>Anillo "E" de Retencion, 8mm</i>	EA
VE16-03	588034A	EE304580	Eyelet, Small Ceramic <i>Ojo Ceramico Chico</i>	EA
VE16-05	215482 96900800	EE303502	Clip, Yarn, for Overfeed Cover <i>Grapa de Hilo para Cubierta</i>	EA
VE16-06	Not Applicable	A-18377	Screw, Hex Head Cap, 1/4" x 1/2" ZP <i>Tornillo Hexagonal, 1/4" x 1/2" ZP</i>	EA
VE16-07	Not Applicable	A-18364	Lockwasher, 1/4, Z/P <i>Arandela Regular de Seguridad, 1/4"</i>	EA
VE16-08	Not Applicable	A-18365	Nut, Hex, 1/4", Z/P <i>Tuerca Hexagonal, 1/4"</i>	EA
VE16-09	Not Applicable	A-18058	Spacer, Heavy Wall <i>Espacio Especo</i>	EA
VE16-10	Not Applicable	A-18376	Screw, Hex Head Cap, 3/8" x 3/4", Z/P <i>Tornillo con Cabeza Hexagonal, 3/8" x 3/4"</i>	EA
VE16-11	Not Applicable	A-18357	Lock Washer, Spring, 3/8", Z/P <i>Arandela Regular de Seguridad, 3/8"</i>	EA
VE16-12	Not Applicable	A-18358	Nut, Hex , 3/8" Z/P <i>Tuerca Hexagonal, 3/8"</i>	EA
VE16-13	Not Applicable	A-18374	Screw, Hex Head Cap, 3/8" x 3/4" <i>Tornillo con Cabeza Hexagonal, 3/8" x 3/4"</i>	EA
VE16-14	(22513001) (555024A)	A-18356	Washer, Regular Flat 3/8", Plated <i>Arandela Plana, 3/8"</i>	EA
VE16-15	Not Applicable	A-18057	Support, Channel, 4" <i>Soporte de Cauce, 4"</i>	EA
VE16-16	Not Applicable	A-18375	Screw, Hex Head Cap, 3/8" x 1", Z/P <i>Tornillo con Cabeza Hexagonal, 3/8" x 1"</i>	EA
VE16-17	588034A	EE304580	Eyelet, Small Ceramic <i>Ojo Ceramico Chico</i>	EA



VE16-18	(588016) (216901) 021410008 218842A00 X021.410.008	EE380020	Roller, V-Groove Assembly <i>Conjunto de Rodillo "V"</i>	EA
VE16-19	215992A01 215793	EE303520	Plate, Bottom Channel <i>Placa Inferior</i>	EA
VE16-20	216935	EE303640	Support, Bottom Roller, 400 Gauge <i>Soporte par Rodillo Inferior, 400 Calibre</i>	EA
VE16-20A	(216935)	EE303640-1	Support, Bottom Roller, 600 Gauge <i>Soporte par Rodillo Inferior, 600 Calibre</i>	EA
VE16-21	(216901)	EE980042V	Ceramic Roller and Bracket with Replaceable Ball Bearing <i>Rodillo Ceramica para Rodamiento de Bolas y Soporte</i>	EA
VE16-22	Not Applicable	EE401830-1V	Double Tension Device (Capsules not included) <i>Dispositivo de doble tensión (no se incluyen las cápsulas)</i>	EA

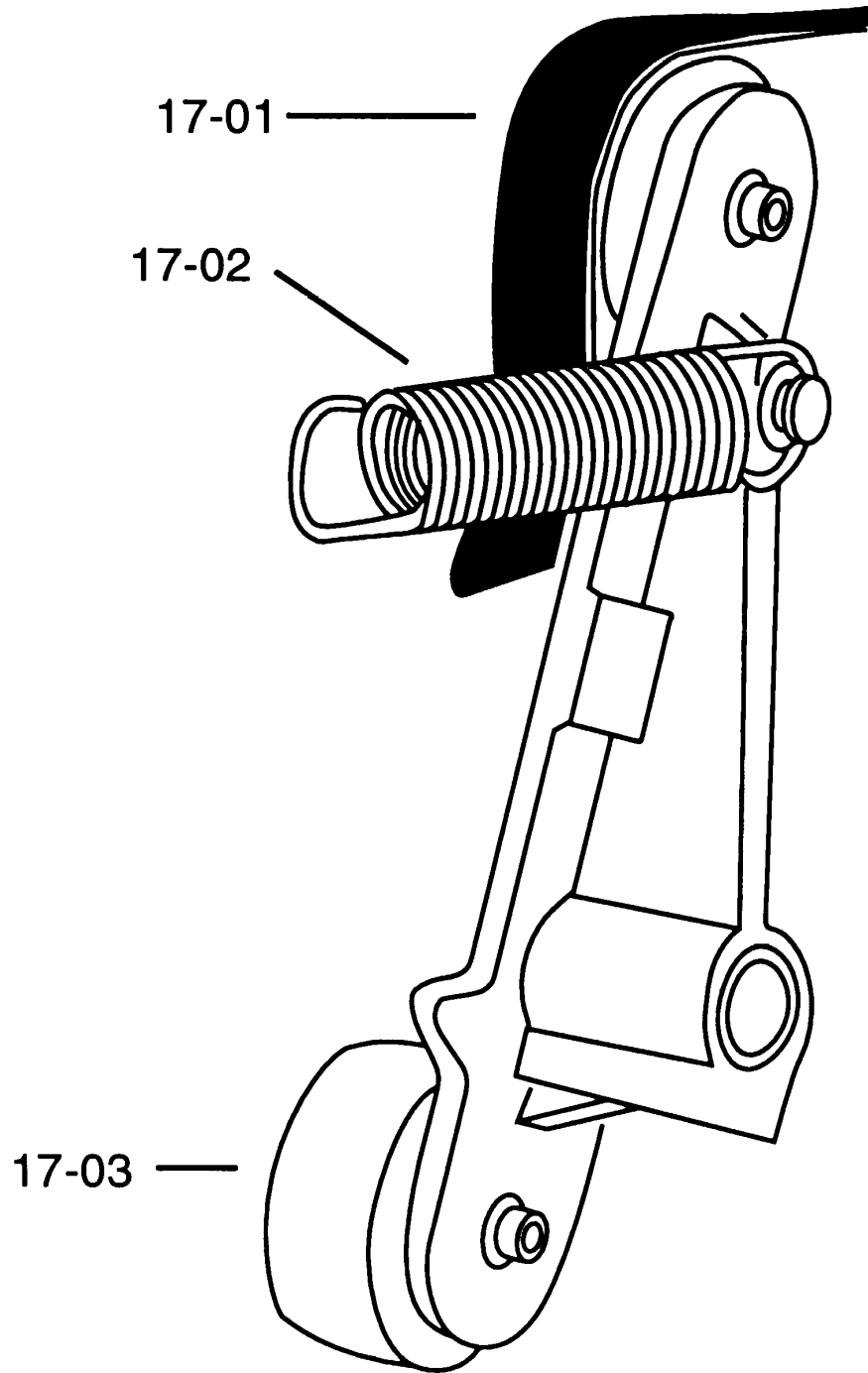
Epic products are intended as replacements for worn or damaged parts in OEM products. OEM Part numbers in (parenthesis) indicate either 1) Improved design 2) the part serves the same function as the OEM part, but may differ from the OEM design, or 3) it is a component of an assembly where no OEM reference number is available, or 4) it is a repair service for the referenced OEM part.

EE is an Epic trademark designating Epic parts

Verdol is a trademark of Rieter/ ICBT

© Epic Enterprises, March 2008





SPINDLE DRIVE COMPONENTS FOR VERDOL
COMPONENTES DE MANDO DE HUSO PARA VERDOL



Position	OEM Ref. Nos.	Epic No.	Description	UOM
VE17-01	574093A 574061A 935283 935112	EE304320	Tape, Spindle Drive, .75X112" (19mmX2845mm) <i>Cinta de Mando de Huso, 19mmX2845mm</i>	EA
VE17-01B	(331593) (331631) 574128B 574120B	EE304340	Tape, Spindle Drive, .63 X 40.5" (16mmX1030mm), 450 and ICBT <i>Cinta de Mando, 16mmX1030mm, 450 y ICBT</i>	EA
VE17-01C	574137A	EE304344	Tape, Spindle Drive, .75X120" (20mmX3040mm) <i>Cinta de Mando, 20mmX3040mm</i>	EA
VE17-02	116039	EE301990	Spring, Spindle Tape Tension <i>Resorte de Tenson para Cinta de Mando del Huso</i>	EA
VE17-03	(021101039) 311605 582189A 576025A BSR51	EE304390	Pulley, Tape Tension (50mm) for Model 450 <i>Polea Tensor para Cinto de Mando, 450, 50mm</i>	EA
VE17-03A	(021101039)	EE309125	Pulley, Heavy Duty Tape Tension, for ICBT and Verdol 450 <i>Polea, tensión resistente de la cinta, para ICBT y Verdol 450</i>	EA
VE17-03B	5700000 576026S BSR72	EE304400	Pulley, Tape Tension (70mm) for Model 400 & 500 <i>Polea Tensor para Cinto de Mando 400 & 500, 70mm</i>	EA

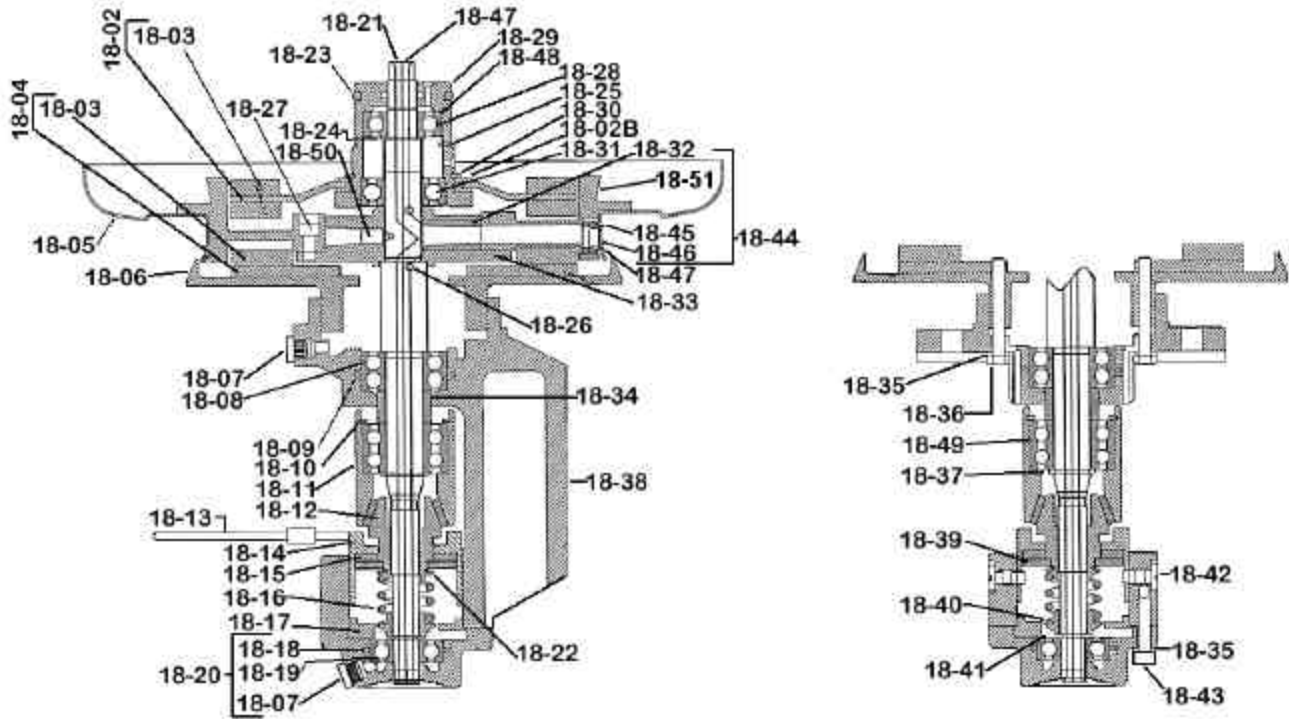
Epic products are intended as replacements for worn or damaged parts in OEM products. OEM Part numbers in (parenthesis) indicate either 1) Improved design 2) the part serves the same function as the OEM part, but may differ from the OEM design, or 3) it is a component of an assembly where no OEM reference number is available, or 4) it is a repair service for the referenced OEM part.

EE is an Epic trademark designating Epic parts

Verdol is a trademark of Rieter/ ICBT

© Epic Enterprises, March 2008





SPINDLE ASSEMBLY, VERDOL, R MAGNETIC
CONJUNTO DE HUSO, VERDOL, R MAGNETICO

Epic Enterprises, Inc., P.O. Box 979, Southern Pines, NC 28388-0979 USA
Telephone Toll Free 800-648-7273 or 910-692-5441 Outside USA
Fax Toll Free 888-692-4147 or 910-692-4147 Outside USA
Website: <http://www.epicenterprises.com> E-Mail: epic@epicenterprises.com



Position	OEM Ref. Nos.	Epic No.	Description	UOM
VE18-01	Not Applicable	EE305546-1	RM Spindle, New, Complete with 260 X 160 Disc Assembly <i>Huso, RM, Nuevo para 260 X 160 Disco Ensamble (con Disco)</i>	EA
VE18-01A	152282A00	EE305546	RM Spindle, New, Complete with 260 X 175 Disc Assembly <i>Huso, RM, Nuevo para 260 X 175 Disco Ensamble (con Disco)</i>	EA
VE18-01B	Not Applicable	EE305544-1	Spindle, RM, New for 260 X 160 Disc Assembly without Disc <i>Huso, RM, Nuevo para 260 X 160 Disco Ensamble (sin Disco)</i>	EA
VE18-01C	Not Applicable	EE305544	Spindle, RM, New for 260 X 175 Disc Assembly without Disc <i>Huso, RM, Nuevo para 260 X 175 Disco Ensamble (sin Disco)</i>	EA
VE18-01D	(152389A01) (152280AR)	EE304842	Spindle, Rebuild Customer RM Assembly Complete CALL EPIC FOR PRICING <i>Renovar RM Huso de Cliente EPOPEYA DE LA LLAMADA PARA TASAR</i>	EA
VE18-01E	(152389A01) (152280AR)	EE304842-1	Spindle Assembly, RM, Complete, Rebuilt for Exchange CALL EPIC FOR PRICING <i>Conjunto Completo de "RM" Huso para Cambio EPOPEYA DE LA LLAMADA PARA TASAR</i>	EA
VE18-01F	(152280A00) (152044A01)	EE309057	Cost to Replace Customer Hub in RM or N Disc & Balance <i>Reemplazo Balanzo Cubo de Cliente en Disco RM & N</i>	EA
VE18-02	(92002000) 021084118 152160B00 152160A01 152160C00 92012202 X021084118	EE380144	Plate, Upper Magnet, with Magnets for Verdol Spindles, RM, F44, & ICBT <i>Placa Superior de Imanes para Husos Verdol RM, F44, y ICBT</i>	EA



VE18-02A	(9201220) (152160C00)	EE380144-1	Plate, Upper Magnet, with Magnet & Grommet for Verdol Spindles, RM, F44, & ICBT <i>Placa Superior de Imanes con Imanes y Anillo Plastico para Husos Verdol RM, F44 y ICBT</i>	EA
VE18-02B	000103 119413A00 92012401	EE380142	Grommet, Urethane, for Magnet Plate, Verdol RM, F44 & ICBT <i>Anillo Plastico para Placa de Imanes, Verdol RM, F44 y ICBT</i>	EA
VE18-03	(92061802) 152030C 52030C00 92001802 920001800	EE380141	Magnet, for Verdol F44, RM and ICBT <i>Iman para Verdol RM, F44 y ICBT</i>	EA
VE18-04	152158B01 152158A01 90201702 X021.084.118	EE380148	Plate, Lower Magnet, with Magnets for Verdol RM, F44 Spindle <i>Placa Inferior con Imanes para Husos de Verdol, RM y F44</i>	EA
VE18-06	(201155B) 021084048 152272C X021084048 X021.084.048	EE303217	Deflector, Small, for RM, Original Type, 160mm Reserve Discs <i>Placa de Deflexion para RM, Tipo Original, 160mm</i>	EA
VE18-06A	(201155C) 021084047 152272B X021084047 X021.084.047	EE303216	Deflector, Large, for RM, Original Type, 175mm Reserve Discs <i>Placa de Deflexion para RM, Tipo Original, 175mm</i>	EA
VE18-07	354797 581057A	EE309090	Fitting, Grease, for Verdol Spindle Housing and Base Cap <i>Pieza de Grasa</i>	EA
VE18-08	3202 569028R	EE304222	Bearing, R Spindle Housing, Double Seal, 3202.2RS <i>Rodamiento Doble de Bolas para Caja de Huso "R"</i>	EA
VE18-09	318580 581158C R26PC85LJF X318580	EE304540	O-Ring for Spindle Housing <i>Anillo "O" para Caja de Huso</i>	EA
VE18-10	558027A C2035	EE304020	Ring, R Whorl Retaining (35l or C2.035) <i>Retenador Internal, 35mm</i>	EA



VE18-11	151972A	EE303000	Housing, R or RM Whorl,40mm <i>Caja de Nuez R y RM, 40mm</i>	EA
VE18-12	152053B	EE303140-4	Clutch Cone Assembly, BRONZE, SA <i>Cono Completo de Bronce para Freno, "SA"</i>	EA
VE18-13	151788A01	EE302720	Wire Handle Assembly <i>Conjunto de Asa de Alambre</i>	EA
VE18-14	151975B 151975B00 151975	EE303060	Sleeve, R Cam (Hardened) (Does Not Require Wear Pad) <i>Manga Endurecida para Cerrojo sin Cojincillode Uso</i>	EA
VE18-14A	151975B	EE303080	Sleeve, R Cam (Hardened) with Hardened Cam Screws <i>Manga Endureada para Cerrojo "R" con Tornillos de Cerrojo</i>	EA
VE18-14B	151975A	EE303082	Sleeve, R Cam (Hardened) With Wear Pad <i>Manga Endureaida para Cerrojo "R" con Cojincillo de USO</i>	EA
VE18-14C	151975C	EE303084	Sleeve, R Cam (Hardened) with Wear Pad and Hardened Screws <i>Manga Endurecida para Cerrojo "R" con Cojincillo de Uso</i>	EA
VE18-15	(152082A00)	EE303064	Pad, Wear for EE303082 or EE303084 <i>Cojincillo de Uso para EE303082 or EE303084</i>	EA
VE18-16	(117143A00) 117068 92501003 X92501003	EE302040	Spring, Spindle for R, U, & G Spindle (also used for Balloon Centering Guide) <i>Resorte para Husos R, U & G y Guia de Balon</i>	EA
VE18-17	152074A	EE303160	Cover, Dust, Plastic <i>Protector Plastico de Polvo</i>	EA
VE18-18	318597 581012C	EE304480	O-Ring, R Base <i>Anillo "O" para Huso Inferior "R"</i>	EA
VE18-19	569063S	EE304260	Bearing, R& RM Spindle Base, 6200 (Open) <i>Rodamiento de Bolas 6200 para Huso Inferior, "R" y "RM"</i>	EA



VE18-19A	(569063S)	EE304262	Bearing, R & RM Spindle Base, 6200-2RS, (Double Seal) <i>Rodamiento de Bolas 6200 para Huso Inferior, "R" y "RM"</i>	EA
VE18-19B	(569063S)	EE304262-1	Bearing, R & RM Spindle Base, 6200-2RS, (Double Seal), SKF <i>Rodamiento de Bolas 6200 para Huso Inferior, "R" y "RM", SKF</i>	EA
VE18-20	152087A01 151976A01	EE303180	Cap, Bottom Housing, with O-Ring & Grease Fitting <i>Cubierta Inferior de Caja con Anillo "O" y Pieza de Grasa</i>	EA
VE18-21	(152276C) (152276A00) (152276A01)	EE303220	Axle, RM Spindle <i>Eje para Huso "RM"</i>	EA
VE18-21A	(152276A00) (152276A01)	EE303220-1	Axle, RM Spindle (With Hardened Splines) <i>Eje para Huso "RM" con Panaras Endurecidas</i>	EA
VE18-22	212408 558006A C1016	EE304040	Ring, External Retaining, 16mm (16E or C1.016) <i>Retenador External, 16mm (16E or C1.016)</i>	EA
VE18-23	318598 581013B R24PB701	EE304500	O-Ring, Top Bearing Upper <i>Anillo "O" Superior</i>	EA
VE18-24	212664 580109A	EE304448	Washer, Spacer, for RM, F44 & ICBT N Spindle <i>Arandela para Huso RM, F44 y ICBT N</i>	EA
VE18-25	123007A 92001500	EE380164	Wire Keeper for RM, F44 & ICBT N Spindle <i>Guardi an de Alambre de Husos RM y F-44 y ICBT N</i>	EA
VE18-27	Not Applicable	EE430210V	Screw, Socket Head Cap 5X10 <i>Tornillo con Cabeza Cilindrica Hueca 5X10</i>	EA
VE18-28	301642 569082D 6201ZC3	EE304300	Bearing, N Spindle, 450, 6201ZC3 <i>Rodamiento de Bolas 6201ZC3 para Huso 450 N</i>	EA



VE18-28A	(569082D) 62012ZC3HT51	EE304300-1	Bearing, Ball, with two metal shields, 62012ZC3HT51 SKF <i>Rodamiento de Bolas 62012ZC3HT51 SKF</i>	EA
VE18-29	152279A00	EE380165	Bearing Housing, Upper, for RM & F44 Spindle <i>Coja para Rodiamento de Bolas para RM y F44 Huso</i>	EA
VE18-30	212214 558082A	EE434228V	Ring, External Retaining, 42X1.75 <i>Anillo de Retencion Exterior, 42X1.75</i>	EA
VE18-31	569081D	EE304280	Bearing, Ball, 6202ZZ <i>Rodamiento de Bolas 6202ZZ</i>	EA
VE18-32	205202B03	EE380159	Eyelet, Entry, RM & F44 <i>Ojete de Entrada, RM y F44</i>	EA
VE18-33	(152278A00)	EE380167	Hub, Aluminum, for RM & F44 Spindle <i>Cubo de Aluminio para Huso "RM" y "F44"</i>	EA
VE18-34	152045A00	EE303120	Spacer, for R and RM Spindles <i>Espaciador para Husos R y RM</i>	EA
VE18-35	22520201 555048A DE5	EE303860	Washer, External Serrated Lock, 5mm (Unplated) <i>Arandela Dentado External, 5mm</i>	EA
VE18-36	520024A HM5X40	EE303720-1	Screw, Hex Head Cap, 5X40 <i>Tornillo Hexagonal, 5X40</i>	EA
VE18-37	558005A C1015	EE303900	Ring, External, Retaining, (15E or C1.015) <i>Retenader External, (15E or C1.015)</i>	EA
VE18-38	(151981A00) (151966A03)	EE340036	Housing, R and RM Spindle <i>Caja para Huso R y RM</i>	EA
VE18-38A	152152A 151981A00 151966A03	EE340036-1	Housing, R and RM Spindle with Dust Ring <i>Caja para Huso R y RM con Protector de Polvo</i>	EA
VE18-39	151973A	EE303020	Washer, Steel, for R, RM & F44 Spindle <i>Arandela Acero para Husos R, RM y F44</i>	EA
VE18-40	151974A03	EE303040	Spacer, Spring <i>Espacador - Resorte</i>	EA



VE18-41	212671 558002A C1010	EE303880	Ring, External Retaining, (10E or C1.010) <i>Retenador External, (10E or C1.010)</i>	EA
VE18-42	120002H	EE302280	Screw, Hardened Cam <i>Tornillo Endurecido para Cerrojo</i>	EA
VE18-43	20283401 524509B HICM5X16	EE303760	Screw, Socket Head Cap, 5X16 <i>Tornillo Cilindrico, 5X16</i>	EA
VE18-44	021084028 032084002 920252000	EE340051	Disc and Reserve Assembly, Stainless, 280 X 200mm, ICBT <i>Disco de Acero Inoxidable de Huso Conjunto, 280 X 200 mm, ICBT</i>	EA
VE18-44A	201100A02	EE340066	Disc and Reserve Assembly, Stainless, 280 X 200, Low Profile, ICBT CD/DT, Verdol 400/500/600 <i>Conjunto de Disco de Acero Inoxidabley Reserva para Huso ICBT CD/DT y Verdol 400/500/600 (perfil bajo)</i>	EA
VE18-44B	021084003 201119B 201119C X021084003	EE340021	Disc and Reserve Assembly, Stainless, 260 X 160mm for RM, F44 and ICBT <i>Conjunto de Disco de Acero Inoxidabley Reserva para Huso RM, F44, y ICBT,</i>	EA
VE18-44C	230119 201077B 201077A	EE340045	Disc and Reserve Assembly, Stainless, 260 X 175mm, RM, F44 & ICBT <i>Asamblea inoxidable del disco y de la reserva completa, 260 X 175, RM, F44 & ICBT</i>	EA
VE18-45	152174A00 205218G00 92003000	EE309040	Eyelet, Ceramic, for Reserve Disc <i>Ojo Ceromico para Disco de Reserva</i>	EA
VE18-46	220240A00 92003100 92003101	EE380059	Eyelet Retaining Piece for Hub/Reserve <i>Retenador para Ojo para Reserva</i>	EA
VE18-47	(581021C) 318581	EE309044	O-Ring 9.5 X 1.5mm <i>Anillo "O", 9.5 X 1.5mm</i>	EA
VE18-48	22534701 580006A	EE380166	Washer, Wave, for RM, F44 & ICBT N Spindle <i>Arandela para RM, F44 & ICBT N Huso</i>	EA
VE18-49	(440114C)-SKF 569061B DF0213LLU/15A	EE304242	Bearing, R Whorl, NTN <i>Rodamiento Doble de Bolas para Nuez R</i>	EA



VE18-50	2034301 536028B 536604B 950612	EE303780	Screw, Hex Socket Cone Point Set, 6X12 <i>Prisionero Cabeza Hexagonal Hueca con Punta Conica, 6X12</i>	EA
VE18-51	(021084028)	EE309102	Repair, ICBT or RM/F44 Spindle Disc Assembly, 280X200mm, with New Mounting Hub (EE340050) and Balance <i>Reparación, asamblea del disco del huso ICBT o RM/F44, 280X200m m, con el cubo nuevo del montaje (EE340050) y el balance</i>	EA
VE18-51A	(201078F)	EE340044	Repair, ICBT or Verdol RM/F44 Spindle Disc Assembly, 260X160, with New Mounting Hub (EE340022) and Balance <i>Reparación, asamblea del disco del huso de ICBT o de Verdol RM/F44, 260X160, con el cubo nuevo del montaje (EE340022) y el balance</i>	EA
VE18-51B	Not Applicable	EE340068	Repair, ICBT or Verdol RM/F44 Spindle Disc Assembly, 260X175, with New Mounting Hub (EE340047) and Balance <i>Reparación, asamblea del disco del huso de ICBT o de Verdol RM/F44, 260X175, con el cubo nuevo del montaje (EE340047) y el balance</i>	EA
VE18-51C	(92025200) (X92025200) (021084028)	EE340048	Repair, of Threading Channel 200mm, and Balance <i>Repare, de roscar el canal 200m m, y de balance</i>	EA
VE18-51D	(201078F)	EE340011	Repair of Threading Channel 160 & 175mm, and Balance <i>Reparación de roscar el canal 160 y 175m m, y balance</i>	EA
VE18-51E	(201100B00)	EE309123	Repair Threading Channel with 10mm Stainless Steel Tube and Rebalance; 280 X 200mm Disc Assembly, ICBT N and Verdol RM & F44 <i>Reparar & Balancear Comino de Hilo de Cubo de Huso ICBT N y Verdol RM y F44 (280 X 200mm)</i>	EA



VE18-51F	Not Applicable	EE309124	Repair Threading Channel with 10mm Stainless Steel Tube and Rebalance; 260 X 175mm Disc Assembly, ICBT N and Verdol RM & F44 <i>Reparar & Balancear Comino de Hilo de Cubo de Huso ICBT N y Verdol RM y F44 (260X175mm)</i>	EA
----------	----------------	----------	---	----

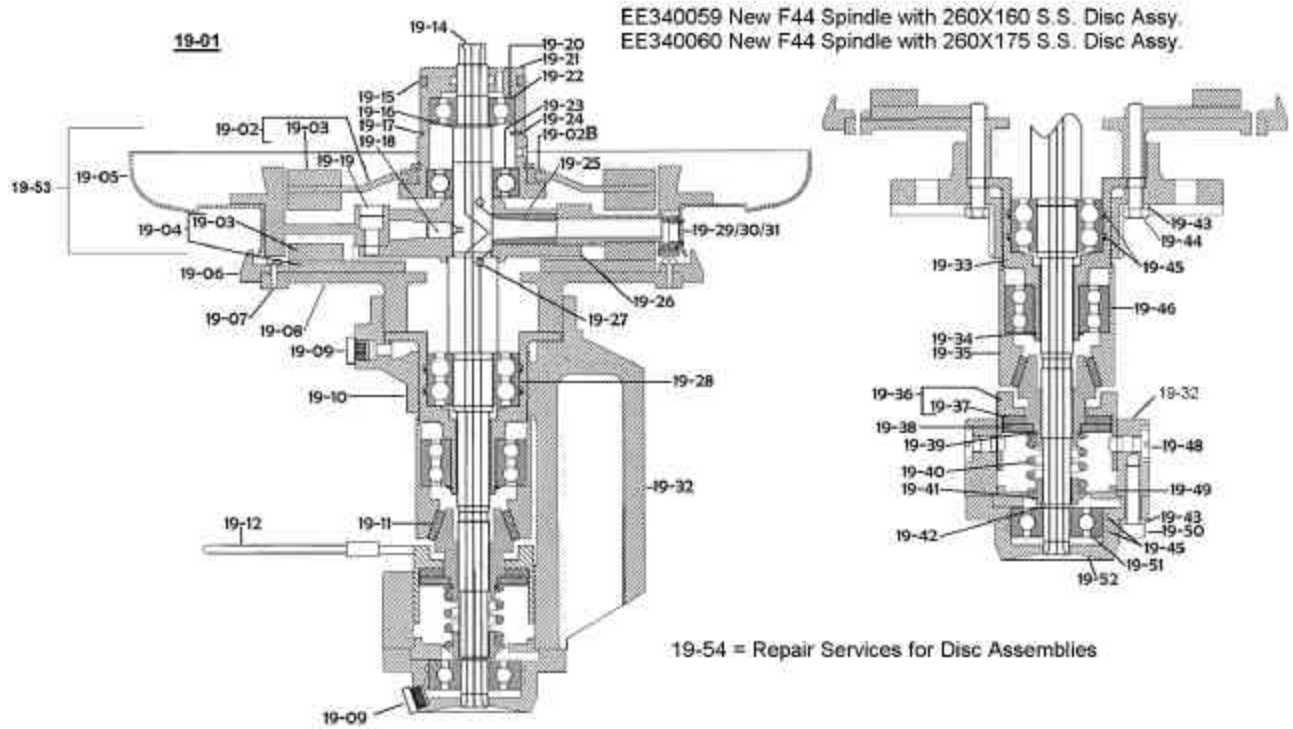
Epic products are intended as replacements for worn or damaged parts in OEM products. OEM Part numbers in (parenthesis) indicate either 1) Improved design 2) the part serves the same function as the OEM part, but may differ from the OEM design, or 3) it is a component of an assembly where no OEM reference number is available, or 4) it is a repair service for the referenced OEM part.

EE is an Epic trademark designating Epic parts

Verdol is a trademark of Rieter/ ICBT

© Epic Enterprises, March 2008





SPINDLE ASSEMBLY, VERDOL, F44 MAGNETIC
CONJUNTO DE HUSO, VERDOL, F44 MAGNETICO

Epic Enterprises, Inc., P.O. Box 979, Southern Pines, NC 28388-0979 USA
Telephone Toll Free 800-648-7273 or 910-692-5441 Outside USA
Fax Toll Free 888-692-4147 or 910-692-4147 Outside USA
Website: <http://www.epicenterprises.com> E-Mail: epic@epicenterprises.com



Position	OEM Ref. Nos.	Epic No.	Description	UOM
VE19-01	Not Applicable	EE340059	Spindle Assembly Complete, New, F44 with 260X160 Disc Assembly, Stainless Steel <i>Asamblea del huso completa, nuevo, F44 con la asamblea del disco 260X160, acero inoxidable</i>	EA
VE19-01A	Not Applicable	EE340060	Spindle Assembly Complete, New, F44 with 260X175 Disc Assembly, Stainless Steel <i>Asamblea del huso completa, nuevo, F44 con la asamblea del disco 260X175, acero inoxidable</i>	EA
VE19-01B	Not Applicable	EE340057	Spindle Assembly, New, F44 without Disc Assembly, with Deflector for 160mm Reserve <i>Asamblea del huso, nueva, F44 sin asamblea del disco, con la desviación para la reserva de 160mm</i>	EA
VE19-01C	Not Applicable	EE340058	Spindle Assembly, New, F44 without Disc Assembly, with Deflector for 175mm Reserve <i>Asamblea del huso, nueva, F44 sin asamblea del disco, con la desviación para la reserva de 175mm</i>	EA
VE19-01D	(92009000)	EE309045	Spindle, Rebuild Customer F44 CALL EPIC FOR PRICING <i>Reedificar Huso F44 de Cliente EPOPEYA DE LA LLAMADA PARA TASAR</i>	EA
VE19-02	(92002000) 021084118 152160B00 152160A01 152160C00 92012202 X021084118	EE380144	Plate, Upper Magnet, with Magnets for Verdol Spindles, RM, F44, & ICBT <i>Placa Superior de Imanes para Husos Verdol RM, F44, y ICBT</i>	EA
VE19-02A	(9201220) (152160C00)	EE380144-1	Plate, Upper Magnet, with Magnet & Grommet for Verdol Spindles, RM, F44, & ICBT <i>Placa Superior de Imanes con Imanes y Anillo Plastico para Husos Verdol RM, F44 y ICBT</i>	EA



VE19-02B	000103 119413A00 92012401	EE380142	Grommet, Urethane, for Magnet Plate, Verdol RM, F44 & ICBT <i>Anillo Plastico para Placa de Imanes, Verdol RM, F44 y ICBT</i>	EA
VE19-03	(92061802) 152030C 52030C00 92001802 920001800	EE380141	Magnet, for Verdol F44, RM and ICBT <i>Iman para Verdol RM, F44 y ICBT</i>	EA
VE19-04	152158B01 152158A01 90201702 X021.084.118	EE380148	Plate, Lower Magnet, with Magnets for Verdol RM, F44 Spindle <i>Placa Inferior con Imanes para Husos de Verdol, RM y F44</i>	EA
VE19-05C	Not Applicable	EE309135	Polish Customer's Verdol/ICBT 260mm Stainless Steel Spindle Disc <i>Disco Del Huso Del Acero Inoxidable De Verdol/ICBT 260m m Del Cliente Polaco</i>	EA
VE19-06	(201155C) (92004800)	EE303217-1	Deflector with Hub, 160mm, for New Type F44 Spindle <i>Desviación con el cubo, 160m m, para el nuevo tipo huso de F44</i>	EA
VE19-06A	(201155B) (92004800)	EE303216-2	Deflector with Hub, 175mm, for New Type F44 Spindle <i>Desviación con el cubo, 175mm, para el nuevo tipo huso de F44</i>	EA
VE19-06A	(201155C) 021084047 152272B X021084047 X021.084.047	EE303216	Deflector, Large, for RM, Original Type, 175mm Reserve Discs <i>Placa de Deflexion para RM, Tipo Original, 175mm</i>	EA
VE19-07	22294106 562500A	EE438000V	Screw, Slotted Pan Head Tapping, 2.9x9.5 <i>Tornillo de Golpe con Cabeza Cilindrica Ranurada, 2.9x9.5</i>	EA
VE19-09	354797 581057A	EE309090	Fitting, Grease, for Verdol Spindle Housing and Base Cap <i>Pieza de Grasa</i>	EA
VE19-10	301331	EE309047	Bearing, F44 Housing (NTN) <i>Rodeamiento para Caja Inferior de Huso F44</i>	EA



VE19-11	152053B	EE303140-4	Clutch Cone Assembly, BRONZE, SA <i>Cono Completo de Bronce para Freno, "SA"</i>	EA
VE19-12	151788A01	EE302720	Wire Handle Assembly <i>Conjunto de Asa de Alambre</i>	EA
VE19-14	(152276C00)	EE303221	Axle, F44 Spindle (With Hardened Spline) <i>Eje para Huso F44 con Panaras Endurecidas</i>	EA
VE19-15	318598 581013B R24PB701	EE304500	O-Ring, Top Bearing Upper <i>Anillo "O" Superior</i>	EA
VE19-16	212664 580109A	EE304448	Washer, Spacer, for RM, F44 & ICBT N Spindle <i>Arandela para Huso RM, F44 y ICBT N</i>	EA
VE19-17	123007A 92001500	EE380164	Wire Keeper for RM, F44 & ICBT N Spindle <i>Guardi an de Alambre de Husos RM y F- 44 y ICBT N</i>	EA
VE19-18	2034301 536028B 536604B 950612	EE303780	Screw, Hex Socket Cone Point Set, 6X12 <i>Prisionero Cabeza Hexagonal Hueca con Punta Conica, 6X12</i>	EA
VE19-19	Not Applicable	EE430210V	Screw, Socket Head Cap 5X10 <i>Tornillo con Cabeza Cilindrica Hueca 5X10</i>	EA
VE19-20	301642 569082D 6201ZC3	EE304300	Bearing, N Spindle, 450, 6201ZC3 <i>Rodamiento de Bolas 6201ZC3 para Huso 450 N</i>	EA
VE19-20A	(569082D) 62012ZC3HT51	EE304300-1	Bearing, Ball, with two metal shields, 62012ZC3HT51 SKF <i>Rodamiento de Bolas 62012ZC3HT51 SKF</i>	EA
VE19-21	152279A00	EE380165	Bearing Housing, Upper, for RM & F44 Spindle <i>Coja para Rodiamento de Bolas para RM y F44 Huso</i>	EA
VE19-22	22534701 580006A	EE380166	Washer, Wave, for RM, F44 & ICBT N Spindle <i>Arandela para RM, F44 & ICBT N Huso</i>	EA



VE19-23	569081D	EE304280	Bearing, Ball, 6202ZZ <i>Rodamiento de Bolas 6202ZZ</i>	EA
VE19-24	212214 558082A	EE434228V	Ring, External Retaining, 42X1.75 <i>Anillo de Retencion Exterior, 42X1.75</i>	EA
VE19-25	205202B03	EE380159	Eyelet, Entry, RM & F44 <i>Ojete de Entrada, RM y F44</i>	EA
VE19-26	(152278A00)	EE380167	Hub, Aluminum, for RM & F44 Spindle <i>Cubo de Aluminio para Huso "RM" y "F44"</i>	EA
VE19-29	152174A00 205218G00 92003000	EE309040	Eyelet, Ceramic, for Reserve Disc <i>Ojo Ceromico para Disco de Reserva</i>	EA
VE19-30	220240A00 92003100 92003101	EE380059	Eyelet Retaining Piece for Hub/Reserve <i>Retenador para Ojo para Reserva</i>	EA
VE19-31	(581021C) 318581	EE309044	O-Ring 9.5 X 1.5mm <i>Anillo "O", 9.5 X 1.5mm</i>	EA
VE19-32	92004700	EE340069	Housing, New F44 Spindle, with Grease Fitting <i>Caja de Huso F44 con Pieza de Grasa</i>	EA
VE19-33	152385A02	EE380130	Sleeve, F44 Spindle Bearing Housing (152385A02), Old Style (Small Flange) (Use with VE19-06 and VE19-06B) <i>Manga, Cubierta De Cojinete Del Huso F44 (152385A02), Viejo Estilo (Reborde Pequeño)</i>	EA
VE19-33A	92004602	EE380219	Sleeve for F44 Spindle Housing, New Style (Use with VE19-06A and VE19-06C) <i>Manga para la cubierta del huso F44, nuevo estilo</i>	EA
VE19-34	Not Applicable	EE434205V	Ring, External Retaining, 17X1 <i>Anillo de Retencion Exterior, 17x1</i>	EA
VE19-35	151972B01	EE380108	Whorl, for F44 Spindle <i>Nuez para Huso F44</i>	EA
VE19-36	151975B 151975B00 151975	EE303060	Sleeve, R Cam (Hardened) (Does Not Require Wear Pad) <i>Manga Endurecida para Cerrojo sin Cojincillode Uso</i>	EA



VE19-36A	151975B	EE303080	Sleeve, R Cam (Hardened) with Hardened Cam Screws <i>Manga Endureada para Cerrojo "R" con Tornillos de Cerrojo</i>	EA
VE19-36B	151975A	EE303082	Sleeve, R Cam (Hardened) With Wear Pad <i>Manga Endureada para Cerrojo "R" con Cojincillo de USO</i>	EA
VE19-36C	151975C	EE303084	Sleeve, R Cam (Hardened) with Wear Pad and Hardened Screws <i>Manga Endurecida para Cerrojo "R" con Cojincillo de Uso</i>	EA
VE19-37	(152082A00)	EE303064	Pad, Wear for EE303082 or EE303084 <i>Cojincillo de Uso para EE303082 or EE303084</i>	EA
VE19-38	151973A	EE303020	Washer, Steel, for R, RM & F44 Spindle <i>Arandela Acero para Husos R, RM y F44</i>	EA
VE19-39	212408 558006A C1016	EE304040	Ring, External Retaining, 16mm (16E or C1.016) <i>Retenador External, 16mm (16E or C1.016)</i>	EA
VE19-40	(117143A00) 117068 92501003 X92501003	EE302040	Spring, Spindle for R, U, & G Spindle (also used for Balloon Centering Guide) <i>Resorte para Husos R, U & G y Guia de Balon</i>	EA
VE19-41	151974A03	EE303040	Spacer, Spring <i>Espacador - Resorte</i>	EA
VE19-42	212671 558002A C1010	EE303880	Ring, External Retaining, (10E or C1.010) <i>Retenador External, (10E or C1.010)</i>	EA
VE19-43	22520201 555048A DE5	EE303860	Washer, External Serrated Lock, 5mm (Unplated) <i>Arandela Dentado External, 5mm</i>	EA
VE19-44	520024A HM5X40	EE303720-1	Screw, Hex Head Cap, 5X40 <i>Tornillo Hexagonal, 5X40</i>	EA
VE19-45	318603 581188C	EE304530	O-Ring 35 X 1.6 <i>Anillo "O", 35 X 1.6</i>	EA
VE19-45A	318597 581012C	EE304480	O-Ring, R Base <i>Anillo "O" para Huso Inferior "R"</i>	EA



VE19-46	301634 569160D 569116D	EE304245	Bearing, Whorl, for F44, 63203 <i>Rodamiento de Bolas 63203 para Nuez F44</i>	EA
VE19-48	120002H	EE302280	Screw, Hardened Cam <i>Tornillo Endurecido para Cerrojo</i>	EA
VE19-49	152074A	EE303160	Cover, Dust, Plastic <i>Protector Plastico de Polvo</i>	EA
VE19-50	20283401 524509B HICM5X16	EE303760	Screw, Socket Head Cap, 5X16 <i>Tornillo Cilindrico, 5X16</i>	EA
VE19-51	569103D	EE309046	Bearing, F44 Bottom Housing (6300) <i>Rodamiento para Caja Inferior de Huso F44</i>	EA
VE19-51A	569063S	EE304260	Bearing, R& RM Spindle Base, 6200 (Open) <i>Rodamiento de Bolas 6200 para Huso Inferior, "R" y "RM"</i>	EA
VE19-52	93007400	EE380225	Cap, Bottom Housing, with O-Rings and Grease Fitting, F44 <i>Casquillo, cubierta inferior, con los anillos o y la guarnición de la grasa, F44</i>	EA
VE19-52A	152087A01 151976A01	EE303180	Cap, Bottom Housing, with O-Ring & Grease Fitting <i>Cubierta Inferior de Caja con Anillo "O" y Pieza de Grasa</i>	EA
VE19-53	021084028 032084002 920252000	EE340051	Disc and Reserve Assembly, Stainless, 280 X 200mm, ICBT <i>Disco de Acero Inoxidable de Huso Conjunto, 280 X 200 mm, ICBT</i>	EA
VE19-53A	201100A02	EE340066	Disc and Reserve Assembly, Stainless, 280 X 200, Low Profile, ICBT CD/DT, Verdol 400/500/600 <i>Conjunto de Disco de Acero Inoxidabley Reserva para Huso ICBT CD/DT y Verdol 400/500/600 (perfil bajo)</i>	EA
VE19-53B	021084003 201119B 201119C X021084003	EE340021	Disc and Reserve Assembly, Stainless, 260 X 160mm for RM, F44 and ICBT <i>Conjunto de Disco de Acero Inoxidabley Reserva para Huso RM, F44, y ICBT,</i>	EA



VE19-53C	230119 201077B 201077A	EE340045	Disc and Reserve Assembly, Stainless, 260 X 175mm, RM, F44 & ICBT <i>Asamblea inoxidable del disco y de la reserva completa, 260 X 175, RM, F44 & ICBT</i>	EA
VE19-54	(021084028)	EE309102	Repair, ICBT or RM/F44 Spindle Disc Assembly, 280X200mm, with New Mounting Hub (EE340050) and Balance <i>Reparación, asamblea del disco del huso ICBT o RM/F44, 280X200m m, con el cubo nuevo del montaje (EE340050) y el balance</i>	EA
VE19-54A	(201078F)	EE340044	Repair, ICBT or Verdol RM/F44 Spindle Disc Assembly, 260X160, with New Mounting Hub (EE340022) and Balance <i>Reparación, asamblea del disco del huso de ICBT o de Verdol RM/F44, 260X160, con el cubo nuevo del montaje (EE340022) y el balance</i>	EA
VE19-54B	Not Applicable	EE340068	Repair, ICBT or Verdol RM/F44 Spindle Disc Assembly, 260X175, with New Mounting Hub (EE340047) and Balance <i>Reparación, asamblea del disco del huso de ICBT o de Verdol RM/F44, 260X175, con el cubo nuevo del montaje (EE340047) y el balance</i>	EA
VE19-54C	(92025200) (X92025200) (021084028)	EE340048	Repair, of Threading Channel 200mm, and Balance <i>Repare, de roscar el canal 200m m, y de balance</i>	EA
VE19-54D	(201078F)	EE340011	Repair of Threading Channel 160 & 175mm, and Balance <i>Reparación de roscar el canal 160 y 175m m, y balance</i>	EA
VE19-54E	(201100B00)	EE309123	Repair Threading Channel with 10mm Stainless Steel Tube and Rebalance; 280 X 200mm Disc Assembly, ICBT N and Verdol RM & F44 <i>Reparar & Balancear Comino de Hilo de Cubo de Huso ICBT N y Verdol RM y F44 (280 X 200mm)</i>	EA



VE19-54F	Not Applicable	EE309124	Repair Threading Channel with 10mm Stainless Steel Tube and Rebalance; 260 X 175mm Disc Assembly, ICBT N and Verdol RM & F44 <i>Reparar & Balancear Comino de Hilo de Cubo de Huso ICBT N y Verdol RM y F44 (260X175mm)</i>	EA
----------	----------------	----------	---	----

*EPIC CAN SUPPLY ONE PIECE VERSIONS AS EE303217 FOR 160MM AND EE303216 FOR 175MM.

**EPIC PUEDE SUPLIR VERSIONES DE UNA PIEZA PARA 160MM (EE303217) Y 175MM (EE303216).

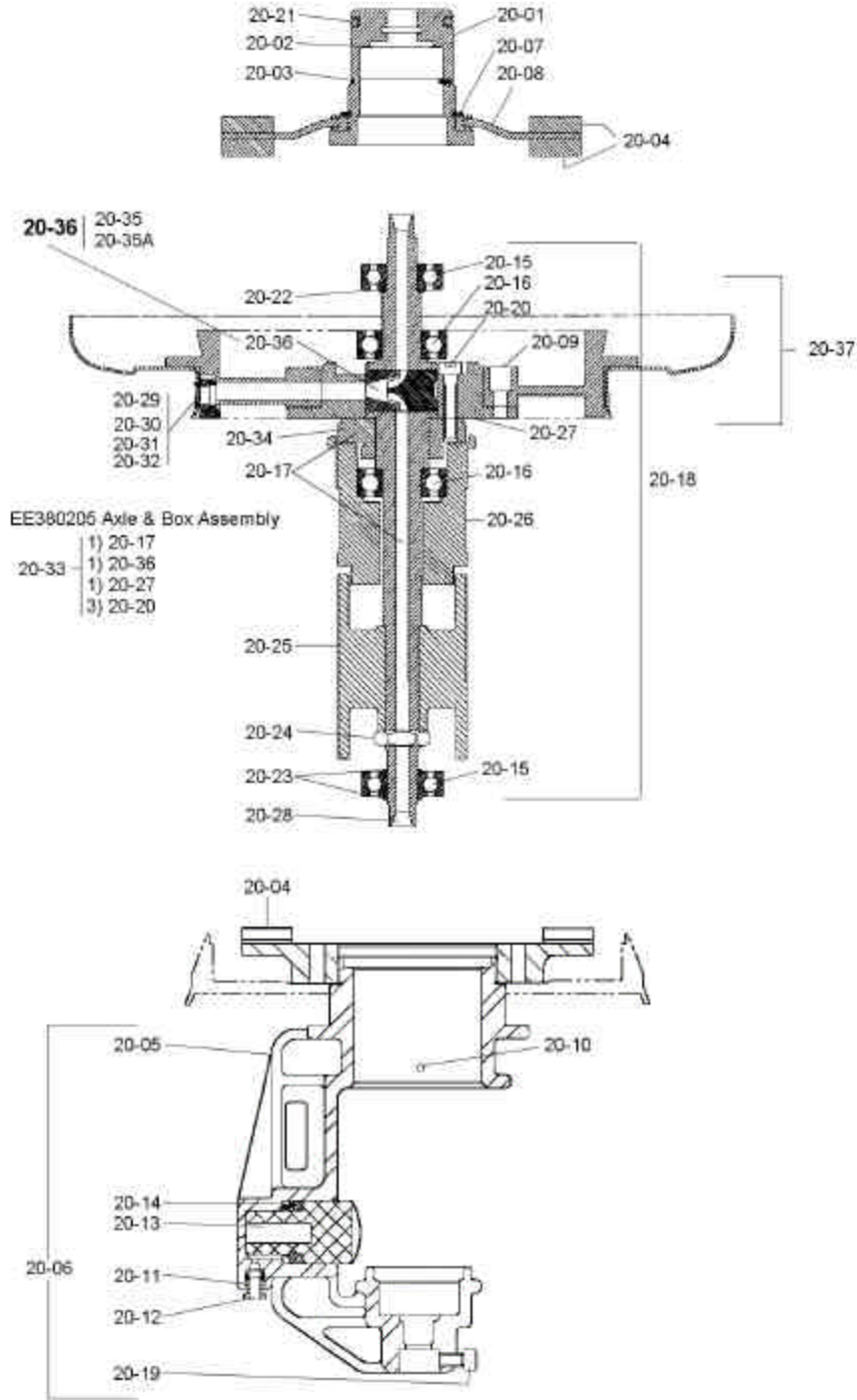
Epic products are intended as replacements for worn or damaged parts in OEM products. OEM Part numbers in (parenthesis) indicate either 1) Improved design 2) the part serves the same function as the OEM part, but may differ from the OEM design, or 3) it is a component of an assembly where no OEM reference number is available, or 4) it is a repair service for the referenced OEM part.

EE is an Epic trademark designating Epic parts

Verdol is a trademark of Rieter/ ICBT

© Epic Enterprises, March 2008





SPINDLE ASSEMBLY, ICBT, N MAGNETIC
CONJUNTO DE HUSO, ICBT, N MANETICO



Position	OEM Ref. Nos.	Epic No.	Description	UOM
VE20-00	Not Applicable	EE309122	Spindle Assembly, ICBT N, with Upper Bearing Housing Assembly, without Spindle Disc Assembly (FOR EXCHANGE) <i>Asamblea del huso, ICBT N, con la asamblea superior de cubierta de cojinete, sin asamblea del disco del huso (PARA EL INTERCAMBIO)</i>	EA
VE20-00A	(032084017)	EE309099	Rebuild Customer ICBT CD/DT; N Spindle CALL EPIC FOR PRICING <i>Reedificado Completo de Huso ICBT CD/DT; N Cliente EPOPEYA DE LA LLAMADA PARA TASAR</i>	EA
VE20-01	92003803	EE380168	Bearing Housing, Upper, for ICBT N Spindle (Shell Only- Old Style Housing - Does not include O-Ring - See EE340055 for Assembly) <i>Coja para Rodiamento de Bolas para ICBT N Huso</i>	EA
VE20-01A	(92003803) 92013401	EE340055	Bearing Housing Assembly, Upper, ICBT N Spindle (with O-Ring, Wave Washer and Wire Keeper--See EE380168 for Shell Only) <i>Asamblea De Cubierta De Cojinete, Alto, Huso de ICBT N</i>	EA
VE20-02	22534701 580006A	EE380166	Washer, Wave, for RM, F44 & ICBT N Spindle <i>Arandela para RM, F44 & ICBT N Huso</i>	EA
VE20-03	123007A 92001500	EE380164	Wire Keeper for RM, F44 & ICBT N Spindle <i>Guardi an de Alambre de Husos RM y F-44 y ICBT N</i>	EA
VE20-04	(92061802) 152030C 52030C00 92001802 920001800	EE380141	Magnet, for Verdol F44, RM and ICBT <i>Iman para Verdol RM, F44 y ICBT</i>	EA
VE20-07	212214 558082A	EE434228V	Ring, External Retaining, 42X1.75 <i>Anillo de Retencion Exterior, 42X1.75</i>	EA



VE20-08	(92002000) 021084118 152160B00 152160A01 152160C00 92012202 X021084118	EE380144	Plate, Upper Magnet, with Magnets for Verdol Spindles, RM, F44, & ICBT <i>Placa Superior de Imanes para Husos Verdol RM, F44, y ICBT</i>	EA
VE20-08A	(9201220) (152160C00)	EE380144-1	Plate, Upper Magnet, with Magnet & Grommet for Verdol Spindles, RM, F44, & ICBT <i>Placa Superior de Imanes con Imanes y Anillo Plastico para Husos Verdol RM, F44 y ICBT</i>	EA
VE20-08B	(92061802) 152030C 52030C00 92001802 920001800	EE380141	Magnet, for Verdol F44, RM and ICBT <i>Iman para Verdol RM, F44 y ICBT</i>	EA
VE20-08C	000103 119413A00 92012401	EE380142	Grommet, Urethane, for Magnet Plate, Verdol RM, F44 & ICBT <i>Anillo Plastico para Placa de Imanes, Verdol RM, F44 y ICBT</i>	EA
VE20-09	Not Applicable	EE401015V	Screw, Socket Head Cap, 5X12 <i>Tornillo con Cabeza Cilindrica Hueca, 5x12</i>	EA
VE20-10	20325701	EE331234	Screw, Hex Socket Flat Point Set, 10X25 <i>Opresor con Punta Plana, 10X25</i>	EA
VE20-13	92006602	EE380192	Brake Piston for ICBT N-Spindle <i>Freno Piston para ICBT N Huso</i>	EA
VE20-14	318669	EE380193	Seal Ring for Brake Piston, ICBT N-Spindle <i>Anillo Selladura para Freno Piston en ICBT N Huso</i>	EA
VE20-15	301650	EE305540	Bearing, Ball, 6201, for ICBT N Spindle <i>Rodamiento de Bolas para Huso N de ICBT</i>	EA
VE20-16	301651	EE305541	Bearing, Ball, 6202, for ICBT N Spindle <i>Rodamiento de Bolas para Huso N de ICBT</i>	EA
VE20-16A	569081D	EE304280	Bearing, Ball, 6202ZZ <i>Rodamiento de Bolas 6202ZZ</i>	EA



VE20-16B	(569082D) 62012ZC3HT51	EE304300-1	Bearing, Ball, with two metal shields, 62012ZC3HT51 SKF <i>Rodamiento de Bolas 62012ZC3HT51 SKF</i>	EA
VE20-17	021084023	EE380162	Axle & Hub Assembly for ICBT N Spindle <i>Conjunto de Eje y Cubo para Huso, ICBT N</i>	EA
VE20-18	021084024	EE340053	Spindle Assembly, ICBT N, without Housing or Spindle Disc Assembly <i>Conjunto de Huso ICBT N sin Caja o Conjunto de Disco de Huso</i>	EA
VE20-18A	Not Applicable	EE340053-1	Spindle Assembly, ICBT N, with Upper Bearing Housing Assembly, without Spindle Disc Assembly <i>Conjunto de Huso ICBT N con Caja y sin Conjunto de Disco de Huso</i>	EA
VE20-20	(20283501) 20283101 524518 524551B CHC5 HICM5X25	EE303760-1	Screw, Socket Head Cap, 5X25 <i>Tornillo Cilindrico, 5X25</i>	EA
VE20-21	318598 581013B R24PB701	EE304500	O-Ring, Top Bearing Upper <i>Anillo "O" Superior</i>	EA
VE20-22	212664 580109A	EE304448	Washer, Spacer, for RM, F44 & ICBT N Spindle <i>Arandela para Huso RM, F44 y ICBT N</i>	EA
VE20-23	212407 588003A C1012	EE304640	Ring, External Retaining (12E or C1.012) <i>Retenedor External (12E or C1.012)</i>	EA
VE20-24	92009600	EE380163	Nut, ICBT Spindle <i>Tuerca para Huso ICBT</i>	EA
VE20-25	92009500	EE380169	Whorl, ICBT N Spindle <i>Nuez, ICBT N Huso</i>	EA
VE20-26	92005803 92005802	EE380171	Bearing Housing, Lower, for ICBT N Spindle <i>Rodamiento de Bolas para ICBT N Huso</i>	EA
VE20-27	92003706 92003702	EE380170	Hub, Aluminum, for ICBT Spindle <i>Cubo, Aluminio, para ICBT Huso</i>	EA



VE20-28	(021084023) 92009400	EE380160	Axle, ICBT N Spindle <i>Eje, para ICBT N Huso</i>	EA
VE20-29	(581021C) 318581	EE309044	O-Ring 9.5 X 1.5mm <i>Anillo "O", 9.5 X 1.5mm</i>	EA
VE20-30	152174A00 205218G00 92003000	EE309040	Eyelet, Ceramic, for Reserve Disc <i>Ojo Ceramico para Disco de Reserva</i>	EA
VE20-31	220240A00 92003100 92003101	EE380059	Eyelet Retaining Piece for Hub/Reserve <i>Retenador para Ojo para Reserva</i>	EA
VE20-32	22295201 547515H	EE309041	Screw for Eyelet Holder <i>Tornillo para Sujetador de Ojo</i>	EA
VE20-33	92009700 B92009700	EE380205	Axle and Box Assembly <i>Asamblea del árbol y de la caja</i>	EA
VE20-34	(021084024) R92006300	EE380161	Hub, Axle, ICBT N Spindle <i>Cubo para Huso, ICBT N</i>	EA
VE20-35	(R92006800) 205228F00 92002400	EE380172	Eyelet, Ceramic, for ICBT N Spindle <i>Ojal, de cerámica, para el huso de ICBT N</i>	EA
VE20-35A	(R92006800) 205229F00 92002500	EE380173	Guide, Two Way, Channel for ICBT N Spindle <i>Guía, Dos Direccion, Canal para ICBT Huso N</i>	EA
VE20-36	92006800 R92006800	EE309115	Eyelet Assembly <i>Conjunto de Ojo</i>	EA
VE20-37	021084028 032084002 920252000	EE340051	Disc and Reserve Assembly, Stainless, 280 X 200mm, ICBT <i>Disco de Acero Inoxidable de Huso Conjunto, 280 X 200 mm, ICBT</i>	EA
VE20-37A	201100A02	EE340066	Disc and Reserve Assembly, Stainless, 280 X 200, Low Profile, ICBT CD/DT, Verdol 400/500/600 <i>Conjunto de Disco de Acero Inoxidabley Reserva para Huso ICBT CD/DT y Verdol 400/500/600 (perfil bajo)</i>	EA
VE20-37B	021084003 201119B 201119C X021084003	EE340021	Disc and Reserve Assembly, Stainless, 260 X 160mm for RM, F44 and ICBT <i>Conjunto de Disco de Acero Inoxidabley Reserva para Huso RM, F44, y ICBT,</i>	EA



VE20-37C	230119 201077B 201077A	EE340045	Disc and Reserve Assembly, Stainless, 260 X 175mm, RM, F44 & ICBT <i>Asamblea inoxidable del disco y de la reserva completa, 260 X 175, RM, F44 & ICBT</i>	EA
VE20-38	(021084028)	EE309102	Repair, ICBT or RM/F44 Spindle Disc Assembly, 280X200mm, with New Mounting Hub (EE340050) and Balance <i>Reparación, asamblea del disco del huso ICBT o RM/F44, 280X200m m, con el cubo nuevo del montaje (EE340050) y el balance</i>	EA
VE20-38A	(201078F)	EE340044	Repair, ICBT or Verdol RM/F44 Spindle Disc Assembly, 260X160, with New Mounting Hub (EE340022) and Balance <i>Reparación, asamblea del disco del huso de ICBT o de Verdol RM/F44, 260X160, con el cubo nuevo del montaje (EE340022) y el balance</i>	EA
VE20-38B	Not Applicable	EE340068	Repair, ICBT or Verdol RM/F44 Spindle Disc Assembly, 260X175, with New Mounting Hub (EE340047) and Balance <i>Reparación, asamblea del disco del huso de ICBT o de Verdol RM/F44, 260X175, con el cubo nuevo del montaje (EE340047) y el balance</i>	EA
VE20-38C	(92025200) (X92025200) (021084028)	EE340048	Repair, of Threading Channel 200mm, and Balance <i>Repare, de roscar el canal 200m m, y de balance</i>	EA
VE20-38D	(201078F)	EE340011	Repair of Threading Channel 160 & 175mm, and Balance <i>Reparación de roscar el canal 160 y 175m m, y balance</i>	EA
VE20-38E	(201100B00)	EE309123	Repair Threading Channel with 10mm Stainless Steel Tube and Rebalance; 280 X 200mm Disc Assembly, ICBT N and Verdol RM & F44 <i>Reparar & Balancear Comino de Hilo de Cubo de Huso ICBT N y Verdol RM y F44 (280 X 200mm)</i>	EA



VE20-38F	Not Applicable	EE309124	Repair Threading Channel with 10mm Stainless Steel Tube and Rebalance; 260 X 175mm Disc Assembly, ICBT N and Verdol RM & F44 <i>Reparar & Balancear Comino de Hilo de Cubo de Huso ICBT N y Verdol RM y F44 (260X175mm)</i>	EA
----------	----------------	----------	---	----

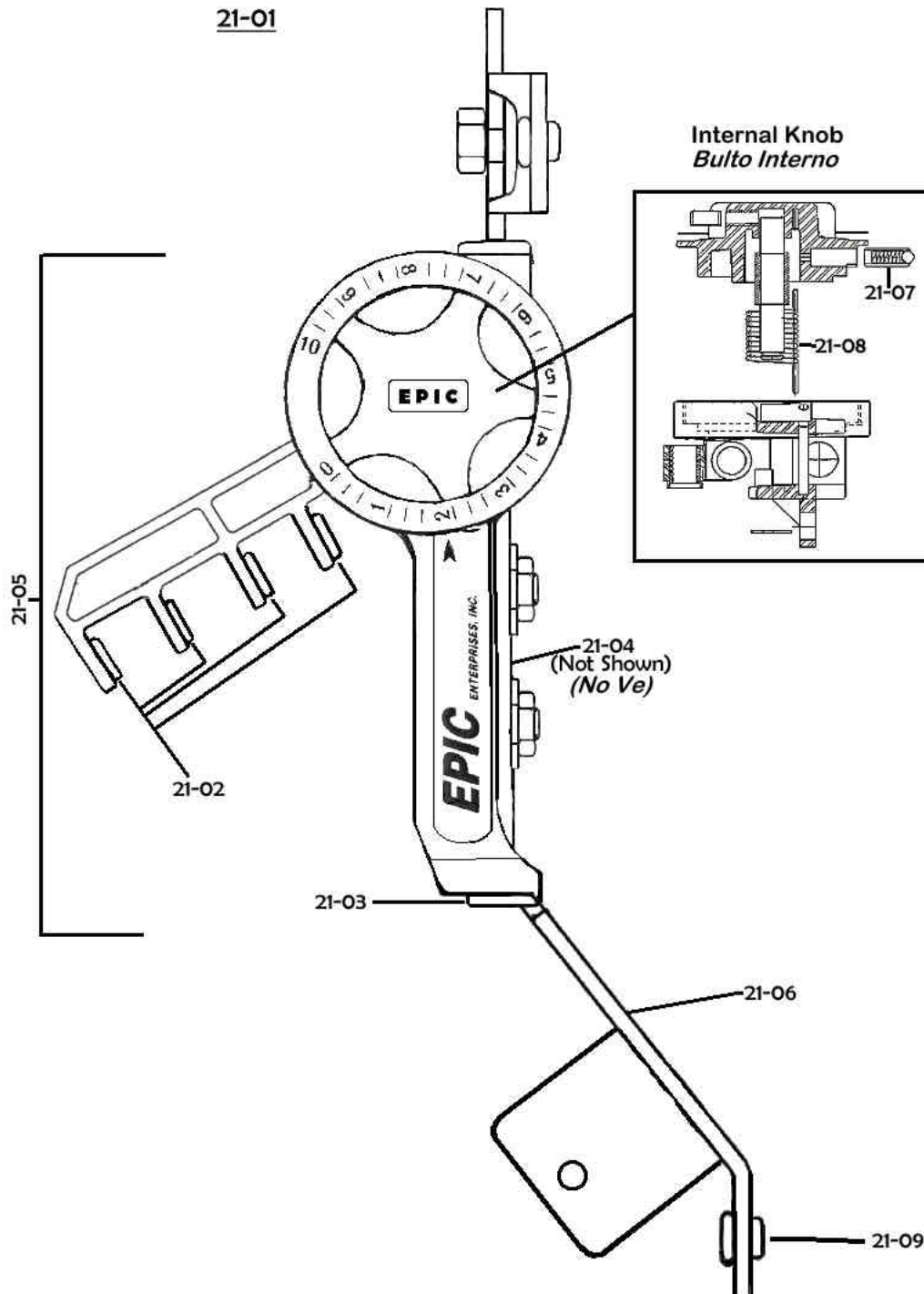
Epic products are intended as replacements for worn or damaged parts in OEM products. OEM Part numbers in (parenthesis) indicate either 1) Improved design 2) the part serves the same function as the OEM part, but may differ from the OEM design, or 3) it is a component of an assembly where no OEM reference number is available, or 4) it is a repair service for the referenced OEM part.

EE is an Epic trademark designating Epic parts

Verdol is a trademark of Rieter/ ICBT

© Epic Enterprises, March 2008





EPIC DIAL STORAGE TENSOR FOR VERDOL & ICBT CREELS
TENSOR CON PERILLA REGISTRADORA PARA FILETAS DE VERDOL Y ICBT

Epic Enterprises, Inc., P.O. Box 979, Southern Pines, NC 28388-0979 USA
Telephone Toll Free 800-648-7273 or 910-692-5441 Outside USA
Fax Toll Free 888-692-4147 or 910-692-4147 Outside USA
Website: <http://www.epicenterprises.com> E-Mail: epic@epicenterprises.com



Position	OEM Ref. Nos.	Epic No.	Description	UOM
VE21-01	(021410056)	EE340035	Storage Tensor with Bracket Assembly and Roller Assembly for ICBT Creel <i>Tensor con Perilla Registradora para ICBT, con soporte Montaduro y Ferreteria, con Rodillo</i>	EA
VE21-01A	(021410056)	EE340035-2A	Dial Storage Tensor for ICBT with Mounting Bracket and Hardware, without Roller <i>Tensor con Perilla Registradora para ICBT, con soporte Montaduro y Ferreteria, sin Rodillo</i>	EA
VE21-01B	Not Applicable	EE340042	Dial Storage Tensor for Epic E Creel with Mounting Brackets & Hardware, without Roller <i>Tensor con Perillo Registradora para Fileta E de Epic, con Soporte Montaduro y Ferreteria, sin Rodillo</i>	EA
VE21-01B1	Not Applicable	EE340042-1	Dial Storage Tensor for Epic E Creel with Mounting Brackets and Hardware, with Roller <i>Tensor con Perillo Registradora para Fileta E de Epic, con Soporte Montaduro y Ferreteria, con Rodillo</i>	EA
VE21-01C	Not Applicable	EE340043	Dial Storage Tensor for Verdol 400 Creel with Mounting Bracket & Hardware, without Roller <i>Tensor con Perilla Registradora para Fileta de Verdol 400 con Soporte Montaduro y Ferreteria, sin Rodillo</i>	EA
VE21-01D	Not Applicable	EE340043-1	Dial Storage Tensor for Verdol 400 Creel with Mounting Bracket, Roller, & Hardware <i>Tensor con Perilla Registradora para Fileta de Verdol 400 con Soporte Montaduro y Ferreteria y Rodillo</i>	EA
VE21-01E	Not Applicable	EE380133	Bracket with Hardware to mount EE340035 Series Devices to Epic Style E Creel <i>Soporte y Equipo por Fijar Esfera Almacen Tensor por Epic Typo E Creel</i>	EA
VE21-02	(363147)	EE309069-2	Eyelet, Flanged Red <i>Ojete Rojo con Brida</i>	EA



VE21-03	Not Applicable	EE309068	Eyelet, Flanged, White <i>Ojete Blanco con Brida</i>	EA
VE21-04	94403801	EE309070	Pin, Ceramic, Pink, 2.5mm Diameter <i>Clavar, Ceramico, Clavellina (Diámetro Externo 2.5mm)</i>	EA
VE21-04A	(94403801)	EE309070-1	Pin, Ceramic, Pink, 3.5mm diameter <i>Clavar, Ceramico, Clavellina (Diámetro Externo 3.5mm)</i>	EA
VE21-05	(VZ4883) (X021.442.001) (021442001)	EE380114-2A	Dial Storage Tensor <i>Tensor con Perilla Registradora</i>	EA
VE21-05A	Not Applicable	EE309074	Rebuild Epic or ICBT Storage Tensor <i>Renovacion de Tensor Acumulador, Tipo Epic o Verdol</i>	EA
VE21-06	94001300	EE380125	Bracket for Mounting Storage Tensor to ICBT Twister (without Ceramics) <i>Cortela para Montage de Tensor Acumulador para ICBT (sin ceramicos)</i>	EA
VE21-06A	(94001300)	EE380126	Mounting Bracket with Ceramic Eyes <i>Cartela para Montage de Tensor Acumulador con Ojos Ceramicos</i>	EA
VE21-06B	Not Applicable	EE380134	Bracket, Mounting, for Storage Tensor for Verdol and Epic Creel <i>Cartela de Montage de Tensor Acumulador para Filetas de Verdol y Epic</i>	EA
VE21-07	(338146)	EE309071	Spring Plunger, with Ball End, 5mm <i>Embolo para Resorte con Fin de Bola, 5mm</i>	EA
VE21-08	Not Applicable	EE380121	Spring, S/S Torsion <i>Spring, S/S Torsion</i>	EA
VE21-09	(363147)	EE309069-2	Eyelet, Flanged Red <i>Ojete Rojo con Brida</i>	EA
VE21-10	Not Applicable	EE380119B	Bushing, DU, Arm <i>Buje de Brazo</i>	EA

EPIC AND VERDOL CREELS REQUIRE ADDITIONAL ADAPTOR PIECES

Epic products are intended as replacements for worn or damaged parts in OEM products. OEM Part numbers in (parenthesis) indicate either 1) Improved design 2) the part serves the same function as the OEM part, but may differ from the OEM design, or 3) it is a component of an assembly where no OEM reference number is available, or 4) it is a repair service for the referenced OEM part.

EE is an Epic trademark designating Epic parts

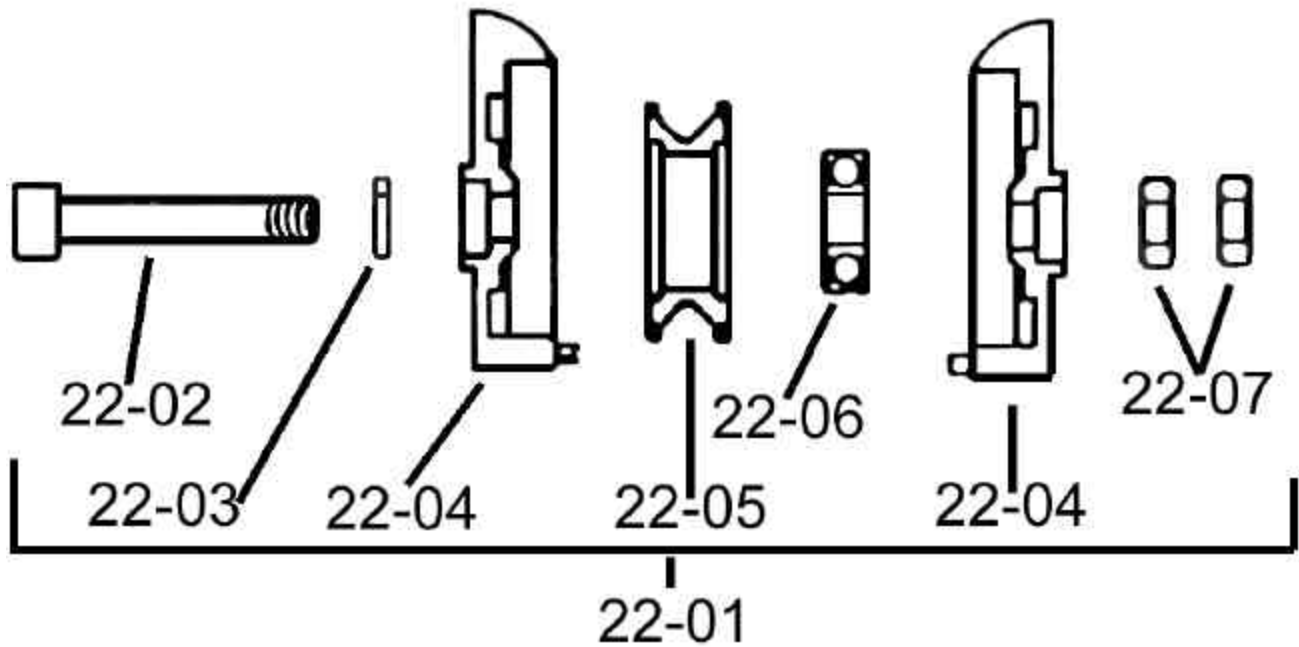
Verdol is a trademark of Rieter/ ICBT

© Epic Enterprises, March 2008

Epic Enterprises, Inc., P.O. Box 979, Southern Pines, NC 28388-0979 USA
Telephone Toll Free 800-648-7273 or 910-692-5441 Outside USA
Fax Toll Free 888-692-4147 or 910-692-4147 Outside USA
Website: <http://www.epicenterprises.com> E-Mail: epic@epicenterprises.com



VE22-01



V-GROOVE ROLLER FOR VERDOL CABLERS & TWISTERS
USED BETWEEN PIGTAIL GUIDE & OVERFEED ROLL
RODILLO "V" PARA CABLEDORAS Y RETORCEDORAS DE VERDOL



Position	OEM Ref. Nos.	Epic No.	Description	UOM
VE22-01	(588016) (216901) 021410008 218842A00 X021.410.008	EE380020	Roller, V-Groove Assembly <i>Conjunto de Rodillo "V"</i>	EA
VE22-02	524600B	EE330350	Screw, Socket Head Cap, Zinc Plated, 6X 35 <i>Tornillo Cilindrico, 6 X 35</i>	EA
VE22-03	555062S	EE332502	Lockwasher, Split, 6mm <i>Arandelade Seguridad</i>	EA
VE22-04	218643F01 96701801 96901800	EE380021	Cap, End for Roller Assembly EE380020 <i>Tapa Fin para Conjunto de rodillo EE380020</i>	EA
VE22-05	218642A00 94700600 94700601	EE380022	Roller, V-Groove for Roller Assembly EE380020 <i>Rodillo par Conjunto "Y"</i>	EA
VE22-06	300308 569094D	EE309032	Bearing for Roller Assembly EE380020 <i>Rodamiento para Conjunto de Rodillo EE380020</i>	EA
VE22-07	22300301 549509A HUM6	EE333350	Nut, Hex, Zinc Plated, 6mm <i>Tuerca Hexagonal, 6mm</i>	EA

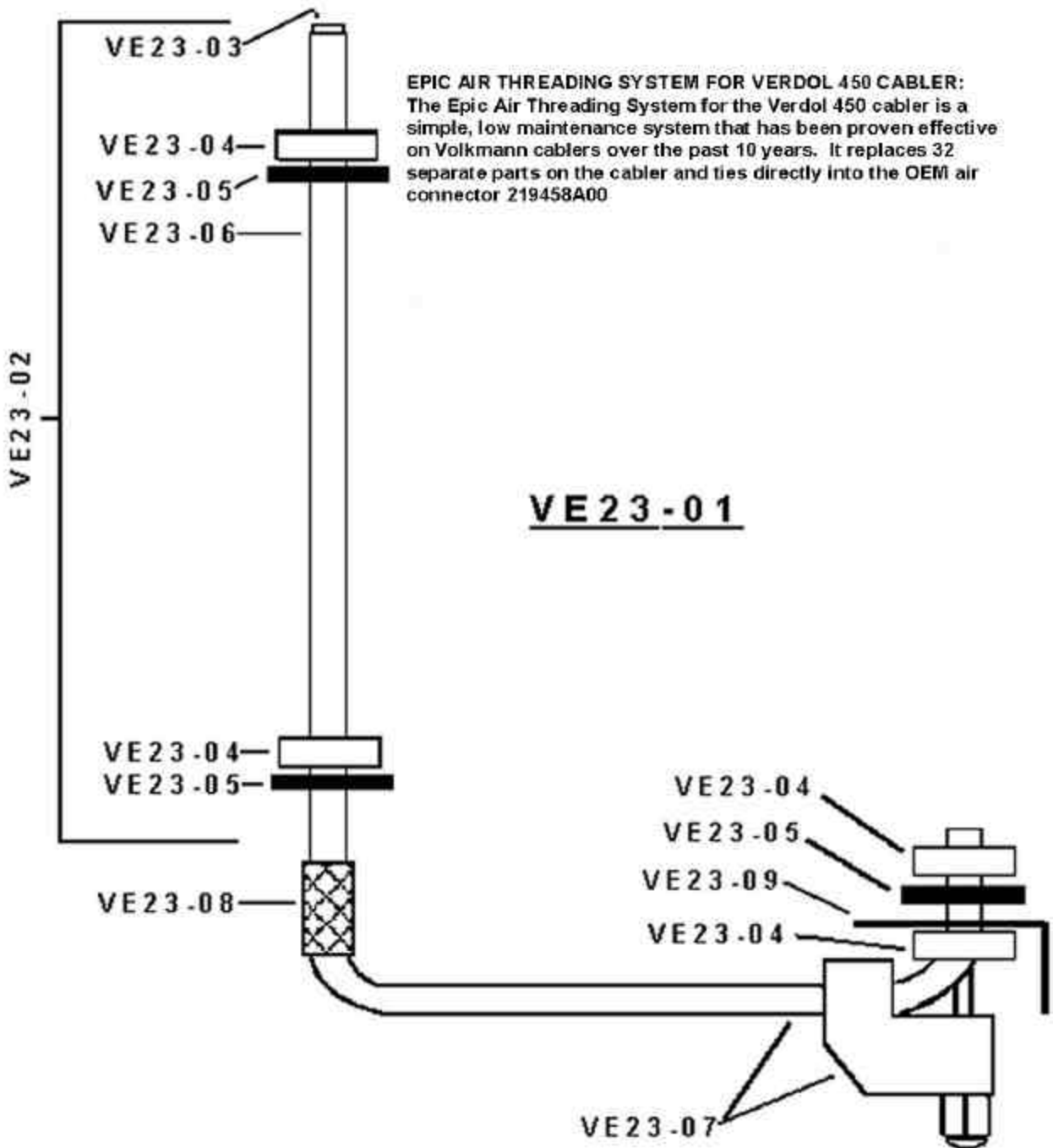
Epic products are intended as replacements for worn or damaged parts in OEM products. OEM Part numbers in (parenthesis) indicate either 1) Improved design 2) the part serves the same function as the OEM part, but may differ from the OEM design, or 3) it is a component of an assembly where no OEM reference number is available, or 4) it is a repair service for the referenced OEM part.

EE is an Epic trademark designating Epic parts

Verdol is a trademark of Rieter/ ICBT

© Epic Enterprises, March 2008





EPIC AIR THREADING SYSTEM FOR VERDOL 450 CABLER
SISTEMA DE ENHEBRANDO CON AIRE PARA CABLEDORA 450 DE VERDOL



Position	OEM Ref. Nos.	Epic No.	Description	UOM
VE23-01	Not Applicable	EE340025	Down Tube Assembly with Epic Air Deflection Device <i>Conjunto de Tubo Abajo con Dispositivo para Deflexion de Aire</i>	EA
VE23-02	Not Applicable	EE380060	Down Tube with Ceramic Eyelet, Collars and Washers for Verdol 450 <i>Tubo Abajo con Ojo para Modelo 450</i>	EA
VE23-03	Not Applicable	EE401864V	Ceramic Eyelet <i>Ojo Ceramico</i>	EA
VE23-04	Not Applicable	A-18463	Collar, Shaft, with Set Screw, 3/8" <i>Collarin con Opresor, 3/8"</i>	EA
VE23-05	(22513001) (555024A)	A-18356	Washer, Regular Flat 3/8", Plated <i>Arandela Plana, 3/8"</i>	EA
VE23-06	Not Applicable	EE380061	Tube Only, Down, for Model 450 Cabler <i>Tubo Abajo para Modelo 450</i>	EA
VE23-07	Not Applicable	EE380075	Air Deflection Tube Device Complete, for 450 <i>Dispositivo Completo de Deflexion con Aire para Verdol 450</i>	EA
VE23-08	Not Applicable	EE480004V	Friction Cuff only for Epic Deflection Tube <i>Manguito de Friccion para Tubo Epic de Deflexion, 05C</i>	EA
VE23-09	Not Applicable	EE380074	Bracket, Lower Support, for Epic Air Deflection Assembly for 450 <i>Cartela Inferior de Soporte para Aive-Deflexion para 450</i>	EA

Epic products are intended as replacements for worn or damaged parts in OEM products. OEM Part numbers in (parenthesis) indicate either 1) Improved design 2) the part serves the same function as the OEM part, but may differ from the OEM design, or 3) it is a component of an assembly where no OEM reference number is available, or 4) it is a repair service for the referenced OEM part.

EE is an Epic trademark designating Epic parts

Verdol is a trademark of Rieter/ ICBT

© Epic Enterprises, March 2008



EE305545 Friction Roller Assembly
ICBT & Verdol 450 with Full Length Cot



EE305545-1 Friction Roller
Without Cot ICBT & Verdol 450



EE305548 Friction Roller Assembly
Verdol 450 With Narrow Cot



EE305548-1 Friction Roller Grooved
Without Cot for Verdol 450



EE305547 Friction Roll with Cot
Verdol 400 and 500



EE305547-1 Friction Roll without Cot
Verdol 400 and 500



EE305542 Full Length
Gray Cot 89.5X276X2mm
for Verdol 450 & ICBT



EE305549 Gray Cot
89.5X138X2mm
for Verdol 450



EE303462-3 Red/Brown Cot,
124X275X2.2mm, for
Verdol 400, 500 & 600



We can also re-cot customer rolls. Please call for information!

**FRICION ROLLS AND COTS FOR ICBT, VERDOL
RODILLO DE FRICCION Y MANGUITOS PARA ICBT, VERDOL 400 Y 450**

Epic Enterprises, Inc., P.O. Box 979, Southern Pines, NC 28388-0979 USA
Telephone Toll Free 800-648-7273 or 910-692-5441 Outside USA
Fax Toll Free 888-692-4147 or 910-692-4147 Outside USA
Website: <http://www.epicenterprises.com> E-Mail: epic@epicenterprises.com



Position	OEM Ref. Nos.	Epic No.	Description	UOM
VE24-01	021180000 218149A01 93402900 93402902	EE305545	Friction Roller Assembly, ICBT and Verdol 450 with Full Length Cot <i>Conjunto de Rodillo de Friccion, ICBT y Verdol 450 con Manguito Gris Longitud</i>	EA
VE24-01A	(93402900) (218149A01) (021180000)	EE309103	Strip Customer Verdol 450 or ICBT Friction Roll and install Full Length Cot EE305542 (Minimum 12 pieces) <i>Quite Cliente Verdol 450 o ICBT Rodillo de Friccion y Instalar para Instalar</i>	EA
VE24-02	218151A01	EE305545-1	Friction Roller without Cot for ICBT and Verdol 450 <i>Rodillo de Friccion sin Manguito, ICBT y Verdol 450</i>	EA
VE24-02A	(218151A01) (93402902) (218149A01)	EE305550	Install Epic Full Length Cot EE305542 on Customer's Cotless Roll, ICBT and Verdol 450 (Minimum 12 pieces) <i>Instale el cot lleno épico EE305542 de la longitud en el rodillo de Customer's Cotless, ICBT y Verdol 450 (el mínimo 12 junta las piezas)</i>	EA
VE24-03	218147A	EE305548	Friction Roller Assembly, Verdol 450, with Narrow Cot <i>Conjunto de Rodillo de Friccion para Verdol 450 con Manguito Gris Chica</i>	EA
VE24-03A	(221789A01)	EE309101	Strip Customer Verdol 400 Friction Roll and Install EE303462-3 Cot (Minimum Order: 12 Pieces) <i>Pele la fricción Rol de Verdol 400 del cliente e instale Ee303462-3 Cot (orden mínima: 12 pedazos)</i>	EA
VE24-04	218047A	EE305548-1	Friction Roller, Grooved, Without Cot, for Verdol 450 <i>Rodillo de Friccion, Ranurado, para Verdol 450 sin Manguito</i>	EA
VE24-05	221789A01	EE305547	Friction Roll with Cot, Verdol 400 and 500 <i>Rodillo de Friccion con Elevador, Verdol 400 and 500</i>	EA



VE24-05A	(214444) 213538A03	EE305547-1	Friction Roll without Cot, Verdol 400 and 500 <i>Rodillo de Friccion sin Elevador, Verdol 400 and 500</i>	EA
VE24-06	(93402902) 218155A01	EE305542	Cot, Gray, Full Length, 89.5 X 276 X 2mm for Verdol 450 and ICBT Friction Rolls <i>Manguito Gris 89.5 X 276 X 2mm para longitud completa para Rodillo de Friccion Verdol 450 y ICBT</i>	EA
VE24-07	218154A01	EE305549	Cot, Gray, 89.5 X 138 X 2mm for Verdol 450 Friction Roll <i>Manguito Gris 89.5 X 138 X 2mm para Rodillo de Friccion Verdol 450</i>	EA
VE24-08	(210524A) 210524R	EE303462-3	Cot, Red/Brown, 124X275X2.2mm, for 400, 500 & 600 Take-Up Roll <i>Recubrimiento Rojo-Pardo para Rodillo de Friccion, 124X275X2.2mm, Maquina 400, 500 y 600</i>	EA

We can also install a new cot on the customer's cotless roll. Please call for details.

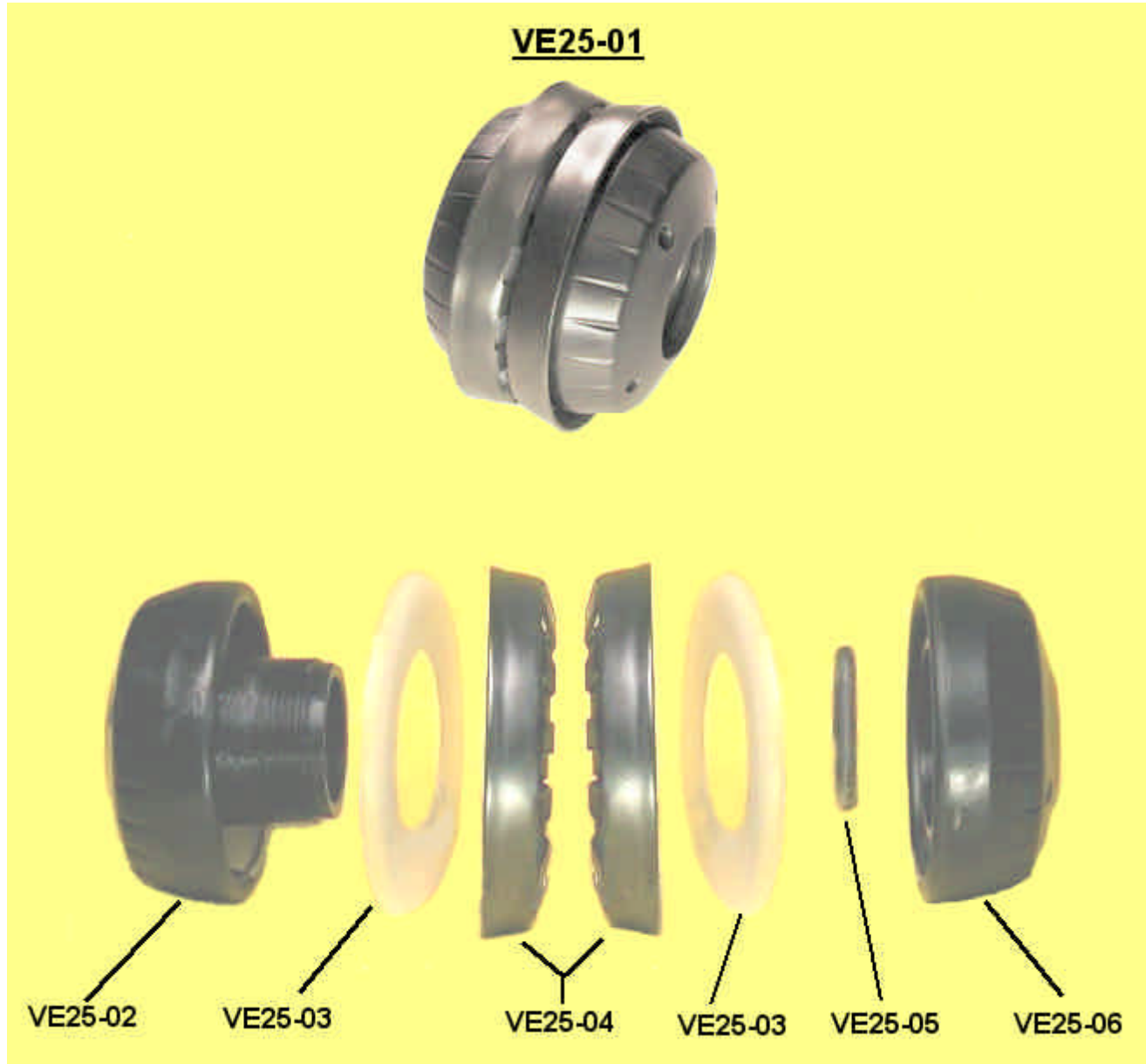
Epic products are intended as replacements for worn or damaged parts in OEM products. OEM Part numbers in (parenthesis) indicate either 1) Improved design 2) the part serves the same function as the OEM part, but may differ from the OEM design, or 3) it is a component of an assembly where no OEM reference number is available, or 4) it is a repair service for the referenced OEM part.

EE is an Epic trademark designating Epic parts

Verdol is a trademark of Rieter/ ICBT

© Epic Enterprises, March 2008





PRE-TAKE-UP/OVERFEED ASSEMBLY, 14 FLUTE CERAMIC, ICBT TYPE
ASAMBLEA DE PRE-TAKE-UP/OVERFEED, 14 FLAUTA DE CERÁMICA, TIPO DE ICBT



Position	OEM Ref. Nos.	Epic No.	Description	UOM
VE25-01	(021381037)	EE380175	Pre-Take-Up/Overfeed Assembly, 14 Flute Ceramic Coated, ICBT Type <i>Conjunto de Rodillo de Sobrealimentacion, Ceramico, Tipo de ICBT, sin Collarin, 14 Estrias</i>	EA
VE25-01A	021381038	EE380175-1	PTU/Overfeed Assembly, 14 Flute, Chrome Plated, ICBT Type <i>Asamblea De PTU/Overfeed, 14 Flauta, Cromo Plateado, Tipo de ICBT</i>	EA
VE25-02	53862500	EE380176	Pre-Take-Up/Overfeed, Male Half, ICBT Type <i>Tornillo Macho para Rodillo de Sobrealimentacion, Tipo ICBT</i>	EA
VE25-03	50324100	EE380179	Pre-Take-Up/Overfeed, Washer, ICBT Type <i>Arandela para Rodillo de Sobrealimentacion, tipo de ICBT</i>	EA
VE25-04	(93214803)	EE380174	Shell Only, PTU/Over Feed, 14 Flute, Open-Type, Ceramic Coated, for ICBT <i>Disco Ceramico para Rodillo de Sobrealimentacion, 14 Estrias para ICBT</i>	EA
VE25-04A	Not Applicable	EE380200	Shell Only, PTU/Over Feed, 14 Flute, Open-Type, Chrome, for ICBT <i>Disco Cromado para Rodillo de Sobrealimentacion, 14 Estrias para ICBT</i>	EA
VE25-05	318976	EE380178	Pre-Take-Up/Overfeed, O-Ring, ICBT Type <i>Anillo "O" para Rodillo de Sobrealimentacion, tipo de ICBT</i>	EA
VE25-06	53862600	EE380177	Pre-Take-Up/Overfeed, Female Half, ICBT Type <i>Hembra para Rodillo de Sobrealimentacion, Tipo de ICBT</i>	EA

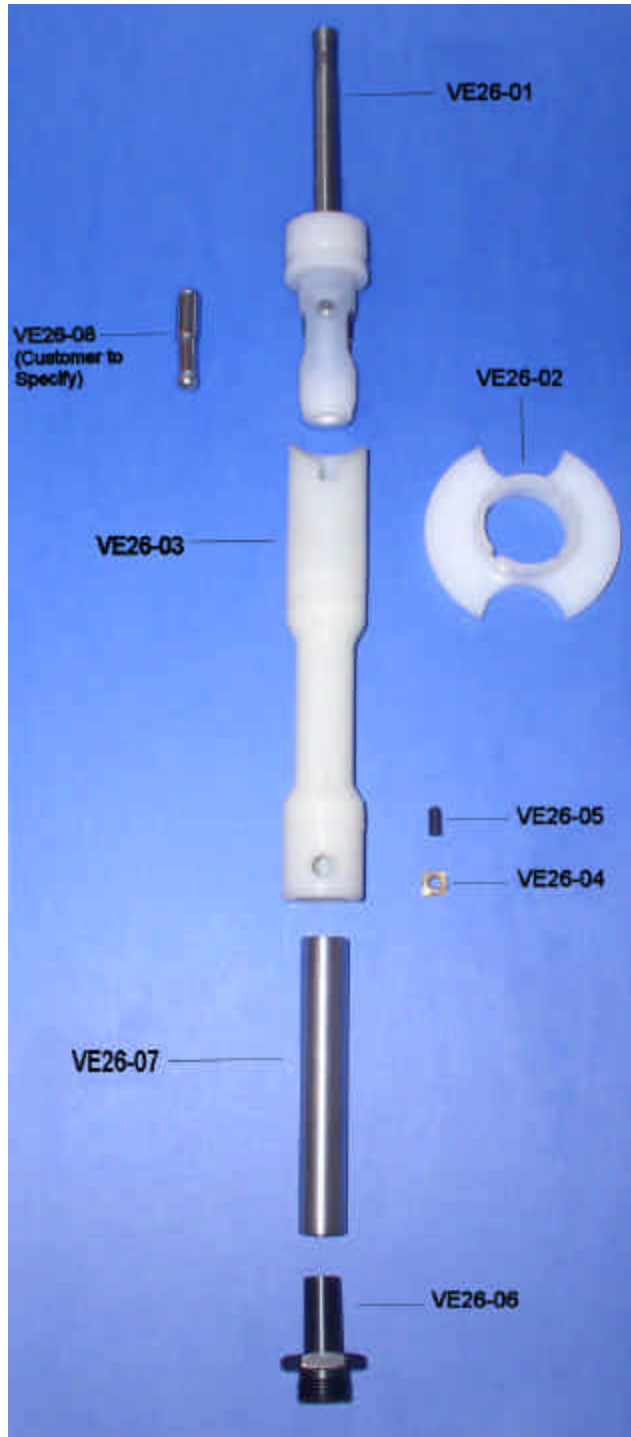
Epic products are intended as replacements for worn or damaged parts in OEM products. OEM Part numbers in parenthesis indicate either 1) Improved design 2) the part serves the same function as the OEM part, but may differ from the OEM design, or 3) it is a component of an assembly where no OEM reference number is available, or 4) it is a repair service for the referenced OEM part.

EE is an Epic trademark designating Epic parts

Verdol is a trademark of Rieter/ ICBT

© Epic Enterprises, March 2008





CONVERSION: VERDOL CABLER TO SINGLE END UP TWIST WITH VOLKMANN
TENSION DEVICE FOR VERDOL 400, 450, 500, 600, and ICBT
CONVERSIÓN: CABLER DE VERDOL PARA ESCOGER TORCEDURA ASCENDENTE DEL



Position	OEM Ref. Nos.	Epic No.	Description	UOM
VE26-01	Not Applicable	EE440272V	Multi-Tension Device, Manual, Flat Cap, 33mm <i>Dispositivo de Tensor Multiple, Manual, Tapa Plana, 33mm</i>	EA
VE26-02	Not Applicable	EE480747V	Ring, Centering, 73mm, for Manual Multi-Tension Device <i>Anillo Manual par Centraje, 73mm</i>	EA
VE26-03	Not Applicable	EE480080-3V	Feed Bushing, 8" Manual <i>Caja Manual de Alimentacioin sin Anillo de Retencion</i>	EA
VE26-04	Not Applicable	EE480183V	Bushing, Threaded Brass <i>Buje Roscado de Laton</i>	EA
VE26-05	Not Applicable	EE401020V	Screw, Hex Socket Cup Point Set, 5X8 <i>Prisionero Hexagonal Hueco con Punta en Copa, 5X8</i>	EA
VE26-06	151255G 151780	EE302680	Extension, Base Shell, for 400, 450, 500 & 600 <i>Extension de Buje Bajo para 400, 450, 500 y 600</i>	EA
VE26-07	Not Applicable	EE380234	Feed Bushing Adaptor for Verdol Base Shell Extension for Verdol 400, 500, 600, and ICBT <i>Adaptador del buje de la alimentación para la extensión baja de la cáscara de Verdol 400, 500, 600 y ICBT</i>	EA
VE26-07A	Not Applicable	EE380235	Feed Bushing Adaptor for Base Shell Extension; for Verdol 450 <i>Adaptador del buje de la alimentación para la extensión baja de la cáscara; para Verdol 450</i>	EA
VE26-08A	Not Applicable	EE401835-1V	Capsule, Straight Tension, Bulb Type, #0 <i>Cápsula de tensión directa, tipo bulbo # 0</i>	EA
VE26-08B	Not Applicable	EE401836-1V	Capsule, Straight Tension, Bulb Type, #1 <i>Cápsula de tensión directa, tipo bulbo # 1</i>	EA
VE26-08C	Not Applicable	EE401837-1V	Capsule, Straight Tension, Bulb Type, #2 <i>Cápsula de tensión directa, tipo bulbo # 2</i>	EA



VE26-08D	Not Applicable	EE401838-1V	Capsule, Straight Tension, Bulb Type, #3 <i>Cápsula de tensión directa, tipo bulbo # 3</i>	EA
VE26-08E	Not Applicable	EE401839-1V	Capsule, Straight Tension, Bulb Type, #4 <i>Cápsula de tensión directa, tipo bulbo # 4</i>	EA
VE26-08F	Not Applicable	EE401840-1V	Capsule, Straight Tension, Bulb Type, #5 <i>Cápsula de tensión directa, tipo bulbo # 5</i>	EA
VE26-08G	Not Applicable	EE401841-1V	Capsule, Straight Tension, Bulb Type, #6 <i>Cápsula de tensión directa, tipo bulbo # 6</i>	EA

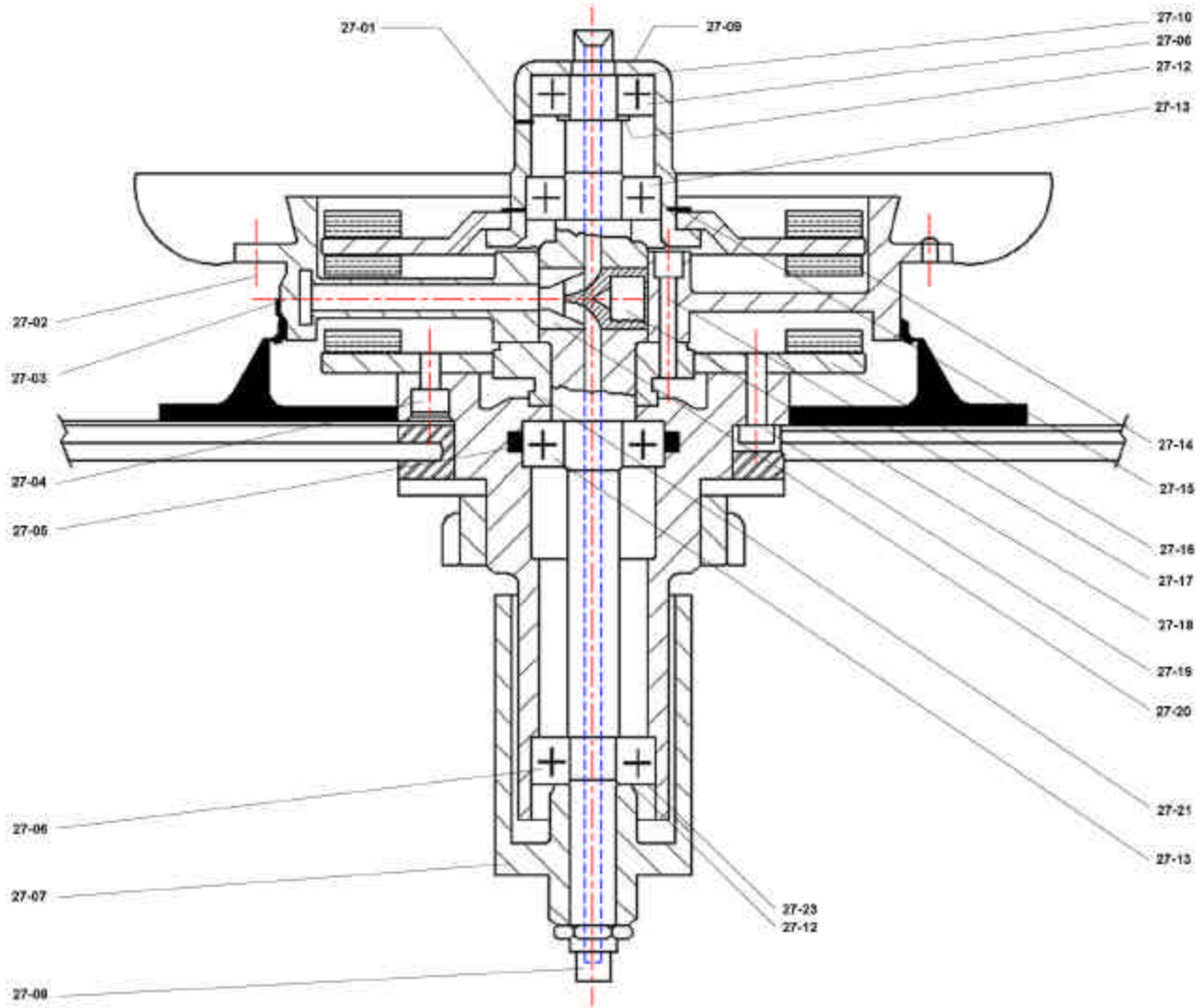
Epic products are intended as replacements for worn or damaged parts in OEM products. OEM Part numbers in (parenthesis) indicate either 1) Improved design 2) the part serves the same function as the OEM part, but may differ from the OEM design, or 3) it is a component of an assembly where no OEM reference number is available, or 4) it is a repair service for the referenced OEM part.

EE is an Epic trademark designating Epic parts

Verdol is a trademark of Rieter/ ICBT

© Epic Enterprises, March 2008





SPINDLE ASSEMBLY, VERDOL, N (OLDER VERSION)
ASAMBLEA DEL HUSO, VERDOL, N (OLDER VERSION)

Epic Enterprises, Inc., P.O. Box 979, Southern Pines, NC 28388-0979 USA
Telephone Toll Free 800-648-7273 or 910-692-5441 Outside USA
Fax Toll Free 888-692-4147 or 910-692-4147 Outside USA
Website: <http://www.epicenterprises.com> E-Mail: epic@epicenterprises.com



Position	OEM Ref. Nos.	Epic No.	Description	UOM
VE27-01	123007A 92001500	EE380164	Wire Keeper for RM, F44 & ICBT N Spindle <i>Guardian de Alambre de Husos RM y F-44 y ICBT N</i>	EA
VE27-02	215356 561031A	EE309042	Rivet, Aluminum, 2.5 X 8mm <i>Remache de aluminio para Reserra y Placade torsion, 2.5 x8mm</i>	EA
VE27-03	(205206) 151150 205212B00 96705000	EE309056	Eyelet, Ceramic Tube, Tan <i>Ojo Ceramico en forme de Tubo, Tostado</i>	EA
VE27-04	524513B	EE430220V	Screw, Socket Head Cap 6X10 <i>Tornillo con Cabeza Cilindrica Hueca 6X10</i>	EA
VE27-05	318580 581158C R26PC85LJF X318580	EE304540	O-Ring for Spindle Housing <i>Anillo "O" para Caja de Huso</i>	EA
VE27-06	301642 569082D 6201ZC3	EE304300	Bearing, N Spindle, 450, 6201ZC3 <i>Rodamiento de Bolas 6201ZC3 para Huso 450 N</i>	EA
VE27-06A	(569082D) 62012ZC3HT51	EE304300-1	Bearing, Ball, with two metal shields, 62012ZC3HT51 SKF <i>Rodamiento de Bolas 62012ZC3HT51 SKF</i>	EA
VE27-07	152155A00 92001100	EE380197	Housing, Lower, for "N" Spindle <i>Conteniendo, baje, para el huso de "N"</i>	EA
VE27-08	152153A00	EE303210	Axle, N Spindle (Old Version), 450 <i>Eje Viejo para Huso, 450</i>	EA
VE27-09	152156B01	EE380208	Bearing Housing, Upper, Old Style "N" Verdol (Not ICBT) <i>Coja para Rodiamento de Bolas para "N" Verdol (Not ICBT)</i>	EA
VE27-10	22534701 580006A	EE380166	Washer, Wave, for RM, F44 & ICBT N Spindle <i>Arandela para RM, F44 & ICBT N Huso</i>	EA
VE27-12	212664 580109A	EE304448	Washer, Spacer, for RM, F44 & ICBT N Spindle <i>Arandela para Huso RM, F44 y ICBT N</i>	EA



VE27-13	569081D	EE304280	Bearing, Ball, 6202ZZ <i>Rodamiento de Bolas 6202ZZ</i>	EA
VE27-14	(9201220) (152160C00)	EE380144-1	Plate, Upper Magnet, with Magnet & Grommet for Verdol Spindles, RM, F44, & ICBT <i>Placa Superior de Imanes con Imanes y Anillo Plastico para Husos Verdol RM, F44 y ICBT</i>	EA
VE27-15	212214 558082A	EE434228V	Ring, External Retaining, 42X1.75 <i>Anillo de Retencion Exterior, 42X1.75</i>	EA
VE27-16	152158B01 152158A01 90201702 X021.084.118	EE380148	Plate, Lower Magnet, with Magnets for Verdol RM, F44 Spindle <i>Placa Inferior con Imanes para Husos de Verdol, RM y F44</i>	EA
VE27-17	20283501 524501B	EE330358	Screw, Socket Head Cap, 5X25, Zinc Plated <i>Tornillo Cilindrico, 5X25</i>	EA
VE27-18	(R92006800) 205229F00 92002500	EE380173	Guide, Two Way, Channel for ICBT N Spindle <i>Guia, Dos Direccion, Canal para ICBT Huso N</i>	EA
VE27-19	524514	EE303613	Screw, Socket Head Cap, 6X16 <i>Tornillo Cilindrico, 6X16</i>	EA
VE27-20	(R92006800) 205228F00 92002400	EE380172	Eyelet, Ceramic, for ICBT N Spindle <i>Ojal, de cerámica, para el huso de ICBT N</i>	EA
VE27-21	152154A 92000800	EE380106	Hub for N Spindle, 450 <i>Cubo para Huso N, 450</i>	EA
VE27-23	558026A	EE334305	Ring, Internal Retaining, 32mm <i>Retenador Internal, 32mm</i>	EA

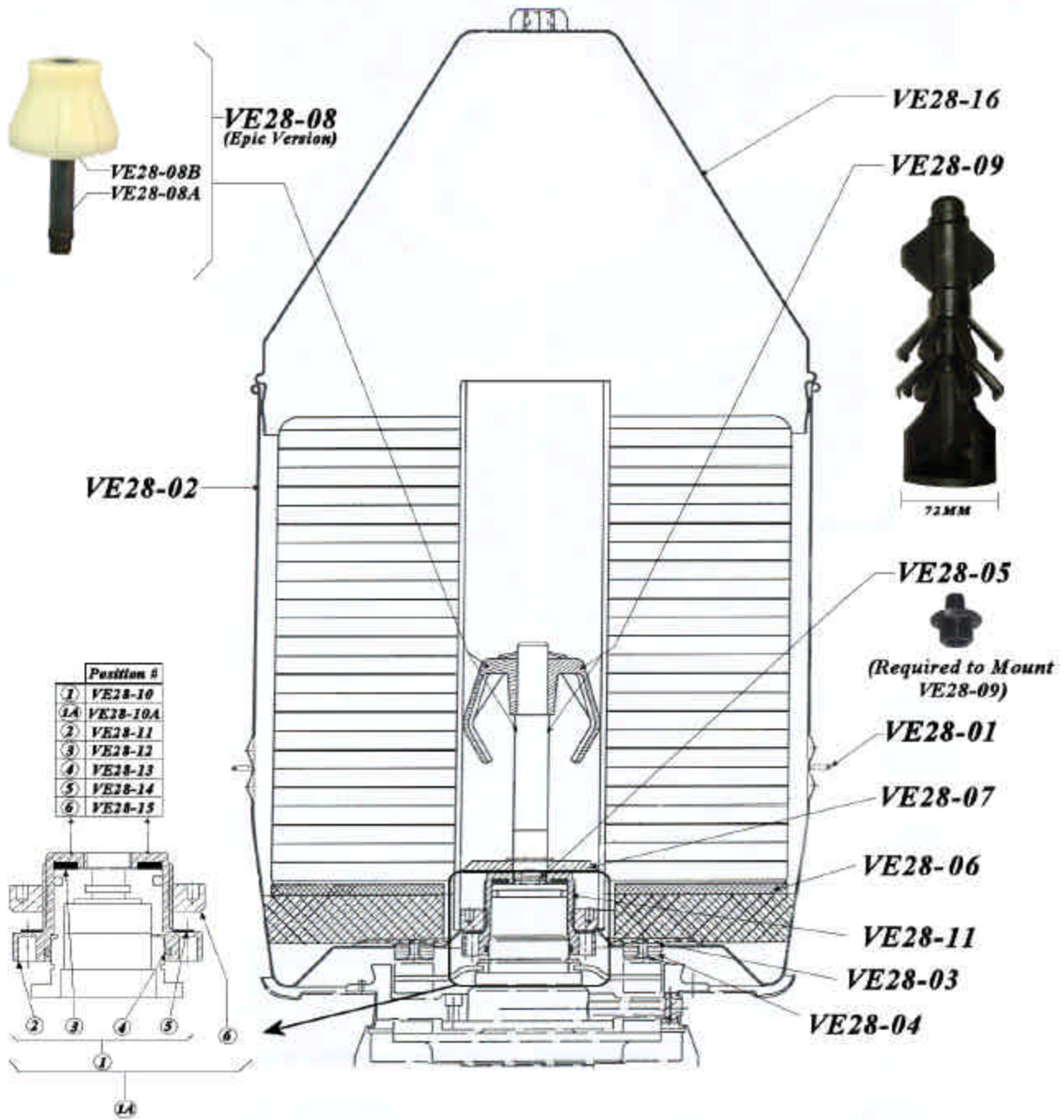
Epic products are intended as replacements for worn or damaged parts in OEM products. OEM Part numbers in (parenthesis) indicate either 1) Improved design 2) the part serves the same function as the OEM part, but may differ from the OEM design, or 3) it is a component of an assembly where no OEM reference number is available, or 4) it is a repair service for the referenced OEM part.

EE is an Epic trademark designating Epic parts

Verdol is a trademark of Rieter/ ICBT

© Epic Enterprises, March 2008





POT EQUIPMENT FOR ICBT - TYPE 1
EQUIPO DEL POTE PARA ICBT - TIPO 1

Epic Enterprises, Inc., P.O. Box 979, Southern Pines, NC 28388-0979 USA
 Telephone Toll Free 800-648-7273 or 910-692-5441 Outside USA
 Fax Toll Free 888-692-4147 or 910-692-4147 Outside USA
 Website: <http://www.epicenterprises.com> E-Mail: epic@epicenterprises.com



Position	OEM Ref. Nos.	Epic No.	Description	UOM
VE28-01	202162B01	EE380017	Device, Balloon Deflection <i>Dispositivo de Deflexion de Balon</i>	EA
VE28-02	(962036B00) (962037A01) (021085197) (021085289) (V962041.A01) (962042A01)	EE309129	Pot,Customer,Repaired, Stainless Steel Bottom, for 280mm Disc, ICBT, DT/CD <i>Pote, cliente, fondo del acero reparado, inoxidable, para el disco de 280mm, ICBT, DT/CD</i>	EA
VE28-02A	(VZ4435) (021085140) (962031800)	EE309127	Pot,Customer,Repaired, Stainless Steel Bottom, for 260mm Disc, ICBT, DT/CD <i>Pote, cliente, fondo del acero reparado, inoxidable, para el disco de 260mm, ICBT, DT/CD</i>	EA
VE28-03	92018201	EE380223	Magnet Plate Assembly for ICBT Pot <i>Asamblea de placa del imán para el pote de ICBT</i>	EA
VE28-04	(92061802) 152030C 52030C00 92001802 920001800	EE380141	Magnet, for Verdol F44, RM and ICBT <i>Iman para Verdol RM, F44 y ICBT</i>	EA
VE28-06	96500200	EE302245	Pad, Felt, Unlined, 273mm OD X 90mm ID X 8mm Thick, Gray (10 3/4" X 3 1/2" X 5/16") <i>Cojincillo de Fieltro, 273mm OD X 90mm ID X 8mm Espeso (10 3/4" X 3 1/2" X 5/16"), Gris</i>	EA
VE28-07	119460A00	EE380230	Guide Disc for Pot, 73mm <i>Disco de la guía para el pote, 73mm</i>	EA
VE28-08	(021085009) (032085058)	EE380229	Tube Centering Adaptor for Pot, 73mm, Verdol/ICBT <i>Tubo que centra el adaptador para el pote, 73mm, Verdol/ICBT</i>	EA
VE28-08A	Not Applicable	EE380228	Base Shell Extension for EE380229 Adaptor <i>Extensión baja de la cáscara para el adaptador EE380229</i>	EA



VE28-08B	(208053)	A-18326	Adaptor, Safety Take-Up (replaces 208053) <i>Adaptador de Seguridad - Reponer Verdol 208053</i>	EA
VE28-10	021085094	EE380209	Base Shell Assembly, ICBT, CD-DT <i>Conjunto de Buje Inferior, ICBT, CD-DT</i>	EA
VE28-10A	021085134 032085097	EE380213	Base Shell Assembly with Locking Nut, ICBT, CD-DT <i>Conjunto de Buje Inferior con Contratuerca, ICBT, CD-DT</i>	EA
VE28-11	96906801 96906800 96906802	EE380210	Base Shell, Only, for ICBT, CD-DT <i>Buje Inferior para ICBT, CD-DT</i>	EA
VE28-12	96906900	EE380212	Washer, Urethane, for ICBT Base Shell, CD-DT <i>Arandela de Urea para ICBT Conjunto de Buje Inferior, CD-DT</i>	EA
VE28-13	(206071)	EE303434	O-Ring, Large, Internal, for 450 Base Shell <i>Anillo "O" Grande Internal para Buje Inferior, 450</i>	EA
VE28-14	119000 96901600	EE302060	Washer, Large Rubber for 400 Base Shell and ICBT Base Shell <i>Arandela Grande de Goma para 400 Buje Bajo y ICBT Buje Bayo</i>	EA
VE28-15	96900401	EE380211	Locking Nut for ICBT Base Shell, CD-DT <i>Contratuerca para ICBT Buje Bajo, CD-DT</i>	EA
VE28-16	202845A01 96301800	EE340024	Pot Lid, Stainless Steel, for 290mm Pot <i>Tapa del bote, en acero inoxidable para bote de 290 mm</i>	EA

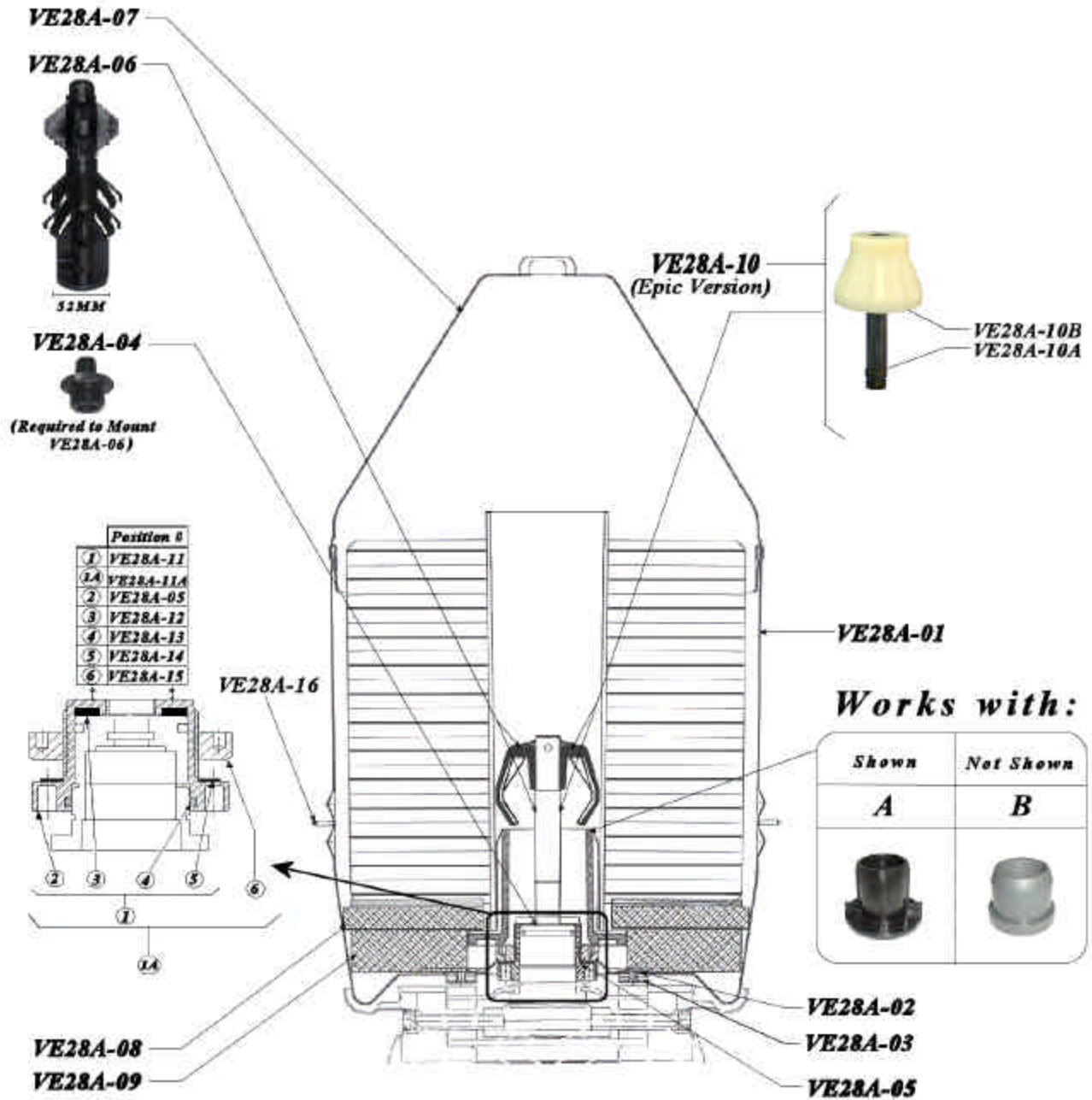
Epic products are intended as replacements for worn or damaged parts in OEM products. OEM Part numbers in (parenthesis) indicate either 1) Improved design 2) the part serves the same function as the OEM part, but may differ from the OEM design, or 3) it is a component of an assembly where no OEM reference number is available, or 4) it is a repair service for the referenced OEM part.

EE is an Epic trademark designating Epic parts

Verdol is a trademark of Rieter/ ICBT

© Epic Enterprises, March 2008





POT EQUIPMENT FOR ICBT - TYPE 2
EQUIPO DEL POTE PARA ICBT - TIPO 2

Epic Enterprises, Inc., P.O. Box 979, Southern Pines, NC 28388-0979 USA
 Telephone Toll Free 800-648-7273 or 910-692-5441 Outside USA
 Fax Toll Free 888-692-4147 or 910-692-4147 Outside USA
 Website: <http://www.epicenterprises.com> E-Mail: epic@epicenterprises.com



Position	OEM Ref. Nos.	Epic No.	Description	UOM
VE28A-01	(962036B00) (962037A01) (021085197) (021085289) (V962041.A01) (962042A01)	EE309129	Pot, Customer, Repaired, Stainless Steel Bottom, for 280mm Disc, ICBT, DT/CD <i>Pote, cliente, fondo del acero reparado, inoxidable, para el disco de 280mm, ICBT, DT/CD</i>	EA
VE28A-01A	(VZ4435) (021085140) (962031800)	EE309127	Pot, Customer, Repaired, Stainless Steel Bottom, for 260mm Disc, ICBT, DT/CD <i>Pote, cliente, fondo del acero reparado, inoxidable, para el disco de 260mm, ICBT, DT/CD</i>	EA
VE28A-02	92018201	EE380223	Magnet Plate Assembly for ICBT Pot <i>Asamblea de placa del imán para el pote de ICBT</i>	EA
VE28A-03	(92061802) 152030C 52030C00 92001802 920001800	EE380141	Magnet, for Verdol F44, RM and ICBT <i>Iman para Verdol RM, F44 y ICBT</i>	EA
VE28A-05	96906801 96906800 96906802	EE380210	Base Shell, Only, for ICBT, CD-DT <i>Buje Inferior para ICBT, CD-DT</i>	EA
VE28A-06	Not Applicable	EE980072	Package Support Assembly, for Pot, ICBT (DT2) <i>Asamblea de ayuda del paquete, para el pote, ICBT (DT2)</i>	EA
VE28A-06A	Not Applicable	EE980071	Package Support Only, for Pot, ICBT and Verdol (DT2) <i>Ayuda del paquete solamente, para el pote, ICBT (DT2)</i>	EA
VE28A-07	202845A01 96301800	EE340024	Pot Lid, Stainless Steel, for 290mm Pot <i>Tapa del bote, en acero inoxidable para bote de 290 mm</i>	EA
VE28A-08	96500200	EE302245	Pad, Felt, Unlined, 273mm OD X 90mm ID X 8mm Thick, Gray (10 3/4" X 3 1/2" X 5/16") <i>Cojincillo de Fieltro, 273mm OD X 90mm ID X 8mm Espeso (10 3/4" X 3 1/2" X 5/16"), Gris</i>	EA



VE28A-09	96500300	EE302243	Pad, Foam, Unlined, 280mm OD X 90mm ID X 15mm Thick, White (11" X 3 1/2" X 5/8") <i>Conjincillo de Espuma, 280mm OD X 90mm ID X 15mm Espeso(11" X 3 1/2" X 5/8"), Blanco</i>	EA
VE28A-09A	119261B00	EE302244	Pad, Foam, Unlined, 270mm OD X 115mm ID X 30mm Thick, White (10 5/8" X 4 1/2" X 1 3/16") <i>Cojincillo de Espuma, 270mm OD X 115mm ID X 30mm Espeso, (10 5/8" X 4 1/2" X 1 3/16") Blanco</i>	EA
VE28A-10	(021085009) (032085058)	EE380229	Tube Centering Adaptor for Pot, 73mm, Verdol/ICBT <i>Tube que centra el adaptador para el pote, 73mm, Verdol/ICBT</i>	EA
VE28A-10A	Not Applicable	EE380228	Base Shell Extension for EE380229 Adaptor <i>Extensión baja de la cáscara para el adaptador EE380229</i>	EA
VE28A-10B	(208053)	A-18326	Adaptor, Safety Take-Up (replaces 208053) <i>Adaptador de Seguridad - Reponer Verdol 208053</i>	EA
VE28A-11	021085094	EE380209	Base Shell Assembly, ICBT, CD-DT <i>Conjunto de Buje Inferior, ICBT, CD-DT</i>	EA
VE28A-11A	021085134 032085097	EE380213	Base Shell Assembly with Locking Nut, ICBT, CD-DT <i>Conjunto de Buje Inferior con Contratuerca, ICBT, CD-DT</i>	EA
VE28A-12	96906900	EE380212	Washer, Urethane, for ICBT Base Shell, CD-DT <i>Arandela de Urea para ICBT Conjunto de Buje Inferior, CD-DT</i>	EA
VE28A-13	(206071)	EE303434	O-Ring, Large, Internal, for 450 Base Shell <i>Anillo "O" Grande Internal para Buje Inferior, 450</i>	EA
VE28A-14	119000 96901600	EE302060	Washer, Large Rubber for 400 Base Shell and ICBT Base Shell <i>Arandela Grande de Goma para 400 Buje Bajo y ICBT Buje Bayo</i>	EA



VE28A-15	96900401	EE380211	Locking Nut for ICBT Base Shell, CD-DT <i>Contratuerca para ICBT Buje Bajo, CD-DT</i>	EA
VE28A-16	202162B01	EE380017	Device, Balloon Deflection <i>Dispositivo de Deflexion de Balon</i>	EA

Epic products are intended as replacements for worn or damaged parts in OEM products. OEM Part numbers in (parenthesis) indicate either 1) Improved design 2) the part serves the same function as the OEM part, but may differ from the OEM design, or 3) it is a component of an assembly where no OEM reference number is available, or 4) it is a repair service for the referenced OEM part.

EE is an Epic trademark designating Epic parts

Verdol is a trademark of Rieter/ ICBT

© Epic Enterprises, March 2008

