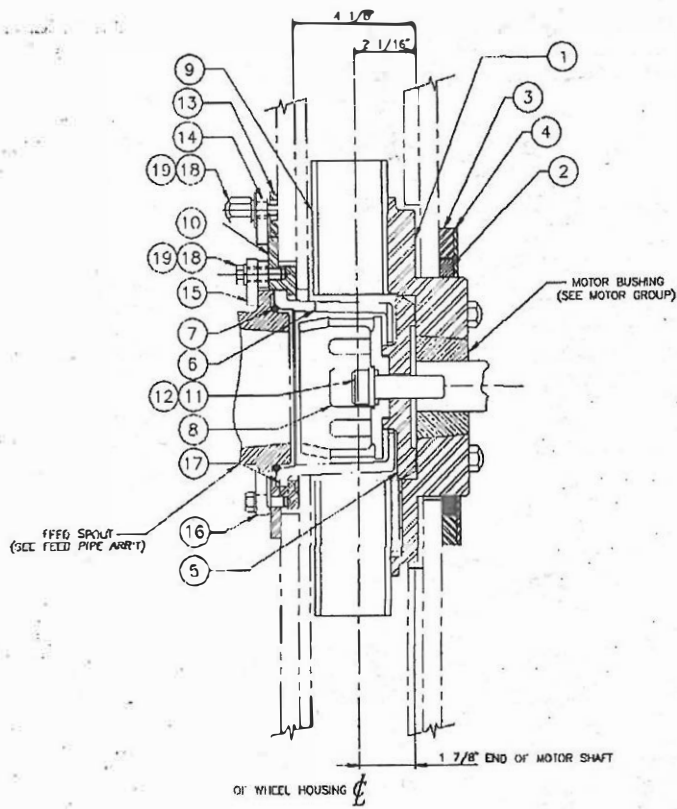
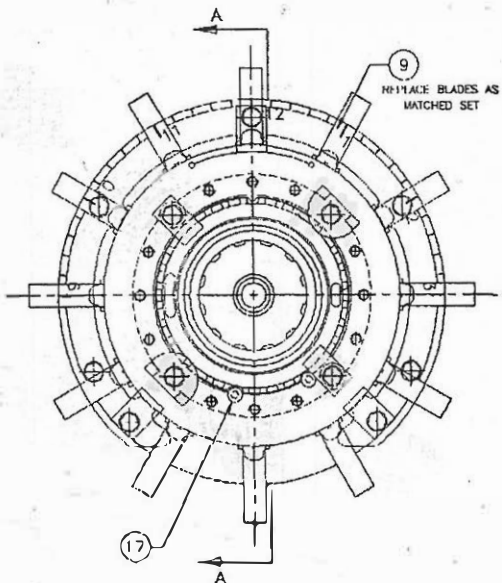


A1-37147
REV A

BCP BLAST WHEEL TUNE-UP KIT PN C109706
TUNE-UP KIT INCLUDES ITEMS MARKED *



SECTION A-A

ITEM	QTY	PART NO	DWG NO	DESCRIPTION	WT
1	1	C103452	--	BARE WHEEL	--
2	1	C19216	--	FELT SEAL	--
3	1	C107851	--	SEAL RETAINER BASE	16
4	7	C107853	--	SEAL RETAINER	4
5	1	C48475	--	CENTERING PLATE	--
* 6	1	C102127	--	CONTROL CAGE 49 DEG	--
* 7	1	C20354	--	O RING	--
* 8	1	C20351	--	IMPELLER	--
9	15	C104897	--	15 BLADE SET	--
10	1	C102128	--	CONTROL CAGE ADAPTER	8
* 11	1	C20351	--	IMPELLER BOLT	--
* 12	1	C20352	--	SPECIAL WASHER	--
13	1	C10766	--	DIAL PLATE	--
14	3	C110377	--	ADAPTER CLAMP	--
15	2	C110376	--	SPROUT CLAMP	--
16	2	CS4320	--	CONTROL CAGE CLAMP	--
17	11	--	--	1/4" HC CAP NUT C/W LOCK WASHER	--
18	7	--	--	1/4" FLAT WASHER	--
19	4	--	--	3/8" HC HEX HD BOLT X 1" LG W/LW	--

PNC109236

		U.S. FILTER/BCP 2180 SPRING ROAD DANVILLE, OHIO 43019 CANADA TEL 225		TEL/TW/FAX: (603) 827-8643 FAX: (603) 827-8202	
REV	DATE	DESCRIPTION	WT	DATE	DRAWN
A	1 AUG 1996	WHEEL INTERNALS 15"-12 BLADE 49°C		1 AUG 1996	S. L. HORTON
GROUP	NO	DRAWING NO	REV	GROUP	WEIGHT
20	N-1-107	A1 37147	A	28	LD

THIS DRAWING AND THE DESIGN SHOWN THEREIN IS THE PROPERTY OF U.S. FILTER/BCP AND USE OR REPRODUCTION WITHOUT WRITTEN CONSENT IS PROHIBITED.

Schubert Environmental Equipment, Inc.

AIR/WATER POLLUTION CONTROL EQUIPMENT

2000 Bloomingdale Rd. Glendale Heights, IL 60139 USA

888-307-9400 FAX 630-307-9474 www.schubert-env.com

To: Inland Die Cast

2-23-2006

Attn: Tom Mattingly

Hello Tom,

Couple things, Keek is out of the loop for conversations regarding your job, please. I can wrap up for you.

- 1.) The unit is set perfectly to operate till Spring.
- 2.) I will send a description of the damper set ups in a week
- 3.) I will send rough operating instructions for the Wet Collector (to the best of our experience with that collector).
- 4.) **In the meantime, KEEP THE WATER LEVEL AT THE ARROW INDICATOR IN THE WATER LEVEL SMALL TANK ATTACHED TO THE DRAG CHAIN OUTPUT HOUSING.**

ALWAYS FILL TO THIS ARROW LEVEL.... "WITH THE UNIT TURNED OFF"

IF VINCE HAS SET UP THE FLOAT BALL WATER FILL....HE SHOULD FILL UNIT TO ARROW (BLOWER OFF), THEN TURN THE UNIT ON AND SET THE FLOAT BALL TO THIS REDUCED LEVEL.... APPROX. 8" BELOW THE ARROW (AS I REMEMBER IT).

This will get you operating till I can get the written info to you.

Regards,
John Schubert



cc. Bill Betler

THIS MANUAL HAS BEEN PREPARED FOR

INLAND DIE CASTING

WHEELING, IL

MACHINE TYPE

EIGHT WHEEL WIRE MESH BELT MACHINE

SERIAL NO

2295

RECOMMENDED SPARE PARTS LIST

SERIAL # 2295

Qty.	Part #	Description	Lead Time
GROUP 3 Reclaim Screws			
2	C1132	Flange Bearing	normally stock
2	C82733	Shot Disc	1 Week
1	C138889	Reducer	2 Weeks
GROUP 5 Man Doors			
1	C8723	Micro Switch	normally stock
GROUP 9 Elevator			
1	C86322	Boot Pulley	2 Weeks
1	C141363	Head Pulley	2 Weeks
1	C141375	Elevator Belt Assembly	2 Weeks
1	C115220	Reducer	2 Weeks
2	C86205	Shot Disc	1 Week
1	C14963	Flange Bearing	normally stock
GROUP 14 Upper Screws			
1	C121739	Reducer	2 Weeks
2	C1132	Flange Bearing	normally stock
2	C82733	Shot Disc	normally stock
GROUP 20 Blast Wheels			
1	C61252	Motor, 20 HP	6-8 weeks
2	C15728	Motor Bushing	normally stock
4	C49475	Centering Plate	normally stock
8	C19216	Felt Hub Seal	normally stock
1	C59036	Top Liner	normally stock
2	C126618	Upper End Liner	normally stock
2	C62507	Lower End Liner	normally stock
8	C176246 C419786	Tune-up Kit	normally stock
1	C103452	Bare Wheel	normally stock

**MECHANICAL DRAWING LIST
INLAND DIE CAST
SERIAL # 2295**

<u>DRAWING NO.</u>	<u>DESCRIPTION</u>
GROUP 22	
A1-53004	G A 4-WHEEL SPINNER HANGER MACHINE
A2-27980	DESIGN CRITERIA AND BLAST PATTERN
05D0795	G.A. MODIFICATION
GROUP 3	
A1-52867	RECLAIM SCREW ASSEMBLY
A2-8273	TORQUE BRACKET ASSEMBLY
A3-18649	SHOT DISC ASSEMBLY
05D0929	LOWER RECLAIM ASSEMBLY
GROUP 5	
A2-27876	INSPECTION DOOR ARRANGEMENT
A1-52843	CABINET DOOR ASSEMBLY
A2-8719	MICRO SWITCH MOUNTING ASSEMBLY & DETAILS
GROUP 9	
05C304	ELEVATOR ASSEMBLY
05D0910	ELEVATOR HEAD ASSEMBLY
05D0922	ELEVATOR BOOT ASSEMBLY
A2-27842	10" BELT ASSEMBLY
A3-22316	SHOT DISC ASSEMBLY
A2-19723	TORQUE BRACKET
05D0977	ELEVATOR ARRANGEMENT
05D0920	ELEVATOR ARRANGEMENT
GROUP 10	
A1-43964	60" DOUBLE DECK SEPARATOR ASSEMBLY - RH
GROUP 14	
05D0937	LOWER CHUTE ARRANGEMENT
A1-52810	UPPER SCREW ARRANGEMENT
A3-18649	SHOT DISC ASSEMBLY
A2-8273	TORQUE BRACKET ASSEMBLY
A1-52807	UPPER SCREW ASSEMBLY
05D0919	UPPER RECLAIM ARRANGEMENT
GROUP 19	
A1-53053	DUCTING LAYOUT
GROUP 20	
A1-52558	BLAST WHEEL ARRANGEMENT
A2-27371	BLAST WHEEL ASSEMBLY
A1-37147	WHEEL INTERNALS
A1-45592	WHEEL LINER ARRANGEMENT
A3-19910	MOTOR GROUP

GROUP 27 Lining

12	C223306	Cabinet Liner	normally stock
66	220040	Cast Cap Nut	normally stock
16	C140832	Liner	2 Weeks
10	C140865	Liner	2 Weeks
10	C140866	Liner	2 Weeks
2	C141674	Liner	2 Weeks
2	C141675	Liner	2 Weeks
2	C141677	Liner	2 Weeks
2	C141679	Liner	2 Weeks
2	C141680	Liner	2 Weeks
2	C141681	Liner	2 Weeks
1	C141683	Liner	2 Weeks
1	C141684	Liner	2 Weeks
1	C141685	Liner	2 Weeks
1	C141686	Liner	2 Weeks
1	C141687	Liner	2 Weeks
1	C141688	Liner	2 Weeks

GROUP 28 Feed Pipe & Valves

1	C89218	Control Valve	normally stock
50'	C88680	Feed Hose	normally stock

GROUP 35 Work Conveyor, Puller

1	C111301	Wear Pad	2 Weeks
4	C140464	Wear Bar	2 Weeks
8	C141576	Wear Bar	2 Weeks
2	C114626	Wear Bar	2 Weeks
4	C141577	Wear Bar	2 Weeks
8	C141590	Wear Bar	2 Weeks
4	C91759	Wear Bar	2 Weeks
5	C141588	Wear Bar	2 Weeks
4	C141591	Wear Bar	2 Weeks
1	C110926	Wire Mesh Belt	

GROUP 41 Vestibule Seals

1	C141729	Seal	normally stock
1	C141727	Seal	normally stock

GROUP 24

A1-52749
05D0938

PLATFORM ARRANGEMENT
SUPERSTRUCTURE MODIFICATION

GROUP 27

A1-52974

LINERS IN LINE ARRANGEMENT

GROUP 28

A1-52998

FEED PIPE ARRANGEMENT

GROUP 35

A1-52887
A1-38091

WIRE MESH CONVEYOR ARRANGEMENT
WIRE MESH BELT SUPPORT ASSEMBLY

GROUP 41

A1-52989
A2-27935
A2-27936

VESTIBULE SEAL ARRANGEMENT
SEAL ASSEMBLY
SEAL ASSEMBLY

GROUP 64

A1-52743

VESTIBULE ARRANGEMENT

GROUP 65

A2-19804

PNEUMATIC SCHEMATIC

GROUP 73

A1-27963

TRASH AND OVERFLOW ARRANGEMENT

GROUP 75

A1-52573
A1-51933

WHEEL POD ARRANGEMENT
WHEEL POD ASSEMBLY

U.S. FILTER / BCP

Bill of Materials for Alexander City Casting Co./Internet

Date : 23-Sep-99

Sorted on Description

Job #: 2295

Page : 1

Qty.	Part #	Description	Motor Correlation	Specifications
9	C10969	AB LABEL		AB LABEL (STANDARD)
8	C10138	AMMETER 0-50A SCALE	M5-12	EM 250-340-LSNT
8	C9366	CURRENT TRANSFORMER 50:5	M5-12	EM 2SFT-500
1	C80957	DISCONNECT 400A. C/W STANDARD SHAFT, TERMINAL LUGS. AND METALLIC HANDLE.		ABB OETL-NF400P
1	C8553	DUPLEX RECEPTACLE BOX		IBERVILLE 1110/HV
1	C8552	DUPLEX RECEPTACLE COVERS		CROUSE HINDS DS-23
1	C75435	ENCLOSURE DD 72X60X10		RALSTON N12-DD-726010
1	C8459	ENCLOSURE FEET 10"		RALSTON 12-MF 10
6	C9779	FUSE 15A 600V	M1-3	GOULD AJT-15
2	C 75376	FUSE 1A 600V	PRI. TRANX	GOULD AJT-1
1	C9388	FUSE 3A 250V	SEC TRANX	GOULD TRNR-3
3	C9776	FUSE 3A 600V	M4	GOULD AJT-3
24	C9784	FUSE 45A 600V	M5-12	GOULD AJT-45
1	C10033	FUSE 5A 250V	SEC TRANX	GOULD TRNR-5
2	C10076	FUSE HOLDER 30A 250V 1P	SEC TRANX	MARATHON F30-A1S
3	C9473	FUSE HOLDER 30A 600V	M1-4	MARATHON 6J30-A3B
1	C75092	FUSE HOLDER 30A 600V 2P	PRI. TRANX	MARATHON 6J30-A2B
8	C 9415	FUSE HOLDER 60A 600V 3P	M5-12	MARATHON 6J60-A3B
1	C8771	HOUR METER		EM 240-311-AAAB
9	C9013	LABEL LAMACOID TYPE 3/4X2		LAMACOID LABEL (STANDARD)
8	EL11821	MCS OVERLOAD 12-37A	M5-12	AB 193-EA1HC
3	EL11803	MCS OVERLOAD 3.7-12A	M1-3	AB 193-EA1FB
8	EL11813	MCS STARTER 20HP 460V / 575V	M5-12	AB 100-C30D10
3	EL11809	MCS STARTER 5HP 460V / 7.5HP 575V	M1-3	AB 100-C09D10
1	C10615	OVERLOAD 0.6-0.9A	M4	AB 193-BSA90
1	C10646	OVERLOAD SEPERATE MOUNT	M4	AB 193-BPM1
1	C10508	P.B. FLUSH RED MOM.		AB 800T-A6D2
1	C10501	P.B. ILL. EXTENDED		AB 800T-QB10
1	C10749	P.B. LENS GREEN		AB 800T-N41
5	C8630	P. B. MUSHROOM MAIN. RED		AB 800T-FX6D4
2	C10511	P.L. 120VAC		AB 800T-Q10
1	C10764	P. L LENSE AMBER		AB 800T-N26A
1	C10762	P.L. LENSE RED		AB 800T-N26R
4	C10754	PENDANT STATION 1 HOLE 30MM		AB 800T-1TZ
1	EL10146	PHOTO SW. EMITTER/RECEIVER		20-GP5-TC1S-T
1	C75661	POTENTIOMETER 10K COMPLETED		POT 10K-120C
1	EL10507	PROGRAM KEYPAD MODULE	M4	AB 160-P1
2	C33115	PROXY BRACKET 18MM		BCP A4-1535
1	C8103	PROXY SWITCH 18MM INDUCTIVE NON-SHIELDED N/O 110-220VAC		BURGESS AC18/5609S
2	C10068	PROXY SWITCH 18MM INDUCTIVE SHIELDED N/O 115-220VAC		BURGESS AC18/4609S
1	C8738	PULSE BOARD 4 CHANNEL		L&S 4CH-110V
1	C8554	RECEPTACLE BROWN		LEVINGTON 5014/002
1	C10530	RELAY 2 POLE		FEME RCPTFU-8-12D10-115VAC
1	C 9196	RELAY BASE 11 PIN		ELECTROMATIC S-411
1	C8614	SHOT PROBE 4'		SHOT PROBE 4'
1	C76588	SLC COMPONENT CARD SLOT FILLER		AB 1746-N2
1	C77538	SLC COMPONENT POWER SUPPLY FOR C77535		AB 1746-P1

Qty.	Part #	Description	Motor Correlation	Specifications
1	C88501	SLC COMPONENT PROCESSOR SLC 5/03		AB 1747-L532
1	C82058	SLC COMPONENT SLC 500 4 SLOT RACK		AB 1746-A4
1	C80198	SLC COMPONENT SLC 500 OUTPUT MODULE 16PT. 120VAC		AB 1746-OW16
1	C80199	SLC COMPONENT SLC 500 OUTPUT MODULE 8PT. ISOLATED RELAY		AB 1746-OX8
1	C76894	SLC500 INPUT CARD 16 PT.		AB 1746-IA16
1	C8849	SPLITTER 400MCM-#6 CIRCUITS		MARATHON 1433553
1	EL10618	STEEL HANDLE FOR OETL-NF400A UP TO 3150A		ABB YASDA-8
1	C8545	TRANSFORMER 500VA 480/120V	TRANX	REX RXC500HA 480/120
1	EL10616	VARIABLE SPEED CONTROLLER 1/2HP-460V-60HZ	M4	AB 160-BAO1NSF1

Owner: RONY.B

Creation Date: 22-Jul-99

Customer: Alexander City Casting Co./Intermet

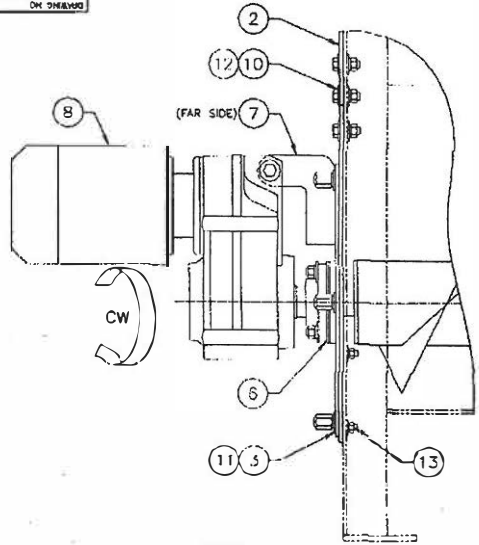
Job#: 2295

Additional Information:

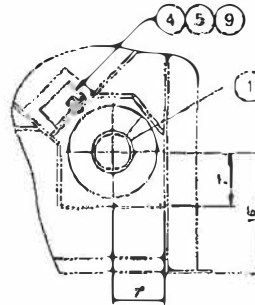
----- End of Report -----

0 29875-1V
 A26 DRAWING NO. 29875

DRAWING NO. A1-52867
 REV. 0

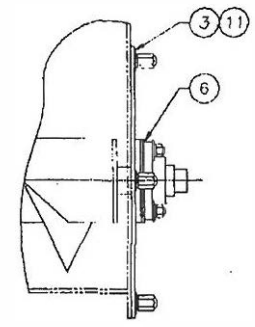


DETAIL A
 SCALE: 3" = 1'-0"

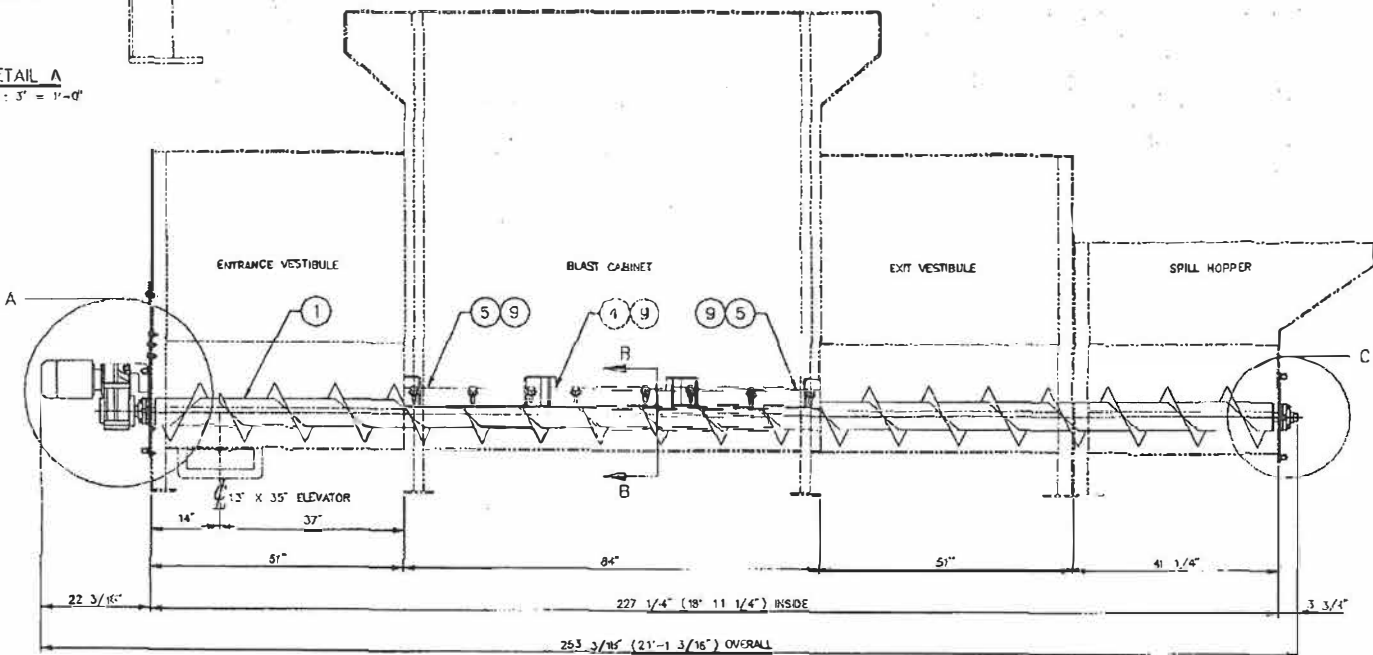


SECTION B-B
 SCALE: 1 1/2" = 1'-0"

ITEM	QTY	PART NO.	DWG NO.	DESCRIPTION	WT.
1	1	C141505	A2-27885	1 1/2" SCREW 4 GMENT (LH/RH)	297
2	1	C141495	A2-97881	VESTIBULE END PLATE	103
3	2	C92355	A3-13552	END PLATE	54
4	1	C91356	A3-13161	METERING PLATE	23
5	2	C91357	A3-13162	METERING PLATE	46
6	2	C105939	A3-18849	NI KIT LNSC ASSEMBLY (1 1/2" DIA)	8
7	1	C42458	A2-8273	TORQUE ARM ASSEMBLY (FA67)	7
8	1	C138089	-	REDUCER FA57 (3 HP @ 55 RPM)	-
9	8	220040	-	1/2" CAST CAP NUTS	-
10	7	-	-	1/2" NC X 1 1/2" HEX BOLT C/W F/W	-
11	15	-	-	1/2" NC HEX NUT C/W NUTS C/W F/W & L/W	-
12	7	-	-	1/2" NC HEX NUT C/W F/W & L/W	-
13	6	-	-	3/8" NC HEX NUT C/W F/W & L/W	-



DETAIL C
 SCALE: 3" = 1'-0"



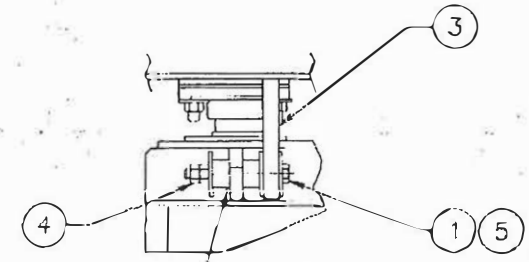
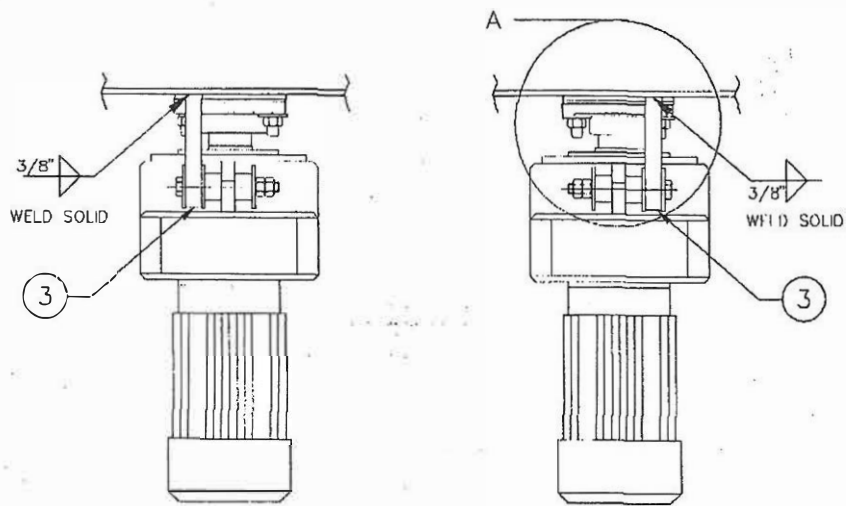
PNC141512

		U.S. FILTER/BCP 2180 SPANISH ROAD CHARLTON, MASSACHUSETTS 01520		TELEPHONE (508) 875-8843 FACSIMILE (508) 875-8800	
REV.	ENG.	DESIGNER	BY	DATE	COPY OF
				14 APR 1980	1 REVISION
THIS DRAWING AND THE DESIGN THEREIN IS THE PROPERTY OF U.S. FILTER/BCP AND USE THEREOF WITHOUT WRITTEN CONSENT IS PROHIBITED.				GROUP 03 SCALE 1" = 1'-0"	DRAWING NO. A1-52867 REV. 0

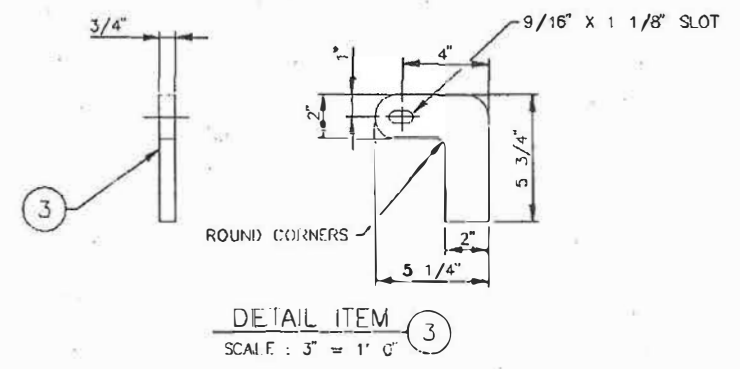
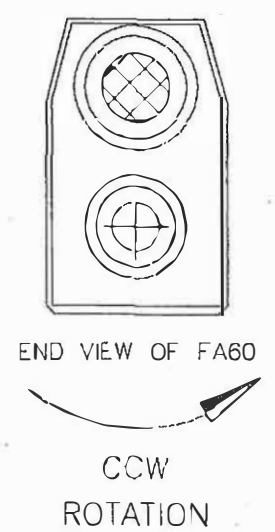
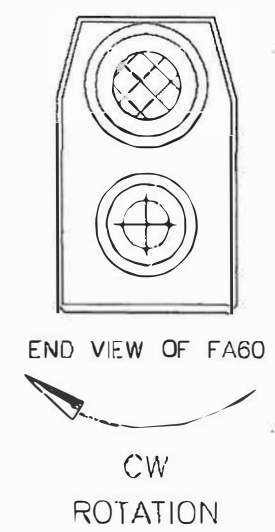
REV A
DRAWING NO
A2-8273

DRAWING NO
A2-8273
REV
A

ITEM	QTY	PART NO	DWG NO	DESCRIPTION	WT
1	1	-	-	1/2" NC HEX BOLT X 4 1/2"	-
2	2	-	-	RUBBER BUFFER (SEE NOTE)	-
3	1	-	-	PI 3/4" X 5 1/4" X 5 3/4"	7
4	2	-	-	1/2" NC JAM NUT	-
5	3	-	-	3/4" FLAT WASHER	-



DETAIL A
SCALE: 3" = 1'-0"



DETAIL ITEM 3
SCALE: 3" = 1'-0"

* NOTE:
RUBBER BUFFER IS SUPPLIED WITH REDUCER
BCP REPLACEMENT PART No: C41924

PNC42469

REV	DATE	DESCRIPTION	BY
A	12 JUN 1992	ITEM 1 WAS A SHOULDER BOLT	CS

U.S. FILTER
OCP

U.S. FILTER/OCP
2500 SPEEDS ROAD
CHRYSLER, ONTARIO
CANADA
L6L 3B2

TELEPHONE: (905) 877-0643
FACSIMILE: (905) 877-0257

TORQUE BRACKET
ASSEMBLY FOR FA60

DATE: 15 JULY 1991
DRAWN: AC
GROUP: 3
SCALE: 3" = 1'-0"

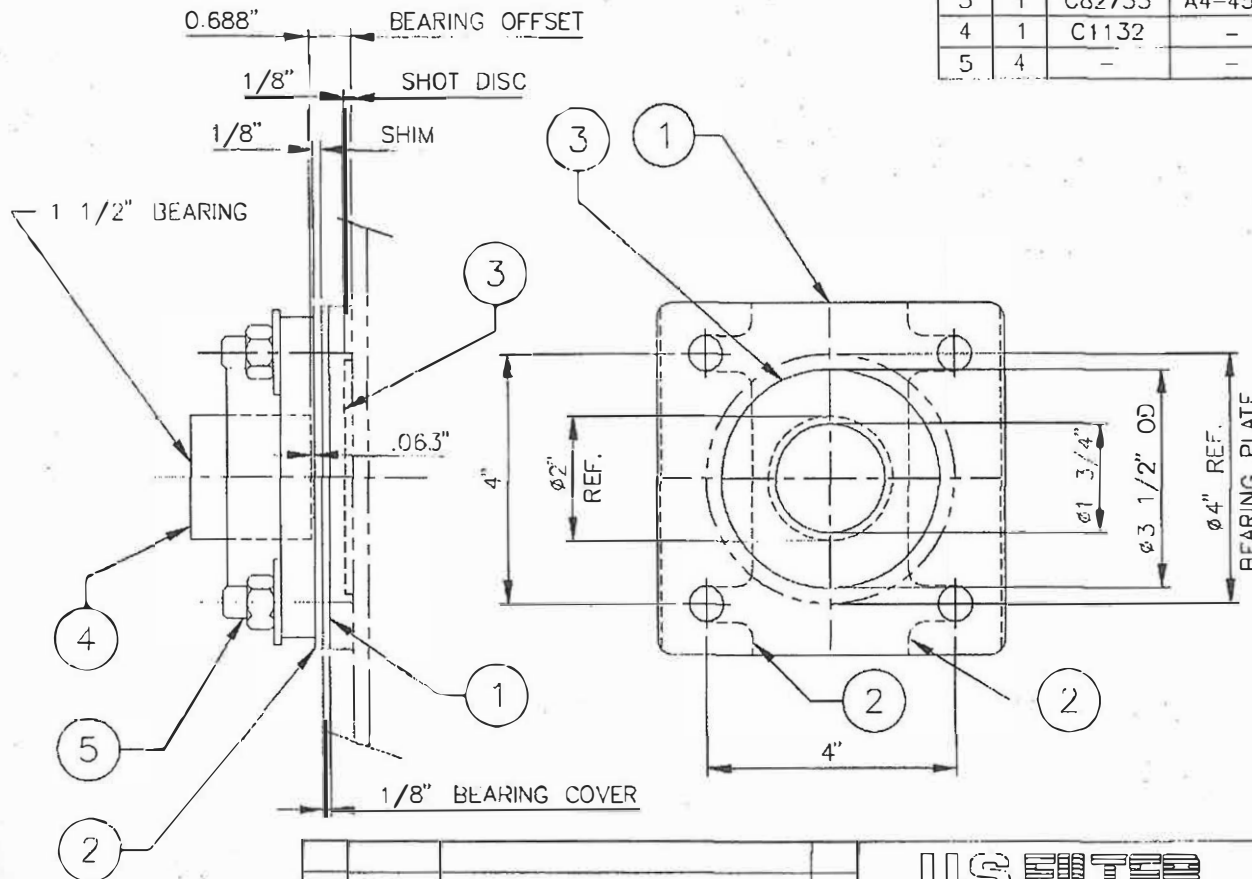
DRAWING NO: A2-8273
REV: A
COPY OF A2 4190
WEIGHT: 7 LB

THIS DRAWING AND THE DESIGN SHOWN THEREIN IS THE PROPERTY OF US FILTER/OCP AND USE OR COPIES THEREOF CANNOT BE MADE WITHOUT WRITTEN CONSENT

REV A
DRAWING NO
A3-18649

DRAWING NO
A3-18649
REV
A

ITEM	QTY	PART NO	DWG NO	DESCRIPTION	WT
1	1	C85413	A1-18/8	BEARING COVER 1 1/2" FB	2
2	2	C83843	A1-4722	SHIM (1 1/2" BRG)	2
3	1	C82733	A4-4593	SHOT DISC 1 3/4" ID X 3 1/2" OD	-
4	1	C1132	-	FLANGE BEARING 1 1/2"	-
5	4	-	-	1/2" NC HEX NUT C/W LW & FW	-



(DRAINAGE SLOT ALWAYS POINTS DOWN)

PNC105939

REV	DATE	DESCRIPTION	BY



U.S. FILTER/BCP
2180 SPEERS ROAD
OAKVILLE, ONTARIO
CANADA
L6L 2X8

TELEPHONE: (905) 827-0643
FACSIMILE: (905) 827-8552

SHOT DISC ASSEMBLY
1 1/2" BEARING
1 3/4" SHOT DISC

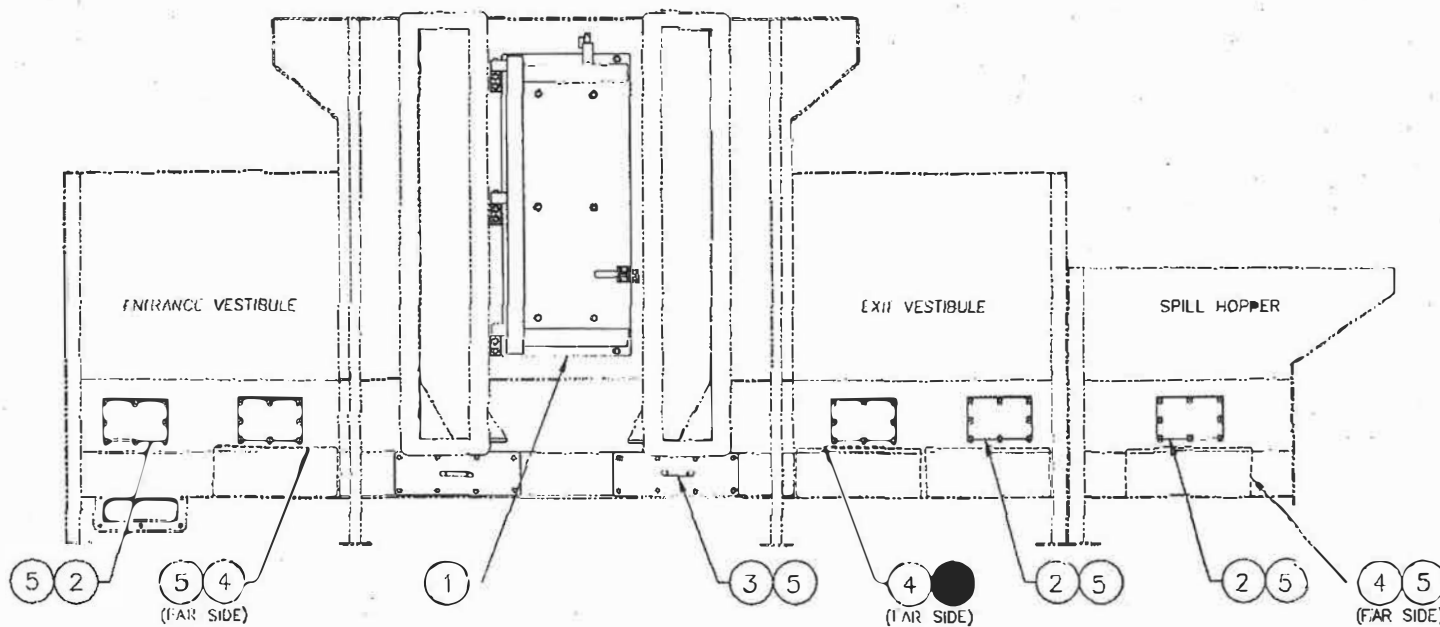
DATE 4 APRIL 1996	DRAWN S MCBRIDE	COPY OF A3-18608
GROUP 14	SCALE 6"=1'-0"	DRAWING NO A3-18649
REV A	WIGHT 4 LB	

THIS DRAWING AND THE DESIGN SHOWN THEREIN IS THE PROPERTY OF U.S. FILTER/BCP AND USE OR COPIES THEREOF CANNOT BE MADE WITHOUT WRITTEN CONSENT

REV 0
DRAWING NO
A2-27876

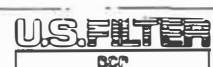
DRAWING NO
A2-27876
REV 0

ITEM	QTY	PART NO	DESC NO	DESCRIPTION	WT
1	2	C141474	A1-52843	CABINET DOOR ASSEMBLY	644
2	5	C84771	A3-10795	COVER	55
3	2	C109366	A3-111952	COVER	28
4	4	C81093	A3-9360	COVER	60
5	88	-	-	3/8" NG CAP NUT C/W F/W & L/W	-



PNC141470

REV	DATE	DESCRIPTION	BY



U.S. FILTER/BCP
2180 SPEERS ROAD
GAINESVILLE, ONTARIO
CANADA
L6L 2X2

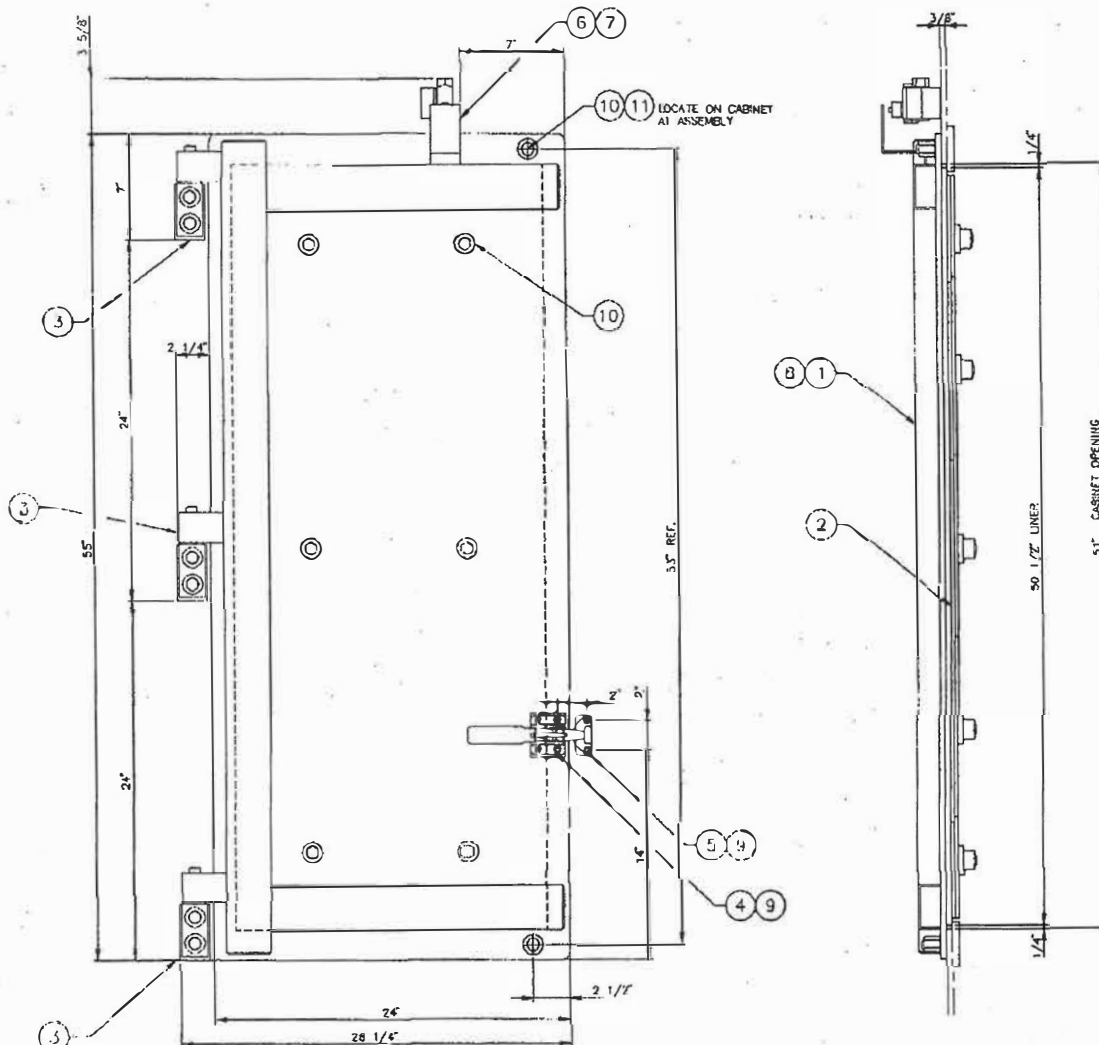
TELEPHONE: (905) 827-8843
FACSIMILE: (905) 827-8552

INSPECTION DOOR
ARRANGMENT

DATE	11 JUNI 1999	DRAWN	I RUSHTON	COPY OF
GROUP	US	SCALE	3/4"=1'-0"	DRAWING NO
				A2-278/6
		REV	0	WEIGHT
				18/ LB

THIS DRAWING AND THE DESIGN SHOWN THEREIN IS THE PROPERTY OF U.S. FILTER/BCP AND USE OR COPIES THEREOF CANNOT BE MADE WITHOUT WRITTEN CONSENT

REV 0
DRAWING NO
A1-52843



REV	QTY	PART NO	DWG NO	DESCRIPTION	WT
1	1	C138666	A1-51993	CABINET DOOR WELDMENT	188
2	1	C141472	A1-52842	DOOR LINER ARRANGEMENT	110
3	3	C91590	1A3 13224	HINDE ASSEMBLY	15
4	1	C120943	-	LATCH ASSEMBLY	2
5	1	C133062	A4 9086	MOUNTING PLATE	-
6	1	C77485	A2-8216	MICRO SWITCH MOUNTING ASSEMBLY	2
7	1	C96708	A4-5958	MICRO SWITCH STRIKER PLATE	1
8	1	C154100	-	1/4" HIL X 1/4"	-
9	6	-	-	1/4" NC HIL NUT C/W E/W	1
10	8	-	-	1/2" NC CAP NUT C/W E/W & L/W	-
11	2	-	-	1/2" NC X 1 1/4" SS WELDSTUD	-

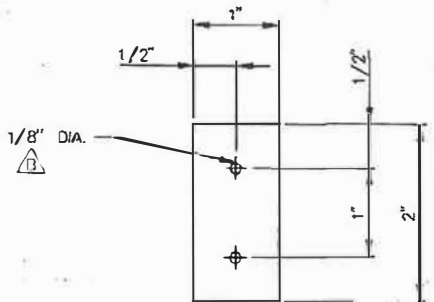
PNC141474

		U.S. FILTER/BCP 10000 SHELBY ROAD SHARPLE DOWNS FARMER TN 384		REFERENCE (SHEET) 377 0411 PARTIAL NO. (SHEET) 377 0411	
DATE	11 JUNE 1999	DESIGN	L. RUS/POH	GROUP OF	A1-52843
DRAWN	BY	SCALE	5" = 1'-0"	REV	0
CABINET DOOR ASSEMBLY			DRAWING NO	A1-52843	REV
THIS DRAWING AND THE DESIGN HEREIN ARE THE PROPERTY OF U.S. FILTER/BCP AND ARE TO BE KEPT IN CONFIDENTIALITY. NO REPRODUCTION OR DISSEMINATION IS TO BE MADE WITHOUT WRITTEN CONSENT.			DATE	05	377 0411

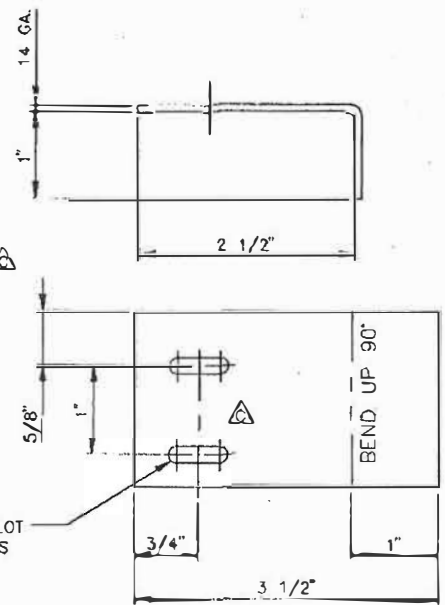
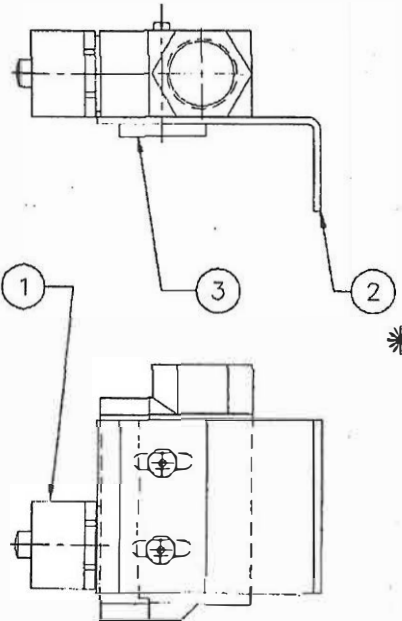
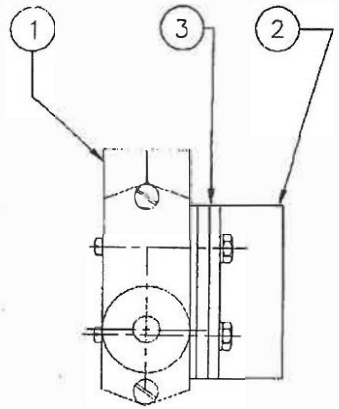
REV C
DRAWING NO
A2-8719

DRAWING NO
A2-8719
REV
C

ITEM	QTY	PART NO	OWG NO	DESCRIPTION	WT
1	1	CB723	-	MICRO SWITCH C/W HARDWARE	-
2	1	-	-	14 GA X 2" X 3 1/2"	1
3	1	-	-	BAR 1/8" X 1" X 2"	1



DETAIL ITEM 3
SCALE: FULL SIZE



DETAIL ITEM 2
SCALE: FULL SIZE

*NOTE: SLOTS TO BE PUNCHED
DO NOT BURN

PNC77485

REV	DATE	DESCRIPTION	BY
C	3 MAY 1991	SLOT RELOCATED AND HOLE ELIMINATED	SLH
B	17 MARCH 1992	REMOVED ITEMS 4 & 5, 1/8 DIA. WAS 1/4 DIA., 3/16 WAS 1/4"	MB
A	26 FEB 1992	#6 SCREW WAS # 10-24	MB



U.S. FILTER/BCP
2180 SPIERS ROAD
DARWILL, ONTARIO
CANADA
L6L 2X8

TELEPHONE: (905) 827-0843
FACSIMILE: (905) 827-8532

MICRO SWITCH
MOUNTING ASSY
& DETAILS

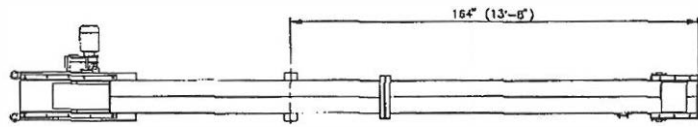
GROUP	SCALE	DRAWING NO	REV	WEIGHT
1	FWD 50%	A2-8719	C	2 LB

THIS DRAWING AND THE DESIGN SHOWN THEREIN IS THE PROPERTY OF U.S. FILTER/BCP AND USE OR COPIES THEREOF CANNOT BE MADE WITHOUT WRITTEN CONSENT

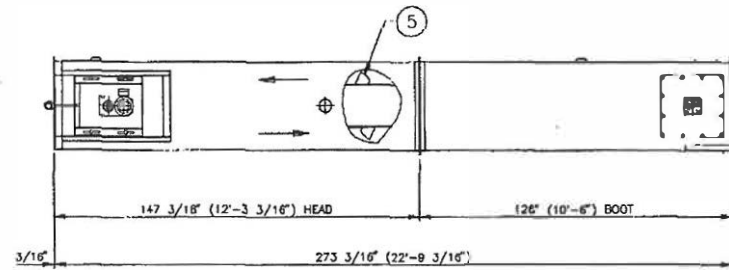
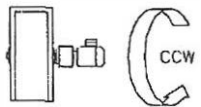
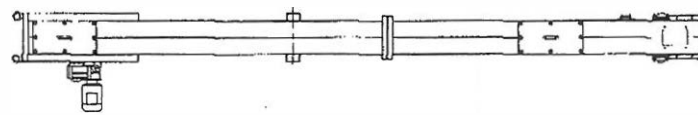
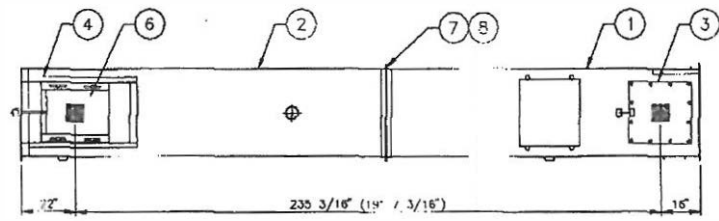
0
DRAWING NO. A1-52799

DRAWING NO. A1-52799
REV. 0

ITEM	QTY	PART NO.	ENG. NO.	DESCRIPTION	WT.
1	1	C138742	A1-51539	BOOT SECTION	799
2	1	C141371	A1-52793	HEAD SECTION	918
3	1	C141367	A2-27830	BOOT ASSEMBLY	369
4	1	C141368	A1-52790	HEAD ASSEMBLY	351
5	1	C141375	A2-27842	BELT ASSEMBLY (10" BKPS @ 12" SP)	10
6	1	C115220	-	REDUCER (5 HP @ 61 RPM @ 60 V)	-
7	12	-	-	1/2" NC X 1 1/2" BOLT C/W F/W	-
8	12	-	-	1/2" NC HEX NUT C/W F/W & L/W	-



#6 →



PNC141379

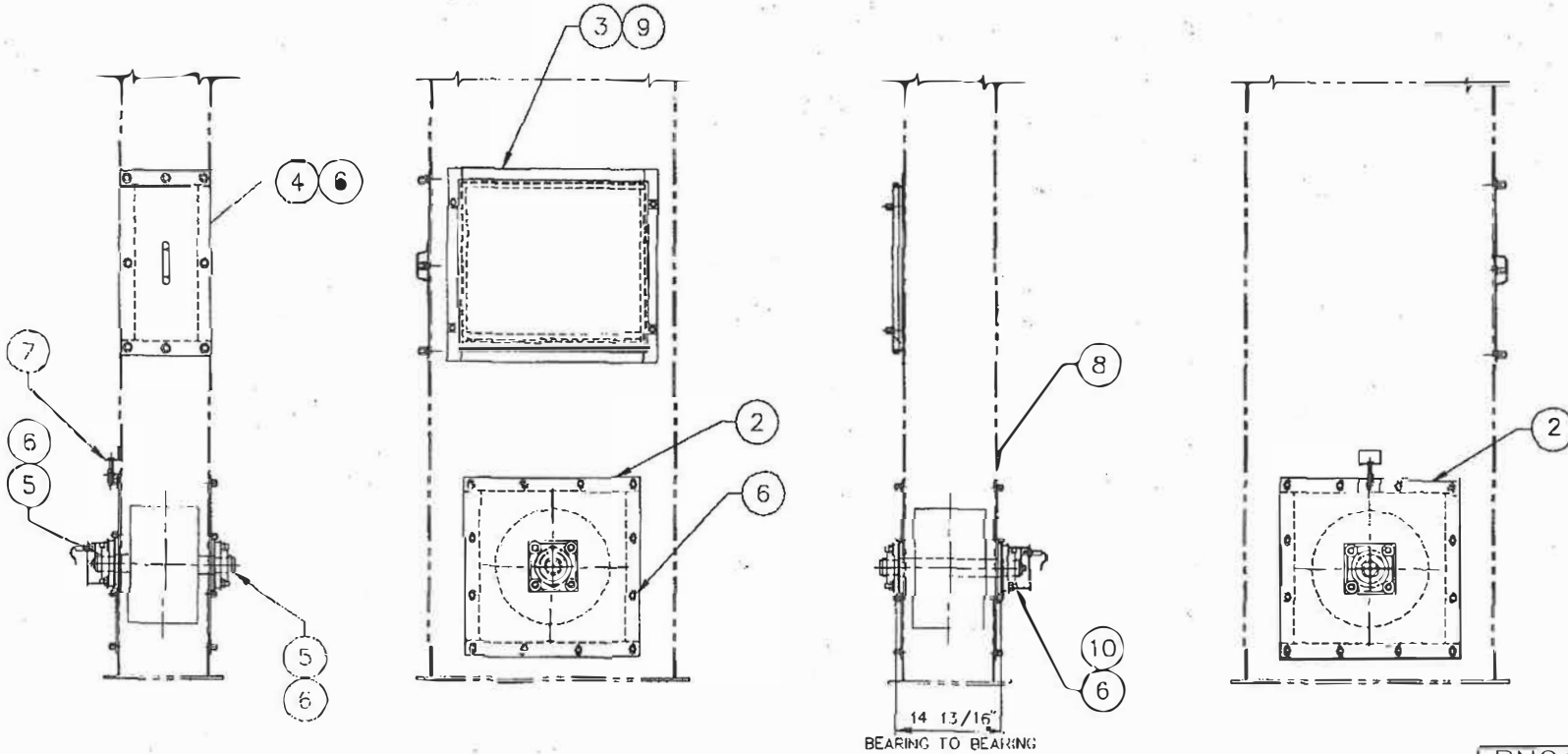
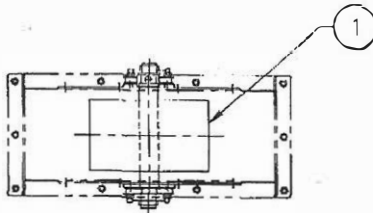
		U.S. FILTER/BCP 2150 SPYER BLVD. GAITHERSBURG, MARYLAND 20878-1208		TELEPHONE: (301) 837-0843 FACSIMILE: (301) 837-8302	
REV. DATE DESCRIPTION BY		ELEVATOR ASSEMBLY 13" X 35"		U.S. FILTER/BCP 2150 SPYER BLVD. GAITHERSBURG, MARYLAND 20878-1208	
THIS DRAWING AND THE DESIGN SHOWN THEREON IS THE PROPERTY OF U.S. FILTER/BCP AND USE OR COPIES THEREOF CANNOT BE MADE WITHOUT WRITTEN CONSENT		DATE: JUN 1999 SCALE: 1/2" = 1'-0"		DRAWN: L. BUSHION CHECKED: A1-52799 REV. 0	
				COPY OF A1-52799 WEIGHT 2411 LB	

REV C
DRAWING NO A2-27839

DRAWING NO
A2-27839
REV
0

1	1	POULIE BASSE
2	2	PLAQUE DE PALIER AJUSTABLE
3	1	COUVERT D'INSPECTION DE DEVANT
4	1	COUVERT D'INSPECTION DE COTE
5	2	ASSEMBLAGE DE DISQUE DE SHOT 2" (FB)
6	22	ECROU 1/2" NC HEX AVEC R & RS
7	1	ASSEMBLAGE DE PLAQUE D'AJUSTEMENT
8	1	BARRE 1/4" X 2" X 3"
9	18	CAPNUT 3/8" NC AVEC R & RS
10	1	ZERO SPEED SWITCH 2" (FB)

ITEM	QTY	PART NO	DWG NO	DESCRIPTION	WT
1	1	C86379	A2-10871	BOOM PULLEY (HIGH TEMP)	80
2	2	C55597	A2-6103	ADJUSTABLE BEARING PLATE	200
3	1	C94422	A2-13219	FRONT INSPECTION COVER	47
4	1	C133289	A3-28410	SIDE INSPECTION COVER	18
5	2	C116411	A3-22316	SHOT DISC ASSEMBLY (2" FB)	8
6	22	-	-	1/2" NC CAP NUT C/W L/W & L/W	-
7	1	C55995	AJ 5195	PLATE ADJUSTER ASSEMBLY	8
8	1	-	-	BAR 1/4" X 2" X 3"	1
9	18	-	-	3/8" NC ILX NUT C/W F/W & L/W	-
10	1	C97252	A2-14031	ZERO SPEED SWITCH 2" (FB)	3



BEARING TO BEARING

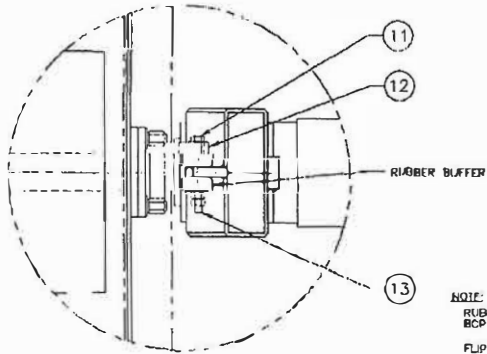
PNC141367

				U.S. FILTER/BCP 2180 SPEED ROAD CANVILLE, OHIO 44703 CANON 661 2X8		TELEPHONE: (905) 827-0843 FACSIMILE: (905) 827-0502				
REV	DATE	DESCRIPTION	BY	DATE	DRAWN	COPY OF				
				09 JUN 1999	L KUSHION	A2-25461				
THIS DRAWING AND THE DESIGN SHOWN THEREIN IS THE PROPERTY OF US FILTER/BCP AND USE OR COPIES THEREOF CANNOT BE MADE WITHOUT WRITTEN CONSENT				13" X 35" ELEVATOR BOOT ASSEMBLY		GROUP	SCALE	DRAWING NO	REV	WEIGHT
				09	1" = 1'-0"	A2-27839	0	365 LB		

06222G-A1-52790
 000

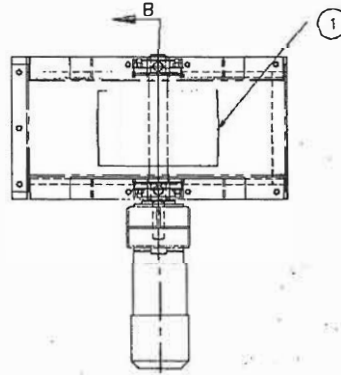
DRAWING NO
 A1-52790
 REV
 0

ITEM	QTY	PART NO	DESC NO	DESCRIPTION	WT
1	1	C3411013	A3-27437	HEAD PULLEY (HIGH TEMP)	08
2	1	C94475	A3-14373	TOP COVER PLATE 13" X 35"	38
3	2	C75872	A2-8374	LIFT-UP PLATE	176
4	2	C118111	A3-22416	SHO L BRG ASSEMBLY 2" FB	8
5	2	C36981	A3-15407	TAKE-UP BRKT	-
6	1	C133289	A3-28110	SIDE WASHDOWN COVER	18
7	1	C115223	A2-19723	TORQUE IMPACT T (287)	25
8	25	-	-	1/2" NC HEX NUT C/W FW & LW	-
9	3	-	-	5/8" NC CAP NUT C/W FW & LW	-
10	8	-	-	1/2" NC HEX BOLT X 1 1/4" C/W FW	-
11	1	-	-	1/2" NC HEX BOLT X 6	-
12	1	-	-	1/2" FLAT WASHER	-
13	2	-	-	1/2" NC HEX NUT	-

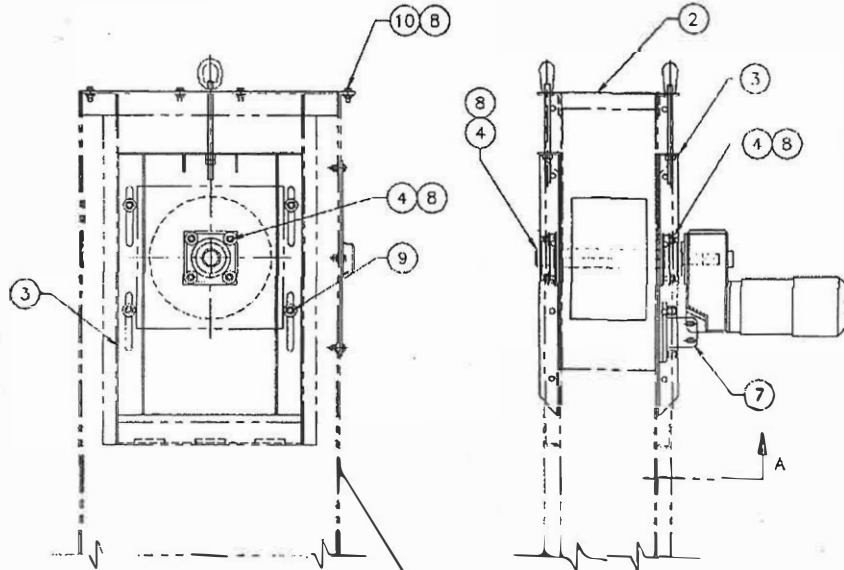


VIEW A
 SCALE: 3" = 1'-0"
 CCW ROTATION

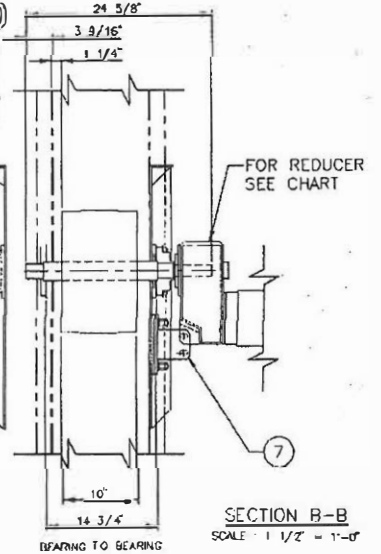
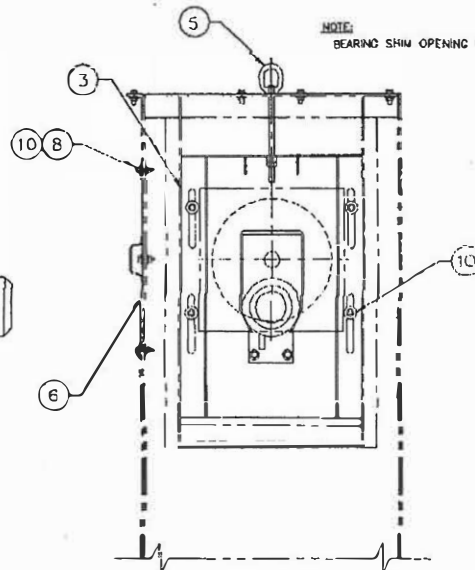
NOTE:
 RUBBER BUFFER IS SUPPLIED WITH REDUCER
 BCP REPLACEMENT PART NUMBER C41924.
 FLIP TORQUE BRACKET 180° FOR CLOCKWISE
 ROTATION.



NOTE:
 BEARING SHIM OPENING MUST FACE DOWN



ELEVATOR HEAD SECTION



SECTION B-B
 SCALE: 1 1/2" = 1'-0"
 BEARING TO BEARING

PNC141368

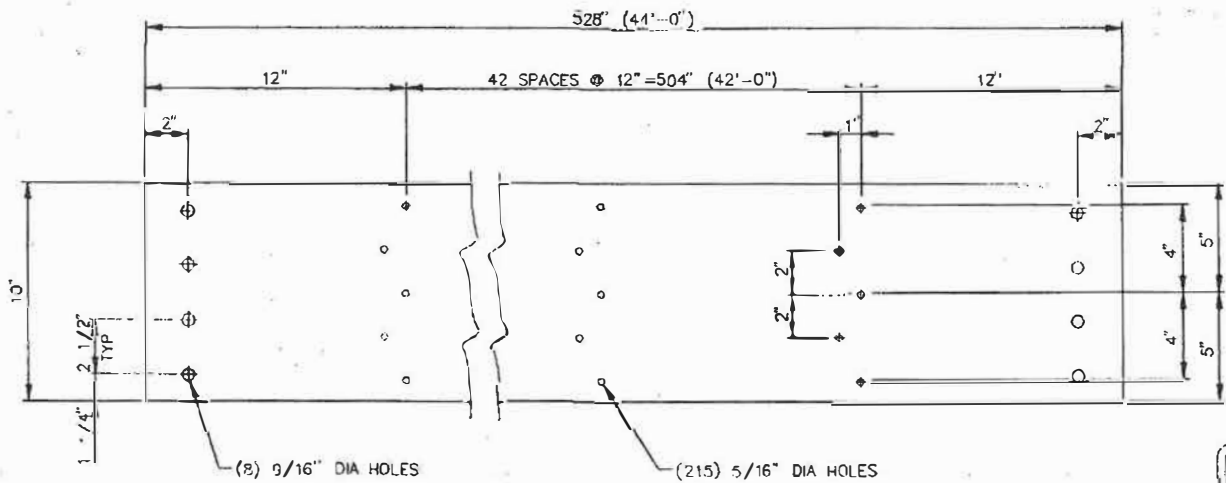
REV	DATE	DESCRIPTION	BY	DATE	DRW NTH	REV	COPY OF
							A1-52790
U.S. FILTER/BCP 2100 SPRING ROAD FARMVILLE, VIRGINIA 22430 CANADA TEL 228				FIELDHEAD (813) 877-0840 FACTORY (803) 877-8582		GROUP 08	
13" X 35" ELEVATOR HEAD ASSEMBLY				DRAWING NO A1-52790		REV 0	

THIS DRAWING AND THE ORIGINAL CONTAIN INFORMATION OF THE UNITED STATES PATENT OFFICE AND ARE UNCLASSIFIED EXCEPT WHERE SHOWN OTHERWISE BY THE PATENT OFFICE

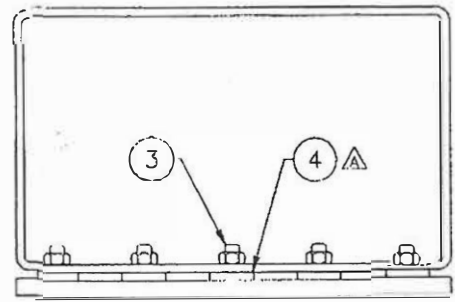
0 REV
A2-27842
DRAWING NO

DRAWING NO
A2-27842
REV
0

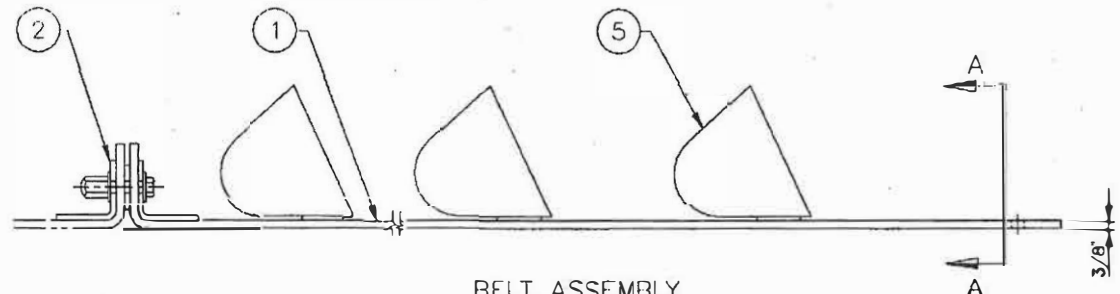
ITEM	QTY	PART NO	DWC NO	DESCRIPTION	WT
1	1	C82701	-	3/8" X 10" X 44'-0" (HIGH TEMP)	-
2	1	C95056	A3-14552	BELT SPLICER	10
3	215	C53233	-	BOLT ASSEMBLY (BUCKET)	-
4	215	01029	-	LEATHER WASHER	-
5	13	C75137	-	ELEVATOR BUCKET	-



ASSEMBLY NOTE:
BUCKETS TO BE MOUNTED
ON THICK SIDE



SECTION A-A
SCALE : 6" = 1'-0"



BELT ASSEMBLY
SCALE : 3" = 1'-0"

PNC141375

REV	DATE	DESCRIPTION	BY



U.S. FILTER/BCP
3180 SPITERS ROAD
CARVILLE, ONTARIO
CANADA
L0L 1K8

TELEPHONE (905) A27-0643
FACSIMILE (905) 827-5552

THIS DRAWING AND THE DESIGN SHOWN THEREIN IS THE PROPERTY OF US FILTER/BCP AND USE OR COPIES THEREOF CANNOT BE MADE WITHOUT WRITTEN CONSENT

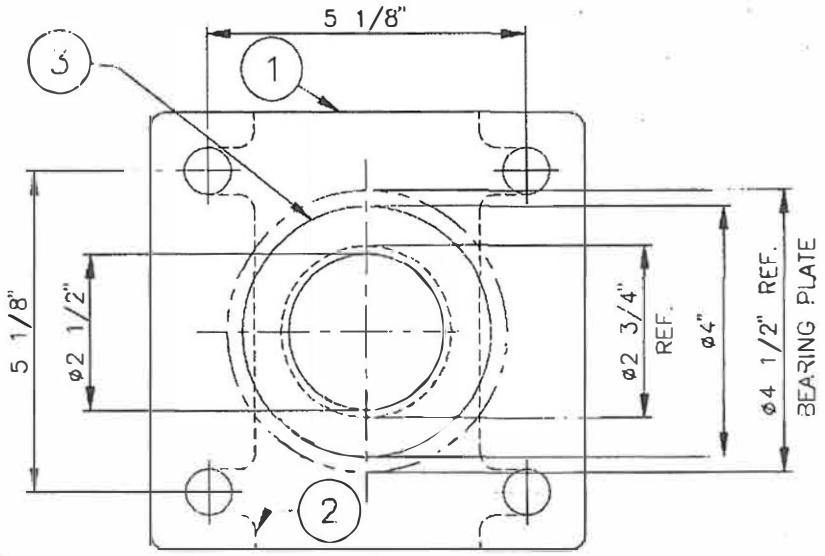
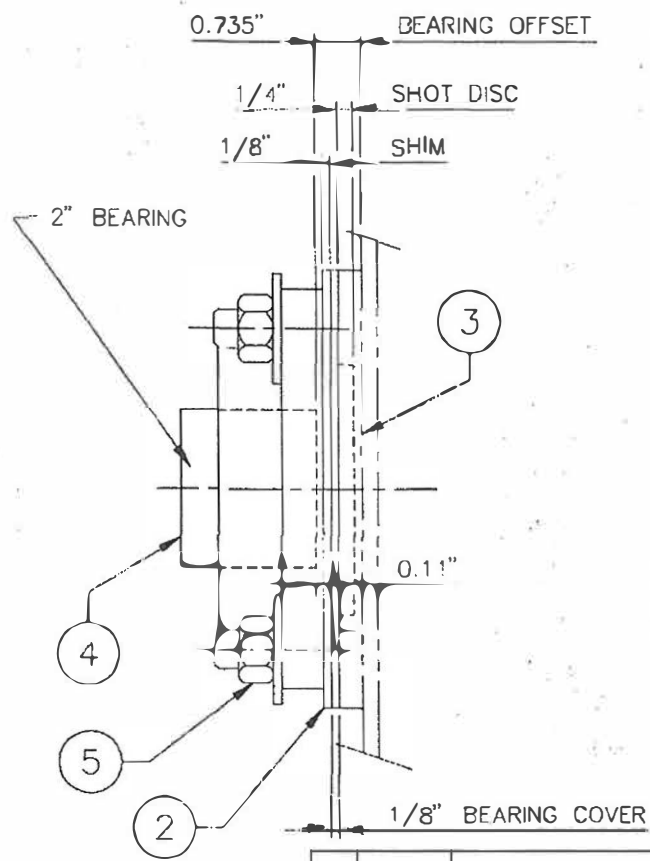
10" BELT ASSEMBLY
13' X 35" ELEVATOR
12" SPACING

DATE	SCALE	DRAWN	COPY OF
09 JUNE 1999	3" = 1'-0"	L. RUSHTON	A2-27071
GROUP	SCALE	DRAWING NO	REV
09	3" = 1'-0"	A2-27842	0
WEIGHT	10 LB		

REV 0
DRAWING NO A3-22316

DRAWING NO A3-22316
REV 0

ITEM	QTY	PART NO	DWG NO	DESCRIPTION	WT
1	1	C83165	A3-10150	BEARING COVER (2" IB)	2
2	2	C85529	A4-4888	SHIM (2" LRG)	2
3	1	C86205	A4-4967	SHOT DISC (2 1/2" ID X 4" OD)	-
4	1	C14963	-	2" DIA FLANGE BEARING	-
5	1	-	-	1/2" NC HEX NUT C/W F/W & L/W	-



PNC116411



U.S. FILTER/BCP
2180 SPICERS ROAD
OAKVILLE, ONTARIO
CANADA
L6L 2X8

TELEPHONE: (905) 827-0543
FACSIMILE: (905) 827-8552

REV	DATE	DESCRIPTION	BY

SHOT DISC ASSEMBLY
2" BEARING
2 1/2" SHOT DISC

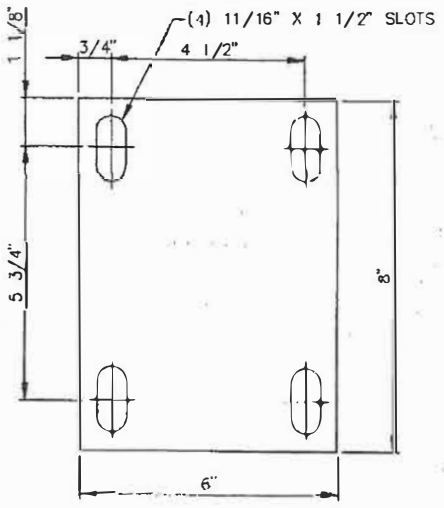
DATE 2 MAY 1997	DRAWN S MCBRIDE	COPY OF A3 18723
GROUP 9	SCALE 6"=1'-0"	DRAWING NO A3-22316
REV 0	WEIGHT 4 LB	

THIS DRAWING AND THE DESIGN SHOWN HEREIN IS THE PROPERTY OF US FILTER/BCP AND USE OR COPIES THEREOF CANNOT BE MADE WITHOUT WRITTEN CONSENT

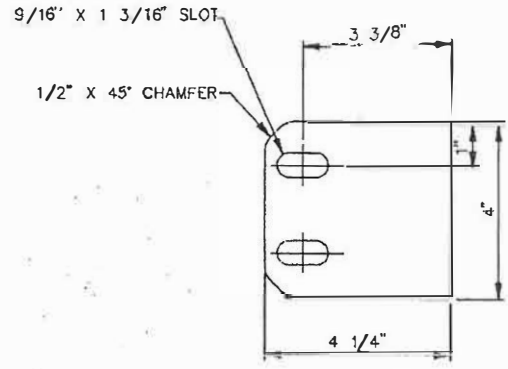
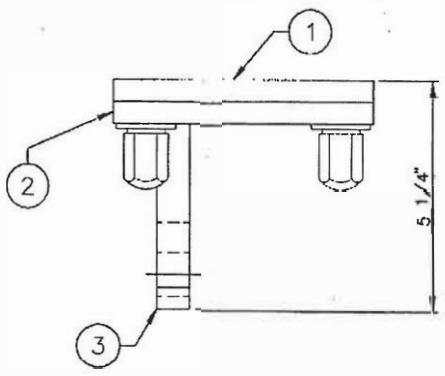
REV 0
DRAWING NO. A2-19723

DRAWING NO. A2-19723
REV 0

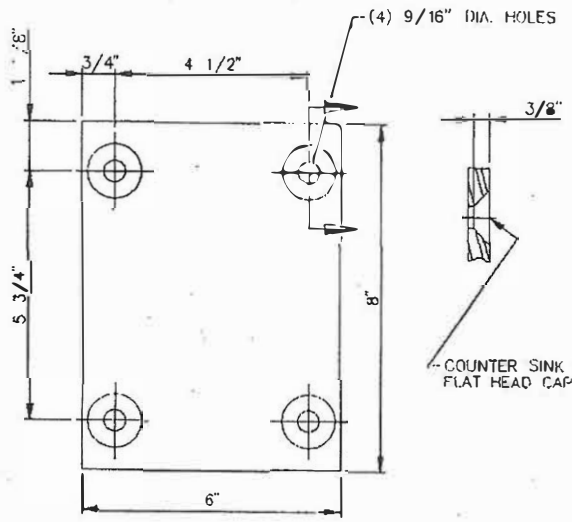
ITEM	QTY	PART NO	DWG NO	DESCRIPTION	WT
1	1	-	-	BAR 1/2" X 6" X 8"	7
2	1	-	-	BAR 1/2" X 6" X 8"	7
3	1	-	-	BAR 3/4" X 4" X 4 1/4"	4
4	4	-	-	1/2" NC FLAT HEAD CAP SCREW X 1 3/4"	-
5	4	-	-	1/2" NC HARDENED CAP NUT	-
6	4	-	-	1/2" FLAT WASHER	-
7	4	-	-	1/2" LOCK WASHER	-



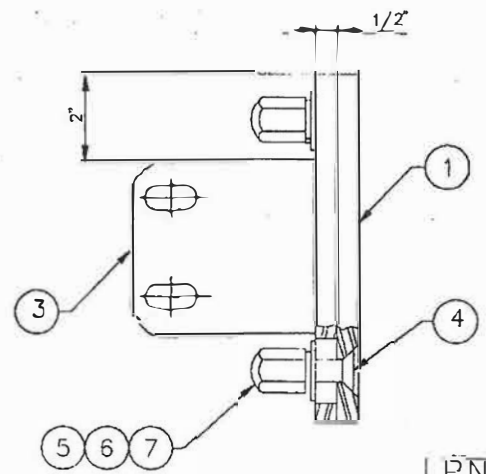
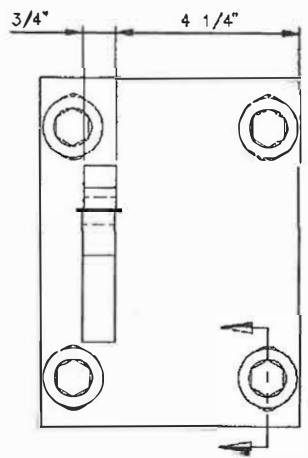
DETAIL ITEM 2
SCALE: 6" = 1'-0"



DETAIL ITEM 3
SCALE: 6" = 1'-0"

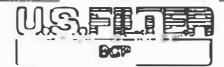


DETAIL ITEM 1
SCALE: 6" = 1'-0"



PNC115223

REV	DATE	DESCRIPTION	BY



U.S. FILTER/BCP
2180 SPEERS ROAD
ONKYO, ONTARIO
CANADA
L6L 2X8

TELEPHONE: (905) 827-0843
FACSIMILE: (905) 827-8552

TORQUE BRACKET
FA67 OR SK3282

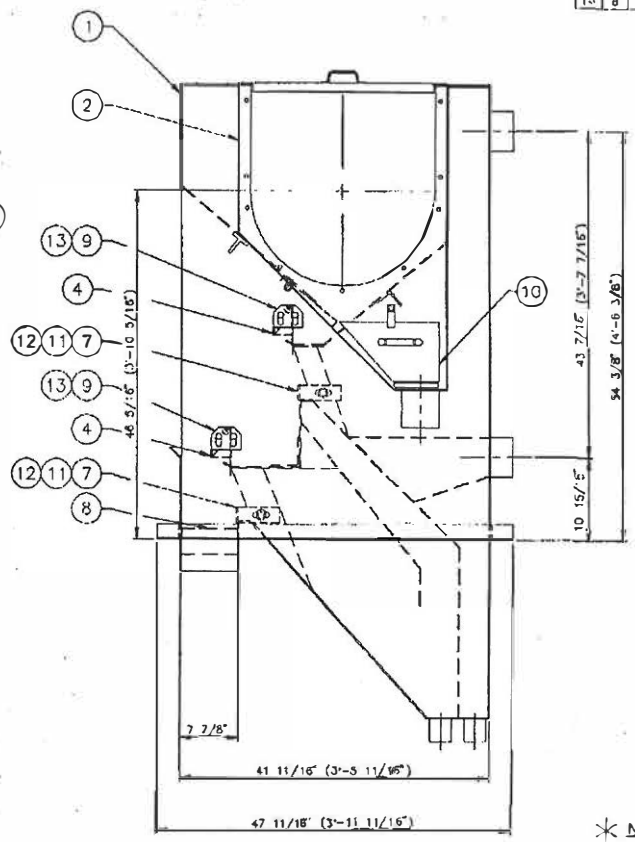
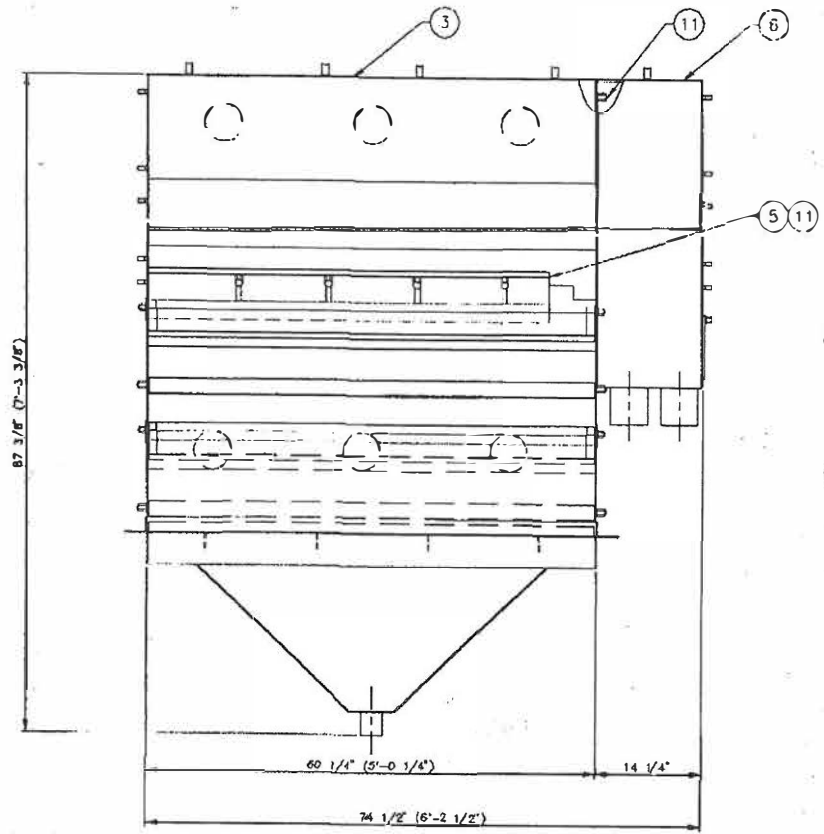
DATE	DRAWN	COPY OF		
23 MARCH 1997	S. DAVIES	A2-9898		
GROUP	SCALE	DRAWING NO	REV	WEIGHT
9	6" = 1'-0"	A2-19723	0	18 LB

THIS DRAWING AND THE DESIGN SHOWN THEREIN IS THE PROPERTY OF US FILTER/BCP AND USE OR COPIES THEREOF CANNOT BE MADE WITHOUT WRITTEN CONSENT

A1-43964
 DRAWING NO. 08/28/88
 A34

DRAWING NO. A1-43964
 REV. 0

ITEM	QTY	PART NO.	ENG. NO.	DESCRIPTION	WE.
1	1	C77926	A1-222-3	SEPARATOR CASING	1500
2	1	C75363	A2-8146	EXTENSION HOUSING R/H	171
3	2	C75446	A2-8150	SEPARATOR LID	72
4	2	C75394	A2-8150	SWINGING BAFFLE	62
5	1	C75397	A2-8151	SLIDING BAFFLE	20
6	1	C75447	A2-8180	EXTENSION COVER LID	19
7	2	C75395	A3-7135	ADJUSTABLE JIP	28
8	1	C75396	A3-7196	REMOVABLE SCREEN	10
9	4	C75831	A3-7375	BAFFLE ADJUSTER	4
10	1	G98815	A4-16061	TRASH FLAP	4
11	12	-	-	1/2" NC MILD STL CAP NUT C/W L/W	-
12	4	-	-	1/2" NC X 1" CARBIDE BOLT	-
13	8	-	-	3/8" NC MILD STL CAP NUT C/W L/W	-



* NOTE:
 APPLY 2" FELT SEAL PNC15000
 WHEN ASSEMBLING ITEMS
 1 AND 2

PNC123165

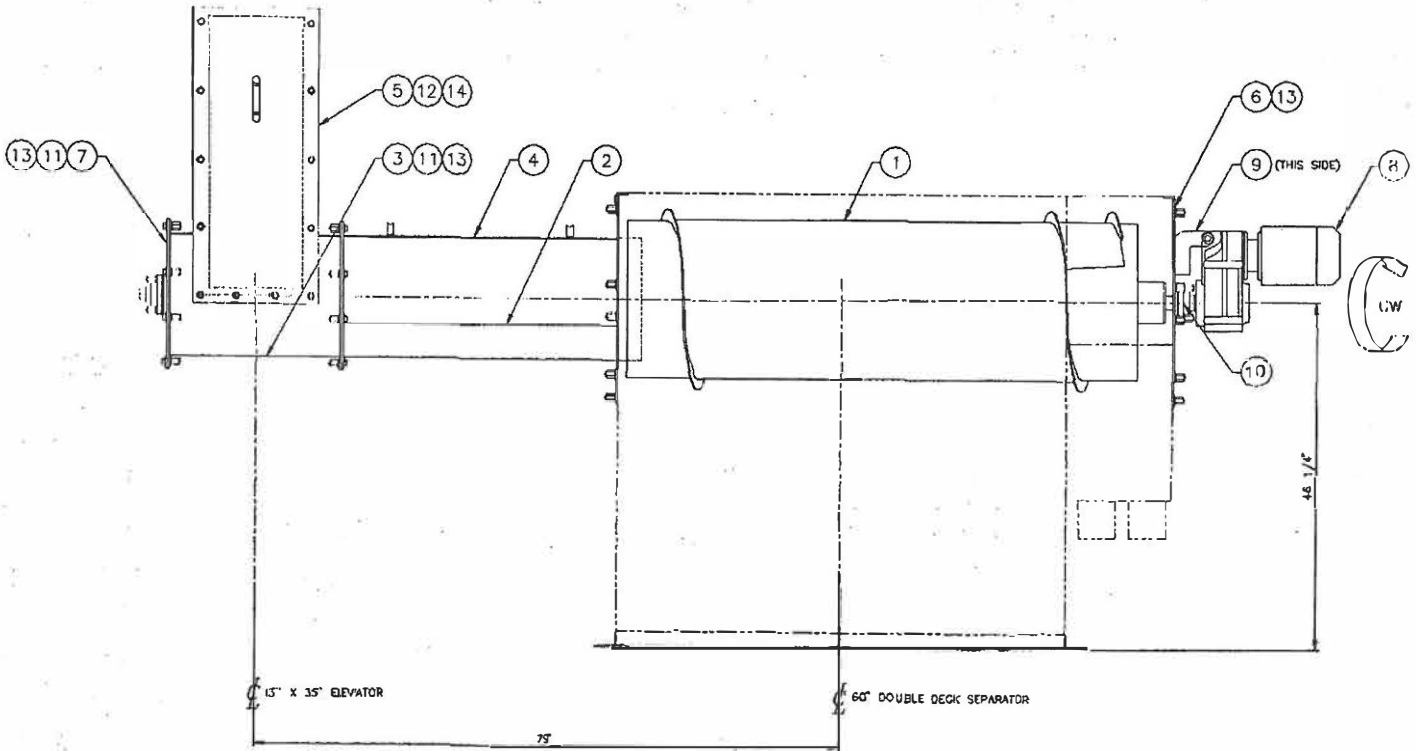
		U.S. FILTER/BCP 1100 GREENSBORO RD GREENSBORO, NC 27409 TEL: 703/752-9900 FAX: 703/752-9901	
REV. 001 DATE 27 JAN 1998 DRAWN BY CHECKED BY APPROVED BY	DESCRIPTION 60" DOUBLE DECK SEPARATOR ASSEMBLY (R/H)	DRAWN DATE 27 JAN 1998 CHECKED APPROVED	COPY OF A1-222-3 REV. 0 180 1/8

THIS DRAWING AND THE DESIGN SHOWN THEREIN IS THE PROPERTY OF U.S. FILTER/BCP AND USE OR COPIES THEREOF WITHOUT WRITTEN CONSENT IS PROHIBITED.

01-52810
 ON DRAWING

DRAWING NO.
 A1-52810

ITEM	QTY	PART NO.	DWG NO.	DESCRIPTION	WT.
1	1	C141290	A1-52810	UPPER SCREW ASSEMBLY (14" R/H)	337
2	1	C1184736	A1-27020	SCREW TROUGH	159
3	1	C76154	A1-71077	HEAD SPOUT	160
4	1	C13830	A1-30741	TROUGH COVER	30
5	1	C88955	A1-6076	IF AD SPOUT COVER	36
6	1	C117920	A2-20613	SEPARATOR END PLATE	62
7	1	C95172	A2-13409	SCREW END PLATE	33
8	1	C121739	-	FAG7 THRU HOLE (3HP @ 39 RPM @ 60V)	-
9	1	C52199	A2-8273	TORQUE BRACKET ASSEMBLY (FAG6/67)	7
10	2	C100032	A3-18649	SHOT DISC ASSEMBLY (1 1/2" FB)	8
11	24	-	-	1/2" NC X 1 1/2" F/W L/W	-
12	8	-	-	3/8" NC X 1" BOLT C/W F/W & L/W	-
13	50	-	-	1/2" NC CAPNUT C/W F/W & L/W	-
14	12	-	-	3/8" NC CAPNUT C/W F/W & L/W	-



PNC141393



U.S. FILTER/BCP
 2100 SPICES ROAD
 CINCINNATI, OHIO 45216
 PHONE: (513) 521-8000
 TELEFAX: (513) 521-8330

REV	DATE	REVISION	BY	DATE	ISSUED	NUMBER	COPIES OF
				30 JUNE 1999		1	A1-52810

14" DIA. RIGHT HAND UPPER SCREW ARRANGEMENT

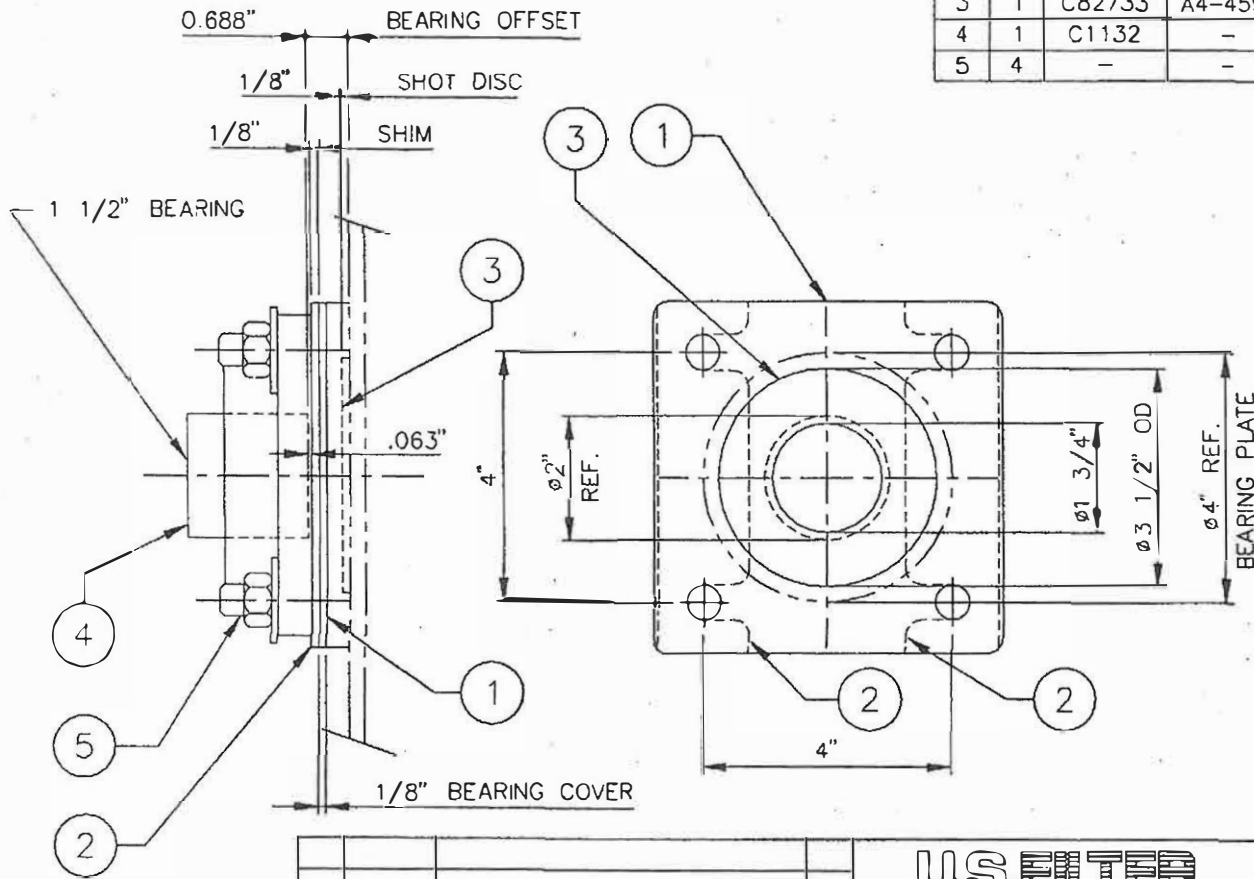
SCALE	1/2"=1'-0"	DRAWING NO.	A1-52810	REV	0	WEIGHT	0.22 LB
-------	------------	-------------	----------	-----	---	--------	---------

THIS DRAWING AND THE DESIGN SHOWN THEREIN IS THE PROPERTY OF U.S. FILTER/BCP AND USE OR COPIES THEREOF CANNOT BE MADE WITHOUT WRITTEN CONSENT

REV A
DRAWING NO A3-18649

DRAWING NO
A3-18649
REV A

ITEM	QTY	PART NO	DWG NO	DESCRIPTION	WT
1	1	C85413	A4-4878	BEARING COVER 1 1/2" FB	2
2	2	C83843	A4-4722	SHIM (1 1/2" BRG)	2
3	1	C82733	A4-4593	SHOT DISC 1 3/4" ID X 3 1/2" OD	-
4	1	C1132	-	FLANGE BEARING 1 1/2"	-
5	4	-	-	1/2" NC HEX NUT C/W LW & FW	-



PNC105939

REV	DATE	DESCRIPTION	BY



U.S. FILTER/BCP
2180 SPEERS ROAD
OAKVILLE, ONTARIO
CANADA
L6L 2X8
TELEPHONE: (905) 827-0643
FACSIMILE: (905) 827-8552

SHOT DISC ASSEMBLY		DATE	DRAWN	GROUP	SCALE	DRAWING NO	REV	GROUP	SCALE	DRAWING NO	REV	WEIGHT
1 1/2" BEARING		4 APRIL 1996	S MCBRIDE	14	6"=1'-0"	A3-18649	A	14	6"=1'-0"	A3-18649	A	4 LB
1 3/4" SHOT DISC												

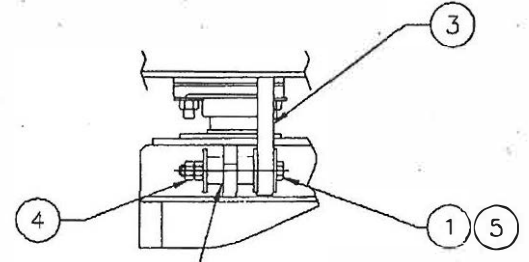
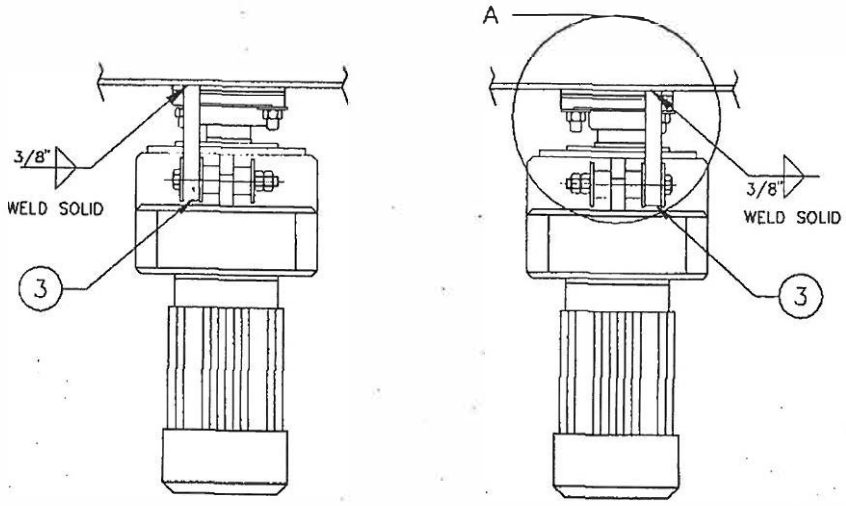
THIS DRAWING AND THE DESIGN SHOWN THEREIN IS THE PROPERTY OF US FILTER/BCP AND USE OR COPIES THEREOF CANNOT BE MADE WITHOUT WRITTEN CONSENT

REV A
DRAWING NO A2-8273

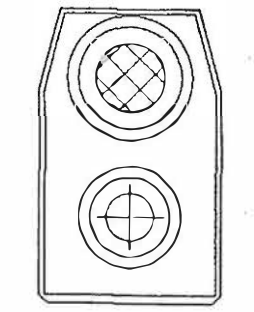
DRAWING NO
A2-8273

REV
A

ITEM	QTY	PART NO	DWG NO	DESCRIPTION	WT
1	1	-	-	1/2" NC HEX BOLT X 4 1/2"	-
2	2	-	-	RUBBER BUFFER (SEE NOTE)	-
3	1	-	-	PL 3/4" X 5 1/4" X 5 3/4"	7
4	2	-	-	1/2" NC JAM NUT	-
5	3	-	-	3/4" FLAT WASHER	-

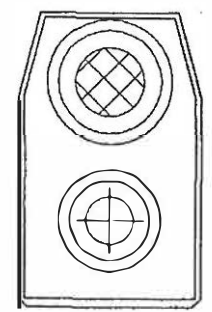


DETAIL A
SCALE : 3" = 1'-0"



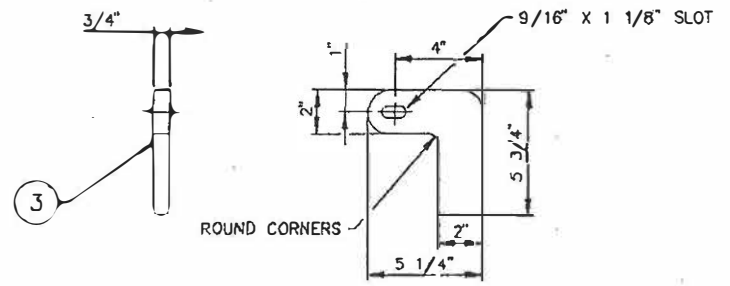
END VIEW OF FA60

CW
ROTATION



END VIEW OF FA60

CCW
ROTATION



DETAIL ITEM 3
SCALE : 3" = 1'-0"

* NOTE:
RUBBER BUFFER IS SUPPLIED WITH REDUCER
BCP REPLACEMENT PART No: C41924

PNC42469

REV	DATE	DESCRIPTION	BY	CS
A	12 JUN 1992	ITEM 1 WAS A SHOULDER BOLT		CS



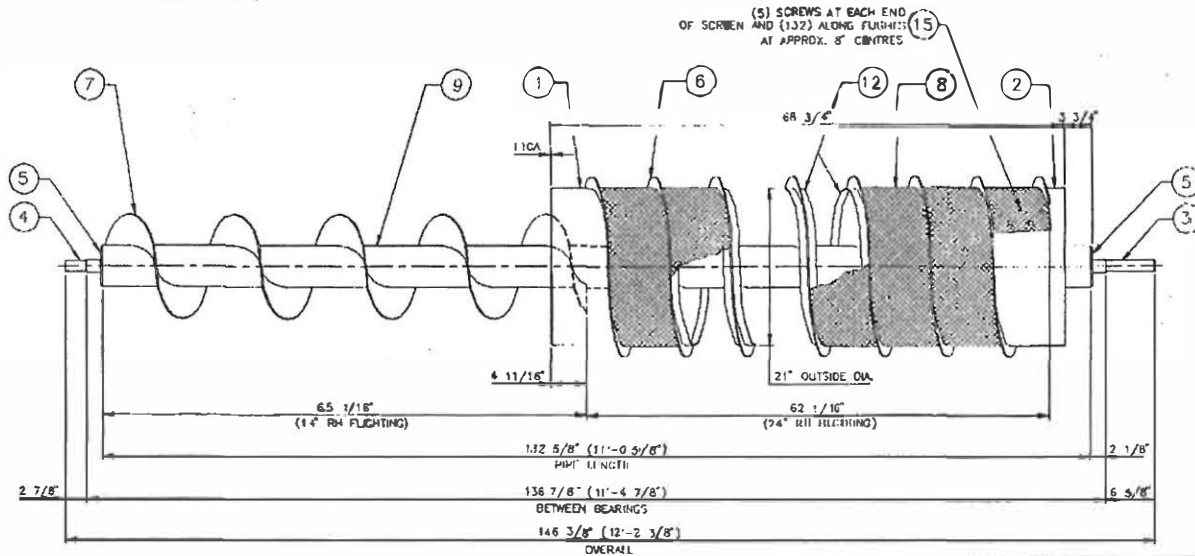
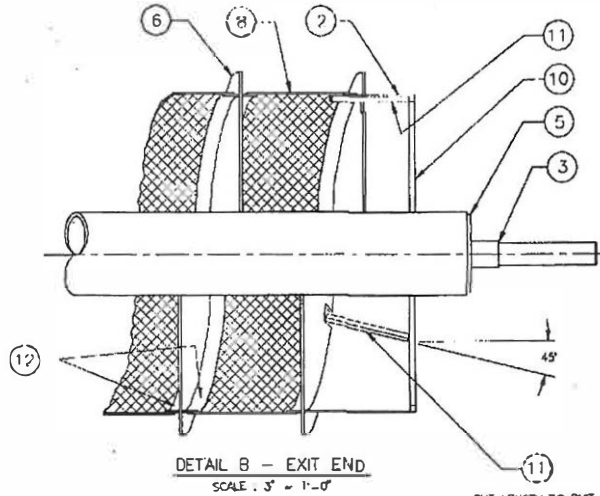
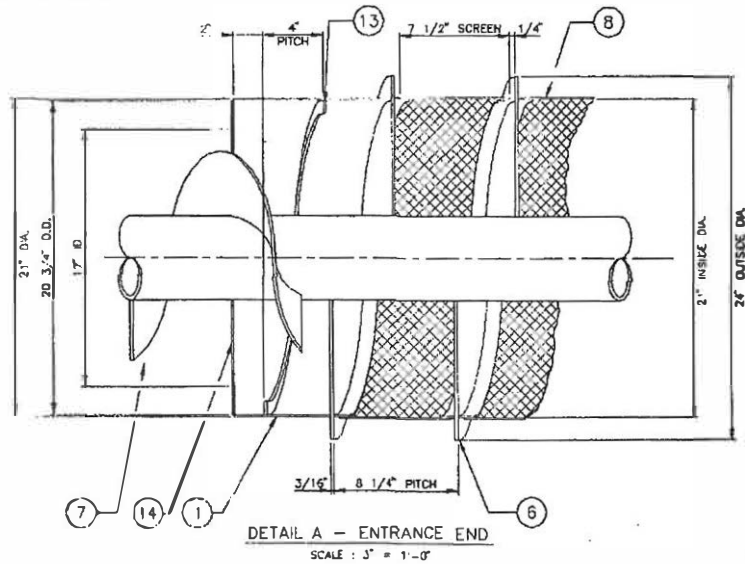
U.S. FILTER/BCP
2150 SPYERS ROAD
CARLETON, ONTARIO
CANADA
L6L 2X8

TELEPHONE: (905) 827-0643
FACSIMILE: (905) 827-8552

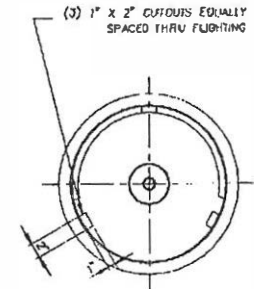
TORQUE BRACKET
ASSEMBLY FOR FA60

DATE 16 JULY 1991	DRAWN AC	COPY OF A2-4190
GROUP 3	SCALE 3" = 1'-0"	DRAWING NO A2-8273
	REV A	WEIGHT 7 LB

THIS DRAWING AND THE DESIGN SHOWN THEREIN IS THE PROPERTY OF US FILTER/BCP AND USE OR COPIES THEREOF CANNOT BE MADE WITHOUT WRITTEN CONSENT



ITEM	QTY	PART NO	REV	DESCRIPTION	WT
1	1	C58775	A7-6170	ENTRANCE COLLAR	29
2	1	C58789	A2-8184	EXIT COLLAR	23
3	1	C51292	AS-4617	HAFT DRIVE SHAFT	7
4	1	C51248	AS-4613	1 1/2" STEPPED SHAFT	4
5	2	C51309	AS-4639	1" INH. S&B	12
6	8	C52250	-	24" H/H FLIGHTING SECTIONS	-
7	5	C38500	-	14" H/H FLIGHTING SECTIONS	-
8	1	C1550	-	SCREWS X 44'-0"	-
9	1	-	-	PIPE 5" DIA X 132 9/8"	162
10	1	-	-	HR BAR 3/8" DIA X 64" (ROLL)	3
11	3	-	-	HR BAR 3/8" DIA X 9"	1
12	2	-	-	BAR 1/8" X 1" X 43'-8"	37
13	2	-	-	7 GA X 19" ID X 20 3/4" OD (S/III)	44
14	1	-	-	11 GA X 17" ID X 20 3/4" OD	15
18	142	-	-	#10 X 1/2" SELF TAPPING SCREW	-



U.S. FILTER/SEIP
 2150 UPPER SQW
 CANTON, MASS 01920
 DRAWN BY: JES
 DATE: 10 JUNE 1999
 CHECKED BY: JES
 DATE: 10 JUNE 1999
 APPROVED BY: JES
 DATE: 10 JUNE 1999

14" UPPER SCREW ASSEMBLY
 (60° SEPARATOR R/H)

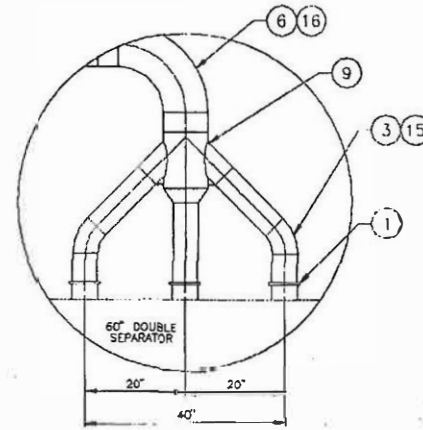
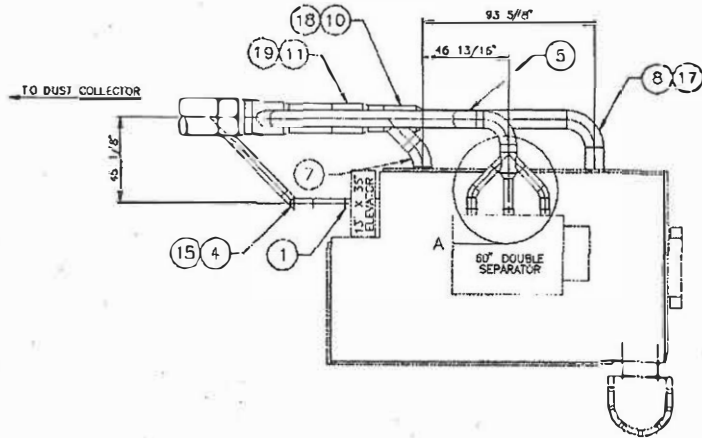
SCALE: 3/8" = 1'-0"

DRAWING NO: A1-52807

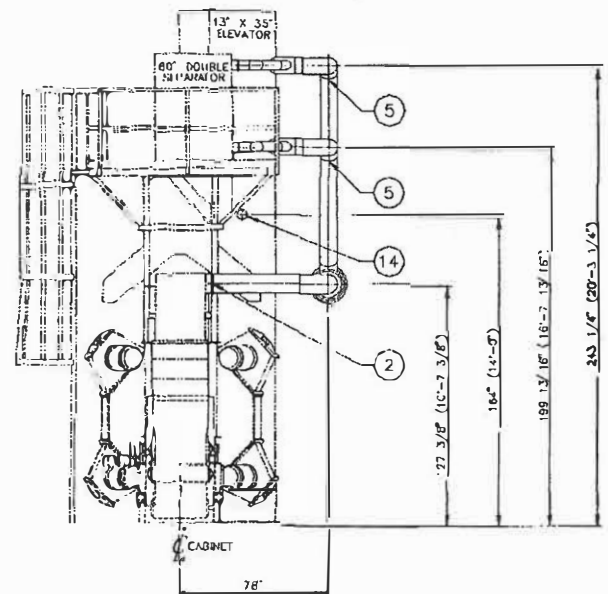
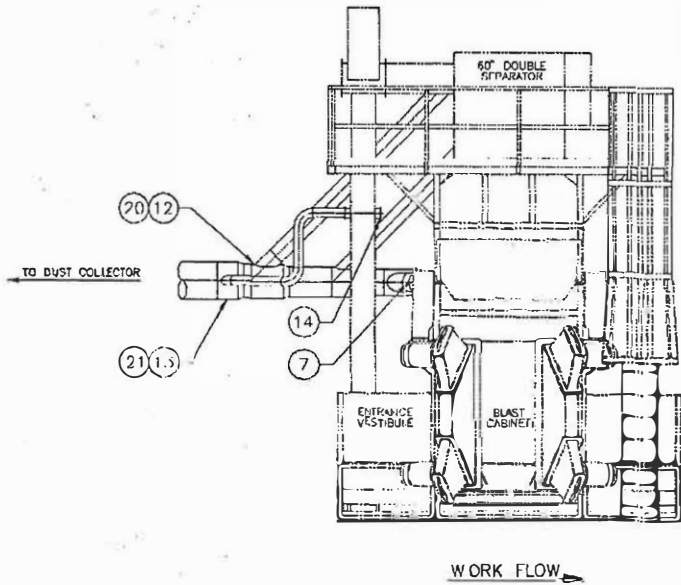
PNC141390

REV: 0 DATE: 10 JUNE 1999 DESCRIPTION: 14" UPPER SCREW ASSEMBLY (60° SEPARATOR R/H) BY: JES

THIS DRAWING AND THE DESIGN SHOWN THEREBY IS THE PROPERTY OF U.S. FILTER/SEIP AND USE ON COPIES THEREOF CANNOT BE MADE WITHOUT WRITTEN CONSENT.



DETAIL A
 SCALE: 1" = 3'-0"



ITEM	QTY	PART NO	DIAG NO	DESCRIPTION	WT
1	7			5" BLAST GATE	
2	2			10" BLAST GATE	
3	4			5" DIA - 45' F.H.W.	
4	2			5" DIA - 90' F.H.W.	
5	2			8" DIA - 45' F.H.W.	
6	2			8" DIA - 90' F.H.W.	
7	1			10" DIA - 45' F.H.W.	
8	1			10" DIA - 90' F.H.W.	
9	2			TRANSITION Q12-45 (D=2 A=5 B=5 O=5)	
10	1			TRANSITION LR1-45 (D=14 A=10 O=10)	
11	1			TRANSITION LR1-45 (D=16 A=9 O=14)	
12	1			TRANSITION LR1-45 (D=18 A=9 O=16)	
13	1			TRANSITION LR1-45 (D=20 A=5 O=18)	
14	1			5" END CAP	
15	1			5" ELKING	
16	1			9" ELKING	
17	1			10" ELKING	
18	1			14" ELKING	
19	1			18" ELKING	
20	1			7" ELKING	
21	1			20" DUCTING	

NOTE: CUSTOMER TO SUPPLY DUCT, BLAST GATES AND ACCESSORIES NEEDED TO ERECT AND INSTALL

PNC141860

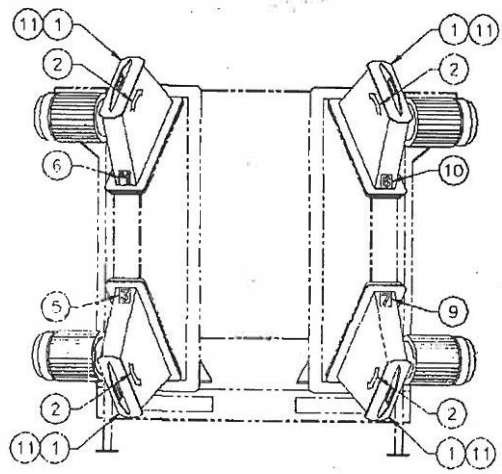
		U.S. FILTER/BCP 2100 SPANISH BLDG CARROLL GROVE, ILL. CHINA, ILL. 614		TELEPHONE: (815) 821-0900 FACSIMILE: (815) 821-8502	
REV	DATE	DESCRIPTION	BY	DATE	ISSUED
				23 JUNE 1992	L. R. GILBERT
DUCTING LAYOUT			GROUP	DRAWING NO A1-53053	SHEET 11 REVISION 0 10

THIS DRAWING AND THE DESIGN SHOWN THEREON IS THE PROPERTY OF US FILTER/BCP AND USE OR REPRODUCTION THEREOF WITHOUT WRITTEN CONSENT IS PROHIBITED.

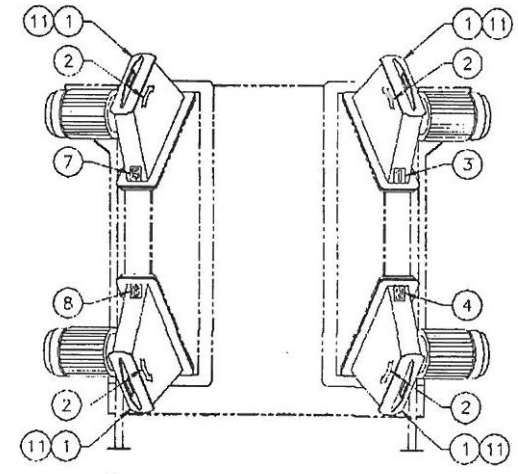
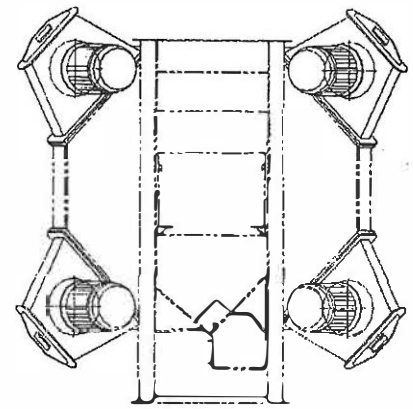
0
DRAWING NO. A1-52558
REV. 0

DRAWING NO. A1-52558
REV. 0

REV	QTY	PART NO.	DWG NO.	DESCRIPTION	WT
1	2	C139786	A2-27371	BLAST WHEEL ASSEMBLY (15" x 20 HP)	1440
2	8	C98810	-	ARROW POINTER	-
3	1	C98800	-	NUMBER 1 (ONE)	-
4	1	C98801	-	NUMBER 2 (TWO)	-
5	1	C88802	-	NUMBER 3 (THREE)	-
6	1	C88803	-	NUMBER 4 (FOUR)	-
7	1	C96604	-	NUMBER 5 (FIVE)	-
8	1	C96605	-	NUMBER 6 (SIX)	-
9	1	C98806	-	NUMBER 7 (SEVEN)	-
10	1	C98807	-	NUMBER 8 (EIGHT)	-
11	96	-	-	5/8" NC HEX NUTS C/W F/W & L/W	-



WORK FLOW →



← WORK FLOW

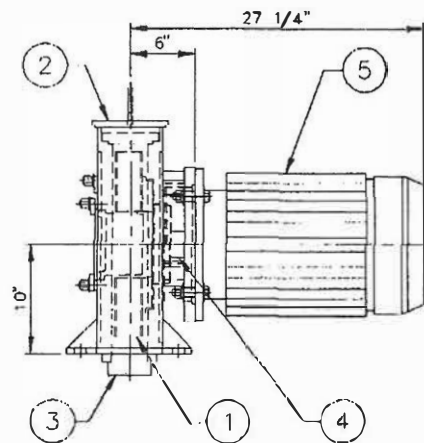
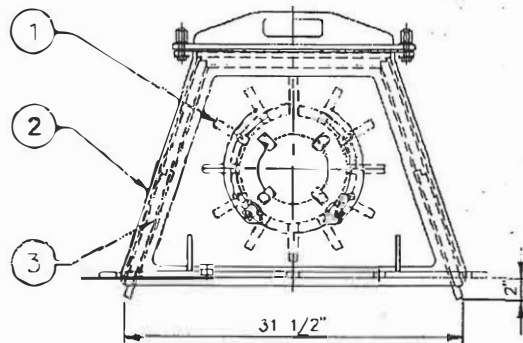
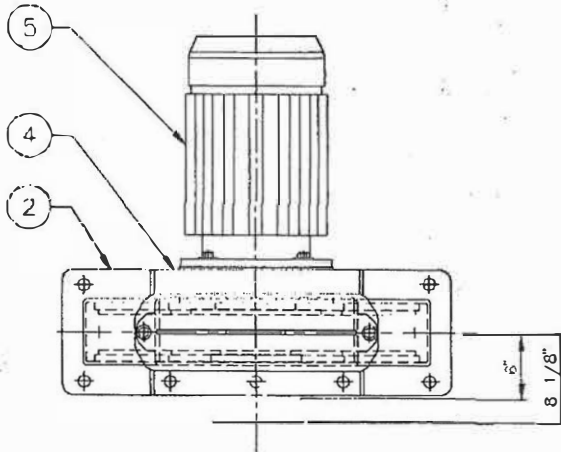
PNC140914

		U.S. FILTER/BCP 2300 SPENCER ROAD DAYTON, OHIO 45424 TEL: (513) 233-2000 FAX: (513) 233-2001	
DATE 27 MAY 1990	DRAWN L. ROUSIGNON	COPY OF A1-51009	WEIGHT 1440 LB
THIS DRAWING AND THE DESIGN SHOWN THEREIN IS THE PROPERTY OF U.S. FILTER/BCP AND NO USE THEREOF SHALL BE MADE WITHOUT WRITTEN CONSENT.		BI-AST WHEEL ARRANGEMENT GROUP 20 SCALE 3/8" = 1"	

REV 0
DRAWING NO
A2-27371

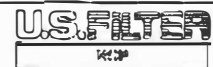
DRAWING NO
A2-27371
REV 0

ITEM	QTY	PART NO	DWG NO	DESCRIPTION	WT
1	1	C109236	A1-37147	BLAST WHEEL INTERNALS 15" 42 DEG C/C	28
2	1	C133482	A3-28468	BLAST WHEEL HOUSING ASSEMBLY 15"	15.1
3	1	C126607	A1-45592	BLAST WHEEL LINER ARRANGEMENT 15"	-
4	1	C109255	A3-19910	MOTOR GROUP 2541D/256TD	1
5	1	C61252		MOTOR 20HP 460/60/3 256TD	-



PNC139786

REV	DATE	DESCRIPTION	BY



U.S. FILTER/ICCP
2180 SPEERS ROAD
OAKVILLE ONTARIO
CANADA
L6L 2X8

TELEPHONE (905) 827-0643
FACSIMILE (905) 827-8532

BLAST WHEEL ASSEMBLY

GROUP	SCALE	DATE	DRAWN	COPY OF
20	1/2" = 1'	26 APR 1999	J. A. BEER	A2-27371
				REV 0
				WEIGHT 180 LB

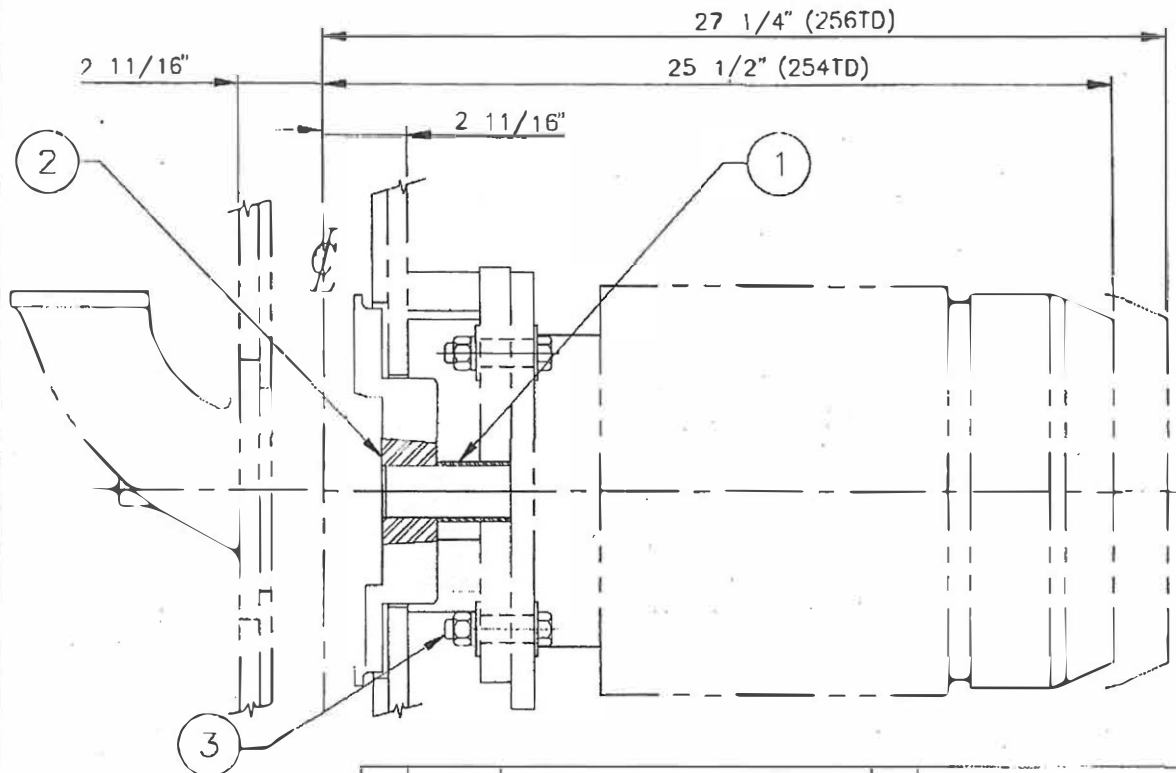
THIS DRAWING AND THE DESIGN SHOWN THEREIN IS THE PROPERTY OF U.S. FILTER/ICCP AND USE OR COPIES THEREOF CANNOT BE MADE WITHOUT WRITTEN CONSENT

0 01661-19910
REV DRAWING NO

DRAWING NO
A3-19910
REV
0

1	1	ENTRETOISE
2	1	MANCHON DU MOTEUR
3	4	5/8" NC HFX BOLT X 3" C/W NUT, F/W & L/W

ITEM	QTY	PART NO	DWG NO	DESCRIPTION	WT
1	1	C109219	A4-7157	SPACER	1
2	1	C15728	-	MOTOR BUSHING	-
3	4	-	-	5/8" NC HEX BOLT X 3"C/W NUT,F/W&L/W	-



PNC109255

REV	DATE	DESCRIPTION	BY



U.S. FILTER/BCP
2180 SPEERS ROAD
OAKVILLE, ONTARIO
CANADA
L6L 2X8

TELEPHONE: (905) 827-0843
FACSIMILE: (905) 827-8552

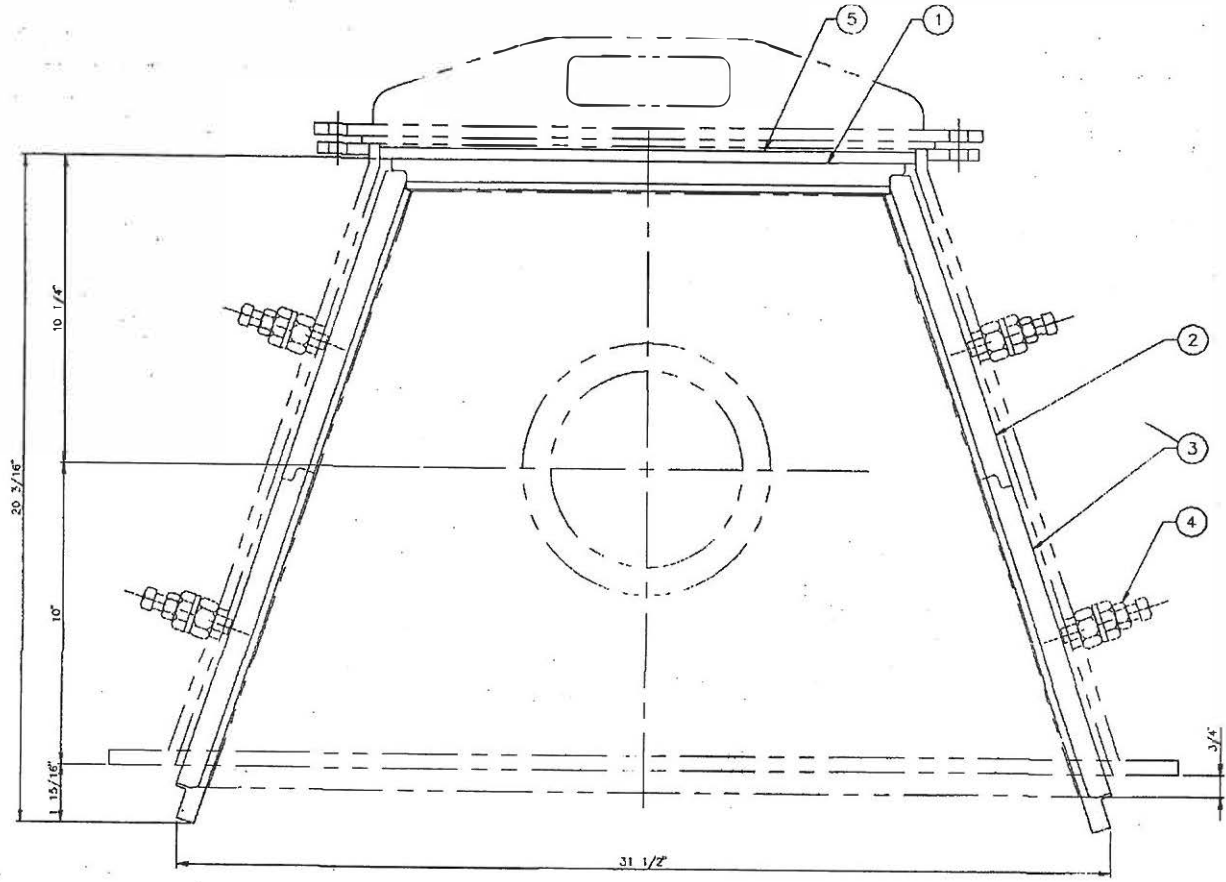
MOTOR GROUP
254TD/256TD

DATE	DRAWN	COPY OF
7 AUG 1996	W WACLAWSKI	-
GROUP 20	SCALE 3" = 1'-0"	DRAWING NO A3-19910
		REV 0
		WEIGHT 1 LB

THIS DRAWING AND THE DESIGN SHOWN THEREIN IS THE PROPERTY OF US FILTER/BCP AND USE OR COPIES THEREOF CANNOT BE MADE WITHOUT WRITTEN CONSENT

0
A1-45592
DRAWING NO
REV

ITEM	QTY	PART NO	DWG NO	DESCRIPTION	WT
1	1	C55015R	-	TOP LINER	-
2	2	C12861M	-	UPPER END LINER	-
3	2	C82207	-	LOWER END LINER	-
4	4	C75312	A4-4012	LINER HOI ASSEMBLY	-
5	1	C12862B	-	3/8" NAT GUM RUBBER LINER	-



PNC126607

REV	DATE	DESCRIPTION	BY

U.S. FILTER
BCF

U.S. FILTER/BCF
2380 SPEEDY ROAD
CAMPBELL, CALIFORNIA
TEL: (925) 827-0843
FACSIMILE: (925) 827-8202

DATE	SCALE	DRAWN	T READ/DOWN	COPIES OF
17 MAY 1928	6"-1'-0"			
EMJ/JP				
20				

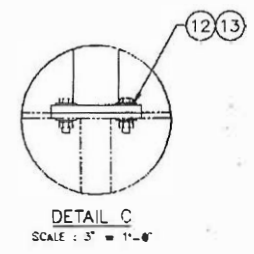
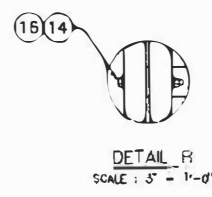
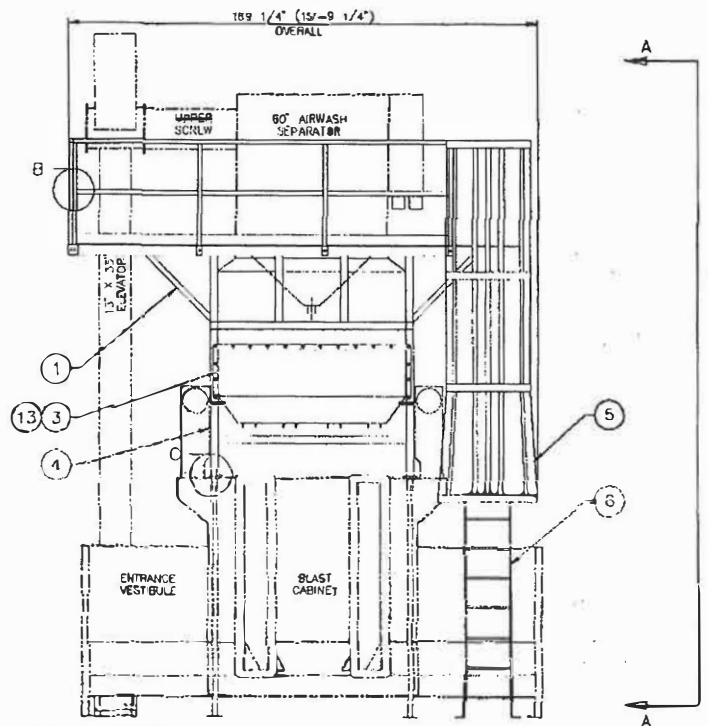
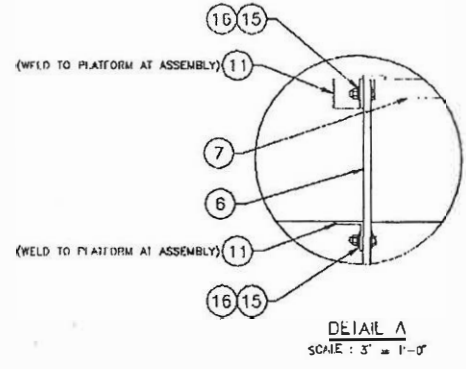
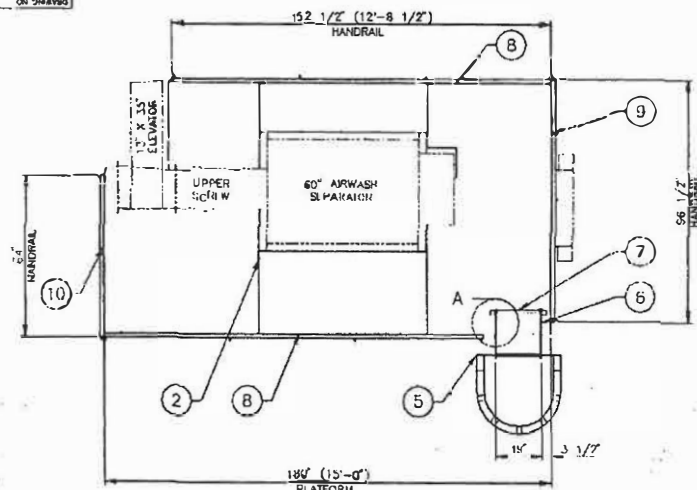
THIS DRAWING AND THE DESIGN SHOWN THEREIN IS THE PROPERTY OF U.S. FILTER/BCF AND USE OF COPIES THEREOF CANNOT BE MADE WITHOUT WRITTEN CONSENT.

15" WHEEL LINER
ARRANGEMENT

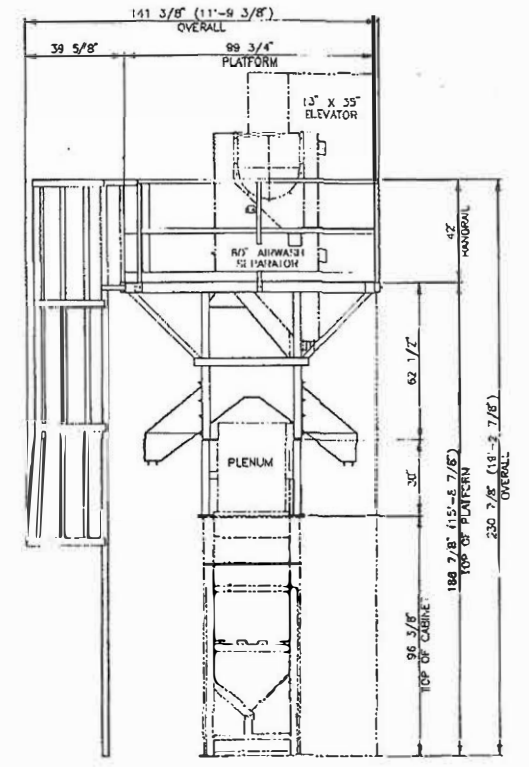
DRAWING NO
A1-45592
REV
0
WEIGHT
0 LB

0 67279-1V
 A1-52749
 ON DRAWING

DRAWING NO.
 A1-52749
 REV
 0



REV	QTY	PART NO.	DESC	DESCRIPTION	WT
1	1	C141.12R	A1-52451	PLATFORM ASSEMBLY	2168
2	1	C141.308	A2-27A20	FLUXER PLATE ASSEMBLY	533
3	2	C94150	A1-28010	FEED CHUTE ASSEMBLY	916
4	1	C141316	A1-52774	SUPPORT BASE	243
5	1	C93316	A2-3133	GAGE	220
6	1	C133811	A2-6125	LADDER	260
7	1	C78033	A2-6322	SWING GATE	28
8	2	C127105	A2-2348	HANDRAIL	284
9	1	C138610	A2-27029	HANDRAIL	80
10	1	C121807	A2-21253	HANDRAIL	63
11	4	C91714	A4-5480	CLIP ANGLE	4
12	43	-	-	1/2\"/>	
13	84	-	-	1/2\"/>	
14	2	-	-	3/8\"/>	
15	4	-	-	3/8\"/>	
16	6	-	-	3/8\"/>	



VIEW A-A
 SCALE: 1/2\"/>

PNC141287

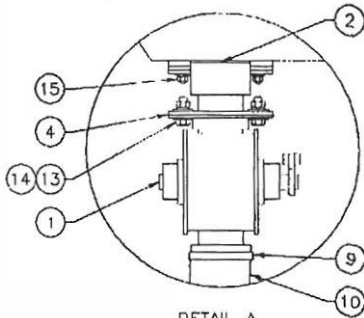
BCP BLAST CLEANING PRODUCTS LTD.
 LAKESHORE, ONTARIO, CANADA
 (905) 887-0625

REV	DATE	DESCRIPTION	BY	DATE	REV	DESCRIPTION	BY	DATE	REV	DESCRIPTION	BY
1		PLATFORM ARRANGEMENT			1						

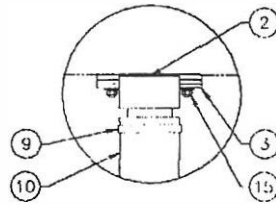
THIS DRAWING AND THE DESIGN SHOWN THEREIN IS THE PROPERTY OF BLAST CLEANING PRODUCTS LTD. AND USE OR COPY THEREOF WITHOUT WRITTEN CONSENT IS PROHIBITED.

0 86075-1V
A1-52998
ON DRAWING

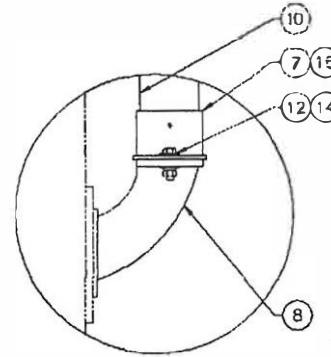
DRAWING NO
A1-52998
REV
0



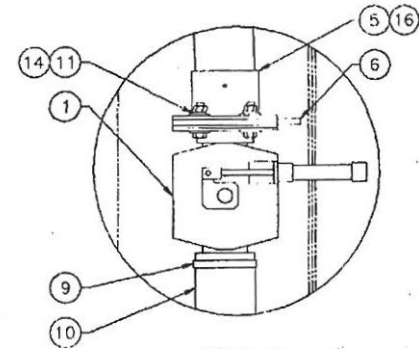
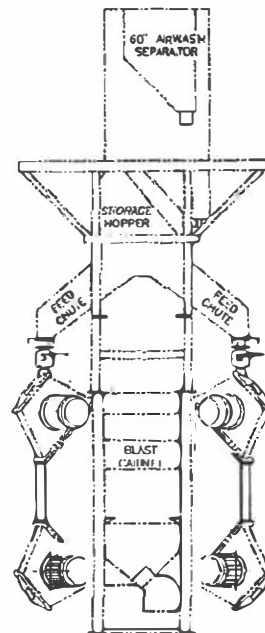
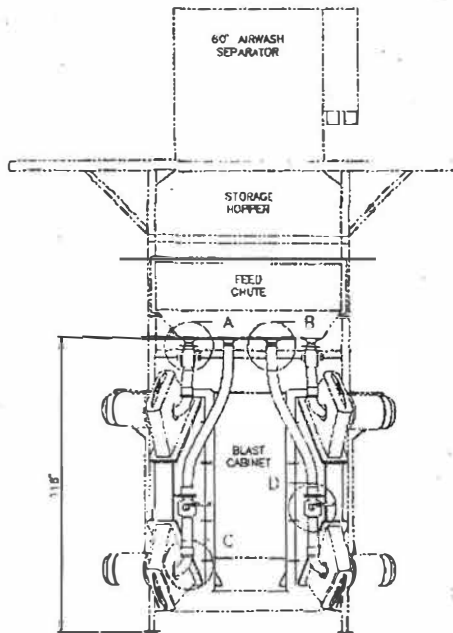
DETAIL A
SCALE: 3" = 1'-0"



DETAIL B
SCALE: 3" = 1'-0"



DETAIL C
SCALE: 3" = 1'-0"



DETAIL D
SCALE: 3" = 1'-0"

ITEM	QTY	PART NO	REV NO	DESCRIPTION	WT
1	8	12N016	-	ABRASIVE CONTROL VALVE	378
2	8	C79533	A2-902.3	3/8" X 1/2" VALVE ASSEMBLY	96
3	4	C79566	A3-7895	HORN AIRPIPER	20
4	4	C79525	A3-7168	MOUNTING FLANGE	28
5	4	C89395	A3-12500	MOUNTING BRACKET	24
6	4	C89632	A3-9952	MOUNTING BRACKET	48
7	8	C17453	A2-1193	FEED SPOUT AIRPIPER	48
8	8	C20349	-	FEED SPOUT	-
9	12	C24992	-	HOSE CLAMP	-
10	1	C88620	-	3" DIA GUNITE 1835 X 50" O"	-
11	16	-	-	1/2" NC X 2" 1/4" DIA 1/4" C/W F/W	-
12	16	-	-	1/2" NC X 1 3/4" DIA 1/4" C/W F/W	-
13	16	-	-	1/2" NC X 1 1/2" DIA 1/4" C/W F/W	-
14	16	-	-	1/2" NC NUTS C/W 1/2" & 1/4"	-
15	32	-	-	3/8" TAC HEX NUTS C/W F/W & 1/4"	-
16	16	-	-	1/2" SELF TAPPING SCREWS X 3/4"	-

PNC141749

REV	DATE	DESCRIPTION	BY



U.S. FILTER/BCP
2400 WOODBINE ROAD
MORRISTOWN, NJ 07960
TELEPHONE: (908) 837-0643
FACSIMILE: (908) 837-0622

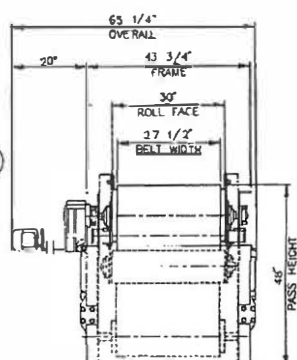
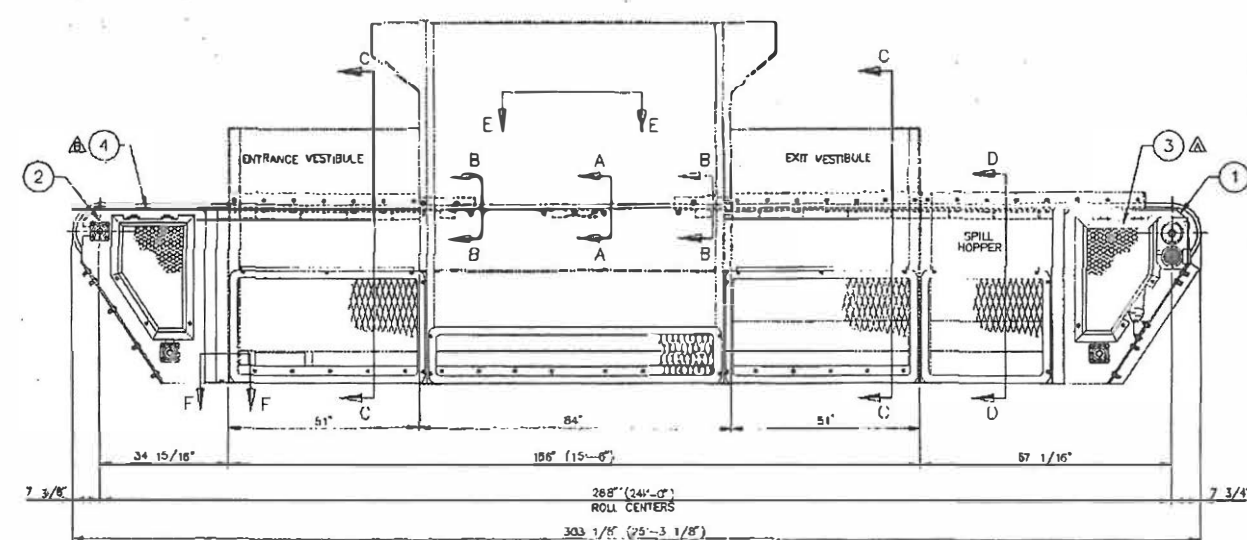
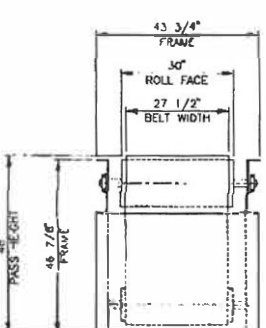
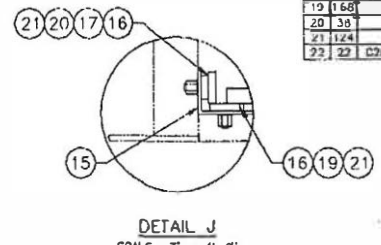
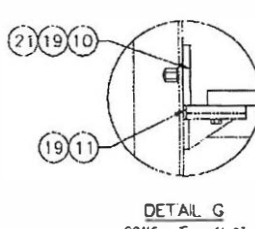
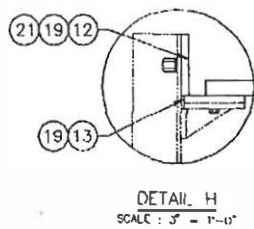
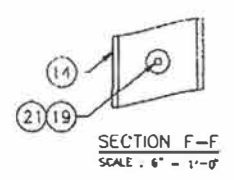
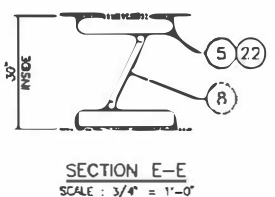
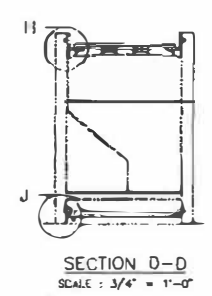
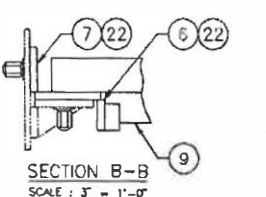
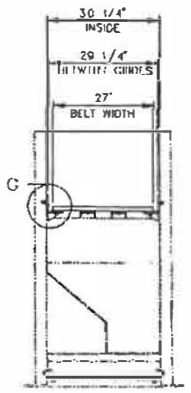
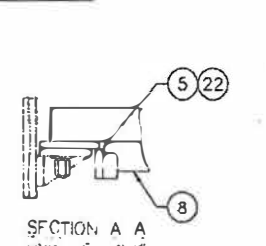
FEED PIPE
ARRANGEMENT

DATE: 18 JUNE 1993
DRAWN: L. BURNHAM
CHECKED: J. BURNHAM
SCALE: 3/4" = 1'-0"
DRAWING NO: A1-52998
REV: 0
WEIGHT: 840 LB

THIS DRAWING AND THE DESIGN SHOWN HEREIN IS THE PROPERTY OF U.S. FILTER/BCP AND IS NOT TO BE REPRODUCED OR TRANSMITTED IN ANY FORM OR BY ANY MEANS WITHOUT WRITTEN CONSENT.

REV B 78872-1A
A1-52887

ISSUING NO. A1-52887
REV B



NO.	QTY	PART NO.	DESC NO.	DESCRIPTION	WT.
1	1	C111113	A1-37995	TAKE-UP SUPPORT FRAME	964
2	1	C111145	A1-26511	ENTRANCE SUPPORT FRAME	775
3	1	C141011	A1-29226	GUARD ARRANGEMENT	278
4	1	C140484	A3-30739	WEAR BAR (MANIG)	63
5	2	C140166	A2-27578	SUPPORT BRACKET	38
6	4	C140484	A2-27575	SUPPORT BRACKET	52
7	4	C140484	A3-30739	WEAR BAR (MANIG)	28
8	1	C141573	A3-31023	SUPPORT BAR	20
9	2	C141570	A3-31020	SUPPORT BAR	39
10	4	C01759	A3-13316	WEAR BAR (UHMW 1/2" X 4" X 51")	-
11	4	C141576	A3-31025	WEAR BAR (UHMW 1/2" X 4" X 51")	-
12	2	C144026	A3-21700	WEAR BAR (UHMW 1/2" X 4" X 60")	-
13	4	C141577	A3-31026	WEAR BAR (UHMW 1/2" X 4" X 60")	-
14	5	C141588	A3-31027	WEAR BAR (UHMW 1/2" X 3" X 24 3/4")	-
15	2	C141584	A2-27802	SUPPORT ANGLE	116
16	8	C141560	A3-31024	WEAR BAR (UHMW 1/2" X 2" X 94 1/2")	-
17	4	C141591	A3-31029	WEAR BAR SHIM	80
18	1	C110926	M-7310	WIRE MESH BELT (2' 1/2" X 28'-6")	-
19	168	-	-	3/8" NC X 1 1/4" FLAT HEAD LN NUTS	-
20	38	-	-	3/8" NC X 1 3/4" FLAT HEAD CAPSCREWS	-
21	124	-	-	3/8" NC MILD STL CAPNUT C/W F/W	-
22	23	C30415	-	1/2" NC HARDENED CAPNUT C/W F/W	-

PNC141547

WORK FLOW

REV	DATE	DESCRIPTION	BY
A		REV 44 NC A1-52887	LR
B		REV 63 NC A1-52887	LR

ULS FILTER
WIRE MESH CONVEYOR ARRANGEMENT

GROUP	SCALE	DRAWING NO.	REV	WEIGHT
35	1/2" = 1'-0"	A1-52887	B	2148.18

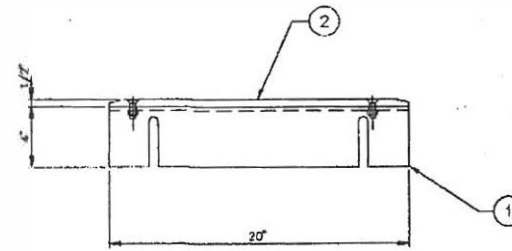
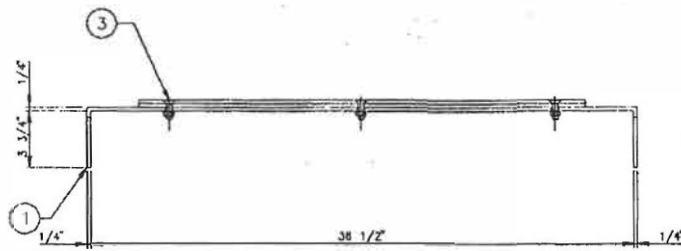
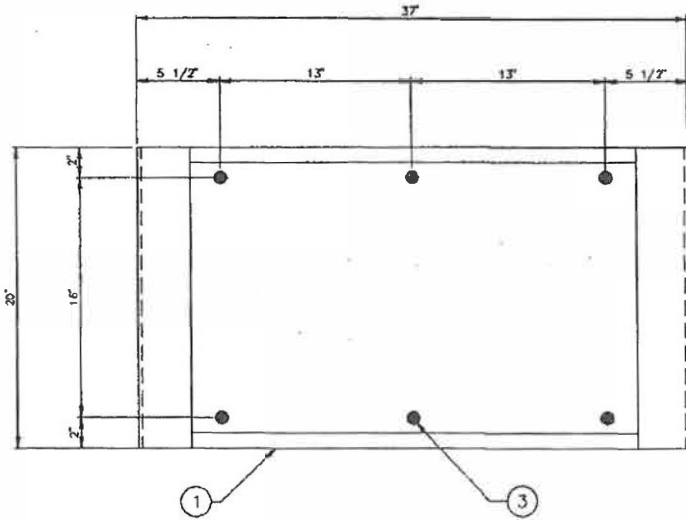
THIS DRAWING AND THE DESIGN SHOWN THEREIN IS THE PROPERTY OF ULS FILTER/BCP AND IS NOT TO BE REPRODUCED OR TRANSMITTED IN ANY FORM OR BY ANY MEANS, ELECTRONIC OR MECHANICAL, INCLUDING PHOTOCOPYING, RECORDING, OR BY ANY INFORMATION STORAGE AND RETRIEVAL SYSTEM.

0 A1-38091
On Drawing

DRAWING NO
A1-38091

REV
0

REV	QTY	PART NO	DWG NO	DESCRIPTION	WT
1	1	G111206	A1-38024	SUPPORT PLATE	53
2	1	G111301	A2-18416	WEAR PAD UHMW	-
3	6	-	-	3/8" NC X 1 1/4" LG FLAT HD CAP SCREW	-



PNC111116

REV	DATE	DESCRIPTION	BY



U.S. FILTER/BCP
FAB WORKS, INC.
DANVILLE, GEORGIA
DANVILLE, GA 31704
TELEPHONE: (706) 827-9545
FACSIMILE: (706) 827-9507

WIRE MESH BELT
SUPPORT PLATE

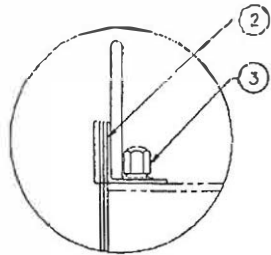
DATE	DRWEN	H. HOLEINDEX	COPY OF
18 OCT 1986			
GROUP 35	SCALE 3"=1'-0"	DRAWING NO A1 38091	REV 0
			WEIGHT 63 LB

THIS DRAWING AND THE DESIGN SHOWN THEREIN IS THE PROPERTY OF U.S. FILTER/BCP AND USE BY OTHERS WITHOUT WRITTEN CONSENT IS STRICTLY PROHIBITED.

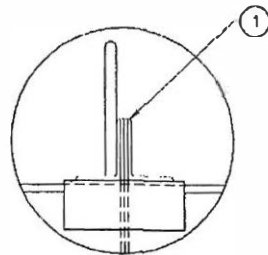
0 68625-1A
 0 01-52989
 ON SHEETS

LEADING NO
 A1-52989

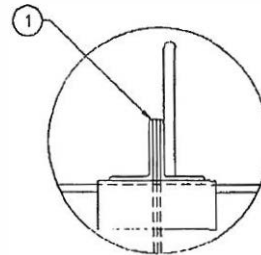
ITEM	QTY	PART NO	ENG NO	DESCRIPTION	WT
1	2	C141723	A1-27988	SEAL ASSEMBLY	88
2	2	C141723	A1-27988	SEAL ASSEMBLY	22
1/2" NC CAP NUT L/W T/W & L/W					-



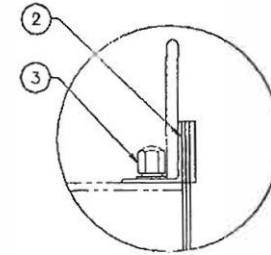
DETAIL A
 SCALE: 6" = 1'-0"



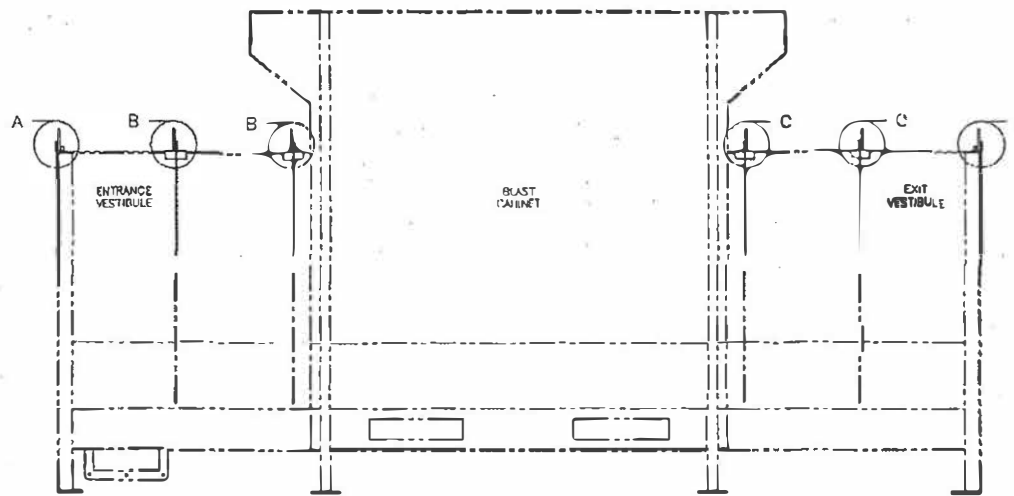
DETAIL B
 SCALE: 6" = 1'-0"



DETAIL C
 SCALE: 6" = 1'-0"



DETAIL D
 SCALE: 6" = 1'-0"



WORK FLOW →

PNC141723

		U.S. FILTER/NOF 2110 SPICER ROAD DAYTON, OHIO 45424 U.S.A.		FULL RANGE (R) 60-100 RANGE (R)	
REV	DATE	DESCRIPTION	BY	DATE	BY
				18 APR 1999	
VESTIBULE SEAL ARRANGEMENT			SCALE	DRAWING NO	REV
			6" = 1'-0"	A1-52989	0
			WEIGHT	10 LB	

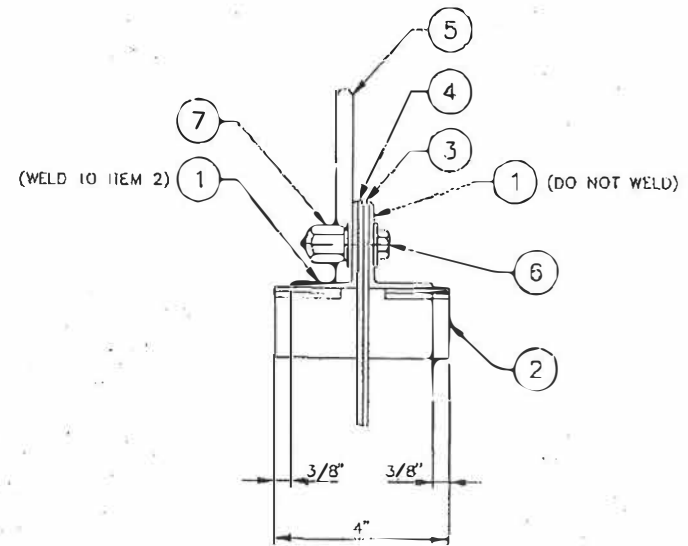
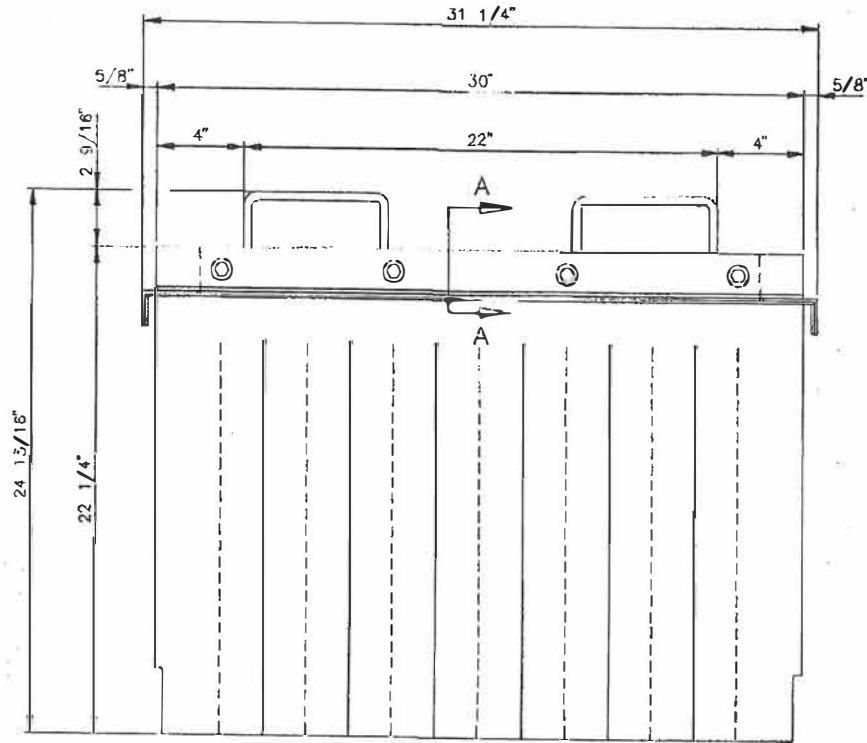
THIS DRAWING AND THE DESIGN SHOWN THEREIN IS THE PROPERTY OF U.S. FILTER/NOF AND USE OR COPIES THEREOF CANNOT BE MADE WITHOUT WRITTEN CONSENT

0 A2-27935
DRAWING NO

DRAWING NO
A2-27935

REV
0

ITEM	QTY	PART NO	DWG NO	DESCRIPTION	WT
1	2	C109447	A3-19976	MOUNTING ANGLE	10
2	1	C109450	A3-19977	MOUNTING BAR	5
3	1	C141729	A2-27934	SEAL (NITRIL RUBBER)	-
4	1	C141727	A2-27933	SEAL (BUTYL RUBBER)	-
5	2	C79290	A4-4314	HANDLE	2
6	5	-	-	3/8" NC X 1 1/4" HF X BOLT C/W F/W	-
7	5	-	-	3/8" NC MILD STL CAP NUTS C/W F/W & L/W	-



SECTION A-A
SCALE : 6" = 1'-0"

PNC141730

REV	DATE	DESCRIPTION	BY



U.S. FILTER/BCP
2180 SPEERS ROAD
CARVILLE, ONTARIO
CANADA
L6L 2A8

TELEPHONE: (905) 827-0843
FACSIMILE: (905) 827-8552

THIS DRAWING AND THE DESIGN SHOWN THEREIN IS THE PROPERTY OF US FILTER/BCP AND USE OR COPIES THEREOF CANNOT BE MADE WITHOUT WRITTEN CONSENT

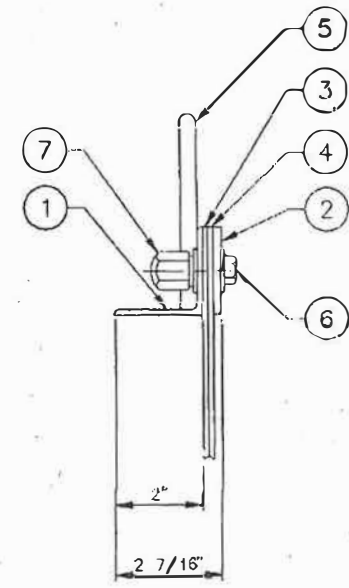
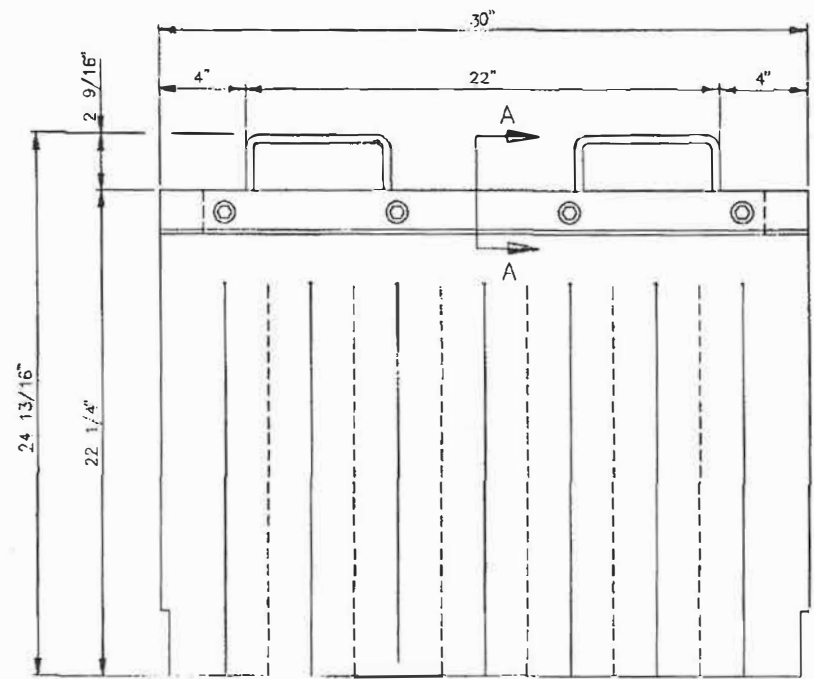
SEAL ASSEMBLY

DATE	DRAWN	COPY OF
18 JUN 1999	L RUSHTON	A2-17751
GROUP	SCALE	DRAWING NO
41	3" = 1'-0"	A2-27935
REV	WEIGHT	
0	17 LB	

0 REV
DRAWING NO
A2-27936

DRAWING NO
A2-27936
REV
0

ITEM	QTY	PART NO	DWG NO	DESCRIPTION	WT
1	1	C109444	A3-19974	MOUNTING ANGLE	5
2	1	C109445	A5 19975	RETAINER	1
3	1	C141729	A2-27934	SEAL (BUTYL RUBBER)	--
4	1	C141727	A2-27933	SEAL (BUTYL RUBBER)	--
5	2	C79290	A4-4314	HANDLE	2
6	4	-	-	3/8" NC X 1 1/4" HEX BOLT C/W F/W	-
7	4	-	-	3/8" NC MILD STL CAP NUTS C/W F/W & L/W	-



SECTION A-A
SCALE: 5" = 1'-0"

PNC141731

REV	DATE	DESCRIPTION	BY



U.S. FILTER/BCP
3130 SPEERS ROAD
CARVELL, ONTARIO
CANADA
L6L 2X8
TELEPHONE: (905) 827-0843
FACSIMILE: (905) 827-8552

THIS DRAWING AND THE DESIGN SHOWN THEREIN IS THE PROPERTY OF US FILTER/BCP AND USE OR COPIES THEREOF CANNOT BE MADE WITHOUT WRITTEN CONSENT

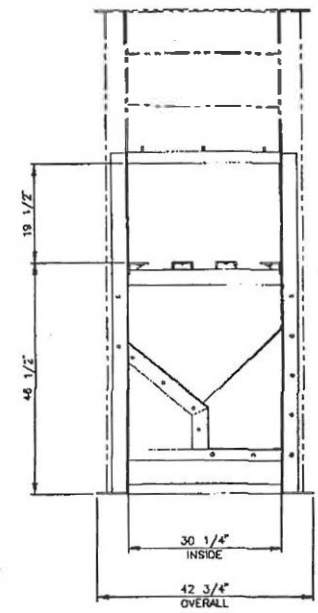
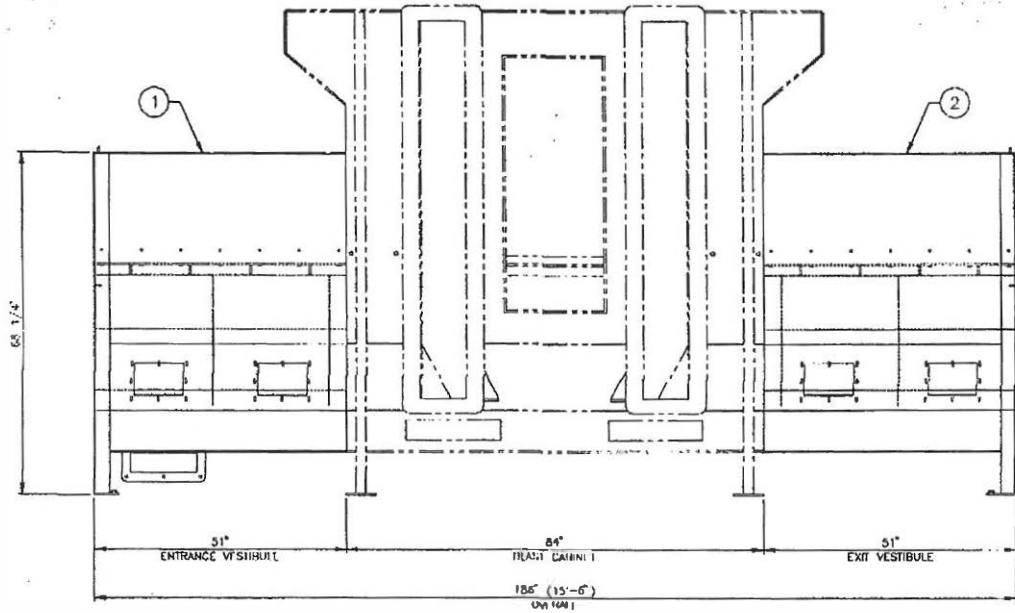
SEAL ASSEMBLY

DATE	DRAWN	COPY OF		
19 JUNE 1999	I RUSHTON	A2-17719		
GROUP	SCALE	DRAWING NO	REV	WEIGHT
41	3" = 1' 0"	A2-27936	0	11 LB

0
DRAWING NO
A1-52743

DRAWING NO
A1-52743
REV
0

REV	QTY	PART NO	DWG NO	DESCRIPTION	WT
1	1	C141197	A1-5209H	ENTRANCE VESTIBULE ASSEMBLY	1100
2	1	C141146	A1-52080	EXIT VESTIBULE ASSEMBLY	1084



PNC141273

REV		DATE	DESCRIPTION	BY		U.S. FILTER/BCP 2100 SPEEDY ROAD DANVILLE, CALIFORNIA 94526	TELEPHONE: (925) 827-0843 FACSIMILE: (925) 827-8862	DATE 07 JUNE 1993	DRAWN L. RUSHTON	COPIES OF —
VESTIBULE ARRANGEMENT										

THIS DRAWING AND THE DESIGN SHOWN THEREON IS THE PROPERTY OF U.S. FILTER/BCP AND USE OF SAID'S THEREOF CANNOT BE MADE WITHOUT WRITTEN CONSENT.

REV 0
DRAWING NO
A2-19804

DRAWING NO
A2-19804
REV 0

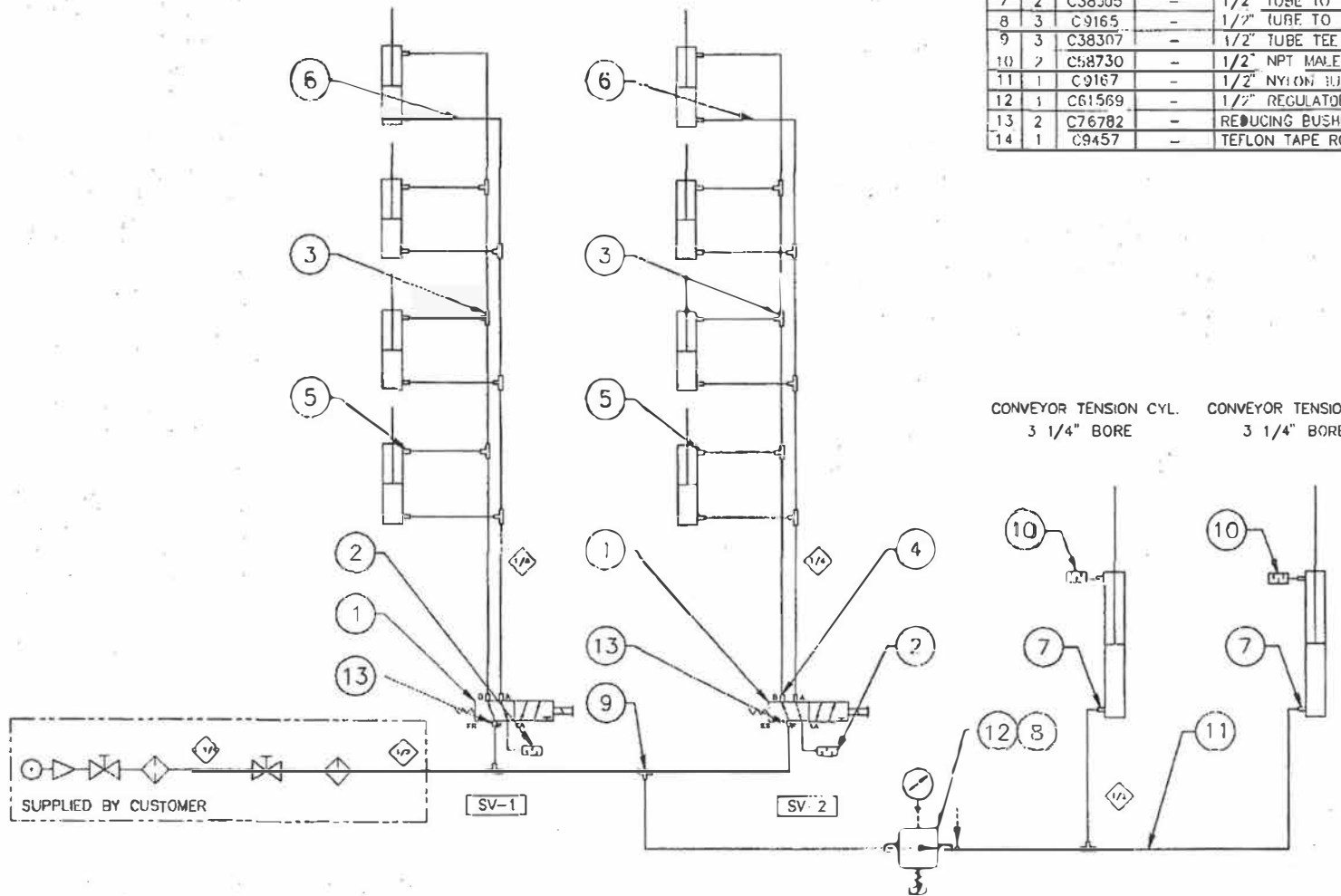
ITEM	QTY	PART NO	DWG NO	DESCRIPTION	WT
1	2	C113237	-	SOL. NHD ASSEMBLY	-
2	2	C9348	-	1/4" NPT MALE MUFFLER	-
3	12	C31439	-	1/4" TUBE TEE	-
4	2	C20318	-	1/4" NHD TO 1/4" NPT FITTING	-
5	16	C20308	-	1/4" TUBE TO 1/8" NPT FITTING	-
6	1	C9168	-	2/4" NYLON TUBING X 200'-0"	-
7	2	C38305	-	1/2" TUBE TO 1/2" NPT ELBOW	-
8	3	C9165	-	1/2" TUBE TO 1/2" NPT STRAIGHT	-
9	3	C38307	-	1/2" TUBE TEE	-
10	2	C58730	-	1/2" NPT MALE MUFFLER	-
11	1	C9167	-	1/2" NYLON TUBING X 40'-0"	-
12	1	C61569	-	1/2" REGULATOR UNIT	-
13	2	C76782	-	REDUCING BUSHING 1/2" TO 1/4" NPT	-
14	1	C9457	-	TEFLON TAPE ROLL (NOT SHOWN)	-

TOP BLAST WHEEL
ABRASIVE CONTROL VALVE
1 1/16" BORE

BOTTOM BLAST WHEEL
ABRASIVE CONTROL VALVE
1 1/16" BORE

CONVEYOR TENSION CYL.
3 1/4" BORE

CONVEYOR TENSION CYL.
3 1/4" BORE



LEGEND

- (2) DENOTES 1/8" SIZE IN INCHES
- PRESSURE REGULATOR
- SHUT-OFF VALVE
- DRIP LUBRICATOR
- LINE FILTER

REV	DATE	DESCRIPTION	BY

BCPP BLAST CLEANING PRODUCTS LTD.
OAKVILLE, ONTARIO, CANADA
(905) 827-0843

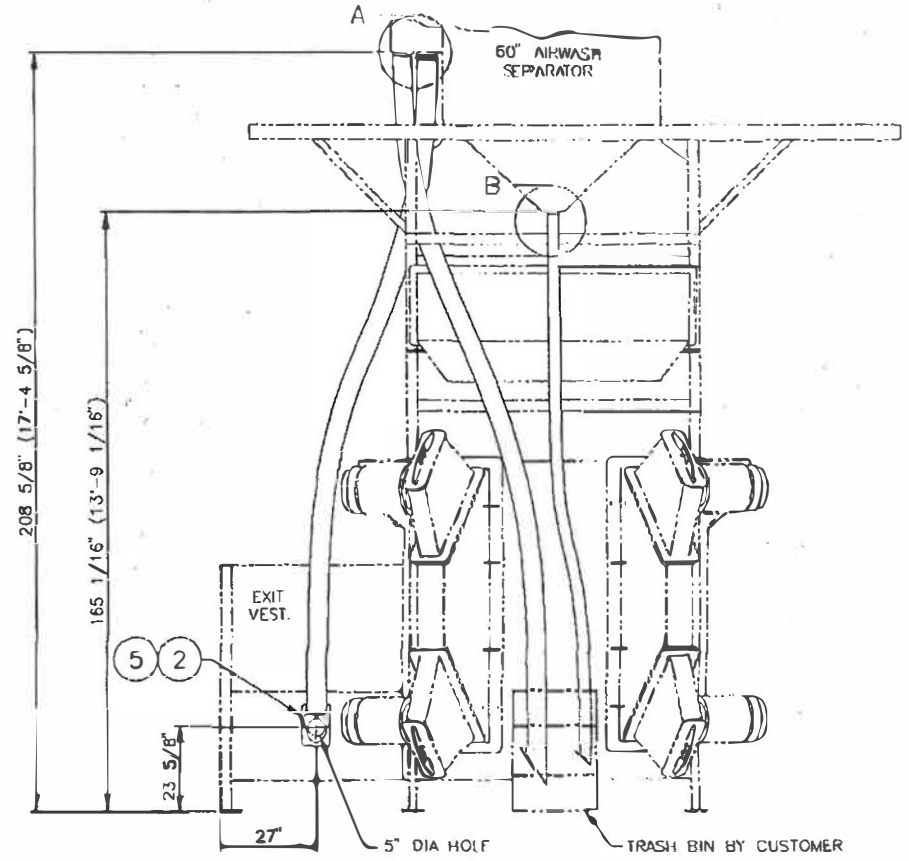
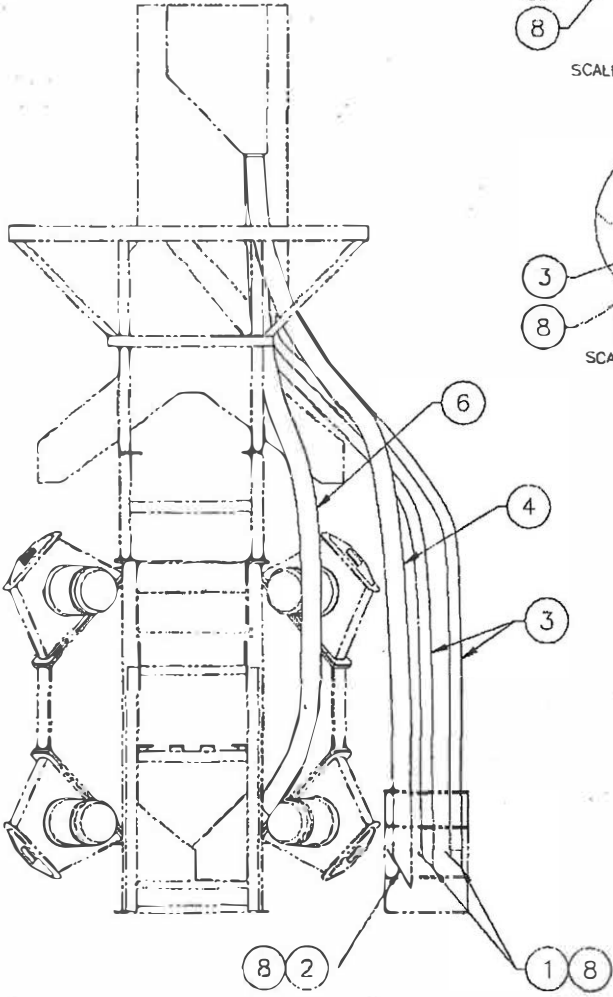
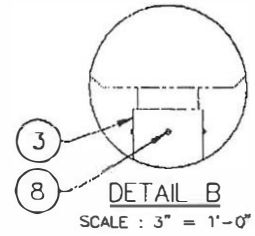
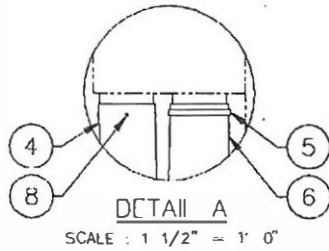
PNEUMATIC SCHEMATIC		DATE 2 APRIL 1997	DRAWN L RUSHION	COPY OF A2-19871
GROUP 65	SCALE FULL	DRAWING NO A2-19804	REV 0	WEIGHT 0 LB

THIS DRAWING AND THE DESIGN SHOWN THEREIN IS THE PROPERTY OF BLAST CLEANING PRODUCTS LTD. AND USE OR COPIES THEREOF CANNOT BE MADE WITHOUT WRITTEN CONSENT

0 REV
DRAWING NO
A2-27963

DRAWING NO
A2-27963
REV 0

ITEM	QTY	PART NO	DWG NO	DESCRIPTION	WT
1	2	C1835	-	3" DRIBBLE VALVE ASSEMBLY	10
2	1	C16274	-	5" DRIBBLE VALVE ASSEMBLY	9
3	1	C14113	-	3" DIA METAL FLEX HOSE X 40'-0"	-
4	1	C14267	-	5" DIA METAL FLEX HOSE X 20'-0"	-
5	1	C81128	-	HOSE CLAMP	-
6	1	C56763	-	5" DIA TIGERFLEX HOSE X 20'-0"	-
7	1	C108512	A3-18900	ADAPTER FLANGE	17
8	24	-	-	#12 X 3/4" SELF TAPPING SCREWS	-



VIEW FROM BEHIND CABINET PNC141817

REV	DATE	DESCRIPTION	BY

U.S. FILTER
BCP

U.S. FILTER/BCP
2180 SPIERS ROAD
CARROLLT, ONTARIO
CANADA
L6L 2X8

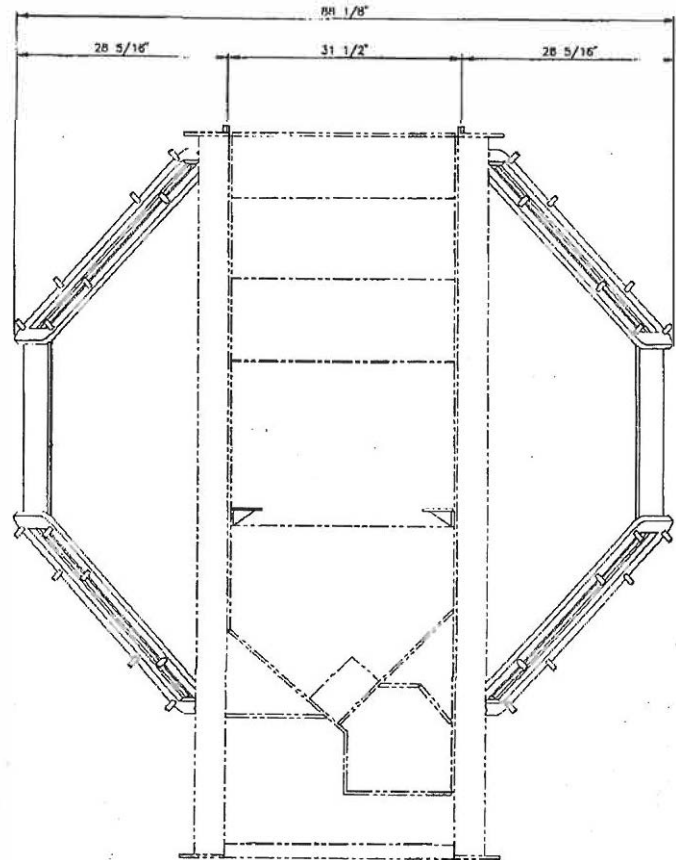
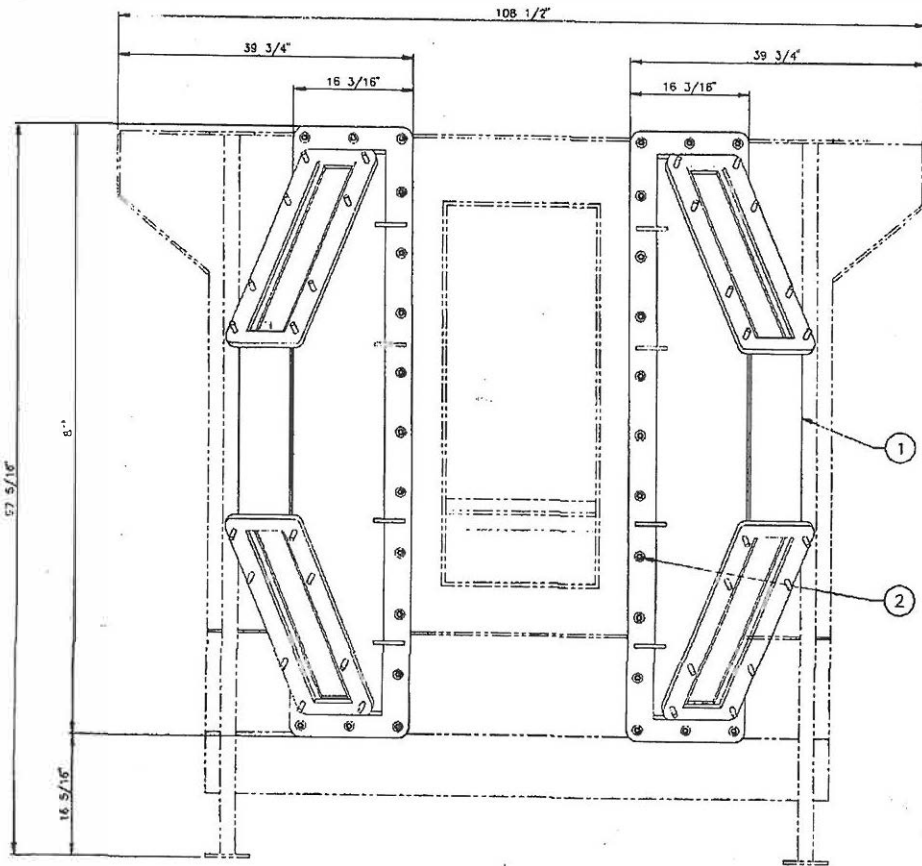
TELEPHONE: (905) 827-0643
FACSIMILE: (905) 827-8552

DATE	DRAWN	GROUP	SCALE	DRAWING NO	REV	WEIGHT
22 JUN 1999	L RUSHION	73	1/2" = 1'-0"	A2-27963	0	.16 LB

THIS DRAWING AND THE DESIGN SHOWN THEREIN IS THE PROPERTY OF U.S. FILTER/BCP AND USE OR COPIES THEREOF CANNOT BE MADE WITHOUT WRITTEN CONSENT

REV 0
DRAWING NO
A1-52573

ITEM	QTY	PART NO	DWG NO	DESCRIPTION	REV	WT
1	4	C139727	A1-51933	WHEEL POD ASSEMBLY		4148
2	86	-	-	5/8" NG HEX NUT C/W T/W & L/W		-



PNC140972

REV	DATE	DESCRIPTION	BY

U.S. FILTER
BCP

U.S. FILTER/BCP
2180 SPEERS ROAD
GARDEN GROVE, OHIO 44130
TEL: (216) 285-8840
FACSIMILE: (216) 285-8840

WHEEL POD
ARRANGEMENT

DATE	SCALE	DRAWN	BY	REV	WT
28 MAY 1999	1/2" = 1'	L. RUSHTON		0	4148 LB

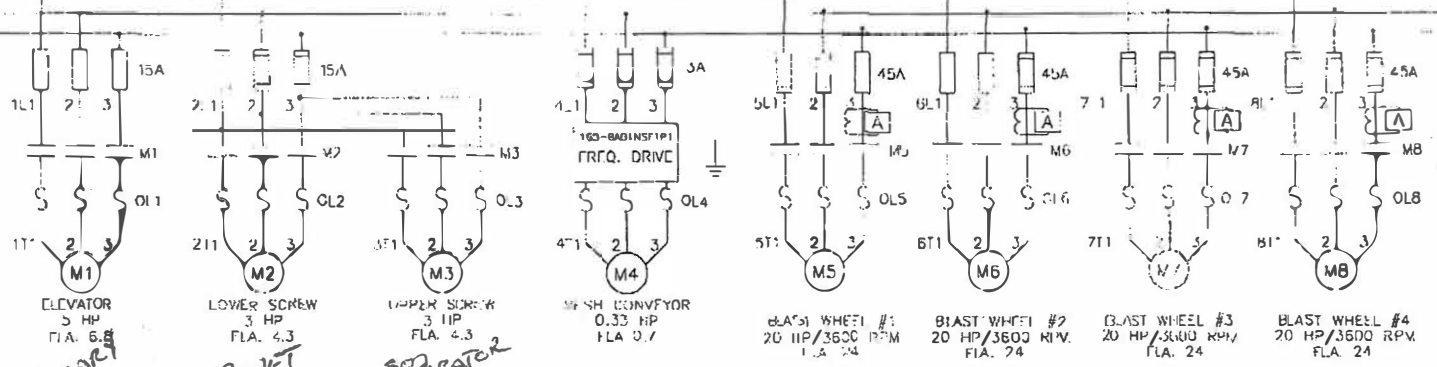
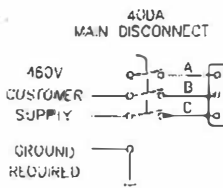
THIS DRAWING AND THE DESIGN SHOWN THEREIN IS THE PROPERTY OF U.S. FILTER/BCP AND USE OR COPIES THEREOF CANNOT BE MADE WITHOUT WRITTEN CONSENT.

ELECTRICAL DRAWING LIST

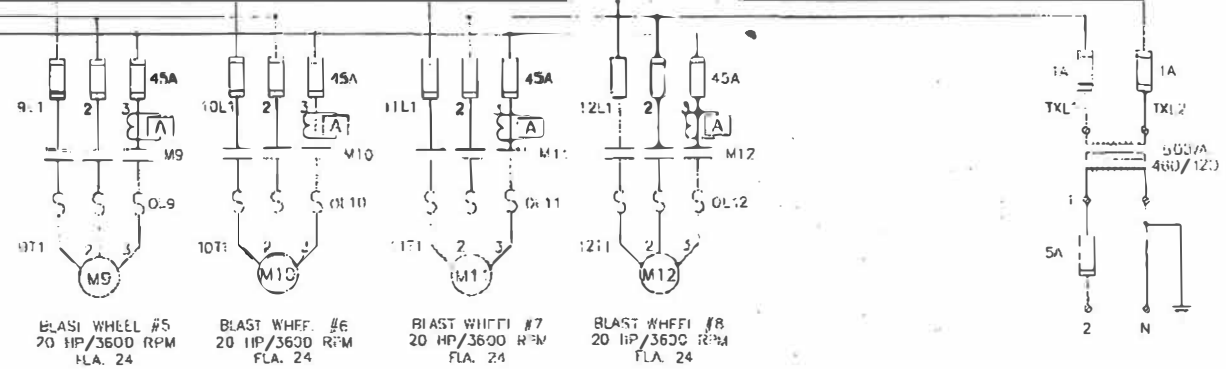
ALEXANDER CITY CASTING COMPANY INC.

SERIAL # 2295

DRAWING NO.	DESCRIPTION
GROUP 96	
DE000070	Power Schematic
DE000071	Control Schematic
DE000072	SLC500-Input Schematic
DE000073	SLC500-Output Schematic
DE000074	SLC500-Output Schematic
DE000075	Frequency Drive Schematic



PRIMARY CABINET
 ELEVATOR 5 HP F.L.A. 6.5
 LOWER SCREW 3 HP F.L.A. 4.3
 UPPER SCREW 3 HP F.L.A. 4.3
 WASH CONVEYOR 0.33 HP F.L.A. 0.7
 BLAST WHEEL #1 20 HP/3600 RPM F.L.A. 24
 BLAST WHEEL #2 20 HP/3600 RPM F.L.A. 24
 BLAST WHEEL #3 20 HP/3600 RPM F.L.A. 24
 BLAST WHEEL #4 20 HP/3600 RPM F.L.A. 24



BLAST WHEEL #5 20 HP/3600 RPM F.L.A. 24
 BLAST WHEEL #6 20 HP/3600 RPM F.L.A. 24
 BLAST WHEEL #7 20 HP/3600 RPM F.L.A. 24
 BLAST WHEEL #8 20 HP/3600 RPM F.L.A. 24

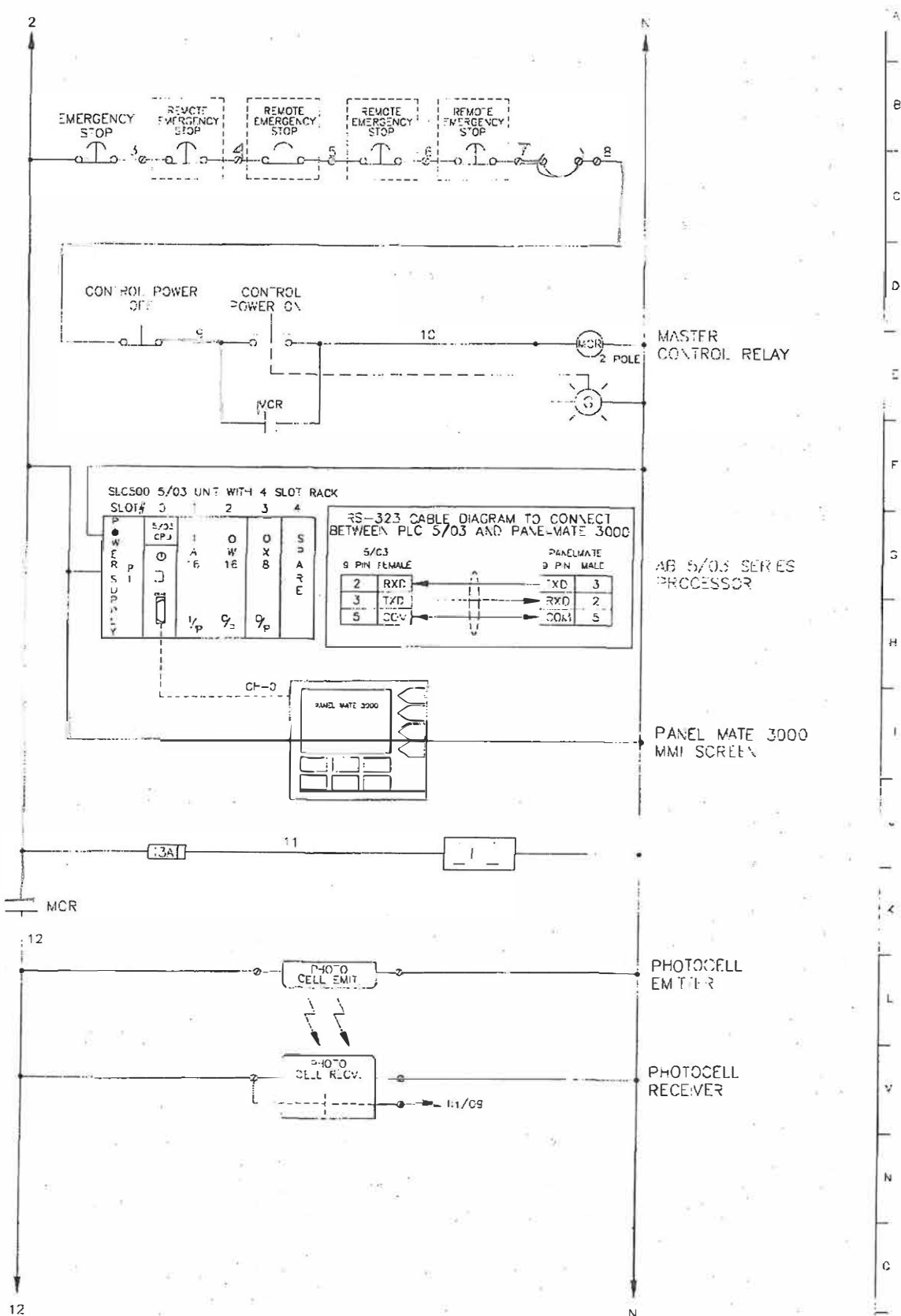
WIRE SIZE 90° INCH	
ABC	2/0
111	2/0
211	2/0
311	2/0
411	2/0
511	2/0
611	2/0
711	2/0
811	2/0
911	2/0
1011	2/0
1111	2/0
1211	2/0
1311	2/0
1411	2/0
1511	2/0

NAME PLATE DATA	
VOLTS 480V	FREQUENCY 60 HZ
HP 171.33	KW 131.3
CYCLES 60 Hz	AMPS 209

U.S. FILTER
 WIRELESS MOTOR
 POWER CONTROL DEVICES
 JOB 225, ALABAMA - 3 WAT. MOTOR #11
 DATED 1/21/49

UPPER SCREW
SECONDARY ELEVATOR
LOWER SCREW OUT SIDE
 M13
 M14
 M15

THIS DRAWING AND THE DESIGN SHOWN THEREIN IS THE PROPERTY OF U.S. FILTER CORPORATION AND WILL BE COPIED THEREOF WITHOUT THE WRITTEN CONSENT OF U.S. FILTER CORPORATION.



SLC500 5/03 UNIT WITH 4 SLOT RACK

SLOT#	1	2	3	4
5/03 CPJ	1 A	0 W	0 X	0 B
1/2	1/2	1/2	1/2	1/2

RS-323 CABLE DIAGRAM TO CONNECT BETWEEN PLC 5/03 AND PANEL-MATE 3000

5/03 9 PIN FEMALE	PANELMATE 9 PIN MALE
2 RXD	TXD 3
3 TXD	RXD 2
5 GND	COM 5

AB 5/03 SERIES PROCESSOR

PANEL MATE 3000 MMI SCREEN

PHOTOCELL EMITTER

PHOTOCELL RECEIVER

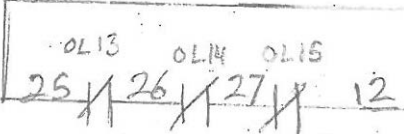
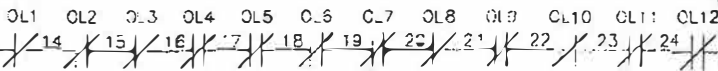
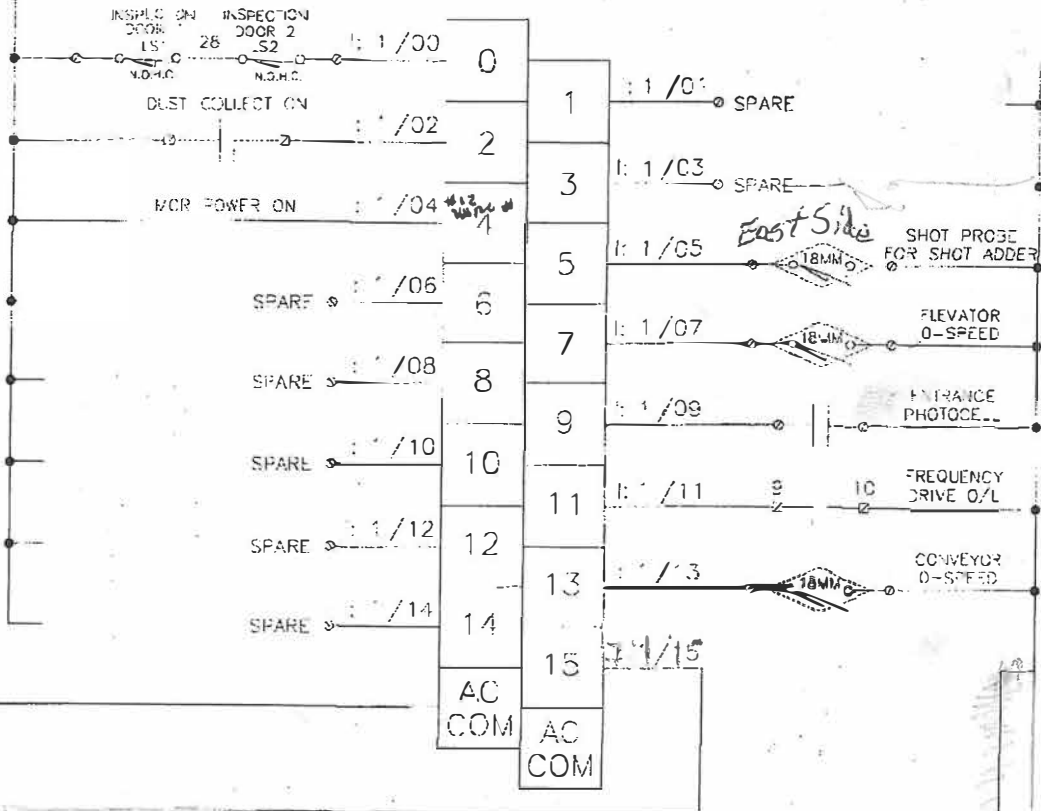
THIS DRAWING AND THE DESIGN SHOWN THEREIN IS THE PROPERTY OF UFI SURFACE PREPARATION AND USE OR COPIES THEREOF CANNOT BE MADE WITHOUT WRITTEN CONSENT

CLEARANCE
DATE: 11/1/93
BY: [Signature]

REV.	DATE	DESCRIPTION
1		REVISION DESCRIPTION
PRODUCT # DF000071		REV 0
U.S. FILTER WHOLESALE		
ELECTRICAL CONTROL PANEL		
REVISED: 06/11/93		
NO. 2782-A 1/2" X 1/2" X 1/2" 9 WHOLE V. 54-581		
REWORKS: [Signature]		
DATE: 07/27/93	BY: [Signature]	2-11

S.C. 500 1/46-1A16
 120VAC INPU MODULE
 SLOT 1
 11/00 to 11/15

12



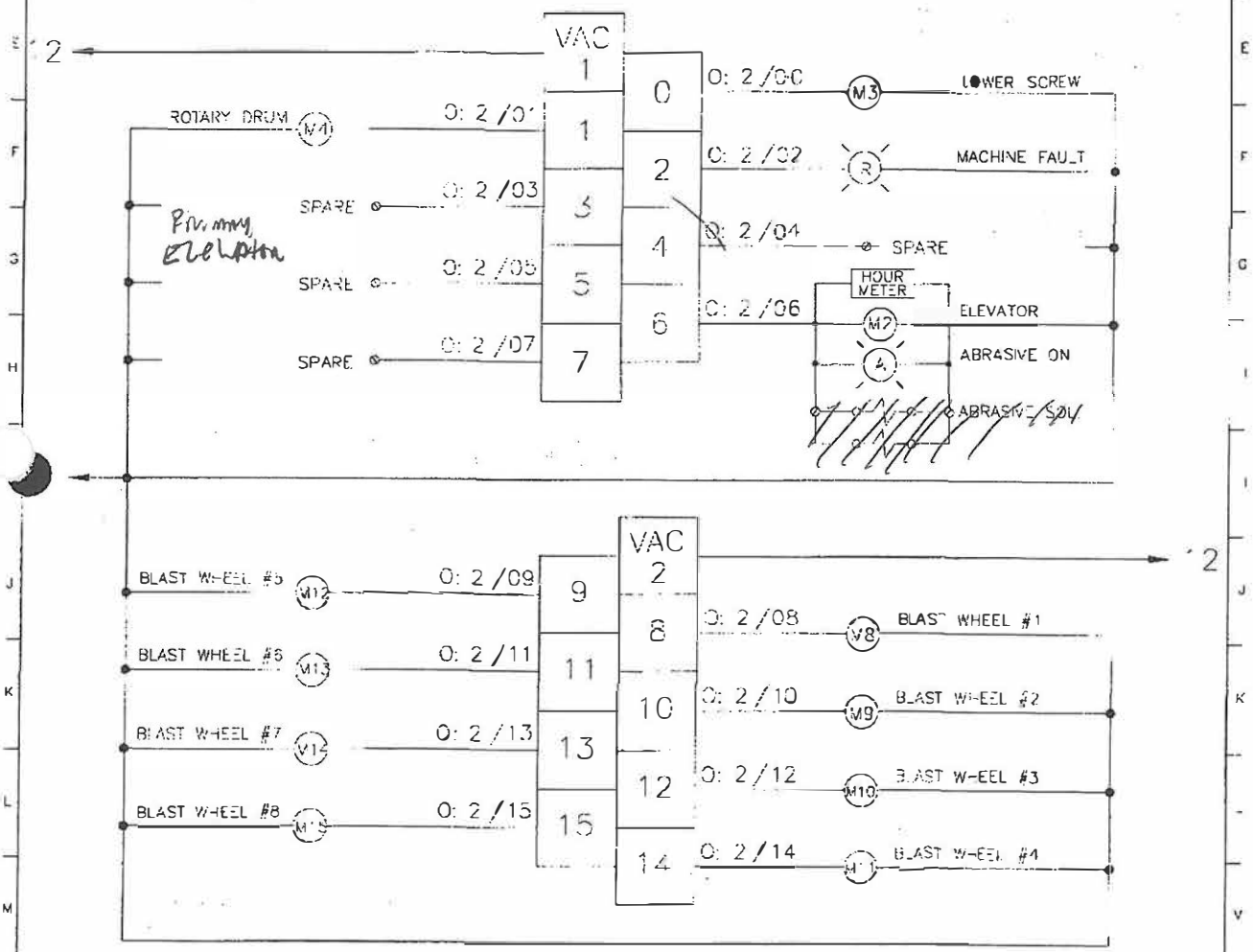
REV	DATE	DESCRIPTION	DATE	BY
REV 0		PRODUCT # DE000072		REV 0
U.S. FILTER				
WHEELABRATOR				
SLOT 1 INPU SCHEMATIC				
DATE: 07/21/1999				

THIS DRAWING AND THE DESIGN SHOWN THEREIN IS THE PROPERTY OF U.S. FILTER. REPRODUCTION AND USE OF COPIES THEREOF WITHOUT WRITTEN CONSENT IS PROHIBITED.



U.S. FILTER
 2255 ALLEN ROAD
 MALLARD
 DATE: 07/21/1999

S/C 500 1748-0W16
 20VAC OUTPUT MODULE
 SLOT 2
 0:2/00 to 0:2/15



THIS DRAWING AND THE DESIGN SHOWN THEREIN IS THE PROPERTY OF U.S. FILTER CORPORATION AND USE OF COPIES THEREOF CANNOT BE MADE WITHOUT WRITTEN CONSENT.

U.S. FILTER CORPORATION
 2295 ALEXANDER & WHEEL MESH BELT
 BEAVERDALE, ILL. 60009
 DATE: 2/2/1999

REV	DATE	DESCRIPTION
0		INITIAL DESIGN
1		REVISED
2		REVISED
3		REVISED
4		REVISED
5		REVISED
6		REVISED
7		REVISED
8		REVISED
9		REVISED
10		REVISED
11		REVISED
12		REVISED
13		REVISED
14		REVISED
15		REVISED
16		REVISED
17		REVISED
18		REVISED
19		REVISED
20		REVISED

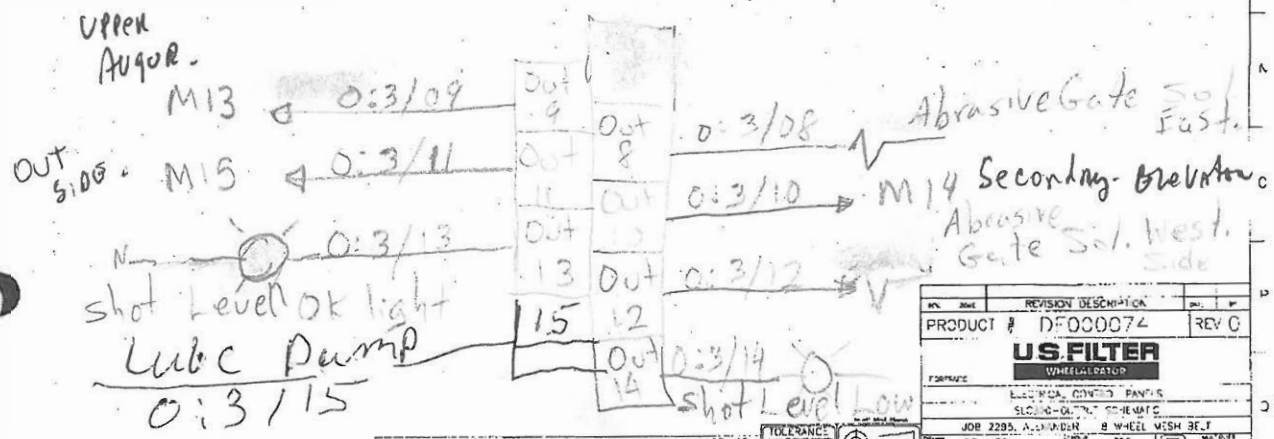
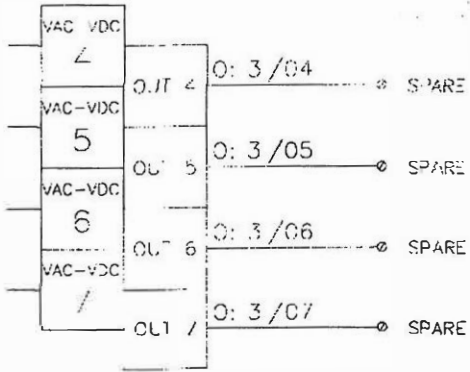
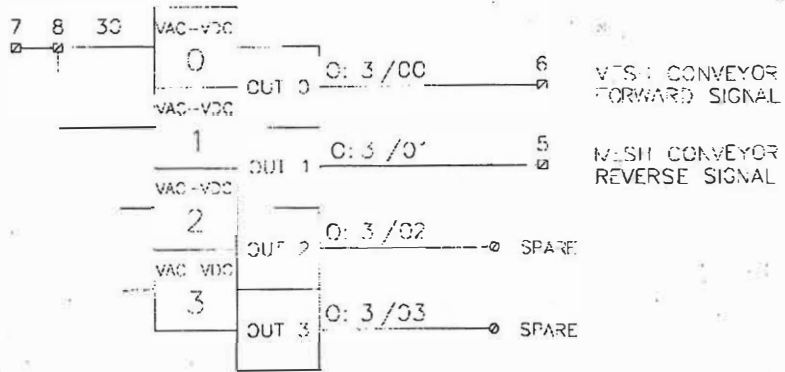
PRODUCT # DFO00073 REV 0

U.S. FILTER
 WHEELABRATOR

20VAC OUTPUT MODULE
 SLOTS OUTPUT SCHEMATIC

JOB 2295, ALEXANDER & WHEEL MESH BELT
 DRAWN: BEAVERDALE
 DATE: 2/2/1999

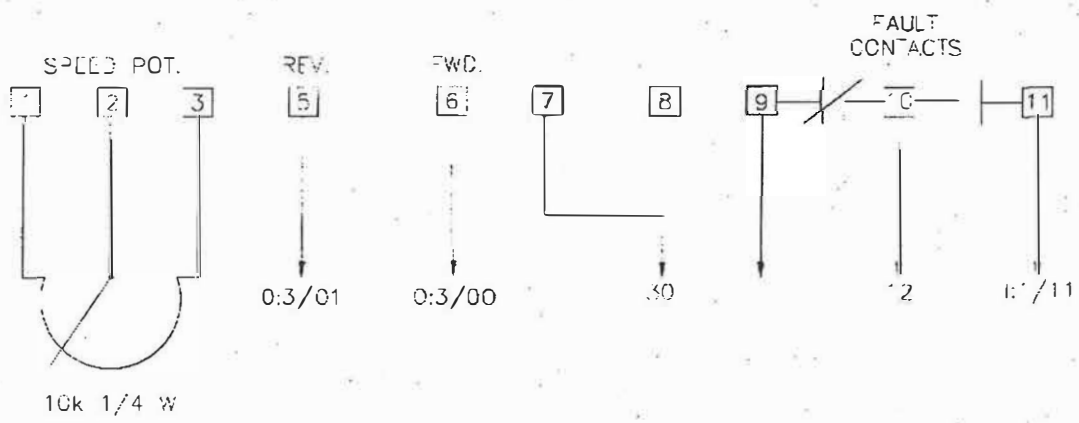
SLC 500 1746-0X8
 SOLATED RELAY MODULE
 S_OT 3
 0:3/00 to 0:3/07



THIS DRAWING AND THE DESIGN SHOWN THEREIN IS THE PROPERTY OF
 US FILTER CORPORATION AND NO PART THEREOF SHALL BE
 REPRODUCED OR TRANSMITTED IN ANY FORM OR BY ANY MEANS
 WITHOUT WRITTEN CONSENT.

REV. DATE	REVISION DESCRIPTION	BY	APPROVED
	PRODUCT # DF000074	REV C	
U.S. FILTER			
WHEELABRATOR			
ELECTRICAL CONTROL PANELS SLC-500™ SCHEMATIC			
JOB 2295, ADDENDUM 8 WHEEL MESH 30 L			
DRAWN BY: BEWARD			
DATE: 07/2/1999			

MESH CONVEYOR
 AB 160-BA01NS 1P1
 FREQUENCY DRIVE TERMINALS.



- PARAMETER #30: ACCEL TIME - 5 SEC
- PARAMETER #31: DECEL TIME - 5 SEC
- PARAMETER #32: MIN. FREQ. - 10 HZ
- PARAMETER #33: MAX. FREQ. - 60 HZ
- PARAMETER #34: STOP SELECT - 0
- PARAMETER #42: OVERLOAD CURRENT - 0.7 A

THIS DRAWING AND THE DESIGN SHOWN THEREON IS THE PROPERTY OF
 US FILTER CORPORATION AND USE OR REPRODUCTION THEREOF WITHOUT WRITTEN CONSENT
 IS PROHIBITED.

US FILTER CORPORATION
 10000 WILSON AVENUE
 BELL, TEXAS 75214
 214-392-1100

REV	DESCRIPTION	DATE	BY
0	DE000075		
US FILTER			
ELECTRONIC CONTROL PANELS FREQUENCY DRIVE SCHEMATIC			
JOB #	2295	ALLENBACH	B WHEEL MESH BELT
DATE	05/21/99	BY	DF. WARD
REV	0	DATE	05/21/99
		SCALE	2"=1"