

THE No.1 MAGAZINE FOR ELECTRONICS TECHNOLOGY & COMPUTER PROJECTS

EVERYDAY

JUNE 2000

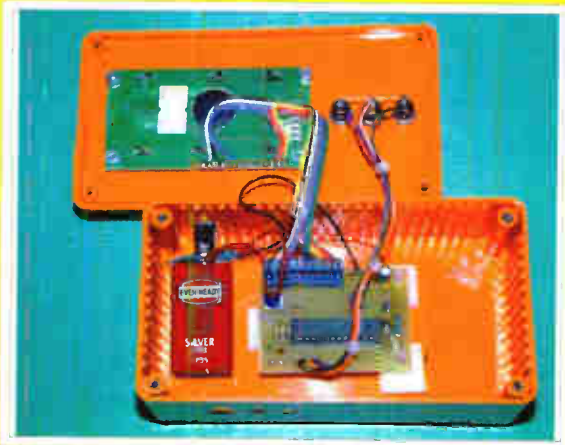
PRACTICAL

ELECTRONICS

INCORPORATING ELECTRONICS TODAY INTERNATIONAL

£2.65

**CANUTE
TIDE PREDICTOR**
For those that go
down to the sea



**ATMOSPHERIC
ELECTRICITY**
Measure the field
from solar wind

Starter Project
AUTO NIGHTLIGHT
Easy-to-build
timed illumination

PLUS
Net Work • Ingenuity Unlimited
Interface • Teach-In 2000
Circuit Surgery



**NOW
AVAILABLE
TO BUY
ON THE WEB**

EPe
online
www.epemag.com



<http://www.epemag.wimborne.co.uk>

12v 18Ah SEALED LEAD ACID BATTERIES, new and boxed, unused pack of 4 £39.95 ref CYC7 or £15 each ref CYC6

AUTOMATIC CHARGER For the above batteries charges 2 at once, charge level indicator circuitry 6 hour charge £10 ref CYC8

A new range of 12v to 240v INVERTERS
IV400S (400 watt) £89
IV800S (800 watt) £159
IV1200S (1200 watt) £219

ECG MACHINES?/6v 10AH BATT/24V 8A TX Ex government ECG machines! Measures 390X320X120mm, on the front are controls for scan speed, scan delay, scan mode, loads of connections on the rear including video out etc. On the front panel are two DIN sockets for connecting the body sensors to. Sensors not included. Inside 2 x 6v 10AH lead acid batts (not in good condition), pcb's and a BA? 24v toroidal transformer (mains in) sold as seen, may have one or two broken knobs etc due to poor storage. £15.99 ref VP2

SODIUM LAMP SYSTEMS £75.70 Complete system with 250w or 400watt SON-T Agro bulb, reflector with bulb holder and remote ballast and starter (uncased) all you need is wire. 250W system ref SLS1, 400W system SLS2.

PC SUPPORT HANDBOOK The ultimate technical guide to building and maintaining PC's. Over 460 A4 pages packed with technical data and diagrams just £10 ref PCBK. If you want 4 copies for £33 ref PCBK2. Also available is a CD packed with diagnostic programmes to use with the book £5 ref PCBK1

D SIZE NICADS Tagged, 1200mAh, 1.2v pack of 4 for £6 ref CYC9 or as a pack of 24 for £22 ref CYC10

D SIZE SEALED LEAD ACID BATTERIES

2v 2.5ah rechargeable sealed lead acid battery made by Cyclon 60x45mm (standard D size) supplied as a pack of 12 or 20 giving you options for battery configurations eg 12v at 5.4h 24v at 2.5h 6v at 10.4h. These batteries are particularly useful in that you can arrange them in your project to optimise space etc (eg boat ballast etc) Pack of 12 1.2v ref CYC4, pack of 20 1.6v ref CYC5

HYDROPONICS DO YOU GROW YOUR OWN?

We have a full colour hydroponics catalogue available containing nutrients, pumps, fittings, environmental control light fittings plants, test equipment etc Ring for your free copy.

PC COMBINED UPS AND PSU The unit has a total power of 292 watts, standard mother board connectors and 12 peripheral power leads for drives etc. Inside is 3 12v 7.2ah sealed lead acid batteries. Backup time is 8 mins at full load or 30 mins at half load. Made in the UK by Magnum, 110 or 240vac input, +5v at 35A, -5v at 5A +12v at 9A, -12v at 5A outputs. 170x260x220mm new and boxed £29.95 ref PCUPS2

ALTERNATIVE ENERGY CD, PACKED WITH HUNDREDS OF ALTERNATIVE ENERGY RELATED ARTICLES, PLANS AND INFORMATION ETC £14.50 REF CD56

AERIAL PHOTOGRAPHY KIT This rocket comes with a built in camera! It flies up to 500 feet (150 m) turns over, and takes an aerial photograph of the ground below. The rocket then returns with its film via its parachute. Takes 110 film. Supplied complete with everything including a launch pad and 3 motors (no film) £29.98 ref astro

PROJECT BOXES Another bargain for you are these smart ABS project boxes, smart two piece screw together case measuring approx 6"x5"x2" complete with panel mounted LED. Inside you will find loads of free bits, tape heads, motors, chips resistors, transistors etc. Pack of 20 £19.95 ref MD2

TELEPHONES Just in this week is a huge delivery of telephones, all brand new and boxed. Two piece construction - illuminated keypad, tone or pulse (switchable) recall, redial and pause high/low and off hooker switch and quality construction. Off white colour and is supplied with a standard international lead (same as US or modems) if you wish to have a BT lead supplied to convert the phones these are £1.55 each ref BTX. Phones £4.99 each ref PH210 off £30 ref SS2

3HP MAINS MOTORS Single phase 240v, brand new 2 pole 340x180mm 2850 rpm, built in automatic reset overload protector, keyed shaft (40x16mm) Made by Leeson. £99 each ref LEE1

BUILD YOUR OWN WINDFARM FROM SCRAP New publication gives step by step guide to building wind generators and propellers. Armed with this publication and a good local scrap yard could make you self sufficient in electricity! £12 ref LOT81

CHIEFTAN TANK DOUBLE LASERS 9 WATT + 3 WATT + LASER OPTICS Could be adapted for laser listener. Long range comms etc. Double beam units designed to fit in the barrel of a tank, each unit has 2 semi conductor lasers and motor drive units for alignment 7 mile range, no circuit diagrams due to MOD new price £50 000? us? £199. Each unit has two gallium Arsenide injection lasers, 1 x 9 watt, 1 x 3 watt 900nm wavelength 28vdc 600hz pulse freq. The units also contain a receiver to detect reflected signals from targets. £99 Ref LOT4

MAGNETIC CREDIT CARD READERS AND ENCODING MANUAL £9.95 Cased with file leads designed to read standard credit cards! complete with control electronics PCB and manual covering everything you could want to know about what's hidden in that magnetic strip on your card! just £9.95 ref BAR31

SOLAR POWER LAB SPECIAL 2x 6"x6" 6v 130mA cells 4LED's, wire, buzzer, switch + relay motor £7.99 REF SA27

SOLAR NICAD CHARGERS 4x AA size £9.99 ref 6P476. 2x C size £9.99 ref 6P477

BRAND NEW MILITARY ISSUE DOSE METERS

Current NATO issue Standard emergency services unit Used by most of the worlds Military personnel New and boxed Normal retail price £400. BULLS bargain price just £99! The PDRM 82 M is a portable lightweight, water resistant gamma radiation survey meter to measure radiological dose rate in the range 0.1 to 300 centigrays per hour in air. The Geiger Muller (G.M.) tube detecting unit is energy and polar response corrected. The radiation level is displayed on a Liquid Crystal Display. The microcomputer corrects for the non-linearity of the G.M. tube response. The instrument is powered by three international C size batteries giving typically 400 hours operation in normal conditions. The dose rate meter PDRM 82M designed and selected for the United Kingdom Government, has been fully evaluated to satisfy a wide range of environmental conditions and is nuclear hard. The construction enables the instrument to be easily decontaminated. The instrument is designed for radiation surveys for post incident monitoring. Used in a mobile role either carried by troops or in military vehicles for rapid deployment enabling radiation hot spots to be quickly located. Range 0 - 300 cGy/h in 0.1 cGy/h increments. Over range to 1500 cGy/h - indicates flashing 300. Accuracy (20% of true dose rate +0.1 cGy/h, 0 - 100 cGy/h) (30% of true dose rate, 100 - 300 cGy/h). Energy Response 0.3 MeV to 3 MeV - within (20% (Ra 226) 80 KeV to 300 KeV - within 140% (Ra 226). Detector Energy compensated Halogen quenched Geiger Muller Tube. Controls Combined battery access and ON/OFF switch. Batteries 3 International standard C cells. Weight 560 grams. Operating Temperature Range -30deg C to +50 deg C. Indications High contrast 4 digit LCD. Battery low indication. Dose rate Rising/Falling. £95 ref PDRM

Hydrogen fuel cells Our new Hydrogen fuel cells are 1v at up to 1A output, Hydrogen input, easily driven from a small electrolysis assembly or from a hydrogen source, our demo model uses a solar panel with the output leads in a glass of salt water to produce the hydrogen! Each cell is designed to be completely taken apart, put back together and expanded to what ever capacity you like. (up to 10 watts and 12v per assembly. Cells cost £49 ref HFC11

PHILIPS VP406 LASER DISC PLAYERS, SCART OUTPUT, JUST PUT YOUR VIDEO DISK IN AND PRESS PLAY. STANDARD AUDIO AND VIDEO OUTPUTS, £14.95 REF VP406

SMOKE ALARMS Mains powered, made by the famous Gent company, easy fit next to light fittings, power point. Pack of 5 £15 ref SS23, pack of 12 £24 ref SS24

4AH D SIZE NICADS pack of 4 £10 ref 4AHPK
SENDER KIT Contains all components to build a AVV transmitter complete with case £35 ref VSXX2

10 WATT SOLAR PANEL Amorphous silicon panel fitted in a anodized aluminium frame. Panel measures 3' by 1' with screw terminals for easy connection. 3' x 1' solar panel £55 ref MAG46

12V SOLAR POWERED WATER PUMP Perfect for many 12v DC uses. From solar fountains to hydroponics! Small and compact yet powerful works direct from our 10 watt solar panel in bright sun. Max head 17 ft. Max flow = 8 l.p.m. 1.5A Ref ACB £18.99

SOLAR ENERGY BANK KIT 50x 6"x12" 6v solar panels (amorphous) +50 diodes £99 ref EF112
PINHOLE CAMERA MODULE WITH AUDIO!

Superb board camera with on board sound! extra small just 28mm square (including microphone) ideal for covert surveillance. Can be hidden inside anything. even a matchbox! Complete with 15 metre cable, psu and tv/cv connectors. £49.95 ref CC6J

SOLAR MOTORS Tiny motors which run quite happily on voltages from 3-12vdc. Works on our 6v amorphous 6" panels and you can run them from the sun! 32mm dia 20mm thick £1.50 each

WALKIE TALKIES 1 MILE RANGE £37/PAIR REF MAG30

LIQUID CRYSTAL DISPLAY Bargain prices, 40 character 1 line 154x16mm £6.00 ref SMC4011A

YOUR HOME COULD BE SELF SUFFICIENT IN ELECTRICITY Comprehensive plans with loads of info on designing systems, panels, control electronics. etc £7 ref PV1

AUTO SUNCHARGER 155x300mm solar panel with diode and 3 metre lead and cigar plug 12v 2w £12.99 REF AUG10P3

SOLAR POWER LAB SPECIAL 2x 6"x6" 6v 130mA cells 4LED's, wire buzzer switch + relay motor £7.99 REF SA27

SOLAR NICAD CHARGERS 4 x AA size £9.99 ref 6P476. 2 x C size £9.99 ref 6P477

MINATURE TOGGLE SWITCHES These top quality Japanese panel mount toggle switches measure 35x13x12mm, are 2 pole changeover and will switch 1A at 250vac, or 3A at 125vac. Complete with mounting washers and nuts. Supplied as a box of 100 switches for £29.95 ref SWT35 or a bag of 15 for £4.99 ref SWT34

VOICE CHANGERS Hold one of these units over your phone mouth piece and you can adjust your voice using the controls on the unit! Battery operated £15 ref CC3

BULL ELECTRICAL

250 PORTLAND ROAD, HOVE, SUSSEX.
BN3 5QT. (ESTABLISHED 50 YEARS).

MAIL ORDER TERMS: CASH, PO OR CHEQUE WITH ORDER PLUS £4.00 P&P PLUS VAT.

24 HOUR SERVICE £6.50 PLUS VAT.

OVERSEAS ORDERS AT COST PLUS £3.50 (ACCESS, VISA, SWITCH, AMERICAN EXPRESS)

phone orders : 01273 203500

FAX 01273 323077
Sales@bull-electrical.com

30 WATTS OF SOLAR POWER for just £69, 4 panels each one 3'x1' and producing 8w, 13v. PACK OF FOUR £69 ref SOLX

200 WATT INVERTERS plugs straight into your car cigarette lighter socket and is fitted with a 13A socket so you can run your mains operated devices from your car battery. £49.95 ref SS66

THE TRUTH MACHINE Tells if someone is lying by micro tremors in their voice, battery operated, works in general conversation and on the phone and TV as well! £42.49 ref TD3

INFRA RED FILM 6" square piece of flexible infra red film that will only allow IR light through. Perfect for converting ordinary torches, lights, headlights etc to infra red output only using standard light bulbs. Easily cut to shape. 6" square £15 ref IRF2

33 KILO LIFT MAGNET Neodymium 32mm diameter with a fixing bolt on the back for easy mounting. Each magnet will lift 33 kilos. 4 magnets bolted to a plate will lift an incredible 132 kilos! £15 ref MAG33. Pack of 4 just £39.95 ref MAG33AA

HYDROGEN FUEL CELL PLANS Loads of information on hydrogen storage and production. Practical plans to build a Hydrogen fuel cell (good workshop facilities required) £8 set ref FCP1

STIRLING ENGINE PLANS Interesting information pack covering all aspects of Stirling engines. Pictures of home made engines made from an aerosol can running on a candle! £12 ref STIR2

ENERGY SAVER PLUGS Saves up to 15% electricity when used with Indegs motors up to 2A light bulbs soldering irons etc. £9 ea ref LOT171, 10 pack £69 ref LOT172

12V OPERATED SMOKE BOMBS Type 3 is a 12v trigger and 3 smoke canisters. Each canister will fill a room in a very short space of time! £14.99 ref SB3. Type 2 is 20 smaller canisters (suitable for mock equipment fires etc) and 1 trigger module for £29 ref SB2. Type 1 is a 12v trigger and 20 large canisters £49 ref SB1

HI POWER ZENON VARIABLE STROBES Useful 12v PCB fitted with hi power strobe tube and control electronics and speed control potentiometer. Perfect for interesting projects. etc 70x55mm 12vdc operation. £5 ea ref FLS1, pack of 10 £49 ref FLS2

NEW LASER POINTERS 4.5mm 75 metre range hand held unit runs on two AA batteries (supplied) 670nm. £29 ref DEC49J

HOW TO PRODUCE 35 BOTTLES OF WHISKY FROM A SACK OF POTATOES Comprehensive 270 page book covers all aspects of spirit production from everyday materials. Includes construction details of simple stills. £12 ref MS3

NEW HIGH POWER MINIBUG With a range of up to 800 metres and a 3 days use on a PP3. This is our top selling bug! less than 1" square and a 10m voice pick up range. £28 Ref LOT102

IR LAMP KIT Suitable for CCTV cameras, enables the camera to be used in total darkness! £6 ref EF138

INFRARED POWER BEAM Handheld battery powered lamp. 4 inch reflector. gives out powerful pure infrared light! perfect for CCTV use, night sights etc. £29 ref PB1

SUPER WIDEBAND RADAR DETECTOR Detects both radar and laser. X K and KA bands. speed cameras and all known speed detection systems. 360 degree coverage front & rear waveguides. 1" x 2" 7" x 4" 6" fits on visor or dash. £149

LOPTX Made by Samsung for colour TV. £3 each ref SS52

LAPTOP LCD SCREENS 240x175mm. £12 ref SS51

WANT TO MAKE SOME MONEY? STUCK FOR AN IDEA? We have collated 140 business manuals that give you information on setting up different businesses. you peruse these at your leisure using the text editor on your PC. Also included is the certificate enabling you to reproduce (and sell) the manuals as much as you like! £14 ref EP74

ELECTRONIC SPEED CONTROLLER KIT For the above motor is £19 ref MAG17. Save £5 if you buy them both together. 1 motor plus speed controller. rrp is £41. offer price £36 ref MOT5A

INFRA RED REMOTE CONTROLS made for TV's but may have other uses pack of 100 £39 ref IREM

RCB UNITS In line IEC lead with fitted RC breaker. Installed in seconds. Pack of 3 £9.98 ref LOT5A

On our web sites you can

1. Order online.
2. Check your premium bonds.
3. Enter our auction or build your own.
4. Add E-commerce to your own site.
5. Discover our software site, optical site, hydroponics site, holiday home exchange site, inkjet site, hotels site.
6. View our web camera.
7. Invest in our future.

<http://www.bullnet.co.uk>

YOUR HOME COULD BE SELF SUFFICIENT IN ELECTRICITY Comprehensive plans with loads of info on designing systems, panels, control electronics. etc £7 ref PV1

AUTO SUNCHARGER 155x300mm solar panel with diode and 3 metre lead and cigar plug 12v 2w £12.99 REF AUG10P3

STEPPER MOTORS Brand new stepper motors, 4mm fixing holes with 47 14mm fixing centres. 20mm shaft 6.35mm diameter, 5v/phase 0.7A/phase 1.8 deg step (200 step) Body 56x36mm £14.99 ea ref STEP6, pack of 4 for £49.95 PCB based variable speed controller kit £15 ref STEP7

ISSN 0262 3617
 PROJECTS ... THEORY ... NEWS ...
 COMMENTS ... POPULAR FEATURES ...

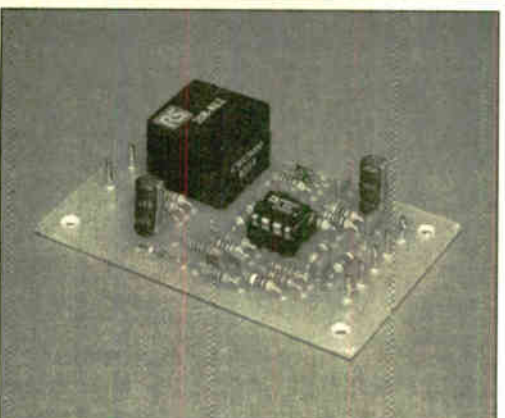
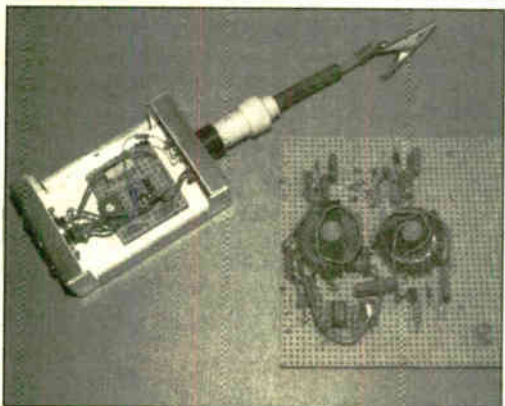
VOL. 29. No. 6 JUNE 2000

Cover illustration by Jonathan Robertson

EVERYDAY PRACTICAL ELECTRONICS

INCORPORATING ELECTRONICS TODAY INTERNATIONAL

<http://www.epemag.wimborne.co.uk>



© Wimborne Publishing Ltd 2000. Copyright in all drawings, photographs and articles published in EVERYDAY PRACTICAL ELECTRONICS is fully protected, and reproduction or imitations in whole or in part are expressly forbidden.

Our July 2000 Issue will be published on Friday, 2 June 2000. See page 403 for details

Projects and Circuits

- ATMOSPHERIC ELECTRICITY DETECTOR** by Keith Garwell 412
Investigate Nature's power-house with this intriguing experimental design
- INGENUITY UNLIMITED** hosted by Alan Winstanley 422
Voltage Booster; Air-Flow Detector; Clock Detector; PICO Prize Winners
- AUTOMATIC NIGHTLIGHT** by Robert Penfold 430
A simple Starter Project to lighten the darkness for the young and the frail
- CANUTE TIDE PREDICTOR** by John Becker 440
A simple tide calculator for paddlers, dabblers and kings of the sand castle
- MULTI-CHANNEL TRANSMISSION SYSTEM - 2** by Andy Flind 464
Concluding the 8 to 16-channel 2-wire signalling link with optional interface for private phone systems

Series and Features

- INTERFACE** by Robert Penfold 424
Obtaining power from a PC's serial and parallel ports
- NEW TECHNOLOGY UPDATE** by Ian Poole 426
New techniques improve the size and efficiency of fuel cells
- NET WORK - THE INTERNET PAGE** surfed by Alan Winstanley 428
CompuServe in perspective
- TECHNOLOGY TIMELINES - 5. Crystal Balls!** by Clive "Max" Maxfield and Alvin Brown 434
Concluding the fascinating story of how technology has developed with a misty gaze into what the future might hold
- TEACH-IN 2000 - 8. Comparators, Mixers, Audio and Sensor Amplifiers** by John Becker 455
Essential info for the electronics novice, with breadboard experiments and interactive computer simulations.
- CIRCUIT SURGERY** by Alan Winstanley and Ian Bell 470
Looking for Trouble? - A constructor's guide to methodical fault finding

Regulars and Services

- EDITORIAL** 411
- NEWS** - Barry Fox highlights technology's leading edge 419
Plus everyday news from the world of electronics
- READOUT** John Becker addresses general points arising 449
- CD-ROMS FOR ELECTRONICS** 452
Filters; Digital Works 3.0; Parts Gallery + Electronic Circuits and Components; Digital Electronics; Analogue Electronics; PICtutor, ModularCircuit Design; see also *Direct Book Service* pages
- BACK ISSUES** Did you miss these? 462
- SHOPTALK** with David Barrington 468
The *essential* guide to component buying for *EPE* projects
- ELECTRONICS VIDEOS** Our range of educational videos 469
- ELECTRONICS MANUALS** 472
Essential reference works for hobbyists, students and service engineers
- DIRECT BOOK SERVICE** 474
A wide range of technical books available by mail order, plus more CD-ROMs
- PRINTED CIRCUIT BOARD AND SOFTWARE SERVICE** 477
PCBs for *EPE* projects - some at "knockdown" prices! Plus *EPE* software
- ADVERTISERS INDEX** 480

Visit our website
www.distel.co.uk

THE ORIGINAL SURPLUS WONDERLAND!

THIS MONTH'S SELECTION FROM OUR VAST EVER CHANGING STOCKS

Surplus always
wanted for cash!

THE AMAZING TELEBOX

Converts your colour monitor into a QUALITY COLOUR TV!!



TV SOUND &
VIDEO TUNER
CABLE COMPATIBLE*

The TELEBOX is an attractive fully cased mains powered unit, containing all electronics ready to plug into a host of video monitors or AV equipment which are fitted with a composite video or SCART input. The composite video output will also plug directly into most video recorders, allowing reception of TV channels not normally receivable on most television receivers* (TELEBOX MB). Push button controls on the front panel allow reception of 8 fully tuneable off air UHF colour television channels. TELEBOX MB covers virtually all television frequencies VHF and UHF including the HYPERBAND as used by most cable TV operators. Ideal for desktop computer video systems & PIP (picture in picture) setups. For complete compatibility - even for monitors without sound - an integral 4 watt audio amplifier and low level Hi Fi audio output are provided as standard. Brand new - fully guaranteed.

TELEBOX ST for composite video input type monitors £36.95
TELEBOX STL as ST but fitted with integral speaker £39.50
TELEBOX MB Multiband VHF/UHF/Cable/Hyperband tuner £69.95
For overseas PAL versions state 5.5 or 6 mHz sub specification.
*For cable / hyperband signal reception Telebox MB should be connected to a cable type service. Shipping on all Teleboxes, code (B)

NEW State of the art PAL (UK spec) UHF TV tuner module with composite 1Vpp video & NICAM hi fi stereo sound outputs. Micro electronics all on one small PCB only 73 x 160 x 52 mm enable full tuning control via a simple 3 wire link to an IBM pc type computer. Supplied complete with simple working program and documentation. Requires +12V & +5V DC to operate. **BRAND NEW - Order as MY00. Only £49.95 code (B)**
See www.distel.co.uk/data_my00.htm for picture + full details

FLOPPY DISK DRIVES 2 1/2" - 8"

All units (unless stated) are **BRAND NEW** or removed from often brand new equipment and are fully tested, aligned and shipped to you with a full 90 day guarantee. Call or see our web site www.distel.co.uk for over 2000 unlisted drives for spares or repair.

- 3 1/2" Mitsubishi MF355C-L 1.4 Meg. Laptops only £25.95(B)
- 3 1/2" Mitsubishi MF355C-D 1.4 Meg. Non laptop £18.95(B)
- 5 1/4" Teac FD-55GFR 1.2 Meg (for IBM PCs) RFE £18.95(B)
- 5 1/4" Teac FD-55F-03-U 720K/4080 (for BBC's etc) RFE £29.95(B)
- 5 1/4" BRAND NEW Mitsubishi MF501B 350K £22.95(B)
- Table top case with integral PSU for HH 5 1/4" Floppy / HD £29.95(B)
- 8" Shugart 800/801 8" SS refurbished & tested £210.00(E)
- 8" Shugart 810 8" SS HI Brand New £195.00(E)
- 8" Shugart 851 8" double sided refurbished & tested £260.00(E)
- 8" Mitsubishi M2894-63 double sided NEW £295.00(E)
- 8" Mitsubishi M2896-63-02U DS slimline NEW £295.00(E)
- Dual 8" cased drives with integral power supply 2 Mb £499.00(E)

HARD DISK DRIVES 2 1/2" - 14"

- 2 1/2" TOSHIBA MK1002MAV 1.1Gb laptop (12.5 mm H) New £79.95
 - 2 1/2" TOSHIBA MK2101MAN 2.16 Gb Laptop (19.5 mm H) New £89.50
 - 2 1/2" TOSHIBA MK4309MAT 4.3Gb laptop (8.2 mm H) New £105.00
 - 2 1/2" TOSHIBAMK6409MAV 6.1Gb laptop (12.7 mm H) New £190.00
 - 2 1/2" to 3 1/2" conversion kit for PCs, complete with connectors £14.95
 - 3 1/2" FUJII FK-309-26 20mb MFM I/F RFE £59.95
 - 3 1/2" CONNER CP3024 20 mb IDE I/F (or equiv.) RFE £59.95
 - 3 1/2" CONNER CP3044 40 mb IDE I/F (or equiv.) RFE £69.00
 - 3 1/2" QUANTUM 40S Prodriv v6 42mb SCSI I/F, New RFE £49.00
 - 5 1/4" MINISCRIBE 3425 20mb MFM I/F (or equiv.) RFE £49.95
 - 5 1/4" SEAGATE ST-238R 30 Mb RLL I/F Refurb £69.95
 - 5 1/4" CDC 94205-51 40mb HH MFM I/F RFE tested £99.00
 - 5 1/4" HP 97548 850 Mb SCSI RFE tested £195.00
 - 5 1/4" HP C3010 2 Gbyte SCSI differential RFE tested £199.00
 - 8" NEC D2246 85 Mb SMD interface. New £199.00
 - 8" FUJITSU M2322K 160Mb SMD I/F RFE tested £195.00
 - 8" FUJITSU M2392K 2 Gb SMD I/F RFE tested £345.00
- Many other drives in stock - Shipping on all drives is code (C1)

TEST EQUIPMENT & SPECIAL INTEREST ITEMS

- MITS. FA3455ETKL 14" Industrial spec SVGA monitors £245
- FARNELL 0-60V DC @ 50 Amps, bench Power Supplies £995
- FARNELL AP3080 0-30V DC @ 80 Amps, bench Supply £1850
- 1KW to 400 kW - 400 Hz 3 phase power sources - ex stock EPOA
- IBM 8230 Type 1, Token ring base unit driver £760
- Wayne Kerr RA200 Audio frequency response analyser £2500
- IBM 53F5501 Token Ring ICS 20 port lobe modules £750
- IBM MAU Token ring distribution panel 8228-23-5050N £95
- AIM 501 Low distortion Oscillator 9Hz to 330kHz, IEEE £550
- ALLGON 8360.11805-1880 MHz hybrid power combiners £250
- Trend DSA 274 Data Analyser with G703(2M) 64 Vo EPOA
- Marconi 6310 Programmable 2 to 22 GHz sweep generator £6500
- Marconi 2022C 10KHz-1GHz RF signal generator £1550
- Marconi 2030 opt 03 10KHz-1.3 GHz signal generator, New £4995
- HP1650B Logic Analyser £3750
- HP3781A Pattern generator & HP3782A Error Detector EPOA
- HP6821A Dual Programmable GPIB PSU 0-7 V 160 watts £1800
- HP6264 Rack mount variable 0-20V @ 20A metered PSU £675
- HP54121A DC to 22 GHz four channel test set EPOA
- HP8130A opt 020 300 MHz pulse generator, GPIB etc £7900
- HP A1, A0 8 pen HPGL high speed drum plotters - from HP DRAFTERMASTER 1 8 pen high speed plotters £550
- EG+G Brookdeal 95035C Precision lock in amp £750
- View Eng. Mod 1200 computerised inspection system EPOA
- Sony DXC-3000A High quality CCD colour TV camera £995
- Keithley 590 CV capacitor / voltage analyser EPOA
- Racal ICR40 dual 40 channel voice recorder system £3750
- Fiskers 45KVA 3 ph On Line UPS - New batteries £9500
- Emerson AP130 2.5KVA industrial spec UPS £2100
- Mann Tally MT645 High speed line printer £2200
- Intel SBC 486/133SE Multibus 486 system 8Mb Ram £945
- Siemens K4400 64Kb to 140Mb demux system £850

IC's - TRANSISTORS - DIODES

OBSELETE - SHORT SUPPLY - BULK
10,000,000 items EX STOCK
For MAJOR SAVINGS
CALL OR SEE OUR WEB SITE www.distel.co.uk

VIDEO MONITOR SPECIALS

One of the highest specification monitors you will ever see -
At this price - Don't miss it!!

Mitsubishi FA3415ETKL 14" SVGA Multisync colour monitor with fine 0.28 dot pitch tube and resolution of 1024 x 768. A variety of inputs allows connection to a host of computers including IBM PCs in CGA, EGA, VGA & SVGA modes, BBC, COMMODORE (including Amiga 1200), ARCHIMEDES and APPLE. Many features: Etched facelplate, test switching and LOW RADIATION MPPR specification. Fully guaranteed, in EXCELLENT title

used condition. Tilt & Swivel Base £4.75
VGA cable for IBM PC included.
External cables for other types of computers available - CALL

Only £119 (E) Order as MITS-SVGA

Ex demo 17" 0.28 SVGA Mitsubishi Diamond Pro monitors, Full multisync etc.
Full 90 day guarantee. Only £199.00 (E)

Just in - Microvitec 20" VGA (800 x 600 res.) colour monitors. Good SH condition - from £299 - CALL for Info

PHILIPS HCS35 (same style as CM8833) attractively styled 14" colour monitor with both RGB and standard composite 15.625 KHz video inputs via SCART socket and separate phono jacks. Integral audio power amp and speaker for all audio visual uses. Will connect direct to Amiga and Atari BBC computers. Ideal for all video monitoring / security applications with direct connection to most colour cameras. High quality with many features such as front concealed flap controls, VCR correction button etc. Good used condition - fully tested - guaranteed
Dimensions: W14" x H12 3/4" x 15 1/2" D.
Only £99.00 (E)

PHILIPS HCS31 Ultra compact 9" colour video monitor with standard composite 15.625 KHz video input via SCART socket. Ideal for all monitoring / security applications. High quality, ex-equipment fully tested & guaranteed (possible minor screen bums). In attractive square black plastic case measuring W10" x H10" x 13 1/2" D. 240 V AC mains powered.
Only £79.00 (D)

KME 10" 15M10009 high definition colour monitors with 0.28" dot pitch. Superb clarity and modern styling. Operates from any 15.625 khz sync RGB video source, with RGB analog and composite sync such as Atari, Commodore Amiga, Acorn Archimedes & BBC. Measures only 13 1/2" x 12" x 11". Good used condition.
Only £125 (E)

20" 22" and 26" AV SPECIALS

Superbly made UK manufacture. PIL all solid state colour monitors, complete with composite video & optional sound input. Attractive teak style case. Perfect for Schools, Shops, Disco, Clubs, etc. In EXCELLENT little used condition with full 90 day guarantee.

20"....£135 22"....£155 26"....£185 (F)

We probably have the largest range of video monitors in Europe, All sizes and types from 4" to 42" call for info.

DC POWER SUPPLIES

Virtually every type of power supply you can imagine. Over 10,000 Power Supplies Ex Stock
Call or see our web site.

19" RACK CABINETS

Superb quality 6 foot 40U
Virtually New, Ultra Smart
Less than Half Price!



Top quality 19" rack cabinets made in UK by Optima Enclosures Ltd. Units feature designer, smoked acrylic lockable front door, full height lockable full louvered back door and louvered removable side panels. Fully adjustable internal fixing struts, ready punched for any configuration of equipment mounting, plus ready mounted integral 12 way 13 amp socket switched mains distribution strip make these racks some of the most versatile we have ever sold. Racks may be stacked side by side and therefore require only two side panels to stand singly or in multiple bays. Overall dimensions are: 77 1/2" H x 32 1/2" D x 22" W. Order as:
OPT Rack 1 Complete with removable side panels. £345.00 (G)
OPT Rack 2 Rack, Less side panels £245.00 (G)

Over 1000 racks, shelves, accessories
19" 22" & 24" wide 3 to 46 U high.
Available from stock !!

32U - High Quality - All steel RakCab

Made by Eurocraft Enclosures Ltd to the highest possible spec, rack features all steel construction with removable side, front and back doors. Front and back doors are hinged for easy access and all are lockable with five secure 5 lever barrel locks. The front door is constructed of double walled steel with a 'designer style' smoked acrylic front panel to enable status indicators to be seen through the panel, yet remain unobtrusive. Internally the rack features fully slotted reinforced vertical fixing members to take the heaviest of 19" rack equipment. The two movable vertical fixing struts (extras available) are pre punched for standard 'cage nuts'. A mains distribution panel internally mounted to the bottom rear, provides 8 x IEC 3 pin Euro sockets and 1 x 13 amp 3 pin switched utility socket. Overall ventilation is provided by fully louvered back door and double skinned top section with top and side louvers. The top panel may be removed for fitting of integral fans to the sub plate etc. Other features include: fitted castors and floor levelers, pruned utility panel at lower rear for cable / connector access etc. Supplied in excellent, slightly used condition with keys. Colour Royal blue. External dimensions mm=1625H x 635D x 603 W. (64" H x 25" D x 23 3/4" W)



Sold at LESS than a third of makers price !!

A superb buy at only £245.00 (G)
42U version of the above only £345 - CALL

12V BATTERY SCOOP - 60% off !!

A special bulk purchase from a cancelled export order brings you the most amazing savings on these ultra high spec 12V DC 14 Ah rechargeable batteries. Made by Hawker Energy Ltd, type SBS15 featuring pure lead plates which offer a far superior shelf & guaranteed 15 year service life. Fully BT & BS6290 approved. Supplied BRAND NEW and boxed. Dimensions 200 wide, 137 high, 77 deep. M6 bolt terminals. Fully guaranteed. Current makers price over £70 each
Our Price £35 each (C) or 4 for £99 (E)

RELAYS - 200,000 FROM STOCK

Save ££££'s by choosing your next relay from our Massive Stocks covering types such as Military, Octal, Cradle, Hermetically Sealed, Continental, Contactors, Time Delay, Reed, Mercury Wetted, Solid State, Printed Circuit Mounting etc. CALL or see our web site www.distel.co.uk for more information. Many obsolete types from stock. Save ££££'s

COLOUR CCD CAMERAS

Undoubtedly a miracle of modern technology & our special buying power! A quality product featuring a fully cased COLOUR CCD camera at a give away price! Unit features full auto light sensing for use in low light & high light applications. A 10 mm fixed focus wide angle lens gives excellent focus and resolution from close up to long range. The composite video output will connect to any composite monitor or TV (via SCART socket) and most video recorders. Unit runs from 12V DC so ideal for security & portable applications where mains power not available. Supplied BRAND NEW & fully guaranteed with user data, 100's of applications including Security, Home Video, Web TV, Web Cams etc, etc.



Overall dimensions 66 mm wide x 117 deep x 43 high. Supplied BRAND NEW & fully guaranteed with user data, 100's of applications including Security, Home Video, Web TV, Web Cams etc, etc.

Web ref = LK33 ONLY £99.00 or 2 for £180.00 (B)

SOFTWARE SPECIALS

NT4 WorkStation, complete with service pack 3 and licence - OEM packaged. ONLY £89.00 (F)
ENCARTA 95 - CDROM. Not the latest - but at this price! £7.95
DOS 5.0 on 3 1/2" disks with concise books c/w QBasic. £14.95
Windows for Workgroups 3.11 + Dos 6.22 on 3.5" disks £55.00
Wordperfect 6 for DOS supplied on 3 1/2" disks with manual £24.95
shipping charges for software is code B

DISTEL on the web !! - Over 16,000,000 items from stock - www.distel.co.uk

DEFINITION
-ELECTRONICS-

ALL MAIL TO
Dept PE, 29/35 Osborne Rd
Thornton Heath
Surrey CR7 8PD
Open Mon - Fri 9.00 - 5:30

LONDON SHOP
Open Mon - Sat 9:00 - 5:30
215 Whitehorse Lane
South Norwood
On 58A Bus Route
N Thornton Heath &
Selhurst Park SR Rail Stations

NEW DISTEL@
Visit our web site
www.distel.co.uk
email = admin@distel.co.uk

ALL ENQUIRIES
0208 653 3333
FAX 0208 653 8888

All prices for UK Mainland. UK customers add 17.5% VAT to TOTAL order amount. Minimum order £10. Bona Fide account orders accepted from Government, Schools, Universities and Local Authorities - minimum account order £50. Cheques over £100 are subject to 10 working days clearance. Carriage charges (A)=£3.00, (A1)=£4.00, (B)=£5.50, (C)=£3.50, (C1)=£12.50, (D)=£15.00, (E)=£18.00, (F)=£20.00, (G)=CALL. Allow approx 6 days for shipping - faster CALL. All goods supplied to our Standard Conditions of Sale and unless stated guaranteed for 90 days. All guarantees on a return to base basis. All rights reserved to change prices / specifications without prior notice. Orders subject to stock. Discounts for volume. Top CASH prices paid for surplus goods. All trademarks, tradenames etc acknowledged © Display Electronics 1999. E & O.E. 07/99.

NEXT MONTH

PICGEN FREQUENCY GENERATOR AND COUNTER

Combining the sophisticated features of a Maxim MAX038 waveform generator and a PIC16F877 microcontroller, has resulted in a highly versatile and inexpensive workshop tool, whose facilities have hitherto been unattainable without considerable design complexity.

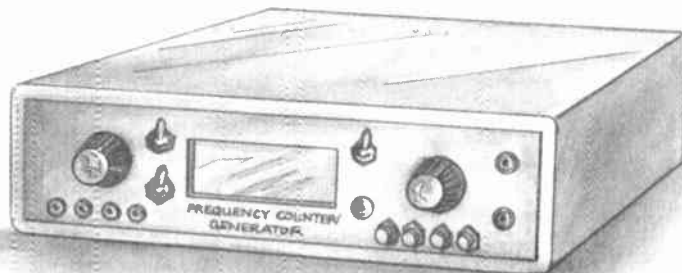
The MAX038 is a high-frequency precision function generator whose output is selectable to produce triangle, sine and square waveforms, within a wide operating frequency span of 0.1Hz to over 10MHz, split into eight overlapping ranges. Range and waveform selection are performed by the PIC16F877 in response to pushbutton switch controls. Frequency is fully variable within the selected range by means of a control potentiometer.

An alphanumeric liquid crystal module displays the frequency and range information.

Four frequency outputs are provided:

- Direct output at $\pm 1V$ peak-to-peak
- A.C. coupled output, fully variable between zero and 4V peak-to-peak
- Pulse output, 0V to 5V logic level
- 3.2768MHz fixed frequency, 0V to 5V logic level

The PIC is also used as a frequency counter, switch selectable to monitor the frequency generated by the MAX038, or from an external source in conjunction with a pre-conditioning waveform shaper and frequency divider. Two external signal inputs are provided: one for 0V to 5V logic level waveforms, the other for a.c. waveforms having a peak-to-peak swing of between about 2.5V to 5V. The prototype can monitor frequencies in excess of 40MHz.



STARTER PROJECT

An easy to build, inexpensive Camera Shutter Timer. It is not essential to use a complex digital timer to test camera shutters, and a very basic analogue timer circuit is capable of providing accurate measurements in this application. The simple design featured here has four measuring ranges having full-scale values of 5ms, 50ms, 500ms, and 5 seconds. It can therefore be used to measure the full range of speeds covered by most cameras.



g-METER

This portable accelerometer will tell you the g-force you experience when you corner or brake hard in your car, when you ride in a lift or at the fairground. It is based on a tiny polysilicon micromachined sensor etched onto an integrated circuit. The earth's gravity is used as a reference standard.

As described, this is an experimental project designed as a simple introduction to the world of acceleration. The g-Meter output is in the form of a 10-segment bargraph type display, but for more accurate measurement or signal processing an output socket is provided. A fascinating project using just two i.c.s.

PLUS: ALL THE REGULAR FEATURES

NO ONE DOES IT BETTER

EVERYDAY
PRACTICAL
ELECTRONICS
INCORPORATING ELECTRONICS TODAY INTERNATIONAL

**DON'T MISS AN
ISSUE - PLACE YOUR
ORDER NOW!**

Demand is bound to be high

JULY ISSUE ON SALE FRIDAY, JUNE 2

KITMASTER EDUCATIONAL KITS

RADIO CLUBS - NOVICES - COLLEGES - SCHOOLS

FOR FURTHER INFORMATION ON KITS & ORDERS
PHONE OUR HELPLINE (01208) 523123
OR CALL DAVE M1CY3 (07941) 252679

ALL KITS BUILT ON TRIPAD PCB BUILD AS YOU SEE SYSTEM		FULL KIT & INSTRUCTIONS	PERFECT FOR NOVICE FIRST TIME BUILDERS IN ELECTRONICS		
X1	2-IC MK484 M.W. RADIO	£10.00	B41	TRANSMITTER R.F. INDICATOR	£4.80
X3	1-IC + TRAM M.W. RADIO	£10.00	B43	AUDIO NOISE GENERATOR	£10.00
X5	MK484 + 2030 M-W> RADIO	£18.00	B45	GENERAL 3-TRANSISTOR AMP	£5.50
X7	MK484 TUNER M.W. NO AMP	£6.00	B46	LM386 AMPLIFIER GENERAL	£5.50
B2	BASIC CRYSTAL SET AMPLIFIED	£10.00	B48	COMMON PRE-AMP RADIO	£5.50
B4	WORKSHOP AMPLIFIER	£10.00	B49	PEST SCARER HIGH PITCH	£12.00
X11	S. METER	£10.50	B50	VARIABLE FREQ. OSCILLATOR	£5.50
B44	SIMPLE H.F. M.W. ATU	£7.50	B51	AUTOMATIC NIGHT LIGHT	£5.50
B8	S.W. TUNER GENERAL	£10.00	B52	FROST ALARM	£5.80
C1	BASIC CRYSTAL SET M.W.	£6.50	B53	PRESSURE MAT & ALARM	£13.50
B61	MW SIGNAL BOOSTER	£12.50	B54	GUITAR TUNER	£9.50
B9	FAKE CAR ALARM FLASHER	£5.00	B55	TOUCH ALARM	£5.80
B10	2 L.E.D. FLASHER	£4.80	B56	SIMPLE LIGHT METER	£13.50
B11	LOW VOLTS L.E.D. ALARM 9V-12V	£5.00	B57	L.E.D. CONTINUITY METER	£4.50
B12	LIE DETECTOR WITH METER	£10.00	B58	SOUND-OPERATED SWITCH	£6.50
B13	TOY ORGAN	£6.50	B58A	8 FLASHING L.E.D.s	£6.80
B14	METRONOME I.C. CONTROL	£5.00	B59	TBA 820M AUDIO AMP	£10.50
B15	TOUCH SWITCH	£5.00	B60	TDA 2030 AUDIO AMP	£9.50
B16	HEADS OR TAILS GAME	£5.00	B82	ELECTRONIC DICE GAME	£8.50
B17	SIREN	£4.80	B63	ADVANCED THERAMIN-MUSIC	£10.50
B18	RAIN DETECTOR	£4.80	B64	TOUCH DELAY LAMP	£5.50
B19	CONTINUITY TESTER	£4.50	B65	FISHERMAN'S ROD BITE ALARM	£5.00
B20	MORSE CODE OSCILLATOR	£4.80	B66	BEAM BREAK DETECTOR ALARM	£8.00
B21	BURGLAR ALARM L.E.D. & SPEAKER	£5.00	B67	LATCHING BURGLAR ALARM	£7.50
B22	LOOP SECURITY ALARM	£5.00	B68	LIGHT-OPERATED RELAY	£7.50
B23	VIBRATION ALARM	£4.80	B69	MICROPHONE PRE-AMP	£7.50
B24	METAL DETECTOR + METER	£14.00	B70	MAGNETIC ALARM - MODELS	£7.50
B25	HAND TREMOR GAME	£4.80	B72	BATH OR WATER BUTT ALARM	£6.80
B26	RAIN SYNTHESIZER - NOISE	£10.50	B73	0-18 VOLT POWER SUPPLY UNIT	£6.80
B27	AUTO LIGHT DARK INDICATOR	£4.80	B74	F.M. BUG POWER SUPPLY 0V-9V	£6.50
B28	ADJ. LOW LIGHT INDICATOR	£4.80	B75	1 TRANSISTOR F.M. BUG	£6.50
B29	DARK ACTIVATED L.E.D. FLASHER	£4.80	B76	2 TRANSISTOR F.M. BUG	£7.50
B30	LIGHT ACTIVATED TONE ALARM	£4.80	B77	CHIRP GENERATOR	£6.80
B331	CAR ELECTRIC PROBE	£4.50	B78	TONE BURST GENERATOR	£6.80
B32	SIGNAL INJECTOR	£4.50	B79	SOUND EFFECTS GENERATOR	£10.50
B33	MOISTURE METER - L.E.D.	£4.80	B80	LIGHT METER - PHOTOGRAPHY	£10.50
B34	L.E.D. TRANSISTOR TESTER NPN	£4.50	B81	LIGHT OSCILLATOR - PHOTOGRAPHY	£9.50
B35	DIODE TESTER - L.E.D.	£4.50	B82	LIGHT-ACTIVATED RELAY	£9.50
B36	L.E.D. TRANSISTOR TESTER PNP	£4.50	B63	DARK-ACTIVATED RELAY	£9.50
B37	IC 555 TESTER - L.E.D.	£5.50	B84	SOUND SIREN + LOUD AMPLIFIER	£11.50
B38	0-18 MIN. TIMER L.E.D. & SPEAKER	£5.50	X12	AUDIO PROBE	£10.50
B39	TOY THERAMIN MUSIC	£6.80	X14	CHILD SPEAK LAMP	£6.50
B40	AMPLIFIED R.F. PROBE + METER	£10.50	Z1	SW GEN RECEIVER	£13.50

SOLID STATE KITS P&P £3 UK
WORDWIDE P&P £10.
PAYMENT CHEQUES STERLING

★ SEND FOR FREE
CATALOGUE ★
READY BUILT KITS £5 EXTRA

KITMASTER RADIO VALVE KITS

- K1 - VALVE RADIO POWER SUPPLY UNIT**
IDEAL PSU FOR MOST OF OUR VALVE KITS £20.00
- K2 - VALVE RADIO POWER SUPPLY UNIT**
SIMILAR TO K1 BUT OFFERS HIGHER VOLTAGE OUTPUT
ON H.T. SIDE £22.00
- K3 - TWO VALVER REGEN RADIO**
WORKS ON MW OR SW INTERCHANGEABLE COILS.
KIT COMES WITH SPEAKER. GOOD VOLUME £25.00
- K4 - ONE VALVE AMPLIFIER**
USES THE EL84 VALVE STILL MADE TODAY. IDEAL SHACK
AMPLIFIER. GOOD STARTER KIT £12.00
- K5 - BATTERY ONE VALVER NOVICE KIT**
RUNS ON 36 VOLTS. IDEAL EXPERIMENTAL VALVE
PROJECT. ALSO SOLID STATE UNIT INCORPORATED TO
GIVE SPEAKER VOLUME £15.00
- K6 - ONE VALVE REGEN RADIO**
COMES WITH CRYSTAL EARPIECE. MW/SW £15.00
- K7 - TWO VALVE AMPLIFIER**
GOOD VOLUME £17.50
- K8 - CRYSTAL SET ONE VALVER**
EXPERIMENTAL VALVE + SOLID STATE
WITH SPEAKER £18.00
- K9 - ONE VALVE MW RADIO, NOT REGEN**
SOLID STATE INCORPORATED. GOOD VOLUME WITH
SPEAKER SUPPLIED. WORKS VERY WELL £22.50

★ ALL RADIO CHASSIS PRE-DRILLED AND VALVE
BASES FITTED READY FOR QUICK ASSEMBLY ★

VALVE KITS P&P £6 UK
WORDWIDE P&P £12
PAYMENT - CHEQUES
STERLING

MAIL ORDER ONLY
PLEASE ALLOW UP TO
28 DAYS FOR DELIVERY

MAKE POSTAL ORDERS/CHEQUES PAYABLE TO DAVID JOHNS AND SEND TO:
37 GOSBECKS ROAD, COLCHESTER, ESSEX CO2 9JR
TEL. 07941 252679 FAX 01206 369226. <http://www.davidjohns.f9.co.uk>

SQUIRES MODEL & CRAFT TOOLS

Fluorescent Bench Magnifier.

- With 22W circular daylight simulation tube.
- 5" dia. glass lens, x1.75 magnification.
- Spring balanced arms for universal positioning.
- Multi-angle table clamp.
- Robust metal construction.

Code LA100 - Price £49.95 Post Free to UK addresses.



Post, Telephone or Fax your orders to:-
Squires, 100 London Road, Bognor Regis,
West Sussex, PO21 1DD

Tel 01243 842424
Fax 01243 842525
Shop Now Open



DISTANCE LEARNING COURSES in:

Analogue and Digital Electronics, Fibre Optics,
Fault Diagnosis, Mechanics, Mathematics and
Programmable Logic Controllers leading to a

BTEC PROFESSIONAL DEVELOPMENT CERTIFICATE

- Suitable for beginners and those wishing to update their knowledge and practical skills
- Courses are very practical and delivered as self contained kits
- No travelling or college attendance
- Learning is at your own pace
- Each course can stand alone or be part of a modular study programme
- Tutor supported and BTEC certified

For information contact:
NCT Ltd., P.O. Box 11
Wendover, Bucks HP22 6XA
Telephone 01296 624270; Fax 01296 625299
Web: <http://www.nct.ltd.uk>

SURVEILLANCE

Electronic Surveillance Equipment Kits from the UK's No.1 Supplier

SUMA DESIGNS has been supplying professional quality electronic surveillance equipment kits for over 20 years. Whether your requirement is hobbyist, amateur or professional you can be sure that you are buying from a company that knows the business. We ONLY sell surveillance products, no alarms, disco lights or computer bits. All of our kits are designed for self assembly and are well tried, tested and proven. All kits are supplied complete with top grade components, fibreglass PCB, full instructions, circuit diagrams and assembly details. Unless otherwise stated all transmitter kits are tuneable and can be received using an ordinary VHF FM radio.

UTX Ultra-miniature Room Transmitter

At less than 1/2 the size of a postage stamp the UTX is the smallest room transmitter kit in the world! Incredible 10mm x 20mm including microphone, 3-12V operation. Range up to 500m. **£13.95**

MTX Micro-miniature Room Transmitter

Our best selling room transmitter kit. Just 17mm x 17mm including mic. Extremely sensitive. 3-12V operation. Range up to 1000m. **£14.95**

STX High-performance Room Transmitter

High performance transmitter with buffered output for greater stability and range. Measures just 22mm x 22mm including mic. 6-12V operation. Range up to 1500m. **£16.95**

VT500 High-power Room Transmitter

Our most powerful room transmitter with around 250mW of output power. Excellent range and penetration. Size 20mm x 40mm, 6-12V operation. Range up to 3000m. **£17.95**

VXT Voice-activated Room Transmitter

Triggers only when sounds are detected by on-board mic. Variable trigger sensitivity and on-time with LED trigger indicator. Very low standby current. Size 20mm x 67mm, 9V operation, range up to 1000m. **£21.95**

HVX400 Mains Powered Room Transmitter

Connects directly to 240V AC supply. Ideal for long-term monitoring. Size 30mm x 35mm, range up to 500m. **£21.95**

SCRX Subcarrier Scrambled Room Transmitter

To increase the security of the transmission the audio is subcarrier modulated. Receiver now requires the decoder module (SCDM) connected to allow monitoring. Size 20mm x 67mm, 9V operation, up to 1000m range. **£24.95**

SCDM Subcarrier Decoder for SCRFX

Connects to earphone socket on receiver and provides decoded audio output to headphones. Size 32mm x 70mm, 9-12V operation. **£27.95**

UTLX Ultra-miniature Telephone Transmitter

Smallest kit available. Connects onto telephone line, switches on and off automatically as phone is used. All conversations transmitted. Size 10mm x 20mm, powered from line, up to 500m range. **£13.95**

TILX700 Micro-miniature Telephone Transmitter

Best selling kit. Performance as UTLX but easier to assemble as PCB is 20mm x 20mm. **£14.95**

STLX High-performance Telephone Transmitter

High-performance transmitter with buffered output for greater stability and range. Connects onto telephone line and switches on and off automatically as phone is used. Both sides of conversation transmitted up to 1000m. Powered from line. Size 22mm x 22mm. **£16.95**

PTS7 Automatic Telephone Recording Interface

Connects between telephone line (anywhere) and normal cassette recorder. Automatically switches recorder on and off as phone is used. Both sides of any conversation recorded. 9V operation, size 20mm x 67mm. **£21.95**

CD400 Pocket Size Bug Detector/Locator

LED and piezo bleeper pulse slowly. Pulse rate and tone pitch increase as signal source is approached. Variable sensitivity allows pinpointing of signal source. 9V operation, size 45mm x 54mm. **£34.95**

CD600 Professional Bug Detector/Locator

Multicolour bargraph LED readout of signal strength with variable rate bleeper and variable sensitivity allows pinpointing of any signal source. When found, unit is switched into AUDIO CONFIRM mode to distinguish between bugging devices and legitimate signals such as pagers, cellphones etc. Size 70mm x 100mm. 9V operation. **£59.95**

QTX180 Crystal Controlled Room Transmitter

Narrow band FM crystal transmitter for ultimate in privacy. Output frequency 173.225 MHz. Designed for use with ORX180 receiver unit. Size 20mm x 67mm, 9V operation, range up to 1000m. **£44.95**

OLX180 Crystal Controlled Telephone Transmitter

Specifications as per QTX180 but connects onto telephone line to allow monitoring of both sides of conversations. **£44.95**

QSX180 Line Powered Crystal Telephone Transmitter

Connects onto telephone line, switches on and off as phone is used. Power is drawn from line. Output frequency 173.225 MHz. Designed for use with QRX180 receiver. Size 32mm x 37mm. Range up to 500m. **£39.95**

QRX180 Crystal Controlled FM Receiver

Specifically designed for use with any of the SUMA 'O' range kits. High sensitivity design. Complex RF front end section supplied as pre-built and aligned sub-assembly so no difficult setting up. Headphone output. PCB size 60mm x 75mm. 9V operation. **£69.95**

TKX900 Signalling/Tracking Transmitter

Transmits a continuous stream of audio bleeps. Variable pitch and bleep rate. Ideal for signalling, alarm or basic tracking uses. High power output. Size 25mm x 63mm, 9-12V operation, up to 2000m range. **£23.95**

NBX-1 Hi-Fi Micro Broadcaster

Connects to headphone socket of CD player, Walkman or Hi-Fi and broadcasts your favourite music around house and garden up to 250m. Size 27mm x 60mm, 9V operation. **£22.95**

DLTX/RX Radio Remote Switch System

Two kits, transmitter sends a coded signal (256 selectable codes) when button pressed. Receiver detects signal, checks code and activates relay. Can be set to be momentary or toggle (on/off) operation. Range up to 100m, 9V operation on both units. TX 45mm x 45mm, RX 35mm x 90mm. **£44.95**

TO ORDER:

Post, fax or telephone your order direct to our sales office. Payment can be Credit card (Visa or Mastercard), Postal Order, cash (please send registered) or cheques. Kits despatched same day (cheques need clearing). All orders sent by recorded or registered post. Please add postage as follows:

ORDER UP TO £30.00: To UK £2.50 To EUROPE £5.50 All other £7.50

ORDERS OVER £30.00: To UK £3.65 To EUROPE £7.50 All others call

Overseas customers please use credit cards or send sterling cheque or bank draft.



SEND 2 x 1st CLASS STAMPS FOR OUR 2000 KIT CATALOGUE CONTAINING FULL DETAILS OF THESE AND OTHER KITS.

A BUILD-UP SERVICE IS AVAILABLE ON ALL OF OUR KITS, DETAILS IN CATALOGUE. VISIT OUR WEBSITE: www.suma-designs.co.uk
Please note: Some of our part numbers are being unscrupulously used by other companies selling kits eg. MTX, VXT. DO NOT BE MISLEAD! These are NOT GENUINE SUMA KITS which are only available direct from us or our appointed distributors.

If you wish to collect kits direct from our office
PLEASE TELEPHONE

SUMA DESIGNS

Dept. EE, The Workshops, 95 Main Road,
Baxterley, Warwickshire, CV9 2LE, U.K.
Website: www.suma-designs.co.uk

TEL/FAX: 01827 714476
(24 HOUR ORDERLINE)
email: sales@suma-designs.co.uk



**8 CAVANS WAY,
BINLEY INDUSTRIAL
ESTATE.
COVENTRY CV3 2SF
Tel: 01203 650702
Fax: 01203 650773
Mobile: 0860 400683**

(Premises situated close to Eastern-by-pass in Coventry with easy access to M1, M6, M40, M42, M45 and M69)

OSCILLOSCOPES

Beckman 9020 - 20MHz - Dual Channel	£150
Gould OS 245A/250/255/300/3000/3351/4000	from £125
Hewlett Packard 180A/180C/181A/182C	from £150
Hewlett Packard 1740A, 1741A, 1744A, 100MHz Dual Channel	from £300
Hewlett Packard 54100D - 1GHz Digitizing	£1250
Hewlett Packard 54200A - 50MHz Digitizing	£1250
Hewlett Packard 54201A - 300MHz Digitizing	£1250
Hewlett Packard 54512B - 300MHz - 1 GS/s - 4-Channel	£2250
Hewlett Packard 54501A - 100MHz - 100 Ms/s - 4-Channel	£1250
Hitachi V152FV302B/V302FV353FV550B/V650F	from £105
Hitachi V650F - 60MHz Dual Channel	£200
Hitachi V1100A - 100MHz 4-Channel	£300
Intron 2020 - 20MHz Digital Storage (NEW)	£450
iwatsu S5571/0555702 - 20MHz	from £125
Meguro - MSO 1270A - 20MHz Digital Storage (NEW)	£450
Lecroy 9304 AM - 200MHz - 100 Ms/s - 4-Channel	£3000
Lecroy 9450A - 300MHz/400 Ms/s D.S.O. 2-Channel	£2250
Philips PM 3055 - 50MHz Dual Timebase	£450
Philips PM 3211/PM 3212/PM 3214/PM 3217/PM 3234/PM 3240/PM 3243/PM 3244/PM 3261/PM 3262/PM 3263/PM 3540	from £125
Philips PM 3295A - 400MHz Dual Channel	£1600
Philips PM 3335 - 50MHz/20 Ms/s D.S.O. 2-Channel	£950
Tektronix 455 - 50MHz Dual Channel	£200
Tektronix 464/466 - 100MHz Analogue Storage	from £300
Tektronix 465/465B - 100MHz Dual Channel	£250
Tektronix 468 - 100MHz D.S.O.	£500
Tektronix TAS 475 - 100MHz - 4-Channel	£995
Tektronix 475/475A - 200MHz/250MHz Dual Channel	from £400
Tektronix 485 - 350MHz - 2-Channel	£750
Tektronix 2211 - Digital Storage - 50MHz	£900
Tektronix 2213 - 80MHz Dual Channel	£375
Tektronix 2215 - 60MHz Dual Channel	£350
Tektronix 2226 - 60MHz Dual Channel D.S.O.	£950
Tektronix 2221 - 60MHz Digital Storage 2-Channel	£950
Tektronix 2225 - 50MHz Dual Channel	£350
Tektronix 2235 - 100MHz Dual trace	£600
Tektronix 2335 - Dual Trace 100MHz (portable)	£500
Tektronix 2440 - 300MHz/500 Ms/s D.S.O. 2-Channel	£500
Tektronix 2445 - 150MHz - 4-Channel DMIM	£900
Tektronix 2445A - 100MHz - 4-Channel	£900
Tektronix 2476B - 400MHz - 4-Channel	£6500
Tektronix 5403 - 60MHz - 2 or 4-Channel	from £150
Tektronix 7313, 7603, 7623, 7633 - 100MHz 4-Channel	from £225
Tektronix 7704 - 250MHz 4-Channel	from £400
Tektronix 7904 - 500MHz	from £400
Trio CS-1022 - 20MHz - Dual Channel	£125

Other scopes available too

SPECIAL OFFER

HITACHI V212 - 20MHz DUAL TRACE	£160
HITACHI V222 - 20MHz DUAL TRACE + ALTERNATE MAGNIFY	£160

SPECTRUM ANALYSERS

Ando AC8211 - Spectrum Analyser 1.7GHz	£1995
Anritsu MS82B - 10kHz-1700MHz	£1995
Anritsu MS3401A + MS3401B - (10Hz-30MHz)	£3500 + £3995
Anritsu MS810B - 10kHz-2GHz - (Mint)	£4500
Anritsu MS710F - 10kHz-2GHz Spectrum Analyser	£5500
Avcom PA855 - 100MHz - portable	£850
Hameg 802B/803B - Spectrum Analyser/Tracking Gen + 100MHz Oscilloscope	£1000
Hewlett Packard 182R with 8559A (10MHz-21GHz)	£2750
Hewlett Packard 182T + 8558B - 0.1 to 1500MHz	£1250
Hewlett Packard 853A + 8558B - 0.1 to 1500MHz	£2250
Hewlett Packard 3582A Dual Channel Dynamic Sig. Analyser	£5750
Hewlett Packard 3580A - 5Hz-50kHz	£800
Hewlett Packard 3582A - 0.02Hz-25.9kHz (Dual Channel)	£4000
Hewlett Packard 3586A - 20Hz-40MHz	£4250
Hewlett Packard 8569B - (0.01 to 22GHz)	£2500
Hewlett Packard 85045A - 'S' Parameter Test Set	from £3000
Hewlett Packard 8753A - Network Analyser	from £4500
Hewlett Packard 8733B - Network Analyser	£2000
IFR 7750 - 10kHz-1GHz	£750
Meguro MSA 4901 - 1-300GHz (AS NEW)	£1000
Meguro MSA 4912 - 1-1GHz (AS NEW)	£1000
Rohde & Schwarz - SWOB 5 Polykop 0.1-1300MHz	£1500
Takada Rilken 4132 - 1.0GHz Spectrum Analyser	£2100
Tektronix 7L16 with mainframe 1.5-80GHz with external mixers	£2000
Tektronix 496P - 100Hz-1.8GHz programmable	£4500
Tektronix 496P - 1kHz-1.8GHz Spectrum Analyser	£4250

MISCELLANEOUS

Adret 740A - 100kHz-1120MHz Synthesised Signal Generator	£800
Anritsu MG 3601A Signal Generator 0.1-1040MHz	£1250
Anritsu ME 462B DF/3 Transmission Analyser	£2500
Anritsu MG 645B Signal Generator 0.05-1050MHz	£750
Boonton 92C R/F Millivoltmeter	£195
Boonton 83A True RMS Voltmeter	£185
Dranzet 626 - AC/DC - Multifunction Analyser	£500
EIP 331 - Frequency Counter 18GHz	£450
EIP 545 - Frequency Counter 18GHz	£1250
EIP 575 - Frequency Counter 18GHz	£1450
Eltek SMPB - Power Supply 60V-30V	£350
Farnell TSV-70 MKII Power Supply (70V - 5A or 35V - 10A)	£200
Farnell DSG-1 Synthesised Signal Generator	£125
Farnell AP 30250A Power Supply 3V - 250A	£1750
Feedback PFG 605 Power Function Generator	£150
Fluka 5100A - Calibrator	£1950
GN ELIM EP201 PCM Signalling Recorder	£2000
Guilford 1152 - T12 Battery Standard Cell	£550
Hewlett Packard 1630D - Logic Analyser (43 Channels)	£500
Hewlett Packard 16500A/B and C - Fitted with 16510A/1651A/16530A/16531A - Logic Analyser	from £2000
Hewlett Packard 331A - Distortion Analyser	£300
Hewlett Packard 333A - Distortion Analyser	£300
Hewlett Packard 334A - Distortion Analyser	£300
Hewlett Packard 3325A - 21MHz Synthesiser/Function Generator	£900
Hewlett Packard 3336A - Synthesised Signal Generator (200Hz-61MHz)	£2750
Hewlett Packard 3336C - Synthesised Signal Generator (10Hz-21MHz)	£800
Hewlett Packard 3485A - 6 1/2 Digit Multimeter (Autocal)	£500
Hewlett Packard 3485A - Digital Voltmeter	£300
Hewlett Packard 3488A - HF - 1B Switch Control Unit (various Plug-ins available)	£550
Hewlett Packard 35800A - Dual Channel Dynamic Signal Analyser	£3750
Hewlett Packard 3586A - Selective Level Meter	£800
Hewlett Packard 3711A/3712A/3719B/3793B - Microwave Link Analyser	£1500
Hewlett Packard 3746A - Selective Measuring Set	£500
Hewlett Packard 3775A - 5M Terminal Test Set	£1000
Hewlett Packard 3779A/3779C - Primary Mux Analyser	from £400
Hewlett Packard 3784A - Digital Transmission Analyser	£5000

Hewlett Packard 3785A - Jitter Generator + Receiver	£1250
Hewlett Packard 3792A - Signalling Test Set (No. 7 and ISDN)	£4250
Hewlett Packard P382A - Variable Attenuator	£250
Hewlett Packard 4192A - LF Impedance Analyser	£6500
Hewlett Packard 4262A - Digital LCR Meter	£950
Hewlett Packard 4342A - 'Q' Meter	£600
Hewlett Packard 435A or B Power Meter (with 8481A/8484A)	from £400
Hewlett Packard 436A and 437B - Power Meter and Sensor	from £300
Hewlett Packard 4948A - (TMS) Transmission Impairment M/SeT	£1000
Hewlett Packard 4972A - Lan Protocol Analyser	£1250
Hewlett Packard 5183 - Waveform Recorder	£1250
Hewlett Packard 5238A - Frequency Counter 100MHz	£250
Hewlett Packard 5314A - (NEW) 100MHz Universal Counter	£250
Hewlett Packard 5318A - Universal Counter (IEEE)	£250
Hewlett Packard 5335A - 200MHz High Performance Synthesiser	£800
Hewlett Packard 5324A - Microwave Frequency Counter (500MHz-18GHz) Opts 1+3	£800
Hewlett Packard 5359A - High Resolution Time Synthesiser	£2950
Hewlett Packard 5370B - Universal Timer/Counter	£2000
Hewlett Packard 5384A - 225MHz Frequency Counter	£3800
Hewlett Packard 5385A - Frequency Counter - 1GHz - (HP1B) with OPTS 001/003/004/005	£750
Hewlett Packard 6033A - Power Supply Autoranging (20V - 30A)	£750
Hewlett Packard 6253A - Power Supply 20V - 3A 1win	£200
Hewlett Packard 6255A - Power Supply 40V - 1.5A Twin	£200

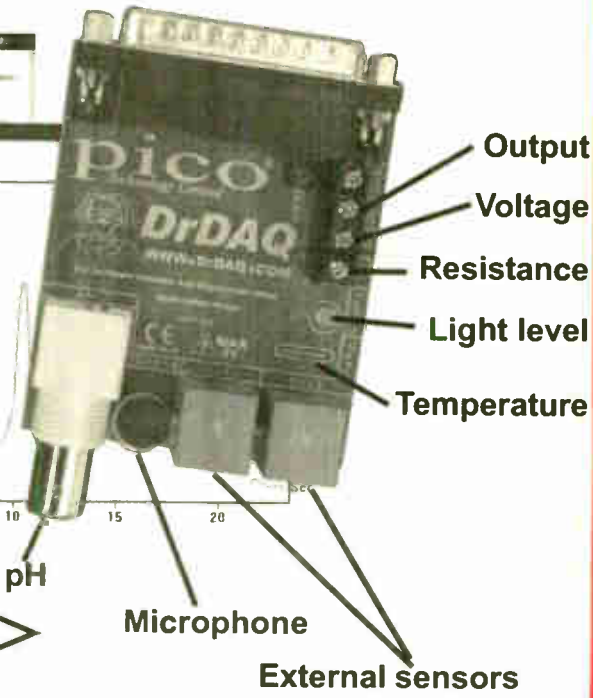
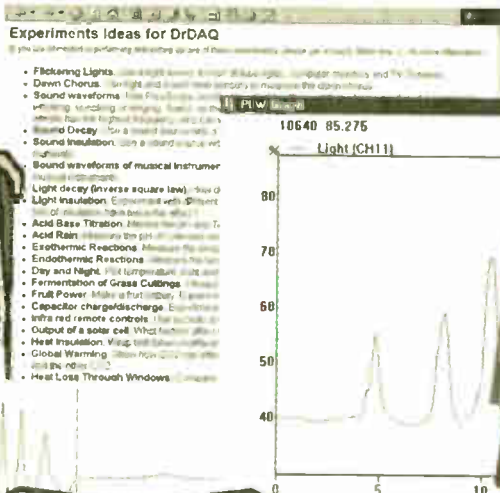
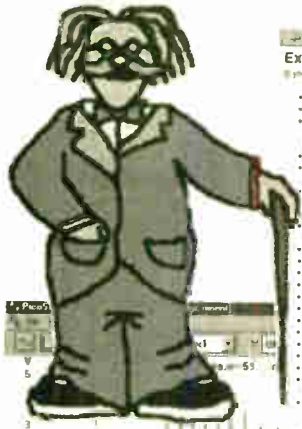
HEWLETT PACKARD 6261B

Power Supply 20V - 50A £350 Discount for Quantities

Hewlett Packard 6264B - Power Supply (0-20V, 0-25A)	£300
Hewlett Packard 6266B - Power Supply 40V - 5A	£220
Hewlett Packard 6271B - Power Supply 60V - 3A	£225
Hewlett Packard 6624A - Quad Power Supply	£2000
Hewlett Packard 6632A - Power Supply (20V - 5A)	£800
Hewlett Packard 6652A - 20V - 25A System P.S.U.	£750
Hewlett Packard 7475A - 6 Pen Plotter	£350
Hewlett Packard 7550A - 6 Pen Plotter	£250
Hewlett Packard 778D - Coax Dual Directional Coupler	£800
Hewlett Packard 8015A - 50MHz Pulse Generator	£500
Hewlett Packard 8165A - 50MHz Programmable Signal Source	£1250
Hewlett Packard 8180A - Data Generator	£1500
Hewlett Packard 8182A - Data Analyser	£1500
Hewlett Packard 8350B - Sweep Oscillator Mainframe (various plug-in options available)	£2500
Hewlett Packard 83554A - Wave Source Module 26.5 to 40GHz	£3500
Hewlett Packard 83555A - Millimeter - Wave Source Module 33-50GHz	£4250
Hewlett Packard 8405A - Vector Voltmeter	£350
Hewlett Packard 8620C - Sweep Oscillator Mainframe	from £250
Hewlett Packard 8640B - Signal Generator (512MHz - 1024MHz)	from £850
Hewlett Packard 8650B - Signal Generator (0.01 to 1050MHz) High Performance Synthesiser	£850
Hewlett Packard 8655A - Synthesised Signal Generator (900MHz)	£850
Hewlett Packard 8656B - Synthesised Signal Generator	£1450
Hewlett Packard 8657A - Signal Generator (100kHz-1040MHz)	£1900
Hewlett Packard 8660D - Synthesised Signal Generator (10kHz-2600MHz)	£3250
Hewlett Packard 8750A - Storage Normaliser	£295
Hewlett Packard 8755A - Scalar Network Analyser	£2250
Hewlett Packard 8757A - Scalar Network Analyser	£2250
Hewlett Packard 8901A - Modulation Analyser	£1000
Hewlett Packard 8901B - Modulation Analyser	£2000
Hewlett Packard 8903E - Distortion Analyser	£1600
Hewlett Packard 8903B - Distortion Analyser (Mint)	£1500
Hewlett Packard 8920A - R/F Comms Test Set	£1800
Hewlett Packard 8920B/G4 - R/F Comms Test Sets (G.S.M.)	from £8000
Hewlett Packard 8955A - Cellular Radio Interface	£1000
Keytek MZ-15/EC - Minizap 15KV Hand-Held ESD Simulator	£1750
Kroh-Hite 4024A - Oscillator	£995
Kroh-Hite 2200 - Lin/Log Sweep Generator	£250
Kroh-Hite 5200 - Sweep Function Generator	£250
Leader LDM-170 - Distortion Meter	£350
Leader 3218 - Signal Generator (100kHz-140kHz) AM/FM/CW with built-in FM stereo modulator (mint)	£995
Marconi 1068B - Demultiplexer and Frame Alignment Monitor (new)	£90A
Marconi 2019 - 80kHz-1040MHz Synthesised Signal Generator	£750
Marconi 2019A - 80kHz-1040MHz Synthesised Signal Generator	£1000
Marconi 2111 - UHF Synthesiser (new)	£90A
Marconi 2185 - 1.5GHz Programmable Attenuator (new)	£90A
Marconi 2305 - Modulation Meter	£1750
Marconi 2337A - Automatic Distortion Meter	£150
Marconi 2610 - True RMS Voltmeter	£700
Marconi 2671 - Data Comms Analyser	£2000
Marconi 2945 - R/F Comms Test Set	£3500
Marconi 6310 - Sweep Generator - Programmable - new (2-20GHz)	£3500
Marconi 8950/8960 - Power Meter & Sensor	from £500
Marconi 8960 - Power Meter & Sensor	from £950
Marconi 893 - A/F Power Meter	£250
Philips PM5187 MHz Function Generator	£300
Philips PM5188 MHz Synthesiser (G.P.R.)	£300
Philips 5518 - Synthesised Function Generator	£1500
Philips PM5519 - TV Pattern Generator	£350
Philips PM5716 - 50MHz Pulse Generator	£525
Prema 4000 - 6 1/2 Digit Multimeter (NEW)	£350
Quartzlock 2A - Oil-Air Frequency Standard	£700
Racal 1992 - 1.8GHz Frequency Counter	£700
Racal 6111/6151 - GSM Radio Comms Test Set	£90A
Racal Dana 9031/9082 - Synthesised Signal Generator 520MHz	from £400
Racal Dana 9084 - Synthesised Signal Generator 104MHz	£450
Racal 9301A - True RMS R/F Multivoltmeter	£300
Racal Dana 9302A - R/F Multivoltmeter (new version)	£350
Racal Dana 9303 - R/F Level Meter & Head	£375
Racal Dana 9917 - UHF Frequency Meter 560MHz	£175
Rohde & Schwarz LFM2 - 60MHz Group Delay Sweep Generator	£950
Rohde & Schwarz CMTA 94 - GSM Radio Comms Analyser	£895
Scharfner NSG 203A - Line Voltage Variation Simulator	£750
Scharfner NSG 222A - Interference Simulator	£700
Scharfner NSG 223 - Interference Generator	£700
Schlumberger 2720 - 1250MHz Frequency Counter	£400
Schlumberger 4031 - 1GHz Radio Comms Test Set	£495
Schlumberger Stablock 4040 - Radio Comms Test Set	£195
Schlumberger 7060/7065/7075 - Multimeters	from £380
Stanford Research DS 340 - 15MHz Synthesised Function (NEW) and Arbitrary Waveform Generator	£1200
Systron Donner 6030 - Microwave Frequency Counter (26-5GHz)	£1995
Tektronix AM503 + TM501 + P8302 - Current Probe Amplifier	£995
Tektronix PG506 - TG501 + SG503 + TM503 - Oscilloscope Calibrator	£1995
Tektronix 577 - Curve Tracer	£1150
Tektronix 1240 - Logic Analyser	£500
Tektronix 141A - PAL Test Signal Generator	£250
Tektronix AA5001 + TM5006 M/F - Programmable Distortion Analyser	£1995
Tektronix TM5003 + AFG 5101 - Arbitrary Function Generator	£1500
Tektronix - Plug-ins - many available such as SC504, SW503, SG502, PG506, FG504, FG503, TG501, TR503 + many more	EPOA
Time 9811 - Voltage Calibrator	£400
Valhalla Scientific - 2724 Programmable Resistance Standard	£550
Wandel & Gottmann PFJ-8 - Error/Litter Test Set	£11500
Wandel & Gottmann PCM4 (+ options)	£9950
Wandel & Gottmann MU30 - Test Point Scanner	£1300
Wayne Kerr 4225 - LCR Bridge	£300
Wavetek 171 - Synthesised Function Generator	£250
Wavetek 172B - Programmable Signal Source (0-1000Hz-13MHz)	EPOA
Wavetek 184 - Sweep Generator - 5MHz	£250
Wavetek 3010 - 1-1GHz Signal Generator	£1250
Wiltron 6409 - RF Analysers (1MHz-2GHz)	EPOA
Wiltron 6520S - Programmable Sweep Generator (3.8GHz-6.5GHz)	£850
Wiltron 6747-20 - Sweep Frequency Synthesiser (10MHz-20GHz)	£3950
Yokogawa 3655 - Analysing Recorder	EPOA

**MANY MORE ITEMS AVAILABLE -
SEND LARGE SAE FOR LIST OF EQUIPMENT
ALL EQUIPMENT IS USED -
WITH 30 DAYS GUARANTEE.
PLEASE CHECK FOR AVAILABILITY BEFORE ORDERING -
CARRIAGE & VAT TO BE ADDED TO ALL GOODS**

The science lab in a PC



Only £59!
+VAT

The DrDAQ is a low cost data logger from Pico Technology. It is supplied ready to use with all cables, software and example science experiments.

DrDAQ represents a breakthrough in data logging. Simply plug DrDAQ into any Windows PC, run the supplied software and you are ready to collect and display data. DrDAQ draws its power from the parallel port, so no batteries or power supplies are required.

- ✓ Very low cost
- ✓ Built in sensors for light, sound (level and waveforms) and temperature
- ✓ Use DrDAQ to capture fast signals (eg sound waveforms)
- ✓ Outputs for control experiments
- ✓ Supplied with both PicoScope (oscilloscope) and PicoLog (data logging) software

Transform your PC.... Into an oscilloscope, spectrum analyser and multimeter...

The Pico Technology range of PC based oscilloscopes offer performance only previously available on the most expensive 'benchtop' scopes. By integrating several instruments into one unit, they are both flexible and cost effective.

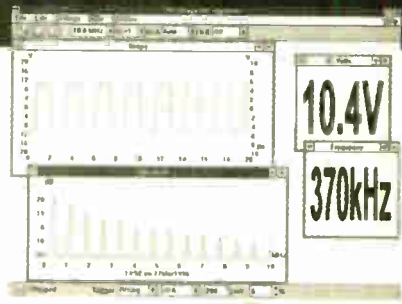
Connection to a PC gives these virtual instruments the edge over traditional oscilloscopes: the ability to print and save waveforms is just one example. Units are supplied with PicoScope for Windows which is powerful, yet simple to use, with comprehensive on line help.

Features

- ▼ A fraction of the cost of comparable benchtop scopes
- ▼ Oscilloscope and data logging software supplied
- ▼ Prices from £69 (excl VAT)
- ▼ Up to 100 MS/s sampling, 50 MHz spectrum analyser

Applications

- ▼ Video
- ▼ Automotive
- ▼ Audio
- ▼ Electronics design
- ▼ Fault finding
- ▼ Education



PICO
Technology Limited

Tel 01480 396395, Fax: 01480 396296, E:mail: post@picotech.com, Web: www.drdaq.com



MAIL ORDER ONLY • CALLERS BY APPOINTMENT

EPE MICROCONTROLLER P.I. TREASURE HUNTER

The latest MAGENTA DESIGN - highly stable & sensitive - with I.C. control of all timing functions and advanced pulse separation techniques.

- High stability drift cancelling
- Easy to build & use
- No ground effect, works in seawater



- Detects gold, silver, ferrous & non-ferrous metals

- Efficient quartz controlled microcontroller pulse generation.
- Full kit with headphones & all hardware

KIT 847.....£63.95

PORTABLE ULTRASONIC PEST SCARER

A powerful 23kHz ultrasound generator in a compact hand-held case. MOSFET output drives a special sealed transducer with intense pulses via a special tuned transformer. Sweeping frequency output is designed to give maximum output without any special setting up.

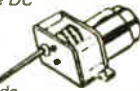
KIT 842.....£22.56

ICEBREAKER

SEE SPECIAL OFFER IN ICEBREAKER AD PAGE 421

DC Motor/Gearboxes

Our Popular and Versatile DC motor/Gearbox sets. Ideal for Models, Robots, Buggies etc. 1.5 to 4.5V Multi ratio gearbox gives wide range of speeds.



LARGE TYPE - MGL £6.95
SMALL - MGS - £4.77

Stepping Motors

MD38...Mini 48 step...£8.65
MD35...Std 48 step...£9.99
MD200...200 step...£12.99
MD24...Large 200 step...£22.95



MOSFET MkII VARIABLE BENCH POWER SUPPLY 0-25V 2.5A.

Based on our Mk1 design and preserving all the features, but now with switching pre-regulator for much higher efficiency. Panel meters indicate Volts and Amps. Fully variable down to zero. Toroidal mains transformer. Kit includes punched and printed case and all parts. As featured in April 1994 EPE. An essential piece of equipment.



Kit No. 845.....£64.95

PIC PIPE DESCALER

- SIMPLE TO BUILD
- HIGH POWER OUTPUT
- AUDIO & VISUAL MONITORING
- SWEPT FREQUENCY

An affordable circuit which sweeps the incoming water supply with variable frequency electromagnetic signals. May reduce scale formation, dissolve existing scale and improve lathering ability by altering the way salts in the water behave. Kit includes case, P.C.B, coupling coil and all components. High coil current ensures maximum effect. L.E.D. monitor



KIT 868£22.95 POWER UNIT.....£3.99

MICRO PEST SCARER

Our latest design - The ultimate scarer for the garden. Uses special microchip to give random delay and pulse time. Easy to build reliable circuit. Keeps pets/pests away from newly sown areas, play areas, etc. Uses power source from 9 to 24 volts.



- RANDOM PULSES
- HIGH POWER
- DUAL OPTION

Plug-in power supply £4.99

KIT 867.....£19.99

KIT+SLAVE UNIT.....£32.50

WINDICATOR

A novel wind speed indicator with LED readout. Kit comes complete with sensor cups, and weatherproof sensing head. Mains power unit £5.99 extra.

KIT 856.....£28.00

★ TENS UNIT ★

DUAL OUTPUT TENS UNIT

As featured in March '97 issue.

Magenta have prepared a FULL KIT for this excellent new project. All components, PCB, hardware and electrodes are included. Designed for simple assembly and testing and providing high level dual output drive.

KIT 866.... Full kit including four electrodes £32.90

Set of 4 spare electrodes £6.50

1000V & 500V INSULATION TESTER



Superb new design. Regulated output, efficient circuit. Dual-scale meter, compact case. Reads up to 200 Megohms. Kit includes wound coil, cut-out case, meter scale, PCB & ALL components.

KIT 848.....£32.95

EPE TEACH-IN 2000

Full set of top quality NEW components for this educational series. All parts as specified by EPE. Kit includes breadboard, wire, croc clips, pins and all components for experiments, as listed in Introduction to Part 1. *Batteries and tools not included.

TEACH-IN 2000 -

KIT 879 **£44.95**

MULTIMETER **£14.45**

SPACEWRITER

An innovative and exciting project. Wave the wand through the air and your message appears. Programmable to hold any message up to 16 digits long. Comes pre-loaded with "MERRY XMAS". Kit includes PCB, all components & tube plus instructions for message loading.

KIT 849.....£16.99!

12V EPROM ERASER

A safe low cost eraser for up to 4 EPROMS at a time in less than 20 minutes. Operates from a 12V supply (400mA). Used extensively for mobile work - updating equipment in the field etc. Also in educational situations where mains supplies are not allowed. Safety interlock prevents contact with UV.

KIT 790.....£29.90

SUPER BAT DETECTOR

1 WATT O/P, BUILT IN SPEAKER, COMPACT CASE
20kHz-140kHz

NEW DESIGN WITH 40kHz MIC.

A new circuit using a 'full bridge' audio amplifier i.c., internal speaker, and headphone/tape socket. The latest sensitive transducer, and 'double balanced mixer' give a stable, high performance superheterodyne design.

KIT 861.....£24.99

ALSO AVAILABLE Built & Tested£39.99

ULTRASONIC PEST SCARER

Keep pets/pests away from newly sown areas, fruit, vegetable and flower beds, children's play areas, patios etc. This project produces intense pulses of ultrasound which deter visiting animals.

- KIT INCLUDES ALL COMPONENTS, PCB & CASE
- EFFICIENT 100V TRANSDUCER OUTPUT
- COMPLETELY INAUDIBLE TO HUMANS
- UP TO 4 METRES RANGE
- LOW CURRENT DRAIN

KIT 812.....£15.00



EPE PROJECT PICs

Programmed PICs for all* EPE Projects
16C84/16F84/16C71

All **£5.90** each

PIC16F877 now in stock

£10 inc. VAT & postage

(*some projects are copyright)

SIMPLE PIC PROGRAMMER

INCREDIBLE LOW PRICE! Kit 857 **£12.99**

INCLUDES 1-PIC16F84 CHIP
SOFTWARE DISK, LEAD
CONNECTOR, PROFESSIONAL
PC BOARD & INSTRUCTIONS

Power Supply **£3.99**

EXTRA CHIPS:
PIC 16F84 **£4.84**

Based on February '96 *EPE*, Magenta designed PCB and kit. PCB with 'Reset' switch, Program switch, 5V regulator and test L.E.D.s, and connection points for access to all A and B port pins.

PIC16C84 LCD DISPLAY DRIVER

INCLUDES 1 PIC16F84
WITH DEMO PROGRAM
SOFTWARE DISK, PCB,
INSTRUCTIONS AND
16-CHARACTER 2-LINE
LCD DISPLAY

Kit 860 **£19.99**

Power Supply **£3.99**

FULL PROGRAM SOURCE
CODE SUPPLIED - DEVELOP
YOUR OWN APPLICATION!

Another super PIC project from Magenta. Supplied with PCB, industry standard 2-LINE x 16-character display, data, all components, and software to include in your own programs. Ideal development base for meters, terminals, calculators, counters, timers - Just waiting for your application!

PIC16F84 MAINS POWER 4-CHANNEL CONTROLLER & LIGHT CHASER

- WITH PROGRAMMED 16F84 AND DISK WITH SOURCE CODE IN MPASM
- ZERO VOLT SWITCHING MULTIPLE CHASE PATTERNS
- OPTO ISOLATED 5 AMP OUTPUTS
- 12 KEYPAD CONTROL
- SPEED/DIMMING POT.
- HARD FIRED TRIACS

Kit 855 **£39.95**

LOTS OF OTHER APPLICATIONS

Now features full 4-channel chaser software on DISK and pre-programmed PIC16F84 chip. Easily re-programmed for your own applications. Software source code is fully 'commented' so that it can be followed easily.

PIC TOOLKIT V1

- PROGRAMS PIC16C84 and 16F84 • ACCEPTS TASM AND MPASM CODE
- Full kit includes PIC16F84 chip, top quality p.c.b. printed with component layout, turned pin PIC socket, all components and software*
*Needs QBASIC or QUICKBASIC

KIT 871 . . . **£13.99**. Built and tested **£21.99**

PhizzyB ALL PARTS FOR SERIES INCLUDING PCBs, PROGRAMMED CHIP, CD-ROM AND DISPLAYS

MAIN BOARD - FULL KIT	£131.95	BUILT	£149.95
I/O PORT KIT	£16.99	BUILT	£24.99
L.C.D.	£12.49	POWER SUPPLY	£3.99
8-BIT SWITCH/LATCH	£7.95	INT. MODULE	£10.45

68000 DEVELOPMENT AND TRAINING KIT

- NEW PCB DESIGN
- 8 MHz 68000 16-BIT BUS
- MANUAL AND SOFTWARE
- 2 SERIAL PORTS
- PIT AND I/O PORT OPTIONS
- I2C PORT OPTIONS



KIT 621
£99.95

- ON BOARD 5V REGULATOR
- PSU **£6.99**
- SERIAL LEAD **£3.99**

Mini-Lab & Micro Lab Electronics Teach-In 7

As featured in *EPE* and now published as Teach-In 7. All parts are supplied by Magenta. Teach-In 7 is £3.95 from us or *EPE*
Full Mini Lab Kit - £119.95 - Power supply extra - £22.55
Full Micro Lab Kit - £155.95
Built Micro Lab - £189.95



EPE PIC Tutorial

At Last! A Real, Practical, Hands-On Series

- Learn Programming from scratch using PIC16F84
- Start by lighting l.e.d.s and do 30 tutorials to Sound Generation, Data Display, and a Security System
- PIC TUTOR Board with Switches, l.e.d.s, and on board programmer

PIC TUTOR BOARD KIT

Includes: PIC16F84 Chip, TOP Quality PCB printed with Component Layout and all components* (*not ZIF Socket or Displays). Included with the Magenta Kit is a disk with Test and Demonstration routines.

KIT 870 **£27.95**, Built & Tested **£42.95**

Optional: Power Supply - **£3.99**, ZIF Socket - **£9.99**

LCD Display **£7.99** LED Display **£6.99**

Reprints Mar/Apr/May 98 - **£3.00** set 3

PIC TOOLKIT V2

- SUPER UPGRADE FROM V1 • 18, 28 AND 40-PIN CHIPS
- READ, WRITE, ASSEMBLE & DISASSEMBLE PICS
- SIMPLE POWER SUPPLY OPTIONS 5-20V
- ALL SWITCHING UNDER SOFTWARE CONTROL
- MAGENTA DESIGNED PCB HAS TERMINAL PINS AND OSCILLATOR CONNECTIONS FOR ALL CHIPS
- INCLUDES SOFTWARE AND PIC CHIP

KIT 878 . . . **£22.99** with 16F84 . . . **£29.99** with 16F877

SUPER PIC PROGRAMMER

- READS PROGRAMS, AND VERIFIES
- WINDOWS™ SOFTWARE
- PIC16C6X, 7X, AND 8X
- USES ANY PC PARALLEL PORT
- USES STANDARD MICROCHIP • HEX FILES
- OPTIONAL DISASSEMBLER SOFTWARE (EXTRA)
- PCB, LEAD, ALL COMPONENTS, TURNED PIN SOCKETS FOR 18, 28, AND 40 PIN ICs.

- SEND FOR DETAILED INFORMATION - A SUPERB PRODUCT AT AN UNBEATABLE LOW PRICE.

Kit 862 **£29.99**

Power Supply **£3.99**

DISASSEMBLER SOFTWARE **£11.75**

PIC STEPPING MOTOR DRIVER

INCLUDES: PCB, PIC16F84 WITH DEMO PROGRAM, SOFTWARE DISK, INSTRUCTIONS AND MOTOR.

Kit 863 **£18.99**

FULL SOURCE CODE SUPPLIED. ALSO USE FOR DRIVING OTHER POWER DEVICES e.g. SOLENOIDS.

Another NEW Magenta PIC project. Drives any 4-phase unipolar motor - up to 24V and 1A. Kit includes all components and 48 step motor. Chip is pre-programmed with demo software, then write your own, and re-program the same chip! Circuit accepts inputs from switches etc and drives motor in response. Also runs standard demo sequence from memory.

8-CHANNEL DATA LOGGER

As featured in Aug./Sept. '99 *EPE* Full kit with Magenta redesigned PCB LCD fits directly on board Use as Data Logger or as a test bed for many other 16F877 projects. Kit includes programmed chip, 8 EEPROMs, PCB, case and all components.

KIT 877 **£49.95** inc. 8 x 256K EEPROMS

MAGENTA

All prices include VAT. Add £3.00 p&p. Next Day £6.99

Tel: 01283 565435 Fax: 01283 546932 E-mail: sales@magenta2000.co.uk

062000



Station Road, Cullercoats, Tyne & Wear, NE30 4PQ



All Major Credit cards Accepted

Prices Exclude Vat @17.5%. Add £1.25 (UK) carriage & Vat to all orders. Cheques / Postal orders payable to ESR Electronic Components.

See Next / Last Months Ad. for COMPONENT ACCESSORIES

Table of electronic components including 4000 Series, 74HC Series, 74LS Series, Linear ICs, and 74 Series. Lists part numbers, descriptions, and prices.

Table of electronic components including EPROM's, RAM, A/D Converters, Data Acquisition, Thyristors, Triacs, Diac, S.I. Switch, Transistors, Voltage Regulators, and Diodes. Lists part numbers, descriptions, and prices.

Table of electronic components including Bridge Rectifiers, Thyristors, Triacs, Diac, S.I. Switch, Transistors, Voltage Regulators, and Diodes. Lists part numbers, descriptions, and prices.

Table of electronic components including Electrolytic Radial, Electrolytic Axial, Resistors - Please State Value Required, Preset Resistors - Please State Value Required, Potentiometers - Please State Value Required, and Hardware & Tools Pack. Lists part numbers, descriptions, and prices.

Tel: 0191 2514363 Fax: 0191 2522296 Email: sales@esr.co.uk http://www.esr.co.uk

EVERYDAY PRACTICAL ELECTRONICS

INCORPORATING ELECTRONICS TODAY INTERNATIONAL £2.65

THE No.1 MAGAZINE FOR ELECTRONICS TECHNOLOGY & COMPUTER PROJECTS

VOL. 29 No. 6 JUNE 2000

Editorial Offices:
EVERYDAY PRACTICAL ELECTRONICS EDITORIAL
ALLEN HOUSE, EAST BOROUGH, WIMBORNE
DORSET BH21 1PF
Phone: Wimborne (01202) 881749
Fax: (01202) 841692.

E-mail: editorial@epemag.wimborne.co.uk
Web Site: <http://www.epemag.wimborne.co.uk>
Online Edition www.epemag.com

See notes on Readers' Enquiries below – we regret lengthy technical enquiries cannot be answered over the telephone.

Advertisement Offices:
EVERYDAY PRACTICAL ELECTRONICS ADVERTISEMENTS
MILL LODGE, MILL LANE
THORPE-LE-SOKEN, ESSEX CO16 0ED
Phone/Fax: (01255) 861161

ELECTRONIC PUBLISHING

This month sees the final part of our *Technology Timelines* series and mention is made by Max and Alvin of the impact on publishing and printing of "new technology". As they have said, it was thought that radio and later television would have an impact on conventional publishing and that magazines and books would gradually disappear. That, of course, proved not to be the case and, in fact, if you look at the magazines and books that are spin-offs from various "electronic media" programmes, plus, of course, all the listings information, it is likely that the only impact these media have had on paper publishing is to increase its output. This may, however, not continue to be the case.

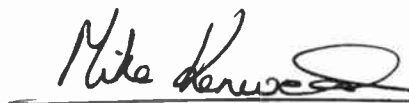
In our own small way we are at the forefront of publishing on the web – there are still very few printed magazines that you can also download directly from a web site – but far from detracting from the published issue it has actually helped to increase our printed copy sales. While *EPE Online* is a great boon particularly to overseas readers on instant availability and price, a number of Online customers have gone on to additionally order printed copies – presumably because, as Max and Alvin point out, there is still something aesthetically pleasing about a printed publication.

With the development of display technology – like the electronic ink reported in *New Technology Update* in the April 2000 issue (incidentally, one reader questioned if this was an April Fool, I can assure you it was not, technology is often stranger than fiction these days) – how much longer will it be until E-books take over, or will we still prefer the feel of paper pages in our hands?

Sometimes much is made of the need to cut down trees to make magazines and books, but these days these trees are "harvested crops" as opposed to naturally growing forests. Thus it may be better for the environment, and for employment, that we produce paper rather than computers. As always, not every step forward is as good for the world at large as it may at first appear to be.

PAPERLESS?

If you believe computers are having an effect on reducing the amount of paper in offices, then please come and take a look at our editorial offices. Unless we are doing something very wrong, it's not showing yet. However, one innovation this month is a step in the right direction – you can now get some of our back issues on CD-ROM. Volume 1 of the new(ish) mini CDs containing back issues from Nov '98 to June '99 is now available and we hope to follow up with Volume 2 (July '99 to Dec '99) fairly soon.



Editor: MIKE KENWARD

Deputy Editor: DAVID BARRINGTON

Technical Editor: JOHN BECKER

On-Line Editor: ALAN WINSTANLEY

Business Manager: DAVID J. LEAVER

Subscriptions: MARILYN GOLDBERG

Editorial: Wimborne (01202) 881749

Advertisement Manager:

PETER J. MEW, Frinton (01255) 861161

Advertisement Copy Controller:

PETER SHERIDAN, Wimborne (01202) 882299

READERS' ENQUIRIES

E-mail: techdept@epemag.wimborne.co.uk

We are unable to offer any advice on the use, purchase, repair or modification of commercial equipment or the incorporation or modification of designs published in the magazine. We regret that we cannot provide data or answer queries on articles or projects that are more than five years old. Letters requiring a personal reply *must* be accompanied by a **stamped self-addressed envelope or a self-addressed envelope and international reply coupons**. All reasonable precautions are taken to ensure that the advice and data given to readers is reliable. We cannot, however, guarantee it and we cannot accept legal responsibility for it.

COMPONENT SUPPLIES

We do not supply electronic components or kits for building the projects featured, these can be supplied by advertisers (see *Shoptalk*). We advise readers to check that all parts are still available before commencing any project in a back-dated issue.

ADVERTISEMENTS

E-mail: adverts@epemag.wimborne.co.uk

Although the proprietors and staff of EVERYDAY PRACTICAL ELECTRONICS take reasonable precautions to protect the interests of readers by ensuring as far as practicable that advertisements are *bona fide*, the magazine and its Publishers cannot give any undertakings in respect of statements or claims made by advertisers, whether these advertisements are printed as part of the magazine, or in inserts.

The Publishers regret that under no circumstances will the magazine accept liability for non-receipt of goods ordered, or for late delivery, or for faults in manufacture. Legal remedies are available in respect of some of these circumstances, and readers who have complaints should first address them to the advertiser.

TRANSMITTERS/BUGS/TELEPHONE EQUIPMENT

We advise readers that certain items of radio transmitting and telephone equipment which may be advertised in our pages cannot be legally used in the UK. Readers should check the law before buying any transmitting or telephone equipment as a fine, confiscation of equipment and/or imprisonment can result from illegal use or ownership. The laws vary from country to country; readers should check local laws.

AVAILABILITY

Copies of *EPE* are available on subscription anywhere in the world (see right), from all UK newsagents (distributed by COMAG) and from the following electronic component retailers: Omni Electronics and Maplin in S. Africa. *EPE* can also be purchased from retail magazine outlets around the world. An Internet on-line version can be purchased from www.epemag.com

SUBSCRIPTIONS

Annual subscriptions for delivery direct to any address in the UK: £26.50. Overseas: £32.50 standard air service, £50 express airmail. Cheques or bank drafts (in £ sterling only) payable to Everyday Practical Electronics and sent to EPE Sub. Dept., Allen House, East Borough, Wimborne, Dorset BH21 1PF. Tel: 01202 881749. Fax: 01202 841692. **E-mail:** subs@epemag.wimborne.co.uk. Also via the **Web** at: <http://www.epemag.wimborne.co.uk>. Subscriptions start with the next available issue. We accept MasterCard or Visa. (For past issues see the *Back Issues* page.)

BINDERS

Binders to hold one volume (12 issues) are available from the above address. These are finished in blue p.v.c., printed with the magazine logo in gold on the spine. Price £5.95 plus £3.50 p&p (for overseas readers the postage is £6.00 to everywhere except Australia and Papua New Guinea which cost £10.50). *Normally sent within seven days but please allow 28 days for delivery – more for overseas.*

Payment in £ sterling only please. Visa and MasterCard accepted, minimum credit card order £5. Send, fax or phone your card number and card expiry date with your name, address etc. Or order on our secure server via our web site. Overseas customers – your credit card will be charged by the card provider in your local currency at the existing exchange rate.



Constructional Project

ATMOSPHERIC ELECTRICITY DETECTOR



KEITH GARWELL Part One

Investigate Nature's power-house with this intriguing experimental design.

It all started way back at the very beginning of the 1990s when the author saw an article in an astronomy magazine suggesting that it might be possible to detect the advent of a meteor by means of a change in the earth's electric field.

Whilst he never succeeded in doing this, confessing that it might be due to inadequacies in his equipment or design, detecting and measuring changes in the electrical state of the earth's atmosphere soon became an interesting hobby.

SCENE SETTING

The ionised layers of the atmosphere extend from about 40km to 200km (25 to 125 miles) above the earth. This ionisation is caused by the "Solar Wind" passing the earth and leaves the upper atmosphere positively charged.

There is thus an electric field between the upper atmosphere and the earth. Using suitable instruments, this field can be detected as it results in a minuscule current through the atmosphere.

If a probe, consisting of a metal plate, is supported on an insulator one metre above ground the metal plate will acquire by conduction the same potential as exists at this level above ground. This would be true of any height, of course, but the metre is a nice standard unit.

A potential of around 100 volts is often present. In other words there is often a potential of 200 volts or more between your nose and toes! Of course nobody gets electrocuted because the resistance of the

air is so high that only a very tiny current is present. This is why the actual values are so difficult to measure.

Modern operational amplifiers make it possible to measure the tiny currents but they object strongly to being subjected to such high voltages!

PRACTICAL MEASUREMENT

There is a way round this problem which is illustrated in Fig 1. The metal plate is supported one metre above the ground and is connected to the positive terminal of a meter which will indicate at least one picoamp. The negative side of the meter is connected to a variable high voltage supply, the other side of which is connected to ground.

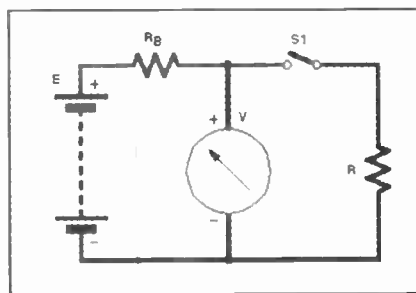


Fig.2. Equivalent circuit of Fig.1 in which atmospheric resistance can be measured.

If the power supply is now adjusted so that the current through the meter is zero, then the voltage from the power supply must be the same as the voltage on the plate.

We can also consider the plate as though it were a battery. Remembering school physics, a battery has potential and also internal resistance. Fig.2 suggests the arrangement whereby both these figures can be determined. The battery voltage is E volts and its internal resistance is R_B (the resistance of the atmosphere). Connected across the battery is a perfect voltmeter, i.e. it consumes no current. It is also possible to connect a resistor R across the battery by means of switch S1.

With the switch in the off position the voltmeter will show the voltage of the battery as E volts. If the switch is now closed the voltage shown by the meter will fall due to the current flowing through R_B and R in series. Call this voltage V.

As the same current flows through both resistors their resistance will be proportional to the voltage across them. V is the voltage across R and the voltage across R_B is $E - V$. This gives:

$$R_B / R = (E - V) / V$$

Multiplying by R we get:

$$R_B = ((E - V) / V) \times R$$

and perhaps a more convenient form:

$$R_B = ((E / V) - 1) \times R$$

and finally

$$R_B = (E \times R / V) - R$$

FIELD EFFECT

Although primarily intended for the observation of atmospheric electricity, the meter described here is very sensitive, quite easily constructed and doubtless adaptable to other fields of interest, including pollution.

Out of curiosity, the author set up the arrangement of Fig.1 in his lounge. The meter reading was zero until the TV was switched on, it then fluctuated rapidly and seemed to be related to the picture make-up!

Whilst Fig.1 allows the device to be used to determine the potential at a given height as well as a figure for the effective resistance of the air at that height, Fig.3 shows a method of obtaining a figure for

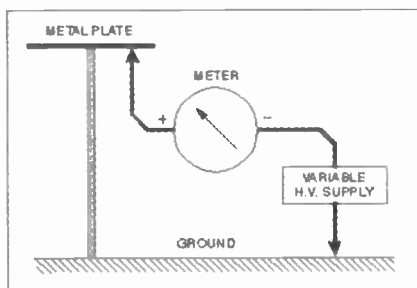


Fig.1. Basic principle of atmospheric electricity monitoring.

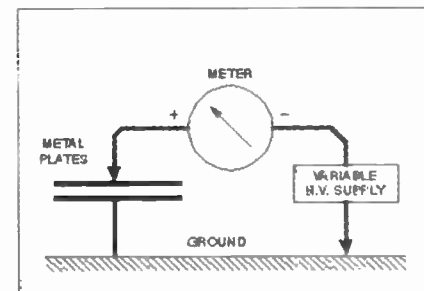


Fig.3. Principle for measuring the resistance of the air.

the resistance of the air by direct measurement. It has been suggested that the resistance of the air and the amount of air pollution are inversely related.

In Fig.3 the metal plate of Fig.1 is replaced by a pair of metal plates 140mm square and separated by 20mm. The separation can be achieved using two pieces of plastic tube. Make shallow slits 20mm apart in the side of the tubes with a saw and then push two opposite corners of the plates into the slits (see photo below).

The plates are supported one metre above ground and the lower plate is connected to ground. The high voltage supply can then be set to any voltage up to 300V and the meter will again indicate the voltage across its resistance and we end up with arithmetic similar to that used before. In this case the resistance (R_p) between the plates will be equal to:

$$\frac{(\text{high voltage setting} - \text{meter reading})}{\text{meter reading}} \times \text{meter resistance}$$

TEST RESULTS

The author's results so far obtained by using the Fig.1 system are as follows:

Taken at a height of 0.5 metres from 1 Nov '99 to 19 Dec '99, from 41 readings the average voltage was 83.3V and the average resistance 10.1 tera ohms (one tera ohm = one million million ohms). The plate is one tenth of a square metre so the figure for one square metre will be 1.01 tera ohms.

Taken at a height of one metre from 4 Jan '00 to 21 Feb '00, from 22 readings the average voltage was 69.2V and the average resistance 8.14 tera ohms, or 0.81 tera ohms per square metre.

All readings were taken under a blue sky with little breeze during the hours of daylight.

Using the two plates of Fig.3 a reading under calm but overcast conditions at a height of one metre gave a reading of 2.4V with 100V applied, giving an R_p value of 4.06 tera ohms. Corrected to a one metre cube gives 4 tera ohms. The correction on the two plates is 0.98.

It is not clear what the relationship is between the two possible resistance values, if indeed there is one! There are lots of other questions to be answered, for example the value given for E at a height of 0.5m was greater than the one obtained for 1m.

This is contrary to expectations, it would seem reasonable to expect a more or less linear increase in E with height, and ideally this could be solved by simultaneous measurement at several heights. The difficulty here is that the values change quickly so the author is waiting for a nice calm day when conditions are stable before drawing further conclusions.

EXPERIMENTAL ASSEMBLY

The equipment needed to perform such measurements is fairly simple to construct, there being only one or two spots where special arrangements are required, mostly concerned with maintaining the required insulation resistance. It can be split into six parts:

- high resistance meter interface
- variable high voltage supply
- system metering
- system interconnections
- probes (plates)
- construction

Note that the 300V variable voltage supply also incorporates an isolated $\pm 14V$ supply for the meter. This is necessary because, as Fig.1 shows, there can be a high voltage present between the meter and ground. This high voltage supply is inherently safe because it is designed with a very limited current capability.

METER CIRCUIT

The schematic in Fig.4 shows the basic circuit diagram for the meter interface buffer. (The meters will be discussed next month.) When the input is connected via socket SK1 to a suitable antenna or probe (e.g. the metal plate mentioned with regard to Fig.1 and Fig.3), this circuit allows atmospheric electricity to be monitored via a suitable meter connected to its output. It is quite simple to construct although there are one or two peculiarities.

First note that the use of an AD795 for op.amp IC1 is not essential but if an alternative is sought its input bias current must be very small because it is passing through a 100M Ω resistor (R2). The AD795 bias current is less than 1pA and the offset voltage less than 250 μ V. The input resistance of this design is 100,000,000,000 ohms,



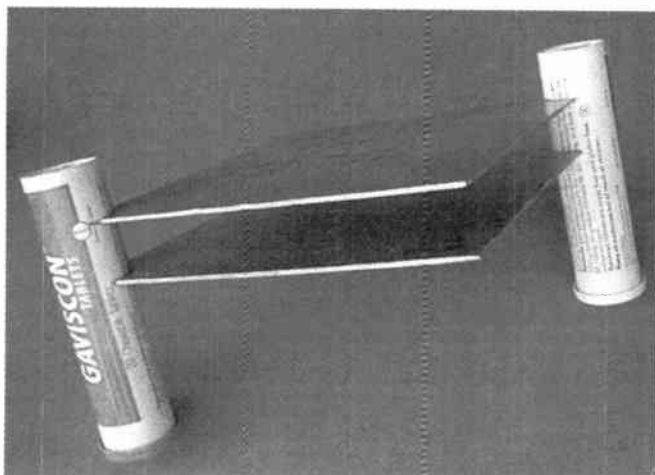
The author's prototype single-plate atmospheric detection platform.

perhaps better described as 10¹¹ ohms or 100 gigohms (G Ω).

The circuit is basically a voltage follower hiding behind one or two minor modifications. It requires a power supply of between $\pm 12V$ and $\pm 15V$.

Resistor R1, in series with the input to the op.amp (pin 3), is a protection resistor. This meter interface is intended to be mixed up with static and various other unpleasant things, at least unpleasant as far as semiconductors are concerned. As a consequence, R1 is intended to reduce the possibility of damage to IC1. Although R1 is 10M Ω , this value is of no consequence to the normal operation because of the effective input resistance of IC1.

Next, one would expect the input bias resistor (R2) to be connected to the 0V line. Instead, connecting it to the junction of resistors R4 and R5 effectively multiplies its value by 1000. This is how



Practical plate construction for use with the test schematic in Fig.3.

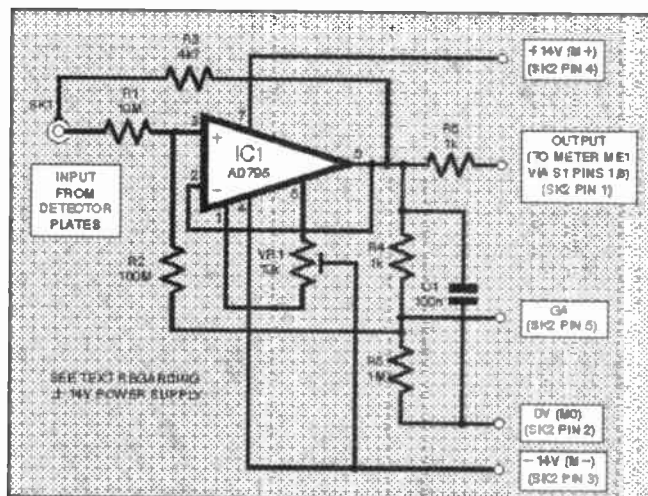


Fig.4. Circuit diagram for the meter interface buffer.

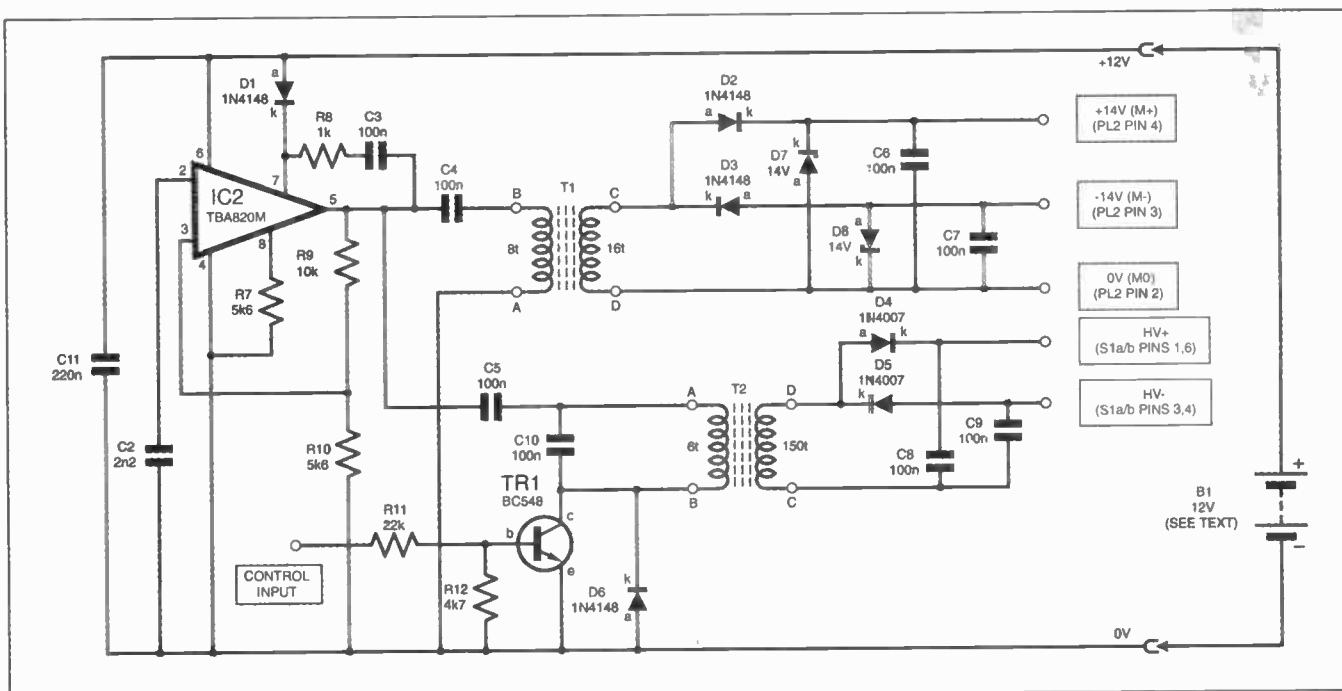


Fig.5. Dual voltage power supply generation circuit diagram plus variable 300V supply.

the massive input resistance is achieved. R2 is already large. 100MΩ, multiplying it by 1000 gives the required figure. This arrangement is known as bootstrapping, although the term is also applied to other similar techniques. How this works is most easily seen by going through an example:

Suppose the input at pin 3 is 1V, the output at pin 6 will also be 1V. The ratio of R4 to R5 is one to a thousand so that the voltage across R4 will be 0.99mV. Let's call it 1mV as a close approximation. Under this the voltage across R2 will be 1mV and the current through it equals $1\text{mV} / 100\text{M}\Omega$ ($I = V / R$), that is $10^{-3} / 10^{-8}$ or 10^{-11} amps. However, the voltage at pin 3 is 1V and the current taken is 10^{-11} amps. The effective resistance must therefore be $1 / 10^{-11}$, which is 10^{11} ohms.

The next point to be made is about resistor R3. This provides what is known as the guard connection. As it is necessary to use an input cable which is screened to connect the meter interface, the screen is connected to R3. There is thus no voltage difference between screen and the conductor, so that leakage is minimised.

Lastly, capacitor C1 stabilises the op.amp to prevent the possibility of high frequency oscillation and also serves to prevent interference gaining access via either the input or output connection.

Note that the connection labelled GA is not used.

DUAL VOLTAGE POWER SUPPLY

Harking back to Fig.1 for a moment, the meter will be operating at some considerable potential above ground because, whilst the open circuit voltage on the plate E is being measured, both the input and the 0V line of Fig.4 will be at the same potential. This means that the dual power supply for the meter interface must be isolated from ground and this supply is generated in a common unit along with the high voltage supply.

In fact there are limits on the power supply. A lower limit of $\pm 12.5\text{V}$ is set by the op.amp type in the meter interface circuit (IC1 in Fig.4) which must provide an output from -10V to $+10\text{V}$. Usually there is a requirement for an allowance (known as headroom) of about 2.5V between the supply and the maximum output voltage.

An upper limit is set by the op.amp manufacturer and is very often $\pm 15\text{V}$ with an absolute maximum of $\pm 18\text{V}$.

Consequently, the value chosen for the prototype is $\pm 14\text{V}$, which makes allowance for both requirements. This supply is generated using a separate circuit to be described in a moment.

A continuously variable high voltage supply from 0V to at least 300V of either polarity must also be generated. This supply must be inherently safe, or at least the user must be! This is achieved by arranging that the high voltage supply has a high internal resistance so that the output current is very limited. This supply must also be isolated from ground so that it can be switched to either polarity.

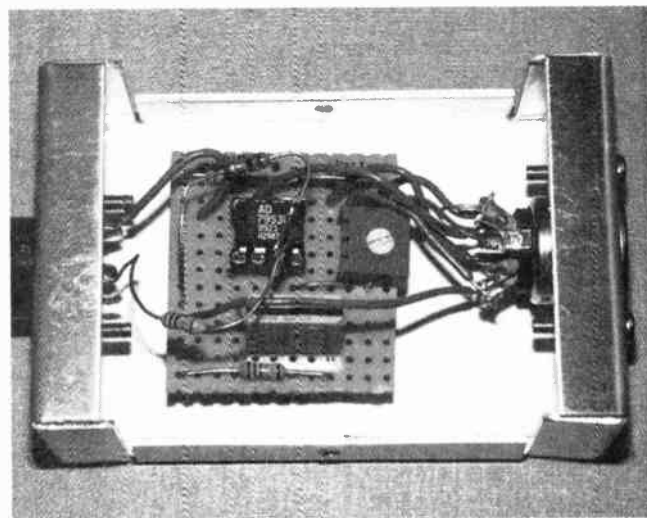
There is also the question of what primary power source is to be used and a 12V battery was chosen. This makes the equipment portable and also safe from mains failure. As in the author's set-up the battery is simultaneously charged from the mains, it was preferable that a voltage of between 11.5V and 13.8V should be allowed for the primary source. This is all achieved as shown in Fig.5.

POWER SUPPLY GENERATOR

In this circuit IC2 is configured as an oscillator whose output is coupled to two transformer and rectifier circuits. The first, based around transformer T1, generates $\pm 14\text{V}$. The second, based around T2, is a variable generator which can be set for any voltage between 0V and 300V, approximately.

Op.amp IC2 is in fact an audio power amplifier. However, it will also operate as a power oscillator and this is how it is used here. Capacitor C2 determines the frequency, in this case about 50kHz. Diode D1, resistor R8 and capacitor C3 are bootstrap components for pin 7 so that the i.c. can achieve a voltage output close to the supply rails.

Output pin 5 drives the primaries of the two transformers T1 and T2, via capacitors C4 and C5 respectively. The output of T1 is rectified by diodes D2 and D3, smoothed by capacitors C6 and C7, and



The meter interface board mounted in its case. A piece of card is placed between the board and bottom of case to prevent any "short circuits".

COMPONENTS

Resistors

R1	10M
R2	100M high ohmic cermet film
R3	4k7
R4, R6	1k (2 off)
R5	1M
R7	5k6 1% metal film
R8	1k 1% metal film
R9	10k 1% metal film
R10	5k6 1% metal film
R11	22k 1% metal film
R12	4k7 1% metal film
R13	100k
R14	22k
R15	3M

All 0.25W 5% carbon film or better, unless marked.

See
SHOP
TALK
page

Potentiometers

VR1	10k min. preset, square
VR2	50k min. preset, round
VR3	10k carbon rotary

Capacitors

C1	100n polyester, 12.5mm spacing
C2	2n2 polystyrene
C3 to C10	100n polyester, 250V (8 off)
C11	220n polyester, 250V

Semiconductors

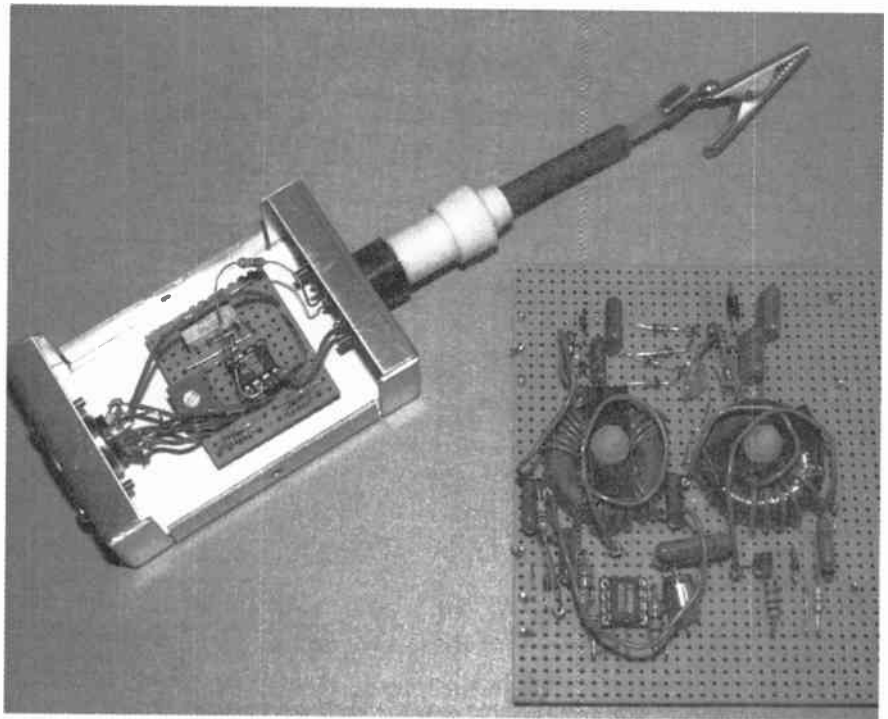
D1 to D3, D6	1N4148 signal diode (4 off)
D4, D5	1N4007 rect. diode (2 off)
D7, D8	14V 400mW Zener diode (2 off)
TR1	BC548 npn transistor
IC1	AD795 op.amp
IC2	TBA820M power op.amp

Miscellaneous

B1	12V battery (see text)
B2	AA cell (2 off)
SK1	coax socket, insulated (chassis mounting) (see text)
SK2	7-pin DIN socket (chassis mounting)
S1	d.p.d.t. min. toggle switch
S2	s.p.s.t. min. toggle switch
S3	d.p.d.t. toggle switch, 240V a.c. rated
S4	s.p.d.t. toggle switch, 240V a.c. rated
PL1	coax plug (cable mounting)
PL2	7-pin DIN plug (cable mounting)
ME1, ME2	panel meter, 0.1mA full scale deflection (2 off)
T1, T2	ferrite toroid B64290K618X830 (25mm dia.) (2 off)

Stripboard, 0.1in 39 strips x 39 holes; stripboard, 0.1in 12 strips x 13 holes; metal case 75mm x 50mm x 25mm; metal case to suit power supply control unit (see text); knob for VR3; 8-pin d.i.l. socket; crocodile clip; 36 gauge (0.2mm) enamelled wire (see text); nylon nut and bolt to suit (see text) (2 off each); aluminium plate 316mm x 316mm x 2mm (or thicker); support hardware (see text); 6-way cable; length to suit; connecting wire; solder, etc.

Approx. Cost
Guidance Only **£19** excl. batts
meters, cases, hardware



Meter interface unit complete with crocodile clipped connection link, plus the constructed power supply board.

regulated at $\pm 14V$ by the Zener diodes D7 and D8.

The output of T2 is applied to a voltage doubling circuit, comprising D4, D5, C8 and C9. The drive to its primary is controlled by TR1 and D6, the affect of which depends on the base current produced by the d.c. voltage applied to R11 from the high voltage adjustment control input.

Note that capacitors C8 and C9 must be rated at 250 volts working and therefore all the 100nF capacitors have been specified at the same rating.

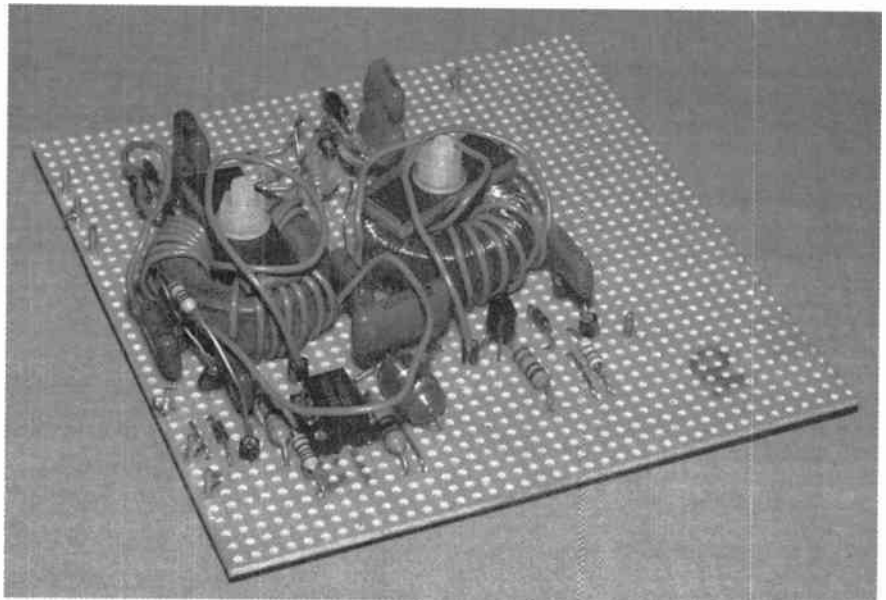
METER INTERFACE CONSTRUCTION

The meter interface circuit can be built using stripboard and a layout is suggested in Fig.6. It is prudent to use a socket for IC1 so that it can easily be replaced if it does have a mishap. Always ensure that IC1 is correctly orientated.

The most important part of the construction to be noted is that pin 3 of IC1 must be bent out sideways so that when the i.c. is fitted pin 3 is well away from the board. The two resistors R1 and R2 are soldered directly to pin 3 and supported on their wires and should not touch anything!

During the setting up operation the input must be entirely screened. This is most easily done by mutilating a standard cable mounting coaxial plug. To do this unscrew the cap and remove the central conductor and the cable clamp. Then bung up the cap with a scrap of aluminium foil crushed into a ball. This should be a firm fit in the cap. Replace the cap on the body of the plug and the job is done.

Connector SK2 is a 7-pin DIN socket and SK1 is a TV aerial socket. The latter is special in that both centre connector and the screen connector must be insulated from the aluminium case. There are



Close up details of the constructed power supply board.

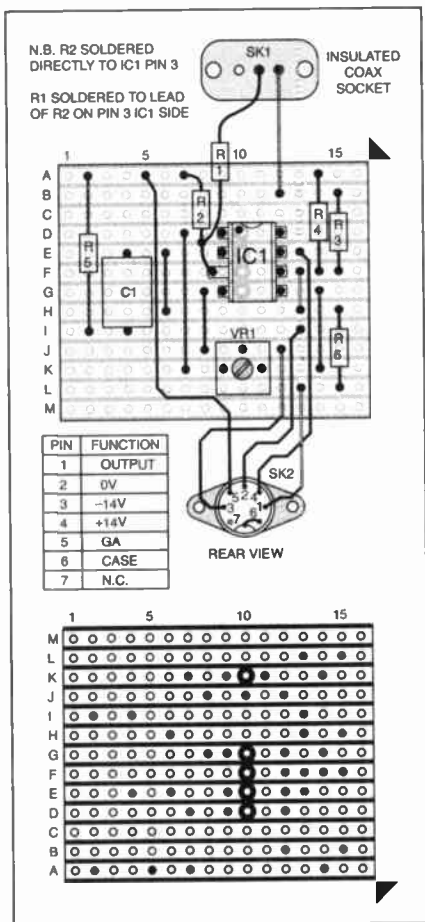


Fig.6. Meter interface stripboard component layout, details of breaks required in underside copper tracks and wiring to off-board components.

some connectors which are in a plastic moulding and one of these will be fine. If this type is not available then the more normal socket with the metal outer can be used but it will have to be insulated from the case by mounting it on a piece of insulating board.

An aluminium case needs to be used, measuring about 76mm x 50mm x 25mm. The DIN socket should be fitted at one end and the TV coaxial socket at the other.

POWER SUPPLY CONSTRUCTION

The secondary winding on the high voltage transformer T2 is 150 turns of 36 gauge (0.2mm) enamelled wire. For those who haven't played this game before, use a shuttle. This can be made from a piece of card or plastic that will pass through the centre of the toroid and which has a slot at either end so that the wire can be wrapped round the shuttle lengthwise.

It is as well to first put 10 turns on the toroid the hard way, take it off and measure it so that the required length for 150 turns can be worked out. Allow plenty for the ends. The wire is much cheaper than patience!

The primary for transformer T2 has only six turns. For T1, the primary has eight turns and the secondary 16 turns. As the other windings have only a few turns, so the wire can be threaded through. Plastic covered connection wire will do, e.g. 1/0.6.

Assembly details for the power supply board are shown in Fig.7. There is nothing

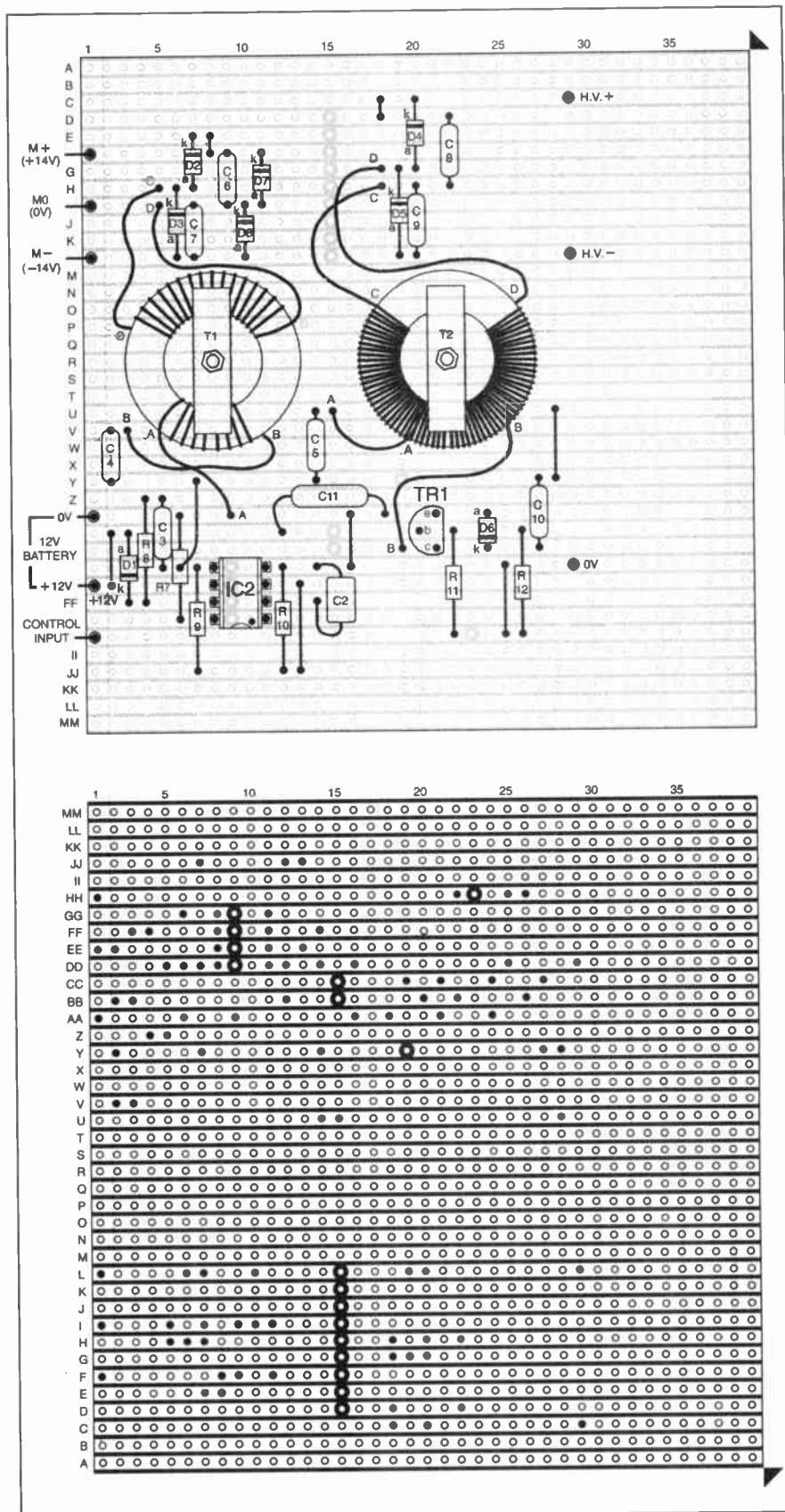


Fig.7. Power Supply stripboard, topside component layout and underside copper track break details. Note that the two toroid transformers are bolted to the board using nylon nuts and bolts and two strips of plastic.

special about the layout so it can be varied to suit different component sizes. Be careful with the cuts in the tracks since these must be done on the reverse side. It is easiest to poke something through from the front to help mark a cut position.

The two transformers should be fastened to the board, ideally using a nylon nut and bolt, passing the bolt through a

piece of plastic, through the centre of the toroid and through a hole in the matrix board. Tighten the nuts just sufficiently to hold the toroids in place.

Next Month:

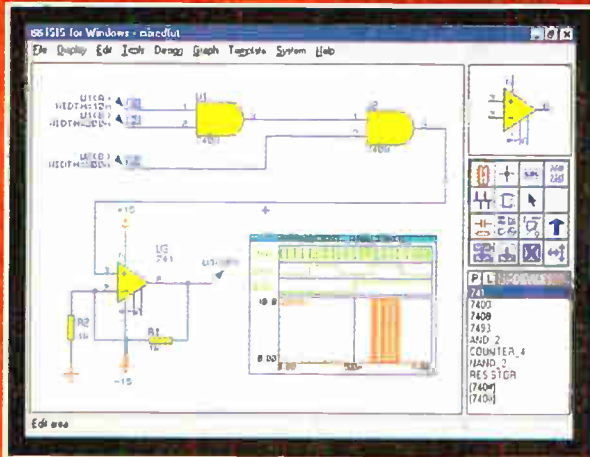
In the final part next month we conclude the construction and describe the metering and monitoring probes.

PROTEUS

including **NEW SIMULATOR**

PRO SPICE 3F5

NEW
NOW WITH
Interactive Circuit
Animation



Simulation

- Berkeley SPICE3F5 analogue simulation kernel.
- True mixed mode simulation.
- New analysis types include multi-plct sweeps, transfer curves, distortion and impedance plots.
- Active Components: Switches, Pots etc.
- Over 1000 new library parts with SPICE models.
- Greater ease of use.

"a constant high level
of capability throughout"

EWV CAD Review Round Up September 1998

Schematic Capture

- Produces attractive schematics like in the magazines.
- Netlist, Parts List & ERC reports.
- Hierarchical Design.
- Full support for buses including bus pins.
- Extensive component/model libraries.
- Advanced Property Management.
- Seamless integration with simulation and PCB design.

PCB Design

- Automatic Component Placement.
- Rip-Up & Retry Autorouter with tidy pass.
- Pinswap/Gateswap Optimizer & Back-Annotation.
- 32 bit high resolution database.
- Full DRC and Connectivity Checking.
- Shape based gridless power planes.
- Gerber and DXF Import capability.

SHAREWARE VERSIONS

NOW WITH INTERACTIVE CIRCUIT ANIMATION
Download your copy now

<http://www.labcenter.co.uk>

"the
BEST all-round
PROGRAM"

EWV CAD Review Round Up September 1998

Available in 5 levels - prices from £295 to £1625 + VAT.
Call now for further information & upgrade prices.

Write, phone or fax for your free demo disk, or ask about our full evaluation kit.
Tel: 01756 753440. Fax: 01756 752857. EMAIL: info@labcenter.co.uk
53-55 Main St, Grassington. BD23 5AA. WWW: <http://www.labcenter.co.uk>

labcenter
Electronics

Fully interactive demo versions available for download from our WWW site.
Call for educational, multi-user and dealer pricing - new dealers always wanted.
Prices exclude VAT and delivery. All manufacturer's trademarks acknowledged.

ADD £2.00 P&P to all orders (or 1st Class Recorded £4, Next day (insured £250) £7, Europe £4.00, Rest of World £8.00). We accept all major credit cards. Make cheques/P.O.s payable to Quasar Electronics. Prices include 17.5% VAT. MAIL ORDER ONLY FREE CATALOGUE with order or send 2 x 1st class stamps (refundable) for details of over 150 kits & publications.



PROJECT KITS

OUR PROJECT KITS COME COMPLETE WITH ALL COMPONENTS, HIGH QUALITY PCBs, DETAILED ASSEMBLY/OPERATING INSTRUCTIONS

- **2 x 25W CAR BOOSTER AMPLIFIER** Connects to the output of an existing car stereo cassette player, CD player or radio. Heatsinks provided. PCB 76x75mm. 1046KT £24.95
- **3-CHANNEL WIRELESS LIGHT MODULATOR** No electrical connection with amplifier. Light modulation achieved via a sensitive electret microphone. Separate sensitivity control per channel. Power handling 400W/channel. PCB 54x112mm. Mains powered. Box provided. 6014KT £24.90
- **12 RUNNING LIGHT EFFECT** Exciting 12 LED light effect ideal for parties, discos, shop-windows & eye-catching signs. PCB design allows replacement of LEDs with 220V bulbs by inserting 3 TRIACS. Adjustable rotation speed & direction. PCB 54x112mm. 1026KT £16.95; BOX (for mains operation) 2026KT £8.50
- **DISCO STROBE LIGHT** Probably the most exciting of all light effects. Very bright strobe. Tube. Adjustable strobe frequency: 1-60Hz. Mains powered. PCB: 60x68mm. Box provided. 6037KT £29.90
- **ANIMAL SOUNDS** Cat, dog, chicken & cow. Ideal for kids farmyard toys & schools. SG10M £5.50
- **3 1/2 DIGIT LED PANEL METER** Use for basic voltage/current displays or customise to measure temperature, light, weight, movement, sound levels, etc. with appropriate sensors (not supplied). Various input circuit designs provided. 3061KT £12.95
- **IR REMOTE TOGGLE SWITCH** Use any TV/RCR remote control unit to switch onboard 12V/1A relay on/off. 3058KT £9.95
- **SPEED CONTROLLER** for any common DC motor up to 100V/5A. Pulse width modulation gives maximum torque at all speeds. 5-15VDC Box provided. 3067KT £14.95
- **3 x 8 CHANNEL IR RELAY BOARD** Control eight 12V/1A relays by Infra Red (IR) remote control over a 20m range in sunlight. 6 relays turn on only, the other 2 toggle on/off 3 operation ranges determined by jumpers. Transmitter case & all components provided. Receiver PCB 76x89mm. 3072KT £44.95

SURVEILLANCE

High performance surveillance bugs. Room transmitters supplied with sensitive electret microphone & battery holder/clip. All transmitters can be received on an ordinary VHF/FM radio between 88-108MHz Available in Kit Form (KT) or Assembled & Tested (AS).

ROOM SURVEILLANCE

- **MTX - MINIATURE 3V TRANSMITTER** Easy to build & guaranteed to transmit 300m @ 3V. Long battery life. 3.5V operation. Only 45x18mm. ● 3007KT £5.95 AS3007 £10.95
- **MTX - MINIATURE 9V TRANSMITTER** Our best selling bug. Super sensitive, high power - 500m range @ 9V (over 1km with 18V supply and better aerial). 45x19mm. 3018KT £8.95 AS3018 £11.95
- **HPTX - HIGH POWER TRANSMITTER** High performance, 2 stage transmitter gives greater stability & higher quality reception 1000m range @ 12V DC operation. Size 70x15mm 3032KT £8.95 AS3032 £17.95



TELEPHONE SURVEILLANCE

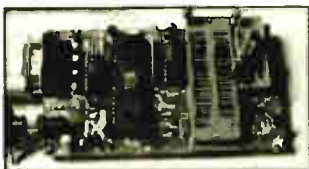
- **MTX - MINIATURE TELEPHONE TRANSMITTER** Attaches anywhere to phone line. Transmits only when phone is used. Tune-in your radio and hear both parties 300m range. Uses line as aerial & power source. 20x45mm. 3016KT £7.95 AS3016 £13.95
- **TELEPHONE RECORDING INTERFACE** Automatically record all conversations. Connects between phone line & tape recorder (not supplied). Operates recorders with 1.5-12V battery systems. Powered from line. 50x33mm 3033KT £7.95 AS3033 £16.95
- **TPA - TELEPHONE PICK-UP AMPLIFIER/WIRELESS PHONE BUG** Place pick-up coil on the phone line or near phone earpiece and hear both sides of the conversation. 3055KT £10.95 AS3055 £19.95

- **1 WATT FM TRANSMITTER** Easy to construct. Delivers a crisp, clear signal. Two-stage circuit. Includes microphone and requires a simple open dipole aerial. 80x30VDC. PCB 42x45mm. 1009KT £14.95
- **4 WATT FM TRANSMITTER** Comprises three RF stages and an audio preamplifier stage. Piezoelectric microphone supplied or you can use a separate preamplifier circuit. Antenna can be an open dipole or Ground Plane. Ideal project for those who wish to get started in the fascinating world of FM broadcasting and want a good basic circuit to experiment with. 12-18VDC. PCB 41x416mm. 1028KT £23.95
- **15 WATT FM TRANSMITTER (PRE-ASSEMBLED & TESTED)** Four transistor based stages with Philips BLY 88 in final stage. 15 Watts RF power on the air. 88-108MHz. Accepts open dipole, Ground Plane, 5/8, J, or YAGI configuration antennas. 12-18VDC. PCB 70x220mm. SWS meter needed for alignment. 1021KT £69.95
- **SIMILAR TO ABOVE BUT 25W Output.** 1028KT £79.95

NEW PRODUCT FEATURE

ATMEL 89xxxx PROGRAMMER

This is a powerful programmer for the Atmel 8051 family of microcontrollers. It supports 89C1051, 89C2051, 89C4051, 89C51, 89LV51, 89C52, 89LV52, 89C55, 89LV55, 89S8252, 89LS8252, 89S53, 89LS53 devices. Programmer does NOT require special software other than a terminal emulator program (built into Windows). Works with ANY computer/operating system using the serial port. All fuse & lock bits are programmable. 4 LEDs indicate programming status. For full details of this product or our other Atmel & PIC programmers, please call us or visit our website. ORDERING INFO: Kit 3123KT - £49.95; Built AS3123 - £69.95. OPTIONAL EXTRAS: ZIF Sockets add £30.00; Serial Lead, £4.95; Power Supply, £5.95.



- **SOUND EFFECTS GENERATOR** Easy to build. Create an almost infinite variety of interesting/unusual sound effects from birds chirping to sirens. 9VDC. PCB 54x85mm. 1045KT £8.95
- **ROBOT VOICE EFFECT** Make your voice sound similar to a robot or Daria! Great fun for discos, school plays, theatre productions, radio stations & playing jokes on your friends when answering the phone! PCB 42x71mm. 1131KT £8.95
- **AUDIO TO LIGHT MODULATOR** Controls intensity of one or more lights in response to an audio input. Safe, modern opto-coupler design. Mains voltage experience required. 3012KT £7.95
- **MUSIC BOX** Activated by light. Plays 8 Christmas songs and 5 other tunes. 3104KT £6.95
- **20 SECOND VOICE RECORDER** Uses non-volatile memory - no battery backup needed. Record/play messages over & over. Playback as required to greet customers etc. Volume control & built-in m.c. 6VDC. PCB 50x73mm. 3131KT £11.95
- **TRAIN SOUNDS** 4 selectable sounds: whistle blowing, level crossing bell, 'clackety-clack' & 4 in sequence. SG01M £5.95
- **PC CONTROLLED RELAY BOARD** Convert any 286 upward PC into a dedicated automatic controller to independently turn on/off up to eight lights, motors & other devices around the home, office, laboratory or factory using 8 240VAC/12A onboard relays. DOS utilities, sample test program, full-featured Windows utility & all components (except cable) provided. 12VDC. PCB 70x200mm. 3074KT £29.95
- **2 CHANNEL UHF RELAY SWITCH** Contains the same transmitter/receiver pair as 30A15 below plus the components and PCB to control two 240VAC/10A relays (also supplied). Ultra bright LEDs used to indicate relay status. 3082KT £27.95
- **TRANSMITTER RECEIVER PAIR** 2-button keyboard style 300-375MHz Tx with 3-band switching. Receiver built into module with matched decoder IC. Components must be built into a circuit like kit 3082 above. 30A15 £13.95
- **PC DATA ACQUISITION/CONTROL UNIT** Use your PC to monitor physical variables (e.g. pressure, temperature, light, weight, switch state, movement, relays, etc.), process the information & use results to control physical devices like motors, sirens, relays, servo & stepper motors. Inputs: 16 digital & 11 analogue. Outputs: 8 digital & 1 analogue. Plastic case with printed front/rear panels, software utilities, programming examples & all components (except sensors & cable) provided. 12VDC. 3093KT £89.95
- **PIC 16C71 FOUR SERVO MOTOR DRIVER** Simultaneously control up to 4 servo motors. Software & all components (except servos/control pots) supplied. 5VDC. PCB 50x70mm. 3102KT £14.95
- **PC SERIAL PORT ISOLATED I/O BOARD** Provides eight 240VAC/10A relay outputs & 4 optically isolated inputs. Designed for use in various control & sensing applications (e.g. load switching, external switch input sensing, contact closure & external voltage sensing. Controlled via serial port & a terminal emulator program (built into Windows). Can be used with ANY computer/operating system. Plastic case with printed front/rear panels & all components (except cable) provided. 3108KT £49.95
- **UNIPOLAR STEPPER MOTOR DRIVER** for any 5/6/8 lead motor. Fast/slow & single step rates. Direction control & on/off switch. Wave, 2-phase & half-wave step modes. 4 LED indicators. PCB 50x65mm. 3109KT £14.95
- **PC CONTROLLED STEPPER MOTOR DRIVER** Control two unipolar stepper motors (3A max. each) via PC printer port. Wave, 2-phase & half-wave step modes. Software accepts 4 digital inputs from external switches & will single step motors. PCB fits in D-shell case provided. 3113KT £17.95
- **12-BIT PC DATA ACQUISITION/CONTROL UNIT** Similar to kit 3093 above but uses a 12 bit Analogue-to-Digital Converter (ADC) with internal analogue multiplexer. Reads 8 single ended channels or 4 differential inputs or a mixture of both. Analogue inputs read 0-4V. Four TTL/CMOS compatible digital input/outputs. ADC conversion time <10µs. Software (C, QB & Win), extended D shell case & all components (except sensors & cable) provided. 3118KT £49.95

- **LIQUID LEVEL SENSOR/RAIN ALARM** Will indicate fluid levels or simply the presence of fluid. Relay output to control a pump to add/remove water when it reaches a certain level. 1060KT £8.95
- **STEREO VU METER** Shows peak music power using 2 rows of 10 LEDs (mixed green & red) moving bar display. 0-30db. 3089KT £10.95
- **AM RADIO KIT 1 Tuned Radio Frequency** front-end, single chip AM radio IC & 2 stages of audio amplification. All components inc. speaker provided. PCB 32x102mm. 3063KT £9.95
- **DRILL SPEED CONTROLLER** Adjust the speed of your electric drill according to the job at hand. Suitable for 240V AC mains powered drills up to 700W power. PCB: 48mm x 65mm. Box provided. 6070KT £17.90
- **3 INPUT MONO MIXER** Independent level control for each input and separate bass/treble controls. Input sensitivity: 240mV. 18V DC. PCB: 60mm x 165mm 1052KT £16.95
- **NEGATIVE/POSITIVE ION GENERATOR** Standard Cockcroft-Walton multiplier circuit. Mains voltage experience required. 3057KT £9.95
- **LED DICE** Classic intro to electronics & circuit analysis. 7 LEDs simulate saw roll, slow down & land on a number at random. 555 IC circuit. 3003KT £8.95
- **STARWAY TO HEAVEN** Test hand-eye co-ordination. Press switch to green segment of LED lights to climb the stairway - miss & start again! Good intro to several basic circuits. 3005KT £8.95
- **ROULETTE LED 'Ball'** spins round the wheel, slows down & drops into a slot. 10 LEDs. Good intro to CMOS decade counters & Op-Amps. 3006KT £10.95
- **9V XENON TUBE FLASHER** Transformer circuit steps up 9V battery to flash a 25mm Xenon tube. Adjustable flash rate (0.25-2 Sec's). 3022KT £10.95
- **LED FLASHER 1** 5 ultra bright red LED's flash in 7 selectable patterns. 3037MKT £4.95
- **LED FLASHER 2** Similar to above but flash in sequence or randomly. Ideal for model railways. 3052MKT £4.95
- **INTRODUCTION TO PIC PROGRAMMING.** Learn programming from scratch. Programming hardware, a P16F84 chip and a two-part, practical, hands-on tutorial series are provided. 3081KT £21.95
- **SERIAL PIC PROGRAMMER** for all 818/28/40 pin DIP serial programmed PICs. Shareware software supplied limited to programming 256 bytes (registration costs £14.95). 3096KT £14.95
- **'PICALL' SERIAL & PARALLEL PIC PROGRAMMER** for all 818/28/40 pin DIP parallel AND serial PICs. Includes fully functional & registered software (DOS, W3.1, W95-8). 3117KT £59.95
- **ATMEL 89C051 PROGRAMMER** Simple-to-use yet powerful programmer for the Atmel 89C1051, 89C2051 & 89C4051 u.c's. Programmer does NOT require special software other than a terminal emulator program (built into Windows). Can be used with ANY computer/operating system. 3121KT £34.95
- **3V/1.5V TO 9V BATTERY CONVERTER** Replace expensive 9V batteries with economic 1.5V batteries IC based circuit steps up 1 or 2 'AA' batteries to give 9V/18mA. 3035KT £4.95
- **STABILISED POWER SUPPLY 3-30V/2.5A** Ideal for hobbyist & professional laboratory. Very reliable & versatile design at an extremely reasonable price. Short circuit protection. Variable DC voltages (3-30V). Rated output 2.5 Amps. Large heatsink supplied. You just supply a 24VAC/3A transformer. PCB 55x112mm. Mains operation. 1007KT £17.50. Custom Designed Box 2007 £34.95
- **STABILISED POWER SUPPLY 2-30V/5A** As kit 1007 above but rated at 5Amp. Requires a 24VAC/5A transformer. 1096KT £29.95. Custom Designed Box 2096 £34.95
- **MOTORBIKE ALARM** Uses a reliable vibration sensor (adjustable sensitivity) to detect movement of the bike to trigger the alarm & switch the output relay to which a siren, bells, horns, indicators or other warning device can be attached. Auto-reset. 6-12VDC. PCB 57x64mm. 1011KT £11.95 Box £5.95
- **CAR ALARM SYSTEM** Protect your car from theft. Features vibration sensor, courtesy/boot light voltage drop sensor and bonnet/boot earth switch sensor. Entry/exit delays, auto-reset and adjustable alarm duration. 6-12V DC. PCB: 47mm x 55mm. 1019KT £11.95 Box £5.50
- **PIEZO SCREAMER** 110dB of ear piercing noise. Fits in box with 2 x 35mm piezo elements built into their own resonant cavity. Uses an alarm siren or just for fun! 6-9VDC. 3015KT £9.95
- **COMBINATION LOCK** Versatile electronic lock comprising main circuit & separate keypad for remote opening of lock. Relay supplied. 3029KT £9.95
- **ULTRASONIC MOVEMENT DETECTOR** Crystal based detection frequency for stability & reliability. PCB 75x40mm houses all components. 4-7m range. Adjustable sensitivity. Output will drive external relay/circuits. 9VDC. 3049KT £12.95
- **PIR DETECTOR MODULE** 3-led assembled unit just 25x35mm as used in commercial burglar alarm systems. 3076KT £8.95
- **INFRARED SECURITY BEAM** When the invisible IR beam is broken a relay is tripped that can be used to sound a bell or alarm. 25 metre range. Mains rated 3 relays provided. 12VDC operation. 3130KT £11.95
- **SQUARE WAVE OSCILLATOR** Generates square waves at 6 preset frequencies in factors of 10 from 1Hz-100KHz. Visual output indicator. 5-18VDC. Box provided. 3111KT £8.95
- **PC DRIVER POCKET SAMPLER/DATA LOGGER** Analogue voltage sampler records voltages up to 2V or 20V over periods from milli-seconds to months. Can also be used as a simple digital scope to examine audio & other signals up to about 5KHz. Software & D-shell case provided. 3112KT £19.95
- **20 MHz FUNCTION GENERATOR** Square, triangular and sine waveform up to 20MHz over 3 ranges using 'coarse' and 'fine' frequency adjustment controls. Adjustable output from 0-2V p-p. A TTL output is also provided for connection to a frequency meter. Uses MAX038 IC. Plastic case with printed front/rear panels & all components provided. 7-12VAC. 3101KT £54.95

X-FACTOR PUBLICATIONS

THE EXPERTS IN RARE & UNUSUAL INFORMATION!

Full details of all X-FACTOR PUBLICATIONS can be found in our catalogue. NB: Minimum order charge for reports and plans is £5.00 PLUS normal P&P.

- **SUPER-EAR LISTENING DEVICE** Complete plans to build your own parabolic dish microphone. Listen to distant voices and sounds through open windows and even walls! Made from readily available parts. R002 £3.50
- **TELEPHONE BUG PLANS** Build your own micro-bee telephone bug. Suitable for any phone. Transmits over 250 metres - more with good receiver. Made from easy to obtain, cheap components. R006 £2.50
- **LOCKS** - How they work and how to pick them. This fact filled report will teach you more about locks and the art of lock picking than many books we have seen at 4 times the price. Packed with information and illustrations. R008 £3.50
- **RADIO & TV JOKER PLANS** We show you how to build three different circuits for disrupting TV picture and sound plus FM radio! May upset your neighbours & the authorities! DISCRETION REQUIRED! R017 £3.50
- **INFINITY TRANSMITTER PLANS** Complete plans for building the famous Infinity Transmitter. Once installed on the target phone, device acts like a room bug. Just call the target phone & activate the unit to hear all room sounds. Great for home/office security! R019 £3.50
- **THE ETHER BOX CALL INTERCEPTOR PLANS** Grabs telephone calls out of thin air! No need to wire-in a phone bug. Simply place this device near the phone lines to hear the conversations taking place! R020 £3.50
- **CASH CREATOR BUSINESS REPORTS** Need ideas for making some cash? Well this could be just what you need! You get 40 reports (approx. 800 pages) on floppy disk that give you information on setting up different businesses. You also get valuable reproduction and duplication rights so that you can sell the manuals as you like. R030 £7.50

BARGAIN BUY!

Great introduction to electronics. Ideal for the budding electronics expert! Build a radio, burglar alarm, water detector, Morse code practice circuit, simple computer circuits, and much more! NO soldering, tools or previous electronics knowledge required. Circuits can be built and unassembled repeatedly. Comprehensive 68-page manual with explanations, schematics and assembly diagrams. Suitable for age 10+. Excellent for schools. Requires 2 x AA batteries. ONLY £14.95 (phone for bulk discounts).



30-In-One Electronic Projects Lab

**WEB: <http://www.QuasarElectronics.com>
 email: epesales@QuasarElectronics.com**

**Secure Online Ordering Facilities
 Full Kit Listing, Descriptions & Photos
 Kit Documentation & Software Downloads**

COMPUSERVE 2000

Migration to Compuserve 2000 may not be trouble-free for
"Classic" users – as Barry Fox has discovered.

INTERNET E-mail services such as Freeserve are free but users must pay the cost of the access call to the UK node. This makes access from abroad difficult and very expensive. The two long-established E-mail services, AOL and Compuserve, charge a monthly subscription rate but offer access through local nodes in most countries. A year or so ago AOL bought Compuserve and has been trying to integrate the two infrastructures. While AOL remains largely unchanged, Compuserve has launched a completely new service called Compuserve 2000 which uses the same software as AOL, with only cosmetic differences.

Compuserve 2000 slid onto the market without any formal launch or press briefings. The software is given away on magazine cover-mount discs, and mailed to existing "Classic" Compuserve subscribers. Compuserve's Help Line was ill-prepared to answer queries from users who tried using the discs and ran into trouble.

The disc contains important utilities, but there was nothing on the sleeve to explain where they are, what they do and how to use them. Compuserve's management, press and PR team has been in a state of flux since the takeover. Journalists and users alike have been given incorrect and contradictory answers to questions on issues of pricing, policy and technology.

Mishandled

Recently, a Compuserve spokesman admitted: "The conversion from Classic to 2000 was mishandled. The two services are completely different and this was never communicated. It was a mistake and wholly regrettable. We are absolutely committed to supporting Classic if people want to stay with it".

Previously Compuserve had said: "We are giving more attention to the service itself than to the technology used to deliver it, e.g. the new CompuServe Portfolio and TravelAgent products."

The first CS2000 discs triggered an installation process that asked existing subscribers for their ID and password. But this was not their existing ID number or name alias. Confusingly, it was the free trial code on the disc sleeve. Compuserve's Help Lines were quickly clogged with long queues of enquiries.

Hopefully this has been changed on later versions. But one thing cannot change for the better. Existing Classic subscribers must choose a new name. From then on, mail addressed to the old Compuserve name or number is automatically forwarded. But once you have converted one PC to

CS2000 and chosen a new name, you are obliged to convert every other PC you ever use because their old-style software can no longer receive mail.

No Escape

On the original CS2000 discs there was no escape from the installation procedure. The only way out was to crash out with Ctrl-Alt-Del. This was a dangerous trap because it is an odds-on certainty that Classic users will not be able to keep their existing name alias. Every imaginable name and close variant has already been taken.

This is because CS2000 shares a database with AOL, so literally tens of millions of names have been taken by AOL users long ago. The system offers only dogends like Bill7453. Every attempt at choosing something else is likely to fail. Once the user has accepted a dogend, either by accident or in exasperation, it is too late to change.

One trick is to use phonetic spelling. I had to settle for barryphox@cs.com and now get messages to Mr Phox. Another trick is to tack the letters UK onto the end of a name and hope no-one got there first.

Foreign Surcharges

International access has changed too. Some foreign numbers can only be dialled from inside the foreign country. This makes it impossible to set up a laptop in advance of a foreign trip and check access before leaving home. Compuserve has not been able to explain why access by GSM cellphone, e.g. in Berlin, is unreliable, with calls repeatedly dropping after connection, but sometimes working with the same settings.

This matters because CS2000 introduces roaming surcharges. Whereas it cost only the price of a local call to access Compuserve in foreign lands, there is now a billed surcharge.

This varies from country to country but is unlikely to be less than £2.50 and can be £20. Compuserve has been giving completely contradictory advice on whether this is per access or per hour. The latest assurance is that it is per hour, on top of whatever call charges are made to access the local node. It is best to check on line with GO PHONES, Communications Surcharges, before leaving home. Advice from the CS2000 Help Line has been unreliable, and whereas this used to be on a freephone number, both Classic and 2000 users must now pay at national rate.

When ISDN connections by Motorola/BT Ignition Terminal Adaptors recently failed, it took a month of wasted calls and red herring advice before the Help Line discovered that there had been an undocumented change in the CS2000 network protocol.

A new service called CS Webmail allows international access through ISPs (<http://csmail.compuserve.com>). So it should be possible to collect mail through an Internet Cafe. But once someone has ISP access to the Internet they can equally well use it with a free E-mail service such as Hotmail, without the need for a Compuserve or AOL subscription.

Netscape On Line

Less than five per cent of Classic users have migrated to CS2000. Some of those quickly regret it but find themselves trapped. Although it is possible to revert to Classic, the process takes several days, during which time all incoming mail is lost. After that any mail sent to the 2000 address will be lost because there is no provision for backwards routing from 2000 to Classic.

AOL/Compuserve clearly see the writing on the wall. The company is already offering UK users a free Internet/E-mail service called Netscape on Line which competes directly with Freeserve.

NEW MAPLIN CATALOGUE

MAPLIN Electronics has radically redesigned its bi-annual catalogue. It is segmented into seven discrete product "worlds" of Communications, Components and Cable, Computers, Electrical, Leisure and Hobbies, Sound and Vision, and Tools, encapsulating all the existing product sections found in previous catalogues. The new catalogue contains around 20,000 products, reduced by rationalising the range from the previous 37,000 or so items.

The new catalogue includes many additional features, including substantial price reductions, over £50 worth of vouchers and improved photography.

The single CD-ROM catalogue comes with a comprehensive search facility that aids product browsing. Product pictures, technical specifications, an order facility and a data sheet library collectively enhance this latest version.

For more information contact Maplin Electronics, Dept EPE, PO Box 777, Rayleigh, Essex SS6 8LU. Tel: 01702 554000. Fax: 01702 554001. E-mail: bayo.alaba@maplin.co.uk. Maplin have also just redesigned and relaunched their web site at www.maplin.co.uk.

RCD TESTER



LEM UK tell us that in line with increased demand for accurate test instruments that are simple to use, they have developed the new V-check voltage and continuity tester. This has all the features you would expect from a simple tester of this type, but it also has the ability to check the operation and wiring of RCDs (residual current devices, or circuit breakers) by means of an automatic internal load.

V-check measures voltages from 9V to 700V a.c. and d.c. at a resolution of 0.1V with an accuracy of $\pm 3\%$, even if its internal batteries are completely exhausted. As a continuity tester it has a range from 0 to 500k Ω at a resolution of 2 μ A.

For more information contact LEM UK Ltd., Dept EPE, 1 Penketh Place, West Pimbo, Skelmersdale WN8 9QX. Tel: 01695 720777. Fax: 01695 50704. E-mail: luk@lem.com.

LET'S DO IT

A MOST remarkable CD-ROM has been received here at HQ. Entitled *Let's Do It - The Practical Electronics Book*, it is a really comprehensive tutorial "book" which aims to help you learn about electronics, and to do so in an enjoyable way.

It has been written by Eric Edwards, who spent two years doing so. It is obvious that he has thoroughly enjoyed writing it and utterly delights in everything to do with electronics. Eric describes the work as offering a "fun way of learning by doing". It certainly appears to live up to this description.

The CD-ROM has chapters dealing with how to set up your own workplace, tools, equipment and components needed to get started. Soldering and laying out of components are dealt with, along with details of producing your own p.c.b.s.

In the Applied Theory section, it explains things in a "down-to-earth" fashion. There are experiments and projects splattered throughout the pages. Analogue, digital, radio, TV, computing, and even PICs, are subjects which Eric examines with caring attention.

There is a good reference section which covers symbols, useful formulae, tables and facts, plus acronyms, abbreviations and "rules of thumb". The "book" ends with fault finding and reference to further reading, electronic mags, clubs and associations.

Interspersed with autobiographic reminiscences, this 420-odd pages of practical information really is quite enthralling. The CD-ROM runs in Windows 95/98 under Adobe Acrobat version 4 (which is included) and costs a mere £10, plus £1 p&p (£1.95 Europe, £2.95 rest of world).

Send for your copy to Eric Edwards GFW8LJJ, 11 Old Village Road, Barry, Vale of Glamorgan, CF62 6RA. Tel: 01446 740498. E-mail: gw8ljj@tesco.net.

Hacking Expense

A £15 million project which offers potential defence against the paralysing attacks by Internet hackers is to be funded by the Department of Trade and Industry. Minister Patricia Hewitt said that "We have recently seen to devastating effect how hackers can penetrate and disrupt services offered on the Internet. The six projects I have approved will help us combat these Internet criminals". More information can be found on web site www.dti.gov.uk.

PRECISION TEMPERATURE SENSOR

NATIONAL Semiconductor has launched the LM92, the latest addition to its digital temperature sensor family. The revolutionary LM92 is claimed to be the world's most precise digital temperature sensor with up to $\pm 0.33^\circ\text{C}$ linear accuracy.

In addition to giving a digital temperature readout, the LM92 provides an integral thermal window comparator making the design of complete temperature control systems easy. The upper and lower limits of the window can be programmed via a two-wire serial bus interface.

The device's supply voltage range is 2.7V to 5.5V and a low power (5 μ A) shutdown facility is included. Temperatures between -10°C and 150°C can be monitored.

You can browse National Semiconductor's web site at www.national.com for more information on the LM92, and other National products.

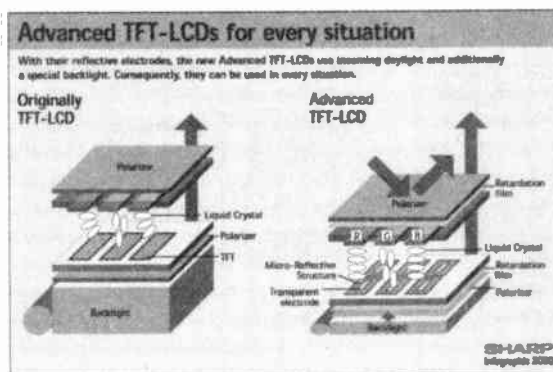
CHEAPER SOLAR PANELS

FROM April 1st this year solar panels qualified for the same reduced VAT rate as applies to domestic fuels, namely 5% rather than 17.5%.

Energy Minister Helen Liddell says "The green technologies offer heat and power without the penalty of emissions. The Chancellor has cut the price of this environmentally sound technology... we are bringing down the cost of both solar hot water systems and PV panels for electricity generation".

More information can be found on web site www.dti.gov.uk.

BETTER NOTEBOOK DISPLAYS



SHARP recently announced that they have developed especially high reflective l.c.d. colour displays which will enable equipment such as notebook computers to be used more readily outdoors. Many of you will be aware that currently displays used in such equipment use backlighting and thus may only be used in a low brightness environment, with the display becoming unreadable in bright sunlight.

The new technology developed by Sharp combines two structures on one substrate, respectively optimised for active backlight (transmissive) or passive ambient (reflective) lighting. Only 0.08 watts are needed in daylight without backlighting, which is the optimal solution for mobile phones and other portable battery operated devices.

A further benefit is that the reaction time is only 50ms, guaranteeing moving pictures without annoying plumes and with a viewing angle always at least 70 degrees in all directions.

For more information browse www.sharpmcd.com.

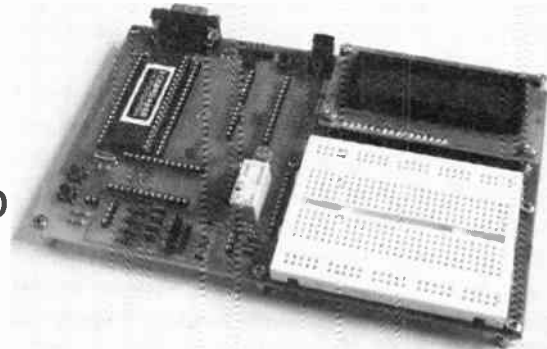
ICEBREAKER

20MHz full speed operation
 PC Serial port connection
 Use With Microchip MPLAB
 Standard MPASM Language
 PCB with solder mask & component ID
 Kit with all components, PIC16F877
 Solderless Breadboard, lcd,
 Serial Lead, and Software
 Kit 900 £34.99

MAGENTA

ELECTRONICS LTD

PIC Real Time In-Circuit Emulator



★ SPECIAL OFFER UNTIL 31st MARCH
 Includes Stepping Motor & Power Supply

135 Hunter Street, Burton-on-Trent, Staffs. DE14 2ST
 Tel: 01283 565435 Fax: 546932
<http://www.magenta2000.co.uk>
 E-mail: sales@magenta2000.co.uk
 All Prices include VAT. Add £3.00 p&p. £6.99 next day

SPECIAL OFFERS

TEKTRONIX 2445A
 4-channel, 150MHz,
 delay sweep,
 cursors/readout
£750

SINAD MEASUREMENTS
 for only
£60

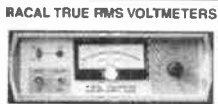
MARCONI 893C
 AF POWER METER
 2.5 ohm-20 kilohms
 300µ Watts-30 Watts, 20Hz-35kHz
 MARCONI 893C unused, boxed £100
 MARCONI 893B - to 10 Watts max.
 NO SINAD £30

GOULD J3B
 SINE/SQ. OSCILLATOR
 10Hz-
 100kHz
 Low distortion
 Balanced metered
 output. Attenuator
**£75-
 £125**

TEKTRONIX 475
 Dual trace, 200MHz,
 delay sweep
£400

**AVO 8 MK. 6 MULTI-
 METER**
 In Ever-Ready Case
 with Leads and Batteries
 Other AVOs from
£50

SOLARTRON 7150
 DMM 6½-digit. TRUE R.M.S. High Accuracy IEEE
**£95-
 £150**



RACAL TRUE RMS VOLTMETERS
 £300 5Hz-20MHz usable to 60MHz, 10V-316V £95
 £300B Version £150
 £301/8302 RF Version to 5GHz from £200-£300

HIGH QUALITY RACAL COUNTERS

9904 Universal Timer Counter, 50MHz £50
 9916 Counter, 10Hz-520MHz £75
 9918 Counter, 10Hz-560MHz, 9-digit £50

RACAL/AIM 9343M LCR Databridge. Digital
 Auto measurements of R, C, L, Q, D £200
HUNTRON TRACKER Model 1000 £125
 H.P. 5315A Universal Counter, 1GHz, 2-ch £80
FLUKE 8050A DMM 4½ digit 2A True RMS £75
FLUKE 8010A DMM 3½ digit 10A £50

**MARCONI 2610 TRUE
 RMS VOLT METER**
 Digital LCD +
 Analogue
 Meter
£195

GOODWILL GFC 8010G
 FREQUENCY COUNTER. Range
 1Hz-120MHz, 8-Digit Display 15mV
 RMS Sensitivity Unused £75

MARCONI TF2015 AM/FM sig gen. 10-520MHz £175
RACAL 9008 Auto Mod Meter, 1-5MHz-2GHz £200
LEVEIL TG200DMP FC Oscillator, 1Hz-1MHz £50
 Sine/Sq. Meter, battery operated (batts. not supplied)
FARNELL LF1 Sine/Sq. Oscillator, 10Hz-1MHz £75

GOODWILL GVT427 DUAL CHANNEL A.C
 MILLIVOLTMETER
 10mV 300V in 12 ranges
 Frequency 10Hz-1MHz

FARNELL L30/2 Bench Power Supply
 0-30 Volts, 0-2 Amps.
 Constant D.C. outputs
 Constant current ONLY **£80**

MANY OTHER POWER SUPPLIES AVAILABLE

STEWART of READING

110 WYKEHAM ROAD, READING, BERKS. RG6 1PL
 Telephone: (0118) 9268041. Fax: (0118) 9351696

Callers welcome 9am-5.30pm Monday to Friday (other times by arrangement)

MARCONI 2022E
 Syn AM/FM SIG GEN,
 10kHz-1.01GHz
 Up to +10dBm output,
 phase mod. i.c.d. display,
 keyboard entry
 small, lightweight
£525-£600-£750

RADIO COMMUNICATIONS TEST SETS
 MARCONI 2855/2950 £2000
 MARCONI 2955A/2960 £2500

MARCONI 2019 Synth AM/FM sig gen, 80kHz-1040MHz £475
H.P. 8657A Synth sig gen, 100Hz-1040MHz £2500
H.P. 8656B Synth sig gen, 100Hz-990MHz £1350
H.P. 8656A Synth sig gen, 100Hz-990MHz £995
GIGATRONIC 7100 Synth sig gen, 10MHz-20GHz £5000
MARCONI 2017 AM/FM phase locked sig gen,
 10Hz-1024MHz, good signal purity £1200
H.P. 8640A AM/FM sig gen, 500kHz-1024MHz £400
H.P. 8640A AM/FM sig gen, 500kHz-512MHz £250
PHILIPS PM5328 sig gen, 100kHz-180MHz with
 20MHz, freq. counter, IEEE £350
RACAL 9081 Synth AM/FM sig g ar, 5-520MHz £350
H.P. 3325A Synth function gen, 2MHz £360
MARCONI 6500 Amplitude Analyser £1500
H.P. 4275A LCR Meter, 10kHz-10MHz £2750
H.P. 8603E Distortion Analyser £750
WAYNE KERR 3245 Inductance Analyser £2000
H.P. 8172A Pulse Generator, 50MHz £1250
DATRON AutoCal Multimeter, 5½-7½-digit, 106½/1061A-1071
 from £300-£600

WELLER EC3100A **£125**
 Temperature controlled Soldering Station
 200°C-450°C Unused

FARNELL AMM255
 Automatic Mct Meter: AM/FM,
 1.5MHz-2GHz, 3.5-Sect i.c.d.
 display Unused £400

Also available:
FARNELL AMM2000 Auto Mod Meter, 10Hz-24GHz Unused £350
MARCONI 2305 Mod Meter, 500kHz-2GHz from £750

SPECTRUM ANALYSERS

H.P. 8662A 1Hz-22GHz £3800
TEKTRONIX 492 5MHz-18GHz £3500
EATON/VAITECH 757 0.001-22GHz £2500
ADVANTEST R3281A 9kHz-2.6GHz, synthesised £4000
H.P. 853A (Dig. Frame) with 8559A 100kHz-1GHz £2750
H.P. 8558B with main frame, 100kHz-150MHz £1250
MARCONI 2302 100kHz-400MHz, high resolution £2000
B&K 1033R Signal Analyser £1500
ADVANTEST TR4131 10kHz-3.5GHz £2750
MARCONI 2370 3kHz-110MHz from £500
H.P. M1 SYSTEMS
 8553 1kHz-110MHz from £500
 8554 500kHz-1250MHz from £750
 8555 10MHz-18GHz from £1000

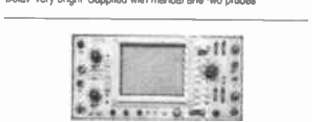
UNUSED OSCILLOSCOPES
TEKTRONIX TDS350 dual trace, 200MHz, 1GS/s £1500
TEKTRONIX TAS485 4-channel, 200MHz etc. £1100
H.P. 54600B dual trace, 100MHz, 20MS/s £1000

OSCILLOSCOPES
PHILIPS PM3032 2+2-ch., 200MHz, delay, TB etc. £950
PHILIPS PM3082 2+2-ch., 100MHz, delay etc. £800
TEKTRONIX TAS485 dual trace, 100MHz, delay etc. £800
TEKTRONIX 2845 4-ch., 300MHz, delay sweep cursors £1250
TEKTRONIX 2430 dual trace, 150MHz, 100MS/s, cursors etc. £900
TEKTRONIX 2232 dual trace, 100MHz, 20MS/s, cursors etc. £900
TEKTRONIX 2212 dual trace, 60MHz, 20MS/s, cursors etc. £650
TEKTRONIX 221C dual trace, 50MHz, 20MS/s £450
H.P. 14200A Digitising, 50MHz, 200MS/s £800

PHILIPS PM3217 - Dual
 Trace 50MHz Delay
 VERY GOOD
 OSCILLOSCOPE
 Incl 2 probes, pouch
 & Front cover
£250-£300

FROM **£250-£300**

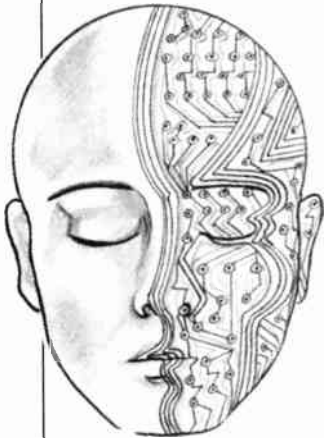
**THIS IS THE BEST
 CHEAP SCOPE
 YOU WILL EVER
 BUY!** **£200**
GOULD 05110e - Dual Trace, 30MHz
 Delay Very bright! Supplied with manual and two probes



TEKTRONIX 400 SERIES
468 Digital Storage Dual Trace 100MHz Delay £550
466 Analogue Storage Dual Trace 100MHz Delay £250
465 Dual Trace 350MHz Delay Sweep £750
473 Dual Trace 250MHz Delay Sweep £400
465 Dual Trace 100MHz Delay Sweep £400

Used Equipment - GUARANTEED. Manuals supplied
 This is a VERY SMALL SAMPLE OF STOCK. SAE or Telephone for lists.
 Please check availability before ordering.
CARRIAGE all units £16. VAT to be added to Total of Goods and Carriage

INGENUITY UNLIMITED



Our regular round-up of readers' own circuits. We pay between £10 and £50 for all material published, depending on length and technical merit. We're looking for novel applications and circuit tips, not simply mechanical or electrical ideas. Ideas *must be the reader's own work and not have been submitted for publication elsewhere.*

The circuits shown have NOT been proven by us. *Ingenuity Unlimited* is open to ALL abilities, but items for consideration in this column should preferably be typed or word-processed, with a brief circuit description (between 100 and 500 words maximum) and full circuit diagram showing all relevant component values. **Please draw all circuit schematics as clearly as possible.**

Send your circuit ideas to: Alan Winstanley, *Ingenuity Unlimited*, Wimborne Publishing Ltd., Allen House, East Borrough, Wimborne, Dorset BS21 1PF. They could earn you some real cash and a prize!



WIN A PICO PC BASED OSCILLOSCOPE

- 50MSPS Dual Channel Storage Oscilloscope
- 25MHz Spectrum Analyser
- Multimeter • Frequency Meter
- Signal Generator

If you have a novel circuit idea which would be of use to other readers then a Pico Technology PC based oscilloscope could be yours. Every six months, Pico Technology will be awarding an ADC200-50 digital storage oscilloscope for the best IU submission. In addition, two single channel ADC-40s will be presented to the runners-up.

Voltage Booster – High Voltage From A 5V Supply

DIGITAL circuits operating from 5V regulated supplies are common but occasionally a higher voltage is required, perhaps for a bio-medical circuit, or for liquid level measurement or for monitoring high resistance contacts. For such circuits a means of generating a high voltage from the 5V supply can be a solution. Diode/capacitor multipliers can offer advantages over switched-mode circuits, since they do not use inductors, are easier to design and trouble-shoot and often generate less radiated interference.

The principle of the voltage multiplier is fairly well known. A capacitor is used with a square wave drive signal to "pump" current through a pair of diodes, roughly doubling the supply voltage. A series of such stages can be cascaded to raise the voltage in multiples of the supply, but it is possible to improve efficiency and reduce the number of stages by using two driving signals with opposite phases. However, each diode incurs a drop of about 0.6V so with two diodes per stage, and with an initial supply of just 5V this becomes significant, leading to poor efficiency and an impractical number of stages.

These problems are overcome in the Voltage Booster circuit design of Fig. 1 by increasing the voltage before multiplication with IC1, an SI7660 "negative rail generator" (not the ICL7660 – ARW). The additional negative supply is generated very efficiently since switching is performed not by diodes but by CMOS switches in the i.c., which cause almost no voltage loss at low currents.

Pin 2 of this i.c. also drives a diode multiplier which, even though it does suffer from diode voltage drops, still generates about +8.8V. With a minimum of components this device generates a pair of supply rails with an overall potential of more than 13.5V.

This voltage is supplied to IC2, a 4047B used as an oscillator whose frequency is set to about 400Hz by resistor R1 and capacitor C6. The oscillator employs an internal divide-by-two stage so that the outputs at pin 10 and pin 11 are complementary 200Hz square-waves with perfect 1:1 duty cycles, ideal for multiplier driving.

With just the five diodes D3 to D7 shown, the circuit generates 60 volts with no output load. The output may be treated as having a fairly linear source resistance of about 200k since a drop of about 10V results for each 50µA of current drawn. In other words it will sustain 50V across a 1M resistor, or about 40V across one of 390k.

At no load the quiescent current was measured at just 650µA rising to about 1.9mA at 100µA load. The capacitors used were all resin-dipped ceramic types, though other non-electrolytic types with suitable voltage ratings could be used. The diodes are inexpensive 1N4148 signal types.

Increased output power could be obtained by using a higher frequency for IC2 and larger capacitors for C2 and C3, though this

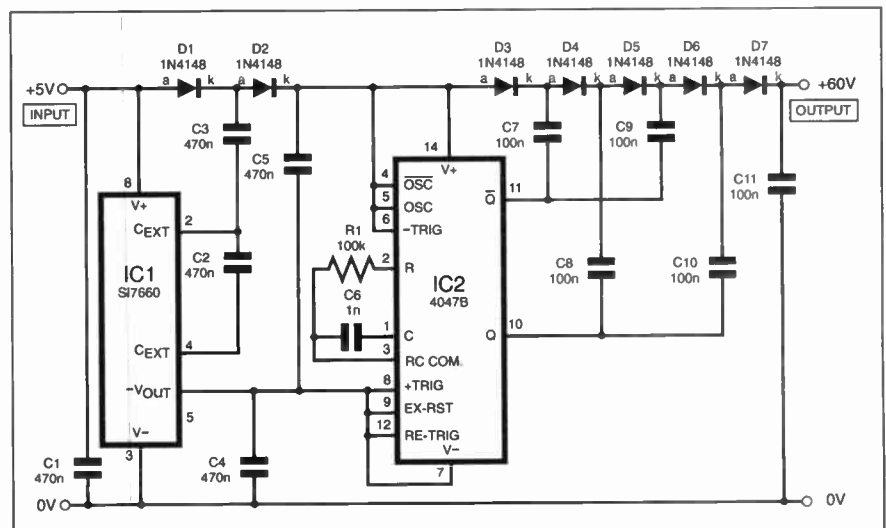


Fig.1. Circuit diagram for a Voltage Booster. Will boost a 5V input up to about 60V, off load.

would increase the standby current. More (or less) stages in the multiplier chain could be used to obtain different output voltages if needed.

Finally, the value of capacitor C11 could be increased to allow the build-up of a larger charge, but this would obviously cause a time lag at switch-on or discharge. The circuit reaches full output voltage in well under a second.

Andy Flind,
Taunton, Somerset.

WHY NOT SEND US YOUR CIRCUIT IDEA

Earn some extra Cash and possibly a Prize!



INTERFACE

Robert Penfold



POWER FROM THE SERIAL OR PARALLEL PORT

FROM time to time readers query how some readymade serial and parallel port devices manage without a power source. It has to be remembered here, that PC parallel and serial ports do not include any power supply outputs.

In some cases the device concerned is something quite basic that uses l.e.d.s and low power reed relays that can be driven direct from the port's outputs. In other cases the add-on provides a function such as analogue-to-digital or digital-to-analogue conversion, and clearly power is required from somewhere.

Psychic Experience

A few years back I had a so-called "out of computer" experience which illustrates how power can seemingly be conjured out of nowhere. An analogue-to-digital converter was being tested, and seemed to have a lower full-scale voltage than was expected. The supply voltage set the full-scale value, so the supply potential was duly tested. It was then that I noticed that the power supply for the project was not actually switched on!

Measuring the supply voltage produced a reading of about 3.55V, which was more than the minimum of 3V required by the converter chip. A little investigation showed that the supply was in fact being provided by an unused output of the computer's parallel port that had accidentally become connected to the converter's +5V rail, and not by psychic energy.

Minimalism

It may seem like "pulling yourself up by your bootlaces", but some projects can actually be powered from one or more output lines of a parallel or serial port. Any lines used to supply power are not available for other purposes, but there are often one or two spare outputs available.

As one would probably expect, the power levels available are quite low. Tests on some parallel port outputs showed an unloaded potential of about 4.4V, falling to 3.2V with a 1k (kilohms) load resistance. This equates to an output current of 3.2mA.

Clearly many projects cannot be operated from such a power source, but some interface chips can operate down to 3V or even less, and require low supply currents. Simple circuits based on CMOS chips, provided they do not operate at high frequencies, also have low current requirements and can operate at supply potentials as low as 3V.

With some interface circuits it is the supply voltage rather than the current that is the problem. Many interface chips require something close to a standard 5V logic supply potential, and an unloaded supply potential of 4.4V is inadequate.

Helping Hand

The circuit diagram of Fig.1 shows one way of obtaining a loaded supply potential of 5V, but two handshake outputs are required. The basic idea is to power an oscillator from one output line, which in this example is the Strobe line. The output from the oscillator is rectified and

smoothed to produce a positive d.c. signal that is added to the voltage from another output, which is the Auto Linefeed (ALF) output in this case.

A set up of this type is potentially less effective than just using the direct output of a single output line. For it to work reasonably well the oscillator must have a very low current consumption, and for this reason IC1 must be a *low power* 555 timer and not a standard NE555.

In fact, some low power 555s work better than others in this circuit, and a TLC7555 gives somewhat better results than a TLC555, presumably due to its lower supply current. The values of timing resistors R1 and R2 have been made high so that the timing circuit consumes a minimal amount of power.

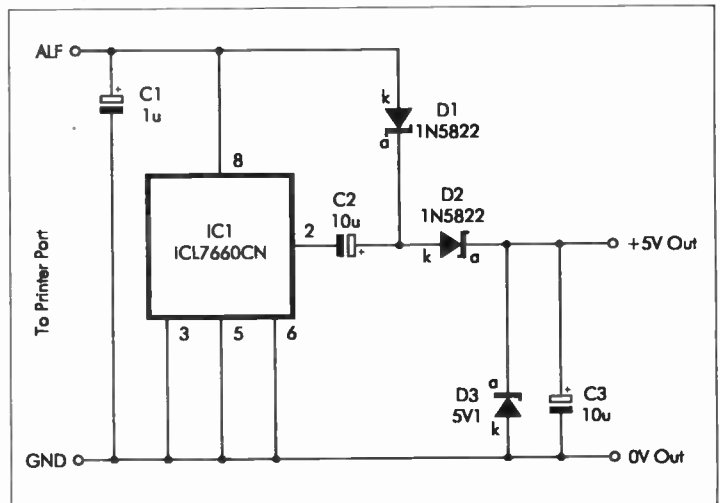


Fig.2. Producing a +5V output from a single handshake output

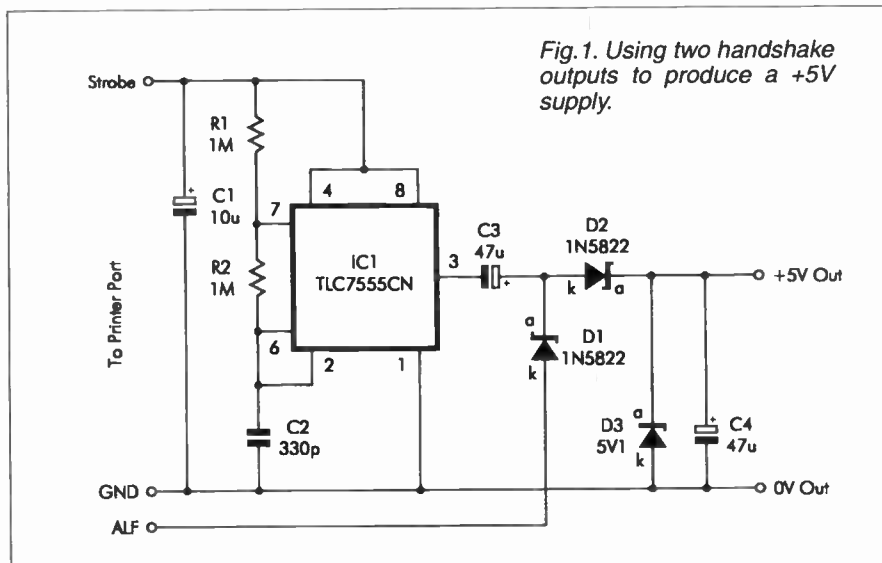


Fig.1. Using two handshake outputs to produce a +5V supply.

The circuit does not work too well with silicon rectifier diodes used in the D1 and D2 positions due to the relatively high voltage drop through this type of rectifier. Germanium diodes give better results, but for optimum performance Schottky diodes or rectifiers should be used.

With the output unloaded something less than true voltage doubling is obtained and the output voltage is a little under 8V. This drops to about 4.9V when loaded at about 2mA to 2.5mA.

Zener diode D3 should be included if it is important that the output voltage does not exceed more than about 5V. This Zener diode simply loads the output down to a little over 5V even with no load connected.

With the output loaded down to about 5V or less Zener diode D3 does not conduct significantly, and wastes little or none of the output current. Omit D3 if you simply require the highest possible supply voltage, to power a low current operational amplifier perhaps.

Increased Efficiency

The circuit diagram of Fig.2 shows a more efficient way of obtaining a

5V supply, and this requires only one output line (ALF). It is based on the ICL7660, which is specifically designed for various forms of d.c. to d.c. conversion. This device is more expensive than a low power 555 timer, but it offers significantly better efficiency.

This circuit has similarities with the previous one, and it operates in basically the same fashion. When used as a voltage doubler the ICL7660 simply acts as an oscillator that drives an external rectifier and smoothing circuit.

The positive voltage produced by this circuit is added to the supply input to produce a voltage doubling action. The rectifier and smoothing circuit used here is identical to the one used in the circuit of Fig.1.

Although it uses only a single output line as the power source, this circuit actually performs rather better than the circuit of Fig.1. The unloaded output voltage with Zener diode D3 removed is a little over 8V, and an output current of around 3 milliamps is needed in order to load the output down to around 4.9V. This clearly loads the output line quite heavily, but not heavily enough to risk damaging the parallel port's hardware.

Negative Thoughts

The ICL7660 is primarily intended for operation as a *negative* supply generator, and it can generate a negative supply using a parallel port output as the power source. The circuit diagram for a negative supply generator is shown in Fig.3. This circuit does not provide a true -5V output, because the input supply will be less than 5V, and there are losses within the conversion process. With no load there is typically about -4.25V at the output, which falls to about -2.9V with a 1k load resistance.

A supply of this type is useful for some analogue-to-digital converters that require a low voltage and low current supply for the input stage. It can also be used with operational amplifiers where a low voltage negative supply is needed in order to permit the output to operate right down to the 0V supply rail potential.

The negative supply generator works on a different principle to that of the voltage doubler circuit, and avoids the need for an external rectifier circuit. IC1 contains a double-pole double-throw (d.p.d.t.) electronic switch that is controlled by the built-in oscillator. This switch repeatedly connects capacitor C2 to the input supply and then to the output, transferring a small charge from the input to the output each time this occurs. Of course, things are arranged so that the output has the necessary negative polarity.

Unlike mechanical switches, their electronic counterparts have significant "on" resistances, and there are some losses from the input to the output. At low currents these are quite small though, and most of the inefficiency of the circuit is caused by the current consumption of the ICL7660 itself.

Serial Power

Tapping off power from a serial interface is somewhat easier than getting power from a parallel type, because the outputs operate at slightly higher voltages and currents. Also, serial

signals use positive and negative voltages, making it easy to produce a supply of either polarity.

Nominal signal voltages are *plus* and *minus* 12V, but the actual unloaded signal voltage can vary a volt or two either side of this figure. The available current is greater than that from a parallel port, but is still not very large. Drawing 10mA reduces the output potential to around 5V.

The transmitter output terminal could be used as a power source, but this will obviously be used for its intended purpose in most serial add-ons. The DTR and RTS handshake lines are more realistic options, since most serial add-ons do not utilize any form of hardware handshaking.

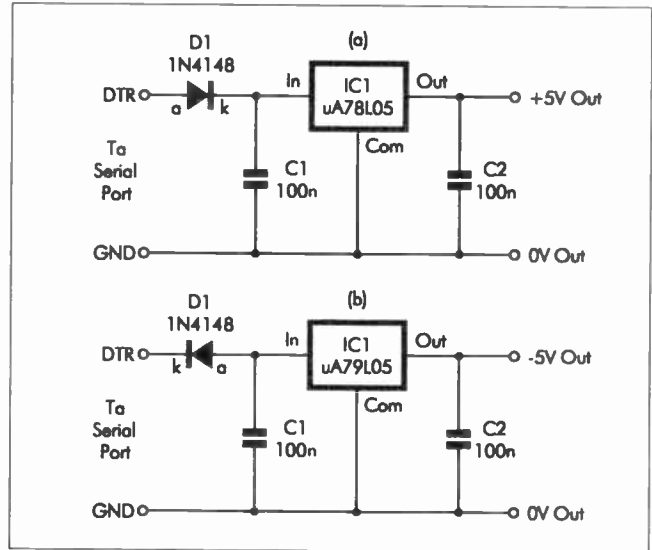


Fig.4. Obtaining a +5V output and (b) obtaining a -5V output from a serial port handshake output.

output current of up to about 8mA should then be available. Although the circuit is shown as being driven from the DTR line in Fig.4, the RTS line is equally suitable.

Two Heads

By using both handshake lines and both circuits it is possible to obtain dual balanced 5V supplies. Alternatively, using a simple diode mixing circuit at the input, as in Fig.5, enables two handshake lines to drive one regulator circuit. Fig.5a is for a positive supply and that of Fig.5b is for a negative supply. When compared to a circuit using a single handshake line, this method enables approximately double the output current to be achieved.

Tapping off power will normally require some additional circuitry, and only limited voltage and current levels will be available. On the other hand, where this method of powering a circuit is possible it offers a neater solution than using a separate power supply or batteries.

However, do not forget that a +5V supply is available from the game port that is present on most PCs, and from the USB ports that are a standard feature on modern PCs. In either case currents of at least an amp are available.

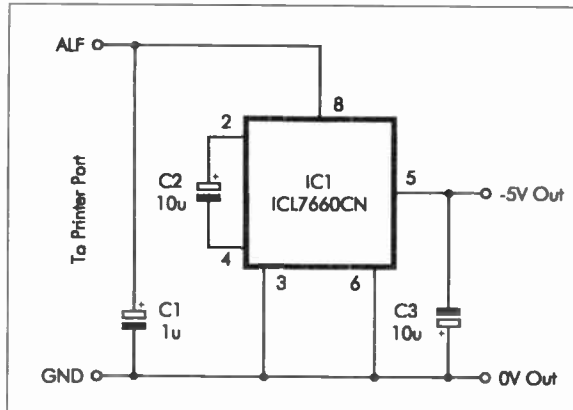


Fig.3. Using the ICL7660CN to produce a negative supply.

The circuit diagram of Fig.4a shows how a handshake output can be used to provide a regulated +5V supply, and Fig.4b shows the equivalent circuit for a -5V supply. The circuits are essentially the same, but using a positive or negative 5V monolithic voltage regulator (IC1), as appropriate. Diode D1 protects the regulator against an input of the wrong polarity.

Obviously the handshake line must be set to the correct polarity if it does not assume the right polarity by default. In a previous *Interface* article it was mentioned that direct control of the serial port handshake lines seemed to be difficult, but several readers pointed out that it is actually possible. In fact some programming languages such as Delphi have built in facilities to control these lines, so there should be no real problem here.

The maximum current available will vary somewhat from one port to another, but a minimum of around 6mA should be available. For the highest possible output current D1 should be a Schottky diode or rectifier and IC1 should be one of the modern regulators that has a low current consumption and dropout voltage. An

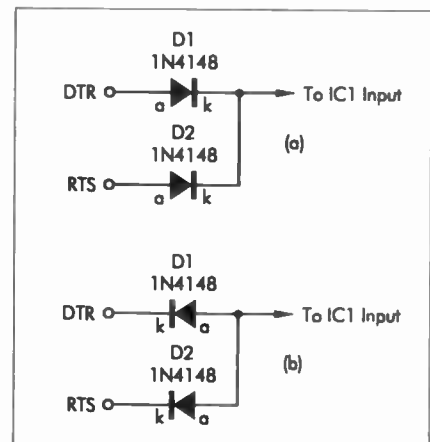


Fig.5. Using two handshake outputs to obtain higher output currents.

New Technology Update

Ian Poole reports that the latest fuel-cell technology, using methanol and sodium hydroxide, promises vastly improved performance as well as being environmentally friendly.

TECHNOLOGY is now an ever-increasing part of everyday life and one of the effects of this has been the dramatic rise in the use of portable electronic equipment, lap-top computers and mobile phones being just two examples. Traditionally a variety of forms of battery power have been used to drive electronic equipment and, as a result of this growth, battery technology has undergone significant development.

Nickel Cadmium (NiCad) cells have given way to Nickel Hydride (NiMH) ones and many new pieces of equipment are being powered by new technologies like Lithium Ion (Li-ion). These have a much higher power density than both NiCad and NiMH technologies. Yet despite these developments portable power is still a major problem.

Fuel Cells

One idea that is gaining acceptance is the idea of using fuel cells. These have been known for many years, but until recently their use has been comparatively limited.

It is surprising to find that the idea for them was discovered as early as 1839, but it took until 1950 before the first practical working cells were available. However, it was during the US space programme that they first came into their own, and now they provide most of the electrical requirements for the space shuttle.

Essentially, these devices are a form of chemical electrical generator. Energy is supplied to the fuel cell in the form of chemical fuel, and this is converted into electrical energy. Their main advantage is that they have a very high energy density.

Accordingly, their weight and size for the available power is very much higher than that which can be obtained using conventional battery technology. This makes them highly attractive for applications associated with portable electronic equipment where time between charges and the amount of power that can be consumed limit performance and flexibility.

The cells consist of a positive and negative electrode separated by what is known as a proton exchange membrane. The electrodes themselves are coated with platinum and this acts as a catalyst to enable the reaction to take place at a suitable rate.

As the hydrogen, or in some cases a hydrogen rich hydrocarbon, like methanol, is passed into the cells it comes into contact with the negative electrode where it splits into two: electrons and positive ions. In the case of a hydrogen atom the positive ion is a proton, and this gives its name to the separator.

The electrons leave the cell through the negative electrode and the positive ions

move across the separator membrane and come into contact with the oxygen molecules. Here they combine along with electrons returning to the cells through the positive electrode.

As long as fuel is supplied to the cell, energy is produced, and unlike primary cells they do not have to be discarded after a short while.

New Concept

With the idea of producing a practical form of fuel cell a number of organisations are moving forward their development plans and the results are beginning to hit the news. For example, Motorola recently announced they are developing a fuel cell in conjunction with the Los Alamos National Laboratory. Development is in its relatively early stages and unfortunately this means that the cells will not be available in a commercial form for between three and five years.

The cell will be very small and last up to ten times as long as a battery, it will be able to power portable electronic equipment including cellphones, lap-top computers and a variety of other equipment. With this capacity it is envisaged that one of these fuel cells could power a cellphone for up to a month.

The prototype cells measure just an inch square and they are less than a tenth of an inch thick, they use methanol as the fuel along with oxygen obtained from the air. The plan is that the cells will use replaceable methanol filled cartridges. These would be rather similar to ink cartridges used in some fountain pens and the idea is that they would be just as easy to fit.

This will remove the need for bulky battery chargers that are currently required. This is a great advantage because it has been found that business people do not like carrying chargers around.

The other advantage is that the fuel cells with their cartridges are much smaller and lighter than their equivalent battery counterparts. This is a major advantage as anyone who has had to take a lap-top computer around with them will echo.

Development

Whilst fuel cells offer many advantages they have not been used for consumer applications for a number of reasons. One of their main disadvantages is that they produce a relatively low voltage, and this means that several cells are required in series to produce the required output voltage. When this is done the new fuel and spent products are more difficult to move, requiring fans and pipe-work, making them larger, heavier and less convenient to use.

The new development from Motorola uses a methanol based design that generates 0.8 volts output, although this drops to 0.5V under load. To raise this to the 3V that is usually required a switching regulator is employed. To achieve this, techniques have been used to enable it to operate efficiently from the 0.5V input.

Whilst a large amount of development has been undertaken to improve the performance of the fuel cells themselves, the key to the success of this development is the switching regulator. Currently levels of efficiency between 85 per cent and 90 per cent are being achieved using discrete circuitry. Ultimately an ASIC will be used, and the circuit will be optimised to give a higher level of efficiency.

Environment Friendly

In the USA a large amount of research into fuel cells has been undertaken. Much of this has been funded by the US government and as a result of this many of the products have only been available in North America. Now many of them are reaching European shores although most are aimed at relatively high power applications.

In one such development a company named Powerball uses plastic coated sodium hydroxide pellets or balls that react with water to produce hydrogen. This reaction is performed in a special tank that regulates the flow of hydrogen to the cell, providing the required amount of fuel. An ingenious method of inserting the ball into the tank removes the outer plastic protective coating, enabling the reaction to take place.

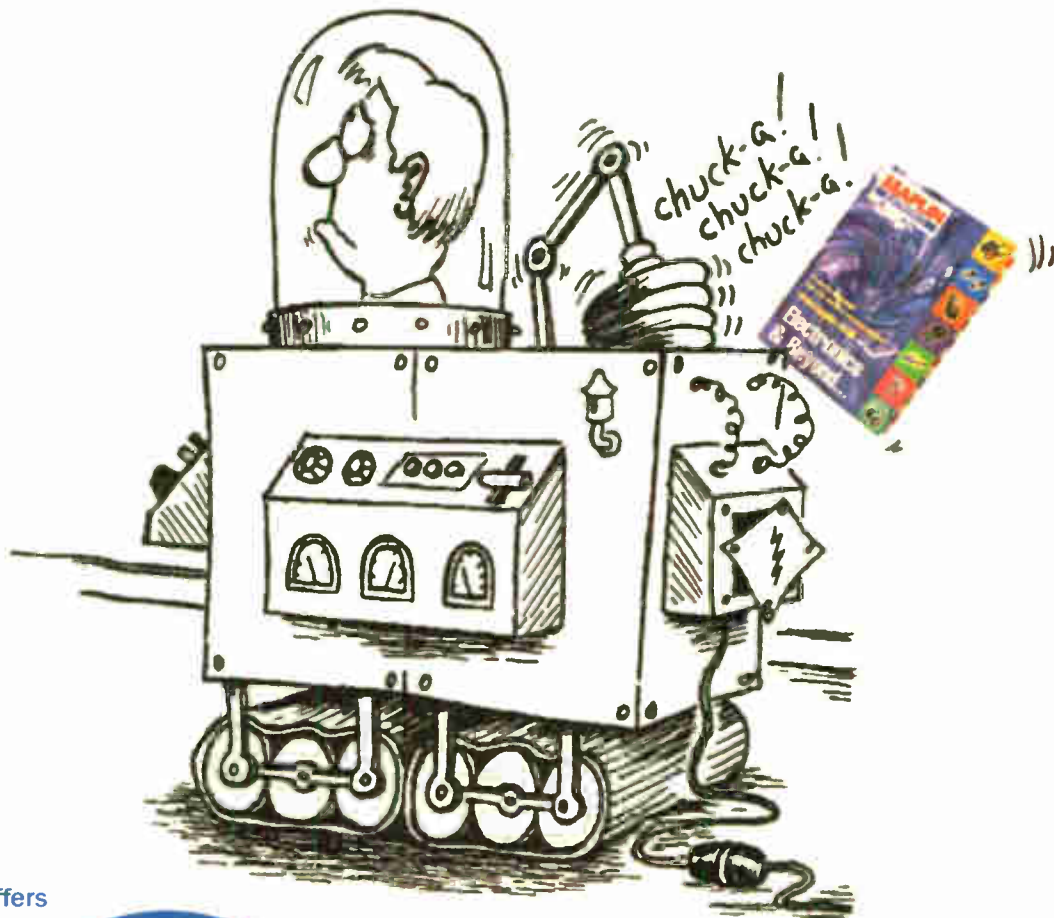
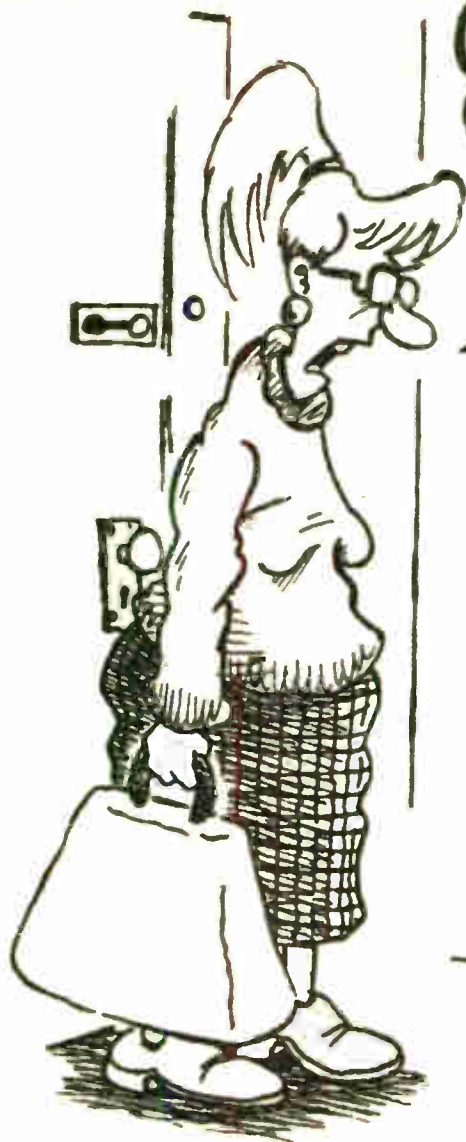
Sodium hydroxide was chosen because of its abundance and low cost. It is a by-product obtained from the production of soap and plastic processing, and it is one of the most widely produced chemicals in the world. Not only is there a good supply, but it is also relatively cheap.

Another advantage is that it is also relatively environmentally friendly as the sodium can be recycled and no harmful carbon dioxide is produced. In fact, such is the interest in this technique that some UK organisations are looking at powering electric vehicles using it.

The Future

With the large amount of development being invested in fuel cell technology, and their advantages in terms of environmental issues, it is likely that far more will be seen of them in the coming years. Not only will they be used for powering portable electronic equipment, but also as a means of powering electrical equipment and even cars.

HONESTLY JERRY, WHEN
I SAID JUST RUSTLE
SOMETHING UP I WAS
TALKING ABOUT
DINNER!



Maplin Electronics' NEW catalogue offers many products including electrical and electronic components, data and computer parts - enabling you to rustle up whatever you like, whenever you like!

Includes
£50
worth of
FREE
vouchers

NEW AND IMPROVED!



Catalogue
for only
£3.99
CD Rom
for only
£1.99

MAPLIN
ELECTRONICS

To order call 0870 264 6000
quoting reference AD001
or visit your local store.

www.maplin.co.uk

No postage or package will be charged for catalogues purchased via mail order. The catalogue is **ONLY** available through Maplin stores, mail order or the internet.

We accept the following cards for telephone orders

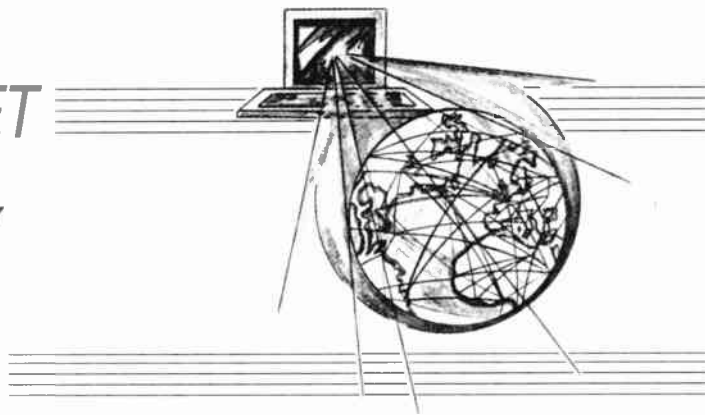


E & OE. All Trademarks acknowledged. All prices inc. VAT. All prices correct at time of going to press. All prices are subject to change without notice, all offers are subject to availability.

World Radio History

NET WORK

ALAN WINSTANLEY



THIS month's *Net Work* looks at what's happened to CompuServe, and for those who are starting to write their own web pages I offer a simple tip for redirecting users to a new web site.

Back in 1994, we started to think about creating an Internet presence to support *Everyday Practical Electronics* users. At that time there weren't many options available in the UK. Connectivity was slow (9.6 or 14.4kbps), and you needed to be a computer genius to set up a 386 or 486 PC for the Internet, perhaps upgrading the serial port UART in the process. The web and E-mail hardly existed, so only a minority of users actually saw the need for installing an expensive modem anyway. Windows 3.1 did not support Internet networking, so you had to find and install the necessary "winsock" files yourself, or you could persevere and use DOS instead.

DEMONIACAL

UK companies such as CIX and Demon Internet were amongst the very limited choice of services available and along with 20,000 other early adopters I signed up with Demon.

Initially, we actively considered hosting an electronics forum on CompuServe, as this was the most accessible and popular service at the time. Every cover floppy disk boasted "free software" which usually meant the standard CompuServe offering of WinCIM (Windows CompuServe Information Manager) 2.0 or 3.0. This self-installing software was the choice of many Internet PC and Mac users, most of whom belonged to the managerial, professional and technical classes rather than the broad consumer market of today. CompuServe shielded its users from the chaos of the Internet by building a wall around its own proprietary system of E-mail and forums, and only later did it become possible to access external Internet sites more readily. You also needed extra commands to send CompuServe E-mail to Internet users.

Trying to run an alternative ISP alongside CompuServe's software was a challenge. It was very proprietary stuff, and worse, integrating a web browser (CompuServe started out with Spry Mosaic) was not easy, especially if you had already installed a browser of your own (usually Netscape Navigator). Other than that, WinCIM offered the best all-round package and was usually the easiest option for non-technical users to install.

SELF-CONTAINED PROVIDER

CompuServe prides itself on being a completely self-contained Internet Content Provider which concentrates its resources in a consistent format. Its system of conferences and moderated forums provide information on a very wide variety of topics, including medical, law, publishing, computing and much more. The moderation aspect is a comfort to users who dislike the aggression (or sheer anarchy sometimes) that will be found in, say, a Usenet newsgroup. Extended CompuServe services are available for additional subscriptions.

CompuServe forum administrators (the independents who managed the forum's resources and daily content) received a percentage royalty based on the number of hours that ordinary users accessed that forum. This paid for the administrator's running costs and time.

In my own experience I found that some forum "churn rates" – how quickly messages were turned over – were almost supersonic, leaving me feeling frustrated and making the forum a waste of time and money. In some forums, messages were deleted in under 24 hours. This meant that you had to access the forum frequently to read any follow-ups, which had the disadvantage of racking up the phone bill (and sometimes your CompuServe bill too). I did have more success in other forums though, but the process was still slow, long-winded and relatively expensive.

In the end we adopted the web and settled on a plain PPP Internet account, and so epemag.demon.co.uk was born in 1995. The web

and FTP sites followed later. In comparison to using a raw Internet connection – when I could E-mail, use FTP, surf the web, and mail file attachments to my heart's content – I found that my CompuServe WinCIM began to look increasingly creaky, in spite of the pretty front-end graphics it used to download at intervals onto my machine (at my expense).

COMPUSERVE UPGRADE

A new PC arrived with a later version of WinCIM preinstalled, so I decided to fire it up. Having become accustomed to using my own E-mail client, a separate browser and separate FTP software, I found the CompuServe browser-based software quite strange and not a little bewildering. More recently I tried the very latest CompuServe 2000 package, and found the entire upgrade process fraught with problems. CompuServe 2000 left me cold, and in the event I ditched the idea of the upgrade, and rapidly de-installed it. Then having concluded that I had outgrown the system altogether, I decided to cancel my account.

It took quite some time to find out how to do this. It involved logging in to CompuServe (needing to resurrect my software for this purpose, and using my old-style user ID number, after finding my very old password) and then finding the relevant member's area. Cancellation involved having to telephone CompuServe, but the Customer Service phone number displayed on the appropriate web page was non-existent.

Eventually I did get through, and the cancellation process involved an attempt by the agent to talk me into switching to the CompuServe 2000 software. I explained that I'd already decided it was far too weird for my tastes. Not one to give up, the agent then offered to switch me to a "pay as you go" tariff, so that my CompuServe web pages would still be alive, and I would just be charged for actual access time. I decided to accept this compromise (well you never know, but don't hold your breath, I thought).

URL REDIRECTION

CompuServe works well for some users (especially if they travel abroad) but the non-standard front end is not for everyone. I had already anticipated closing my CIS account well in advance by placing a web page on "Our World" which redirects users to my current web site. If you delete a web page, you never know when someone might try to access it in the future. The URL may be bookmarked in someone's Favorites. Moving a web site needs thinking about, with some advance planning being necessary. You can do yourself a favour by redirecting users to your new page instead, especially if it's a commercial site. You can do this by putting a META Tag into your "old" page as follows:

```
<HTML>
<HEAD>
<TITLE>Welcome to my old page</TITLE>
<META HTTP-EQUIV="REFRESH"
CONTENT="2;URL=mynewpage.html"></HEAD>
<BODY BGCOLOR="#FFFFFF"#000000">
<!--this is just a redirector page-->
<H3>This page has moved. I'm redirecting you to my new
place in two seconds.</H3>
</BODY>
</HTML>
```

The Content="2;URL=mynewpage.html" tag refreshes the browser by redirecting the user to the new URL after two seconds, or whatever delay you prefer.

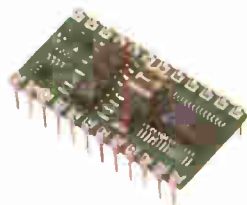
I finish this month's column with a challenge – find my old CompuServe home pages and watch it redirect you to my present site! You can contact me by E-mail to alan@epemag.demon.co.uk. My home pages are at homepages.tcp.co.uk/~alanwin.

CONTROL & ROBOTICS

Milford Instruments

BASIC Stamp Microcontrollers

Still the simplest and easiest way to get your project or development work done. BASIC Stamps are small computers that run BASIC programmes. With either 8 or 16 Input-Output pins they may be connected directly to push-buttons, LEDs, speakers, potentiometers and integrated circuits such as digital thermometers, real-time clocks and analog-digital converters. BASIC Stamps are programmed using an ordinary PC running DOS or Windows. The language has familiar, easy-to-read instructions such as FOR...NEXT, IF...THEN and GOTO. Built-in syntax make it easy to measure and generate pulses, read push-buttons, send/receive serial data etc. Stamps from **£25** (single quantities), Full development kits from **£79**



Full information on using BASIC Stamps plus lots of worked projects and practical electronics help. CD-ROM also includes 30+ past magazine articles and Stamp software. **£29.95**

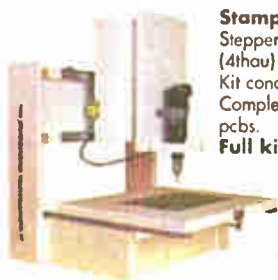


New to PICs or just wanting to learn more tricks? We stock the excellent PIC primer books from David Benson - suitable for the complete beginner to the advanced user.



SERIAL LCDs

Banish the hassle of interfacing to LCD displays. We stock a comprehensive range of alphanumeric and Graphic LCDs - all with an easy-to-use standard RS232 serial interface. Sizes from 2x16 to 4x40 plus 128x64 graphic panels. Prices start at **£25** (single quantity)



Stamp2 based 3-axis machine
Stepper drive to X, Y and Z axes with 0.1mm (4thou) resolution. Kit contains pre-machined frame components. Complete with Windows software for drilling PCBs. **Full kit at £249, Part kit at £189**

StampBug

Stamp1 based walking insect. Forwards, backwards and left/right turn when feelers detect object in path. Up to 2 hours roving from 4xAA Nicads. Chips pre-programmed but programme may be changed (software supplied). Body parts pre-cut. **Full kit £68**



TecArm4

New range of robotic arms for educational and hobbyist use with super powerful servos. Controlled from PC (Windows freeware provided) or from optional keypad. Stands about 450mm high when fully extended. Kit includes all pre-cut body parts, servo controller board, servos and software. Requires 9v Dc. Kits start at **£189**



Alex- Animated Head

Stamp2 based controller with voice record-playback capability, PIR input and/or random playback. 4-servo actions are recorded/edited one track at a time. May also be controlled from PC. **Head kits start at £29. Controllers from £29**



BigFoot

Stamp1 based walking humanoid. Walks forwards/backwards with left and right turn when detects obstacles. Electronics PCB pre-built and tested. Programme pre-loaded but may be changed with supplied software. **Full kit £68**



On Screen Display
Superimpose text onto standard CCTV from simple RS232 serial line. Ready built/tested at **£59**

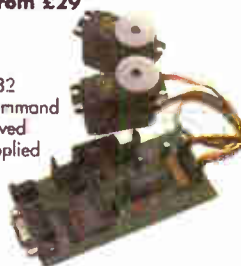
IR Decoder Board

Control your project using a standard domestic IR remote. 7 Output lines (5v @ 20mA) may be set to momentary or toggle action. Simple teaching routine. Requires 9-12vDc. Supplied built and tested. **£29 single quantity**



Servo Driver Board

Control up to 8 standard hobby servos from an RS232 serial data line using this controller board. Simple command structure holds servos in position until update is received. Fully built and tested - requires 9vDC and servos. Supplied with Windows freeware. **£29 single quantity.** Optional keypad available.



Milford Instruments

120 High Street, South Milford, LEEDS LS25 5AQ
Tel: 01977 683665 Fax: 01977 681465

All prices exclude VAT and shipping.

BASIC Stamp is the registered trademark of Parallax Inc. For further details on the above and other interesting products, please see our web site - www.milinst.demon.co.uk

AUTOMATIC NIGHTLIGHT

ROBERT PENFOLD



This latest, low-cost, starter project is sure to be a turn-on. Just a gentle tap or clap will trigger it into life.

THIS simple nightlight starter project is switched on simply by tapping on the case, or gently clapping one's hands close to the unit. The low power bulb then switches on for approximately five minutes, but it can be switched off at any time by operating a Reset button on the top of the case.

The unit was primarily designed with children in mind, but it could obviously be a useful gadget for adults as well, particularly disabled people. It is battery powered and is therefore safe for use by small children. The simple circuit and lack of mains power also makes this project suitable for construction by complete beginners.

SYSTEM OPERATION

The block diagram of Fig.1 helps to explain how the Automatic Nightlight functions. It is based on a monostable, which is simply a circuit that provides an output pulse of a certain duration each time it is triggered. In this case we require the light bulb to be switched on for about five minutes, and the timing components in the monostable are therefore chosen for an output pulse of this duration.

The monostable cannot provide sufficient current to power the bulb, which is therefore controlled by way of a single transistor output stage. Also, an input of the monostable permits the output pulse to be terminated prematurely and the Reset switch controls this input.

A piezoelectric microphone is used to provide the trigger signal for the monostable, but the output signal from the microphone is too low to provide reliable triggering. A single stage amplifier is therefore used to boost the signal from the microphone to a level that gives better results.

The sensitivity of the circuit is still quite low, but high sensitivity is not an advantage in this application. It would simply result in frequent spurious triggering of the unit, and operating the Reset switch would produce vibrations that would immediately retrigger the unit.

CIRCUIT OPERATION

The full circuit diagram for the Automatic Nightlight project appears in Fig.2. It is based on a low power version of the 555 timer (IC1) used in the standard monostable mode. It is important to use a low power 555 in this circuit, because it will be left switched on, but in the standby mode, for long periods of time.

The standard 555 has a current consumption of only a few milliamps, but over

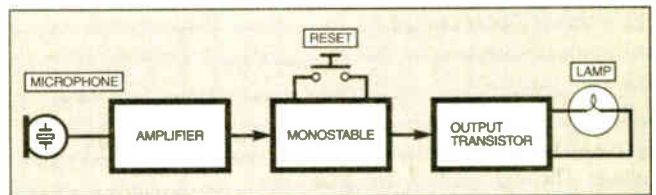


Fig.1. Block diagram for the Automatic Nightlight.

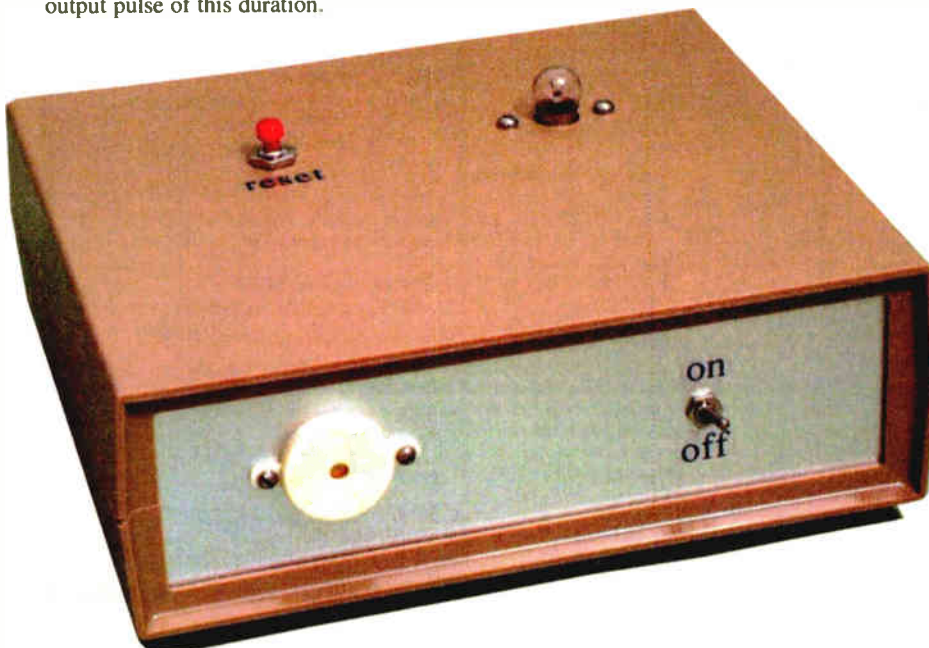
a period of several nights this would significantly drain the batteries. A low power 555 consumes only a fraction of a milliamp, and should not greatly drain the batteries, even after a few months of use.

ON TIME

The timing components in the monostable are resistor R3 and capacitor C2. Under standby conditions an internal transistor of IC1 places a virtual short circuit across C2 that prevents it from charging via R3. This short circuit is removed when IC1 is triggered, and C2 then charges via R3 until the charge potential equals approximately two thirds of the supply potential. The internal transistor then switches on again, and almost instantly discharges capacitor C2.

Under standby conditions the output at pin 3 of IC1 is low, but it goes high while capacitor C2 is charging. The output pulse duration is equal to approximately 1.1 CR seconds, with the capacitance value in microfarads and the resistance in megohms.

With the specified values this works out at 297 seconds, or just under five minutes in other words. In practice the pulse duration is likely to be somewhat longer than this due to slight leakage in C2, and it is not possible to set highly accurate output pulse times with a simple circuit of this type.



In the present application highly accurate results are not required, and any slight lack of consistency in the output times is also of little importance. Different output times can be produced by changing the value of resistor R3 and (or) capacitor C2, but times of more than about 20 minutes become increasingly unreliable due to the high values involved. However, longer times are not really needed in this application, and for most purposes the specified values will suffice.

LIGHTING UP TIME

Although light bulb LP1 is a low current (60mA) type, it still requires more current than IC1 can supply. Consequently, it is driven via common emitter switching transistor TR2. When the output of IC1 goes high TR2 is biased into conduction, and LP1 is supplied with virtually the full 6V supply. Resistor R5 prevents an excessive base current from flowing into TR2.

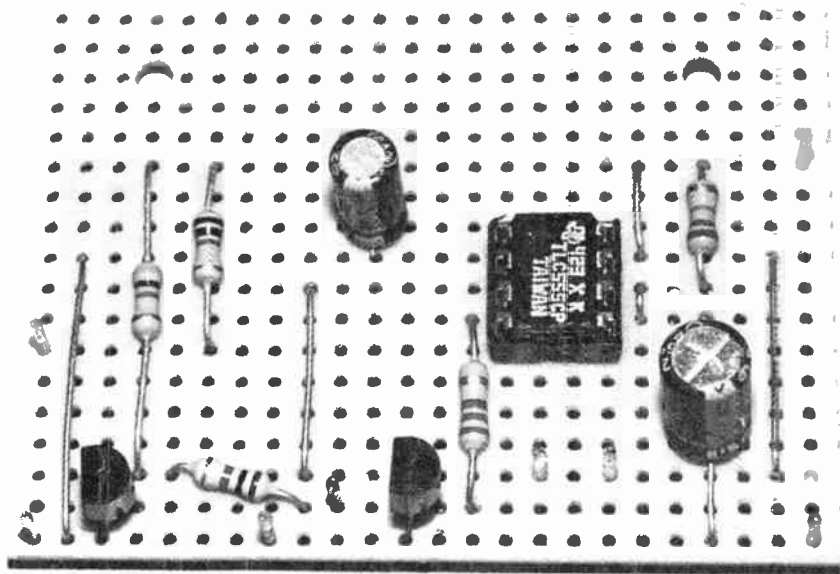
The circuit can handle higher output currents incidentally, but do not use a bulb having a rating of more than about 250mA. Of course, using a bulb having a current rating of more than 60mA will significantly shorten the battery life.

Resistor R4 takes the reset input of IC1 (pin 4) high so that the monostable functions normally. Pressing switch S1 pulls pin 4 low and causes the output pulse to be terminated immediately. Of course, pressing S1 has no effect if LP1 is not switched on.

INPUT TRIGGER

The trigger input at pin 2 of IC1 is driven from the output of a simple common emitter amplifier based on transistor TR1. To trigger the monostable this input must be taken below one third of the supply voltage. The high value of bias resistor R1 ensures that under quiescent conditions the output voltage at the collector (c) of TR1 is half the supply potential or more.

When the microphone MIC1 picks up a sound the collector voltage of TR1 moves either side of its normal level, and if the signal is strong enough the voltage will briefly go below one third of the supply potential and trigger IC1. Microphone



Completed circuit board showing the component layout and the use of an i.c. socket for the low power 555 timer i.c.

MIC1 is actually a piezoelectric sounder and not a proper microphone. In this application audio quality is not a consideration, and a piezo sounder used in reverse as a crude crystal microphone gives good results at low cost.

It is important that the current consumption of the amplifier is very low so that good battery life is obtained. The current drawn by transistor TR1 is typically about 60µA, and the quiescent current consumption of the circuit as a whole is approximately 250µA.

CONSTRUCTION

This battery-powered Automatic Nightlight, the latest in our special series of low-cost starter projects, is built up on a small piece of stripboard. The topside component layout, underside details and interwiring to off-board components is shown in Fig.3. Containing just 24 holes by 18 strips the board is not a standard size

and a larger board must be trimmed down to this size using a hacksaw or a junior hacksaw.

The two mounting holes are 3mm dia. and will accept either 6BA or metric M2.5

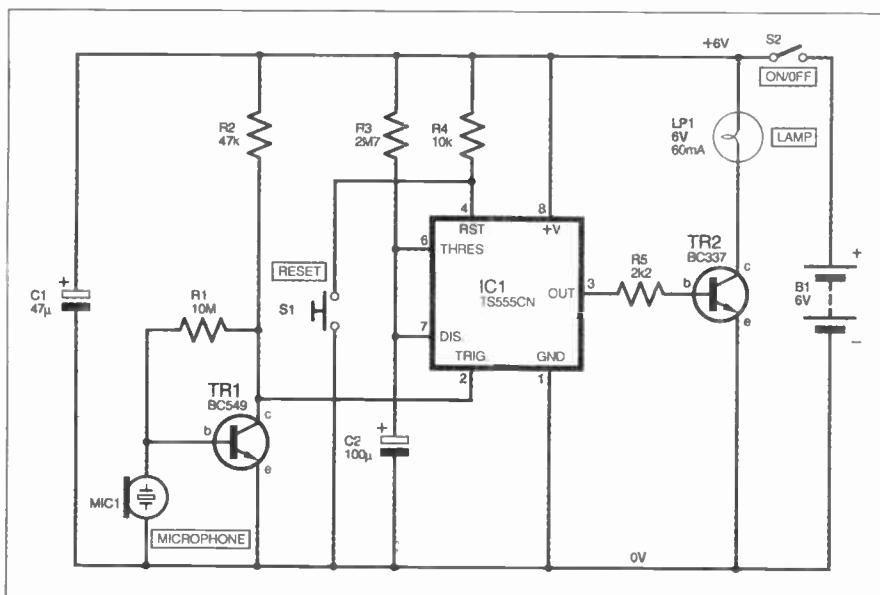


Fig.2. Complete circuit diagram for the Automatic Nightlight.

COMPONENTS

Resistors

R1	10M
R2	47k
R3	2M7
R4	10k
R5	2k2

All 0.25W 5% carbon film

See

SHOP
TALK

page

Capacitors

C1	47µ radial elect. 16V
C2	100µ radial elect. 10V

Semiconductors

TR1	BC549 npn gen. purpose transistor
TR2	BC337 npn medium power transistor
IC1	TS555CN low power timer

Miscellaneous

MIC1	cased piezoelectric sounder
LP1	6V 60mA bulb, with holder
S1	pushbutton switch, push-to-make, release-to-break
S2	s.p.s.t. min. toggle switch
B1	6V battery pack (4 x AA cells in holder)

Medium size plastic or metal box, style and size to choice; 0.1 inch matrix stripboard, 24 holes by 18 copper strips; 8-pin d.i.l. socket; PP3 type battery connector; multistrand connecting wire; solder pins; solder, etc.

Approx. Cost
Guidance Only

£6

excluding batts. & case

mounting bolts. Most plastic stand-offs do not work well with stripboard and it is better to use mounting bolts plus spacers to keep the underside of the board clear of the case.

The seven breaks in the copper strips can be made using a special tool, but a hand-held twist drill bit of about 5mm dia. will do the job just as well. The circuit board is now ready for the components and link-wires to be added.

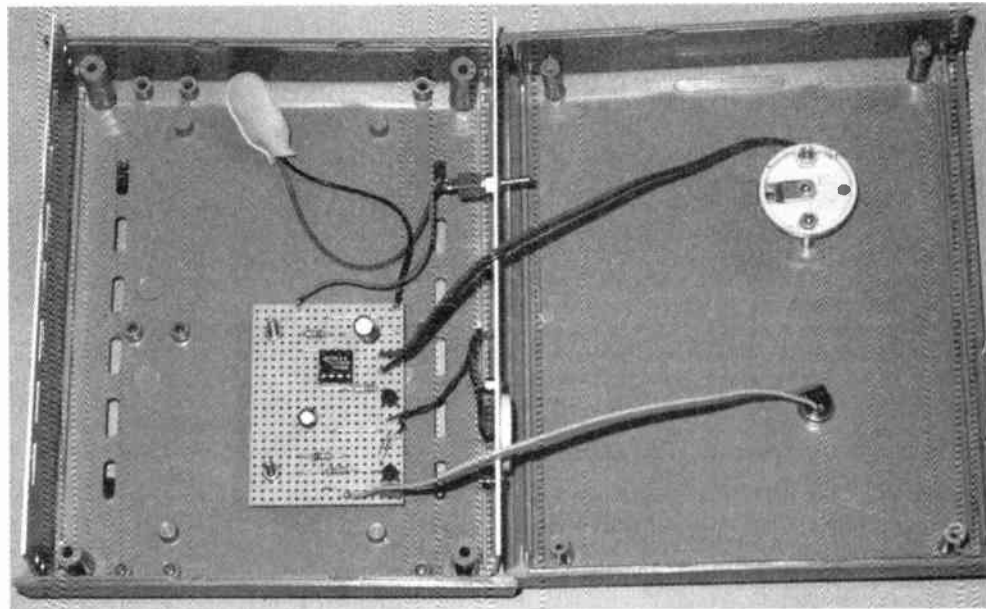
Most low power versions of the 555 timer are not static-sensitive, but it is still advisable to mount this component on the board via a holder. Be careful to fit both capacitors with the correct polarity.

Capacitor C2 must be a good quality component if the unit is to function properly. Using a low grade capacitor will either give greatly extended output pulses from the monostable, or once triggered the lamp will simply stay switched on indefinitely. A tantalum capacitor is ideal, but a good quality electrolytic component should give good results.

The five link-wires are made from 22s.w.g. or 24s.w.g. (about 0.6mm dia.) tinned copper wire. Fit single-sided solder pins to the board at the points where connections to the switches, the microphone, etc. will eventually be made.

CASE

A medium size plastic or metal box will comfortably accommodate all the



The two halves of the case opened out to reveal the general positioning of the circuit board and the interwiring to the front and top panel mounted components. Don't forget to leave plenty of room for the battery.

components. It is best to mount Reset switch S1 on the top panel where it will be easy to operate.

The microphone can be mounted behind the front panel, but a large round cutout will then be needed for the body of the component. It is easier to mount it on the

front surface of the panel, and only three small holes are then required.

Two of these are for the metric M2 or 8BA mounting bolts, which are not normally supplied with the sounder incidentally. The third hole allows the two flying leads to pass through to the interior of the case. The sounder can be used as a template when marking the positions of the mounting holes.

Piezo sounders usually have one black lead and one red one, which is presumably to indicate their phasing. They are not polarised components though, and can be connected either way round in this case.

LIGHT WORK

Fitting the light bulb to the case in a reasonably neat fashion is the only awkward aspect of construction. The original intention was to mount the bulb on the top panel using a chassis mounting bulbholder. Some form of transparent plastic cover would then have been fixed over the bulb and holder.

The problem with this method is in finding a suitable cover. The method eventually used was to mount the bulbholder beneath the top panel, with spacers holding it 12.7mm (0.5 inches) beneath the panel. This brings the top of the holder roughly flush with the top panel of the case. A 9mm diameter hole drilled in the top panel enables the bulb to be screwed into the holder.

This gives a reasonably neat looking finished article, but it is not very childproof. If small children will have access to the unit it is essential to make access to the bulb more difficult.

One solution is to go for the modern approach, and simply mount everything inside a transparent case. Another possibility is to mount the bulb on top of the main case, but to mount a small transparent case over it. Remember that although access to the bulb must be difficult, it must be possible so that the bulb can be changed.

The small amount of hard wiring is perfectly straightforward. The bulb holder has screw terminals, but you may prefer to

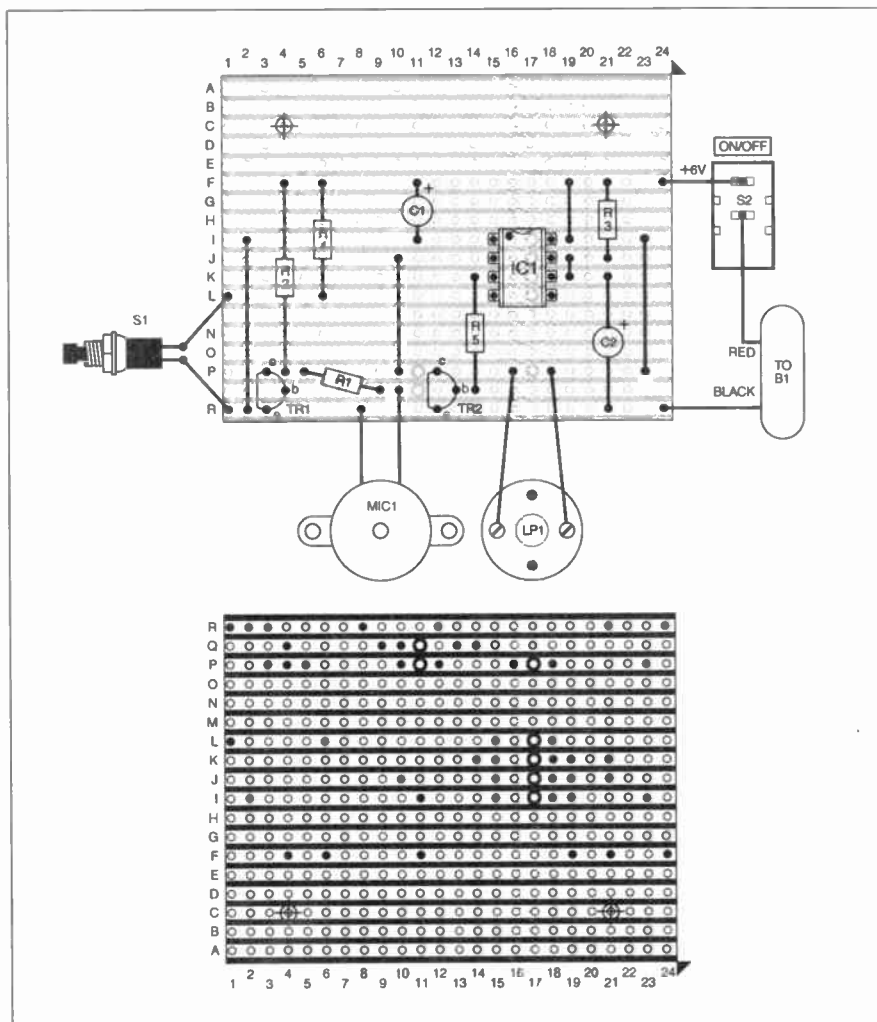


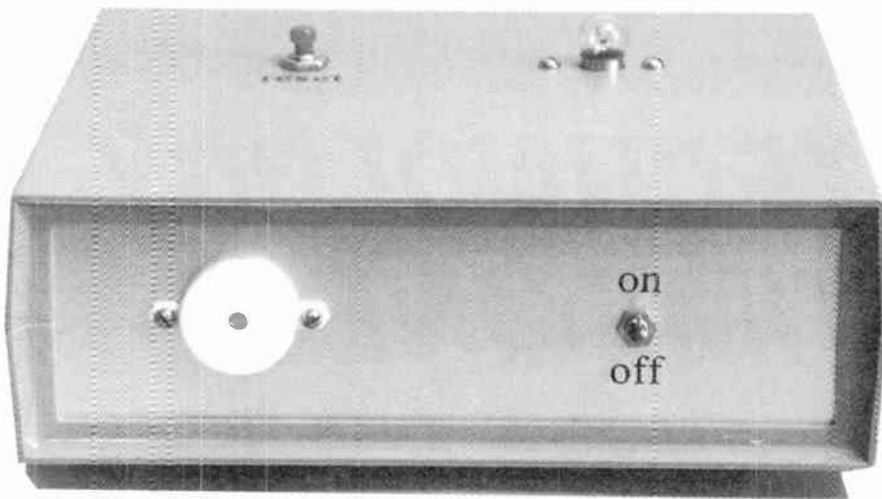
Fig.3. Stripboard topside component layout, details of breaks in the underside copper strips and interwiring to off-board components.

remove the screws and make soldered connections to the metal terminal plates. Be careful to connect the battery clip with the polarity shown in Fig.3.

TESTING

When the completed unit is first switched on it is likely that it will be triggered and the lamp will switch on. Operating pushswitch S1 should switch the lamp off again, but avoid making too much vibration when operating S1 or the unit will be triggered again.

With the lamp switched off, try tapping the case or clapping gently near the microphone to check that the unit will trigger properly. If there is any sign of a malfunction, switch off at once and recheck the entire wiring, etc.

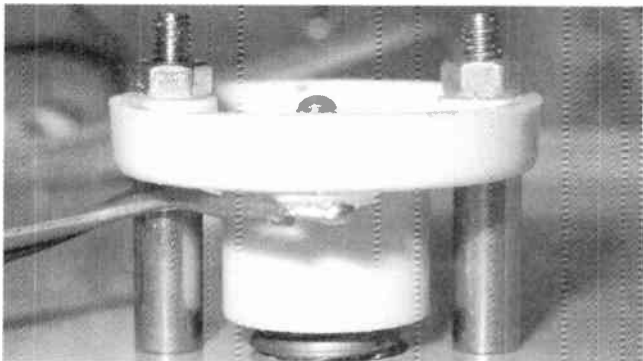


Finished Automatic Nightlight showing the piezoelectric microphone and on/off switch mounted on the front panel. The bulb should be protected against breakage.

If all is well, check that the lamp remains switched on for approximately the correct period. Due to component tolerances and slight leakage in timing capacitor C2 there may be a substantial error in the time that the lamp is switched on. Anything in the region of 4.5 to 7 minutes is acceptable.

If the switch-on time is far too long, or the lamp fails to switch off at all, it is likely that the leakage level of capacitor C2 is too high. It must then be replaced with a higher quality component.

Due to its low standby current consumption the Automatic Nightlight can be left switched on all the time, but it is advisable to switch it off during the daytime. Otherwise there is a risk of it being triggered occasionally, causing the lamp to switch on and run down the batteries unnecessarily. □



Using spacers to mount the bulbholder on the underside of the case lid, above a 9mm dia. hole to allow the bulb to be screwed in from the outside.

FRUSTRATED!

Looking for ICs TRANSISTORS?

A phone call to us could get a result. We offer an extensive range and with a world-wide database at our fingertips, we are able to source even more. We specialise in devices with the following prefix (to name but a few).



2N 2SA 2SB 2SC 2SD 2P 2SJ 2SK 3N 3SK 4N 6N 17 40 AD
 ADC AN AM AY BA BC BD BDT BDV BDW BDX BF
 BFR BFS BFT BFX BFY BLY BLX BS BR BRX BRY BS
 BSS BSV BSW BSX BT BTA BTB BRW BU BUK BUT BUV
 BUW BUX BUY BUZ CA CD CX CXA DAC DG DM DS
 DTA DTC GL GM HA HCF HD HEF ICL ICM IRF J KA
 KIA L LA LB LC LD LF LM M M5M MA MAB MAX MB
 MC MDAJ MJE MJF MM MN MPS MPSA MPSH MPSU
 MRF NJM NE OM OP PA PAL PIC PN RC S SAA SAB
 SAD SAJ SAS SDA SG SI SL SN SO STA STK STR STRD
 STRM STRS SVI T TA TAA TAG TBA TC TCA TDA TDB
 TEA TIC TIP TIPL TEA TL TLC TMP TMS TPU U UA
 UAA UC UDN ULN UM UPA UPC UPD VN X XR Z ZN
 ZTS + many others

We can also offer equivalents (at customers' risk)
 We also stock a full range of other electronic components
 Mail, phone, Fax Credit Card orders and callers welcome



Connect

Cricklewood Electronics Ltd

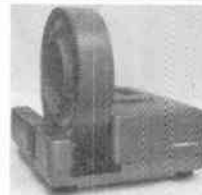
40-42 Cricklewood Broadway London NW2 3ET
 Tel: 0181 452 0161 Fax: 0181 208 1441

Watch Slides on TV.

Make videos of your slides. Digitise your slides (using a video capture card)

"Liesgang diav" automatic slide viewer with built in high quality colour TV camera. It has a composite video output to a phono plug (SCART & BNC adaptors are available). They are in very good condition with few signs of use.

£91.91 + VAT = **£108.00**



Board cameras all with 512 x 582 pixels 8.5mm 1/3 inch sensor and composite video out. All need to be housed in your own enclosure and have fragile exposed surface mount parts. They all require a power supply of between 10V and 12V DC 150mA.

47MIR size 60 x 36 x 27mm with 6 infra red LEDs (gives the same illumination as a small torch but is not visible to the human eye) £37.00 + VAT = **£43.48**

30MP size 32 x 32 x 14mm spy camera with a fixed focus pin hole lens for hiding behind a very small hole £35.00 + VAT = **£41.13**

40MC size 39 x 38 x 27mm camera for 'C' mount lens these give a much sharper image than with the smaller lenses £32.00 + VAT = **£37.60**

Economy C mount lenses all fixed focus & fixed iris

VSL1220F 12mm F1.6 12 x 15 degrees viewing angle £15.97 + VAT **£18.76**

VSL4022F 4mm F1-22 63 x 47 degrees viewing angle £17.65 + VAT **£20.74**

VSL6022F 6mm F1-22 42 x 32 degrees viewing angle £19.05 + VAT **£22.38**

VSL8020F 8mm F1-22 32 x 24 degrees viewing angle £19.90 + VAT **£23.38**

Better quality C Mount lenses

VSL1614F 16mm F1-6 30 x 24 degrees viewing angle £26.43 + VAT **£31.06**

VWL813M 8mm F1.3 with iris 56 x 42 degrees viewing angle £77.45 + VAT = **£91.00**

1206 surface mount resistors E12 values 10 ohm to 1M ohm

100 of 1 value £1.00 + VAT 1000 of 1 value £5.00 + VAT

866 battery pack originally intended to be used with an orbital mobile telephone it contains 10 1.6Ah sub C batteries (42 x 22 dia. the size usually used in cordless screwdrivers etc.) the pack is new and unused and can be broken open quite easily
 £7.46 + VAT = **£8.77**



Please add £1.66 + vat = £1.95 postage & packing per order

JPG Electronics

276-278 Chatsworth Road, Chesterfield, S40 2BH.

Tel 01246 211202 Fax 01246 550959

Mastercard/Visa/Switch

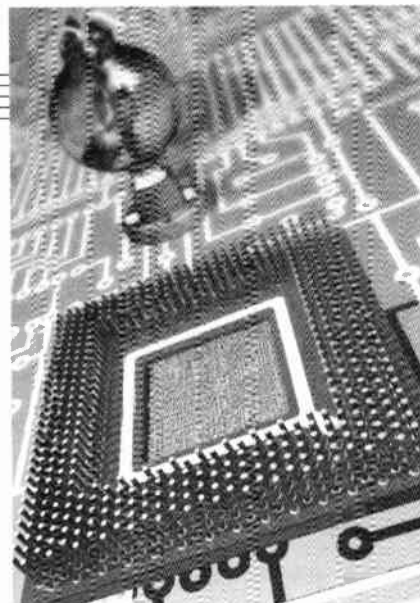
Callers welcome 9.30 a.m. to 5.30 p.m. Monday to Saturday

TECHNOLOGY TIMELINES

PART 5 – CRYSTAL BALLS!

CLIVE "MAX" MAXFIELD AND ALVIN BROWN

Boldly going behind the beyond, behind which no-one has boldly gone behind, beyond, before!



As you will recall, the purpose of this series was to review how we came to be where we are today (technology-wise), and where we look like ending up tomorrow. In Part 1 we cast our gaze into the depths of time to consider the state-of-the-art in electronics, communications, and computing leading up to 11:59pm on the 31st December 1899, as the world was poised to enter the 20th century.

Parts 2, 3, and 4 considered the developments in fundamental electronics, communications, and computing throughout the 20th century. Now, in this concluding episode, we'll buff up our crystal balls and peer myopically into the misty future to ponder what is to come.

MULTIPLE FACETS

In fact there are a number of different facets of future developments that are interesting to consider. On the one hand we have evolution in core technologies and developments in materials science. Next we have trends in products. And last but not least, we have the social consequences to consider.

In the case of materials science, the human race has only just begun to scratch the surface of what is possible. In years to come, today's carbon composite materials will be considered to be our first crude fumbblings in this science, comparable to the way in which we view the products of the early bronze age! As we gain a better understanding of how things work at the atomic and molecular levels, coupled with an increasing ability to manipulate these structures on an industrial scale, we truly will go behind the beyond, behind which no man has boldly gone behind, beyond, before!

SILICON CHIPS

The core technology driving electronics is of course the integrated circuit (i.c.), which is commonly referred to as the silicon chip, because most i.c.s are based on silicon. There are other semiconducting materials available, such as Gallium

Arsenide (GaAs) which can be used to create transistors that switch approximately eight times faster and use only a tenth of the power of their silicon counterparts. However, in addition to being highly toxic, GaAs is fragile, difficult to manufacture, and difficult to work with.

Ever since the integrated circuit was invented, manufacturers have been gradually improving their processes and shrinking the size of the transistors, because smaller transistors switch faster and use less power.

"Inventions have long since reached their limit, and I see no hope for further development." – Sextus Julius Frontinus, 98 A.D.

During the 1980s, transistor geometries shrank from $3.0\mu\text{m}$ to $2.0\mu\text{m}$ and below, eventually reaching $1.0\mu\text{m}$ as we turned the corner into 1990 (where " μm " stands for "micron", meaning a millionth of a metre). Today, 10 years later, manufacturers are working with structures of $0.18\mu\text{m}$, and the shrinking continues.

NAUGHTY PARASITICS

The interconnections (wires) on silicon chips have traditionally been formed from aluminium, even though this metal is not a particularly good conductor of electricity. I.C. manufacturers would have preferred to use copper, which is one of the best conductors available for most purposes. But copper has a nasty habit of diffusing into silicon, thereby rendering the entire chip useless. So engineers persisted with aluminium, but as structures on the chips get smaller (including the width of the wires) and clock frequencies get faster, dealing with the parasitic track resistance (which slows signal transitions and burns power) becomes increasingly significant.

Towards the end of the 20th Century (it seems so strange to say that, but there we are), IBM solved the problem of depositing copper tracks on i.c.s without the copper leaching into the chip itself. Using copper

provides a huge speed boost to the chips, and other manufacturers are now starting to license this technology from IBM.

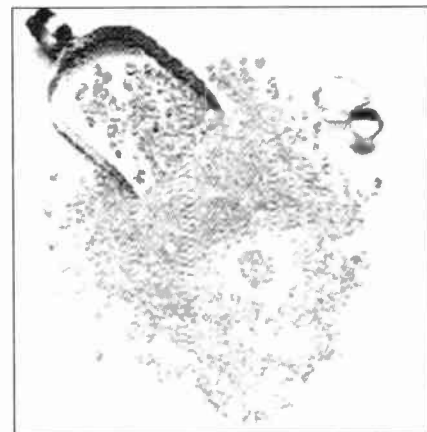
HOMO OR HETERO JUNCTIONS?

The interface between two regions of semiconductor having the same base element but opposing types of $p-n$ doping is called a homojunction. By comparison, the interface between two regions of dissimilar semiconductor materials is called a heterojunction. The interface of a heterojunction has naturally occurring electric fields that can be used to accelerate electrons, so transistors created using heterojunctions can switch much faster than their homojunction counterparts of the same size.

Homojunctions dominate current i.c. processors because they are easier to fabricate, but the constant drive for more speed is causing a number of manufacturers to experiment with heterojunction devices.

DIAMONDS ARE FOREVER

Diamond is famous as being the hardest substance known, but it also has a number of other interesting properties. For example,



Diamonds might revolutionise electronics in the future. Courtesy H. Goldie Diamond Brokers.

diamond is a better conductor of heat at room temperature than any other material (it can conduct five times more heat than copper). In its pure form diamond is a good insulator, and it's also one of the most optically transparent materials available.

But what makes diamond really interesting to us is that it falls in the same family of elements as silicon and germanium. This means that it has four free electrons in its outermost energy level, which makes it a 4-valence semiconductor, which means we can use it to create transistors. The point is that devices based on diamond are far superior to their silicon cousins. In addition to

"The Americans have need of the telephone, but we do not. We have plenty of messenger boys." – Sir William Preece, Chief engineer of the British Post Office, 1876.

being significantly stronger and having the ability to conduct more heat, diamond-based transistors can switch much, much faster than silicon and can function at temperatures of several hundred degrees.

There's only one catch, which is that transistors can only be formed on single-crystal diamond, and the only source of these structures is in naturally occurring diamonds. Now you may think that diamond is too rare and expensive to use for i.c.s, but in fact DeBeers and the Russians



The Dell Latitude. Lap-top computers can now run at 700MHz and contain 36GB hard drives. Compare this with the 1960s equipment shown below.

to heat mixtures of hydrogen and hydrocarbons into a plasma, out of which the films can be deposited on suitable substrates (base layers). However, the resulting films have "nanophase structures" which are formed from billions of tiny crystals instead of from one big one. Thus, scientists and engineers are working furiously to create a substrate material that will promote the growth of single-crystal diamond films. This could happen today, next month, or ten years from now, but whenever it comes to pass it will revolutionize electronics as we know it!

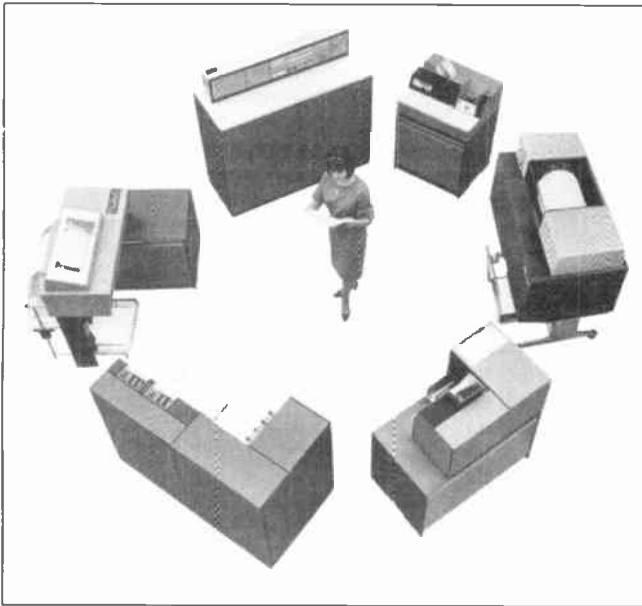
to build a 10mm cube composed of 50 chips stacked on top of one another. But there's a problem with this chip-on-chip (COC) technique – heat dissipation! A single high-end microprocessor chip (like a Pentium III, for example) can dissipate approximately 40 watts, and this increases as the clock frequency goes up. It's hard enough to dissipate this amount of heat, so we can only imagine the problems associated with 50 of the little rascals in a 1cm cube.

Even if we could solve the heat dissipation problem, there's the problem of connecting the chips together. If the chips were based on silicon, the techniques for

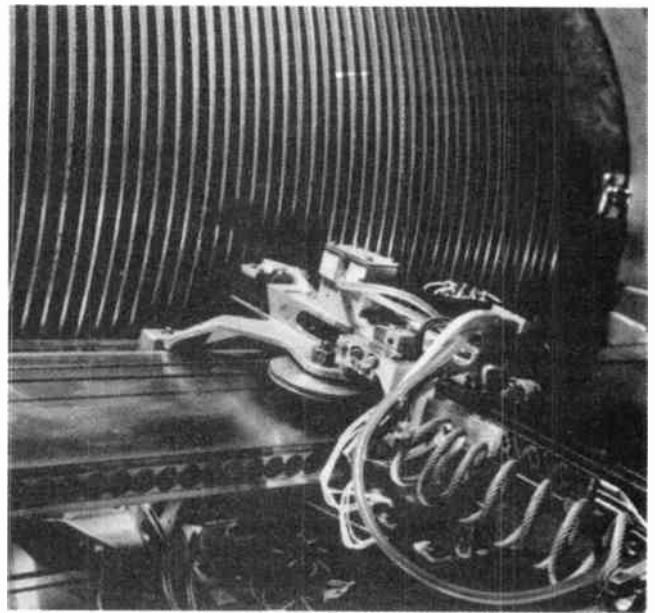
"The simplest schoolboy is now familiar with facts for which Archimedes would have sacrificed his life." – Ernest Renan, 1887

connecting the slices forming the chip stack are relatively limited (the most likely being running vertical wires up and down the sides of the cube).

But wait! As you may recall, diamond is one of the most optically transparent materials available. Suppose that the chips were made from diamond, which in addition to being able to withstand extremely high temperatures is also the best conductor of heat on the planet. It's also the most optically transparent substance available, and we know how to construct laser diodes and phototransistors.



A typical 1960s computer installation. This is the IBM System/360. (Courtesy IBM Archives.)



An IBM RAMAC disk storage system from the '60s. Each disk is about 300mm (12 inches) in diameter. (Courtesy IBM Archives.)

have huge warehouses packed to the gills with the little rascals – they keep them locked up so as to maintain an artificially high price.

The real problem is that, to be cost effective, current i.c. manufacturing processes are geared to working with semiconductor wafers approximately 25cm (10 inches) in diameter, and there aren't too many naturally occurring diamonds like that lying around (and if one were found you can bet that they wouldn't let us make i.c.s out of it).

In fact we currently have the technology to create diamond films using microwaves

A STACK OF CHIPS

Electronics designers are constantly trying to squeeze as many transistors as they can into the smallest space possible. One interesting idea is based on the fact that the slivers of semiconductor used to form i.c.s are only approximately 0.2mm thick (and most of this thickness is only required for mechanical strength, because the transistors are formed to a depth of only a few microns on the surface layer).

Thus, assuming chips that are 10mm square and 0.2mm thick, it would be possible

So it would be theoretically possible to create something with the computing power of 50 Pentium III processors in a 1cm cube, where the layer-to-layer communication was performed using optical signals.

Pretty cool eh? And the really cool thing is that although this is difficult, it's well within the realms of possibility in the foreseeable future (if you've got good glasses).

BLINDED BY THE LIGHT

The hard disks used to store data in computers have made tremendous progress in

recent years. It may be difficult for younger readers to comprehend the fact that hard disks used to be a tad bigger and held somewhat less data than they do today.

For example, one system built by the Librascope Corporation in the late 1960s (little more than 30 years ago!) used disks that were four feet in diameter and could store less than 1MB of data! You wouldn't believe the thermal tracking problems associated with these devices, and most of the disks actually ended up serving a role for which they were far-better suited – as coffee tables!

But time marches on, and today's hard disks are a triumph of engineering. In fact you can now purchase a disk that holds more than 36GB that's only about 100mm (4-inches) square and 25mm (1-inch) thick.

"Everything that can be invented has been invented" – Charles Duell, Head of the US Patent office, 1899

All of which is pretty amazing and jolly good, but at the end of the day we're still talking about coating a disk with magnetic material and spinning it round at 10,000 r.p.m. Is it just us, or do hard disks lack the luster we always associated with "Buck Rogers in the 21st Century" (be fair, we had to squeeze him in somewhere).

As it happens, there's a lot of development going on in optical storage. It's believed that as much as one terabyte (1000 GB) could be stored in a 1cm cube using today's technologies . . . if only we had the right cube. There have been some notable successes based on creating cubes of bi-frequency photosynthetic proteins suspended in transparent polymers. Unfortunately the materials used thus far tend to forget their data after a few weeks, which is less than ideal when you're talking about long-term computer storage.

But once again we're back to materials science. We will discover suitable materials – it's only a matter of time – and when we do . . .

COLD ENOUGH TO...

And then there are superconductors, which are conductors with zero resistance that have a tremendous range of potential applications. We say "potential", because even though superconductors are in use today, they require extremely cold temperatures to function, which makes them less than optimal for everyday applications.

Way back in 1911, the Dutch physicist Heike Kamerlingh Onnes discovered superconductivity manifesting itself in mercury cooled to 4°K (4 degrees Kelvin, which is equivalent -269°C, and which is only 4 degrees above absolute zero – the coldest you can get). Initially it was thought that superconductivity was caused by the atoms in the material not moving due to the extremely low temperatures. However, materials that exhibited superconductivity at higher temperatures were subsequently discovered.

By the early 1990s a family of materials based on copper oxide and mercury attained superconductivity at 160°K (-113°C), which starts to become very

interesting. The search is currently on for so-called "room temperature" superconductors, which will revolutionize electronics as we know it if (when) they are discovered. (Note that we're in the realm of materials science once again.)

As an aside, there are many theories as to how superconductivity works, some of which are so complex that they are only understood by very few people on the planet. But truth-to-tell no one really understands it one hundred percent (much like magnetism – although we know what it does we don't fully understand what causes it at the most fundamental levels).

Now if the authors were experts on conductivity, this is the point where they might be tempted to start muttering under their breaths about such esoteric concepts as "Correlated electron movements in conducting planes separated by insulating layers of mesoscopic thickness, under which conditions the wave properties of electrons assert themselves and electrons adopt the properties of waves rather than particles." But they aren't, so they won't!

TRANSMOGRIFICATION

If we were to take a "30,000 foot" view of electronics, we might say that we start off by thinking of something we want to do, then we come up with an algorithm that describes how we want to do it. The next step is to map this algorithm into some sort of physical implementation that will actually perform the task.

For example, let's assume that we want to create a codec (CODer-DECoder – a circuit that converts audio or video signals into digital code, and vice versa). Once we've worked out the algorithm we want to use, we could decide to implement it out of "jelly-bean" i.c.s (simple off-the-shelf functions), but the result would be relatively large, heavy, and unwieldy. So if we wanted to use our codec in say a cell phone, this approach would be a non-starter.

Another technique would be to create an application-specific integrated circuit (ASIC). These devices, which can contain

"X-rays are a hoax" – Lord Kelvin, 1900

millions of transistors, are expensive to develop, but the cost-per-unit falls to a few dollars if you make enough of them.

Although an ASIC will offer the most efficient implementation possible, there are two major problems with this approach. First of all, each major function in the cell phone (like our codec) will require its own set of transistors, or perhaps even its own ASIC. Secondly, codec (and cell phone) standards are changing so fast that by the time the ASIC is produced it is already obsolete.

Yet another technique is to use a general-purpose microprocessor or a digital signal processor (DSP), which is a specialized form of microprocessor. In this case the algorithm would be implemented as a software program. This approach has the advantage that the algorithm can be quickly and easily "tweaked" and modified. But the big disadvantage is that this technique

offers only a fraction of the efficiency of an ASIC in terms of processing speed.

So we seem to be between a rock and a hard place – especially when we consider the explosive growth in cell phones and other handheld devices, which need to be as small and lightweight and consume as little power as possible. One answer to this conundrum is reconfigurable hardware – that is a device whose internal functions can be reconfigured at extremely high speeds "on-the-fly" while the device is resident in the product. This would allow a single device to perform the tasks of multiple hard-wired devices, and also to be easily upgraded to support evolving algorithms.

Available design tools and reconfigurable devices are still in their infancy, but you can expect to see dramatic developments in this area in the very near future.

PRESUMPTUOUS POLYMERS

One area of materials science that remains largely unnoticed by the general public is that of plastics technology (so long as your carrier bag doesn't split and drop your groceries on the floor, who cares?).

But in fact research into different polymers is resulting in some incredible developments. For example, in the latter half of

"No idea is so antiquated that it was not once modern; no idea is so modern that it will not someday be antiquated." – Ellen Glasgow

the 1990s, some cunning French scientists discovered how to screen-print plastic transistors. Although these aren't suitable for use on integrated circuits, they may well prove to be tremendously interesting for large-screen display devices.

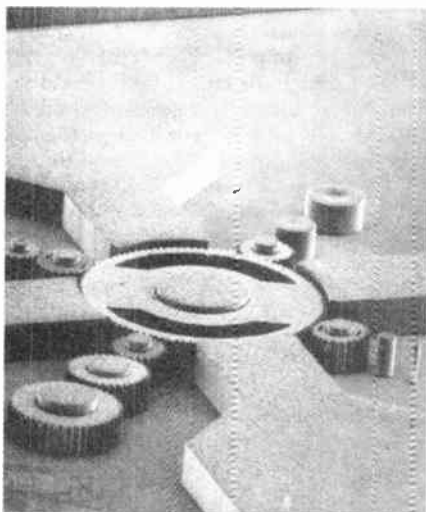
Also, in 1999, reports emerged about research into polymer-based battery technology – that is, batteries formed from thousands of incredibly thin layers of different polymers sandwiched together. One of the biggest (and heaviest) components of a handheld device like a cell phone is the battery – another is the case. But this polymer technology may result in the case being the battery!

ALL IN THE GENES

We're sort of used to programs that do one thing, and keep on doing the same thing even if we don't use them very often. However, there's a very interesting discipline known as "Genetic Algorithms", which are programs that are crafted to mimic evolutionary processes in the real world. To put this another way, genetic algorithms can mutate and evolve themselves to find the best solution to problems involving large numbers of variables.

Two other areas of interest are those of "fuzzy logic" and "neural networks", and engineers are currently experimenting with different combinations of these disciplines to produce some truly unique offspring.

Of course, the really interesting stuff will begin when reconfigurable logic comes to maturity, at which point combining self-evolving algorithms with dynamically



A micromachine gear train magnified 200 times.

configurably hardware will result in . . . some truly mind-boggling projects in *EPE* and *EPE Online*! (And don't even get us talking about micro-machines, protein switches, and nanotechnology!)

BEAM ME UP SCOTTIE!

Now it's time to turn our all-seeing gaze in the direction of some key product trends. The phenomenal growth currently being experienced by the cell phone industry will dramatically change the face of personnel communication devices and practices. People appear to thrive on being able to contact friends and relatives at all hours of the day and night.

If fact, having your own personnel telephone number has become a status symbol to today's affluent teen generation. This is almost unbelievable to the older generation – for example one of the authors' mothers recalls actually having to take a college course on "how to use the telephone!"

In Japan, where they have the most advanced wireless infrastructure in the world, some types of cell phones can be permanently connected to the world wide web. This enables the delivery of all sorts of real-time information that is customised and delivered to the end-user based on personal preferences and requirements.

Diverse information ranging from stock quotes to local weather conditions to a picture of your friend's dog can be beamed directly to your cell phone and displayed in a message window. In today's culture, a cell phone is starting to be treated like a piece of jewellery forming a reflection of the owner's personality – for example, consider the current trend to customise one's cell phones by replacing the faceplate.

This dependence on personal communication devices will have a dramatic effect on our society, not the least being the inevitable demise of the public pay-phone within the next few years.

SCOTTIE MARK II

In addition to their cell phones, many people have started to carry personal digital assistants (PDAs) – such as a Palm Pilot — which they use for tasks like scheduling appointments and storing the contact details of their friends and business associates.

Some people also carry a digital camera that they use to record special events (or anything that moves in some cases) while others favour a mobile global positioning system (GPS) device that they use to locate business addresses (or themselves) on their travels.

The functionality of all of these devices will eventually be merged into a single personal communications device. This unit will be capable of sending and receiving voice and data messages; capturing, displaying, transmitting, and receiving images; determining one's position anywhere in the world; translating to and from the local language wherever one happens to find oneself (and also telling the time) — all from a single device the size of a small cell phone.

The user interface (UI) model for these devices will also undergo a transition, from today's keypad mode of operation to true handwriting and speech recognition in the not-so-distant future.

ELECTRONIC PUBLISHING

Publishing today is dominated by the print media. The invention of the radio and later the television were both heralded as the beginning of the end for the printed word, yet newspapers and books have endured through the ages. There is something about holding and reading a paper book that satisfies the user in a very fundamental way. Having said this, print media will not long remain the primary vehicle for information dissemination and delivery.

Early attempts at producing electronic books (e-books) have been less than successful for a number of reasons, not the least being the cost of an e-book system (\$500 to \$750 US dollars as of December 1999). Another consideration is the poor resolution and quality of e-book text due to the display technology of the day. There's also the aesthetic and tactile look-and-feel

of a good book, which is far superior in most user's minds to that of a plastic e-book device.

However, the technological problems will be solved in time. Higher resolution display devices will become available, companies such as Microsoft are developing new font technologies that will make electronic text much easier to read, and the cost of these devices will inevitably fall through the floor.

Some of the driving factors for end-users will be the instant availability of huge amounts of information at their fingertips, coupled with the ability to access audio, visual, and multimedia content. In fact electronic books have many advantages for

"Technology made large populations possible; large populations now make technology indispensable." – Joseph Wood Krutch

both end-users and publishers. The cost of publishing an electronic book is greatly reduced, because the publisher doesn't have to produce a master plate for each page, or pay a printer to print a minimum order of thousands of copies of the book, or pay a distributor to move the books to retail stores. Also e-books are intrinsically environmentally friendly (you don't have to kill a forest to print an e-book).

Readers of *EPE Online* (www.epemag.com) – the web-delivered version of *EPE* – are themselves helping to pioneer this technology of the future, and along the way they are receiving the advantage of the reduced cost of distribution. The cost difference for a 12-month subscription between the online version (\$9.99) and the printed version (\$50) is a reflection of the technology used to produce and deliver the magazine, and ends up as a direct saving that can be passed on to the end user.

CONTENT CREATION

Retail stores, the publishing industry, and digital media are segmented markets today, but they are beginning to merge. For example, consider large American department stores, who historically produced and distributed ferocious quantities of printed catalogues. These stores are now furiously investing in in-house television studios so that they can create their own video content. At the same time they are investing heavily in e-commerce solutions and web-based content creation technology.

Why are high street "names" like Sears investing in this technology? Well for a start, they've seen catalogue-based companies like Landsend (www.landsend.com) transferring their business to the web, carving out new markets, and making humongous profits on the way. Retail space and staff costs are increasingly expensive, so web-based e-commerce sites that can deliver real-time interactive walk-throughs of virtual shopping malls that exist only in cyberspace offer a very attractive alternative.

This new approach provides many advantages. For example, a UK-based clothing store now has the opportunity to market its goods to a world-wide audience. People can shop from the comfort of their own front



An Inmarsat satellite phone in use in a remote part of India. (Courtesy Inmarsat).



The Siemens IC35 Unifier provides Web access, E-mail and fax, it also includes a smartcard slot for future banking.

rooms, using web-enabled applications that provide an enjoyable shopping experience without getting trampled in the stampede for a bargain! Meanwhile, the "store" gains additional margins from the reduced costs associated with not having to maintain large and costly high street properties.

The race has started to own the technology that will enable true virtual stores. Companies that either generate 3D content or offer 3D visualisation software are being acquired by other companies that specialise in e-commerce solutions. Content is perceived as being the key to the success of the next generation of online stores. Virtual stores where people can enter and "walk around" a three-dimensional world looking and touching virtual goods on virtual shelves is not that far away.

In addition to huge virtual book stores like Amazon (www.amazon.com), other areas in the commercial arena that have already entered into the world of virtual business are banks and insurance companies, who are becoming increasingly attractive as they pass the benefits of reduced costs onto their customers.

"Everything that goes around comes around," as they say. The large superstores chased the small specialised shops off the high street due to the price pressure they were able to apply due to their bulk-purchasing power. In response, many of these small businesses turned to the web and started to carve out some very successful niches. In many ways this has been a powerful factor in forcing the larger stores to respond in kind.

DISTANCE LEARNING

Distance learning was pioneered in Australia where, for many years, children in remote locations have received tuition via shortwave radio and television programmes. Over time, distance learning programmes appeared all over the world, but progress has been relatively slow in many countries due to the lack of a suitable infrastructure. However, the advent of the web has proved to be a tremendous accelerator to distance learning, which is now poised for exponential growth.

No longer will access to higher education be limited to the lucky few who can afford access to the limited number of Colleges and Universities. Students around the world are already able to access streaming audio and video presentations, and will soon be able to interact with lecturers and each other across the globe in real-time.

HOLD ON, HERE WE GO!

As we said when we began this series, only one hundred years ago an incandescent light bulb could cause a crowd to gasp in awe, and the most complicated calculations were performed using only pencil and paper. As little as eighty years ago, listening to a rudimentary radio was the privilege of the favoured few. Just sixty years ago, only a tiny minority of the population had any access to a telephone.



The Nokia 7110 provides internet access together with "Navi" Roller predictive text input.

Similarly, colour television was well beyond the means of most households when it was introduced a little over 40 years ago. The thought of personal computers in the home was inconceivable to the vast majority of the population as little as 20 years ago. And no one had heard the term "world wide web" ONLY SEVEN YEARS AGO!!!

What can we say. We've only touched the surface of what is to be. Truth to tell, it's almost impossible to predict any sort of development for more than a few years ahead.

All we can say for certain (and you can quote us on this) is that the future will be far stranger than we can conceive, it's coming much faster than we think, and the social impact will be phenomenal! Captain James T Kirk didn't have a clue!

THE FUTURE IS HERE

EP
Online
www.epemag.com

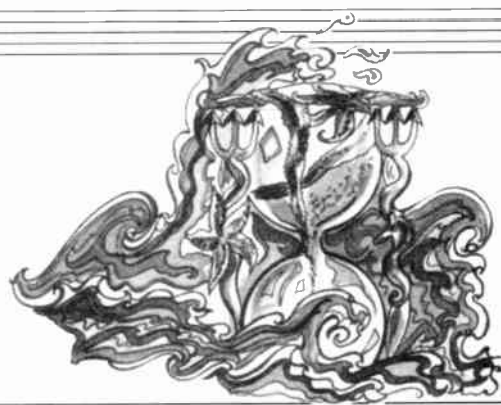
**Get your magazine "instantly" anywhere
in the world – buy from the web.**

**TAKE A LOOK, A FREE
ISSUE IS AVAILABLE**

**A one year subscription (12 issues)
costs just \$9.99 (US)**

Constructional Project

CANUTE TIDE PREDICTOR



JOHN BECKER

A simple tide calculator for paddlers, dabblers and kings of the sand castle.

KING Canute (or Knut) (c.944-1035). Danish king who finally became King of England (after 1016) as well, taking an English wife and maintaining peace and security. A 12th-century legend describes how he rebuked his flatterers by commanding the waves to stand still – in vain of course – to show the limits of his power. The Reader's Encyclopedia.

For over ten years, the author had felt that his power over the waves was also severely limited. Not in some megalomaniac sense, you understand; but in trying to write a computer program that would allow him to predict the state of the tide for any of his favourite coastal laze-about.

Could he walk out to that rocky point without having to swim? Could he swim in that broad sweeping bay without having a kilometre walk out across sand?

All too often, and too late, he'd found that the answers were negative! What was needed was a device or computer program that would allow the answers to be immediately displayed. Naturally, it would allow predictions to be accurate within minutes – the mechanism of tide movement was, after all, subject to strict laws of nature and thus readily calculable . . .

Huh! How naive!

LUNACY

We all know (don't we?) that the Moon goes round the Earth and that its gravitational force pulls on Earth's seas and oceans such that they bulge towards the Moon on one side of the Earth's globe, and away from the Moon on the opposite side (Fig.1). We also know that the Earth rotates beneath the Moon, causing the relative positions of the tidal bulges to change accordingly.

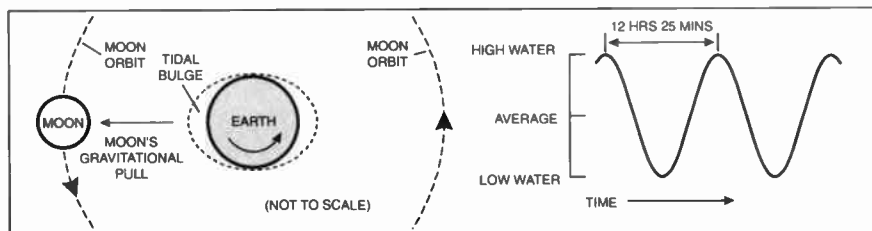


Fig.1. The Moon's gravitational pull causes the oceans to bulge in line with it, resulting in the tide rising and falling over a period of about 12 hours 25 minutes as the Earth rotates.

Probably drilled into us from childhood is that each day's high tides are about one hour later than the previous day's. Practical experience tells us that there are two tides per day, with about twelve and half hours between them, each caused by one or other of the bulges.

Typically, the rise and fall of the tides is sinusoidal, as illustrated in Fig.1, although there are many local exceptions. Indeed, the author once designed a simple electronic tide predictor that used a tuned slow-speed sine wave generator whose output amplitude was displayed on light emitting diodes. (This was published in *PE* July '92 – not available).

Although the device had limitations, it provided an approximate guide to tide conditions at any preset location. As recently as October '98, a reader in South Africa, Johan van Rooyen of Cape Town, told the author that he still used this tide meter and found it successful. He went on to suggest, however, that it should be updated to use a microcontroller and consume less battery power.

There are several key words in the last paragraph – *limitations*, *approximate* and *preset location*. It was those factors that the author had already been trying to resolve via computer.

NOT TIDE EXACTLY

The problem is that although the average period between tides can be tied down to a value of about 12 hours and 25 minutes, there is a daily difference which varies on a cycle. In fact, it varies according to several cycles. The principal one is caused by the Sun also having an influence on tidal movement, it too causing tidal bulges on opposite sides of the globe.

In Fig.2a are shown the tidal bulges which appear on opposite sides of the Earth when the Sun and Moon are in line with it – their gravitational pulls adding together to increase the height of the bulges. In Fig.2b is shown the situation when the Sun

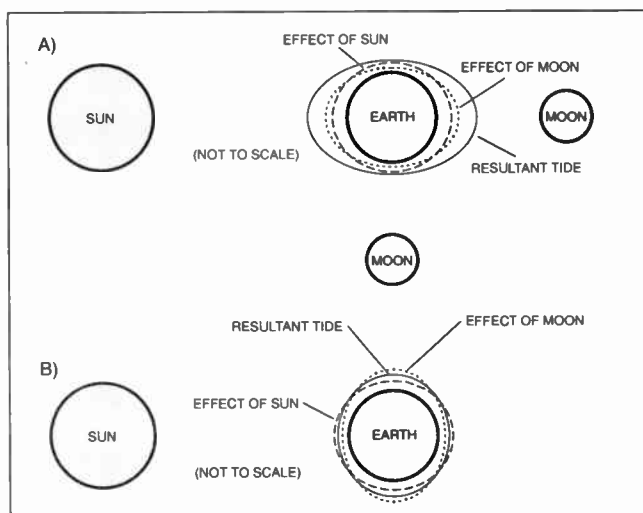


Fig.2. The Sun and Moon both pull on the oceans, their relative angles to the Earth causing different tide heights throughout a lunar month.

and Moon are at right angles to each other with respect to the Earth – their gravitational pulls tend to cancel out and so the bulges are less pronounced.

This is why relative tide height ranges change throughout a lunar month, *spring* (very high) tides when the Sun and Moon are in line with the Earth, *neap* (very low) tides when they are at 90 degrees (right angles) to each other, see Fig.3. Springs occur just after every full and new moon, typically between 36 and 48 hours later. Neaps occur when the Moon is in the first or third quarter.

The height of spring tides varies with the seasons. Those nearest the equinoxes (21 March and 21 September), when day and night have equal length, are somewhat higher.

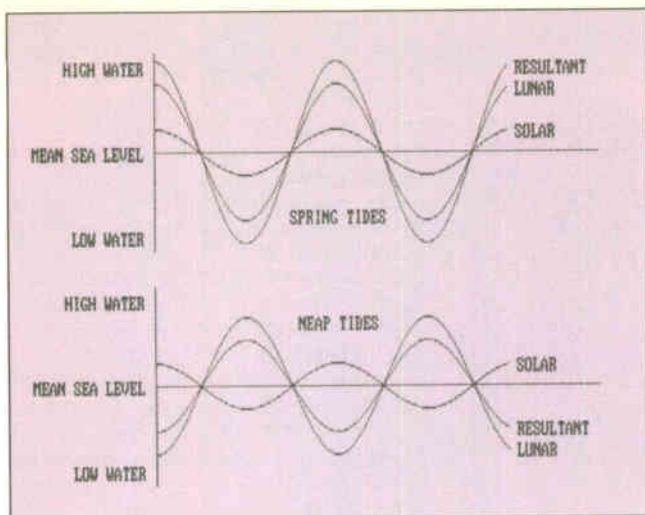


Fig.3. Spring and neap tides are caused by the relative changes of the Sun and Moon positions.

Because it takes longer for a volume of water to sweep up and down over a wide tidal high-low range than over a narrow range, so the period between the tides changes according to the Sun and Moon positions. Here, then, is the cause of the first deviation from the nominal 12 hours 25 minutes tidal period.

TERRAINOSAURUS

Another factor is the terrain over and through which the tidal mass has to travel. This has the effect of slowing or increasing the rate at which the tidal current flows back and forth.

Many other factors also affect the rate of tidal change. For example, river estuaries heavily influence the rate at which the tide can rise and fall, not only because of the funnelling effect, but also due to the volume of fresh water that rivers carry. An unpredictable factor also becomes apparent when seas and oceans suffer heavy storms, the high winds and abnormal atmospheric pressure causing the water mass to be shifted, resulting in higher tides on the receiving shores.

Nor does the Moon remain at a constant distance from the Earth, which in turn affects its gravitational pull on the tides. The moon's orbit is actually an ellipse, its distance varying from 221,460 miles (perigee) to 252,700 miles (apogee).

A similar factor relates to the Earth's

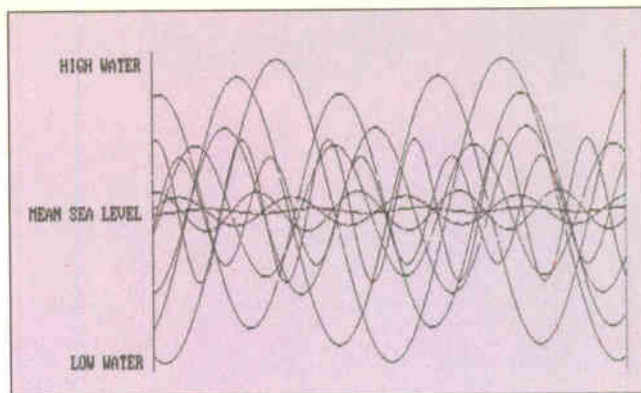


Fig.4. Many cycles other than those directly caused by the Sun and Moon affect tidal ranges. In the compilation of official tide tables, oceanographers could use as many as 115 separate components in their calculations, all having base data that has been recorded by observation over many generations.

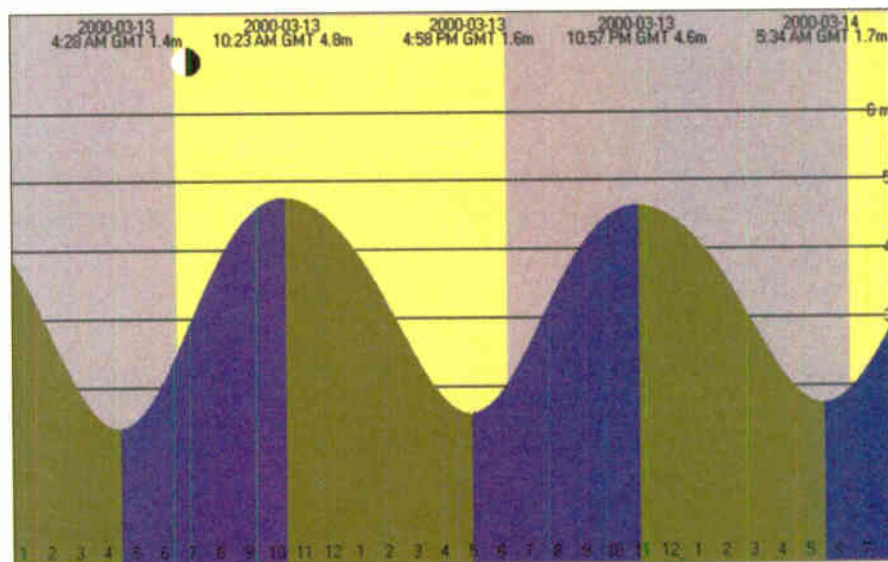


Fig.5. Screen dump of the tidal predictions made by web-based WXTIDE for Plymouth, UK, 13 March '00. Note the half-moon symbol.

orbit around the Sun, varying from 91,400,000 miles to 94,600,00 miles, with a mean distance of 92,957,209 miles.

OFFICIAL TIDE TABLES

In the UK, the Proudman Oceanographic Laboratories (POL) compute the official tide tables that are quoted in newspapers and other publications.

POL, in their web-based educational demo, state that their predictions can use up to 115 components, each with different frequencies, amplitudes and phases. A screen-dump of a simulation using only a few of the possible components is shown in Fig.4.

Rapidly, therefore, have we moved beyond the simple twelve and half hours tidal period referred to earlier.

Whilst the 115 or so variables can be calculated mathematically, you first need the data which defines them. And here's the rub – the data has been compiled over many generations through direct observation at specific locations, and the data can change as coastal erosion occurs. It is from the observational data that individual cyclic factors are extrapolated.

Some of the data is in the public domain (we shall quote a particularly good web-download source later, a screen dump of one of its prediction graphs is shown in Fig.5). Other data is copyright and needs to be purchased.

WITH THE FLOW

So, realistically, how many variables can be used by a computer program for predicting tides? The answer, in terms of hobbyist software writers, is very few.

Three were used in the author's early



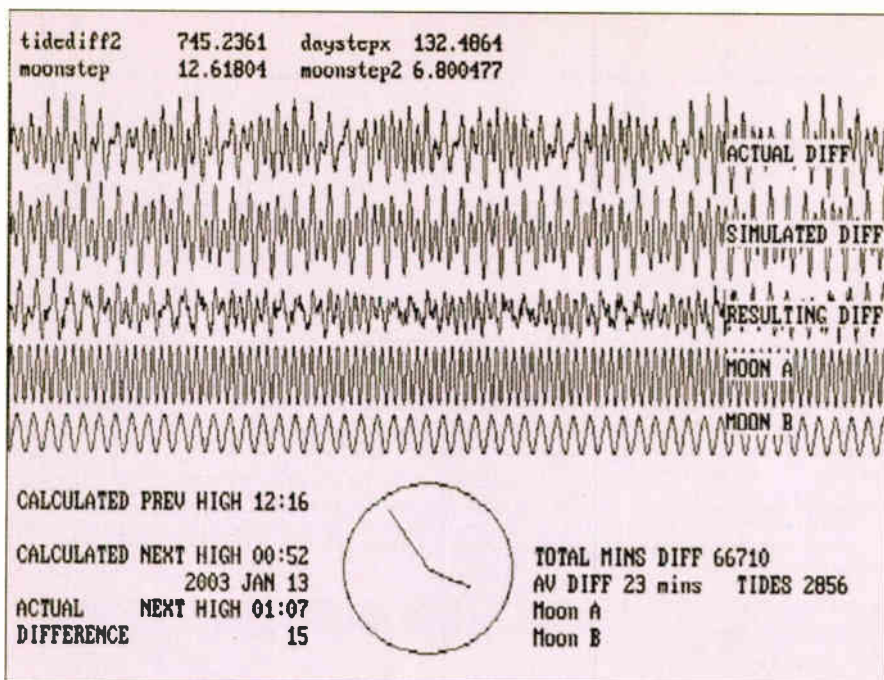


Fig.6. Screen dump of the author's computer-based tide prediction simulation over a 5-year period. The waveforms are explained in the text. It was from this simulation that the Canute Tide Predictor software for a PIC microcontroller was developed.

experimental PC software, daily Sun and Moon positions on fixed cycles, and a seasonal adjustment for the sun's angle to the equator, also on a fixed cycle.

The simulated tidal predictions were accurate to within about 25 minutes when compared against published official tide tables, which he had acquired over several years.

At the time, the author was unaware that tides were professionally predicted from observed data cycles rather than purely trigonometric values (sine waves, concentric circles, ellipses, parallelograms of forces, etc.).

No matter how hard he coaxed "ze little grey cells" and modified software, greater accuracy seemed unattainable. He didn't know why, and had been hoping to be within about five minutes of official predictions.

After several attempts over the years, he eventually gave up. Until that is, the South African reader offered his encouraging comments. Discussions with Editor Mike, who is a keen sailor, resulted in us concluding that such accuracy was irrelevant to most people. Even he initially only needed to know roughly the time of high or low water in Poole Harbour! Others might only need to know whether to go to the beach in the morning or the afternoon.

Consequently, it was decided that a simple microcontrolled unit with liquid crystal display and an accuracy somewhat less than that originally envisaged would suffice.

MICRO LIMITS

However, whilst the computer program was able to achieve accuracy to within about 25 minutes, the limitations of a small microcontroller prevent a similar accuracy being achieved by an inexpensive small handheld unit. Whereas a PC can store data in many files on disk or in its memory, a microcontroller has limited memory and data storage capacity.

Its processing speed also places a severe

limit on how many variables it can process while still maintaining accurate time and calendar data, even if the variables were to be held in external memory. The lack of multiplication and division commands on a typical microcontroller also impose processing speed problems.

It was decided, therefore, that only the two main variables, relative Sun and Moon positions, would be used in the basic calculations. In comparison with published tide tables for Plymouth (downloaded from the web), the accuracy of the author's prototype, as described here, remained within about one hour over a simulated five year period, with an average deviation of about 23 minutes, but with many predictions being much closer. A screen dump of the simulation is given in Fig.6.

Moon B waveform is the representation of the standard lunar cycle, Moon A represents the spring and neap tide cycle as caused by the relative angles of the Sun and Moon.

Although it may not be apparent from Fig.6, the Moon A and Moon B waveforms are sinusoidal, Moon A running at a cycle rate of just under twice that of Moon B (a ratio of 12.61804 to 6.800477) the amplitudes of the two waveforms are also precisely related, as are their initial phases.

The Actual Diff waveform is drawn from the downloaded tide values being pulled in from disk. The *Difference* being that between the basic 745.2361 minutes between tides, and that which actually exists. The Simulated Diff waveform is the sum of Moon A and Moon B, which is compared with the Actual Diff to produce the Resulting Diff. Had the Actual and Simulated Diffs been exactly matched, the Resulting Diff would be shown as a straight line.

Five years of tides (2856) are represented. A cumulative total of the Resulting Diff shows a value of 66710 which is divided by the tide count to produce an average difference of 23 minutes.

The "clock" is an animation illustrating the angles of Moon A and Moon B at any moment during the simulation.

The graph in Fig.7 illustrates a summary of this simulation. Horizontally, the graph shows the minutes deviation from the downloaded prediction. Vertically, the number of "hits" on the minutes of deviation are recorded.

CIRCUIT DIAGRAM

The Canute Tide Predictor is based on software embedded into a PIC16F876 microcontroller. This device, as discussed in previous *EPE* articles, has 8192 bytes of program memory available, 368 bytes of data RAM and 256 bytes of EEPROM data storage. The software will be discussed later.

First, let's quickly describe the Canute Tide Predictor circuit diagram, as shown in Fig.8, and the unit's construction.

The PIC microcontroller, IC1, is operated at 3.2768MHz as set by crystal X1. There are three pushbutton switches, S1 to S3, which control several functions, as discussed when the software is described. The switches are connected to Port A pins RA0 to RA2, which are normally biased low via resistors R1 to R3.

Data is output to the liquid crystal

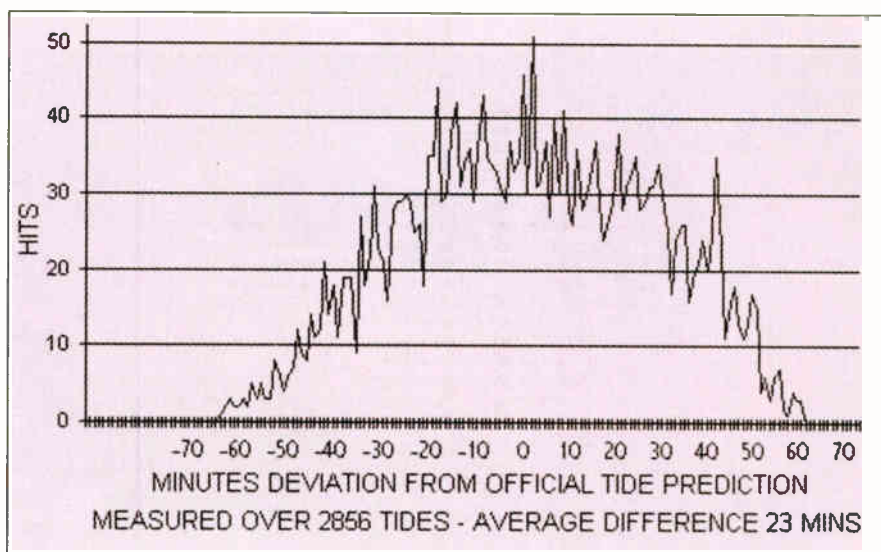


Fig.7. Screen dump of the tide prediction accuracy as calculated by the program referred to in Fig.6 and displayed using Microsoft Excel.

COMPONENTS

Resistors

R1 to R3 10k (3 off)
R4 1k
All 0.25W 5% carbon film or better.

See
SHOP
TALK
page

Potentiometer

VR1 10k min. round preset

Capacitors

C1 22 μ radial elect, 16V
C2 100n ceramic disc, 5mm spacing
C3, C4 10p ceramic disc, 5mm spacing (2 off)

Semiconductors

D1 1N4148 signal diode
IC1 PIC16F876 microcontroller, pre-programmed, see text
IC2 78L05 +5V 100mA voltage regulator

Miscellaneous

S1 to S3 min. push-to-make switch (3 off)
S4 min. s.p.s.t. or s.p.d.t. toggle switch (see text)
X1 3-2768MHz crystal
X2 16-character, 2-line alphanumeric liquid crystal display

Printed circuit board, available from the *EPE PCB Service*, code 267; 18-pin d.i.l. socket; terminal pins; case 150mm x 80mm x 50mm; connecting wire; 9V PP3 battery and clip (see text); solder, etc.

Approx. Cost
Guidance Only

£24

IC1, IC2, D1 and C1. Off-board connections are also shown in Fig.9. The use of 1mm terminal pins is recommended for these.

The l.c.d. may be supplied in one of two pin configurations, as given in Fig.10. The top configuration in Fig.10 is the one used by the author. This device was supplied with a ready-fitted connector which matches the pin order on the p.c.b. (see *Shoptalk*).

The plastic case used for the prototype is larger than actually needed and a

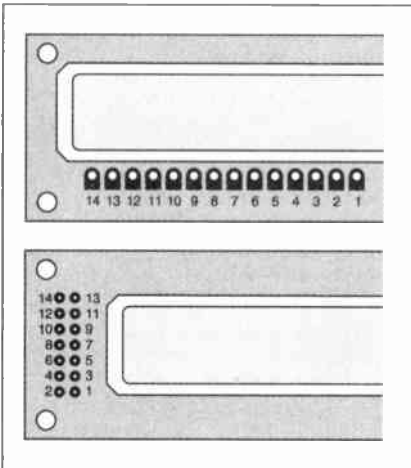
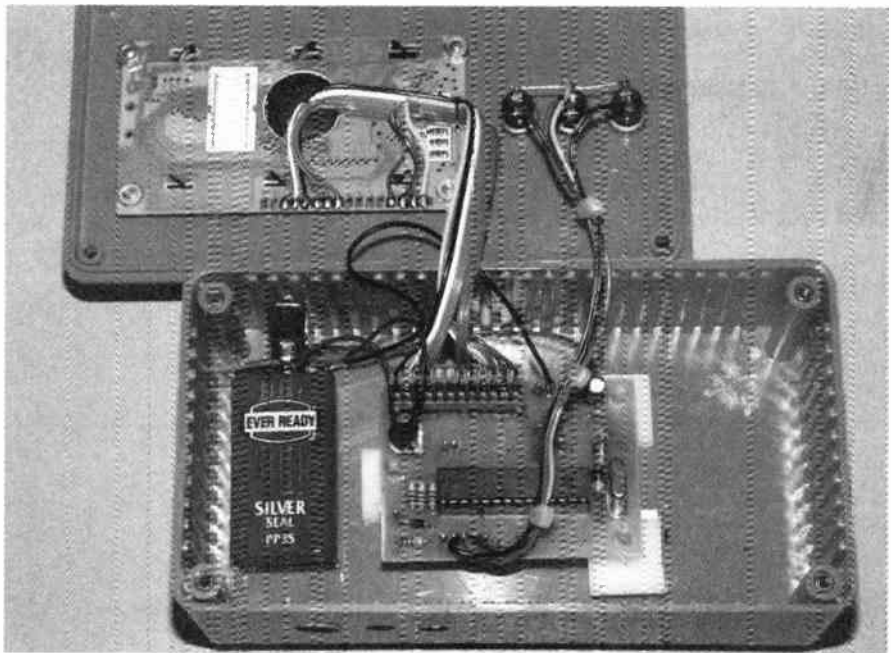


Fig.10. Pinout arrangement of the two basic l.c.d. formats.



Canute Tide Predictor mounted in its case. Note that the prototype p.c.b. differs slightly from the published version.

smaller one of suitable dimensions could be used instead. The cut-out for the l.c.d. can be made by drilling holes within the perimeter of the screen area, cutting or sawing between them, and then smoothing with a file. (Why on earth doesn't any manufacturer make plastic cases with the correct sizes of cut-out for standard alphanumeric l.c.d.s – anyone know an answer?)

PROGRAMMING THE PIC

Details for obtaining the software (which is available on 3.5-inch disk and via our web site), and preprogrammed PICs, are given in *Shoptalk*.

The initialising configuration required by those programming their own PICs is the *PIC Toolkit Mk2* default of Table 1:

TABLE 1

CPI	CP0	DBG	NIL	WRT	CPD	LVP	BOR	CPI	CP0	POR	WDT	OSI	OSO
1	1	1	1	1	1	0	0	1	1	0	0	0	1

Note that in common with a few other readers, the author has encountered what seems to be a bug in the PIC16F876. Under some programming circumstances (and they have not yet been established), the PIC can have one or more of its Code Protect flags undesirably set. It does not happen on every occasion.

The problem has been experienced by readers using several different types of PIC programmer. On the *PIC Toolkit Mk2* programmer the problem is revealed when the verification process (if active) states that masses of errors have been encountered.

The author found that, despite this message, the PIC had been correctly programmed. Consequently, unless you know that you have made a mistake (as listed on the error-reporting screen), you can probably assume that your device is correctly programmed. The truth of the matter will become apparent when you run the PIC in circuit.

Feedback is requested from readers who have experienced this code-protection

problem, and brief details of the conditions under which it occurred.

PROGRAM OPERATION

Before first powering up the Tide Predictor, press Mode/Reset switch S1 and keep it pressed while you switch on the power, S4. Assuming that you have made no assembly errors, you should see the screen activated for two lines of data stating:



Adjust preset VR1 until a reasonable image contrast is seen.

At switch-on, with Mode/Reset S1

pressed, the program resets all data to default values as written into the code. The data is copied into some parts of the EEPROM memory and some into the working variable registers.

LOOK-UP TABLES

Look-up tables for month and weekday names (abbreviated) are copied into EEPROM at known addresses, easing and speeding their future access. The time and calendar data for the instant that the year 2000 commenced is also stored.

Also stored in EEPROM are the values of the two variables used in the simulation of the Sun and Moon positions. These relate to tidal conditions at an imaginary location (but probably not far from Plymouth, Devon, UK) at that moment in time.

They have been calculated as preset values such that without further time correction a high tide occurring at 00:59 would be predicted. It is from these base values that all future tide predictions are calculated, irrespective of location and local time.

Release Mode/Reset S1. The screen will now display:



Note the flashing asterisk under the year 00. Using either pushswitch S2 or S3, the year value can be incremented or decremented. Press S1 to move the asterisk below the A of JAN, and the SET YOUR DATE message disappears. The month value can now be changed using S2 or S3.

The process is repeated for each of the other date and time factors. Once the hour value has been set and S1 pressed again, the tide prediction calculation is performed and the lower l.c.d. line will be similar to:



where the asterisk is again flashing and the time of the next high tide will be seen for the date you have set for the imaginary location referred to above.

You now need to refer to published tide tables in order to find out the actual high tide predicted officially for that date and following the basic clock time you have set. More details on finding such facts are given later.

The program allows the tide time to be increased or decreased in steps of six minutes, again using S2 or S3. The time is according to a 24-hour clock and rolls over appropriately depending on whether the value is being increased or decreased. Set the time for your next high tide.

Press S1 (Mode/Reset) again to change the lower line to read:

FAST/SLOW *+0000



This allows the real-time clock to be corrected to run faster or slower should the PIC's system clock not be running spot-on. You may not know for a few days whether or not it needs adjusting. Leave the value at zero for now.

Again press S1, causing the lower line to display the ALL DONE message:



Between you pressing S1 and this message appearing, the new data is stored in EEPROM and will stay there until you change it again, even when the Tide Predictor is switched off.

TIDAL BARGRAPH

With the ALL DONE message now displayed, pressing S1 again puts the Tide Predictor into its normal running mode.

On the top line is shown a bargraph, the darkened pixels indicating the current state of the tide. At the right of the top line will be seen either a ">" symbol, indicating that the tide is rising, or a "<" symbol indicating a falling tide.



The terms *rising* and *falling* should be treated loosely. What they mean here is that the predicted time is either still being approached, or that it has been passed. In reality, of course, the changeover between a tide rising and it falling is not instantaneous. There is a period known as *slack water* when it is doing neither of these things, and no tidal currents are flowing at that location.

The slack period varies according to location and the season, but a period of half an hour is not uncommon.

Each l.c.d. character cell (of which there are 16 per line) represents 30 minutes. Each cell has five columns of pixels, each column representing six minutes. After each group of six minutes, the display changes to show the appropriate number of darkened columns, increasing or decreasing according to the tide direction.

There is no fixed column number which indicates high or low water. As soon as the high or low water prediction time has been reached, the graph reverses direction at that point. In time you will recognise that this can give an indication of the height of tide extremes (in a relative sense, since actual tide height prediction in metres or feet is not possible without access to the data from which official sources calculate their tides).

Practical limits had to be set in the program to prevent extreme groupings of tide movements from trying to overshoot either end of the l.c.d. The graph will not exceed cell 15, nor go lower than column one of cell one. For the most part, the graph movement will be confined to well within these extremes.

NUMERIC DATA DISPLAY

In line two of the display are three numeric values. The centre value shows the current time, the colon flashing at a one second rate.

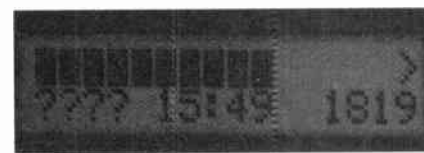


At the right is shown the time of high tide. When the tide is rising (> symbol), the time is that of the next predicted tide. When the tide is falling (< symbol), it is the time of the high tide that has passed. It only changes its value when the tide has fallen to its predicted low and starts to rise again.

On the left of line two, the value is the time of low tide, either that being

approached (< symbol) or the one that has passed (> symbol). The value only changes when the predicted high tide time has been reached.

Note that when the Tide Predictor is first switched on and the tide is calculated to be rising, only the time of the next predicted high tide is shown, with four question marks (????) being shown in the low tide time position.



Conversely, if the tide is falling, the four question marks will be in the high tide position, but with the next low tide time being shown in its own position. The next high tide will be shown after the low tide time has been reached.

Otherwise, the low tide value is only calculated and shown when the high tide turns and begins to fall.

CALENDAR DISPLAY

At any time during normal running, switch S2 (Plus/Calendar) can be pressed. The display then shows time and calendar data on its lower line. The upper line continues to show the tidal bargraph.

Pressing S2 again returns line two to the prediction times display.



ADJUSTING DATA

All timing factors may be adjusted during running. To enter adjustment mode, press Mode/Reset switch S1. The screen will then display the same set of changeable data as described earlier.

Any of the factors may be changed as before, simply pressing S1 to move between them. Again when all values have been changed as required, high tide prediction is calculated and all the data restored in EEPROM.

All calculations are made from the original reset default values (00:00 01JAN00) and you may "turn back the clock" if you need to.

POWER OFF

You may not wish to keep the Tide Predictor permanently switched on, and to avoid you having to fully reset all the calendar facts from 00JAN00, the data held in the EEPROM is updated at each high tide rollover.

This means that should you switch off and restart again at a later date, you only need to update from the last set of data stored before switch-off.

PIC CLOCK

The PIC's internal clock is set so that a clock updating routine is accessed at nominally once per second. However, the controlling crystal does not necessarily oscillate exactly at its stated rate of 3.2768MHz but is subject to a manufacturing tolerance. To compensate for this, the fast/slow

adjustment referred to earlier has been included.

Thus it is not exactly one second which is added to the clock each time the routine is accessed, but a value that can be set fractionally greater or smaller than this.

A 3-byte hexadecimal value is repeatedly added to an intermediate 3-byte counter, each time the counter rolls over to zero, so the seconds counter is incremented. As expected, the minutes counter is incremented every 60 seconds! The rest of the time and calendar data is updated as appropriate, including allowance for leap years.

When adjusting the fast/slow factor, each unit of change shown on screen represents one second change per 4,194,304 seconds. There are approximately one million seconds in 11.5 days, so the potential for clock-setting accuracy is good. (By using a 4-byte counter, the ratio could have been programmed so that each unit of adjustment represented one second per 2,147,843,648 seconds!)

CALCULATIONS

As stated earlier, tide predictions are made according to the relative angles of the Sun, Moon and Earth. On their own, these cycles do not take into account local time. For this data a third angular value is used, representing the 24-hour clock cycle, which can be set to suit any time zone.

The angular positions are simulated by using three hexadecimal counters to which fixed values, having several decimal places of accuracy (in hexadecimal notation), are periodically added. Tidal predictions are made according to the relative angle counts. The process is simple in principle, but complex in terms of the program commands required. It is beyond the scope of this article to describe how the results are achieved.

It is relevant, though, to quote the values which are used as the basis for the simulation:

The average difference between tides has been calculated according to the period of the Lunar Synodic Month (LSM), given in the *Astronomic Constants Index* (more details later) as 29.5305888844 days. From this, the average period between successive tides has been calculated as 745.2361 minutes, which equals 12 hours 25.23606 minutes – a value not too far off from the approximate value quoted earlier.

From the same source, the value for Earth Rotations per Lunar Orbit has been taken as 27.39646289 days. It is a sub-division of this period that is used to “modulate” the value of the LSM cycle to simulate the differing angles between Moon, Sun and Earth when prediction calculations are made.

The 24-hour clock angle, by fortuitous convention, rotates in a period of 24 hours!

These three values are subdivided within the program such that the three circular motions have their angles appropriately increased on each occasion that the l.c.d. clock value matches that of the predicted high tide time.

From the resulting angular relationships, the times of the next high and low tides are calculated. The next low tide time is immediately shown and the tide rising symbol changes to tide falling.

PANEL 1 – WHERE DOES IT GO?

It was when considering tidal constants for different locations that the author recognised an unexpected significance about them. Because the Earth is rotating beneath the Moon and Sun, it would seem reasonable to assume that the respective tidal bulges must remain at the same relative angle to them.

Thus, at the equator, the tidal bulge should travel a little over 1000 miles per hour (the circumference of the Earth being approximately 25,000 miles). At the latitude of Land's End (about 50°N) from the equator, a rate of about 330 m.p.h. might be expected. From this, high tide at Dover should be a little

under one hour earlier than at Land's End (about 350 miles west of Dover).

The reality is vastly different, as examination of tidal constants shows (and experience confirms – when did you last see a 330 m.p.h. tidal wave travelling up the English Channel?). In fact, the difference between high tide at Dover and Penzance (not far from Land's End) is about six hours.

So what causes a slower tidal front than logic would suggest, and what happens to the water that should be tracking the gravitational pull of our celestial neighbours? The author does not know. Answers addressed to *Readout*, please!

No change is made, though, to the high tide time already displayed. This now represents the time of the last high tide. For the moment, the newly calculated high tide value is simply stored.

About six (or so) hours later, when the l.c.d. clock value matches that of the low tide prediction, the stored high tide value is displayed, along with the tide rising symbol. The existing low tide value still on display is now regarded as the time of the previous low tide.

Between the instants of tide recalculation, the bargraph display is repeatedly updated to give a visual indication of the current tide state.

USING THE TIDE PREDICTOR

Earlier we described how the various time and date values could be changed. There is little more to using the Tide Predictor than that. In whatever part of the world that you live, providing that you can initially find out the high tide time for your preferred coastal location when first setting up the data, you can use this handy predictor.

Originally, it had been hoped to include the option to have the “tidal constants” for several locations to be programmed in and selectable. Sorry, but the author has decided the additional programming involved

would keep him indoors away from the sea this summer. Perhaps one day . . .

However, there is a simple solution you can use. Set up the Tide Predictor for your favourite location, and from the same source that you obtained its tide time data, also note the tide times for other locations on the same day.

Now work out and write down the time difference between your primary location and the others, to the nearest half hour perhaps. All you need do then is use a bit of simple mental arithmetic to predict tides for other locations from the primary value displayed on screen.

Should you ever feel the need to start the predictions again from zero, press switch S1 while switching on power using S4 (as described earlier).

PROUDMAN OCEANOGRAPHIC LABORATORY

The Proudman Oceanic Laboratory (POL) is the UK's official tide prediction organisation. Their Bidston Observatory is a recognised climatological station, reporting to the UK's Met Office at Bracknell.

POL has an excellent web site at www.pol.ac.uk and there are tutorial demos available for free download which illustrate the causes of tides and changes in

PANEL 2 – VITAL NOTE!

The Canute Tide Predictor has probably been one of the most challenging software controlled designs the author has ever produced (being preceded by a decade of programmed experiment!). The code routines have been difficult to write, but they seem to produce realistic values when compared against published tide tables.

However, the accuracy of the predictions cannot be guaranteed, even within the range stated earlier. There may be some combinations of angular values which the software does not handle correctly. Should you discover any, please tell the author the *exact* date, time and correction values when the error occurred, together with the *original* factors last programmed in via the switches.

DO NOT RELY ON THIS DESIGN'S TIDE PREDICTIONS FOR ANY SITUATION WHICH MIGHT ENDANGER LIFE. If you really need to know *exact* tide times, always ask the local Coast Guard and advise him of where you are going and when you expect to be back.

In his scuba-diving days, the author and fellow B.S.A.C. members used to be on CB-radio standby with our inflatables for the Coast Guard and R.N.L.I. in case of an in-shore waters emergency near our diving location. We responded on several occasions and know how important it is that people should be aware of tide and weather conditions when putting to sea in small boats or walking along shores where rising tides can cut off retreat.

the weather. A demo version of the POLTIPS tidal prediction software can be downloaded as well (the full version may be purchased). The site has links to other global tide prediction agencies.

A 58-page brochure detailing other facilities offered by POL can also be downloaded.

Records going back to 1845 are held by POL. For 125 years the readings were obtained by manual observation. Today they have an automatic weather logger which takes readings every three seconds.

There are occasional Open Days for which you can obtain free entrance tickets. This year (2000) the dates (as downloaded 10 March) are 4 June, 29 June, 7 July. Apply to Open Day Tickets, Proudman Oceanographic Laboratory, Bidston Observatory, Bidston Hill, Bidston, Prenton CH43 7RA. Tel: 0151 653 8633. Fax: 0151 653 6269.

WXTIDE

A really superb and highly interesting web site is that which can be accessed at www.geocities.com/SiliconValley/Horizon/1195/wxtide32.html (pointed out to the author by South African reader Johan van Rooyan). From this site tide prediction software (WXTIDE32), which probably has data for thousands of locations worldwide, is available for free download. The latest version 2.6 is 1.38Mb. An earlier version was heavily used in the final stages of designing and verifying this Tide Predictor.

The global locations offered, and preferences for the way in which data can be displayed, are available via drop-down menus. Some typical screen dumps are shown in Fig.5 and Fig.11.

Gratitude is expressed to Dave Flater, whose site it appears to be, and to all those who contribute to the site, which is well presented and maintained. There are also many links to other tide-related sites (plus some covering tornadoes, of which there are amazing photos that can be pulled in).

ASTRONOMICAL CONSTANTS

The Astronomical Constants Index was downloaded via www.geocities.com/

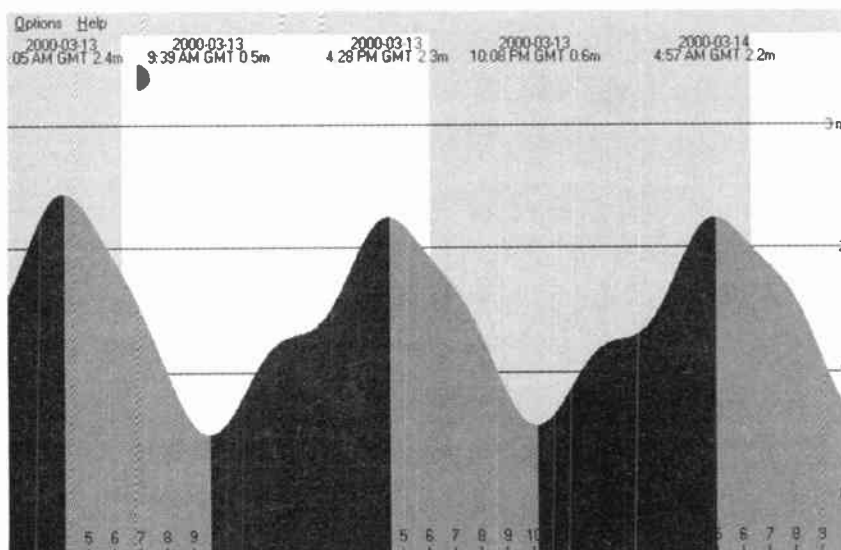


Fig. 11. Not all tidal movements seem sinusoidal. This screen dump shows a double-humped pattern for Yarmouth, Isle of Wight. Canute Tide Predictor does not attempt to match such waveforms.

PANEL 3 – TIDAL HISTORY

The first tide predicting machine was invented by Lord Kelvin in 1872. He knew that tidal patterns could be modelled using sine waves, and that a sine wave can be represented by the motion of a wheel that has its shaft off-centre (eccentric).

Kelvin used several different eccentric wheels, linked by a single wire around each of them along the machine. The combined effects of the up and down motion of the wheels resulted in a single up and down movement at one end of the wire to which a pen was attached, this movement simulating and illustrating tidal behaviour.

Arthur Thomas Doodson (1890-1968) used this principle to help calculate the

exact tides for the D-Day landings in 1944, having constructed a 42-variant version. It took this machine a day and a half to calculate the tides for one location for a year. Until computers took over, this machine remained the best in the world for tide prediction.

Doodson originally started work in Liverpool on tide prediction in 1919, ultimately making it his life's work. He and a certain Mr Proudman (of whom no more details are known) was instrumental in starting the Tide Institute at Birkenhead (now POL, named after Mr Proudman). Interestingly, a source name quoted on one POL document downloaded in 1999 is Valerie Doodson, presumably his descendent.

Athens/Olympus/4844. There are other related (and unrelated) downloads offered, including some fascinating material on archaeogeodesy ("that area of study encompassing prehistoric and ancient place determination . . ."), and astronomy in general.

James Q. Jacobs runs this site and it's well worth browsing in depth. He tells us, for example, that in a translation of the work *Aryabhata's Aryabhata, An Ancient Indian Work on Mathematics and Astronomy* the following is written:

"In a *yuga* the revolutions of the Sun are 4,320,000, of the Moon 57,753,336, of the Earth eastward 1,582,237,500, of Saturn 146,564, of Jupiter 364,224, of Mars 2,296,824, of Mercury and Venus the same as those of the Sun."

James believes that these are oldest exact astronomical constants known. He has calculated that Aryabhata's ratio would have been exact in 1604.4 BC, at which time there were 366.2563565652 Earth rotations per solar orbit. Astonishing accuracy! Especially so when you consider that the astronomical constant for 1 Jan 2000 was recently calculated by sophisticated modern equipment to be 366.25636031 rotations. The Earth's orbit (one year) is

currently 365.25636053 days. It is not known how the concept of a "yuga" was perceived.

OTHER SITES

The BBC web site at www.bbc.co.uk/education has links through which you can discover many things about science and technology, and gain access to related sites.

The UK Meteorological Office site is at www.met.gov.uk.

The equivalent US site (National Oceanic and Atmospheric Administration) is at www.noaa.gov.

OTHER SOURCES

Other sources of tidal information are:

- *Old Moore's Almanac* (a worthy source for such down-to-earth information), is often available from newsagents. It quotes high water data for London Bridge, plus corrective tidal constants for a few other UK locations. It also quotes dates and times for the moon's phases, and for sunrise and sunset.

- *The Times*, which quotes daily high tide times and heights for many locations around the UK.

- Annual tide prediction tables for local regions are available as handy-size booklets from yacht chandlers around the UK, and from some newsagents. These too give tide heights as well as times. Tidal constants for nearby locations are also given.

- The Coast Guard – see your local telephone directory. Dial 999 (in the UK) in case of emergency.

- Posters along beach resort and harbour promenades.

Regrettably, the Automobile Association has long since stopped publishing tidal data in its Members' Handbook.

TIDE LINES

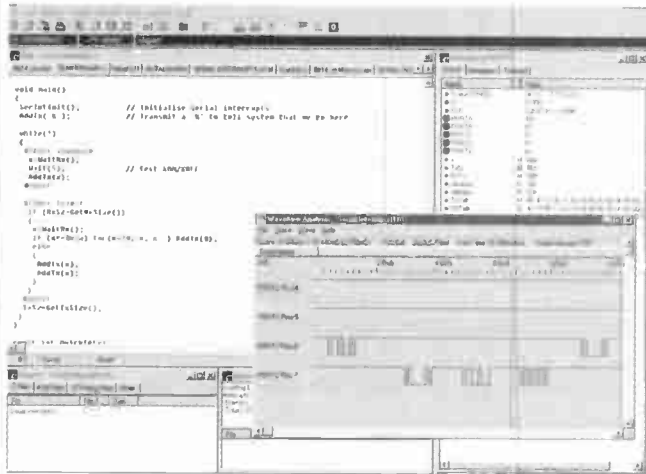
330 BC. Greek explorer Pytheas, on reaching the Baltic Sea, observes strong tides and theorises that they are caused by the Moon.

1609 AD. First attempt is made to harness tides in the Bay of Fundy as a source of power for small mills.

The FED PIC C Compiler - Rapid, Efficient, High level development

FED PIC C Compiler – Version 3.0 now available

- Designed to ANSI C Standards
- Complete development environment includes Editor, assembler, simulator, waveform analyser and terminal emulator (see screenshot below)
- Libraries include serial interfaces, I2C, LCD, keypads, delays, string handling, hardware etc.
- Simulator runs up to 10 times faster than MPLAB, allows inputs to be defined, multiple breakpoint types, single stepping, step over etc.
- Supports all 14-bit core PIC's – 12C67x, 16C55x, 16C6x, 16C7x, 16C8x, 16C87x, etc.
- Will produce code for MPLAB



LEARN to Program PIC's in C with FED!

With the FED introductory manual:
"Learn to program PIC's with FED PIC C"

- Suitable for complete beginners to PIC's or to the C programming language
 - Leads through example
 - Introduces simple C programs, then covers variables and casting, pointers, structures and unions, functions, etc.
 - All examples will run fully within the simulator, or on the FED 16F84 and 16F877 development boards
 - Covers use of interrupts and programming for real time applications
 - Hints and tips on good programming practice with the PIC
 - Full examples of debugging using FED PIC C are included
 - Included FREE on our PIC C Compiler CD ROM, or available in paper copy
 - Available only to existing or new customers for our C Compiler.

Prices (reductions for PICDESIM/WIZPIC users)

C Compiler with all manuals on CD ROM £60. CD ROM with printed manuals £75.

Upgrade – PICDESIM/WIZPIC users £45.00 CD ROM.

"Learn to program PIC's with FED PIC C" – £7.50.

Programmers for PIC & AVR



PIC Serial Programmer (Left)

Handles serially programmed PIC devices in a 40-pin multi-width ZIF socket. 16C55X, 16C6X, 16C7X, 16C8x, 16F8X, 12C508, 12C509, 16C72XPIC 14000, 16F87X, etc.

Also In-Circuit programming. Operates on PC serial port

Price : £45/kit
£50/built & tested

PIC Introductory – Programs 8 & 18 pin devices : 16C505, 16C55X, 16C61, 16C62X, 16C71, 16C71X, 16C8X, 16F8X, 12C508/9, 12C671/2 etc. **£25/kit.**

AVR – AVR – 1200,2313,4144,8515, 8535, 4434 etc. in ZIF. 4.5V battery powered. **Price : £40 for the kit or £45 built & tested.**

All our Programmers operate on PC serial interface. No hard to handle parallel cable swapping ! Programmers supplied with instructions, + Windows 3.1/95/98/NT software.

Upgrade programmers from our web site !

WIZPIC

PIC Visual Development



- Rapid Application Development for the PIC microcontroller
- Drag and drop your software component selections on to your design

- Included components support timers, serial interfaces, I2C, LCD, 7-Seg displays, keypads, switches, port controls, and many more.
- Connect software components to PIC pins by point & click using the mouse
- Set parameters for each component from drop down list boxes, check boxes, or text entry
- Links your code automatically into library events (e.g. Button Pressed, Byte Received etc)
- Up to 10 times faster than MPLAB
- Supports all 14-bit core PIC's -12C67x, 16C55x, 16C6x, 16C7x, 16C8x, 16C87x etc.

Cost – CD-ROM with Data sheets and application notes – £35.00, Floppy version £30.00.

Forest Electronic Developments

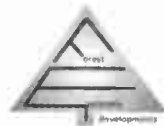
60 Walkford Road, Christchurch, Dorset, BH23 5QG.

E-mail – info@fored.co.uk, or sales@fored.co.uk

Web Site – <http://www.fored.co.uk>

01425-274068 (Voice/Fax)

Prices are fully inclusive. Add £3.00 for P&P and handling to each order. Cheques/POs payable to Forest Electronic Developments, or phone with credit card details.



16F877

Fully supported by WIZPIC, PICDESIM, the serial programmer and our C Compiler.

16F877-04 £5.50
16F877-20 £6.00

READOUT

John Becker addresses some of the general points readers have raised. Have you anything interesting to say? Drop us a line!

WIN A DIGITAL MULTIMETER

A 3½ digit pocket-sized I.c.d. multimeter which measures a.c. and d.c. voltage, d.c. current and resistance. It can also test diodes and bipolar transistors.

Every month we will give a Digital Multimeter to the author of the best *Readout* letter.



★ LETTER OF THE MONTH ★

SPUTNIK RECALLED

Dear EPE,

I have retired after some 41 years working for the best broadcasting co-operation in the whole world and must say how I enjoy my monthly copies of *EPE* and using my soldering iron again.

Your articles titled *Technology Timelines* really stirred the cobwebs of my early days as a young engineer working at the BBC's Receiving Station at Tatsfield in Kent/Surrey and brings to mind the Geophysical Year (July '57-Dec '58). We were particularly interested in the sunspot activity which caused total ionisation of the short wave radio spectrum, resulting in loss of short wave propagation and consequently total loss of signal from around the world with what is nicknamed a "Dellinger" blackout.

We used to check the sunspots daily through a telescope projected onto a white cardboard display where the sunspots would show as black dots progressing across the equator of the sun. The more the spots, then lots more blackouts were the norm, with various lengths of duration from 10 minutes to as much as over half an hour.

In Messers Brown and Maxfield's article they date *Sputnik 1* as October 4th 1957 and well I remember this amazing event when senior engineer Mr Cyril Dobner was on duty on nights at Tatsfield, trawling the short wave bands measuring the American station WWV clock from North Carolina (at 2300 hrs). A frequency check for Westerly propagation was checked out at 5/10/15MHz and finally 20MHz, whereupon he found this enormous signal with *no normal 1-second time clicks on it*, and it was only when he checked with a BFO that he discovered that the signal had Doppler shift on it, which shifted from 20-008MHz right down to 20-005MHz and then it faded away!

It was shortly discovered by our Mr Geoffrey Judson that there were two plain carriers which were switched between 20-005MHz and 40-010MHz and consequently sounded like pulses. The so-called "Morse Code" was only produced by switching a beat frequency

oscillator against these plain carriers (which were all equal in length by the way) and one had to manually chase the signal to nominal frequency to hear anything at all. We measured the signal at plus 30mV per metre at peak, received with our own Research Department designed remotely steerable wideband helix aerial, which we originally used for chasing *Echo 1*.

Radio Moscow then announced to us that the worlds first satellite had been successfully launched and was orbiting the earth every 86 minutes, proving that the captured Russian/German scientists were better than the American/German scientists. In those days we were the only people that checked the world's radio spectrum. As far as it was alleged, Jodrel Bank went home on Friday evening and Kettering Grammar School didn't enter the satellite business for years to come.

It was later in 1962 that *Telstar* was launched and I know that we engineers watched TV as the Post Office were chasing its radio/TV link. It was ages before the shout went up that one searcher had "found it" much higher than the pilot signal was supposed to be.

As far as we know, we were the first to measure actual radio Doppler shift to be broadcast and if only the GPO had asked us to search for that signal I am sure that a much longer television picture would have resulted for the first transatlantic audience to witness. All the best for a super magazine and thanks for the memory, now back to that kids' "Brain Game" kit, for my grandson of course!

**Dave Bishop, Tatsfield,
via the Net**

How fascinating that you experienced the event "as it happened". I too recall the event but only as a childhood memory of the radio news broadcasts and newspapers. I also recall the disbelief of many of the adults around me, including teachers, who thought that the whole thing was a hoax, stating that science fiction could never become science fact. Yet we now all take satellites as an inevitable part of life.

think in this reader's case the difference in capacitor leakage (mine was nothing special, just a standard junk-box cap) or TV input impedance might be to blame.

A Letter From America asked whether the circuit would work with the NTSC system they have over there. The circuit is designed for use on PAL systems, mainly when making a back-up copy of a "Noisy" tape or if "Interference" is experienced. Unfortunately, I do not have access to NTSC VCRs or tapes for testing. I think it may only be a case of altering the timings; I would be most interested to hear if that gentleman has any success in this direction.

The unit is not designed to interface and de-scramble Satellite video, sorry.

Mike Delaney, via the Net

Thanks Mike - but why go to Brazil when Wimborne has its own Carnival, and without that frightful heat?!

REASSURANCE AND SUGGESTIONS

Dear EPE,

Yours is a great magazine and as a regular subscriber (I'm laying it on thick now) I don't think you need concern yourselves with the "complaint" E-mail referred to in *Readout* of the April '00 issue. The sender of the E-mail will not find a better magazine or any more informative and practical advice or articles around. The web sites the complainant so obviously favours may have wonderful search engines but also invariably have no true knowledge to pass on.

John Becker, at the end of the *Micro-PICscope* project (April '00) asks for suggestions for PIC based projects and I have a suggestion:

The idea is for an electronic device which will peak detect audio frequencies fed it from an electric guitar, remove the fundamental frequencies (the notes being played) and convert these to a MIDI data stream on a DIN output port and a PC joystick style output port. Two outputs are required as MIDI uses such low currents that "Y" connectors are not suitable.

How about a six-transducer add-on that would enable the above project idea to detect the notes being played by each string, analyse them at the same moment in time and code the chord (notes played in parallel) data. Oh, and make the tea!

I've enjoyed all the PIC projects published and particularly the MIDI and musical ones: from the *MIDI Analyser* in May '96 through the *MIDI Handbells* (May '99), *PIC-olo* (Aug '97), *Mini Organ* (Dec '97), and *PIC-a-Tuner* (May '97).

If you look at the web site www.qvox.com and their product the GVOX Guitar Pickup you will find where I got the idea for the chord data being detectable. I guess they use each transducer to pickup a separate signal, this being the reason you need to fit a new transducer to your guitar.

Owen Whitefield, via the Net

In one respect, Owen, what you propose seems quite feasible, although it would take a guitar playing electronics designer to achieve it (regretably I never got on well with guitars, fingers and correct notes!).

On another level you've hit a sore spot with this suggestion, which implies the additional question of how you could achieve the same ends without several transducers. Some time back I spent several months trying to write software that would analyse the frequency content of an harmonic-rich musical theme. I failed!

As I reported in Readout (my memory doesn't say when), I eventually discovered that major chip and software companies were also working to crack the problem, but at that time even they had not succeeded.

While it is easy to establish the frequency of individual musical notes, the situation becomes immensely complicated when there are two or more notes occurring as a composite.

So, all in all, thanks for your suggestion, but personally I won't take you up on it! However, does any reader think he or she might achieve frequency analysis simply and in real time, either using separate transducers for individual guitar strings, or just software to extract the data from a single mix of notes?

VIDEO CLEANER

We have been receiving a number of letters from readers about the Video Cleaner (Feb '00) and which we have been forwarding to the designer, Mike Delaney. Mike has kindly sent the following "cover-all" reply (while "180 miles east of Fortaleza, Brazil, heading west to the Carnival, temperature 32°C, skies clear and blue..."):

One reader (in Florida) queried the value of capacitor C7, 22µF, suggesting that it should be changed to 6µ8F. I arrived at the value chosen by experimenting with my domestic set up, and that of my friend. In my design, apart from the oscillator components, the only component values which are "Cast in Concrete" are the gain-determining and impedance-matching resistors around the two multiplexers, IC3 and IC4. I experimented with the R9/C10 network on the LM1881, and decided that the manufacturer's suggested values worked well with my board. I

PORT INVERSION

Dear EPE,

We actually spoke on the phone a few weeks ago, when I called to query some of the things in your excellent *Teach-In 2000* series. The main problem that I had was that I was getting no joy from the computer interface which was set up in the Feb '00 issue. Since then I had no more luck and resigned myself to having gone as far as I could with *Teach-in 2000*.

However, when I was browsing through the letters page of the April '00 issue I spotted the letter from Hitesh Lala. Trying his suggestion, lo and behold life in the interface. As soon as I reversed the polarities, it started working as expected except that where you say I should have logic 1s on the screen, I have 0s, and vice-versa. I will now explain exactly what I am getting as I follow the instructions on pages 134/135 of the Feb issue.

Firstly, the output box: with the meter -VE to p.c.b. ground, and +VE to any output pin, I get 0V when the byte is set to 1 in the box and a deflection to the left when the byte is set to 0 (I should have noticed this before). So I reverse the meter so that meter +VE is to p.c.b. ground and meter -VE is to the output pin. Now the circuit behaves as described except that I get +5V when the byte = 0 and 0V when the byte = 1.

Secondly, the input boxes: when first plugged in the left-hand one reads 01111000, and the right-hand one 00011111 (in fact this is nearly what your photo at the top of page 135 shows). When I touch battery -VE to p.c.b. ground and battery +VE to any input I get nothing. When I touch battery +VE to ground and -VE to any input, the respective 1 in the right-hand box changes to a 0. Completely back to front.

I work around the periphery of electronics on the repair side, so I am familiar with soldering and which leads go where on a multimeter. These possibilities for mistakes have been checked. My meter is connected properly and my soldering has been subjected to continuity tests, and checks out. My computer's printer works perfectly from the same port. It is a Packard Bell 486 that I have had for about five years.

Needless to say it is a credit to the series that I managed to get as far as I did. That working oscillator was my pride and joy for weeks until all my friends had seen it 20 times and my partner, who is a complete technophobe, almost understood it herself (guess who programs the video in our house). I do find it absolutely fascinating and the possibility that I could communicate with my own computer was a real boost. So it is with disappointment and hope that I relate this tale.

Chris Cooper, Malton, North Yorkshire

This port problem has been experienced by a handful of other readers as well, and we cannot establish why it should be happening. All of the many computers of various ages, makes and capabilities that I have tried with the Teach-In board all work successfully.

We wonder whether the next letter, from David Godbolt, might hold the clue:

PORT CABLES

Dear EPE,

On testing the Centronics to computer cable, I could not get a ground (0V) connection relative to the ground of your *Teach-In* board. So I bought a new cable for it thinking that mine was faulty. This did not work either, so I took it back and explained the problem and they replaced it with a super state-of-the-art IBM compatible, bi-directional, etc., cable. This worked. I got proper readings on all eight pins, but only 4V. The cable was 7.5 metres and I thought perhaps the voltage drop was due to the length of the cable so I took it back again and got a replacement (same thing but 1.5 metres) – and guess what, it did not work!

It turns out that with each PC to Centronics cable there seems to be at least three different

wiring arrangements, even though the fittings at each end are the same:

● Type 1 – no pins connected to ground, but case connected to ground.

● Type 2 – one pin only connected to ground.

● Type 3 – at least five pins connected to ground.

Type 3 was the only one that worked but I could not get that one in a shorter length, so only got 4V.

Question 1 – would 4V be sufficient anyway?

Question 2 – Does anybody else have this problem? In the shop they seem to think that it is a very special requirement. Is a special cable needed?

David Godbolt, via the Net

We were totally unaware that PC to Centronics printer port cables might differ. We have numerous such cables and all work interchangeably and we have never had to specify a particular type when purchasing new ones. It had been assumed that IBM PC-compatible computers would all be identically compatible in respect of parallel printer port connections. Would readers who know about such things please advise us.

The Teach-In board was designed to minimise the number of soldered connections that inexperienced constructors would have to make. Consequently, only one 0V connection was incorporated, that being the one at the "front" of the connector.

Readers who are having problems which might be attributable to the printer port connection should try connecting all the 0V pins to the 0V pin already in use on the Teach-In board.

The IBM data we have states that Centronics parallel printer connectors have 0V at the following pins: 16, 17, 19 to 30 and 33. On the Teach-In board connector, pin 1 is that to the left of the Data Out 0 connection, pin 19 is that "behind" pin 1.

Regarding David's first question, it is likely that 4V may well suffice for the Teach-In demo circuits.

DOS ERROR

Dear EPE,

Using *Toolkit V2.3* on Win 98, I get "Main program unforeseen DOS error number 62 route 6" when trying to use menu option 8 – text convert file TASM to MPASM. Same error occurs both in a Win 98 DOS box and if TK is run at the command prompt (Win98 "MS DOS mode"). I've been able to use option 5 (TASM bin – MPASM hex) OK. The screen says please advise you so please consider yourselves advised.

Malc Wiles, via the Net

To which I replied: Error 62 is "Input past end of file". This could be caused by non-text characters somewhere in the file you are importing. Malc responded:

Yes, that would be it. One of the text editors I'm using puts an EOF (CTRL-Z, 0x1A) character at the end of file. If I delete that character, the problem goes away. The message is a bit misleading because the 0x1A char is the last character in the file – there is no input past the end of the file! The big blue screen seems a touch draconian as a reaction, too, a bit too reminiscent of major Windows crashes... EOF character insertion is not unusual behaviour by (particularly older) DOS editors (I use two different ones that both do it), and I'd suggest future versions of the program should just quietly ignore anything in the input file after the END.

Thanks for comments Malc. Would that I had the time to give every aesthetic touch to my screen displays as an art form! Correct functionality has to be the prime consideration in an over-crammed schedule – candles being burned at more than two ends... What's wrong with MS blue, anyway? Sometime I'll look into 0x1A, it is a problem that can crop up in Basic.

FOND FAREWELL

Dear EPE,

I have received your magazine's subscription renewal form but I shall not be renewing, for the following reason:

My association with *EPE* goes back to 1990. I was at teacher's training college in South Africa then; studying to be a teacher of Electronics and Electrical Engineering – what is commonly known over there as "Technika Electronics or Electrical".

Our electronics lecturer (who shall, for reasons soon to be revealed, remain nameless!), during the course of our final (4th) year handed us a whole wad of photocopied notes on C&G basic electronics, digital theory etc – all faithfully copied out of *EPE* magazines! These stood us in good stead as supplements to our notes as we were very close to exams – I passed!

My first subscription to your magazine was in (here I go again, taxing my memory, my doctor's warned me not to do this!) 1993/4, somewhere around there! It was because of *EPE*'s amateur radio column that I became involved in amateur radio of which packet radio is my favourite! (When my wife and I and our two boys emigrated here to Cornwall in 1998, I converted my ZR call-sign to a British Class B licence – although I'm presently inactive due to work pressures). I have delved into my *EPE*s on many an occasion looking for, and finding, answers to my questions about the finer points of capacitor identification (*Circuit Surgery* – thanks Alan!), Class A amplifier design and other such intricacies – in fact I've even cobbled together a car alarm using two separate alarm projects featured in *EPE*.

So to come to the reason why I won't be renewing:

EPE opened up the world of electronics for me and introduced me to its diversity (power supply design and construction, PICs, computers, amateur radio, etc). Which brought me to realise that teaching was all fine and well but clearly my interests lay elsewhere, i.e. computers. I am now an A+ Certified Service Technician and work for a software company based in Stratford and Plymouth as their "technical support person" – I spend my days remotely trouble-shooting business PCs, and it's challenging, rewarding and fun! I have found my "niche" (for now :-), and unfortunately I now find I have less and less time to spend on my older hobby of electronics. So rather than waste a good magazine subscription by having it lie on my shelves gathering dust, I felt it best to stop.

My oldest son is five and is being home-educated, he has a great interest in Lego, tools, and "helping dad", we've bought him a toolkit for his birthday, and I hope, with the help of my issues of *EPE*, to introduce him and his younger brother to the same wondrous world of electronics – in all its facets. If he or anyone else in my family for that matter ever expresses an interest in electronics magazines I shall be E-mailing *EPE* Subscriptions again.

I wish you and your staff well for the future, you have had the good sense to move with the times and embrace new technologies, merging them into a well-established publication with great thought and obvious attention to detail, and those are not empty words – I have a shelf here at home which periodically groans under the weight of five or so years worth of *EPE* mags; and I won't part with them – not for love or money (I shipped more than half of them over here when we emigrated).

Your magazine has in the end been partly responsible for my career change. I've not had reason yet to regret the association, I doubt I ever will. Once again, best wishes.

Mark Lamprecht, via the Net

We thanked Mark for the support that he has given to us over the years and expressed our regrets that, for the moment at least, he will not be rejoining us through subscription (it's sad that he probably will not actually read this edition of Readout).

May his sons one day join us in his place.



Get More in a Flash

Discover the power and flexibility of an 8-bit PICmicro® RISC MCU with FLASH. The possibilities are endless! When you incorporate self-programming and two-wire In-Circuit Serial Programming™ over the entire voltage range, *without* external components. PICmicros feature an operating voltage from 2V, 10-bit A/D converter with up to 8 channels, RS-485 type USART, up to 256 bytes high-endurance EEPROM data

memory and up to 5 MIPS performance. For added flexibility, the PICmicro MCU Migratable Memory™ path gives you socket compatible OTP, ROM and FLASH MCUs... and a design without limits. Add world-class development tools and technical support and you've got the most complete 8-bit RISC MCU solution with FLASH.

Italy: + 39 039 689 9939 France: + 33 (0) 1 69 53 63 20
Germany: + 49 (0) 89 627 1440 UK: + 44 (0) 118 921 5818



MICROCHIP

The Embedded Control Solutions Company®

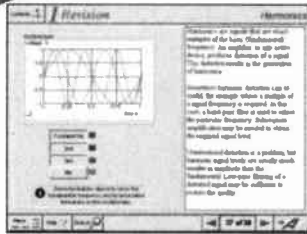
The Microchip name, logo, PIC, PICmicro and The Embedded Control Solutions Company are registered trademarks and Migratable Memory and In-Circuit Serial Programming are trademarks of Microchip Technology Inc. in the USA and other countries. © 1999 Microchip Technology Inc. All rights reserved.

Explore the Universe of Embedded Control at www.microchip.com

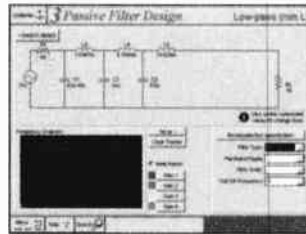
Everyday Practical Electronics are pleased to be able to offer all readers these **ELECTRONICS CD-ROMS**

NEW

FILTERS



Filter Theory



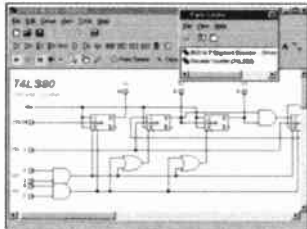
Active filter synthesis

Filters is a complete course in designing active and passive filters that makes use of highly interactive virtual laboratories and simulations to explain how filters are designed.

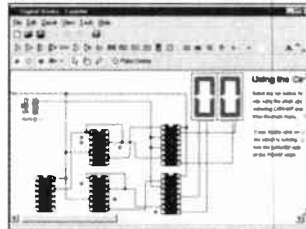
It is split into five chapters: **Revision** which provides underpinning knowledge required for those who need to design filters. **Filter Basics** which is a course in terminology and filter characterization, important classes of filter, filter order, filter impedance and impedance matching, and effects of different filter types. **Advanced Theory** which covers the use of filter tables, mathematics behind filter design, and an explanation of the design of active filters. **Passive Filter Design** which includes an expert system and filter synthesis tool for the design of low-pass, high-pass, band-pass, and band-stop Bessel, Butterworth and Chebyshev ladder filters. **Active Filter Design** which includes an expert system and filter synthesis tool for the design of low-pass, high-pass, band-pass, and band-stop Bessel, Butterworth and Chebyshev filters based on the use of op.amps.

NEW

DIGITAL WORKS 3.0



Macro screen

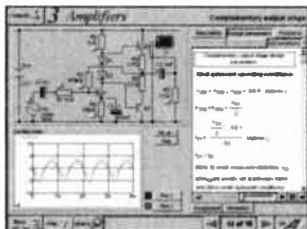


Counter project

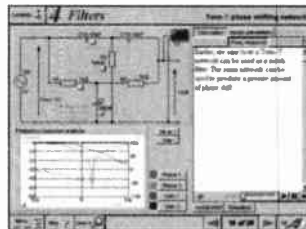
Digital Works Version 3.0 is a graphical design tool that enables you to construct digital logic circuits and analyze their behaviour. It is so simple to use that it will take you less than 10 minutes to make your first digital design. It is so powerful that you will never outgrow its capability.

- Software for simulating digital logic circuits
- Create your own macros – highly scalable
- Create your own circuits, components, and i.c.s
- Easy-to-use digital interface
- Animation brings circuits to life
- Vast library of logic macros and 74 series i.c.s with data sheets
- Powerful tool for designing and learning

ANALOGUE ELECTRONICS



Complimentary output stage

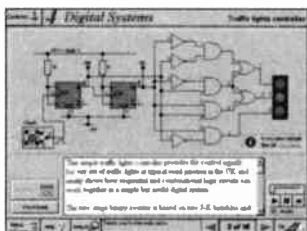


Twin-T phase shifting network

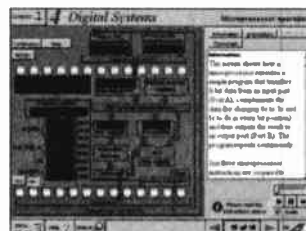
Analogue Electronics is a complete learning resource for this most difficult branch of electronics. The CD-ROM includes a host of virtual laboratories, animations, diagrams, photographs and text as well as a SPICE electronic circuit simulator with over 50 pre-designed circuits.

Sections on the CD-ROM include: **Fundamentals** – Analogue Signals (5 sections), Transistors (4 sections), Waveshaping Circuits (6 sections), **Op.Amps** – 17 sections covering everything from Symbols and Signal Connections to Differentiators. **Amplifiers** – Single Stage Amplifiers (8 sections), Multi-stage Amplifiers (3 sections). **Filters** – Passive Filters (10 sections), Phase Shifting Networks (4 sections), Active Filters (6 sections). **Oscillators** – 6 sections from Positive Feedback to Crystal Oscillators. **Systems** – 12 sections from Audio Pre-Amplifiers to 8-Bit ADC plus a gallery showing representative p.c.b. photos.

DIGITAL ELECTRONICS



Virtual laboratory – Traffic Lights



Microprocessor

Digital Electronics builds on the knowledge of logic gates covered in *Electronic Circuits & Components* (opposite), and takes users through the subject of digital electronics up to the operation and architecture of microprocessors. The virtual laboratories allow users to operate many circuits on screen.

Covers binary and hexadecimal numbering systems, ASCII, basic logic gates and their operation, monostable action and circuits, and bistables – including JK and D-type flip-flops. Multiple gate circuits, equivalent logic functions and specialised logic functions. Introduces sequential logic including clocks and clock circuitry, counters, binary coded decimal and shift registers. A/D and D/A converters and their parameters, traffic light controllers, memories and microprocessors – architecture, bus systems and their arithmetic logic units.

PRICES

Prices for each of the CD-ROMs above are:

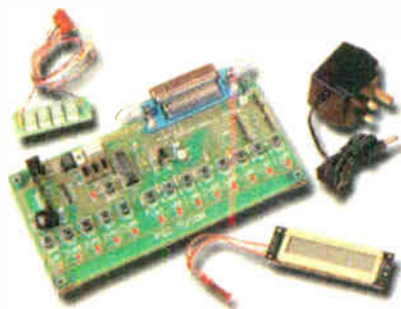
- Hobbyist/Student£45 inc VAT
- Institutional (Schools/HE/FE/Industry).....£99 plus VAT
- Institutional 10 user (Network Licence)£199 plus VAT

(UK and EU customers add VAT at 17.5% to "plus VAT" prices)

Interested in programming PIC microcontrollers? Learn with **PICtutor** by John Becker



The Virtual PIC



Deluxe PICtutor Hardware

This highly acclaimed CD-ROM, together with the PICtutor experimental and development board, will teach you how to use PIC microcontrollers with special emphasis on the PIC16x84 devices. The board will also act as a development test bed and programmer for future projects as your programming skills develop. This interactive presentation uses the specially developed **Virtual PIC Simulator** to show exactly what is happening as you run, or step through, a program. In this way the CD provides the easiest and best ever introduction to the subject.

Nearly 40 Tutorials cover virtually every aspect of PIC programming in an easy to follow logical sequence.

HARDWARE

Whilst the CD-ROM can be used on its own, the physical demonstration provided by the **PICtutor Development Kit**, plus the ability to program and test your own PIC16x84s, really reinforces the lessons learned. The hardware will also be an invaluable development and programming tool for future work. Two levels of PICtutor hardware are available – Standard and Deluxe. The **Standard** unit comes with a battery holder, a reduced number of switches and no displays. This version will allow users to complete 25 of the 39 Tutorials. The **Deluxe** Development Kit is supplied with a plug-top power supply (the **Export** Version has a battery holder), all switches for both PIC ports plus l.c.d. and 4-digit 7-segment l.e.d. displays. It allows users to program and control all functions and both ports of the PIC. All hardware is supplied **fully built and tested** and includes a PIC16F84.

PICtutor CD-ROM

Hobbyist/Student.....£45 inc. VAT
 Institutional (Schools/HE/FE Industry)£99 plus VAT
 Institutional 10 user (Network Licence).....£199 plus VAT

HARDWARE

Standard PICtutor Development Kit£47 inc. VAT
 Deluxe PICtutor Development Kit£99 plus VAT
 Deluxe Export Version£96 plus VAT
 (UK and EU customers add VAT at 17.5% to "plus VAT" prices)

ELECTRONIC CIRCUITS & COMPONENTS + THE PARTS GALLERY

Electronic Circuits & Components provides an introduction to the principles and application of the most common types of electronic components and shows how they are used to form complete circuits. The virtual laboratories, worked examples and pre-designed circuits allow students to learn, experiment and check their understanding. Sections include: **Fundamentals**: units & multiples, electricity, electric circuits, alternating circuits. **Passive Components**: resistors, capacitors, inductors, transformers. **Semiconductors**: diodes, transistors, op.amps, logic gates. **Passive Circuits**. **Active Circuits**

The Parts Gallery will help students to recognise common electronic components and their corresponding symbols in circuit diagrams. Selections on the disk include: **Components**, **Components Quiz**, **Symbols**, **Symbols Quiz**, **Circuit Technology**

Hobbyist/Student.....£34 inc VAT
 Institutional (Schools/HE/FE/Industry).....£89 plus VAT
 Institutional 10 user (Network Licence).....£169 plus VAT

(UK and EU customers add VAT at 17.5% to "plus VAT" prices)

MODULAR CIRCUIT DESIGN

This CD-ROM contains a range of tried and tested analogue and digital circuit modules, together with the knowledge to use and interface them. Thus allowing anyone with a basic understanding of circuit symbols to design and build their own projects.

Essential information for anyone undertaking GCSE or "A" level electronics or technology and for hobbyists who want to get to grips with project design. Over seventy different Input, Processor and Output modules are illustrated and fully described, together with detailed information on construction, fault finding and components, including circuit symbols, pinouts, power supplies, decoupling etc.

Single User Version £19.95 inc. VAT
 Multiple User Version £34 plus VAT

(UK and EU customers add VAT at 17.5% to "plus VAT" prices)

NOTE: A Web Browser is required for Modular Circuit Design

Minimum system requirements for these CD-ROMs: PC with 486/33MHz, VGA+256 colours, CD-ROM drive, 12MB RAM, 10MB hard disk space. Windows 95/98, mouse, sound card (not required for *PICtutor* or *Modular Circuit Design*).

CD-ROM ORDER FORM

Please send me:

- Filters
 Digital Works 3.0
 Analogue Electronics
 Digital Electronics
 PICtutor
 Electronic Circuits & Components +The Parts Gallery

Version required:

- Hobbyist/Student
 Institutional
 Institutional 10 user

Note: The software on each version is the same, only the licence for use varies.

- PICtutor Development Kit – Standard
 PICtutor Development Kit – Deluxe
 Deluxe Export

Note: The PICtutor CD-ROM is not included in the Kit prices.

- Modular Circuit Design – Single User
 Modular Circuit Design – Multiple User

Note: The software on each version is the same, only the licence for use varies.

Full name:

Address:

.....Post code:Tel. No:

Signature:

I enclose cheque/PO in £ sterling payable to WIMBORNE PUBLISHING LTD for £

Please charge my Visa/Mastercard: £Card expiry date:

Card No:

Please supply name and address of cardholder if different to the delivery address.

ORDERING

ALL PRICES INCLUDE UK POSTAGE

Student/Single User/Standard Version price includes postage to most countries in the world
 EU residents outside the UK add £5 for airmail postage per order

Institutional, Multiple User and Deluxe Versions – overseas readers add £5 to the basic price of each order for airmail postage (do not add VAT unless you live in an EU country, then add 17½% VAT or provide your official VAT registration number).

Send your order to:
 Direct Book Service

Allen House, East Borough, Wimborne Dorset BH21 1PF

Direct Book Service is a division of Wimborne Publishing Ltd. To order by phone ring

01202 881749. Fax: 01202 841692

We cannot reply to overseas orders by Fax
 Goods are normally sent within seven days
 E-mail: orders@epemag.wimborne.co.uk



Shown Actual size
103 x 70 x 20 mm

Better than anything before!

A world of detailed component data has never been so accessible. Now the Peak Atlas brings you fantastic features in one beautifully designed unit that is a pleasure to use.

Just connect your component any way round. The Atlas presents you with detailed component information in concise, easy to read, scrollable pages. The displayed information will include: the component type, special component features, component pinout, and measured parameters (such

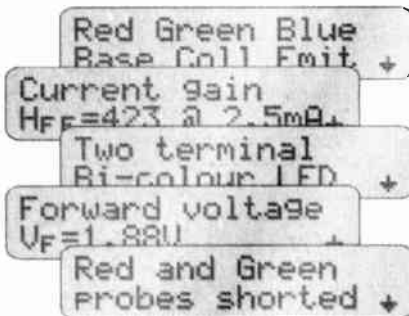
as gain etc...). No more searching through data books and catalogues in order to identify components and pinouts, the Atlas does it all.

So what can it analyse?

More components than ever before! Here's a summary: Bipolar transistors, Darlingtons, diode protected transistors, enhancement mode MOSFETs, low power thyristors and triacs, diodes, multiple diode networks, LEDs, bi-colour and tri-colour LEDs. The Atlas intelligently displays information about the part under test, it knows the difference between LEDs and diodes and it knows if a transistor has diode protection or resistors on the base.

The Atlas Package

The Peak Atlas is supplied complete with a long life battery, new universal test probes and a comprehensive illustrated user guide. Furthermore, free and unlimited technical support for the Atlas is available to all users by telephone, fax, email or our web site.



Ordering

The price you see is the price you pay. You can pay using major credit cards, cheques or postal orders. Feel free to contact us by phone, fax, email or our secure *e-sales* web site if you require free data sheets or you wish to place an order.

* Please add £5 for overseas orders.

peak electronic design limited

West Road House, West Road, Buxton, Derbyshire, SK17 6HF. Tel.+44 (0)1298 70012, Fax. +44 (0)1298 22044
Secure Web: www.peakelec.co.uk Email: sales@peakelec.co.uk

TEACH-IN 2000

Part Eight – Comparators, Mixers, Audio and Sensor Amplifiers

JOHN BECKER



Over the first six parts of *Teach-In 2000*, which we know you have been greatly enjoying, we covered passive components and several digital logic circuits. Via the interactive computer programs and the simple interface you assembled, you have also been able to observe the various waveforms generated by the experimental breadboard circuits, showing how a few electronic components can be connected to achieve interesting results.

Last month we moved on from the “interesting” to the “practical”, in terms of describing active components which can be used to amplify and otherwise modify the waveforms generated. We began to examine op.amps, those simple robust components that feature so frequently in audio and other analogue circuits, and we demonstrated their basic nature. This month we get you experimenting with some useful applications.

COMPARATORS

THE subject of *comparators* almost brings us back full circle to when we were explaining how digital circuits such as inverters and gates respond to changing voltage levels on their inputs, their outputs changing state when the input voltage crosses predetermined thresholds. In those circuits, the threshold levels are a product of the device’s design. In other words, it is fixed during manufacture.

An op.amp can also be used so that its output changes between fully high and fully low in respect of given voltage levels on its input. In this type of application, in which negative feedback is omitted, the circuit is said to be configured as a *comparator*.

As the term suggests, the op.amp *compares* the levels on its inputs and when there is a difference in voltage between them, full amplification is given to that difference and the output swings to the highest or lowest appropriate state – as does a digital gate.

Two major differences exist between a digital gate and an op.amp comparator. First, and most significantly, the threshold voltage at which the op.amp changes its output state can be preset from within a circuit.

Secondly, but not necessarily of importance, the output voltage level may not fully swing between the power line levels (a matter we commented on in Part 7).

COMPARATOR DEMO

Using the buffered waveform which is available from IC4b (as described last month), we shall demonstrate adjustable comparator action using IC4a.

Note that in many applications, the comparator can be connected directly to the original signal whose level needs to be

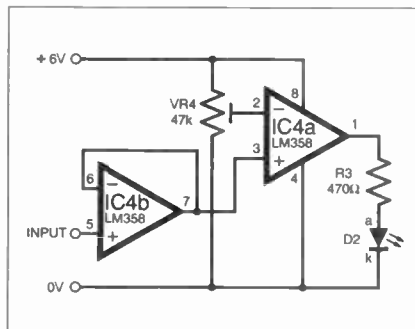


Fig.8.1. Circuit diagram for a buffered non-inverting comparator.

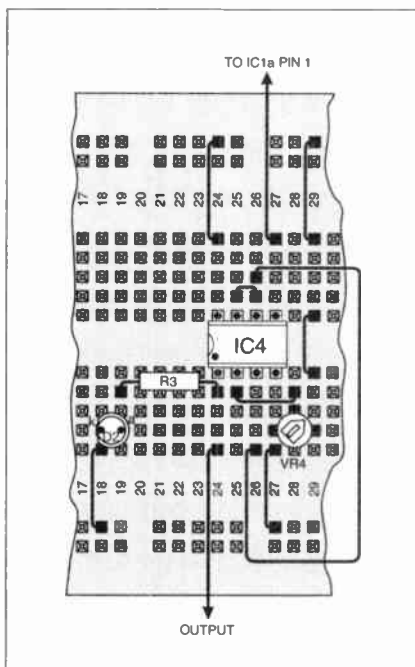


Fig.8.2. Breadboard assembly of the circuit in Fig.8.1.

compared against another. Indeed we could do so here, connecting the waveform from IC1a pin 1 directly to a comparator stage. However, it is frequently preferable to buffer a signal which comes from a circuit whose response could be upset by its connection to another circuit, and so we emphasise the point now by using a buffer.

We’ll examine a non-inverting comparator first. The circuit is shown in Fig.8.1 and, to demonstrate the comparator’s output state, uses an l.e.d. (D2) fed via ballast resistor R3.

Assemble this circuit on the breadboard as shown in Fig.8.2.

TRIGGER THRESHOLD

Preset VR4 sets the comparator’s trigger threshold voltage onto the inverting input (pin 2). Set its wiper to a midway position. Note that a feedback resistor is not used in this application. The input signal to be “compared” is connected to the non-inverting input (pin 3).

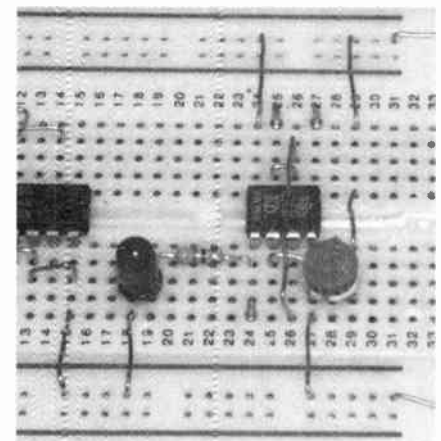


Photo 8.1. Detail of the breadboard layout of Fig.8.2.

Set preset VR1 (oscillator) to its midway position, so that a triangular waveform is generated (with oscillator diodes D1 and D2 in place). Use a $100\mu\text{F}$ capacitor for C1.

With power on and the oscillator running, observe the flashing of l.e.d. D2. It should be fairly evenly spaced for on and off. Adjusting the wiper of preset VR4 *fractionally* back and forth about its midway position, you should see that D2's on/off ratio changes. Outside of this fairly narrow range of VR4, the l.e.d. should cease flashing completely, remaining either fully on or fully off.

What you are doing when adjusting VR4 is to change the threshold voltage at which the comparator "flips" its output state. With the signal voltage *below* the threshold voltage, the op.amp applies full amplification to what it sees as a negative voltage difference (input less than bias), thus the bias on the inverting input has dominance and the op.amp output goes *low*, and the l.e.d. is turned off. When the signal voltage is *above* the threshold, it has dominance and so the op.amp output swings *high*, and the l.e.d. is turned on.

INVERTING COMPARATOR

If you swap over the connections to the op.amp's two inputs, the situation will be reversed, and the output will go *low* when the signal input is *above* the threshold voltage, and vice-versa.

Experiment with different settings of VR4 and values of oscillator capacitor C1.

Another matter to experiment with is the sensitivity of VR4's wiper position. The physical rotation range can be broadened by inserting resistors to either side of its outer pins, replacing the link wires which at present connect them to the positive and 0V power lines. Two resistors each of $22\text{k}\Omega$ would be a good starting point. Such techniques allow bias voltages to be much more accurately set by preset controls.

You can also monitor the output of IC4a (pin 1) via the ADC device and computer, as you have done with previous analogue circuits. Decreasing the value of oscillator capacitor C1 to $22\mu\text{F}$, or even $1\mu\text{F}$, will allow the pulse widths to be seen more readily.

HYSTERESIS

Way back in the series (Part 2) we discussed a digital inverter's sometimes

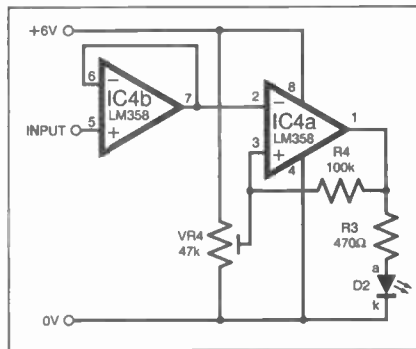


Fig.8.3. Circuit diagram for a buffered inverting comparator with hysteresis.

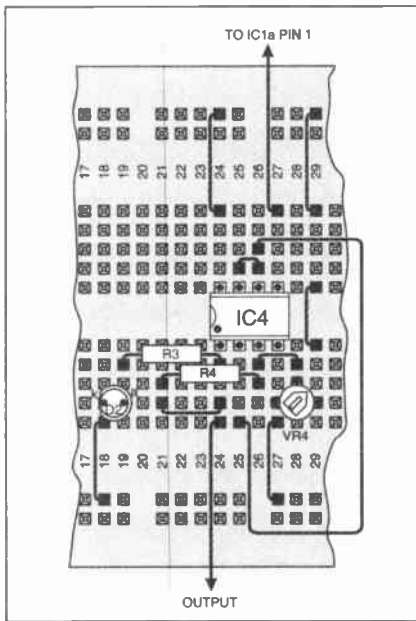


Fig.8.4. Breadboard layout for the circuit in Fig.8.3.

uncertain response when the input voltage is only slowly crossing the threshold voltage level. We explained that a certain amount of "dithering" could occur, resulting in several changes of output level instead of one (Photos 8.2 and 8.3 illustrate a similar situation found in comparators). It was further explained that an inverter having a Schmitt trigger characteristic could be

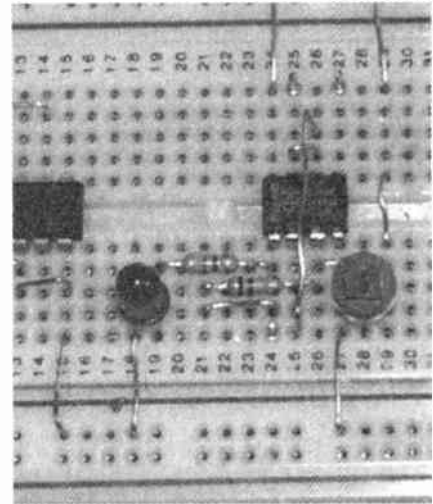


Photo 8.4. Actual breadboard for Fig.8.3 and Fig.8.4.

used to avoid this situation, ensuring the output changes always occurred cleanly.

There is no such component actually called a Schmitt trigger op.amp (although there are op.amps specially designed for use as comparators and which have clean output switching). However, an ordinary op.amp can have its surrounding circuit slightly modified to provide a similar effect. This effect is known as *hysteresis*. It is simply achieved by the addition of one extra resistor, R4, as shown in Fig.8.3. The breadboard layout is shown in Fig.8.4.

Again feedback comes into play, but this time it is made to the *non-inverting* input, and as such reinforces the signal level already there. The term given is *positive feedback*. As with negative feedback, the amount of positive feedback is controllable by the choice of value for the feedback resistor compared to the resistance at the input.

Resistor R4 is one positive feedback component, the resistance offered by VR4 is the other. Here too it is a matter of ratios, but the principal controlling component is usually regarded as the feedback resistor, R4.

HYSTERESIS CALCULATION

In calculating the value for R4, we return to the resistors in series and parallel formulae, discussed in Part 1.

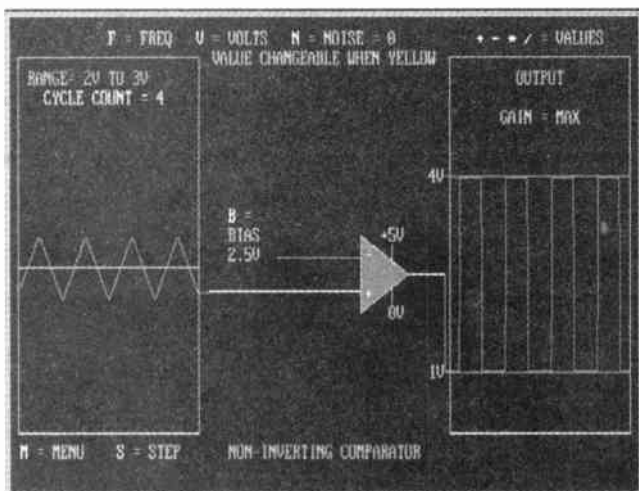


Photo 8.2. Screen dump of the non-inverting comparator demo showing how a simple input waveform causes clean output pulses.

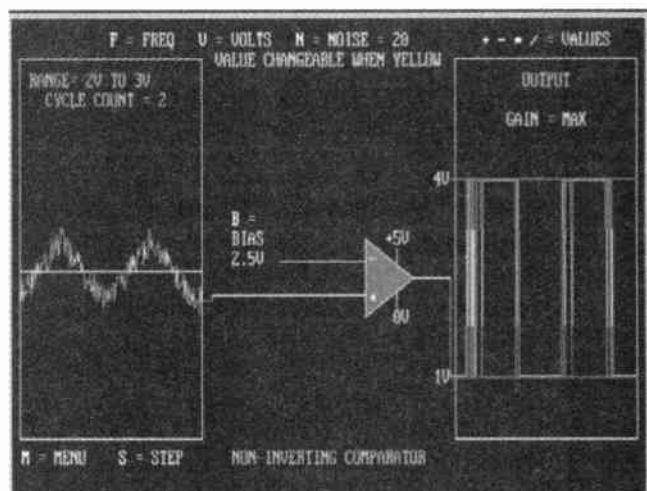


Photo 8.3. Screen dump of the same demo as in Photo 8.2 showing how noisy input signals can cause erratic triggering of the output.

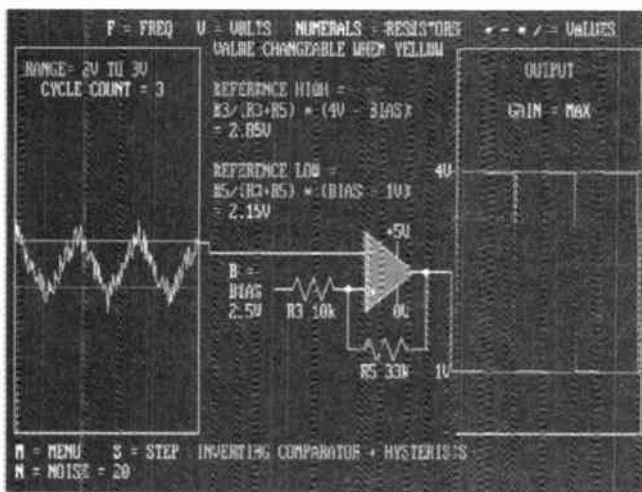


Photo 8.5. Screen dump of demo illustrating how hysteresis allows a comparator to ignore noise on the input signal.

First consider the resistance to either side of the wiper of VR4. Often both sides of this potential divider would be equal, the wiper having been set to provide a midway bias voltage (although this does not need to be the case).

To take the circuit of Fig.8.3 and its values as the example, VR4 has a value of 47k, so the resistances to either side of its wiper are each 22.5k Ω , say 22k Ω . Call the upper resistance Ra and the lower Rb. Because the 6V supply voltage is equally divided by Ra and Rb, the voltage at their junction is 3V.

Assume as a first instance that the output of IC4a is low, at exactly 0V. The potential divider now effectively sees the resistance of R4 (100k Ω) in parallel with Rb. Call this combined resistance value Rc. Using the resistors in parallel formula:

$$R_c = 1 / ((1/R_b) + (1/R_4)) = 9.09k\Omega$$

call it 9k1 Ω .

Now using the potential divider formula, the divided voltage becomes:

$$6V \times (R_c / (R_c + R_a)) = 2.86V$$

Next consider the situation when the output at IC4a is high, at exactly 6V. It is now Ra which is in parallel with R4. Call the combined resistance value Rd, which in this case is the same as Rc, 9k1 Ω . In this situation the divided voltage becomes:

$$6V \times (R_b / (R_d + R_b)) = 3.14V$$

TRIGGER HAPPY

What this achieves is that two trigger threshold values now exist, 2.86V and 3.14V. The one which applies at any time depends on whether the op.amp output is high or low.

When the output is high and the 3.14V threshold applies, the incoming voltage at the inverting input has to rise above 3.14V before it causes the output to change state, down to 0V.

Now the threshold becomes 2.86V, and the incoming voltage has to fall below 2.86V before the output again changes state, back to high, at 6V. And so the cycle will continue.

As with a Schmitt inverter, we have a hysteresis window, in this case from 2.86V to

3.14V, within which no change can take place. No more erratic changing of the output level occurs in response to slowly changing or noisy input voltages. Other window ranges can be set using different resistance values, but still using the same formulae.

Note that where resistances Ra and Rb do not need to be exactly equal (and they probably don't in many comparator circuits), a preset need not be used and Ra and Rb could be chosen as fixed value resistors.

SWING RANGE SNAG

Have you spotted the snag, though, with regard to the op.amp we are using here? Its output does not swing between exactly 0V and 6V. As already said in Part 7, the likely range will be less, say 0.5V to 5.5V. How do we cope with this to set up the hysteresis window?

Simple, you proportionately reduce the value of R4 in order to compensate. One way of tackling this is first to calculate R4 as though the op.amp output *does* swing fully between 0V and 6V, and then use the potential divider formula to establish what ratio of R4 corresponds with the actual op.amp output levels.

As an example, take R4 as 100k Ω again and the actual op.amp minimum and maximum output voltages as 0.5V and 5.5V. You still want to achieve a hysteresis window of 2.86V and 3.14V.

Consider R4 to be split into two resistances connected in series (Re and Rf),

both values unknown but totalling 100k Ω . Now regard the outer end of Re as being at the lower window value, 2.86V, and the outer end of Rf as being at 0V. The voltage at the junction of Re and Rf represents the op.amp's minimum output voltage of 0.5V. Now we ask what ratio must Re have to Rf in order to achieve a potential divider voltage of 0.5V when the total resistance has 2.86V across it.

First divide 0.5 into 2.86 and then divide the answer into the total resistance of Re + Rf, which we have said is 100k Ω . This gives the value for Rf. Re is thus 100k - Rf:

$$100k / (2.86V / 0.5V) = 17.48k$$

$$100k - 17.48k = 82.52k$$

Another way is to first subtract 0.5 from 2.86 = 2.36. Now divide 2.86 by 2.36 (= 1.21186), then divide this answer into 100k (= 82.52k).

The value that R4 must actually have to achieve a lower window value of 2.86V when the op.amp output only drops to 0.5V is thus 82k Ω .

This method of calculation assumes, of course, that the op.amp's swing range is indeed uniformly between the power line levels.

ALTERNATIVE WINDOW SETTING

An easier (but less elegant) way, of course, is not to do the ratio calculation at all but to cheat: use a 100k Ω preset as a variable resistor and adjust its wiper until you get what you want!

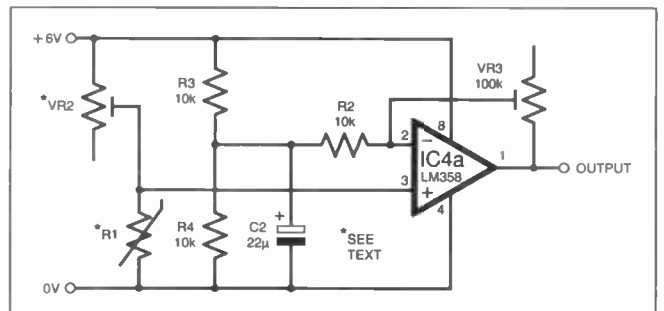


Fig. 8.5. Circuit diagram for a heat sensor amplifier. The light sensor circuit is the same but uses an ORP12 I.d.r. for R1.

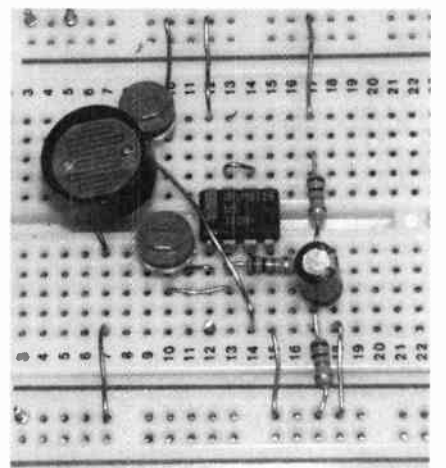
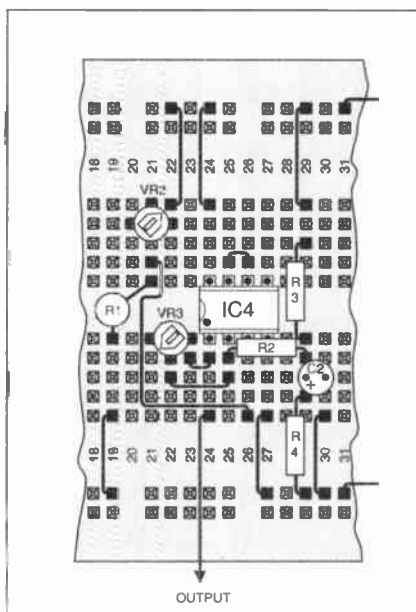


Fig. 8.6 and Photo 8.6. Breadboard layout for the circuit in Fig. 8.5. Note that the sensor (R1) in Fig. 8.6 is not shown to scale. In the photo an ORP12 I.d.r. is shown. Ignore location numbers in photo.

Jesting apart, if you do actually require a precise window value applicable to many copies of the same circuit, then a preset *must* be used since, as we have stressed in previous discussions, the "nominal" values of resistors are unlikely to be exactly correct (except in the rarest and unpredictable circumstances), besides which the output swing range of op.amps also varies according to manufacturing tolerances.

Another hysteresis control and calculation technique is shown in the computer demo program Op.amp - Comparator + Hysteresis. There the bias voltage is assumed to come from a source that does not have a significant resistance, from another battery, for example, or another buffer op.amp.

PRACTICAL HYSTERESIS

From the simple maths, back to practical levels: play around with the circuit of Fig.8.3 using different adjustments of VR4 and with different values for resistor R4. You might even care to use a preset for R4 and take various resistance and voltage readings and see if you can calculate appropriate values to meet differing conditions.

It is also worth noting and experimenting with the fact that the varying signal can be brought into the op.amp's non-inverting input via a resistor and still use positive feedback via R4. In this case, you would connect the wiper of VR4 to the inverting input in order to set the basic bias.

There is a condition, though: the signal coming into the input resistance should not be affected by the changing conditions on the op.amp input caused by the changing states of the positive feedback across R4. At present this won't happen because the signal is coming from the output of the buffering op.amp IC4b (which is said to be a *low-impedance source*).

However, if the signal were to come direct from IC1a pin 1 (which is said to be a *high-impedance source* due to the resistance of VR1 feeding into capacitor C1), then the positive feedback would adversely affect the oscillator circuit.

SENSOR AMPLIFYING

When you experimented with a thermistor and l.d.r. (light dependant resistor) in Part 3, some of the experimentation was in conjunction with the oscillator circuit. The sensors were connected into the circuit so that the output frequency changed according to the heat or light level being sensed.

An op.amp can now provide you with the opportunity to amplify the outputs of both these sensors so that they can be readily monitored via your multimeter, or even via the Analogue Input Waveform Display. The latter will show the amplified voltage as a straight line on the screen whose vertical position is relative to the sensor voltage. Connect the op.amp output to the ADC circuit as you have previously been doing if you want to see the effects on screen.

A suitable circuit is shown in Fig.8.5, in which a non-inverting d.c. amplifier configuration is used. The breadboard layout is shown in Fig.8.6. It is suggested that you use a 100kΩ preset as VR2 with the l.d.r., and a 10kΩ preset with the thermistor, adjusting the wiper until a suitable resistance value is found by trial and error. In

both cases, first set VR3 fully anti-clockwise to provide unity gain.

With both sensors we suggest you also construct your own *inverting* circuit, feeding the sensor/resistor junction into the inverting input of the op.amp. But remember what we said about potential dividers (which is what the sensor/resistor series is) and the load resistance into which it feeds, in this case the inverting input resistor value. Using IC4b as a buffer amp, of course, will prevent this effect.

MICROPHONE AMP

We are now in position to also let you examine waveforms created from the outside world rather than an oscillator. Time to dig that small electret microphone out of your components bag.

Electret microphones have a small amplifying circuit already built in to them, consequently they must be used the correct way round and powered via a resistor.

First though, unless you have been very lucky and supplied with one already having leads, you must use a soldering iron to connect a wire to each of the mic's terminal pads. Fig.8.7 shows the pad positions of a typical electret mic. Take care that solder does not cause a short circuit between the pads. Leave your soldering iron switched on.

The circuit diagram and component values for the simple microphone amplifier are shown in Fig.8.8. Assemble the breadboard as illustrated in Fig.8.9, but omit socket SK2 for the moment.

You will see that the microphone, MIC1, is powered via two resistors, R1 and R2, with capacitor C1 connected between them and the 0V line. The object of R1 and C1 is to reduce the noise which is likely to be occurring on the positive power line, caused by the presence of the oscillator around IC1a.

The power line voltage feeds through R1 and any noise peaks are mopped up by C1 (in the same way as we demonstrated capacitors charging and discharging in Part 2). As a result the noise does not reach the microphone, and so is not amplified by IC4a. The latter thus only amplifies the audio signal which the mic picks up.

VOICE ON SCREEN

When power is connected to the circuit, observe the waveform display on the PC screen (using the "Capture" mode) while you make noises near the mic (bring your portable radio in close, for example, or speak the traditional "testing, one, two, three!"). Increase the gain of IC4 using VR3 until you can see the waveform response to the noises. It again has to be said that modern fast computers will display the effect better than slow machines.

The gain range is variable between unity (VR3 equals zero resistance) and about 1000 (VR3 equals maximum resistance).

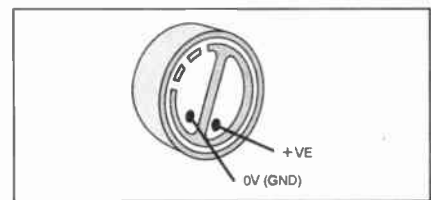


Fig.8.7. Rear view of a typical electret microphone. Other styles exist but their connections should be obvious.

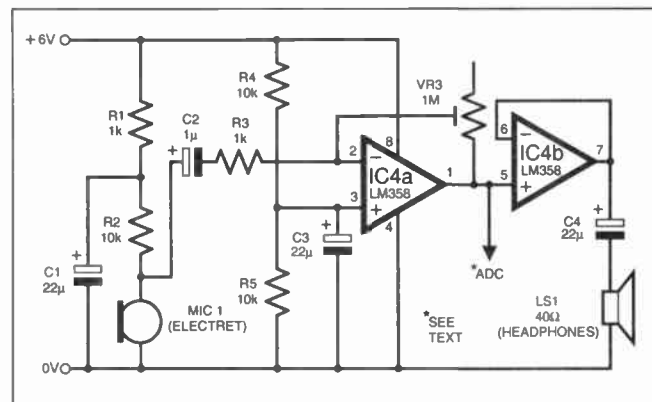


Fig.8.8. Circuit diagram for the microphone amplifier.

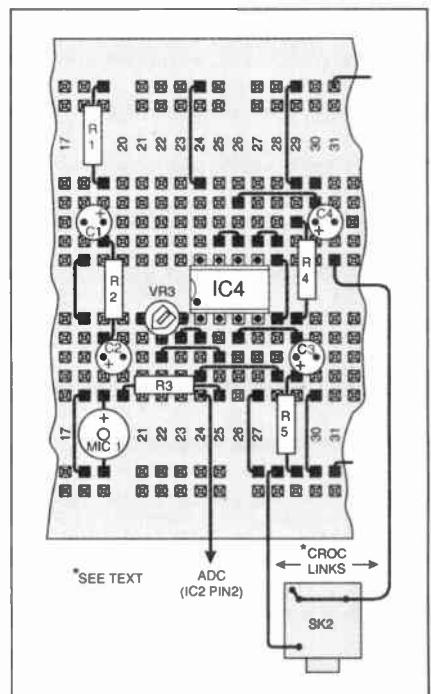
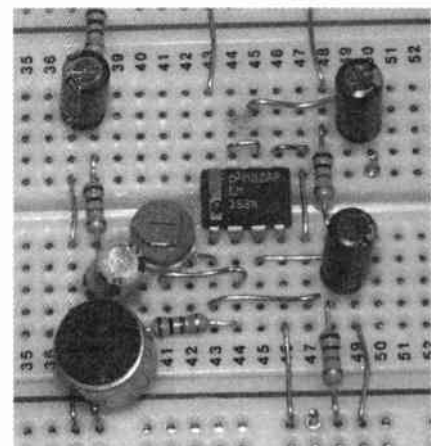


Fig.8.9. and Photo 8.7. Breadboard layout for the circuit in Fig.8.8. Ignore location numbers in photo.



You will recall the simple equation for calculating the gain of an inverting op.amp stage from Part 7, i.e. $gain = VR3/R3$, thus the maximum gain is $1,000,000/1000 = 1000$.

If you wished to have the minimum gain level restricted to greater than unity, an extra resistor could be inserted in series with VR3, on which ever side of it you choose. A $100k\Omega$ resistor, for example would result in a minimum gain of 100 ($100k/1k$), although it would increase the maximum gain to $(1M + 100k)/1k = 1100$.

You can now make use of the personal headphones we recommended in the components list of Part 1, to listen to the sounds being amplified by IC4a. We stress, though, that the concept of hi-fi is not recognised by this circuit!

Solder connections (or connect crocodile clipped leads) to the jack socket SK2 as shown in Fig.8.9, plug in the headphones and reconnect the power.

We now need to point out that the type of op.amp used for IC4, an LM358, is not really up to the job of powering headphones, but it should provide just enough power for you to hear the amplified sound through your headphones, which hopefully have a typical impedance (resistance) of about 40Ω minimum. Hi-fi headphones, which typically have an impedance of between about 4Ω and 15Ω , should not be used (nor should a loudspeaker).

BUFFERED OUTPUT

Because the headphones draw more current than is really desirable, the connection to them is via the unity gain buffer IC4b. To connect directly to the output of IC4a could cause distortion of the signal being amplified (try it later on and see what happens).

Again make noises near the mic and listen to the amplified result, so demonstrating the basic principle of sound amplification from mic to ear.

There are, by the way, op.amps which have the capability of powering headphones, such as the L252. This too is a dual op.amp, but note that its pinouts and circuit requirements are different to those demonstrated in this *Teach-In*.

To prove our assertion that the circuit can amplify noise caused by the oscillator still running in the background,

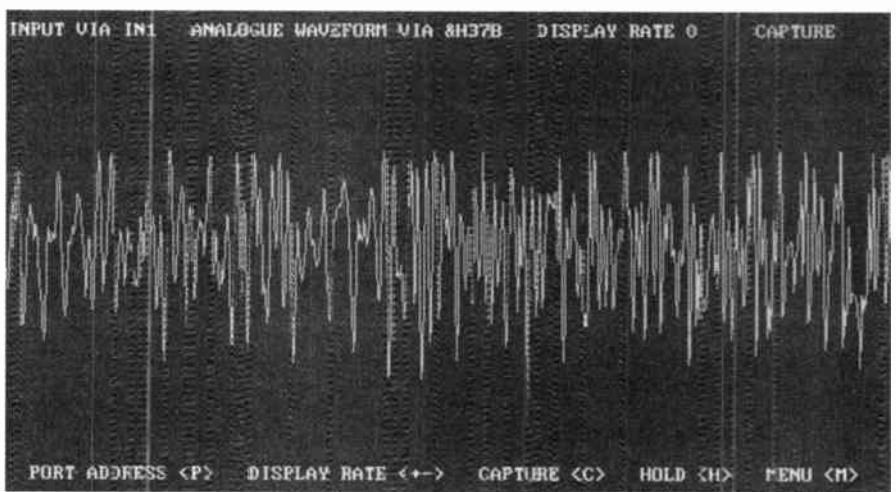


Photo 8.8. Screen dump of a speech waveform produced using the circuit of Fig.8.8.

temporarily remove capacitor C1 (but keep the headphones away from your ears when doing so, since the noise could be loud!). You should hear the noise pulsing in time with the oscillator's l.e.d. going on and off. Remove the oscillator's capacitor C1 and notice that the noise nearly disappears.

Beware that if you get too close to the mic with the headphones, the "howling" typical of microphone feedback from loudspeakers could occur.

MULTIPLE INPUTS

You will recall that in Part 7 last month we spoke of the virtual earth condition produced when negative feedback is used. We went on to say that this allows voltages from several sources to be fed into an inverting circuit via separate resistances, without causing a change in the virtual earth voltage level.

This same situation also means that when several signal sources are connected in this way, none of them are affected by the other, even though they meet at the inverting input.

From this it should be obvious that what this situation allows is, of course, the combining of several signals into one composite output. A basic circuit example of this is shown in Fig.8.10, and can loosely be called a *mixer* circuit.

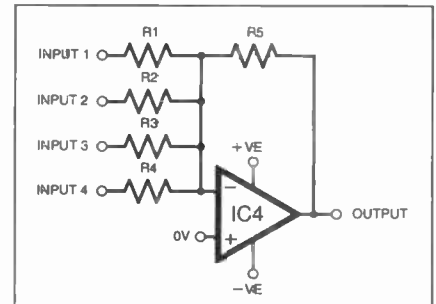


Fig.8.10. Basic mixing or summing circuit. Note that the output is inverted.

As shown, the circuit is for use with d.c. voltage levels rather than a.c. waveforms (there are no a.c. coupling capacitors).

In this circuit the voltage that comes into each resistor is amplified by the ratio of *that resistor only* in relation to the feedback resistor. Thus the gain for Input 1 is $R5/R1$, that for Input 2 is $R5/R2$, etc.

The combined voltage level seen at the output of the op.amp is the *sum* (addition) of the amplified voltages. For this reason, this d.c. coupled configuration is more generally known as a *summing* circuit rather than a mixer.

SUMMING SIGNALS

Let's examine what happens with two channels, first taking them individually

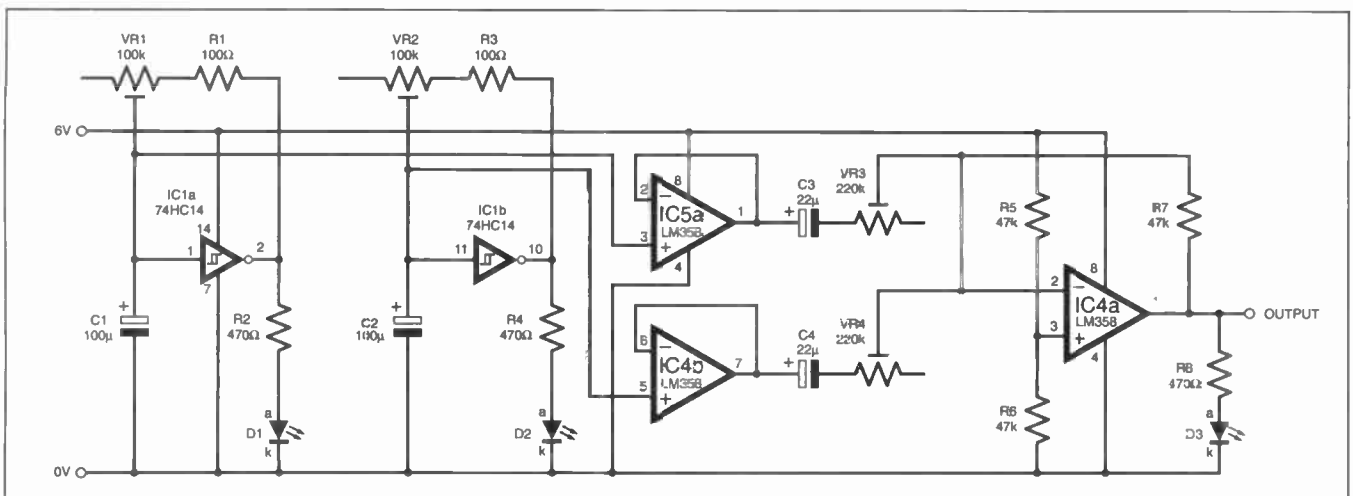


Fig.8.11. Circuit diagram for two oscillators whose outputs are buffered and then mixed into a single composite output.

(and remembering the fact that the output is inverted): Suppose Input 1 has 1V on it, the gain of this channel is set for 5, resulting in a calculated output of minus 5V. Input 2 has 3.5V on it and the gain of this channel is set for 2, resulting in a calculated output of minus 7V.

When the two processed (amplified) signals are summed, a total of $(-5V) + (-7V) = -12V$ appears at the op.amp output.

Should Input 3 be used and it has $-5V$ on it with a gain of 2, the calculated output is plus 10V, which is now added to the previous total, $-12V + 10V = -2V$.

Note that for a negative voltage to be correctly handled, the op.amp must be powered from a dual power rail, e.g. a $+V/0V/-V$ supply.

When designing and using a summing circuit it must be remembered that the summed (total) voltage cannot exceed the maximum output swing limits of the op.amp.

MIXER CIRCUIT

When multiple inputs to an op.amp are in series with their own a.c. coupling capacitors, preventing d.c. levels from entering the circuit, the circuit becomes what is perhaps more generally known as *mixer*. In this role it is *waveforms* that are combined by the circuit, such waveforms as produced by speech or music, for example, although the waveforms from any sources can be combined into a single composite.

Similar restrictions apply, though, to the maximum input levels and combined amplitudes as applied to the d.c. summing circuit. In waveform mixing circuits a general rule of thumb to follow is that the amplified value of any one signal should not exceed the op.amp's maximum output voltage swing times the reciprocal of the total number of inputs. *What?!* you exclaim . . .

OK, in English then: if you have two inputs feeding into an op.amp mixer whose maximum output swing is 6V peak-to-peak, the peak-to-peak value of each input should not exceed $6V/2$, i.e. 3V. For three inputs the individual peak-to-peak values should not exceed $6V/3 = 2V$, etc.

If individual signal amplitudes can exceed the rule-of-thumb value there is the likelihood that at some stage all signals could be simultaneously at their maximum peak-to-peak value, resulting in the clipping of the combined signal being output, i.e. *distortion*.

EXPERIMENTAL MIXER

To explore the fundamentals of a simple 2-input mixer, we suggest you assemble the circuit whose diagram is shown in Fig.8.11. The breadboard assembly is given in Fig.8.12.

Part of this circuit is already assembled on your board: the oscillator around IC1a, buffer IC4b and much of the circuit around IC4a. A second (identical) oscillator has been added, using IC1b and its associated components, R3, R4, VR2, C2 and D2.

Note that a capacitor has not been connected across the potential divider, R5 and R6, because of space restrictions on the breadboard. Normally you would include one in a circuit, as we have done previously.

We suggest that you experiment with various amounts of gain for each of the two channels, and with the oscillators set for a

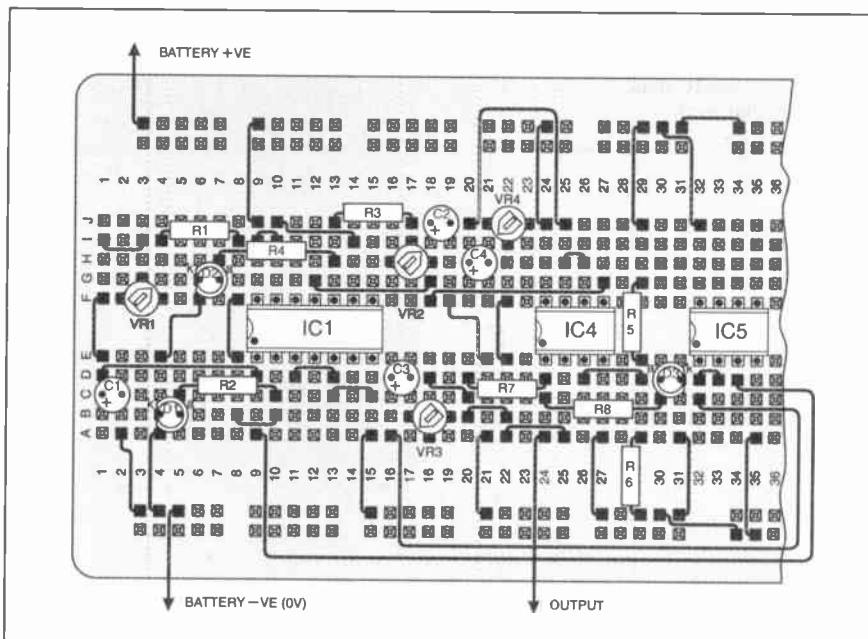


Fig.8.12. Breadboard layout for the circuit of Fig.8.11.

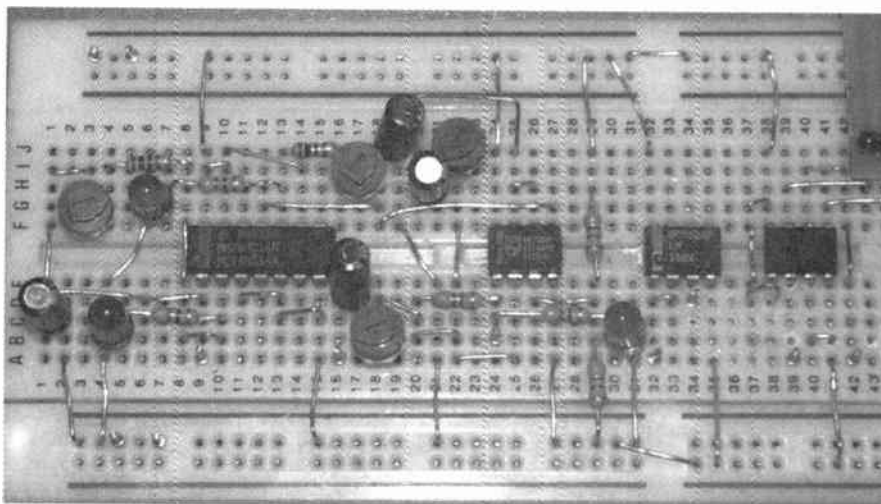


Photo 8.9. Detail of the breadboard layout in Fig.8.12.

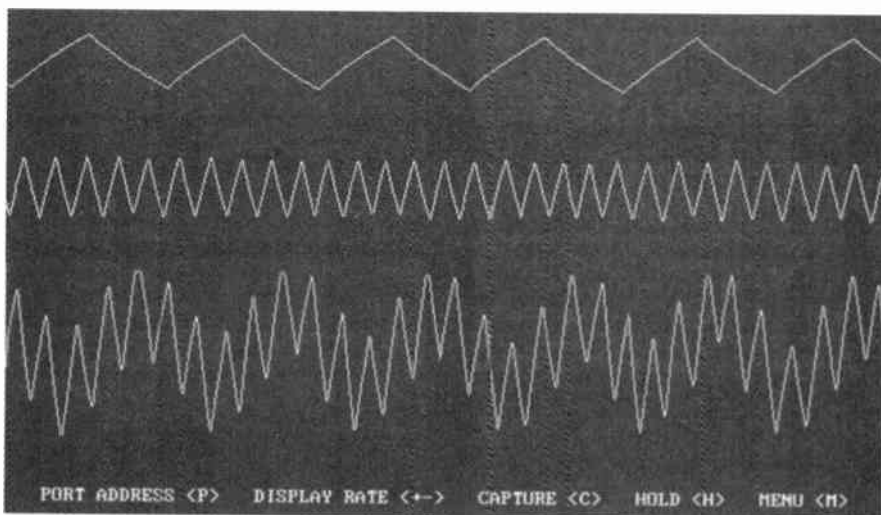


Photo 8.10. Composite of three screen dumps which illustrate two input waveforms (upper two traces) mixed into a single output (lower trace). Note that the composite does not show the waveforms in quite the correct relationships horizontally.

variety of frequencies. As well as observing all three l.e.d.s, use the Analogue Waveform Display Program to monitor the output of IC4a, pin 1.

Observe how clipping occurs, and how the combination of two waveforms

produces other patterns, as we demonstrated when looking at waveforms in general, in Part 5.

Note also that when both frequencies have a practically identical rate, there are periods during which they tend to cancel

each other, but other periods when their peaks combine at maximum amplitude. While these nearly matched frequencies shift their relationship to each other, note how the signal cancelling and reinforcement is itself occurring at an observable rate. This illustrates the generation of a "beat" frequency, which we discussed in Part 5. With suitably high peak amplitudes, it should show clearly on l.e.d. D3.

MORE COMPUTER DEMOS

It is now worthwhile experimenting with the other three op.amp demo programs. Note that the op.amps have been assumed to have a maximum output swing which is less than the quoted 5V power supply range, i.e. a 3V swing instead of 5V.

The Op.amp 2-Input Mixer program simulates the input of two capacitively coupled triangle waveforms whose amplitude and frequency can be changed. The input resistance values can be changed to individually set the gain of each channel. The overall gain can be set by changing the feedback resistance. The bias level is also changeable via its two potential divider resistors.

Note the way in which the mixed output signal amplitude changes depending on the relationship between the input signals at any moment in time. Note how in some frequency relationships, the two signals virtually cancel each other (as discussed a few paragraphs back).

The Non-Inverting Comparator allows you to vary the threshold trigger level bias, the input amplitude of the triangular waveform and its frequency. The resistance values are not changeable.

The Op.amp Comparator + Hysteresis demo is similar but allows the values of the positive feedback setting resistors to be changed as well as the bias voltage.

The ability to superimpose a "noise" signal on the comparator waveforms has been added (use <N> and the <+> and <-> keys). Noise is a condition which can occur in any analogue circuit unless measures are taken to remove or limit it. Note how the ordinary comparator is much more prone to incorrect triggering by the noise than is the hysteresis-governed comparator (also see Photos 8.3 and 8.5).

NEXT MONTH

All-in-all, we seem to have given you a lot to keep you entertained and instructed. Not long till we have more for you, comparatively speaking!

In Part 9 next month, we take the lid of transistors, so to speak. Whilst transistors as separate entities are not widely used in modern electronics, they are still encountered in some circuits and a basic knowledge of their characteristics is of benefit. They are also the fundamental building blocks used in all integrated circuits, whether they are op.amps or digital electronic devices such as gates, counters and microprocessors.

They also have properties which enable some forms of signal switching to be performed more readily or cheaply than can be done using a more sophisticated semiconductor device.

Be with you again next month.

PANEL 8.1. ADDING A LEVEL CONTROL

When feeding a.c. coupled waveforms from one circuit into another, it can be desirable to adjust the signal level reaching the second circuit. An example of this is shown in Fig.8.13.

Potentiometer VR1 may be an on-board preset or a panel control potentiometer. Typically, especially for audio level control, VR1 would be a 10kΩ log (logarithmic) component. The value for capacitors C1 and C2 might typically be between 1μF and 22μF for audio signals. For signals of other frequencies the values would be chosen to suit the frequency. This is discussed later in the *Teach-In* series.

The capacitor polarity shown is that normally required for level control circuits; the positive end of C1 receiving the signal, the negative end of C2 connected to VR1 since the latter is terminated on the 0V line.

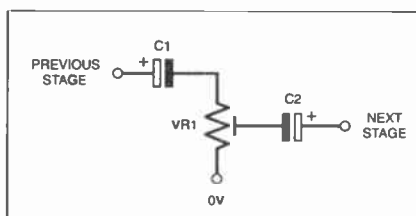


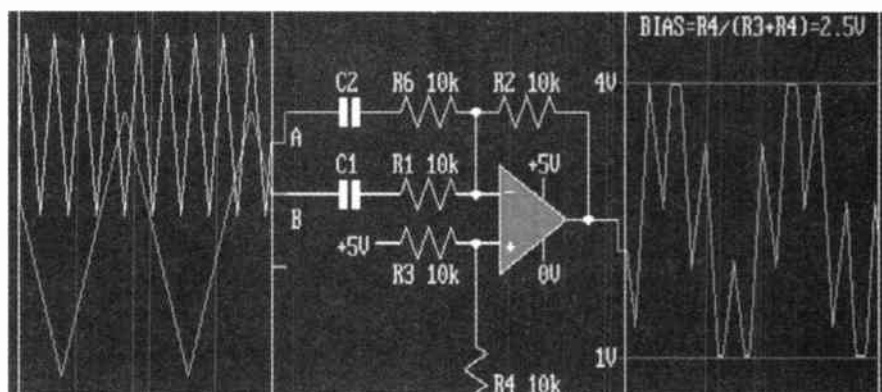
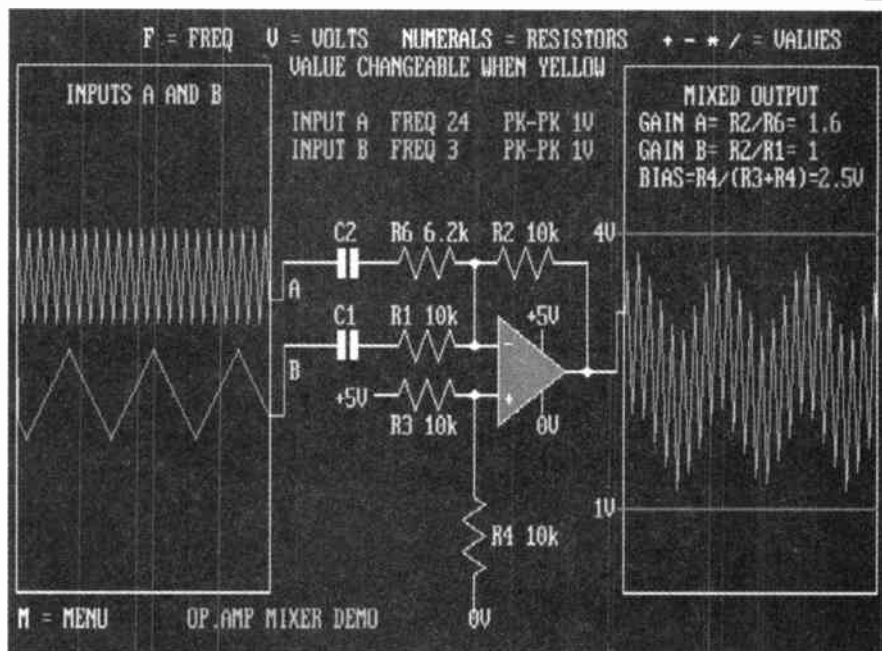
Fig.8.13.

In rare circumstances, other orientation might be required. Always consider which capacitor terminals are (or are likely to become) facing the highest voltage and orientate the polarity accordingly. In some audio circuits, this rule-of-thumb advice does not always offer the best solution, neither polarity really being correct.

To meet such situations, non-polarised electrolytic capacitors are manufactured, but are more expensive. For most hobbyist circuits, normal electrolytics are usually satisfactory. Another solution is to use two electrolytic capacitors in series, each twice the value of that actually required, with their positive ends facing outwards, negative ends joined together.

When it is the a.c. waveform output of a device (such as an op.amp) that is required, rather than the d.c. voltage level, a capacitor should nearly always be used in series with the output.

For example, if volume control VR1 were to be connected to the output (IC5a pin 1) of the mixer circuit in Fig.8.11 without capacitor C1, voltage would always flow through VR1, even if an audio signal was absent. This would be very wasteful of valuable battery power. (Note that l.e.d. D3 is only included for demo purposes.)



Photos 8.11 and 8.12. Screen dumps of mixer demo, the first showing "clean" mixing, the second showing waveform clipping as peaks combine.

We can supply back issues of *EPE* and *ETI* (see panel) by post, most *EPE* issues from the past five years are available. An *EPE* index for the last five years is also available – see order form. Alternatively, indexes are published in the December issue for that year. Where we are unable to provide a back issue a photostat of any one article (or one part of a series) can be purchased for the same price.

DID YOU MISS THESE?

JAN '99

PROJECTS • Alternative Courtesy Light Controller • Twinkle Twinkle Reaction Game • Volume Compressor • PhizzyB Computers-3 • EPE Mind PICKler-2.
FEATURES • New Technology Update • From Russia With Love • Circuit Surgery • PhizzyB Computers-3 • Net Work.

FEB '99

PROJECTS • PIC MIDI Sustain Pedal • Light Alarm • Wireless Monitoring System-1 • PhizzyB Computers-4.
FEATURES • Ingenuity Unlimited • Sclar Project • PhizzyB Computers-4.

MAR '99

PROJECTS • Smoke Absorber • Auto Cupboard Light • PhizzyB Computers-5 • Time and Date Generator • Wireless Monitoring System-2.
FEATURES • Ingenuity Unlimited • I/ITSEC Show Report • PhizzyB Computers-5 • Practically Speaking • Circuit Surgery • Net Work.

APRIL '99

PROJECTS • Mechanical Radio • Voice Record/Playback Module • Versatile Event Counter • PhizzyB Computers-6 • Ironing Board Saver.
FEATURES • Microcontrollers • PhizzyB Computers-6 • MAX761 D.C. to D.C. Converter • Interface • Circuit Surgery • Net Work • **FREE** 48-page Basic Soldering Guide booklet.

MAY '99

PROJECTS • MIDI Handbells • A.M./F.M. Radio Remote Control • PhizzyB Computers-7 • PIC Toolkit Mk2-1.
FEATURES • PC Engines - From 4004 to Pentium III • Ingenuity Unlimited • Practically Speaking • PhizzyB Computers-7 • Circuit Surgery • New Technology Update • Net Work • **FREE** pull-out 7400 series Pinout Data Chart.

JUNE '99

PROJECTS • Clipping Video Fader (Starter Project) • PC Audio Frequency Meter • Musical Sundial • PIC Toolkit Mk2-2.
FEATURES • Alan Dower Blumlein • Circuit Surgery • Interface • PhizzyB Computers-8 • Ingenuity Unlimited • Edison 3 Review • Net Work - The Internet.



JULY '99

PROJECTS • 12V Lead-acid Battery Tester • L.E.D. Stroboscope • EPE Mood Picker • Intruder Deterrent.
FEATURES • Practical Oscillator Designs-1 • Practically Speaking • Circuit Surgery • Ingenuity Unlimited • New Technology Update • Net Work - The Internet

AUG '99

PROJECTS • Ultrasonic Puncture Finder • Magnetic Field Detective • Freezer Alarm • 8-Channel Analogue Data Logger-1 • Sound Activated Switch.
FEATURES • Practical Oscillator Designs-2 • Power Generation from Pipelines to Pylons-1 • Ingenuity Unlimited • Circuit Surgery • New Technology Update • Interface • Net Work - The Internet.

SEPT '99

PROJECTS • Loop Aerial SW Receiver • Child Guard • 8-Channel Analogue Data Logger-2 • Variable Dual Power Supply.
FEATURES • Practical Oscillator Designs-3 • Power Generation from Pipelines to Pylons-2 • Practically Speaking • Circuit Surgery • Ingenuity Unlimited • New Technology Update • Net Work.

OCT '99

PROJECTS • Interior Lamp Delay • Mains Cable Detector • QWL Loudspeaker System • Micro Power Supply.
FEATURES • PIC16F87x Mini Tutorial • Practical Oscillator Designs-4 • Circuit Surgery • Interface • New Technology Update • Ingenuity Unlimited • Net Work - The Internet.



NOV '99

PROJECTS • Acoustic Probe • Vibralarm • Ginormous Stopwatch-1 • Demister One-Shot.
FEATURES • Teach-In 2000-Part 1 • Ingenuity Unlimited • Practically Speaking • Practical Oscillator Designs-5 • Circuit Surgery • New Technology Update • Net Work - The Internet **FREE** Identifying Electronic Components booklet.

DEC '99

PROJECTS • PIC Micro-Probe • Magnetic Field Detector • Loft Guard • Ginormous Stopwatch - Giant Display-2.
FEATURES • Teach-In 2000-Part 2 • Practical Oscillator Designs-6 • Interface • Ingenuity Unlimited (Special) • Circuit Surgery • Network-The Internet • 1999 Annual Index.



JAN '00

PROJECTS • Scratch Blanker • Versatile Burglar Alarm • Flashing Snowman • Vehicle Frost Box.
FEATURES • Ingenuity Unlimited • Teach-In 2000-Part 3 • Circuit Surgery • Practically Speaking • Tina Pro Review • Net Work - The Internet.

FEB '00

PROJECTS • PIC Video Cleaner • Voltage Monitor • Easy-Typist Tape Controller • Find It - Don't Lose It!
FEATURES • Technology Timelines-1 • Circuit Surgery • Teach-In 2000-Part 4 • Ingenuity Unlimited • Interface • Net Work - The Internet.

MAR '00

PROJECTS • EPE ICEbreaker • High Performance Regenerative Receiver-1 • Parking Warning System • Automatic Train Signal.
FEATURES • Teach-In 2000 - Part 5 • Practically Speaking • Technology Timelines-2 • Ingenuity Unlimited • Circuit Surgery • New Technology Update • Net Work - The Internet.

APRIL '00

PROJECTS • Flash Slave • Garage Link • Micro-PICscope • High Performance Regenerative Receiver-2.
FEATURES • Teach-In 2000-Part 6 • Ingenuity Unlimited • Technology Timelines-3 • Circuit Surgery • Interface • Telcan Home Video • Net Work - The Internet.

MAY '00

PROJECTS • Versatile Mic/Audio Preamplifier • PIR Light Checker • Low-Cost Capacitance Meter • Multi-Channel Transmission System-1.
FEATURES • Teach-In 2000-Part 7 • Technology Timelines-4 • Circuit Surgery • Practically Speaking • Ingenuity Unlimited • Net Work - The Internet • **FREE** Giant Technology Timelines Chart.

BACK ISSUES ONLY £2.75 each inc. UK p&p.

Overseas prices £3.35 each surface mail, £4.35 each airmail.

We can also supply issues from earlier years: 1992 (except March, April, June to Sept. and Dec.), 1993 (except Jan to March, May, Aug., Dec.), 1994 (except April to June, Aug., Oct. to Dec.), 1995 (No Issues), 1996 (except Jan. to May, July, Aug., Nov.), 1997 (except March), 1998 (except Jan., March to May, July, Nov., Dec.).

We can also supply back issues of *ETI* (prior to the merger of the two magazines) for 1998/9 - Vol. 27 Nos 1 to 13 and Vol. 28 No. 1. We are not able to supply any material from *ETI* prior to 1998. Please put *ETI* clearly on your order form if you require *ETI* issues.

Where we do not have an issue a photostat of any one article or one part of a series can be provided at the same price.

ORDER FORM - BACK ISSUES - PHOTOSTATS- INDEXES

Send back issues dates

Send photostats of (article title and issues date)

Send copies of last five years indexes (£2.75 for five inc. p&p - Overseas £3.35 surface, £4.35 airmail)

Name

Address

I enclose cheque/P.O./bank draft to the value of £

Please charge my Visa/Mastercard £

Card No. Card Expiry Date

Note: Minimum order for credit cards £5. Please supply name and address of cardholder if different from that shown above.
SEND TO: Everyday Practical Electronics, Allen House, East Borough, Wimborne, Dorset BH21 1PF.
Tel: 01202 881749 Fax: 01202 841692. (Due to the cost we cannot reply to overseas queries or orders by Fax.)
E-mail: orders@epemag.wimborne.co.uk

Payments must be in £ sterling - cheque or bank draft drawn on a UK bank. Normally supplied within seven days of receipt of order.
Send a copy of this form, or order by letter if you do not wish to cut your issue.

M6/00

STORE YOUR BACK ISSUES IN YOUR WALLET!



NEW
on CD-ROM

ONLY
£12.45

including VAT
and p&p

A new way to buy *EPE* Back Issues – our first wallet-sized CD-ROM is now available containing eight back issues from our *EPE Online* website plus bonus articles, all the relevant PIC software and web links.

All this for just £12.45 including postage and packing.

NOTE: This mini CD-ROM is suitable for use on any PC with a CD-ROM drive. It requires Adobe Acrobat Reader (available free from the Internet – www.adobe.com/acrobat)



VOL 1 CONTENTS

BACK ISSUES – November 1998 to June 1999 (all the projects, features, news, IUs etc. from all eight issues). Note: No advertisements or Free Gifts are included.

PIC PROJECT CODES – All the available codes for the PIC based projects published in issues from November 1998 to June 1999.

EPE ONLINE STORE – Books, PCBs, Subscriptions, etc.

EXTRA ARTICLES

THE LIFE & WORKS OF KONRAD ZUSE – a brilliant pioneer in the evolution of computers. A bonus article on his life and work written by his eldest son, including many previously unpublished photographs.

BASIC SOLDERING GUIDE – Alan Winstanley's internationally acclaimed fully illustrated guide.

UNDERSTANDING PASSIVE COMPONENTS – Introduction to the basic principles of passive components.

HOW TO USE INTELLIGENT L.C.D.s, By Julyan Ilett – An utterly practical guide to interfacing and programming intelligent liquid crystal display modules.

PhyzyB COMPUTERS BONUS ARTICLE 1 – Signed and Unsigned Binary Numbers. By Clive "Max" Maxfield and Alvin Brown.

PhyzyB COMPUTERS BONUS ARTICLE 2 – Creating an Event Counter. By Clive "Max" Maxfield and Alvin Brown.

INTERGRAPH COMPUTER SYSTEMS 3D GRAPHICS – A chapter from Intergraph's book that explains computer graphics technology in an interesting and understandable way with full colour graphics.

Order on-line from www.epemag.com or by
Phone, Fax, E-mail or Post

BACK ISSUES CD-ROM ORDER FORM

Please send me (quantity) BACK ISSUES VOL 1 CD-ROM, NOV '98 to JUNE '99
Price £12.45 (approx \$20) each – includes postage to anywhere in the world.

Name

Address

.....

..... Post Code

I enclose cheque/P.O./bank draft to the value of £

Please charge my Visa/Mastercard £

Card No. Expiry Date

Note: Minimum order for credit cards £5. Please supply name and address of cardholder if different from that shown above.

SEND TO: **Everyday Practical Electronics, Allen House, East Borough, Wimborne, Dorset BH21 1PF.**

Tel: 01202 881749. Fax: 01202 841692. (Due to the cost we cannot reply to overseas queries or orders by Fax.)

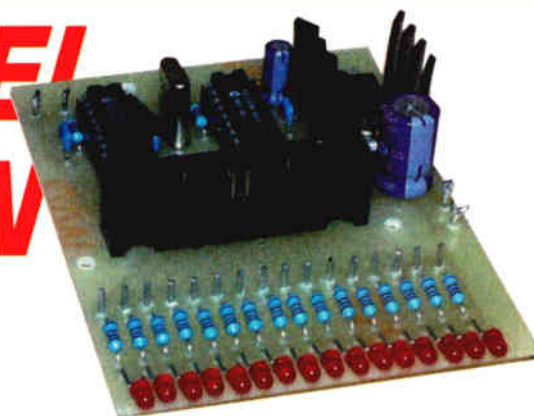
E-mail: orders@epemag.wimborne.co.uk

Payments must be by credit card or in £ Sterling – cheque or bank draft drawn on a UK bank.

Normally supplied within seven days of receipt of order.

Send a copy of this form, or order by letter if you do not wish to cut your issue.

MULTI-CHANNEL TRANSMISSION SYSTEM



ANDY FLIND

Part Two

Linking the signalling system together. Plus, extending its versatility with a simple Interface add-on.

LAST month's issue featured the design and construction of a communications and signalling system providing up to sixteen channels in both directions through a two-wire circuit. There are a number of ways in which the Transmitter and Receiver modules of this system can be used so these will now be described.

Some applications require only the two boards from last month but for more demanding applications additional interface modules can be used to process the communicating signals. The construction and use of this add-on Interface will be covered later.

ONE-WAY ONLY

As we outlined last month, the system can provide either eight or sixteen channels, in a single direction or both ways. To begin with, some simple one-way configurations will be described. These require only two modules, a Transmitter and a Receiver.

For eight channels only IC1 (one PIC) will be needed in each module, whilst sixteen channels will require the fitting of IC2 on both boards. An eight channel system can be easily upgraded at a later date by adding the extra i.c.s as no other additional parts are required. Also, if only one board has IC2 fitted the system will still operate correctly with eight channels.

The simplest method of connection has already been described in the testing procedure given last month. If the wiring between the Transmitter and Receiver has three cores this method can be used, although the "common" connections of the modules may be used for "ground"

(0V) if preferred as shown in Fig.12. For this method of connection none of the optional components are needed on the boards.

Where power is available at both ends of the system only two wires are needed to implement the transmission. If a 5V supply is available for the Transmitter it can be powered directly from this. Alternatively, the regulator IC3 can be fitted to it together with extra decoupling capacitors C6 and C7 which allows operation from supplies of 9V to 20V. The supply current taken will be just 2mA to 3mA. The method of connection between the two units is shown in Fig.13.

A third method allows the Transmitter to be powered by the Receiver again, but this time using only two connections between them as shown in Fig.14. For this resistor R10 should be fitted to the Receiver. At the Transmitter resistors R1 and R5, diode D1 and transistor TR1 will be needed.

The two common connections on the boards should be linked and Output 1 of the Transmitter should be connected to "IN" of the receiver. This connection takes a positive 5V supply to the Transmitter and also carries the signal when pulsed low by the transistor.

ON THE DOUBLE

The next method of connection requires two Transmitters and two Receivers as it is a two-way arrangement using the Transmitters' ability to synchronise to each other and send their data by turns. It was not originally intended that they should be used in this way as two-way operation was to be effected through two of the Interface

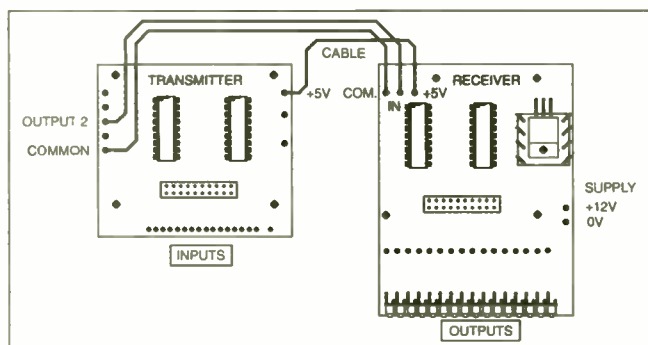


Fig.12. Set-up for a three-wire connection.

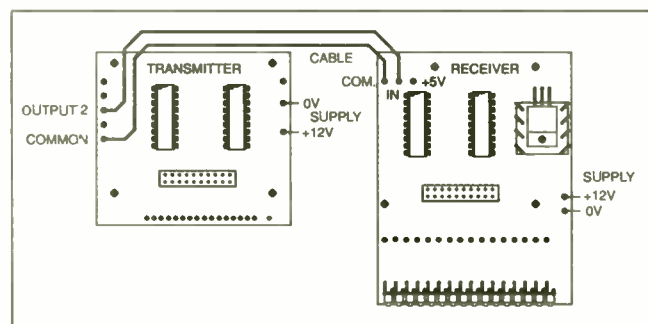


Fig.13. Two-wire connection, with separate Transmitter power supply.

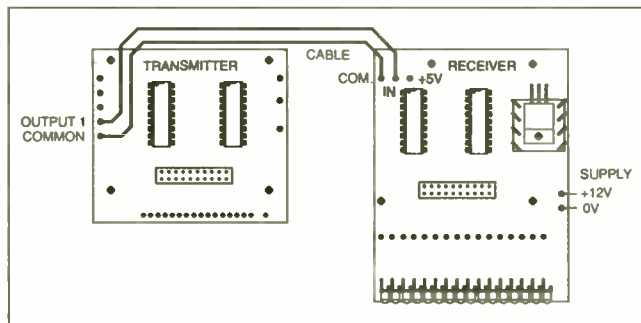


Fig.14. Two-wire set-up, with Transmitter module powered from the Receiver.

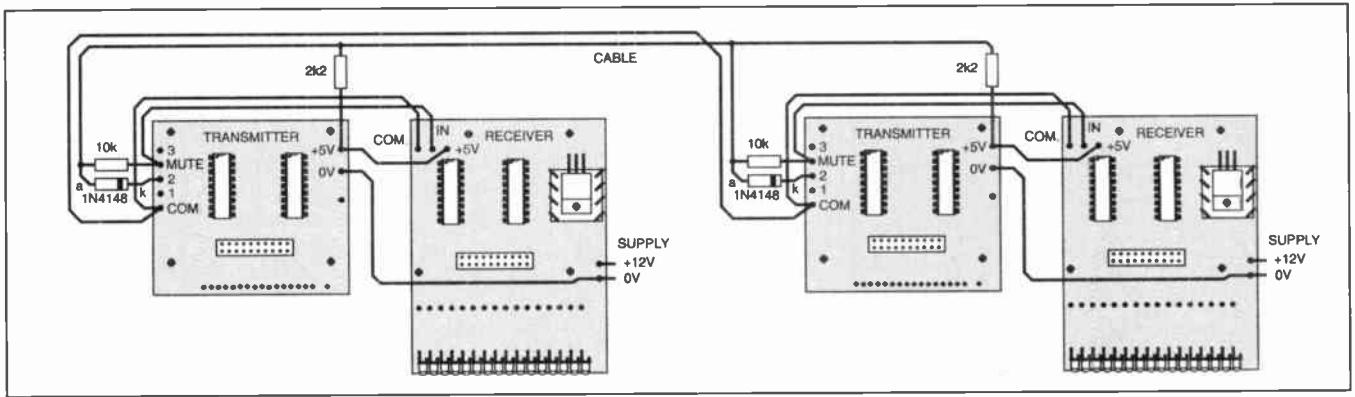


Fig. 15. Interwiring to two-way system, without Interface modules.

modules which will be described shortly. However, it works well and can be achieved with very few extra components, and since some constructors will undoubtedly have suitable applications it is shown in Fig.15. It is assumed that for two-way applications a power supply will always be available at both ends so each Receiver is powered by a supply of between 9V and 15V, and the 5V regulated supplies from them power the two Transmitters.

The common points of all four modules are connected together through one of the two wires of the transmission circuit. The other wire has a 2.2 kilohms (2k2) pull-up resistor to the 5V supply at each end so that it is normally pulled high through a resistance of about 1k.

Each Transmitter has a 1N4148 diode from the Output 2 connection to this wire which is used to pull it low to transmit data. The Receiver "IN" points are connected to the line through 10k resistors and also have connections to the Sense/Mute points on the Transmitters, allowing each transmitter to check that the line is inactive and mute the local Receiver before sending data to the distant one.

This arrangement requires none of the optional components on the boards and draws a supply of about 10mA at each end. It can have either eight or sixteen channels or even eight channels in one direction and sixteen in the other. However, the two Transmitter ICs should have different delays in their programs, achieved by using TXIC1_5 software at one end and TXIC1_10 at the other, to ensure that they always synchronise correctly.

INTERFACING

There will be some applications, such as that for which this project was originally developed, where a 5V peak-to-peak digital signal will be unsuitable for the circuit through which the boards are to be linked. Telephone lines are an example of this. Whilst, for legal reasons, this project should *never* be connected to the *public* telephone service it may find uses in premises with *private* internal telephone systems.

Square waves with a peak-to-peak amplitude of 5V are not suitable for these as they will probably cause interference to other users through stray coupling in the wiring and they might even damage or disrupt the system. Another problem which could arise where long connecting lines are used is the generation of radio frequency interference (r.f.i.).

PIC outputs change state in only a few nanoseconds and even a short length of wire attached to one sometimes radiates interference to a v.h.f. radio operating nearby. Connecting them to many metres of cable in a built-up area might prove somewhat anti-social, to say the least! Screened cable could be used, but where this is impractical interface boards can be used to resolve the problem.

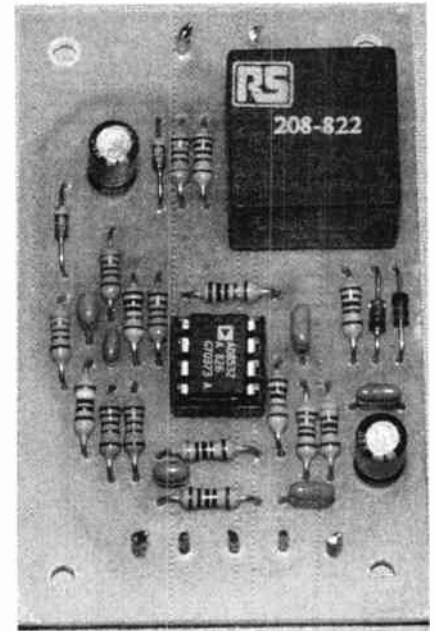
INTERFACE CIRCUIT

The circuit diagram of an Interface Module is shown in Fig.16. Like the Transmitter it is supplied with 5V taken from the Receiver. Local supply decoupling is provided by the capacitors C1 and C2.

The signal to be transmitted is taken from Output 3 of the Transmitter Module, to which optional resistors R3 and R4 (last month) should have been fitted. This generates the waveform described last month which has a quiescent state of half the supply voltage and a "pulse" consisting of a low state followed by a high one.

Op.amp IC1a and associated components form a 3rd order low-pass filter with a cut-off frequency of about 1kHz. The design of this filter allows for the 500 ohm output impedance of the Transmitter.

The filter output at IC1a pin 1, almost sinusoidal in form, is taken from capacitor C6 and coupled to the line through a 600



Completed Interface circuit board.

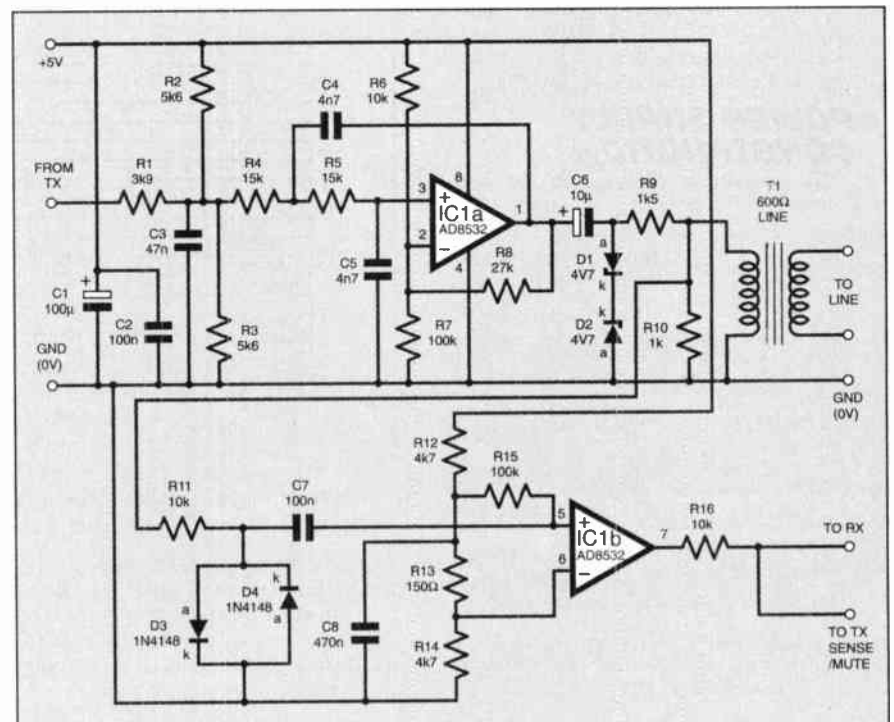
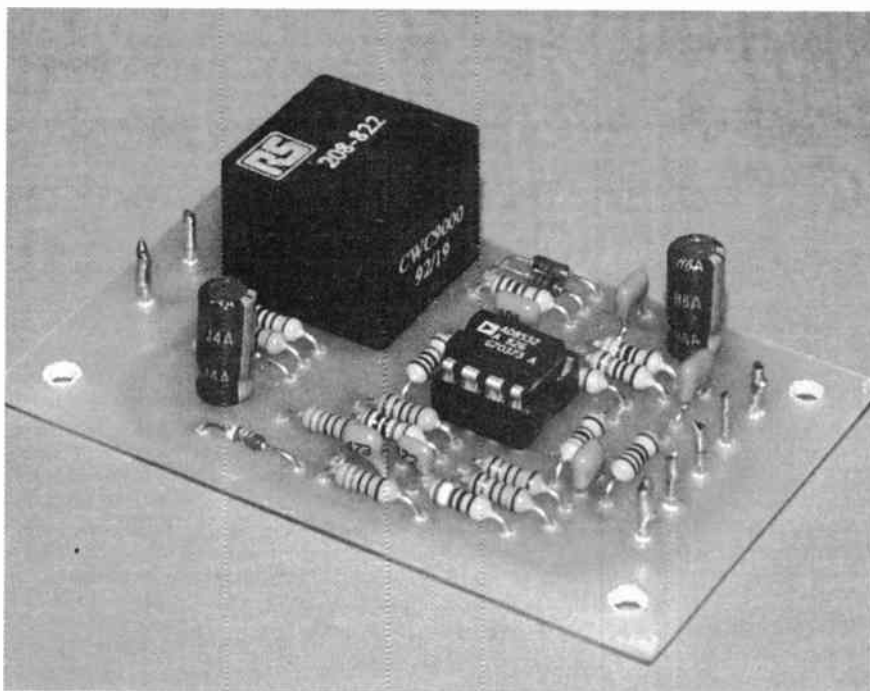


Fig. 16. Complete circuit diagram for the Interface Module.



Layout of components on the Interface printed circuit board.

ohm 1:1 line matching transformer T1. It is attenuated to the desired level by resistors R9, R10, the transformer and, of course, the impedance of the line which is nominally the 600 ohms of the Interface board at the other end. Zener diodes D1 and D2 protect the circuit from any spikes or transients arising from the line.

The received signal is taken from transformer T1 to the input of op.amp IC1b. Resistors R12, R13 and R14 ensure that the d.c. voltages applied to the inputs of IC1b are around half the supply with the non-inverting input (pin 5) about 80mV higher than the inverting (pin 6) one.

The signal from the transformer is superimposed onto this through capacitor C7, so the output of IC1b at pin 7 is normally high, but every time the input signal goes below 80mV it goes low. This is fed to the Receiver (Rx) through resistor R16 with a second connection (Tx) that is used by the local Transmitter for sensing and muting. Diodes D3 and D4 protect this part of the circuit from line transients.

INTERFACE CONSTRUCTION

The component layout of the Interface printed circuit board is shown in Fig.17. This board is available from the *EPE PCB Service*, code 266.

Construction should prove straightforward. All the components should be fitted in size order, preferably using an 8-pin d.i.l. socket for IC1. The transformer, being the largest component, should be fitted last.

To test the unit it can be connected to a 5V supply which may be obtained from a Receiver Module. The supply current taken should be about 2mA.

Assuming the input is not connected to anything, the output of IC1a (pin 1) should show a voltage of about half the supply or 2.5V and the output of IC1b (pin 7) should be high, at the full 5V since IC1 has "rail-to-rail" outputs. If suitable equipment is available the input may be connected to a Transmitter and the output signals inspected.

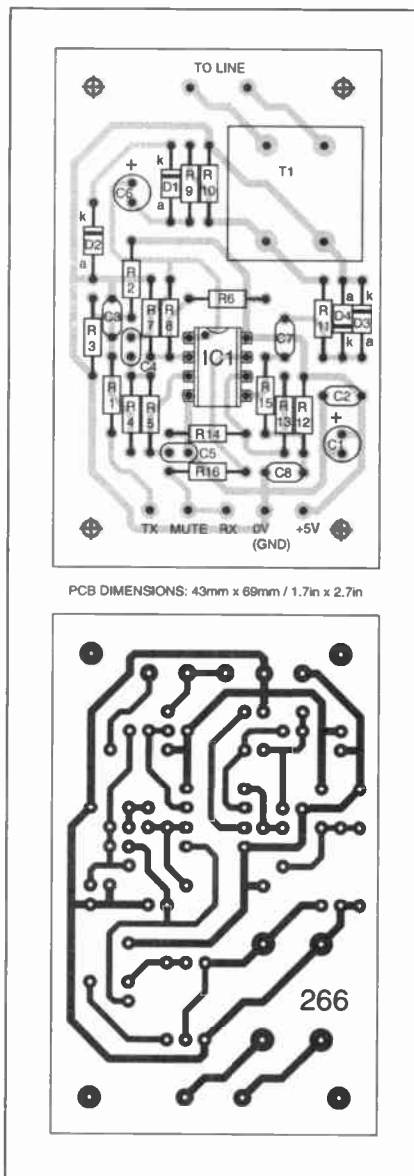


Fig.17. Printed circuit board topside component layout and full size underside copper foil master pattern for the Interface Module.

The Receiver will deliver negative-going pulses at this stage so long as the "Sense/Mute" connection is not made. A 600 ohm resistor (560 ohms will do) should be connected across the LINE connections if the output signal level is to be checked. The distinctive sound of the output can also be heard if an audio amplifier is connected to it.

TWO-WAY LINK

Two Interface Modules are required for a two-way system. The connections for one end are shown in Fig.18, those for the other being identical. The two wires of the line are simply connected to the interfaces at each end, polarity being unimportant.

With negligible line resistance and both interfaces connected the measured signal on the line should be around 500mV peak-to-peak. If the line has some impedance the outgoing signal level at each end will be greater whilst the incoming signal level will be less, so if alternate bursts of signal having different levels are observed this will be the cause. The system has been tested successfully with lines having a total

COMPONENTS

INTERFACE

Resistors

R1	3k9
R2, R3	5k6 (2 off)
R4, R5,	15k (2 off)
R6, R11,	
R16,	10k (3 off)
R7, R15	100k (2 off)
R8	27k
R9	1k5
R10	1k
R12, R14	4k7 (2 off)
R13	150Ω
All 0.6W 1% metal film	

See
SHOP
TALK
page

Capacitors

C1,	100μ radial elect. 10V
C2, C7	100n resin-dipped ceramic (2 off)
C3	47n resin-dipped ceramic
C4, C5	4n7 resin-dipped ceramic (2 off)
C6	10μ radial elect. 63V
C8	470n resin-dipped ceramic

Semiconductors

D1, D2	4V7 Zener diode (2 off)
D3, D4	1N4148 signal diode (2 off)
IC1	AD8532 CMOS dual op.amp

Miscellaneous

T1	600 ohm 1:1 line matching transformer
----	---------------------------------------

Printed circuit board available from the *EPE PCB Service*, code 266; 8-pin d.i.l. socket; multistrand connecting wire; solder pins; solder etc.

Approx. Cost
Guidance Only

£19

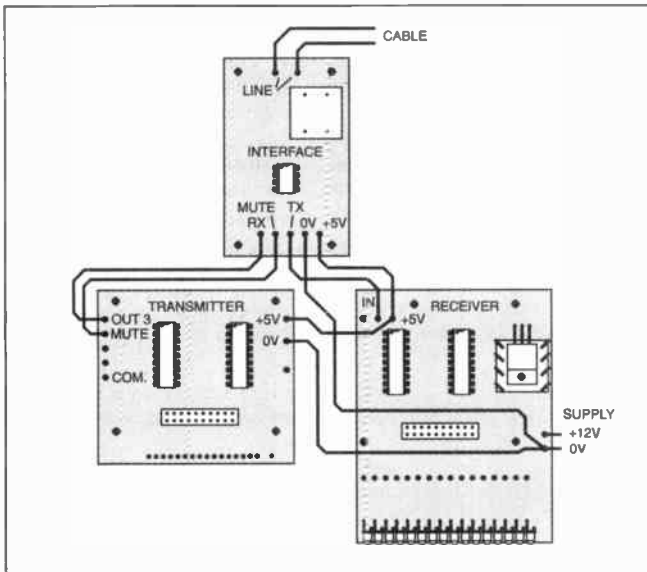


Fig.18. Two-way system with Interface boards. The two line wires are connected to an identical Interface at the other end.

resistance of up to 850 ohms, although for reliability 200 ohms to 300 ohms should be the maximum.

Internal private telephone circuits often have an energising voltage applied to them, typically 50V d.c. In the case of the Hospital where the prototype is used, this could be removed but they prefer to leave it connected simply to indicate to telephone engineers looking for spare circuits that it is in use!

To avoid frying the coupling transformers a 2.2 μ F 250V polyester capacitor is placed in series with one side of the line connection at each end. Users of similar circuits may wish to do likewise.

INPUTS

Finally, ways of interfacing the inputs and outputs to other circuits will be needed. Some methods of connecting to the Transmitter are shown in Fig.19. The simplest input connection is just an s.p.s.t. switch that takes an input to

ground (negative). This could be an on-off switch, a momentary action type such as a pushbutton, or it could be a microswitch, a reed switch or a pair of relay contacts, depending on the user's requirements.

Alternatively, a logic circuit output could be connected directly to the module provided it is operating from a 5V supply. For greater versatility a transistor can be used. This will allow control by a positive input signal with a much broader voltage range which may be useful in some situations.

OUTPUTS

Moving on to the Receiver, the l.e.d.s on the board may be all the indication that is required. Alternatively, the outputs may be used to drive another circuit. They go high when active, to 5V, and could drive external l.e.d.s directly though it would be preferable to use low current types for this especially if

several are to be used. Current limiting resistors would be required, as shown in Fig.20.

Another option is to use the outputs to operate transistors or MOSFETS which in turn could operate relays, sounders, more powerful l.e.d.s, lamps or any other device required by the application. They could also be connected directly to logic circuits operating from 5V supplies.

The uses for this project are limited only by the ingenuity of the constructor. Everything from extra inputs for simple security projects to communications, signalling and control of complex systems over long distances can be handled, and the modules may be tailored to provide only the degree of sophistication required for minimum cost. □

Note: The listing for capacitor C6 was missed out of last month's Receiver Components list. This is a 100n resin-dipped ceramic type.

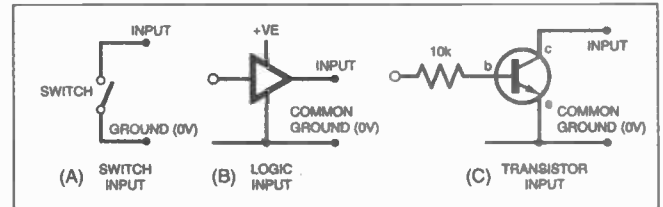


Fig.19. Methods of interfacing inputs to the Transmitter.

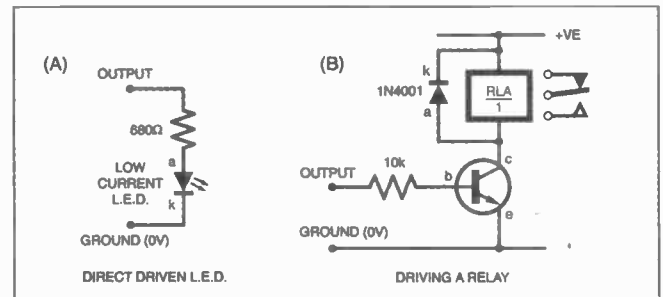
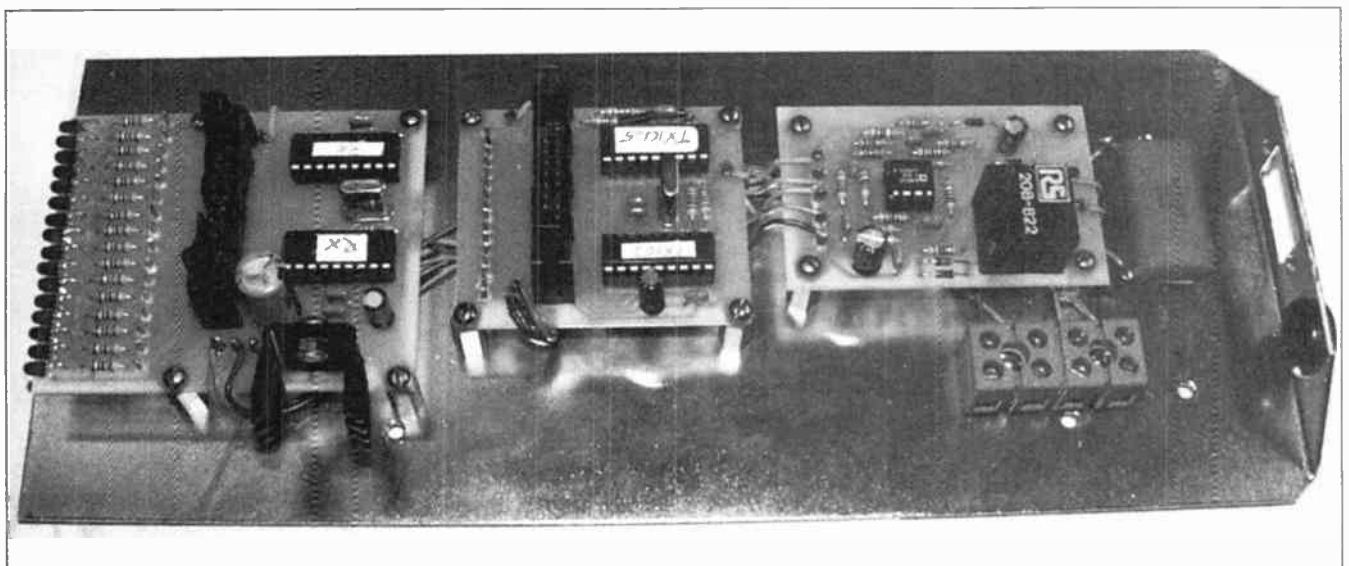


Fig.20. Using the Receiver outputs to drive (a) an l.e.d. and (b) a relay.



The author's "card" set-up as provided to his local Hospital. The line-up consists, left to right, of a Receiver, Transmitter and Interface Modules. Note the Receiver and Transmitter PIC chips and the finned heatsink on the Receiver voltage regulator i.e. The series line capacitor (see text) can be seen top right.

SHOP TALK

with David Barrington

Atmospheric Electricity Detector

There are one or two elusive components called for in the *Atmospheric Electricity Detector* that need our special attention.

We are not too sure about suppliers or alternatives for the Siemens B64290 series of toroid ferrite ring cores, so we shall stick with the one used by the author. This was purchased from **ElectroValue** (☎ 01784 433604 or E-mail: evalue@compuserve.com), and you must quote the full code B64290K618X830 when ordering. The specification for this 25mm (O/D)/15mm (I/D) core is 7000A_L.

The two i.c.s should not be quite so difficult to find. The TBA820M power op.amp is listed by **Cricklewood** (☎ 0181 452 0161, Fax 0181 208 1441) and **Electromall** (☎ 01536 204555 or web site <http://rswwww.com>), code 302-491. The latter company also supplied the AD795 op.amp (code 169-091) and the 100 megohm resistor (code 247-7834).

You must specify that you need an *insulated* (plastic body) chassis mounting coaxial socket when ordering this part. These should be generally available.

Finally, for those readers particularly interested in this fascinating subject, this equipment is referred to on the author's web site under Atmospheric Electricity and is kept updated: <http://members.tripod.co.uk/GarwellK>. Also, the author's E-mail address is: kgarwell@hotmail.com.

Canute Tide Predictor

The alphanumeric 2-line 16-character liquid crystal display module used in the prototype was originally purchased from **Magenta Electronics** (☎ 01283 565435 or web site <http://magenta2000.co.uk>). This comes complete with a connector and we understand they still have stocks. Other advertisers will no doubt be able to offer something similar.

The orange plastic box is the same one as used in the *Micro-PICscope* (April '00 issue) and was ordered from **Electromall** (☎ 01536 204555), code 281-6841.

For those readers unable to program their own PICs, a ready-programmed PIC16F876 can be purchased from Magenta (see above) for the inclusive price of £10 (overseas readers add £1 for postage). Software for the *Canute Tide Predictor* is available on a 3.5in. PC-compatible disk from the EPE Editorial Office (there is a small handling charge to cover admin costs) – see *PCB Service* page 477. It is also available *free* via the EPE web site: <ftp://ftp.epemag.wimborne.co.uk/pubs/PICS/tide>. The software is written in TASM.

Although the designer used a PIC16F876, this was because he had them to hand. The PIC16F873 may be used instead.

The small printed circuit board is available from the *EPE PCB Service*, code 267.

Automatic Nightlight

Most of the components for the *Automatic Nightlight*, this month's Starter Project, should be stocked as "shelf" items by our regular component advertisers. For instance, the cased, low-profile, piezo-electric sounder disc, used as the "microphone", is widely stocked and should cause no purchasing problems.

Timing capacitor C2 *must* be a good quality (new) component if the unit is to function properly. Using a good quality electrolytic should produce good results, or using a tantalum type would be ideal.

It is important to use a low-power version of the 555 timer i.c. here because the unit is likely to be left switched on for long periods of time and we do not want to run down the batteries too quickly. The specified TS555CN or the TLC555CP timer i.c.s are fairly popular devices and should be obtainable from your usual source.

If small children are involved in using the unit, another serious consideration is whether to protect the protruding bulb from possible breakage by covering it with a translucent "dome" or cover. You could try adapting a battery-operated cupboard light, such as the one sold by **Maplin** (www.maplin.co.uk), code KR34M.

Multi-Channel Transmission System-2

The 600 ohm 1:1 line-matching transformer used in the *Interface Module of the Multi-Channel Transmission System* is an RS component (<http://rswwww.com>) and can be purchased through **Electromall** (☎ 01536 2204555) code 208-822, their mail order outlet.

Any readers experiencing problems finding the AD8532 CMOS dual op.amp should note that the one in the model came from **Maplin** (www.maplin.co.uk), code OA16S. To keep prices down, the Interface p.c.b. is part of a three-board set and is available from the *EPE PCB Service*, see page 477.

The author is able to supply ready-programmed PIC16F84s for the system. You will need to order at least two microcontrollers, one Transmitter (Tx) and one Receiver (Rx). We understand that the *first two* will cost £6 each and any additional PICs £5 each if ordered at the same time, inclusive of postage (overseas add £1 per order for postage). Orders should be sent to: **Andy Flind, 22 Holway Hill, Taunton, Somerset, TA1 2HB**. Payments should be made out to *A. Flind*. For those who wish to program their own PICs, the software is available from the Editorial Offices on a 3.5in. PC-compatible disk, see *PCB Service* page 477. It is also available *free* via the EPE web site: <ftp://ftp.epemag.wimborne.co.uk/pubs/PICS/multichannel>.

PLEASE TAKE NOTE

High Performance Regenerative Receiver March/April '00

It has been reported that some specimens of the 2N3819 f.e.t. performed badly or not at all. The author advises that this can be cured by increasing the value of resistor R5 to 15 kilohms (15k).

Radio Bygones

The leading magazine for vintage radio enthusiasts

WHETHER your interest is in domestic radio and TV or in amateur radio, in military, aeronautical or marine communications, in radar and radio navigation, in instruments, in broadcasting, in audio and recording, or in professional radio systems fixed or mobile, RADIO BYGONES is the magazine for you.

ARTICLES on restoration and repair, history, circuit techniques, personalities, reminiscences and just plain nostalgia – you'll find them all. Plus features on museums and private collections and a full-colour photo-feature in every issue.

IT'S MOSTLY about valves, of course, but 'solid-state' – whether of the coherer and spark-gap variety or early transistors – also has a place.

FROM THE DAYS of Maxwell, Hertz, Lodge and Marconi to what was the state-of-the-art just a few short years ago...

Radio Bygones covers it all!

THE MAGAZINE is published six times a year, and is available by postal subscription only. It is not available at newsagents.

TO TAKE OUT a subscription, or to request a sample copy, please complete the form and return it to:

RADIO BYGONES, Allen House, East Borough, Wimborne, Dorset BH21 1PF.
Tel 01202 881749. Fax 01202 841692.
Web: www.radiobygones.co.uk www.radiobygones.com

A SAMPLE COPY of Radio Bygones	£3.25
(ADD 70P FOR OVERSEAS AIRMAIL)	
SUBSCRIPTIONS (post paid)	1 year
UNITED KINGDOM	£18.50
REST OF EUROPE (AIRMAIL)	£20.50
REST OF THE WORLD (AIRMAIL)	£24.50

Yes, I would like a sample copy of RADIO BYGONES
 Yes, I would like to take out a subscription for:

One year (6 issues) Two years (12 issues)
 I enclose a cheque/Eurocheque/PO for £

Please debit my Visa/Mastercard
My credit card number is:

Please print clearly, and check that you have the number correct

The Card is valid from: to:

My name is

My address is

Postcode/Zip

Signature

VIDEOS ON ELECTRONICS

A range of videos selected by *EPE* and designed to provide instruction on electronics theory. Each video gives a sound introduction and grounding in a specialised area of the subject. The tapes make learning both easier and more enjoyable than pure textbook or college training. They have proved particularly useful in schools, magazines, study departments and electronics clubs as well as to general hobbyists and those following distance learning courses etc



BASICS

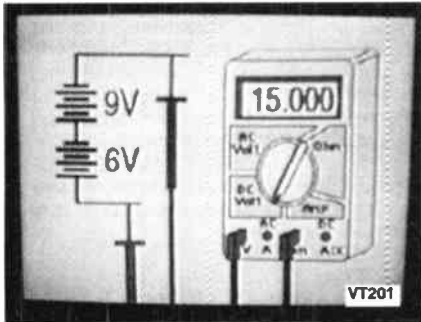
VT201 to VT206 is a basic electronics course and is designed to be used as a complete series, if required.

VT201 54 minutes. Part One; D.C. Circuits. This video is an absolute must for the beginner. Series circuits, parallel circuits, Ohms law, how to use the digital multimeter and much more.

Order Code VT201
VT202 62 minutes. Part Two; A.C. Circuits. This is your next step in understanding the basics of electronics. You will learn about how coils, transformers, capacitors, etc are used in common circuits.

Order Code VT202
VT203 57 minutes. Part Three; Semiconductors. Gives you an exciting look into the world of semiconductors. With basic semiconductor theory. Plus 15 different semiconductor devices explained.

Order Code VT203



VT204 56 minutes. Part Four; Power Supplies. Guides you step-by-step through different sections of a power supply.

Order Code VT204

VT205 57 minutes. Part Five; Amplifiers. Shows you how amplifiers work as you have never seen them before. Class A, class B, class C, op.amps. etc.

Order Code VT205

VT206 54 minutes. Part Six; Oscillators. Oscillators are found in both linear and digital circuits. Gives a good basic background in oscillator circuits.

Order Code VT206

£34.95 each
inc. VAT & postage

Order 8 or more get one extra FREE
Order 16 get two extra FREE

VCR MAINTENANCE

VT102 84 minutes: Introduction to VCR Repair. Warning, not for the beginner. Through the use of block diagrams this video will take you through the various circuits found in the NTSC VHS system. You will follow the signal from the input to the audio/video heads then from the heads back to the output.

Order Code VT102

VT103 35 minutes: A step-by-step easy to follow procedure for professionally cleaning the tape path and replacing many of the belts in most VHS VCR's. The viewer will also become familiar with the various parts found in the tape path.

Order Code VT103

DIGITAL

Now for the digital series of six videos. This series is designed to provide a good grounding in digital and computer technology.

VT301 54 minutes. Digital One; Gates begins with the basics as you learn about seven of the most common gates which are used in almost every digital circuit, plus Binary notation.

Order Code VT301

VT302 55 minutes. Digital Two; Flip Flops will further enhance your knowledge of digital basics. You will learn about Octal and Hexadecimal notation groups, flip-flops, counters, etc.

Order Code VT302

VT303 54 minutes. Digital Three; Registers and Displays is your next step in obtaining a solid understanding of the basic circuits found in today's digital designs. Gets into multiplexers, registers, display devices, etc.

Order Code VT303

VT304 59 minutes. Digital Four; DAC and ADC shows you how the computer is able to communicate with the real world. You will learn about digital-to-analogue and analogue-to-digital converter circuits.

Order Code VT304

VT305 56 minutes. Digital Five; Memory Devices introduces you to the technology used in many of today's memory devices. You will learn all about ROM devices and then proceed into PROM, EPROM, EEPROM, SRAM, DRAM, and MBM devices.

Order Code VT305

VT306 56 minutes. Digital Six; The CPU gives you a thorough understanding in the basics of the central processing unit and the input/output circuits used to make the system work.

Order Code VT306

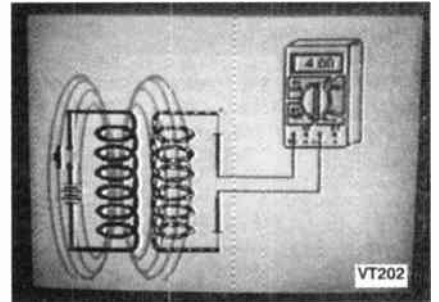
RADIO

VT401 61 minutes. A.M. Radio Theory. The most complete video ever produced on a.m. radio. Begins with the basics of a.m. transmission and proceeds to the five major stages of a.m. reception. Learn how the signal is detected, converted and reproduced. Also covers the Motorola C-QUAM a.m. stereo system.

Order Code VT401

VT402 58 minutes. F.M. Radio Part 1. F.M. basics including the functional blocks of a receiver. Plus r.f. amplifier, mixer oscillator, i.f. amplifier, limiter and f.m. decoder stages of a typical f.m. receiver.

Order Code VT402



VT403 58 minutes. F.M. Radio Part 2. A continuation of f.m. technology from Part 1. Begins with the detector stage output, proceeds to the 19kHz amplifier, frequency doubler, stereo demultiplexer and audio amplifier stages. Also covers RDS digital data encoding and decoding.

Order Code VT403

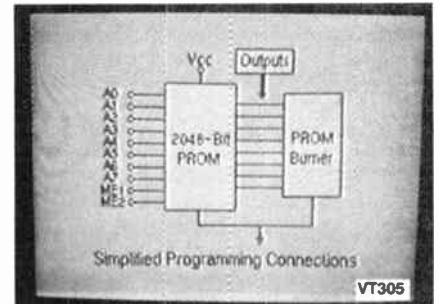
MISCELLANEOUS

VT501 58 minutes. Fibre Optics. From the fundamentals of fibre optic technology through cable manufacture to connectors, transmitters and receivers.

Order Code VT501

VT502 57 minutes. Laser Technology A basic introduction covering some of the common uses of laser devices, plus the operation of the Ruby Rod laser, HeNe laser, CO₂ gas laser and semiconductor laser devices. Also covers the basics of CD and bar code scanning.

Order Code VT502



ORDERING: Price includes postage to anywhere in the world.

OVERSEAS ORDERS: We use the VAT portion of the price to pay for *airmail* postage and packing, wherever you live in the world. Just send £34.95 per tape. All payments in £ sterling only (send cheque or money order drawn on a UK bank). Make cheques payable to Direct Book Service.

Visa and Mastercard orders accepted – please give card number, card expiry date and cardholder's address if different from the delivery address.

Orders are normally sent within seven days but please allow a maximum of 28 days, longer for overseas orders.

Send your order to: **Direct Book Service**, Allen House, East Borough, Wimborne, Dorset BH21 1PF

Direct Book Service is a division of Wimborne Publishing Ltd., Publishers of *EPE*

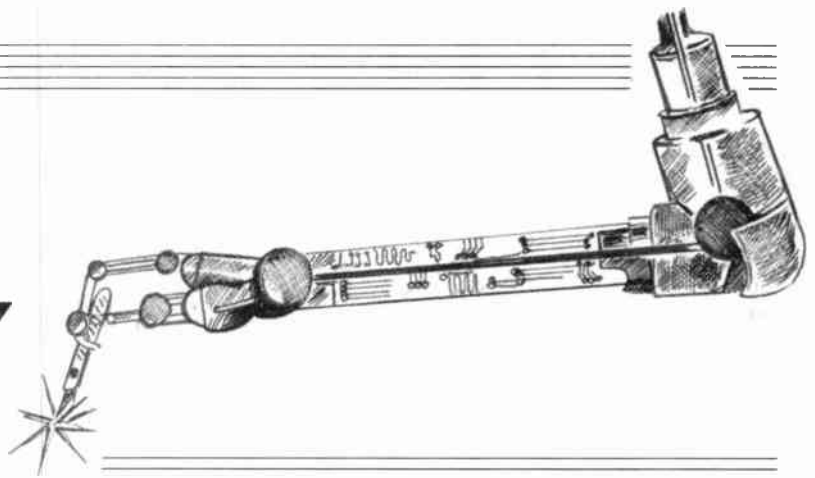
Tel: 01202 831749. Fax: 01202 841692

Due to the cost we cannot reply to overseas orders or queries by Fax.

E-mail: dbs@epemag.wimborne.co.uk

Each video uses a mixture of animated current flow in circuits plus text, plus cartoon instruction etc., and a very full commentary to get the points across. The tapes are imported by us and originate from VCR Educational Products Co, an American supplier. We are the worldwide distributors of the PAL and SECAM versions of these tapes. (All videos are to the UK PAL standard on VHS tapes unless you specifically request SECAM versions.)

CIRCUIT SURGERY



ALAN WINSTANLEY
and IAN BELL

Our circuit surgeons provide more advice to help with reader's problems.

Looking for Trouble?

As part of the "deal" of pursuing electronics for whatever reason, you can guarantee that occasionally things just won't seem to work properly, if at all! Readers will agree that the more practical experience you gain in debugging and cajoling such circuits into operation, the better equipped you will be to face a wider variety of problems in the future.

Rest assured even old hands have had their fair share of headaches when developing or building their latest pet projects. Let's consider a simple case to outline a few principles of troubleshooting.

The real challenge to a constructor faced with a setback is to persevere and not become discouraged by the process of faultfinding and rectification. Sometimes you may need a little help – we all do – but you'll usually get there in the end, and you may even kick yourself when the nature of the fault is finally revealed.

It is immensely satisfying to overcome such problems and add another successful project to your repertoire. There's no doubt that experience counts for a lot, so the sooner you start constructing, the easier things will gradually become.

Note that some of our published circuits – notably *Ingenuity Unlimited* ideas – have not been proven by us and are presented purely to stimulate further thought. They are not necessarily suitable for raw beginners and we cannot provide support

for them. However, when I heard that a training establishment was facing real difficulties with one "Ingenuity" design, I just had to join in the fun!

The circuit in question is the *Mini Siren Alarm* published in the Jan '99 issue. This uses a CMOS NAND gate as a low frequency oscillator, to modulate the frequency of a 555 audio tone generator, see Fig.1. The effect is to produce a two-tone siren alarm. Even a modest circuit like this can produce some challenging problems for constructors.

Wail Meet Again

I enjoyed chatting to *Mr Maurice Clarke* at Lisburn Technical Centre, whose class of 16 to 18 year old students is currently studying NVQ Level 2 and BTEC ONC in Electronics (for overseas readers: National Vocational Qualification, and British Training and Enterprise Council Ordinary National Certificate – phew!). The kindly folks here at *EPE Towers* were alerted to a problem of no less than twenty Mini Sirens which were doing anything but wail! Not even a whimper in fact. Our Deputy Editor Dave lent a hand and between us we suggested various remedies, but the problem was not to be overcome so easily.

So where to start troubleshooting with such a circuit? Things are complicated by the fact that we haven't seen the finished units, so fault finding was to be done at arm's length. Aided by Mr Clarke, the class

had rightly tried many of the things which we would have suggested ourselves. My general troubleshooting advice would be as shown in the box below:

- Split a circuit into stages (sub systems) that can be tested individually. Perhaps identify some suitable test points to take measurements. You can devise some simple tests yourself.
- Check the obvious things first, no matter how basic they seem!
- Take **nothing** for granted.
- Try to test everything for yourself to make quite certain that it works properly.
- Work methodically through the entire system like a detective, noting any clues, helped by any available test equipment.
- Sometimes, a function generator or signal generator and signal tracer (e.g. April's excellent *Micro-PLCscope*) can be used to locate the point where an input signal is suddenly lost. More advanced hobbyists might use an oscilloscope to gather further "evidence".
- Use the test results to eliminate areas which are definitely known to be responding properly, then focus on the area most likely to contain the fault.
- Then check for incorrect wiring, faulty components or polarities, missing or incorrect parts and bad soldering. Remove suspect parts and test them out-of-circuit if needs be.

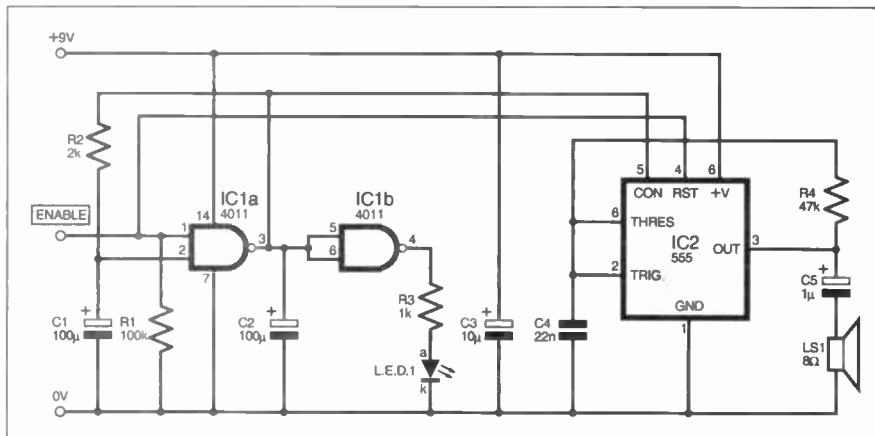


Fig.1. Circuit diagram for the Mini Siren Alarm as published in 1U Jan '99.

By dividing a circuit into stages and testing each one, you can gradually isolate the problem. Then start making some common-sense assumptions and eliminate those stages which are known to work correctly. In fact, as owners of Christmas tree lights will know, Golden Rule No. 1 is to check the silly things first, so that you don't look silly yourself when the fault is finally found!

Power Play

In the event of absolutely nothing happening when a circuit is powered up, firstly check the power supply. In our case, is the battery flat? Are some batteries inserted with the wrong polarity? Is power reaching the circuit? Test with a voltmeter

or use a bench power supply (or mains adaptor) instead.

How much supply current is flowing? None or a lot? If the supply voltage is very low, either the battery is flat, or there is an excessive current being drawn (which causes the battery's terminal voltage to drop).

A "short circuit" in the project could draw considerable current (several amperes in the case of alkaline batteries), so if necessary measure the current with an ammeter, starting with a *high range* first. Although I have never known a direct short circuit myself, don't rule anything out at this stage: keep gathering evidence and clues.

Experience says that a CMOS chip draws next to nothing, and a bipolar NE555 timer will draw only a few milliamps, so I'd expect to see an initial current of a milliamp or two as a rule of thumb. If there is no sound to be heard, a high current (say anything from 50mA to 100mA or higher) indicates a component fault (wrong part or location, or a wrong polarity, maybe with a part about to go up in smoke), or a soldering fault – perhaps a short circuit caused by excessive solder being used or stray whiskers of solder.

Detecting no current flow at all would be surprising, and indicates an "open circuit" somewhere or no power being delivered. If the batteries are all right, perhaps the battery clip or holder are faulty (which has happened more than once), or a wire is broken, e.g. severed by wirestrippers.

Let's assume that the power supply is intact, but we're still greeted by silence. What then? Perhaps a wire has come off the loudspeaker or it is somehow faulty. Test it with an ohmmeter if necessary.

We could then test the sound generator. Looking at the 555 in Fig.1, its reset terminal (pin 4) is pulled down by a 100k resistor. Try pulling pin 4 high to the positive supply instead, and also let pin 5 (control voltage) float.

This should "enable" the oscillator and a continuous tone should be heard. This was indeed the case when I tested it on a solderless breadboard. We can now deduce that the 555, loudspeaker and battery are all working properly.

Reconnecting pin 4 and pin 5 back to the CMOS gate re-introduced the problem. The audio tone became completely unstable and was not being modulated at all. We felt then that perhaps adding some supply decoupling might be useful. A 100nF polyester across the supply might stabilise the circuit, given that a 10µF electrolytic was already there to help with this.

It made no difference, but from experience this *does* sometimes help when there are several oscillators running on the same supply. A CMOS chip may also be unstable if any unused inputs are allowed to float. They should preferably be tied low, and this is not always shown on circuit diagrams.

Unlocking the Gate

We decided the problem must centre around the NAND gates. We can see how one gate IC1b is merely being used as an inverter to drive an l.e.d., so we can take that part out altogether.

That leaves us with IC1a, a NAND gate with a large RC network on its input. It is here where I finally focussed my attention. In practice, logic gates are ill-equipped to deal with slowly varying signals, and one should think in terms of a "Schmitt-input" NAND gate instead, which has the special property of hysteresis.

How a slow ramp signal input is translated by a Schmitt NAND gate into a fast "snap action" transition is shown in Fig.2a. The Schmitt is untroubled by slow changes, and also has excellent noise immunity, so that it will change states with surgical precision even when the input contains a lot of superimposed noise that would send an ordinary NAND berserk! – I'm sure that's what was happening here.

Hysteresis means that there is a difference between the gate's positive-going threshold and the negative-going one, see Fig.2b. This does wonders for stability and preventing false triggering. My next step, then, was to swap the original gate i.c. for a Schmitt NAND, the 4093. Both chips are pin-for-pin compatible. Lo and behold, the audio siren burst into song!

That example highlights how you must develop a train of thought when unravelling a circuit fault. Even a simple circuit can hide an obscure problem which, admittedly, a novice or trainee may struggle with sometimes. The training centre students (hello everyone) had in fact done everything right, but were faced with the extra challenge of battling with a circuit that needed just a little tweak. Only those with practical experience of CMOS logic would have known what to do, so as I said earlier, there may be times when advice may be needed.

More on Faults

The next even simpler example of fault finding may also help inexperienced readers to develop the art of logical thinking. Remember, take nothing for granted until you've tested it for sure, and work methodically through a circuit until the fault is pinpointed.

The circuit consists of a battery, bulb and switch – nothing special except that the battery is a rechargeable 6V lead acid unit, the switch is a "trigger" microswitch and the bulb is a 1.5 million candlepower (it says here) halogen searchlight!

This brand new unit arrived on my bench in a totally dead state, even though it had been charged the previous night and tested out OK. It wouldn't work at all and had me foxed for hours. The removable rechargeable battery tested about 6V and seemed to have charged up, so the battery and recharger unit appeared to be all right.

I could have quickly tested the battery by putting a heavy load on it (e.g. a 1 ohm power resistor) and measured the voltage again. *Lead acid cells aren't to be messed with though, and care was needed not to short the terminals or this could have caused burns or started an electrical fire.*

Testing the obvious things first: had the 6V halogen bulb blown? I couldn't test it on a car battery but an ohmmeter confirmed it was OK. There isn't much left to go wrong: the microswitch worked properly (I checked the contacts to make sure), and the searchlight's wiring continuity checked out all right. Still wouldn't work!

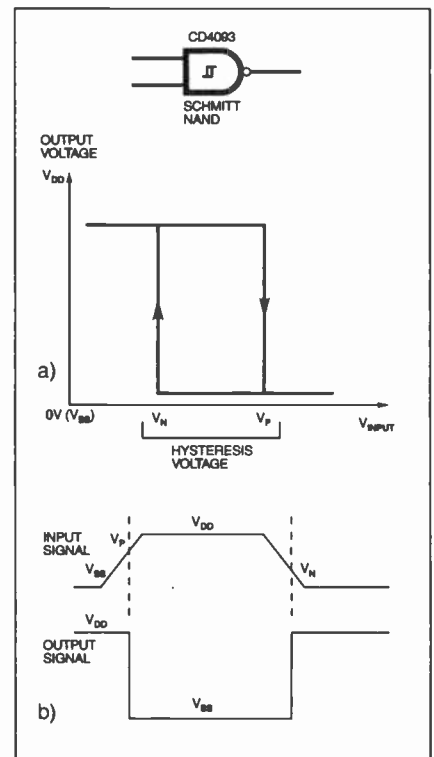


Fig.2a. Typical Schmitt trigger hysteresis curve. The difference between the two triggering points is called the hysteresis voltage. (b) illustrating how a slowly rising or falling waveform is translated by a Schmitt NAND gate into a sharply falling or rising edge.

What about the lamp's battery contacts? These were traced through and the wires were intact. The phosphor bronze contacts looked new and undamaged. A further test showed that power wasn't reaching the switch and bulb. Since the battery was known to be charged up, and everything else had tested out, that only left the removable battery not making proper contact with the searchlight. Even then, the contacts looked all right to me.

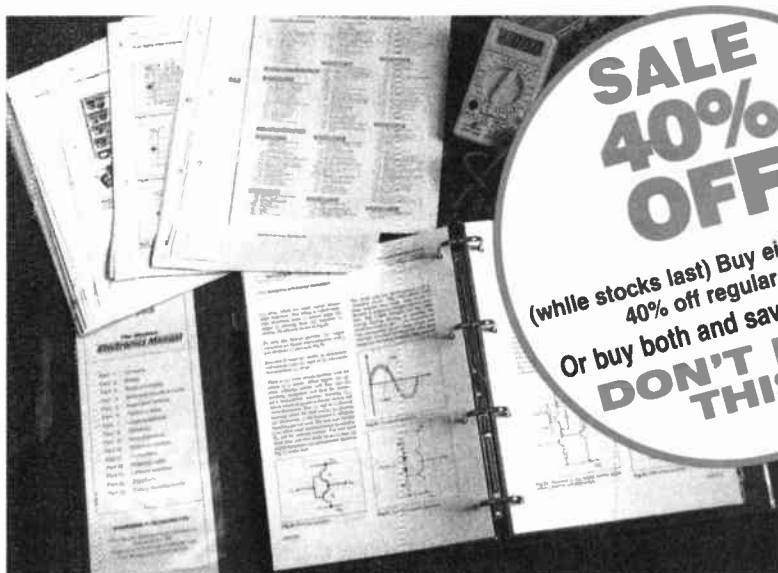
After much muttering and dark oaths, for some inexplicable reason the lamp suddenly started working again! A sliver of loose plastic from the injection moulding was later found near the battery contacts, and I assumed that this must have broken away and caused one of the contacts to break the circuit – a simple fault which never-the-less took nearly two hours of messing about to resolve. Troubleshooting is 80 per cent detective work and 20 per cent experience with a bit of good luck thrown in as well.

If you ever experience problems with EPE constructional projects, help is never too far away and you can usually write to the designer c/o the Editorial address, explaining all the symptoms along with any test measurements, and with luck the original author may be able to offer some pointers. Also consider asking in the EPE Chat Zone message board on our web site.

Note that we are not usually able to publish authors' E-mail addresses, and we cannot offer help on projects more than five years old. Meantime I hope the above offers a few pointers to help you develop your own fault finding routines. ARW.

**WHETHER ELECTRONICS IS YOUR HOBBY
OR YOUR LIVELIHOOD . . .
YOU NEED THE MODERN ELECTRONICS MANUAL
and the ELECTRONICS SERVICE MANUAL**

THE MODERN ELECTRONICS MANUAL



**SALE
40%
OFF**
(while stocks last) Buy either Manual at
40% off regular price.
Or buy both and save even more.
**DON'T MISS
THIS!**

*The essential reference
work for everyone
studying electronics*

- Over 900 pages
- In-depth theory
- Projects to build
- Detailed assembly instructions
- Full components checklists
- Extensive data tables
- Detailed supply information
- Easy-to-use format
- Clear and simple layout
- Comprehensive subject range
- Professionally written
- Regular Supplements
- Sturdy gold blocked ring-binder

EVERYTHING YOU NEED TO GET STARTED AND GO FURTHER IN ELECTRONICS!

The revised edition of the Modern Electronics Base Manual contains practical, easy-to-follow information on the following subjects:

BASIC PRINCIPLES: Electronic Components and their Characteristics (16 sections from Resistors and Potentiometers to Crystals, Crystal Modules and Resonators), Circuits Using Passive Components (9 sections), Power Supplies, The Amateur Electronics Workshop, The Uses of Semiconductors, Digital Electronics (6 sections), Operational Amplifiers, Introduction to Physics, Semiconductors (6 sections) and Digital Instruments (5 sections).

CIRCUITS TO BUILD: There's nothing to beat the satisfaction of creating your own project. From basic principles, like soldering and making printed circuit boards, to circuit-building, the Modern Electronics Manual and its Supplements describe clearly, with appropriate diagrams, how to assemble radios, loudspeakers,

amplifiers, car projects, computer interfaces, measuring instruments, workshop equipment, security systems, etc. The Base Manual describes 13 projects including a Theremin and a Simple TENS Unit.

ESSENTIAL DATA: Extensive tables on diodes, transistors, thyristors and triacs, digital and linear i.c.s.

EXTENSIVE GLOSSARY: Should you come across a technical word, phrase or abbreviation you're not familiar with, simply turn to the glossary included in the Manual and you'll find a comprehensive definition in plain English.

The Manual also covers **Safety and Suppliers**. The most comprehensive reference work ever produced at a price you can afford, the revised edition of **THE MODERN ELECTRONICS MANUAL** provides you with all the *essential* information you need.

THE MODERN ELECTRONICS MANUAL

Revised Edition of Basic Work: Contains over 900 pages of information. Edited by John Becker.

Regular Supplements: Approximately 160-page Supplements of additional information which, if requested, are forwarded to you immediately on publication (four times a year). These are billed separately and can be discontinued at any time.

Presentation: Durable looseleaf system in large A4 format

Price of the Basic Work: ~~£39.95~~ **SALE PRICE £23.97** (to include a recent Supplement **FREE**)

Guarantee

Our 30 day money back guarantee gives you **complete peace of mind**. If you are not entirely happy with either Manual, for whatever reason, simply return it to us in good condition within 30 days and we will make a **full refund of your payment** – no small print and no questions asked.
(Overseas buyers do have to pay the overseas postage charge)

ELECTRONICS SERVICE MANUAL

EVERYTHING YOU NEED TO KNOW TO GET STARTED IN REPAIRING AND SERVICING ELECTRONIC EQUIPMENT

SAFETY: Be knowledgeable about Safety Regulations, Electrical Safety and First Aid.

UNDERPINNING KNOWLEDGE: Specific sections enable you to Understand Electrical and Electronic Principles, Active and Passive Components, Circuit Diagrams, Circuit Measurements, Radio, Computers, Valves and manufacturers' Data, etc.

PRACTICAL SKILLS: Learn how to identify Electronic Components, Avoid Static Hazards, Carry Out Soldering and Wiring, Remove and Replace Components.

TEST EQUIPMENT: How to Choose and Use Test Equipment, Assemble a Toolkit, Set Up a Workshop, and Get the Most from Your Multimeter and Oscilloscope, etc.

SERVICING TECHNIQUES: The regular Supplements include vital guidelines on how to Service Audio Amplifiers, Radio Receivers, TV Receivers, Cassette Recorders, Video Recorders, Personal Computers, etc.

TECHNICAL NOTES: Commencing with the IBM PC, this section and the regular Supplements deal with a very wide range of specific types of equipment – radios, TVs, cassette recorders, amplifiers, video recorders etc..

REFERENCE DATA: Detailing vital parameters for Diodes, Small-Signal Transistors, Power Transistors, Thyristors, Triacs and Field Effect Transistors. Supplements include Operational Amplifiers, Logic Circuits, Optoelectronic Devices, etc.

The essential work for servicing and repairing electronic equipment

- Around 900 pages
- Fundamental principles
- Troubleshooting techniques
- Servicing techniques
- Choosing and using test equipment
- Reference data
- Easy-to-use format
- Clear and simple layout
- Vital safety precautions
- Professionally written
- Regular Supplements
- Sturdy gold blocked ring-binder

ELECTRONICS SERVICE MANUAL

Basic Work: Contains around 900 pages of information. Edited by Mike Tooley BA

Regular Supplements: Approximately 160-page Supplements of additional information which, if requested, are forwarded to you immediately on publication (four times a year). These are billed separately and can be discontinued at any time.

Presentation: Durable looseleaf system in large A4 format

Price of the Basic Work: ~~£39.95~~ **SALE PRICE £23.97** (to include a recent Supplement FREE)

ORDER BOTH MANUALS TOGETHER AND SAVE ANOTHER £8

A mass of well-organised and clearly explained information is brought to you by expert editorial teams whose combined experience ensures the widest coverage
Regular Supplements to these unique publications, each around 160 pages, keep you abreast of the latest technology and techniques if required

REGULAR SUPPLEMENTS

Unlike a book or encyclopedia, these Manuals are living works – continuously extended with new material. If requested, Supplements are sent to you approximately every three months. Each Supplement contains around 160 pages – all for only £23.50+£2.50 p&p. You can, of course, return any Supplement (within ten days) which

you feel is superfluous to your needs. You can also purchase a range of past Supplements to extend your Base Manual on subjects of particular interest to you.

RESPONDING TO YOUR NEEDS

We are able to provide you with the most important and popular, up to date, features in our

Supplements. Our unique system is augmented by readers' requests for new information. Through this service you are able to let us know exactly what information you require in your Manuals.

You can also contact the editors directly in writing if you have a specific technical request or query relating to the Manuals.

PLEASE send me

THE MODERN ELECTRONICS MANUAL plus a FREE SUPPLEMENT

ELECTRONICS SERVICE MANUAL plus a FREE SUPPLEMENT

I enclose payment of £23.97 (for one Manual) or £39.94 for both Manuals (saving another £8 by ordering both together) plus postage if applicable.

I also require the appropriate Supplements four times a year. These are billed separately and can be discontinued at any time. (Please delete if not required.)

Should I decide not to keep the Manual/s I will return it/them to you within 30 days for a full refund.

FULL NAME
 (PLEASE PRINT)

ADDRESS

.....POSTCODE

SIGNATURE

I enclose cheque/PO payable to Wimborne Publishing Ltd.

Please charge my Visa/Mastercard

Card No. Card Exp. Date

ORDER FORM

Simply complete and return the order form with your payment to the following address:

Wimborne Publishing Ltd, Dept. Y6, Allen House, East Borough, Wimborne, Dorset BH21 1PF

We offer a 30 day MONEY BACK GUARANTEE

– if you are not happy with either Manual simply return it to us in good condition within 30 days for a full refund.

Overseas buyers do have to pay the overseas postage – see below.

POSTAGE CHARGES

Postal Region	Price PER MANUAL	
	Surface	Air
Mainland UK	FREE	–
Scottish Highlands, UK Islands & Eire	£5.50 each	–
Europe (EU)	–	£20 each
Europe (Non-EU)	£20 each	£26 each
USA & Canada	£25 each	£33 each
Far East & Australasia	£31 each	£35 each
Rest of World	£25 each	£45 each

Please allow four working days for UK delivery.
 NOTE: Surface mail can take over 10 weeks to some parts of the world. Each Manual weighs about 4kg when packed.

esm2

DIRECT BOOK SERVICE

Circuits and Design



ELECTRONICS TEACH-IN No. 7 ANALOGUE AND DIGITAL ELECTRONICS COURSE

(published by *Everyday Practical Electronics*)
Alan Winstanley and Keith Dye B.Eng(Tech)AMIEE
This highly acclaimed *EPE Teach-In* series, which included the construction and use of the *Mini Lab* and *Micro Lab* test and development units, has been put together in book form. Additionally, EPT Educational Software have developed a GCSE Electronics software program to compliment the course and a FREE DISK covering the first two parts of the course is included with the book.

An interesting and thorough tutorial series aimed specifically at the novice or complete beginner in electronics. The series is designed to support those undertaking either GCSE Electronics or GCE Advanced Levels, and starts with fundamental principles.

If you are taking electronics or technology at school or college, this book is for you. If you just want to learn the basics of electronics or technology you must make sure you see it. *Teach-In No. 7* will be invaluable if you are considering a career in electronics or even if you are already training in one. The *Mini Lab* and software enable the construction and testing of both demonstration and development circuits. These learning aids bring electronics to life in an enjoyable and interesting way; you will both see and hear the electron in action! The *Micro Lab* microprocessor add-on system will appeal to higher level students and those developing microprocessor projects.

160 pages **Order code T17** £3.95

FREE SOFTWARE

ELECTRONICS PROJECTS USING ELECTRONICS WORKBENCH plus FREE CD-ROM

M. P. Horsey
This book offers a wide range of tested circuit modules which can be used as electronics projects, part of an electronics course, or as a hands-on way of getting better acquainted with Electronics Workbench. With circuits ranging from 'bulbs and batteries' to complex systems using integrated circuits, the projects will appeal to novices, students and practitioners alike.

Electronics Workbench is a highly versatile computer simulation package which enables the user to design, test and modify their circuits before building them, and to plan PCB layouts on-screen. All the circuits in the book are provided as runnable Electronic Workbench files on the enclosed CD-ROM, and a selection of 15 representative circuits can be explored using the free demo version of the application.

Contents: Some basic concepts; Projects with switches, LEDs, relays and diodes; Transistors; Power supplies; Op.amp projects; Further op.amp circuits; Logic gates; Real logic circuits; Logic gate multivibrators; The 555 timer; Flip-flops, counters and shift registers; Adders, comparators and multiplexers; Field effect transistors; Thyristors, triacs and diacs; Constructing your circuit; Index.

227 pages **Order code NE29** £14.99

A BEGINNER'S GUIDE TO MODERN ELECTRONIC COMPONENTS

R. A. Penfold
The purpose of this book is to provide practical information to help the reader sort out the bewildering array of components currently on offer. An advanced knowledge of the theory of electronics is not needed, and this book is not intended to be a course in electronic theory. The main aim is to explain the differences between components of the same basic type (e.g. carbon, carbon film, metal film, and wire-wound resistors) so that the right component for a given application can be selected. A wide range of components are included, with the emphasis firmly on those components that are used a great deal in projects for the home constructor.

170 pages **Order code BP285** £4.99

FREE CD-ROM

PRACTICAL REMOTE CONTROL PROJECTS

Owen Bishop
Provides a wealth of circuits and circuit modules for use in remote control systems of all kinds; ultrasonic, infra-red, optical fibre, cable and radio. There are instructions for building fourteen novel and practical remote control projects. But this is not all, as each of these projects provides a model for building dozens of other related circuits by simply modifying parts of the design slightly to suit your own requirements. This book tells you how.

Also included are techniques for connecting a PC to a remote control system, the use of a microcontroller in remote control, as exemplified by the BASIC Stamp, and the application of ready-made type-approved 418MHz radio transmitter and receiver modules to remote control systems.

160 pages **Order code BP413** £5.99

DISCOVERING ELECTRONIC CLOCKS

W. D. Phillips
This is a whole book about designing and making electronic clocks. You start by connecting HIGH and LOW logic signals to logic gates. You find out about and then build and test bistables, crystal-controlled astables, counters, decoders and displays. All of these subsystems are carefully explained, with practical work supported by easy to follow prototype board layouts.

Full constructional details, including circuit diagrams and a printed circuit board pattern, are given for a digital electronic clock. The circuit for the First Clock is modified and developed to produce additional designs which include a Big Digit Clock, Binary Clock, Linear Clock, Andrew's Clock (with a semi-analogue display), and a Circles Clock. All of these designs are unusual and distinctive.

This is an ideal resource for project work in GCSE *Design and Technology: Electronics Product*, and for project work in AS-Level and A-Level *Electronics and Technology*.

194 pages, A4 spiral bound **Order code DEP1** £16.50

DOMESTIC SECURITY SYSTEMS

A. L. Brown
This book shows you how, with common sense and basic do-it-yourself skills, you can protect your home. It also gives tips and ideas which will help you to maintain and improve your home security, even if you already have an alarm. Every circuit in this book is clearly described and illustrated, and contains components that are easy to source. Advice and guidance are based on the real experience of the author who is an alarm installer, and the designs themselves have been rigorously put to use on some of the most crime-ridden streets in the world.

The designs include all elements, including sensors, detectors, alarms, controls, lights, video and door entry systems. Chapters cover installation, testing, maintenance and upgrading.

192 pages **Order code NE25** £14.99

MICROCONTROLLER COOKBOOK

Mike James
The practical solutions to real problems shown in this cookbook provide the basis to make PIC and 8051 devices really work. Capabilities of the variants are examined, and ways to enhance these are shown. A survey of common interface devices, and a description of programming models, lead on to a section on development techniques. The cookbook offers an introduction that will allow any user, novice or experienced, to make the most of micro-controllers.

240 pages **Order code NE26** £19.99

A BEGINNER'S GUIDE TO TTL DIGITAL ICs

R. A. Penfold
This book first covers the basics of simple logic circuits in general, and then progresses to specific TTL logic integrated circuits. The devices covered include gates, oscillators, timers, flip/flops, dividers, and decoder circuits. Some practical circuits are used to illustrate the use of TTL devices in the 'real world'.

142 pages **Order code BP332** £4.95

ELECTRONIC MODULES AND SYSTEMS FOR BEGINNERS

Owen Bishop
This book describes over 60 modular electronic circuits, how they work, how to build them, and how to use them. The modules may be wired together to make hundreds of different electronic systems, both analogue and digital. To show the reader how to begin building systems from modules, a selection of over 25 electronic systems are described in detail, covering such widely differing applications as timing, home security, measurement, audio (including a simple radio receiver), games and remote control.

200 pages **Temporarily out of print**

PRACTICAL ELECTRONICS CALCULATIONS AND FORMULAE

F. A. Wilson, C.G.I.A., C.Eng., F.I.E.E., F.I.E.R.E., F.B.I.M.
Bridges the gap between complicated technical theory, and 'cut-and-try' methods which may bring success in design but leave the experimenter unfulfilled. A strong practical bias - tedious and higher mathematics have been avoided where possible and many tables have been included. The book is divided into six basic sections: Units and Constants, Direct-Current Circuits, Passive Components, Alternating-Current Circuits, Networks and Theorems, Measurements.

256 pages **Order code BP53** £4.99

The books listed have been selected by *Everyday Practical Electronics* editorial staff as being of special interest to everyone involved in electronics and computing. They are supplied by mail order to your door. Full ordering details are given on the last book page.

FOR ANOTHER SELECTION OF BOOKS SEE
THE NEXT TWO MONTHS' ISSUES.

Note our UK postage costs just £1.50 no matter how many books you order!

Computing

WINDOWS 95 EXPLAINED

P. R. M. Oliver and N. Kantaris
If you would like to get up and running, as soon as possible, with the Windows 95 operating system, then this is the book for you.

The book was written with the non-expert, busy person in mind. It explains the hardware that you need in order to run Windows 95 successfully, and how to install and optimize your system's resources. It presents an overview of the Windows 95 environment.

Later chapters cover how to work with programs, folders and documents; how to control Windows 95 and use the many accessories that come with it; how to use DOS programs and, if necessary, DOS commands and how to communicate with the rest of the electronic world.

170 pages **Order code BP400** £5.95

EASY PC INTERFACING

R. A. Penfold
Although the internal expansion slots of a PC provide full access to the computer's buses, and are suitable for user add-ons, making your own expansion cards requires a fair amount of expertise and equipment. The built-in ports provide what is often a much easier and hassle-free way of interfacing your own circuits to a PC. In particular, a PC printer port plus a small amount of external hardware provides a surprisingly versatile input/output port. The PC 'games' port is less useful for general interfacing purposes, but it can be useful in some applications.

This book provides a number of useful PC add-on circuits including the following: Digital input/output ports; Analogue-to-digital converter; Digital-to-Analogue Converter; Voltage and Current measurement circuits; Resistance meter; Capacitance meter; Temperature

measurement interface; Biofeedback monitor; Constant voltage model train controller; Pulsed model train controllers; Position sensor (optical, Hall effect, etc.); Stepper motor interface; Relay and LED drivers; Triac mains switching interface.

179 pages **Order code B385** £4.99

INTRODUCTION TO MICROPROCESSORS

John Crisp
If you are, or soon will be, involved in the use of microprocessors, this practical introduction is essential reading. This book provides a thoroughly readable introduction to microprocessors, assuming no previous knowledge of the subject, nor a technical or mathematical background. It is suitable for students, technicians, engineers and hobbyists, and covers the full range of modern microprocessors.

After a thorough introduction to the subject, ideas are developed progressively in a well-structured format. All technical terms are carefully introduced and subjects which have proved difficult, for example 2's complement, are clearly explained. John Crisp covers the complete range of microprocessors from the popular 4-bit and 8-bit designs to today's super-fast 32-bit and 64-bit versions that power PCs and engine management systems etc.

Contents: The world changed in 1971; Microprocessors don't have ten fingers; More counting; Mathematical micros; It's all a matter of logic; Registers and memories; A microprocessor based system; A typical 8-bit microprocessor; Programming, High level languages; Micros are getting bigger and faster; The Pentium; The PowerPC; The Alpha 21164 microprocessor; Interfacing; Test equipment and fault finding.

222 pages **Order code NE31** £16.99

Theory and Reference

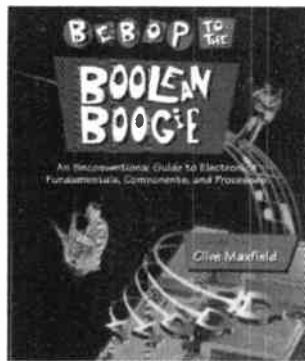
Bebop To The Boolean Boogie

By Clive (call me Max)
Maxfield

ORDER CODE BEB1
£24.95

470 pages. Large format
**Specially imported by EPE –
Excellent value**

An Unconventional Guide to
Electronics Fundamentals,
Components and Processes



This book gives the "big picture" of digital electronics. This in-depth, highly readable, up-to-the-minute guide shows you how electronic devices work and how they're made. You'll discover how transistors operate, how printed circuit boards are fabricated, and what the innards of memory ICs look like. You'll also gain a working knowledge of Boolean Algebra and Karnaugh Maps, and understand what Reed-Muller logic is and how it's used. And there's much, MUCH more (including a recipe for a truly great seafood gumbo!).

Hundreds of carefully drawn illustrations clearly show the important points of each topic. The author's tongue-in-cheek British humor makes it a delight to read, but this is a REAL technical book, extremely detailed and accurate. A great reference for your own shelf, and also an ideal gift for a friend or family member who wants to understand what it is you do all day. . . .

470 pages – large format

Order code BEB1

£24.95

**DIGITAL ELECTRONICS – A PRACTICAL APPROACH
With FREE Software: Number One Systems – EASY-PC
Professional XM and Pulsar (Limited Functionality)**

FREE
SOFTWARE

Richard Monk

Covers binary arithmetic, Boolean algebra and logic gates, combination logic, sequential logic including the design and construction of asynchronous and synchronous circuits and register circuits. Together with a considerable practical content plus the additional attraction of its close association with computer-aided design including the FREE software.

There is a 'blow-by-blow' guide to the use of EASY-PC Professional XM (a schematic drawing and printed circuit board design computer package). The guide also conducts the reader through logic circuit simulation using Pulsar software. Chapters on p.c.b. physics and p.c.b. production techniques make the book unique, and with its host of project ideas make it an ideal companion for the integrative assignment and common skills components required by BTEC and the key skills demanded by GNVQ. The principal aim of the book is to provide a straightforward approach to the understanding of digital electronics.

Those who prefer the 'Teach-In' approach or would rather experiment with some simple circuits should find the book's final chapters on printed circuit board production and project ideas especially useful.

250 pages

Order code NE28

£16.99

DIGITAL GATES AND FLIP-FLOPS

Ian R. Sinclair

This book, intended for enthusiasts, students and technicians, seeks to establish a firm foundation in digital electronics by treating the topics of gates and flip-flops thoroughly and from the beginning.

Topics such as Boolean algebra and Karnaugh mapping are explained, demonstrated and used extensively, and more attention is paid to the subject of synchronous counters than to the simple but less important ripple counters.

No background other than a basic knowledge of electronics is assumed, and the more theoretical topics are explained from the beginning, as also are many working practices. The book concludes with an explanation of micro-processor techniques as applied to digital logic.

200 pages

Order code PC106

£8.95

Bebop Bytes Back

By Clive "Max" Maxfield
and Alvin Brown

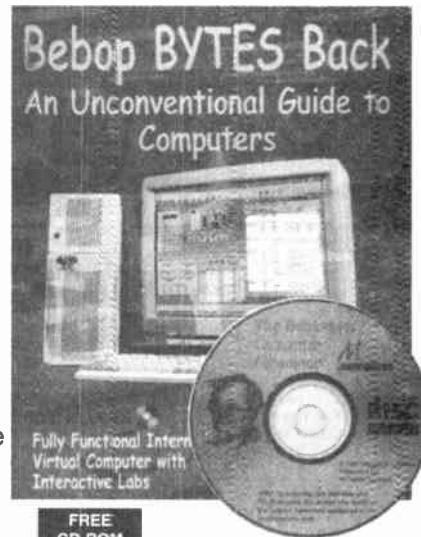
ORDER CODE BEB2
£29.95

Over 500 pages. Large
format

**Specially imported by
EPE – Excellent value**

An Unconventional Guide
To Computers

Plus FREE CD-ROM which
includes: Fully Functional
Internet-Ready Virtual
Computer with Interactive
Labs



Fully Functional Internet-Ready
Virtual Computer with
Interactive Labs

FREE
CD-ROM

This follow-on to *Bebop to the Boolean Boogie* is a multimedia extravaganza of information about how computers work. It picks up where "Bebop!" left off, guiding you through the fascinating world of computer design . . . and you'll have a few chuckles, if not belly laughs, along the way. In addition to over 200 megabytes of mega-cool multimedia, the accompanying CD-ROM (for Windows 95 machines only) contains a virtual microcomputer, simulating the motherboard and standard computer peripherals in an extremely realistic manner. In addition to a wealth of technical information, myriad nuggets of trivia, and hundreds of carefully drawn illustrations, the book contains a set of lab experiments for the virtual microcomputer that let you recreate the experiences of early computer pioneers. If you're the slightest bit interested in the inner workings of computers, then don't dare to miss this one!

Over 500 pages – large format

Order code BEB2

£29.95

NEWNES INTERACTIVE ELECTRONIC CIRCUITS CD-ROM

CD-ROM

Edited by Owen Bishop

An expert adviser, an encyclopedia, an analytical tool and a source of real design data, all in one CD-ROM. Written by leading electronics experts, the collected wisdom of the electronics world is at your fingertips. The simple and attractive Circuits Environment™ is designed to allow you to find the circuit or advice notes of your choice quickly and easily using the search facility. The text is written by leading experts as if they were explaining the points to you face to face. Over 1,000 circuit diagrams are presented in a standardised form, and you are given the option to analyse them by clicking on the Action icon. The circuit groups covered are: Amplifiers, Oscillators, Power, Sensing, Signal Processing, Filters, Measurement, Timing, Logic Circuits, Telecommunications.

The analysis tool chosen is SpiceAge for Windows, a powerful and intuitive application, a simple version of which automatically bursts into action when selected.

Newnes Interactive Electronic Circuits allows you to: analyse circuits using top simulation program SpiceAge; test your design skills on a selection of problem circuits; clip comments to any page and define bookmarks; modify component values within the circuits; call up and display useful formulae which remain on screen; look up over 100 electronic terms in the glossary; print and export netlists.

System Requirements: PC running Windows 3.x, 95 or NT on a 386 or better processor. 4MB RAM, 8MB disk space.

CD-ROM

Order code NE-CD1

£49.95

Audio and Music

**AN INTRODUCTION TO LOUSPEAKERS AND
ENCLOSURE DESIGN**

V. Capel

This book explores the various features, good points and snags of speaker designs. It examines the whys and wherefores so that the reader can understand the principles involved and so make an informed choice of design, or even design loudspeaker enclosures for him – or herself. Crossover units are also explained, the various types, how they work, the distortions they produce and how to avoid them. Finally there is a step-by-step description of the construction of the *Kapellmeister* loudspeaker enclosure.

148 pages

Order code BP256

£3.99

PREAMPLIFIER AND FILTER CIRCUITS

R. A. Penfold

This book provides circuits and background information for a range of preamplifiers, plus tone controls, filters, mixers, etc. The use of modern low noise operational amplifiers and a specialist high performance audio preamplifier i.c. results in circuits that have excellent performance, but which are still quite simple. All the circuits featured can be

built at quite low cost (just a few pounds in most cases). The preamplifier circuits featured include: Microphone pre-amplifiers (low impedance, high impedance, and crystal). Magnetic cartridge pick-up preamplifiers with R.I.A.A. equalisation. Crystal/ceramic pick-up preamplifier. Guitar pick-up preamplifier. Tape head preamplifier (for use with compact cassette systems).

Other circuits include: Audio limiter to prevent overloading of power amplifiers. Passive tone controls. Active tone controls. PA filters (highpass and lowpass). Scratch and rumble filters. Loudness filter. Audio mixers. Volume and balance controls.

92 pages

Order code 309

£3.99

HIGH POWER AUDIO AMPLIFIER CONSTRUCTION

R. A. Penfold

Practical construction details of how to build a number of audio power amplifiers ranging from about 50 to 300/400 watts r.m.s. includes MOSFET and bipolar transistor designs.

96 pages

Order code BP277

£3.99

ACOUSTIC FEEDBACK – HOW TO AVOID IT

V. Capel

Feedback is the bane of all public address systems. While feedback cannot be completely eliminated, many things can be done to reduce it to a level at which it is no longer a problem.

Much of the trouble is often the hall itself – not the equipment, but there is a simple and practical way of greatly improving acoustics. Some microphones are prone to feedback while others are not. Certain loudspeaker systems are much better than others, and the way the units are positioned can produce a reduced feedback. All these matters are fully explored as well as electronic aids such as equalizers, frequency-shifters and notch filters.

The special requirements of live group concerts are considered, and also the related problem of instability that is sometimes encountered with large set-ups. We even take a look at some unsuccessful attempts to cure feedback so as to save readers wasted time and effort duplicating them.

Also included is the circuit and layout of an inexpensive but highly successful twin-notch filter, and details on how to operate it.

92 pages

Temporarily out of print

Testing, Theory, Data and Reference

SCROGGIE'S FOUNDATIONS OF WIRELESS AND ELECTRONICS - ELEVENTH EDITION

S. W. Amos and Roger Amos
Scroggie's Foundations is a classic text for anyone working with electronics, who needs to know the art and craft of the subject. It covers both the theory and practical aspects of a huge range of topics from valve and tube technology, and the application of cathode ray tubes to radar, to digital tape systems and optical recording techniques.

Since *Foundations of Wireless* was first published over 60 years ago, it has helped many thousands of readers to become familiar with the principles of radio and electronics. The original author Sowerby was succeeded by Scroggie in the 1940s, whose name became synonymous with this classic primer for practitioners and students alike. Stan Amos, one of the fathers of modern electronics and the author of many well-known books in the area, took over the revision of this book in the 1980s and it is he, with his son, who have produced this latest version.

400 pages **Order code NE27** £19.99

ELECTRONICS MADE SIMPLE

Ian Sinclair

Assuming no prior knowledge, *Electronics Made Simple* presents an outline of modern electronics with an emphasis on understanding how systems work rather than on details of circuit diagrams and calculations. It is ideal for students on a range of courses in electronics, including GCSE, C&G and GNVQ, and for students of other subjects who will be using electronic instruments and methods.

Contents: waves and pulses, passive components, active components and ICs, linear circuits, block and circuit diagrams, how radio works, disc and tape recording, elements of TV and radar, digital signals, gating and logic circuits, counting and correcting, microprocessors, calculators and computers, miscellaneous systems.

Page 199 (large format) **Order code NE23** £12.99

TRANSISTOR DATA TABLES

Hans-Günther Steidle

The tables in this book contain information about the package shape, pin connections and basic electrical data for each of the many thousands of transistors listed. The data includes maximum reverse voltage, forward current and power dissipation, current gain and forward transmittance and resistance, cut-off frequency and details of applications.

A book of this size is of necessity restricted in its scope, and the individual transistor types cannot therefore be described in the sort of detail that maybe found in some larger and considerably more expensive data books. However, the list of manufacturers' addresses will make it easier for the prospective user to obtain further information, if necessary.

Lists over 8,000 different transistors, including f.e.t.s. 200 pages **Order code BP401** £5.95

ELECTRONIC TEST EQUIPMENT HANDBOOK

Steve Money

The principles of operation of the various types of test instrument are explained in simple terms with a minimum of mathematical analysis. The book covers analogue and digital meters, bridges, oscilloscopes, signal generators, counters, timers and frequency measurement. The practical uses of the instruments are also examined.

Everything from Oscillators, through R, C & L measurements (and much more) to Waveform Generators and testing Zeners.

206 pages **Order code PC109** £8.95

GETTING THE MOST FROM YOUR MULTIMETER

R. A. Penfold

This book is primarily aimed at beginners and those of limited experience of electronics. Chapter 1 covers the basics of analogue and digital multimeters, discussing the relative merits and the limitations of the two types. In Chapter 2 various methods of component checking are described, including tests for transistors, thyristors, resistors, capacitors and diodes. Circuit testing is covered in Chapter 3, with subjects such as voltage, current and continuity checks being discussed.

In the main little or no previous knowledge or experience is assumed. Using these simple component and circuit testing techniques the reader should be able to confidently tackle servicing of most electronic projects.

96 pages **Order code BP239** £2.95

NEWNES ELECTRONICS TOOLKIT - SECOND EDITION

Geoff Phillips

The author has used his 30 years experience in industry to draw together the basic information that is constantly demanded. Facts, formulae, data and charts are presented to help the engineer when designing, developing, evaluating, fault finding and repairing electronic circuits. The result is this handy workmate volume: a memory aid, tutor and reference source which is recommended to all electronics engineers, students and technicians.

Have you ever wished for a concise and comprehensive guide to electronics concepts and rules of thumb? Have you ever been unable to source a component, or choose between two alternatives for a particular application? How much time do you spend searching for basic facts or manufacturer's specifications? This book is the answer, it covers resistors, capacitors, inductors, semiconductors, logic circuits, EMC, audio, electronics and music, telephones, electronics in lighting, thermal considerations, connections, reference data.

158 pages **Order code NE20** £14.99

PRACTICAL ELECTRONIC FAULT FINDING AND TROUBLESHOOTING

Robin Pain

This is not a book of theory. It is a book of practical tips, hints, and rules of thumb, all of which will equip the reader to tackle any job. You may be an engineer or technician in search of information and guidance, a college student, a hobbyist building a project from a magazine, or simply a keen self-taught amateur who is interested in electronic fault finding but finds books on the subject too mathematical or specialized.

The book covers: Basics - Voltage, current and resistance; Capacitance, inductance and impedance; Diodes and transistors; Op-amps and negative feedback; Fault finding - Analogue fault finding, Digital fault finding; Memory; Binary and hexadecimal; Addressing; Discrete logic; Microprocessor action; I/O control; CRT control; Dynamic RAM; Fault finding digital systems; Dual trace oscilloscope; IC replacement.

274 pages **Order code NE22** £18.99

AN INTRODUCTION TO LIGHT IN ELECTRONICS

F. A. Wilson

This book is not for the expert but neither is it for the

completely uninitiated. It is assumed the reader has some basic knowledge of electronics. After dealing with subjects like Fundamentals, Waves and Particles and The Nature of Light such things as Emitters, Detectors and Displays are discussed. Chapter 7 details four different types of Lasers before concluding with a chapter on Fibre Optics.

161 pages **Order code BP359** £4.95

UNDERSTANDING DIGITAL TECHNOLOGY

F. A. Wilson C.G.I.A., C.Eng., F.I.E.E., F.I. Mgt.

This book examines what digital technology has to offer and then considers its arithmetic and how it can be arranged for making decisions in so many processes. It then looks at the part digital has to play in the ever expanding Information Technology, especially in modern transmission systems and television. It avoids getting deeply involved in mathematics.

Various chapters cover: Digital Arithmetic, Electronic Logic, Conversions between Analogue and Digital Structures, Transmission Systems. Several Appendices explain some of the concepts more fully and a glossary of terms is included.

183 pages **Order code BP376** £4.95

Project Building

ELECTRONIC PROJECT BUILDING FOR BEGINNERS

R. A. Penfold

This book is for complete beginners to electronic project building. It provides a complete introduction to the practical side of this fascinating hobby, including:

Component identification, and buying the right parts; resistor colour codes, capacitor value markings, etc; advice on buying the right tools for the job; soldering; making easy work of the hard wiring; construction methods, including stripboard, custom printed circuit boards, plain matrix boards, surface mount boards and wire-wrapping; finishing off, and adding panel labels; getting "problem" projects to work, including simple methods of fault-finding.

In fact everything you need to know in order to get started in this absorbing and creative hobby.

135 pages **Order code BP392** £4.95

45 SIMPLE ELECTRONIC TERMINAL BLOCK PROJECTS

R. Bebbington

Contains 45 easy-to-build electronic projects that can be constructed, by an absolute beginner, on terminal blocks using only a screwdriver and other simple hand tools. No soldering is needed.

Most of the projects can be simply screwed together, by following the layout diagrams, in a matter of minutes and readily unscrewed if desired to make new circuits. A theoretical circuit diagram is also included with each project to help broaden the constructor's knowledge.

The projects included in this book cover a wide range of interests under the chapter headings: Connections and Components, Sound and Music, Entertainment, Security Devices, Communication, Test and Measuring.

163 pages **Order code BP378** £4.95

30 SIMPLE IC TERMINAL BLOCK PROJECTS

R. Bebbington

Follow on from BP378 using ICs.

117 pages **Order code BP379** £4.99

HOW TO DESIGN AND MAKE YOUR OWN P.C.B.S

R. A. Penfold

Deals with the simple methods of copying printed circuit board designs from magazines and books and covers all aspects of simple p.c.b. construction including photographic methods and designing your own p.c.b.s.

80 pages **Order code BP121** £3.99

IC555 PROJECTS

E. A. Parr

Every so often a device appears that is so useful that one wonders how life went on before without it. The 555 timer is such a device. It was first manufactured by Signetics, but is now manufactured by almost every semiconductor manufacturer in the world and is inexpensive and very easily obtainable.

Included in this book are over 70 circuit diagrams and descriptions covering basic and general circuits, motor car and model railway circuits, alarms and noise makers as well as a section on 556, 558 and 559 timers. (Note. No construction details are given.)

A reference book of invaluable use to all those who have any interest in electronics, be they professional engineers or designers, students of hobbyists.

167 pages **Order code BP44** £3.99

BOOK ORDERING DETAILS

Our postage price is the same no matter how many books you order, just add £1.50 to your total order for postage and packing (overseas readers add £3 for countries in the EEC, or add £6 for all countries outside the EEC, surface mail postage) and send a PO, cheque, international money order (£ sterling only) made payable to **Direct Book Service** or credit card details, Visa or Mastercard - minimum credit card order is £5 - to: **DIRECT BOOK SERVICE, ALLEN HOUSE, EAST BOROUGH, WIMBORNE, DORSET BH21 1PF.**

Books are normally sent within seven days of receipt of order, but please allow 28 days for delivery - more for overseas orders. Please check price and availability (see latest issue of *Everyday Practical Electronics*) before ordering from old lists.

For a further selection of books see the next two issues of *EPE*.

DIRECT BOOK SERVICE IS A DIVISION OF WIMBORNE PUBLISHING LTD. Tel 01202 881749

Fax 01202 841692. Due to the cost we cannot reply to overseas orders or queries by Fax.

E-mail: dbs@epemag.wimbome.co.uk

BOOK ORDER FORM

Full name:

Address:

.....

.....

..... Post code: Telephone No:

Signature:

I enclose cheque/PO payable to DIRECT BOOK SERVICE for £

Please charge my Visa/Mastercard £ Card expiry date

Card Number

Please send book order codes:

.....

Please continue on separate sheet of paper if necessary

Everyday Practical Electronics reaches twice as many UK readers as any other UK monthly hobby electronics magazine, our audited sales figures prove it. We have been the leading independent monthly magazine in this market for the last fifteen years.

If you want your advertisements to be seen by the largest readership at the most economical price our classified and semi-display pages offer the best value. The prepaid rate for semi-display space is £8 (+VAT) per single column centimetre (minimum 2.5cm). The prepaid rate for classified adverts is 30p (+VAT) per word (minimum 12 words).

All cheques, postal orders, etc., to be made payable to Everyday Practical Electronics. VAT must be added. Advertisements, together with remittance, should be sent to Everyday Practical Electronics Advertisements, Mill Lodge, Mill Lane, Thorpe-le-Soken, Essex CO16 0ED. Phone/Fax (01255) 861161.

For rates and information on display and classified advertising please contact our Advertisement Manager, Peter Mew as above.

Valve Output Transformers: Single ended 50mA, £4.50; push/pull 15W, £27; 30W, £32; 50W, £38; 100W, £53. Mains Transformers: Sec 220V 30mA 6V 1A, £3; 250V 60mA 6V 2A, £5; 250V 80mA 6V 2A, £6. High Voltage Caps: 50µF 350V, 68µF 500V, 150µF 385V, 330µF 400V, 470µF 385V, all £3 ea., 32+32µF 450V £5. Postage extra.
Record Decks and Spares: BSR, Garrard, Goldring, motors, arms, wheels, headshells, spindles, etc. Send or phone your want list for quote.

RADIO COMPONENT SPECIALISTS

337 WHITEHORSE ROAD, CROYDON
SURREY, CR0 2HS. Tel: 0208-684 1666
Lots of transformers, high volt caps, valves, output transformers, speakers, in stock. Phone or send your wants list for quote.

BEAM > ROBOTS
View them Online
Also Robot Arms
Mobile Arms
Micromice
Rovers
Cybugs
Robot Books
www.technologyindex.com

**TIS - Midlinbank Farm
Ryeland, Strathaven ML10 6RD**

Manuals on anything electronic

Circuits - VCR £8, CTV £6
Service Manuals from £10
Repair Manuals from £5
P&P any order £2.50

Write, or ring 01357 440280 for full details
of our lending service and FREE quote for
any data

**BTEC ELECTRONICS
TECHNICIAN TRAINING**

GNVQ ADVANCED ENGINEERING
(ELECTRONIC) - PART-TIME
HND ELECTRONICS - FULL-TIME
B.Eng FOUNDATION - FULL-TIME

Next course commences
Monday 18th September 2000
FULL PROSPECTUS FROM

LONDON ELECTRONICS COLLEGE
(Dept EPE) 20 PENYERN ROAD
EARLS COURT, LONDON SW5 9SU
TEL: 0171-373 8721

**THE BRITISH AMATEUR
ELECTRONICS CLUB**

exists to help electronics enthusiasts by
personal contact and through a quarterly
Newsletter.

For membership details, write to the
Secretary:

Mr. M. P. Moses,
5 Park View, Cwmaman,
Aberdare CF44 6PP

Space donated by
Everyday Practical Electronics

Miscellaneous

X-10® Home Automation
We put you in control™

Why tolerate when you can automate?

An extensive range of 230V X-10 products
and starter kits available. Uses proven Power
Line Carrier technology, no wires required.
Products Catalogue available Online.
Worldwide delivery.
Philips Pronto Intelligent Remote now available!

Laser Business Systems Ltd.

E-Mail: info@laser.com
http://www.laser.com
Tel: (0181) 441 9788
Fax: (0181) 449 0430

**Z88 NOW AVAILABLE WITH
128K AND 512K - OZ4**

**ALSO SPECTRUM
AND QL PARTS**

W. N. RICHARDSON & CO.
PHONE/FAX 01494 8713196
RAVENSMOOR, CHALFONT ST PETER,
BUCKS, SL9 0NB

PRINTED CIRCUIT BOARDS - QUICK

SERVICE. Prototype and production artwork
raised from magazines or draft designs at low cost.
PCBs designed from schematics. Production
assembly, wiring and software programming. For
details contact Patrick at Agar Circuits, Unit 5, East
Belfast Enterprise Park, 308 Alberbridge Road,
Belfast, BT5 4GX. Phone 028 9073 8897, Fax 028
9073 1802. E-mail agar@argonet.co.uk.

PCB MANUFACTURING SERVICE. Affordable
PCB production from CAD or magazines
(fibre glass single-sided only). For detailed infor-
mation and cost, write to: Mr. Belt, 5 Velden Way,
Mill Road, Market Rasen, Lincs LN8 3HD
(including a sae).

HEAR TWEAKS' PINGS-WHISTLES.
Unique Receiver Design; Self-A Envelope. PO
Box 694, St Helier, JE4 9PZ, Jersey CI.

PCBs made for home projects, tinned and
drilled. Vero and breadboard layouts copied.
Low cost. E-mail: JFWilliams@Mail.com.

PROTOTYPE PRINTED CIRCUIT BOARDS
one offs and quantities, for details send s.a.e. to
B. M. Ansbro, 38 Poynings Drive, Hove, Sussex
BN3 8GR, or phone Brighton 883871, fax 01273
706670.

G.C.S.E. ELECTRONIC KITS, at pocket
money prices. S.A.E. for FREE catalogue. SIR-
KIT Electronics, 52 Severn Road, Clacton, CO15
3RB.

VALVE ENTHUSIASTS: Capacitors and other
parts in stock. For free advice/lists please ring,
Geoff Davies (Radio), Tel. 01788 574774.

**100W and 250W SOLID STATE POWER
AMPLIFIERS**, power supplies, active crossovers
and stepped attenuator p.c.b.s, kits or A&T mod-
ules. PCBs are professional grade with solder
mask and component location silkscreen. We also
supply a wide range of top quality audiophile
active and passive components, specialising in the
latest high performance Japanese transistors and
UK lateral power MOSFETs. Write for a free cat-
alogue. Mail order only. White Noise, 11 Station
Road, Bearsden, Glasgow G61 4AW. Tel: 0141
942 2460.

**FREE PROTOTYPE PRINTED CIRCUIT
BOARDS!** Free prototype p.c.b. with quantity
orders. Call Patrick on 028 9073 8897 for details.
Agar Circuits, Unit 5, East Belfast Enterprise Park,
308 Alberbridge Road, Belfast BT5 4GX.

BUILD A POWER SUPPLY! Fully regulated
15-30V DC. 12 projects to build plus 20 compo-
nent samples. Send 50p: K.I.A., 1 Regent Road,
Ilkley LS29.

SMALL PROJECTS UNDERTAKEN. Design,
build, test and report. Send details for estimate.
Tensol Electronics, 8 Bedling Terrace, Treharris,
CF46 6SB.

**MANUAL OF SURVEILLANCE DIA-
GRAMS**, bugging devices, telephone transmit-
ters, mains operated bugs, includes stripboard
projects. £10 P.O. to: G. Stockbridge, 387
Meadgate Avenue, Great Baddow, Chelmsford,
Essex CM2 7NN.

FOR SALE: Kirlian Aura photographic appar-
atus, brand new with colour film, £190. Also :
Goldstar double-beam oscilloscope, type OS-
9000SRS DC to 20MHz. One year old, cost
£365, will accept £265. Philip, 0181 699 5181
daytime (Forest Hill, London), 0181 291 9105
after 9 p.m.

EPE NET ADDRESSES

EPE FTP site: ftp://ftp.epemag.wimbome.co.uk
Access the FTP site by typing the above into your web browser, or by setting up an FTP session using appropriate
FTP software, then go into quoted sub-directories:
PIC-project source code files: /pub/PICS
PIC projects each have their own folder; navigate to the correct folder and open it, then fetch all the files contained with-
in. Do not try to download the folder itself!
EPE text files: /pub/docs
Basic Soldering Guide: solder.txt
EPE TENS Unit user advice: tens.doc and tens.txt
Ingenuity Unlimited submission guidance: ing_unit.txt
New readers and subscribers info: epe_info.txt
Newsgroups or Usenet users advice: usenet.txt
Ni-Cad discussion: nicadfaq.zip and nicad2.zip
Writing for EPE advice: write4us.txt

On-line readers! Try the EPE Chat Zone - a virtually real-time
internet "discussion board" in a simple to use web-based forum!
http://www.epemag.wimbome.co.uk/wwwboard
Or buy EPE Online: www.epemag.com

Ensure you set your FTP soft-
ware to ASCII transfer when
fetching text files, or they may be
unreadable.

Note that any file which ends in
.zip needs unzipping before use.
Unzip utilities can be downloaded
from:
http://www.winzip.com or
http://www.pkware.com

ELECTRONICS SURPLUS CLEARANCE SALE

SCOOP PURCHASE: FLUKE HAND HELD DIGITAL MULTIMETER, MODEL 8024B. Cancelled export order 750V AC/DC 2 amp AC/DC Resistance 20Megohm plus Siemens range. Also measures temperature -20°C to +1265°C. Temp. probe not included. Calibrated for K-type thermocouple. Peak hold facility. Supplied brand new and boxed but with original purchasing organisation's small identifying mark on case. Test leads and handbook included. Offered at a fraction of original price: £47.50, p&p £6.50

MAGNETIC CREDIT CARD READER: Keyboard and lap top display system, part of point-of-sale unit. Cost over £150, our price £7.50, carriage £6.50; two units £25 incl. carriage. To be used for experimental purposes only. No info.

SECURITY ALARM SYSTEM: Consisting of wire loop, pressure pad, piezo alarm, sounder, key switch, plastic case. £4.50, p&p £2.50

COMPONENTS - 1/4W METAL/CARBON FILM RESISTORS: Mixed values, 250 for £1, p&p 75p

REGULATORS: 7805 1A 5V pos., 5 for £1 post free

FREE: A listing of new first class components and electronic items at below trade prices. Includes manufacturers' surplus and overstocks. Also valves and high voltage caps.

(Dept E) CHEVET SUPPLIES LTD

157 Dickson Road, BLACKPOOL FY1 2EU

Tel: (01253) 751858. Fax: (01253) 302979



Professional 88-108MHz FM Broadcasting Kits

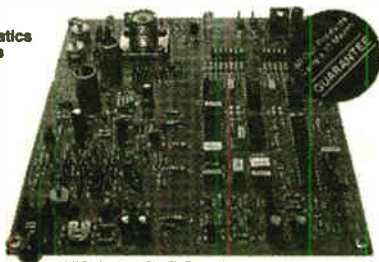
All Our Kits Include

Detailed Instructions with Schematics
High Quality Screen Printed PCBs
High Quality Components

Our Product Range Includes

Transmitters from 0-05W to 35W
FM Stereo Coders
Audio Compressor Limiters
Antennas
RF Power Amps

Our Kits Are Also Available
Fully Assembled And Tested



1W Professional PLL FM Transmitter for Licensed Use In the UK

Visit our Website at <http://www.veronica.co.uk>



WE DELIVER WORLD-WIDE AND
ACCEPT MAJOR CREDIT CARDS

Contact Us Now For A Free Brochure

Tel 01274 883434 Fax 01274 428665
email info@veronica.co.uk

Unit 5/6 1A Sandbede/Albert Rd Queensbury BRADFORD BD13 1AA



COVERT VIDEO CAMERAS

Black and White Pin Hole Board Cameras
with Audio. Cameras in P.I.R., Radios,
Clocks, Briefcases etc. Transmitting
Cameras with Receiver (Wireless).

Cameras as above with colour.
Audio Surveillance Kits and Ready Built
Units, Bug Detector etc.

A.L. ELECTRONICS

Please phone 0181 203 6008 for free catalogue.
Fax 0181 201 5359

www.uspy.com

New DTI approved Video Transmitters and Receivers (Wireless)

Major credit cards now taken

CCTV CAMERAS DEALS



HIGH
QUALITY
EXTRA
SMALL
B&W
CAMERA

1/3in. CCD BOARD CAMERA
WITH AUTO BACKLIGHT
COMPENSATION

128 STEP ELECTRONIC IRIS
AND 380 TV LINES
RESOLUTION.

320,000 PIXELS AND 0.2 LUX
LEVEL GIVES REMARKABLE
CRYSTAL CLEAR PICTURES

32mm (w) x 32mm (h) x 20mm (h)

MAPLINS PRICE £79.99

OUR PRICE £29.95

3.6mm WIDE ANGLE LENS

ADD £5 AUDIO



Camera PSU
and Cable Kit

A total solution for power-
ing and connecting to
our range of board camera
modules and covert
cameras. The kit contains
a quality plug-in
mains adaptor and a
20m pre-wired cable.

One end of the cable
has a SCART plug, an audio phono plug, a video phono plug and a
DC power socket. The lead from the mains adaptor is plugged into the
DC socket and either the SCART plug or audio and video phono plugs
are plugged into your TV, monitor or VCR.

MAPLINS PRICE £24.99. OUR PRICE £12.90



CAMERA CASING WITH SWIVEL BALL
BRACKET TO TAKE ANY OF OUR
BOARD CAMERAS £3.90

SPECIAL OFFER!

ORDER ALL THE ABOVE 4 items (camera, audio, casing + CABLE KIT)

PACKAGE DEAL £39.95 (Saving £11.80)



SONY COLOUR CCTV BOARD CAMERAS

The best colour cameras we have ever seen - the rich colours
and crystal clear images amazed our buyer! High grade Sony
image sensor chip has auto iris and 290,000 pixels, 330 TV line
resolution and LUX level 2. Standard UK PAL works on any TV or
monitor. Use with our camera PSU and cable kit (see above), size
32mm x 32mm, 12V DC or will work off PP3 9V battery

NEW LOWER PRICE £49.95 (audio add £5)

ALL GOODS ARE BRAND NEW
AND PERFECT. BULK BUYERS
PLEASE ASK FOR JOHN.
PRICES INCLUDE VAT.
£3 P.P. ANY SIZE ORDER



A.S.A. (Est. 1979)
51 Cambridge Road
Middlesbrough
TS5 5NL

Order Hotline
01642 851256
Fax:
01642 823173

TRAIN TODAY FOR A BETTER FUTURE

Now you can get the skills and qualifications you need for
career success with an ICS Home Study Course. Learn in the
comfort of your own home at the pace and times that suit you.
ICS is the world's largest, most experienced home study
school. Over the past 100 years ICS have helped nearly 10
million people to improve their job prospects. Find out how we
can help YOU. Post or phone today for FREE INFORMATION
on the course of your choice

Electrical Contracting & Installation
Electrical Engineering
C&G/ICS Basic Electronic Engineering
C&G/ICS Basic Mechanical Engineering
TV and Video Servicing
Radio and Hi-Fi Servicing
Refrigeration Heating & Air Conditioning
Motorcycle Maintenance

FREEPHONE 0500 581 557

Or write to: International Correspondence Schools, FREEPOST 882, 8 Elliot Place,
Clydeway Skypark, Glasgow, G3 8BR. Tel: 0500 581 557 or Tel/Fax: Dublin 285 2533.

Please send me my Free Information on your Electronics Courses.

Mr/Ms/Ms/Miss
(BLOCK CAPITALS PLEASE)

Date of Birth / /

Address

Postcode

Occupation Tel. No.

From time to time, we permit other carefully screened organisations to write to you about
products and services. If you would prefer not to hear from such organisations please tick box Dept. ZEEE 050500

N. R. BARDWELL LTD (EPE)

100	Signal Diodes 1N4148	£1.00
75	Rectifier Diodes 1N4001	£1.00
50	Rectifier Diodes 1N4007	£1.00
10	W01 Bridge Rectifiers	£1.00
10	555 Timer I.C.s	£1.00
4	741 Op Amps	£1.00
50	Assorted Zener Diodes 400mW	£1.00
12	Assorted 7-segment Displays	£1.00
25	5mm I.e.d.s, red, green or yellow	£1.00
30	3mm I.e.d.s, red, green or yellow	£1.00
50	Axial I.e.d.s, 2mcd red Diode Package	£1.00
25	Assd. High Brightness I.e.d.s, var cols	£1.00
20	BC182L Transistors	£1.00
25	BC212L Transistors	£1.00
30	BC237 Transistors	£1.00
20	BC327 Transistors	£1.00
30	BC328 Transistors	£1.00
30	BC347 Transistors	£1.00
30	BC548 Transistors	£1.00
30	BC549 Transistors	£1.00
25	BC557 Transistors	£1.00
30	BC558 Transistors	£1.00
30	BC559 Transistors	£1.00
20	2N3904 Transistors	£1.00
100	1nF 50V wkg Axial Capacitors	£1.00
100	4n7 50V wkg Axial Capacitors	£1.00
12	1uF 250V encapsulated radial plastic cased capacitors	£1.00
80	Assd capacitors electrolytic	£1.00
80	Assd. capacitors 1nF to 1µF	£1.00

200	Assd. disc ceramic capacitors	£1.00
50	Assd. SMD Presets (sm, stand, cermet)	£1.00
50	Assd. RF chokes (inductors)	£1.00
50	Assd. grommets	£1.00
80	Assd. solder tags, p/conns, terminals	£1.00
10	Assd. crystals - plug in	£1.00
24	Assd. coil formers	£1.00
8	Assd. di switches	£1.00
20	Miniature slide switches sp/co	£1.00
10	Standard slide switches opt/dl	£1.00
100	Assd. beads (ceramic, teflon, fish spine)	£1.00
80	Assd. small stand offs, lthroughs etc	£1.00
30	Assd. di sockets up to 40 way	£1.00
10	TV coax plugs, plastic	£1.00
20	Small spring loaded terminals	£1.00
40	metres very thin connecting wire, red	£1.00
20	1in. glass reed switches	£1.00
20	Magnetic ear pins with lead and plug	£1.00
100	Any one value 1/4W 5% of resistors range 1R to 10M	£0.45
10	7812 Voltage Regulators	£1.00

Prices include VAT. Postage £1.45. 31p stamp for Lists
288 Abbeydale Road, Sheffield S7 1FL
Phone (0114) 2552886 Fax (0114) 2500689

E-mail sales@bardwells.co.uk
Web site: <http://www.bardwells.co.uk>



DIGITAL TEST METER

Ideal for TEACH-IN 2000

Built-in transistor test socket
and diode test position.
DC volts 200mV to 1000V.
AC volts 200V to 750V.
DC current 200mA to 10A.
Resistance 200 ohms to
2000K ohms.

Special offer to EPE readers
£5.99 incl. VAT

VARIABLE VOLTAGE TRANSFORMERS

INPUT 220V/240V AC 50/60Hz OUTPUT 0V-260V PANEL MOUNTING	Price	P&P
0.5KVA 2.5 amp max	£33.00	£6.00 (£45.84 inc VAT)
1KVA 5 amp max	£45.25	£8.00 (£53.25 inc VAT)
SHROUDED		
0.5KVA 2.5 amp max	£34.00	£9.00 (£43.00 inc VAT)
1KVA 5 amp max	£46.25	£7.00 (£53.25 inc VAT)
2KVA 10 amp max	£65.00	£8.50 (£73.50 inc VAT)
3KVA 15 amp max	£86.50	£9.50 (£96.00 inc VAT)
5KVA 25 amp max	£150.00 (+ Carriage & VAT)	

Buy direct from the Importers. Keenest prices in the country.

500VA ISOLATION TRANSFORMER

Input lead 240V AC. Output via 3-pin 13A socket. 240V AC continuously rated, mounted in fibreglass case with handle. Internally fused. Price £36.00 carriage paid + VAT (£41.13)

TOROIDAL L.T. TRANSFORMER

Primary 0-240V AC. Secondary 0-30V + 0-30V 600VA. Fusing bolt supplied. Price £25.00 carriage paid + VAT (£29.38)

COMPREHENSIVE RANGE OF TRANSFORMERS - LT- ISOLATION & AUTO

110V-240V Auto transfer either cased with American socket and mains lead or open frame type. Available for immediate delivery.

ULTRA VIOLET BLACK LIGHT BLUE FLUORESCENT TUBES

4ft. 40 watt £14.00 (callers only)	(£16.45 inc VAT)
2ft. 20 watt £9.00 (callers only)	(£10.58 inc VAT)
12in. 8 watt £4.80 + 75p p&p	(£5.52 inc VAT)
9in. 6 watt £3.96 + 50p p&p	(£5.24 inc VAT)
6in. 4 watt £3.96 + 50p p&p	(£5.24 inc VAT)

230V AC BALLAST KIT

For either 6in, 9in or 12in tubes £8.05 + £1.40 p&p (£9.75 inc VAT)
The above Tubes are 3500/4000 angst. (350-400nm) ideal for detecting security markings, effects lighting & Chemical applications.
Other Wavelengths of UV TUBE available for Germicidal & Photo Sensative applications. Please telephone your enquiries.

400 WATT BLACK LIGHT BLUE UV LAMP

GES Mercury Vapour lamp suitable for use with a 400W P.F. Ballast. Only £39.95 incl. p&p & VAT



5 KVA ISOLATION TRANSFORMER

As New. Ex-Equipment, fully shrouded, Line Noise Suppression, Ultra Isolation Transformer with terminal covers and knock-out cable entries. Primary 120V/240V. Secondary 120V/240V, 50/60Hz, 0.005pF Capacitance. Size, L 37cm x W 19cm x H 16cm, Weight 42 kilos. Price £120 + VAT. Ex-warehouse. Carriage on request.

24V DC SIEMENS CONTACTOR

Type 3TH9022-0B 2 x NO and 2 x NC 230V AC 10A. Contacts. Screw or Din Rail fixing. Size H 120mm x W 45mm x D 75mm. Brand New Price £7.63 incl. p&p and VAT.

240V AC WESTOOL SOLENOIDS

Model TT2 Max. stroke 16mm, 5lb. pull. Base mounting. Rating 1. Model TT6 Max. stroke 25mm, 15lb. pull. Base mounting. Rating 1. Series 400 Max. stroke 28mm, 15lb. pull. Front mounting. Rating 2. Prices inc. p&p & VAT: TT2 £5.88, TT6 £8.81, Series 400 £8.64.

AXIAL COOLING FAN

230V AC 120mm square x 38mm 3 blade 10 watt Low Noise fan. Price £7.29 incl. p&p and VAT. Other voltages and sizes available from stock. Please telephone your enquiries.

INSTRUMENT CASE

Brand new. Manufactured by Imhof. L 31cm x H 18cm x D 15cm Deep. Removable front and rear panel for easy assembly of your components. Grey textured finish, complete with case feet. Price £16.45 incl. p&p and VAT. 2 off £28.20 inclusive.

DIECAST ALUMINIUM BOX

with internal PCB guides. Internal size 265mm x 165mm x 50mm deep. Price £9.93 incl. p&p & VAT. 2 off £17.80 incl.

230V AC SYNCHRONOUS GEARED MOTORS

Brand new Ovoid Gearbox Crouzet type motors. H 65mm x W 55mm x D 35mm, 4mm dia. shaft x 10mm long. 6 RPM anti cw. £9.99 incl. p&p & VAT. 20 RPM anti cw. Depth 40mm. £11.16 incl. p&p & VAT.

16 RPM REVERSIBLE Crouzet 220V/230V

50Hz geared motor with ovoid geared box. 4mm dia. shaft. New manuf. surplus. Sold complete with reversing capacitor, connecting block and circ. Overall size: h 68mm x w 52mm x 43mm deep
PRICE incl. P&P & VAT £9.99

EPROM ERASURE KIT

Build your own EPROM ERASURE for a fraction of the price of a made-up unit. Kit of parts less case includes 12in. 8 watt 2537, Angst Tube Ballast unit, pair of bi-pin leads, neon indicator, on/off switch, safety microswitch and circuit £15.00 + £2.00 p&p. (£19.98 inc VAT)

WASHING MACHINE WATER PUMP

Brand new 240V AC fan cooled. Can be used for a variety of purposes. Inlet 1/2in., outlet 1in. dia. Price includes p&p & VAT. £11.20 each or 2 for £20.50 inclusive.

Millions of quality components at lowest ever prices!

Plus anything from bankruptcy - theft recovery

- frustrated orders - over productions etc.

Send 50p stamped self-addressed label or envelope for clearance lists.

Brian J Reed

6 Queensmead Avenue, East Ewell, Epsom, Surrey KT17 3EQ

Tel: 07775 945386 or 0208 393 9055

Mail Order UK only.

Listings are updated and only 40 are sent out every 2 weeks. This normally ensures that orders can be fulfilled where only a few thousands of an item is available. (Payment is returned if sold out. I do not deal in credit notes).

ADVERTISERS INDEX

A.L. ELECTRONICS	479
A.S.A.	479
N. R. BARDWELL	479
B.K. ELECTRONICS	Cover (iii)
BRIAN J. REED	480
BULL ELECTRICAL	Cover (ii)
CHEVET SUPPLIES	479
CRICKLEWOOD ELECTRONICS	438
CROWNHILL ASSOCIATES	439
DAVID JOHNS	404
DISPLAY ELECTRONICS	402
EPT EDUCATIONAL SOFTWARE	Cover (iv)
ESR ELECTRONIC COMPONENTS	410
FOREST ELECTRONIC DEVELOPMENTS	448
ICS	479
JPG ELECTRONICS	438
LABCENTER ELECTRONICS	417
MAGENTA ELECTRONICS	408/409/421
MAPLIN ELECTRONICS	427
MICROCHIP	451
MILFORD INSTRUMENTS	429
NATIONAL COLLEGE OF TECHNOLOGY	404
PEAK ELECTRONIC DESIGN	454
PICO TECHNOLOGY	407
QUASAR ELECTRONICS	418
SERVICE TRADING CO	480
SHERWOOD ELECTRONICS	480
SQUIRES	404
STEWART OF READING	421
SUMA DESIGNS	405
TELNET	406
VERONICA KITS	479

ADVERTISEMENT MANAGER: PETER J. MEW

ADVERTISEMENT OFFICES:

EVERYDAY PRACTICAL ELECTRONICS, ADVERTISEMENTS,

MILL LODGE, MILL LANE, THORPE-LE-SOKEN,

ESSEX CO16 0ED.

Phone/Fax: (01255) 861161

For Editorial address and phone numbers see page 411

SERVICE TRADING CO

57 BRIDGMAN ROAD, CHISWICK, LONDON W4 5BB

Tel: 0181-995 1560

FAX: 0181-995 0549



Open Monday/Friday

Ample Parking Space

SHERWOOD ELECTRONICS

FREE COMPONENTS

Buy 10 x £1 Special Packs and choose another one FREE

SP1 15 x 5mm Red LEDs	SP131 2 x TL071 Op.Amps
SP2 12 x 5mm Green LEDs	SP133 20 x 1N4004 diodes
SP3 12 x 5mm Yellow LEDs	SP134 15 x 1N4007 diodes
SP6 15 x 3mm Red LEDs	SP135 6 x Min. slide switches
SP7 12 x 3mm Green LEDs	SP136 3 x BFY50 transistors
SP10 100 x 1N4148 diodes	SP137 4 x W005 1.5A bridge rectifiers
SP11 30 x 1N4001 diodes	SP138 20 x 2/2/63V radial elect. caps.
SP12 30 x 1N4002 diodes	SP140 3 x W04 1.5A bridge rectifiers
SP18 20 x BC182 transistors	SP142 2 x CMOS 4017
SP20 20 x BC184 transistors	SP143 5 Pairs min. crocodile clips (Red & Black)
SP21 20 x BC212 transistors	SP145 6 x ZTX300 transistors
SP23 20 x BC549 transistors	SP146 10 x 2N3704 transistors
SP24 4 x CMOS 4001	SP147 5 x Stripboard 9 strips x 25 holes
SP25 4 x 555 timers	SP151 4 x 8mm Red LEDs
SP26 4 x 741 Op.Amps	SP152 4 x 8mm Green LEDs
SP28 4 x CMOS 4011	SP153 4 x 8mm Yellow LEDs
SP29 3 x CMOS 4013	SP154 15 x BC548 transistors
SP31 4 x CMOS 4071	SP156 3 x Stripboard, 14 strips x 27 holes
SP34 20 x 1N914 diodes	SP160 10 x 2N3904 transistors
SP36 25 x 10/25V radial elect. caps.	SP161 10 x 2N3906 transistors
SP37 15 x 100/35V radial elect. caps.	SP165 2 x LF351 Op.Amps
SP39 10 x 470/16V radial elect. caps.	SP167 6 x BC107 transistors
SP40 15 x BC237 transistors	SP168 6 x BC108 transistors
SP41 20 x Mixed transistors	SP175 20 x 1/63V radial elect. caps.
SP42 200 x Mixed 0.25W C.F. resistors	SP177 10 x 1A 20mm quick blow fuses
SP47 5 x Min. PB switches	SP182 20 x 4.7/63V radial elect. caps.
SP102 20 x 8-pin DIL sockets	SP183 20 x BC547 transistors
SP103 15 x 14-pin DIL sockets	SP187 15 x BC239 transistors
SP104 15 x 16-pin DIL sockets	SP191 3 x CMOS 4023
SP105 4 x 74LS00	SP192 3 x CMOS 4066
SP109 15 x BC557 transistors	SP193 20 x BC213 transistors
SP112 4 x CMOS 4093	SP194 8 x OA90 diodes
SP114 5 x ZTX500 transistors	SP195 3 x 10mm Yellow LEDs
SP115 3 x 10mm Red LEDs	SP197 6 x 20 pin DIL sockets
SP116 3 x 10mm Green LEDs	SP198 5 x 24 pin DIL sockets
SP118 2 x CMOS 4047	
SP120 3 x 74LS93	
SP124 20 x Assorted ceramic disc caps	
SP130 100 x Mixed 0.5W C.F. resistors	

RESISTOR PACKS - C.Film

RP3 5 each value - total 365 0.25W	£2.85
RP7 10 each value - total 730 0.25W	£4.10
RP10 1000 popular values 0.25W	£5.85
RP4 5 each value-total 365 0.5W	£3.80
RP8 10 each value-total 730 0.5W	£6.45
RP11 1000 popular values 0.5W	£8.15

2000 Catalogue now available £1

inc. P&P or FREE with first order.

P&P £1.25 per order. NO VAT

Orders to:

Sherwood Electronics,
7 Willamson St., Mansfield,
Notts. NG19 6TD.

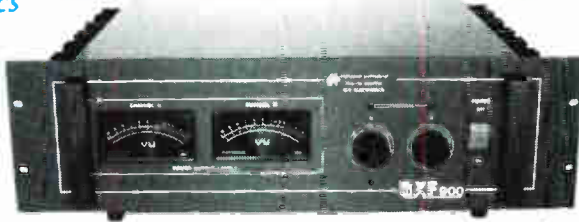


POWER AMPLIFIER MODULES-LOUDSPEAKERS-MIXERS 19 INCH STEREO AMPLIFIERS-ACTIVE CROSS/OVERS.

★PRICES INCLUDE V.A.T.★PROMPT DELIVERIES
★LARGE [A4] S.A.E. 60p STAMPED FOR CATALOGUE

OMP MOS-FET POWER AMPLIFIERS HIGH POWER, TWO CHANNEL 19 INCH RACK

1000's
SOLD
TO PRO
USERS



THE RENOWNED MXF SERIES OF POWER AMPLIFIERS

FOUR MODELS:- MXF200 (100W + 100W) MXF400 (200W + 200W)
MXF600 (300W + 300W) MXF900 (450W + 450W)

ALL POWER RATINGS ARE R.M.S. INTO 4 OHMS, WITH BOTH CHANNELS DRIVEN
FEATURES: ★ Independent power supplies with two toroidal transformers ★ Twin I.E.D. VU Meters
★ Level controls ★ Illuminated on/off switch ★ Jack/XLR inputs ★ Speaker outputs ★ Standard 775mV
inputs ★ Open and short circuit proof ★ Latest Mos-Fets for stress free power delivery into virtually any
load ★ High slew rate ★ Very low distortion ★ Aluminium cases ★ MXF600 & MXF900 fan cooled with D.C.
loudspeaker and thermal protection

USED THE WORLD OVER IN CLUBS, PUBS, CINEMAS, DISCOS ETC

SIZES:-
MXF200 W19" D11" H3 1/2" (2U)
MXF400 W19" D12" H5 1/2" (3U)
MXF600 W19" D13" H5 1/2" (3U)
MXF900 W19" D14 1/2" H5 1/2" (3U)

PRICES:- MXF200 £175.00 MXF400 £233.85
MXF600 £329.00 MXF900 £449.15

SPECIALIST CARRIER DEL. £12.50 EACH

FLIGHTCASED LOUDSPEAKERS

A new range of quality loudspeakers, designed to take advantage of the latest loudspeaker technology and enclosure designs. All models utilize high quality studio

cast aluminium loudspeakers with factory fitted grilles, wide dispersion constant directivity horns, extruded aluminium corner protection and steel ball corners, complimented with heavy duty black covering. The enclosures are fitted as standard with top hats for optional loudspeaker stands. The FC15-300 incorporates a large 16 X 6 inch horn. All cabinets are fitted with the latest Speakon connectors for your convenience and safety. Five models to choose from.

WEDGE
MONITOR



PLEASE NOTE:- POWER RATINGS
QUOTED ARE IN WATTS R.M.S. FOR
EACH INDIVIDUAL CABINET.
ALL ENCLOSURES ARE 8 OHM.

15-15 inch speaker
12-12 inch speaker
ibl FC15 300 WATTS Freq Range 35Hz-20KHz, Sens 101dB, Size H695 W502 D415mm
PRICE:- £299.00 per pair
ibl FC12-300 WATTS Freq Range 45Hz-20KHz, Sens 96dB, Size H600 W405 D300mm
PRICE:- £249.00 per pair
ibl FC12 200 WATTS Freq Range 40Hz-20KHz, Sens 97dB, Size H600 W405 D300mm
PRICE:- £199.00 per pair
ibl FC12-100 WATTS Freq Range 45Hz-20KHz, Sens 100dB, Size H546 W380 D300mm
PRICE:- £179.00 per pair
ibl WM12 200 WATTS Freq Range 40Hz-20KHz, Sens 97dB, Size H418 W600 D385mm
PRICE:- £125.00 EACH

SPECIALIST CARRIER DEL:- £12.50 per pair, Wedge Monitor £7.00 each
Optional Metal Stands PRICE:- £49.00 per pair Delivery:- £6.00

OMP XO3-S STEREO 3-WAY ACTIVE CROSS-OVER SWITCHABLE 2-WAY



BASS MID TOP BASS/MID TOP BASS MID/TOP
CONFIGURED 3 WAY 2 WAY BASS/MID COMBINED 2 WAY MID/TOP COMBINED

FEATURES:

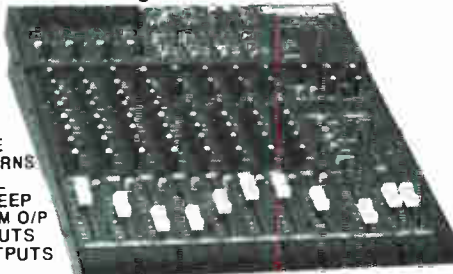
Advanced 3-Way Stereo Active Cross-Over (switchable two way, housed in a 19" x 1U case. Each channel has three level controls: Bass, Mid & Top. The removable front fascia allows access to the programmable DIL switches to adjust the cross-over frequency: Bass-Mid 125/250/500Hz, Mid-Top 1.8/3.5/7, all at 24dB per octave. The 2/3 way selector switches are also accessed by removing the front fascia. Each stereo channel can be configured separately. Bass Invert Switches are incorporated on each channel. Nominal 775mV input/output. Fully compatible with OMP Rack Amplifier and Modules

PRICE:- £117.44 + £5.00 P&P

SoundLAB SPM 12 AND 16 CH MIXERS

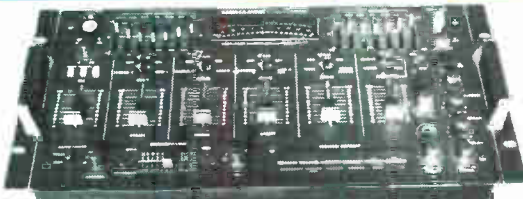
The 12 and 16 Channel SPM Series Of Studio Quality Mixers
Are Ideal For Fixed Installation Stage And Mobile Use.

- ★ 48v PHANTOM POWER
- ★ BUILT IN POWER SUPPLY
- ★ 230V AC/50Hz
- ★ PEAK INPUT LEVEL LEDS
- ★ PRE FADE LISTEN (PFL)
- ★ SUB MASTER OUTPUT
- ★ COMBINED XLR/1/4" JACK
- ★ 80mm FADERS ★ CH.MUTE
- ★ 2 STEREO AUX.SEND/RETURNS
- ★ CONSTANT PAN CONTROL
- ★ 3 BAND EQ WITH MID SWEEP
- ★ HEADPHONE/CONTROL ROOM O/P
- ★ CD/TAPE INPUTS & OUTPUTS
- ★ BALANCED INPUTS & OUTPUTS
- ★ BUS ASSIGN SWITCH
- ★ MONITOR SEND



PRICES:- SPM1202 4MONO MIC/LINE.4STEREO INPUTS £299.00 FREE
SPM1602 8MONO MIC/LINE.4STEREO INPUTS £399.00 UK P&P

STEREO DISCO MIXER MPX 7700



STEREO DISCO MIXER WITH:- ★2X7 GRAPHIC EQUALISERS ★2 MONO MIC INPUTS ★DJ MIC WITH FADER, TALKOVER AND VOICE CHANGER ★4 STEREO CHANNELS WITH INDIVIDUAL FADERS AND ASSIGNABLE CROSSFADE ★CHANNELS SWITCHABLE, TURNTABLE (MAG CARTRIDGE), CD, LINE, TAPE, ETC. ★ECHO WITH BALANCE, REPEAT AND DELAY ★HEADPHONE MONITOR WITH PREFADE LISTEN ★CHOICE OF 6 SOUND EFFECTS ★STEREO MONO SWITCH ★2 X LED VU METERS ★MASTER FADER ★OUTPUT 775mV
★SIZE: 482X240X115mm ★POWER: 230V AC 50/60Hz PRICE:- £169.00 + £5.00 P&P

ECHO & SOUND EFFECTS

- ★ 4 STEREO INPUT CHANNELS
- ★ 2 DJ MIC INPUT CHANNELS
- ★ 2X7 BAND GRAPHIC EQUALISERS
- ★ HEADPHONE MONITOR WITH PFL
- ★ ASSIGNABLE CROSSFADE
- ★ DIGITAL ECHO



THOUSANDS OF MODULES PURCHASED BY PROFESSIONAL USERS

OMP/MF 100 Mos-Fet Output power 110 watts R.M.S. into 4 ohms, frequency response 1Hz - 100KHz -3dB, Damping Factor >300, Slew Rate 45V/uS, T.H.D. typical 0.002%, Input Sensitivity 500mV, S.N.R. -110dB. Size 300 x 123 x 60mm.
PRICE:- £42.85 + £4.00 P&P

OMP/MF 200 Mos-Fet Output power 200 watts R.M.S. into 4 ohms, frequency response 1Hz - 100KHz -3dB, Damping Factor >300, Slew Rate 50V/uS, T.H.D. typical 0.001%, Input Sensitivity 500mV, S.N.R. -110dB. Size 300 x 155 x 100mm.
PRICE:- £66.35 + £4.00 P&P

OMP/MF 300 Mos-Fet Output power 300 watts R.M.S. into 4 ohms, frequency response 1Hz - 100KHz -3dB, Damping Factor >300, Slew Rate 60V/uS, T.H.D. typical 0.001%, Input Sensitivity 500mV, S.N.R. -110dB. Size 330 x 175 x 100mm.
PRICE:- £83.75 + £5.00 P&P

OMP/MF 450 Mos-Fet Output power 450 watts R.M.S. into 4 ohms, frequency response 1Hz - 100KHz -3dB, Damping Factor >300, Slew Rate 75V/uS, T.H.D. typical 0.001%, Input Sensitivity 500mV, S.N.R. -110dB, Fan Cooled, D.C. Loudspeaker Protection, 2 Second Anti-Thump Delay. Size 385 x 210 x 105mm.
PRICE:- £135.85 + £6.00 P&P

OMP/MF 1000 Mos-Fet Output power 1000 watts R.M.S. into 2 ohms, 725 watts R.M.S. into 4 ohms, frequency response 1Hz - 100KHz -3dB, Damping Factor >300, Slew Rate 75V/uS, T.H.D. typical 0.002%, Input Sensitivity 500mV, S.N.R. -110dB, Fan Cooled, D.C. Loudspeaker Protection, 2 Second Anti-Thump Delay. Size 422 x 300 x 125mm.
PRICE:- £261.00 + £12.00 P&P

NOTE: MOS-FET MODULES ARE AVAILABLE IN TWO VERSIONS STANDARD INPUT SENS 500mV, BAND WIDTH 100KHz, OR PEC (PROFESSIONAL EQUIPMENT COMPATIBLE) INPUT SENS 775mV, BAND WIDTH 50KHz. ORDER STANDARD OR PEC

RADIO MICROPHONE CYBERWAVE FMM 1000

- ★ IDEAL FOR:- LIVE BANDS, PUBLIC ADDRESS & KARAOKE ETC.
- ★ ON/STANDBY/OFF SWITCH MOUNTED ON MIC BARREL FOR EASE OF USE
- ★ 100 HOURS BATTERY RUNNING TIME. 1 PP3 (NOT SUPPLIED)
- ★ SINGLE CHANNEL RF MICROPHONE 174.23 OR 174.56MHz
- ★ MAINS ADAPTOR FOR RECEIVER SUPPLIED ★ FM LOCK INDICATOR & VOL CONTROL ON RECEIVER. PRICE:- £119.99 FREE UK P&P



B.K. ELECTRONICS

UNIT 1 COMET WAY, SOUTHEND-ON-SEA,
ESSEX, SS2 6TR.

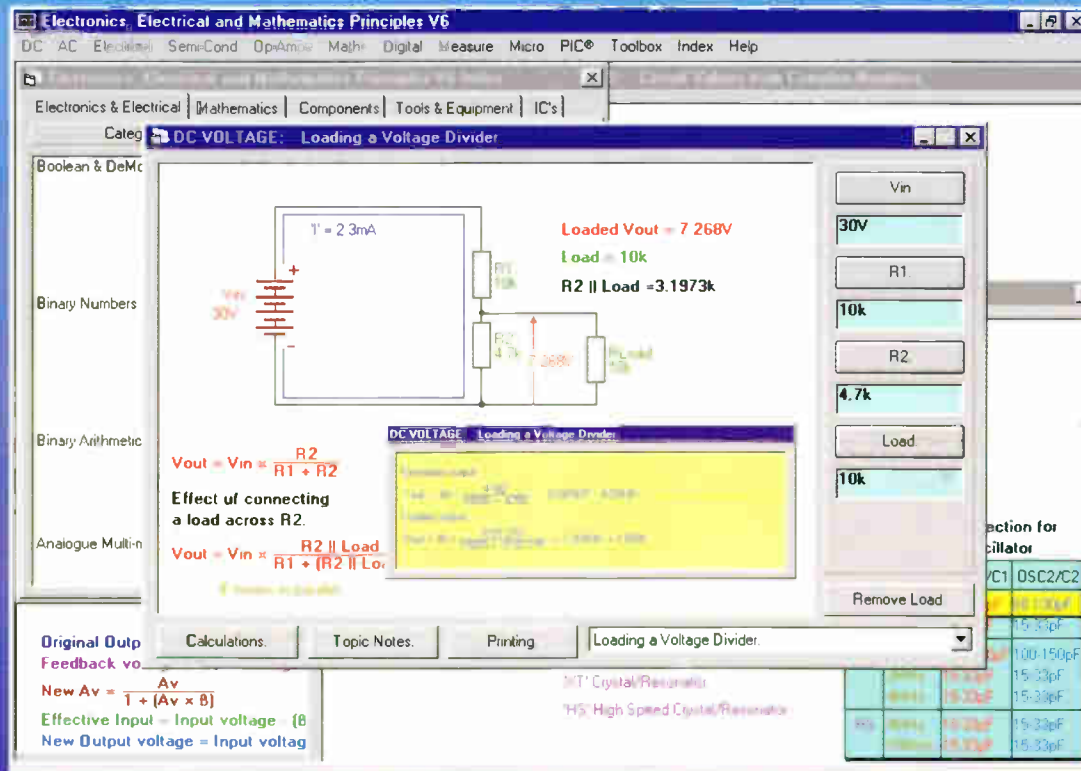
TEL.: 01702 527572 FAX.: 01702-420243

Web: <http://www.bkelec.com> E-mail: Sales@bkelec.com

REF 3

'Electronics, Electrical and Mathematics Principles

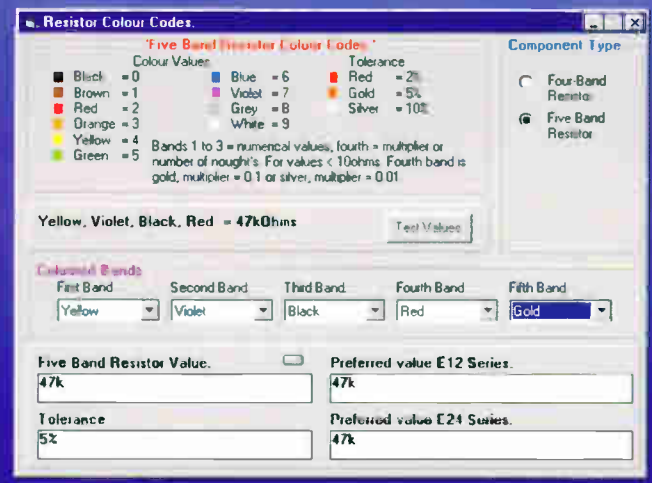
If you are looking for an easy and enjoyable way of studying or improving your knowledge of electronics and maths then this is the software for you.



Features.

- Analogue.
- Digital.
- Electrical.
- Microprocessors.
- PIC Microcontrollers.
- Mathematics.
- Electronics Toolbox.
- Components and Equipment Dictionary.
- Fully interactive graphics, graphs and calculations.
- Single page colour printing.
- Full Windows integration.
- Explanatory text.

Please telephone or visit our website for a list of over 900 main menu selections.



CD-ROM

Students and Hobbyists the complete package for **£49.95*** (\$82.17) normally **£99.95***

Colleges and universities including unlimited user site licence. **£299.95*** normally **£595.95***

* +VAT if applicable

Postage FREE

Hundreds of Electronics & Maths formulae with worked examples using your inputs. All calculations are shown. Default values on startup. Easy to use, no prior knowledge assumed. Comprehensive menu and indexing. Covers college courses from GCSE to university level.

eptsoft limited. Pump House, Lockram Lane, Witham, Essex. UK. CM8 2BJ.
 Tel: 01376 514008. Fax: 0870 0509660
 info@eptsoft.com www.eptsoft.com
 Switch, Delta, Visa and MasterCard payments accepted - please give card number and expiry date.

"Electronics Principles is a well thought out and comprehensive program that is also easy to install and stable in operation. It can be wholeheartedly recommended." Robert Penfold. Everyday Practical Electronics magazine.