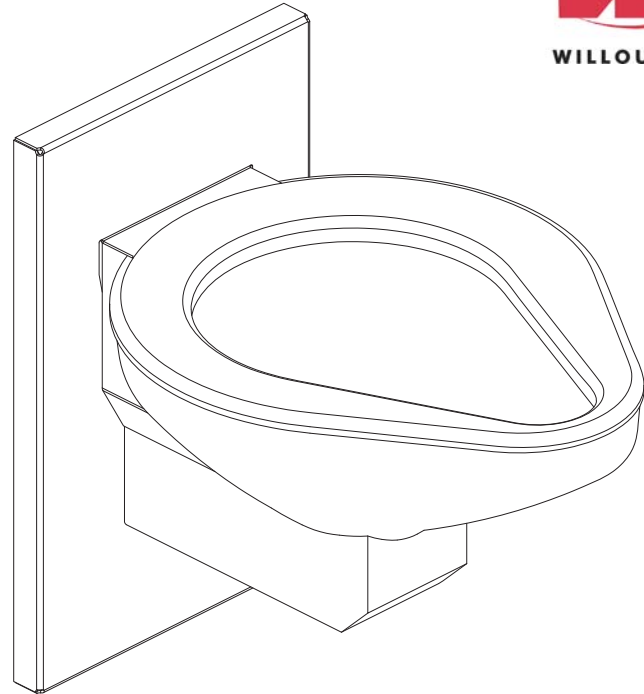


## ETW-1490-ES Stainless Steel Compact Rear Mounted Wall Mounted Blowout Series Toilet



 **IN COMPLIANCE  
WITH A.D.A. 2010**

\* IF MOUNTING WITH  
SEAT HEIGHT BETWEEN  
17"-19" A.F.F.



(1.6 GPF UNIT SHOWN)  
*(Unit may be shown with optional features)*

To specify fixture and accessories, use the Model Number and Options page.

Example: To specify a Stainless Steel, Compact Blowout Series Toilet with standard back spud, 1.6 GPF, toilet waste extension, 3" PVC waste connection, hydraulic flush valve, flush valve connection, toilet flush extension, high polish seat, wall sleeve, and toilet shipping cover

Use the following Willoughby Model Number:  
**ETW-1490-ES-BS-1.6-TWE-TWC3P-FV-TFE-HPS-WS-TSC**

### Recommended Specifications

Stainless Steel, Compact, Rear Mounted, Wall Mounted, Blowout Series Toilet shall be: Willoughby Model No. **ETW-1490-ES**  
(Select from model number and options list on next page)

Fixture shall be fabricated from 14 gauge, type 304 stainless steel. The construction shall be all welded, with exposed stainless surfaces polished to a #4 satin finish.

Standard toilet shall include:

- Elongated toilet bowl with contoured seat
- Integral crevice-free self-draining flushing rim with positive afterfill
- Fully enclosed 2-3/8" O.D. trap which shall maintain a minimum 2" seal and pass a 2" ball
- Bead blast finish bowl interior

Toilet shall be blowout type, requiring 35 PSI minimum flushing pressure. Model shall meet the requirements of ASME A112.19.3/CSA B45.4.

Fixture shall withstand loadings of 5,000 lbs. without permanent damage.

Anchoring shall be by standard 6-point system: threaded rods, nuts and washers shall be furnished for walls up to 8" thick.

Unit shall require chase area for installation and maintenance.

**On back to back fixture installations, do not use standard cross type waste fitting: cross flow may result due to blowout jet action. Use sanitary or offset type waste fittings.**

**Note:** Unit will pass a 2" ball.

**Note:** Fixture should only be used with a listed high-efficiency flushometer to ensure the complete system meets the requirements of WaterSense.



**WARNING:** Cancer and Reproductive Harm

- [www.P65Warnings.ca.gov](http://www.P65Warnings.ca.gov)

visit our website at [www.willoughby-ind.com](http://www.willoughby-ind.com)  
5105 West 78th Street • Indianapolis, IN. 46268  
(317) 875-0830 • Fax: (317) 875-0837 • (800) 428-4065



MADE IN THE U.S.A.

# MODEL NUMBER AND OPTIONS:

## 1.) Base Model Number:

- ETW-1490-ES      Stainless Steel, Compact, Rear Mounted, Wall Mounted, Blowout Series Toilet
  
- ETW-1490-ES-ADA      Stainless Steel, Compact, Rear Mounted, Wall Mounted, Blowout Series Toilet (Recommended with ADA grab bar applications)

## 2.) Inlet Location:

- BS      Back Spud

## 3.) Toilet Waste:

- TWE      Toilet Waste Extension (Standard)
- TW3      3" Clean-out for (TWE)
- TW5      4" Clean-out for (TWE)
- GWC      Gasketed Waste Connection
- PC3      Pinned Clean-out Plug PVC-3"
- PCB3      Pinned Clean-out Plug Brass-3"
- PC4      Pinned Clean-out Plug PVC-4"
- PCB4      Pinned Clean-out Plug Brass-4"
- COH4      4" Clean-out Hook, 4" PVC Plug
- COHB4      4" Clean-out Hook, 4" Brass Plug

## 4.) Waste Coupling for (TWE) Toilet Waste Extension:

- TWC3P      Connecting to 3" PVC
- TWC3C      Connecting to 3" Cast Iron
- TWC4P      Connecting to 4" PVC
- TWC4C      Connecting to 4" Cast Iron

## 5.) Flush Valve:

- FV      Hydraulic Flush Valve (Includes Actuator)
  - 1.28 GPF HET (4.8 Lpf)     1.6 GPF ULF (6.0 Lpf)
  - 3.5 GPF (13.2 Lpf)\*\*\*
- EFVP      Electronic Flush Valve w/ (PZPB) Ligature-resistant Piezo Push Button (Pick Control)\*\*
  - 1.28 GPF HET (4.8 Lpf)     1.6 GPF ULF (6.0 Lpf)
  - 3.5 GPF (13.2 Lpf)\*\*\*
- NFV      No Flush Valve (Provided by Others)

## 6.) Other Options:

- T4      Manual Reset Toilet Overflow Preventer, Requires: (FV) Hydraulic Flush Valve and Accessible Chase
- T4A      Auto Reset Toilet Overflow Preventer, Requires: (FV) Hydraulic Flush Valve and Accessible Chase
- ET4      Electronic Toilet Overflow Preventer\*, Requires (EFVP), Accessible Chase, & (WUCC-3010) or (WMSII) control
- TFE      Toilet Flush Extension (Standard)
- AP      Flush Valve Access Panel (Allows access to chase mounted flush valve from fixture side)
- DC      Decorator Color (Fixture exterior only - White)
- TF24H      Hard-wired Transformer, 110VAC to 24VAC\*
- TF24P      Plug-in Transformer, 110VAC to 24VAC\*
- HPS      High Polish Seat
- MT      Wall Template
- WS      Wall Sleeve (Requires Accessible Chase)
- TSC      Toilet Shipping Cover
- RTH1      Wall Mounted Recessed Tissue Holder (Rear Mounted, Requires Accessible Chase)
- RTH2      Wall Mounted Recessed Tissue Holder (Front Mounted, 4-1/2" Depth)
- Other \_\_\_\_\_
- Other \_\_\_\_\_

## 7.) Electronic Controls\* (Must Use Electronic Flush Valve):

- WUFC-4000     Pneumatic     WMSII
- WUCC-3010 (Select WUCC-3010 Control if pairing a Toilet with a Lavatory or if the Toilet is selected with an (ET4) overflow option)

\*(Req. 110V power through ground fault interrupter (GFCI) receptacle / breaker)

## \*\*LIGATURE-RESISTANT DISCLAIMER

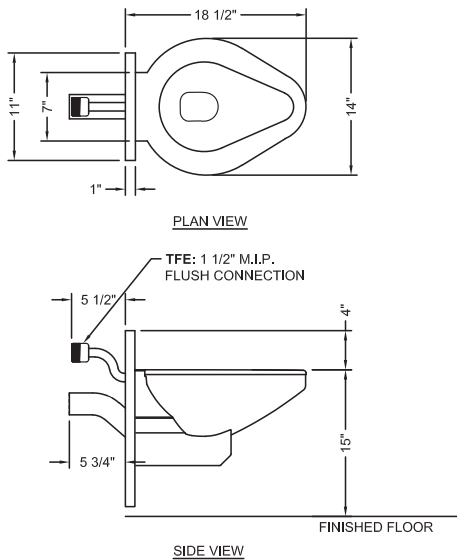
This product is designed to minimize ligature points. While every effort has been made to reduce the possibility of ligature points, this product does not eliminate all risks. Ligature-Resistant products by Willoughby Industries are to be used in conjunction with, not as a replacement for, trained professionals.

\*\*\*For replacement fixtures only

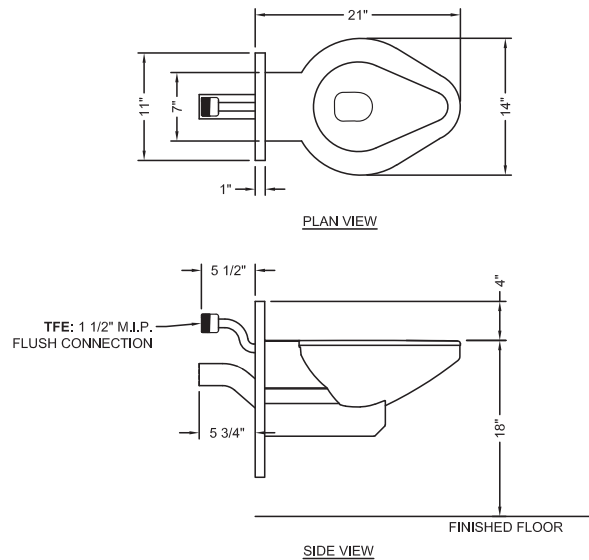
Approved For Manufacturing By: \_\_\_\_\_ Date: \_\_\_\_\_ Company: \_\_\_\_\_  
 Wall Thickness: \_\_\_\_\_ Wall Type: \_\_\_\_\_

VERIFY ALL DIMENSIONS WITH FACTORY PRIOR TO ROUGH-IN  
 WILLOUGHBY RESERVES THE RIGHT TO MAKE CHANGES IN DESIGN AND DIMENSIONS WITHOUT FORMAL NOTICE AND WITHOUT INCURRING OBLIGATION.

### ETW-1490-ES



### ETW-1490-ES-ADA



visit our website at [www.willoughby-ind.com](http://www.willoughby-ind.com)  
 5105 West 78th Street • Indianapolis, IN. 46268  
 (317) 875-0830 • Fax: (317) 875-0837 • (800) 428-4065



MADE IN THE U.S.A.