

REV.	DESCRIPTION	ECN	OWN	DATE	CKD
REVISIONS					

NOTICE & HEREBY GIVES THAT THIS DRAWING INCLUDES A CONFIDENTIAL PROPRIETARY DESIGN OR IS PART OF A CONFIDENTIAL PROPRIETARY DESIGN ORIGINATED BY OR BELONGS TO ONE OF OUR CUSTOMERS, AND ALL DESIGN, MANUFACTURING, REPRODUCTION, USE AND SALE RIGHTS REGARDING THE SAME ARE EXPRESSLY RESERVED. IT IS SUBMITTED UNDER A CONFIDENTIAL RELATIONSHIP FOR A SPECIFIC PURPOSE, AND THE RECEIPT BY ACCEPTING THIS DRAWING AGREES NOT TO REPRODUCE OR DISCLOSE ANY INFORMATION CONTAINED HEREIN TO ANY UNAUTHORIZED PERSON, OR TO INCORPORATE IN OTHER PRODUCTS, ANY SPECIAL FEATURES PERTAINING TO THIS DESIGN.

DO NOT SCALE DRAWING

TOLERANCES UNLESS NOTED:

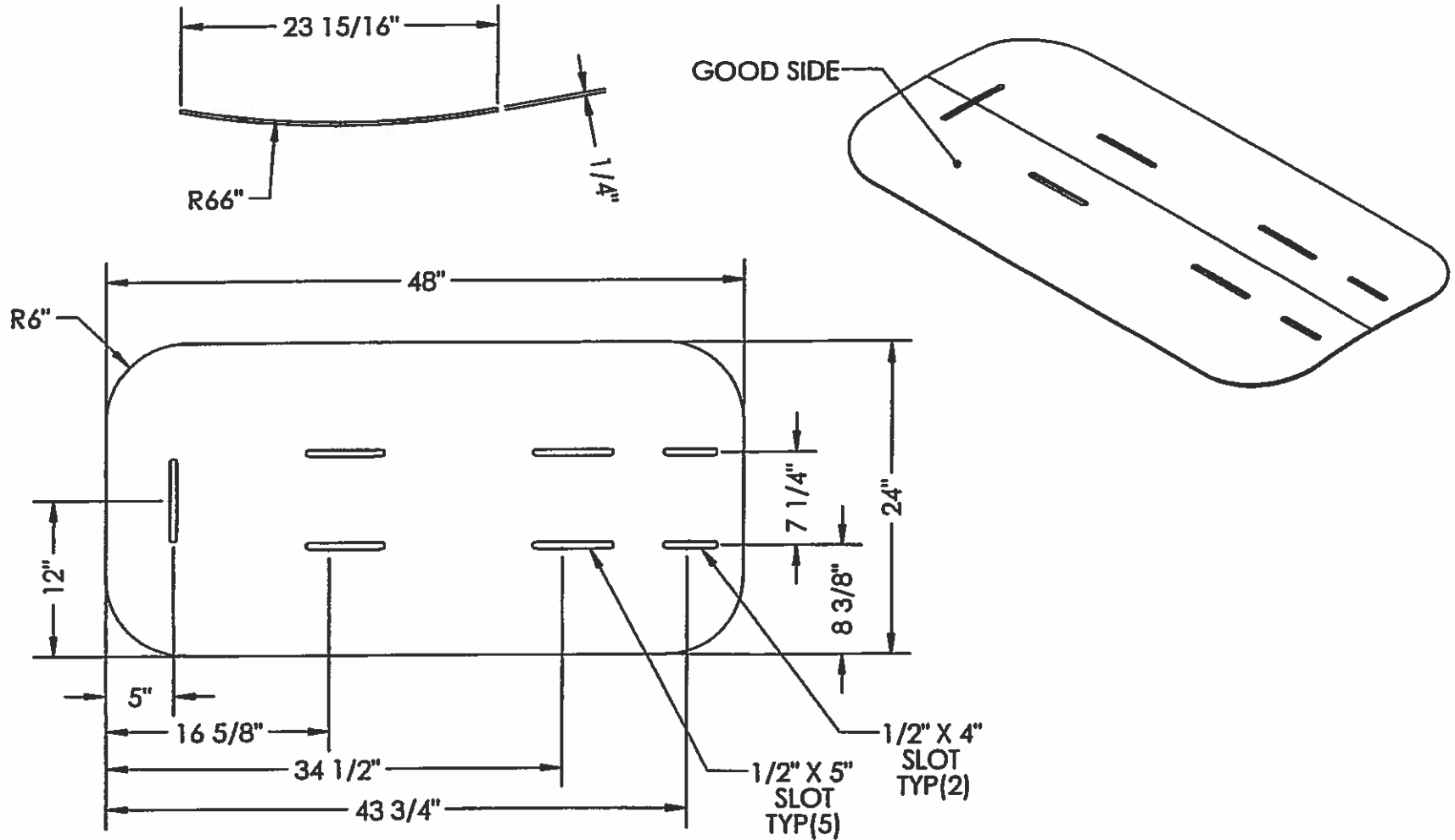
FRACTIONS	±1/16
ANGLES	±1°
DECIMALS	±0.010

FILE SKIRT, FRONT SUBFRAME
GENESIS HYBRID

MATERIAL 3/16" X 21 7/16" X 55 3/4", 5454-H32, BRITE ALUM SHEET

EAST!		EAST MANUFACTURING CORP. RANDOLPH, OHIO 44265	
DWG BY	MRH	SCALE	1:12
DATE	3/13/2013	WGHT.	15.92 LBS
CKD BY	ED C	SHT.	1 OF 1
REV.		SUPERSEDES	
			016-10083-01

Lee



			MRH	4/30/2014	MRH
--	--	--	-----	-----------	-----

REV	DESCRIPTION	ECN	DWN	DATE	CKD
-----	-------------	-----	-----	------	-----

REVISIONS

USER'S HEREBY CERTIFY THAT THE DRAWING SHOWS A CONFIDENTIAL PROPRIETARY DESIGN OR IS PART OF A CONFIDENTIAL PROPRIETARY DESIGN ORIGINATED BY GENESYS OR ONE OF OUR DESIGNERS, AND ALL DESIGN MANUFACTURING, REPRODUCTION, USE AND SALE RIGHTS REGARDING THE SAME ARE EXPRESSLY RESERVED. IF IS SHOWN UNDER A CONFIDENTIAL RELATIONSHIP FOR A SPECIFIC PURPOSE, AND THE RECEIVER BY ACCEPTING THE DRAWING AGREES NOT TO DISCLOSE ANY INFORMATION REGARDING IT TO ANY UNAUTHORIZED PERSON, OR TO INCORPORATE IT IN OTHER PROJECTS, ANY SPECIAL FEATURES PERTAIN TO THE DESIGN.



EAST MANUFACTURING CORP.
RANDOLPH, OHIO 44265

DO NOT SCALE DRAWING

TOLERANCES UNLESS NOTED:

FRACTIONS	±1/16
ANGLES	±1°
DECIMALS	±0.010

FRAME PAD 48" LONG, HYBRID SUBFRAME

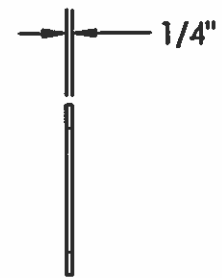
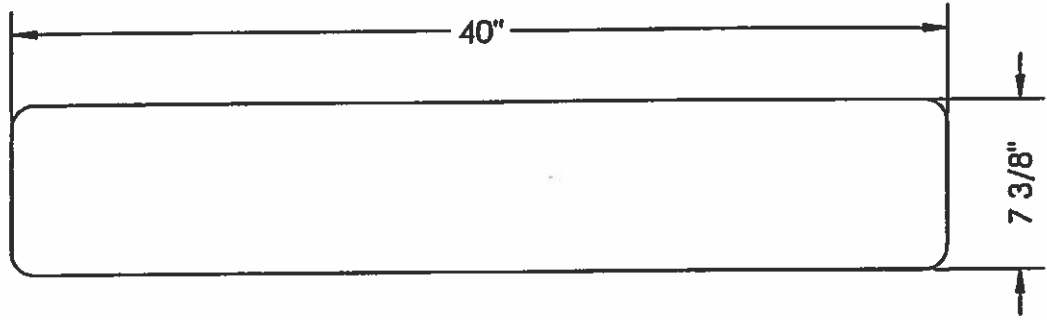
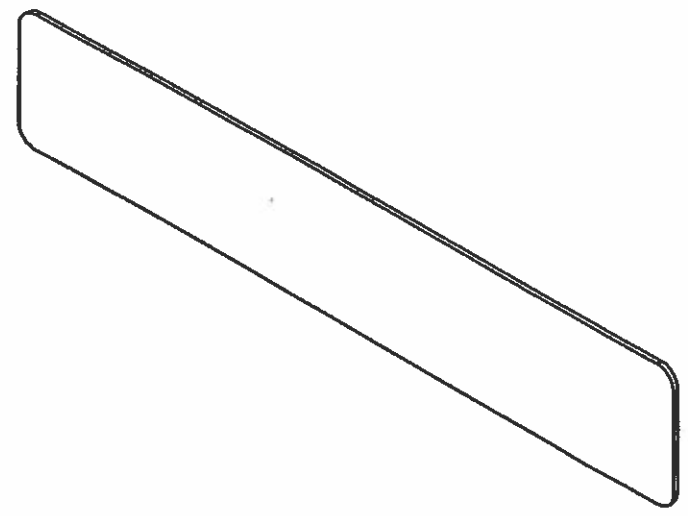
GENESIS HYBRID

MATERIAL 5454-H32, BRITE ALUM SHEET

DWN BY	MRH	SCALE	1:12	SER	A	SUPERSEDES
DATE	4/30/2014	WGHT.	26.82 LBS			
CKD BY	AMH	SHE.	1 OF 1	REV.	-	

RM-14004-00

2ca



			MRH	3/17/2014	MRH
--	--	--	-----	-----------	-----

REV	DESCRIPTION	ECH	DWN	DATE	CKD
-----	-------------	-----	-----	------	-----

REVISIONS
FORCE IS HEREBY GIVEN THAT THIS DRAWING IS A COPY OF A CONFIDENTIAL PROPRIETARY DESIGN OR IS PART OF A CONFIDENTIAL PROPRIETARY DESIGN DEVELOPED BY OURSELVES OR ONE OF OUR CUSTOMERS, AND ALL DESIGN, MANUFACTURING, REPRODUCTION USE AND SALE RIGHTS REGARDING THE SAME ARE EXPRESSLY RESERVED. IF IS SUBMITTED UNDER A CONFIDENTIAL RELATIONSHIP FOR A SPECIFIC PURPOSE, AND THE RECEIVER BY ACCEPTING THE DRAWING AGREES NOT TO REPRODUCE OR DISCLOSE ANY INFORMATION HEREIN TO ANY UNAUTHORIZED PERSON, OR TO INCORPORATE IN OTHER PROJECTS, ANY SPECIAL FEATURES PERTAINING TO THIS DESIGN.

DO NOT SCALE DRAWING
 TOLERANCES
 UNLESS NOTED:
 FRACTIONS ±1/16
 ANGLES ±1°
 DECIMALS ±0.010

TITLE
**PLATE, INNER SUBFRAME REINFORCEMENT
 GENESIS HYBRID**
 MATERIAL
 1/4" X 7 3/8" X 40", 5052-H32, ALUMINUM SHEET

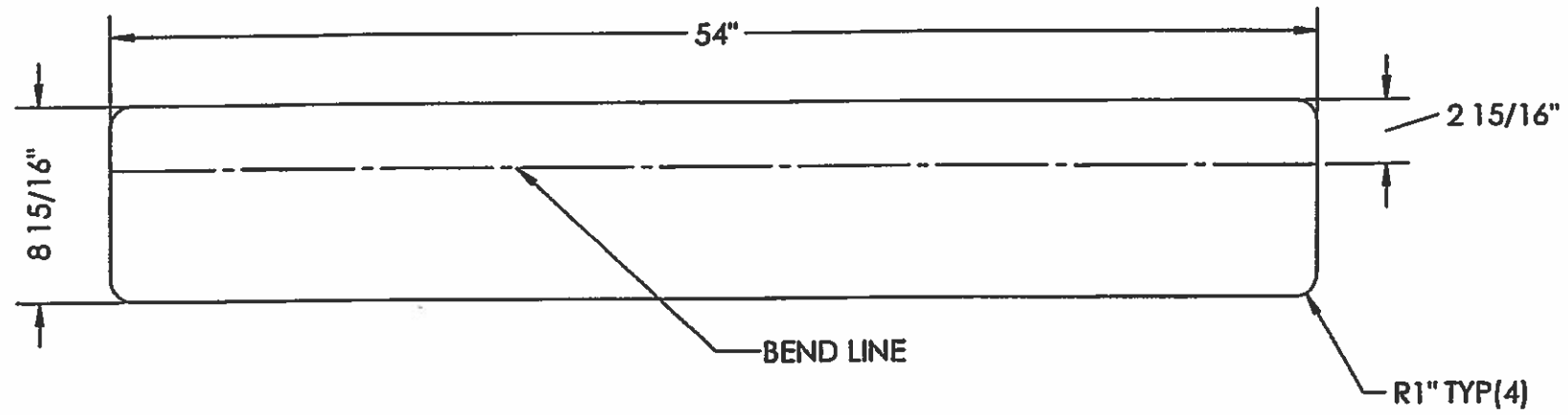
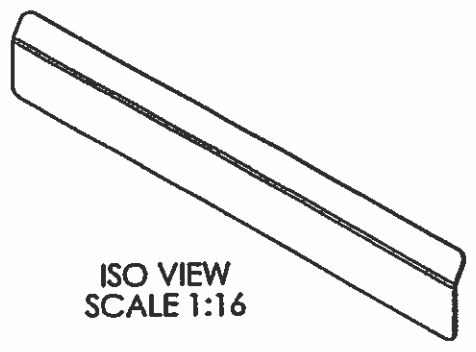
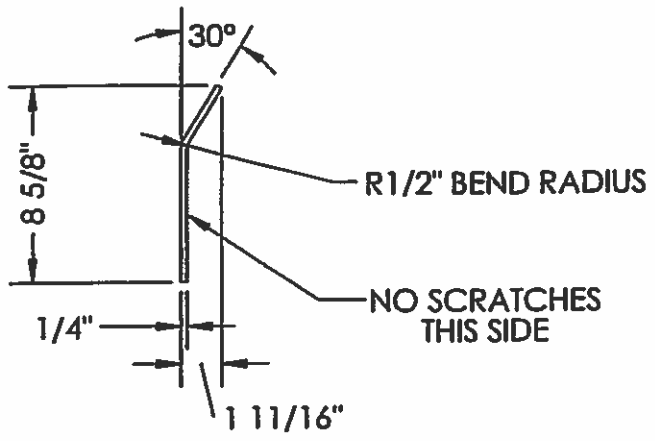


EAST MANUFACTURING CORP.
 RANDOLPH, OHIO 44265

DWN BY MRH	SCALE 1:8	SIZE A	SUPERSEDES
DATE 3/17/2014	WGHT. 7.17 LBS		
CKD BY MRH	SHT. 1 OF 1	REV. -	

RM-14003-001

2



			MRH	2/24/2015	MRH
REV	DESCRIPTION	ECH	OWN	DATE	CKD
REVISIONS					



EAST MANUFACTURING CORP.
RANDOLPH, OHIO 44265

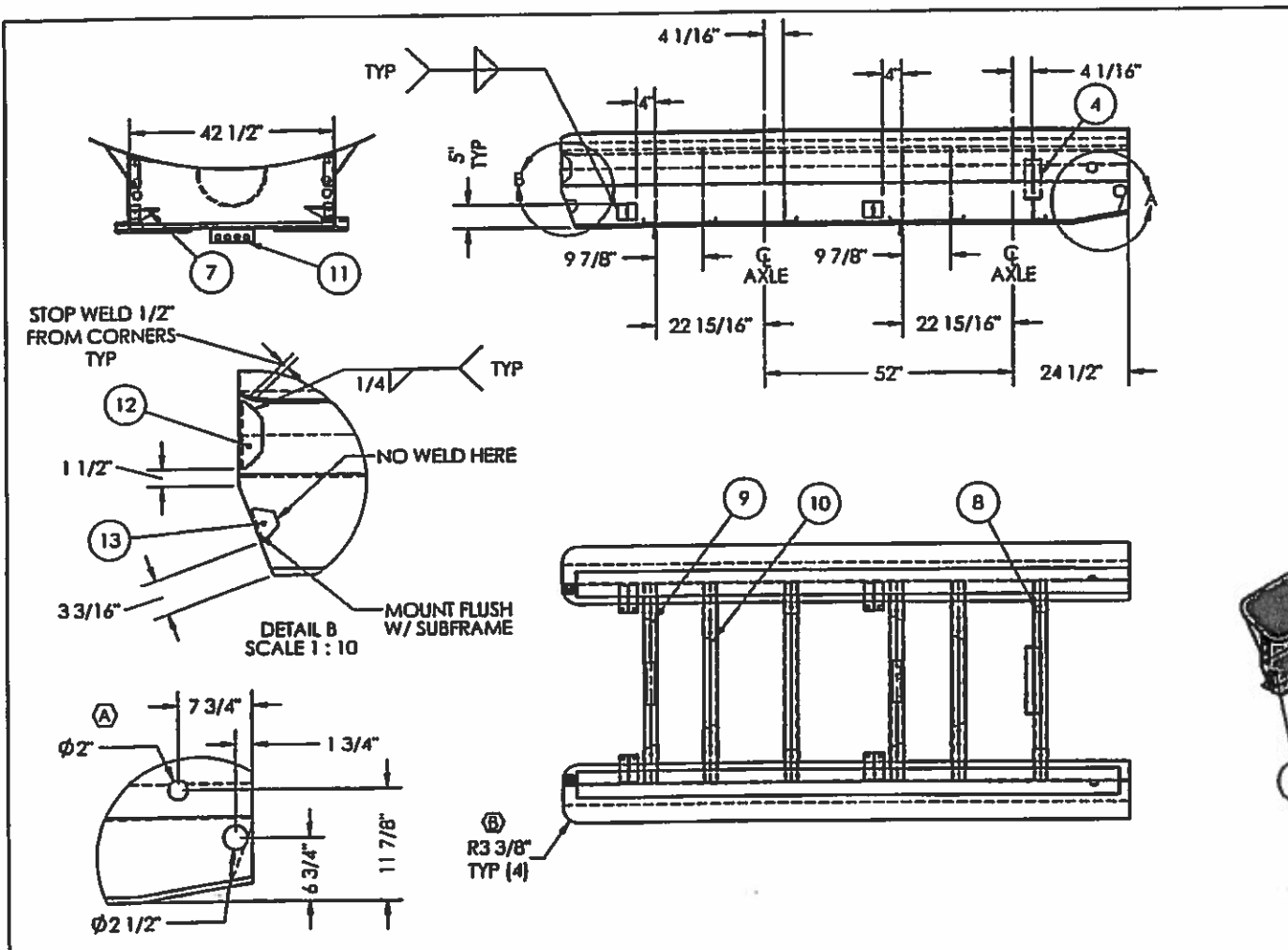
DO NOT SCALE DRAWING
TOLERANCES
UNLESS NOTED:

FRACTIONS	±1/16
ANGLES	±1°
DECIMALS	±0.010

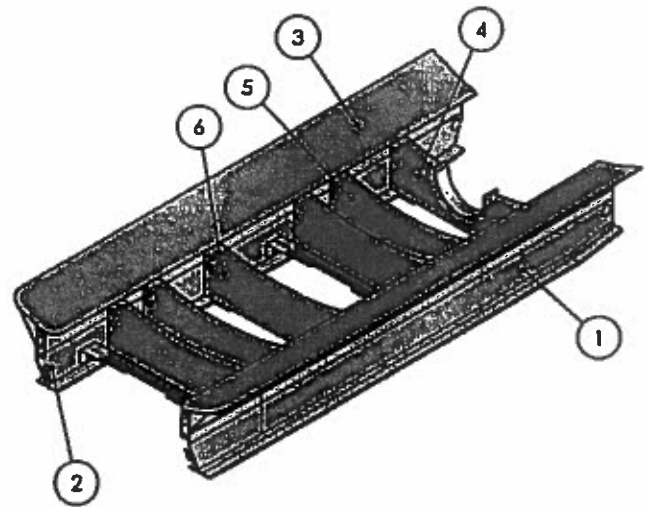
TITLE
**UPPER SUBFRAME PLATE
GENESIS HYBRID**

MATERIAL
5052H32 MILL ALUMINUM

OWN BY MRH	SCALE 1:8	SIZE A	SUPERSEDES
DATE 2/24/2015	WGHT. 11.60 LBS	RM-15002-000	
CKD BY AMH	SHT. 1 OF 1		



ITEM	QTY	PART NUMBER	DESCRIPTION
1	1	016-10051-00	DS BOTTOM TEE
2	1	016-10051-01	PS BOTTOM TEE
3	2	557-05335-00	119 1/2" TOP SUBFRAME EXTRUSION
4	1	016-20004-00	CROSSMEMBER, HEAVY NOTCHED
5	4	016-10024-00	CROSSMEMBER, STANDARD SUBFRAME
6	1	016-10025-00	CROSSMEMBER, HEAVY SUBFRAME
7	4	020-20003-00	AIR TANK BRACKET ASM
8	4	016-10002-00	SPACER, FRONT
9	4	016-10003-00	SPACER, REAR SUSPENSION
10	4	016-10004-00	SPACER, MIDDLE SUSPENSION
11	2	119-10072-00	ANGLE, MANIFOLD PLUMBING
12	2	016-10128-00	1/4" X 2" X 2" X 6" LEG
13	2	016-10128-01	1/4" X 2" X 2" X 3" LEG



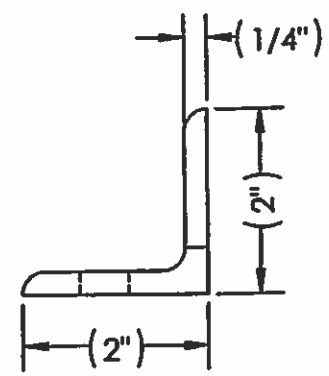
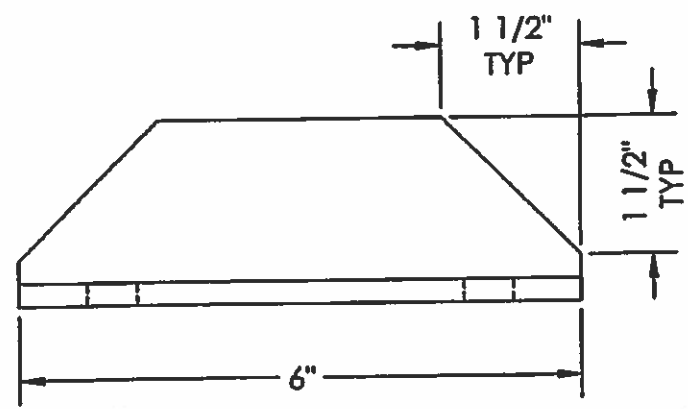
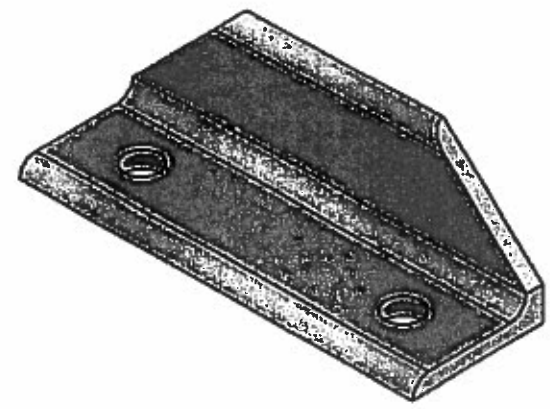
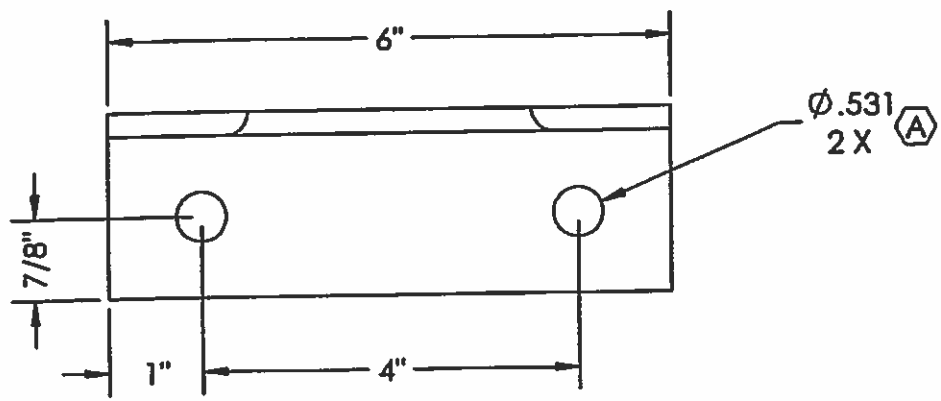
DETAIL A
SCALE 1:12

REV	DESCRIPTION	DATE	BY	CHKD
1	REMOVED TAPERED CHIT FROM THE OUTER EDGE OF THE BRAM. ADDED 3/8" RADIUS TO INTERSECTIONS. ADDED 1/4" RADIUS TO 45° HOLES.			

DO NOT SCALE DRAWING		SUBFRAME, 119 1/2" AAT25K TANDEM GENESIS HYBRID	
TOLERANCES UNLESS OTHERWISE SPECIFIED:		ASSEMBLY	
FINISH	PRECISION	STANDARD	ASSEMBLY
NOTED:			

EAST		EAST MANUFACTURING CORP. RANDOLPH, OHIO 44265	
DATE	REV	QTY	DESCRIPTION
9/8/2010	124	8	
REV	QTY	WEIGHT	
1 OF 1	8	441.61 LBS	
			016-40000-00

2013



REV.	DESCRIPTION	ECN	DWN	DATE	CKD
A	DIM .531 WAS .406	N/A	MRH	4/1/2013	MRH

REVISIONS

FORCE IS HEREBY GIVEN THAT THIS DRAWING SHOWS A CONFIDENTIAL PROPRIETARY DESIGN OR IS PART OF A CONFIDENTIAL PROPRIETARY DESIGN ORIGINATED BY OURSELVES OR ONE OF OUR CUSTOMERS, AND ALL DESIGN, MANUFACTURING, REPRODUCTION, USE AND SALE RIGHTS REGARDING THE SAME ARE EXPRESSLY RESERVED. IF IT IS SUBMITTED UNDER A CONFIDENTIAL RELATIONSHIP FOR A SPECIFIC PURPOSE, AND THE RECIPIENT BY ACCEPTING THE DRAWING AGREES NOT TO SUPPLY OR DISCLOSE ANY INFORMATION REGARDING IT TO ANY UNAUTHORIZED PERSON, OR TO INCORPORATE IN OTHER PROJECTS, ANY SPECIAL FEATURES PERTAINING TO THE DESIGN.



EAST MANUFACTURING CORP.
RANDOLPH, OHIO 44265

DO NOT SCALE DRAWING

TOLERANCES UNLESS NOTED:

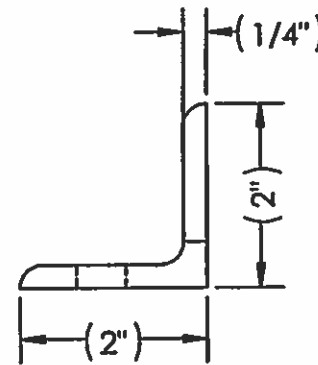
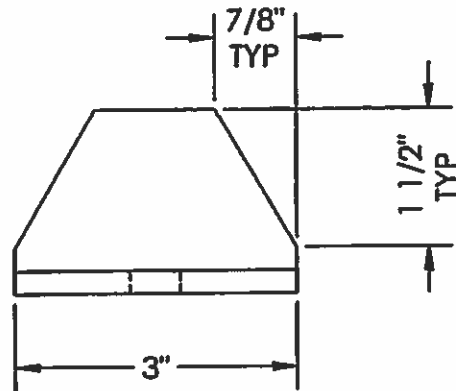
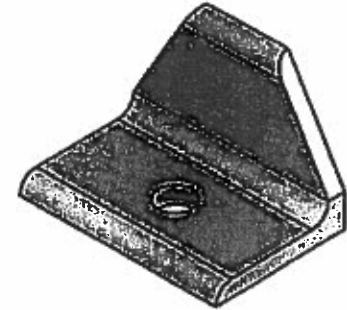
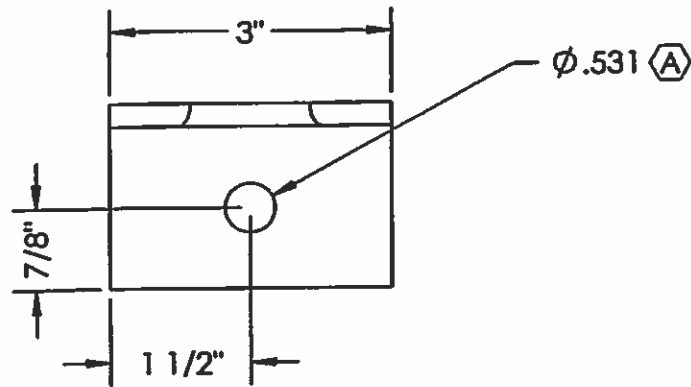
FRACTIONS	±1/16
ANGLES	±1°
DECIMALS	±0.010

FILE MOUNTING BRACKET ANGLE
FRONT COVER, SUB FRAME
GENESIS HYBRID

MATERIAL 6061 Alloy ANGLE X 6" LONG

DRW BY MRH	SCALE 1:2	SEE A	SUPERSEDES
DATE 3/13/2013	WGHT. 0.48 LBS	016-10128-00	
CKD BY ED C	SHE. 1 OF 1		

200



REV.	DESCRIPTION	ECH	DWN	DATE	CKD
A	DIM .531 WAS .408	N/A	MRH	4/1/2013	MRH

REVISIONS

NOTICE IS HEREBY GIVEN THAT THIS DRAWING, INCLUDING A CONFIDENTIAL PROPRIETARY DESIGN OR IS PART OF A CONFIDENTIAL PROPRIETARY DESIGN OR INTELLECTUAL PROPERTY OF ONE OF OUR CUSTOMERS, AND ALL DESIGN, MANUFACTURING, REPRODUCTION, USE AND SALE RIGHTS REGARDING THE SAME ARE EXPRESSLY RESERVED. IT IS LIMITED IN USE TO A CONFIDENTIAL RELATIONSHIP FOR A SPECIFIC PURPOSE, AND BE RECEIVED BY ACCEPTING THIS DRAWING. ACCEPTANCE DOES NOT WARRANT OR DISCLOSE ANY INFORMATION REGARDING IT TO ANY UNAUTHORIZED PERSON, OR TO INCORPORATE IN OTHER PRODUCTS, ANY SPECIAL FEATURES PECULIAR TO THIS DESIGN.

DO NOT SCALE DRAWING

TOLERANCES
UNLESS NOTED:
FRACTIONS ±1/16
ANGLES ±1°
DECIMALS ±0.010

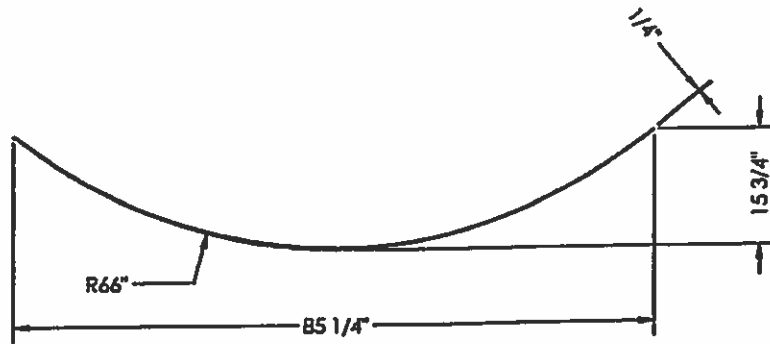
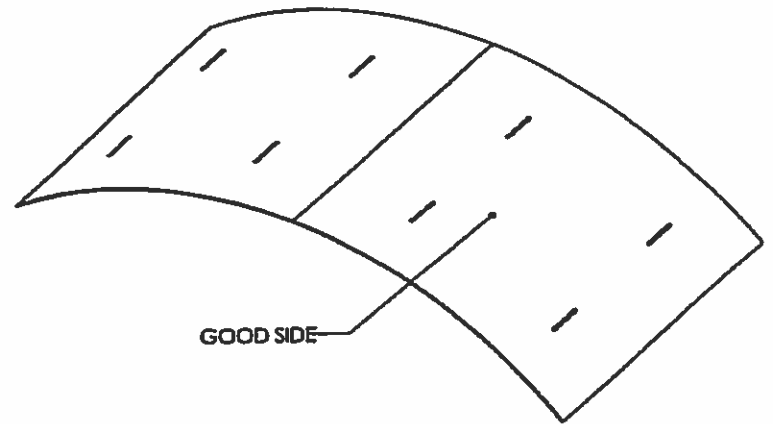
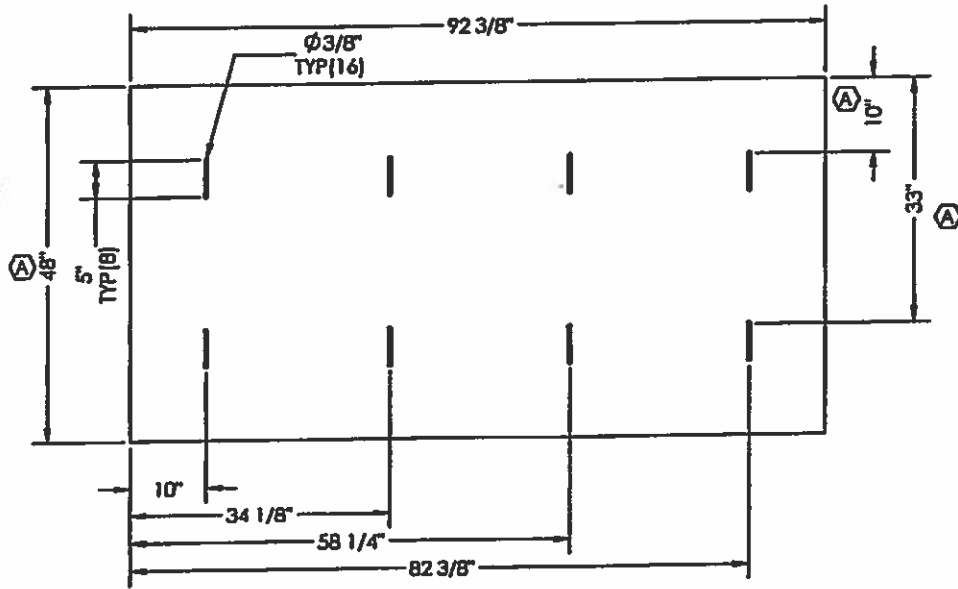
TITLE
MOUNTING BRACKET ANGLE
FRONT COVER, SUB FRAME
GENESIS HYBRID

MATERIAL
559-05022-01 X 3" ALUM ANGLE



EAST MANUFACTURING CORP.
RANDOLPH, OHIO 44265

DWN BY	SCALE	SIZ	SUPPERS
MRH	1:2	A	
DATE	WGHT.	016-10128-01	
3/13/2013	0.24 LBS		
CKD BY	SHT.	REV.	
EDC	1 OF 1	A	



REV	DESCRIPTION	DATE	BY	CHKD
A	CHG 48" TO 48" 1/2" FOR 48" 1/2"			

DO NOT SCALE DRAWING
 TOLERANCES
 UNLESS
 NOTED:

PLATE, FLOOR REINFORCEMENT
 GENESIS HYBRID
 1/4" X 48" X 92 3/8", 5454-H32, BRITE ALUM SHEET

EAST		EAST MANUFACTURING CORP. RANDOLPH, OHIO 44265	
DATE: 10/31/2013	REV: 1 OF 1	QTY: 107.00 LBS	DESCRIPTION: RM-13004-01
BY: MRH	APP: B	CHK: A	