

Amphenol® RF

INDUSTRY 4.0

SOLUTIONS GUIDE



Robust Solutions For An Industrialized World

TABLE OF CONTENTS

| | |
|--|----|
| About Amphenol RF | 3 |
| Industry 4.0 Overview | 4 |
| Ingress Protection (IP) Rating Overview | 5 |
| Application Matrix | 6 |
| Applications Overview | 7 |
| Engineering Capabilities | 9 |
| Product Reference Guides | 10 |
| AMC | 11 |
| AMMC | 13 |
| BNC | 15 |
| FAKRA | 18 |
| MCX | 19 |
| MMCX | 21 |
| N Type | 23 |
| SMA | 26 |
| SMB | 30 |
| TNC | 33 |
| Cable Assemblies | 36 |
| Adapters | 46 |

ABOUT AMPHENOL RF

Amphenol RF is the largest manufacturer of radio frequency connectors, coaxial adapters and RF cable assemblies in the world. With a global team of experienced engineers, Amphenol RF is able to offer the broadest portfolio of standard RF products on the market today. Our engineering capabilities extend to custom product development to meet the challenges of design-specific constraints.

Amphenol RF has a global footprint of operations in North America, Europe and Asia.

INDUSTRY 4.0



Often referred to as the “Fourth Industrial Revolution,” Industry 4.0 comprises a breadth of technologies that enable industrial and supply chain automation. Cloud computing, cyber-physical systems, and the Internet of Things can create a smart factory or optimize an industrial process. The benefits to end users include increased safety and efficiency, cost savings, streamlined processes, fault detection, predictive maintenance, and more.

SEALED SOLUTIONS

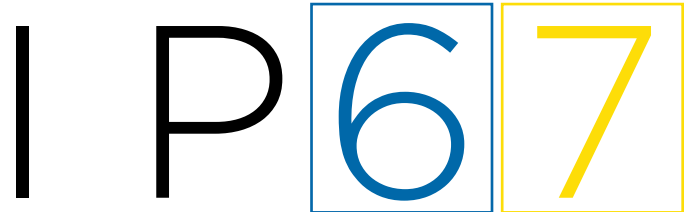
As many industrial settings are exposed to water and other materials, sealed electronics can be critical. IP-rated sealed connectors, cable assemblies, and adapters from Amphenol RF enable wireless and coaxial connectivity for mission-critical Industry 4.0 data transfer.

RUGGEDIZED SOLUTIONS

Industry 4.0 hardware must withstand harsh, corrosive, and otherwise challenging environments. Ruggedized RF connectors, cable assemblies, and adapters from Amphenol RF perform under conditions including rigorous vibration, harsh chemicals, extreme temperatures, and more.

INGRESS PROTECTION (IP) RATING OVERVIEW

Connectors may be susceptible to ingress of foreign materials such as moisture or dust, particularly in the unmated condition. Protection from this ingress is provided for connectors by their housing and the seal between the plug, jack, and cable or between a jack and a panel. The IP standard rating system defines the degree of protection provided. The standard IEC 60529 has specified the degree of protection and divided it into several levels, defined by the IP number, which has the letters IP followed by two digits. The first digit defines the protection against the ingress of dust particles, the second digit defines the protection against the ingress of water. The tables below show IP ratings for electrical connectors:



| 1 st Digit | Definition |
|-----------------------|---|
| 0 | No Protection against contact and ingress of objects. |
| 1 | Protected against any large surface of the body, such as the back of a hand. Protected against solid objects greater than 50mm in size. |
| 2 | Protected against access to hazardous parts by a finger or similar object. Protected against solid objects greater than 12.5mm in size. |
| 3 | Protected against access to hazardous parts with a tool or thick wire. Protected against solid objects greater than 2.5mm in size. |
| 4 | Protected against access to hazardous parts with a wire,screw,etc.Protected against solid objects greater than 1mm in size. |
| 5 | Protected against access to hazardous parts. Dust protected. |
| 6 | Protected against access to hazardous parts. Dust-tight. |

| 2 nd Digit | Definition |
|-----------------------|---|
| 0 | No Protection |
| 1 | Protected against water drops |
| 2 | Protected against water drops at a 15 degree e angle |
| 3 | Protected against water spray at 60 degree angle |
| 4 | Protected against water splashing from any angle |
| 5 | Protected against water jets from any angle |
| 6 | Protected against powerful water jets and heavy seas |
| 7 | Protected against the effects of temporary submersion in water. Test requires 30 minutes at 1 meter depth. |
| 8 | Protected against the effects of temporary submersion. Customer specification applies and specific testing may be required. |
| 9K | Protects against high pressures associated with steam cleaning. |

APPLICATION MATRIX

| | CYBER-PHYSICAL SYSTEMS | INDUSTRIAL INTERNET OF THINGS | MACHINE VISION | ADVANCED HUMAN-MACHINE INTERFACES | ROBOTICS AND DRONES | NETWORK CONNECTIVITY | REMOTE SCADA | MAX FREQUENCY | IMPEDANCE | COUPLING |
|----------------------------------|------------------------|-------------------------------|----------------|-----------------------------------|---------------------|----------------------|--------------|----------------------------|-------------|------------------------|
| AFI | | | | | | | | 6 GHz | 50 & 75 Ohm | Snap-On |
| AFI-Dart | | | | | | | | 18 GHz | 50 & 75 Ohm | Snap-On |
| AMC | • | • | • | • | • | • | • | 6 GHz | 50 Ohm | Snap-On |
| AMMC | • | • | • | • | • | • | • | 6 GHz | 50 Ohm | Snap-On |
| BNC | • | • | • | • | • | • | • | 11 GHz | 50 & 75 Ohm | Bayonet |
| FAKRA | • | • | • | • | • | • | • | 4 GHz | 50 Ohm | Snap-On |
| F Type | | | | | | | | 1 GHz | 75 Ohm | Threaded |
| HD-BNC | • | • | • | • | • | • | • | 18 GHz | 50 & 75 Ohm | Bayonet |
| HD-EFI | | | | | | | | 6 GHz | 50 Ohm | Snap-On |
| MCX | • | • | • | • | • | • | • | 6 GHz | 50 & 75 Ohm | Snap-On |
| Mini-SMB | | | | | | | | 2 GHz | 75 Ohm | Snap-On |
| Mini-UHF | | | | | | | | 2.5 GHz | 50 Ohm | Threaded |
| MMCX | • | • | • | • | • | • | • | 6 GHz | 50 Ohm | Snap-On |
| N Type | • | • | • | • | • | • | • | 11 GHz | 50 Ohm | Threaded |
| PSMP | | | | | | | | 10 GHz | 50 Ohm | Snap-On |
| QMA | • | • | • | • | • | • | • | 18 GHz | 50 Ohm | Push-Pull |
| QN | | | | | | | | 11 GHz | 50 Ohm | Push-Pull |
| RF Microswitch | • | • | • | • | • | • | • | 6 GHz | 50 Ohm | Snap-On |
| SMA | • | • | • | • | • | • | • | 26.5 GHz | 50 Ohm | Threaded |
| SMB | • | • | • | • | • | • | • | 4 GHz | 50 & 75 Ohm | Snap-On |
| SMC | | | | | | | | 10 GHz | 50 Ohm | Threaded |
| SMP | | | | | | | | 40 GHz | 50 Ohm | Snap-On |
| SMPM | | | | | | | | 65 GHz | 50 Ohm | Snap-On |
| SMZ | | | | | | | | 4 GHz | 75 Ohm | Snap-On |
| TNC | • | • | • | • | • | • | • | 11 GHz | 50 & 75 Ohm | Threaded |
| TRIAx | | | | | | | | 50 GHz | 75 Ohm | Threaded/ Bayonet |
| TWINAX | | | | | | | | 0.5 GHz | 78 & 95 Ohm | Threaded/ Bayonet |
| UHF | | | | | | | | 300 MHz | 50 Ohm | Threaded |
| 1.0/2.3 | | | | | | | | 10 GHz | 50 & 75 Ohm | Push-Pull |
| 2.2/5 | | | | | | | | 20 GHz | 50 Ohm | Threaded/ Push-Pull |
| 4.3/10 | | | | | | | | 6 GHz | 50 Ohm | ThreadedPush-Pull |
| 7/16 | | | | | | | | 7.5 GHz | 50 Ohm | Threaded |
| Cable Assemblies | • | • | • | • | • | • | • | VARIES BY SERIES INTERFACE | | |
| Adapters | • | • | • | • | • | • | • | VARIES BY SERIES INTERFACE | | |

CYBER-PHYSICAL SYSTEMS

Cyber-physical systems (CPS) are at the center of factory automation and other Industry 4.0 applications. CPS create a “digital twin” of physical systems, merging advanced computing with machinery to enable automation.



INDUSTRIAL INTERNET OF THINGS

Industrial assets can be monitored and managed through IoT or the “Internet of Things”: the connection of objects to the Internet. Performance metrics, fault detection, and decision making support are possible through sensors and cloud-based algorithms.



MACHINE VISION

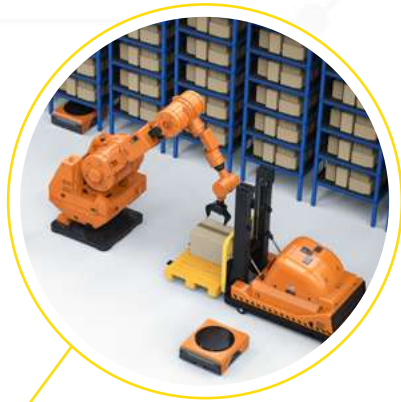
Machine vision is one of the most highly adopted Industry 4.0 technologies, providing immediate benefits. Cameras backed by artificial intelligence enable automated precision quality control, product identification, robot guidance, and more.



ADVANCED HUMAN-MACHINE INTERFACES

Advanced human-machine interfaces (HMI) facilitate complex interaction between humans and machines. Use cases of advanced HMI include remote guidance for workers through augmented reality, and monitoring worker safety with wearable devices.





ROBOTICS AND DRONES

Robots and drones automate tasks and increase safety across the entire supply chain. These may replace human labor on factory and warehouse floors, performing tasks including transportation, packaging, shipping, and inspections.

NETWORK CONNECTIVITY

Traditional wired networking protocols for mission-critical industrial data transfer can be supplemented with Industry 4.0 technology. Advanced wireless technologies that perform in harsh, high-noise environments provide network flexibility and can bridge disparate systems.



REMOTE SCADA

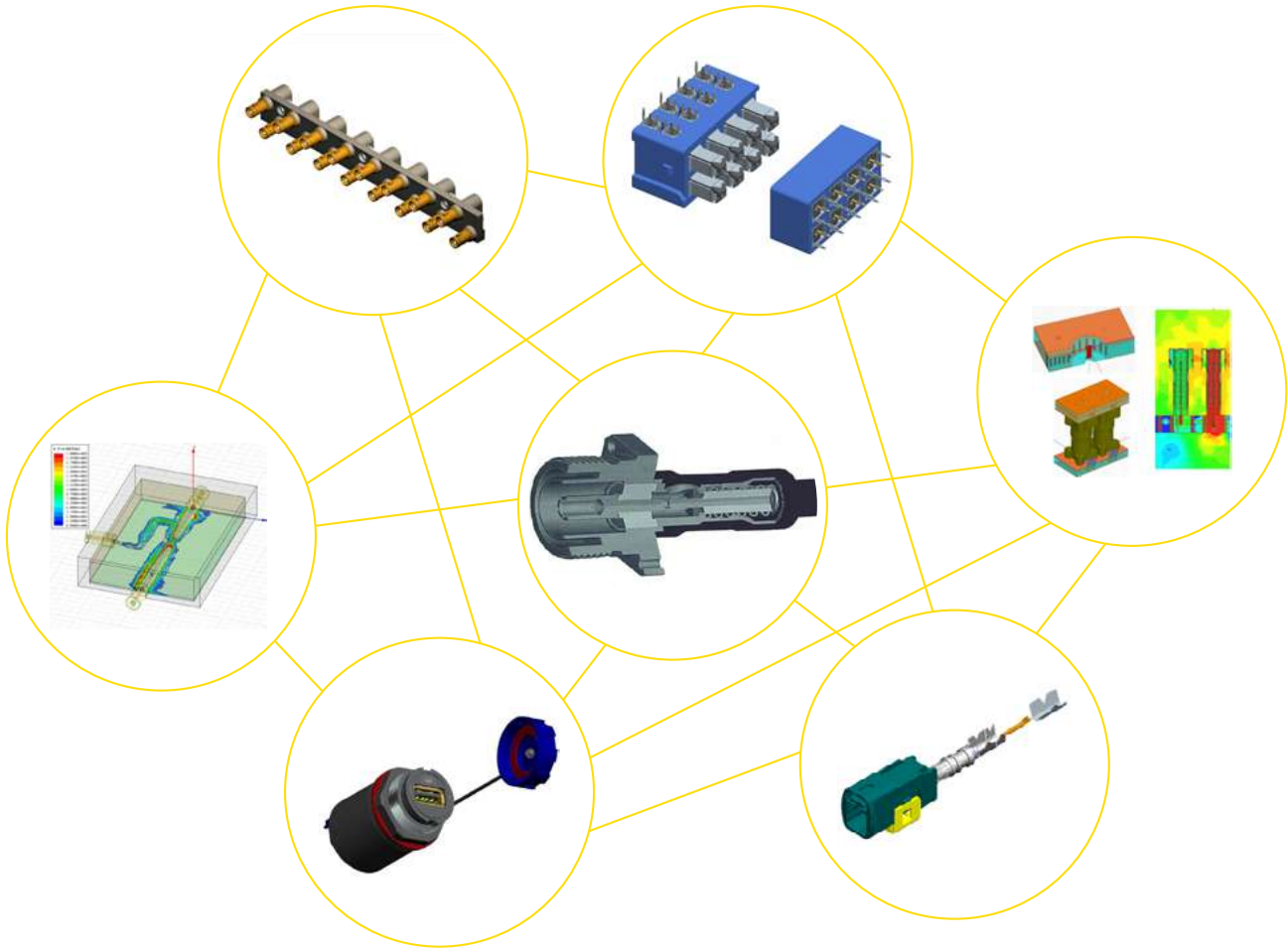
"Internet of Things" sensors and devices may be integrated with Supervisory Control and Data Acquisition (SCADA) systems to inform decision making. Commonly used in remote and harsh environments such as oil rigs or mines, these systems require ruggedized, sealed electronics and wireless communications.



ENGINEERING CAPABILITIES

As a leader in the design and manufacturing of RF interconnect products, Amphenol RF understands that every application is unique. When standard products don't match your needs, our dedicated team of engineers can develop the ideal solution for any application, in any industry.

With a global presence, Amphenol RF has experienced engineers in North America, Europe and Asia, and production capabilities in China, Mexico and the United States. Our quality team oversees the entire process from initial design through delivery, to ensure your satisfaction.



OUR ENGINEERING SERVICES INCLUDE:

Ganged Connector Solutions

Custom Cable Assemblies

Mixed Signal Applications

Modifications of Existing Designs

Application Specific Optimized Return Loss

PCB Launch Optimization

OUR ENGINEERING TOOLBOX INCLUDES:

Pro/Engineer 3D Mechanical Design

ANSOFT HFSS 3D RF Analysis

ANSYS 3D Mechanical Analysis

Agilent Vector Network Analyzers



PRODUCT REFERENCE GUIDES

AMC PRODUCT SERIES



Overview

Amphenol Micro Coaxial (AMC) connectors are low profile (2.5mm mating height) with an extremely small footprint (3mm x 3mm). Their space-saving design makes these connectors an optimal solution for portable and mobile devices. AMC connectors are fully compatible with the Hirose U.FL series.

Standard AMC Jumper Cables are available and in stock at many of the most common distributors. These jumpers offer an AMC right angle plug to AMC right angle plug on industry standard black 0.81mm, 1.13mm, 1.32mm, and 1.37mm Micro-Coaxial Cable. Custom solutions available upon request.

Features and Benefits

- Supports high frequency transmission from DC to 6GHz
- Ideal for applications where space and weight are a concern
- Easy snap on/off mating
- Surface mount allows for higher PC board densities and automated pcb placement

Applications

- Antennas
- Bluetooth
- GPS
- WLAN
- Cellular and Mobile Devices
- Tablets and Notebook Computers


Amphenol RF

Four Old Newtown Road
Danbury, CT 06810

For more information visit www.amphenolrf.com
or call 800.627.7100

Ordering Information

AMC PCB Connectors

| | Part Number | Part Description |
|---|-------------|--|
|  | A-1JB | AMC Straight PCB Jack, Surface Mount, 3000 Piece Reel, 50 Ohms |

AMC Adapters

| Part Number | Part Description |
|-------------|--|
| 031-6101 | MC Plug to TNC RP Jack, Panel Mount, 6GHz, 50 ohm |
| 031-6101-1 | AMC Plug to TNC RP Jack, Panel Mount, 3GHz, 50 ohm |
| 031-6109 | AMC Plug to BNC RP Jack, Bulkhead, 50 ohm |
| 031-6112 | AMC Plug to TNC RP Jack, Bulkhead, 50 ohm |
| 031-6137 | AMC Plug to TNC RP Jack, Panel Mount, 50 ohm |
| 031-6208 | AMC Plug to TNC Jack, Bulkhead, 50 ohm |
| 901-10097 | AMC Plug to SMA RP Jack, Bulkhead, 50 ohm |
| 901-10175 | AMC Plug to SMA Jack, Bulkhead, 50 ohm |
| 901-10395 | SMA RP Jack to AMC Jack, Bulkhead, 50 ohm |

AMC Jumper Assemblies



| | A-1PA- | 113- | 100 | B | 2 |
|---|---|------|-----|---|---|
| Series: | AMC Jumper | | | | |
| Cable Type | 081* = 0.81mm 113* = 1.13mm 132* = 1.32mm 137* = 1.37mm 178* = RG-178 | | | | |
| Assembly Length in mm (Dim L) | | | | | |
| Cable Color: | B* = Black W = White N* = Natural (RG-178 Only) G = Gray U = Blue R = Red E = Green | | | | |
| No. of Terminated Ends (1 or 2*) | | | | | |

* standard configuration options

AMC PRODUCT SERIES

Technical Specifications

Electrical

| | AMC PCB Mount Connectors | AMC Jumpers |
|-----------------------|--|---|
| Impedance | 50Ω, nominal | |
| Frequency Range | DC - 6 GHz | |
| Contact Resistance | Center Contact: 20 mΩ Max. | |
| | Outer Contact: 10 mΩ Max. | |
| Insulation Resistance | 500 mΩ Min. | |
| Operating Voltage | 500 VRMS | |
| DWV | No line or insulation breakdown: 200 VAC for 1 Min | |
| VSWR | 1.3 Max. at DC - 3 GHz, 1.35 Max. at 3 - 6 GHz | 1.300 Max. at DC - 3 GHz, 1.400 Max. at 3 - 6 GHz |

Mechanical

| | |
|-------------------|--------------------------------------|
| Durability | 30 cycles |
| Temperature Range | -40° to +90°C |
| Mating | Demating Force 10N Typical - 20N Max |

Materials and Finishes

| | | |
|--------------------------|---|---|
| Connector Body | Phosphor bronze, silver plated (0.76u Min.) over copper (1u Min.) | |
| Connector Center Contact | Phosphor bronze, gold plated (0.2u min.) over nickel (2-3u) | Phosphor bronze, gold plated (0.076u min.) over nickel (2u Min) |
| Connector Insulator | PBT | |
| Cable Jacket | FEP | |
| Cable Dielectric | FEP | |
| Cable Center Conductor | Annealed copper wire stranded, silver plated | |
| Cable Outer Conductor | Annealed copper wire braid, tin plated | |

AMMC PRODUCT SERIES



Overview

Amphenol Micro Miniature Coaxial (AMMC) connectors are low profile (1.4 mm mated height) with an extremely small footprint (2 mm x 2 mm). Their space-saving design makes these connectors an optimal solution for portable and mobile devices. AMMC connectors are fully compatible with the Hirose W.FL and IPEX MHF III series.

Standard AMMC Jumper Cables are available and in stock at many of the most common distributors. These jumpers offer an AMMC right angle plug to AMMC right angle plug on industry standard black 0.81mm and 1.13mm Micro-Coaxial Cable. Custom solutions available upon request.

Features and Benefits

- Supports high frequency transmission from DC to 6GHz
- Ideal for applications where space and weight are a concern
- Easy snap on/off mating
- Surface mount allows for higher PC board densities and automated pcb placement

Applications

- Antennas
- Bluetooth
- GPS
- WLAN
- Cellular and Mobile Devices
- Tablets and Notebook Computers


Amphenol RF

Four Old Newtown Road
Danbury, CT 06810



For more information visit www.amphenolrf.com
or call 800.627.7100

Ordering Information

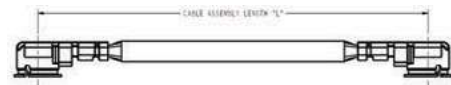
AMMC PCB Connectors

| | Part Number | Part Description |
|---|-------------|---|
|  | A-2JA | AMMC Straight PCB Jack, Surface Mount, 3000 Piece Reel, 50 Ohms |

AMMC Adapters

| | Part Number | Part Description |
|---|-------------|-----------------------|
|  | 242290 | AMMC Jack to SMA Plug |
|  | 242291 | AMMC Jack to SMA Jack |

AMMC Jumper Assemblies



| | | | | | |
|---|---|------|-----|---|---|
| | A-2PA- | 113- | 100 | B | 2 |
| Series: | AMC Jumper | | | | |
| Cable Type | 081* = 0.81mm 113* = 1.13mm | | | | |
| Assembly Length in mm (Dim L) | | | | | |
| Cable Color: | B* = Black W = White G = Gray U = Blue R = Red E = Green | | | | |
| No. of Terminated Ends (1 or 2*) | | | | | |

* standard configuration options

AMMC PRODUCT SERIES

Technical Specifications

Electrical

| | AMMC PCB Mount Connectors | AMMC Jumpers |
|-----------------------|--|---|
| Impedance | 50Ω, nominal | |
| Frequency Range | DC - 6 GHz | |
| Contact Resistance | Center Contact: 20 mΩ Max. | |
| | Outer Contact: 10 mΩ Max. | |
| Insulation Resistance | 500 mΩ Min. | |
| Operating Voltage | 500 VRMS | |
| DWV | No line or insulation breakdown: 200 VAC for 1 Min | |
| VSWR | 1.3 Max. at DC - 3 GHz, 1.35 Max. at 3 - 6 GHz | 1.300 Max. at DC - 3 GHz, 1.400 Max. at 3 - 6 GHz |

Mechanical

| | |
|-------------------|---|
| Durability | 20 cycles |
| Temperature Range | -40° to +90°C |
| Mating | Withdrawl Force 4N Min. (initial) 2N Min. (after cycling) |

Materials and Finishes

| | | |
|--------------------------|--|--|
| Connector Body | Phosphor bronze, silver plated (0.76u Min.) over copper (1-2u) | |
| Connector Center Contact | Phosphor bronze, gold plated (0.2u min.) over nickel (2-3u) | Phosphor bronze, gold plated (0.07u min.) over nickel (1.3-2.5u) |
| Connector Insulator | PBT | |
| Cable Jacket | FEP | |
| Cable Dielectric | FEP | |
| Cable Center Conductor | Annealed copper wire stranded, silver plated | |
| Cable Outer Conductor | Annealed copper wire braid, silver plated | |

BNC CONNECTOR SERIES



The BNC is a bayonet style connector allowing for quick connect and disconnect with a positive locking mechanism. Mating is achieved with just a quarter turn of the coupling nut. With a classic, dependable design, BNCs are suited to accommodate a large variety of RG and industry standard cables, in a variety of termination styles. Amphenol RF offers a full line of BNCs in both 50 and 75 Ω impedance, which are miniature, lightweight and reliable.

FEATURES & BENEFITS

Bayonet coupling mechanism provides positive, quick mating and un-mating

50 and 75 ohm designs allow customers to match impedance to system requirements

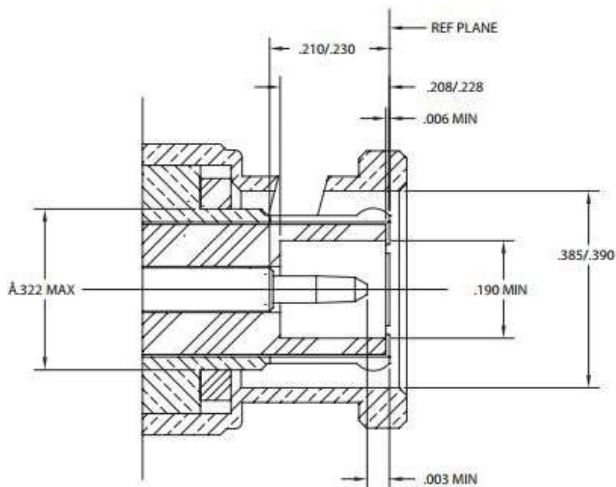
Wide variety of product configurations

For more BNC Connectors, visit:

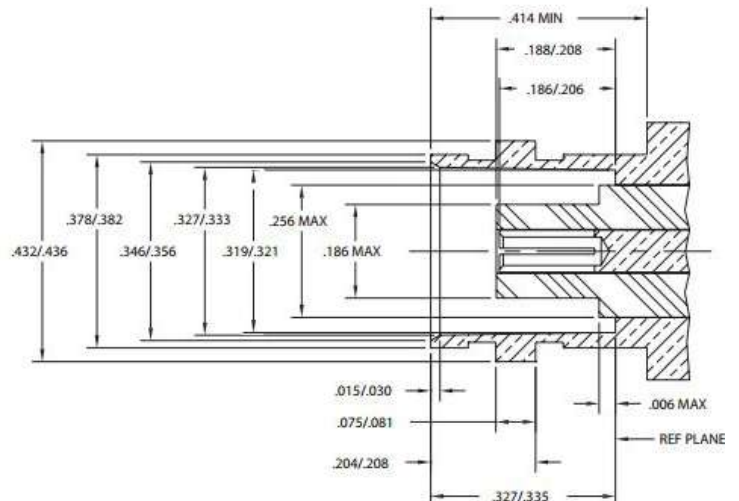
<https://www.amphenolrf.com/connectors/bnc.html>

INTERFACE DIMENSIONS

PLUG



JACK



BNC CONNECTOR SERIES

CABLE MOUNT

STRAIGHT CRIMP PLUGS, 50 OHM



| Part Number | Cable Type | Impedance | Plating | | Termination | |
|-------------|----------------|-----------|---------|---------|-------------|---------|
| | | | Body | Contact | Ferrule | Contact |
| 031-320-RFX | RG-58 | 50 | Nickel | Gold | Crimp | Crimp |
| 031-315-RFX | RG-174, RG-316 | 50 | Nickel | Gold | Crimp | Crimp |
| 112533 | LMR-240, RG-8X | 50 | Nickel | Gold | Crimp | Crimp |

[VIEW ALL STRAIGHT CRIMP PLUGS, 50 OHM](#)

STRAIGHT CRIMP PLUGS, 75 OHM



| Part Number | Cable Type | Impedance | Plating | | Termination | |
|-------------|--------------|-----------|---------|---------|-------------|---------|
| | | | Body | Contact | Ferrule | Contact |
| 112123 | RG-59 | 75 | Nickel | Gold | Crimp | Crimp |
| 112133 | RG-179 | 75 | Nickel | Gold | Crimp | Crimp |
| 112955 | Belden 1855A | 75 | Nickel | Gold | Crimp | Crimp |

[VIEW ALL STRAIGHT CRIMP PLUGS, 75 OHM](#)

STRAIGHT CRIMP JACKS, 50 OHM



| Part Number | Cable Type | Impedance | Plating | | Termination | |
|-------------|----------------|-----------|---------|---------|-------------|---------|
| | | | Body | Contact | Ferrule | Contact |
| 112160 | RG-174, RG-316 | 50 | Nickel | Gold | Crimp | Crimp |
| 112144 | RG-58 | 50 | Nickel | Gold | Crimp | Crimp |
| 112513 | RG-55, RG-142 | 50 | Nickel | Gold | Crimp | Crimp |

[VIEW ALL STRAIGHT CRIMP JACKS, 50 OHM](#)

STRAIGHT CRIMP JACKS, 75 OHM



| Part Number | Cable Type | Impedance | Plating | | Termination | |
|-------------|--------------|-----------|---------|---------|-------------|---------|
| | | | Body | Contact | Ferrule | Contact |
| 112147 | RG-59 | 75 | Nickel | Gold | Crimp | Crimp |
| 112161 | RG-179 | 75 | Nickel | Gold | Crimp | Crimp |
| 112989 | Belden 1855A | 75 | Nickel | Gold | Crimp | Crimp |

[VIEW ALL STRAIGHT CRIMP JACKS, 75 OHM](#)

STRAIGHT CRIMP JACKS, BULKHEAD MOUNT



| Part Number | Cable Type | Impedance | Plating | | Termination | |
|-------------|----------------|-----------|---------|---------|-------------|---------|
| | | | Body | Contact | Ferrule | Contact |
| 112252 | RG-174, RG-316 | 50 | Nickel | Gold | Crimp | Crimp |
| 112522 | RG-178, RG-196 | 50 | Nickel | Gold | Crimp | Solder |
| 112253 | RG-179 | 75 | Nickel | Gold | Crimp | Crimp |

[VIEW ALL STRAIGHT CRIMP JACKS, BULKHEAD MOUNT](#)

RIGHT ANGLE CRIMP PLUGS



| Part Number | Cable Type | Impedance | Plating | | Termination | |
|-------------|---------------|-----------|---------|---------|-------------|---------|
| | | | Body | Contact | Ferrule | Contact |
| 112526 | RG-55, RG-142 | 50 | Nickel | Gold | Crimp | Crimp |
| 031-335-RFX | RG-58 | 50 | Nickel | Gold | Crimp | Solder |
| 112179 | RG-179 | 75 | Nickel | Gold | Crimp | Crimp |

[VIEW ALL RIGHT ANGLE CRIMP PLUGS](#)

BNC CONNECTOR SERIES

STRAIGHT CLAMP PLUGS



| Part Number | Cable Type | Impedance | Plating | | Termination | |
|-------------|----------------|-----------|---------|---------|-------------|---------|
| | | | Body | Contact | Ferrule | Contact |
| 031-202 | RG-58 | 50 | Nickel | Silver | Clamp | Solder |
| 031-212-RFX | RG-59 | 50 | Nickel | Gold | Clamp | Solder |
| 000-69475 | RG-174, RG-316 | 50 | Nickel | Silver | Clamp | Solder |
| 112335 | RG-59 | 75 | Nickel | Gold | Clamp | Solder |

[VIEW ALL STRAIGHT CLAMP PLUGS](#)

STRAIGHT CLAMP JACKS, 50 OHM



| Part Number | Cable Type | Impedance | Plating | | Termination | | Special Feature |
|-------------|------------|-----------|---------|---------|-------------|---------|-----------------|
| | | | Body | Contact | Ferrule | Contact | |
| 031-15 | RG-59 | 50 | Nickel | Silver | Clamp | Solder | |
| 031-206 | RG-58 | 50 | Nickel | Silver | Clamp | Solder | Bulkhead Mount |

[VIEW ALL STRAIGHT CLAMP JACKS, 50 OHM](#)

STRAIGHT PANEL MOUNT JACKS



| Part Number | Mounting | Impedance | Plating | | Termination | | Special Feature |
|---------------|----------------|-----------|---------|---------|-------------|---------|-----------------|
| | | | Body | Contact | Ferrule | Contact | |
| 031-221 | Solder Cup | 50 | Nickel | Gold | N/A | Solder | Bulkhead |
| 031-221-75RFX | Solder Cup | 75 | Nickel | Gold | N/A | Solder | Bulkhead |
| 031-203-RFX | Solder Cup | 50 | Nickel | Gold | N/A | Solder | 4-Hole Flange |
| 112288-11 | RG-174, RG-316 | 50 | Nickel | Gold | Crimp | Crimp | 4-Hole Flange |
| 112275 | RG-59 | 75 | Gold | Gold | Crimp | Crimp | 4-Hole Flange |

[VIEW ALL BULKHEAD](#) [VIEW ALL 4-HOLE FLANGE](#)

PCB MOUNT

STRAIGHT PCB JACKS



| Part Number | Mounting | Impedance | Plating | | Special Feature |
|-------------|--------------|-----------|---------|---------|-----------------|
| | | | Body | Contact | |
| 112515 | Through-Hole | 50 | Nickel | Gold | |
| 031-5539 | Through-Hole | 50 | Nickel | Gold | Bulkhead |
| 112405 | Through-Hole | 75 | Nickel | Gold | |

[VIEW ALL STRAIGHT PCB JACKS](#)

RIGHT ANGLE PCB JACKS



| Part Number | Mounting | Impedance | Plating | | Special Feature |
|----------------|--------------|-----------|---------|---------|-----------------|
| | | | Body | Contact | |
| 031-71042 | Through-Hole | 75 | Nickel | Gold | Bulkhead Mount |
| 031-5341-10RFX | Through-Hole | 50 | Gold | Gold | Bulkhead Mount |

[VIEW ALL STRAIGHT PCB JACKS](#)

EDGE MOUNT PCB JACKS



| Part Number | Mounting | Impedance | Plating | | Special Feature |
|-------------|----------|-----------|---------|---------|-----------------|
| | | | Body | Contact | |
| 112740-13 | Edge | 75 | Nickel | Gold | Bulkhead Mount |
| 112608 | Edge | 50 | Nickel | Gold | |

[VIEW ALL EDGE MOUNT PCB JACKS](#)

FAKRA CONNECTOR SERIES



FEATURES & BENEFITS

IP67 rated to prevent dust and water ingress (dependent on model)

Ideal for environments requiring high data transfer rates with minimal latency

Color coded and mechanically keyed housings to prevent mis-mating

Rugged, impact resistant body and housing

Supports frequency range of DC to 6 GHz (dependent on model)

Lightweight

Low cost

Quick easy installation

Amphenol RF's series of FAKRA connectors offer excellent VSWR performance in straight, right angle, and low profile configurations. These connectors utilize a modified SMB connector embedded within a plastic housing, which is designed with a mechanical key feature and multiple color codes for easy identification to prevent mis-mating.

To ensure high levels of electrical and mechanical performance for telematics applications, the worldwide automotive industries have standardized a high-performing, cost-effective RF connector based on the FAKRA and USCAR standards. Amphenol RF's FAKRA connector series meets the requirements of the automotive industry (USCAR-17) and includes IP67 rated sealed and 6 GHz versions.

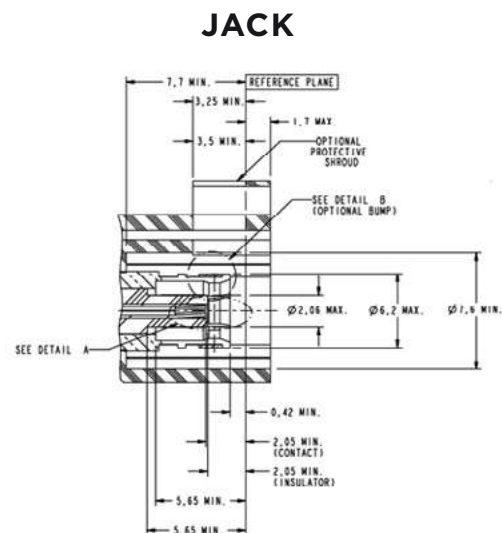
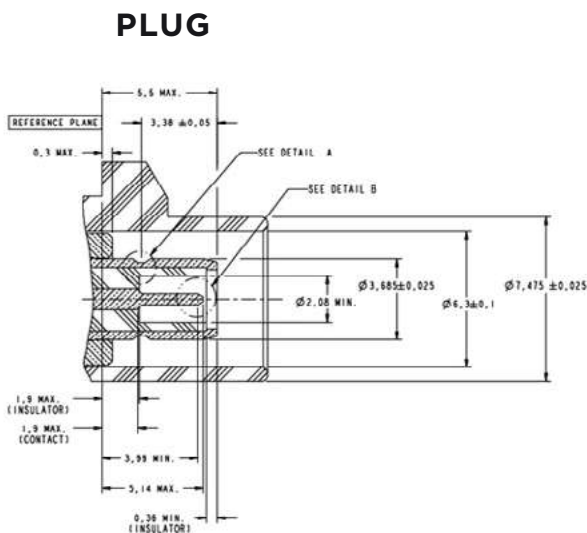
With advancements in telematics and automotive communications technology, RF communication systems have become integral components in today's automotive, trucking, watercraft, motorcycle and off-road construction markets. Wireless sensors and connectivity powered by the latest advances in RF technology are used to communicate with other vehicles, devices and networks, and FAKRA connectors will be an integral part of this movement which includes autonomous, self-driving vehicles.

The emergence of smart technology has also brought with it an unprecedented number of non-automotive applications that utilize FAKRA products. These applications, such as smart lighting, represent a substantial source of savings for consumers with their ability to reduce energy costs.

[Click here for Automotive Solutions Guide](#)

[Click here to view all FAKRA products](#)

INTERFACE DIMENSIONS



MCX CONNECTOR SERIES



The MCX (Micro Coaxial) series is a 50 Ω & 75 Ω series with broadband capability ranging from DC to 6 GHz. The MCX series features secure, fast and easy snap-on/snap-off coupling. MCX connectors were introduced in the 1980s and conform to the European CECC 22220 spec. This series is the ideal solution for designs where weight and physical space are limited.

FEATURES & BENEFITS

Broadband performance with low reflection DC to 6 GHz

Quick connect/disconnect snap-on mating

Accommodates a wide range of miniature RG flexible coaxial and semi-rigid cable

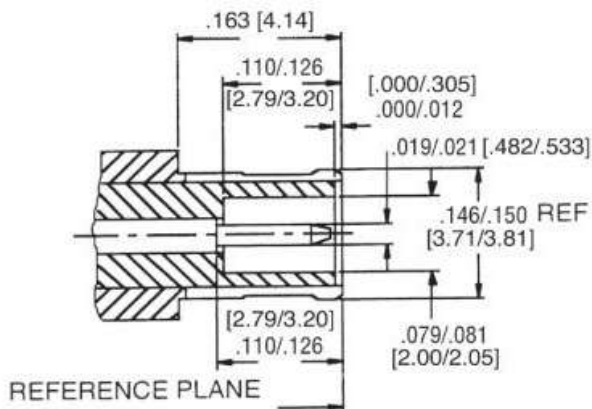
50 Ω & 75 Ω solutions available

For more MCX Connectors, visit:

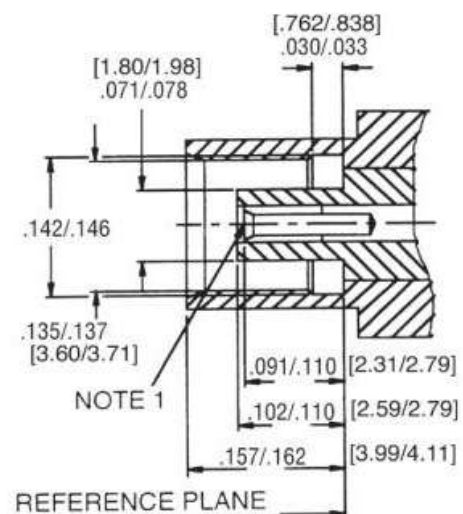
<https://www.amphenorlf.com/connectors/mcx.html>

INTERFACE DIMENSIONS

PLUG



JACK



MCX CONNECTOR SERIES

CABLE MOUNT

BULKHEAD JACKS



| Part Number | Cable Type | Impedance | Plating | | Termination | |
|-------------|---------------------------|-----------|---------|---------|-------------|---------|
| | | | Body | Contact | Ferrule | Contact |
| 252145 | RG-174, RG-316 | 50 | Gold | Gold | Crimp | Crimp |
| 252163 | RG-405 (0.086 Semi-Rigid) | 50 | Gold | Gold | Solder | Solder |

[VIEW ALL BULKHEAD JACKS](#)

RIGHT ANGLE PLUGS



| Part Number | Cable Type | Impedance | Plating | | Termination | |
|--------------|---------------------------|-----------|---------|---------|-------------|---------|
| | | | Body | Contact | Ferrule | Contact |
| 919-387P-51A | RG-178, RG-196 | 50 | Gold | Gold | Crimp | Crimp |
| 919-389P-51A | RG-174, RG-316 | 50 | Nickel | Gold | Crimp | Crimp |
| 252102-75 | RG-179, RG-187 | 75 | Gold | Gold | Crimp | Solder |
| 252109 | RG-405 (0.086 Semi-Rigid) | 50 | Gold | Gold | Solder | Solder |

[VIEW ALL RIGHT ANGLE PLUGS](#)

STRAIGHT JACKS



| Part Number | Cable Type | Impedance | Plating | | Termination | |
|---------------|---------------------------|-----------|---------|---------|-------------|---------|
| | | | Body | Contact | Ferrule | Contact |
| 919-131J-51SX | RG-178, RG-196 | 50 | Gold | Gold | Crimp | Crimp |
| 919-107J-51SX | RG-174, RG-316 | 50 | Nickel | Gold | Crimp | Crimp |
| 252147-75 | RG-179, RG-187 | 75 | Gold | Gold | Crimp | Solder |
| 252131 | RG-405 (0.086 Semi-Rigid) | 50 | Gold | Gold | Solder | Solder |

[VIEW ALL STRAIGHT JACKS](#)

STRAIGHT PLUGS



| Part Number | Cable Type | Impedance | Plating | | Termination | |
|---------------|----------------|-----------|---------|---------|-------------|---------|
| | | | Body | Contact | Ferrule | Contact |
| 919-388P-51S | RG-178, RG-196 | 50 | Gold | Gold | Crimp | Crimp |
| 919-386P-51S | RG-174, RG-316 | 50 | Nickel | Gold | Crimp | Crimp |
| 252180 | RG-58 | 50 | Gold | Gold | Crimp | Crimp |
| 919-137P-71SX | RG-179, RG-187 | 75 | Gold | Gold | Crimp | Solder |

[VIEW ALL STRAIGHT PLUGS](#)

PCB MOUNT

STRAIGHT PCB JACKS



| Part Number | Mounting | Impedance | Plating | |
|--------------|---------------|-----------|---------|---------|
| | | | Body | Contact |
| 919-382J-51P | Through-Hole | 50 | Gold | Gold |
| 919-124J-71P | Through-Hole | 75 | Gold | Gold |
| 919-384J-51P | Surface Mount | 50 | Gold | Gold |

[VIEW ALL STRAIGHT PCB JACKS](#)

RIGHT ANGLE PCB JACKS



| Part Number | Mounting | Impedance | Plating | |
|--------------|--------------|-----------|---------|---------|
| | | | Body | Contact |
| 919-383J-51A | Through-Hole | 50 | Gold | Gold |
| 252129-75 | Through-Hole | 75 | Gold | Gold |

[VIEW ALL RIGHT ANGLE PCB JACKS](#)

EDGE MOUNT PCB JACKS



| Part Number | Mounting | Impedance | Plating | |
|--------------|------------|-----------|---------|---------|
| | | | Body | Contact |
| 919-385J-51S | Edge Mount | 50 | Gold | Gold |
| 252151 | Edge Mount | 50 | Gold | Gold |
| 252121-75 | Edge Mount | 75 | Gold | Gold |

[VIEW ALL EDGE MOUNT PCB JACKS](#)

MMCX CONNECTOR SERIES



The MMCX (Micro-Miniature Coaxial) connector series is a micro-miniature version of the MCX. It has all the same features of the MCX series, including 50 Ω impedance with a broadband capability of DC to 6 GHz, secure, fast and easy snap-on/snap-off coupling and a wide range of available connectors. However, MMCX connectors have a smaller footprint than the MCX series.

Like the MCX, the MMCX series conforms to the European CECC 22000 specification.

A full range of MMCX connectors are available, including surface mount, edge card, and cable connectors.

FEATURES & BENEFITS

Broadband performance with low reflection DC to 6 GHz, providing a high-quality solution at a low cost

Quick connect/disconnect snap-on mating reduces installation time

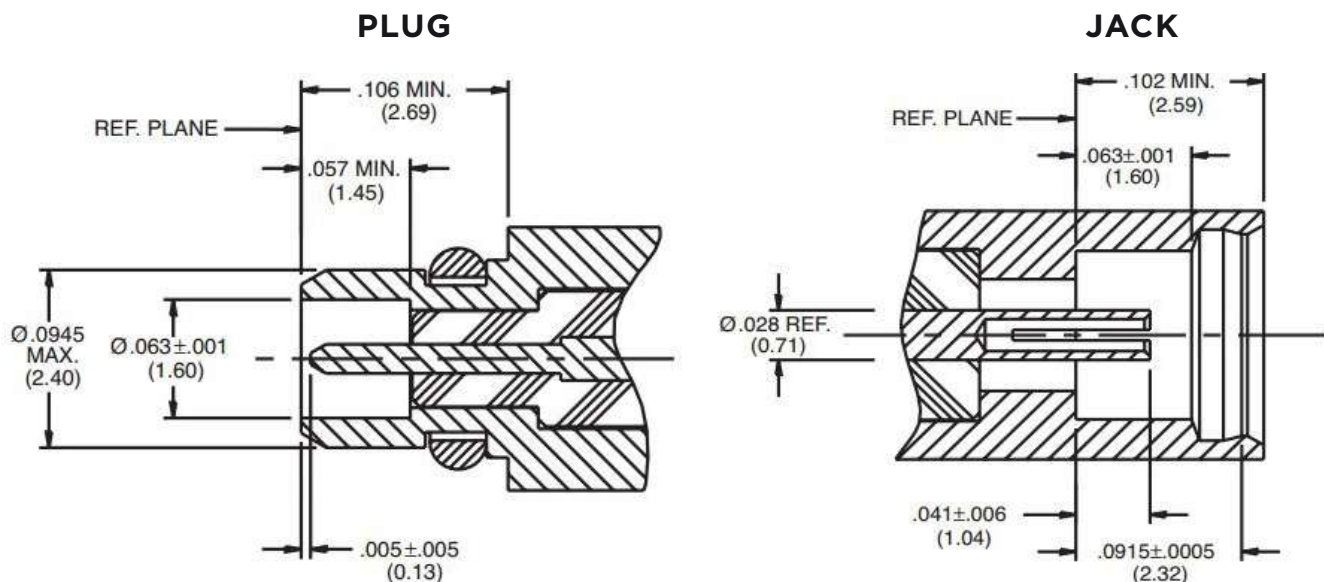
Conforms to European CECC 22000 specifications

Available in straight and right angle plugs and printed circuit board connectors

For more MMCX Connectors, visit:

<https://www.amphenolrf.com/connectors/mmcx.html>

INTERFACE DIMENSIONS



MMCX CONNECTOR SERIES

CABLE MOUNT

STRAIGHT PLUGS



| Part Number | Cable Type | Impedance | Plating | | Termination | |
|-------------|-------------------|-----------|---------|---------|-------------|---------|
| | | | Body | Contact | Ferrule | Contact |
| 262100 | RG-178, RG-196 | 50 | Gold | Gold | Crimp | Solder |
| 262101 | RG-174, RG-316 | 50 | Nickel | Gold | Crimp | Solder |
| 908-41600 | 0.047" Semi-Rigid | 50 | Gold | Gold | Solder | Solder |

[VIEW ALL STRAIGHT PLUGS](#)

RIGHT ANGLE PLUGS



| Part Number | Cable Type | Impedance | Plating | | Termination | |
|-------------|-------------------|-----------|---------|---------|-------------|---------|
| | | | Body | Contact | Ferrule | Contact |
| 262102 | RG-178, RG-196 | 50 | Gold | Gold | Crimp | Solder |
| 262103 | RG-174, RG-316 | 50 | Gold | Gold | Crimp | Solder |
| 262111 | RG-316DB | 50 | Gold | Gold | Crimp | Solder |
| 908-43600 | 0.047" Semi-Rigid | 50 | Gold | Gold | Solder | Solder |

[VIEW ALL RIGHT ANGLE PLUGS](#)

BULKHEAD JACKS



| Part Number | Cable Type | Impedance | Plating | | Termination | |
|-------------|----------------|-----------|---------|---------|-------------|---------|
| | | | Body | Contact | Ferrule | Contact |
| 262120 | RG-178, RG-196 | 50 | Gold | Gold | Crimp | Solder |
| 262121 | RG-174, RG-316 | 50 | Gold | Gold | Crimp | Solder |

[VIEW ALL BULKHEAD JACKS](#)

STRAIGHT JACKS



| Part Number | Cable Type | Impedance | Plating | | Termination | |
|-------------|----------------|-----------|---------|---------|-------------|---------|
| | | | Body | Contact | Ferrule | Contact |
| 262117 | RG-178, RG-196 | 50 | Gold | Gold | Crimp | Solder |
| 262118 | RG-174, RG-316 | 50 | Nickel | Gold | Crimp | Solder |
| 262119 | RG-316DB | 50 | Gold | Gold | Crimp | Solder |

[VIEW ALL STRAIGHT JACKS](#)

PCB MOUNT

STRAIGHT PCB JACKS



| Part Number | Mounting | Impedance | Plating | |
|-------------|---------------|-----------|---------|---------|
| | | | Body | Contact |
| 908-22101 | Surface Mount | 50 | Gold | Gold |
| 262104 | Through-Hole | 50 | Gold | Gold |

[VIEW ALL STRAIGHT PCB JACKS](#)

RIGHT ANGLE PCB JACKS



| Part Number | Mounting | Impedance | Plating | |
|-------------|--------------|-----------|---------|---------|
| | | | Body | Contact |
| 262105 | Through-Hole | 50 | Gold | Gold |

[VIEW ALL RIGHT ANGLE JACKS](#)

EDGE MOUNT PCB JACKS



| Part Number | Mounting | Impedance | Plating | |
|-------------|------------|-----------|---------|---------|
| | | | Body | Contact |
| 262107 | PCB Cutout | 50 | Gold | Gold |

[VIEW ALL EDGE MOUNT PCB JACKS](#)

N TYPE CONNECTOR SERIES



N-Type connectors are designed to satisfy the need for a durable, weatherproof, medium-size RF connector with consistent performance through 18 GHz. Our N-Type connectors feature threaded coupling mechanisms and are fully interchangeable with N-Type connectors made to the MIL-C-39012 specification. These connectors are used in systems where excellent RF and mechanical performance is critical.

FEATURES & BENEFITS

Broad line of military, industrial and commercial grade products available

Excellent RF performance from DC to 18 GHz

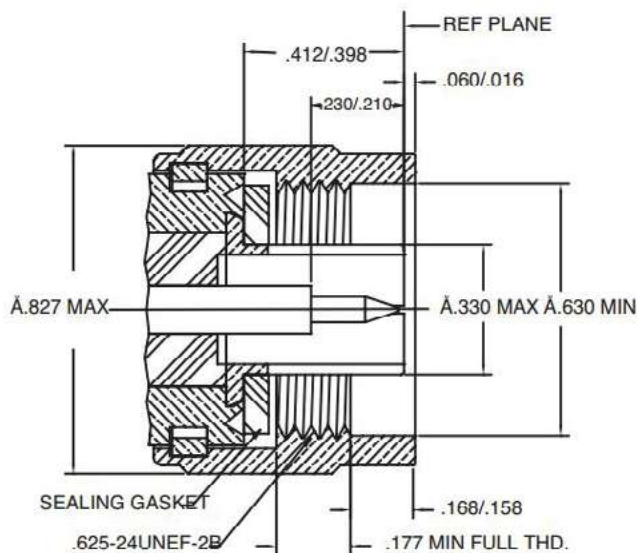
Threaded coupling mechanism ideal for vibration resistance

For more N-Type Connectors, visit:

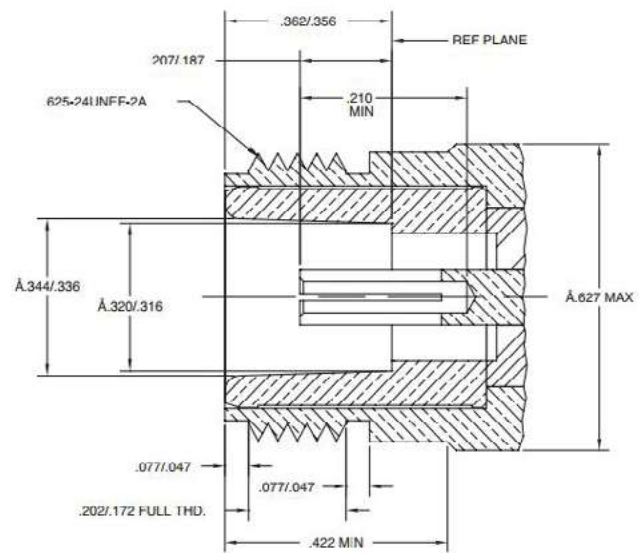
<https://www.amphenorlf.com/connectors/n-type.html>

INTERFACE DIMENSIONS

PLUG



JACK



N TYPE CONNECTOR SERIES

CABLE MOUNT

STRAIGHT PLUGS



| Part Number | Cable Type | Plating | | Termination | | Special Feature |
|--------------|--------------------------|--------------|---------|-------------|---------|------------------|
| | | Body | Contact | Ferrule | Contact | |
| 172135RP | RG-8X, LMR-240 | White Bronze | Gold | Crimp | Crimp | Reverse Polarity |
| 172102 | RG-8, RG-213, RG-393 | White Bronze | Gold | Crimp | Crimp | |
| 172113 | RG-8, RG-213, RG-393 | White Bronze | Gold | Clamp | Crimp | |
| 172100RP | RG-58, LMR-195 | Nickel | Gold | Crimp | Crimp | Reverse Polarity |
| 172142 | RG-55, RG-142, RG-223 | White Bronze | Gold | Crimp | Crimp | |
| 172171 | RG-316 DB | White Bronze | Gold | Crimp | Solder | |
| 172166 | RG-214 | White Bronze | Gold | Crimp | Crimp | |
| 172128 | RG-174, RG-316, LMR-100 | White Bronze | Gold | Crimp | Crimp | |
| 172214 | Belden 7807A, LMR-200 | White Bronze | Gold | Crimp | Crimp | |
| 172206 | LMR-600 | White Bronze | Gold | Crimp | Solder | |
| 082-6553 | LMR-400 | Nickel | Gold | Crimp | Solder | IP67 |
| 172102H243 | LMR-400 | White Bronze | Gold | Crimp | Crimp | |
| 172135 | LMR-240, RG8-X | White Bronze | Gold | Crimp | Crimp | |
| 172100 | LMR-195, RG-58 | White Bronze | Gold | Crimp | Crimp | |
| 082-340-1052 | Belden 9913, 9914 | Nickel | Silver | Crimp | Crimp | |
| 172133 | 0.141 Semi-Rigid, RG-402 | White Bronze | Gold | Solder | Crimp | |
| 172211 | 0.085 Semi-Rigid | White Bronze | Gold | Solder | Crimp | |

[VIEW ALL STRAIGHT PLUGS](#)

RIGHT ANGLE PLUGS



| Part Number | Cable Type | Plating | | Termination | | Special Feature |
|-------------|------------------------------|--------------|---------|-------------|---------|--------------------|
| | | Body | Contact | Ferrule | Contact | |
| 082-4440 | RG-9, RG-214, RG-225, RG-393 | Silver | Gold | Crimp | Crimp | Military Qualified |
| 172219 | RG-8X, LRM-240 | White Bronze | Gold | Crimp | Solder | |
| 172176 | RG-8 | White Bronze | Gold | Crimp | Solder | |
| 172178 | RG-55, RG-142, RG-223 | White Bronze | Gold | Crimp | Solder | |
| 172245 | RG-316 DB | White Bronze | Gold | Crimp | Solder | |
| 172180 | RG-174, RG-316, LMR-100 | White Bronze | Gold | Crimp | Solder | |
| 172263 | LMR-600 | White Bronze | Gold | Crimp | Crimp | |
| 082-6489 | LMR-400, Belden 9913, 9914 | Nickel | Gold | Crimp | Solder | IP67, ARC |
| 172385 | LMR-240 | White Bronze | Gold | Crimp | Solder | |
| 172215 | Belden 7807A, LMR-200 | Nickel | Gold | Crimp | Solder | |
| 172177 | LMR-195, RG-58 | White Bronze | Gold | Crimp | Solder | |

[VIEW ALL RIGHT ANGLE PLUGS](#)

PANEL MOUNT, 4-HOLE FLANGE PLUGS



| Part Number | Cable Type | Plating | | Termination | | Special Feature |
|--------------|------------|--------------|---------|--------------|---------|-----------------|
| | | Body | Contact | | Contact | |
| 172118 | N/A | White Bronze | Gold | Solder Cup | Solder | |
| 172260 | N/A | White Bronze | Gold | Round Post | Solder | |
| 082-6100-RFX | N/A | Nickel | Gold | Slotted Post | Solder | |

[VIEW ALL PANEL MOUNT, 4-HOLE FLANGE PLUGS](#)

N TYPE CONNECTOR SERIES

STRAIGHT JACKS



| Part Number | Cable Type | Plating | | Termination | | Special Feature |
|--------------|----------------------------|--------------|---------|-------------|---------|------------------|
| | | Body | Contact | Ferrule | Contact | |
| 172148 | RG-8X, LMR-240 | White Bronze | Gold | Crimp | Crimp | |
| 082-63 | RG-8, RG-9, RG-165, RG-213 | Nickel | Silver | Clamp | Solder | |
| 172105 | RG-8, RG-213, RG-393 | Nickel | Gold | Crimp | Crimp | |
| 082-6092-RFX | RG-59, RG-62 | Nickel | Gold | Crimp | Crimp | |
| 172103 | RG-58, RG-141 | White Bronze | Gold | Crimp | Crimp | |
| 172103RP | RG-58, LMR-195 | White Bronze | Gold | Crimp | Crimp | Reverse Polarity |
| 172147 | RG-55, RG-142, RG-223 | White Bronze | Gold | Crimp | Crimp | |
| 172209 | RG-214 | White Bronze | Gold | Crimp | Crimp | |
| 172204 | RG-174, RG-316 | White Bronze | Gold | Crimp | Solder | |
| 172207 | LMR-600 | White Bronze | Gold | Crimp | Solder | |
| 172203 | LMR-400, Belden 9913, 9914 | White Bronze | Gold | Crimp | Crimp | |
| 082-6517 | LMR-400 | Nickel | Gold | Crimp | Solder | IP67, ARC |
| 172216 | LMR-200 | White Bronze | Gold | Crimp | Crimp | |

[VIEW ALL STRAIGHT JACKS](#)

BULKHEAD JACKS



| Part Number | Cable Type | Plating | | Termination | | Special Feature |
|-------------|--------------------------|--------------|---------|-------------|---------|-----------------|
| | | Body | Contact | Ferrule | Contact | |
| 172149 | RG-8X, LMR-240 | White Bronze | Gold | Crimp | Crimp | |
| 082-346-RFX | RG-8, RG-213 | Nickel | Gold | Crimp | Crimp | |
| 172106 | RG-58, LMR-195 | White Bronze | Gold | Crimp | Crimp | |
| 172132 | RG-55, RG-142, RG-223 | White Bronze | Gold | Crimp | Crimp | |
| 172165 | RG-316 DB | White Bronze | Gold | Crimp | Crimp | |
| 172313 | RG-178, RG-196 | White Bronze | Gold | Crimp | Crimp | |
| 172129 | RG-174, RG-316, LMR-100 | White Bronze | Gold | Crimp | Solder | |
| 172220 | LMR-400 | White Bronze | Gold | Crimp | Crimp | |
| 172217 | LMR-200 | White Bronze | Gold | Crimp | Crimp | |
| 172137 | 0.141 Semi-Rigid, RG-402 | White Bronze | Gold | Solder | Crimp | |
| 172138 | 0.085 Semi-Rigid | White Bronze | Gold | Solder | Solder | |

[VIEW ALL BULKHEAD JACKS](#)

PANEL MOUNT, 4-HOLE FLANGE JACKS



| Part Number | Cable Type | Plating | | Termination | | Special Feature |
|-------------|------------|--------------|---------|-------------|---------|-----------------|
| | | Body | Contact | Ferrule | Contact | |
| 172117 | N/A | White Bronze | Gold | Round Post | Solder | |
| 082-97-RFX | N/A | Nickel | Gold | Solder Cup | Solder | |

[VIEW ALL PANEL MOUNT, 4-HOLE FLANGE JACKS](#)

PCB MOUNT

THROUGH-HOLE PCB JACKS, BULKHEAD



| Part Number | Mounting | Plating | | Termination | | Special Feature |
|-------------|----------|---------|---------|--------------|---------|-----------------|
| | | Body | Contact | Ferrule | Contact | |
| 172243 | Bulkhead | Nickel | Gold | Through-Hole | Solder | |

[VIEW ALL THROUGH-HOLE PCB JACKS, BULKHEAD](#)

SMA CONNECTOR SERIES



Using a threaded interface, SMA 50 Ω ohm connectors are semi-precision units that provide excellent electrical performance from DC to 26.5 GHz and outstanding mechanical durability. SMA connectors feature stainless steel or brass construction and $\frac{1}{4}$ - 36 threaded coupling, which offers high performance in a compact design. For phase array radar, test equipment, ILS landing systems and other instrumentation using phase matching techniques, SMA interconnects offer a precise and simple means of phase adjustment for microwave devices. Built in accordance with MIL-C-39012 and CECC 2110/111, SMA connectors can be mated with all connectors that meet these specification mating diameters regardless of manufacturer.

FEATURES & BENEFITS

Lightweight, compact and vibration proof design

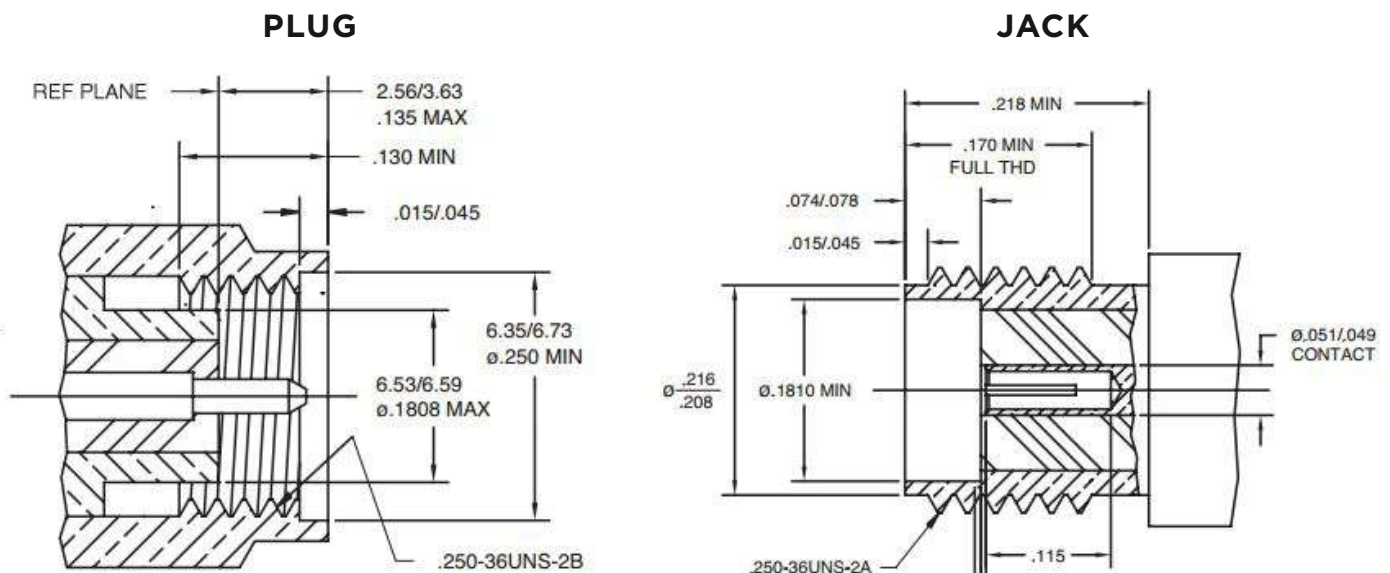
Low cost commercial grade (brass SMA) available in nickel or gold plating

Terminates to all standard flexible coaxial cables, low-loss (LMR) type cables and industry standard semi-rigid and conformable cables

For more SMA Connectors, visit:

<https://www.amphenorlf.com/connectors/sma.html>

INTERFACE DIMENSIONS



SMA CONNECTOR SERIES

CABLE MOUNT

STRAIGHT PLUGS



| Part Number | Cable Type | Plating | | Termination | | Special Feature |
|---------------|----------------------------|------------|---------|-------------|---------|------------------|
| | | Body | Contact | Ferrule | Contact | |
| 132231 | RG-8X, LMR-240 | Gold | Gold | Crimp | Solder | |
| 132113 | RG-58, LMR-195 | Gold | Gold | Crimp | Solder | |
| 132113RP | RG-58, LMR-195 | Gold | Gold | Crimp | Solder | Reverse Polarity |
| 132195 | RG-55, RG-142, RG-223 | Gold | Gold | Crimp | Solder | |
| 132178 | RG-316 DB | Gold | Gold | Crimp | Solder | |
| 901-9511-12SF | RG-316 DB | Passivated | Gold | Crimp | Crimp | Stainless Steel |
| 132193 | RG-178, RG-196 | Gold | Gold | Crimp | Solder | |
| 132114RP | RG-174, RG-316, LMR-100 | Gold | Gold | Crimp | Solder | Reverse Polarity |
| 132114 | RG-174, RG-316, LMR100 | Gold | Gold | Crimp | Solder | |
| 132234 | LMR-200 | Gold | Gold | Crimp | Solder | |
| 132102 | 0.141 Semi-Rigid | Gold | Gold | Solder | Solder | |
| 132298 | LMR-400, Belden 9913, 9914 | Gold | Gold | Crimp | Solder | |
| 901-9808 | 0.141 Semi-Rigid | Passivated | Gold | Solder | Solder | Stainless Steel |
| 132101 | 0.085 Semi Rigid | Gold | Gold | Solder | Solder | |
| 132249 | 0.047 Semi-Rigid | Gold | Gold | Solder | Solder | |

[VIEW ALL STRAIGHT PLUGS](#)

RIGHT ANGLE PLUGS



| Part Number | Cable Type | Plating | | Termination | | Special Feature |
|-------------|-------------------------|---------|---------|-------------|---------|-----------------|
| | | Body | Contact | Ferrule | Contact | |
| 132239 | RG-8X, LMR-240 | Gold | Gold | Crimp | Solder | |
| 132122 | RG-58, LMR-195 | Gold | Gold | Crimp | Solder | |
| 132194 | RG-55, RG-142, RG-223 | Gold | Gold | Crimp | Solder | |
| 132182 | RG-316 DB | Gold | Gold | Crimp | Solder | |
| 132173 | RG-178, RG-196 | Gold | Gold | Crimp | Solder | |
| 132123 | RG-174, RG-316, LMR-100 | Gold | Gold | Crimp | Solder | |
| 132112 | 0.141 Semi-Rigid | Gold | Gold | Solder | Solder | |
| 132111 | 0.085 Semi-Rigid | Gold | Gold | Solder | Solder | |

[VIEW ALL RIGHT ANGLE PLUGS](#)

STRAIGHT JACKS



| Part Number | Cable Type | Plating | | Termination | | Special Feature |
|-------------|--|---------|---------|-------------|---------|------------------|
| | | Body | Contact | Ferrule | Contact | |
| 132240 | RG-8X, LMR-240 | Gold | Gold | Crimp | Solder | |
| 132116 | RG-58, LMR-195, Belden 9907, Belden B7806A | Gold | Gold | Crimp | Solder | |
| 132197 | RG-55, RG-142, RG-223 | Gold | Gold | Crimp | Solder | |
| 132198 | RG-316 DB | Gold | Gold | Crimp | Solder | |
| 132279 | RG-178, RG-196 | Gold | Gold | Crimp | Solder | |
| 132117 | RG-174, RG-316, LMR-100 | Gold | Gold | Crimp | Solder | |
| 132117RP | RG-174, RG-316, LMR-100 | Gold | Gold | Crimp | Solder | Reverse Polarity |
| 132332 | LMR-400 | Gold | Gold | Crimp | Solder | |
| 132236 | LMR-200 | Gold | Gold | Crimp | Solder | |
| 132104 | 0.141 Semi-Rigid | Gold | Gold | Solder | Solder | |
| 132103 | 0.085 Semi -Rigid | Gold | Gold | Solder | Solder | |
| 132257 | 0.047 Semi-Rigid | Gold | Gold | Solder | Solder | |

[VIEW ALL STRAIGHT JACKS](#)

SMA CONNECTOR SERIES

BULKHEAD JACKS



| Part Number | Mounting | Plating | | Termination | | Special Feature |
|-------------|-------------------------|---------|---------|-------------|---------|------------------|
| | | Body | Contact | | Contact | |
| 132241 | RG-8X, LMR-240 | Gold | Gold | Crimp | Solder | |
| 132118 | RG-58, LMR-195, | Gold | Gold | Crimp | Solder | |
| 132191 | RG-55, RG-142, RG-223 | Gold | Gold | Crimp | Solder | |
| 132176 | RG-316 DB | Gold | Gold | Crimp | Solder | |
| 901-9610-3 | RG-316 | Gold | Gold | Crimp | Crimp | Stainless Steel |
| 132286 | RG-178, RG-196 | Gold | Gold | Crimp | Solder | |
| 132119 | RG-174, RG-316, LMR-100 | Gold | Gold | Crimp | Solder | |
| 132119RP | RG-174, RG-316, LMR-100 | Gold | Gold | Crimp | Solder | Reverse Polarity |
| 132106 | 0.141 Semi-Rigid | Gold | Gold | Solder | Solder | |
| 132105 | 0.085 Semi-Rigid | Gold | Gold | Solder | Solder | |
| 132251 | 0.047 Semi-Rigid | Gold | Gold | Solder | Solder | |

[VIEW ALL BULKHEAD JACKS](#)

PANEL MOUNT, 4-HOLE FLANGE JACKS



| Part Number | Mounting | Plating | | Termination | | Special Feature |
|-------------|---------------|---------|---------|-------------|---------|-----------------|
| | | Body | Contact | | Contact | |
| 132146 | 4-Hole Flange | Gold | Gold | Round Post | Solder | |
| 132142 | 4-Hole Flange | Gold | Gold | Solder Cup | Solder | |
| 132166 | 4-Hole Flange | Gold | Gold | Flat Tab | Solder | |

[VIEW ALL PANEL MOUNT, 4-HOLE FLANGE JACKS](#)

PANEL MOUNT, 4-HOLE FLANGE PLUGS



| Part Number | Mounting | Plating | | Termination | | Special Feature |
|-------------|---------------|---------|---------|-------------|---------|-----------------|
| | | Body | Contact | | Contact | |
| 132144 | 4-Hole Flange | Gold | Gold | Round Post | Solder | |

[VIEW ALL PANEL MOUNT, 4-HOLE FLANGE PLUGS](#)

PANEL MOUNT, 2-HOLE FLANGE PLUGS



| Part Number | Mounting | Plating | | Termination | | Special Feature |
|-------------|---------------|---------|---------|-------------|---------|-----------------|
| | | Body | Contact | | Contact | |
| 132141 | 2-Hole Flange | Gold | Gold | Solder Cup | Solder | |
| 132145 | 2-Hole Flange | Gold | Gold | Round Post | Solder | |

[VIEW ALL 2-HOLE FLANGE PLUGS](#)

PANEL MOUNT, 2-HOLE FLANGE JACKS



| Part Number | Mounting | Plating | | Termination | | Special Feature |
|--------------|---------------|---------|---------|-------------|---------|-----------------|
| | | Body | Contact | | Contact | |
| 132147 | 2-Hole Flange | Gold | Gold | Round Post | Solder | |
| 901-9893-RFX | 2-Hole Flange | Nickel | Gold | Solder Cup | Solder | |

[VIEW ALL PANEL MOUNT, 2-HOLE FLANGE JACKS](#)

SMA CONNECTOR SERIES

PCB MOUNT

END LAUNCH PCB JACKS



| Part Number | Mounting | Plating | | Special Feature |
|-------------|------------|---------|---------|-------------------------|
| | | Body | Contact | |
| 901-10511-1 | End Launch | Gold | Gold | High Frequency 26.5 GHz |

[VIEW ALL END LAUNCH PCB JACKS](#)

STRAIGHT THROUGH HOLE JACKS



| Part Number | Mounting | Plating | | Special Feature |
|--------------|--------------|---------|---------|------------------|
| | | Body | Contact | |
| 901-144-8RFX | Through-Hole | Gold | Gold | |
| 132134RP | Through-Hole | Gold | Gold | Reverse Polarity |

[VIEW ALL STRAIGHT THROUGH HOLE JACKS](#)

RIGHT ANGLE THROUGH HOLE PCB JACKS



| Part Number | Mounting | Plating | | Special Feature |
|--------------|--------------|---------|---------|-----------------|
| | | Body | Contact | |
| 901-143-6RFX | Through Hole | Gold | Gold | |
| 132203 | Through Hole | Gold | Gold | Bulkhead |

[VIEW ALL RIGHT ANGLE THROUGH HOLE PCB JACKS](#)

THROUGH-HOLE PCB PLUGS



| Part Number | Mounting | Plating | | Special Feature |
|--------------|--------------|---------|---------|-----------------|
| | | Body | Contact | |
| 901-9895-RFX | Through-Hole | Gold | Gold | |
| 132135 | Through-Hole | Gold | Gold | Right Angle |

[VIEW ALL THROUGH-HOLE PCB PLUGS](#)

END LAUNCH PCB PLUGS



| Part Number | Mounting | Plating | | Special Feature |
|-------------|------------|---------|---------|-------------------------|
| | | Body | Contact | |
| 901-10588 | End Launch | Gold | Gold | High-Frequency 26.5 GHz |

[VIEW ALL END LAUNCH PCB PLUGS](#)

SMB CONNECTOR SERIES



The SMB interface features a snap-on coupling mechanism and is available in 50 Ω and 75 Ω configurations. SMB connectors conform to the requirements of MIL-C-39012 and the interface is in compliance with MIL-STD-348. SMB connectors offer broadband performance with low reflection DC to 4 GHz and utilize die cast components on non-critical areas to provide a low-cost solution.

FEATURES & BENEFITS

Selective plating provides corrosion resistance finish as well as good solderability characteristics

Various plating options in nickel, gold, and tin lead

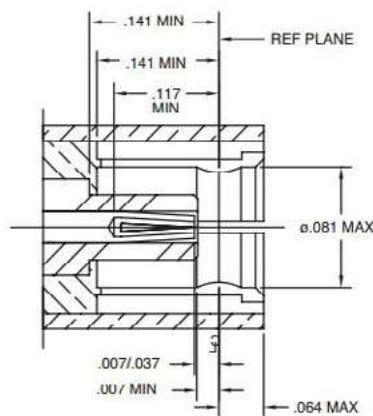
SMB PCB slide-on plug and jack allows board-to-board mounting with a low insertion force making this is ideal for mating a high number of connectors on a pair of PCB's

For more SMB Connectors, visit:

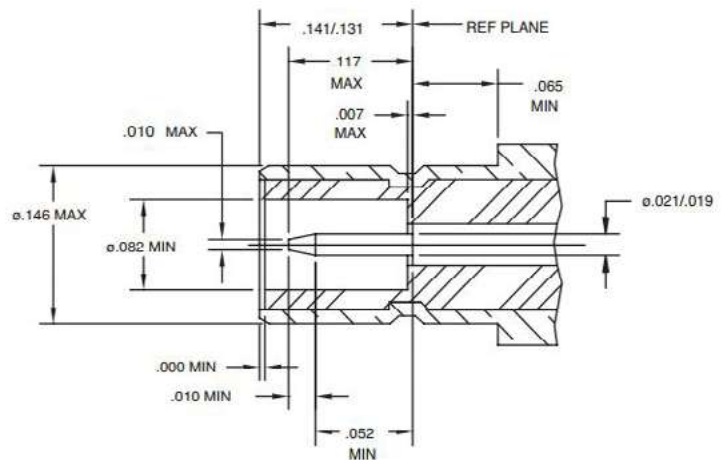
<https://www.amphenorlf.com/connectors/smb.html>

INTERFACE DIMENSIONS

PLUG



JACK



SMB CONNECTOR SERIES

CABLE MOUNT

STRAIGHT PLUGS



| Part Number | Cable Type | Impedance | Plating | | Termination | | Special Features |
|---------------|-----------------------|-----------|---------|---------|-------------|---------|------------------|
| | | | Body | Contact | Ferrule | Contact | |
| 142255 | RG-58, LMR-195 | 50 | Gold | Gold | Crimp | Solder | |
| 142220 | RG-55, RG-142 | 50 | Gold | Gold | Crimp | Solder | |
| 142187 | RG-316 DB | 50 | Gold | Gold | Crimp | Solder | |
| 903-577P-51S1 | RG-316 | 50 | Nickel | Gold | Crimp | Solder | |
| 142101 | RG-179, RG-187 | 75 | Nickel | Gold | Crimp | Solder | SMZ |
| 142229 | RG-178, RG-196 | 50 | Gold | Gold | Crimp | Solder | |
| 142186 | RG174-RG-316, LMR-100 | 50 | Gold | Gold | Crimp | Solder | |

[VIEW ALL STRAIGHT PLUGS](#)

RIGHT ANGLE PLUGS



| Part Number | Cable Type | Impedance | Plating | | Termination | | Special Features |
|----------------|-------------------------|-----------|---------|---------|-------------|---------|---------------------------|
| | | | Body | Contact | Ferrule | Contact | |
| 142206 | RG-58, LMR-195 | 50 | Gold | Gold | Crimp | Solder | |
| 142176 | RG-316 DB | 50 | Gold | Gold | Crimp | Solder | |
| 903-NM289P-51A | RG-316 | 50 | White | Gold | Crimp | Solder | Non-Magnetic |
| 142194 | RG-174, RG-316, LMR-100 | 50 | Gold | Gold | Crimp | Solder | |
| 903-613P-71AD | AT&T 735A, Belden 735A1 | 75 | Nickel | Gold | Crimp | Solder | 45 Degree Angle, Mini-SMB |

[VIEW ALL RIGHT ANGLE PLUGS](#)

STRAIGHT JACKS



| Part Number | Cable Type | Impedance | Plating | | Termination | | Special Features |
|-------------|-------------------------|-----------|---------|---------|-------------|---------|------------------|
| | | | Body | Contact | Ferrule | Contact | |
| 142330 | RG-58 | 50 | Gold | Gold | Crimp | Solder | |
| 142182 | RG-316 | 50 | Nickel | Gold | Crimp | Crimp | |
| 142190 | RG-316 DB | 50 | Gold | Gold | Crimp | Solder | |
| 142241 | RG-178, RG-196 | 50 | Gold | Gold | Crimp | Solder | |
| 142189 | RG-174, RG-316, LMR-100 | 50 | Gold | Gold | Crimp | Solder | |

[VIEW ALL STRAIGHT JACKS](#)

BULKHEAD JACKS



| Part Number | Cable Type | Impedance | Plating | | Termination | | Special Features |
|---------------|-------------------------|-----------|---------|---------|-------------|---------|------------------|
| | | | Body | Contact | Ferrule | Contact | |
| 142150 | Solder Cup | 50 | Gold | Gold | Solder Cup | Solder | Solder Cup |
| 142331 | RG-58 | 50 | Gold | Gold | Crimp | Crimp | |
| 903-505J-51S1 | RG-316 DB | 50 | Gold | Gold | Crimp | Solder | |
| 142231 | RG-178, RG-196 | 50 | Gold | Gold | Crimp | Solder | |
| 142191 | RG-174, RG-316, LMR-100 | 50 | Gold | Gold | Crimp | Solder | |
| 142233 | RG-174, RG-316, LMR-100 | 50 | Gold | Gold | Crimp | Solder | Right Angle |

[VIEW ALL BULKHEAD JACKS](#)

RIGHT ANGLE JACKS



| Part Number | Cable Type | Impedance | Plating | | Termination | | Special Features |
|-------------|-------------------------|-----------|---------|---------|-------------|---------|------------------|
| | | | Body | Contact | Ferrule | Contact | |
| 142252 | RG-174, RG-316, LMR-100 | 50 | Gold | Gold | Crimp | Solder | |

[VIEW ALL RIGHT ANGLE JACKS](#)

SMB CONNECTOR SERIES

FLANGES



| Part Number | Mounting | Impedance | Plating | | Termination | | Special Features |
|------------------------|---------------|-----------|---------|---------|-------------|---------|------------------|
| | | | Body | Contact | Ferrule | Contact | |
| 142166 | 2-Hole Flange | 50 | Gold | Gold | Solder Cup | Solder | |
| 142162 | 4-Hole Flange | 50 | Gold | Gold | Solder Cup | Solder | |

[VIEW ALL 2-HOLE FLANGE](#)

[VIEW ALL 4-HOLE FLANGE](#)

PCB MOUNT

THROUGH-HOLE PCB JACKS



| Part Number | Mounting | Impedance | Plating | | Special Features |
|------------------------|--------------|-----------|---------|---------|-----------------------|
| | | | Body | Contact | |
| 142138 | Through-Hole | 50 | Gold | Gold | |
| 142146 | Through-Hole | 50 | Gold | Gold | Right Angle |
| 142184 | Through-Hole | 50 | Gold | Gold | Bulkhead, Right Angle |
| 142210 | Through-Hole | 50 | Gold | Gold | Bulkhead |

[VIEW ALL THROUGH HOLE PCB](#)

END LAUNCH PCB JACKS



| Part Number | Mounting | Impedance | Plating | | Special Features |
|------------------------------|------------|-----------|---------|---------|------------------|
| | | | Body | Contact | |
| 903-518J-51P | End Launch | 50 | Gold | Gold | |

[VIEW ALL END LAUNCH PCB JACKS](#)

TNC CONNECTOR SERIES



The TNC connector series is a miniature, threaded, weatherproof series with a constant 50Ω impedance and a frequency range of DC - 11 GHz. It has the same form factor as a BNC with a threaded coupling nut interface. The threaded interface allows the TNC to perform at higher frequencies and provides secure mating against shock and vibration.

TNC connectors are also produced with standard and reverse polarity interfaces. Reverse polarity mating provides a keying system to ensure that reverse polarity interface connectors do not mate with standard interface connectors. The TNC product line features a robust selection of mating and termination options.

FEATURES & BENEFITS

Threaded coupling interface ensures connector with not de-couple in vibration-intense applications

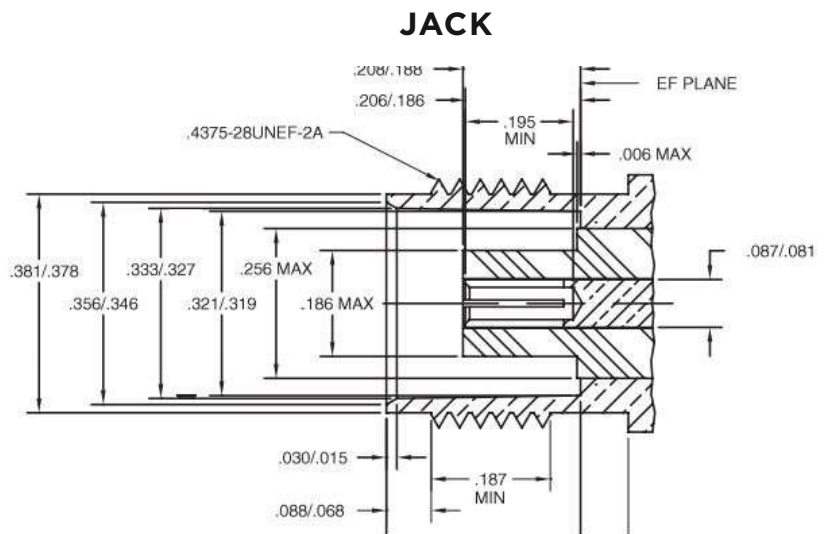
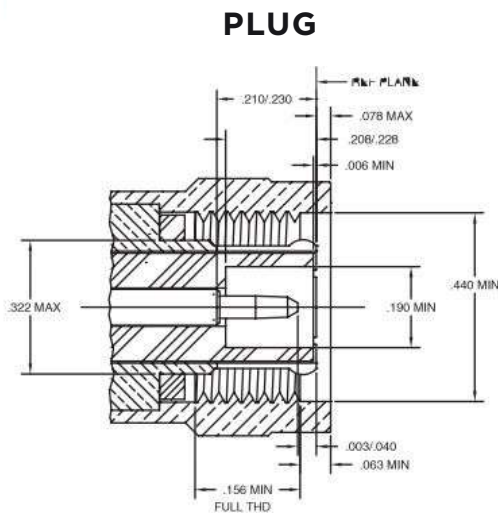
Durable construction

Performance from DC - 11 GHz operations in many applications

For more TNC Connectors, visit:

<https://www.amphenolrf.com/connectors/tnc.html>

INTERFACE DIMENSIONS



TNC CONNECTOR SERIES

CABLE MOUNT

STRAIGHT CRIMP PLUGS, 50 OHM



| Part Number | Cable Type | Impedance | Plating | | Termination | | Special Feature |
|--------------|----------------|-----------|---------|---------|-------------|---------|------------------|
| | | | Body | Contact | Ferrule | Contact | |
| 122108 | RG-58 | 50 | Nickel | Gold | Crimp | Crimp | |
| 031-2315-RFX | RG-174, RG-316 | 50 | Nickel | Gold | Crimp | Crimp | |
| 031-6825 | LMR-240, RG-8X | 50 | Nickel | Gold | Crimp | Solder | |
| 122108RP | RG-58 | 50 | Nickel | Gold | Crimp | Crimp | Reverse Polarity |

[VIEW ALL STRAIGHT CRIMP PLUGS, 50 OHM](#)

STRAIGHT CRIMP JACKS, 50 OHM



| Part Number | Cable Type | Impedance | Plating | | Termination | | Special Feature |
|-------------|----------------|-----------|---------|---------|-------------|---------|------------------|
| | | | Body | Contact | Ferrule | Contact | |
| 122373 | RG-55, RG-142 | 50 | Nickel | Gold | Crimp | Crimp | |
| 122122 | RG-58 | 50 | Nickel | Gold | Crimp | Crimp | |
| 031-6827 | LMR-240, RG-8X | 50 | Nickel | Gold | Crimp | Crimp | |
| 122122RP | RG-58 | 50 | Nickel | Gold | Crimp | Crimp | Reverse Polarity |

[VIEW ALL STRAIGHT CRIMP JACKS, 50 OHM](#)

STRAIGHT CRIMP PLUGS, 75 OHM



| Part Number | Cable Type | Impedance | Plating | | Termination | | Special Feature |
|-------------|--------------|-----------|---------|---------|-------------|---------|-----------------|
| | | | Body | Contact | Ferrule | Contact | |
| 122390 | RG-6 | 75 | Nickel | Gold | Crimp | Crimp | |
| 122426 | Belden 1505A | 75 | Nickel | Gold | Crimp | Crimp | |

[VIEW ALL STRAIGHT CRIMP PLUGS, 75 OHM](#)

STRAIGHT JACKS, 75 OHM



| Part Number | Cable Type | Impedance | Plating | | Termination | | Special Feature |
|-------------|------------|-----------|---------|---------|-------------|---------|-----------------|
| | | | Body | Contact | Ferrule | Contact | |
| 122333 | Solder Cup | 75 | Nickel | Gold | N/A | Solder | Bulkhead Mount |
| 122193 | RG-179 | 75 | Nickel | Gold | Crimp | Crimp | Bulkhead Mount |
| 122125 | RG-59 | 75 | Nickel | Gold | Crimp | Crimp | |

[VIEW ALL STRAIGHT JACKS, 75 OHM](#)

STRAIGHT CRIMP JACKS, PANEL MOUNT



| Part Number | Cable Type | Impedance | Plating | | Termination | | Special Feature |
|--------------|----------------|-----------|---------|---------|-------------|---------|----------------------------------|
| | | | Body | Contact | Ferrule | Contact | |
| 031-2318-RFX | RG-174, RG-316 | 50 | Nickel | Gold | Crimp | Crimp | Bulkhead Mount |
| 122160 | RG-58 | 50 | Nickel | Gold | Crimp | Solder | Bulkhead Mount |
| 122379 | RG-174, RG-316 | 50 | Nickel | Gold | Crimp | Crimp | 4-Hole Flange |
| 122192RP | RG-174, RG-316 | 50 | Nickel | Gold | Crimp | Solder | Reverse Polarity, Bulkhead Mount |

[VIEW ALL STRAIGHT CRIMP JACKS, PANEL MOUNT](#)

TNC CONNECTOR SERIES

RIGHT ANGLE CRIMP PLUGS



| Part Number | Cable Type | Impedance | Plating | | Termination | | Special Feature |
|-------------|---------------|-----------|---------|---------|-------------|---------|------------------|
| | | | Body | Contact | Ferrule | Contact | |
| 122430 | RG-55, RG-142 | 50 | Nickel | Gold | Crimp | Solder | |
| 122140 | RG-58 | 50 | Nickel | Gold | Crimp | Solder | |
| 122140RP | RG-58 | 50 | Nickel | Gold | Crimp | Solder | Reverse Polarity |
| 031-6822 | LMR-195 | 50 | Nickel | Gold | Crimp | Solder | |

[VIEW ALL RIGHT ANGLE CRIMP PLUGS](#)

CLAMP PLUGS



| Part Number | Cable Type | Impedance | Plating | | Termination | | Special Feature |
|---------------|--------------|-----------|---------|---------|-------------|---------|-----------------|
| | | | Body | Contact | Ferrule | Contact | |
| 000-79875-RFX | RG-58 | 50 | Nickel | Gold | Clamp | Crimp | Straight |
| 122381 | RG-8, RG-213 | 50 | Nickel | Gold | Clamp | Crimp | Straight |
| 000-79075 | RG-58 | 50 | Nickel | Silver | Clamp | Crimp | Right Angle |

[VIEW ALL CLAMP PLUGS](#)

PCB MOUNT

STRAIGHT PCB JACKS



| Part Number | Mounting | Impedance | Plating | | Special Feature |
|-------------|--------------|-----------|---------|---------|------------------|
| | | | Body | Contact | |
| 122440 | Through-Hole | 50 | Nickel | Gold | |
| 031-71063 | Through-Hole | 75 | Nickel | Gold | |
| 122440RP | Through-Hole | 50 | Nickel | Gold | Reverse Polarity |

[VIEW ALL STRAIGHT PCB JACKS](#)

RIGHT ANGLE PCB JACKS



| Part Number | Mounting | Impedance | Plating | | Special Feature |
|-------------|--------------|-----------|---------|---------|----------------------------------|
| | | | Body | Contact | |
| 031-5607 | Through-Hole | 50 | Nickel | Gold | |
| 031-5660 | Through-Hole | 50 | Nickel | Gold | Bulkhead Mount |
| 122490RP | Through-Hole | 50 | Nickel | Gold | Reverse Polarity, Bulkhead Mount |

[VIEW ALL RIGHT ANGLE PCB JACKS](#)

EDGE MOUNT PCB JACKS



| Part Number | Mounting | Impedance | Plating | | Special Feature |
|-------------|----------|-----------|---------|---------|-----------------------|
| | | | Body | Contact | |
| 031-6530 | Edge | 50 | Gold | Gold | Bulkhead Mount, IP-67 |

[VIEW ALL EDGE MOUNT PCB JACKS](#)

FIXED LENGTH CABLE ASSEMBLIES

Click on the ● to view all cable assemblies available in each category.

| | 1.0/2.3 | AMC | AMC4 | AMMC | BNC | FAKRA | HD-BNC | MCX | MINI-SMB | MMCX | N-TYPE | PROBE | SMA | SMB | SMP | SMPM | TNC | UNTERMINATED |
|--------------|---------|-----|------|------|-----|-------|--------|-----|----------|------|--------|-------|-----|-----|-----|------|-----|--------------|
| 1.0/2.3 | | | | | ● | | ● | | | | | | | | | | | |
| AMC | | ● | | | | ● | | ● | | | ● | | ● | | | | ● | ● |
| AMC4 | | | | | | | | | | | | | ● | | | | | |
| AMMC | | | | ● | | | | | | | | | | | | | | |
| BNC | ● | | | | ● | | ● | | | | | | ● | ● | | | | |
| FAKRA | | ● | | | | | | | | | | | | | | | | |
| HD-BNC | ● | | | | ● | | ● | | | | | | | | | | | |
| MCX | | ● | | | | | | ● | | | | | ● | | | | | |
| MINI-SMB | | | | | | | | | ● | | | | | | | | | |
| MMCX | | | | | | | | | | ● | | | ● | | | | | |
| N-TYPE | | ● | | | | | | | | | ● | | | | | | | |
| PROBE | | | | | | | | | | | | | ● | | | | | |
| SMA | | ● | ● | | ● | | | ● | | ● | | ● | ● | | ● | | | ● |
| SMB | | | | | ● | | | | | | | | | ● | | | | |
| SMP | | | | | | | | | | | | | ● | | ● | | | |
| SMPM | | | | | | | | | | | | | | | | ● | | |
| TNC | | ● | | | | | | | | | | | | | | | | |
| UNTERMINATED | | ● | | | | | | | | | | | ● | | | | | |

FIXED LENGTH CABLE ASSEMBLIES

1.0/2.3 ASSEMBLIES

1.0/2.3 to HD-BNC

| Part Number | Side 1 | Side 2 | Cable | Impedance |
|-----------------|------------------|-----------------|--------------|-----------|
| 095-850-156xxxx | 1.0/2.3 Str Plug | HD-BNC Str Plug | Belden 1505A | 75 |
| 095-850-157xxxx | 1.0/2.3 Str Plug | HD-BNC Str Plug | Belden 1694A | 75 |
| 095-850-155xxxx | 1.0/2.3 Str Plug | HD-BNC Str Plug | Belden 1855A | 75 |

1.0/2.3 to BNC

| Part Number | Side 1 | Side 2 | Cable | Impedance |
|-----------------|------------------|--------------|--------|-----------|
| 095-850-201xxxx | 1.0/2.3 Str Plug | BNC Str Plug | RG-179 | 75 |

[VIEW ALL 1.0/2.3 CABLE ASSEMBLIES](#)

AMC ASSEMBLIES

AMC to AMC

| Part Number | Side 1 | Side 2 | Cable | Impedance |
|-----------------|--------------------------|--------------------------|---------|-----------|
| A-1PA-132-xxxxx | AMC R/A Plug | AMC R/A Plug | 1.32 mm | 50 |
| A-1PA-081-xxxxx | AMC R/A Plug | AMC R/A Plug | 0.81 mm | 50 |
| A-1PA-113-xxxxx | AMC R/A Plug | AMC R/A Plug | 1.13 mm | 50 |
| A-1PA-137-xxxxx | AMC R/A Plug | AMC R/A Plug | 1.37 mm | 50 |
| A-1PA-178-xxxxx | AMC R/A Plug | AMC R/A Plug | RG-178 | 50 |
| A-1PL-081-xxxxx | Low Profile AMC R/A Plug | Low Profile AMC R/A Plug | 0.81 mm | 50 |

AMC to FAKRA

| Part Number | Side 1 | Side 2 | Cable | Impedance |
|-----------------|--------------|---------------------------|---------|-----------|
| 095-820-109xxxx | AMC R/A Plug | FAKRA Str Blkhd Plug IP67 | 1.37 mm | 50 |

AMC to MCX

| Part Number | Side 1 | Side 2 | Cable | Impedance |
|----------------|--------------|--------------------|---------|-----------|
| 336503-12-xxxx | AMC R/A Plug | MCX Str Blkhd Jack | 1.13 mm | 50 |
| 336503-13-xxxx | AMC R/A Plug | MCX Str Blkhd Jack | 1.32 mm | 50 |
| 336503-14-xxxx | AMC R/A Plug | MCX Str Blkhd Jack | 1.37 mm | 50 |
| 336503-08-xxxx | AMC R/A Plug | MCX Str Blkhd Jack | RG-178 | 50 |

AMC to N-Type

| Part Number | Side 1 | Side 2 | Cable | Impedance |
|-----------------|--------------|-----------------------|--------|-----------|
| 095-909-155xxxx | AMC R/A Plug | N-Type Str Blkhd Jack | RG-178 | 50 |

AMC to SMA

| Part Number | Side 1 | Side 2 | Cable | Impedance |
|-----------------|--------------|-------------------------|---------|-----------|
| 095-902-492xxxx | AMC R/A Plug | SMA R/A PCB Jack | 1.13 mm | 50 |
| 336313-12-xxxx | AMC R/A Plug | SMA Str Blkhd Jack | 1.13 mm | 50 |
| 336320-12-xxxx | AMC R/A Plug | SMA Str Blkhd Jack IP67 | 1.13 mm | 50 |
| 336313-13-xxxx | AMC R/A Plug | SMA Str Blkhd Jack | 1.32 mm | 50 |
| 336313-14-xxxx | AMC R/A Plug | SMA Str Blkhd Jack | 1.37 mm | 50 |
| 336319-12-xxxx | AMC R/A Plug | SMA Str Blkhd Jack IP67 | 1.13 mm | 50 |
| 336314-12-xxxx | AMC R/A Plug | SMA Str Blkhd Jack RP | 1.13 mm | 50 |
| 336314-13-xxxx | AMC R/A Plug | SMA Str Blkhd Jack RP | 1.32 mm | 50 |
| 336314-14-xxxx | AMC R/A Plug | SMA Str Blkhd Jack RP | 1.37 mm | 50 |

FIXED LENGTH CABLE ASSEMBLIES

AMC to Underterminated Blunt Cut

| Part Number | Side 1 | Side 2 | Cable | Impedance |
|-----------------|--------------|---------------------------|---------|-----------|
| 095-666-50056-x | AMC R/A Plug | Underterminated Blunt Cut | 1.13 mm | 50 |

AMC to TNC

| Part Number | Side 1 | Side 2 | Cable | Impedance |
|----------------|--------------|----------------------------|---------|-----------|
| 336203-12-xxxx | AMC R/A Plug | TNC Str Blkhd Jack | 1.13 mm | 50 |
| 336206-12-xxxx | AMC R/A Plug | TNC Str Blkhd Jack RP | 1.13 mm | 50 |
| 336209-13-xxxx | AMC R/A Plug | TNC Str Blkhd Jack | 1.32 mm | 50 |
| 336209-12-xxxx | AMC R/A Plug | TNC Str Blkhd Jack IP67 | 1.13 mm | 50 |
| 336212-12-xxxx | AMC R/A Plug | TNC Str Blkhd Jack IP67 RP | 1.13 mm | 50 |
| 336206-14-xxxx | AMC R/A Plug | TNC Str Blkhd Jack RP | 1.37 mm | 50 |

[VIEW ALL AMC CABLE ASSEMBLIES](#)

AMC4 ASSEMBLIES

AMC4 to SMA

| Part Number | Side 1 | Side 2 | Cable | Impedance |
|-----------------|---------------|----------------------------|---------|-----------|
| 095-902-488xxxx | AMC4 R/A Plug | SMA Str Blkhd Jack | 1.13 mm | 50 |
| 095-902-501xxxx | AMC4 R/A Plug | SMA Str Blkhd Jack RP | 1.13 mm | 50 |
| 095-902-502xxxx | AMC4 R/A Plug | SMA Str Blkhd Jack IP67 | 1.13 mm | 50 |
| 095-902-503xxxx | AMC4 R/A Plug | SMA Str Blkhd Jack RP IP67 | 1.13 mm | 50 |

[VIEW ALL AMC4 CABLE ASSEMBLIES](#)

AMMC ASSEMBLIES

AMMC to AMMC

| Part Number | Side 1 | Side 2 | Cable | Impedance |
|-----------------|---------------|---------------|---------|-----------|
| A-2PA-113-xxxxx | AMMC R/A Plug | AMMC R/A Plug | 1.13 mm | 50 |
| A-2PA-081-xxxxx | AMMC R/A Plug | AMMC R/A Plug | 0.81 mm | 50 |

[VIEW ALL AMMC CABLE ASSEMBLIES](#)

BNC ASSEMBLIES

BNC to 1.0/2.3

| Part Number | Side 1 | Side 2 | Cable | Impedance |
|-----------------|--------------|------------------|--------|-----------|
| 095-850-201xxxx | BNC Str Plug | 1.0/2.3 Str Plug | RG-179 | 75 |

BNC to HD-BNC

| Part Number | Side 1 | Side 2 | Cable | Impedance |
|-----------------|--------------|-----------------|--------------|-----------|
| 095-666-44883-x | BNC Str Jack | HD-BNC Str Plug | Belden 1855A | 75 |
| 095-666-44882-x | BNC Str Jack | HD-BNC Str Plug | Belden 1694A | 75 |
| 095-850-192xxxx | BNC Str Jack | HD-BNC Str Plug | Belden 4794R | 75 |
| 095-850-193xxxx | BNC Str Jack | HD-BNC Str Plug | Belden 4855R | 75 |
| 095-850-162xxxx | BNC Str Plug | HD-BNC Str Plug | Belden 1505A | 75 |
| 095-850-215xxxx | BNC Str Jack | HD-BNC Str Plug | Belden 4505R | 75 |
| 095-850-216xxxx | BNC Str Jack | HD-BNC Str Plug | Belden 4694R | 75 |
| 095-850-131xxxx | BNC Str Plug | HD-BNC Str Plug | Belden 1694A | 75 |
| 095-850-189xxxx | BNC Str Plug | HD-BNC Str Plug | Belden 4855R | 75 |
| 095-850-130xxxx | BNC Str Jack | HD-BNC Str Plug | Belden 1855A | 75 |
| 095-850-217xxxx | BNC Str Plug | HD-BNC Str Plug | Belden 4505R | 75 |
| 095-850-218xxxx | BNC Str Plug | HD-BNC Str Plug | Belden 4694R | 75 |

FIXED LENGTH CABLE ASSEMBLIES

BNC to SMA

| Part Number | Side 1 | Side 2 | Cable | Impedance |
|----------------|--------------|--------------|--------|-----------|
| 245101-07-xxxx | BNC Str Plug | SMA Str Plug | RG-142 | 50 |
| 245101-01-xxxx | BNC Str Plug | SMA Str Plug | RG-316 | 50 |
| 245101-04-xxxx | BNC Str Plug | SMA Str Plug | RG-58 | 50 |

BNC to SMB

| Part Number | Side 1 | Side 2 | Cable | Impedance |
|----------------|--------------|---------------------|--------|-----------|
| 245103-02-xxxx | BNC Str Plug | SMB 50 Ohm R/A Plug | RG-174 | 50 |

BNC to BNC

| Part Number | Side 1 | Side 2 | Cable | Impedance |
|-----------------|--------------|--------------|--------------|-----------|
| 115103-15-xxxxx | BNC Str Plug | BNC R/A Plug | RG-59 | 75 |
| 095-850-165xxxx | BNC Str Plug | BNC Str Plug | Belden 1505A | 75 |
| 095-850-166xxxx | BNC Str Plug | BNC Str Plug | Belden 1694A | 75 |
| 115101-35-xxxxx | BNC Str Plug | BNC Str Plug | Belden 179DT | 75 |
| 095-850-164xxxx | BNC Str Plug | BNC Str Plug | Belden 1855A | 75 |
| 095-850-186xxxx | BNC Str Plug | BNC Str Plug | Belden 4794R | 75 |
| 095-850-187xxxx | BNC Str Plug | BNC Str Plug | Belden 4855R | 75 |
| 115101-06-xxxxx | BNC Str Plug | BNC Str Plug | Belden 8218 | 75 |
| 115101-30-xxxxx | BNC Str Plug | BNC Str Plug | LMR-100 | 50 |
| 115101-22-xxxxx | BNC Str Plug | BNC Str Plug | LMR-240 | 50 |
| 115101-07-xxxxx | BNC Str Plug | BNC Str Plug | RG-142 | 50 |
| 115101-02-xxxxx | BNC Str Plug | BNC Str Plug | RG-174 | 50 |
| 115101-05-xxxxx | BNC Str Plug | BNC Str Plug | RG-179 | 75 |
| 115101-01-xxxxx | BNC Str Plug | BNC Str Plug | RG-316 | 50 |
| 115101-19-xxxxx | BNC Str Plug | BNC Str Plug | RG-58 | 50 |
| 115101-20-xxxxx | BNC Str Plug | BNC Str Plug | RG-59 | 75 |
| 115104-15-xxxxx | BNC R/A Plug | BNC R/A Plug | RG-59 | 75 |
| 115103-04-xxxxx | BNC Str Plug | BNC R/A Plug | RG-58 | 50 |
| 115103-15-xxxxx | BNC Str Plug | BNC R/A Plug | RG-59 | 75 |

[VIEW ALL BNC CABLE ASSEMBLIES](#)

HD-BNC ASSEMBLIES

HD-BNC to 1.0/2.3

| Part Number | Side 1 | Side 2 | Cable | Impedance |
|-----------------|-----------------|------------------|--------------|-----------|
| 095-850-156xxxx | HD-BNC Str Plug | 1.0/2.3 Str Plug | Belden 1505A | 75 |
| 095-850-157xxxx | HD-BNC Str Plug | 1.0/2.3 Str Plug | Belden 1694A | 75 |
| 095-850-155xxxx | HD-BNC Str Plug | 1.0/2.3 Str Plug | Belden 1855A | 75 |

HD-BNC to HD-BNC

| Part Number | Side 1 | Side 2 | Cable | Impedance |
|-----------------|-----------------|-----------------|--------------|-----------|
| 095-850-159xxxx | HD-BNC Str Plug | HD-BNC Str Plug | Belden 1505A | 75 |
| 095-850-160xxxx | HD-BNC Str Plug | HD-BNC Str Plug | Belden 1694A | 75 |
| 095-850-158xxxx | HD-BNC Str Plug | HD-BNC Str Plug | Belden 1855A | 75 |
| 095-850-214xxxx | HD-BNC Str Plug | HD-BNC Str Plug | Belden 4794R | 75 |
| 095-850-188xxxx | HD-BNC Str Plug | HD-BNC Str Plug | Belden 4855R | 75 |
| 095-850-185xxxx | HD-BNC Str Plug | HD-BNC Str Plug | RG-316 | 50 |

FIXED LENGTH CABLE ASSEMBLIES

HD-BNC to BNC

| Part Number | Side 1 | Side 2 | Cable | Impedance |
|-----------------|-----------------|--------------|--------------|-----------|
| 095-666-44883-x | HD-BNC Str Plug | BNC Str Jack | Belden 1855A | 75 |
| 095-666-44882-x | HD-BNC Str Plug | BNC Str Jack | Belden 1694A | 75 |
| 095-850-215xxxx | HD-BNC Str Plug | BNC Str Jack | Belden 4505R | 75 |
| 095-850-216xxxx | HD-BNC Str Plug | BNC Str Jack | Belden 4694R | 75 |
| 095-850-192xxxx | HD-BNC Str Plug | BNC Str Jack | Belden 4794R | 75 |
| 095-850-193xxxx | HD-BNC Str Plug | BNC Str Jack | Belden 4855R | 75 |
| 095-850-162xxxx | HD-BNC Str Plug | BNC Str Plug | Belden 1505A | 75 |
| 095-850-131xxxx | HD-BNC Str Plug | BNC Str Plug | Belden 1694A | 75 |
| 095-850-130xxxx | HD-BNC Str Plug | BNC Str Plug | Belden 1855A | 75 |
| 095-850-217xxxx | HD-BNC Str Plug | BNC Str Plug | Belden 4505R | 75 |
| 095-850-218xxxx | HD-BNC Str Plug | BNC Str Plug | Belden 4694R | 75 |
| 095-850-189xxxx | HD-BNC Str Plug | BNC Str Plug | Belden 4855R | 75 |

[VIEW ALL HD-BNC CABLE ASSEMBLIES](#)

FAKRA ASSEMBLIES

FAKRA TO AMC

| Part Number | Side 1 | Side 2 | Cable | Impedance |
|-----------------|---------------------------|--------------|---------|-----------|
| 095-820-109xxxx | FAKRA Str Blkhd Plug IP67 | AMC R/A Plug | 1.37 mm | 50 |

[VIEW ALL FAKRA CABLE ASSEMBLIES](#)

MCX ASSEMBLIES

MCX to MCX

| Part Number | Side 1 | Side 2 | Cable | Impedance |
|-----------------|--------------|--------------------|-----------|-----------|
| 255104-08-xxxxx | MCX R/A Plug | MCX R/A Plug | RG-178 | 50 |
| 255104-01-xxxxx | MCX R/A Plug | MCX R/A Plug | RG-316 | 50 |
| 255104-03-xxxxx | MCX R/A Plug | MCX R/A Plug | RG-316 DB | 50 |
| 255103-01-xxxxx | MCX Str Plug | MCX R/A Plug | RG-316 | 50 |
| 255110-01-xxxxx | MCX Str Plug | MCX Str Blkhd Jack | RG-316 | 50 |
| 255101-08-xxxxx | MCX Str Plug | MCX Str Plug | RG-178 | 50 |
| 255101-05-xxxxx | MCX Str Plug | MCX Str Plug | RG-179 | 75 |
| 255101-01-xxxxx | MCX Str Plug | MCX Str Plug | RG-316 | 50 |

MCX to SMA

| Part Number | Side 1 | Side 2 | Cable | Impedance |
|-----------------|--------------|--------------------|--------|-----------|
| 245130-01-xxxxx | MCX R/A Plug | SMA Str Blkhd Jack | RG-316 | 50 |

MCX to AMC

| Part Number | Side 1 | Side 2 | Cable | Impedance |
|-----------------|--------------------|--------------|---------|-----------|
| 336503-12-xxxxx | MCX Str Blkhd Jack | AMC R/A Plug | 1.13 mm | 50 |
| 336503-13-xxxxx | MCX Str Blkhd Jack | AMC R/A Plug | 1.32 mm | 50 |
| 336503-14-xxxxx | MCX Str Blkhd Jack | AMC R/A Plug | 1.37 mm | 50 |
| 336503-08-xxxxx | MCX Str Blkhd Jack | AMC R/A Plug | RG-178 | 50 |

[VIEW ALL MCX CABLE ASSEMBLIES](#)

FIXED LENGTH CABLE ASSEMBLIES

MINI-SMB ASSEMBLIES

| Mini-SMB to Mini-SMB | | | | |
|----------------------|--------------------------|--------------------------|-----------|-----------|
| Part Number | Side 1 | Side 2 | Cable | Impedance |
| 145104-05-xxxxx | Mini-SMB 75 Ohm R/A Plug | Mini-SMB 75 Ohm R/A Plug | RG-179 | 75 |
| 145111-05-xxxxx | Mini-SMB 75 Ohm R/A Plug | Mini-SMB 75 Ohm Str Plug | RG-179 | 75 |
| 145103-18-xxxxx | Mini-SMB 75 Ohm Str Plug | Mini-SMB 75 Ohm R/A Plug | RG-179 DB | 75 |
| 145101-05-xxxxx | Mini-SMB 75 Ohm Str Plug | Mini-SMB 75 Ohm Str Plug | RG-179 | 75 |
| 145101-18-xxxxx | Mini-SMB 75 Ohm Str Plug | Mini-SMB 75 Ohm Str Plug | RG-179 DB | 75 |

[VIEW ALL MINI-SMB CABLE ASSEMBLIES](#)

MMCX ASSEMBLIES

| MMCX to MMCX | | | | |
|-----------------|---------------|---------------|--------|-----------|
| Part Number | Side 1 | Side 2 | Cable | Impedance |
| 265104-08-xxxxx | MMCX R/A Plug | MMCX R/A Plug | RG-178 | 50 |
| 265104-01-xxxxx | MMCX R/A Plug | MMCX R/A Plug | RG-316 | 50 |
| 265103-08-xxxxx | MMCX Str Plug | MMCX R/A Plug | RG-178 | 50 |
| 265103-01-xxxxx | MMCX Str Plug | MMCX R/A Plug | RG-316 | 50 |
| 265101-08-xxxxx | MMCX Str Plug | MMCX Str Plug | RG-178 | 50 |

| MMCX to SMA | | | | |
|-----------------|---------------|-----------------------|--------|-----------|
| Part Number | Side 1 | Side 2 | Cable | Impedance |
| 245108-02-xxxxx | MMCX R/A Plug | SMA R/A Blkhd Jack | RG-174 | 50 |
| 245108-01-xxxxx | MMCX R/A Plug | SMA R/A Blkhd Jack | RG-316 | 50 |
| 245106-02-xxxxx | MMCX R/A Plug | SMA Str Blkhd Jack | RG-174 | 50 |
| 245106-01-xxxxx | MMCX R/A Plug | SMA Str Blkhd Jack | RG-316 | 50 |
| 245102-08-xxxxx | MMCX R/A Plug | SMA Str Blkhd Jack RP | RG-178 | 50 |
| 095-902-485xxx | MMCX R/A Plug | SMA Str Plug | RG-316 | 50 |
| 265101-01-xxxxx | MMCX R/A Plug | MMCX Str Plug | RG-316 | 50 |
| 245105-02-xxxxx | MMCX Str Plug | SMA R/A Blkhd Jack | RG-174 | 50 |
| 245107-02-xxxxx | MMCX Str Plug | SMA Str Blkhd Jack | RG-174 | 50 |

[VIEW ALL MMCX CABLE ASSEMBLIES](#)

N-TYPE ASSEMBLIES

| N-Type to AMC | | | | |
|-----------------|-----------------------|--------------|--------|-----------|
| Part Number | Side 1 | Side 2 | Cable | Impedance |
| 095-909-155xxxx | N-Type Str Blkhd Jack | AMC R/A Plug | RG-178 | 50 |

| N-Type to N-Type | | | | |
|------------------|-----------------|-----------------|-------------------|-----------|
| Part Number | Side 1 | Side 2 | Cable | Impedance |
| 175101-R1-xxxxx | N-Type Str Plug | N-Type Str Plug | Conformable 0.085 | 50 |
| 175101-R2-xxxxx | N-Type Str Plug | N-Type Str Plug | Conformable 0.141 | 50 |
| 175101-21-xxxxx | N-Type Str Plug | N-Type Str Plug | LMR-195 | 50 |
| 175101-17-xxxxx | N-Type Str Plug | N-Type Str Plug | LMR-200 | 50 |
| 175101-22-xxxxx | N-Type Str Plug | N-Type Str Plug | LMR-240 | 50 |
| 175101-10-xxxxx | N-Type Str Plug | N-Type Str Plug | LMR-400 | 50 |
| 175101-07-xxxxx | N-Type Str Plug | N-Type Str Plug | RG-142 | 50 |
| 175101-19-xxxxx | N-Type Str Plug | N-Type Str Plug | RG-58 | 50 |

[VIEW ALL N-TYPE CABLE ASSEMBLIES](#)

FIXED LENGTH CABLE ASSEMBLIES

PROBE ASSEMBLIES

| Probe to SMA | | | | |
|------------------|----------------|--------------------|---------|-----------|
| Part Number | Side 1 | Side 2 | Cable | Impedance |
| 095-668-45097 | Probe R/A Plug | SMA Str Plug | RG-178 | 50 |
| 095-668-45069-x | Probe R/A Plug | SMA Str Blkhd Jack | RG-178 | 50 |
| 095-902-4-27xxxx | Probe R/A Plug | SMA Str Plug | 1.5D-2V | 50 |

[VIEW ALL PROBE CABLE ASSEMBLIES](#)

SMA ASSEMBLIES

| SMA to AMC | | | | |
|-----------------|-------------------------|--------------|---------|-----------|
| Part Number | Side 1 | Side 2 | Cable | Impedance |
| 095-902-492xxxx | SMA R/A PCB Jack | AMC R/A Plug | 1.13 mm | 50 |
| 336313-12-xxxx | SMA Str Blkhd Jack | AMC R/A Plug | 1.13 mm | 50 |
| 336320-12-xxxx | SMA Str Blkhd Jack IP67 | AMC R/A Plug | 1.13 mm | 50 |
| 336313-13-xxxxx | SMA Str Blkhd Jack | AMC R/A Plug | 1.32 mm | 50 |
| 336313-14-xxxxx | SMA Str Blkhd Jack | AMC R/A Plug | 1.37 mm | 50 |
| 336319-12-xxxxx | SMA Str Blkhd Jack IP67 | AMC R/A Plug | 1.13 mm | 50 |
| 336314-12-xxxxx | SMA Str Blkhd Jack RP | AMC R/A Plug | 1.13 mm | 50 |
| 336314-13-xxxxx | SMA Str Blkhd Jack RP | AMC R/A Plug | 1.32 mm | 50 |
| 336314-14-xxxxx | SMA Str Blkhd Jack RP | AMC R/A Plug | 1.37 mm | 50 |

| SMA to AMC4 | | | | |
|-----------------|-------------------------|---------------|---------|-----------|
| Part Number | Side 1 | Side 2 | Cable | Impedance |
| 095-902-488xxxx | SMA Str Blkhd Jack | AMC4 R/A Plug | 1.13 mm | 50 |
| 095-902-501xxxx | SMA Str Blkhd Jack RP | AMC4 R/A Plug | 1.13 mm | 50 |
| 095-902-502xxxx | SMA Str Blkhd Jack IP67 | AMC4 R/A Plug | 1.13 mm | 50 |
| 095-902-503xxxx | SMA Str Blkhd Jack IP67 | AMC4 R/A Plug | 1.13 mm | 50 |

| SMA to MCX | | | | |
|-----------------|--------------------|--------------|--------|-----------|
| Part Number | Side 1 | Side 2 | Cable | Impedance |
| 245130-01-xxxxx | SMA Str Blkhd Jack | MCX R/A Plug | RG-316 | 50 |

| SMA to MMCX | | | | |
|-----------------|--------------------|---------------|--------|-----------|
| Part Number | Side 1 | Side 2 | Cable | Impedance |
| 245108-02-xxxxx | SMA R/A Blkhd Jack | MMCX R/A Plug | RG-174 | 50 |
| 245108-01-xxxxx | SMA R/A Blkhd Jack | MMCX R/A Plug | RG-316 | 50 |
| 245105-02-xxxxx | SMA R/A Blkhd Jack | MMCX Str Plug | RG-174 | 50 |
| 245106-02-xxxxx | SMA Str Blkhd Jack | MMCX R/A Plug | RG-174 | 50 |
| 245106-01-xxxxx | SMA Str Blkhd Jack | MMCX R/A Plug | RG-316 | 50 |
| 095-902-485xxx | SMA Str Plug | MMCX R/A Plug | RG-316 | 50 |
| 245105-02-xxxxx | SMA R/A Blkhd Jack | MMCX Str Plug | RG-174 | 50 |
| 245107-02-xxxxx | SMA R/A Blkhd Jack | MMCX Str Plug | RG-174 | 50 |

| SMA to Probe | | | | |
|-----------------|--------------------|----------------|---------|-----------|
| Part Number | Side 1 | Side 2 | Cable | Impedance |
| 095-668-45097 | SMA Str Plug | Probe R/A Plug | RG-178 | 50 |
| 095-668-45069 | SMA Str Blkhd Jack | Probe R/A Plug | RG-178 | 50 |
| 095-902-427xxxx | SMA Str Plug | Probe R/A Plug | 1.5D-2V | 50 |

FIXED LENGTH CABLE ASSEMBLIES

SMA to SMA

| Part Number | Side 1 | Side 2 | Cable | Impedance |
|-----------------|--------------------|--------------------|-------------------|-----------|
| 135104-R1-xxxxx | SMA R/A Plug | SMA R/A Plug | Conformable 0.085 | 50 |
| 095-902-478xxxx | SMA R/A Plug | SMA R/A Plug | LMR-195 | 50 |
| 095-902-482xxxx | SMA R/A Plug | SMA R/A Plug | LMR-240 | 50 |
| 135104-07-xxxxx | SMA R/A Plug | SMA R/A Plug | RG-142 | 50 |
| 135104-02-xxxxx | SMA R/A Plug | SMA R/A Plug | RG-174 | 50 |
| 135104-01-xxxxx | SMA R/A Plug | SMA R/A Plug | RG-316 | 50 |
| 135104-03-xxxxx | SMA R/A Plug | SMA R/A Plug | RG-316 DB | 50 |
| 135104-04-xxxxx | SMA R/A Plug | SMA R/A Plug | RG-58 | 50 |
| 135107-04-xxxxx | SMA R/A Plug | SMA Str Jack | RG-58 | 50 |
| 135103-08-xxxxx | SMA R/A Plug | SMA Str Plug | RG-178 | 50 |
| 095-902-476xxxx | SMA Str Plug | SMA R/A Plug | LMR-195 | 50 |
| 095-902-480xxxx | SMA Str Plug | SMA R/A Plug | LMR-240 | 50 |
| 135103-07-xxxxx | SMA Str Plug | SMA R/A Plug | RG-142 | 50 |
| 135103-02-xxxxx | SMA Str Plug | SMA R/A Plug | RG-174 | 50 |
| 135103-01-xxxxx | SMA Str Plug | SMA R/A Plug | RG-316 | 50 |
| 135103-03-xxxxx | SMA Str Plug | SMA R/A Plug | RG-316 DB | 50 |
| 135103-04-xxxxx | SMA Str Plug | SMA R/A Plug | RG-58 | 50 |
| 095-902-477xxxx | SMA Str Plug | SMA Str Blkhd Jack | LMR-195 | 50 |
| 095-902-481xxxx | SMA Str Plug | SMA Str Blkhd Jack | LMR-240 | 50 |
| 095-902-449xxxx | SMA Str Plug | SMA Str Plug | Conformable 0.085 | 50 |
| 135101-R1-xxxxx | SMA Str Plug | SMA Str Plug | Conformable 0.085 | 50 |
| 135106-R1-xxxxx | SMA Str Plug | SMA Str Jack | Conformable 0.085 | 50 |
| 095-902-450xxxx | SMA Str Plug | SMA Str Plug | Conformable 0.141 | 50 |
| 135101-R2-xxxxx | SMA Str Plug | SMA Str Plug | Conformable 0.141 | 50 |
| 095-902-475xxxx | SMA Str Plug | SMA Str Plug | LMR-195 | 50 |
| 095-902-479xxxx | SMA Str Plug | SMA Str Plug | LMR-240 | 50 |
| 135101-07-xxxxx | SMA Str Plug | SMA Str Plug | RG-142 | 50 |
| 135101-02-xxxxx | SMA Str Plug | SMA Str Plug | RG-174 | 50 |
| 135101-01-xxxxx | SMA Str Plug | SMA Str Plug | RG-316 | 50 |
| 135101-03-xxxxx | SMA Str Plug | SMA Str Plug | RG-316 DB | 50 |
| 135101-04-xxxxx | SMA Str Plug | SMA Str Plug | RG-58 | 50 |
| 095-902-451xxxx | SMA Str Plug | SMA Str Plug | Tflex 405 | 50 |
| 135108-04-xxxxx | SMA Str Jack | SMA Str Jack | RG-58 | 50 |
| 135111-07-xxxxx | SMA Str Blkhd Jack | SMA R/A Plug | RG-142 | 50 |
| 135111-02-xxxxx | SMA Str Blkhd Jack | SMA R/A Plug | RG-174 | 50 |
| 135111-01-xxxxx | SMA Str Blkhd Jack | SMA R/A Plug | RG-316 | 50 |
| 135111-03-xxxxx | SMA Str Blkhd Jack | SMA R/A Plug | RG-316 DB | 50 |
| 135111-04-xxxxx | SMA Str Blkhd Jack | SMA R/A Plug | RG-58 | 50 |
| 135110-07-xxxxx | SMA Str Blkhd Jack | SMA Str Plug | RG-142 | 50 |
| 135110-02-xxxxx | SMA Str Blkhd Jack | SMA Str Plug | RG-174 | 50 |
| 135110-01-xxxxx | SMA Str Blkhd Jack | SMA Str Plug | RG-316 | 50 |
| 135110-03-xxxxx | SMA Str Blkhd Jack | SMA Str Plug | RG-316 DB | 50 |
| 135110-04-xxxxx | SMA Str Blkhd Jack | SMA Str Plug | RG-58 | 50 |

FIXED LENGTH CABLE ASSEMBLIES

SMA to SMP

| Part Number | Side 1 | Side 2 | Cable | Impedance |
|-----------------|--------------|--------------|-----------|-----------|
| 095-902-459xxxx | SMA Str Plug | SMP Str Plug | Tflex 405 | 50 |

SMA to Underterminated

| Part Number | Side 1 | Side 2 | Cable | Impedance |
|-----------------|--------------|---------------------------|-------------------|-----------|
| 095-902-462xxxx | SMA Str Jack | Underterminated Blunt Cut | Conformable 0.047 | 50 |
| 095-902-463xxxx | SMA Str Jack | Underterminated Blunt Cut | Conformable 0.085 | 50 |
| 135100-01-xxxxx | SMA Str Plug | Underterminated Blunt Cut | RG-316 | 50 |

SMA to BNC

| Part Number | Side 1 | Side 2 | Cable | Impedance |
|-----------------|--------------|--------------|--------|-----------|
| 245101-07-xxxxx | SMA Str Plug | BNC Str Plug | RG-142 | 50 |
| 245101-01-xxxxx | SMA Str Plug | BNC Str Plug | RG-316 | 50 |
| 245101-04-xxxxx | SMA Str Plug | BNC Str Plug | RG-58 | 50 |

[VIEW ALL SMA CABLE ASSEMBLIES](#)

SMB ASSEMBLIES

SMB to BNC

| Part Number | Side 1 | Side 2 | Cable | Impedance |
|-----------------|---------------------|--------------|--------|-----------|
| 245103-02-xxxxx | SMB 50 Ohm R/A Plug | BNC Str Plug | RG-174 | 50 |

SMB to SMB

| Part Number | Side 1 | Side 2 | Cable | Impedance |
|-----------------|---------------------|---------------------|--------|-----------|
| 145104-08-xxxxx | SMB 50 Ohm R/A Plug | SMB 50 Ohm R/A Plug | RG-178 | 50 |
| 145104-01-xxxxx | SMB 50 Ohm R/A Plug | SMB 50 Ohm R/A Plug | RG-316 | 50 |
| 145103-08-xxxxx | SMB 50 Ohm R/A Plug | SMB 50 Ohm Str Plug | RG-178 | 50 |
| 145103-01-xxxxx | SMB 50 Ohm Str Plug | SMB 50 Ohm R/A Plug | RG-316 | 50 |
| 145101-01-xxxxx | SMB 50 Ohm Str Plug | SMB 50 Ohm Str Plug | RG-316 | 50 |

[VIEW ALL SMB CABLE ASSEMBLIES](#)

SMP ASSEMBLIES

SMP to SMP

| Part Number | Side 1 | Side 2 | Cable | Impedance |
|-----------------|--------------|--------------|-------------------|-----------|
| 095-725-107xxxx | SMP Str Plug | SMP Str Plug | Tflex 405 | 50 |
| 095-725-108xxxx | SMP Str Plug | SMP Str Plug | Conformable 0.085 | 50 |

SMP to SMA

| Part Number | Side 1 | Side 2 | Cable | Impedance |
|-----------------|--------------|--------------|-----------|-----------|
| 095-902-459xxxx | SMP Str Plug | SMA Str Plug | Tflex 405 | 50 |

[VIEW ALL SMP CABLE ASSEMBLIES](#)

SMPM ASSEMBLIES

SMPM to SMPM

| Part Number | Side 1 | Side 2 | Cable | Impedance |
|-----------------|---------------|---------------|-------------------|-----------|
| 095-725-112xxxx | SMPM Str Plug | SMPM Str Plug | Conformable 0.047 | 75 |
| 095-725-111xxxx | SMPM Str Plug | SMPM Str Plug | Conformable 0.085 | 50 |

[VIEW ALL SMPM CABLE ASSEMBLIES](#)

FIXED LENGTH CABLE ASSEMBLIES

TNC ASSEMBLIES

| TNC to AMC | | | | |
|-----------------|----------------------------|--------------|---------|-----------|
| Part Number | Side 1 | Side 2 | Cable | Impedance |
| 336203-12-xxxxx | TNC Str Blkhd Jack | AMC R/A Plug | 1.13 mm | 50 |
| 336209-13-xxxxx | TNC Str Blkhd Jack | AMC R/A Plug | 1.32 mm | 50 |
| 336209-12-xxxxx | TNC Str Blkhd Jack IP67 | AMC R/A Plug | 1.13 mm | 50 |
| 336212-12-xxxxx | TNC Str Blkhd Jack IP67 RP | AMC R/A Plug | 1.13 mm | 50 |
| 336206-14-xxxxx | TNC Str Blkhd Jack RP | AMC R/A Plug | 1.37 mm | 50 |
| 336206-12-xxxxx | TNC Str Blkhd Jack RP | AMC R/A Plug | 1.13 mm | 50 |

[VIEW ALL TNC CABLE ASSEMBLIES](#)

UNTERMINATED ASSEMBLIES

| Unterminated to AMC | | | | |
|---------------------|------------------------|--------------|---------|-----------|
| Part Number | Side 1 | Side 2 | Cable | Impedance |
| 095-666-50056-x | Unterminated Blunt Cut | AMC R/A Plug | 1.13 mm | 50 |

| Unterminated to SMA | | | | |
|---------------------|------------------------|--------------|-------------------|-----------|
| Part Number | Side 1 | Side 2 | Cable | Impedance |
| 095-902-462xxxx | Unterminated Blunt Cut | SMA Str Jack | Conformable 0.047 | 50 |
| 095-902-463xxxx | Unterminated Blunt Cut | SMA Str Jack | Conformable 0.085 | 50 |
| 135100-01-xxxx | Unterminated Blunt Cut | SMA Str Plug | RG-316 | 50 |

[VIEW ALL UNTERMINATED CABLE ASSEMBLIES](#)

COAXIAL ADAPTERS

Click on the ● to view all adapters in this category

| | 1.0/2.3 | 4.1/9.5 | 4.3/10 | 7/16 | AFI | AMC | BNC | C-TYPE | FAKRA | FME | F-TYPE | G-TYPE | HD-BNC | HN-TYPE | MCX | MHV | MINI-SMB | MINI-UHF | MMCX | N-TYPE | PRECISION | PSMP | QMA | RP-N-TYPE | RP-SMA | RP-SMB | RP-TNC | SMA | SMB | SMC | SMP | SMPM | SSMA | SSMB | TNC | TRIAx | TWINAX | UHF | | |
|-----------|---------|---------|--------|------|-----|-----|-----|--------|-------|-----|--------|--------|--------|---------|-----|-----|----------|----------|------|--------|-----------|------|-----|-----------|--------|--------|--------|-----|-----|-----|-----|------|------|------|-----|-------|--------|-----|---|--|
| 1.0/2.3 | | | | | | | ● | | | | | | ● | | | | | | | ● | | | | | | | | ● | | | | | | | | | | | | |
| 4.1/9.5 | | | | ● | | | | | | | | | | | | | | | | ● | ● | | | | | | | | | | | | | | | | | | | |
| 4.3/10 | | | ● | ● | | | | | | | | | | | | | | | | ● | ● | | | | | | | | ● | | | | | | | | | | | |
| 7/16 | | ● | ● | ● | | | | | | | | | | | | | | | | ● | ● | | | | | | | | ● | | | | | | | | | | | |
| AFI | | | | | ● | | | | | | | | | | | | | | | | | | | | | | | | ● | | | | | | | | | | | |
| AMC | | | | | | | ● | | | | | | | | | | | | ● | ● | | | | | ● | | | | ● | | | | | | | ● | | | | |
| BNC | ● | | | | | ● | ● | | ● | ● | | ● | | ● | ● | | | | | | ● | | | | | | | ● | | | | | | | | ● | | ● | | |
| C-Type | | | | | | | | | | | | | | | | | | | | ● | | | | | | | | | | | | | | | | | | | | |
| FAKRA | | | | | | | | | | | | | | | | | | | | | | | | | | | ● | | | | | | | | | | | | | |
| FME | | | | | | | ● | | ● | | | | | | | | | | | ● | ● | | | | | | | ● | | | | | | | | ● | | ● | | |
| F-Type | | | | | | | ● | | | | ● | | | | | | | | | ● | ● | | | | | | | | | ● | | | | | | | | | | |
| G-Type | | | | | | | | | | | | ● | | | | | | | | | | | | | | | | | | | | | | | | | | | | |
| HD-BNC | ● | | | | | | ● | | | | | | ● | | | | | | | ● | ● | | | | | | | ● | | | | | | | | | | | | |
| HN-Type | | | | | | | | | | | | | | ● | | | | | | | ● | | | | | | | | | | | | | | | | | | | |
| MCX | | | | | | | ● | | | | | | | | ● | | | | | ● | ● | | | | | | | ● | | | | | | | | ● | | | | |
| MHV | | | | | | | | | | | | | | | | ● | | | | | | | | | | | | | | | | | | | | | | | | |
| Mini-SMB | | | | | | | | | | | | | | | | | ● | | | | | | | | | | | | | | | | | | | | | | | |
| Mini-UHF | | | | | | | | | | | | | | | | | | | | | | | | | | | | ● | | | | | | | | ● | | ● | | |
| MMCX | | | | | | | ● | | | | | | | | | | | | | ● | ● | | | | ● | | | ● | | ● | | | | | | | | | | |
| N-Type | ● | ● | ● | ● | | ● | ● | ● | ● | ● | ● | ● | ● | ● | ● | ● | | | ● | ● | | | | ● | ● | ● | ● | ● | ● | ● | | | | | ● | | ● | | | |
| Precision | | | | | | | | | | | | | | | | | | | | | ● | | | | | | | | | | | | | | | | | | | |
| PSMP | | | | | | | | | | | | | | | | | | | | | | | ● | | | | | | | | | | | | | | | | | |
| QMA | | | | | | | | | | | | | | | | | | | | | | | | | | | | | ● | | | | | | | | | | | |
| RP-N Type | | | | | | | | | | | | | | | | | | | | | ● | | | ● | | | | | | | | | | | | | | | | |
| RP-SMA | | | | | | | ● | | | | | | | | | | | | ● | ● | | | | | ● | | | ● | | ● | | | | | | | | | | |
| RP-SMB | | | | | | | | | | | | | | | | | | | | | | | | | | | | | ● | | | | | | | | | | | |
| RP-TNC | | | | | | | ● | | | | | | | | | | | | | | ● | | | | | | | ● | ● | | | | | | | | | ● | | |
| SMA | ● | ● | ● | ● | ● | ● | ● | ● | ● | ● | ● | ● | ● | ● | ● | ● | | | ● | ● | | | ● | ● | ● | ● | ● | ● | ● | ● | ● | ● | ● | ● | ● | ● | ● | ● | ● | |
| SMB | | | | | | | | | | | | ● | | | | | | | | ● | | | | | | | | ● | ● | ● | | | | | | | | | | |
| SMC | | | | | | | | | | | | | | | | | | | | | | | | | | | ● | ● | ● | | | | | | | | | | | |
| SMP | | | | | | | | | | | | | | | | | | | | | | | | | | | ● | | | | ● | | | | | | | | | |
| SMPM | | | | | | | | | | | | | | | | | | | | | | | | | | | | | | | | | | | | | | | | |
| SSMA | | | | | | | | | | | | | | | | | | | | | | | | | | | | ● | | | | | | | | | | | | |
| SSMB | | | | | | | | | | | | | | | | | | | | | | | | | | | | ● | | | | | | | | | | | | |
| TNC | | | | | | ● | ● | | ● | | | | ● | | ● | | | | ● | ● | | | | | | | | ● | ● | | | | | | | | | | ● | |
| TRIAx | | | | | | | | | | | | | | | | | | | | | | | | | | | | | | | | | | | | | ● | | | |
| TWINAX | | | | | | | | | | | | | | | | | | | | | | | | | | | | | | | | | | | | | | ● | | |
| UHF | | | | | | | ● | | ● | | | | | | | | | | | ● | ● | | | | | | ● | | | | | | | | | | ● | | ● | |

Tee-adapters available

COAXIAL ADAPTERS SERIES

1.0/2.3 ADAPTERS



DIN 1.0/2.3 products feature a patented ultra-slim push-pull coupling system which allows for quick installation and ensures positive locking and high retention. This series is available in 50 and 75 ohm configurations and operates from DC to 10 GHz. The compact design makes them ideal for applications with space constraints.

| Part Number | Side 1 | Side 2 | Orientation | Impedance | Features |
|---------------------------------|--------------|-------------|-------------|-----------|--------------------|
| 242229-75 | 1.0/2.3 Jack | BNC Jack | Straight | 75 | Bulkhead |
| 242231-75 | 1.0/2.3 Jack | BNC Plug | Straight | 75 | Bulkhead |
| APH-HD-ISO-1023 | 1.0/2.3 Jack | HD-BNC Jack | Straight | 75 | Bulkhead, Isolated |
| 242218 | 1.0/2.3 Jack | N-Type Jack | Straight | 50 | |
| 901-10005 | 1.0/2.3 Jack | SMA Plug | Straight | 50 | |
| 242207 | 1.0/2.3 Jack | SMA Plug | Straight | 50 | |
| 242238-75 | 1.0/2.3 Plug | BNC Jack | Straight | 75 | |
| 242217 | 1.0/2.3 Plug | N-Type Jack | Straight | 50 | |
| 242179 | 1.0/2.3 Plug | SMA Jack | Straight | 50 | |

[VIEW ALL 1.0/2.3 ADAPTERS](#)

4.1/9.5 ADAPTERS



The 4.1/9.5 series is a mechanically robust and high performance solution for wireless applications which require low passive intermodulation (PIM) and attenuation.

| Part Number | Side 1 | Side 2 | Orientation | Impedance | Features |
|------------------------|--------------|-------------|-------------|-----------|----------|
| 242281 | 4.1/9.5 Jack | N-Type Plug | Straight | 50 | |
| 242277 | 4.1/9.5 Jack | 7/16 Plug | Straight | 50 | |
| 242282 | 4.1/9.5 Plug | N-Type Jack | Straight | 50 | |
| 242278 | 4.1/9.5 Plug | 7/16 Jack | Straight | 50 | |

[VIEW ALL 4.1/9.5 ADAPTERS](#)

4.3/10 ADAPTERS



4.3/10 products offer the same robust design as 7/16 connectors but with a smaller footprint. Their lightweight design makes them ideal for wireless applications that require denser connector packing. This series is rated IP67 compliant and offers low passive intermodulation (PIM) and attenuation.

| 4.3/10 to 4.3/10 | | | | | |
|---------------------------------|-------------|-------------|-------------|-----------|----------|
| Part Number | Side 1 | Side 2 | Orientation | Impedance | Features |
| AD-4310J4310J-2 | 4.3/10 Jack | 4.3/10 Jack | Straight | 50 | Bulkhead |
| AD-4310J4310J-1 | 4.3/10 Jack | 4.3/10 Jack | Straight | 50 | |
| AD-4310P4310J-2 | 4.3/10 Jack | 4.3/10 Plug | Right Angle | 50 | |
| AD-4310P4310J-1 | 4.3/10 Jack | 4.3/10 Plug | Straight | 50 | |
| AD-4310P4310P-1 | 4.3/10 Plug | 4.3/10 Plug | Straight | 50 | |

COAXIAL ADAPTERS SERIES

4.3/10 to 7/16

| Part Number | Side 1 | Side 2 | Orientation | Impedance | Features |
|--------------------------------|-------------|-----------|-------------|-----------|----------|
| AD-716J4310J-1 | 4.3/10 Jack | 7/16 Jack | Straight | 50 | |
| AD-716P4310J-1 | 4.3/10 Jack | 7/16 Plug | Straight | 50 | |
| AD-716J4310P-1 | 4.3/10 Plug | 7/16 Jack | Straight | 50 | |
| AD-716P4310P-1 | 4.3/10 Plug | 7/16 Plug | Straight | 50 | |

4.3/10 to N-Type

| Part Number | Side 1 | Side 2 | Orientation | Impedance | Features |
|------------------------------|-------------|-------------|-------------|-----------|----------|
| AD-4310JNJ-1 | 4.3/10 Jack | N-Type Jack | Straight | 50 | |
| AD-4310JNP-1 | 4.3/10 Jack | N-Type Plug | Straight | 50 | |
| AD-4310PNJ-1 | 4.3/10 Plug | N-Type Jack | Straight | 50 | |
| AD-4310PNP-1 | 4.3/10 Plug | N-Type Plug | Straight | 50 | |

4.3/10 to SMA

| Part Number | Side 1 | Side 2 | Orientation | Impedance | Features |
|--------------------------------|-------------|----------|-------------|-----------|----------|
| AD-4310JSMAP-1 | 4.3/10 Jack | SMA Plug | Straight | 50 | |
| AD-4310PSMAJ-1 | 4.3/10 Plug | SMA Jack | Straight | 50 | |

[VIEW ALL 4.3/10 ADAPTERS](#)

7/16 ADAPTERS



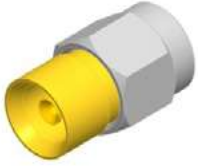
The 7/16 product series offers superior performance for both return loss and intermodulation distortion (IMD). These interconnects are robust and ideal for applications where vibration resistance and environmental protection is important. They are especially suitable for base stations and broadcast communication systems.

| Part Number | Side 1 | Side 2 | Orientation | Impedance | Features |
|--------------------------------|-----------|--------------|-------------|-----------|----------|
| 242278 | 7/16 Jack | 4.1/9.5 Plug | Straight | 50 | |
| AD-716J4310J-1 | 7/16 Jack | 4.3/10 Jack | Straight | 50 | |
| AD-716J4310P-1 | 7/16 Jack | 4.3/10 Plug | Straight | 50 | |
| 272301 | 7/16 Jack | 7/16 Jack | Straight | 50 | Bulkhead |
| 272300 | 7/16 Jack | 7/16 Jack | Straight | 50 | |
| 272292 | 7/16 Jack | 7/16 Plug | Straight | 50 | |
| 272150 | 7/16 Jack | 7/16 Plug | Right Angle | 50 | |
| 272183 | 7/16 Jack | N-Type Jack | Straight | 50 | Bulkhead |
| 242137 | 7/16 Jack | N-Type Jack | Straight | 50 | |
| APH-716F-NF | 7/16 Jack | N-Type Jack | Straight | 50 | |
| 242135 | 7/16 Jack | N-Type Plug | Straight | 50 | |
| 242266 | 7/16 Jack | SMA Plug | Straight | 50 | |
| 242277 | 7/16 Plug | 4.1/9.5 Jack | Straight | 50 | |
| AD-716P4310J-1 | 7/16 Plug | 4.3/10 Jack | Straight | 50 | |
| AD-716P4310P-1 | 7/16 Plug | 4.3/10 Plug | Straight | 50 | |
| 272134 | 7/16 Plug | 7/16 Plug | Straight | 50 | |
| 242136 | 7/16 Plug | N-Type Jack | Straight | 50 | |
| APH-716M-NF | 7/16 Plug | N-Type Jack | Straight | 50 | |
| 242138 | 7/16 Plug | N-Type Plug | Straight | 50 | |

[VIEW ALL 7/16 ADAPTERS](#)

COAXIAL ADAPTERS SERIES

AFI ADAPTERS



The AFI product series offers industry-leading “float” in order to compensate for axial and radial misalignment due to packaging tolerances. This series is a board-to-board solution designed for military and broadband applications.

| Part Number | Side 1 | Side 2 | Orientation | Impedance | Features |
|-------------------------------|----------|----------|-------------|-----------|----------|
| APH-SMAF-AFIF | AFI Jack | SMA Jack | Straight | 50 | |
| APH-SMAP-AFIF | AFI Jack | SMA Plug | Straight | 50 | |
| APH-SMAF-AFIM | AFI Plug | SMA Jack | Straight | 50 | |
| 920-169A-51S | AFI Plug | AFI Plug | Straight | 50 | |
| 920-127A-71S | AFI Plug | AFI Plug | Straight | 75 | |

[VIEW ALL AFI ADAPTERS](#)

AMC ADAPTERS



The AMC (Amphenol Micro Coaxial) product series is low profile (2.5 mm of the board) with an extremely small footprint (3 mm x 3 mm). This series utilizes a snap-on/snap-off connector style for secure and easy mating.

| Part Number | Side 1 | Side 2 | Orientation | Impedance | Features |
|---------------------------|----------|-------------|-------------|-----------|---------------|
| 242225 | AMC Jack | MMCX Jack | Straight | 50 | |
| 242216 | AMC Jack | N-Type Jack | Straight | 50 | Bulkhead |
| 242201RP | AMC Jack | RP-SMA Jack | Straight | 50 | Bulkhead |
| 242192RP | AMC Jack | RP-TNC Jack | Straight | 50 | Bulkhead |
| 242201 | AMC Jack | SMA Jack | Straight | 50 | Bulkhead |
| 242212 | AMC Jack | SMA Plug | Straight | 50 | |
| 242259 | AMC Jack | TNC Jack | Straight | 50 | 4-Hole Flange |
| 242192 | AMC Jack | TNC Jack | Straight | 50 | Bulkhead |
| 031-6109 | AMC Plug | BNC Jack | Straight | 50 | Bulkhead |
| 031-6112 | AMC Plug | RP-TNC Jack | Straight | 50 | Bulkhead |
| 031-6101 | AMC Plug | RP-TNC Jack | Straight | 50 | 2-Hole Flange |
| 901-10175 | AMC Plug | SMA Jack | Straight | 50 | Bulkhead |
| 901-10097 | AMC Plug | SMA Jack | Straight | 50 | Bulkhead |
| 031-6208 | AMC Plug | TNC Jack | Straight | 50 | Bulkhead |

[VIEW ALL AMC ADAPTERS](#)

C-TYPE ADAPTERS

The C-Type series is designed for 50 ohm applications with a two-stud bayonet locking mechanism for quick and easy coupling. These products are weatherproof and ideal for outdoor applications.

| Part Number | Side 1 | Side 2 | Orientation | Impedance | Features |
|-------------------------|-------------|-------------|-------------|-----------|----------|
| 082-508 | C-Type Jack | N-Type Plug | Straight | 50 | |

[VIEW ALL C-TYPE ADAPTERS](#)

COAXIAL ADAPTERS SERIES

BNC ADAPTERS



The BNC product series offers a diverse array of commercial and military grade options in terms of both configuration and termination style. The BNC features a bayonet coupling mechanism for positive, quick mating and un-mating. These miniature connectors are lightweight and reliable, and suited to accommodate PCB and cable-mount applications.

BNC to 1.0/2.3

| Part Number | Side 1 | Side 2 | Orientation | Impedance | Features |
|-------------|----------|--------------|-------------|-----------|----------|
| 242229-75 | BNC Jack | 1.0/2.3 Jack | Straight | 75 | Bulkhead |
| 242238-75 | BNC Jack | 1.0/2.3 Plug | Straight | 75 | |
| 242231-75 | BNC Plug | 1.0/2.3 Jack | Straight | 75 | Bulkhead |

BNC to AMC

| Part Number | Side 1 | Side 2 | Orientation | Impedance | Features |
|-------------|----------|----------|-------------|-----------|----------|
| 031-6109 | BNC Jack | AMC Plug | Straight | 50 | Bulkhead |

BNC to BNC

| Part Number | Side 1 | Side 2 | Orientation | Impedance | Features |
|---------------------|----------|-------------|-------------|-----------|--------------------------|
| 031-219 (UG-914/U) | BNC Jack | BNC Jack | Straight | 50 | |
| 031-219-RFX | BNC Jack | BNC Jack | Straight | 50 | |
| 112446 | BNC Jack | BNC Jack | Straight | 75 | |
| 112443 | BNC Jack | BNC Jack | Straight | 50 | Isolated |
| 112444 | BNC Jack | BNC Jack | Straight | 75 | Isolated |
| 112444-12G | BNC Jack | BNC Jack | Straight | 75 | Isolated, High-Frequency |
| 031-220N | BNC Jack | BNC Jack | Straight | 50 | Bulkhead |
| 031-220N-RFX | BNC Jack | BNC Jack | Straight | 50 | Bulkhead |
| 031-70020 | BNC Jack | BNC Jack | Straight | 75 | Bulkhead |
| 112434 | BNC Jack | BNC Jack | Straight | 75 | Bulkhead |
| 031-220N-75-12G | BNC Jack | BNC Jack | Straight | 75 | Bulkhead |
| 112712 | BNC Jack | BNC Jack | Straight | 50 | 4-Hole Flange |
| 112446-12G | BNC Jack | BNC Jack | Straight | 75 | High-Frequency |
| 031-4803 | BNC Jack | BNC Jack | Straight | 50 | Isolated, Silver Contact |
| 112438 | BNC Jack | BNC Jack | Straight | 75 | Bulkhead |
| 031-70540-12G | BNC Jack | HD-BNC Plug | Straight | 75 | |
| 112668 | BNC Plug | BNC Jack | Straight | 75 | |
| 031-9 (UG-306/U) | BNC Plug | BNC Jack | Right Angle | 50 | |
| 031-9-RFX | BNC Plug | BNC Jack | Right Angle | 50 | |
| 031-9-75 | BNC Plug | BNC Jack | Right Angle | 75 | |
| 031-9-75-12G | BNC Plug | BNC Jack | Right Angle | 75 | High-Frequency |
| 031-9-75RFX | BNC Plug | BNC Jack | Right Angle | 75 | |
| 112667 | BNC Plug | BNC Jack | Straight | 50 | |
| 031-218 (UG-491A/U) | BNC Plug | BNC Plug | Straight | 50 | |
| 031-218-75RFX | BNC Plug | BNC Plug | Straight | 75 | |
| 112448 | BNC Plug | BNC Plug | Straight | 75 | |
| 031-218-75RFX-12G | BNC Plug | BNC Plug | Straight | 75 | High-Frequency |
| 031-218-RFX | BNC Plug | BNC Plug | Straight | 50 | |
| 112655 | BNC Plug | BNC Plug | Right Angle | 50 | Right Angle |
| 031-70541-12G | BNC Plug | HD-BNC Jack | Straight | 75 | |

COAXIAL ADAPTERS SERIES

BNC to FME

| Part Number | Side 1 | Side 2 | Orientation | Impedance | Features |
|-------------|----------|----------|-------------|-----------|----------|
| 192104 | BNC Plug | FME Plug | Straight | 50 | |

BNC to F-Type

| Part Number | Side 1 | Side 2 | Orientation | Impedance | Features |
|-------------|----------|-------------|-------------|-----------|----------|
| 242161 | BNC Jack | F-Type Jack | Straight | 75 | |
| 242159 | BNC Jack | F-Type Plug | Straight | 75 | |
| 242154 | BNC Plug | F-Type Jack | Straight | 75 | |
| 112532-12-1 | BNC Plug | F-Type Jack | Straight | 75 | Bulkhead |
| 242160 | BNC Plug | F-Type Plug | Straight | 50 | |

BNC to HD-BNC

| Part Number | Side 1 | Side 2 | Orientation | Impedance | Features |
|-----------------|----------|-------------|-------------|-----------|--------------------|
| APH-HD-ISO-BNC | BNC Jack | HD-BNC Jack | Straight | 75 | Bulkhead, Isolated |
| APH-BNCJ-HDBNCJ | BNC Jack | HD-BNC Jack | Straight | 75 | |
| APH-BNCJ-HDBNCP | BNC Jack | HD-BNC Plug | Straight | 75 | |
| APH-BNCP-HDBNCJ | BNC Plug | HD-BNC Jack | Straight | 75 | |
| APH-BNCP-HDBNCP | BNC Plug | HD-BNC Plug | Straight | 75 | |

BNC to MCX

| Part Number | Side 1 | Side 2 | Orientation | Impedance | Features |
|-------------|----------|----------|-------------|-----------|----------|
| 242206 | BNC Jack | MCX Jack | Straight | 50 | |
| 242204 | BNC Jack | MCX Plug | Straight | 50 | |
| 242203 | BNC Plug | MCX Jack | Straight | 50 | |
| 242205 | BNC Plug | MCX Plug | Straight | 50 | |

BNC to N-Type

| Part Number | Side 1 | Side 2 | Orientation | Impedance | Features |
|-------------|----------|-------------|-------------|-----------|----------------|
| APH-NJ-BNCJ | BNC Jack | N-Type Jack | Straight | 50 | |
| 082-6532 | BNC Jack | N-Type Jack | Straight | 50 | Bulkhead, IP67 |
| 242162 | BNC Jack | N-Type Jack | Straight | 50 | Bulkhead |
| 242100 | BNC Jack | N-Type Jack | Straight | 50 | |
| APH-NP-BNCJ | BNC Jack | N-Type Plug | Straight | 50 | |
| 031-216-RFX | BNC Jack | N-Type Plug | Straight | 50 | |
| 031-216 | BNC Jack | N-Type Plug | Straight | 50 | |
| 082-5558 | BNC Jack | N-Type Plug | Straight | 50 | |
| 242121 | BNC Jack | N-Type Plug | Straight | 50 | |
| APH-NJ-BNCP | BNC Plug | N-Type Jack | Straight | 50 | |
| 031-217-RFX | BNC Plug | N-Type Jack | Straight | 50 | |
| 031-217 | BNC Plug | N-Type Jack | Straight | 50 | |
| 242101 | BNC Plug | N-Type Jack | Straight | 50 | |
| APH-NP-BNCP | BNC Plug | N-Type Plug | Straight | 50 | |
| 242122 | BNC Plug | N-Type Plug | Straight | 50 | |

COAXIAL ADAPTERS SERIES

| BNC to SMA | | | | | |
|-------------|----------|----------|-------------|-----------|----------------|
| Part Number | Side 1 | Side 2 | Orientation | Impedance | Features |
| 901-9173 | BNC Jack | SMA Jack | Straight | 50 | Bulkhead |
| 901-167 | BNC Jack | SMA Jack | Straight | 50 | |
| 901-10384 | BNC Jack | SMA Jack | Straight | 50 | Bulkhead, IP67 |
| 242181 | BNC Jack | SMA Jack | Straight | 50 | Bulkhead |
| 242123 | BNC Jack | SMA Jack | Straight | 50 | |
| 901-166 | BNC Jack | SMA Plug | Straight | 50 | |
| 242102 | BNC Jack | SMA Plug | Straight | 50 | |
| 901-165 | BNC Plug | SMA Jack | Straight | 50 | |
| 242103 | BNC Plug | SMA Jack | Straight | 50 | |
| 132375 | BNC Plug | SMA Jack | Straight | 50 | Bulkhead |
| 901-164 | BNC Plug | SMA Plug | Straight | 50 | |
| 242104 | BNC Plug | SMA Plug | Straight | 50 | |

| BNC to SMB | | | | | |
|-------------|----------|----------|-------------|-----------|----------|
| Part Number | Side 1 | Side 2 | Orientation | Impedance | Features |
| 242186 | BNC Jack | SMA Jack | Straight | 50 | |
| 242185 | BNC Jack | SMA Plug | Straight | 50 | |
| 242184 | BNC Plug | SMA Jack | Straight | 50 | |
| 242187 | BNC Plug | SMA Plug | Straight | 50 | |

| BNC to TNC | | | | | |
|---------------|----------|----------|-------------|-----------|----------|
| Part Number | Side 1 | Side 2 | Orientation | Impedance | Features |
| 242150 | BNC Jack | TNC Jack | Straight | 50 | |
| APH-BNCJ-TNCJ | BNC Jack | TNC Jack | Straight | 50 | |
| 000-79675 | BNC Jack | TNC Plug | Straight | 50 | |
| 242232 | BNC Jack | TNC Plug | Right Angle | 50 | |
| 242149 | BNC Jack | TNC Plug | Straight | 50 | |
| APH-BNCJ-TNCP | BNC Jack | TNC Plug | Straight | 50 | |
| 000-79025 | BNC Plug | TNC Jack | Straight | 50 | |
| 242148 | BNC Plug | TNC Jack | Straight | 50 | |
| 242151 | BNC Plug | TNC Plug | Straight | 50 | |
| APH-BNCP-TNCP | BNC Plug | TNC Plug | Straight | 50 | |

| BNC to UHF | | | | | |
|-------------|----------|----------|-------------|-----------|----------|
| Part Number | Side 1 | Side 2 | Orientation | Impedance | Features |
| 242165 | BNC Jack | UHF Jack | Straight | 50 | |
| 031-28-RFX | BNC Jack | UHF Plug | Straight | 50 | |
| 031-28 | BNC Jack | UHF Plug | Straight | 50 | |
| 242164 | BNC Jack | UHF Plug | Straight | 50 | |
| 000-2900 | BNC Plug | UHF Jack | Straight | 50 | |
| 242134 | BNC Plug | UHF Jack | Straight | 50 | |

[VIEW ALL BNC ADAPTERS](#)

COAXIAL ADAPTERS SERIES

FAKRA ADAPTERS



FAKRA products are designed specifically for automotive applications according to USCAR standards. This series features color coded housings and mechanical keying to prevent mis-mating and are available in sealed, high-speed and 6 GHz options.

| Part Number | Side 1 | Side 2 | Orientation | Impedance | Features |
|------------------------------|------------|----------|-------------|-----------|----------|
| APH-FKJ-SMAJ | FAKRA Jack | SMA Jack | Straight | 50 | |

[VIEW ALL FAKRA ADAPTERS](#)

FME ADAPTERS



The FME product series offers excellent VSWR performance from DC to 200 MHz. These products are ideal for mobile antenna applications and are primarily used with RG-58 coaxial cables.

| Part Number | Side 1 | Side 2 | Orientation | Impedance | Features |
|------------------------|----------|-------------|-------------|-----------|----------|
| 192104 | FME Plug | BNC Plug | Straight | 50 | |
| 192103 | FME Plug | FME Plug | Straight | 50 | |
| 192109 | FME Plug | N-Type Plug | Straight | 50 | |
| 192113 | FME Plug | SMA Plug | Straight | 50 | |
| 192105 | FME Plug | TNC Plug | Straight | 50 | |
| 192110 | FME Plug | UHF Plug | Straight | 50 | |

[VIEW ALL FME ADAPTERS](#)

F-TYPE ADAPTERS



The F-Type product series is a high-performance, threaded alternative to the traditional slide-on G-Type connector design. Primary applications for F-Type connectors are cable television (CATV), set top boxes and cable modems.

| Part Number | Side 1 | Side 2 | Orientation | Impedance | Features |
|-----------------------------|-------------|-------------|-------------|-----------|------------------------|
| 242161 | F-Type Jack | BNC Jack | Straight | 75 | |
| 242154 | F-Type Jack | BNC Plug | Straight | 75 | |
| 112532-12-1 | F-Type Jack | BNC Plug | Straight | 75 | Push-On Plug, Bulkhead |
| 531-40008 | F-Type Jack | F-Type Jack | Straight | 75 | |
| 222121 | F-Type Jack | F-Type Jack | Straight | 75 | Bulkhead |
| 222205 | F-Type Jack | F-Type Plug | Straight | 75 | |
| 222157 | F-Type Jack | F-Type Plug | Straight | 75 | Push-On Plug |
| 222F-90 | F-Type Jack | F-Type Plug | Right Angle | 75 | |
| 242120 | F-Type Jack | N-Type Jack | Straight | 50 | |
| 242120-75 | F-Type Jack | N-Type Jack | Straight | 75 | |
| 252156 | F-Type Jack | N-Type Plug | Straight | 50 | |
| 242224 | F-Type Jack | SMB Jack | Straight | 50 | Bulkhead |
| 242215 | F-Type Jack | SMB Jack | Straight | 75 | Bulkhead |
| 242223 | F-Type Jack | SMB Plug | Straight | 50 | Bulkhead |
| 242159 | F-Type Plug | BNC Jack | Straight | 75 | |
| 242160 | F-Type Plug | BNC Plug | Straight | 50 | |
| 222156 | F-Type Plug | F-Type Plug | Straight | 75 | Bulkhead |
| 242152 | F-Type Plug | N-Type Jack | Straight | 50 | |
| 242152-75 | F-Type Plug | N-Type Jack | Straight | 75 | |
| 242157 | F-Type Plug | N-Type Plug | Straight | 50 | |

[VIEW ALL F-TYPE ADAPTERS](#)

COAXIAL ADAPTERS SERIES

G-TYPE ADAPTERS



The G-Type product series is a 75 ohm solution ideal for cable television (CATV), set top boxes and cable models. This series is a traditional slide-on alternative to the threaded F-Type connector.

| Part Number | Side 1 | Side 2 | Orientation | Impedance | Features |
|---------------------------|-------------|-------------|-------------|-----------|----------|
| 531-40119 | G-Type Plug | G-Type Plug | Straight | 75 | Bulkhead |

[VIEW ALL G-TYPE ADAPTERS](#)

HD-BNC ADAPTERS



The HD-BNC product line features the trusted push and turn interface of a traditional BNC but with a footprint that is 4 times smaller. These products are engineered to enhance electrical and mechanical performance and use the same prep and termination specifications of legacy broadcast connectors.

| Part Number | Side 1 | Side 2 | Orientation | Impedance | Features |
|---------------------------------|-------------|--------------|-------------|-----------|--------------------|
| 031-70541-12G | HD-BNC Jack | BNC Plug | Straight | 75 | |
| APH-HD-ISO-1023 | HD-BNC Jack | 1.0/2.3 Jack | Straight | 75 | Bulkhead, Isolated |
| APH-BNCJ-HDBNCJ | HD-BNC Jack | BNC Jack | Straight | 75 | |
| APH-HD-ISO-BNC | HD-BNC Jack | BNC Jack | Straight | 75 | Bulkhead, Isolated |
| APH-BNCP-HDBNCJ | HD-BNC Jack | BNC Plug | Straight | 75 | |
| APH-HD-ISO-HD | HD-BNC Jack | HD-BNC Jack | Straight | 75 | Bulkhead, Isolated |
| APH-HDBNCJ-J | HD-BNC Jack | HD-BNC Jack | Straight | 75 | |
| 034-1109-12G | HD-BNC Jack | HD-BNC Jack | Straight | 75 | Bulkhead |
| 034-1110-12G | HD-BNC Jack | HD-BNC Jack | Straight | 75 | Bulkhead, Isolated |
| 034-1112-12G | HD-BNC Jack | HD-BNC Jack | Right-Angle | 75 | |
| APH-HDBNCP-J | HD-BNC Jack | HD-BNC Plug | Straight | 75 | |
| 031-1111-12G | HD-BNC Jack | HD-BNC Plug | Straight | 75 | |
| APH-NJ-HDBNCJ | HD-BNC Jack | N-Type Jack | Straight | 75 | |
| APH-NP-HDBNCJ | HD-BNC Jack | N-Type Plug | Straight | 75 | |
| APH-HDBNCJ-SMAJ | HD-BNC Jack | SMA Jack | Straight | 50 | |
| 031-70540-12G | HD-BNC Plug | BNC Jack | Straight | 75 | |
| APH-BNCJ-HDBNCP | HD-BNC Plug | BNC Jack | Straight | 75 | |
| APH-BNCP-HDBNCP | HD-BNC Plug | BNC Plug | Straight | 75 | |
| 034-1113-12G | HD-BNC Plug | HD-BNC Plug | Straight | 75 | |
| APH-NJ-HDBNCP | HD-BNC Plug | N-Type Jack | Straight | 75 | |
| APH-NP-HDBNCP | HD-BNC Plug | N-Type Plug | Straight | 75 | |
| APH-HDBNCP-SMAJ | HD-BNC Plug | SMA Jack | Straight | 50 | |
| APH-HDBNCP-SMAP | HD-BNC Plug | SMA Plug | Straight | 50 | |

[VIEW ALL HD-BNC ADAPTERS](#)

HD-EFI ADAPTERS



The HD-EFI product series is a micro-miniature board-to-board solutions designed to allow large board tolerance stack ups, blind mating, and multiple RF lines. HD-EFI interconnects are available in a variety of configurations and has a generous “float” to compensate for radial and axial misalignment. The HD-EFI is ideal for high-performance applications with a small package size.

| Part Number | Side 1 | Side 2 | Orientation | Impedance | Features |
|---------------------------------|-------------|-------------|-------------|-----------|----------|
| 920-505A-51S | HD-EFI Plug | HD-EFI Plug | Straight | 50 | |
| 920-506A-51S | HD-EFI Plug | HD-EFI Plug | Straight | 50 | |
| 920-509A-51S | HD-EFI Plug | HD-EFI Plug | Straight | 50 | |
| AD-SMAJHDEFIP-1 | HD-EFI Plug | SMA Plug | Straight | 50 | |
| AD-SMAJHDEFIJ-1 | HD-EFI Plug | SMA Jack | Straight | 50 | |

[VIEW ALL HD-EFI ADAPTERS](#)

COAXIAL ADAPTERS SERIES

HN-TYPE ADAPTERS



The HN-Type product line features medium sized, weatherproof units designed for high voltage applications. These products are designed with a captivated contact to prevent contact recession under extreme temperatures and mechanical stresses.

| Part Number | Side 1 | Side 2 | Orientation | Impedance | Features |
|---------------------------------------|--------------|--------------|-------------|-----------|----------|
| 000-11050 (UG-1019/U) | HN-Type Jack | HN-Type Jack | Straight | 50 | |
| 000-16075 | HN-Type Jack | N-Type Plug | Straight | 50 | |
| 000-16050 | HN-Type Plug | N-Type Jack | Straight | 50 | |

[VIEW ALL HN-TYPE ADAPTERS](#)

MCX ADAPTERS



The MCX (Micro Coaxial) series is a 50 ohm series with broadband capabilities ranging from DC to 6 GHz. This series features secure, fast and easy snap-on/snap-off coupling and are ideal for applications where weight and physical space are limited.

| Part Number | Side 1 | Side 2 | Orientation | Impedance | Features |
|-------------------------------|----------|-------------|-------------|-----------|---------------|
| 242206 | MCX Jack | BNC Jack | Straight | 50 | |
| 242203 | MCX Jack | BNC Plug | Straight | 50 | |
| 252171 | MCX Jack | MCX Jack | Straight | 50 | Bulkhead |
| 252169 | MCX Jack | MCX Jack | Straight | 50 | |
| 242172 | MCX Jack | N-Type Jack | Straight | 50 | |
| 242170 | MCX Jack | N-Type Plug | Straight | 50 | |
| 242129 | MCX Jack | SMA Jack | Straight | 50 | |
| 242126 | MCX Jack | SMA Plug | Straight | 50 | |
| 242208 | MCX Jack | TNC Plug | Straight | 50 | |
| 242204 | MCX Plug | BNC Jack | Straight | 50 | |
| 242205 | MCX Plug | BNC Plug | Straight | 50 | |
| 242171 | MCX Plug | N-Type Jack | Straight | 50 | |
| APH-SMAJ-MCXP | MCX Plug | SMA Jack | Straight | 50 | |
| 242234 | MCX Plug | SMA Jack | Straight | 50 | 2-Hole Flange |
| 242127 | MCX Plug | SMA Jack | Straight | 50 | |
| 242128 | MCX Plug | SMA Plug | Straight | 50 | |
| 242210 | MCX Plug | TNC Plug | Straight | 50 | |

[VIEW ALL MCX ADAPTERS](#)

MHV ADAPTERS



The MHV product series features bayonet locking interconnects used for high voltage applications up to 5000 volts. These products offer a quick-connect functionality that is used where transmission of high voltage is required.

| Part Number | Side 1 | Side 2 | Orientation | Impedance | Features |
|---------------------------|----------|----------|-------------|--------------|---------------|
| 000-12650 | MHV Jack | MHV Jack | Straight | Non-Constant | 4-Hole Flange |

[VIEW ALL MHV ADAPTERS](#)

MINI-SMB ADAPTERS



Amphenol RF's Mini-SMB connector family provides broadband capabilities up to 2 GHz. Their simple snap-on design offers a quick connect/disconnect and utilizes die cast components in non-critical areas to provide a low cost solution. These products also feature reduced housing which allows for circuit miniaturization and efficient space utilization.

| Part Number | Side 1 | Side 2 | Orientation | Impedance | Features |
|---------------------------|---------------|---------------|-------------|-----------|----------|
| 142249-75 | Mini-SMB Jack | Mini-SMB Jack | Straight | 75 | Bulkhead |

[VIEW ALL MINI-SMB ADAPTERS](#)

COAXIAL ADAPTERS SERIES

MINI-UHF ADAPTERS



Miniature versions of UHF connectors, Mini-UHF connectors are designed for applications where size, weight, and cost factors are critical. With a miniature 3/8-24 thread size, these connectors provides excellent RF performance for applications up to 2.5 GHz. Connectors in this series terminate are available as crimp-type cable plugs and jacks, terminating to various cable types, and as panel and printed circuit board receptacles.

| Part Number | Side 1 | Side 2 | Orientation | Impedance | Features |
|------------------------|---------------|----------|-------------|-----------|----------|
| 242119 | Mini-UHF Jack | SMA Jack | Straight | 50 | Bulkhead |
| 242116 | Mini-UHF Jack | SMA Plug | Straight | 50 | |
| 242197 | Mini-UHF Jack | TNC Plug | Straight | 50 | |
| 242117 | Mini-UHF Plug | SMA Jack | Straight | 50 | |
| 242242 | Mini-UHF Plug | TNC Jack | Straight | 50 | |
| 242153 | Mini-UHF Plug | TNC Jack | Straight | 50 | |

[VIEW ALL MINI-UHF ADAPTERS](#)

MMCX ADAPTERS



The MMCX (Micro-Miniature Coaxial) product series is a micro-miniature version of the MCX. It has all the same features and benefits of the traditional MCX, but with a smaller footprint.

| Part Number | Side 1 | Side 2 | Orientation | Impedance | Features |
|--------------------------|-----------|-------------|-------------|-----------|----------|
| 242225 | MMCX Jack | AMC Jack | Straight | 50 | |
| 262130 | MMCX Jack | MMCX Jack | Straight | 50 | Bulkhead |
| 262129 | MMCX Jack | MMCX Jack | Straight | 50 | |
| 262136 | MMCX Jack | MMCX Plug | Straight | 50 | |
| 242168 | MMCX Jack | N-Type Jack | Straight | 50 | |
| 242166 | MMCX Jack | N-Type Plug | Straight | 50 | |
| 242237 | MMCX Jack | SMA Jack | Straight | 50 | Bulkhead |
| 242143 | MMCX Jack | SMA Jack | Straight | 50 | |
| 242140 | MMCX Jack | SMA Plug | Straight | 50 | |
| 242169 | MMCX Plug | N-Type Plug | Straight | 50 | |
| 242141RP | MMCX Plug | RP-SMA Jack | Straight | 50 | |
| 242193 | MMCX Plug | SMA Jack | Straight | 50 | Bulkhead |
| 242141 | MMCX Plug | SMA Jack | Straight | 50 | |
| 242142 | MMCX Plug | SMA Plug | Straight | 50 | |

[VIEW ALL MMCX ADAPTERS](#)

N-TYPE ADAPTERS



The N-Type product series is a durable, medium sized, weatherproof solution for military, industrial and commercial applications. The threaded coupling mechanism featured on all N-Type products is ideal for vibration resistance.

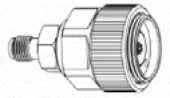
| Part Number | Side 1 | Side 2 | Orientation | Impedance | Features |
|------------------------------------|-------------|-------------|-------------|-----------|----------------|
| 082-101 (UG-29B/U) | N-Type Jack | N-Type Jack | Straight | 50 | |
| 172123 | N-Type Jack | N-Type Jack | Straight | 50 | |
| 082-6348 | N-Type Jack | N-Type Jack | Straight | 50 | Bulkhead |
| 082-66 (UG-30/U) | N-Type Jack | N-Type Jack | Straight | 50 | Bulkhead, IP67 |
| 082-66-RFX | N-Type Jack | N-Type Jack | Straight | 50 | Bulkhead |
| 172124 | N-Type Jack | N-Type Jack | Straight | 50 | Bulkhead |
| 172278-10 | N-Type Jack | N-Type Jack | Straight | 50 | 4-Hole Flange |

COAXIAL ADAPTERS SERIES

| Part Number | Side 1 | Side 2 | Orientation | Impedance | Features |
|------------------------------------|-------------|-------------|-------------|-----------|------------------|
| 172276 | N-Type Jack | N-Type Plug | Straight | 50 | |
| 172336 | N-Type Jack | N-Type Plug | Straight | 50 | Bulkhead |
| 172126 | N-Type Jack | N-Type Plug | Right Angle | 50 | |
| 082-64 (UG-27A/U) | N-Type Jack | N-Type Plug | Right Angle | 50 | |
| 172212RP | N-Type Jack | N-Type Plug | Straight | 50 | Reverse Polarity |
| 082-100 (UG-57B/U) | N-Type Plug | N-Type Plug | Straight | 50 | |
| 172122 | N-Type Plug | N-Type Plug | Straight | 50 | |
| 172261 | N-Type Plug | N-Type Plug | Right Angle | 50 | |

[VIEW ALL N-TYPE ADAPTERS](#)

PRECISION ADAPTERS



Industry-leading float results in a maximum misalignment allowed by the system of .030" [0.8 mm] radial and .040" [1.0 mm] axial. Available in two configurations: 75 Ω with a performance of DC to 3 GHz and 50 ff with a performance of DC to 6 GHz.

| Part Number | Side 1 | Side 2 | Orientation | Impedance | Features |
|---------------------------|------------|------------|-------------|-----------|----------|
| 131-7020 | APC-N Jack | 3.5mm Jack | Straight | 50 | |
| 131-7018 | APC-N Plug | 3.5mm Jack | Straight | 50 | |
| 131-91046 | APC-7 | 3.5mm Jack | Straight | 50 | |

[VIEW ALL PRECISION ADAPTERS](#)

PSMP ADAPTERS



The PSMP product series is a board-to-board solution ideal for blind mate applications requiring high power. With a minimum board spacing of 12.6 mm, the three-piece design allows maximum flexibility for high-density board spacing.

| Part Number | Side 1 | Side 2 | Orientation | Impedance | Features |
|--------------------------------|-----------|-----------|-------------|-----------|----------|
| PSMP-FSBA-2580 | PSMP Plug | PSMP Plug | Straight | 50 | |
| PSMP-FSBA-2380 | PSMP Plug | PSMP Plug | Straight | 50 | |
| PSMP-FSBA-1970 | PSMP Plug | PSMP Plug | Straight | 50 | |
| PSMP-FSBA-1755 | PSMP Plug | PSMP Plug | Straight | 50 | |
| PSMP-FSBA-1175 | PSMP Plug | PSMP Plug | Straight | 50 | |
| PSMP-FSBA-1042 | PSMP Plug | PSMP Plug | Straight | 50 | |
| PSMP-FSBA-1000 | PSMP Plug | PSMP Plug | Straight | 50 | |

[VIEW ALL PSMP ADAPTERS](#)

QMA ADAPTERS



The QMA product series is a quick disconnect version of the SMA connector with the same internal construction. These products are ideal for applications requiring high power handling capabilities.

| Part Number | Side 1 | Side 2 | Orientation | Impedance | Featur |
|------------------------------|----------|----------|-------------|-----------|--------|
| 242262 | QMA Jack | SMA Jack | Straight | 50 | |
| 930-100A-51S | QMA Jack | SMA Jack | Straight | 50 | |
| 242263 | QMA Jack | SMA Plug | Straight | 50 | |
| 242261 | QMA Plug | SMA Jack | Straight | 50 | |
| 930-101A-51S | QMA Plug | SMA Jack | Straight | 50 | |
| 242260 | QMA Plug | SMA Plug | Straight | 50 | |

[VIEW ALL QMA ADAPTERS](#)

COAXIAL ADAPTERS SERIES

RP-N TYPE ADAPTERS



The N-Type product series is a durable, medium sized, weatherproof solution for military, industrial and commercial applications. The threaded coupling mechanism featured on all N-Type products is ideal for vibration resistance. N-Type interconnects are produced in standard and reverse polarity.

| Part Number | Side 1 | Side 2 | Orientation | Impedance | Features |
|-----------------------------|----------------|----------------|-------------|-----------|----------|
| 172213RP | RP-N-Type Jack | N-Type Plug | Straight | 50 | Bulkhead |
| 172212RP | RP-N-Type Plug | N-Type Plug | Straight | 50 | |
| 172193RP-RP | RP-N-Type Plug | RP-N-Type Jack | Right Angle | 50 | |

[VIEW ALL RP-N TYPE ADAPTERS](#)

RP-SMA ADAPTERS



The SMA product series is designed using a threaded interface and provides excellent electrical performance from DC to 26.5 GHz, along with outstanding mechanical durability. SMA interconnects offer a precise and simple means of phase adjustment for microwave devices. The products are available in standard and reverse polarity.

| Part Number | Side 1 | Side 2 | Orientation | Impedance | Features |
|--------------------------------|-------------|-------------|-------------|-----------|----------|
| 242201RP | RP-SMA Jack | AMC Jack | Straight | 50 | Bulkhead |
| 242141RP | RP-SMA Jack | MMCX Jack | Straight | 50 | |
| 242115RP | RP-SMA Jack | N-Type Jack | Straight | 50 | |
| 242113RP | RP-SMA Jack | N-Type Plug | Straight | 50 | |
| 132169RP-RP | RP-SMA Jack | RP-SMA Jack | Straight | 50 | |
| 132170-10RP-RP | RP-SMA Jack | RP-SMA Jack | Straight | 50 | Bulkhead |
| 132171RP-RP | RP-SMA Jack | RP-SMA Plug | Straight | 50 | |
| 132172RP-RP | RP-SMA Jack | RP-SMA Plug | Right Angle | 50 | |
| 132170RP | RP-SMA Jack | SMA Jack | Straight | 50 | Bulkhead |
| 132169RP | RP-SMA Jack | SMA Jack | Straight | 50 | |
| 132172RP | RP-SMA Jack | SMA Plug | Right Angle | 50 | |
| 132171RP | RP-SMA Jack | SMA Plug | Straight | 50 | |
| 242112RP | RP-SMA Plug | N-Type Jack | Straight | 50 | |
| 242114RP | RP-SMA Plug | N-Type Plug | Straight | 50 | |
| 132171RP-10 | RP-SMA Plug | SMA Jack | Straight | 50 | |
| 132168RP | RP-SMA Plug | SMA Plug | Straight | 50 | |

[VIEW ALL RP-SMA ADAPTERS](#)

RP-SMB ADAPTERS



The SMB product series features a snap-on coupling mechanism and is available in 50 and 75 ohm configurations. These interconnects offer broadband performance with low reflection from DC to 4 GHz and utilize die cast components on non-critical areas to provide a low cost solution. SMB products are engineered in both standard and reverse polarity.

| Part Number | Side 1 | Side 2 | Orientation | Impedance | Features |
|--------------------------|-------------|----------|-------------|-----------|----------|
| 242145RP | RP-SMB Plug | SMA Jack | Straight | 50 | |

[VIEW ALL RP-SMB ADAPTERS](#)

COAXIAL ADAPTERS SERIES

RP-TNC ADAPTERS



The TNC product series features a micro-miniature, threaded and waterproof design. The durable construction makes them ideal for vibration intense applications. TNC interconnects are produced with standard and reverse polarity.

| Part Number | Side 1 | Side 2 | Orientation | Impedance | Features |
|-----------------------------|-------------|-------------|-------------|-----------|---------------|
| 242192RP | RP-TNC Jack | AMC Jack | Straight | 50 | Bulkhead |
| 031-6112 | RP-TNC Jack | AMC Plug | Straight | 50 | Bulkhead |
| 031-6101 | RP-TNC Jack | AMC Plug | Straight | 50 | 2-Hole Flange |
| 242132RP | RP-TNC Jack | N-Type Jack | Straight | 50 | |
| 242130RP | RP-TNC Jack | N-Type Plug | Straight | 50 | |
| 122352RP-RP | RP-TNC Jack | RP-TNC Plug | Right Angle | 50 | |
| 242107RP | RP-TNC Jack | SMA Jack | Straight | 50 | |
| 242124RP | RP-TNC Jack | SMA Plug | Straight | 50 | |
| 122498RP-10 | RP-TNC Jack | TNC Plug | Straight | 50 | |
| 242131RP | RP-TNC Plug | N-Type Jack | Straight | 50 | |
| 242133RP | RP-TNC Plug | N-Type Plug | Straight | 50 | |
| 242105RP-10 | RP-TNC Plug | SMA Jack | Straight | 50 | |
| 242105RP | RP-TNC Plug | SMA Jack | Straight | 50 | |
| 242106RP | RP-TNC Plug | SMA Plug | Straight | 50 | |
| 122498RP | RP-TNC Plug | TNC Jack | Straight | 50 | |
| 122458RP-RP | RP-TNC Jack | TNC RP-Jack | Straight | 50 | Bulkhead |

[VIEW ALL RP-TNC ADAPTERS](#)

SMA ADAPTERS



The SMA product series is designed using a threaded interface and provides excellent electrical performance from DC to 26.5 GHz, along with outstanding mechanical durability. SMA interconnects offer a precise and simple means of phase adjustment for microwave devices.

SMA to 1.0/2.3

| Part Number | Side 1 | Side 2 | Orientation | Impedance | Features |
|---------------------------|----------|--------------|-------------|-----------|----------|
| 242179 | SMA Jack | 1.0/2.3 Plug | Straight | 50 | |
| 242207 | SMA Plug | 1.0/2.3 Jack | Straight | 50 | |
| 901-10005 | SMA Plug | 1.0/2.3 Jack | Straight | 50 | |

SMA to 4.3/10

| Part Number | Side 1 | Side 2 | Orientation | Impedance | Features |
|--------------------------------|----------|-------------|-------------|-----------|----------|
| AD-4310PSMAJ-1 | SMA Jack | 4.3/10 Plug | Straight | 50 | |
| AD-4310JSMAP-1 | SMA Plug | 4.3/10 Jack | Straight | 50 | |

SMA to 7/16

| Part Number | Side 1 | Side 2 | Orientation | Impedance | Features |
|------------------------|----------|-----------|-------------|-----------|----------|
| 242266 | SMA Plug | 7/16 Jack | Straight | 50 | |

SMA to AFI

| Part Number | Side 1 | Side 2 | Orientation | Impedance | Features |
|-------------------------------|----------|----------|-------------|-----------|----------|
| APH-SMAF-AFIF | SMA Jack | AFI Jack | Straight | 50 | |
| APH-SMAF-AFIM | SMA Jack | AFI Plug | Straight | 50 | |
| APH-SMAP-AFIF | SMA Plug | AFI Jack | Straight | 50 | |

COAXIAL ADAPTERS SERIES

| SMA to AMC | | | | | |
|-------------|----------|----------|-------------|-----------|----------|
| Part Number | Side 1 | Side 2 | Orientation | Impedance | Features |
| 242201 | SMA Jack | AMC Jack | Straight | 50 | Bulkhead |
| 901-10097 | SMA Jack | AMC Plug | Straight | 50 | Bulkhead |
| 901-10175 | SMA Jack | AMC Plug | Straight | 50 | Bulkhead |
| 242212 | SMA Plug | AMC Jack | Straight | 50 | |

| SMA to BNC | | | | | |
|-------------|----------|----------|-------------|-----------|----------------|
| Part Number | Side 1 | Side 2 | Orientation | Impedance | Features |
| 242123 | SMA Jack | BNC Jack | Straight | 50 | |
| 242181 | SMA Jack | BNC Jack | Straight | 50 | Bulkhead |
| 242181-10 | SMA Jack | BNC Jack | Straight | 50 | Bulkhead |
| 901-10384 | SMA Jack | BNC Jack | Straight | 50 | Bulkhead, IP67 |
| 901-167 | SMA Jack | BNC Jack | Straight | 50 | |
| 901-9173 | SMA Jack | BNC Jack | Straight | 50 | Bulkhead |
| 132375 | SMA Jack | BNC Plug | Straight | 50 | Bulkhead |
| 242103 | SMA Jack | BNC Plug | Straight | 50 | |
| 901-165 | SMA Jack | BNC Plug | Straight | 50 | |
| 242102 | SMA Jack | BNC Jack | Straight | 50 | |
| 901-166 | SMA Plug | BNC Jack | Straight | 50 | |
| 242104 | SMA Plug | BNC Plug | Straight | 50 | |
| 901-164 | SMA Plug | BNC Plug | Straight | 50 | |

| SMA to FAKRA | | | | | |
|--------------|----------|------------|-------------|-----------|----------|
| Part Number | Side 1 | Side 2 | Orientation | Impedance | Features |
| APH-FKJ-SMAJ | SMA Jack | FAKRA Jack | Straight | 50 | |

| SMA to FME | | | | | |
|-------------|----------|----------|-------------|-----------|----------|
| Part Number | Side 1 | Side 2 | Orientation | Impedance | Features |
| 192113 | SMA Plug | FME Plug | Straight | 50 | |

| SMA to HD-BNC | | | | | |
|-----------------|----------|-------------|-------------|-----------|----------|
| Part Number | Side 1 | Side 2 | Orientation | Impedance | Features |
| APH-HDBNCJ-SMAJ | SMA Jack | HD-BNC Jack | Straight | 50 | |
| APH-HDBNCP-SMAJ | SMA Jack | HD-BNC Plug | Straight | 50 | |
| APH-HDBNCP-SMAP | SMA Plug | HD-BNC Plug | Straight | 50 | |

| SMA to MCX | | | | | |
|---------------|----------|----------|-------------|-----------|---------------|
| Part Number | Side 1 | Side 2 | Orientation | Impedance | Features |
| 242129 | SMA Jack | MCX Jack | Straight | 50 | |
| 242127 | SMA Jack | MCX Plug | Straight | 50 | |
| 242234 | SMA Jack | MCX Plug | Straight | 50 | 2-Hole Flange |
| APH-SMAJ-MCXP | SMA Jack | MCX Plug | Straight | 50 | |
| 242126 | SMA Plug | MCX Jack | Straight | 50 | |
| 242128 | SMA Plug | MCX Plug | Straight | 50 | |

SMA to Mini-UHF

| Part Number | Side 1 | Side 2 | Orientation | Impedance | Features |
|-------------|----------|---------------|-------------|-----------|----------|
| 242119 | SMA Jack | Mini-UHF Jack | Straight | 50 | |
| 242117 | SMA Jack | Mini-UHF Plug | Straight | 50 | |
| 242116 | SMA Plug | Mini-UHF Jack | Straight | 50 | |

SMA to MMCX

| Part Number | Side 1 | Side 2 | Orientation | Impedance | Features |
|-------------|----------|-----------|-------------|-----------|----------|
| 242143 | SMA Jack | MMCX Jack | Straight | 50 | |
| 242237 | SMA Jack | MMCX Jack | Straight | 50 | Bulkhead |
| 242141 | SMA Jack | MMCX Plug | Straight | 50 | |
| 242193 | SMA Jack | MMCX Plug | Straight | 50 | Bulkhead |
| 242140 | SMA Plug | MMCX Jack | Straight | 50 | |
| 242142 | SMA Plug | MMCX Plug | Straight | 50 | |

SMA to N-Type

| Part Number | Side 1 | Side 2 | Orientation | Impedance | Features |
|---------------|----------|-------------|-------------|-----------|----------|
| 242115 | SMA Jack | N-Type Jack | Straight | 50 | |
| 242125 | SMA Jack | N-Type Jack | Straight | 50 | |
| 242125-10 | SMA Jack | N-Type Jack | Straight | 50 | |
| 242163 | SMA Jack | N-Type Jack | Straight | 50 | |
| 901-3143-1000 | SMA Jack | N-Type Jack | Straight | 50 | |
| 901-9720 | SMA Jack | N-Type Jack | Straight | 50 | |
| APH-SMAJ-NJ | SMA Jack | N-Type Jack | Straight | 50 | |
| 242113 | SMA Jack | N-Type Plug | Straight | 50 | |
| 901-294 | SMA Plug | N-Type Plug | Straight | 50 | |
| 242112 | SMA Plug | N-Type Jack | Straight | 50 | |
| 242265 | SMA Plug | N-Type Jack | Straight | 50 | |
| 901-293 | SMA Plug | N-Type Jack | Straight | 50 | |
| APH-SMAP-NJ | SMA Plug | N-Type Jack | Straight | 50 | |
| 242114 | SMA Plug | N-Type Plug | Straight | 50 | |

SMA to QMA

| Part Number | Side 1 | Side 2 | Orientation | Impedance | Features |
|--------------|----------|----------|-------------|-----------|----------------|
| 242262 | SMA Jack | QMA Jack | Straight | 50 | |
| 930-100A-51S | SMA Jack | QMA Jack | Straight | 50 | Bulkhead |
| 242261 | SMA Jack | QMA Plug | Straight | 50 | Bulkhead, IP68 |
| 930-101A-51S | SMA Jack | QMA Plug | Straight | 50 | 4-Hole Flange |
| 242263 | SMA Plug | QMA Plug | Straight | 50 | |
| 242260 | SMA Plug | QMA Plug | Straight | 50 | 4-Hole Flange |

SMA to RP-SMA

| Part Number | Side 1 | Side 2 | Orientation | Impedance | Features |
|-------------|----------|-------------|-------------|-----------|----------|
| 132169RP | SMA Jack | RP-SMA Jack | Straight | 50 | |
| 132170RP | SMA Jack | RP-SMA Jack | Straight | 50 | Bulkhead |
| 132171RP | SMA Plug | RP-SMA Jack | Straight | 50 | |
| 132172RP | SMA Plug | RP-SMA Jack | Straight | 50 | |
| 132168RP | SMA Plug | RP-SMA Plug | Straight | 50 | |

COAXIAL ADAPTERS SERIES

SMA to RP-SMB

| Part Number | Side 1 | Side 2 | Orientation | Impedance | Features |
|-------------|----------|-------------|-------------|-----------|----------|
| 242145RP | SMA Jack | RP-SMB Plug | Straight | 50 | |

SMA to RP-TNC

| Part Number | Side 1 | Side 2 | Orientation | Impedance | Features |
|-------------|----------|-------------|-------------|-----------|----------|
| 242107RP | SMA Jack | RP-TNC Jack | Straight | 50 | |
| 242105RP | SMA Jack | RP-TNC Plug | Straight | 50 | |
| 242105RP-10 | SMA Jack | RP-TNC Plug | Straight | 50 | |
| 242124RP | SMA Plug | RP-TNC Jack | Straight | 50 | |
| 242106RP | SMA Plug | RP-TNC Plug | Straight | 50 | |

SMA to SMA

| Part Number | Side 1 | Side 2 | Orientation | Impedance | Features |
|--------------|----------|----------|-------------|-----------|---------------------------------|
| 132169 | SMA Jack | SMA Jack | Straight | 50 | |
| 132169SS | SMA Jack | SMA Jack | Straight | 50 | Stainless Steel |
| 132170 | SMA Jack | SMA Jack | Straight | 50 | Bulkhead |
| 132170-12SS | SMA Jack | SMA Jack | Straight | 50 | Bulkhead, IP68, Stainless Steel |
| 132274 | SMA Jack | SMA Jack | Right Angle | 50 | |
| 132340 | SMA Jack | SMA Jack | Straight | 50 | 4-Hole Flange |
| 132171 | SMA Jack | SMA Plug | Straight | 50 | |
| 132172 | SMA Jack | SMA Plug | Right Angle | 50 | |
| 901-9216 | SMA Jack | SMA Plug | Straight | 50 | Stainless Steel |
| 901-9219-ASF | SMA Jack | SMA Plug | Right Angle | 50 | Stainless Steel |
| 132168 | SMA Plug | SMA Plug | Straight | 50 | |
| 901-9218 | SMA Plug | SMA Plug | Straight | 50 | Stainless Steel |
| 132339 | SMA Plug | SMA Plug | Right Angle | 50 | |

SMA to SMB

| Part Number | Side 1 | Side 2 | Orientation | Impedance | Features |
|-------------|----------|----------|-------------|-----------|----------|
| 242147 | SMA Jack | SMB Jack | Straight | 50 | |
| 242182 | SMA Jack | SMB Jack | Straight | 50 | Bulkhead |
| 242145 | SMA Jack | SMB Plug | Straight | 50 | |
| 901-9034 | SMA Jack | SMB Plug | Straight | 50 | |
| 242144 | SMA Plug | SMB Jack | Straight | 50 | |
| 242146 | SMA Plug | SMB Plug | Straight | 50 | |

SMA to SMC

| Part Number | Side 1 | Side 2 | Orientation | Impedance | Features |
|-------------|----------|----------|-------------|-----------|----------|
| 242176 | SMA Jack | SMB Jack | Straight | 50 | |
| 242175 | SMA Jack | SMB Plug | Straight | 50 | Bulkhead |
| 242174 | SMA Plug | SMB Jack | Straight | 50 | |
| 242177 | SMA Plug | SMB Plug | Straight | 50 | |

SMA to SMP

| Part Number | Side 1 | Side 2 | Orientation | Impedance | Features |
|---------------|----------|----------|-------------|-----------|----------|
| AD-SMAPSMPJ-1 | SMA Plug | SMB Jack | Straight | 50 | |

COAXIAL ADAPTERS SERIES

SMA to SSMA

| Part Number | Side 1 | Side 2 | Orientation | Impedance | Features |
|-------------|----------|-----------|-------------|-----------|----------|
| 242189 | SMA Plug | SSMA Jack | Straight | 50 | |

SMA to SSMB

| Part Number | Side 1 | Side 2 | Orientation | Impedance | Features |
|-------------|----------|-----------|-------------|-----------|----------|
| 242200 | SMA Plug | SSMA Jack | Straight | 50 | |

SMA to N-Type

| Part Number | Side 1 | Side 2 | Orientation | Impedance | Features |
|---------------|----------|----------|-------------|-----------|----------|
| 242107 | SMA Jack | TNC Jack | Straight | 50 | |
| 242178 | SMA Jack | TNC Jack | Straight | 50 | |
| 242178-10 | SMA Jack | TNC Jack | Straight | 50 | IP68 |
| 901-171 | SMA Jack | TNC Jack | Straight | 50 | |
| 901-280 | SMA Jack | TNC Jack | Straight | 50 | |
| 242105 | SMA Jack | TNC Plug | Straight | 50 | |
| APH-SMAJ-TNCP | SMA Jack | TNC Plug | Straight | 50 | |
| 242124 | SMA Plug | TNC Jack | Straight | 50 | |
| APH-SMAP-TNCJ | SMA Plug | TNC Jack | Straight | 50 | |
| 242106 | SMA Plug | TNC Plug | Straight | 50 | |
| 901-168 | SMA Plug | TNC Plug | Straight | 50 | |

SMA to UHF

| Part Number | Side 1 | Side 2 | Orientation | Impedance | Features |
|-------------|----------|----------|-------------|-----------|----------|
| 242111 | SMA Jack | UHF Jack | Straight | 50 | |
| 242109 | SMA Jack | UHF Plug | Straight | 50 | |
| 242108 | SMA Plug | UHF Plug | Straight | 50 | |
| 242110 | SMA Plug | UHF Jack | Straight | 50 | |

[VIEW ALL SMA ADAPTERS](#)

SMB ADAPTERS



The SMB product series features a snap-on coupling mechanism and is available in 50 and 75 ohm configurations. These interconnects offer broadband performance with low reflection from DC to 4 GHz and utilize die cast components on non-critical areas to provide a low cost solution.

| Part Number | Side 1 | Side 2 | Orientation | Impedance | Features |
|-------------|----------|-------------|-------------|-----------|---------------|
| 242186 | SMA Jack | BNC Jack | Straight | 50 | |
| 242184 | SMB Jack | BNC Plug | Straight | 50 | |
| 242224 | SMB Jack | F-Type Jack | Straight | 50 | Bulkhead |
| 242198 | SMB Jack | N-Type Jack | Straight | 50 | 4-Hole Flange |
| 242183 | SMB Jack | N-Type Jack | Straight | 50 | Bulkhead |
| 242182 | SMB Jack | SMA Jack | Straight | 50 | Bulkhead |
| 242147 | SMB Jack | SMA Jack | Straight | 50 | |
| 242144 | SMB Jack | SMA Plug | Straight | 50 | |
| 142250 | SMB Jack | SMA Jack | Straight | 50 | Bulkhead |
| 142244 | SMB Jack | SMA Jack | Straight | 50 | |
| 142310 | SMB Jack | SMB Plug | Straight | 50 | |
| 142248 | SMB Jack | SMB Plug | Right Angle | 50 | |
| 242185 | SMB Plug | BNC Jack | Straight | 50 | |

COAXIAL ADAPTERS SERIES

| Part Number | Side 1 | Side 2 | Orientation | Impedance | Features |
|--------------------------|----------|-------------|-------------|-----------|----------|
| 242187 | SMB Plug | BNC Plug | Straight | 50 | |
| 242223 | SMB Plug | F-Type Jack | Straight | 50 | Bulkhead |
| 242145 | SMB Plug | SMA Jack | Straight | 50 | |
| 901-9034 | SMB Plug | SMA Jack | Straight | 50 | |
| 242146 | SMB Plug | SMB Plug | Straight | 50 | |
| 142246 | SMB Plug | SMB Plug | Straight | 50 | |
| 142245 | SMB Plug | SMB Plug | Straight | 50 | |
| 242202 | SMB Plug | SMC Jack | Straight | 50 | |
| 242228 | SMB Plug | SMB Plug | Straight | 50 | |

[VIEW ALL SMB ADAPTERS](#)

SMC ADAPTERS



The SMC interface features a threaded coupling mechanism and it available in 50 and 75 ohm configurations. These interconnects offer broadband performance with low reflection from DC to 10 GHz. They are ideal for telecommunications and instrumentation applications.

| Part Number | Side 1 | Side 2 | Orientation | Impedance | Features |
|------------------------|----------|----------|-------------|-----------|----------|
| 242176 | SMC Jack | SMA Jack | Straight | 50 | |
| 242174 | SMC Jack | SMA Plug | Straight | 50 | |
| 242202 | SMC Jack | SMB Plug | Straight | 50 | |
| 152145 | SMC Jack | SMC Jack | Straight | 50 | Bulkhead |
| 242175 | SMC Plug | SMA Jack | Straight | 50 | |
| 242177 | SMC Plug | SMA Plug | Straight | 50 | |
| 242228 | SMC Plug | SMB Plug | Straight | 50 | |

[VIEW ALL SMC ADAPTERS](#)

SMP ADAPTERS



The SMP product series features a subminiature interface in the same scale as the MMCX but with a frequency range of DC to 40 GHz. These interconnects are available in multiple configurations with both push-on and snap-on mating styles. The product family can be utilized as a highly shielded interconnect for high data rate applications for in a board-to-board system using a floating bullet which compensates for radial and axial misalignment.

| Part Number | Side 1 | Side 2 | Orientation | Impedance | Features |
|-------------------------------|----------|----------|-------------|-----------|----------|
| AD-SMAPSMPJ-1 | SMP Jack | SMA Plug | Straight | 50 | |
| SMP-FSBA-990 | SMP Plug | SMP Plug | Straight | 50 | |
| SMP-FSBA-739 | SMP Plug | SMP Plug | Straight | 50 | |
| SMP-FSBA-696 | SMP Plug | SMP Plug | Straight | 50 | |
| SMP-FSBA-645 | SMP Plug | SMP Plug | Straight | 50 | |
| SMP-FSBA-594 | SMP Plug | SMP Plug | Straight | 50 | |
| SMP-FSBA-254 | SMP Plug | SMP Plug | Straight | 50 | |
| SMP-FSBA-224 | SMP Plug | SMP Plug | Straight | 50 | |
| SMP-FSBA-145 | SMP Plug | SMP Plug | Straight | 50 | |
| SMP-FSBA-093 | SMP Plug | SMP Plug | Straight | 50 | |
| SMP-FSBA-090 | SMP Plug | SMP Plug | Straight | 50 | |

[VIEW ALL SMP ADAPTERS](#)

COAXIAL ADAPTERS SERIES

SMPM ADAPTERS



The SMPM product series features a micro-miniature interface with excellent electrical performance up to 65 GHz. SMPM interconnects are commonly used in miniaturized high frequency coaxial modules and are available in a variety of configurations and termination styles.

| Part Number | Side 1 | Side 2 | Orientation | Impedance | Features |
|------------------------------|-----------|-----------|-------------|-----------|---------------|
| 925-165A-51S | SMPM Plug | SMPM Plug | Straight | 50 | |
| 925-142A-51S | SMPM Plug | SMPM Plug | Straight | 50 | |
| 925-141A-51S | SMPM Plug | SMPM Plug | Straight | 50 | Bulkhead |
| 925-106A-51S | SMPM Plug | SMPM Plug | Straight | 50 | 4-Hole Flange |
| 925-166A-51S | SMPM Plug | SMPM Plug | Straight | 50 | Bulkhead |
| 925-167A-51S | SMPM Plug | SMPM Plug | Straight | 50 | Bulkhead |

[VIEW ALL SMPM ADAPTERS](#)

SSMA ADAPTERS

The SSMA product series is designed with a threaded coupling mechanism and is essentially a scaled down version of the SMA. SSMA interconnects are characterized by their compactness, high frequency bandwidth and reliable mechanical performance.

| Part Number | Side 1 | Side 2 | Orientation | Impedance | Features |
|------------------------|-----------|----------|-------------|-----------|----------|
| 242189 | SSMA Jack | SMA Plug | Straight | 50 | |

[VIEW ALL SSMA ADAPTERS](#)

SSMB ADAPTERS

The SSMB product series is a smaller version of the standard SMB connector. This interface provides excellent electrical performance with a micro-miniature footprint. The compact design makes it ideal for applications with space constraints.

| Part Number | Side 1 | Side 2 | Orientation | Impedance | Features |
|---------------------------|-----------|----------|-------------|-----------|----------|
| 242200 | SSMB Jack | SMA Plug | Straight | 50 | |
| 242200-10 | SSMB Jack | SMA Plug | Straight | 50 | |

[VIEW ALL SSMB ADAPTERS](#)

TNC ADAPTERS



The TNC product series features a micro-miniature, threaded and waterproof design. The durable construction makes them ideal for vibration intense applications.

| Part Number | Side 1 | Side 2 | Orientation | Impedance | Features |
|---------------------------|----------|-------------|-------------|-----------|--------------------|
| 122348 | TNC Jack | TNC Jack | Straight | 50 | |
| 122346 | TNC Jack | TNC Jack | Straight | 50 | Isolated, Bulkhead |
| 122347 | TNC Jack | TNC Jack | Straight | 75 | Isolated, Bulkhead |
| 122430 | TNC Jack | TNC Jack | Straight | 50 | Bulkhead |
| 031-6200 | TNC Jack | TNC Jack | Straight | 75 | Bulkhead |
| 122491 | TNC Jack | TNC Jack | Straight | 50 | 4-Hole Flange |
| 122348RP | TNC Jack | TNC RP-Jack | Straight | 50 | |
| 122498RP | TNC Jack | TNC RP-Plug | Straight | 50 | |
| 122352 | TNC Plug | TNC Jack | Right Angle | 50 | |
| 122350 | TNC Plug | TNC Plug | Straight | 50 | |
| 122498 | TNC Plug | TNC Jack | Straight | 50 | |
| 122498-75 | TNC Plug | TNC Jack | Straight | 75 | |
| 122350RP | TNC Plug | TNC RP-Plug | Straight | 50 | |

[VIEW ALL TNC ADAPTERS](#)

COAXIAL ADAPTERS SERIES

TRIAX ADAPTERS



Triax interconnects are ideal for applications where maximum RF shielding and minimum noise radiation is required. They are designed for harsh environments with high temperature, and can be tested and approved for use in nuclear reactor chambers.

| Part Number | Side 1 | Side 2 | Orientation | Impedance | Features |
|----------------------------|------------|------------|-------------|--------------|----------|
| 031-8356-2 | Triax Jack | Triax Jack | Straight | Non-Constant | Bulkhead |
| 000-53225 | Triax Jack | Triax Jack | Straight | Non-Constant | Bulkhead |

[VIEW ALL TRIAX ADAPTERS](#)

TWINAX ADAPTERS



Twinax interconnects are designed with improved shielding characteristics and are primarily used in balanced low level and high sensitivity circuits. These products feature a keyway polarization to ensure system integrity and prevent signals from being mixed, making them ideal for computer network applications.

| Part Number | Side 1 | Side 2 | Orientation | Impedance | Features |
|------------------------------|-------------|-------------|-------------|--------------|----------|
| 082-5588-RFX | Twinax Jack | Twinax Jack | Straight | Non-Constant | |
| 000-7925-RFX | Twinax Jack | Twinax Jack | Straight | Non-Constant | Bulkhead |

[VIEW ALL TWINAX ADAPTERS](#)

UHF ADAPTERS



The UHF product series features general purpose units developed for use in low frequency systems. UHF interconnects are designed with a threaded coupling mechanism and solderable screw-on termination feature which requires no specialized crimping tools.

| Part Number | Side 1 | Side 2 | Orientation | Impedance | Features |
|--------------------------------------|----------|---------------|-------------|--------------|----------|
| 242165 | UHF Jack | BNC Jack | Straight | Non-Constant | |
| 242134 | UHF Jack | BNC Plug | Straight | Non-Constant | Bulkhead |
| 000-2900 (UG-255/U) | UHF Jack | BNC Plug | Straight | 50 | |
| 242153 | UHF Jack | Mini-UHF Plug | Straight | 50 | |
| 242155 | UHF Jack | N-Type Plug | Straight | 50 | |
| 000-34125 (UG-83B/U) | UHF Jack | N-Type Plug | Straight | 50 | |
| 000-4400 (UG-146/U) | UHF Jack | N-Type Plug | Straight | 50 | |
| 242111 | UHF Jack | SMA Jack | Straight | 50 | |
| 242108 | UHF Jack | SMA Plug | Straight | 50 | |
| 182319 | UHF Jack | UHF Jack | Straight | 50 | Bulkhead |
| 182109 | UHF Jack | UHF Jack | Straight | 50 | |
| 083-1J-RFX | UHF Jack | UHF Jack | Straight | Non-Constant | |
| 083-1J | UHF Jack | UHF Jack | Straight | Non-Constant | |
| 083-1F (UG-363/U) | UHF Jack | UHF Jack | Straight | Non-Constant | |
| 182134 | UHF Jack | UHF Plug | Right Angle | 50 | |
| 083-1AP | UHF Jack | UHF Plug | Right Angle | Non-Constant | |
| 242164 | UHF Plug | BNC Jack | Straight | 50 | |
| 031-28-RFX | UHF Plug | BNC Jack | Straight | 50 | |
| 031-28 (UG-273/U) | UHF Plug | BNC Jack | Straight | 50 | |
| 192110 | UHF Plug | FME Plug | Straight | 50 | |
| 000-14000 (UG-83/U) | UHF Plug | N-Type Jack | Straight | Non-Constant | |
| 242109 | UHF Plug | SMA Jack | Straight | 50 | |
| 242110 | UHF Plug | SMA Plug | Straight | 50 | |
| 242241 | UHF Plug | TNC Jack | Straight | 50 | |
| 083-877 | UHF Plug | UHF Plug | Straight | Non-Constant | |

[VIEW ALL UHF ADAPTERS](#)

COAXIAL ADAPTERS SERIES

TEE-ADAPTERS



Tee Adapters allow for three RF interfaces to be connected together.

| Part Number | Tee-adapter Type | Tee-adapter Gender | Impedance | Features |
|--------------------------------------|------------------|--------------------|--------------|----------|
| 000-17450 | BNC | Jack-Jack-Jack | 50 | |
| 112455 | BNC | Jack-Jack-Jack | 50 | |
| 112456 | BNC | Jack-Jack-Jack | 75 | |
| 000-21900 | BNC | Jack-Jack-Plug | 50 | |
| 112590 | BNC | Jack-Jack-Plug | 50 | |
| 031-208 (UG-274A/U) | BNC | Jack-Jack-Jack | 50 | |
| 031-208-1051 | BNC | Jack-Jack-Jack | 50 | |
| 031-208-RFX | BNC | Jack-Jack-Jack | 50 | |
| 031-2208 (UG-274B/U) | BNC | Jack-Jack-Jack | 50 | |
| 031-4564 | BNC | Jack-Jack-Jack | 50 | |
| 031-70036 | BNC | Jack-Jack-Jack | 75 | |
| 031-8 (UG-274/U) | BNC | Jack-Jack-Jack | 50 | |
| 112459 | BNC | Jack-Jack-Jack | 50 | |
| 112461 | BNC | Jack-Jack-Jack | 50 | |
| 112462 | BNC | Jack-Jack-Jack | 75 | |
| 112567 | BNC | Plug-Jack-Jack | 50 | |
| 112771 | BNC | Plug-Jack-Jack | 50 | |
| 000-27750 | BNC | Plug-Jack-Plug | 50 | |
| 034-1023 | HD-BNC | Jack-Jack-Jack | 75 | |
| 082-102-RFX | N Type | Jack-Jack-Jack | 50 | |
| 082-99 (UG-28A/U) | N Type | Jack-Jack-Jack | 50 | |
| 172127 | N Type | Jack-Jack-Jack | 50 | |
| 172127S | N Type | Jack-Jack-Jack | 50 | |
| 172233 | N Type | Jack-Jack-Jack | 50 | |
| 082-102 (UG-107B/U) | N Type | Jack-Plug-Jack | 50 | |
| 172125 | N Type | Jack-Plug-Jack | 50 | |
| 901-178 | SMA | Jack-Jack-Jack | 50 | |
| 132216 | SMA | Jack-Jack-Jack | 50 | |
| 132216SS | SMA | Jack-Jack-Jack | 50 | |
| 901-382-1 | SMA | Jack-Jack-Plug | 50 | |
| 901-305 | SMA | Jack-Plug-Jack | 50 | |
| 132217 | SMA | Jack-Plug-Jack | 50 | |
| 132399 | SMA | Plug-Plug-Plug | 50 | |
| 142299 | SMB | Jack-Jack-Jack | 50 | |
| 142300 | SMB | Jack-Plug-Jack | 50 | |
| 122355 | TNC | Jack-Jack-Jack | 75 | |
| 122354 | TNC | Jack-Jack-Jack | 50 | |
| 000-79700 | TNC | Jack-Plug-Jack | 50 | |
| 122356 | TNC | Jack-Plug-Jack | 50 | |
| 122357 | TNC | Jack-Plug-Jack | 50 | |
| 031-41050-4 | Triax | Jack-Plug-Jack | Non-Constant | |
| 082-5677-RFX | Twinax | Jack-Jack-Jack | Non-Constant | |
| 162106 | Twinax | Jack-Jack-Jack | 50 | |
| 000-26850-RFX | Twinax | Jack-Plug-Jack | Non-Constant | |
| 083-1T | UHF | Jack-Plug-Jack | Non-Constant | |

[VIEW ALL TEE-ADAPTERS](#)



Amphenol® RF

www.amphenolrf.com

North America

Amphenol RF Global HQ

4 Old Newtown Road
Danbury, CT 06810

Toll Free: (800) 627-7100

International: (203) 743-9272

Email: sales@amphenolrf.com

Western US Sales Office

5069 Maureen Lane, Suite B
Moorpark, CA 93021

Mexico

Circunvalacion del Mar 56
Parque Industrial de
Nogales
Nogales, Sonora, C.P.
84094

Asia

China

Block DM2
Tang Wei Industrial District
Gong Ming Street
Guang Ming New District
Shenzhen City, Guangdong
Province, P.R. China

China

No. 55, Industry 2nd Road
Aerospace Economic Technology
Development Zone
Xi'an, Shaanxi Province
P.R. China

India

Plot 3/4B & 5A
CMDA's Industrial Area
Maraimalai Nagar
Kilkarantai Village
Chengleput Taluk, Kancheepuram
Chennai, 603209

Europe

Amphenol RF Europe

Hoofdveste 19
3992 DH Houten
The Netherlands

Tel: +31 30 635 8000

Tel: +31 30 637 7899

Email: info@amphenol-nl.com