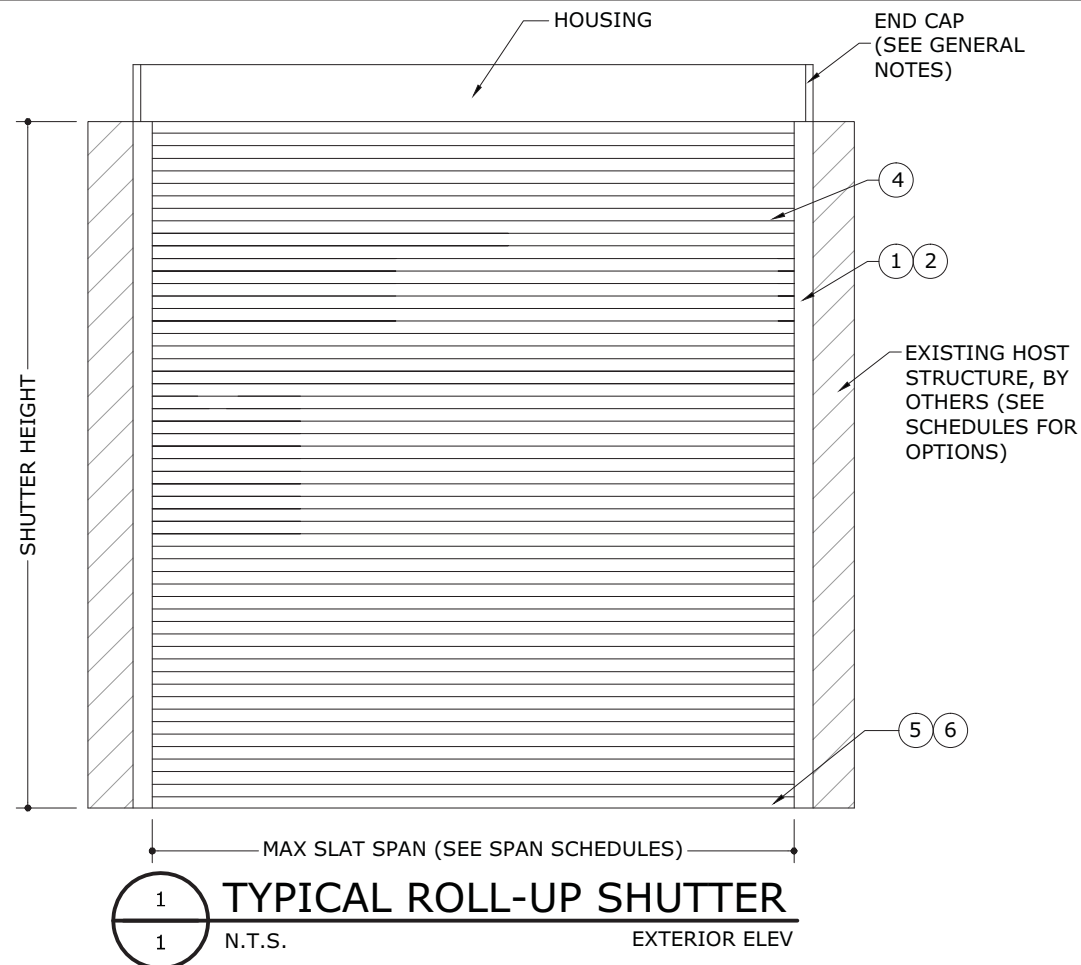


QOMPACT3 - AL8 ROLL-UP HURRICANE SHUTTER



SPAN SCHEDULE	
SLAT SPAN	ALLOWABLE DESIGN PRESSURE
48"	± 246.7 PSF
54"	± 229.5 PSF
60"	± 214.3 PSF
66"	± 212.4 PSF
72"	± 213.3 PSF
78"	± 198.3 PSF
84"	± 187.0 PSF
90"	± 178.2 PSF
96"	± 171.0 PSF
102"	± 165.1 PSF
108"	± 160.1 PSF
114"	± 155.8 PSF
120"	± 152.0 PSF
126"	± 148.5 PSF
132"	± 145.4 PSF
138"	± 142.6 PSF
144"	± 140.0 PSF
150"	± 131.9 PSF
156"	± 124.7 PSF
162"	± 118.1 PSF
168"	± 112.1 PSF
174"	± 106.7 PSF
180"	± 101.7 PSF
186"	± 97.1 PSF
192"	± 92.9 PSF
198"	± 89.0 PSF
204"	± 85.4 PSF
210"	± 82.1 PSF
216"	± 79.0 PSF
222"	± 76.1 PSF
228"	± 73.4 PSF
236"	± 70.0 PSF

GLASS SEPARATION SCHEDULE		
SLAT SPAN	INSTALLATIONS ≤ 30' ABOVE	INSTALLATIONS > 30' ABOVE
48"	4.50"	4.50"
54"	6.00"	6.00"
60"	6.00"	6.00"
66"	7.00"	7.00"
72"	8.00"	8.00"
78"	8.00"	8.00"
84"	8.50"	8.50"
90"	8.50"	8.50"
96"	9.00"	9.00"
102"	9.00"	9.00"
108"	9.00"	9.00"
114"	9.50"	9.50"
120"	9.50"	9.50"
126"	9.50"	9.50"
132"	10.00"	10.00"
138"	10.00"	10.00"
144"	10.00"	10.00"
150"	14.00"	10.50"
156"	14.00"	10.50"
162"	14.00"	10.50"
168"	14.00"	11.00"
174"	14.00"	11.00"
180"	14.00"	11.50"
186"	14.00"	11.50"
192"	14.00"	12.00"
198"	14.00"	12.00"
204"	14.00"	12.00"
210"	14.00"	12.50"
216"	14.00"	12.50"
222"	14.00"	12.50"
228"	14.00"	13.00"
236"	14.00"	13.00"

GENERAL NOTES

1. THE SYSTEM DESCRIBED HEREIN HAS BEEN DESIGNED AND TESTED IN ACCORDANCE WITH THE FLORIDA BUILDING CODE SEVENTH EDITION (2020), FOR USE INSIDE AND OUTSIDE OUTSIDE THE HIGH VELOCITY HURRICANE ZONE, PER ASTM E330, E1886, AND E1996 AND TAS 201, 202 & 203 STANDARDS. SEE PRODUCT APPROVAL EVALUATION FOR ADDITIONAL INFORMATION.
2. NO 33-1/3% INCREASE IN ALLOWABLE STRESS HAS BEEN USED IN THE DESIGN OF THIS SYSTEM. WIND LOAD DURATION FACTOR Cd=1.6 HAS BEEN USED FOR WOOD ANCHOR DESIGN.
3. POSITIVE AND NEGATIVE DESIGN PRESSURES CALCULATED FOR USE WITH THIS SYSTEM SHALL BE DETERMINED PER SEPARATE ENGINEERING IN ACCORDANCE WITH THE GOVERNING CODE. PRESSURE REQUIREMENTS AS DETERMINED IN ACCORDANCE WITH ASCE 7 AND CHAPTER 1609 OF THE FLORIDA BUILDING CODE SHALL BE LESS THAN OR EQUAL TO THE POSITIVE OR NEGATIVE ASD DESIGN PRESSURE CAPACITY VALUES LISTED HEREIN FOR ANY ASSEMBLY AS SHOWN.
4. DESIGN PRESSURES NOTED HEREIN ARE BASED ON MAXIMUM TESTED PRESSURES DIVIDED BY A 1.5 SAFETY FACTOR.
5. THE SYSTEM DETAILED HEREIN IS GENERIC AND DOES NOT PROVIDE INFORMATION FOR A SPECIFIC SITE. FOR SITE CONDITIONS DIFFERENT FROM THE CONDITIONS DETAILED HEREIN, A LICENSED ENGINEER OR REGISTERED ARCHITECT SHALL PREPARE SITE SPECIFIC DOCUMENTS FOR USE IN CONJUNCTION WITH THIS DOCUMENT.
6. ROLL-UP MECHANISM, END CAP, AND HOOD ASSEMBLY ARE NOT PART OF THIS APPROVAL.
7. THIS DOCUMENT CONTAINS INFORMATION RELEVANT TO THE NECESSARY STRUCTURAL REQUIREMENTS OF THE SYSTEM INSTALLATION. COMPONENTS AND FASTENERS NOT REFERENCED WHICH ARE PART OF THE INTERNAL FABRICATION OF THE SPECIFIED SYSTEMS OR ASSEMBLIES SHALL BE PER MANUFACTURER PUBLISHED SPECIFICATIONS.
8. THE STRUCTURAL ADEQUACY OF THE EXISTING STRUCTURE TO WITHSTAND SUPERIMPOSED LOADS BY THIS SYSTEM SHALL BE VERIFIED BY OTHERS.
9. ALL EXTRUSIONS SHALL BE MINIMUM 6063-T6 ALUMINUM ALLOY, UNLESS NOTED OTHERWISE.
10. EACH SHUTTER ASSEMBLY SHALL BEAR A PERMANENT LABEL ON THE BOTTOM OF THE HOOD FACING THE EXTERIOR, OR ANYWHERE ELSE ALLOWED PER SECTION 1709.9.3 OF THE FBC 2020 WITH THE FOLLOWING MINIMUM INFORMATION:
QMI SECURITY SOLUTIONS
ITASCA, IL
MISSILE LEVEL D - ASTM E1886, E1996 & E330 - TAS 201, 202 & 203
FLORIDA PRODUCT APPROVAL NUMBER
11. ALL BOLTS & WASHERS SHALL BE ZINC COATED STEEL, GALVANIZED STEEL, OR STAINLESS STEEL WITH A MINIMUM TENSILE YIELD STRENGTH OF 60 KSI. ALL ALUMINUM 3/16"Ø OR 1/4"Ø POP RIVETS SHALL BE 7075-T6 OR STRONGER.
12. ALL STEEL IN CONTACT WITH ALUMINUM SHALL BE PAINTED OR PLATED AS PRESCRIBED IN THE ABOVE-NOTED BUILDING CODE.

VISIT ECALC.IO/32431

FOR ENGINEER CERTIFIED ORIGINALS
& MORE INFORMATION ABOUT THIS DOCUMENT
OR SCAN THIS QR CODE
VISIT ENGINEERINGEXPRESS.COM/STORE
FOR ADDITIONAL PLANS, REPORTS & RESOURCES



SPAN SCHEDULE NOTES:

- SLAT SPAN IS DEFINED AS THE DISTANCE BETWEEN RAILS FOR SINGLE SPAN ASSEMBLIES.
- LINEAR INTERPOLATION BETWEEN SHUTTER SPANS IS PERMITTED.

GLASS SEPARATION NOTES:

- SLAT SPAN IS DEFINED AS THE DISTANCE BETWEEN RAILS FOR SINGLE SPAN ASSEMBLIES.
- SEPARATION FROM GLAZING IS REQUIRED FOR ALL INSTALLATIONS THAT ARE REQUIRED TO MAINTAIN A MINIMUM SEPARATION BETWEEN THE SHUTTER AND ANY GLAZING, AS REQUIRED BY THE BUILDING DEPARTMENT OR AUTHORITY HAVING JURISDICTION.
- LINEAR INTERPOLATION BETWEEN SHUTTER SPANS IS NOT PERMITTED. FOR SPANS BETWEEN THOSE INDICATED ABOVE, THE SEPARATION FROM GLASS FOR THE NEXT HIGHER SPAN SHALL BE USED.

RICHARD NEET, P.E.
PE# 86488 CA# 9865



ENGINEERING EXPRESS
POSTAL ADDRESS:
401 W. ATLANTIC AVE R10 #219
DELRAY BEACH, FL 33444
ENGINEERINGEXPRESS.COM

QMI SECURITY SOLUTIONS
1661 GLENLAKE AVE.
ITASCA, IL 60143
PHONE: (866) 980-1750

QOM3 - AL8 ROLL-UP SHUTTER
FLORIDA BUILDING CODE SEVENTH ED (2020)
PRODUCT APPROVAL #FL 39156.1

REMARKS	DRWN	CHKD	DATE
INIT ISSUE	RWN	RWN	6/11/2021
REV - ADDL OPTIONS	RWN	RWN	8/15/2021
REV - ADDL OPTIONS	RWN	RWN	10/14/2021

COPYRIGHT ENGINEERING EXPRESS®

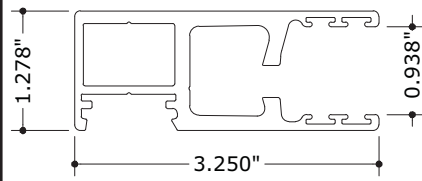
20-32431

SCALE: NTS UNLESS NOTED

OF 30

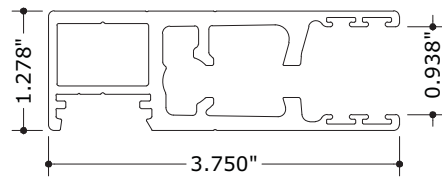
1

C:\Users\rickn\Engineering\Express\Production - Documents\Projects\20-32431 QMI QOM 3-AL8 Family Drawing\WP2020\FBC\20-32431h.QOM3 - AL8.dwg 10/18/2021 - 12:09pm rickn



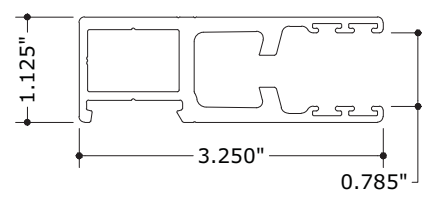
RETAIN ONLY RAIL
PQ010218
QOM3 RAIL #1

1A N.T.S. 6063-T6



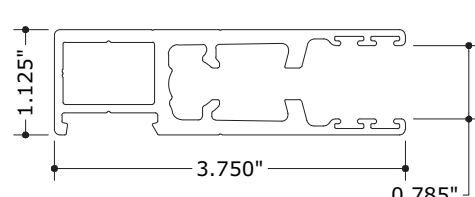
RETAIN AND STOP RAIL
PQ010219
QOM3 RAIL #2

1B N.T.S. 6063-T6



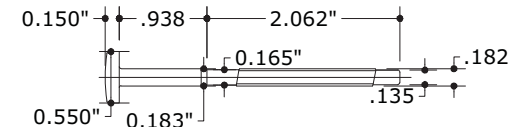
RETAIN ONLY RAIL
PQ010220
AL8 RAIL #1

2A N.T.S. 6063-T6



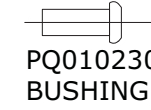
RETAIN AND STOP RAIL
PQ010221
AL8 RAIL #2

2B N.T.S. 6063-T6

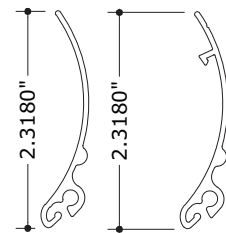


PQ010229
RETAINING
SCREW

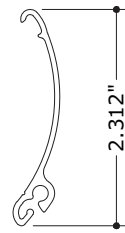
3 N.T.S. 6063-T6



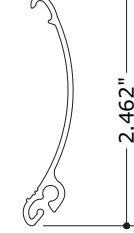
PQ010230
BUSHING



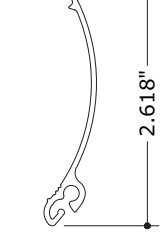
PQ010212 PQ010213
STARTER SLATS



SLAT #1
QOM3 - AL8
PQ010200



SLAT #2
QOM3 - AL8
PQ010201



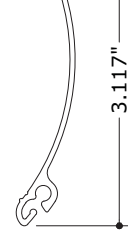
SLAT #3
QOM3 - AL8
PQ010202



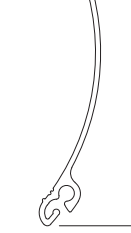
SLAT #4
QOM3 - AL8
PQ010203



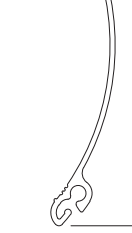
SLAT #5
QOM3
PQ010204



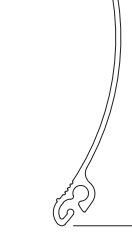
SLAT #6
QOM3
PQ010205



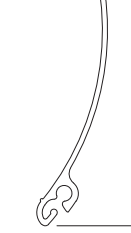
SLAT #7
QOM3
PQ010206



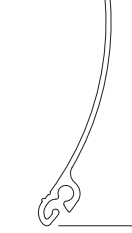
SLAT #8
QOM3
PQ010207



SLAT #9
QOM3
PQ010208



SLAT #10
QOM3
PQ010209

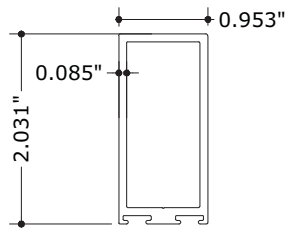


SLAT #11
QOM3
PQ010210



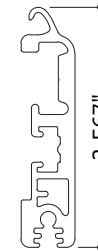
SLAT #12
QOM3
PQ010211

4 SINGLE WALL SLATS
N.T.S. 0.055\"/>



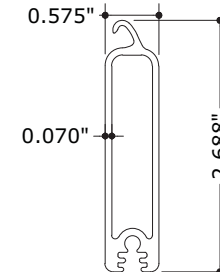
PQ010231
THUMB TURN
HOUSING

5 N.T.S. 6063-T6



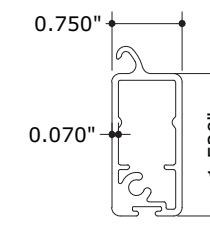
PQ010222
SLIDE LOCK
BASE SLAT

6A N.T.S. 6063-T6



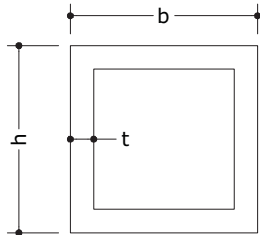
PQ010223
STANDARD
BASE SLAT

6B N.T.S. 6063-T6



PQ010224
SMALL
LOW PROFILE
BASE SLAT

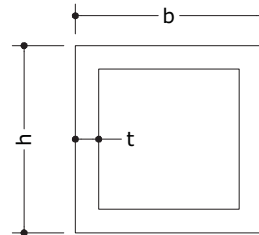
6C N.T.S. 6063-T6



BO/TRAP TUBE	b	h	t
7A	2"	2"	1/4"
7B	4"	4"	1/4"

BUILD OUT / TRAP
MOUNTED TUBES

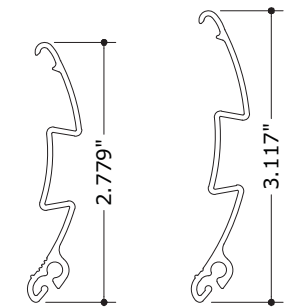
7 N.T.S. 6063-T6



MULLIONS	b	h	t
8A	4"	4"	1/4"
8B	4"	4"	1/4"
8C	4"	6"	1/4"
8D	4"	8"	1/4"

BUILD OUT / TRAP
MOUNTED TUBES

8 N.T.S. 6063-T6



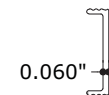
(SLAT 4) (SLAT 6)
PQ010214 PQ010215
FINGER PULL SLATS

9 N.T.S. 6063-T6



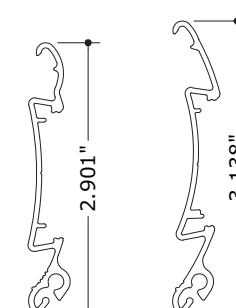
PQ010225
COUPLER

11 N.T.S. 6063-T6



PQ010226
RAIL SNAP COVER

11 N.T.S. 6063-T6



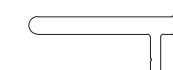
(SLAT 4) (SLAT 6)
PQ010216 PQ010217
UTILITY SLATS

12 N.T.S. 6063-T6



PQ010227
UTILITY SLAT SNAP COVER

13 N.T.S. 6063-T6



PQ010228
HANDLE

14 N.T.S. 6063-T6

RICHARD NEET, P.E.
PE# 86488 CA# 9865



POSTAL ADDRESS:
401 W. ATLANTIC AVE R10 #219
DELRAY BEACH, FL 33444
ENGINEERINGEXPRESS.COM

QMI SECURITY SOLUTIONS

1661 GLENLAKE AVE.
ITASCA, IL 60143
PHONE: (866) 980-1750

QOM3 - AL8 ROLL-UP SHUTTER
FLORIDA BUILDING CODE SEVENTH ED (2020)
PRODUCT APPROVAL #FL 39156.1

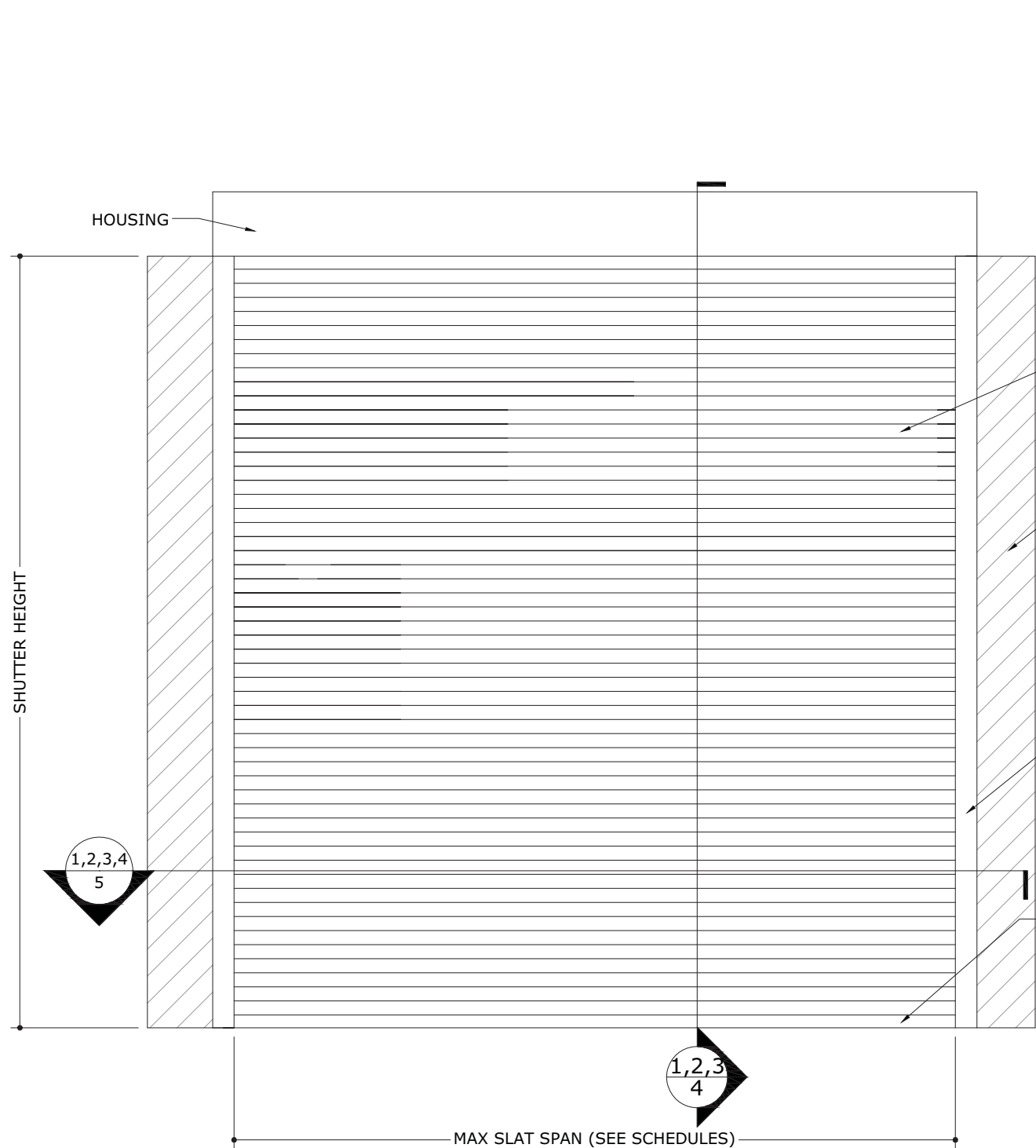
REMARKS	DRWN	CHKD	DATE
INIT ISSUE	RWN	RWN	6/11/2021
REV - ADDL OPTIONS	RWN	RWN	8/15/2021
REV - ADDL OPTIONS	RWN	RWN	10/14/2021

COPYRIGHT ENGINEERING EXPRESS®

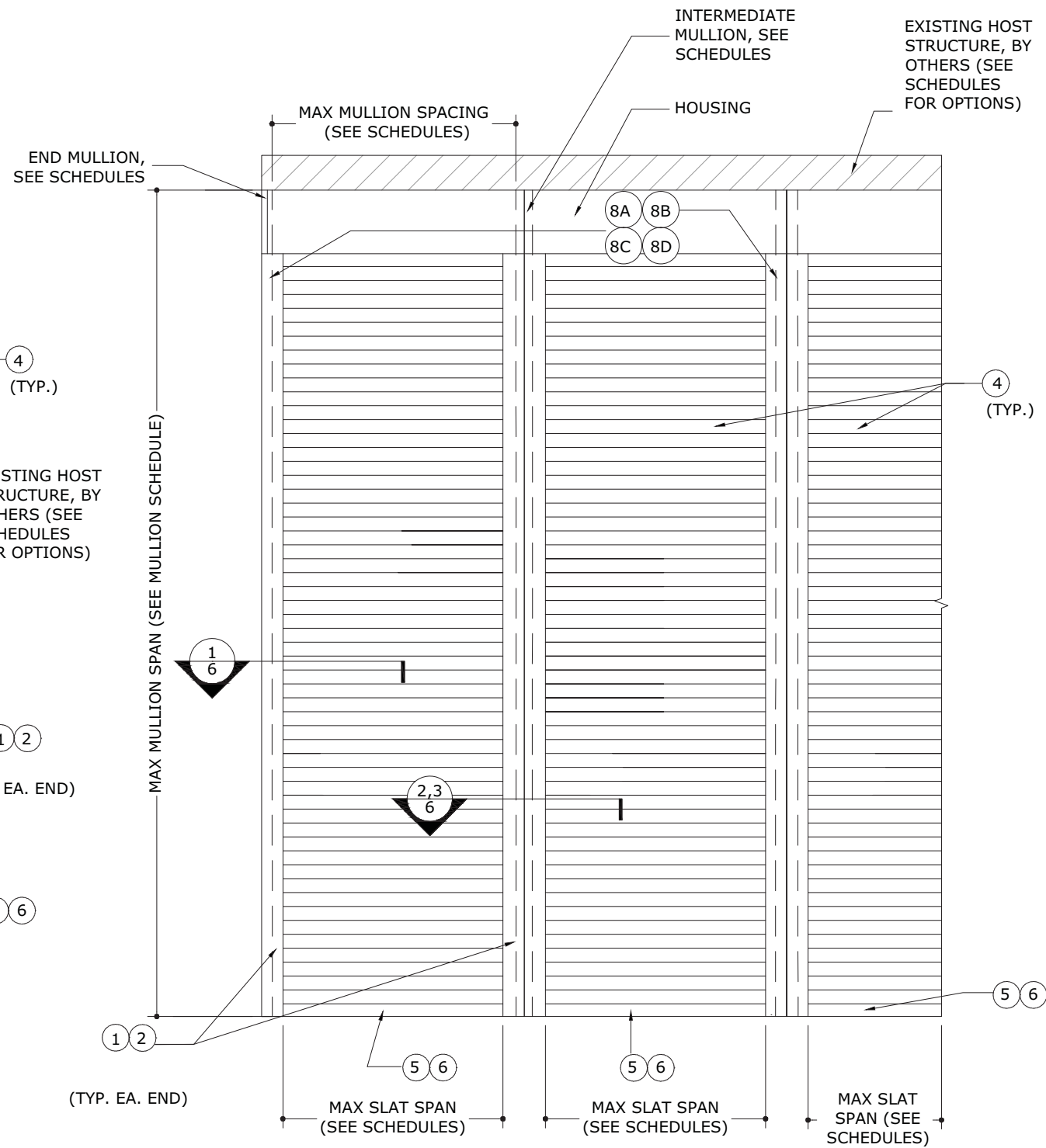
20-32431

SCALE: NTS UNLESS NOTED

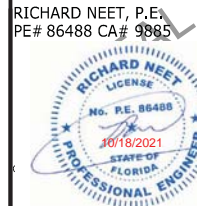
C:\Users\rickn\Engineering\Express\Production - Documents\Projects\20-32431 QMI QOM 3-AL8 Family Drawing\WP\2020\FBC\20-32431h.QOM3 - AL8.dwg
 10/18/2021 - 12:09pm rickn



1
 3
 TYPICAL SINGLE UNIT ELEVATION W/O MULLIONS
 N.T.S. EXTERIOR ELEV



2
 3
 TYPICAL CONSECUTIVE SINGLE UNIT ELEVATION WITH MULLIONS
 N.T.S. EXTERIOR ELEV



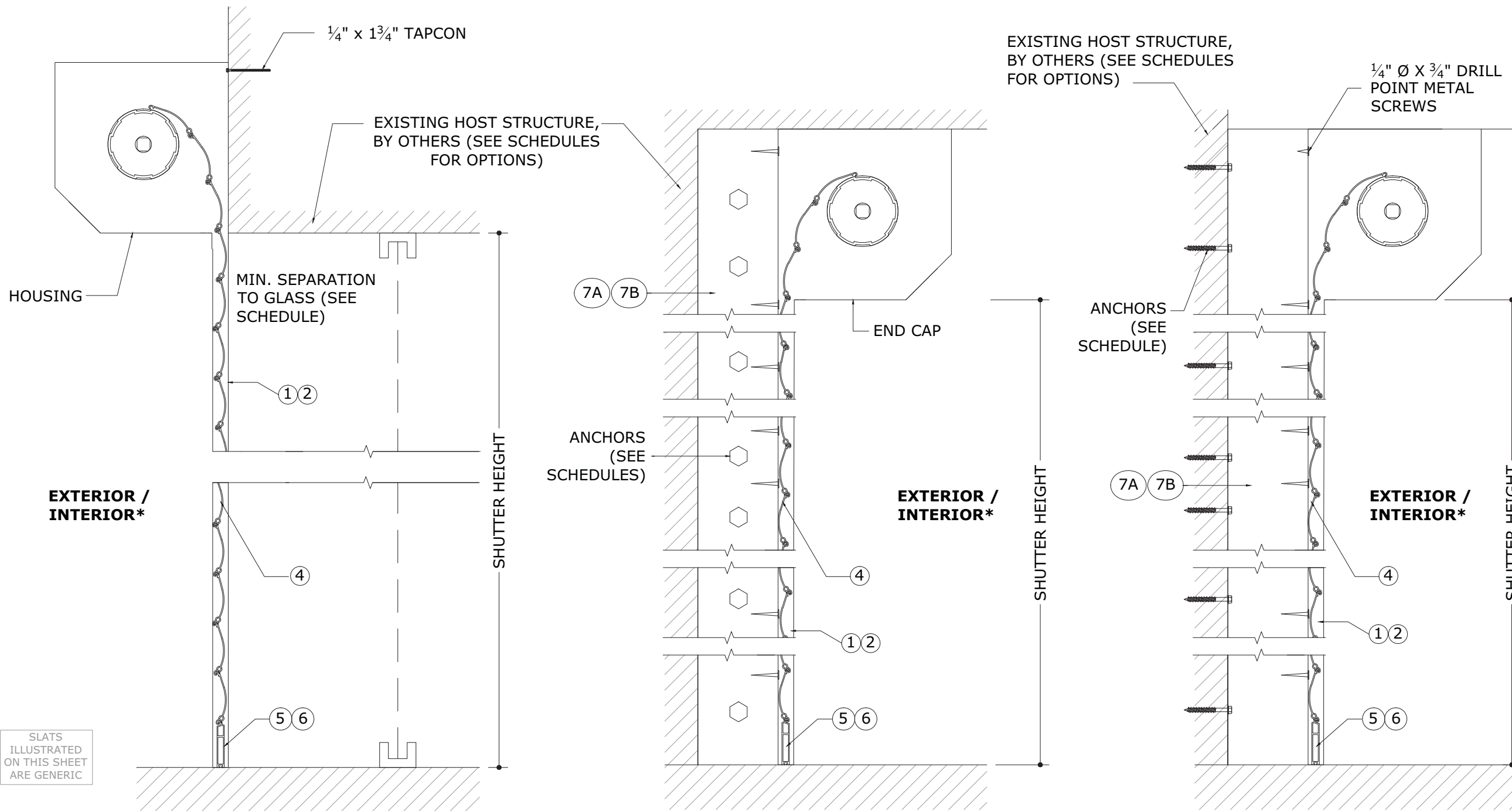
ENGINEERING EXPRESS
 POSTAL ADDRESS:
 401 W. ATLANTIC AVE R10 #219
 DELRAY BEACH, FL 33444
 ENGINEERINGEXPRESS.COM

QMI SECURITY SOLUTIONS
 1661 GLENLAKE AVE.
 ITASCA, IL 60143
 PHONE: (866) 980-1750
 QOM3 - AL8 ROLL-UP SHUTTER
 FLORIDA BUILDING CODE SEVENTH ED (2020)
 PRODUCT APPROVAL #FL 39156.1

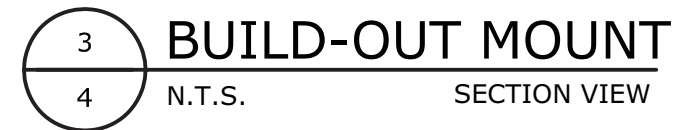
REMARKS	DRWN	CHKD	DATE
INIT ISSUE	C/SL	RWN	6/11/2021
REV - ADDL OPTIONS	RWN	RWN	8/15/2021
REV - ADDL OPTIONS	RWN	RWN	10/14/2021

COPYRIGHT ENGINEERING EXPRESS®
 20-32431
 SCALE: NTS UNLESS NOTED
 OF 30
 3

SHUTTER ATTACHMENT TO HOST



* WHEN REVERSE MOUNTED ADD 1" OF GLASS SEPARATION PER "GLASS SEPARATION SCHEDULE" ON SHEET 1



HOUSING NOTES:

1. HOUSING (0.034" THICK ALUM, 3105-H14 MIN)
2. END CAP (CAST ALUM, SHALL BE CAPABLE OF SUPPORTING SLAT AND LIFT MECHANISM WEIGHT)
3. HOOD HAS BEEN TESTED FOR IMPACT / CYCLING AND MAY BE INSTALLED WITHIN OPENING
4. EXTRUSIONS SHOWN HEREIN ARE GENERIC AND DO NOT REPRESENT THE ACTUAL SYSTEM

SLATS ILLUSTRATED ON THIS SHEET ARE GENERIC

C:\Users\rickn\Engineering\Express\Production - Documents\Projects\20-32431 QMI QOM 3-AL8 Family Drawing\WP\2020\FBC\20-32431h.QOM3 - AL8.dwg 10/18/2021 - 12:09pm rickn

RICHARD NEET, P.E.
PE# 86488 CA# 9865



POSTAL ADDRESS:
401 W. ATLANTIC AVE R10 #219
DELRAY BEACH, FL 33444
ENGINEERINGEXPRESS.COM

QMI SECURITY SOLUTIONS

1661 GLENLAKE AVE.
ITASCA, IL 60143
PHONE: (866) 980-1750

QOM3 - AL8 ROLL-UP SHUTTER
FLORIDA BUILDING CODE SEVENTH ED (2020)
PRODUCT APPROVAL #FL 39156.1

DRWN	CHKD	DATE
C/SL	RWN	6/11/2021
REV - ADDL OPTIONS	RWN	8/15/2021
REV - ADDL OPTIONS	RWN	10/14/2021

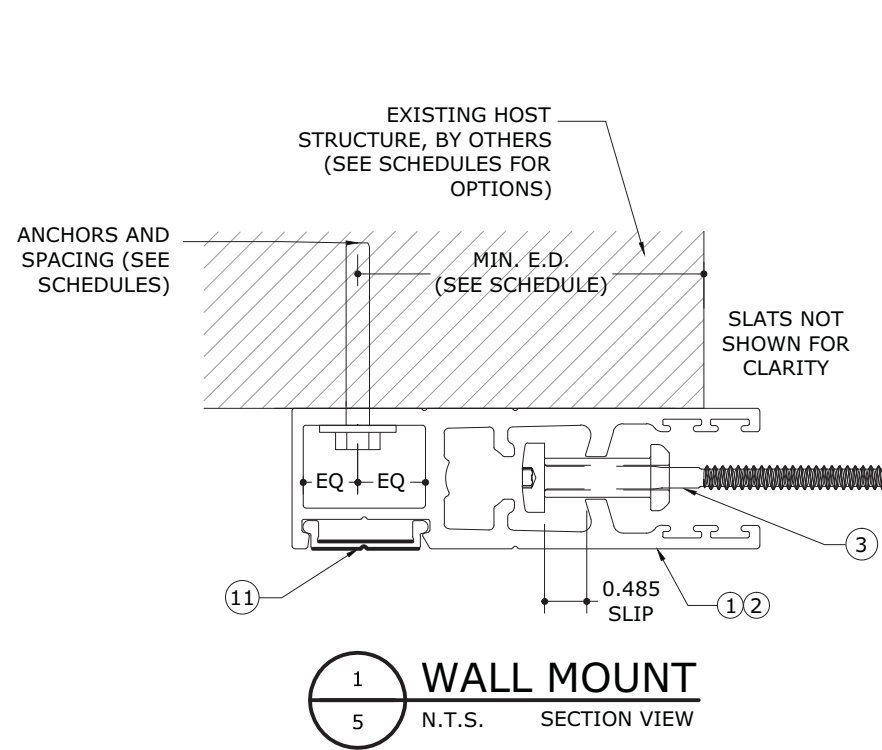
REMARKS
INIT ISSUE
REV - ADDL OPTIONS
REV - ADDL OPTIONS

COPYRIGHT ENGINEERING EXPRESS®

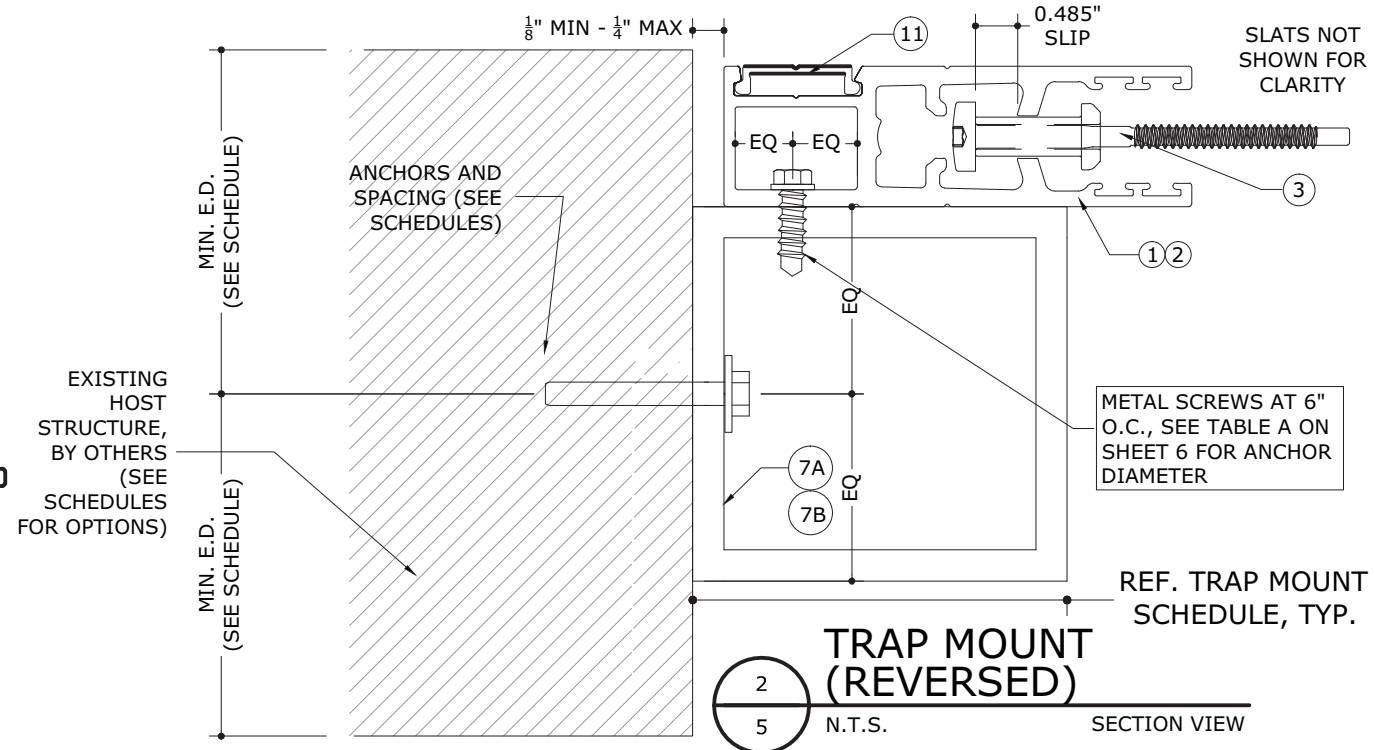
20-32431

SCALE: NTS UNLESS NOTED

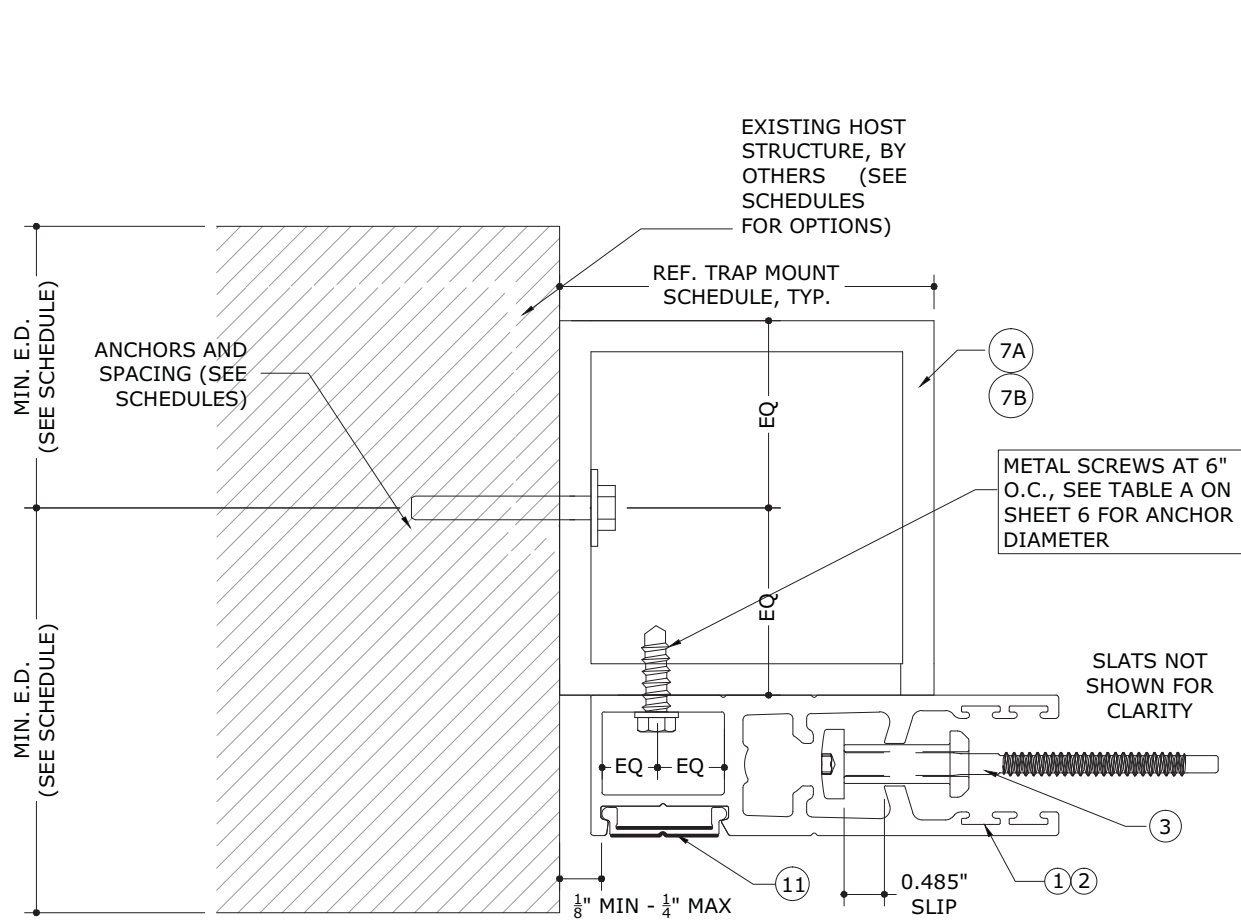
SHUTTER ATTACHMENT TO HOST



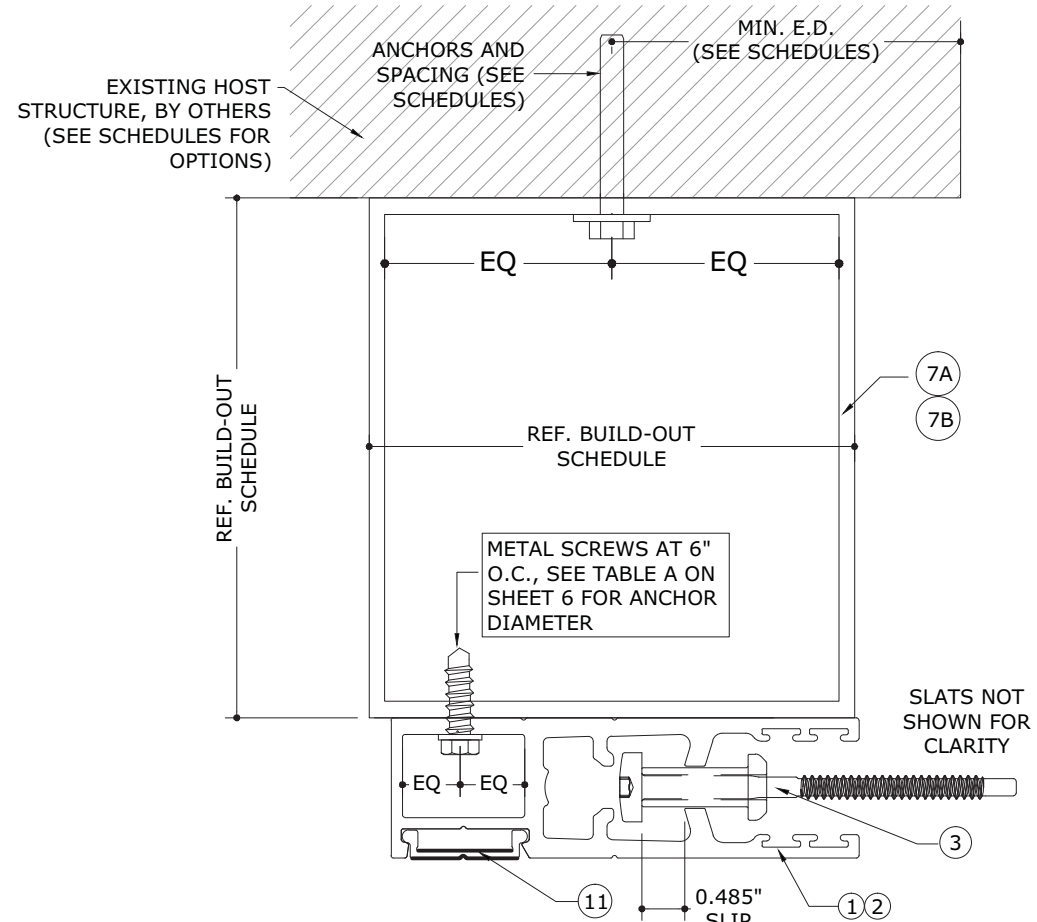
1 WALL MOUNT
5 N.T.S. SECTION VIEW



2 TRAP MOUNT (REVERSED)
5 N.T.S. SECTION VIEW



3 TRAP MOUNT
5 N.T.S. SECTION VIEW



4 BUILD-OUT MOUNT
5 N.T.S. SECTION VIEW

RICHARD NEET, P.E.
PE# 86488 CA# 9865



POSTAL ADDRESS:
401 W. ATLANTIC AVE R10 #219
DELRAY BEACH, FL 33444
ENGINEERINGEXPRESS.COM

QMI SECURITY SOLUTIONS

1661 GLENLAKE AVE.
ITASCA, IL 60143
PHONE: (866) 980-1750

QOM3 - AL8 ROLL-UP SHUTTER
FLORIDA BUILDING CODE SEVENTH ED (2020)
PRODUCT APPROVAL #FL 39156.1

REMARKS	DRWN	CHKD	DATE
INIT ISSUE	RWN	RWN	6/11/2021
REV - ADDL OPTIONS	RWN	RWN	8/15/2021
REV - ADDL OPTIONS	RWN	RWN	10/14/2021

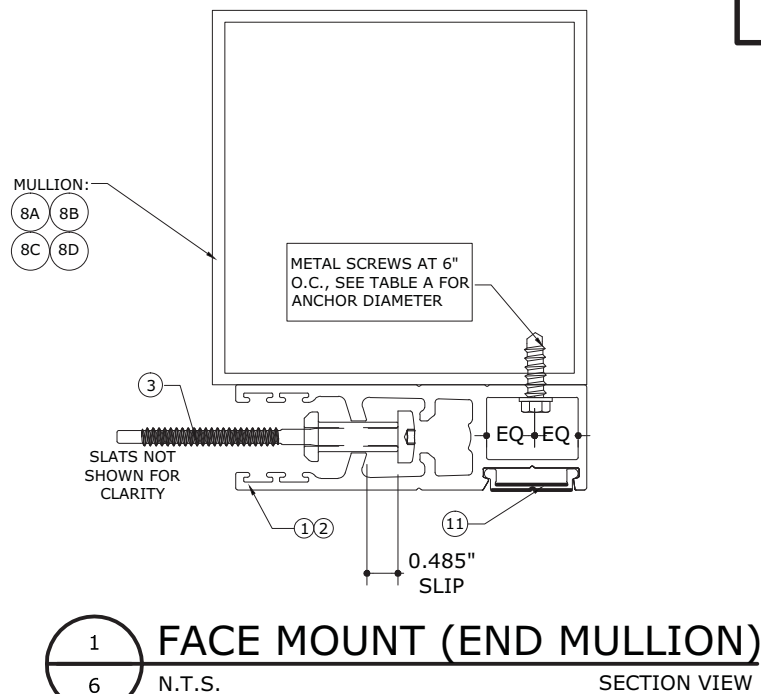
COPYRIGHT ENGINEERING EXPRESS®

20-32431

SCALE: NTS UNLESS NOTED

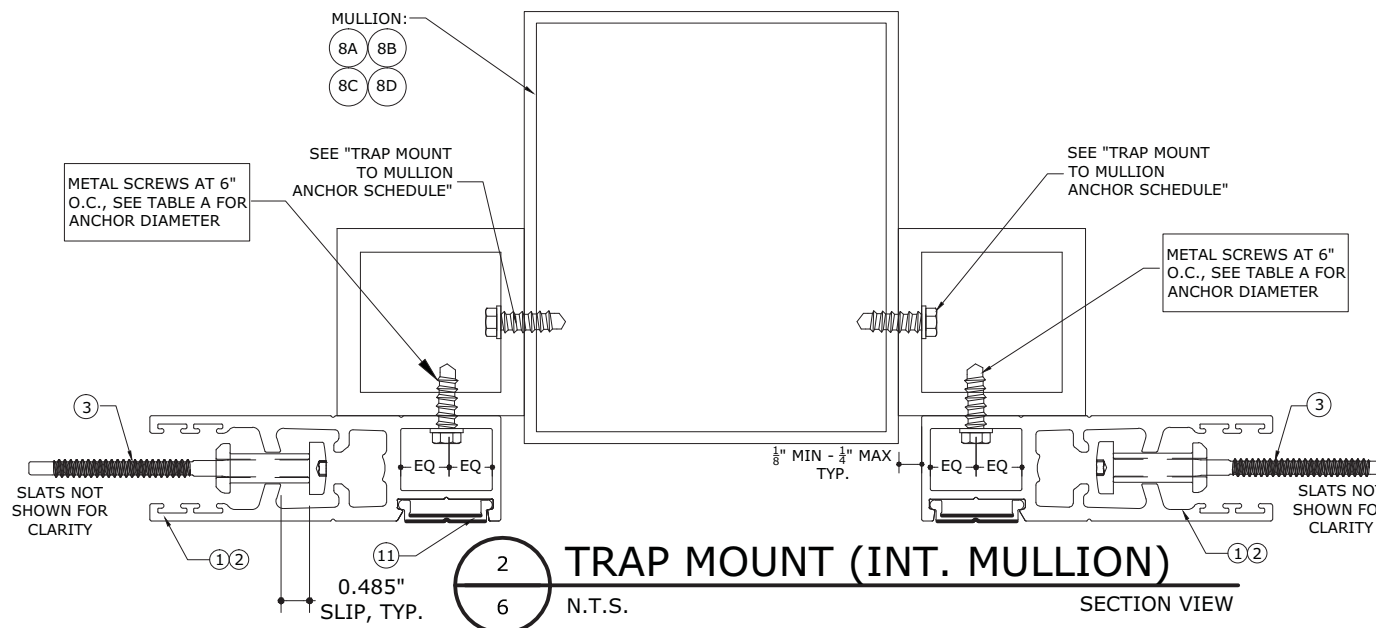
OF 30
5

SHUTTER ATTACHMENT OPTION TO TUBES & MULLIONS



1 FACE MOUNT (END MULLION)
6 N.T.S. SECTION VIEW

ORIENTATION #2 FACE MOUNT END MULLION



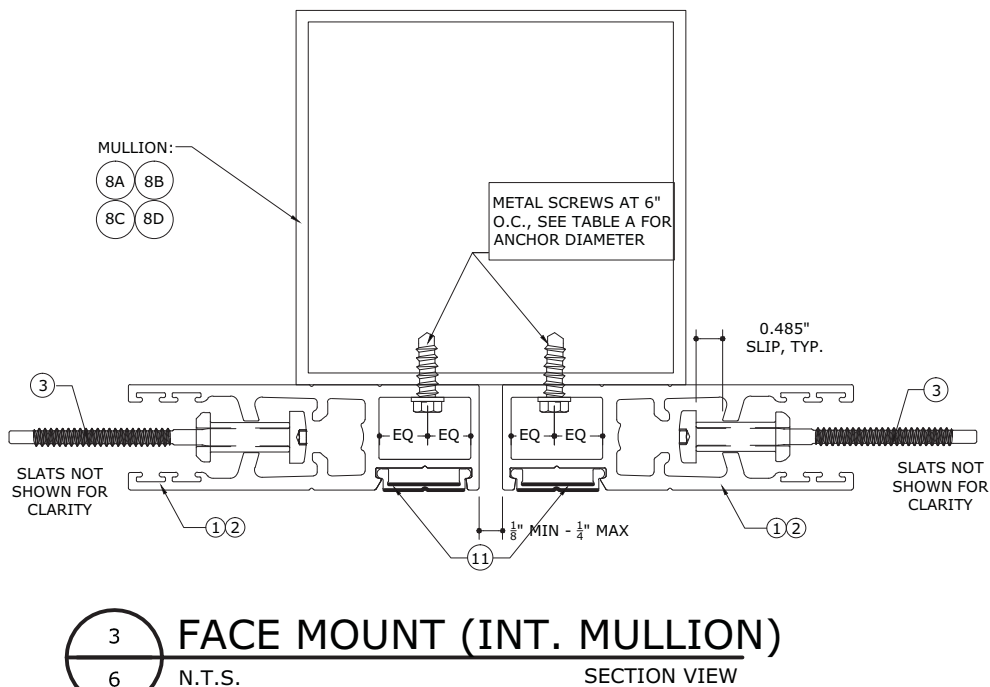
2 TRAP MOUNT (INT. MULLION)
6 N.T.S. SECTION VIEW

TRAP MOUNT TO MULLION ANCHOR SCHEDULE

SLAT SPAN	DESIGN PRESSURE	MAXIMUM SPACING (O.C.)				
		#14 410 SS (DRILL POINT SCREW) W/ FULL THREAD PENETRATION; TO 0.1875\"/>				
48"	+/- 40 PSF	6.0"	6.0"	6.0"	6.0"	6.0"
	+/- 90 PSF	6.0"	6.0"	6.0"	6.0"	6.0"
	+/- 140 PSF	6.0"	6.0"	6.0"	6.0"	6.0"
	+/- 190 PSF	6.0"	6.0"	6.0"	6.0"	6.0"
	+/- 246.7 PSF	6.0"	6.0"	6.0"	6.0"	6.0"
60"	+/- 40 PSF	6.0"	6.0"	6.0"	6.0"	6.0"
	+/- 80 PSF	6.0"	6.0"	6.0"	6.0"	6.0"
	+/- 120 PSF	6.0"	6.0"	6.0"	6.0"	6.0"
	+/- 170 PSF	6.0"	6.0"	6.0"	6.0"	6.0"
	+/- 214.3 PSF	6.0"	6.0"	6.0"	6.0"	6.0"
72"	+/- 40 PSF	6.0"	6.0"	6.0"	6.0"	6.0"
	+/- 80 PSF	6.0"	6.0"	6.0"	6.0"	6.0"
	+/- 120 PSF	6.0"	6.0"	6.0"	6.0"	6.0"
	+/- 160 PSF	6.0"	6.0"	6.0"	6.0"	6.0"
	+/- 213.3 PSF	6.0"	4.6"	5.5"	6.0"	6.0"
84"	+/- 40 PSF	6.0"	6.0"	6.0"	6.0"	6.0"
	+/- 70 PSF	6.0"	6.0"	6.0"	6.0"	6.0"
	+/- 110 PSF	4.7"	6.0"	5.0"	6.0"	6.0"
	+/- 150 PSF	5.2"	6.0"	6.0"	6.0"	6.0"
	+/- 187.0 PSF	4.0"	6.0"	4.7"	6.0"	6.0"
96"	+/- 30 PSF	6.0"	6.0"	6.0"	6.0"	6.0"
	+/- 60 PSF	6.0"	6.0"	6.0"	6.0"	6.0"
	+/- 100 PSF	4.0"	6.0"	4.2"	6.0"	6.0"
	+/- 130 PSF	4.8"	6.0"	5.6"	6.0"	6.0"
	+/- 171.0 PSF	3.5"	6.0"	4.1"	5.6"	6.0"
108"	+/- 30 PSF	6.0"	6.0"	6.0"	6.0"	6.0"
	+/- 60 PSF	5.7"	6.0"	6.0"	6.0"	6.0"
	+/- 90 PSF	3.6"	5.9"	3.7"	6.0"	6.0"
	+/- 120 PSF	4.3"	6.0"	4.9"	6.0"	6.0"
	+/- 160.0 PSF	3.2"	3.6"	3.6"	5.0"	6.0"
120"	+/- 30 PSF	6.0"	6.0"	6.0"	6.0"	6.0"
	+/- 60 PSF	4.6"	6.0"	4.8"	6.0"	6.0"
	+/- 90 PSF	4.9"	6.0"	5.6"	6.0"	6.0"
	+/- 120 PSF	3.6"	6.0"	4.1"	6.0"	6.0"
	+/- 152.0 PSF	3.2"	3.2"	3.2"	4.5"	6.0"
132"	+/- 30 PSF	6.0"	6.0"	6.0"	6.0"	6.0"
	+/- 50 PSF	4.8"	6.0"	5.0"	6.0"	6.0"
	+/- 80 PSF	4.8"	6.0"	5.5"	6.0"	6.0"
	+/- 110 PSF	3.4"	6.0"	3.9"	5.4"	6.0"
	+/- 145.4 PSF	3.4"	6.0"	4.1"	5.4"	6.0"
144"	+/- 20 PSF	6.0"	6.0"	6.0"	6.0"	6.0"
	+/- 50 PSF	4.1"	6.0"	4.2"	6.0"	6.0"
	+/- 80 PSF	4.2"	6.0"	4.7"	6.0"	6.0"
	+/- 110 PSF	3.0"	6.0"	3.4"	4.8"	6.0"
	+/- 140.0 PSF	3.0"	6.0"	3.7"	4.8"	6.0"

SLAT SPAN	DESIGN PRESSURE	MAXIMUM SPACING (O.C.)		
		5/16" 410 (DRILL POINT SCREW) SMS W/ FULL THREAD PENETRATION; TO 0.1875\"/>		
156"	+/- 20 PSF	6.0"	6.0"	6.0"
	+/- 40 PSF	6.0"	6.0"	6.0"
	+/- 70 PSF	4.3"	4.8"	6.0"
	+/- 90 PSF	3.3"	3.7"	5.2"
	+/- 124.7 PSF	3.3"	3.7"	3.7"
168"	+/- 20 PSF	6.0"	6.0"	6.0"
	+/- 40 PSF	6.0"	6.0"	6.0"
	+/- 60 PSF	4.5"	5.0"	6.0"
	+/- 80 PSF	3.3"	3.7"	5.3"
	+/- 112.1 PSF	3.3"	3.7"	3.7"
180"	+/- 20 PSF	6.0"	6.0"	6.0"
	+/- 40 PSF	6.0"	6.0"	6.0"
	+/- 60 PSF	4.1"	4.5"	6.0"
	+/- 80 PSF	3.0"	3.4"	4.8"
	+/- 101.7 PSF	3.0"	3.4"	3.7"
192"	+/- 20 PSF	6.0"	6.0"	6.0"
	+/- 30 PSF	6.0"	6.0"	6.0"
	+/- 50 PSF	4.5"	4.9"	6.0"
	+/- 70 PSF	3.2"	3.5"	5.0"
	+/- 92.9 PSF	3.2"	3.5"	3.7"
204"	+/- 20 PSF	6.0"	6.0"	6.0"
	+/- 30 PSF	6.0"	6.0"	6.0"
	+/- 50 PSF	4.1"	4.5"	6.0"
	+/- 60 PSF	3.4"	3.7"	5.3"
	+/- 85.4 PSF	3.4"	3.7"	3.7"
216"	+/- 20 PSF	6.0"	6.0"	6.0"
	+/- 30 PSF	6.0"	6.0"	6.0"
	+/- 40 PSF	4.7"	5.2"	6.0"
	+/- 60 PSF	3.1"	3.4"	4.9"
	+/- 79.0 PSF	3.1"	3.4"	3.7"
228"	+/- 20 PSF	6.0"	6.0"	6.0"
	+/- 30 PSF	5.8"	6.0"	6.0"
	+/- 40 PSF	4.4"	4.8"	6.0"
	+/- 60 PSF	3.2"	3.2"	4.5"
	+/- 73.4 PSF	3.2"	3.2"	3.7"
236"	+/- 20 PSF	6.0"	6.0"	6.0"
	+/- 30 PSF	5.6"	6.0"	6.0"
	+/- 40 PSF	4.1"	4.6"	6.0"
	+/- 50 PSF	3.3"	3.6"	5.2"
	+/- 70.0 PSF	3.3"	3.6"	3.7"

1. [Hatched Box] DESIGNATES ANCHOR CONDITIONS WHICH ARE NOT ACCEPTABLE FOR USE.



3 FACE MOUNT (INT. MULLION)
6 N.T.S. SECTION VIEW

TABLE A:

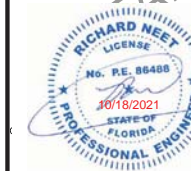
FASTENER NOTE:

- USE 5/16"Øx1 1/2" HEX HEAD METAL SCREWS (w/DRILL POINT) AT 6" O.C., FOR THE FOLLOWING SCENARIOS:
 - ALL SHUTTER SPANS > 144"
 - ALL SHUTTER SPANS w/ DESIGN PRESSURES EQUAL TO (OR GREATER THAN) THE LISTED PRESSURE:

SPAN	DP
48"	≥ 246.7 PSF
60"	≥ 214.3 PSF
72"	≥ 213.3 PSF
84"	≥ 187.0 PSF
96"	≥ 171.0 PSF
108"	≥ 160.1 PSF
120"	≥ 152.0 PSF
132"	≥ 145.4 PSF
144"	≥ 140.0 PSF

ALL OTHER SCENARIOS ARE PERMITTED TO USE 1/4"Øx1 1/2" HEX HEAD METAL SCREWS (w/DRILL POINT) AT 6" O.C.

RICHARD NEET, P.E.
PE# 86488 CA# 9865



POSTAL ADDRESS:
401 W. ATLANTIC AVE R10 #219
DELRAY BEACH, FL 33444
ENGINEERINGEXPRESS.COM

QMI SECURITY SOLUTIONS

1661 GLENLAKE AVE.
ITASCAS, IL 60143
PHONE: (866) 980-1750

QOM3 - AL8 ROLL-UP SHUTTER
FLORIDA BUILDING CODE SEVENTH ED (2020)
PRODUCT APPROVAL #FL 39156.1

REMARKS	DRWN	CHKD	DATE
INIT ISSUE	RWN	RWN	6/11/2021
REV - ADDL OPTIONS	RWN	RWN	8/15/2021
REV - ADDL OPTIONS	RWN	RWN	10/14/2021

COPYRIGHT ENGINEERING EXPRESS®

20-32431

SCALE: NTS UNLESS NOTED

ANCHOR SCHEDULE: WALL MOUNT, SPANS 48"-144", 1/4"Ø FASTENERS

RICHARD NEET, P.E.
PE# 86488 CA# 9865



ENGINEERING EXPRESS
 POSTAL ADDRESS:
 401 W. ATLANTIC AVE R10 #219
 DELRAY BEACH, FL 33444
 ENGINEERINGEXPRESS.COM

QMI SECURITY SOLUTIONS
 1661 GLENLAKE AVE.
 ITASCA, IL 60143
 PHONE: (866) 980-1750
 QOM3 - AL8 ROLL-UP SHUTTER
 FLORIDA BUILDING CODE SEVENTH ED (2020)
 PRODUCT APPROVAL #FL 39156.1

REMARKS	DRWN	CHKD	DATE
INIT ISSUE	RWN	RWN	6/11/2021
REV - ADDL OPTIONS	RWN	RWN	8/15/2021
REV - ADDL OPTIONS	RWN	RWN	10/14/2021

COPYRIGHT ENGINEERING EXPRESS®

20-32431

SCALE: NTS UNLESS NOTED

OF 30

7

C:\Users\rickn\Engineering\Express\Production - Documents\Projects\20-32431 QMI QOM 3-AL8 Family Drawing\WP2020\FBC\20-32431h_QOM3 - AL8.dwg 10/18/2021 - 12:09pm rickn

SLAT SPAN	DESIGN PRESSURE	Rx	Ry	1/4" HILTI KH-EZ	1/4" ALL-POINTS SOLID-SET	1/4" DEWALT ULTRACON+	1/4" DEWALT ULTRACON+ SS4	1/4" DEWALT POWER-BOLT	1/4" DEWALT SCREW BOLT+	1/4" DEWALT AGGREGATOR	1/4" DEWALT AGGREGATOR	1/4" DEWALT ULTRACON+	1/4" ALL-POINTS SOLID-SET	1/4" DEWALT ULTRACON+	1/4" DEWALT AGGREGATOR	1/4" DEWALT AGGREGATOR	#14 WOOD SCREW	#14 (410 SS) DRILL POINT SCREW OR 1/4-20 (410 SS) THRU-BOLT†	#14 (410 SS) DRILL POINT SCREW OR 1/4-20 (410 SS) THRU-BOLT†		
				CONCRETE	CONCRETE	CONCRETE	CONCRETE	CONCRETE	GFB	GFB	GFB	GFB	HOLLOW BLOCK	HOLLOW BLOCK	HOLLOW BLOCK	HOLLOW BLOCK	WOOD	1/8" STEEL	1/8" ALUM.		
				3000 PSI	3000 PSI	3000 PSI	3000	3000 PSI	ASTM C90	ASTM C90	ASTM C90	ASTM C90	ASTM C90	ASTM C90	ASTM C90	ASTM C90	ASTM C90	ASTM C90	ASTM C90	ASTM C90	ASTM C90
				EMBED: 2.50" EDGE= 3.00"	EMBED: 0.88" EDGE= 3.00"	EMBED: 1.75" EDGE= 2.50"	EMBED: 1.75" EDGE= 2.50"	EMBED: 2.50" EDGE= 3.00"	EMBED: 2.50" EDGE= 3.00"	EMBED: 2.00" EDGE= 4.00"	EMBED: 2.00" EDGE= 2.00"	EMBED: 2.00" EDGE= 2.00"	EMBED: 1.25" EDGE= 2.00"	EMBED: 0.875" EDGE= 3.00"	EMBED: 1.25" EDGE= 2.50"	EMBED: 1.25" EDGE= 4.00"	EMBED: 1.25" EDGE= 2.00"	EMBED: 1.25" EDGE= 2.00"	EMBED: 3.00" EDGE= 1.00"	- EDGE= 0.50"	- EDGE= 0.50"
48"	+/- 160 PSF	0 LB/FT	320 LB/FT	6.0"	6.0"	6.0"	6.0"	6.0"	6.0"	6.0"	6.0"	6.0"	6.0"	6.0"	6.0"	6.0"	6.0"	6.0"	6.0"		
	+/- 170 PSF	0 LB/FT	340 LB/FT	6.0"	6.0"	6.0"	6.0"	6.0"	6.0"	6.0"	6.0"	6.0"	6.0"	6.0"	6.0"	6.0"	6.0"	6.0"	6.0"		
	+/- 180 PSF	0 LB/FT	360 LB/FT	6.0"	6.0"	6.0"	6.0"	6.0"	6.0"	6.0"	6.0"	6.0"	6.0"	6.0"	6.0"	6.0"	6.0"	6.0"	6.0"		
	+/- 190 PSF	0 LB/FT	380 LB/FT	6.0"	6.0"	6.0"	6.0"	6.0"	6.0"	6.0"	6.0"	6.0"	6.0"	6.0"	6.0"	6.0"	6.0"	6.0"	6.0"		
	+/- 200 PSF	0 LB/FT	400 LB/FT	6.0"	6.0"	6.0"	6.0"	6.0"	6.0"	6.0"	6.0"	6.0"	6.0"	6.0"	6.0"	6.0"	6.0"	6.0"	6.0"		
60"	+/- 110 PSF	9 LB/FT	275 LB/FT	6.0"	6.0"	6.0"	6.0"	6.0"	6.0"	6.0"	6.0"	6.0"	6.0"	6.0"	6.0"	6.0"	6.0"	6.0"	6.0"		
	+/- 120 PSF	87 LB/FT	300 LB/FT	6.0"	6.0"	6.0"	6.0"	6.0"	6.0"	6.0"	6.0"	6.0"	6.0"	6.0"	6.0"	6.0"	6.0"	6.0"	6.0"		
	+/- 130 PSF	165 LB/FT	325 LB/FT	6.0"	6.0"	6.0"	6.0"	6.0"	6.0"	6.0"	6.0"	6.0"	6.0"	6.0"	6.0"	6.0"	6.0"	6.0"	6.0"		
	+/- 140 PSF	244 LB/FT	350 LB/FT	6.0"	6.0"	6.0"	6.0"	6.0"	6.0"	6.0"	6.0"	6.0"	6.0"	6.0"	6.0"	6.0"	6.0"	6.0"	6.0"		
	+/- 150 PSF	322 LB/FT	375 LB/FT	6.0"	6.0"	6.0"	6.0"	6.0"	6.0"	6.0"	6.0"	6.0"	6.0"	6.0"	6.0"	6.0"	6.0"	6.0"	6.0"		
	+/- 160 PSF	400 LB/FT	400 LB/FT	6.0"	6.0"	6.0"	6.0"	6.0"	6.0"	6.0"	6.0"	6.0"	6.0"	6.0"	6.0"	6.0"	6.0"	6.0"	6.0"		
72"	+/- 70 PSF	128 LB/FT	210 LB/FT	6.0"	6.0"	6.0"	6.0"	6.0"	6.0"	6.0"	6.0"	6.0"	6.0"	6.0"	6.0"	6.0"	6.0"	6.0"	6.0"		
	+/- 80 PSF	232 LB/FT	240 LB/FT	6.0"	6.0"	6.0"	6.0"	6.0"	6.0"	6.0"	6.0"	6.0"	6.0"	6.0"	6.0"	6.0"	6.0"	6.0"	6.0"		
	+/- 90 PSF	335 LB/FT	270 LB/FT	6.0"	6.0"	6.0"	6.0"	6.0"	6.0"	6.0"	6.0"	6.0"	6.0"	6.0"	6.0"	6.0"	6.0"	6.0"	6.0"		
	+/- 100 PSF	438 LB/FT	300 LB/FT	6.0"	6.0"	6.0"	6.0"	6.0"	6.0"	6.0"	6.0"	6.0"	6.0"	6.0"	6.0"	6.0"	6.0"	6.0"	6.0"		
	+/- 110 PSF	542 LB/FT	330 LB/FT	6.0"	6.0"	6.0"	6.0"	6.0"	6.0"	6.0"	6.0"	6.0"	6.0"	6.0"	6.0"	6.0"	6.0"	6.0"	6.0"		
	+/- 120 PSF	645 LB/FT	360 LB/FT	6.0"	6.0"	5.6"	6.0"	5.7"	5.3"	5.3"	4.8"	4.8"	4.8"	4.8"	4.8"	4.8"	6.0"	6.0"	6.0"		
	+/- 130 PSF	749 LB/FT	390 LB/FT	6.0"	5.9"	5.0"	5.3"	5.1"	4.7"	4.7"	4.3"	4.3"	4.3"	4.3"	4.3"	4.4"	5.8"	6.0"			
84"	+/- 40 PSF	83 LB/FT	140 LB/FT	6.0"	6.0"	6.0"	6.0"	6.0"	6.0"	6.0"	6.0"	6.0"	6.0"	6.0"	6.0"	6.0"	6.0"	6.0"	6.0"		
	+/- 50 PSF	214 LB/FT	175 LB/FT	6.0"	6.0"	6.0"	6.0"	6.0"	6.0"	6.0"	6.0"	6.0"	6.0"	6.0"	6.0"	6.0"	6.0"	6.0"	6.0"		
	+/- 60 PSF	345 LB/FT	210 LB/FT	6.0"	6.0"	6.0"	6.0"	6.0"	6.0"	6.0"	6.0"	6.0"	6.0"	6.0"	6.0"	6.0"	6.0"	6.0"	6.0"		
	+/- 70 PSF	475 LB/FT	245 LB/FT	6.0"	6.0"	6.0"	6.0"	6.0"	6.0"	6.0"	6.0"	6.0"	6.0"	6.0"	6.0"	6.0"	6.0"	6.0"	6.0"		
	+/- 80 PSF	606 LB/FT	280 LB/FT	6.0"	6.0"	6.0"	6.0"	6.0"	6.0"	6.0"	6.0"	6.0"	6.0"	6.0"	6.0"	6.0"	6.0"	6.0"	6.0"		
	+/- 90 PSF	737 LB/FT	315 LB/FT	6.0"	6.0"	5.3"	5.9"	5.6"	5.0"	5.1"	4.7"	4.7"	4.7"	4.7"	4.7"	4.7"	6.0"	6.0"	6.0"		
	+/- 100 PSF	867 LB/FT	350 LB/FT	6.0"	5.5"	4.6"	5.1"	4.3"	4.4"	4.1"	4.1"	4.1"	4.1"	4.1"	4.1"	4.1"	6.0"	6.0"	6.0"		
	+/- 110 PSF	998 LB/FT	385 LB/FT	6.0"	4.8"	4.0"	4.5"	3.8"	3.8"	3.6"	3.6"	3.6"	3.6"	3.6"	3.6"	3.6"	6.0"	6.0"	6.0"		
96"	+/- 30 PSF	143 LB/FT	120 LB/FT	6.0"	6.0"	6.0"	6.0"	6.0"	6.0"	6.0"	6.0"	6.0"	6.0"	6.0"	6.0"	6.0"	6.0"	6.0"	6.0"		
	+/- 40 PSF	303 LB/FT	160 LB/FT	6.0"	6.0"	6.0"	6.0"	6.0"	6.0"	6.0"	6.0"	6.0"	6.0"	6.0"	6.0"	6.0"	6.0"	6.0"	6.0"		
	+/- 50 PSF	463 LB/FT	200 LB/FT	6.0"	6.0"	6.0"	6.0"	6.0"	6.0"	6.0"	6.0"	6.0"	6.0"	6.0"	6.0"	6.0"	6.0"	6.0"	6.0"		
	+/- 60 PSF	623 LB/FT	240 LB/FT	6.0"	6.0"	6.0"	6.0"	6.0"	6.0"	6.0"	6.0"	6.0"	6.0"	6.0"	6.0"	6.0"	6.0"	6.0"	6.0"		
	+/- 70 PSF	783 LB/FT	280 LB/FT	6.0"	6.0"	5.2"	5.9"	5.6"	4.9"	5.1"	4.7"	4.7"	4.7"	4.7"	4.7"	4.7"	6.0"	6.0"	6.0"		
	+/- 80 PSF	943 LB/FT	320 LB/FT	6.0"	5.3"	4.3"	5.0"	4.1"	4.3"	4.0"	4.0"	4.0"	4.0"	4.0"	4.0"	4.0"	6.0"	6.0"	6.0"		
108"	+/- 30 PSF	307 LB/FT	135 LB/FT	6.0"	6.0"	6.0"	6.0"	6.0"	6.0"	6.0"	6.0"	6.0"	6.0"	6.0"	6.0"	6.0"	6.0"	6.0"	6.0"		
	+/- 40 PSF	498 LB/FT	180 LB/FT	6.0"	6.0"	6.0"	6.0"	6.0"	6.0"	6.0"	6.0"	6.0"	6.0"	6.0"	6.0"	6.0"	6.0"	6.0"	6.0"		
	+/- 50 PSF	689 LB/FT	225 LB/FT	6.0"	6.0"	6.0"	6.0"	6.0"	6.0"	6.0"	6.0"	6.0"	6.0"	6.0"	6.0"	6.0"	6.0"	6.0"	6.0"		
	+/- 60 PSF	880 LB/FT	270 LB/FT	6.0"	5.8"	4.7"	5.5"	5.2"	4.5"	4.7"	4.4"	4.4"	4.4"	4.4"	4.4"	4.4"	6.0"	6.0"	6.0"		
	+/- 70.0 PSF	1072 LB/FT	315 LB/FT	5.4"	4.8"	3.9"	4.6"	3.7"	3.9"	3.7"	3.7"	3.7"	3.7"	3.7"	3.7"	3.7"	6.0"	6.0"	6.0"		
120"	+/- 30 PSF	456 LB/FT	150 LB/FT	6.0"	6.0"	6.0"	6.0"	6.0"	6.0"	6.0"	6.0"	6.0"	6.0"	6.0"	6.0"	6.0"	6.0"	6.0"	6.0"		
	+/- 40 PSF	680 LB/FT	200 LB/FT	6.0"	6.0"	6.0"	6.0"	6.0"	6.0"	6.0"	6.0"	6.0"	6.0"	6.0"	6.0"	6.0"	6.0"	6.0"	6.0"		
	+/- 50 PSF	905 LB/FT	250 LB/FT	6.0"	5.8"	4.7"	5.5"	5.2"	4.5"	4.7"	4.4"	4.4"	4.4"	4.4"	4.4"	4.4"	6.0"	6.0"	6.0"		
	+/- 60 PSF	1129 LB/FT	300 LB/FT	5.2"	4.7"	3.8"	4.5"	3.6"	3.8"	3.6"	3.6"	3.6"	3.6"	3.6"	3.6"	3.6"	6.0"	6.0"	6.0"		
	+/- 70.0 PSF	1353 LB/FT	350 LB/FT	4.4"	3.9"	3.2"	3.8"	3.0"	3.2"	3.0"	3.0"	3.0"	3.0"	3.0"	3.0"	3.0"	6.0"	6.0"	6.0"		
132"	+/- 30 PSF	598 LB/FT	165 LB/FT	6.0"	6.0"	6.0"	6.0"	6.0"	6.0"	6.0"	6.0"	6.0"	6.0"	6.0"	6.0"	6.0"	6.0"	6.0"	6.0"		
	+/- 40 PSF	857 LB/FT	220 LB/FT	6.0"	6.0"	5.0"	5.9"	5.6"	4.8"	5.1"	4.8"	4.8"	4.8"	4.8"	4.8"	4.8"	6.0"	6.0"	6.0"		
	+/- 50 PSF	1116 LB/FT	275 LB/FT	5.4"	4.8"	3.9"	4.6"	3.7"	4.0"	3.7"	3.7"	3.7"	3.7"	3.7"	3.7"	3.7"	6.0"	6.0"	6.0"		
	+/- 60 PSF	1375 LB/FT	330 LB/FT	4.4"	3.9"	3.2"	3.8"	3.0"	3.2"	3.0"	3.0"	3.0"	3.0"	3.0"	3.0"	3.0"	6.0"	6.0"	6.0"		
144"	+/- 20 PSF	440 LB/FT	120 LB/FT	6.0"	6.0"	6.0"	6.0"	6.0"	6.0"	6.0"	6.0"	6.0"	6.0"	6.0"	6.0"	6.0"	6.0"	6.0"	6.0"		
	+/- 30 PSF	735 LB/FT	180 LB/FT	6.0"	6.0"	5.9"	6.0"	6.0"	5.6"	6.0"	5.7"	5.7"	5.7"	5.7"	5.7"	5.7"	6.0"	6.0"	6.0"		
	+/- 40 PSF	1031 LB/FT	240 LB/FT	5.8"	5.3"	4.2"	5.1"	4.0"	4.3"	4.1"	4.1"	4.1"	4.1"	4.1"	4.1"	4.1"	6.0"	6.0"	6.0"		
	+/- 50 PSF	1326 LB/FT	300 LB/FT	4.6"	4.1"	3.3"	4.0"	3.1"	3.4"	3.2"	3.2"	3.2"	3.2"	3.2"	3.2"	3.2"	6.0"	6.0"	6.0"		
	+/- 60 PSF	1622 LB/FT	360 LB/FT	3.5"	3.4"	2.7"	3.3"	2.6"	2.8"	2.8"	2.8"	2.8"	2.8"	2.8"	2.8"	2.8"	6.0"	6.0"	6.0"		
+/- 70 PSF	1917 LB/FT	420 LB/FT	2.3"	2.3"	2.3"	2.3"	2.2"	2.4"	2.4"	2.4"	2.4"	2.4"	2.4"	2.4"	2.4"	6.0"	6.0"	6.0"			

SEE PAGE 22 FOR ANCHOR SCHEDULE NOTES

ANCHOR SCHEDULE: WALL MOUNT, SPANS 156"-236", 1/4"Ø FASTENERS

RICHARD NEET, P.E.
PE# 86488 CA# 9865



ENGINEERING EXPRESS

POSTAL ADDRESS:
401 W. ATLANTIC AVE R10 #219
DELRAY BEACH, FL 33444
ENGINEERINGEXPRESS.COM



QMI SECURITY SOLUTIONS

1661 GLENLAKE AVE.
ITASCA, IL 60143
PHONE: (866) 980-1750

QOM3 - AL8 ROLL-UP SHUTTER
FLORIDA BUILDING CODE SEVENTH ED (2020)
PRODUCT APPROVAL #FL 39156.1

SLAT SPAN	DESIGN PRESSURE	Rx	Ry	1/4" HILTI KH-EZ	1/4" ALL-POINTS SOLID-SET	1/4" DEWALT ULTRACON+	1/4" SS ITW TAPCON	1/4" DEWALT ULTRACON+ SS4	1/4" DEWALT POWER-BOLT	1/4" DEWALT SCREW BOLT+	1/4" DEWALT AGGREGATOR	1/4" DEWALT AGGREGATOR	1/4" DEWALT ULTRACON+	1/4" ALL-POINTS SOLID-SET	1/4" DEWALT AGGREGATOR	1/4" DEWALT AGGREGATOR	#14 WOOD SCREW	#14 (410 SS) DRILL POINT SCREW OR 1/4-20 (410 SS) THRU-BOLT	#14 (410 SS) DRILL POINT SCREW OR 1/4-20 (410 SS) THRU-BOLT		
				CONCRETE	CONCRETE	CONCRETE	CONCRETE	CONCRETE	CONCRETE	GFB	GFB	GFB	GFB OR HOLLOW BLOCK	HOLLOW BLOCK	HOLLOW BLOCK	HOLLOW BLOCK	WOOD	STEEL	ALUM.		
				3000 PSI	3000 PSI	3000 PSI	3192 PSI	3000	3000 PSI	ASTM C90	ASTM C90	ASTM C90	ASTM C90	ASTM C90	ASTM C90	ASTM C90	ASTM C90	ASTM C90	G=0.55	A36	6063-T6
				EMBED: 2.50" EDGE= 3.00"	EMBED: 0.88" EDGE= 3.00"	EMBED: 1.75" EDGE= 2.50"	EMBED: 1.75" EDGE= 2.50"	EMBED: 1.75" EDGE= 2.50"	EMBED: 2.50" EDGE= 3.00"	EMBED: 2.50" EDGE= 3.00"	EMBED: 2.00" EDGE= 4.00"	EMBED: 2.00" EDGE= 2.00"	EMBED: 2.00" EDGE= 2.00"	EMBED: 2.00" EDGE= 2.00"	EMBED: 1.25" EDGE= 2.00"	EMBED: 0.88" EDGE= 3.00"	EMBED: 1.25" EDGE= 4.00"	EMBED: 1.25" EDGE= 2.00"	EMBED: 3.00" EDGE= 1.00"	- EDGE= 0.50"	- EDGE= 0.50"
156"	+/- 20 PSF	538 LB/FT	130 LB/FT	6.0"	6.0"	6.0"	6.0"	6.0"	6.0"	6.0"	6.0"	6.0"	6.0"	4.6"	5.7"	3.6"	3.5"	6.0"	6.0"	6.0"	
	+/- 30 PSF	871 LB/FT	195 LB/FT	6.0"	6.0"	6.0"	6.0"	6.0"	6.0"	6.0"	6.0"	6.0"	6.0"	4.8"	5.2"	4.9"	4.9"	4.5"	6.0"	5.6"	
	+/- 40 PSF	1205 LB/FT	260 LB/FT	5.1"	4.6"	3.7"	3.8"	4.4"	3.5"	3.5"	3.8"	3.6"	3.6"	3.6"	3.6"	3.6"	3.6"	3.3"	4.6"	4.1"	
	+/- 50 PSF	1538 LB/FT	325 LB/FT	3.7"	3.6"	2.9"	3.5"	3.5"	2.7"	3.0"	3.0"	3.0"	3.0"	2.7"	3.0"	3.0"	2.6"	3.6"	3.2"		
168"	+/- 20 PSF	635 LB/FT	140 LB/FT	6.0"	6.0"	6.0"	6.0"	6.0"	6.0"	6.0"	6.0"	6.0"	6.0"	4.0"	4.9"	3.1"	3.0"	6.0"	6.0"	6.0"	
	+/- 30 PSF	1007 LB/FT	210 LB/FT	6.0"	5.5"	4.4"	4.6"	5.3"	5.0"	4.2"	4.5"	4.3"	4.3"	3.1"	3.1"	3.1"	3.0"	4.0"	5.5"	4.9"	
	+/- 40 PSF	1380 LB/FT	280 LB/FT	4.4"	4.1"	3.2"	3.4"	3.9"	3.1"	3.1"	3.3"	3.2"	3.2"	3.2"	3.2"	3.2"	2.9"	4.0"	3.6"		
	+/- 46 PSF	1604 LB/FT	322 LB/FT	3.6"	3.5"	2.8"	3.4"	3.4"	2.6"	2.9"	2.9"	2.9"	2.9"	2.6"	2.9"	2.9"	2.5"	3.5"	3.1"		
180"	+/- 10 PSF	317 LB/FT	75 LB/FT	6.0"	6.0"	6.0"	6.0"	6.0"	6.0"	6.0"	6.0"	6.0"	6.0"	6.0"	6.0"	6.0"	6.0"	6.0"	6.0"	6.0"	
	+/- 20 PSF	731 LB/FT	150 LB/FT	6.0"	6.0"	6.0"	6.0"	6.0"	6.0"	6.0"	6.0"	6.0"	6.0"	6.0"	6.0"	6.0"	6.0"	5.5"	6.0"	6.0"	
	+/- 30 PSF	1144 LB/FT	225 LB/FT	5.4"	4.9"	3.9"	4.1"	4.7"	3.7"	4.0"	3.8"	3.8"	3.8"	3.8"	3.8"	3.8"	3.5"	4.9"	4.4"		
	+/- 40 PSF	1558 LB/FT	300 LB/FT	3.7"	3.6"	2.9"	3.0"	3.5"	2.7"	3.0"	3.0"	3.0"	3.0"	2.7"	3.0"	3.0"	2.6"	3.6"	3.2"		
192"	+/- 10 PSF	371 LB/FT	80 LB/FT	6.0"	6.0"	6.0"	6.0"	6.0"	6.0"	6.0"	6.0"	6.0"	6.0"	6.0"	6.0"	6.0"	6.0"	6.0"	6.0"	6.0"	
	+/- 20 PSF	827 LB/FT	160 LB/FT	6.0"	6.0"	5.4"	5.7"	6.0"	6.0"	5.1"	5.6"	5.3"	5.3"	3.2"	3.9"	3.9"	5.4"	5.2"	6.0"	6.0"	
	+/- 30 PSF	1283 LB/FT	240 LB/FT	4.8"	4.4"	3.5"	3.7"	4.3"	3.3"	3.3"	3.6"	3.5"	3.5"	3.5"	3.5"	3.5"	4.9"	6.0"	6.0"		
	+/- 40 PSF	1739 LB/FT	320 LB/FT	3.3"	3.3"	2.6"	3.2"	3.2"	2.5"	2.7"	2.7"	2.7"	2.7"	2.5"	2.7"	2.7"	2.3"	3.3"	2.9"		
204"	+/- 10 PSF	424 LB/FT	85 LB/FT	6.0"	6.0"	6.0"	6.0"	6.0"	6.0"	6.0"	6.0"	6.0"	6.0"	6.0"	6.0"	6.0"	6.0"	6.0"	6.0"	6.0"	
	+/- 20 PSF	924 LB/FT	170 LB/FT	6.0"	6.0"	4.9"	5.1"	6.0"	5.6"	4.6"	5.1"	4.8"	4.8"	3.5"	3.5"	3.5"	4.4"	6.0"	5.5"		
	+/- 30 PSF	1423 LB/FT	255 LB/FT	4.4"	4.0"	3.2"	3.3"	3.9"	3.0"	3.3"	3.1"	3.1"	3.1"	3.1"	3.1"	3.1"	2.9"	4.0"	3.6"		
	+/- 38 PSF	1823 LB/FT	323 LB/FT	3.2"	3.1"	2.5"	3.0"	3.0"	2.4"	2.6"	2.6"	2.6"	2.6"	2.4"	2.6"	2.6"	2.2"	3.1"	2.8"		
216"	+/- 10 PSF	477 LB/FT	90 LB/FT	6.0"	6.0"	6.0"	6.0"	6.0"	6.0"	6.0"	6.0"	6.0"	6.0"	6.0"	6.0"	6.0"	6.0"	6.0"	6.0"	6.0"	
	+/- 20 PSF	1022 LB/FT	180 LB/FT	6.0"	5.6"	4.4"	4.6"	5.4"	5.1"	4.2"	4.6"	4.4"	4.4"	3.2"	3.2"	3.2"	4.0"	5.6"	5.1"		
	+/- 30 PSF	1566 LB/FT	270 LB/FT	3.7"	3.7"	2.9"	3.0"	3.6"	2.7"	3.0"	3.0"	3.0"	3.0"	3.0"	3.0"	3.0"	2.6"	3.7"	3.3"		
	+/- 36 PSF	1893 LB/FT	324 LB/FT	3.1"	3.0"	2.4"	3.0"	3.0"	2.3"	2.5"	2.5"	2.5"	2.5"	2.3"	2.5"	2.5"	2.2"	3.0"	2.8"		
228"	+/- 10 PSF	530 LB/FT	95 LB/FT	6.0"	6.0"	6.0"	6.0"	6.0"	6.0"	6.0"	6.0"	6.0"	6.0"	6.0"	6.0"	6.0"	6.0"	6.0"	6.0"	6.0"	
	+/- 20 PSF	1121 LB/FT	190 LB/FT	5.6"	5.1"	4.1"	4.3"	5.0"	4.3"	3.8"	4.2"	4.0"	4.0"	3.2"	3.2"	3.2"	3.6"	5.1"	4.7"		
	+/- 30 PSF	1712 LB/FT	285 LB/FT	3.4"	3.4"	2.7"	3.3"	3.3"	2.5"	2.8"	2.8"	2.8"	2.8"	2.5"	2.8"	2.8"	2.4"	3.4"	3.1"		
	+/- 34 PSF	1948 LB/FT	323 LB/FT	3.0"	3.0"	2.3"	3.0"	3.0"	2.2"	2.4"	2.4"	2.4"	2.4"	2.2"	2.4"	2.4"	2.1"	3.0"	2.7"		
236"	+/- 10 PSF	566 LB/FT	98 LB/FT	6.0"	6.0"	6.0"	6.0"	6.0"	6.0"	6.0"	6.0"	6.0"	6.0"	6.0"	6.0"	6.0"	6.0"	6.0"	6.0"	6.0"	
	+/- 20 PSF	1188 LB/FT	197 LB/FT	5.3"	4.9"	3.8"	4.0"	4.7"	3.6"	3.6"	4.0"	3.8"	3.8"	3.6"	3.6"	3.6"	3.4"	4.9"	4.4"		
	+/- 30 PSF	1810 LB/FT	295 LB/FT	3.2"	3.2"	2.5"	3.1"	3.1"	2.4"	2.6"	2.6"	2.6"	2.6"	2.4"	2.6"	2.6"	2.3"	3.2"	2.9"		
	+/- 33 PSF	1997 LB/FT	325 LB/FT	3.0"	3.0"	2.3"	3.0"	3.0"	2.2"	2.4"	2.4"	2.4"	2.4"	2.2"	2.4"	2.4"	2.1"	2.9"	2.6"		

SEE PAGE 22 FOR ANCHOR SCHEDULE NOTES

REMARKS	DRWN	CHKD	DATE
INIT ISSUE	CSL	RWN	6/11/2021
REV - ADDL OPTIONS	RWN	RWN	8/15/2021
REV - ADDL OPTIONS	RWN	RWN	10/14/2021

COPYRIGHT ENGINEERING EXPRESS®

20-32431

SCALE: NTS UNLESS NOTED

C:\Users\rickn\Engineering\Express\Production - Documents\Projects\20-32431 QMI QOM 3-AL8 Family Drawing\WP2020\FBC\20-32431h_QOM3 - AL8.dwg 10/18/2021 - 12:09pm rickn

ANCHOR SCHEDULE: WALL MOUNT, SPANS 120"-144", ≥5/16"Ø FASTENERS

RICHARD NEET, P.E.
PE# 86488 CA# 9865



ENGINEERING EXPRESS
 POSTAL ADDRESS:
 401 W. ATLANTIC AVE R10 #219
 DELRAY BEACH, FL 33444
 ENGINEERINGEXPRESS.COM

SLAT SPAN	DESIGN PRESSURE	Rx	Ry	3/8" ELCO / DEWALT CONFLX	3/8" DEWALT SCREW BOLT+	3/8" ELCO / DEWALT CONFLX	3/8" DEWALT SCREW BOLT+	3/8" HILTI KH-EZ	3/8" HILTI KH-EZ	5/16" DEWALT ULTRACON	3/8" DEWALT SCREW BOLT+	5/16" ITW TAPCON XL	5/16" ITW TAPCON XL	3/8" ELCO TAPFLEX	5/16" ELCO DRIL-FLEX	5/16" (410 SS) DRILL POINT SCREW	5/16" (410 SS) DRILL POINT SCREW	#20 (0.32") WOOD SCREW	
				CONCRETE	CONCRETE	CONCRETE	CONCRETE	CONCRETE	CONCRETE	CONCRETE	GFB	GFB	HOLLOW BLOCK	1/4" ALUM. OR STEEL	1/4" STEEL	1/4" STEEL	1/4" ALUM.	WOOD	
				4510 PSI	3000 PSI	1819 PSI	3000 PSI	3000 PSI	3000 PSI	3500 PSI	ASTM C90	ASTM C90	ASTM C90	6061-T6 OR A36	A36	A36	6063-T6	G=0.55	
				EMBED: 3.50"	EMBED: 3.25"	EMBED: 3.50"	EMBED: 3.25"	EMBED: 3.25"	EMBED: 3.25"	EMBED: 2.00"	EMBED: 3.25"	EMBED: 2.25"	EMBED: 1.75"	-	-	-	-	EMBED: 4.00"	
				EDGE= 3.75"	EDGE= 5.00"	EDGE= 3.75"	EDGE= 4.00"	EDGE= 5.00"	EDGE= 4.00"	EDGE= 3.13"	EDGE= 5.00"	EDGE= 4.00"	EDGE= 4.00"	EDGE= 0.75"	EDGE= 0.75"	EDGE= 0.75"	EDGE= 0.63"	EDGE= 1.50"	
120"	+/- 30 PSF	456 LB/FT	150 LB/FT	6.0"	6.0"	6.0"	6.0"	6.0"	6.0"	6.0"	6.0"	6.0"	6.0"	6.0"	6.0"	6.0"	6.0"	6.0"	
	+/- 40 PSF	680 LB/FT	200 LB/FT	6.0"	6.0"	6.0"	6.0"	6.0"	6.0"	6.0"	6.0"	6.0"	6.0"	6.0"	6.0"	6.0"	6.0"	5.6"	
	+/- 50 PSF	905 LB/FT	250 LB/FT	6.0"	6.0"	6.0"	6.0"	6.0"	6.0"	6.0"	6.0"	6.0"	6.0"	6.0"	6.0"	6.0"	6.0"	4.2"	
	+/- 60 PSF	1129 LB/FT	300 LB/FT	6.0"	6.0"	6.0"	6.0"	6.0"	6.0"	6.0"	6.0"	6.0"	6.0"	6.0"	6.0"	6.0"	6.0"	6.0"	3.4"
	+/- 70.0 PSF	1353 LB/FT	350 LB/FT	6.0"	6.0"	6.0"	6.0"	6.0"	6.0"	6.0"	6.0"	6.0"	6.0"	6.0"	6.0"	6.0"	6.0"	6.0"	2.8"
	+/- 80.0 PSF	1578 LB/FT	400 LB/FT	6.0"	6.0"	6.0"	6.0"	6.0"	6.0"	6.0"	6.0"	6.0"	6.0"	6.0"	6.0"	6.0"	6.0"	6.0"	2.4"
	+/- 90.0 PSF	1802 LB/FT	450 LB/FT	6.0"	6.0"	6.0"	5.2"	6.0"	5.5"	6.0"	6.0"	6.0"	6.0"	6.0"	6.0"	6.0"	6.0"	5.9"	
	+/- 100.0 PSF	2026 LB/FT	500 LB/FT	6.0"	5.6"	6.0"	4.7"	6.0"	4.9"	6.0"	6.0"	6.0"	6.0"	6.0"	6.0"	6.0"	6.0"	5.3"	
	+/- 110.0 PSF	2250 LB/FT	550 LB/FT	6.0"	5.1"	6.0"	4.2"	6.0"	4.4"	6.0"	6.0"	6.0"	6.0"	6.0"	6.0"	6.0"	6.0"	4.8"	
	+/- 120.0 PSF	2475 LB/FT	600 LB/FT	6.0"	4.6"	6.0"	3.6"	5.4"	4.0"	6.0"	6.0"	6.0"	6.0"	6.0"	6.0"	6.0"	6.0"	4.3"	
	+/- 130.0 PSF	2699 LB/FT	650 LB/FT	6.0"	4.2"	6.0"	3.3"	5.0"	3.5"	6.0"	6.0"	6.0"	6.0"	6.0"	6.0"	6.0"	6.0"	4.0"	
	+/- 140.0 PSF	2923 LB/FT	700 LB/FT	6.0"	3.7"		3.0"	4.6"	3.2"	6.0"	6.0"	6.0"	6.0"	6.0"	6.0"	6.0"	6.0"	3.7"	
+/- 150.0 PSF	3148 LB/FT	750 LB/FT	6.0"	3.4"			4.3"		6.0"	6.0"	6.0"	6.0"	6.0"	6.0"	6.0"	6.0"	3.4"		
+/- 152.0 PSF	3192 LB/FT	760 LB/FT	6.0"	3.4"			4.2"		6.0"	6.0"	6.0"	6.0"	6.0"	6.0"	6.0"	6.0"	3.4"		
132"	+/- 30 PSF	598 LB/FT	165 LB/FT	6.0"	6.0"	6.0"	6.0"	6.0"	6.0"	6.0"	6.0"	6.0"	6.0"	6.0"	6.0"	6.0"	6.0"	6.0"	
	+/- 40 PSF	857 LB/FT	220 LB/FT	6.0"	6.0"	6.0"	6.0"	6.0"	6.0"	6.0"	6.0"	6.0"	6.0"	6.0"	6.0"	6.0"	6.0"	4.5"	
	+/- 50 PSF	1116 LB/FT	275 LB/FT	6.0"	6.0"	6.0"	6.0"	6.0"	6.0"	6.0"	6.0"	6.0"	6.0"	6.0"	6.0"	6.0"	6.0"	3.4"	
	+/- 60 PSF	1375 LB/FT	330 LB/FT	6.0"	6.0"	6.0"	6.0"	6.0"	6.0"	6.0"	6.0"	6.0"	6.0"	6.0"	6.0"	6.0"	6.0"	2.8"	
	+/- 70 PSF	1634 LB/FT	385 LB/FT	6.0"	6.0"	6.0"	5.8"	6.0"	6.0"	6.0"	6.0"	6.0"	6.0"	6.0"	6.0"	6.0"	6.0"	2.4"	
	+/- 80 PSF	1893 LB/FT	440 LB/FT	6.0"	6.0"	6.0"	5.0"	6.0"	5.3"	6.0"	6.0"	6.0"	6.0"	6.0"	6.0"	6.0"	6.0"	5.7"	
	+/- 90 PSF	2152 LB/FT	495 LB/FT	6.0"	5.4"	6.0"	4.4"	6.0"	4.7"	6.0"	6.0"	6.0"	6.0"	6.0"	6.0"	6.0"	6.0"	5.0"	
	+/- 100 PSF	2411 LB/FT	550 LB/FT	6.0"	4.8"	6.0"	3.7"	5.6"	4.2"	6.0"	6.0"	6.0"	6.0"	6.0"	6.0"	6.0"	6.0"	4.5"	
	+/- 110 PSF	2670 LB/FT	605 LB/FT	6.0"	4.3"	6.0"	3.3"	5.1"	3.6"	6.0"	6.0"	6.0"	6.0"	6.0"	6.0"	6.0"	6.0"	4.1"	
	+/- 120 PSF	2929 LB/FT	660 LB/FT	6.0"	3.7"		3.1"	4.7"	3.2"	6.0"	6.0"	6.0"	6.0"	6.0"	6.0"	6.0"	6.0"	3.7"	
	+/- 130 PSF	3188 LB/FT	715 LB/FT	6.0"	3.4"			4.3"		6.0"	6.0"	6.0"	6.0"	6.0"	6.0"	6.0"	6.0"	3.4"	
	+/- 140 PSF	3447 LB/FT	770 LB/FT	6.0"	3.1"			3.7"		6.0"	6.0"	6.0"	6.0"	6.0"	6.0"	6.0"	6.0"	3.2"	
+/- 145 PSF	3587 LB/FT	800 LB/FT		3.0"			3.6"		6.0"	6.0"	6.0"	6.0"	6.0"	6.0"	6.0"	6.0"	3.0"		
144"	+/- 20 PSF	440 LB/FT	120 LB/FT	6.0"	6.0"	6.0"	6.0"	6.0"	6.0"	6.0"	6.0"	6.0"	6.0"	6.0"	6.0"	6.0"	6.0"	6.0"	
	+/- 30 PSF	735 LB/FT	180 LB/FT	6.0"	6.0"	6.0"	6.0"	6.0"	6.0"	6.0"	6.0"	6.0"	6.0"	6.0"	6.0"	6.0"	6.0"	5.2"	
	+/- 40 PSF	1031 LB/FT	240 LB/FT	6.0"	6.0"	6.0"	6.0"	6.0"	6.0"	6.0"	6.0"	6.0"	6.0"	6.0"	6.0"	6.0"	6.0"	3.7"	
	+/- 50 PSF	1326 LB/FT	300 LB/FT	6.0"	6.0"	6.0"	6.0"	6.0"	6.0"	6.0"	6.0"	6.0"	6.0"	6.0"	6.0"	6.0"	6.0"	2.9"	
	+/- 60 PSF	1622 LB/FT	360 LB/FT	6.0"	6.0"	6.0"	5.9"	6.0"	6.0"	6.0"	6.0"	6.0"	6.0"	6.0"	6.0"	6.0"	6.0"	2.4"	
	+/- 70 PSF	1917 LB/FT	420 LB/FT	6.0"	6.0"	6.0"	5.0"	6.0"	5.3"	6.0"	6.0"	6.0"	6.0"	6.0"	6.0"	6.0"	6.0"	5.7"	
	+/- 80 PSF	2213 LB/FT	480 LB/FT	6.0"	5.2"	6.0"	4.3"	6.0"	4.6"	6.0"	6.0"	6.0"	6.0"	6.0"	6.0"	6.0"	6.0"	4.9"	
	+/- 90 PSF	2508 LB/FT	540 LB/FT	6.0"	4.6"	6.0"	3.6"	5.5"	4.0"	6.0"	6.0"	6.0"	6.0"	6.0"	6.0"	6.0"	6.0"	4.4"	
	+/- 100 PSF	2803 LB/FT	600 LB/FT	6.0"	4.1"	6.0"	3.2"	4.9"	3.4"	6.0"	6.0"	6.0"	6.0"	6.0"	6.0"	6.0"	6.0"	3.9"	
	+/- 110 PSF	3099 LB/FT	660 LB/FT	6.0"	3.5"			4.4"	3.1"	6.0"	6.0"	6.0"	6.0"	6.0"	6.0"	6.0"	6.0"	3.5"	
	+/- 120 PSF	3394 LB/FT	720 LB/FT	6.0"	3.2"			4.1"		6.0"	6.0"	6.0"	6.0"	6.0"	6.0"	6.0"	6.0"	3.2"	
	+/- 130 PSF	3690 LB/FT	780 LB/FT					3.5"		6.0"	6.0"	6.0"	6.0"	6.0"	6.0"	6.0"	6.0"	3.3"	
+/- 140.0 PSF	3985 LB/FT	840 LB/FT					3.3"		6.0"	6.0"	6.0"	6.0"	6.0"	6.0"	6.0"	6.0"	3.0"		

QMI SECURITY SOLUTIONS
 1661 GLENLAKE AVE.
 ITASCA, IL 60143
 PHONE: (866) 980-1750
 QOM3 - AL8 ROLL-UP SHUTTER
 FLORIDA BUILDING CODE SEVENTH ED (2020)
 PRODUCT APPROVAL #FL 39156.1

REMARKS	DRWN	CHKD	DATE
INIT ISSUE	CSL	RWN	6/11/2021
REV - ADDL OPTIONS	RWN	RWN	6/15/2021
REV - ADDL OPTIONS	RWN	RWN	10/14/2021

COPYRIGHT ENGINEERING EXPRESS®
 20-32431
 SCALE: NTS UNLESS NOTED
 OF 30
10

C:\Users\rickn\Engineering\Express\Production - Documents\Projects\20-32431 QMI QOM 3-AL8 Family Drawing\WP2020\FBC\20-32431h QOM3 - AL8.dwg 10/18/2021 - 12:09pm rickn

SEE PAGE 22 FOR ANCHOR SCHEDULE NOTES

ANCHOR SCHEDULE: WALL MOUNT, SPANS 156"-180", ≥5/16"Ø FASTENERS

RICHARD NEET, P.E.
PE# 86488 CA# 9865



POSTAL ADDRESS:
401 W. ATLANTIC AVE R10 #219
DELRAY BEACH, FL 33444
ENGINEERINGEXPRESS.COM

SLAT SPAN	DESIGN PRESSURE	Rx	Ry	3/8" ELCO / DEWALT CONFLEX	3/8" DEWALT SCREW BOLT+	3/8" ELCO / DEWALT CONFLEX	3/8" DEWALT SCREW BOLT+	3/8" HILTI KH-EZ	3/8" HILTI KH-EZ	5/16" DEWALT ULTRACON	3/8" DEWALT SCREW BOLT+	5/16" ITW TAPCON XL	5/16" ITW TAPCON XL	3/8" ELCO TAPFLEX	5/16" ELCO DRILL-FLEX	5/16" (410 SS) DRILL POINT SCREW	5/16" (410 SS) DRILL POINT SCREW	#20 (0.32") WOOD SCREW	
				CONCRETE	CONCRETE	CONCRETE	CONCRETE	CONCRETE	CONCRETE	CONCRETE	GFB	GFB	HOLLOW BLOCK	1/4" ALUM. OR STEEL	1/4" STEEL	1/4" STEEL	1/4" ALUM.	WOOD	
				4510 PSI	3000 PSI	1819 PSI	3000 PSI	3000 PSI	3000 PSI	3500 PSI	ASTM C90	ASTM C90	ASTM C90	6061-T6 OR A36	A36	A36	6063-T6	G=0.55	
	EMBED: 3.50"	EMBED: 3.25"	EMBED: 3.50"	EMBED: 3.25"	EMBED: 3.25"	EMBED: 3.25"	EMBED: 2.00"	EMBED: 3.25"	EMBED: 2.25"	EMBED: 1.75"									
	EDGE= 3.75"	EDGE= 5.00"	EDGE= 3.75"	EDGE= 4.00"	EDGE= 5.00"	EDGE= 4.00"	EDGE= 3.13"	EDGE= 5.00"	EDGE= 4.00"	EDGE= 4.00"	EDGE= 0.75"	EDGE= 0.75"	EDGE= 0.75"	EDGE= 0.63"	EDGE= 1.50"				
156"	+/- 20 PSF	538 LB/FT	130 LB/FT	6.0"	6.0"	6.0"	6.0"	6.0"	6.0"	6.0"	6.0"	6.0"	6.0"	6.0"	6.0"	6.0"	6.0"	6.0"	
	+/- 30 PSF	871 LB/FT	195 LB/FT	6.0"	6.0"	6.0"	6.0"	6.0"	6.0"	6.0"	6.0"	6.0"	6.0"	6.0"	6.0"	6.0"	6.0"	4.4"	
	+/- 40 PSF	1205 LB/FT	260 LB/FT	6.0"	6.0"	6.0"	6.0"	6.0"	6.0"	6.0"	6.0"	6.0"	6.0"	6.0"	6.0"	6.0"	6.0"	3.2"	
	+/- 50 PSF	1538 LB/FT	325 LB/FT	6.0"	6.0"	6.0"	6.0"	6.0"	6.0"	6.0"	6.0"	6.0"	6.0"	6.0"	6.0"	6.0"	6.0"	6.0"	2.5"
	+/- 60 PSF	1872 LB/FT	390 LB/FT	6.0"	6.0"	6.0"	6.0"	6.0"	6.0"	6.0"	6.0"	6.0"	6.0"	6.0"	6.0"	6.0"	6.0"	6.0"	5.9"
	+/- 70 PSF	2205 LB/FT	455 LB/FT	6.0"	5.3"	6.0"	4.4"	6.0"	4.6"		3.7"				6.0"	5.5"	5.5"	5.0"	
	+/- 75 PSF	2372 LB/FT	488 LB/FT	6.0"	4.9"	6.0"	4.1"	5.8"	4.3"		3.4"				6.0"	5.1"	5.1"	4.7"	
	+/- 80 PSF	2538 LB/FT	520 LB/FT	6.0"	4.6"	6.0"	3.6"	5.4"	4.0"		3.2"				6.0"	4.8"	4.8"	4.4"	
	+/- 90 PSF	2872 LB/FT	585 LB/FT	6.0"	4.1"	6.0"	3.2"	4.8"	3.3"						5.8"	4.2"	4.2"	3.9"	
	+/- 100 PSF	3205 LB/FT	650 LB/FT	6.0"	3.4"			4.3"							5.2"	3.8"	3.8"	3.5"	
	+/- 105 PSF	3372 LB/FT	683 LB/FT	6.0"	3.3"			4.1"							5.0"	3.6"	3.6"	3.3"	
	+/- 110 PSF	3539 LB/FT	715 LB/FT	6.0"	3.1"			3.7"							4.7"	3.4"	3.5"	3.1"	
	+/- 120 PSF	3872 LB/FT	780 LB/FT					3.4"							4.3"	3.1"	3.2"		
+/- 124.7 PSF	4029 LB/FT	811 LB/FT					3.2"							4.2"	3.0"	3.0"			
168"	+/- 20 PSF	635 LB/FT	140 LB/FT	6.0"	6.0"	6.0"	6.0"	6.0"	6.0"	6.0"	6.0"	6.0"	6.0"	6.0"	6.0"	6.0"	6.0"	6.0"	
	+/- 30 PSF	1007 LB/FT	210 LB/FT	6.0"	6.0"	6.0"	6.0"	6.0"	6.0"	6.0"	6.0"	6.0"	6.0"	6.0"	6.0"	6.0"	6.0"	6.0"	3.8"
	+/- 40 PSF	1380 LB/FT	280 LB/FT	6.0"	6.0"	6.0"	6.0"	6.0"	6.0"	6.0"	6.0"	6.0"	6.0"	6.0"	6.0"	6.0"	6.0"	6.0"	2.8"
	+/- 50 PSF	1753 LB/FT	350 LB/FT	6.0"	6.0"	6.0"	6.0"	6.0"	6.0"	6.0"	6.0"	6.0"	6.0"	6.0"	6.0"	6.0"	6.0"	6.0"	
	+/- 60 PSF	2126 LB/FT	420 LB/FT	6.0"	5.5"	6.0"	4.6"	6.0"	4.8"		3.8"	3.8"			6.0"	5.7"	5.8"	5.2"	
	+/- 65 PSF	2312 LB/FT	455 LB/FT	6.0"	5.1"	6.0"	4.2"	6.0"	4.4"		3.5"				6.0"	5.3"	5.3"	4.8"	
	+/- 70 PSF	2499 LB/FT	490 LB/FT	6.0"	4.7"	6.0"	3.6"	5.6"	4.1"		3.3"				6.0"	4.9"	4.9"	4.5"	
	+/- 80 PSF	2872 LB/FT	560 LB/FT	6.0"	4.1"	6.0"	3.2"	4.9"	3.4"						5.9"	4.2"	4.3"	3.9"	
	+/- 90 PSF	3244 LB/FT	630 LB/FT	6.0"	3.4"			4.3"							5.2"	3.8"	3.8"	3.4"	
	+/- 95 PSF	3431 LB/FT	665 LB/FT	6.0"	3.2"			4.1"							4.9"	3.6"	3.6"	3.3"	
	+/- 100 PSF	3617 LB/FT	700 LB/FT		3.0"			3.6"							4.7"	3.4"	3.4"	3.1"	
	+/- 110 PSF	3990 LB/FT	770 LB/FT					3.3"							4.2"	3.1"	3.1"		
	+/- 112.1 PSF	4068 LB/FT	785 LB/FT					3.2"							4.2"	3.0"	3.0"		
180"	+/- 10 PSF	317 LB/FT	75 LB/FT	6.0"	6.0"	6.0"	6.0"	6.0"	6.0"	6.0"	6.0"	6.0"	6.0"	6.0"	6.0"	6.0"	6.0"	6.0"	
	+/- 20 PSF	731 LB/FT	150 LB/FT	6.0"	6.0"	6.0"	6.0"	6.0"	6.0"	6.0"	6.0"	6.0"	6.0"	6.0"	6.0"	6.0"	6.0"	6.0"	5.3"
	+/- 30 PSF	1144 LB/FT	225 LB/FT	6.0"	6.0"	6.0"	6.0"	6.0"	6.0"	6.0"	6.0"	6.0"	6.0"	6.0"	6.0"	6.0"	6.0"	6.0"	3.4"
	+/- 40 PSF	1558 LB/FT	300 LB/FT	6.0"	6.0"	6.0"	6.0"	6.0"	6.0"	6.0"	6.0"	6.0"	6.0"	6.0"	6.0"	6.0"	6.0"	6.0"	2.5"
	+/- 50 PSF	1972 LB/FT	375 LB/FT	6.0"	6.0"	6.0"	6.0"	6.0"	6.0"	6.0"	6.0"	6.0"	6.0"	6.0"	6.0"	6.0"	6.0"	6.0"	
	+/- 54 PSF	2137 LB/FT	405 LB/FT	6.0"	5.5"	6.0"	4.6"	6.0"	4.8"		3.8"	3.8"			6.0"	5.7"	5.8"	5.2"	
	+/- 60 PSF	2386 LB/FT	450 LB/FT	6.0"	4.9"	6.0"	4.1"	5.9"	4.3"		3.4"				6.0"	5.1"	5.2"	4.7"	
	+/- 70 PSF	2799 LB/FT	525 LB/FT	6.0"	4.2"	6.0"	3.3"	5.0"	3.5"						6.0"	4.4"	4.4"	4.0"	
	+/- 80 PSF	3213 LB/FT	600 LB/FT	6.0"	3.4"			4.4"	3.0"						5.3"	3.8"	3.8"	3.5"	
	+/- 85 PSF	3420 LB/FT	638 LB/FT	6.0"	3.2"			4.1"							5.0"	3.6"	3.6"	3.3"	
	+/- 90 PSF	3627 LB/FT	675 LB/FT		3.1"			3.6"							4.7"	3.4"	3.4"	3.1"	
	+/- 100 PSF	4040 LB/FT	750 LB/FT					3.3"							4.2"	3.0"	3.1"		
	+/- 101.7 PSF	4111 LB/FT	763 LB/FT					3.2"							4.1"	3.0"	3.0"		

QMI SECURITY SOLUTIONS

1661 GLENLAKE AVE.
ITASCA, IL 60143

PHONE: (866) 980-1750

QOM3 - AL8 ROLL-UP SHUTTER
FLORIDA BUILDING CODE SEVENTH ED (2020)
PRODUCT APPROVAL #FL 39156.1

REMARKS	DRWN	CHKD	DATE
INIT ISSUE	RWN	RWN	6/11/2021
REV - ADDL OPTIONS	RWN	RWN	8/15/2021
REV - ADDL OPTIONS	RWN	RWN	10/14/2021

COPYRIGHT ENGINEERING EXPRESS®

20-32431

SCALE: NTS UNLESS NOTED

11 OF 30

SEE PAGE 22 FOR ANCHOR SCHEDULE NOTES

ANCHOR SCHEDULE: WALL MOUNT, SPANS 192"-236", ≥5/16"Ø FASTENERS

RICHARD NEET, P.E.
PE# 86488 CA# 9865



C:\Users\rickn\Engineering Express\Production - Documents\Projects\20-32431 QMI QOM 3-AL8 Family Drawing\WP2020\FBC\20-32431h_QOM3 - AL8.dwg 10/18/2021 - 12:09pm rickn

SLAT SPAN	DESIGN PRESSURE	Rx	Ry	3/8" ELCO / DEWALT CONFLEX	3/8" DEWALT SCREW BOLT+	3/8" ELCO / DEWALT CONFLEX	3/8" DEWALT SCREW BOLT+	3/8" HILTI KH-EZ	3/8" HILTI KH-EZ	5/16" DEWALT ULTRACON	3/8" DEWALT SCREW BOLT+	5/16" ITW TAPCON XL	5/16" ITW TAPCON XL	3/8" ELCO TAPFLEX	5/16" ELCO DRIL-FLEX	5/16" (410 SS) DRILL POINT SCREW	5/16" (410 SS) DRILL POINT SCREW	#20 (0.32") WOOD SCREW
				CONCRETE	CONCRETE	CONCRETE	CONCRETE	CONCRETE	CONCRETE	CONCRETE	GFB	GFB	HOLLOW BLOCK	1/4" ALUM. OR STEEL	1/4" STEEL	1/4" STEEL	1/4" ALUM.	WOOD
				4510 PSI	3000 PSI	1819 PSI	3000 PSI	3000 PSI	3000 PSI	3500 PSI	ASTM C90	ASTM C90	ASTM C90	6061-T6 OR A36	A36	A36	6063-T6	G=0.55
				EMBED: 3.50"	EMBED: 3.25"	EMBED: 3.50"	EMBED: 3.25"	EMBED: 3.25"	EMBED: 3.25"	EMBED: 2.00"	EMBED: 3.25"	EMBED: 2.25"	EMBED: 1.75"	-	-	-	-	EMBED: 4.00"
				EDGE= 3.75"	EDGE= 5.00"	EDGE= 3.75"	EDGE= 4.00"	EDGE= 5.00"	EDGE= 4.00"	EDGE= 3.13"	EDGE= 5.00"	EDGE= 4.00"	EDGE= 4.00"	EDGE= 0.75"	EDGE= 0.75"	EDGE= 0.75"	EDGE= 0.63"	EDGE= 1.50"
192"	+/- 10 PSF	371 LB/FT	80 LB/FT	6.0"	6.0"	6.0"	6.0"	6.0"	6.0"	6.0"	6.0"	6.0"	6.0"	6.0"	6.0"	6.0"	6.0"	6.0"
	+/- 20 PSF	827 LB/FT	160 LB/FT	6.0"	6.0"	6.0"	6.0"	6.0"	6.0"	6.0"	6.0"	6.0"	5.8"	6.0"	6.0"	6.0"	6.0"	4.7"
	+/- 30 PSF	1283 LB/FT	240 LB/FT	6.0"	6.0"	6.0"	6.0"	6.0"	6.0"	5.1"	6.0"	6.0"	3.8"	6.0"	6.0"	6.0"	6.0"	3.0"
	+/- 40 PSF	1739 LB/FT	320 LB/FT	6.0"	6.0"	6.0"	5.6"	6.0"	5.9"	3.8"	4.7"	4.7"		6.0"	6.0"	6.0"	6.0"	2.2"
	+/- 50 PSF	2195 LB/FT	400 LB/FT	6.0"	5.4"	6.0"	4.5"	6.0"	4.7"		3.8"			6.0"	5.6"	5.7"	5.1"	
	+/- 55 PSF	2423 LB/FT	440 LB/FT	6.0"	4.9"	6.0"	4.0"	5.8"	4.2"		3.4"			6.0"	5.1"	5.1"	4.7"	
	+/- 60 PSF	2651 LB/FT	480 LB/FT	6.0"	4.5"	6.0"	3.5"	5.3"	3.7"		3.1"			6.0"	4.6"	4.7"	4.3"	
	+/- 70 PSF	3107 LB/FT	560 LB/FT	6.0"	3.6"			4.5"	3.1"					6.0"	4.0"	4.0"	3.6"	
	+/- 75 PSF	3335 LB/FT	600 LB/FT	6.0"	3.3"			4.2"						6.0"	3.7"	3.7"	3.4"	
	+/- 80 PSF	3563 LB/FT	640 LB/FT	6.0"	3.1"			3.7"						6.0"	3.5"	3.5"	3.2"	
+/- 90 PSF	4019 LB/FT	720 LB/FT					3.3"						6.0"	3.1"	3.1"			
+/- 92.9 PSF	4151 LB/FT	743 LB/FT					3.2"						6.0"					
204"	+/- 10 PSF	424 LB/FT	85 LB/FT	6.0"	6.0"	6.0"	6.0"	6.0"	6.0"	6.0"	6.0"	6.0"	6.0"	6.0"	6.0"	6.0"	6.0"	6.0"
	+/- 20 PSF	924 LB/FT	170 LB/FT	6.0"	6.0"	6.0"	6.0"	6.0"	6.0"	6.0"	6.0"	6.0"	5.3"	6.0"	6.0"	6.0"	6.0"	4.2"
	+/- 30 PSF	1423 LB/FT	255 LB/FT	6.0"	6.0"	6.0"	6.0"	6.0"	6.0"	4.7"	5.8"	5.8"		6.0"	6.0"	6.0"	6.0"	2.7"
	+/- 40 PSF	1923 LB/FT	340 LB/FT	6.0"	6.0"	6.0"	5.1"	6.0"	5.4"		4.3"	4.3"		6.0"	6.0"	6.0"	5.9"	
	+/- 50 PSF	2423 LB/FT	425 LB/FT	6.0"	4.9"	6.0"	4.1"	5.8"	4.3"		3.4"			6.0"	5.1"	5.2"	4.7"	
	+/- 55 PSF	2673 LB/FT	468 LB/FT	6.0"	4.5"	6.0"	3.4"	5.3"	3.7"		3.1"			6.0"	4.6"	4.7"	4.2"	
	+/- 60 PSF	2922 LB/FT	510 LB/FT	6.0"	4.1"	6.0"	3.2"	4.8"	3.3"					6.0"	4.2"	4.3"	3.9"	
	+/- 70 PSF	3422 LB/FT	595 LB/FT	6.0"	3.3"			4.1"						6.0"	3.6"	3.7"	3.3"	
	+/- 75 PSF	3672 LB/FT	638 LB/FT		3.0"			3.6"						6.0"	3.4"	3.4"	3.1"	
	+/- 80 PSF	3922 LB/FT	680 LB/FT					3.4"						6.0"	3.2"	3.2"		
+/- 85.4 PSF	4192 LB/FT	726 LB/FT					3.2"						6.0"					
216"	+/- 10 PSF	477 LB/FT	90 LB/FT	6.0"	6.0"	6.0"	6.0"	6.0"	6.0"	6.0"	6.0"	6.0"	6.0"	6.0"	6.0"	6.0"	6.0"	6.0"
	+/- 20 PSF	1022 LB/FT	180 LB/FT	6.0"	6.0"	6.0"	6.0"	6.0"	6.0"	6.0"	6.0"	6.0"	4.8"	6.0"	6.0"	6.0"	6.0"	3.8"
	+/- 30 PSF	1566 LB/FT	270 LB/FT	6.0"	6.0"	6.0"	6.0"	6.0"	6.0"	4.3"	5.3"	5.3"		6.0"	6.0"	6.0"	6.0"	2.5"
	+/- 40 PSF	2111 LB/FT	360 LB/FT	6.0"	5.7"	6.0"	4.7"	6.0"	4.9"		3.9"	3.9"		6.0"	5.9"	5.9"	5.4"	
	+/- 41 PSF	2165 LB/FT	369 LB/FT	6.0"	5.5"	6.0"	4.6"	6.0"	4.8"		3.8"	3.8"		6.0"	5.7"	5.8"	5.3"	
	+/- 50 PSF	2656 LB/FT	450 LB/FT	6.0"	4.5"	6.0"	3.5"	5.3"	3.7"		3.1"			6.0"	4.7"	4.7"	4.3"	
	+/- 60 PSF	3200 LB/FT	540 LB/FT	6.0"	3.5"			4.4"	3.1"					6.0"	3.9"	3.9"	3.6"	
	+/- 70 PSF	3745 LB/FT	630 LB/FT					3.6"						6.0"	3.3"	3.4"	3.0"	
	+/- 75 PSF	4017 LB/FT	675 LB/FT					3.3"						6.0"	3.1"	3.1"		
	+/- 79 PSF	4235 LB/FT	711 LB/FT					3.2"						6.0"				
228"	+/- 10 PSF	530 LB/FT	95 LB/FT	6.0"	6.0"	6.0"	6.0"	6.0"	6.0"	6.0"	6.0"	6.0"	6.0"	6.0"	6.0"	6.0"	6.0"	6.0"
	+/- 20 PSF	1121 LB/FT	190 LB/FT	6.0"	6.0"	6.0"	6.0"	6.0"	6.0"	6.0"	6.0"	6.0"	4.5"	6.0"	6.0"	6.0"	6.0"	3.5"
	+/- 30 PSF	1712 LB/FT	285 LB/FT	6.0"	6.0"	6.0"	5.8"	6.0"	6.0"	4.0"	4.9"	4.8"		6.0"	6.0"	6.0"	6.0"	2.3"
	+/- 40 PSF	2303 LB/FT	380 LB/FT	6.0"	5.2"	6.0"	4.3"	6.0"	4.5"		3.6"			6.0"	5.4"	5.5"	5.0"	
	+/- 45 PSF	2598 LB/FT	428 LB/FT	6.0"	4.6"	6.0"	3.6"	6.0"	5.5"		3.2"			6.0"	4.8"	4.8"	4.4"	
	+/- 50 PSF	2894 LB/FT	475 LB/FT	6.0"	4.1"	6.0"	3.2"	4.9"	3.4"					6.0"	4.3"	4.4"	4.0"	
	+/- 60 PSF	3484 LB/FT	570 LB/FT	6.0"	3.2"			4.1"						6.0"	3.6"	3.6"	3.3"	
	+/- 65 PSF	3780 LB/FT	618 LB/FT					3.6"						6.0"	3.3"	3.3"	3.0"	
	+/- 70 PSF	4075 LB/FT	665 LB/FT					3.3"						6.0"	3.1"	3.1"		
	+/- 73 PSF	4276 LB/FT	697 LB/FT					3.2"						6.0"				
236"	+/- 10 PSF	566 LB/FT	98 LB/FT	6.0"	6.0"	6.0"	6.0"	6.0"	6.0"	6.0"	6.0"	6.0"	6.0"	6.0"	6.0"	6.0"	6.0"	6.0"
	+/- 20 PSF	1188 LB/FT	197 LB/FT	6.0"	6.0"	6.0"	6.0"	6.0"	6.0"	6.0"	6.0"	6.0"	4.2"	6.0"	6.0"	6.0"	6.0"	3.3"
	+/- 30 PSF	1810 LB/FT	295 LB/FT	6.0"	6.0"	6.0"	5.5"	6.0"	5.7"		3.8"	4.6"	4.6"	6.0"	6.0"	6.0"	6.0"	
	+/- 40 PSF	2433 LB/FT	393 LB/FT	6.0"	4.9"	6.0"	4.1"	5.9"	4.3"		3.4"			6.0"	5.1"	5.2"	4.7"	
	+/- 45 PSF	2744 LB/FT	443 LB/FT	6.0"	4.4"	6.0"	3.4"	5.2"	3.6"		3.0"			6.0"	4.6"	4.6"	4.2"	
	+/- 50 PSF	3055 LB/FT	492 LB/FT	6.0"	3.7"			4.7"	3.2"					6.0"	4.1"	4.1"	3.8"	
	+/- 60 PSF	3677 LB/FT	590 LB/FT		3.1"			3.7"						6.0"	3.4"	3.4"	3.1"	
	+/- 65 PSF	3989 LB/FT	639 LB/FT					3.4"						6.0"	3.1"	3.2"		
+/- 70.0 PSF	4300 LB/FT	688 LB/FT					3.1"						6.0"					

ENGINEERING EXPRESS
 POSTAL ADDRESS:
 401 W. ATLANTIC AVE R10 #219
 DELRAY BEACH, FL 33444
 ENGINEERINGEXPRESS.COM

QMI SECURITY SOLUTIONS
 1661 GLENLAKE AVE.
 ITASCA, IL 60143
 PHONE: (866) 980-1750
 QOM3 - AL8 ROLL-UP SHUTTER
 FLORIDA BUILDING CODE SEVENTH ED (2020)
 PRODUCT APPROVAL #FL 39156.1

REMARKS	DRWN	CHKD	DATE
INIT ISSUE	CSL	RWN	8/11/2021
REV - ADDL OPTIONS	RWN	RWN	8/15/2021
REV - ADDL OPTIONS	RWN	RWN	10/14/2021

COPYRIGHT ENGINEERING EXPRESS®

20-32431
 SCALE: NTS UNLESS NOTED

SEE PAGE 22 FOR ANCHOR SCHEDULE NOTES

ANCHOR SCHEDULE: BUILD-OUT MOUNT, SPANS 48"-144", 1/4"Ø FASTENERS

RICHARD NEET, P.E.
PE# 86488 CA# 9865



POSTAL ADDRESS:
401 W. ATLANTIC AVE R10 #219
DELRAY BEACH, FL 33444
ENGINEERINGEXPRESS.COM

QMI SECURITY SOLUTIONS

1661 GLENLAKE AVE.
ITASCIA, IL 60143
PHONE: (866) 980-1750

QOM3 - AL8 ROLL-UP SHUTTER
FLORIDA BUILDING CODE SEVENTH ED (2020)
PRODUCT APPROVAL #FL 39156.1

REMARKS	DRWN	CHKD	DATE
INIT ISSUE	RWN	RWN	6/11/2021
REV - ADDL OPTIONS	RWN	RWN	8/15/2021
REV - ADDL OPTIONS	RWN	RWN	10/14/2021

COPYRIGHT ENGINEERING EXPRESS®

20-32431

SCALE: NTS UNLESS NOTED

13 OF 30

C:\Users\rickn\Engineering Express\Production - Documents\Projects\20-32431 QMI QOM 3-AL8 Family Drawing\WP2020 FBC\20-32431h_QOM3 - AL8.dwg 10/18/2021 - 12:09pm rickn

SLAT SPAN	DESIGN PRESSURE	Rx	Ry	1/4" HILT KH-EZ	1/4" ALL-POINTS SOLID-SET	1/4" DEWALT ULTRACON+	1/4" DEWALT ULTRACON+ SS4	1/4" DEWALT POWER-BOLT	1/4" DEWALT SCREW BOLT+	1/4" DEWALT AGGREGATOR	1/4" DEWALT AGGREGATOR	1/4" DEWALT ULTRACON+	1/4" ALL-POINTS SOLID-SET	1/4" DEWALT ULTRACON+	1/4" DEWALT AGGREGATOR	1/4" DEWALT AGGREGATOR	#14 WOOD SCREW	#14 (410 SS) DRILL POINT SCREW OR 1/4-20 (410 SS) THRU-BOLT†	#14 (410 SS) DRILL POINT SCREW OR 1/4-20 (410 SS) THRU-BOLT†	
				CONCRETE	CONCRETE	CONCRETE	CONCRETE	CONCRETE	GFB	GFB	GFB	GFB	HOLLOW BLOCK	HOLLOW BLOCK	HOLLOW BLOCK	HOLLOW BLOCK	WOOD	1/8" STEEL	1/8" ALUM.	
				3000 PSI EMBED: 2.50" EDGE= 3.00"	3000 PSI EMBED: 0.88" EDGE= 3.00"	3000 PSI EMBED: 1.75" EDGE= 2.50"	3000 PSI EMBED: 1.75" EDGE= 2.50"	3000 PSI EMBED: 2.50" EDGE= 3.00"	ASTM C90 EMBED: 2.50" EDGE= 3.00"	ASTM C90 EMBED: 2.00" EDGE= 4.00"	ASTM C90 EMBED: 2.00" EDGE= 2.00"	ASTM C90 EMBED: 2.00" EDGE= 2.00"	ASTM C90 EMBED: 1.25" EDGE= 3.00"	ASTM C90 EMBED: 0.875" EDGE= 3.00"	ASTM C90 EMBED: 1.25" EDGE= 2.50"	ASTM C90 EMBED: 1.25" EDGE= 4.00"	ASTM C90 EMBED: 1.25" EDGE= 2.00"	G=0.55 EMBED: 3.00" EDGE= 1.00"	A36 EMBED: 0.50"	6063-T6 EMBED: 0.50"
48"	+/- 100 PSF	0 LB/FT	200 LB/FT	6.0"	6.0"	6.0"	6.0"	6.0"	6.0"	6.0"	6.0"	6.0"	6.0"	6.0"	6.0"	6.0"	6.0"	6.0"	6.0"	
	+/- 110 PSF	0 LB/FT	220 LB/FT	6.0"	6.0"	6.0"	6.0"	6.0"	6.0"	6.0"	6.0"	6.0"	6.0"	6.0"	6.0"	6.0"	6.0"	6.0"	6.0"	
	+/- 120 PSF	0 LB/FT	240 LB/FT	6.0"	6.0"	6.0"	6.0"	6.0"	6.0"	6.0"	6.0"	6.0"	6.0"	6.0"	6.0"	6.0"	6.0"	6.0"	6.0"	
	+/- 130 PSF	0 LB/FT	260 LB/FT	6.0"	6.0"	6.0"	6.0"	6.0"	6.0"	6.0"	6.0"	6.0"	6.0"	6.0"	6.0"	6.0"	6.0"	6.0"	6.0"	
	+/- 140 PSF	0 LB/FT	280 LB/FT	6.0"	6.0"	6.0"	6.0"	6.0"	6.0"	6.0"	6.0"	6.0"	6.0"	6.0"	6.0"	6.0"	6.0"	6.0"	6.0"	
	+/- 150 PSF	0 LB/FT	300 LB/FT	6.0"	6.0"	6.0"	6.0"	6.0"	6.0"	6.0"	6.0"	6.0"	6.0"	6.0"	6.0"	6.0"	6.0"	6.0"	6.0"	6.0"
	+/- 160 PSF	0 LB/FT	320 LB/FT	6.0"	6.0"	6.0"	6.0"	6.0"	6.0"	6.0"	6.0"	6.0"	6.0"	6.0"	6.0"	6.0"	6.0"	6.0"	6.0"	6.0"
	+/- 170 PSF	0 LB/FT	340 LB/FT	6.0"	6.0"	6.0"	6.0"	6.0"	6.0"	6.0"	6.0"	6.0"	6.0"	6.0"	6.0"	6.0"	6.0"	6.0"	6.0"	6.0"
	+/- 180 PSF	0 LB/FT	360 LB/FT	6.0"	6.0"	6.0"	6.0"	6.0"	6.0"	6.0"	6.0"	6.0"	6.0"	6.0"	6.0"	6.0"	6.0"	6.0"	6.0"	6.0"
	+/- 190 PSF	0 LB/FT	380 LB/FT	6.0"	6.0"	6.0"	6.0"	6.0"	6.0"	6.0"	6.0"	6.0"	6.0"	6.0"	6.0"	6.0"	6.0"	6.0"	6.0"	6.0"
+/- 200 PSF	0 LB/FT	400 LB/FT	6.0"	6.0"	6.0"	6.0"	6.0"	6.0"	6.0"	6.0"	6.0"	6.0"	6.0"	6.0"	6.0"	6.0"	6.0"	6.0"	6.0"	
+/- 210 PSF	0 LB/FT	420 LB/FT	6.0"	6.0"	6.0"	6.0"	6.0"	6.0"	6.0"	6.0"	6.0"	6.0"	6.0"	6.0"	6.0"	6.0"	6.0"	6.0"	6.0"	
60"	+/- 80 PSF	0 LB/FT	200 LB/FT	6.0"	6.0"	6.0"	6.0"	6.0"	6.0"	6.0"	6.0"	6.0"	6.0"	6.0"	6.0"	6.0"	6.0"	6.0"	6.0"	6.0"
	+/- 90 PSF	0 LB/FT	225 LB/FT	6.0"	6.0"	6.0"	6.0"	6.0"	6.0"	6.0"	6.0"	6.0"	6.0"	6.0"	6.0"	6.0"	6.0"	6.0"	6.0"	6.0"
	+/- 100 PSF	0 LB/FT	250 LB/FT	6.0"	6.0"	6.0"	6.0"	6.0"	6.0"	6.0"	6.0"	6.0"	6.0"	6.0"	6.0"	6.0"	6.0"	6.0"	6.0"	6.0"
	+/- 110 PSF	9 LB/FT	275 LB/FT	6.0"	6.0"	6.0"	6.0"	6.0"	6.0"	6.0"	6.0"	6.0"	6.0"	6.0"	6.0"	6.0"	6.0"	6.0"	6.0"	6.0"
	+/- 120 PSF	87 LB/FT	300 LB/FT	6.0"	6.0"	6.0"	6.0"	6.0"	6.0"	6.0"	6.0"	6.0"	6.0"	6.0"	6.0"	6.0"	6.0"	6.0"	6.0"	6.0"
	+/- 130 PSF	165 LB/FT	325 LB/FT	6.0"	6.0"	6.0"	6.0"	6.0"	6.0"	6.0"	6.0"	6.0"	6.0"	6.0"	6.0"	6.0"	6.0"	6.0"	6.0"	6.0"
	+/- 140 PSF	244 LB/FT	350 LB/FT	6.0"	6.0"	6.0"	6.0"	6.0"	6.0"	6.0"	6.0"	6.0"	6.0"	6.0"	6.0"	6.0"	6.0"	6.0"	6.0"	6.0"
	+/- 150 PSF	322 LB/FT	375 LB/FT	6.0"	6.0"	6.0"	6.0"	6.0"	6.0"	6.0"	6.0"	6.0"	6.0"	6.0"	6.0"	6.0"	6.0"	6.0"	6.0"	6.0"
	+/- 160 PSF	400 LB/FT	400 LB/FT	6.0"	6.0"	6.0"	6.0"	6.0"	6.0"	6.0"	6.0"	6.0"	6.0"	6.0"	6.0"	6.0"	6.0"	6.0"	6.0"	6.0"
	+/- 170 PSF	479 LB/FT	425 LB/FT	6.0"	6.0"	6.0"	6.0"	6.0"	6.0"	6.0"	6.0"	6.0"	6.0"	6.0"	6.0"	6.0"	6.0"	6.0"	6.0"	6.0"
72"	+/- 60 PSF	25 LB/FT	180 LB/FT	6.0"	6.0"	6.0"	6.0"	6.0"	6.0"	6.0"	6.0"	6.0"	6.0"	6.0"	6.0"	6.0"	6.0"	6.0"	6.0"	6.0"
	+/- 70 PSF	128 LB/FT	210 LB/FT	6.0"	6.0"	6.0"	6.0"	6.0"	6.0"	6.0"	6.0"	6.0"	6.0"	6.0"	6.0"	6.0"	6.0"	6.0"	6.0"	6.0"
	+/- 80 PSF	232 LB/FT	240 LB/FT	6.0"	6.0"	6.0"	6.0"	6.0"	6.0"	6.0"	6.0"	6.0"	6.0"	6.0"	6.0"	6.0"	6.0"	6.0"	6.0"	6.0"
	+/- 90 PSF	335 LB/FT	270 LB/FT	6.0"	6.0"	6.0"	6.0"	6.0"	6.0"	6.0"	6.0"	6.0"	6.0"	6.0"	6.0"	6.0"	6.0"	6.0"	6.0"	6.0"
	+/- 100 PSF	438 LB/FT	300 LB/FT	6.0"	6.0"	6.0"	6.0"	6.0"	6.0"	6.0"	6.0"	6.0"	6.0"	6.0"	6.0"	6.0"	6.0"	6.0"	6.0"	6.0"
	+/- 110 PSF	542 LB/FT	330 LB/FT	6.0"	6.0"	6.0"	6.0"	6.0"	6.0"	6.0"	6.0"	6.0"	6.0"	6.0"	6.0"	6.0"	6.0"	6.0"	6.0"	6.0"
	+/- 120 PSF	645 LB/FT	360 LB/FT	6.0"	6.0"	6.0"	6.0"	6.0"	6.0"	6.0"	6.0"	6.0"	6.0"	6.0"	6.0"	6.0"	6.0"	6.0"	6.0"	6.0"
	+/- 130 PSF	749 LB/FT	390 LB/FT	6.0"	6.0"	6.0"	6.0"	6.0"	6.0"	6.0"	6.0"	6.0"	6.0"	6.0"	6.0"	6.0"	6.0"	6.0"	6.0"	6.0"
	+/- 140 PSF	852 LB/FT	420 LB/FT	6.0"	6.0"	6.0"	6.0"	6.0"	6.0"	6.0"	6.0"	6.0"	6.0"	6.0"	6.0"	6.0"	6.0"	6.0"	6.0"	6.0"
	+/- 150 PSF	955 LB/FT	450 LB/FT	6.0"	6.0"	6.0"	6.0"	6.0"	6.0"	6.0"	6.0"	6.0"	6.0"	6.0"	6.0"	6.0"	6.0"	6.0"	6.0"	6.0"
84"	+/- 40 PSF	83 LB/FT	140 LB/FT	6.0"	6.0"	6.0"	6.0"	6.0"	6.0"	6.0"	6.0"	6.0"	6.0"	6.0"	6.0"	6.0"	6.0"	6.0"	6.0"	6.0"
	+/- 50 PSF	214 LB/FT	175 LB/FT	6.0"	6.0"	6.0"	6.0"	6.0"	6.0"	6.0"	6.0"	6.0"	6.0"	6.0"	6.0"	6.0"	6.0"	6.0"	6.0"	6.0"
	+/- 60 PSF	345 LB/FT	210 LB/FT	6.0"	6.0"	6.0"	6.0"	6.0"	6.0"	6.0"	6.0"	6.0"	6.0"	6.0"	6.0"	6.0"	6.0"	6.0"	6.0"	6.0"
	+/- 70 PSF	475 LB/FT	245 LB/FT	6.0"	6.0"	6.0"	6.0"	6.0"	6.0"	6.0"	6.0"	6.0"	6.0"	6.0"	6.0"	6.0"	6.0"	6.0"	6.0"	6.0"
	+/- 80 PSF	606 LB/FT	280 LB/FT	6.0"	6.0"	6.0"	6.0"	6.0"	6.0"	6.0"	6.0"	6.0"	6.0"	6.0"	6.0"	6.0"	6.0"	6.0"	6.0"	6.0"
	+/- 90 PSF	737 LB/FT	315 LB/FT	6.0"	6.0"	6.0"	6.0"	6.0"	6.0"	6.0"	6.0"	6.0"	6.0"	6.0"	6.0"	6.0"	6.0"	6.0"	6.0"	6.0"
	+/- 100 PSF	867 LB/FT	350 LB/FT	6.0"	6.0"	6.0"	6.0"	6.0"	6.0"	6.0"	6.0"	6.0"	6.0"	6.0"	6.0"	6.0"	6.0"	6.0"	6.0"	6.0"
	+/- 110 PSF	998 LB/FT	385 LB/FT	6.0"	6.0"	6.0"	6.0"	6.0"	6.0"	6.0"	6.0"	6.0"	6.0"	6.0"	6.0"	6.0"	6.0"	6.0"	6.0"	6.0"
	+/- 120 PSF	1129 LB/FT	420 LB/FT	6.0"	6.0"	6.0"	6.0"	6.0"	6.0"	6.0"	6.0"	6.0"	6.0"	6.0"	6.0"	6.0"	6.0"	6.0"	6.0"	6.0"
	+/- 130 PSF	1260 LB/FT	455 LB/FT	6.0"	6.0"	6.0"	6.0"	6.0"	6.0"	6.0"	6.0"	6.0"	6.0"	6.0"	6.0"	6.0"	6.0"	6.0"	6.0"	6.0"
96"	+/- 30 PSF	143 LB/FT	120 LB/FT	6.0"	6.0"	6.0"	6.0"	6.0"	6.0"	6.0"	6.0"	6.0"	6.0"	6.0"	6.0"	6.0"	6.0"	6.0"	6.0"	6.0"
	+/- 40 PSF	303 LB/FT	160 LB/FT	6.0"	6.0"	6.0"	6.0"	6.0"	6.0"	6.0"	6.0"	6.0"	6.0"	6.0"	6.0"	6.0"	6.0"	6.0"	6.0"	6.0"
	+/- 50 PSF	463 LB/FT	200 LB/FT	6.0"	6.0"	6.0"	6.0"	6.0"	6.0"	6.0"	6.0"	6.0"	6.0"	6.0"	6.0"	6.0"	6.0"	6.0"	6.0"	6.0"
	+/- 60 PSF	623 LB/FT	240 LB/FT	6.0"	6.0"	6.0"	6.0"	6.0"	6.0"	6.0"	6.0"	6.0"	6.0"	6.0"	6.0"	6.0"	6.0"	6.0"	6.0"	6.0"
	+/- 70 PSF	783 LB/FT	280 LB/FT	6.0"	6.0"	6.0"	6.0"	6.0"	6.0"	6.0"	6.0"	6.0"	6.0"	6.0"	6.0"	6.0"	6.0"	6.0"	6.0"	6.0"
	+/- 80 PSF	943 LB/FT	320 LB/FT	6.0"	6.0"	6.0"	6.0"	6.0"	6.0"	6.0"	6.0"	6.0"	6.0"	6.0"	6.0"	6.0"	6.0"	6.0"	6.0"	6.0"
	+/- 90 PSF	1103 LB/FT	360 LB/FT	6.0"	6.0"	6.0"	6.0"	6.0"	6.0"	6.0"	6.0"	6.0"	6.0"	6.0"	6.0"	6.0"	6.0"	6.0"	6.0"	6.0"
	+/- 100 PSF	1263 LB/FT	400 LB/FT	6.0"	6.0"	6.0"	6.0"	6.0"	6.0"	6.0"	6.0"	6.0"	6.0"	6.0"	6.0"	6.0"	6.0"	6.0"	6.0"	6.0"
	+/- 110 PSF	1423 LB/FT	440 LB/FT	6.0"	6.0"	6.0"	6.0"	6.0"	6.0"	6.0"	6.0"	6.0"	6.0"	6.0"	6.0"	6.0"	6.0"	6.0"	6.0"	6.0"
	+/- 120 PSF	1583 LB/FT	480 LB/FT	6.0"	6.0"	6.0"	6.0"	6.0"	6.0"	6.0"	6.0"	6.0"	6.0"	6.0"	6.0"	6.0"	6.0"	6.0"	6.0"	6.0"
108"	+/- 30 PSF																			

ANCHOR SCHEDULE: BUILD-OUT MOUNT, SPANS 156"-236", 1/4"Ø FASTENERS

RICHARD NEET, P.E.
PE# 86488 CA# 9865



POSTAL ADDRESS:
401 W. ATLANTIC AVE R10 #219
DELRAY BEACH, FL 33444
ENGINEERINGEXPRESS.COM

QMI SECURITY SOLUTIONS

1661 GLENLAKE AVE.
ITASCA, IL 60143
PHONE: (866) 980-1750

QOM3 - AL8 ROLL-UP SHUTTER
FLORIDA BUILDING CODE SEVENTH ED (2020)
PRODUCT APPROVAL #FL 39156.1

REMARKS	DRWN	CHKD	DATE
INIT ISSUE	CSL	IRWN	6/11/2021
REV - ADDL OPTIONS	RWN	IRWN	8/15/2021
REV - ADDL OPTIONS	RWN	IRWN	10/14/2021

COPYRIGHT ENGINEERING EXPRESS®

20-32431

SCALE: NTS UNLESS NOTED

14 OF 30

C:\Users\rickn\Engineering Express\Production - Documents\Projects\20-32431 QMI QOM 3-AL8 Family Drawing\WP2020\FBC\20-32431h_QOM3 - AL8.dwg 10/18/2021 - 12:09pm rickn

SLAT SPAN	DESIGN PRESSURE	Rx	Ry	1/4" HILTI KH-EZ	1/4" ALL-POINTS SOLID-SET	1/4" DEWALT ULTRACON+	1/4" SS ITW TAPCON	1/4" DEWALT ULTRACON+ SS4	1/4" DEWALT POWER-BOLT	1/4" DEWALT SCREW BOLT+	1/4" DEWALT AGGREGATOR	1/4" DEWALT AGGREGATOR	1/4" DEWALT ULTRACON+	1/4" ALL-POINTS SOLID-SET	1/4" DEWALT AGGREGATOR	1/4" DEWALT AGGREGATOR	#14 WOOD SCREW	#14 (410 SS) DRILL POINT SCREW OR 1/4-20 (410 SS) THRU-BOLT	#14 (410 SS) DRILL POINT SCREW OR 1/4-20 (410 SS) THRU-BOLT		
				CONCRETE	CONCRETE	CONCRETE	CONCRETE	CONCRETE	CONCRETE	GFB	GFB	GFB	GFB OR HOLLOW BLOCK	HOLLOW BLOCK	HOLLOW BLOCK	HOLLOW BLOCK	WOOD	STEEL	ALUM.		
				3000 PSI	3000 PSI	3000 PSI	3192 PSI	3000	3000 PSI	ASTM C90	ASTM C90	ASTM C90	ASTM C90	ASTM C90	ASTM C90	ASTM C90	ASTM C90	ASTM C90	G=0.55	A36	6063-T6
				EMBED: 2.50"	EMBED: 0.88"	EMBED: 1.75"	EMBED: 1.75"	EMBED: 1.75"	EMBED: 2.50"	EMBED: 2.50"	EMBED: 2.00"	EMBED: 2.00"	EMBED: 2.00"	EMBED: 1.25"	EMBED: 0.88"	EMBED: 1.25"	EMBED: 1.25"	EMBED: 3.00"	-	-	
156"	+/- 20 PSF	538 LB/FT	130 LB/FT	6.0"	6.0"	6.0"	6.0"	6.0"	6.0"	6.0"	6.0"	6.0"	3.9"	5.1"	3.2"	3.1"	6.0"	6.0"	6.0"		
	+/- 30 PSF	871 LB/FT	195 LB/FT	6.0"	5.6"	4.6"	4.7"	5.3"		4.4"	4.6"	4.2"		3.2"			4.1"	5.6"	4.7"		
	+/- 40 PSF	1205 LB/FT	260 LB/FT	4.7"	4.1"	3.4"	3.4"	3.8"		3.2"	3.3"	3.1"					3.0"	4.1"	3.5"		
	+/- 50 PSF	1538 LB/FT	325 LB/FT	3.4"	3.2"	2.7"		3.0"		2.5"	2.6"						2.4"	3.2"			
168"	+/- 20 PSF	635 LB/FT	140 LB/FT	6.0"	6.0"	6.0"	6.0"	6.0"	6.0"	6.0"	6.0"	5.9"	3.4"	4.4"			5.7"	6.0"	6.0"		
	+/- 30 PSF	1007 LB/FT	210 LB/FT	5.6"	5.0"	4.1"	4.1"	4.7"		3.8"	4.0"	3.8"					3.6"	4.9"	4.2"		
	+/- 40 PSF	1380 LB/FT	280 LB/FT	4.1"	3.7"	3.0"	3.0"	3.4"		2.8"	3.0"						2.7"	3.6"	3.1"		
	+/- 46 PSF	1604 LB/FT	322 LB/FT	3.3"	3.2"	2.6"				2.4"	2.6"						2.3"	3.1"			
180"	+/- 10 PSF	317 LB/FT	75 LB/FT	6.0"	6.0"	6.0"	6.0"	6.0"	6.0"	6.0"	6.0"	6.0"	6.0"	6.0"	5.4"	5.3"	6.0"	6.0"	6.0"		
	+/- 20 PSF	731 LB/FT	150 LB/FT	6.0"	6.0"	5.6"	5.7"	6.0"	6.0"	5.3"	5.6"	5.2"	3.1"	3.9"			5.0"	6.0"	5.8"		
	+/- 30 PSF	1144 LB/FT	225 LB/FT	5.0"	4.4"	3.6"	3.7"	4.2"		3.4"	3.6"	3.4"					3.2"	4.4"	3.8"		
	+/- 40 PSF	1558 LB/FT	300 LB/FT	3.4"	3.3"	2.7"		3.1"		2.5"	2.7"						2.4"	3.3"			
192"	+/- 10 PSF	371 LB/FT	80 LB/FT	6.0"	6.0"	6.0"	6.0"	6.0"	6.0"	6.0"	6.0"	6.0"	5.9"	6.0"	4.8"	4.6"	6.0"	6.0"	6.0"		
	+/- 20 PSF	827 LB/FT	160 LB/FT	6.0"	6.0"	5.0"	5.1"	5.8"	5.5"	4.8"	5.0"	4.7"		3.5"			4.5"	6.0"	5.3"		
	+/- 30 PSF	1283 LB/FT	240 LB/FT	4.5"	4.0"	3.3"	3.3"	3.8"		3.1"	3.3"	3.1"					2.9"	4.0"	3.4"		
	+/- 40 PSF	1739 LB/FT	320 LB/FT	3.1"		2.4"				2.3"	2.4"						2.2"				
204"	+/- 10 PSF	424 LB/FT	85 LB/FT	6.0"	6.0"	6.0"	6.0"	6.0"	6.0"	6.0"	6.0"	6.0"	5.3"	6.0"	4.3"	4.1"	6.0"	6.0"	6.0"		
	+/- 20 PSF	924 LB/FT	170 LB/FT	6.0"	5.6"	4.5"	4.6"	5.3"		4.3"	4.6"	4.3"		3.2"			4.1"	5.6"	4.8"		
	+/- 30 PSF	1423 LB/FT	255 LB/FT	4.1"	3.7"	3.0"	3.0"	3.5"		2.8"	3.0"						2.7"	3.6"	3.1"		
	+/- 38 PSF	1823 LB/FT	323 LB/FT			2.3"				2.2"	2.3"						2.1"				
216"	+/- 10 PSF	477 LB/FT	90 LB/FT	6.0"	6.0"	6.0"	6.0"	6.0"	6.0"	6.0"	6.0"	6.0"	4.8"	6.0"	3.9"	3.7"	6.0"	6.0"	6.0"		
	+/- 20 PSF	1022 LB/FT	180 LB/FT	5.7"	5.1"	4.1"	4.2"	4.8"		3.9"	4.2"	3.9"					3.7"	5.1"	4.4"		
	+/- 30 PSF	1566 LB/FT	270 LB/FT	3.5"	3.4"	2.7"		3.2"		2.6"	2.7"						2.4"	3.3"			
	+/- 36 PSF	1893 LB/FT	324 LB/FT			2.2"				2.1"	2.3"						2.0"				
228"	+/- 10 PSF	530 LB/FT	95 LB/FT	6.0"	6.0"	6.0"	6.0"	6.0"	6.0"	6.0"	6.0"	6.0"	4.4"	5.6"	3.5"	3.4"	6.0"	6.0"	6.0"		
	+/- 20 PSF	1121 LB/FT	190 LB/FT	5.2"	4.7"	3.8"	3.9"	4.5"		3.6"	3.8"	3.6"					3.4"	4.7"	4.1"		
	+/- 30 PSF	1712 LB/FT	285 LB/FT	3.2"	3.1"	2.5"				2.4"	2.5"						2.2"	3.1"			
	+/- 34 PSF	1948 LB/FT	323 LB/FT			2.2"				2.1"	2.2"						2.0"				
236"	+/- 10 PSF	566 LB/FT	98 LB/FT	6.0"	6.0"	6.0"	6.0"	6.0"	6.0"	6.0"	6.0"	6.0"	4.2"	5.2"	3.3"	3.2"	6.0"	6.0"	6.0"		
	+/- 20 PSF	1188 LB/FT	197 LB/FT	5.0"	4.5"	3.6"	3.7"	4.2"		3.4"	3.6"	3.4"					3.2"	4.4"	3.9"		
	+/- 30 PSF	1810 LB/FT	295 LB/FT	3.0"		2.4"				2.2"	2.4"						2.1"				
	+/- 33 PSF	1997 LB/FT	325 LB/FT			2.1"				2.0"	2.2"						1.9"				

SEE PAGE 22 FOR ANCHOR SCHEDULE NOTES

ANCHOR SCHEDULE: BUILD-OUT MOUNT, SPANS 48"-96", ≥5/16"Ø FASTENERS

RICHARD NEET, P.E.
PE# 86488 CA# 9865



ENGINEERING EXPRESS
 POSTAL ADDRESS:
 401 W. ATLANTIC AVE R10 #219
 DELRAY BEACH, FL 33444
 ENGINEERINGEXPRESS.COM

QMI SECURITY SOLUTIONS
 1661 GLENLAKE AVE.
 ITASCA, IL 60143
 PHONE: (866) 980-1750
 QOM3 - AL8 ROLL-UP SHUTTER
 FLORIDA BUILDING CODE SEVENTH ED (2020)
 PRODUCT APPROVAL #FL 39156.1

REMARKS	DRWN	CHKD	DATE
INIT ISSUE	C-SL	RWN	6/11/2021
REV - ADDL OPTIONS	RWN	RWN	8/15/2021
REV - ADDL OPTIONS	RWN	RWN	10/14/2021

COPYRIGHT ENGINEERING EXPRESS®
20-32431
 SCALE: NTS UNLESS NOTED

C:\Users\rickn\Engineering\Express\Production - Documents\Projects\20-32431 QMI QOM 3-AL8 Family Drawing\WP2020 FBC\20-32431h QOM3 - AL8.dwg 10/18/2021 - 12:09pm rickn

SLAT SPAN	DESIGN PRESSURE	Rx	Ry	3/8" ELCO / DEWALT CONFLX	3/8" DEWALT SCREW BOLT+	3/8" ELCO / DEWALT CONFLX	3/8" DEWALT SCREW BOLT+	3/8" HILTI KH-EZ	3/8" HILTI KH-EZ	5/16" DEWALT ULTRACON	3/8" DEWALT SCREW BOLT+	5/16" ITW TAPCON XL	5/16" ITW TAPCON XL	3/8" ELCO TAPFLEX	5/16" ELCO DRIL-FLEX	5/16" (410 SS) DRILL POINT SCREW	5/16" (410 SS) DRILL POINT SCREW	#20 (0.32") WOOD SCREW	
				CONCRETE	CONCRETE	CONCRETE	CONCRETE	CONCRETE	CONCRETE	GFB	GFB	HOLLOW BLOCK	1/4" ALUM. OR STEEL	1/4" STEEL	1/4" STEEL	1/4" ALUM.	WOOD		
				4510 PSI	3000 PSI	1819 PSI	3000 PSI	3000 PSI	3000 PSI	3500 PSI	ASTM C90	ASTM C90	ASTM C90	6061-T6 OR A36	A36	A36	6063-T6	G=0.55	
				EMBED: 3.50" EDGE= 3.75"	EMBED: 3.25" EDGE= 5.00"	EMBED: 3.50" EDGE= 3.75"	EMBED: 3.25" EDGE= 4.00"	EMBED: 3.25" EDGE= 5.00"	EMBED: 3.25" EDGE= 4.00"	EMBED: 2.00" EDGE= 3.13"	EMBED: 3.25" EDGE= 5.00"	EMBED: 2.25" EDGE= 4.00"	EMBED: 1.75" EDGE= 4.00"	EMBED: 1.75" EDGE= 4.00"	EMBED: 1.75" EDGE= 4.00"	EMBED: 1.75" EDGE= 4.00"	EMBED: 1.75" EDGE= 4.00"	EMBED: 1.75" EDGE= 4.00"	EMBED: 4.00" EDGE= 1.50"
48"	+/- 160 PSF	0 LB/FT	320 LB/FT	6.0"	6.0"	6.0"	6.0"	6.0"	6.0"	6.0"	6.0"	6.0"	6.0"	6.0"	6.0"	6.0"	6.0"	6.0"	
	+/- 170 PSF	0 LB/FT	340 LB/FT	6.0"	6.0"	6.0"	6.0"	6.0"	6.0"	6.0"	6.0"	6.0"	6.0"	6.0"	6.0"	6.0"	6.0"	6.0"	
	+/- 180 PSF	0 LB/FT	360 LB/FT	6.0"	6.0"	6.0"	6.0"	6.0"	6.0"	6.0"	6.0"	6.0"	6.0"	6.0"	6.0"	6.0"	6.0"	6.0"	
	+/- 190 PSF	0 LB/FT	380 LB/FT	6.0"	6.0"	6.0"	6.0"	6.0"	6.0"	6.0"	6.0"	6.0"	6.0"	6.0"	6.0"	6.0"	6.0"	6.0"	
	+/- 200 PSF	0 LB/FT	400 LB/FT	6.0"	6.0"	6.0"	6.0"	6.0"	6.0"	6.0"	6.0"	6.0"	6.0"	6.0"	6.0"	6.0"	6.0"	6.0"	
	+/- 210 PSF	0 LB/FT	420 LB/FT	6.0"	6.0"	6.0"	6.0"	6.0"	6.0"	6.0"	6.0"	6.0"	6.0"	6.0"	6.0"	6.0"	6.0"	6.0"	6.0"
	+/- 220 PSF	0 LB/FT	440 LB/FT	6.0"	6.0"	6.0"	6.0"	6.0"	6.0"	6.0"	6.0"	6.0"	6.0"	6.0"	6.0"	6.0"	6.0"	6.0"	
	+/- 230 PSF	0 LB/FT	460 LB/FT	6.0"	6.0"	6.0"	6.0"	6.0"	6.0"	6.0"	6.0"	6.0"	6.0"	6.0"	6.0"	6.0"	6.0"	6.0"	
	+/- 240 PSF	15 LB/FT	480 LB/FT	6.0"	6.0"	6.0"	6.0"	6.0"	6.0"	6.0"	6.0"	6.0"	6.0"	6.0"	6.0"	6.0"	6.0"	6.0"	
	+/- 246.7 PSF	53 LB/FT	493 LB/FT	6.0"	6.0"	6.0"	6.0"	6.0"	6.0"	6.0"	6.0"	6.0"	6.0"	6.0"	6.0"	6.0"	6.0"	6.0"	
60"	+/- 110 PSF	9 LB/FT	275 LB/FT	6.0"	6.0"	6.0"	6.0"	6.0"	6.0"	6.0"	6.0"	6.0"	6.0"	6.0"	6.0"	6.0"	6.0"	6.0"	
	+/- 120 PSF	87 LB/FT	300 LB/FT	6.0"	6.0"	6.0"	6.0"	6.0"	6.0"	6.0"	6.0"	6.0"	6.0"	6.0"	6.0"	6.0"	6.0"	6.0"	
	+/- 130 PSF	165 LB/FT	325 LB/FT	6.0"	6.0"	6.0"	6.0"	6.0"	6.0"	6.0"	6.0"	6.0"	6.0"	6.0"	6.0"	6.0"	6.0"	6.0"	
	+/- 140 PSF	244 LB/FT	350 LB/FT	6.0"	6.0"	6.0"	6.0"	6.0"	6.0"	6.0"	6.0"	6.0"	6.0"	6.0"	6.0"	6.0"	6.0"	6.0"	
	+/- 150 PSF	322 LB/FT	375 LB/FT	6.0"	6.0"	6.0"	6.0"	6.0"	6.0"	6.0"	6.0"	6.0"	6.0"	6.0"	6.0"	6.0"	6.0"	6.0"	
	+/- 160 PSF	400 LB/FT	400 LB/FT	6.0"	6.0"	6.0"	6.0"	6.0"	6.0"	6.0"	6.0"	6.0"	6.0"	6.0"	6.0"	6.0"	6.0"	6.0"	
	+/- 170 PSF	479 LB/FT	425 LB/FT	6.0"	6.0"	6.0"	6.0"	6.0"	6.0"	6.0"	6.0"	6.0"	6.0"	6.0"	6.0"	6.0"	6.0"	6.0"	
	+/- 180 PSF	557 LB/FT	450 LB/FT	6.0"	6.0"	6.0"	6.0"	6.0"	6.0"	6.0"	6.0"	6.0"	6.0"	6.0"	6.0"	6.0"	6.0"	6.0"	
	+/- 190 PSF	635 LB/FT	475 LB/FT	6.0"	6.0"	6.0"	6.0"	6.0"	6.0"	6.0"	6.0"	6.0"	6.0"	6.0"	6.0"	6.0"	6.0"	6.0"	
	+/- 200 PSF	714 LB/FT	500 LB/FT	6.0"	6.0"	6.0"	6.0"	6.0"	6.0"	6.0"	6.0"	6.0"	6.0"	6.0"	6.0"	6.0"	6.0"	6.0"	
72"	+/- 80 PSF	232 LB/FT	240 LB/FT	6.0"	6.0"	6.0"	6.0"	6.0"	6.0"	6.0"	6.0"	6.0"	6.0"	6.0"	6.0"	6.0"	6.0"	6.0"	
	+/- 90 PSF	335 LB/FT	270 LB/FT	6.0"	6.0"	6.0"	6.0"	6.0"	6.0"	6.0"	6.0"	6.0"	6.0"	6.0"	6.0"	6.0"	6.0"	6.0"	
	+/- 100 PSF	438 LB/FT	300 LB/FT	6.0"	6.0"	6.0"	6.0"	6.0"	6.0"	6.0"	6.0"	6.0"	6.0"	6.0"	6.0"	6.0"	6.0"	6.0"	
	+/- 110 PSF	542 LB/FT	330 LB/FT	6.0"	6.0"	6.0"	6.0"	6.0"	6.0"	6.0"	6.0"	6.0"	6.0"	6.0"	6.0"	6.0"	6.0"	6.0"	
	+/- 120 PSF	645 LB/FT	360 LB/FT	6.0"	6.0"	6.0"	6.0"	6.0"	6.0"	6.0"	6.0"	6.0"	6.0"	6.0"	6.0"	6.0"	6.0"	6.0"	
	+/- 130 PSF	749 LB/FT	390 LB/FT	6.0"	6.0"	6.0"	6.0"	6.0"	6.0"	6.0"	6.0"	6.0"	6.0"	6.0"	6.0"	6.0"	6.0"	6.0"	
	+/- 140 PSF	852 LB/FT	420 LB/FT	6.0"	6.0"	6.0"	6.0"	6.0"	6.0"	6.0"	6.0"	6.0"	6.0"	6.0"	6.0"	6.0"	6.0"	6.0"	
	+/- 150 PSF	955 LB/FT	450 LB/FT	6.0"	6.0"	6.0"	6.0"	6.0"	6.0"	6.0"	6.0"	6.0"	6.0"	6.0"	6.0"	6.0"	6.0"	6.0"	
	+/- 160 PSF	1059 LB/FT	480 LB/FT	6.0"	6.0"	6.0"	6.0"	6.0"	6.0"	6.0"	6.0"	6.0"	6.0"	6.0"	6.0"	6.0"	6.0"	6.0"	
	+/- 170 PSF	1162 LB/FT	510 LB/FT	6.0"	6.0"	6.0"	6.0"	6.0"	6.0"	6.0"	6.0"	6.0"	6.0"	6.0"	6.0"	6.0"	6.0"	6.0"	
84"	+/- 60 PSF	345 LB/FT	210 LB/FT	6.0"	6.0"	6.0"	6.0"	6.0"	6.0"	6.0"	6.0"	6.0"	6.0"	6.0"	6.0"	6.0"	6.0"	6.0"	
	+/- 70 PSF	475 LB/FT	245 LB/FT	6.0"	6.0"	6.0"	6.0"	6.0"	6.0"	6.0"	6.0"	6.0"	6.0"	6.0"	6.0"	6.0"	6.0"	6.0"	
	+/- 80 PSF	606 LB/FT	280 LB/FT	6.0"	6.0"	6.0"	6.0"	6.0"	6.0"	6.0"	6.0"	6.0"	6.0"	6.0"	6.0"	6.0"	6.0"	6.0"	
	+/- 90 PSF	737 LB/FT	315 LB/FT	6.0"	6.0"	6.0"	6.0"	6.0"	6.0"	6.0"	6.0"	6.0"	6.0"	6.0"	6.0"	6.0"	6.0"	6.0"	
	+/- 100 PSF	867 LB/FT	350 LB/FT	6.0"	6.0"	6.0"	6.0"	6.0"	6.0"	6.0"	6.0"	6.0"	6.0"	6.0"	6.0"	6.0"	6.0"	6.0"	
	+/- 110 PSF	998 LB/FT	385 LB/FT	6.0"	6.0"	6.0"	6.0"	6.0"	6.0"	6.0"	6.0"	6.0"	6.0"	6.0"	6.0"	6.0"	6.0"	6.0"	
	+/- 120 PSF	1129 LB/FT	420 LB/FT	6.0"	6.0"	6.0"	6.0"	6.0"	6.0"	6.0"	6.0"	6.0"	6.0"	6.0"	6.0"	6.0"	6.0"	6.0"	
	+/- 130 PSF	1259 LB/FT	455 LB/FT	6.0"	6.0"	6.0"	6.0"	6.0"	6.0"	6.0"	6.0"	6.0"	6.0"	6.0"	6.0"	6.0"	6.0"	6.0"	
	+/- 140 PSF	1390 LB/FT	490 LB/FT	6.0"	6.0"	6.0"	6.0"	6.0"	6.0"	6.0"	6.0"	6.0"	6.0"	6.0"	6.0"	6.0"	6.0"	6.0"	
	+/- 150 PSF	1521 LB/FT	525 LB/FT	6.0"	6.0"	6.0"	6.0"	6.0"	6.0"	6.0"	6.0"	6.0"	6.0"	6.0"	6.0"	6.0"	6.0"	6.0"	
96"	+/- 40 PSF	303 LB/FT	160 LB/FT	6.0"	6.0"	6.0"	6.0"	6.0"	6.0"	6.0"	6.0"	6.0"	6.0"	6.0"	6.0"	6.0"	6.0"	6.0"	
	+/- 50 PSF	463 LB/FT	200 LB/FT	6.0"	6.0"	6.0"	6.0"	6.0"	6.0"	6.0"	6.0"	6.0"	6.0"	6.0"	6.0"	6.0"	6.0"	6.0"	
	+/- 60 PSF	623 LB/FT	240 LB/FT	6.0"	6.0"	6.0"	6.0"	6.0"	6.0"	6.0"	6.0"	6.0"	6.0"	6.0"	6.0"	6.0"	6.0"	6.0"	
	+/- 70 PSF	783 LB/FT	280 LB/FT	6.0"	6.0"	6.0"	6.0"	6.0"	6.0"	6.0"	6.0"	6.0"	6.0"	6.0"	6.0"	6.0"	6.0"	6.0"	
	+/- 80 PSF	943 LB/FT	320 LB/FT	6.0"	6.0"	6.0"	6.0"	6.0"	6.0"	6.0"	6.0"	6.0"	6.0"	6.0"	6.0"	6.0"	6.0"	6.0"	
	+/- 90 PSF	1103 LB/FT	360 LB/FT	6.0"	6.0"	6.0"	6.0"	6.0"	6.0"	6.0"	6.0"	6.0"	6.0"	6.0"	6.0"	6.0"	6.0"	6.0"	
	+/- 100 PSF	1263 LB/FT	400 LB/FT	6.0"	6.0"	6.0"	6.0"	6.0"	6.0"	6.0"	6.0"	6.0"	6.0"	6.0"	6.0"	6.0"	6.0"	6.0"	
	+/- 110 PSF	1423 LB/FT	440 LB/FT	6.0"	6.0"	6.0"	6.0"	6.0"	6.0"	6.0"	6.0"	6.0"	6.0"	6.0"	6.0"	6.0"	6.0"	6.0"	
	+/- 120 PSF	1583 LB/FT	480 LB/FT	6.0"	6.0"	6.0"	6.0"	6.0"	6.0"	6.0"	6.0"	6.0"	6.0"	6.0"	6.0"	6.0"	6.0"	6.0"	
	+/- 130 PSF	1743 LB/FT	520 LB/FT	6.0"	6.0"	6.0"	6.0"	6.0"	6.0"	6.0"	6.0"	6.0"	6.0"	6.0"	6.0"	6.0"	6.0"	6.0"	
+/- 140 PSF	1903 LB/FT	560 LB/FT	6.0"	6.0"	6.0"	6.0"	6.0"	6.0"	6.0"	6.0"	6.0"	6.0"	6.0"	6.0"	6.0"	6.0"	6.0"		
+/- 150 PSF	2063 LB/FT	600 LB/FT	6.0"	6.0"	6.0"	6.0"	6.0"	6.0"	6.0"	6.0"	6.0"	6.0"	6.0"	6.0"	6.0"	6.0"	6.0"		
+/- 160 PSF	2223 LB/FT	640 LB/FT	6.0"	6.0"	6.0"	6.0"	6.0"	6.0"	6.0"	6.0"	6.0"	6.0"	6.0"	6.0"	6.0"	6.0"	6.0"		
+/- 171 PSF	2399 LB/FT	684 LB/FT	6.0"	6.0"	6.0"	6.0"	6.0"	6.0"	6.0"	6.0"	6.0"	6.0"	6.0"	6.0"	6.0"	6.0"	6.0"		

SEE PAGE 22 FOR ANCHOR SCHEDULE NOTES

ANCHOR SCHEDULE: BUILD-OUT MOUNT, SPANS 108"-144", ≥5/16"Ø FASTENERS

RICHARD NEET, P.E.
PE# 86488 CA# 9865



ENGINEERING EXPRESS



POSTAL ADDRESS:
401 W. ATLANTIC AVE R10 #219
DELRAY BEACH, FL 33444
ENGINEERINGEXPRESS.COM

QMI SECURITY SOLUTIONS

1661 GLENLAKE AVE.
ITASCA, IL 60143
PHONE: (866) 980-1750

QOM3 - AL8 ROLL-UP SHUTTER
FLORIDA BUILDING CODE SEVENTH ED (2020)
PRODUCT APPROVAL #FL 39156.1

REMARKS	DRWN	CHKD	DATE
INIT ISSUE	CSL	RWN	6/11/2021
REV - ADDL OPTIONS	RWN	RWN	8/15/2021
REV - ADDL OPTIONS	RWN	RWN	10/14/2021

COPYRIGHT ENGINEERING EXPRESS®

20-32431

SCALE: NTS UNLESS NOTED

OF 30
16

C:\Users\rickn\Engineering Express\Production - Documents\Projects\20-32431 QMI QOM 3-AL8 Family Drawing\WP2020 FBC\20-32431h QOM3 - AL8.dwg

10/18/2021 - 12:09pm rickn

SLAT SPAN	DESIGN PRESSURE	Rx	Ry	3/8" ELCO / DEWALT CONFLX	3/8" DEWALT SCREW BOLT+	3/8" ELCO / DEWALT CONFLX	3/8" DEWALT SCREW BOLT+	3/8" HILTI KH-EZ	3/8" HILTI KH-EZ	5/16" DEWALT ULTRACON	3/8" DEWALT SCREW BOLT+	5/16" ITW TAPCON XL	5/16" ITW TAPCON XL	3/8" ELCO TAPFLEX	5/16" ELCO DRIL-FLEX	5/16" (410 SS) DRILL POINT SCREW	5/16" (410 SS) DRILL POINT SCREW	#20 (0.32") WOOD SCREW	
				CONCRETE	CONCRETE	CONCRETE	CONCRETE	CONCRETE	CONCRETE	CONCRETE	CONCRETE	GFB	GFB	HOLLOW BLOCK	1/4" ALUM. OR STEEL	1/4" STEEL	1/4" STEEL	1/4" ALUM.	WOOD
				4510 PSI	3000 PSI	1819 PSI	3000 PSI	3000 PSI	3000 PSI	3500 PSI	ASTM C90	ASTM C90	ASTM C90	6061-T6 OR A36	A36	A36	6063-T6	G=0.55	
				EMBED: 3.50" EDGE= 3.75"	EMBED: 3.25" EDGE= 5.00"	EMBED: 3.50" EDGE= 3.75"	EMBED: 3.25" EDGE= 4.00"	EMBED: 3.25" EDGE= 5.00"	EMBED: 3.25" EDGE= 4.00"	EMBED: 2.00" EDGE= 3.13"	EMBED: 3.25" EDGE= 5.00"	EMBED: 2.25" EDGE= 4.00"	EMBED: 1.75" EDGE= 4.00"					EMBED: 4.00" EDGE= 1.50"	
108"	+/- 40 PSF	498 LB/FT	180 LB/FT	6.0"	6.0"	6.0"	6.0"	6.0"	6.0"	6.0"	6.0"	6.0"	6.0"	6.0"	6.0"	6.0"	6.0"	6.0"	
	+/- 50 PSF	689 LB/FT	225 LB/FT	6.0"	6.0"	6.0"	6.0"	6.0"	6.0"	6.0"	6.0"	6.0"	6.0"	6.0"	6.0"	6.0"	6.0"	6.0"	
	+/- 60 PSF	880 LB/FT	270 LB/FT	6.0"	6.0"	6.0"	6.0"	6.0"	6.0"	6.0"	6.0"	6.0"	6.0"	6.0"	6.0"	6.0"	6.0"	6.0"	
	+/- 70.0 PSF	1072 LB/FT	315 LB/FT	6.0"	6.0"	6.0"	6.0"	6.0"	6.0"	6.0"	6.0"	6.0"	6.0"	6.0"	6.0"	6.0"	6.0"	6.0"	
	+/- 80.0 PSF	1263 LB/FT	360 LB/FT	6.0"	6.0"	6.0"	6.0"	6.0"	6.0"	6.0"	6.0"	6.0"	6.0"	6.0"	6.0"	6.0"	6.0"	6.0"	
	+/- 90.0 PSF	1454 LB/FT	405 LB/FT	6.0"	6.0"	6.0"	6.0"	6.0"	6.0"	6.0"	6.0"	6.0"	6.0"	6.0"	6.0"	6.0"	6.0"	6.0"	6.0"
	+/- 100.0 PSF	1645 LB/FT	450 LB/FT	6.0"	6.0"	6.0"	6.0"	6.0"	6.0"	6.0"	6.0"	6.0"	6.0"	6.0"	6.0"	6.0"	6.0"	6.0"	6.0"
	+/- 110.0 PSF	1837 LB/FT	495 LB/FT	6.0"	6.0"	6.0"	6.0"	6.0"	6.0"	6.0"	6.0"	6.0"	6.0"	6.0"	6.0"	6.0"	6.0"	6.0"	6.0"
	+/- 120.0 PSF	2028 LB/FT	540 LB/FT	6.0"	6.0"	6.0"	6.0"	6.0"	6.0"	6.0"	6.0"	6.0"	6.0"	6.0"	6.0"	6.0"	6.0"	6.0"	6.0"
	+/- 130.0 PSF	2219 LB/FT	585 LB/FT	6.0"	6.0"	6.0"	6.0"	6.0"	6.0"	6.0"	6.0"	6.0"	6.0"	6.0"	6.0"	6.0"	6.0"	6.0"	6.0"
	+/- 140.0 PSF	2410 LB/FT	630 LB/FT	6.0"	6.0"	6.0"	6.0"	6.0"	6.0"	6.0"	6.0"	6.0"	6.0"	6.0"	6.0"	6.0"	6.0"	6.0"	6.0"
	+/- 150.0 PSF	2602 LB/FT	675 LB/FT	6.0"	6.0"	6.0"	6.0"	6.0"	6.0"	6.0"	6.0"	6.0"	6.0"	6.0"	6.0"	6.0"	6.0"	6.0"	6.0"
+/- 160.0 PSF	2793 LB/FT	720 LB/FT	6.0"	6.0"	6.0"	6.0"	6.0"	6.0"	6.0"	6.0"	6.0"	6.0"	6.0"	6.0"	6.0"	6.0"	6.0"	6.0"	
120"	+/- 30 PSF	456 LB/FT	150 LB/FT	6.0"	6.0"	6.0"	6.0"	6.0"	6.0"	6.0"	6.0"	6.0"	6.0"	6.0"	6.0"	6.0"	6.0"	6.0"	
	+/- 40 PSF	680 LB/FT	200 LB/FT	6.0"	6.0"	6.0"	6.0"	6.0"	6.0"	6.0"	6.0"	6.0"	6.0"	6.0"	6.0"	6.0"	6.0"	6.0"	
	+/- 50 PSF	905 LB/FT	250 LB/FT	6.0"	6.0"	6.0"	6.0"	6.0"	6.0"	6.0"	6.0"	6.0"	6.0"	6.0"	6.0"	6.0"	6.0"	6.0"	
	+/- 60 PSF	1129 LB/FT	300 LB/FT	6.0"	6.0"	6.0"	6.0"	6.0"	6.0"	6.0"	6.0"	6.0"	6.0"	6.0"	6.0"	6.0"	6.0"	6.0"	6.0"
	+/- 70.0 PSF	1353 LB/FT	350 LB/FT	6.0"	6.0"	6.0"	6.0"	6.0"	6.0"	6.0"	6.0"	6.0"	6.0"	6.0"	6.0"	6.0"	6.0"	6.0"	6.0"
	+/- 80.0 PSF	1578 LB/FT	400 LB/FT	6.0"	6.0"	6.0"	6.0"	6.0"	6.0"	6.0"	6.0"	6.0"	6.0"	6.0"	6.0"	6.0"	6.0"	6.0"	6.0"
	+/- 90.0 PSF	1802 LB/FT	450 LB/FT	6.0"	6.0"	6.0"	6.0"	6.0"	6.0"	6.0"	6.0"	6.0"	6.0"	6.0"	6.0"	6.0"	6.0"	6.0"	6.0"
	+/- 100.0 PSF	2026 LB/FT	500 LB/FT	6.0"	6.0"	6.0"	6.0"	6.0"	6.0"	6.0"	6.0"	6.0"	6.0"	6.0"	6.0"	6.0"	6.0"	6.0"	6.0"
	+/- 110.0 PSF	2250 LB/FT	550 LB/FT	6.0"	6.0"	6.0"	6.0"	6.0"	6.0"	6.0"	6.0"	6.0"	6.0"	6.0"	6.0"	6.0"	6.0"	6.0"	6.0"
	+/- 120.0 PSF	2475 LB/FT	600 LB/FT	6.0"	6.0"	6.0"	6.0"	6.0"	6.0"	6.0"	6.0"	6.0"	6.0"	6.0"	6.0"	6.0"	6.0"	6.0"	6.0"
	+/- 130.0 PSF	2699 LB/FT	650 LB/FT	6.0"	6.0"	6.0"	6.0"	6.0"	6.0"	6.0"	6.0"	6.0"	6.0"	6.0"	6.0"	6.0"	6.0"	6.0"	6.0"
	+/- 140.0 PSF	2923 LB/FT	700 LB/FT	6.0"	6.0"	6.0"	6.0"	6.0"	6.0"	6.0"	6.0"	6.0"	6.0"	6.0"	6.0"	6.0"	6.0"	6.0"	6.0"
+/- 150.0 PSF	3148 LB/FT	750 LB/FT	6.0"	6.0"	6.0"	6.0"	6.0"	6.0"	6.0"	6.0"	6.0"	6.0"	6.0"	6.0"	6.0"	6.0"	6.0"	6.0"	
+/- 152.0 PSF	3192 LB/FT	760 LB/FT	6.0"	6.0"	6.0"	6.0"	6.0"	6.0"	6.0"	6.0"	6.0"	6.0"	6.0"	6.0"	6.0"	6.0"	6.0"	6.0"	
132"	+/- 30 PSF	598 LB/FT	165 LB/FT	6.0"	6.0"	6.0"	6.0"	6.0"	6.0"	6.0"	6.0"	6.0"	6.0"	6.0"	6.0"	6.0"	6.0"	6.0"	
	+/- 40 PSF	857 LB/FT	220 LB/FT	6.0"	6.0"	6.0"	6.0"	6.0"	6.0"	6.0"	6.0"	6.0"	6.0"	6.0"	6.0"	6.0"	6.0"	6.0"	
	+/- 50 PSF	1116 LB/FT	275 LB/FT	6.0"	6.0"	6.0"	6.0"	6.0"	6.0"	6.0"	6.0"	6.0"	6.0"	6.0"	6.0"	6.0"	6.0"	6.0"	
	+/- 60 PSF	1375 LB/FT	330 LB/FT	6.0"	6.0"	6.0"	6.0"	6.0"	6.0"	6.0"	6.0"	6.0"	6.0"	6.0"	6.0"	6.0"	6.0"	6.0"	6.0"
	+/- 70 PSF	1634 LB/FT	385 LB/FT	6.0"	6.0"	6.0"	6.0"	6.0"	6.0"	6.0"	6.0"	6.0"	6.0"	6.0"	6.0"	6.0"	6.0"	6.0"	6.0"
	+/- 80 PSF	1893 LB/FT	440 LB/FT	6.0"	6.0"	6.0"	6.0"	6.0"	6.0"	6.0"	6.0"	6.0"	6.0"	6.0"	6.0"	6.0"	6.0"	6.0"	6.0"
	+/- 90 PSF	2152 LB/FT	495 LB/FT	6.0"	6.0"	6.0"	6.0"	6.0"	6.0"	6.0"	6.0"	6.0"	6.0"	6.0"	6.0"	6.0"	6.0"	6.0"	
	+/- 100 PSF	2411 LB/FT	550 LB/FT	6.0"	6.0"	6.0"	6.0"	6.0"	6.0"	6.0"	6.0"	6.0"	6.0"	6.0"	6.0"	6.0"	6.0"	6.0"	
	+/- 110 PSF	2670 LB/FT	605 LB/FT	6.0"	6.0"	6.0"	6.0"	6.0"	6.0"	6.0"	6.0"	6.0"	6.0"	6.0"	6.0"	6.0"	6.0"	6.0"	
	+/- 120 PSF	2929 LB/FT	660 LB/FT	6.0"	6.0"	6.0"	6.0"	6.0"	6.0"	6.0"	6.0"	6.0"	6.0"	6.0"	6.0"	6.0"	6.0"	6.0"	6.0"
	+/- 130 PSF	3188 LB/FT	715 LB/FT	6.0"	6.0"	6.0"	6.0"	6.0"	6.0"	6.0"	6.0"	6.0"	6.0"	6.0"	6.0"	6.0"	6.0"	6.0"	6.0"
	+/- 140 PSF	3447 LB/FT	770 LB/FT	6.0"	6.0"	6.0"	6.0"	6.0"	6.0"	6.0"	6.0"	6.0"	6.0"	6.0"	6.0"	6.0"	6.0"	6.0"	6.0"
+/- 145 PSF	3587 LB/FT	800 LB/FT	6.0"	6.0"	6.0"	6.0"	6.0"	6.0"	6.0"	6.0"	6.0"	6.0"	6.0"	6.0"	6.0"	6.0"	6.0"	6.0"	
144"	+/- 20 PSF	440 LB/FT	120 LB/FT	6.0"	6.0"	6.0"	6.0"	6.0"	6.0"	6.0"	6.0"	6.0"	6.0"	6.0"	6.0"	6.0"	6.0"	6.0"	
	+/- 30 PSF	735 LB/FT	180 LB/FT	6.0"	6.0"	6.0"	6.0"	6.0"	6.0"	6.0"	6.0"	6.0"	6.0"	6.0"	6.0"	6.0"	6.0"	6.0"	
	+/- 40 PSF	1031 LB/FT	240 LB/FT	6.0"	6.0"	6.0"	6.0"	6.0"	6.0"	6.0"	6.0"	6.0"	6.0"	6.0"	6.0"	6.0"	6.0"	6.0"	
	+/- 50 PSF	1326 LB/FT	300 LB/FT	6.0"	6.0"	6.0"	6.0"	6.0"	6.0"	6.0"	6.0"	6.0"	6.0"	6.0"	6.0"	6.0"	6.0"	6.0"	6.0"
	+/- 60 PSF	1622 LB/FT	360 LB/FT	6.0"	6.0"	6.0"	6.0"	6.0"	6.0"	6.0"	6.0"	6.0"	6.0"	6.0"	6.0"	6.0"	6.0"	6.0"	6.0"
	+/- 70 PSF	1917 LB/FT	420 LB/FT	6.0"	6.0"	6.0"	6.0"	6.0"	6.0"	6.0"	6.0"	6.0"	6.0"	6.0"	6.0"	6.0"	6.0"	6.0"	6.0"
	+/- 80 PSF	2213 LB/FT	480 LB/FT	6.0"	6.0"	6.0"	6.0"	6.0"	6.0"	6.0"	6.0"	6.0"	6.0"	6.0"	6.0"	6.0"	6.0"	6.0"	
	+/- 90 PSF	2508 LB/FT	540 LB/FT	6.0"	6.0"	6.0"	6.0"	6.0"	6.0"	6.0"	6.0"	6.0"	6.0"	6.0"	6.0"	6.0"	6.0"	6.0"	
	+/- 100 PSF	2803 LB/FT	600 LB/FT	6.0"	6.0"	6.0"	6.0"	6.0"	6.0"	6.0"	6.0"	6.0"	6.0"	6.0"	6.0"	6.0"	6.0"	6.0"	
	+/- 110 PSF	3099 LB/FT	660 LB/FT	6.0"	6.0"	6.0"	6.0"	6.0"	6.0"	6.0"	6.0"	6.0"	6.0"	6.0"	6.0"	6.0"	6.0"	6.0"	
	+/- 120 PSF	3394 LB/FT	720 LB/FT	6.0"	6.0"	6.0"	6.0"	6.0"	6.0"	6.0"	6.0"	6.0"	6.0"	6.0"	6.0"	6.0"	6.0"	6.0"	
	+/- 130 PSF	3690 LB/FT	780 LB/FT	6.0"	6.0"	6.0"	6.0"	6.0"	6.0"	6.0"	6.0"	6.0"	6.0"	6.0"	6.0"	6.0"	6.0"	6.0"	
+/- 140.0 PSF	3985 LB/FT	840 LB/FT	6.0"	6.0"	6.0"	6.0"	6.0"	6.0"	6.0"	6.0"	6.0"	6.0"	6.0"	6.0"	6.0"	6.0"	6.0"		

SEE PAGE 22 FOR ANCHOR SCHEDULE NOTES

ANCHOR SCHEDULE: TRAP MOUNT, SPANS 156"-236", 1/4"Ø FASTENERS

RICHARD NEET, P.E.
PE# 86488 CA# 9865



POSTAL ADDRESS:
401 W. ATLANTIC AVE R10 #219
DELRAY BEACH, FL 33444
ENGINEERINGEXPRESS.COM

C:\Users\rickn\Engineering Express\Production - Documents\Projects\20-32431 QMI QOM 3-AL8 Family Drawing\WP\2020\FBC\20-32431h.QOM3 - AL8.dwg 10/18/2021 - 12:09pm rickn

SLAT SPAN	DESIGN PRESSURE	Rx	Ry	1/4" HILTI KH-EZ	1/4" ALL-POINTS SOLID-SET	1/4" DEWALT ULTRACON+	1/4" SS ITW TAPCON	1/4" DEWALT ULTRACON+ SS4	1/4" DEWALT POWER-BOLT	1/4" DEWALT SCREW BOLT+	1/4" DEWALT AGGREGATOR	1/4" DEWALT AGGREGATOR	1/4" DEWALT ULTRACON+	1/4" ALL-POINTS SOLID-SET	1/4" DEWALT AGGREGATOR	1/4" DEWALT AGGREGATOR	3/8" ELCO TAPFLEX	#14 (410 SS) DRILL POINT SCREW OR 1/4-20 (410 SS) THRU-BOLT	#14 (410 SS) DRILL POINT SCREW OR 1/4-20 (410 SS) THRU-BOLT		
				CONCRETE	CONCRETE	CONCRETE	CONCRETE	CONCRETE	CONCRETE	GFB	GFB	GFB	GFB OR HOLLOW BLOCK	HOLLOW BLOCK	HOLLOW BLOCK	HOLLOW BLOCK	1/4" ALUM. OR STEEL	STEEL	ALUM.		
				3000 PSI	3000 PSI	3000 PSI	3192 PSI	3000	3000 PSI	ASTM C90	ASTM C90	ASTM C90	ASTM C90	ASTM C90	ASTM C90	ASTM C90	ASTM C90	ASTM C90	6061-T6 OR A36	A36	6063-T6
				EMBED: 2.50" EDGE= 3.00"	EMBED: 0.88" EDGE= 3.00"	EMBED: 1.75" EDGE= 2.50"	EMBED: 1.75" EDGE= 2.50"	EMBED: 1.75" EDGE= 2.50"	EMBED: 2.50" EDGE= 3.00"	EMBED: 2.50" EDGE= 3.00"	EMBED: 2.00" EDGE= 4.00"	EMBED: 2.00" EDGE= 2.00"	EMBED: 2.00" EDGE= 2.00"	EMBED: 1.25" EDGE= 2.00"	EMBED: 0.88" EDGE= 3.00"	EMBED: 1.25" EDGE= 4.00"	EMBED: 1.25" EDGE= 2.00"	EMBED: 0.75" EDGE= 0.75"	EMBED: 0.50" EDGE= 0.50"	EMBED: 0.50" EDGE= 0.50"	
156"	+/- 20 PSF	538 LB/FT	130 LB/FT	6.0"	6.0"	6.0"	6.0"	6.0"	6.0"	6.0"	6.0"	6.0"	3.4"	5.7"	3.2"	3.1"	6.0"	6.0"	6.0"		
	+/- 30 PSF	871 LB/FT	195 LB/FT	6.0"	6.0"	6.0"	6.0"	4.9"	4.8"	5.7"	4.6"	3.9"		3.6"			6.0"	5.9"	3.8"		
	+/- 40 PSF	1205 LB/FT	260 LB/FT	6.0"	4.5"	4.5"	3.6"	3.5"		4.1"	3.4"						6.0"	4.3"			
	+/- 50 PSF	1538 LB/FT	325 LB/FT	5.1"	3.5"	3.6"				3.3"	2.6"						6.0"	3.4"			
168"	+/- 20 PSF	635 LB/FT	140 LB/FT	6.0"	6.0"	6.0"	6.0"	6.0"	6.0"	6.0"	6.0"	5.3"		4.9"			6.0"	6.0"	5.3"		
	+/- 30 PSF	1007 LB/FT	210 LB/FT	6.0"	5.4"	5.5"	4.3"	4.2"		5.0"	4.1"	3.4"		3.1"			6.0"	5.2"	3.3"		
	+/- 40 PSF	1380 LB/FT	280 LB/FT	5.7"	4.0"	4.0"	3.2"	3.1"		3.7"	3.0"						6.0"	3.8"			
	+/- 46 PSF	1604 LB/FT	322 LB/FT	4.9"	3.4"	3.5"				3.2"	2.6"						6.0"	3.3"			
180"	+/- 10 PSF	317 LB/FT	75 LB/FT	6.0"	6.0"	6.0"	6.0"	6.0"	6.0"	6.0"	6.0"	6.0"	5.8"	6.0"	5.5"	5.2"	6.0"	6.0"	6.0"		
	+/- 20 PSF	731 LB/FT	150 LB/FT	6.0"	6.0"	6.0"	6.0"	5.8"	5.6"	6.0"	5.6"	4.7"		4.3"			6.0"	6.0"	4.6"		
	+/- 30 PSF	1144 LB/FT	225 LB/FT	6.0"	4.8"	4.9"	3.8"	3.7"		4.4"	3.6"	3.0"					6.0"	4.6"			
	+/- 40 PSF	1558 LB/FT	300 LB/FT	5.1"	3.5"	3.6"				3.3"	2.7"						6.0"	3.4"			
192"	+/- 10 PSF	371 LB/FT	80 LB/FT	6.0"	6.0"	6.0"	6.0"	6.0"	6.0"	6.0"	6.0"	6.0"	5.0"	6.0"	4.8"	4.5"	6.0"	6.0"	6.0"		
	+/- 20 PSF	827 LB/FT	160 LB/FT	6.0"	6.0"	6.0"	5.3"	5.2"		6.0"	5.0"	4.2"		3.8"			6.0"	6.0"	4.1"		
	+/- 30 PSF	1283 LB/FT	240 LB/FT	6.0"	4.3"	4.4"	3.5"	3.4"		4.0"	3.2"						6.0"	4.1"			
	+/- 40 PSF	1739 LB/FT	320 LB/FT	4.6"	3.2"	3.2"				3.0"	2.4"						6.0"	3.0"			
204"	+/- 10 PSF	424 LB/FT	85 LB/FT	6.0"	6.0"	6.0"	6.0"	6.0"	6.0"	6.0"	6.0"	6.0"	4.4"	6.0"	4.2"	4.0"	6.0"	6.0"	6.0"		
	+/- 20 PSF	924 LB/FT	170 LB/FT	6.0"	6.0"	6.0"	4.8"	4.7"		5.6"	4.5"	3.7"		3.5"			6.0"	5.7"	3.7"		
	+/- 30 PSF	1423 LB/FT	255 LB/FT	5.7"	3.9"	4.0"	3.1"	3.0"		3.6"	2.9"						6.0"	3.7"			
	+/- 38 PSF	1823 LB/FT	323 LB/FT	4.5"	3.1"	3.1"				2.8"	2.3"						6.0"				
216"	+/- 10 PSF	477 LB/FT	90 LB/FT	6.0"	6.0"	6.0"	6.0"	6.0"	6.0"	6.0"	6.0"	6.0"	4.0"	6.0"	3.8"	3.6"	6.0"	6.0"	6.0"		
	+/- 20 PSF	1022 LB/FT	180 LB/FT	6.0"	5.5"	5.6"	4.4"	4.2"		5.1"	4.1"	3.4"		3.2"			6.0"	5.2"	3.4"		
	+/- 30 PSF	1566 LB/FT	270 LB/FT	5.2"	3.6"	3.6"				3.3"	2.7"						6.0"	3.4"			
	+/- 36 PSF	1893 LB/FT	324 LB/FT	4.3"		3.0"				2.8"	2.2"						6.0"				
228"	+/- 10 PSF	530 LB/FT	95 LB/FT	6.0"	6.0"	6.0"	6.0"	6.0"	6.0"	6.0"	6.0"	6.0"	3.6"	6.0"	3.4"	3.3"	6.0"	6.0"	6.0"		
	+/- 20 PSF	1121 LB/FT	190 LB/FT	6.0"	5.0"	5.1"	4.0"	3.9"		4.7"	3.7"	3.1"					6.0"	4.8"	3.1"		
	+/- 30 PSF	1712 LB/FT	285 LB/FT	4.8"	3.3"	3.4"				3.1"	2.5"						6.0"	3.1"			
	+/- 34 PSF	1948 LB/FT	323 LB/FT	4.2"		3.0"				2.7"	2.2"						6.0"				
236"	+/- 10 PSF	566 LB/FT	98 LB/FT	6.0"	6.0"	6.0"	6.0"	6.0"	6.0"	6.0"	6.0"	6.0"	3.4"	5.7"	3.2"	3.1"	6.0"	6.0"	6.0"		
	+/- 20 PSF	1188 LB/FT	197 LB/FT	6.0"	4.7"	4.8"	3.8"	3.7"		4.4"	3.5"						6.0"	4.5"			
	+/- 30 PSF	1810 LB/FT	295 LB/FT	4.6"	3.1"	3.2"				2.9"	2.3"						6.0"				
	+/- 33 PSF	1997 LB/FT	325 LB/FT	4.1"		2.9"				2.6"	2.1"						6.0"				

QMI SECURITY SOLUTIONS

1661 GLENLAKE AVE.
ITASCA, IL 60143
PHONE: (866) 980-1750

QOM3 - AL8 ROLL-UP SHUTTER
FLORIDA BUILDING CODE SEVENTH ED (2020)
PRODUCT APPROVAL #FL 39156.1

REMARKS	DRWN	CHKD	DATE
INIT ISSUE	CSL	RWN	6/11/2021
REV - ADDL OPTIONS	RWN	RWN	6/15/2021
REV - ADDL OPTIONS	RWN	RWN	10/14/2021

COPYRIGHT ENGINEERING EXPRESS®

20-32431

SCALE: NTS UNLESS NOTED

SEE PAGE 22 FOR ANCHOR SCHEDULE NOTES

ANCHOR SCHEDULE: TRAP MOUNT, SPANS 48"-96", ≥5/16"Ø FASTENERS

RICHARD NEET, P.E.
PE# 86488 CA# 9865



ENGINEERING EXPRESS
 POSTAL ADDRESS:
 401 W. ATLANTIC AVE R10 #219
 DELRAY BEACH, FL 33444
 ENGINEERINGEXPRESS.COM

QMI SECURITY SOLUTIONS
 1661 GLENLAKE AVE.
 ITASCA, IL 60143
 PHONE: (866) 980-1750
 QOM3 - AL8 ROLL-UP SHUTTER
 FLORIDA BUILDING CODE SEVENTH ED (2020)
 PRODUCT APPROVAL #FL 39156.1

REMARKS	DRWN	CHKD	DATE
INIT ISSUE	CSL	RWN	6/11/2021
REV - ADDL OPTIONS	RWN	RWN	8/15/2021
REV - ADDL OPTIONS	RWN	RWN	10/14/2021

20-32431
 SCALE: NTS UNLESS NOTED
 20 OF 30

C:\Users\rickn\Engineering Express\Production - Documents\Projects\20-32431 QMI QOM 3-AL8 Family Drawing\WP2020-FBC\20-32431h-QOM3 - AL8.dwg 10/18/2021 - 12:09pm rickn

SLAT SPAN	DESIGN PRESSURE	Rx	Ry	3/8" ELCO / DEWALT CONFLEX	3/8" DEWALT SCREW BOLT+	3/8" ELCO / DEWALT CONFLEX	3/8" DEWALT SCREW BOLT+	3/8" HILTI KH-EZ	3/8" HILTI KH-EZ	5/16" DEWALT ULTRACON	3/8" DEWALT SCREW BOLT+	5/16" ITW TAPCON XL	5/16" ITW TAPCON XL	3/8" ELCO TAPFLEX	5/16" ELCO DRIL-FLEX	5/16" (410 SS) DRILL POINT SCREW	5/16" (410 SS) DRILL POINT SCREW	#20 (0.32") WOOD SCREW	
				CONCRETE	CONCRETE	CONCRETE	CONCRETE	CONCRETE	CONCRETE	CONCRETE	GFB	GFB	HOLLOW BLOCK	1/4" ALUM. OR STEEL	1/4" STEEL	1/4" STEEL	1/4" ALUM.	WOOD	
				4510 PSI	3000 PSI	1819 PSI	3000 PSI	3000 PSI	3000 PSI	3500 PSI	ASTM C90	ASTM C90	ASTM C90	6061-T6 OR A36	A36	A36	A36	6063-T6	G=0.55
				EMBED: 3.50" EDGE= 3.75"	EMBED: 3.25" EDGE= 5.00"	EMBED: 3.50" EDGE= 3.75"	EMBED: 3.25" EDGE= 4.00"	EMBED: 3.25" EDGE= 5.00"	EMBED: 3.25" EDGE= 4.00"	EMBED: 2.00" EDGE= 3.13"	EMBED: 3.25" EDGE= 5.00"	EMBED: 2.25" EDGE= 4.00"	EMBED: 1.75" EDGE= 4.00"	EMBED: 0.75" EDGE= 0.75"	EMBED: 0.75" EDGE= 0.75"	EMBED: 0.75" EDGE= 0.75"	EMBED: 0.63" EDGE= 0.63"	EMBED: 1.50"	
48"	+/- 246.7 PSF	53 LB/FT	493 LB/FT	6.0"	6.0"	6.0"	6.0"	6.0"	6.0"	6.0"	6.0"	6.0"	6.0"	6.0"	6.0"	6.0"	6.0"	6.0"	
60"	+/- 150 PSF	322 LB/FT	375 LB/FT	6.0"	6.0"	6.0"	6.0"	6.0"	6.0"	6.0"	6.0"	6.0"	6.0"	6.0"	6.0"	6.0"	6.0"	6.0"	
	+/- 160 PSF	400 LB/FT	400 LB/FT	6.0"	6.0"	6.0"	6.0"	6.0"	6.0"	6.0"	6.0"	6.0"	5.4"	6.0"	6.0"	6.0"	6.0"	6.0"	
	+/- 170 PSF	479 LB/FT	425 LB/FT	6.0"	6.0"	6.0"	6.0"	6.0"	6.0"	6.0"	6.0"	6.0"	4.7"	6.0"	6.0"	6.0"	6.0"	6.0"	
	+/- 180 PSF	557 LB/FT	450 LB/FT	6.0"	6.0"	6.0"	6.0"	6.0"	6.0"	6.0"	6.0"	6.0"	4.1"	6.0"	6.0"	6.0"	6.0"	6.0"	
	+/- 190 PSF	635 LB/FT	475 LB/FT	6.0"	6.0"	6.0"	6.0"	6.0"	6.0"	6.0"	6.0"	6.0"	5.8"	6.0"	6.0"	6.0"	6.0"	6.0"	
	+/- 200 PSF	714 LB/FT	500 LB/FT	6.0"	6.0"	6.0"	6.0"	6.0"	6.0"	6.0"	6.0"	6.0"	5.3"	6.0"	6.0"	6.0"	6.0"	5.8"	
	+/- 210.0 PSF	792 LB/FT	525 LB/FT	6.0"	6.0"	6.0"	6.0"	6.0"	6.0"	6.0"	6.0"	6.0"	4.8"	6.0"	6.0"	6.0"	6.0"	5.4"	
+/- 214.3 PSF	826 LB/FT	536 LB/FT	6.0"	6.0"	6.0"	6.0"	6.0"	6.0"	6.0"	6.0"	6.0"	4.7"	6.0"	6.0"	6.0"	6.0"	5.3"		
72"	+/- 90 PSF	335 LB/FT	270 LB/FT	6.0"	6.0"	6.0"	6.0"	6.0"	6.0"	6.0"	6.0"	6.0"	6.0"	6.0"	6.0"	6.0"	6.0"	6.0"	
	+/- 100 PSF	438 LB/FT	300 LB/FT	6.0"	6.0"	6.0"	6.0"	6.0"	6.0"	6.0"	6.0"	6.0"	5.4"	6.0"	6.0"	6.0"	6.0"	6.0"	
	+/- 110 PSF	542 LB/FT	330 LB/FT	6.0"	6.0"	6.0"	6.0"	6.0"	6.0"	6.0"	6.0"	6.0"	4.5"	6.0"	6.0"	6.0"	6.0"	6.0"	
	+/- 120 PSF	645 LB/FT	360 LB/FT	6.0"	6.0"	6.0"	6.0"	6.0"	6.0"	6.0"	6.0"	6.0"	3.9"	6.0"	6.0"	6.0"	6.0"	6.0"	
	+/- 130 PSF	749 LB/FT	390 LB/FT	6.0"	6.0"	6.0"	6.0"	6.0"	6.0"	6.0"	6.0"	6.0"	5.5"	6.0"	6.0"	6.0"	6.0"	6.0"	
	+/- 140 PSF	852 LB/FT	420 LB/FT	6.0"	6.0"	6.0"	6.0"	6.0"	6.0"	6.0"	6.0"	6.0"	4.9"	6.0"	6.0"	6.0"	6.0"	6.0"	
	+/- 150 PSF	955 LB/FT	450 LB/FT	6.0"	6.0"	6.0"	6.0"	6.0"	6.0"	6.0"	6.0"	6.0"	4.4"	6.0"	6.0"	6.0"	6.0"	5.6"	
	+/- 160 PSF	1059 LB/FT	480 LB/FT	6.0"	6.0"	6.0"	6.0"	6.0"	6.0"	6.0"	6.0"	6.0"	4.0"	6.0"	6.0"	6.0"	6.0"	5.2"	
	+/- 170 PSF	1162 LB/FT	510 LB/FT	6.0"	6.0"	6.0"	6.0"	6.0"	6.0"	6.0"	6.0"	6.0"	6.0"	6.0"	6.0"	6.0"	6.0"	4.8"	
	+/- 180 PSF	1266 LB/FT	540 LB/FT	6.0"	6.0"	6.0"	6.0"	6.0"	6.0"	6.0"	6.0"	6.0"	5.9"	6.0"	6.0"	6.0"	6.0"	4.5"	
	+/- 190 PSF	1369 LB/FT	570 LB/FT	6.0"	6.0"	6.0"	6.0"	6.0"	6.0"	6.0"	6.0"	6.0"	5.8"	6.0"	6.0"	6.0"	6.0"	4.2"	
	+/- 200 PSF	1472 LB/FT	600 LB/FT	6.0"	6.0"	6.0"	6.0"	6.0"	6.0"	6.0"	6.0"	6.0"	5.4"	6.0"	6.0"	6.0"	6.0"	4.0"	
	+/- 210.0 PSF	1576 LB/FT	630 LB/FT	6.0"	6.0"	6.0"	6.0"	6.0"	6.0"	6.0"	6.0"	6.0"	5.1"	6.0"	6.0"	6.0"	6.0"	3.8"	
+/- 213.3 PSF	1610 LB/FT	640 LB/FT	6.0"	6.0"	6.0"	6.0"	6.0"	6.0"	6.0"	6.0"	6.0"	5.0"	6.0"	6.0"	6.0"	6.0"	3.7"		
84"	+/- 60 PSF	345 LB/FT	210 LB/FT	6.0"	6.0"	6.0"	6.0"	6.0"	6.0"	6.0"	6.0"	6.0"	6.0"	6.0"	6.0"	6.0"	6.0"	6.0"	
	+/- 70 PSF	475 LB/FT	245 LB/FT	6.0"	6.0"	6.0"	6.0"	6.0"	6.0"	6.0"	6.0"	6.0"	5.3"	6.0"	6.0"	6.0"	6.0"	6.0"	
	+/- 80 PSF	606 LB/FT	280 LB/FT	6.0"	6.0"	6.0"	6.0"	6.0"	6.0"	6.0"	6.0"	6.0"	4.3"	6.0"	6.0"	6.0"	6.0"	6.0"	
	+/- 90 PSF	737 LB/FT	315 LB/FT	6.0"	6.0"	6.0"	6.0"	6.0"	6.0"	6.0"	6.0"	6.0"	5.8"	6.0"	6.0"	6.0"	6.0"	6.0"	
	+/- 100 PSF	867 LB/FT	350 LB/FT	6.0"	6.0"	6.0"	6.0"	6.0"	6.0"	6.0"	6.0"	6.0"	5.0"	6.0"	6.0"	6.0"	6.0"	6.0"	
	+/- 110 PSF	998 LB/FT	385 LB/FT	6.0"	6.0"	6.0"	6.0"	6.0"	6.0"	6.0"	6.0"	6.0"	4.4"	6.0"	6.0"	6.0"	6.0"	6.0"	
	+/- 120 PSF	1129 LB/FT	420 LB/FT	6.0"	6.0"	6.0"	6.0"	6.0"	6.0"	6.0"	6.0"	6.0"	3.9"	6.0"	6.0"	6.0"	6.0"	5.5"	
	+/- 130 PSF	1259 LB/FT	455 LB/FT	6.0"	6.0"	6.0"	6.0"	6.0"	6.0"	6.0"	6.0"	6.0"	6.0"	6.0"	6.0"	6.0"	6.0"	5.0"	
	+/- 140 PSF	1390 LB/FT	490 LB/FT	6.0"	6.0"	6.0"	6.0"	6.0"	6.0"	6.0"	6.0"	6.0"	5.7"	6.0"	6.0"	6.0"	6.0"	4.6"	
	+/- 150 PSF	1521 LB/FT	525 LB/FT	6.0"	6.0"	6.0"	6.0"	6.0"	6.0"	6.0"	6.0"	6.0"	5.5"	6.0"	6.0"	6.0"	6.0"	4.2"	
	+/- 160 PSF	1652 LB/FT	560 LB/FT	6.0"	6.0"	6.0"	6.0"	6.0"	6.0"	6.0"	6.0"	6.0"	5.1"	6.0"	6.0"	6.0"	6.0"	3.9"	
	+/- 170 PSF	1782 LB/FT	595 LB/FT	6.0"	6.0"	6.0"	6.0"	6.0"	6.0"	6.0"	6.0"	6.0"	4.8"	6.0"	6.0"	6.0"	6.0"	3.7"	
	+/- 180 PSF	1913 LB/FT	630 LB/FT	6.0"	6.0"	6.0"	6.0"	6.0"	6.0"	6.0"	6.0"	6.0"	4.5"	6.0"	6.0"	6.0"	6.0"	3.5"	
+/- 187 PSF	2004 LB/FT	655 LB/FT	6.0"	6.0"	6.0"	6.0"	6.0"	6.0"	6.0"	6.0"	6.0"	4.3"	6.0"	6.0"	6.0"	6.0"	3.3"		
96"	+/- 30 PSF	143 LB/FT	120 LB/FT	6.0"	6.0"	6.0"	6.0"	6.0"	6.0"	6.0"	6.0"	6.0"	6.0"	6.0"	6.0"	6.0"	6.0"	6.0"	
	+/- 40 PSF	303 LB/FT	160 LB/FT	6.0"	6.0"	6.0"	6.0"	6.0"	6.0"	6.0"	6.0"	6.0"	6.0"	6.0"	6.0"	6.0"	6.0"	6.0"	
	+/- 50 PSF	463 LB/FT	200 LB/FT	6.0"	6.0"	6.0"	6.0"	6.0"	6.0"	6.0"	6.0"	6.0"	5.7"	6.0"	6.0"	6.0"	6.0"	6.0"	
	+/- 60 PSF	623 LB/FT	240 LB/FT	6.0"	6.0"	6.0"	6.0"	6.0"	6.0"	6.0"	6.0"	6.0"	4.3"	6.0"	6.0"	6.0"	6.0"	6.0"	
	+/- 70 PSF	783 LB/FT	280 LB/FT	6.0"	6.0"	6.0"	6.0"	6.0"	6.0"	6.0"	6.0"	6.0"	5.7"	6.0"	6.0"	6.0"	6.0"	6.0"	
	+/- 80 PSF	943 LB/FT	320 LB/FT	6.0"	6.0"	6.0"	6.0"	6.0"	6.0"	6.0"	6.0"	6.0"	4.8"	6.0"	6.0"	6.0"	6.0"	6.0"	
	+/- 90 PSF	1103 LB/FT	360 LB/FT	6.0"	6.0"	6.0"	6.0"	6.0"	6.0"	6.0"	6.0"	6.0"	4.1"	6.0"	6.0"	6.0"	6.0"	6.0"	
	+/- 100 PSF	1263 LB/FT	400 LB/FT	6.0"	6.0"	6.0"	6.0"	6.0"	6.0"	6.0"	6.0"	6.0"	6.0"	6.0"	6.0"	6.0"	6.0"	5.4"	
	+/- 110 PSF	1423 LB/FT	440 LB/FT	6.0"	6.0"	6.0"	6.0"	6.0"	6.0"	6.0"	6.0"	6.0"	5.8"	6.0"	6.0"	6.0"	6.0"	4.8"	
	+/- 120 PSF	1583 LB/FT	480 LB/FT	6.0"	6.0"	6.0"	6.0"	6.0"	6.0"	6.0"	6.0"	6.0"	5.5"	6.0"	6.0"	6.0"	6.0"	4.4"	
	+/- 130 PSF	1743 LB/FT	520 LB/FT	6.0"	6.0"	6.0"	6.0"	6.0"	6.0"	6.0"	6.0"	6.0"	5.0"	6.0"	6.0"	6.0"	6.0"	4.0"	
	+/- 140 PSF	1903 LB/FT	560 LB/FT	6.0"	6.0"	6.0"	6.0"	6.0"	6.0"	6.0"	6.0"	6.0"	4.6"	6.0"	6.0"	6.0"	6.0"	3.7"	
	+/- 150 PSF	2063 LB/FT	600 LB/FT	6.0"	6.0"	6.0"	6.0"	6.0"	6.0"	6.0"	6.0"	6.0"	4.3"	6.0"	6.0"	6.0"	6.0"	3.4"	
+/- 160 PSF	2223 LB/FT	640 LB/FT	6.0"	6.0"	6.0"	6.0"	6.0"	6.0"	6.0"	6.0"	6.0"	4.0"	6.0"	6.0"	6.0"	6.0"	3.2"		
+/- 171 PSF	2399 LB/FT	684 LB/FT	6.0"	5.7"	6.0"	4.9"	5.9"	5.3"	6.0"	6.0"	6.0"	3.7"	6.0"	6.0"	6.0"	6.0"	3.0"		

SEE PAGE 22 FOR ANCHOR SCHEDULE NOTES

ANCHOR SCHEDULE: TRAP MOUNT, SPANS 108"-144", ≥5/16"Ø FASTENERS

RICHARD NEET, P.E.
PE# 86488 CA# 9865



ENGINEERING EXPRESS
 POSTAL ADDRESS:
 401 W. ATLANTIC AVE R10 #219
 DELRAY BEACH, FL 33444
 ENGINEERINGEXPRESS.COM

QMI SECURITY SOLUTIONS
 1661 GLENLAKE AVE.
 ITASCA, IL 60143
 PHONE: (866) 980-1750
 QOM3 - AL8 ROLL-UP SHUTTER
 FLORIDA BUILDING CODE SEVENTH ED (2020)
 PRODUCT APPROVAL #FL 39156.1

REMARKS	DRWN	CHKD	DATE
INIT ISSUE	C-SL	RWN	6/11/2021
REV - ADDL OPTIONS	RWN	RWN	8/15/2021
REV - ADDL OPTIONS	RWN	RWN	10/14/2021

COPYRIGHT ENGINEERING EXPRESS®
20-32431

SCALE: NTS UNLESS NOTED

C:\Users\rickn\Engineering Express\Production - Documents\Projects\20-32431 QMI QOM 3-AL8 Family Drawing\WP2020 FBC\20-32431h QOM3 - AL8.dwg 10/18/2021 - 12:09pm rickn

SLAT SPAN	DESIGN PRESSURE	Rx	Ry	3/8" ELCO / DEWALT CONFLEX	3/8" DEWALT SCREW BOLT+	3/8" ELCO / DEWALT CONFLEX	3/8" DEWALT SCREW BOLT+	3/8" HILTI KH-EZ	3/8" HILTI KH-EZ	5/16" DEWALT ULTRACON	3/8" DEWALT SCREW BOLT+	5/16" ITW TAPCON XL	5/16" ITW TAPCON XL	3/8" ELCO TAPFLEX	5/16" ELCO DRIL-FLEX	5/16" (410 SS) DRILL POINT SCREW	5/16" (410 SS) DRILL POINT SCREW	#20 (0.32") WOOD SCREW	
				CONCRETE	CONCRETE	CONCRETE	CONCRETE	CONCRETE	CONCRETE	GFB	GFB	HOLLOW BLOCK	1/4" ALUM. OR STEEL	1/4" STEEL	1/4" STEEL	1/4" ALUM.	WOOD		
				4510 PSI	3000 PSI	1819 PSI	3000 PSI	3000 PSI	3000 PSI	3500 PSI	ASTM C90	ASTM C90	ASTM C90	6061-T6 OR A36	A36	A36	A36	6063-T6	G=0.55
				EMBED: 3.50" EDGE= 3.75"	EMBED: 3.25" EDGE= 5.00"	EMBED: 3.50" EDGE= 3.75"	EMBED: 3.25" EDGE= 4.00"	EMBED: 3.25" EDGE= 5.00"	EMBED: 3.25" EDGE= 4.00"	EMBED: 2.00" EDGE= 3.13"	EMBED: 3.25" EDGE= 5.00"	EMBED: 2.25" EDGE= 4.00"	EMBED: 1.75" EDGE= 4.00"	-	-	-	-	EMBED: 4.00" EDGE= 1.50"	
108"	+/- 30 PSF	307 LB/FT	135 LB/FT	6.0"	6.0"	6.0"	6.0"	6.0"	6.0"	6.0"	6.0"	6.0"	6.0"	6.0"	6.0"	6.0"	6.0"	6.0"	
	+/- 40 PSF	498 LB/FT	180 LB/FT	6.0"	6.0"	6.0"	6.0"	6.0"	6.0"	6.0"	6.0"	6.0"	6.0"	6.0"	6.0"	6.0"	6.0"	6.0"	
	+/- 50 PSF	689 LB/FT	225 LB/FT	6.0"	6.0"	6.0"	6.0"	6.0"	6.0"	6.0"	6.0"	6.0"	6.0"	6.0"	6.0"	6.0"	6.0"	6.0"	
	+/- 60 PSF	880 LB/FT	270 LB/FT	6.0"	6.0"	6.0"	6.0"	6.0"	6.0"	6.0"	6.0"	6.0"	6.0"	6.0"	6.0"	6.0"	6.0"	6.0"	
	+/- 70.0 PSF	1072 LB/FT	315 LB/FT	6.0"	6.0"	6.0"	6.0"	6.0"	6.0"	6.0"	6.0"	6.0"	6.0"	6.0"	6.0"	6.0"	6.0"	6.0"	
	+/- 80.0 PSF	1263 LB/FT	360 LB/FT	6.0"	6.0"	6.0"	6.0"	6.0"	6.0"	6.0"	6.0"	6.0"	6.0"	6.0"	6.0"	6.0"	6.0"	6.0"	6.0"
	+/- 90.0 PSF	1454 LB/FT	405 LB/FT	6.0"	6.0"	6.0"	6.0"	6.0"	6.0"	6.0"	6.0"	6.0"	6.0"	6.0"	6.0"	6.0"	6.0"	6.0"	6.0"
	+/- 100.0 PSF	1645 LB/FT	450 LB/FT	6.0"	6.0"	6.0"	6.0"	6.0"	6.0"	6.0"	6.0"	6.0"	6.0"	6.0"	6.0"	6.0"	6.0"	6.0"	6.0"
	+/- 110.0 PSF	1837 LB/FT	495 LB/FT	6.0"	6.0"	6.0"	6.0"	6.0"	6.0"	6.0"	6.0"	6.0"	6.0"	6.0"	6.0"	6.0"	6.0"	6.0"	6.0"
	+/- 120.0 PSF	2028 LB/FT	540 LB/FT	6.0"	6.0"	6.0"	6.0"	6.0"	6.0"	6.0"	6.0"	6.0"	6.0"	6.0"	6.0"	6.0"	6.0"	6.0"	6.0"
	+/- 130.0 PSF	2219 LB/FT	585 LB/FT	6.0"	6.0"	6.0"	6.0"	6.0"	6.0"	6.0"	6.0"	6.0"	6.0"	6.0"	6.0"	6.0"	6.0"	6.0"	6.0"
	+/- 140.0 PSF	2410 LB/FT	630 LB/FT	6.0"	6.0"	6.0"	6.0"	6.0"	6.0"	6.0"	6.0"	6.0"	6.0"	6.0"	6.0"	6.0"	6.0"	6.0"	6.0"
+/- 150.0 PSF	2602 LB/FT	675 LB/FT	6.0"	6.0"	6.0"	6.0"	6.0"	6.0"	6.0"	6.0"	6.0"	6.0"	6.0"	6.0"	6.0"	6.0"	6.0"	6.0"	
+/- 160.0 PSF	2793 LB/FT	720 LB/FT	6.0"	6.0"	6.0"	6.0"	6.0"	6.0"	6.0"	6.0"	6.0"	6.0"	6.0"	6.0"	6.0"	6.0"	6.0"	6.0"	
120"	+/- 30 PSF	456 LB/FT	150 LB/FT	6.0"	6.0"	6.0"	6.0"	6.0"	6.0"	6.0"	6.0"	6.0"	6.0"	6.0"	6.0"	6.0"	6.0"	6.0"	
	+/- 40 PSF	680 LB/FT	200 LB/FT	6.0"	6.0"	6.0"	6.0"	6.0"	6.0"	6.0"	6.0"	6.0"	6.0"	6.0"	6.0"	6.0"	6.0"	6.0"	
	+/- 50 PSF	905 LB/FT	250 LB/FT	6.0"	6.0"	6.0"	6.0"	6.0"	6.0"	6.0"	6.0"	6.0"	6.0"	6.0"	6.0"	6.0"	6.0"	6.0"	
	+/- 60 PSF	1129 LB/FT	300 LB/FT	6.0"	6.0"	6.0"	6.0"	6.0"	6.0"	6.0"	6.0"	6.0"	6.0"	6.0"	6.0"	6.0"	6.0"	6.0"	6.0"
	+/- 70.0 PSF	1353 LB/FT	350 LB/FT	6.0"	6.0"	6.0"	6.0"	6.0"	6.0"	6.0"	6.0"	6.0"	6.0"	6.0"	6.0"	6.0"	6.0"	6.0"	6.0"
	+/- 80.0 PSF	1578 LB/FT	400 LB/FT	6.0"	6.0"	6.0"	6.0"	6.0"	6.0"	6.0"	6.0"	6.0"	6.0"	6.0"	6.0"	6.0"	6.0"	6.0"	6.0"
	+/- 90.0 PSF	1802 LB/FT	450 LB/FT	6.0"	6.0"	6.0"	6.0"	6.0"	6.0"	6.0"	6.0"	6.0"	6.0"	6.0"	6.0"	6.0"	6.0"	6.0"	6.0"
	+/- 100.0 PSF	2026 LB/FT	500 LB/FT	6.0"	6.0"	6.0"	6.0"	6.0"	6.0"	6.0"	6.0"	6.0"	6.0"	6.0"	6.0"	6.0"	6.0"	6.0"	6.0"
	+/- 110.0 PSF	2250 LB/FT	550 LB/FT	6.0"	6.0"	6.0"	6.0"	6.0"	6.0"	6.0"	6.0"	6.0"	6.0"	6.0"	6.0"	6.0"	6.0"	6.0"	6.0"
	+/- 120.0 PSF	2475 LB/FT	600 LB/FT	6.0"	6.0"	6.0"	6.0"	6.0"	6.0"	6.0"	6.0"	6.0"	6.0"	6.0"	6.0"	6.0"	6.0"	6.0"	6.0"
	+/- 130.0 PSF	2699 LB/FT	650 LB/FT	6.0"	6.0"	6.0"	6.0"	6.0"	6.0"	6.0"	6.0"	6.0"	6.0"	6.0"	6.0"	6.0"	6.0"	6.0"	6.0"
	+/- 140.0 PSF	2923 LB/FT	700 LB/FT	6.0"	6.0"	6.0"	6.0"	6.0"	6.0"	6.0"	6.0"	6.0"	6.0"	6.0"	6.0"	6.0"	6.0"	6.0"	6.0"
+/- 152.0 PSF	3192 LB/FT	760 LB/FT	6.0"	6.0"	6.0"	6.0"	6.0"	6.0"	6.0"	6.0"	6.0"	6.0"	6.0"	6.0"	6.0"	6.0"	6.0"	6.0"	
132"	+/- 30 PSF	598 LB/FT	165 LB/FT	6.0"	6.0"	6.0"	6.0"	6.0"	6.0"	6.0"	6.0"	6.0"	6.0"	6.0"	6.0"	6.0"	6.0"	6.0"	
	+/- 40 PSF	857 LB/FT	220 LB/FT	6.0"	6.0"	6.0"	6.0"	6.0"	6.0"	6.0"	6.0"	6.0"	6.0"	6.0"	6.0"	6.0"	6.0"	6.0"	
	+/- 50 PSF	1116 LB/FT	275 LB/FT	6.0"	6.0"	6.0"	6.0"	6.0"	6.0"	6.0"	6.0"	6.0"	6.0"	6.0"	6.0"	6.0"	6.0"	6.0"	
	+/- 60 PSF	1375 LB/FT	330 LB/FT	6.0"	6.0"	6.0"	6.0"	6.0"	6.0"	6.0"	6.0"	6.0"	6.0"	6.0"	6.0"	6.0"	6.0"	6.0"	6.0"
	+/- 70 PSF	1634 LB/FT	385 LB/FT	6.0"	6.0"	6.0"	6.0"	6.0"	6.0"	6.0"	6.0"	6.0"	6.0"	6.0"	6.0"	6.0"	6.0"	6.0"	6.0"
	+/- 80 PSF	1893 LB/FT	440 LB/FT	6.0"	6.0"	6.0"	6.0"	6.0"	6.0"	6.0"	6.0"	6.0"	6.0"	6.0"	6.0"	6.0"	6.0"	6.0"	6.0"
	+/- 90 PSF	2152 LB/FT	495 LB/FT	6.0"	6.0"	6.0"	6.0"	6.0"	6.0"	6.0"	6.0"	6.0"	6.0"	6.0"	6.0"	6.0"	6.0"	6.0"	
	+/- 100 PSF	2411 LB/FT	550 LB/FT	6.0"	6.0"	6.0"	6.0"	6.0"	6.0"	6.0"	6.0"	6.0"	6.0"	6.0"	6.0"	6.0"	6.0"	6.0"	
	+/- 110 PSF	2670 LB/FT	605 LB/FT	6.0"	6.0"	6.0"	6.0"	6.0"	6.0"	6.0"	6.0"	6.0"	6.0"	6.0"	6.0"	6.0"	6.0"	6.0"	
	+/- 120 PSF	2929 LB/FT	660 LB/FT	6.0"	6.0"	6.0"	6.0"	6.0"	6.0"	6.0"	6.0"	6.0"	6.0"	6.0"	6.0"	6.0"	6.0"	6.0"	6.0"
	+/- 130 PSF	3188 LB/FT	715 LB/FT	6.0"	6.0"	6.0"	6.0"	6.0"	6.0"	6.0"	6.0"	6.0"	6.0"	6.0"	6.0"	6.0"	6.0"	6.0"	6.0"
	+/- 140 PSF	3447 LB/FT	770 LB/FT	6.0"	6.0"	6.0"	6.0"	6.0"	6.0"	6.0"	6.0"	6.0"	6.0"	6.0"	6.0"	6.0"	6.0"	6.0"	6.0"
+/- 145 PSF	3587 LB/FT	800 LB/FT	6.0"	6.0"	6.0"	6.0"	6.0"	6.0"	6.0"	6.0"	6.0"	6.0"	6.0"	6.0"	6.0"	6.0"	6.0"	6.0"	
144"	+/- 20 PSF	440 LB/FT	120 LB/FT	6.0"	6.0"	6.0"	6.0"	6.0"	6.0"	6.0"	6.0"	6.0"	6.0"	6.0"	6.0"	6.0"	6.0"	6.0"	
	+/- 30 PSF	735 LB/FT	180 LB/FT	6.0"	6.0"	6.0"	6.0"	6.0"	6.0"	6.0"	6.0"	6.0"	6.0"	6.0"	6.0"	6.0"	6.0"	6.0"	
	+/- 40 PSF	1031 LB/FT	240 LB/FT	6.0"	6.0"	6.0"	6.0"	6.0"	6.0"	6.0"	6.0"	6.0"	6.0"	6.0"	6.0"	6.0"	6.0"	6.0"	
	+/- 50 PSF	1326 LB/FT	300 LB/FT	6.0"	6.0"	6.0"	6.0"	6.0"	6.0"	6.0"	6.0"	6.0"	6.0"	6.0"	6.0"	6.0"	6.0"	6.0"	6.0"
	+/- 60 PSF	1622 LB/FT	360 LB/FT	6.0"	6.0"	6.0"	6.0"	6.0"	6.0"	6.0"	6.0"	6.0"	6.0"	6.0"	6.0"	6.0"	6.0"	6.0"	6.0"
	+/- 70 PSF	1917 LB/FT	420 LB/FT	6.0"	6.0"	6.0"	6.0"	6.0"	6.0"	6.0"	6.0"	6.0"	6.0"	6.0"	6.0"	6.0"	6.0"	6.0"	
	+/- 80 PSF	2213 LB/FT	480 LB/FT	6.0"	6.0"	6.0"	6.0"	6.0"	6.0"	6.0"	6.0"	6.0"	6.0"	6.0"	6.0"	6.0"	6.0"	6.0"	
	+/- 90 PSF	2508 LB/FT	540 LB/FT	6.0"	6.0"	6.0"	6.0"	6.0"	6.0"	6.0"	6.0"	6.0"	6.0"	6.0"	6.0"	6.0"	6.0"	6.0"	
	+/- 100 PSF	2803 LB/FT	600 LB/FT	6.0"	6.0"	6.0"	6.0"	6.0"	6.0"	6.0"	6.0"	6.0"	6.0"	6.0"	6.0"	6.0"	6.0"	6.0"	
	+/- 110 PSF	3099 LB/FT	660 LB/FT	6.0"	6.0"	6.0"	6.0"	6.0"	6.0"	6.0"	6.0"	6.0"	6.0"	6.0"	6.0"	6.0"	6.0"	6.0"	
	+/- 120 PSF	3394 LB/FT	720 LB/FT	6.0"	6.0"	6.0"	6.0"	6.0"	6.0"	6.0"	6.0"	6.0"	6.0"	6.0"	6.0"	6.0"	6.0"	6.0"	
	+/- 130 PSF	3690 LB/FT	780 LB/FT	6.0"	6.0"	6.0"	6.0"	6.0"	6.0"	6.0"	6.0"	6.0"	6.0"	6.0"	6.0"	6.0"	6.0"	6.0"	
+/- 140.0 PSF	3985 LB/FT	840 LB/FT	6.0"	6.0"	6.0"	6.0"	6.0"	6.0"	6.0"	6.0"	6.0"	6.0"	6.0"	6.0"	6.0"	6.0"	6.0"		

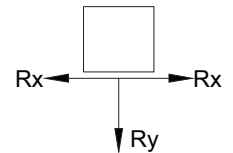
SEE PAGE 22 FOR ANCHOR SCHEDULE NOTES

ANCHOR SCHEDULE: TRAP MOUNT, SPANS 156"-236", ≥5/16"Ø FASTENERS

C:\Users\rickn\Engineering\Express\Production - Documents\Projects\20-32431 QMI QOM 3-AL8 Family Drawing\WP2020\FBC\20-32431h-QOM3 - AL8.dwg 10/18/2021 - 12:09pm rickn

SLAT SPAN	DESIGN PRESSURE	Rx	Ry	3/8" ELCO / DEWALT CONIFLEX	3/8" DEWALT SCREW BOLT+	3/8" ELCO / DEWALT CONIFLEX	3/8" DEWALT SCREW BOLT+	3/8" HILTI KH-EZ	3/8" HILTI KH-EZ	5/16" DEWALT ULTRACON	3/8" DEWALT SCREW BOLT+	5/16" ITW TAPCON XL	5/16" ITW TAPCON XL	3/8" ELCO TAPFLEX	5/16" ELCO DRIL-FLEX	5/16" (410 SS) DRILL POINT SCREW	5/16" (410 SS) DRILL POINT SCREW	#20 (0.32") WOOD SCREW	
				CONCRETE	CONCRETE	CONCRETE	CONCRETE	CONCRETE	CONCRETE	CONCRETE	CONCRETE	CONCRETE	GFB	GFB	HOLLOW BLOCK	1/4" ALUM. OR STEEL	1/4" STEEL	1/4" STEEL	1/4" ALUM.
				4510 PSI	3000 PSI	1819 PSI	3000 PSI	3000 PSI	3000 PSI	3500 PSI	ASTM C90	ASTM C90	ASTM C90	6061-T6 OR A36	A36	A36	6063-T6	G=0.55	
				EMBED: 3.50"	EMBED: 3.25"	EMBED: 3.50"	EMBED: 3.25"	EMBED: 3.25"	EMBED: 3.25"	EMBED: 2.00"	EMBED: 3.25"	EMBED: 2.25"	EMBED: 1.75"	-	-	-	-	EMBED: 4.00"	
				EDGE= 3.75"	EDGE= 5.00"	EDGE= 3.75"	EDGE= 4.00"	EDGE= 5.00"	EDGE= 4.00"	EDGE= 3.13"	EDGE= 5.00"	EDGE= 4.00"	EDGE= 4.00"	EDGE= 0.75"	EDGE= 0.75"	EDGE= 0.75"	EDGE= 0.63"	EDGE= 1.50"	
156"	+/- 20 PSF	538 LB/FT	130 LB/FT	6.0"	6.0"	6.0"	6.0"	6.0"	6.0"	6.0"	6.0"	6.0"	5.2"	6.0"	6.0"	6.0"	6.0"	6.0"	
	+/- 30 PSF	871 LB/FT	195 LB/FT	6.0"	6.0"	6.0"	6.0"	6.0"	6.0"	6.0"	6.0"	6.0"	6.0"	6.0"	6.0"	6.0"	6.0"	6.0"	
	+/- 40 PSF	1205 LB/FT	260 LB/FT	6.0"	6.0"	6.0"	6.0"	6.0"	6.0"	6.0"	6.0"	6.0"	6.0"	6.0"	6.0"	6.0"	6.0"	6.0"	
	+/- 50 PSF	1538 LB/FT	325 LB/FT	6.0"	6.0"	6.0"	6.0"	6.0"	6.0"	6.0"	6.0"	6.0"	6.0"	6.0"	6.0"	6.0"	6.0"	6.0"	
	+/- 60 PSF	1872 LB/FT	390 LB/FT	6.0"	6.0"	6.0"	6.0"	6.0"	6.0"	6.0"	6.0"	6.0"	6.0"	6.0"	6.0"	6.0"	6.0"	6.0"	
	+/- 70 PSF	2205 LB/FT	455 LB/FT	6.0"	6.0"	6.0"	6.0"	6.0"	6.0"	6.0"	6.0"	6.0"	6.0"	6.0"	6.0"	6.0"	6.0"	6.0"	
	+/- 80 PSF	2538 LB/FT	520 LB/FT	6.0"	6.0"	6.0"	6.0"	6.0"	6.0"	6.0"	6.0"	6.0"	6.0"	6.0"	6.0"	6.0"	6.0"	6.0"	
	+/- 90 PSF	2872 LB/FT	585 LB/FT	6.0"	6.0"	6.0"	6.0"	6.0"	6.0"	6.0"	6.0"	6.0"	6.0"	6.0"	6.0"	6.0"	6.0"	6.0"	
	+/- 100 PSF	3205 LB/FT	650 LB/FT	6.0"	6.0"	6.0"	6.0"	6.0"	6.0"	6.0"	6.0"	6.0"	6.0"	6.0"	6.0"	6.0"	6.0"	6.0"	
	+/- 110 PSF	3539 LB/FT	715 LB/FT	6.0"	6.0"	6.0"	6.0"	6.0"	6.0"	6.0"	6.0"	6.0"	6.0"	6.0"	6.0"	6.0"	6.0"	6.0"	
	+/- 120 PSF	3872 LB/FT	780 LB/FT	6.0"	6.0"	6.0"	6.0"	6.0"	6.0"	6.0"	6.0"	6.0"	6.0"	6.0"	6.0"	6.0"	6.0"	6.0"	
	+/- 124.7 PSF	4029 LB/FT	811 LB/FT	6.0"	6.0"	6.0"	6.0"	6.0"	6.0"	6.0"	6.0"	6.0"	6.0"	6.0"	6.0"	6.0"	6.0"	6.0"	
168"	+/- 20 PSF	635 LB/FT	140 LB/FT	6.0"	6.0"	6.0"	6.0"	6.0"	6.0"	6.0"	6.0"	6.0"	4.5"	6.0"	6.0"	6.0"	6.0"	6.0"	
	+/- 30 PSF	1007 LB/FT	210 LB/FT	6.0"	6.0"	6.0"	6.0"	6.0"	6.0"	6.0"	6.0"	6.0"	6.0"	6.0"	6.0"	6.0"	6.0"	6.0"	
	+/- 40 PSF	1380 LB/FT	280 LB/FT	6.0"	6.0"	6.0"	6.0"	6.0"	6.0"	6.0"	6.0"	6.0"	6.0"	6.0"	6.0"	6.0"	6.0"	6.0"	
	+/- 50 PSF	1753 LB/FT	350 LB/FT	6.0"	6.0"	6.0"	6.0"	6.0"	6.0"	6.0"	6.0"	6.0"	6.0"	6.0"	6.0"	6.0"	6.0"	6.0"	
	+/- 60 PSF	2126 LB/FT	420 LB/FT	6.0"	6.0"	6.0"	6.0"	6.0"	6.0"	6.0"	6.0"	6.0"	6.0"	6.0"	6.0"	6.0"	6.0"	6.0"	
	+/- 70 PSF	2499 LB/FT	490 LB/FT	6.0"	6.0"	6.0"	6.0"	6.0"	6.0"	6.0"	6.0"	6.0"	6.0"	6.0"	6.0"	6.0"	6.0"	6.0"	
	+/- 80 PSF	2872 LB/FT	560 LB/FT	6.0"	6.0"	6.0"	6.0"	6.0"	6.0"	6.0"	6.0"	6.0"	6.0"	6.0"	6.0"	6.0"	6.0"	6.0"	
	+/- 90 PSF	3244 LB/FT	630 LB/FT	6.0"	6.0"	6.0"	6.0"	6.0"	6.0"	6.0"	6.0"	6.0"	6.0"	6.0"	6.0"	6.0"	6.0"	6.0"	
	+/- 100 PSF	3617 LB/FT	700 LB/FT	6.0"	6.0"	6.0"	6.0"	6.0"	6.0"	6.0"	6.0"	6.0"	6.0"	6.0"	6.0"	6.0"	6.0"	6.0"	
	+/- 110 PSF	3990 LB/FT	770 LB/FT	6.0"	6.0"	6.0"	6.0"	6.0"	6.0"	6.0"	6.0"	6.0"	6.0"	6.0"	6.0"	6.0"	6.0"	6.0"	
	+/- 112.1 PSF	4068 LB/FT	785 LB/FT	6.0"	6.0"	6.0"	6.0"	6.0"	6.0"	6.0"	6.0"	6.0"	6.0"	6.0"	6.0"	6.0"	6.0"	6.0"	
	180"	+/- 10 PSF	317 LB/FT	75 LB/FT	6.0"	6.0"	6.0"	6.0"	6.0"	6.0"	6.0"	6.0"	6.0"	6.0"	6.0"	6.0"	6.0"	6.0"	6.0"
+/- 20 PSF		731 LB/FT	150 LB/FT	6.0"	6.0"	6.0"	6.0"	6.0"	6.0"	6.0"	6.0"	6.0"	6.0"	6.0"	6.0"	6.0"	6.0"	6.0"	
+/- 30 PSF		1144 LB/FT	225 LB/FT	6.0"	6.0"	6.0"	6.0"	6.0"	6.0"	6.0"	6.0"	6.0"	6.0"	6.0"	6.0"	6.0"	6.0"	6.0"	
+/- 40 PSF		1558 LB/FT	300 LB/FT	6.0"	6.0"	6.0"	6.0"	6.0"	6.0"	6.0"	6.0"	6.0"	6.0"	6.0"	6.0"	6.0"	6.0"	6.0"	
+/- 50 PSF		1972 LB/FT	375 LB/FT	6.0"	6.0"	6.0"	6.0"	6.0"	6.0"	6.0"	6.0"	6.0"	6.0"	6.0"	6.0"	6.0"	6.0"	6.0"	
+/- 60 PSF		2386 LB/FT	450 LB/FT	6.0"	6.0"	6.0"	6.0"	6.0"	6.0"	6.0"	6.0"	6.0"	6.0"	6.0"	6.0"	6.0"	6.0"	6.0"	
+/- 70 PSF		2799 LB/FT	525 LB/FT	6.0"	6.0"	6.0"	6.0"	6.0"	6.0"	6.0"	6.0"	6.0"	6.0"	6.0"	6.0"	6.0"	6.0"	6.0"	
+/- 80 PSF		3213 LB/FT	600 LB/FT	6.0"	6.0"	6.0"	6.0"	6.0"	6.0"	6.0"	6.0"	6.0"	6.0"	6.0"	6.0"	6.0"	6.0"	6.0"	
+/- 90 PSF		3627 LB/FT	675 LB/FT	6.0"	6.0"	6.0"	6.0"	6.0"	6.0"	6.0"	6.0"	6.0"	6.0"	6.0"	6.0"	6.0"	6.0"	6.0"	
+/- 100 PSF		4040 LB/FT	750 LB/FT	6.0"	6.0"	6.0"	6.0"	6.0"	6.0"	6.0"	6.0"	6.0"	6.0"	6.0"	6.0"	6.0"	6.0"	6.0"	
+/- 101.7 PSF		4111 LB/FT	763 LB/FT	6.0"	6.0"	6.0"	6.0"	6.0"	6.0"	6.0"	6.0"	6.0"	6.0"	6.0"	6.0"	6.0"	6.0"	6.0"	
192"		+/- 10 PSF	371 LB/FT	80 LB/FT	6.0"	6.0"	6.0"	6.0"	6.0"	6.0"	6.0"	6.0"	6.0"	6.0"	6.0"	6.0"	6.0"	6.0"	6.0"
	+/- 20 PSF	827 LB/FT	160 LB/FT	6.0"	6.0"	6.0"	6.0"	6.0"	6.0"	6.0"	6.0"	6.0"	6.0"	6.0"	6.0"	6.0"	6.0"	6.0"	
	+/- 30 PSF	1283 LB/FT	240 LB/FT	6.0"	6.0"	6.0"	6.0"	6.0"	6.0"	6.0"	6.0"	6.0"	6.0"	6.0"	6.0"	6.0"	6.0"	6.0"	
	+/- 40 PSF	1739 LB/FT	320 LB/FT	6.0"	6.0"	6.0"	6.0"	6.0"	6.0"	6.0"	6.0"	6.0"	6.0"	6.0"	6.0"	6.0"	6.0"	6.0"	
	+/- 50 PSF	2195 LB/FT	400 LB/FT	6.0"	6.0"	6.0"	6.0"	6.0"	6.0"	6.0"	6.0"	6.0"	6.0"	6.0"	6.0"	6.0"	6.0"	6.0"	
	+/- 60 PSF	2651 LB/FT	480 LB/FT	6.0"	6.0"	6.0"	6.0"	6.0"	6.0"	6.0"	6.0"	6.0"	6.0"	6.0"	6.0"	6.0"	6.0"	6.0"	
	+/- 70 PSF	3107 LB/FT	560 LB/FT	6.0"	6.0"	6.0"	6.0"	6.0"	6.0"	6.0"	6.0"	6.0"	6.0"	6.0"	6.0"	6.0"	6.0"	6.0"	
	+/- 80 PSF	3563 LB/FT	640 LB/FT	6.0"	6.0"	6.0"	6.0"	6.0"	6.0"	6.0"	6.0"	6.0"	6.0"	6.0"	6.0"	6.0"	6.0"	6.0"	
	+/- 90 PSF	4019 LB/FT	720 LB/FT	6.0"	6.0"	6.0"	6.0"	6.0"	6.0"	6.0"	6.0"	6.0"	6.0"	6.0"	6.0"	6.0"	6.0"	6.0"	
	+/- 92.9 PSF	4151 LB/FT	743 LB/FT	6.0"	6.0"	6.0"	6.0"	6.0"	6.0"	6.0"	6.0"	6.0"	6.0"	6.0"	6.0"	6.0"	6.0"	6.0"	
	204"	+/- 10 PSF	424 LB/FT	85 LB/FT	6.0"	6.0"	6.0"	6.0"	6.0"	6.0"	6.0"	6.0"	6.0"	6.0"	6.0"	6.0"	6.0"	6.0"	6.0"
		+/- 20 PSF	924 LB/FT	170 LB/FT	6.0"	6.0"	6.0"	6.0"	6.0"	6.0"	6.0"	6.0"	6.0"	6.0"	6.0"	6.0"	6.0"	6.0"	6.0"
+/- 30 PSF		1423 LB/FT	255 LB/FT	6.0"	6.0"	6.0"	6.0"	6.0"	6.0"	6.0"	6.0"	6.0"	6.0"	6.0"	6.0"	6.0"	6.0"	6.0"	
+/- 40 PSF		1923 LB/FT	340 LB/FT	6.0"	6.0"	6.0"	6.0"	6.0"	6.0"	6.0"	6.0"	6.0"	6.0"	6.0"	6.0"	6.0"	6.0"	6.0"	
+/- 50 PSF		2423 LB/FT	425 LB/FT	6.0"	6.0"	6.0"	6.0"	6.0"	6.0"	6.0"	6.0"	6.0"	6.0"	6.0"	6.0"	6.0"	6.0"	6.0"	
+/- 60 PSF		2922 LB/FT	510 LB/FT	6.0"	6.0"	6.0"	6.0"	6.0"	6.0"	6.0"	6.0"	6.0"	6.0"	6.0"	6.0"	6.0"	6.0"	6.0"	
+/- 70 PSF		3422 LB/FT	595 LB/FT	6.0"	6.0"	6.0"	6.0"	6.0"	6.0"	6.0"	6.0"	6.0"	6.0"	6.0"	6.0"	6.0"	6.0"	6.0"	
+/- 80 PSF		3922 LB/FT	680 LB/FT	6.0"	6.0"	6.0"	6.0"	6.0"	6.0"	6.0"	6.0"	6.0"	6.0"	6.0"	6.0"	6.0"	6.0"	6.0"	
+/- 85.4 PSF		4192 LB/FT	726 LB/FT	6.0"	6.0"	6.0"	6.0"	6.0"	6.0"	6.0"	6.0"	6.0"	6.0"	6.0"	6.0"	6.0"	6.0"	6.0"	
216"		+/- 10 PSF	477 LB/FT	90 LB/FT	6.0"	6.0"	6.0"	6.0"	6.0"	6.0"	6.0"	6.0"	6.0"	6.0"	6.0"	6.0"	6.0"	6.0"	6.0"
		+/- 20 PSF	1022 LB/FT	180 LB/FT	6.0"	6.0"	6.0"	6.0"	6.0"	6.0"	6.0"	6.0"	6.0"	6.0"	6.0"	6.0"	6.0"	6.0"	6.0"
		+/- 30 PSF	1566 LB/FT	270 LB/FT	6.0"	6.0"	6.0"	6.0"	6.0"	6.0"	6.0"	6.0"	6.0"	6.0"	6.0"	6.0"	6.0"	6.0"	6.0"
	+/- 40 PSF	2111 LB/FT	360 LB/FT	6.0"	6.0"	6.0"	6.0"	6.0"	6.0"	6.0"	6.0"	6.0"	6.0"	6.0"	6.0"	6.0"	6.0"	6.0"	
	+/- 50 PSF	2656 LB/FT	450 LB/FT	6.0"	6.0"	6.0"	6.0"	6.0"	6.0"	6.0"	6.0"	6.0"	6.0"	6.0"	6.0"	6.0"	6.0"	6.0"	
	+/- 60 PSF	3200 LB/FT	540 LB/FT	6.0"	6.0"	6.0"	6.0"	6.0"	6.0"	6.0"	6.0"	6.0"	6.0"	6.0"	6.0"	6.0"	6.0"	6.0"	
	+/- 70 PSF	3745 LB/FT	630 LB/FT	6.0"	6.0"	6.0"	6.0"	6.0"	6.0"	6.0"	6.0"	6.0"	6.0"	6.0"	6.0"	6.0"	6.0"		
	+/- 79 PSF	4235 LB/FT	711 LB/FT	6.0"	6.0"	6.0"	6.0"	6.0"	6.0"	6.0"	6.0"	6.0"	6.0"	6.0"	6.0"	6.0"	6.0"		
	228"	+/- 10 PSF	530 LB/FT	95 LB/FT	6.0"	6.0"	6.												

MULLION SCHEDULE: INTERMEDIATE MULLIONS



INTERMEDIATE MULLION SCHEDULES

SLAT SPAN	DESIGN PRESSURE	4"x4"x0.1875" ALUM TUBE		4"x4"x0.25" ALUM TUBE		4"x6"x0.25" ALUM TUBE		4"x8"x0.25" ALUM TUBE		
		MAX MULLION LENGTH	END REACTION Rt	MAX MULLION LENGTH	END REACTION Rt	MAX MULLION LENGTH	END REACTION Rt	MAX MULLION LENGTH	END REACTION Rt	
48"	+/- 40 PSF	131"	873 LB	142"	946 LB	144"	960 LB	144"	960 LB	
	+/- 50 PSF	122"	1013 LB	132"	1097 LB	144"	1200 LB	144"	1200 LB	
	+/- 60 PSF	114"	1144 LB	124"	1239 LB	144"	1440 LB	144"	1440 LB	
	+/- 70 PSF	109"	1267 LB	118"	1373 LB	144"	1680 LB	144"	1680 LB	
	+/- 80 PSF	104"	1385 LB	113"	1501 LB	144"	1920 LB	144"	1920 LB	
	+/- 90 PSF	100"	1498 LB	108"	1624 LB	144"	2160 LB	144"	2160 LB	
	+/- 100 PSF	96"	1607 LB	105"	1742 LB	144"	2400 LB	144"	2400 LB	
	+/- 110 PSF	93"	1713 LB	101"	1856 LB	140"	2571 LB	144"	2640 LB	
	+/- 120 PSF	91"	1815 LB	98"	1967 LB	136"	2725 LB	144"	2880 LB	
	+/- 130 PSF	88"	1915 LB	96"	2075 LB	133"	2874 LB	144"	3120 LB	
	+/- 140 PSF	86"	2012 LB	93"	2180 LB	129"	3020 LB	144"	3360 LB	
	+/- 190 PSF	78"	2466 LB	84"	2672 LB	117"	3701 LB	144"	4560 LB	
	+/- 246.7 PSF	71"	2935 LB	77"	3180 LB	107"	4405 LB	136"	5577 LB	
	60"	+/- 40 PSF	122"	1013 LB	132"	1097 LB	144"	1200 LB	144"	1200 LB
+/- 50 PSF		113"	1175 LB	122"	1273 LB	144"	1500 LB	144"	1500 LB	
+/- 60 PSF		106"	1327 LB	115"	1438 LB	144"	1800 LB	144"	1800 LB	
+/- 70 PSF		101"	1471 LB	109"	1593 LB	144"	2100 LB	144"	2100 LB	
+/- 80 PSF		96"	1607 LB	105"	1742 LB	144"	2400 LB	144"	2400 LB	
+/- 90 PSF		93"	1739 LB	100"	1884 LB	139"	2610 LB	144"	2700 LB	
+/- 100 PSF		90"	1865 LB	97"	2021 LB	134"	2800 LB	144"	3000 LB	
+/- 110 PSF		87"	1988 LB	94"	2154 LB	130"	2984 LB	144"	3300 LB	
+/- 120 PSF		84"	2106 LB	91"	2282 LB	126"	3162 LB	144"	3600 LB	
+/- 130 PSF		82"	2222 LB	89"	2408 LB	123"	3335 LB	144"	3900 LB	
+/- 140 PSF		80"	2334 LB	87"	2530 LB	120"	3504 LB	144"	4200 LB	
+/- 170 PSF		75"	2657 LB	81"	2879 LB	113"	3988 LB	143"	5049 LB	
+/- 214.3 PSF		69"	3101 LB	75"	3360 LB	104"	4654 LB	132"	5892 LB	
72"		+/- 40 PSF	114"	1144 LB	124"	1239 LB	144"	1440 LB	144"	1440 LB
	+/- 50 PSF	106"	1327 LB	115"	1438 LB	144"	1800 LB	144"	1800 LB	
	+/- 60 PSF	100"	1498 LB	108"	1624 LB	144"	2160 LB	144"	2160 LB	
	+/- 70 PSF	95"	1661 LB	103"	1799 LB	142"	2493 LB	144"	2520 LB	
	+/- 80 PSF	91"	1815 LB	98"	1967 LB	136"	2725 LB	144"	2880 LB	
	+/- 90 PSF	87"	1964 LB	95"	2128 LB	131"	2947 LB	144"	3240 LB	
	+/- 100 PSF	84"	2106 LB	91"	2282 LB	126"	3162 LB	144"	3600 LB	
	+/- 110 PSF	82"	2245 LB	88"	2432 LB	123"	3369 LB	144"	3960 LB	
	+/- 120 PSF	79"	2379 LB	86"	2577 LB	119"	3570 LB	144"	4320 LB	
	+/- 130 PSF	77"	2509 LB	84"	2719 LB	116"	3766 LB	144"	4680 LB	
	+/- 140 PSF	75"	2636 LB	82"	2856 LB	113"	3957 LB	143"	5009 LB	
	+/- 160 PSF	72"	2882 LB	78"	3122 LB	108"	4325 LB	137"	5476 LB	
	+/- 213.3 PSF	65"	3491 LB	71"	3782 LB	98"	5240 LB	124"	6633 LB	
	84"	+/- 40 PSF	109"	1267 LB	118"	1373 LB	144"	1680 LB	144"	1680 LB
+/- 50 PSF		101"	1471 LB	109"	1593 LB	144"	2100 LB	144"	2100 LB	
+/- 60 PSF		95"	1661 LB	103"	1799 LB	142"	2493 LB	144"	2520 LB	
+/- 70 PSF		90"	1840 LB	98"	1994 LB	135"	2762 LB	144"	2940 LB	
+/- 80 PSF		86"	2012 LB	93"	2180 LB	129"	3020 LB	144"	3360 LB	
+/- 100 PSF		83"	2176 LB	90"	2358 LB	124"	3266 LB	144"	3780 LB	
+/- 110 PSF		80"	2334 LB	87"	2530 LB	120"	3504 LB	144"	4200 LB	
+/- 120 PSF		78"	2488 LB	84"	2695 LB	116"	3734 LB	144"	4620 LB	
+/- 130 PSF		75"	2636 LB	82"	2856 LB	113"	3957 LB	143"	5009 LB	
+/- 140 PSF		73"	2781 LB	79"	3013 LB	110"	4174 LB	139"	5284 LB	
+/- 150 PSF		70"	3059 LB	76"	3315 LB	105"	4591 LB	133"	5813 LB	
+/- 187.0 PSF		65"	3543 LB	70"	3839 LB	98"	5318 LB	123"	6733 LB	
96"		+/- 30 PSF	114"	1144 LB	124"	1239 LB	144"	1440 LB	144"	1440 LB
		+/- 40 PSF	104"	1385 LB	113"	1501 LB	144"	1920 LB	144"	1920 LB
	+/- 50 PSF	96"	1607 LB	105"	1742 LB	144"	2400 LB	144"	2400 LB	
	+/- 60 PSF	91"	1815 LB	98"	1967 LB	136"	2725 LB	144"	2880 LB	
	+/- 70 PSF	86"	2012 LB	93"	2180 LB	129"	3020 LB	144"	3360 LB	
	+/- 80 PSF	82"	2199 LB	89"	2383 LB	124"	3301 LB	144"	3840 LB	
	+/- 90 PSF	79"	2379 LB	86"	2577 LB	119"	3570 LB	144"	4320 LB	
	+/- 100 PSF	77"	2552 LB	83"	2765 LB	115"	3830 LB	144"	4800 LB	
	+/- 110 PSF	74"	2719 LB	80"	2946 LB	111"	4081 LB	141"	5167 LB	
	+/- 120 PSF	72"	2882 LB	78"	3122 LB	108"	4325 LB	137"	5476 LB	
	+/- 130 PSF	70"	3039 LB	76"	3294 LB	105"	4562 LB	133"	5776 LB	
	+/- 140 PSF	68"	3193 LB	74"	3460 LB	103"	4793 LB	130"	6068 LB	
	+/- 171.0 PSF	64"	3649 LB	69"	3954 LB	96"	5477 LB	122"	6934 LB	

MULLION SCHEDULE NOTES:

- VALUES SHOWN IN MULLION SCHEDULES ARE MAXIMUM ALLOWABLE MULLION LENGTHS AT EACH RESPECTIVE SLAT SPAN AND DESIGN PRESSURE.
- "INTERMEDIATE MULLIONS" ARE AS DEFINED IN ELEVATION 2/3.
- "END MULLIONS" ARE AS DEFINED IN ELEVATION 2/3.
- ALL MULLIONS SHALL BE 6061-T6 ALUMINUM OR EQUIVALENT.
- ALLOWABLE DESIGN PRESSURES AND SLAT SPANS INDICATED ARE FOR DETERMINING PERMISSIBLE MULLION LENGTHS ONLY. ACTUAL SLAT SPANS AND DESIGN PRESSURES SHALL NOT EXCEED THOSE INDICATED IN SPAN SCHEDULES.
- "END REACTIONS" ARE LISTED FOR EACH COMBINATION OF DESIGN LOAD, MULLION TYPE, SLAT TYPE (OPEN OR CLOSED) & SLAT SPAN. CHOOSE MOUNTING CONNECTIONS (PER APPLICABLE CONNECTION DETAILS HEREIN) THAT PROVIDES "CONNECTION CAPACITY" GREATER THAN OR EQUAL TO "END REACTIONS" GIVEN ABOVE.
- "INTERMEDIATE MULLIONS" SHALL HAVE EQUAL SLAT SPANS (+/- 12") ON ADJACENT SIDES OF MULLION. OTHERWISE, USE "END MULLION" TABLES.

RICHARD NEET, P.E.
PE# 86488 CA# 9865



POSTAL ADDRESS:
401 W. ATLANTIC AVE R10 #219
DELRAY BEACH, FL 33444
ENGINEERINGEXPRESS.COM

QMI SECURITY SOLUTIONS

1661 GLENLAKE AVE.
ITASCA, IL 60143
PHONE: (866) 980-1750

QOM3 - AL8 ROLL-UP SHUTTER
FLORIDA BUILDING CODE SEVENTH ED (2020)
PRODUCT APPROVAL #FL 39156.1

REMARKS	DRWN	CHKD	DATE
INIT ISSUE	RWN	RWN	6/11/2021
REV - ADDL OPTIONS	RWN	RWN	8/15/2021
REV - ADDL OPTIONS	RWN	RWN	10/14/2021

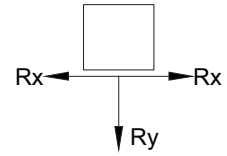
COPYRIGHT ENGINEERING EXPRESS®

20-32431

SCALE: NTS UNLESS NOTED

OF 30
23

MULLION
SCHEDULE:
INTERMEDIATE
MULLIONS



INTERMEDIATE MULLION SCHEDULES

SLAT SPAN	DESIGN PRESSURE	4"x4"x0.1875" ALUM TUBE		4"x4"x0.25" ALUM TUBE		4"x6"x0.25" ALUM TUBE		4"x8"x0.25" ALUM TUBE		
		MAX MULLION LENGTH	END REACTION Rt	MAX MULLION LENGTH	END REACTION Rt	MAX MULLION LENGTH	END REACTION Rt	MAX MULLION LENGTH	END REACTION Rt	
108"	+/- 30 PSF	110"	1237 LB	119"	1340 LB	144"	1620 LB	144"	1620 LB	
	+/- 40 PSF	100"	1498 LB	108"	1624 LB	144"	2160 LB	144"	2160 LB	
	+/- 50 PSF	93"	1739 LB	100"	1884 LB	139"	2610 LB	144"	2700 LB	
	+/- 60 PSF	87"	1964 LB	95"	2128 LB	131"	2947 LB	144"	3240 LB	
	+/- 70 PSF	83"	2176 LB	90"	2358 LB	124"	3266 LB	144"	3780 LB	
	+/- 80 PSF	79"	2379 LB	86"	2577 LB	119"	3570 LB	144"	4320 LB	
	+/- 90 PSF	76"	2573 LB	83"	2788 LB	114"	3862 LB	144"	4860 LB	
	+/- 100 PSF	74"	2760 LB	80"	2991 LB	110"	4143 LB	140"	5245 LB	
	+/- 110 PSF	71"	2941 LB	77"	3187 LB	107"	4415 LB	135"	5589 LB	
	+/- 120 PSF	69"	3117 LB	75"	3377 LB	104"	4678 LB	132"	5923 LB	
	+/- 130 PSF	67"	3288 LB	73"	3563 LB	101"	4935 LB	128"	6247 LB	
	+/- 140 PSF	66"	3454 LB	71"	3743 LB	99"	5185 LB	125"	6564 LB	
	+/- 160.0 PSF	63"	3776 LB	68"	4091 LB	94"	5668 LB	120"	7175 LB	
	120"	+/- 30 PSF	106"	1327 LB	115"	1438 LB	144"	1800 LB	144"	1800 LB
+/- 40 PSF		96"	1607 LB	105"	1742 LB	144"	2400 LB	144"	2400 LB	
+/- 50 PSF		90"	1865 LB	97"	2021 LB	134"	2800 LB	144"	3000 LB	
+/- 60 PSF		84"	2106 LB	91"	2282 LB	126"	3162 LB	144"	3600 LB	
+/- 70 PSF		80"	2334 LB	87"	2530 LB	120"	3504 LB	144"	4200 LB	
+/- 80 PSF		77"	2552 LB	83"	2765 LB	115"	3830 LB	144"	4800 LB	
+/- 90 PSF		74"	2760 LB	80"	2991 LB	110"	4143 LB	140"	5245 LB	
+/- 100 PSF		71"	2961 LB	77"	3209 LB	107"	4445 LB	135"	5627 LB	
+/- 110 PSF		69"	3155 LB	75"	3419 LB	103"	4736 LB	131"	5996 LB	
+/- 120 PSF		67"	3344 LB	72"	3623 LB	100"	5019 LB	127"	6354 LB	
+/- 130 PSF		65"	3527 LB	71"	3822 LB	98"	5294 LB	124"	6702 LB	
+/- 140 PSF		64"	3706 LB	69"	4015 LB	95"	5562 LB	121"	7042 LB	
+/- 152.0 PSF		62"	3914 LB	67"	4242 LB	93"	5876 LB	117"	7438 LB	
132"		+/- 30 PSF	103"	1414 LB	111"	1532 LB	144"	1980 LB	144"	1980 LB
	+/- 40 PSF	93"	1713 LB	101"	1856 LB	140"	2571 LB	144"	2640 LB	
	+/- 50 PSF	87"	1988 LB	94"	2154 LB	130"	2984 LB	144"	3300 LB	
	+/- 60 PSF	82"	2245 LB	88"	2432 LB	123"	3369 LB	144"	3960 LB	
	+/- 70 PSF	78"	2488 LB	84"	2695 LB	116"	3734 LB	144"	4620 LB	
	+/- 80 PSF	74"	2719 LB	80"	2946 LB	111"	4081 LB	141"	5167 LB	
	+/- 90 PSF	71"	2941 LB	77"	3187 LB	107"	4415 LB	135"	5589 LB	
	+/- 100 PSF	69"	3155 LB	75"	3419 LB	103"	4736 LB	131"	5996 LB	
	+/- 110 PSF	67"	3362 LB	72"	3643 LB	100"	5047 LB	127"	6389 LB	
	+/- 120 PSF	65"	3563 LB	70"	3861 LB	97"	5348 LB	123"	6771 LB	
	+/- 130 PSF	63"	3758 LB	68"	4073 LB	95"	5641 LB	120"	7142 LB	
	+/- 145.4 PSF	61"	4050 LB	66"	4388 LB	91"	6078 LB	115"	7695 LB	
	144"	+/- 20 PSF	114"	1144 LB	124"	1239 LB	144"	1440 LB	144"	1440 LB
		+/- 30 PSF	100"	1498 LB	108"	1624 LB	144"	2160 LB	144"	2160 LB
+/- 40 PSF		91"	1815 LB	98"	1967 LB	136"	2725 LB	144"	2880 LB	
+/- 50 PSF		84"	2106 LB	91"	2282 LB	126"	3162 LB	144"	3600 LB	
+/- 60 PSF		79"	2379 LB	86"	2577 LB	119"	3570 LB	144"	4320 LB	
+/- 70 PSF		75"	2636 LB	82"	2856 LB	113"	3957 LB	143"	5009 LB	
+/- 80 PSF		72"	2882 LB	78"	3122 LB	108"	4325 LB	137"	5476 LB	
+/- 90 PSF		69"	3117 LB	75"	3377 LB	104"	4678 LB	132"	5923 LB	
+/- 100 PSF		67"	3344 LB	72"	3623 LB	100"	5019 LB	127"	6354 LB	
+/- 110 PSF		65"	3563 LB	70"	3861 LB	97"	5348 LB	123"	6771 LB	
+/- 120 PSF		63"	3776 LB	68"	4091 LB	94"	5668 LB	120"	7175 LB	
+/- 130 PSF		61"	3983 LB	66"	4316 LB	92"	5978 LB	116"	7568 LB	
+/- 140.0 PSF		60"	4185 LB	65"	4534 LB	90"	6281 LB	114"	7952 LB	

RICHARD NEET, P.E.
PE# 86488 CA# 9865



POSTAL ADDRESS:
401 W. ATLANTIC AVE R10 #219
DELRAY BEACH, FL 33444
ENGINEERINGEXPRESS.COM

QMI SECURITY SOLUTIONS

1661 GLENLAKE AVE.
ITASCA, IL 60143
PHONE: (866) 980-1750

QOM3 - AL8 ROLL-UP SHUTTER
FLORIDA BUILDING CODE SEVENTH ED (2020)
PRODUCT APPROVAL #FL 39156.1

REMARKS	DRWN	CHKD	DATE
INIT ISSUE	RWN	RWN	6/11/2021
REV - ADDL OPTIONS	RWN	RWN	8/15/2021
REV - ADDL OPTIONS	RWN	RWN	10/14/2021

COPYRIGHT ENGINEERING EXPRESS®

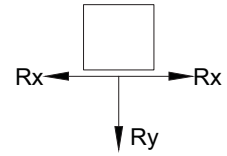
20-32431

SCALE: NTS UNLESS NOTED

24

OF 30

MULLION SCHEDULE: INTERMEDIATE MULLIONS



INTERMEDIATE MULLION SCHEDULES

SLAT SPAN	DESIGN PRESSURE	4"x4"x0.125" ALUM TUBE		4"x4"x0.25" ALUM TUBE		4"x6"x0.25" ALUM TUBE		4"x8"x0.25" ALUM TUBE		
		MAX MULLION LENGTH	END REACTION Rt	MAX MULLION LENGTH	END REACTION Rt	MAX MULLION LENGTH	END REACTION Rt	MAX MULLION LENGTH	END REACTION Rt	
156"	+/- 20 PSF	111"	1206 LB	121"	1307 LB	144"	1560 LB	144"	1560 LB	
	+/- 30 PSF	97"	1581 LB	105"	1713 LB	144"	2340 LB	144"	2340 LB	
	+/- 40 PSF	88"	1915 LB	96"	2075 LB	133"	2874 LB	144"	3120 LB	
	+/- 50 PSF	82"	2222 LB	89"	2408 LB	123"	3335 LB	144"	3900 LB	
	+/- 60 PSF	77"	2509 LB	84"	2719 LB	116"	3766 LB	144"	4680 LB	
	+/- 70 PSF	73"	2781 LB	79"	3013 LB	110"	4174 LB	139"	5284 LB	
	+/- 80 PSF	70"	3039 LB	76"	3294 LB	105"	4562 LB	133"	5776 LB	
	+/- 90 PSF	67"	3288 LB	73"	3563 LB	101"	4935 LB	128"	6247 LB	
	+/- 100 PSF	65"	3527 LB	71"	3822 LB	98"	5294 LB	124"	6702 LB	
	+/- 110 PSF	63"	3758 LB	68"	4073 LB	95"	5641 LB	120"	7142 LB	
+/- 124.7 PSF	60"	4086 LB	66"	4428 LB	91"	6133 LB	115"	7765 LB		
168"	+/- 20 PSF	109"	1267 LB	118"	1373 LB	144"	1680 LB	144"	1680 LB	
	+/- 30 PSF	95"	1661 LB	103"	1799 LB	142"	2493 LB	144"	2520 LB	
	+/- 40 PSF	86"	2012 LB	93"	2180 LB	129"	3020 LB	144"	3360 LB	
	+/- 50 PSF	80"	2334 LB	87"	2530 LB	120"	3504 LB	144"	4200 LB	
	+/- 60 PSF	75"	2636 LB	82"	2856 LB	113"	3957 LB	143"	5009 LB	
	+/- 70 PSF	72"	2921 LB	78"	3166 LB	107"	4385 LB	136"	5551 LB	
	+/- 80 PSF	68"	3193 LB	74"	3460 LB	103"	4793 LB	130"	6068 LB	
	+/- 90 PSF	66"	3454 LB	71"	3743 LB	99"	5185 LB	125"	6564 LB	
	+/- 100 PSF	64"	3706 LB	69"	4015 LB	95"	5562 LB	121"	7042 LB	
	+/- 112.1 PSF	61"	3999 LB	66"	4333 LB	92"	6002 LB	116"	7599 LB	
180"	+/- 20 PSF	106"	1327 LB	115"	1438 LB	144"	1800 LB	144"	1800 LB	
	+/- 30 PSF	93"	1739 LB	100"	1884 LB	139"	2610 LB	144"	2700 LB	
	+/- 40 PSF	84"	2106 LB	91"	2282 LB	126"	3162 LB	144"	3600 LB	
	+/- 50 PSF	78"	2444 LB	85"	2649 LB	117"	3669 LB	144"	4500 LB	
	+/- 60 PSF	74"	2760 LB	80"	2991 LB	110"	4143 LB	140"	5245 LB	
	+/- 70 PSF	70"	3059 LB	76"	3315 LB	105"	4591 LB	133"	5813 LB	
	+/- 80 PSF	67"	3344 LB	72"	3623 LB	100"	5019 LB	127"	6354 LB	
	+/- 90 PSF	64"	3617 LB	70"	3919 LB	97"	5429 LB	122"	6873 LB	
	+/- 101.7 PSF	62"	3924 LB	67"	4252 LB	93"	5890 LB	117"	7456 LB	
	192"	+/- 20 PSF	104"	1385 LB	113"	1501 LB	144"	1920 LB	144"	1920 LB
+/- 30 PSF		91"	1815 LB	98"	1967 LB	136"	2725 LB	144"	2880 LB	
+/- 40 PSF		82"	2199 LB	89"	2383 LB	124"	3301 LB	144"	3840 LB	
+/- 50 PSF		77"	2552 LB	83"	2765 LB	115"	3830 LB	144"	4800 LB	
+/- 60 PSF		72"	2882 LB	78"	3122 LB	108"	4325 LB	137"	5476 LB	
+/- 70 PSF		68"	3193 LB	74"	3460 LB	103"	4793 LB	130"	6068 LB	
+/- 80 PSF		65"	3491 LB	71"	3783 LB	98"	5240 LB	124"	6633 LB	
+/- 92.9 PSF		62"	3857 LB	67"	4179 LB	93"	5789 LB	118"	7328 LB	
204"		+/- 20 PSF	102"	1442 LB	110"	1563 LB	144"	2040 LB	144"	2040 LB
		+/- 30 PSF	89"	1890 LB	96"	2048 LB	134"	2837 LB	144"	3060 LB
	+/- 40 PSF	81"	2290 LB	88"	2481 LB	121"	3437 LB	144"	4080 LB	
	+/- 50 PSF	75"	2657 LB	81"	2879 LB	113"	3988 LB	143"	5049 LB	
	+/- 60 PSF	71"	3000 LB	76"	3251 LB	106"	4504 LB	134"	5701 LB	
	+/- 70 PSF	67"	3325 LB	73"	3603 LB	101"	4991 LB	127"	6318 LB	
216"	+/- 85.4 PSF	63"	3796 LB	68"	4114 LB	94"	5699 LB	119"	7214 LB	
	+/- 20 PSF	100"	1498 LB	108"	1624 LB	144"	2160 LB	144"	2160 LB	
	+/- 30 PSF	87"	1964 LB	95"	2128 LB	131"	2947 LB	144"	3240 LB	
	+/- 40 PSF	79"	2379 LB	86"	2577 LB	119"	3570 LB	144"	4320 LB	
	+/- 50 PSF	74"	2760 LB	80"	2991 LB	110"	4143 LB	140"	5245 LB	
	+/- 60 PSF	69"	3117 LB	75"	3377 LB	104"	4678 LB	132"	5923 LB	
228"	+/- 70 PSF	63"	3744 LB	68"	4057 LB	95"	5620 LB	120"	7115 LB	
	+/- 79.0 PSF	63"	3744 LB	68"	4057 LB	95"	5620 LB	120"	7115 LB	
	+/- 20 PSF	98"	1553 LB	106"	1683 LB	144"	2280 LB	144"	2280 LB	
	+/- 30 PSF	86"	2036 LB	93"	2206 LB	129"	3055 LB	144"	3420 LB	
	+/- 40 PSF	78"	2466 LB	84"	2672 LB	117"	3701 LB	144"	4560 LB	
	+/- 50 PSF	72"	2861 LB	78"	3101 LB	109"	4295 LB	137"	5437 LB	
236"	+/- 60 PSF	68"	3231 LB	74"	3501 LB	102"	4850 LB	129"	6140 LB	
	+/- 73.4 PSF	64"	3696 LB	69"	4005 LB	95"	5548 LB	121"	7023 LB	
	+/- 20 PSF	97"	1590 LB	105"	1722 LB	144"	2360 LB	144"	2360 LB	
	+/- 30 PSF	85"	2083 LB	92"	2257 LB	127"	3126 LB	144"	3540 LB	
	+/- 40 PSF	77"	2523 LB	83"	2734 LB	116"	3787 LB	144"	4720 LB	
	+/- 50 PSF	71"	2928 LB	77"	3173 LB	107"	4395 LB	136"	5564 LB	
236"	+/- 60 PSF	67"	3306 LB	73"	3583 LB	101"	4963 LB	128"	6283 LB	
	+/- 70.0 PSF	64"	3664 LB	69"	3971 LB	96"	5500 LB	121"	6963 LB	

C:\Users\rickn\Engineering\Express\Production - Documents\Projects\20-32431 QMI QOM 3-AL8 Family Drawing\WP\2020\FBC\20-32431h.QOM3 - AL8.dwg 10/18/2021 - 12:09pm rickn

RICHARD NEET, P.E.
PE# 86488 CA# 9865



POSTAL ADDRESS:
401 W. ATLANTIC AVE R10 #219
DELRAY BEACH, FL 33444
ENGINEERINGEXPRESS.COM

QMI SECURITY SOLUTIONS

1661 GLENLAKE AVE.
ITASCA, IL 60143
PHONE: (866) 980-1750

QOM3 - AL8 ROLL-UP SHUTTER
FLORIDA BUILDING CODE SEVENTH ED (2020)
PRODUCT APPROVAL #FL_39156.1

REMARKS	DRWN	CHKD	DATE
INIT ISSUE	RWN	RWN	6/11/2021
REV - ADDL OPTIONS	RWN	RWN	8/15/2021
REV - ADDL OPTIONS	RWN	RWN	10/14/2021

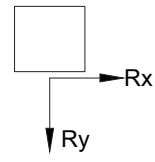
COPYRIGHT ENGINEERING EXPRESS®

20-32431

SCALE: NTS UNLESS NOTED

25 OF 30

MULLION
SCHEDULE:
END
MULLIONS



END MULLION SCHEDULES

RICHARD NEET, P.E.
PE# 86488 CA# 9865



POSTAL ADDRESS:
401 W. ATLANTIC AVE R10 #219
DELRAY BEACH, FL 33444
ENGINEERINGEXPRESS.COM

QMI SECURITY SOLUTIONS

1661 GLENLAKE AVE.
ITASCAL, IL 60143

PHONE: (866) 980-1750

QOM3 - AL8 ROLL-UP SHUTTER
FLORIDA BUILDING CODE SEVENTH ED (2020)
PRODUCT APPROVAL #FL 39156.1

REMARKS	DRWN	CHKD	DATE
INIT ISSUE	RWN	RWN	6/1/2021
REV - ADDL OPTIONS	RWN	RWN	8/15/2021
REV - ADDL OPTIONS	RWN	RWN	10/14/2021

COPYRIGHT ENGINEERING EXPRESS®

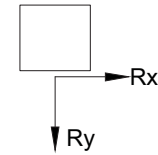
20-32431

SCALE: NTS UNLESS NOTED

26 OF 30

SLAT SPAN	DESIGN PRESSURE	4"x4"x0.1875" ALUM TUBE				4"x4"x0.25" ALUM TUBE				4"x6"x0.25" ALUM TUBE				4"x8"x0.25" ALUM TUBE			
		MAX MULLION LENGTH	END REACTION Rv	END REACTION Rt	END Rsum	MAX MULLION LENGTH	END REACTION Rv	END REACTION Rt	END Rsum	MAX MULLION LENGTH	END REACTION Rv	END REACTION Rt	END Rsum	MAX MULLION LENGTH	END REACTION Rv	END REACTION Rt	END Rsum
48"	+/- 40 PSF	144"	6 LB	480 LB	480 LB	144"	6 LB	480 LB	480 LB	144"	6 LB	480 LB	480 LB	144"	6 LB	480 LB	480 LB
	+/- 50 PSF	144"	6 LB	600 LB	600 LB	144"	6 LB	600 LB	600 LB	144"	6 LB	600 LB	600 LB	144"	6 LB	600 LB	600 LB
	+/- 60 PSF	144"	6 LB	720 LB	720 LB	144"	6 LB	720 LB	720 LB	144"	6 LB	720 LB	720 LB	144"	6 LB	720 LB	720 LB
	+/- 70 PSF	137"	6 LB	798 LB	798 LB	144"	6 LB	840 LB	840 LB	144"	6 LB	840 LB	840 LB	144"	6 LB	840 LB	840 LB
	+/- 80 PSF	131"	5 LB	873 LB	873 LB	142"	6 LB	946 LB	946 LB	144"	6 LB	960 LB	960 LB	144"	6 LB	960 LB	960 LB
	+/- 90 PSF	126"	5 LB	944 LB	944 LB	136"	6 LB	1023 LB	1023 LB	144"	6 LB	1080 LB	1080 LB	144"	6 LB	1080 LB	1080 LB
	+/- 100 PSF	122"	5 LB	1013 LB	1013 LB	132"	5 LB	1097 LB	1097 LB	144"	6 LB	1200 LB	1200 LB	144"	6 LB	1200 LB	1200 LB
	+/- 110 PSF	118"	5 LB	1079 LB	1079 LB	128"	5 LB	1169 LB	1169 LB	143"	6 LB	1308 LB	1308 LB	144"	6 LB	1320 LB	1320 LB
	+/- 120 PSF	114"	5 LB	1144 LB	1144 LB	124"	5 LB	1239 LB	1239 LB	139"	6 LB	1386 LB	1386 LB	144"	6 LB	1440 LB	1440 LB
	+/- 130 PSF	111"	5 LB	1206 LB	1206 LB	121"	5 LB	1307 LB	1307 LB	135"	6 LB	1462 LB	1462 LB	144"	6 LB	1560 LB	1560 LB
	+/- 140 PSF	109"	5 LB	1267 LB	1267 LB	118"	5 LB	1373 LB	1373 LB	132"	5 LB	1536 LB	1536 LB	143"	6 LB	1670 LB	1670 LB
	+/- 190 PSF	98"	4 LB	1553 LB	1553 LB	106"	4 LB	1683 LB	1683 LB	119"	5 LB	1882 LB	1882 LB	129"	5 LB	2047 LB	2047 LB
	+/- 246.7 PSF	90"	197 LB	1849 LB	1859 LB	97"	213 LB	2003 LB	2015 LB	109"	239 LB	2240 LB	2253 LB	118"	259 LB	2436 LB	2450 LB
	60"	+/- 40 PSF	144"	6 LB	600 LB	600 LB	144"	6 LB	600 LB	600 LB	144"	6 LB	600 LB	600 LB	144"	6 LB	600 LB
+/- 50 PSF		142"	6 LB	740 LB	740 LB	144"	6 LB	750 LB	750 LB	144"	6 LB	750 LB	750 LB	144"	6 LB	750 LB	750 LB
+/- 60 PSF		134"	6 LB	836 LB	836 LB	144"	6 LB	900 LB	900 LB	144"	6 LB	900 LB	900 LB	144"	6 LB	900 LB	900 LB
+/- 70 PSF		127"	5 LB	926 LB	926 LB	138"	6 LB	1004 LB	1004 LB	144"	6 LB	1050 LB	1050 LB	144"	6 LB	1050 LB	1050 LB
+/- 80 PSF		122"	5 LB	1013 LB	1013 LB	132"	5 LB	1097 LB	1097 LB	144"	6 LB	1200 LB	1200 LB	144"	6 LB	1200 LB	1200 LB
+/- 90 PSF		117"	5 LB	1095 LB	1095 LB	127"	5 LB	1187 LB	1187 LB	142"	6 LB	1327 LB	1327 LB	144"	6 LB	1350 LB	1350 LB
+/- 100 PSF		113"	5 LB	1175 LB	1175 LB	122"	5 LB	1273 LB	1273 LB	137"	6 LB	1424 LB	1424 LB	144"	6 LB	1500 LB	1500 LB
+/- 110 PSF		109"	40 LB	1252 LB	1253 LB	118"	43 LB	1357 LB	1358 LB	132"	48 LB	1517 LB	1518 LB	144"	53 LB	1650 LB	1651 LB
+/- 120 PSF		106"	385 LB	1327 LB	1382 LB	115"	418 LB	1438 LB	1497 LB	129"	467 LB	1608 LB	1674 LB	140"	508 LB	1748 LB	1820 LB
+/- 130 PSF		103"	713 LB	1400 LB	1571 LB	112"	772 LB	1517 LB	1702 LB	125"	863 LB	1696 LB	1903 LB	136"	939 LB	1844 LB	2069 LB
+/- 140 PSF		101"	1024 LB	1471 LB	1792 LB	109"	1110 LB	1593 LB	1942 LB	122"	1241 LB	1782 LB	2172 LB	133"	1349 LB	1937 LB	2361 LB
+/- 170 PSF		85"	1691 LB	1501 LB	2261 LB	96"	1907 LB	1693 LB	2550 LB	115"	2285 LB	2028 LB	3055 LB	125"	2484 LB	2205 LB	3322 LB
+/- 214.3 PSF		69"	2376 LB	1542 LB	2832 LB	78"	2680 LB	1739 LB	3195 LB	96"	3310 LB	2147 LB	3945 LB	112"	3855 LB	2501 LB	4595 LB
72"		+/- 40 PSF	144"	6 LB	720 LB	720 LB	144"	6 LB	720 LB	720 LB	144"	6 LB	720 LB	720 LB	144"	6 LB	720 LB
	+/- 50 PSF	134"	6 LB	836 LB	836 LB	144"	6 LB	900 LB	900 LB	144"	6 LB	900 LB	900 LB	144"	6 LB	900 LB	900 LB
	+/- 60 PSF	126"	130 LB	944 LB	953 LB	136"	141 LB	1023 LB	1033 LB	144"	149 LB	1080 LB	1090 LB	144"	149 LB	1080 LB	1090 LB
	+/- 70 PSF	120"	639 LB	1046 LB	1226 LB	130"	692 LB	1134 LB	1328 LB	144"	769 LB	1260 LB	1476 LB	144"	769 LB	1260 LB	1476 LB
	+/- 80 PSF	114"	1104 LB	1144 LB	1589 LB	124"	1196 LB	1239 LB	1722 LB	139"	1337 LB	1386 LB	1926 LB	144"	1390 LB	1440 LB	2001 LB
	+/- 90 PSF	102"	1428 LB	1151 LB	1834 LB	111"	1548 LB	1247 LB	1988 LB	133"	1860 LB	1499 LB	2389 LB	144"	2010 LB	1620 LB	2582 LB
	+/- 100 PSF	94"	1709 LB	1169 LB	2071 LB	101"	1852 LB	1267 LB	2244 LB	129"	2350 LB	1608 LB	2847 LB	140"	2555 LB	1748 LB	3096 LB
	+/- 110 PSF	86"	1948 LB	1187 LB	2281 LB	94"	2132 LB	1299 LB	2497 LB	120"	2709 LB	1650 LB	3172 LB	135"	3059 LB	1863 LB	3581 LB
	+/- 120 PSF	80"	2161 LB	1206 LB	2474 LB	89"	2396 LB	1337 LB	2743 LB	111"	2997 LB	1672 LB	3432 LB	130"	3482 LB	1943 LB	3987 LB
	+/- 130 PSF	76"	2355 LB	1227 LB	2656 LB	85"	2645 LB	1378 LB	2983 LB	105"	3262 LB	1699 LB	3678 LB	121"	3784 LB	1972 LB	4267 LB
	+/- 140 PSF	71"	2536 LB	1250 LB	2828 LB	81"	2861 LB	1410 LB	3190 LB	99"	3507 LB	1729 LB	3911 LB	115"	4066 LB	2004 LB	4533 LB
	+/- 160 PSF	65"	2866 LB	1299 LB	3146 LB	73"	3232 LB	1465 LB	3549 LB	90"	3955 LB	1793 LB	4342 LB	104"	4578 LB	2075 LB	5026 LB
	+/- 213.3 PSF	54"	3604 LB	1432 LB	3878 LB	61"	4065 LB	1616 LB	4374 LB	74"	4958 LB	1971 LB	5336 LB	85"	5728 LB	2277 LB	6164 LB
	84"	+/- 40 PSF	137"	476 LB	798 LB	929 LB	144"	501 LB	840 LB	978 LB	144"	501 LB	840 LB	978 LB	144"	501 LB	840 LB
+/- 50 PSF		119"	1060 LB	866 LB	1369 LB	129"	1148 LB	939 LB	1483 LB	144"	1285 LB	1050 LB	1659 LB	144"	1285 LB	1050 LB	1659 LB
+/- 60 PSF		101"	1456 LB	887 LB	1705 LB	110"	1578 LB	961 LB	1847 LB	144"	2069 LB	1260 LB	2422 LB	144"	2069 LB	1260 LB	2422 LB
+/- 70 PSF		91"	1804 LB	929 LB	2029 LB	99"	1955 LB	1007 LB	2199 LB	131"	2604 LB	1342 LB	2929 LB	144"	2853 LB	1470 LB	3209 LB
+/- 80 PSF		84"	2121 LB	980 LB	2336 LB	91"	2298 LB	1062 LB	2531 LB	118"	2985 LB	1379 LB	3288 LB	137"	3456 LB	1597 LB	3807 LB
+/- 90 PSF		79"	2412 LB	1031 LB	2623 LB	85"	2617 LB	1119 LB	2847 LB	108"	3324 LB	1421 LB	3615 LB	125"	3844 LB	1644 LB	4181 LB
+/- 100 PSF		73"	2640 LB	1065 LB	2846 LB	81"	2918 LB	1177 LB	3147 LB	101"	3633 LB	1466 LB	3917 LB	116"	4198 LB	1694 LB	4527 LB
+/- 110 PSF		69"	2849 LB	1099 LB	3054 LB	77"	3205 LB	1236 LB	3435 LB	94"	3918 LB	1511 LB	4199 LB	109"	4524 LB	1745 LB	4849 LB
+/- 120 PSF		65"	3045 LB	1133 LB	3249 LB	73"	3435 LB	1278 LB	3665 LB	89"	4184 LB	1557 LB	4464 LB	103"	4828 LB	1797 LB	5152 LB
+/- 130 PSF		62"	3229 LB	1167 LB	3434 LB	69"	3643 LB	1316 LB	3873 LB	84"	4434 LB	1602 LB	4714 LB	97"	5115 LB	1848 LB	5439 LB
+/- 140 PSF		59"	3404 LB	1200 LB	3609 LB	66"	3839 LB	1353 LB	4071 LB	81"	4671 LB	1646 LB	4952 LB	93"	5387 LB	1899 LB	5711 LB
+/- 150 PSF		56"	3570 LB	1232 LB	3777 LB	64"	4027 LB	1390 LB	4260 LB	77"	4896 LB	1690 LB	5180 LB	89"	5645 LB	1949 LB	5972 LB
+/- 187.0 PSF		49"	4127 LB	1348 LB	4341 LB	56"	4655 LB	1520 LB	4897 LB	68"	5654 LB	1846 LB	5948 LB	78"	6514 LB	2127 LB	6852 LB
96"		+/- 30 PSF	136"	809 LB	680 LB	1057 LB	144"	856 LB	720 LB	1119 LB	144"	856 LB	720 LB	1119 LB	144"	856 LB	720 LB
	+/- 40 PSF	106"	1335 LB	706 LB	1510 LB	115"	1447 LB	765 LB	1636 LB	144"	1816 LB	960 LB	2054 LB	144"	1816 LB	960 LB	2054 LB
	+/- 50 PSF	92"	1771 LB	766 LB	1930 LB	100"	1920 LB	830 LB	2091 LB	136"	2631 LB	1137 LB	2866 LB	144"	2776 LB	1200 LB	3025 LB
	+/- 60 PSF	83"	2159 LB	832 LB	2314 LB	90"	2340 LB	902 LB	2508 LB	119"	3095 LB	1193 LB	3317 LB	138"	3574 LB	1377 LB	3830 LB
	+/- 70 PSF	77"	2515 LB	900 LB	2671 LB	84"	2725 LB	975 LB	2894 LB	107"	3499 LB	1252 LB	3716 LB	124"	4036 LB	1444 LB	4287 LB
	+/- 80 PSF	72"	2817 LB	956 LB	2974 LB	79"	3085 LB	1047 LB	3258 LB	98"	3862 LB	1311 LB	4078 LB	113"	4452 LB	1511 LB	4701 LB
	+/- 90 PSF	67"	3061 LB	999 LB	3220 LB	75"	3425 LB	1118 LB	3603 LB	91"	4194 LB	1369 LB	4412 LB	105"	4832 LB	1577 LB	5082 LB
	+/- 100 PSF	62"	3288 LB	1041 LB	3449 LB	70"	3708 LB	1175 LB	3890 LB	86"	4501 LB	1426 LB	4722 LB	99"	5184 LB	1642 LB	5438 LB
	+/- 110 PSF	59"	3500 LB	1082 LB	3663 LB	67"	3948 LB	1221 LB	4132 LB	81"	4789 LB	1481					

MULLION
SCHEDULE:
END
MULLIONS



END MULLION SCHEDULES

RICHARD NEET, P.E.
PE# 86488 CA# 9865



POSTAL ADDRESS:
401 W. ATLANTIC AVE R10 #219
DELRAY BEACH, FL 33444
ENGINEERINGEXPRESS.COM

QMI SECURITY SOLUTIONS

1661 GLENLAKE AVE.
ITASCA, IL 60143

PHONE: (866) 980-1750

QOM3 - AL8 ROLL-UP SHUTTER
FLORIDA BUILDING CODE SEVENTH ED (2020)
PRODUCT APPROVAL #FL 39156.1

REMARKS	DRWN	CHKD	DATE
INIT ISSUE	C-SL	RWN	6/11/2021
REV - ADDL OPTIONS	RWN	RWN	8/15/2021
REV - ADDL OPTIONS	RWN	RWN	10/14/2021

COPYRIGHT ENGINEERING EXPRESS®

20-32431

SCALE: NTS UNLESS NOTED

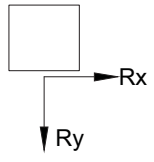
27 OF 30

SLAT SPAN	DESIGN PRESSURE	4"x4"x0.1875" ALUM TUBE				4"x4"x0.25" ALUM TUBE				4"x6"x0.25" ALUM TUBE				4"x8"x0.25" ALUM TUBE			
		MAX MULLION LENGTH	END REACTION Rv	END REACTION Rt	END REACTION Rsum	MAX MULLION LENGTH	END REACTION Rv	END REACTION Rt	END REACTION Rsum	MAX MULLION LENGTH	END REACTION Rv	END REACTION Rt	END REACTION Rsum	MAX MULLION LENGTH	END REACTION Rv	END REACTION Rt	END REACTION Rsum
108"	+/- 30 PSF	105"	1346 LB	593 LB	1471 LB	114"	1459 LB	642 LB	1594 LB	144"	1840 LB	810 LB	2010 LB	144"	1840 LB	810 LB	2010 LB
	+/- 40 PSF	90"	1860 LB	672 LB	1978 LB	97"	2016 LB	729 LB	2143 LB	134"	2787 LB	1008 LB	2964 LB	144"	2987 LB	1080 LB	3177 LB
	+/- 50 PSF	80"	2310 LB	754 LB	2430 LB	87"	2503 LB	817 LB	2633 LB	115"	3315 LB	1082 LB	3487 LB	133"	3819 LB	1247 LB	4018 LB
	+/- 60 PSF	74"	2720 LB	834 LB	2845 LB	80"	2947 LB	904 LB	3083 LB	103"	3771 LB	1156 LB	3944 LB	118"	4341 LB	1331 LB	4540 LB
	+/- 70 PSF	68"	3055 LB	898 LB	3185 LB	75"	3360 LB	988 LB	3502 LB	94"	4177 LB	1228 LB	4354 LB	108"	4806 LB	1413 LB	5009 LB
	+/- 80 PSF	63"	3328 LB	949 LB	3461 LB	71"	3749 LB	1069 LB	3898 LB	86"	4547 LB	1296 LB	4728 LB	99"	5230 LB	1491 LB	5438 LB
	+/- 90 PSF	59"	3580 LB	997 LB	3717 LB	67"	4039 LB	1125 LB	4192 LB	81"	4890 LB	1362 LB	5076 LB	93"	5622 LB	1566 LB	5836 LB
	+/- 100 PSF	56"	3816 LB	1044 LB	3956 LB	63"	4305 LB	1177 LB	4463 LB	76"	5210 LB	1425 LB	5401 LB	87"	5989 LB	1638 LB	6209 LB
	+/- 110 PSF	53"	4038 LB	1088 LB	4182 LB	60"	4555 LB	1228 LB	4717 LB	72"	5512 LB	1485 LB	5708 LB	83"	6335 LB	1707 LB	6561 LB
	+/- 120 PSF	50"	4249 LB	1131 LB	4397 LB	57"	4792 LB	1276 LB	4959 LB	69"	5797 LB	1544 LB	5999 LB	79"	6663 LB	1774 LB	6895 LB
	+/- 130 PSF	48"	4449 LB	1173 LB	4601 LB	54"	5018 LB	1323 LB	5190 LB	66"	6070 LB	1600 LB	6277 LB	75"	6975 LB	1839 LB	7213 LB
	+/- 140 PSF	46"	4641 LB	1213 LB	4797 LB	52"	5235 LB	1368 LB	5411 LB	63"	6331 LB	1655 LB	6543 LB	72"	7274 LB	1901 LB	7518 LB
	+/- 160.0 PSF	43"	5003 LB	1290 LB	5166 LB	48"	5643 LB	1455 LB	5827 LB	59"	6823 LB	1759 LB	7046 LB	67"	7838 LB	2021 LB	8094 LB
120"	+/- 30 PSF	92"	1755 LB	577 LB	1847 LB	100"	1901 LB	625 LB	2001 LB	139"	2634 LB	866 LB	2772 LB	144"	2737 LB	900 LB	2881 LB
	+/- 40 PSF	81"	2291 LB	673 LB	2388 LB	88"	2482 LB	730 LB	2587 LB	117"	3328 LB	978 LB	3469 LB	135"	3830 LB	1126 LB	3992 LB
	+/- 50 PSF	73"	2770 LB	765 LB	2874 LB	80"	3001 LB	829 LB	3114 LB	102"	3860 LB	1067 LB	4004 LB	118"	4438 LB	1226 LB	4604 LB
	+/- 60 PSF	67"	3171 LB	843 LB	3281 LB	74"	3479 LB	924 LB	3600 LB	92"	4327 LB	1150 LB	4477 LB	106"	4972 LB	1321 LB	5145 LB
	+/- 70 PSF	62"	3481 LB	900 LB	3596 LB	70"	3926 LB	1015 LB	4055 LB	84"	4748 LB	1228 LB	4904 LB	97"	5455 LB	1411 LB	5634 LB
	+/- 80 PSF	57"	3766 LB	955 LB	3886 LB	65"	4248 LB	1077 LB	4383 LB	78"	5135 LB	1302 LB	5297 LB	90"	5898 LB	1495 LB	6084 LB
	+/- 90 PSF	54"	4031 LB	1007 LB	4155 LB	61"	4547 LB	1136 LB	4687 LB	73"	5495 LB	1372 LB	5663 LB	84"	6310 LB	1576 LB	6504 LB
	+/- 100 PSF	51"	4280 LB	1056 LB	4408 LB	57"	4828 LB	1191 LB	4973 LB	69"	5832 LB	1439 LB	6007 LB	79"	6697 LB	1653 LB	6898 LB
	+/- 110 PSF	48"	4515 LB	1103 LB	4648 LB	54"	5093 LB	1245 LB	5243 LB	66"	6152 LB	1503 LB	6333 LB	75"	7063 LB	1726 LB	7271 LB
	+/- 120 PSF	46"	4738 LB	1149 LB	4876 LB	52"	5345 LB	1296 LB	5500 LB	63"	6455 LB	1565 LB	6642 LB	72"	7410 LB	1797 LB	7625 LB
	+/- 130 PSF	44"	4952 LB	1192 LB	5093 LB	50"	5585 LB	1345 LB	5745 LB	60"	6745 LB	1624 LB	6938 LB	69"	7743 LB	1865 LB	7964 LB
	+/- 140 PSF	42"	5156 LB	1235 LB	5302 LB	48"	5816 LB	1393 LB	5980 LB	58"	7023 LB	1682 LB	7221 LB	66"	8061 LB	1930 LB	8289 LB
	+/- 152.0 PSF	41"	5391 LB	1283 LB	5542 LB	46"	6081 LB	1448 LB	6251 LB	55"	7342 LB	1748 LB	7547 LB	63"	8427 LB	2006 LB	8663 LB
132"	+/- 30 PSF	84"	2101 LB	580 LB	2180 LB	91"	2277 LB	628 LB	2362 LB	126"	3138 LB	866 LB	3255 LB	144"	3587 LB	990 LB	3721 LB
	+/- 40 PSF	75"	2671 LB	686 LB	2758 LB	81"	2894 LB	743 LB	2988 LB	106"	3780 LB	971 LB	3903 LB	122"	4343 LB	1115 LB	4483 LB
	+/- 50 PSF	68"	3177 LB	783 LB	3272 LB	74"	3452 LB	851 LB	3555 LB	93"	4329 LB	1067 LB	4458 LB	107"	4970 LB	1225 LB	5119 LB
	+/- 60 PSF	62"	3535 LB	849 LB	3636 LB	69"	3967 LB	952 LB	4080 LB	84"	4815 LB	1156 LB	4952 LB	96"	5527 LB	1327 LB	5684 LB
	+/- 70 PSF	57"	3861 LB	910 LB	3966 LB	64"	4355 LB	1026 LB	4474 LB	77"	5257 LB	1239 LB	5401 LB	89"	6033 LB	1422 LB	6198 LB
	+/- 80 PSF	53"	4161 LB	967 LB	4272 LB	60"	4693 LB	1091 LB	4819 LB	72"	5664 LB	1317 LB	5815 LB	82"	6500 LB	1511 LB	6673 LB
	+/- 90 PSF	50"	4441 LB	1021 LB	4557 LB	56"	5009 LB	1152 LB	5140 LB	67"	6044 LB	1390 LB	6202 LB	77"	6935 LB	1595 LB	7116 LB
	+/- 100 PSF	47"	4704 LB	1073 LB	4825 LB	53"	5306 LB	1210 LB	5443 LB	64"	6402 LB	1460 LB	6566 LB	73"	7345 LB	1675 LB	7533 LB
	+/- 110 PSF	45"	4954 LB	1122 LB	5079 LB	50"	5587 LB	1266 LB	5729 LB	61"	6740 LB	1527 LB	6911 LB	70"	7733 LB	1752 LB	7929 LB
	+/- 120 PSF	43"	5191 LB	1170 LB	5321 LB	48"	5855 LB	1319 LB	6002 LB	58"	7063 LB	1591 LB	7240 LB	66"	8102 LB	1826 LB	8305 LB
	+/- 130 PSF	41"	5418 LB	1215 LB	5553 LB	46"	6111 LB	1371 LB	6263 LB	55"	7371 LB	1653 LB	7554 LB	64"	8455 LB	1896 LB	8665 LB
	+/- 140 PSF	39"	5636 LB	1259 LB	5775 LB	44"	6357 LB	1420 LB	6514 LB	53"	7667 LB	1713 LB	7856 LB	61"	8794 LB	1964 LB	9011 LB
	+/- 145.4 PSF	38"	5750 LB	1282 LB	5891 LB	43"	6486 LB	1446 LB	6645 LB	52"	7822 LB	1744 LB	8014 LB	60"	8972 LB	2000 LB	9192 LB
144"	+/- 20 PSF	93"	1713 LB	467 LB	1775 LB	101"	1856 LB	506 LB	1924 LB	140"	2571 LB	701 LB	2665 LB	144"	2640 LB	720 LB	2736 LB
	+/- 30 PSF	79"	2412 LB	590 LB	2484 LB	85"	2614 LB	640 LB	2691 LB	115"	3516 LB	861 LB	3620 LB	132"	4037 LB	988 LB	4156 LB
	+/- 40 PSF	70"	3022 LB	703 LB	3102 LB	76"	3274 LB	762 LB	3362 LB	97"	4179 LB	973 LB	4291 LB	112"	4796 LB	1117 LB	4924 LB
	+/- 50 PSF	63"	3492 LB	790 LB	3580 LB	70"	3873 LB	876 LB	3971 LB	86"	4751 LB	1075 LB	4871 LB	99"	5450 LB	1233 LB	5588 LB
	+/- 60 PSF	57"	3868 LB	859 LB	3962 LB	65"	4363 LB	968 LB	4469 LB	78"	5261 LB	1168 LB	5389 LB	89"	6034 LB	1340 LB	6181 LB
	+/- 70 PSF	53"	4210 LB	922 LB	4310 LB	59"	4749 LB	1040 LB	4862 LB	72"	5726 LB	1254 LB	5862 LB	82"	6567 LB	1439 LB	6722 LB
	+/- 80 PSF	49"	4527 LB	982 LB	4632 LB	55"	5106 LB	1108 LB	5225 LB	67"	6156 LB	1335 LB	6299 LB	77"	7059 LB	1531 LB	7223 LB
	+/- 90 PSF	46"	4823 LB	1038 LB	4934 LB	52"	5440 LB	1171 LB	5565 LB	63"	6557 LB	1412 LB	6708 LB	72"	7519 LB	1619 LB	7691 LB
	+/- 100 PSF	44"	5102 LB	1092 LB	5217 LB	49"	5755 LB	1232 LB	5885 LB	59"	6936 LB	1484 LB	7093 LB	68"	7952 LB	1702 LB	8132 LB
	+/- 110 PSF	42"	5366 LB	1143 LB	5487 LB	47"	6053 LB	1289 LB	6189 LB	56"	7295 LB	1554 LB	7458 LB	65"	8363 LB	1781 LB	8551 LB
	+/- 120 PSF	40"	5618 LB	1192 LB	5743 LB	45"	6337 LB	1344 LB	6478 LB	54"	7637 LB	1620 LB	7807 LB	62"	8755 LB	1857 LB	8950 LB
	+/- 130 PSF	38"	5859 LB	1239 LB	5989 LB	43"	6609 LB	1397 LB	6755 LB	52"	7964 LB	1684 LB	8140 LB	59"	9130 LB	1930 LB	9332 LB
	+/- 140.0 PSF	37"	6091"	1284"	6225"	41"	6871 LB	1448 LB	7021 LB	50"	8279 LB	1745 LB	8461 LB	57"	9490 LB	2000 LB	9699 LB

C:\Users\rickn\Engineering Express\Production - Documents\Projects\20-32431 QMI QOM 3-AL8 Family Drawing\WP2020 FBC\20-32431h.QOM3 - AL8.dwg

10/18/2021 - 12:09pm rickn

MULLION
SCHEDULE:
END
MULLIONS



END MULLION SCHEDULES

RICHARD NEET, P.E.
PE# 86488 CA# 9865



SLAT SPAN	DESIGN PRESSURE	4"x4"x0.1875" ALUM TUBE				4"x4"x0.25" ALUM TUBE				4"x6"x0.25" ALUM TUBE				4"x8"x0.25" ALUM TUBE			
		MAX MULLION LENGTH	END REACTION Rv	END REACTION Rt	END Rsum	MAX MULLION LENGTH	END REACTION Rv	END REACTION Rt	END Rsum	MAX MULLION LENGTH	END REACTION Rv	END REACTION Rt	END Rsum	MAX MULLION LENGTH	END REACTION Rv	END REACTION Rt	END Rsum
156"	+/- 20 PSF	87"	1959 LB	473 LB	2015 LB	95"	2123 LB	513 LB	2184 LB	131"	2940 LB	710 LB	3025 LB	144"	3228 LB	780 LB	3321 LB
	+/- 30 PSF	74"	2701 LB	604 LB	2768 LB	81"	2927 LB	655 LB	3000 LB	106"	3854 LB	862 LB	3950 LB	122"	4421 LB	989 LB	4530 LB
	+/- 40 PSF	67"	3342 LB	721 LB	3419 LB	72"	3633 LB	784 LB	3717 LB	91"	4544 LB	981 LB	4649 LB	104"	5211 LB	1124 LB	5331 LB
	+/- 50 PSF	59"	3783 LB	799 LB	3867 LB	67"	4268 LB	902 LB	4362 LB	80"	5142 LB	1087 LB	5256 LB	92"	5895 LB	1246 LB	6025 LB
	+/- 60 PSF	54"	4178 LB	871 LB	4268 LB	60"	4713 LB	982 LB	4814 LB	73"	5678 LB	1183 LB	5800 LB	83"	6508 LB	1356 LB	6648 LB
	+/- 70 PSF	49"	4539 LB	937 LB	4635 LB	56"	5120 LB	1056 LB	5228 LB	67"	6167 LB	1273 LB	6297 LB	77"	7068 LB	1459 LB	7217 LB
	+/- 80 PSF	46"	4873 LB	998 LB	4974 LB	52"	5497 LB	1126 LB	5611 LB	63"	6620 LB	1356 LB	6758 LB	72"	7587 LB	1554 LB	7745 LB
	+/- 90 PSF	43"	5186 LB	1056 LB	5292 LB	49"	5849 LB	1192 LB	5970 LB	59"	7044 LB	1435 LB	7189 LB	67"	8073 LB	1645 LB	8239 LB
	+/- 100 PSF	41"	5481 LB	1111 LB	5592 LB	46"	6182 LB	1254 LB	6308 LB	56"	7444 LB	1510 LB	7596 LB	64"	8531 LB	1730 LB	8705 LB
	+/- 110 PSF	39"	5760 LB	1164 LB	5877 LB	44"	6497 LB	1313 LB	6629 LB	53"	7824 LB	1581 LB	7982 LB	61"	8966 LB	1812 LB	9147 LB
+/- 124.7 PSF	37"	6148 LB	1237 LB	6272 LB	41"	6935 LB	1395 LB	7074 LB	50"	8351 LB	1680 LB	8518 LB	57"	9569 LB	1925 LB	9761 LB	
168"	+/- 20 PSF	83"	2187 LB	482 LB	2239 LB	90"	2369 LB	523 LB	2426 LB	124"	3282 LB	724 LB	3361 LB	143"	3776 LB	833 LB	3867 LB
	+/- 30 PSF	71"	2976 LB	620 LB	3040 LB	77"	3224 LB	672 LB	3294 LB	99"	4166 LB	868 LB	4255 LB	114"	4775 LB	995 LB	4877 LB
	+/- 40 PSF	63"	3596 LB	730 LB	3670 LB	69"	3978 LB	807 LB	4059 LB	85"	4885 LB	991 LB	4985 LB	97"	5598 LB	1136 LB	5712 LB
	+/- 50 PSF	56"	4059 LB	810 LB	4139 LB	63"	4578 LB	914 LB	4668 LB	75"	5512 LB	1100 LB	5620 LB	86"	6315 LB	1261 LB	6440 LB
	+/- 60 PSF	50"	4473 LB	884 LB	4560 LB	57"	5046 LB	997 LB	5143 LB	69"	6074 LB	1200 LB	6191 LB	79"	6959 LB	1375 LB	7093 LB
	+/- 70 PSF	47"	4853 LB	952 LB	4945 LB	53"	5474 LB	1073 LB	5578 LB	63"	6588 LB	1292 LB	6714 LB	72"	7547 LB	1480 LB	7691 LB
	+/- 80 PSF	43"	5204 LB	1015 LB	5302 LB	49"	5870 LB	1145 LB	5981 LB	59"	7065 LB	1378 LB	7198 LB	68"	8093 LB	1578 LB	8246 LB
	+/- 90 PSF	41"	5534 LB	1075 LB	5637 LB	46"	6242 LB	1212 LB	6359 LB	56"	7512 LB	1459 LB	7652 LB	64"	8605 LB	1671 LB	8766 LB
	+/- 100 PSF	39"	5845 LB	1131 LB	5953 LB	44"	6593 LB	1276 LB	6715 LB	53"	7934 LB	1535 LB	8081 LB	60"	9088 LB	1759 LB	9256 LB
	+/- 112.1 PSF	37"	6200 LB	1196 LB	6315 LB	41"	6994 LB	1349 LB	7123 LB	50"	8416 LB	1623 LB	8571 LB	57"	9639 LB	1859 LB	9817 LB
180"	+/- 20 PSF	79"	2402 LB	493 LB	2452 LB	85"	2603 LB	534 LB	2657 LB	117"	3551 LB	729 LB	3625 LB	134"	4070 LB	836 LB	4155 LB
	+/- 30 PSF	68"	3239 LB	637 LB	3302 LB	74"	3510 LB	690 LB	3577 LB	93"	4458 LB	876 LB	4543 LB	107"	5107 LB	1004 LB	5204 LB
	+/- 40 PSF	59"	3838 LB	739 LB	3908 LB	66"	4312 LB	830 LB	4391 LB	80"	5209 LB	1003 LB	5304 LB	92"	5966 LB	1149 LB	6076 LB
	+/- 50 PSF	53"	4321 LB	822 LB	4399 LB	59"	4874 LB	927 LB	4962 LB	71"	5864 LB	1115 LB	5969 LB	82"	6716 LB	1277 LB	6837 LB
	+/- 60 PSF	48"	4756 LB	897 LB	4840 LB	54"	5365 LB	1012 LB	5460 LB	65"	6454 LB	1217 LB	6567 LB	74"	7391 LB	1394 LB	7521 LB
	+/- 70 PSF	44"	5155 LB	967 LB	5244 LB	50"	5814 LB	1090 LB	5916 LB	60"	6993 LB	1312 LB	7115 LB	69"	8008 LB	1502 LB	8148 LB
	+/- 80 PSF	41"	5524 LB	1032 LB	5620 LB	47"	6231 LB	1164 LB	6339 LB	56"	7495 LB	1400 LB	7624 LB	64"	8582 LB	1603 LB	8730 LB
	+/- 90 PSF	39"	5871 LB	1093 LB	5971 LB	44"	6622 LB	1232 LB	6736 LB	53"	7964 LB	1482 LB	8101 LB	60"	9119 LB	1697 LB	9276 LB
	+/- 101.7 PSF	36"	6252 LB	1160 LB	6358 LB	41"	7052 LB	1308 LB	7172 LB	50"	8481 LB	1574 LB	8625 LB	57"	9711 LB	1802 LB	9876 LB
	+/- 20 PSF	76"	2608 LB	505 LB	2657 LB	82"	2827 LB	547 LB	2879 LB	110"	3793 LB	734 LB	3863 LB	126"	4345 LB	841 LB	4425 LB
192"	+/- 30 PSF	65"	3490 LB	653 LB	3551 LB	71"	3788 LB	709 LB	3854 LB	89"	4735 LB	886 LB	4817 LB	101"	5422 LB	1014 LB	5516 LB
	+/- 40 PSF	56"	4069 LB	749 LB	4137 LB	63"	4589 LB	845 LB	4666 LB	76"	5519 LB	1016 LB	5611 LB	87"	6319 LB	1163 LB	6425 LB
	+/- 50 PSF	50"	4575 LB	834 LB	4650 LB	56"	5160 LB	940 LB	5245 LB	68"	6204 LB	1131 LB	6306 LB	78"	7103 LB	1294 LB	7220 LB
	+/- 60 PSF	46"	5030 LB	911 LB	5112 LB	51"	5674 LB	1027 LB	5766 LB	62"	6821 LB	1235 LB	6932 LB	71"	7808 LB	1414 LB	7935 LB
	+/- 70 PSF	42"	5447 LB	982 LB	5535 LB	47"	6144 LB	1107 LB	6243 LB	57"	7386 LB	1331 LB	7505 LB	65"	8455 LB	1524 LB	8592 LB
	+/- 80 PSF	39"	5835 LB	1048 LB	5928 LB	44"	6582 LB	1182 LB	6687 LB	53"	7912 LB	1421 LB	8038 LB	61"	9056 LB	1627 LB	9201 LB
	+/- 92.9 PSF	36"	6300 LB	1128 LB	6400 LB	41"	7106 LB	1272 LB	7219 LB	49"	8541 LB	1529 LB	8677 LB	57"	9777 LB	1750 LB	9933 LB
	+/- 20 PSF	73"	2809 LB	517 LB	2856 LB	79"	3043 LB	560 LB	3095 LB	105"	4022 LB	740 LB	4090 LB	120"	4605 LB	847 LB	4683 LB
	+/- 30 PSF	62"	3689 LB	661 LB	3748 LB	68"	4060 LB	727 LB	4125 LB	84"	5002 LB	896 LB	5081 LB	97"	5725 LB	1026 LB	5816 LB
	+/- 40 PSF	54"	4292 LB	759 LB	4358 LB	60"	4841 LB	856 LB	4916 LB	73"	5818 LB	1029 LB	5908 LB	83"	6659 LB	1177 LB	6762 LB
204"	+/- 50 PSF	48"	4820 LB	846 LB	4894 LB	54"	5437 LB	954 LB	5520 LB	65"	6533 LB	1146 LB	6633 LB	74"	7477 LB	1312 LB	7592 LB
	+/- 60 PSF	43"	5296 LB	924 LB	5376 LB	49"	5974 LB	1042 LB	6064 LB	59"	7178 LB	1253 LB	7286 LB	67"	8214 LB	1434 LB	8339 LB
	+/- 70 PSF	40"	5732 LB	997 LB	5818 LB	45"	6466 LB	1124 LB	6563 LB	54"	7769 LB	1351 LB	7886 LB	62"	8891 LB	1546 LB	9024 LB
	+/- 85.4 PSF	36"	6346 LB	1099 LB	6440 LB	41"	7158 LB	1240 LB	7265 LB	49"	8600 LB	1489 LB	8728 LB	56"	9842 LB	1704 LB	9988 LB
	+/- 20 PSF	71"	3004 LB	529 LB	3050 LB	76"	3255 LB	573 LB	3305 LB	100"	4242 LB	747 LB	4307 LB	114"	4855 LB	855 LB	4930 LB
	+/- 30 PSF	59"	3881 LB	669 LB	3938 LB	66"	4328 LB	746 LB	4391 LB	81"	5259 LB	906 LB	5337 LB	92"	6018 LB	1037 LB	6107 LB
	+/- 40 PSF	51"	4509 LB	769 LB	4574 LB	58"	5086 LB	867 LB	5159 LB	69"	6109 LB	1042 LB	6197 LB	79"	6990 LB	1192 LB	7091 LB
	+/- 50 PSF	46"	5059 LB	857 LB	5131 LB	52"	5707 LB	967 LB	5788 LB	62"	6854 LB	1162 LB	6952 LB	71"	7842 LB	1329 LB	7954 LB
	+/- 60 PSF	42"	5556 LB	937 LB	5634 LB	47"	6267 LB	1057 LB	6355 LB	56"	7526 LB	1270 LB	7633 LB	65"	8611 LB	1453 LB	8733 LB
	+/- 79.0 PSF	36"	6393 LB	1073 LB	6483 LB	41"	7211 LB	1211 LB	7312 LB	49"	8661 LB	1454 LB	8782 LB	56"	9908 LB	1663 LB	10047 LB
216"	+/- 20 PSF	68"	3196 LB	542 LB	3241 LB	74"	3463 LB	587 LB	3512 LB	95"	4454 LB	755 LB	4517 LB	109"	5096 LB	864 LB	5168 LB
	+/- 30 PSF	57"	4067 LB	677 LB	4123 LB	64"	4588 LB	764 LB	4651 LB	77"	5509 LB	917 LB	5585 LB	88"	6302 LB	1049 LB	6389 LB
	+/- 40 PSF	49"	4720 LB	779 LB	4784 LB	55"	5324 LB	879 LB	5396 LB	67"	6393 LB	1055 LB	6479 LB	76"	7313 LB	1207 LB	7411 LB
	+/- 50 PSF	44"	5293 LB	869 LB	5364 LB	50"	5970 LB	980 LB	6050 LB	59"	7168 LB	1177 LB	7264 LB	68"	8199 LB	1346 LB	8309 LB
	+/- 60 PSF	40"	5810 LB	950 LB	5887 LB	45"	6553 LB	1072 LB	6640 LB	54"	7868 LB	1287 LB	7972 LB	62"	8999 LB	1472 LB	9119 LB
	+/- 73.4 PSF	36"	6437 LB	1050 LB	6523 LB	41"	7261 LB	1184 LB	7357 LB	49"	8717 LB	1422 LB	8832 LB	56"	9971 LB	1626 LB	10102 LB
	+/- 20 PSF	67"	3322 LB	550 LB	3367 LB	73"	3599 LB	596 LB	3648 LB	93"	4591 LB	760 LB	4654 LB	106"	5252 LB	869 LB	5323 LB
	+/- 30 PSF	56"	4189 LB	683 LB	4244 LB	63"	4725 LB	770 LB	4787 LB	75"	5672 LB	924 LB	5747 LB	86"	6488 LB	1057 LB	6574 LB
	+/- 40 PSF	48"	4859 LB	786 LB	4922 LB	54"	5480 LB	886 LB	5551 LB	65"	6578 LB	1064 LB	6664 LB	74"	7524 LB	1216 LB	7621 LB
	+/- 50 PSF	43"	5446 LB	876 LB	5516 LB	48"	6143 LB	989 LB	6222 LB	58"	7374 LB	1187 LB	7469 LB	66"	8433 LB	1357 LB	8542 LB
236"	+/- 60 PSF	39"	5977 LB	959 LB	6053 LB	44"	6741 LB	1082 LB	6828 LB	53"	8091 LB	1298 LB	8195 LB	60"	9254 LB	1485 LB	9372 LB
	+/- 70.0 PSF	36"	6464 LB	1035 LB	6546 LB	41"	7291 LB	1167 LB	7384 LB	49"	8750 LB	1401 LB	8862 LB	56"	10007 LB	1602 LB	10135 LB

C:\Users\rickn\Engineering\Express\Production - Documents\Projects\20-32-431 QMI QOM 3-AL8 Family Drawing\WP2020\FBC\20-32431h.QOM3 - AL8.dwg 10/18/2021 - 12:09pm rickn



POSTAL ADDRESS:
401 W. ATLANTIC AVE R10 #219
DELRAY BEACH, FL 33444
ENGINEERINGEXPRESS.COM

QMI SECURITY SOLUTIONS

1661 GLENLAKE AVE.
ITASCA, IL 60143
PHONE: (866) 980-1750

QOM3 - AL8 ROLL-UP SHUTTER
FLORIDA BUILDING CODE SEVENTH ED (2020)
PRODUCT APPROVAL #FL 39156.1

REMARKS	DRWN	CHKD	DATE
INIT ISSUE	C-SL	RWN	8/11/2021
REV - ADDL OPTIONS	RWN	RWN	8/15/2021
REV - ADDL OPTIONS	RWN	RWN	10/14/2021

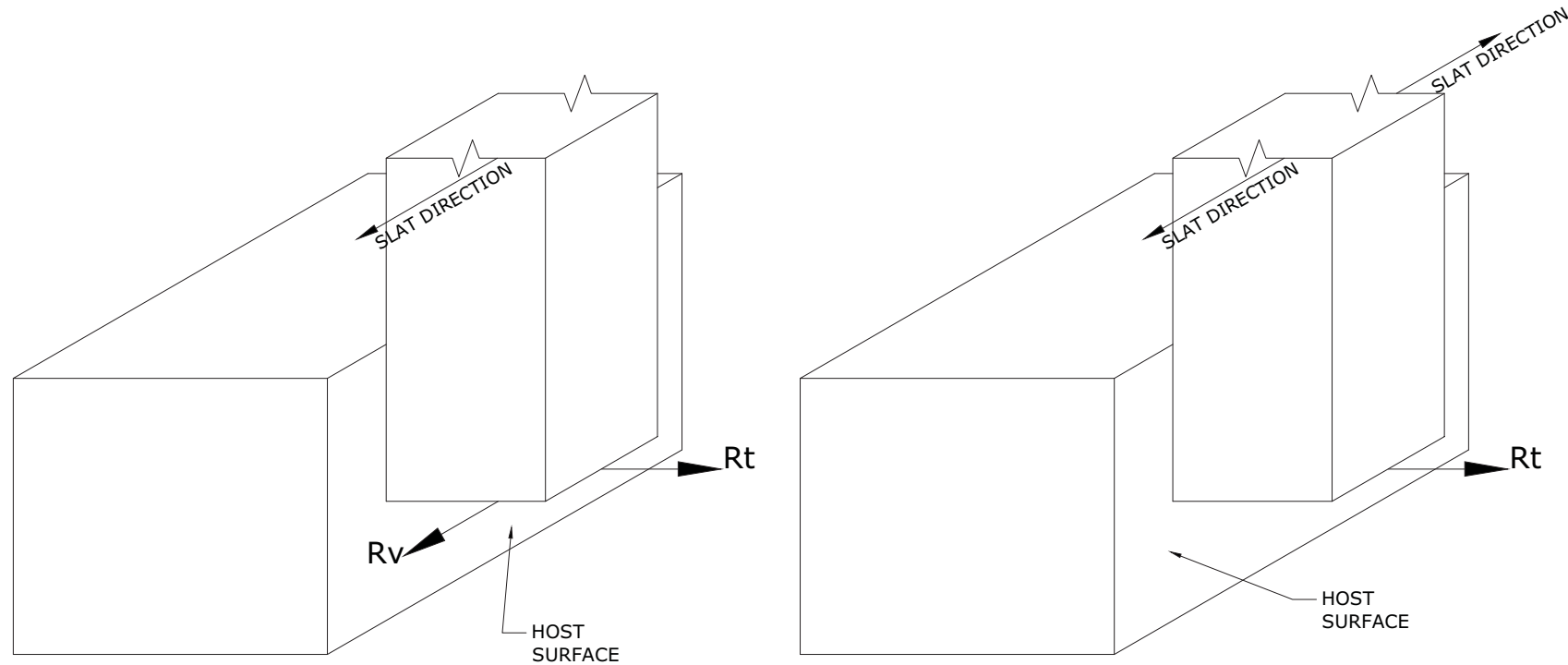
COPYRIGHT ENGINEERING EXPRESS®

20-32431

SCALE: NTS UNLESS NOTED

28 OF 30

MULLION END ATTACHMENTS

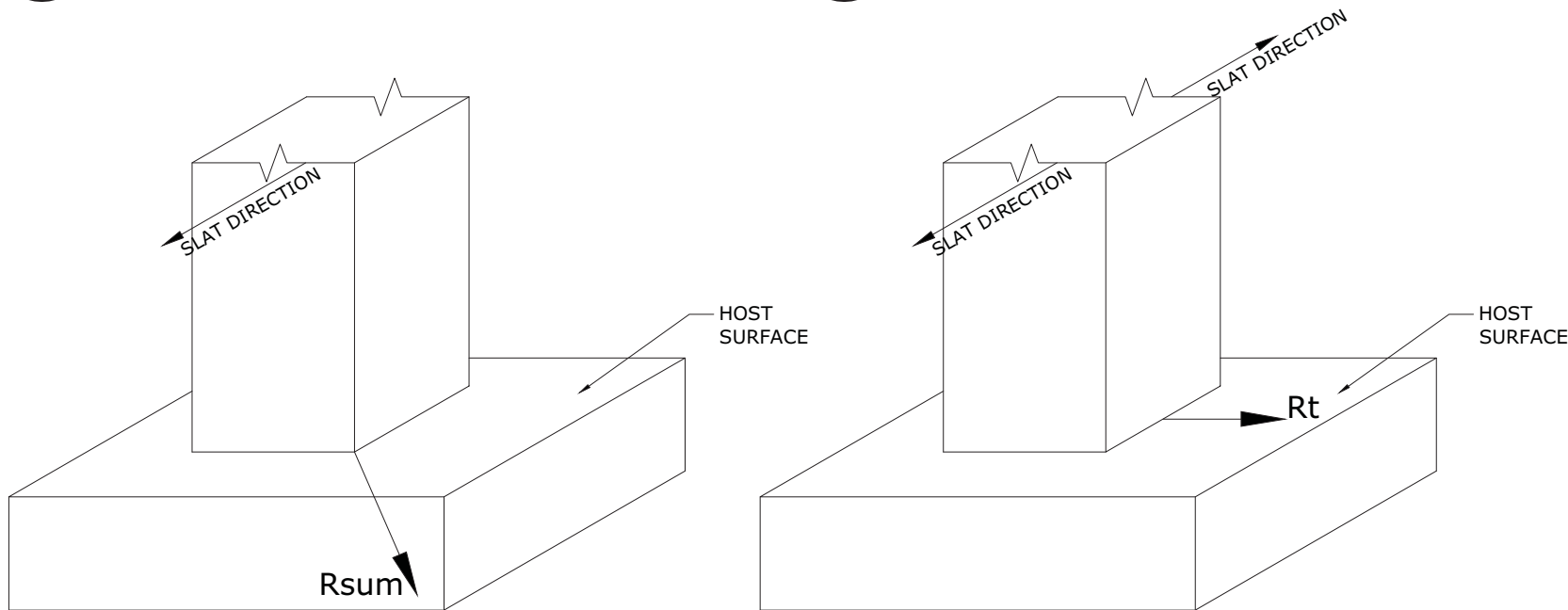


1
END MULLION "FACE MOUNT" DIAGRAM

29 N.T.S. ISOMETRIC

2
INTERIOR MULLION "FACE MOUNT" DIAGRAM

29 N.T.S. ISOMETRIC



3
END MULLION "TRAPPED MOUNT" DIAGRAM

29 N.T.S. ISOMETRIC

4
INTERIOR MULLION "TRAPPED MOUNT" DIAGRAM

29 N.T.S. ISOMETRIC

MULLION ANCHOR SCHEDULE

ANCHOR TYPE	MINIMUM SPACING	MINIMUM EDGE DISTANCE	CONNECTION DETAIL	CONNECTION CAPACITY	
				Tcap	Vcap
1/2" DEWALT CONFLX W/ 3-1/2" EMBED TO 3.0KSI MIN CONCRETE	6.0"	3.5"	1A, 1B	Tcap	3534 LB
	4.0"	3.5"	2A, 2B	Tcap	3441 LB
				Vcap	4948 LB
3/8" DEWALT CONFLX W/ 3-1/2" EMBED TO 3.0KSI MIN CONCRETE	6.0"	3.5"	3A, 3B	Tcap	4818 LB
	4.0"	3.5"	2A, 2B	Tcap	9897 LB
				Vcap	9636 LB
1/2" DEWALT 316SS WEDGE BOLT W/ 2-3/4" EMBED TO 3.0KSI MIN CONCRETE	6.0"	3.75"	1A, 1B	Tcap	3246 LB
	4.0"	3.75"	2A, 2B	Tcap	3523 LB
				Vcap	4869 LB
3/8" DEWALT 316SS WEDGE BOLT W/ 3-1/2" EMBED TO 3.0KSI MIN CONCRETE	6.0"	3.75"	3A, 3B	Tcap	9739 LB
	4.0"	3.75"	1A, 1B	Tcap	10570 LB
				Vcap	1640 LB
1/2" DEWALT 316SS WEDGE BOLT W/ 2-3/4" EMBED TO 3.0KSI MIN CONCRETE	6.0"	4.5"	1A, 1B	Tcap	2560 LB
	4.0"	4.5"	2A, 2B	Tcap	3280 LB
				Vcap	3584 LB
3/8" DEWALT 316SS WEDGE BOLT W/ 3-1/2" EMBED TO 3.0KSI MIN CONCRETE	6.0"	4.5"	3A, 3B	Tcap	6560 LB
	4.0"	4.5"	1A, 1B	Tcap	7168 LB
				Vcap	1930 LB
1/2" HILTI KH-EZ W/ 4-1/2" EMBED TO 3.0KSI MIN CONCRETE	6.0"	3.0"	1A, 1B	Tcap	828LB
	4.0"	3.0"	2A, 2B	Tcap	3860LB
				Vcap	1656 LB
1/2" HILTI KH-EZ W/ 4-1/2" EMBED TO 3.0KSI MIN CONCRETE	6.0"	3.0"	3A, 3B	Tcap	7720 LB
	4.0"	3.0"	1A, 1B	Tcap	3312 LB
				Vcap	3556 LB
1/2" HILTI KH-EZ W/ 4-1/2" EMBED TO 3.0KSI MIN CONCRETE	6.0"	3.0"	1A, 1B	Tcap	1461LB
	4.0"	3.0"	2A, 2B	Tcap	6234LB
				Vcap	2777 LB
4.0"	3.0"	3A, 3B	Tcap	12469 LB	
			Vcap	5554 LB	

TABLE CONTINUES ON NEXT SHEET

MULLION ANCHOR SCHEDULE NOTES:

- FOR "TRAPPED MOUNT" CONDITIONS WITH END MULLIONS, 'Rsum' VALUES IN MULLION SCHEDULE SHALL NOT EXCEED MAX 'Vcap' VALUES NOTED IN THIS SCHEDULE.
- FOR "FACE MOUNT" CONDITIONS WITH END MULLIONS, **Rv/Vcap + Rt/Tcap SHALL BE LESS THAN OR EQUAL TO 1.0**, WHERE 'Rv' AND 'Rt' ARE PER MULLION SCHEDULES, AND 'Tcap' AND 'Vcap' ARE PER THIS SCHEDULE.
- FOR "TRAPPED MOUNT" CONDITIONS WITH INTERMEDIATE MULLIONS, 'Rt' VALUES IN MULLION SCHEDULES SHALL NOT EXCEED 'Vcap' VALUES NOTED IN THIS SCHEDULE.
- FOR "FACE MOUNT" CONDITIONS WITH INTERMEDIATE MULLIONS, 'Rt' VALUES IN MULLION SCHEDULES SHALL NOT EXCEED 'Tcap' VALUES NOTED IN THIS SCHEDULE
- * ANCHORS SHALL PENETRATE THROUGH FACE SHELL INTO GROUTED CELL.
- ALTERNATE ANCHORS AND OR END CONNECTION CONFIGURATIONS MAY BE DESIGNED/CERTIFIED ON A SITE SPECIFIC BASIS BASED ON THE END LOADINGS LISTED IN THE MULLION SCHEDULES.
- 1/2" UNC THRU BOLTS MAY BE USED IN LEIU OF 1/4" SMS PER THE FOLLOWING DIRECTIVE
 - (4) SMS PER SIDE = (2) 1/2" UNC THRU BOLTS / (6) SMS PER SIDE = (3) 1/2" UNC THRU BOLTS

RICHARD NEET, P.E.
PE# 86488 CA# 9865



POSTAL ADDRESS:
401 W. ATLANTIC AVE R10 #219
DELRAY BEACH, FL 33444
ENGINEERINGEXPRESS.COM

QMI SECURITY SOLUTIONS

1661 GLENLAKE AVE.
ITASCA, IL 60143

PHONE: (866) 980-1750

QOM3 - AL8 ROLL-UP SHUTTER
FLORIDA BUILDING CODE SEVENTH ED (2020)
PRODUCT APPROVAL #FL 39156.1

REMARKS	DRWN	CHKD	DATE
INIT ISSUE	RWN	RWN	6/11/2021
REV - ADDL OPTIONS	RWN	RWN	8/15/2021
REV - ADDL OPTIONS	RWN	RWN	10/14/2021

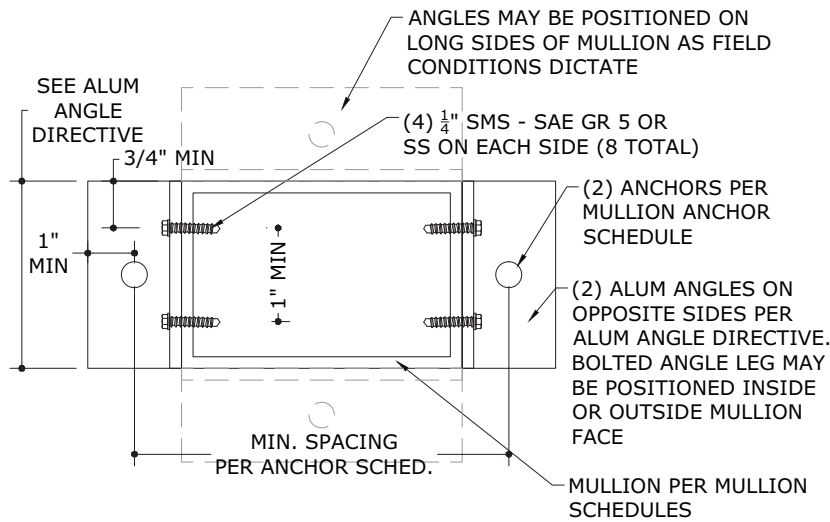
COPYRIGHT ENGINEERING EXPRESS®

20-32431

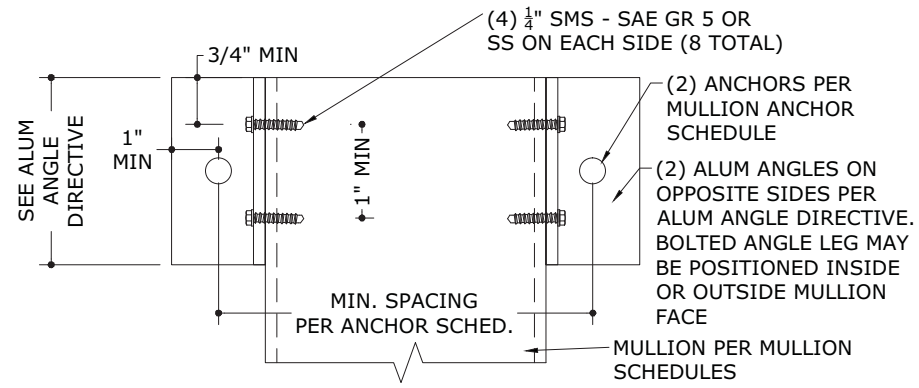
SCALE: NTS UNLESS NOTED

29 OF 30

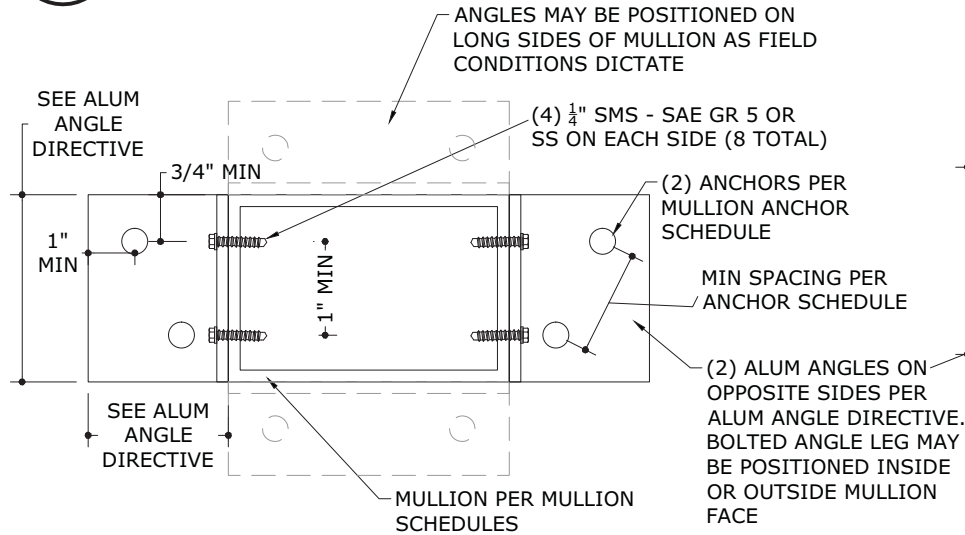
C:\Users\rickn\Engineering\Express\Production - Documents\Projects\20-32-431 QMI QOM 3-AL8 Family Drawing\WP2020\FBCI\20-32431h.QOM3 - AL8.dwg 10/18/2021 - 12:09pm rickn



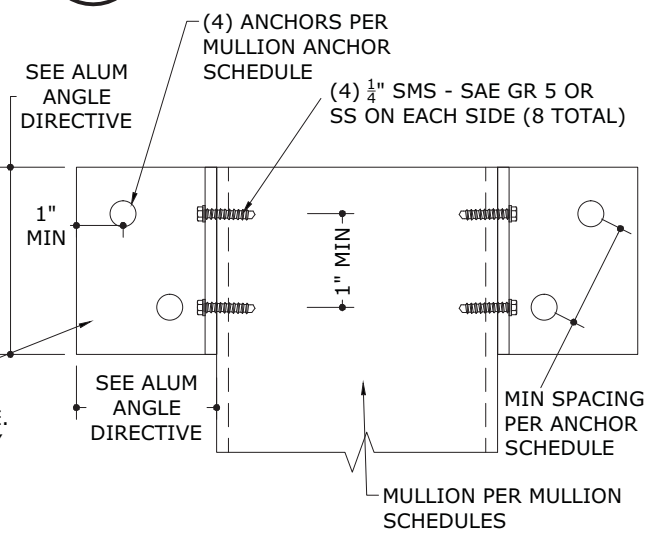
1A TRAPPED MOUNT OPTION 1
30 N.T.S.



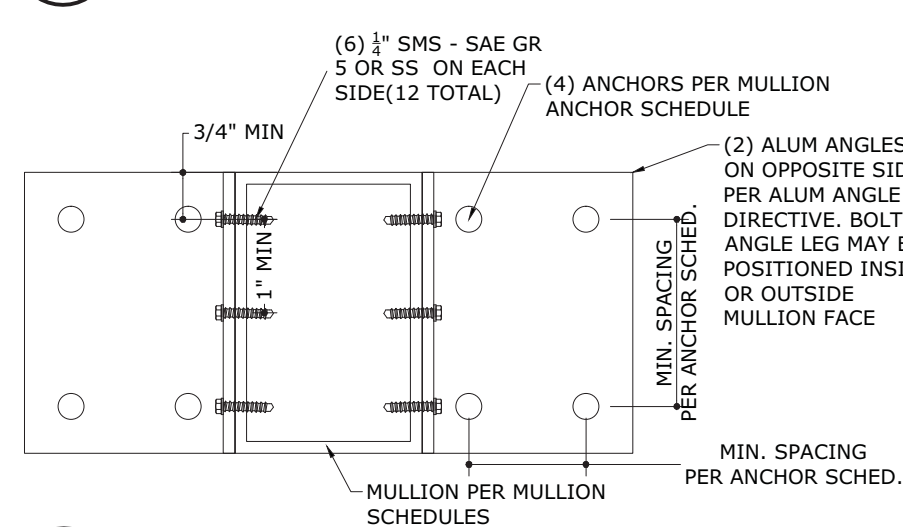
1B FACE MOUNT OPTION 1
30 N.T.S.



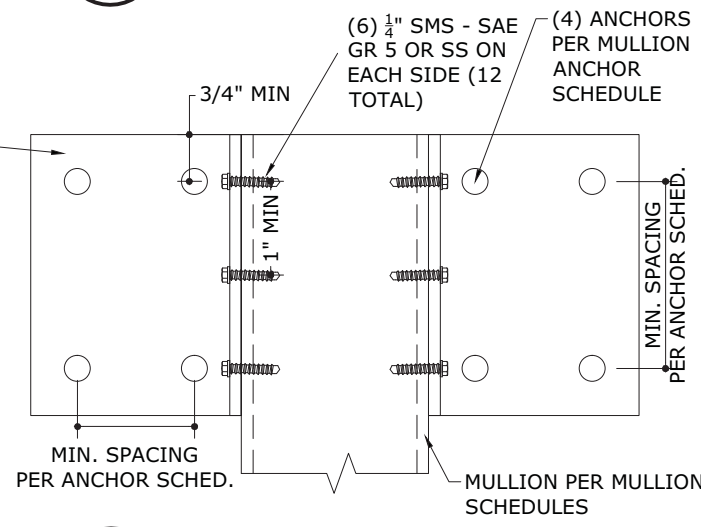
2A TRAPPED MOUNT OPTION 2
30 N.T.S.



2B FACE MOUNT OPTION 2
30 N.T.S.



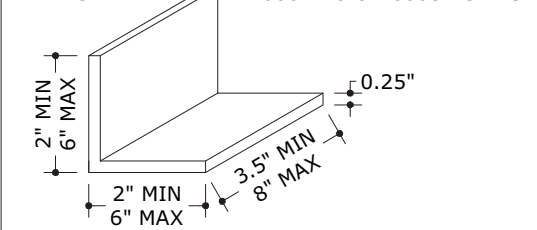
3A TRAPPED MOUNT OPTION 3
30 N.T.S.



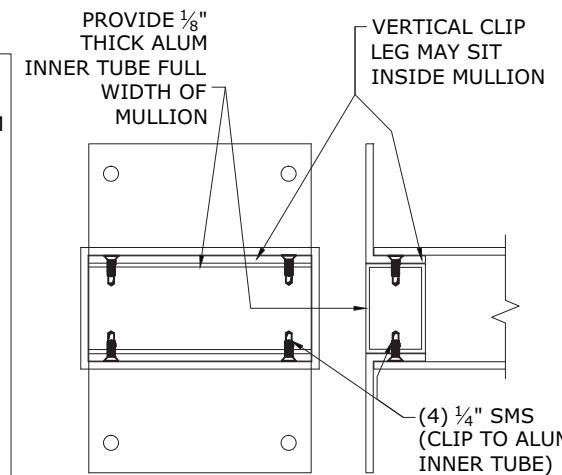
3B FACE MOUNT OPTION 3
30 N.T.S.

ALUM ANGLE DIRECTIVE

N.T.S. 6061-T6 OR 6005-T5 ALUM



ANGLE DIMENSION NOTE: MINIMUM REQUIRED ANGLE LEG SIZES AND LENGTH SHALL BE DETERMINED BASED ON THE ANCHOR REQUIREMENTS IN THE MULLION ANCHOR SCHEDULE AND THE MULLION ATTACHMENT DETAILS HEREIN



4 ALT. TRAPPED MOUNT OPTION
30 N.T.S.

MULLION ANCHOR SCHEDULE (CONT'D)

ANCHOR TYPE	MINIMUM SPACING	MINIMUM EDGE DISTANCE	CONNECTION DETAIL	CONNECTION CAPACITY	
				Tcap	Vcap
1/2" DEWALT SCREW BOLTS (OR EQUIV.) W/ 2-1/2" EMBED TO 3KSI MIN. CONCRETE	6"	4.5"	1A, 1B	3660 LB	2249 LB
	4.0"	4.5"	2A, 2B	6442 LB	4106 LB
			3A, 3B	12883 LB	8213 LB
3/8" DEWALT SCREW BOLTS (OR EQUIV.) W/ 2" EMBED TO 3KSI MIN. CONCRETE	6.0"	2.5"	1A, 1B	1905 LB	1007 LB
	3.0"	2.5"	2A, 2B	3801 LB	1700 LB
			3A, 3B	7622 LB	3399 LB
3/8" DEWALT SCREW BOLTS (OR EQUIV.) W/ 3-1/4" EMBED TO GROUT-FILLED CONCRETE BLOCK*	6.0"	4.5"	1A, 1B	1953 LB	1233 LB
	3.0"	4.5"	2A, 2B	3906 LB	2467 LB
			3A, 3B	7812 LB	4934 LB
5/16" LAG SCREW W/ 2" MIN. THREAD PENETRATION TO G=0.42 MIN WOOD	2.0"	1.25"	1A, 1B	1310 LB	302 LB
	2.0"	1.25"	2A, 2B	2620 LB	604 LB
			3A, 3B	3930 LB	906 LB
5/16" DEWALT ULTRACON (OR EQUIV.) W/ 2" EMBED TO 3.5KSI MIN CONCRETE	5.0"	3.125"	1A, 1B	1670 LB	1700 LB
	3.75"	3.125"	2A, 2B	1820 LB	2840 LB
			3A, 3B	3640 LB	5680 LB
5/16" DEWALT ULTRACON (OR EQUIV.) W/ 2-1/4" EMBED TO GROUT-FILLED CONCRETE BLOCK	5.0"	2.5"	1A, 1B	580 LB	750 LB
	5.0"	2.5"	2A, 2B	1160 LB	1500 LB
			3A, 3B	2320 LB	3000 LB



ENGINEERING EXPRESS

POSTAL ADDRESS:
401 W. ATLANTIC AVE R10 #219
DELRAY BEACH, FL 33444
ENGINEERINGEXPRESS.COM

QMI SECURITY SOLUTIONS

1661 GLENLAKE AVE.
ITASCAS, IL 60143
PHONE: (866) 980-1750

QOM3 - AL8 ROLL-UP SHUTTER
FLORIDA BUILDING CODE SEVENTH ED (2020)
PRODUCT APPROVAL #FL 39156.1

REMARKS	DRWN	CHKD	DATE
INIT ISSUE	CSL	RWN	6/11/2021
REV - ADDL OPTIONS	RWN	RWN	8/15/2021
REV - ADDL OPTIONS	RWN	RWN	10/14/2021

COPYRIGHT ENGINEERING EXPRESS®

20-32431

SCALE: NTS UNLESS NOTED