

RESTRICTED
T. O. No. 01-9000-4

SECTION II—GROUP ASSEMBLY PARTS LISTS

FIG. NO.	INDEX NO.	STOCKED	GROUP Power Plant						PROPERTY CLASSIFICATION						
			MAJOR ASSEMBLY Installation - Fuel System						UNITS PER ASSY	U.S. NAVY	U.S. ARMY	BRITISH			
			PART NUMBER	1	2	3	4	5					6	NOMENCLATURE	
27	11	S	FB4A (P)								4		04-A		
		S	AC884-4-9									2		04-B	
		S	D179290									1		01-H	
		S	D179290-2									1		01-H	
		S	AN800-4									1		04-A	
		S	AN805-4									1		04-A	
		S	AC811BT4D									1		04-A	
		S	AC811T4CS									1		04-A	
		S	D179291									1		01-H	
		S	D179291-2									1		01-H	
27	13	S	AC811BT8D								2		04-A		
		S	AC811T8CS								2		04-A		
		S	AC811CT8D								2		04-A		
		S	D179292								1		01-H		
27	14	S	FB8A (P)								4		04-A		
		S	AC884-8-9								2		04-B		
		S	D179293								1		01-H		
		S	FB8A (P)								4		04-A		
27	15	S	105933-8								2		04-A		
		S	AC365-1032								2		04-A		
		S	AN520-10-10								2		29		
		S	AC755-18								1		04-A		
		S	AC755-20								1		04-A		
		S	AC884-8-9								2		04-B		
		S	AN960-10								2		04-A		
		S	D179295								1		01-H		
		S	105933-8								3		04-A		
		S	FB8A (P)								4		04-A		
		S	AC365-832								1		04-A		
		S	AC365-1032								3		04-A		
		S	AN515-8-10								1		29		
		S	AN520-10-10								3		29		
		S	AC755-6								1		04-A		
S	AC755-12								1		04-A				
S	AC755-18								2		04-A				
S	AC755-22								1		04-A				
S	AC835-8								1		04-A				
S	AN875-8								1		04-A				
S	AC884-8-9								2		04-B				
S	AN960-8								1		04-A				
S	AN960-10								3		04-A				
S	D179296								1		01-H				
27	16	S	105933-8								2		04-A		
		S	FB8A (P)								4		04-A		
		S	AC365-1032								2		04-A		
		S	AN520-10-10								2		29		
		S	AC755-18								2		04-A		
		S	AC884-8-9								2		04-B		
		S	AN960-10								2		04-A		
		S	D179297								1		01-H		
		S	105933-8								2		04-A		
		S	FB8A								4		04-A		

RESTRICTED
T. O. No. 01-90CC-4
SECTION II—GROUP ASSEMBLY PARTS LISTS

FIG. NO.	INDEX NO.	S T O C K E D	GROUP Power Plant							UNITS PER ASSY	PROPERTY CLASSIFICATION				
			MAJOR ASSEMBLY Installation - Fuel System								U.S. NAVY	U.S. ARMY	BRITISH		
			PART NUMBER	1	2	3	4	5	6					NOMENCLATURE	
27	18	S	AC365-832								2		04-A		
		S	AN515-8-10								2		29		
		S	AC755-6								1		04-A		
		S	AC755-10								1		04-A		
		S	AC835-8								1		04-A		
		S	AC875-8								1		04-A		
		S	AC884-8-9								1		04-A		
		S	AN960-8								2		04-B		
		S	D179299								2		04-A		
		S	105933-8								1		01-H		
				S	105933-8							1		04-A	
				S	FB8A (P)							4		04-A	
				S	AC365-832							1		04-A	
				S	AN515-8-10							1		29	
				S	AC755-10							1		04-A	
			S	AC884-8-9							2		04-B		
			S	AN960-8							1		04-A		
			S	D179310							1		01-H		
			S	D170106							1		01-H		
			S	AC365-632							4		04-A		
			S	AN526-632-10							4		29		
			S	AN960-6							4		04-A		
			S	D170107							1		01-H		
			S	AC365-632							4		04-A		
			S	AN526-632-10							4		29		
			S	AN960-6							4		04-A		
			S	D179321							2		01-H		
			S	D179311							1		01-H		
			S	AC385-10-8							1		29		
			S	AC365-632							1		04-A		
			S	AN960-6							1		04-A		
		S	D179322-2							1		01-H			
		S	D179323							1		01-H			
		S	066654 (P)							1		01-H			
		S	AC530-6-6							4		29			
		S	D179321-1							8		01-H			
		S	D179324							1		01-H			
		S	AN3-4							2		04-A			
		S	AN3-10							2		04-A			
		S	AN310-3							4		04-A			
		S	AN380-2-2							4		29			
		S	AC500-10-14							8		29			
		S	561-D-9							2		01-C			
		S	AC995-C40-18							2		04-A			
		S	D179326							2		01-H			
		S	D179327							2		01-H			
		S	D179327-1							1		01-H			
		S	561-D-12 (P)							1		01-C			
		S	AN3-13							2		04-A			
		S	AN310-3							2		04-A			
		S	AN380-2-2							2		29			
		S	AN4004-1							2		03-I			
		S	AN380-2-2							2		29			
		S	AN392-21							2		04-A			
		S	AC850-8							2		04-A			
		S	AC851-8							4		04-A			
	20	S	D17960 LH							1		01-H			

RESTRICTED

T. O. No. 01-90CC-4

SECTION II—GROUP ASSEMBLY PARTS LISTS

FIG. NO.	INDEX NO.	STOCKED	GROUP Power Plant						UNITS PER ASSY	PROPERTY CLASSIFICATION				
			MAJOR ASSEMBLY Installation - Fuel System							U.S. NAVY	U.S. ARMY	BRITISH		
			PART NUMBER	1	2	3	4	5					6	NOMENCLATURE
27	21	S	D17960-2							1		01-H		
			D17960-4								1		01-H	
			D17960-7								1		01-H	
			D17960-13								1		01-H	
			AN430-4-5								2		29	
			D17960-18								1		01-H	
			D17960-3								1		01-H	
			D17960-5 LH								1		01-H	
			D17960-5 RH								1		01-H	
			D17960-8								1		01-H	
			D17960-14								1		01-H	
			D17960-15								1		01-H	
			D17960-16								1		01-H	
			D17960-17								1		01-H	
			D17960-19								1		01-H	
			S-120								1		01-H	
			D17960-20								1		01-H	
			D171056								1		01-E	
			1516280	(P)							1		05-D	
			D179602								1		01-H	
			D179602-1								1		01-H	
			AN520-10-12								5		29	
			100696-D12-07-008								5		01-H	
			AC365-1032								5		04-A	
			AN425A03-4								2		29	
			AN960-10								5		04-A	
			D179608								1		01-H	
			D179608-4								1		01-H	
			S-173								1		01-H	
			D17973-3								1		01-H	
			D17973-4								1		01-H	
			103111								1		01-H	
			103326								2		01-H	
			103326-2								1		01-H	
			AC366-832								1		04-A	
			AN425AD3-4								2		29	
			103637								1		01-H	
			AN430AD4-4								2		29	
			S-2								1		01-H	
			S-174-1								1		01-H	
			S-192								2		01-H	
			661	(P)							1		29	
			AN430-4-4								190		29	
			AC895-B71								1		04-A	
			No number	(P)							1			
AC850-8								1		04-A				
D17960 RH								1		01-H				
D17960-2								1		01-H				
D17960-4								1		01-H				
D17960-7								1		01-H				
D17960-13								1		01-H				
AN430-4-5								2		29				
D17960-18								1		01-H				

RESTRICTED

T. O. No. 01-90CC-4

SECTION II—GROUP ASSEMBLY PARTS LISTS

FIG. NO.	INDEX NO.	STOCKED	GROUP Power Plant						UNITS PER ASSY	PROPERTY CLASSIFICATION				
			MAJOR ASSEMBLY Installation - Fuel System							U.S. NAVY	U.S. ARMY	BRITISH		
			PART NUMBER	1	2	3	4	5					6	NOMENCLATURE
		S	D17960-3											
			D17960-5 LH											
			D17960-4 RH											
			D17960-8											
			D17960-14											
			D17960-15											
			D17960-16											
			D17960-17											
			D17960-19											
		S	S-120											
			D17960-21											
		S	D171056											
		S	1516280											
		S	D179602											
			D179602-1											
		S	AN520-10-12											
		S	100696-D12-07-008											
		S	AC365-1032											
		S	AN425AD3-4											
		S	AN960-10											
		S	D179608-3											
			D179608-5											
			S-173											
		S	D17973-3											
		S	D17973-4											
			103111											
		S	103326											
		S	103326-2											
		S	AC366-832											
		S	AN425AD3-4											
		S	103637											
		S	AN430AD4-4											
		S	S-2											
		S	S-174-1											
		S	S-192											
		S	661											
		S	AN430-4-4											
		S	AC895-B71											
		S	No number											
		S	AC850-8											
		S	D179610-1											
		S	D179610-6											
		S	D179610-10											
		S	1E-1184											
		S	S-177											
		S	39A4240											
		S	D179710											
			D179710-1											
			D179710-2											
			D179710-3											
			D179710-4											
			D179710-5											
			D179710-6											

RESTRICTED

235

RESTRICTED

T. O. No. 01-9000-4

SECTION II—GROUP ASSEMBLY PARTS LISTS

FIG. NO.	INDEX NO.	STOCKED	GROUP Power Plant						UNITS PER ASSY	PROPERTY CLASSIFICATION			
			MAJOR ASSEMBLY Installation - Fuel System							U.S. NAVY	U.S. ARMY	BRITISH	
			PART NUMBER	1	2	3	4	5					6
		S	D179710-7							1		01-H	
		S	D179710-9							1		01-H	
		S	AC745-5A							2		04-A	
		S	D179710-13							1		01-H	
		S	D173234							1		01-H	
			D173234-1							1		01-H	
			D173234-2							1		01-H	
			D173234-3							2		01-H	
		S	AC300-20-5							23		29	
		S	AC366-F332							4		04-A	
		S	1/2							3		29	
		S	AN340-6							4		29	
		S	AN505-6-24							2		29	
		S	AN515-6-12							2		29	
		S	AN935-6							2		29	
		S	AN936-6							2		29	
		S	AN960-6							6		04-A	
		S	D175211							1		01-H	
			D175211-2							1		01-H	
			D175211-4							2		01-H	
		S	AN340-6							2		29	
		S	AN515-6-8							1		29	
		S	AN515-6-12							1		29	
		S	AN935-6							2		29	
		S	AN960-6							4		04-A	
		S	D179610-2							1		01-H	
		S	D179610-9							1		01-H	
		S	D179610-10							1		01-H	
		S	1E-1184	(P)						1		03-F	
		S	S-177							1		01-H	
		S	39A4240							1		03-F	
		S	D17966-1							1		01-H	
		S	D17966-2							1		01-H	
		S	D17966-3							1		01-H	
		S	D17966-7							2		01-H	
		S	AN440-28							4		29	
		S	324 SEE	(P)						1		04-A	
		S	AN380-2-2							2		29	
		S	AN393-9							2		04-A	
		S	AN4-4							2		04-A	
		S	AN310-4							2		04-A	
		S	AN330-2-2							2		29	
		S	D17966-4							1		01-H	
		S	D17966-5							1		01-H	
		S	D17966-7							2		01-H	
		S	AN440-28							4		29	
		S	324 SEE	(P)						1		04-A	
		S	AN380-2-2							2		29	
		S	AN393-9							2		04-A	
		S	AN4-4							2		04-A	
		S	AN310-4							2		04-A	
		S	AN380-2-2							2		29	

RESTRICTED

RESTRICTED

T. O. No. 01-90CC-4

SECTION II—GROUP ASSEMBLY PARTS LISTS

FIG. NO.	INDEX NO.	STOCKED	GROUP Power Plant						UNITS PER ASSY	PROPERTY CLASSIFICATION															
			MAJOR ASSEMBLY Installation - Fuel System							U.S. NAVY	U.S. ARMY	BRITISH													
			PART NUMBER	1	2	3	4	5					6	NOMENCLATURE											
27	22	S	D17971															Tank - Front fuel	1		01-H				
		S	D17971-1																Sheet - Fuel tank wrapper	1		01-H			
			D17971-2																Sheet - Fuel tank	1		01-H			
			D17971-3																Sheet - Fuel tank end	1		01-H			
			D17971-4																Sheet - Fuel tank end	1		01-H			
			D17971-6																Baffle - Fuel tank	1		01-H			
			D17971-7																Baffle - Fuel tank	1		01-H			
			D17971-8																Baffle - Fuel tank	1		01-H			
			D17971-9																Baffle - Fuel tank	1		01-H			
			D17971-10																Baffle - Fuel tank	1		01-H			
			D17971-14																	Tube - Fuel tank vent	2		01-H		
			D17971-16																	Tube - Fuel tank	1		01-H		
	D17971-17																	Tube - Fuel tank drain	1		01-H				
27	33	S	D179713																Nut - Fuel tank gage	3		01-H			
		S	D17984-1																Gage Assembly - Fuselage gas tank	1		01-H			
		S	D17984-4																Plate - Gage reinforcement	1		01-H			
		S	AN455AD3-4																	Rivet - Brazier head	4		29		
			D17984-6																	Tube - Extension support	1		01-H		
		S	D17984-7																	Rod - Welding	1		01-H		
		S	No number (P)																	Gage - Standard gas gage (1932 model) (Chevrolet)	1				
		S	AC365-1032																		Nut - Self-locking	2		04-A	
		S	AN425AD3-4																		Rivet - 78° countersunk head	2		29	
		S	AC995-C40-6																		Wire - For locking	1		04-A	
		S	103111																		Placard - Fuel and oil tank	1		01-H	
		S	103326																		Clip Assembly - Fuel and oil tank bonding	2		01-H	
S	103326-2																		Clip - Fuel and oil tank bonding	1		01-H			
S	AC366-832																		Nut - Plate	1		04-A			
S	AN425AD3-4																		Rivet - 78° countersunk head	2		29			
S	103637																		Placard - Tank identification	1		01-H			
S	AN430AD4-4																		Rivet - Round-head	2		29			
S	S-173																		Fitting - Fuel tank 3/8 pipe	1		01-H			
S	S-174-1																		Fitting - Fuel tank 1/4 pipe	1		01-H			
S	S-191																		Plate Assembly - Gas gage mounting	1		01-H			
S	S-191-1																		Plate - Gas gage mounting	1		01-H			
S	10-32																		Screw - Round-head machine	5		29			
S	S-192																		Gasket - Gas gage	2					
S	661 (P)																		Gasket (Garlock)	1		29			
S	AC895-B71																		Fitting - Pipe plug, square head	1		04-A			
S	D179711																		Spacer - Fuselage front fuel tank side	2		01-H			
S	D179712																		Spacer - Fuselage front fuel tank top	2		01-H			
27	23	S	D179721																	Neck Assembly - Front fuselage gas tank filler	1		01-H		
			D179721-1																	Tube - Filler neck	1		01-H		
			D179721-2																	Tube - Filler neck	1		01-H		
			D179724																	Well - Front fuselage fuel tank filler neck	1		01-H		
		S	S-2A (P)																	Neck - Filler (Middletown)	1		01-H		
		S	AN545-B3-4																	Screw - Flathead	4		29		
S	AC350-8																		Elbow - Hose, fuel and oil	1		04-A			
27	24	S	E17974																	Vent Assembly - Fuselage gas tank	2		01-H		
		S	E17974-1																	Vent Assembly - Fuselage gas tank	2		01-H		

RESTRICTED

RESTRICTED

T. O. No. 01-90CC-4

SECTION II—GROUP ASSEMBLY PARTS LISTS

FIG. NO.	INDEX NO.	S T O C K E D	GROUP Power Plant						UNITS PER ASSY	PROPERTY CLASSIFICATION			
			MAJOR ASSEMBLY Installation - Fuel System							U.S. NAVY	U.S. ARMY	BRITISH	
			PART NUMBER	1	2	3	4	5					6
27	25	S	E17974-2							1		01-H	
		S	E17974-3							1		01-H	
		S	105933-6							4		04-A	
		S	FB8A	(P)						4		04-A	
		S	AC365-832							4		04-A	
		S	AN515-8-10							4		29	
		S	AC755-18							2		04-A	
		S	AC755-20							2		04-A	
		S	AC884-8-9							2		04-B	
		S	AN960-8							4		04-A	
		S	D17975 LH							1		01-H	
		S	D17975-1							1		01-H	
		S	D17975-2							1		01-H	
		S	D17975-3							1		01-H	
		S	D17975-9							1		01-H	
		S	AN430-AD4-5							2		29	
		S	D17975-16							1		01-H	
		S	D17975-4 LH							1		01-H	
		S	D17975-4 RH							1		01-H	
		S	D17975-5							1		01-H	
		S	D17975-6							1		01-H	
		S	D17975-12							1		01-H	
		S	D17975-13							1		01-H	
		S	D17975-14							1		01-H	
		S	D17975-15							1		01-H	
S	D171056							1		01-H			
S	1516280	(P)						1		05-D			
S	D179602							1		01-H			
S	D179602-1							1		01-H			
S	AN520-10-12							5		29			
S	100696-D12-07-003							5		01-H			
S	AC365-1032							5		04-A			
S	AN425AD3-4							2		29			
S	AN960-10							5		04-A			
S	D179608-2							1		01-H			
S	D179608-4							1		01-H			
S	S-173							1		01-H			
S	D17973-3							1		01-H			
S	D17973-4							1		01-H			
S	103111							1		01-H			
S	103326							2		01-H			
S	103326-2							1		01-H			
S	AC366-832							1		04-A			
S	AN425AD3-4							2		29			
S	103637							1		01-H			
S	AN430AD4-4							2		29			
S	S-2	(P)						1		01-H			
S	S-174-2							1		01-H			
S	S-192							2		01-H			
S	661	(P)						1		29			
S	AN430-4-4							190		29			
S	AN895-B71							1		04-A			
S	D17975 RH							1		01-H			
S	D17975-1							1		01-H			
S	D17975-2							1		01-H			

RESTRICTED

T. O. No. 01-90CC-4

SECTION II—GROUP ASSEMBLY PARTS LISTS

FIG. NO.	INDEX NO.	STOCKED	GROUP Power Plant						UNITS PER ASSY	PROPERTY CLASSIFICATION		
			MAJOR ASSEMBLY Installation - Fuel System							U.S. NAVY	U.S. ARMY	BRITISH
			PART NUMBER	1	2	3	4	5				
		S	D17975-3						1		01-H	
		S	D17975-9						1		01-H	
		S	AN430AD4-5						2		29	
		S	D17975-16						1		01-H	
		S	D17975-4 LH						1		01-H	
		S	D17975-4 RH						1		01-H	
		S	D17975-5						1		01-H	
		S	D17975-6						1		01-H	
		S	D17975-12						1		01-H	
		S	D17975-13						1		01-H	
		S	D17975-14						1		01-H	
		S	D17975-15						1		01-H	
		S	D171056						1		01-H	
		S	1516280 (P)						1		05-D	
		S	D179602						1		01-H	
		S	D179602-1						1		01-H	
		S	AN520-10-12						5		29	
		S	100696-D12-07-003						5		01-H	
		S	AC365-1032						5		04-A	
		S	AN425AD3-4						2		29	
		S	AN960-10						5		04-A	
		S	D179608-3						1		01-H	
		S	D179608-5						1		01-H	
		S	S-173						1		01-H	
		S	D17973-3						1		01-H	
		S	D17973-4						1		01-H	
		S	103111						1		01-H	
		S	103326						2		01-H	
		S	103326-2						1		01-H	
		S	AC366-832						1		04-A	
		S	AN425AD3-4						2		29	
		S	103637						1		01-H	
		S	AN430-AD4-4						2		29	
		S	S-2 (P)						1		01-H	
		S	S-174-2						1		01-H	
		S	S-192						2		01-H	
		S	661 (P)						1		29	
		S	AN430-4-4						190		29	
		S	AN895-B71						1		04-A	
		S	D179833						1		01-H	
		S	D179833-2						1		01-H	
		S	AC850-4						1		04-A	
		S	AN875-4						1		04-A	
		S	103990-06						1		01-H	
		S	103990-09						1		01-H	
		S	104036-2-0100-4300						1		01-H	
		S	105933-4						1		04-A	
		S	105933-6						1		04-A	
		S	AC365-832						1		04-A	
		S	AN526-832-9						1		29	
		S	AN960-8						1		04-A	

RESTRICTED

RESTRICTED
T. O. No. 01-9000-4
SECTION II—GROUP ASSEMBLY PARTS LISTS

FIG. NO.	INDEX NO.	STOCKED	GROUP Power Plant						UNITS PER ASSY	PROPERTY CLASSIFICATION			
			MAJOR ASSEMBLY Installation - Fuel System							U.S. NAVY	U.S. ARMY	BRITISH	
			PART NUMBER	1	2	3	4	5					6
27	27	S	C-1A (1239) (P)										
		S	3303E4 (P)						1		03-I		
		S	No number (P)						1		29		
		S	No number (P)						1		29		
		S	No number (P)						1		29		
		S	No number (P)						1		29		
		S	No Number (P)						1		29		
		S	AN4-17						2		04-A		
		S	AN310-4						2		04-A		
		S	AC350-3						1		04-A		
		S	AC351-3						1		04-A		
		S	AC395-3						1		04-A		
		S	AC395-B72						1		04-A		
		S	AN960-416						2		04-A		
		S	AC995-C32-S						1		04-A		
27	28	S	LS-5 (P)						1		05-D		
		S	AC365-332						2		04-A		
		S	AN515-S-3						2		29		
		S	AN960-8						2		04-A		
		S	AC311JT-4D						2		04-A		
27	29	S	R x D 1563 (P)						1		03-I		
		S	RB-3877						1		03-I		
		S	SRA-1907						1		03-I		
		S	RA-2938						1		03-I		
		S	RA-1903						2		03-I		
		S	RA-1910						1		03-I		
		S	RA-1905						1		03-I		
		S	RA-1904						1		03-I		
		S	RA-1389						2		03-I		
		S	RA-1895						2		03-I		
		S	RA-1906						1		03-I		
		S	RA-1333						2		03-I		
		S	RA-1394						1		03-I		
		S	RA-1896						2		03-I		
		S	RA-1909						1		03-I		
		S	SRB-1900						1		03-I		
		S	RA-1751						1		03-I		
		S	RA-1756						1		03-I		
		S	RA-1752						1		03-I		
		S	RA-3434						1		03-I		
		S	RA-3406						1		03-I		

* Furnished as assembly only
** Generally furnished as assembly
Parts marked # are furnished separately for repair

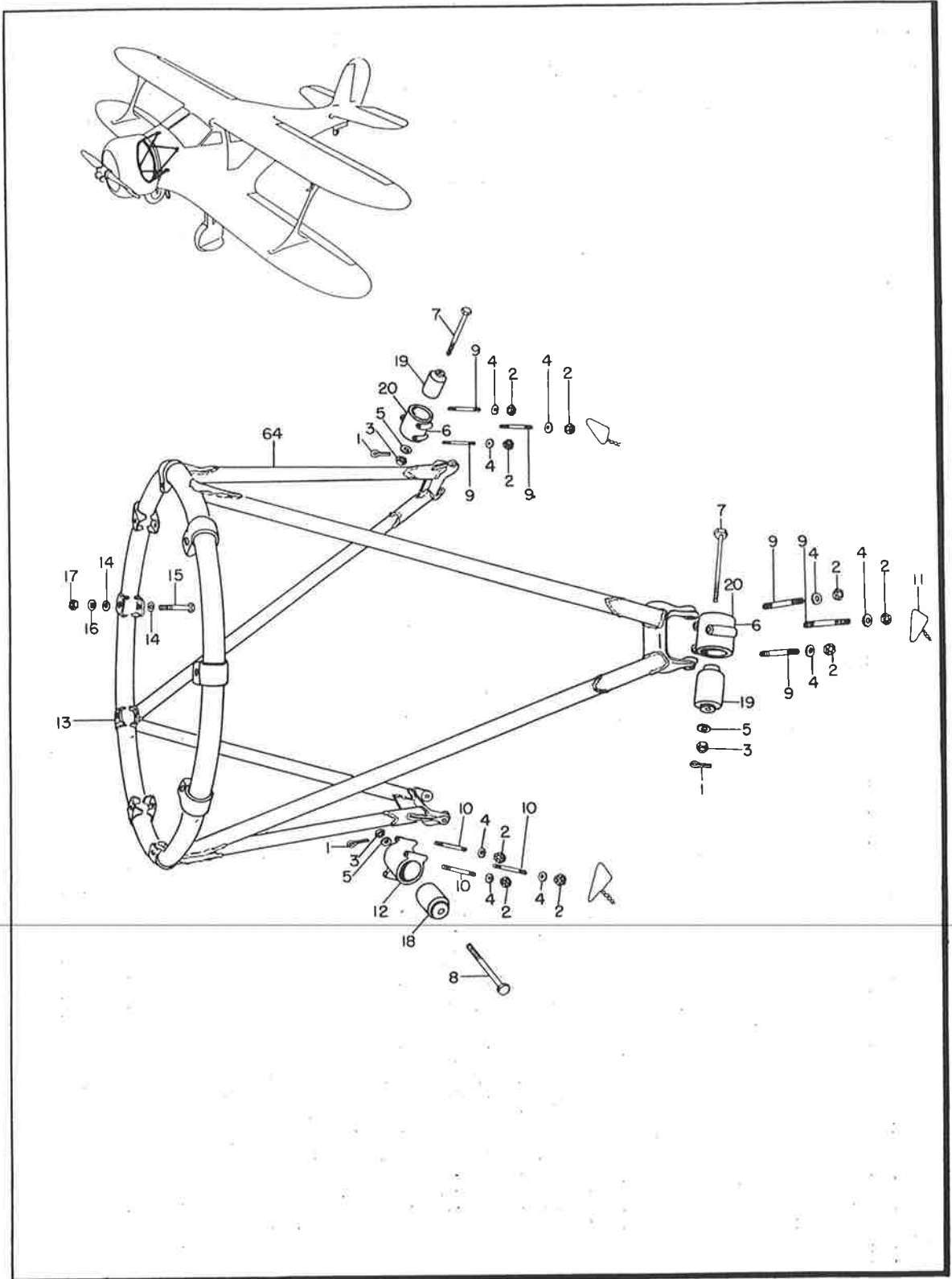


Figure 28 - Engine Mount Assembly

RESTRICTED

T. O. No. 01-90CC-4

SECTION II—GROUP ASSEMBLY PARTS LISTS

FIG. NO.	INDEX NO.	STOCKED	GROUP Power Plant						UNITS PER ASSY	PROPERTY CLASSIFICATION			
			MAJOR ASSEMBLY	Installation - Fuel System						U.S. NAVY	U.S. ARMY	BRITISH	
				Part Number	1	2	3	4					5
		S	RA-3494							1		03-I	
		S	RA-1746							1		03-I	
		S	RA-1747							1		03-I	
		S	RA-1748							1		03-I	
		S	RA-1750							1		03-I	
		S	RA-1749							1		03-I	
		S	RA-1753							1		03-I	
		S	RA-1898							1		03-I	
		S	RA-1897							1		03-I	
		S	No number							1		03-I	
		S	RA-3318							1		03-I	
		S	500A10-10							8		29	
		S	RA-4203							8		03-I	
		S	AN535-00-2							29		29	
		S	RA-3540-3							2		03-I	
		S	RA-3540-4							2		03-I	
		S	ACS50-8							1		04-A	
		S	ACS51-8							1		04-A	
		S	ACS95-84							2		04-A	
27	30	S	29844 (P)							1		03-I	
		S	ACS11FT4D							2		04-A	
		S	81092B-14 (P)							1		04-B	
		S	UB-401648 (P)							1			
28	64	S	D17S9100							1		01-H	
		S	D17S9100-1							1		01-H	
		S	D17S9100-2							2		01-H	
		S	D17S9100-3							2		01-H	
		S	D17S9100-4							2		01-H	
		S	D17S9100-9							1		01-H	
		S	D17S9100-12							2		01-H	
		S	D17S9100-13							1		01-H	
		S	D17S9100-14							1		01-H	
		S	D179103							2		01-H	
		S	D17S9100-10							1		01-H	
		S	D17S9100-5							1		01-H	
		S	D17S9100-6							1		01-H	
		S	201787							1		01-H	
		S	D17S9100-11							1		01-H	
		S	D17S9100-5							1		01-H	
		S	D17S9100-6							1		01-H	
		S	201787							1		01-H	
		S	E17B9101							2		01-H	
		S	D17S9103							2		01-H	
		S	S-14							9		01-H	
			* Furnished as assembly only										

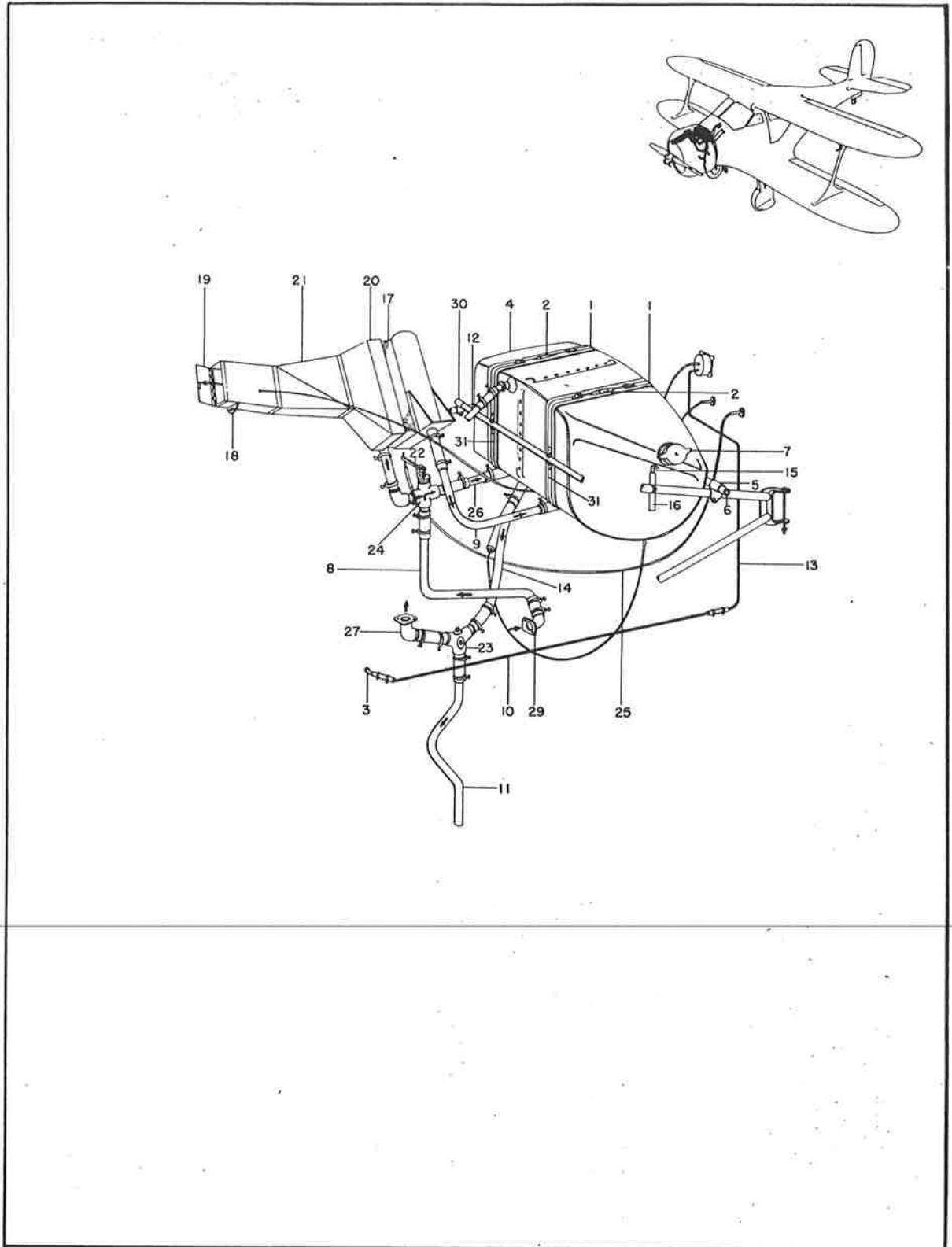


Figure 29 - Installation - Oil System

RESTRICTED

T. O. No. 01-90CC-4

SECTION II—GROUP ASSEMBLY PARTS LISTS

FIG. NO.	INDEX NO.	STOCKED	GROUP Power Plant						UNITS PER ASSY	PROPERTY CLASSIFICATION			
			MAJOR ASSEMBLY Installation - Oil System							U.S. NAVY	U.S. ARMY	BRITISH	
			PART NUMBER	1	2	3	4	5					6
29	30	S	D179807							1		01-H	
		S	D17S9665							1		01-H	
		S	D17S9666							1		01-H	
			D17S9666-1							2		01-H	
			D17S9666-2							1		01-H	
			562-D-8	(P)						2		01-C	
		S	D17S9667							2		01-H	
			D17S9667-1							1		01-H	
			D17S9667-2							1		01-H	
		S	AN3-7							2		04-A	
	S	AN310-3							2		04-A		
	S	AN380-2-2							2		29		
	S	AN4-10							2		04-A		
	S	AN310-4							2		04-A		
	S	AN380-2-2							2		29		
	29	1	S	D17S9671-1						2		01-H	
	S	D17S9671-4							1		01-H		
	S	AN440-28							2		29		
	S	D17S9671-5							2		01-H		
	S	AN440-28							2		29		
S	D17R9672							2		01-H			
S	AN440-28							4		29			
29	2	S	AN140-88						1		04-A		
S	AN155-88							1		04-A			
S	AN170-81S							1		04-A			
S	AN170-8RS							1		04-A			
S	AC995-C40-18							1		04-A			
S	AN380-2-2							2		29			
S	AN393-9							2		04-A			
S	AN3-12							2		04-A			
S	AN310-3							2		04-A			
S	AN380-2-2							2		29			
29	31	S	D17S9671-7						1		01-H		
S	D17S9671-9							2		01-H			
S	D17S9671-8							1		01-H			
S	AN440-28							4		29			
S	AN3-12							2		04-A			
S	AN310-3							2		04-A			
S	AN380-2-2							2		29			
29	3	S	AN456-AD4-4						2		29		
S	189746							1		01-H			
		S	189746-1						1		01-H		
		S	AC836-4						1		04-A		
29	4	S	AC995-C40-3						1		04-A		
S	D17S980-15							1		01-H			
S	D17S980-1							1		01-H			
S	D17S980-2							1		01-H			
S	D17S980-8							1		01-H			
S	D17S980-4							1		01-H			
S	D17S980-5							1		01-H			
S	D17S980-6							1		01-H			
S	S-50							1		01-H			

RESTRICTED

RESTRICTED
T. O. No. 01-90CC-4
SECTION II—GROUP ASSEMBLY PARTS LISTS

FIG. NO.	INDEX NO.	STOCKED	GROUP Power Plant						UNITS PER ASSY	PROPERTY CLASSIFICATION			
			MAJOR ASSEMBLY Installation - Oil System							U.S. NAVY	U.S. ARMY	BRITISH	
			PART NUMBER	1	2	3	4	5					6
29	5	S	AN455AD4-5							2		29	
		S	D17S980-12							1		01-H	
		S	D17S980-14							1		01-H	
		S	D17S980-18							1		01-H	
		S	189802							1		01-H	
		S	S-171							1		01-H	
		S	S-171-1							1		01-H	
		S	S-50							1		01-H	
		S	S-173							1		01-H	
		S	103111							1		01-H	
		S	103326							1		01-H	
		S	103326-2							1		01-H	
		S	AC366-832							1		01-A	
		S	AN425AD3-4							2		29	
		S	103637							1		01-H	
		S	AN430AD4-4	(P)						2		29	
		S	No number							1			
		S	AN455AD4-5							26		29	
		S	AC350-16							1		04-A	
		S	D17S9803 LH							1		01-H	
		S	D17S9803-1							1		01-H	
		S	562-D-8	(P)						1		01-C	
		S	AN3-11							1		04-A	
		S	AN4-10							1		04-A	
		S	AN310-3							1		04-A	
		S	AN310-4							1		04-A	
		S	AN380-2-2							2		29	
		S	D17S9803 RH							1		01-H	
		S	D17S9803-1							1		01-H	
		S	562-D-8	(P)						1		01-C	
S	AN3-11							1		04-A			
S	AN4-10							1		04-A			
S	AN310-3							1		04-A			
S	AN310-4							1		04-A			
S	AN380-2-2							2		29			
S	D179804							1		01-H			
S	D179806							1		01-H			
S	D179806-2							1		01-H			
S	IE-1184	(P)						1		03-F			
S	D179806-4							1		01-H			
S	2/0	(P)						1		29			
S	39A4240							2		03-F			
S	S-177							1		01-H			
S	D179803							1		01-H			
S	D179803-2							1		01-H			
S	562-D-8	(P)						1		01-C			
S	562-D-12	(P)						1		01-C			
S	AN3-7							1		04-A			
S	AN4-10							1		04-A			
S	AN310-3							1		04-A			
S	AN310-4							1		04-A			
S	AN380-2-2							2		29			
S	D179809							1		01-H			
S	D179809-2							1		01-H			
S	562-D-8	(P)						1		01-C			
S	562-D-12	(P)						1		01-C			
S	AN3-7							1		04-A			
S	AN4-10							1		04-A			
S	AN310-3							1		04-A			

RESTRICTED

RESTRICTED
T. O. No. 01-90CC-4
SECTION II—GROUP ASSEMBLY PARTS LISTS

FIG. NO.	INDEX NO.	STOCKED	GROUP Power Plant						UNITS PER ASSY	PROPERTY CLASSIFICATION						
			MAJOR ASSEMBLY Installation - Oil System							U.S. NAVY	U.S. ARMY	BRITISH				
			PART NUMBER	1	2	3	4	5					6	NOMENCLATURE		
29	8	S	AN310-4								1			04-A		
		S	AN380-2-2									2			29	
		S	D179810									1			01-H	
29	9	S	AC835-16								1			04-A		
		S	AC851-16								1			04-A		
		S	D179811									1			01-H	
29	26	S	AC850-16								1			04-A		
		S	D179812								1			01-H		
		S	D179813									1			01-H	
29	10	S	1/8 G.D.-45 (P)								1			04-A		
		S	D179814								1			01-H		
		S	AN931-16-22									1			04-B	
29	12	S	D179815								1			01-H		
		S	FB8A (P)								2			04-A		
		S	AC851-8									1			04-A	
29	13	S	AC884-8-11								1			04-B		
		S	D179816								1			01-H		
		S	D179816-1									1			01-H	
29	14	S	AC811T-4CS								1			04-A		
		S	AC811BT-4D								1			04-A		
		S	AC365-832									2			04-A	
29	15	S	AN515-8-10								2			29		
		S	AN931-4-16								1			04-B		
		S	100951-L040-005-024									2			01-H	
29	16	S	105933-4C								2			04-A		
		S	D179818								1			01-H		
		S	102426									1			01-H	
29	17	S	102425								1			01-H		
		S	102427								1			01-H		
		S	D179817									1			01-H	
29	18	S	AC851-16								1			04-A		
		S	D179819								1			01-H		
		S	D179820									1			01-H	
29	19	S	562-D-8 (P)								1			01-C		
		S	AN3-16								2			04-A		
		S	AN4-10									1			04-A	
29	20	S	AN310-3								2			04-A		
		S	AN310-4								1			04-A		
		S	AN380-2-2									3			29	
29	21	S	AN960-10								4			04-A		
		S	D179823								1			01-H		
		S	D179824									1			01-H	
29	22	S	D179824-2								2			01-H		
		S	D179824-4								1			01-H		
		S	D179824-4									1			01-H	

RESTRICTED

T. O. No. 01-9000-4

SECTION II—GROUP ASSEMBLY PARTS LISTS

FIG. NO.	INDEX NO.	STOCKED	GROUP Power Plant						UNITS PER ASSY	PROPERTY CLASSIFICATION				
			MAJOR ASSEMBLY Installation - Oil System							U.S. NAVY	U.S. ARMY	BRITISH		
			PART NUMBER	1	2	3	4	5					6	NOMENCLATURE
29	17	S	D179826							1		01-H		
			D179826-2							1		01-H		
			561-D-8 (P)							1		01-C		
		S	AN3-7A						Bolt - Aircraft No. 10-32	1		04-A		
		S	AC365-1032						Nut - Self-locking	1		04-A		
		S	94-189850						Radiator - Oil LH	1		01-H		
		S	E-703-1 (P)						Radiator (G and O)	1				
		S	AN4-11A						Bolt - Aircraft 1/4-28	4		04-A		
		S	AC365-428						Self-locking	4		04-A		
		S	AN960-416						Washer - Plain	12		04-A		
			D179883						Installation - Oil radiator air ducts	1		01-H		
		29	18	S	D179059					Support - Oil radiator duct front	1		01-H	
				S	AC365-632					Nut - Self-locking	2		04-A	
				S	AN515-6-8					Screw - Round-head	2		29	
				S	AN960-6					Washer - Plain	2		29	
		29	19	S	D179871					Valve Assembly - Oil radiator air scoop	1		01-H	
					D179871-1					Sheet - Oil radiator air scoop valve	1		01-H	
				S	AN425AD4-4					Rivet - 78° countersunk head	2		29	
				S	AN455-AD3-4					Rivet - Brazier head	12		29	
					D179871-2					Plate - Reinforcement	1		01-H	
			AN455AD-4					Rivet - Brazier head	34		29			
			D179871-3					Plate - Oil radiator air scoop valve	1		01-H			
			D179871-4					Hinge - Oil radiator air scoop valve	1		01-H			
		S	101815-00628					Hinge - 1-1/16 aluminum alloy	1		01-H			
		S	AN455AD3-4					Rivet - Brazier head	11		29			
		S	D179873-1					Arm - Oil radiator air scoop	1		01-H			
		S	AN455AD3-4					Rivet - Brazier head	2		29			
		S	D179873-2					Stop - Oil radiator air scoop	1		01-H			
		S	AN455AD3-5					Rivet - Brazier head	3		29			
		S	S-59					Clamp - U shaped arens control	1		01-H			
		S	AN315-3R					Nut - Aircraft plain	1		04-A			
		S	AC365-1032					Nut - Self-locking	1		04-A			
		S	AN526-1032-16					Screw - Buttonhead	1		29			
		S	AN960-10					Washer - Plain	1		04-A			
29	20	S	AC365-632					Nut - Self-locking	2		04-A			
		S	AN515-6-8					Screw - Round-head	2		29			
		S	AN960-6					Washer - Plain	2		04-A			
		S	D179876					Duct Assembly - Oil radiator rear air	1		01-H			
			D179873					Deflector - Oil radiator air duct	1		01-H			
		S	AN430AD4-4					Rivet - Round-head	2		29			
			D179877					Base - Oil radiator rear air duct	1		01-H			
			D179879					Side - Oil radiator rear air duct	1		01-H			
			D179881					Top - Oil radiator rear air duct	1		01-H			
		S	AN430AD4-4					Rivet - Round-head	4		29			
		S	AC365-832					Nut - Self-locking	6		04-A			
		S	AN515-8-8					Screw - Round-head	9		29			
		S	AN960-8					Washer - Plain	6		04-A			
			104036-2-0012-3314					Pad - Felt	1		01-H			

RESTRICTED

RESTRICTED
T. O. No. 01-90CC-4
SECTION II—GROUP ASSEMBLY PARTS LISTS

FIG. NO.	INDEX NO.	STOCK E	GROUP Power Plant						UNITS PER ASSY	PROPERTY CLASSIFICATION			
			MAJOR ASSEMBLY Installation - Oil System							U.S. NAVY	U.S. ARMY	BRITISH	
			PART NUMBER	1	2	3	4	5					6
29	21	S	D179S78							1		01-H	
		S	D179S78-1							1		01-H	
29	22	S	AN430AD3-4							9		29	
		S	AC365-832							4		04-A	
		S	AN515-8-8							4		29	
		S	AN960-8							4		04-A	
		S	18S992							1		01-H	
		S	18S992-1							2		01-H	
		S	18S992-2							2		01-H	
		S	1/8 x 9/32							2		29	
		S	AN3-10							1		04-A	
		S	S-207-6A							1		01-H	
		S	AN4-6A							1		04-A	
		S	AN310-3							1		04-A	
		S	AN316-4R							1		04-A	
		S	AC365-428							1		04-A	
		S	AN330-2-2							1		29	
		29	23	S	AN960-416							1	
S	37D6114-4									1		03-I	
S	36A4250									1		03-I	
S	36A4251									1		03-I	
S	36A4252									1		03-I	
S	36A4253									1		03-I	
S	36A4254									1		03-I	
S	37D6104									1		03-I	
S	895B7C									1		03-I	
29	24			S	S-80							1	
		S	S-81							1		01-H	
		S	S-82							1		01-A	
		S	S-83							1		01-H	
		S	AN3-16A							1		04-A	
		S	10-32							1		04-A	
		S	S-84							1		01-H	
		S	S-85							1		01-H	
		S	S-86							1		01-H	
		S	S-87							1		01-H	
		S	S-88							1		01-H	
		S	S-89							1		01-H	
		S	10-32							1		04-A	
		S	C-193 (P)							1		29	
		S	AC835-16							1		04-A	
		29	25	S	AC850-16							1	
S	S-175-5 5/12									1		01-H	
39	56	S	P33484 (P)							1		03-F	
		S	AN340-8							3		29	
		S	AC365-832							3		04-A	
		S	AN515-8-18							3		29	
		S	AN931-4-7							1		04-B	
		S	AN960-8							3		04-A	
		S	100696-DS-06-016							3		01-H	
		S	100951-S038-006-024							3		01-H	
		S	105933-4							3		04-A	
		29	27	S	FB16A (P)							22	
S	AC850-16									1		04-A	

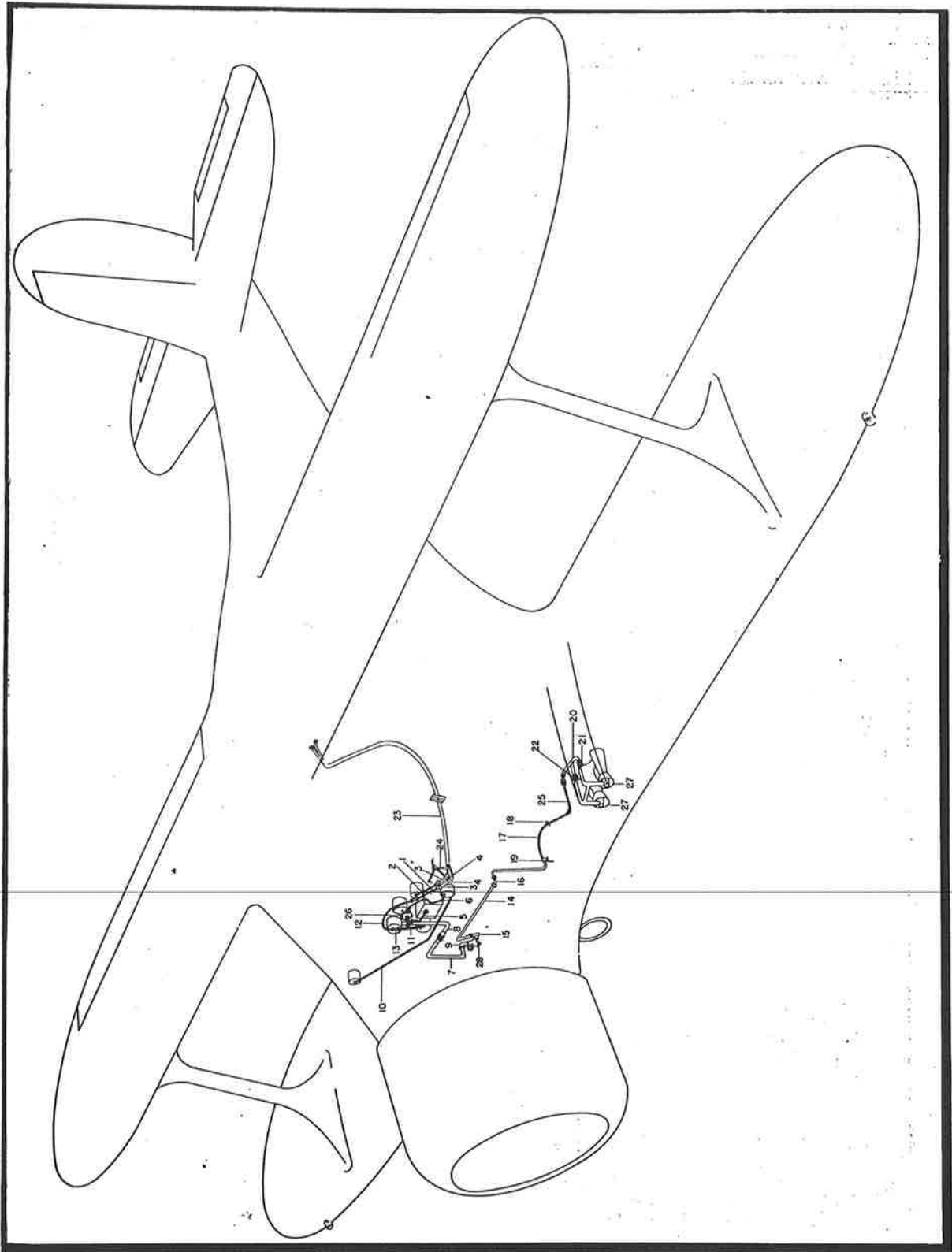


Figure 30 - Instrument Piping Installation

RESTRICTED

T. O. No. 01-90CC-4
SECTION II—GROUP ASSEMBLY PARTS LISTS

FIG. NO.	INDEX NO.	SYMBOL	GROUP Power Plant						UNITS PER ASSY	PROPERTY CLASSIFICATION							
			MAJOR ASSEMBLY		Installation - Oil System					U.S. NAVY	U.S. ARMY	BRITISH					
			Installation - Instrument Piping		1	2	3	4					5	6	NOMENCLATURE		
29	29	S	AC884-16-11									10				04-B	
		S	AC884-16-16									1				04-B	
		S	A10898 (P)									2				02-H	
		S	81092B-14 (P)									1				04-B	
		S	104036-2-0108									1				01-H	
		S	106200-4-16									2				01-H	
		S	FBL4 (P)									8				04-A	
30	1	S	*D170305									1				01-H	
		S	D170308									1				01-H	
		S	D170308-2									1				01-H	
		S	AC811-T-3CS									1				04-A	
		S	AC811-BT-3D									1				04-A	
30	2	S	D170309									1				01-H	
		S	D170309-2									1				01-H	
		S	AC811-T-3CS									1				04-A	
		S	AC811-BT-3D									1				04-A	
30	3	S	D170482									2				01-H	
		S	AN340-8									4				29	
		S	AN515-8-8									4				29	
30	4	S	AC735-6									4				04-A	
		S	AN935-8									4				29	
		S	AN960-8									4				04-A	
30	5	S	D170312									1				01-H	
		S	D170312-2									1				01-H	
		S	AC811-T-6NS									2				04-A	
		S	AC811-BT-6D									2				04-A	
		S	AC811-CT-6									1				04-A	
30	6	S	D170313									1				01-H	
		S	D170313-2									1				01-H	
		S	AC811-T-6NS									2				04-A	
		S	AC811-BT-6D									2				04-A	
		S	AC811-CT-6									1				04-A	
30	7	S	D170314									1				01-H	
		S	D170314-2									1				01-H	
		S	AC811-T-8NS									2				04-A	
		S	AC811-BT-8D									2				04-A	
30	8	S	AC39B3481-816									1				04-B	
30	9	S	AC811-CT-8									1				04-A	
30	10	S	D170315									1				01-H	
		S	D170315-2									1				01-H	
		S	AC811-T-4NS									2				04-A	
		S	AC811-BT-4D									2				04-A	
		S	AC811-CT-4D									1				04-A	
			* Used on airplanes 32992 to 33003 inclusive, and 33004 to 33015 inclusive														

RESTRICTED
T. O. No. 01-90CC-4
SECTION II—GROUP ASSEMBLY PARTS LISTS

FIG. NO.	INDEX NO.	S P R E C I F I C A T I O N	GROUP Power Plant						UNITS PER ASSY	PROPERTY CLASSIFICATION				
			MAJOR ASSEMBLY Installation - Instrument Piping							U.S. NAVY	U.S. ARMY	BRITISH		
			PART NUMBER	1	2	3	4	5					6	NOMENCLATURE
30	11	S	AC811CT8						Elbow - 90°	1		04-A		
		S	AC811-CT-45-4						Elbow - 45°	1		04-A		
		S	AC895-80						Bushing	1		04-A		
		S	D170316						Piping Assembly - Altimeter and vertical speed indicator control	1		01-H		
30	12	S	D170316-2						Tube - Altimeter and vertical speed indicator control	1		01-H		
		S	AC811-T-3CS						Sleeve	2		04-A		
		S	AC811-BT-3D						Nut	2		04-A		
		S	AC811-CT-3						Elbow - 90°	1		04-A		
30	13	S	D170317						Piping Assembly - Air speed and vertical speed indicator connecting	1		01-H		
		S	D170317-2						Tube - Air speed and vertical speed indicator connecting	1		01-H		
		S	AC811-T-3CS						Sleeve	2		04-A		
		S	AC811-BT-3D						Nut	2		04-A		
30	14	S	AC811-ST-3					Tee	2		04-A			
30	14	S	D170319					Piping Assembly - Vacuum selector valve and venturi connecting	1		01-H			
30	15	S	D170319-2						Tube - Vacuum selector valve and venturi connecting	1		01-H		
		S	AC811-T-8NS						Sleeve	2		04-A		
		S	AC811-BT-8D						Nut	2		04-A		
		S	AC811-CT-8D						Elbow - 90°	1		04-A		
30	16	S	AC811-ET-8D					Elbow - 90°	1		04-A			
30	17	S	D170322					Piping Assembly - Vacuum selector valve and venturi connecting	1		01-H			
30	18	S	D170322-2						Tube - Vacuum selector valve and venturi connecting	1		01-H		
		S	AC811-T-8NS						Sleeve	2		04-A		
		S	AC811-BT-8D						Nut	2		04-A		
		S	AC365-832						Nut	4		04-A		
		S	AN515-8-6						Screw	1		29		
		S	AN515-8-8						Screw	3		29		
		S	AC735-6						Clamp	1		04-A		
		S	AC735-8						Clamp	1		04-A		
		S	AN931-8-13						Grommet	1		04-B		
		S	AN960-8						Washer	1		04-A		
		30	19	S	N.A.F.214011-15					Clamp	1		04-A	
		30	20	S	D170324					Tube Assembly - Venturi connecting	1		01-H	
30	21	S	D170324-2						Tube - Venturi connecting	1		01-H		
		S	D170324-3						Tube - Venturi connecting	1		01-H		
		S	AC811-T-6NS						Sleeve	2		04-A		
		S	AC811-BT-6D						Nut	2		04-A		
		S	AC811-T-8NS						Sleeve	1		04-A		
		S	AC811-BF8D						Nut	1		04-A		
		S	AC811-FT-6D						Nipple	2		04-A		
		S	AC811HT-8D						Union	1		04-A		
		S	D171741						Tube Assembly - Air speed connecting	1		01-H		
		S	D171741-2						Tube - Air speed connecting	2		01-H		
		S	AC811-T-3CS						Sleeve	2		04-A		
		30	24	S	AC811-BT-3D						Nut	2		04-A
S	103990-06-6000								Lock	1		01-H		
S	AC811FT3								Nipple	1		04-A		
S	AN931-6-10								Grommet	1		04-B		
S	6AJ8-8 (P)								Jumper (Thomas & Betts)	1		08-B		
S	AN340-8								Nut	1		29		
S	AN520-8-8								Screw	1		29		
S	AC755-3								Clamp	2		04-A		
S	AN935-8								Washer	1		29		
S	AN960-9								Washer	1		04-A		
30	25			S	AC39B-3481-814					Hose	1		04-B	
30	26			S	200A (P)					Valve - Relief (Pump Engineering Co.)	1		03-I	
30		S	AC895-90						Nipple	1		04-A		
		S	AC895-82						Bushing	1		04-A		

RESTRICTED
T. O. No. 01-90CC-4
SECTION II—GROUP ASSEMBLY PARTS LISTS

FIG. NO.	INDEX NO.	STOCKED	GROUP Power Plant						UNITS PER ASSY	PROPERTY CLASSIFICATION			
			MAJOR ASSEMBLY Installation - Instrument Piping							U.S. NAVY	U.S. ARMY	BRITISH	
			PART NUMBER	1	2	3	4	5					6
30A	1	S	*D170490						1		01-H		
			D170308							1		01-H	
30A	2	S	D170308-2						1		01-H		
			AC811-BT-3D							1		04-A	
			AC811-T-3CS							1		04-A	
			D170309							1		01-H	
30A	11	S	D170309-2						1		01-H		
			AC811-BT-3D							1		04-A	
			AC811-T-3CS							1		04-A	
			D170316							1		01-H	
30A	12	S	D170316-2						1		01-H		
			AC811-BT-3D							2		04-A	
			AC811-T-3CS							2		04-A	
			D170317							1		01-H	
30A	3	S	D170317-2						1		01-H		
			AC811-BT-3D							1		04-A	
30A	6	S	AC811-T-3CS						1		04-A		
			D170482							2		01-H	
30A	7	S	D170483						1		01-H		
			D170483-2							1		01-H	
30A	8	S	AC811-BT-4D						2		04-A		
			AC811-T-4CS							2		04-A	
			D170484							1		01-H	
			D170484-2							1		01-H	
30A	23	S	AC811-BT-6D						2		04-A		
			AC811-T-6CS							2		04-A	
			D171741							1		01-H	
			D171741-2							2		01-H	
30A	9	S	AC811-BT-3D						2		04-A		
			AC811-T-3CS							2		04-A	
			103990-06-6000							1		01-H	
			3V-200 (P)							1		03-I	
30A	24	S	6AJ-8-8 (P)						1		03-B		
30A	4	S	AC39B3481-816						1		04-B		
			AC811-BT-8D							1		04-A	
			AN340-8							5		29	
			AN515-8-8							4		29	
30A	5	S	AN520-8-8						1		29		
			AAF735-6							4		04-A	
			AAF755-3							2		04-A	
			AAF811-CT-3							1		04-A	
30A	10	S	AAF811-FT-3						1		04-A		
			AAF811-ST-3							2		04-A	
			AAF811-CT-4D							1		04-A	
			AAF811-FT-4							1		04-A	
30A	5	S	AAF811-CT-6						1		04-A		
			AAF811-FT-8							1		04-A	
			AAF895-80							1		04-A	
			AAF895-82							1		04-A	
		S	AN911-2						1		04-A		
			AN913-1							1		04-A	
			*Used on airplanes 33016 to 33066 inclusive										

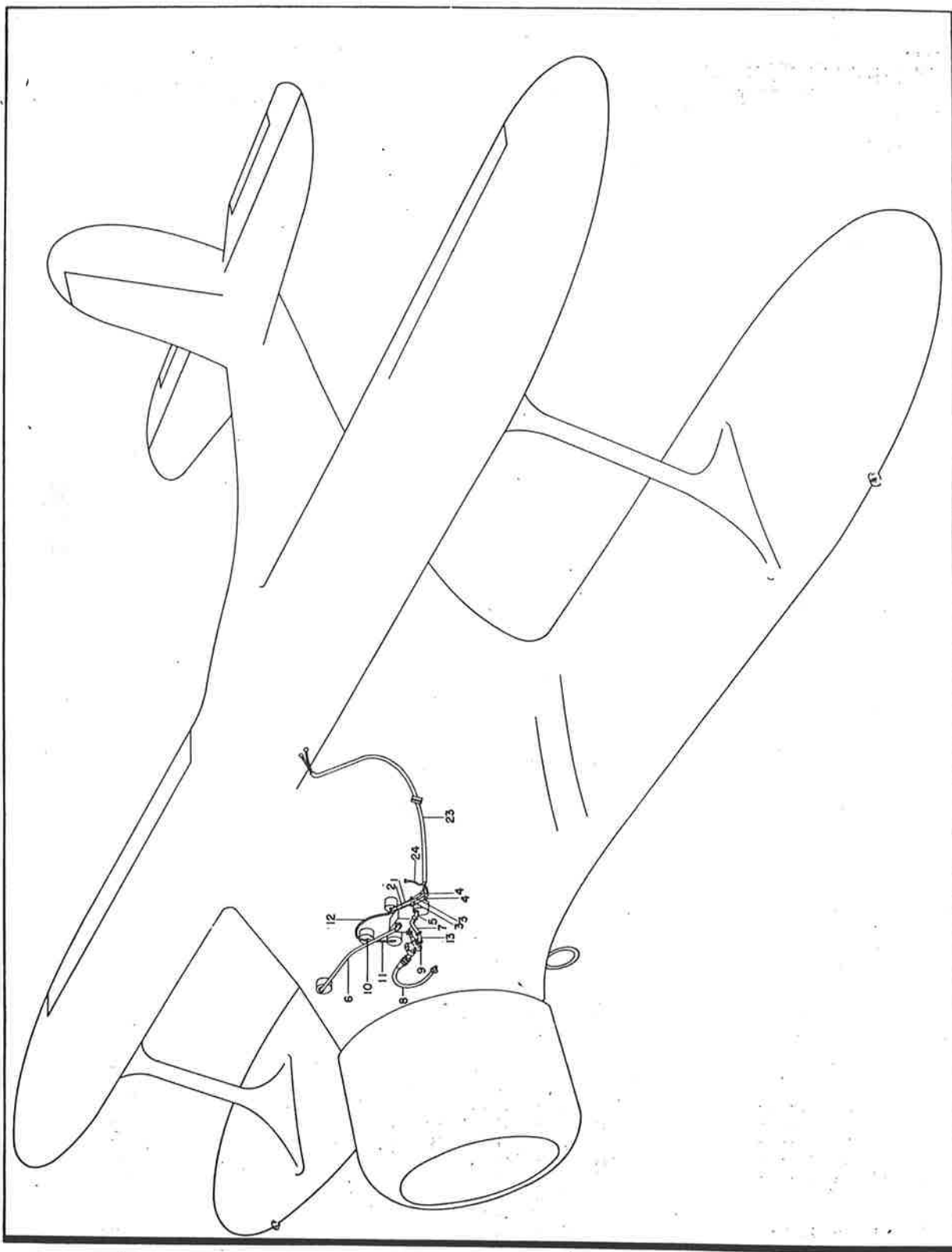


Figure 30A - Instrument Piping Installation

RESTRICTED

T. O. No. 01-90CC-4

SECTION II—GROUP ASSEMBLY PARTS LISTS

FIG. NO.	INDEX NO.	STOCKED	Power Plant Equipment						UNITS PER ASSY	PROPERTY CLASSIFICATION		
			Installation - Instrument Piping							U.S. NAVY	U.S. ARMY	BRITISH
			MAJOR ASSEMBLY Miscellaneous Tools and Equipment									
PART NUMBER	1	2	3	4	5	6	NOMENCLATURE					
30A	14	S	AN914-2					Elbow - Internal and external pipe thread	1		04-A	
		S	AN931-6-10					Grommet - Elastic	1		04-B	
		S	AN935-8					Washer - Medium spring lock	5		29	
		S	AN960-8					Washer - Plain	5		04-A	
			N D170032					Miscellaneous - Tools and equipment (Navy)			01-H	
31	1	S	D170017					List - GB-2 Government furnished equipment	1 pr.		01-H	
31	2	S	D170034	(P)				Cover - Engine (Ponca Tent and Awning Company)	1		01-H	
31	3	S	D170973					Sling Assembly - Hoisting	1		01-H	
		S	D170973-2					Cable - Hoisting	1		01-H	
		S	5/16					Clamp - Cable	4		29	
		S	AN100-10					Thimble	2		29	
		S	D170974					Tube Assembly - Hoisting sling	1		01-H	
		S	D170974-2					Tube - Hoisting sling	1		01-H	
		S	D170975					Bracket - Hoisting sling	2		01-H	
		S	D170982					Tube - Hoisting sling brace anchor LH	1		01-H	
			D170982-1					Tube - Hoisting sling brace anchor RH	1		01-H	
			D170976					Crotch Assembly - Hoisting sling	1		01-H	
			D170976-2					Tube - Hoisting sling crotch	2		01-H	
		S	D170977					Link - Hoisting sling	4		01-H	
		S	AN6-7					Bolt - Aircraft 3/8-24	4		04-A	
		S	AN315-6					Nut - Aircraft plain	4		04-A	
31	4	S	D173965					Plug Assembly - Cabin cold air	2		01-H	
		S	D173965-1					Plate Assembly - Cabin cold air	1		01-H	
		S	D173965-2					Plate - Cabin cold air plug	1		01-H	
		S	S-219					Nut - Tee (United-Carr No. 58023)	1		29	
		S	AN455AD3-3					Rivet - Brazier-head	2		29	
		S	D173965-3					Plate - Cabin cold air plug	1		01-H	
		S	AN526-832-16					Screw - Buttonhead	1		29	
		S	D173965-4					Plug - Cabin cold air rubber	1		01-H	
31	5	S	D173966					Plug - Cabin cold air	1		01-H	
31	6	S	D179585					Plug - Engine compartment cold air	2		01-H	
31	7	S	6H6	(P)				Rectifier (Bendix Radio)	1		Sig. Corps	
31	8	S	GR304	(P)				Hose - Brake bleeder (Western Auto)	1		29	
31	9	S	No Number					Envelope - Instrument instructions	1		No Part No.	
31	10	S	No Number					Can - One-half pint	1		No Part No.	
31	11	S	No Number					Envelope - Directional gyro instructions (Government furnished)	1		No Part No.	
31	27	S	No Number					Envelope - Gyro horizon instructions (Government furnished)	1		No Part No.	
31	12	S	No Number					Calculator - Horsepower	1		No Part No.	
31	13	S	No Number					Fluid - Brake			No Part No.	
31	28	S	No Number					Kit - Engine tool (Government furnished)	1		No Part No.	
31	14	S	No Number					Kit - First aid	1		No Part No.	
31	15	S	No Number					Manual - 110C Propeller (Government furnished)	1		30-A	
31	33	S	No Number					Manual - 121-A constant speed control (Government furnished)	1		30-A	
31	26	S	No Number					Manual - Pilot's information	2		30-A	
31	16	S	No Number					Manual - Airplane maintenance	1		30-A	
31	17	S	No Number					Manual - Cambridge fuel analyzer	1		30-A	
31	18	S	No Number					Manual - Fire extinguisher	1		30-A	
31	19	S	No Number					Manual - Pratt and Whitney (R-985-AN-3 engine) (Government furnished)	1		30-A	
31	20	S	No Number					Manual - Radio receiver	1		30-A	
31	21	S	No Number					Manual - Radio transmitter	1		30-A	
31	22	S	No Number					Manual - Starter instructions	1		30-A	
31	23	S	No Number					Set Assembly - Key	2		No Part No.	
		S	103197					Tag - Blank key	1		01-H	
		S	No Number					Key - Baggage door	1		No Part No.	
		S	No Number					Key - Cabin door	1		No Part No.	

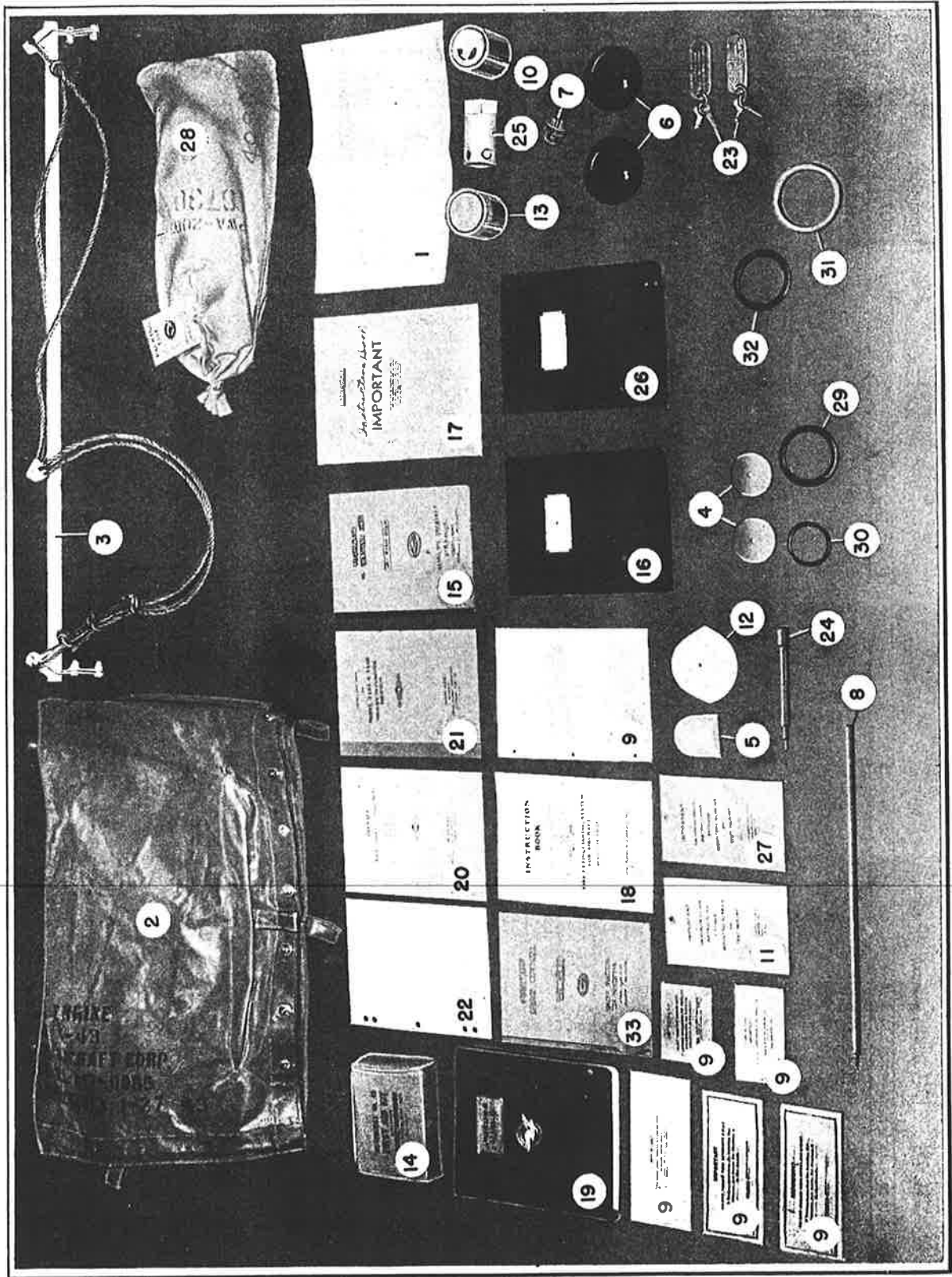


Figure 31 - Miscellaneous Tools and Equipment

RESTRICTED

T. O. No. 01-90CC-4

SECTION II—GROUP ASSEMBLY PARTS LISTS

FIG. NO.	INDEX NO.	STOCKED	GROUP Power Plant						UNITS PER ASSY	PROPERTY CLASSIFICATION		
			MAJOR ASSEMBLY Miscellaneous Tools							U.S. NAVY	U.S. ARMY	BRITISH
			PART NUMBER	1	2	3	4	5				
		S	No Number						1		No Part No.	
		S	No Number					Set Assembly - Propeller gasket (Government furnished)	1		No Part No.	
31	29	S	S8464					Gasket - Piston outboard (Government furnished)	1		03-A	
31	30	S	S8480					Washer - Front cone pack (Government furnished)	1		03-A	
31	31	S	50003					Gasket - Cylinder head (Government furnished)	1		03-A	
31	32	S	50285					Gasket - Piston inboard (Government furnished)	1		03-A	
		S	No Number					Tool Assembly - Propeller (Government furnished)	1		No Part No.	
31	24	S	51318					Tube - Propeller grease (Government furnished)	1		03-A	
31	25	S	52472D					Wrench - Propeller (Government furnished)	1		03-A	
		S	A D170033					Installation - Miscellaneous tools and equipment (Army)	1		01-H	
31A	2	S	D170034					Cover - Engine	1		01-H	
31A	1	S	D170018					List - C-43 government furnished equipment	1		01-H	
31A	3	S	D170973					Sling Assembly - Hoisting	1		01-H	
		S	D170973-2					Cable - Hoisting	1		01-H	
		S	5/16					Clamp - Cable	4		29	
		S	D170974					Tube Assembly - Hoisting sling	1		01-H	
		S	D170974-2					Tube - Hoisting sling	1		01-H	
		S	D170975					Bracket - Hoisting sling	2		01-H	
		S	D170982					Tube - Hoisting sling brace anchor LH	1		01-H	
		S	D170982-1					Tube - Hoisting sling brace anchor RH	1		01-H	
		S	D170976					Crotch Assembly - Hoisting sling	1		01-H	
		S	D170976-2					Tube - Hoisting sling crotch	2		01-H	
		S	D170977					Link - Hoisting sling	4		01-H	
		S	AN6-7					Bolt - Aircraft 3/8-24	4		04-A	
		S	AN315-6					Nut - Aircraft plain	4		04-A	
		S	AN100-10					Thimble - Wire cable	2		29	
31A	4	S	D173965					Plug Assembly - Cabin cold air	2		01-H	
		S	D173965-1					Plate Assembly - Cabin cold air plug	1		01-H	
		S	D173965-2					Plate - Cabin cold air plug	1		01-H	
		S	S-219					Nut - Tee United-Carr No. 58023	1		29	
		S	AN455AD3-3					Rivet - Brazier-head	2		20	
		S	D173965-3					Plate - Cabin cold air plug	1		01-H	
		S	AN526-832-16					Screw - Buttonhead	1		29	
		S	D173965-4					Plug - Cabin cold air rubber	1		01-H	
31A	5	S	D173966					Plug - Cabin cold air	1		01-H	
31A	6	S	D179585					Plug - Engine compartment cold air	2		01-H	
31A	7	S	6E6	(P)				Rectifier (Bendix Radio Corp.)	1		Sig. Corps	
31A	8	S	GR304	(P)				Hose - Brake bleeder (Western Auto)	1		29	
31A	9	S	No Number					Envelope - Instrument instructions	1		No Part No.	
31A	10	S	No Number					Can - One-half pint	1		No Part No.	
31A	11	S	No Number					Envelope - Directional gyro instruction (Government furnished)	1		No Part No.	
31A	27	S	No Number					Envelope - Gyro horizon instructions (Government-furnished)	1		No Part No.	
31A	12	S	No Number					Envelope - Horse power calculator	1		No Part No.	
31A	13	S	No Number					Fluid - Brake	1		No Part No.	
		S	No Number					"G" File	1		No Part No.	
31A	28	S	No Number					Kit - Engine tool	1		No Part No.	
31A	14	S	No Number					Kit - First aid	1		No Part No.	
31A	17	S	No Number					Manual - Cambridge fuel analyzer	1		30-A	
31A	18	S	No Number					Manual - Fire extinguisher	1		30-A	
31A	20	S	No Number					Manual - Radio receiver	1		30-A	

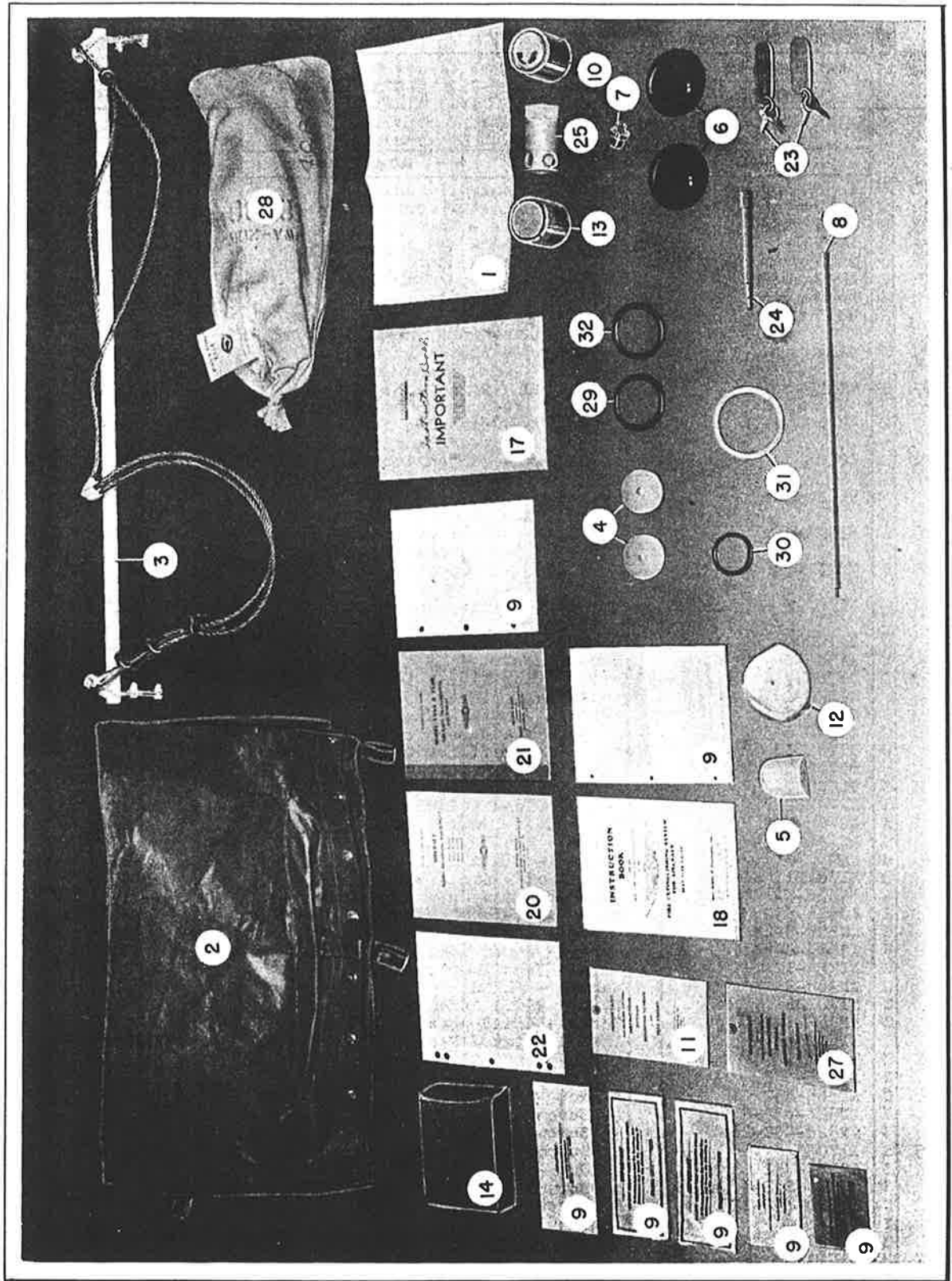


Figure 31A - Miscellaneous Tools and Equipment

RESTRICTED

T. O. No. 01-90CC-4

SECTION II—GROUP ASSEMBLY PARTS LISTS

FIG. NO.	INDEX NO.	STOCKED	GROUP Equipment						UNITS PER ASSY	PROPERTY CLASSIFICATION			
			MAJOR ASSEMBLY	1	2	3	4	5		6	NOMENCLATURE	U.S. NAVY	U.S. ARMY
			Installation - Miscellaneous Tools										
			Installation - Navy Designation Placard										
			Installation UC-43 Data Plate										
			Placard - Wing Fillet Terminal										
			Installation - Radio Equipment										
31A	21	S	No Number							1		30-A	
31A	22	S	No Number							1		30-A	
31A	23	S	No Number							2		No Part No	
		S	103197							1		01-H	
		S	No Number							1		No Part No.	
		S	No Number							1		No Part No.	
		S	No Number							1		No Part No.	
		S	No Number							1		No Part No.	
		S	No Number							1		No Part No.	
31A	29	S	S8464							1		03-A	
31A	30	S	S8480							1		03-A	
31A	31	S	50003							1		03-A	
31A	32	S	50285							1		03-A	
		S	No Number							1		No Part No.	
31A	24	S	51318							1		03-A	
31A	25	S	52472D							1		03-A	
		S	D170070							1		01-H	
		S	D170299							1		01-H	
		S	AN545-2-3							4		29	
		S	D170113							2		01-H	
		S	D170074							1		01-H	
		S	0153316-10							1		01-H	
		S	AN550-6-3							1		03-F	
		S	D170113							4		29	
		S	D170220							2		01-H	
32	1	S	D170220-2							1		01-H	
		S	D170221							1		01-H	
		S	AC365-832							1		01-H	
		S	AN505-8-28							2		04-A	
		S	AN960-8							2		29	
32	3	S	D170221							2		04-A	
		S	AN340-8							3		01-A	
		S	AC365-832							2		29	
		S	AN505-8-28							4		04-A	
		S	AN515-8-28							2		29	
		S	AC755-12							2		29	
		S	AN960-8							2		04-A	
		S	D170222							4		04-A	
		S	AN545-3-4							3		01-H	
		S	D170230							3		29	
32	4	S	D170231							1		01-H	
		S	AC365-632							2		01-H	
		S	AC365-832							1		04-A	
		S	AN526-632-8							1		04-A	
		S	AN526-832-26							1		29	
32	5	S	117054							1		29	
		S	AC365-832							4		01-H	
		S	AN526-832-8							8		04-A	
		S	AN526-832-12							2		29	
32	6	S	32 (P)							6		29	
		S	AN100-3							3		04-A	
32	7	S	W106A (P)							3		29	
		S	S-147							1		01-H	
		S	S-147-1							1		01-H	
		S	S-147-2							2		01-H	
		S	AC660-50							2		04-A	

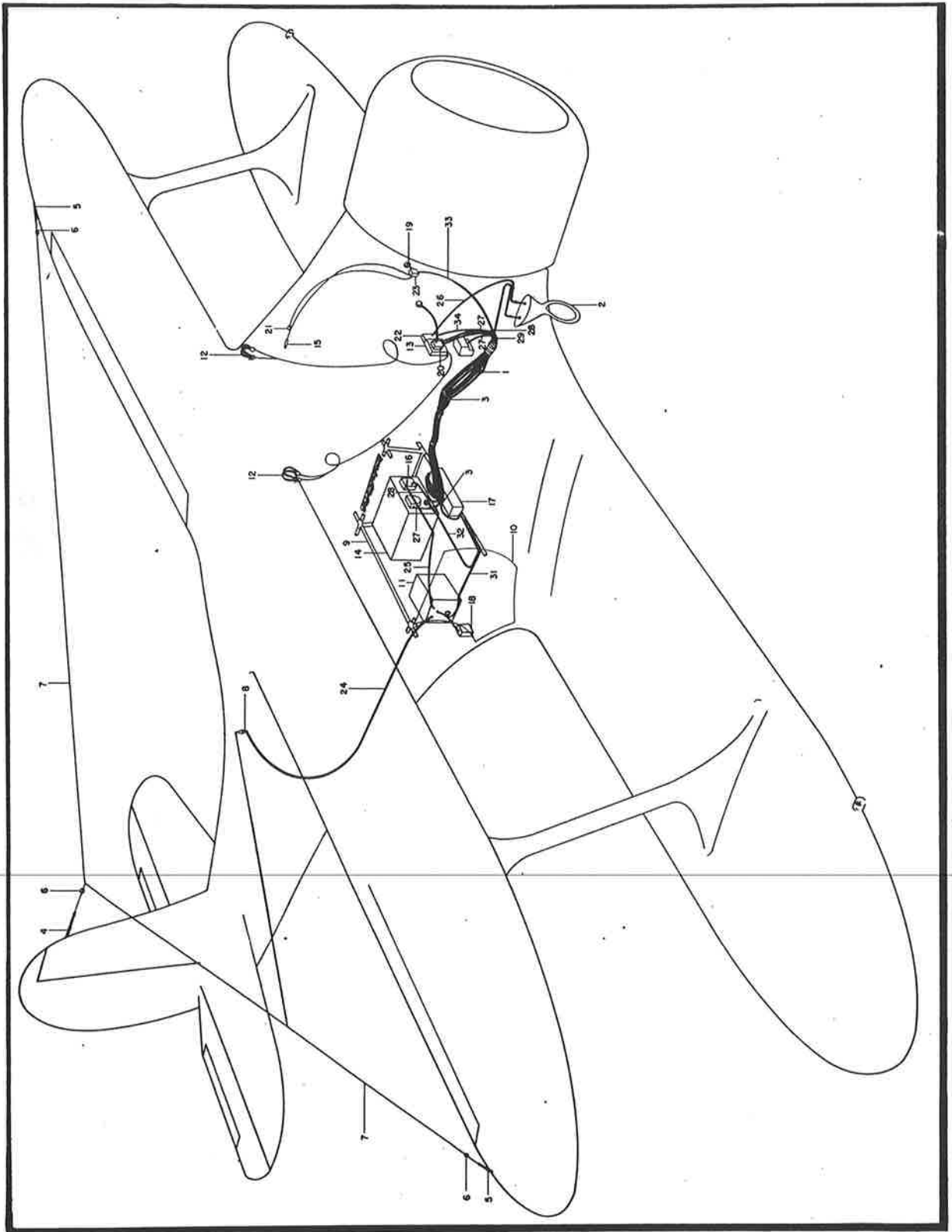


Figure 32 - Radio Equipment Installation

RESTRICTED

T. O. No. 01-90CC-4

SECTION II—GROUP ASSEMBLY PARTS LISTS

FIG. NO.	INDEX NO.	STOCKED	GROUP Equipment						UNITS PER ASSY	PROPERTY CLASSIFICATION					
			MAJOR ASSEMBLY Installation - Radio Equipment							U.S. NAVY	U.S. ARMY	BRITISH			
			PART NUMBER	1	2	3	4	5					6	NOMENCLATURE	
32	8	S	8980 (P)							1		04-A			
		S	S-190-3F-128							1		01-H			
		S	AN345-10							2		29			
		S	AC365-1032							2		04-A			
		S	AN960-10							2		04-A			
		S	D170240							1		01-H			
		S	D170226							2		01-H			
		S	AN3-10							2		04-A			
		S	AN310-3							2		04-A			
		S	AN380-2-2							2		29			
		32	2	S	561-D-8 (P)							2		01-C	
				S	MN20C (P)							1		Sig. Corps	
				S	A25200							3		Sig. Corps	
				S	AA28615-1							3		Sig. Corps	
				S	A14590							2		Sig. Corps	
				S	AA14694-1							3		Sig. Corps	
				S	AA14692-1							3		Sig. Corps	
				S	AA14691-1							3		Sig. Corps	
				S	A10673-4							10		Sig. Corps	
				S	A14427							5		Sig. Corps	
				S	A16464							5		Sig. Corps	
				S	C55609							2		Sig. Corps	
				S	A18903							2		Sig. Corps	
				S	A102289							2		Sig. Corps	
				S	C57968							2		Sig. Corps	
S	SP21261									1		Sig. Corps			
S	AC365-1032									8		04-A			
S	AN526-1032-8									5		29			
S	AN526-1032-10									2		29			
S	AN526-1032-12									1		29			
S	AN960-10									8		04-A			
S	180634U									2		01-H			
S	180634U-1									1		01-H			
S	180634U-2									1		01-H			
S	AC365-832									4		04-A			
S	832 X 1/2 (P)							4		29					
S	AN960-8							4		04-A					
32	9	S	I175002							1		01-H			
		S	I175002-1							1		01-H			
		S	I175002-3							2		01-H			
		S	I175002-4							3		01-H			
		S	AN3-10							4		04-A			
		S	AN4-10							14		04-A			
		S	AN310-3							4		04-A			
		S	AN310-4							14		04-A			
		S	AN380-2-2							18		29			
		S	562-D-6							4		01-C			
		S	562-D-8							6		01-C			
		S	I175002-10							1		01-H			
		S	I175002-2							2		01-H			
		S	I175002-8							1		01-H			
		S	AN3-11							2		04-A			
		S	AN310-3							2		04-A			
		S	AN380-2-2							2		29			

RESTRICTED

T. O. No. 01-90CC-4

SECTION II—GROUP ASSEMBLY PARTS LISTS

FIG. NO.	INDEX NO.	STOCKED	GROUP Equipment						UNITS PER ASSY	PROPERTY CLASSIFICATION		
			MAJOR ASSEMBLY Installation - Radio Equipment							U.S. NAVY	U.S. ARMY	BRITISH
			PART NUMBER	1	2	3	4	5				
			562-D-6 (P)						2			01-C
			I175002-11						1			01-H
			I175002-2						1			01-H
			I175002-5						2			01-H
		S	AN3-11						2			04-A
		S	AN310-3						2			04-A
		S	AN380-2-2						2			29
			562-D-7 (P)						2			01-C
			I175015						1			01-H
			I175015-2						1			01-H
			561-D-6 (P)						1			01-C
			561-D-7 (P)						1			01-C
			I175015-1						1			01-H
			I175015-2						1			01-H
			561-D-6 (P)						1			01-C
			561-D-7 (P)						1			01-C
			I175460						1			01-H
		S	I175461						1			01-H
		S	I175461-2						1			01-H
		S	S6-425 (P)						5			04-A
		S	AN425AD4-4						10			29
		S	FA6 1/2-45 (P)						5			04-A
		S	GF6 1/2-250 (P)						5			04-A
		S	AN505-8-12						5			29
		S	I175462						1			01-H
		S	I175462-2						1			01-H
		S	S6-425 (P)						4			04-A
		S	AN425AD4-4						8			29
		S	FA6 1/2-45 (P)						4			04-A
		S	GF6 1/2-250 (P)						4			04-A
		S	AN365-832						4			04-A
		S	AN505-8-8						4			29
		S	AN960-8						4			04-A
		S	I175463						1			01-H
		S	I175463-2						1			01-H
		S	S6-425 (P)						5			04-A
		S	AN425AD4-4						10			29
		S	FA6 1/2-45 (P)						5			04-A
		S	GF6 1/2-250 (P)						5			04-A
		S	AN505-8-12						6			29
		S	I175464						1			01-H
		S	I175464-2						1			01-H
		S	S6-425 (P)						3			04-A
		S	AN425AD4-4						6			29
		S	FA6 1/2-45 (P)						3			04-A
		S	GF6 1/2-250 (P)						3			04-A
		S	AN340-8						3			29
		S	AN505-8-12						3			29
		S	AN960-8						3			04-A
32	10	S	I175470						1			01-H
		S	I175465						1			01-H
		S	AN455AD3-4						14			29

RESTRICTED

T. O. No. 01-90CC-4

SECTION II—GROUP ASSEMBLY PARTS LISTS

FIG. NO.	INDEX NO.	STOCKED	GROUP Equipment						UNITS PER ASSY	PROPERTY CLASSIFICATION			
			MAJOR ASSEMBLY Installation - Radio Equipment							U.S. NAVY	U.S. ARMY	BRITISH	
			PART NUMBER	1	2	3	4	5					6
32	11	S	I175466							1		01-H	
		S	AN455AD3-4							15		29	
		S	I175467							1		01-H	
		S	AN455AD3-4							20		29	
		S	I175468							1		01-H	
		S	AN455AD3-4							20		29	
		S	I175469							1		01-H	
		S	AN526-832-8							1		29	
		S	AN526-832-12							1		29	
		S	AN526-832-16							7		29	
		S	TA-6A (P)							1		Sig. Corps	
		S	A13884-15							2		Sig. Corps	
		S	A13621-1							4		Sig. Corps	
		S	A13884-18							2		Sig. Corps	
		S	A16447-1							5		Sig. Corps	
		S	A13753-10							2		Sig. Corps	
		S	A13884-16							2		Sig. Corps	
		S	A13753-8							2		Sig. Corps	
		S	A13756-6							2		Sig. Corps	
		S	A16522-3							5		Sig. Corps	
		S	C55564-36							4		Sig. Corps	
		S	C55564-33							4		Sig. Corps	
		S	A14109-2							2		Sig. Corps	
		S	A16430-1							2		Sig. Corps	
		S	A18167-103							6		Sig. Corps	
		S	A13753-18							2		Sig. Corps	
		S	A25100							3		Sig. Corps	
		S	L70981-1							5		Sig. Corps	
		S	A5325-8							30		Sig. Corps	
		S	A11302-24							30		Sig. Corps	
		S	A30081							3		Sig. Corps	
		S	A219							3		Sig. Corps	
S	A30089							3		Sig. Corps			
S	A16440-1							7		Sig. Corps			
S	A16354-1							7		Sig. Corps			
S	A16441-1							3		Sig. Corps			
S	AA16566-1							2		Sig. Corps			
S	A10556							5		Sig. Corps			
S	AC58244-1							2		Sig. Corps			

RESTRICTED
T. O. No. 01-90CC-4
SECTION II—GROUP ASSEMBLY PARTS LISTS

FIG. NO.	INDEX NO.	STOCKED	GROUP Equipment						UNITS PER ASSY	PROPERTY CLASSIFICATION		
			MAJOR ASSEMBLY Installation - Radio Equipment							U.S. NAVY	U.S. ARMY	BRITISH
			PART NUMBER	1	2	3	4	5				
	S		A16432-2						Resistor - 75,000 ohms - 10% 1W	1		Sig. Corps
	S		A16431-2						Resistor - 1,500 ohms - 10% 10W	1		Sig. Corps
	S		A16432-3						Resistor - 100,000 ohms - 10%, 1W	2		Sig. Corps
	S		A16432-8						Resistor - 25,000 ohms - 10%, 1W	1		Sig. Corps
	S		A16431-1						Resistor - 200 ohms - 2%, 10W	2		Sig. Corps
	S		A16432-9						Resistor - 500 ohms - 10% 1W	1		Sig. Corps
	S		A16432-1						Resistor - 2000 ohms - 2%, 1W	1		Sig. Corps
	S		A16431-3						Resistor - 15,000 ohms - 10%, 10W	1		Sig. Corps
	S		A14228-4						Resistor - 2 Megohm - 10%, 2W	1		Sig. Corps
	S		A16448						Potentiometer - 100,000 ohms, Curve A, insulated shaft	3		Sig. Corps
	S		A16427-2						Resistor - 100 ohms - 10%, 2W	1		Sig. Corps
	S		A16427-1						Resistor - 50 ohms - 10%, 2W	1		Sig. Corps
	S		A30080						Resistor - 25,000 ohms - 10%, 20W	1		Sig. Corps
	S		A30079						Resistor - 4,000 ohms, - 10%, 20W	1		Sig. Corps
	S		A16428-1						Resistor - 100 ohms - 10%, 1/2W	1		Sig. Corps
	S		A13584-5						Resistor - 500,000 ohms - 10%, 1/2W	2		Sig. Corps
	S		A18009-500						Resistor - 50 ohms - 10%, 1/2W	1		Sig. Corps
	S		A16444-1						Switch Arm - Small, for C13, 14, 15, 16, R18, 19 mounting base assembly	13		Sig. Corps
	S		A16564-1						Switch - SP5T	7		Sig. Corps
	S		A14175-7						Switch - DPDT, toggle, nickel plated	3		Sig. Corps
	S		A16444-2						Switch Arm - Large for C13, 14, 15, 16, R18, 19 mounting base assembly	7		Sig. Corps
	S		A14812						Transformer - Microphone; Pri 300 ohms, Sec. 120,000 ohms	2		Sig. Corps
	S		A14813						Transformer - Modulation; Pri 800 ohms, Sec. 4700 ohms	2		Sig. Corps
	S		No Number						Vacuum Tube - Beam power, type 6L6	30		No Part No.
	S		No Number						Vacuum Tube - Beam power, type 807	90		No Part No.
	S		A30078						Socket - Octal base, for thermo-couple and tube	5		Sig. Corps
	S		A18955-2						Socket - Medium 5 pin, for tubes	48		Sig. Corps
	S		A13213						Socket - 3 contact, for crystal	5		Sig. Corps
	S		A11771						Socket - Extractor, for fuse	3		Sig. Corps
	S		AA16442-1						Socket - Holder, for fuse	3		Sig. Corps
	S		A18955-7						Socket - Octal base, for tube	3		Sig. Corps
	S		A6249-62						Screw - No. 10-32 X 2" long, binding head, brass, nickel plated (dynamotor mounting)	2		Sig. Corps
	S		A18033-10						Lockwasher - No. 10 extinguisher, phosphor bronze, nickel plated	6		Sig. Corps
	S		A6249-18						Screw - No. 10-32 X 5/8" long, binding head, brass, nickel plated (dynamotor mounting)	2		Sig. Corps
	S		A12276-1						Bushing - Ceramic, for push post	10		Sig. Corps
	S		A12276-2						Bushing - Ceramic, for push post	10		Sig. Corps
	S		AA2745-2						Push Post Assembly - Nickel plated	2		Sig. Corps

RESTRICTED

RESTRICTED

T. O. No. 01-900C-4

SECTION II—GROUP ASSEMBLY PARTS LISTS

FIG. NO.	INDEX NO.	STOCKED	GROUP Equipment							UNITS PER ASSY	PROPERTY CLASSIFICATION		
			MAJOR ASSEMBLY Installation - Radio Equipment								U.S. NAVY	U.S. ARMY	BRITISH
			PART NUMBER	1	2	3	4	5	6				
		S	A140-2							8		Sig.	Corps
		S	AA103938-1							8		Sig.	Corps
		S	C56354-3							6		Sig.	Corps
		S	A16523							4		Sig.	Corps
		S	A28447-1							10		Sig.	Corps
		S	AA102944-1							2		Sig.	Corps
		S	A221-1							8		Sig.	Corps
		S	A102931							15		Sig.	Corps
		S	A102934							5		Sig.	Corps
		S	AA16403-1							3		Sig.	Corps
		S	A5282-1							4		Sig.	Corps
		S	AC55772-1							1		Sig.	Corps
		S	AC55770-1							1		Sig.	Corps
		S	AC55758-2							1		Sig.	Corps
		S	SP21281							1		Sig.	Corps
		S	AC365-1032							4		04-A	
		S	AN510-10-24							4		29	
32	12	S	AN960-10							4		04-A	
		S	MR-8E (P)							1		Sig.	Corps
		S	47B										
32	13	S	MR-9B							1		Sig.	Corps
		S	AC365-832							5		04-A	
		S	AN515-8-7							5		29	
32	14	S	RA-10CB (P)							1		Sig.	Corps
		S	E11402							3		Sig.	Corps
		S	E11400							2		Sig.	Corps
		S	C56315-102							4		Sig.	Corps
		S	C56312-103							2		Sig.	Corps
		S	A18205-100							7		Sig.	Corps
		S	C56314-101							4		Sig.	Corps
		S	E11347-1							2		Sig.	Corps
		S	A18015-104							30		Sig.	Corps
		S	A204-5							2		Sig.	Corps
		S	C56315-050							2		Sig.	Corps
		S	C56315-151							4		Sig.	Corps
		S	C56315-251							2		Sig.	Corps
		S	C56314-141							2		Sig.	Corps
		S	C56313-102							2		Sig.	Corps
		S	A26829-3							10		Sig.	Corps

RESTRICTED
T. O. No. 01-90CC-4
SECTION II—GROUP ASSEMBLY PARTS LISTS

FIG. NO.	INDEX NO.	STOCKED	GROUP Equipment						UNITS PER ASSY	PROPERTY CLASSIFICATION			
			MAJOR ASSEMBLY		Installation - Radio Equipment					U.S. NAVY	U.S. ARMY	BRITISH	
			PART NUMBER	1	2	3	4	5					6
	S		A26829-1							5		Sig. Corps	
	S		A26829-2							5		Sig. Corps	
	S		C56315-500							6		Sig. Corps	
	S		C56315-350							2		Sig. Corps	
	S		C56315-101							2		Sig. Corps	
	S		AC56827-1							3		Sig. Corps	
	S		C56314-250							2		Sig. Corps	
	S		C56314-501							4		Sig. Corps	
	S		A102055-450							1		Sig. Corps	
	S		C56316-1150							12		Sig. Corps	
	S		C56316-501							2		Sig. Corps	
	S		A31274							2		Sig. Corps	
	S		A26829-7							10		Sig. Corps	
	S		C56316-451							2		Sig. Corps	
	S		A26829-8							5		Sig. Corps	
	S		A18207-350							1		Sig. Corps	
	S		A26829-6							5		Sig. Corps	
	S		A18207-200							2		Sig. Corps	
	S		C56310-103							4		Sig. Corps	
	S		A30763							1		Sig. Corps	
	S		A18015-203							2		Sig. Corps	
	S		C56315-750							2		Sig. Corps	
	S		A18206-500							1		Sig. Corps	
	S		C56316-850							2		Sig. Corps	
	S		A102055-300							3		Sig. Corps	
	S		C56315-100							2		Sig. Corps	
	S		C56311-103							2		Sig. Corps	
	S		C56311-202							4		Sig. Corps	

RESTRICTED

RESTRICTED

T. O. No. 01-90CC-4

SECTION II—GROUP ASSEMBLY PARTS LISTS

FIG. NO.	INDEX NO.	STOCKED	GROUP Equipment						UNITS PER ASSY	PROPERTY CLASSIFICATION		
			MAJOR ASSEMBLY		Installation - Radio Equipment					U.S. NAVY	U.S. ARMY	BRITISH
			PART NUMBER	1	2	3	4	5				
S	A30189							Capacitor - 30-30-30 Mfd, 350V DCW, electrolytic (110C/123)	3		Sig.	Corps
S	056315-200							Capacitor - 20 Mmf, 10%, 500V DCW, mica (110C/124)	4		Sig.	Corps
S	056728-1							Dynamotor - 14V, 3.3A input; 230V, .100A output	5		Sig.	Corps
S	AB6859-1							Inductor - Hash filter, 45 turns No. 18 SSE (110C/174)	5		Sig.	Corps
S	AB6859-2							Inductor - Hash filter, 1200 turns No. 33 SSE (110C/175)	3		Sig.	Corps
S	AC55706-1							Inductor - Dummy loop and trap coil (110C/203)	1		Sig.	Corps
S	AC56852-1							Inductor - Beat frequency oscillator (110C/204)	1		Sig.	Corps
S	AA28709-1							Crystal Adapter - For using British crystals	3		Sig.	Corps
S	A30094							Receptacle - 23-contact, wall mounting (110H/33)	3		Sig.	Corps
S	A30084							Receptacle - 6-contact, wall mounting (110H/28) for loop relay unit	3		Sig.	Corps
S	A15202							Socket - Crystal, 3-in (100H/48)	3		Sig.	Corps
S	A18151-301							Resistor - 500 ohms, 10%, 1/4W, ceramic (110C/245)	3		Sig.	Corps
S	A18151-104							Resistor - 100,000 ohms, 10%, 1/4W, ceramic (110C/249)	3		Sig.	Corps
S	A18151-503							Resistor - 50,000 ohms, 10%, 1/4W, ceramic (110C/251)	3		Sig.	Corps
S	A18151-105							Resistor - 1 Megohm, 10%, 1/4W, ceramic (110C/253)	2		Sig.	Corps
S	A18151-204							Resistor - 200,000 ohms, 10%, 1/4W, ceramic (110C/256)	1		Sig.	Corps
S	A18151-504							Resistor - 500,000 ohms, 10%, 1/4W, ceramic (110C/257)	2		Sig.	Corps
S	A18151-502							Resistor - 5000 ohms, 10%, 1/4W, ceramic (110C/255)	1		Sig.	Corps
S	A18151-102							Resistor - 1000 ohms, 10%, 1/4W, ceramic (110C/254)	4		Sig.	Corps
S	A18151-505							Resistor - 5 Megohms, 10%, 1/4W, ceramic (110C/296)	2		Sig.	Corps
S	A18151-251							Resistor - 250 ohms, 10%, 1/4W, ceramic (110C/297)	2		Sig.	Corps
S	A18150-503							Resistor - 50,000 ohms, 10%, 1/2W, ceramic (110C/298)	1		Sig.	Corps
S	A18009-153							Resistor - 15,000 ohms, 10%, 1W, ceramic (110C/299)	1		Sig.	Corps
S	A18151-353							Resistor - 35,000 ohms, 10%, 1/4W, ceramic (110C/300)	1		Sig.	Corps
S	A18001-504							Resistor - 500,000 ohms, 5%, 1/4W, ceramic (110C/301)	3		Sig.	Corps
S	A18151-753							Resistor - 75,000 ohms, 10%, 1/4, ceramic (110C/302)	1		Sig.	Corps
S	A18133-151							Resistor - 150,000 ohms, 5%, 5W, wirewound (110C/303)	1		Sig.	Corps
S	A18009-203							Resistor - 20,000 ohms, 10%, 1W, ceramic (110C/304)	2		Sig.	Corps
S	A27941							Resistor - 327 ohms, tapped; A-50 ohms 4.5W, B-25 ohm 2.25W; C-link; D-120 ohms, 1.50W; E-71 ohms, 2.68W; F-61 ohms, 2W (110C/305)	1		Sig.	Corps

RESTRICTED
T. O. No. 01-90CC-4
SECTION II—GROUP ASSEMBLY PARTS LISTS

FIG. NO.	INDEX NO.	STOCKED	GROUP Equipment						UNITS PER ASSY	PROPERTY CLASSIFICATION			
			MAJOR ASSEMBLY Installation - Radio Equipment							U.S. NAVY	U.S. ARMY	BRITISH	
			PART NUMBER	1	2	3	4	5					6
	S		AL8151-253							1		Sig.	Corps
	S		AL8009-501							1		Sig.	Corps
	S		AL8133-1250							1		Sig.	Corps
	S		AL8133-150							1		Sig.	Corps
	S		AA28206-3							1		Sig.	Corps
	S		A28758							3		Sig.	Corps
	S		AA28206-1							1		Sig.	Corps
	S		A30717							23		Sig.	Corps
	S		C57496							3		Sig.	Corps
	S		A15280							3		Sig.	Corps
	S		A28004							3		Sig.	Corps
	S		A28002							7		Sig.	Corps
	S		A28003							3		Sig.	Corps
	S		A102006							3		Sig.	Corps
	S		A102007							3		Sig.	Corps
	S		A16301							3		Sig.	Corps
	S		A15462							3		Sig.	Corps
	S		AC56864-1							2		Sig.	Corps
	S		AC56864-9							2		Sig.	Corps
	S		AA26609-1							2		Sig.	Corps
	S		AA26614-1							2		Sig.	Corps
	S		AL71765-9							2		Sig.	Corps
	S		AL71765-10							2		Sig.	Corps
	S		AL71765-5							2		Sig.	Corps
	S		AL71765-6							2		Sig.	Corps
	S		AL71765-7							2		Sig.	Corps
	S		AL71765-8							2		Sig.	Corps
	S		AL71765-1							2		Sig.	Corps

RESTRICTED

RESTRICTED

T. O. No. 01-90CC-4

SECTION II—GROUP ASSEMBLY PARTS LISTS

FIG. NO.	INDEX NO.	STOCKED	GROUP Equipment						UNITS PER ASSY	PROPERTY CLASSIFICATION		
			MAJOR ASSEMBLY Installation - Radio Equipment							U.S. NAVY	U.S. ARMY	BRITISH
			PART NUMBER	1	2	3	4	5				
		S	AL71765-2						2			Sig. Corps
		S	AL71765-3						2			Sig. Corps
		S	AL71765-4						2			Sig. Corps
		S	AC56773-1						2			Sig. Corps
		S	AC56854-1						2			Sig. Corps
		S	AC56772-1						2			Sig. Corps
		S	A16901						2			Sig. Corps
		S	No Number						30			No Part No.
		S	No Number						90			No Part No.
		S	No Number						30			No Part No.
		S	No Number						30			No Part No.
		S	No Number						30			No Part No.
		S	No Number						30			No Part No.
		S	AC56751-3						1			Sig. Corps
		S	A16330-5						1			Sig. Corps
		S	A16330-7						2			Sig. Corps
		S	A16330-9						1			Sig. Corps
		S	A11092						10			Sig. Corps
		S	AA2745-3						4			Sig. Corps
		S	A18132-1						10			Sig. Corps
		S	A18175-1						10			Sig. Corps
		S	A11320-46						4			Sig. Corps
		S	AL71773-1						1			Sig. Corps
		S	AL71777-1						1			Sig. Corps
		S	AL71784-1						1			Sig. Corps
		S	AC55824-1						1			Sig. Corps
		S	AC55825-1						1			Sig. Corps
		S	AC57528-1						1			Sig. Corps
		S	AA14325-2						1			Sig. Corps
		S	A14315						1			Sig. Corps
		S	AA14326-1						1			Sig. Corps

RESTRICTED
T. O. No. 01-9000-4
SECTION II—GROUP ASSEMBLY PARTS LISTS

FIG. NO.	INDEX NO.	STOCKED	GROUP Equipment						UNITS PER ASSY	PROPERTY CLASSIFICATION				
			MAJOR ASSEMBLY Installation - Radio Equipment							U.S. NAVY	U.S. ARMY	BRITISH		
			PART NUMBER	1	2	3	4	5					6	NOMENCLATURE
		S	A14311								1		Sig.	Corps
		S	AA14324-1								1		Sig.	Corps
		S	A14320								1		Sig.	Corps
		S	A14309								2		Sig.	Corps
		S	A140-6								6		Sig.	Corps
		S	A100263								4		Sig.	Corps
		S	AA27829-3								1		Sig.	Corps
		S	A28042-1								2		Sig.	Corps
		S	A14340								2		Sig.	Corps
		S	AC56696-1								1		Sig.	Corps
		S	E11500-2								4		Sig.	Corps
		S	A16855-71								4		Sig.	Corps
		S	A16855-69								4		Sig.	Corps
		S	AB10344								1		Sig.	Corps
		S	B11494								2		Sig.	Corps
		S	AB10346								1		Sig.	Corps
		S	SP21340								1		Sig.	Corps
		S	AN3-14								4		04-A	
		S	AN310-3								4		04-A	
		S	AN380-2-2								4		29	
32	15	S	AN960-10								4		04-A	
		S	MT-11B	(P)							1		Sig.	Corps
		S	AA14914-1								5		Sig.	Corps
		S	A14915								2		Sig.	Corps
		S	A14966								5		Sig.	Corps
		S	A14967								10		Sig.	Corps
		S	A14968								5		Sig.	Corps
		S	A14969-20								2		Sig.	Corps
		S	A14964								1		Sig.	Corps
		S	A14959								1		Sig.	Corps
		S	A14974								1		Sig.	Corps
		S	A108679								10		Sig.	Corps
		S	AC55321-1								3		Sig.	Corps

RESTRICTED

RESTRICTED

T. O. No. 01-90CC-4

SECTION II—GROUP ASSEMBLY PARTS LISTS

FIG. NO.	INDEX NO.	STOCKED	GROUP Equipment						UNITS PER ASSY	PROPERTY CLASSIFICATION						
			MAJOR ASSEMBLY Installation - Radio Equipment							U.S. NAVY	U.S. ARMY	BRITISH				
			PART NUMBER	1	2	3	4	5					6	NOMENCLATURE		
32	16	S	B10619-5								3		Sig.	Corps		
		S	A14965									5		Sig.	Corps	
		S	SP21265A									1		Sig.	Corps	
		S	A14913									1		Sig.	Corps	
		S	A5595-18									2		Sig.	Corps	
		S	AN545-4-4									4		29		
		S	MR-11C	(P)								1		Sig.	Corps	
		S	BT-155													
		S	A104-6									4		Sig.	Corps	
		S	A105-10									4		Sig.	Corps	
		S	A106-10									3		Sig.	Corps	
		S	A108-18									1		Sig.	Corps	
		S	A155-10									1		Sig.	Corps	
		S	A179-2									2		Sig.	Corps	
		S	A193-16									3		Sig.	Corps	
		S	A199-11									1"		Sig.	Corps	
	S	A11092									2		Sig.	Corps		
	S	A12279-6									1		Sig.	Corps		
	S	A14287-2									4		Sig.	Corps		
	S	A14368-1									3		Sig.	Corps		
	S	A18038-3									8		Sig.	Corps		
	S	A18038-4									1		Sig.	Corps		
	S	AA2745-3									1		Sig.	Corps		
	S	A28185-3									1		Sig.	Corps		
	S	A15402														
	S	A15406														
	S	C56320-33									3		Sig.	Corps		
	S	AA15244-1									1		Sig.	Corps		
	S	AA28206-3									1		Sig.	Corps		
	S	BA30084									1		Sig.	Corps		
	S	BA30088									1		Sig.	Corps		
	S	AC57527-1									1		Sig.	Corps		
S	AL72505-1									1		Sig.	Corps			
S	A100262									1		Sig.	Corps			
S	MS-14B	(P)								1		Sig.	Corps			
S	A5282-1									2		Sig.	Corps			
S	A242-4									6		Sig.	Corps			
S	A12522-6									32		Sig.	Corps			
S	B11622-16									4		Sig.	Corps			
S	A5339									2		Sig.	Corps			
S	A16790-22									32		Sig.	Corps			
S	A146									32		Sig.	Corps			
S	A14287-8									32		Sig.	Corps			
S	SP21272									1		Sig.	Corps			
S	AN345-10									4		29				
S	AC365-832									2		04-A				
S	AC365-1032									2		04-A				
S	AN515-8-10									2		29				
S	AN520-10-16									2		29				

RESTRICTED

RESTRICTED

T. O. No. 01-90CC-4

SECTION II—GROUP ASSEMBLY PARTS LISTS

FIG. NO.	INDEX NO.	STOCKED	GROUP Equipment						UNITS PER ASSY	PROPERTY CLASSIFICATION			
			MAJOR ASSEMBLY Installation - Radio Equipment							U.S. NAVY	U.S. ARMY	BRITISH	
			PART NUMBER	1	2	3	4	5					6
32	18	S	561-D-7 (P)							2		01-C	
		S	AC750-16							1		04-A	
32	19	S	AN960-10							2		04-A	
		S	MT-31A (P)							1		Sig. Corps	
		S	AC365-632							4		04-A	
		S	AN515-6-8							4		29	
32	20	S	AC940-9							4		29	
		S	MT-33A (P)							1		Sig. Corps	
		S	A16352							3		Sig. Corps	
		S	A16353							3		Sig. Corps	
32	21	S	AC365-632							4		04-A	
		S	632 X 1/2 (P)							4		29	
		S	AVA-38 (P)							1		Sig. Corps	
		S	AC365-1032							4		04-A	
32	22	S	AN510-10-7							4		29	
		S	MT-42A (P)							1		Sig. Corps	
32	23	S	5 X 1/2 (P)							3		29	
		S	MN-52B (P)							1		Sig. Corps	
32	24	S	AC365-832							4		04-A	
		S	AN515-8-7							4		29	
32	25	S	MT-54A (P)							1		Sig. Corps	
		S	A103-4							4		Sig. Corps	
32	26	S	A106-8							4		Sig. Corps	
		S	A107-8							3		Sig. Corps	
32	27	S	A151-6							3		Sig. Corps	
		S	A153-4							4		Sig. Corps	
32	28	S	A154-2							4		Sig. Corps	
		S	A179-1							4		Sig. Corps	
32	29	S	A11918							1		Sig. Corps	
		S	A14017							1		Sig. Corps	
32	30	S	A14175-7							1		Sig. Corps	
		S	A14286-14							2		Sig. Corps	
32	31	S	A14287-3							4		Sig. Corps	
		S	A15047							4		Sig. Corps	
32	32	S	AA16383-1							1		Sig. Corps	
		S	A16421							1		Sig. Corps	
32	33	S	A 6422							1		Sig. Corps	
		S	A. 6716							1		Sig. Corps	
32	34	S	A16719							2		Sig. Corps	
		S	A16721							2		Sig. Corps	
32	35	S	A16726							1		Sig. Corps	
		S	A17042-5							2		Sig. Corps	
32	36	S	BA30081							1		Sig. Corps	
		S	BA30089							1		Sig. Corps	
32	37	S	BA30090							1		Sig. Corps	
		S	C55785							1		Sig. Corps	
32	38	S	AC55924							1		Sig. Corps	
		S	632 x 1/2 (P)							4		29	

RESTRICTED

T. O. No. 01-90CC-4

SECTION II—GROUP ASSEMBLY PARTS LISTS

FIG. NO.	INDEX NO.	STOCKED	GROUP Equipment						UNITS PER ASSY	PROPERTY CLASSIFICATION										
			MAJOR ASSEMBLY Installation - Radio Equipment							U.S. NAVY	U.S. ARMY	BRITISH								
			PART NUMBER	1	2	3	4	5					6	NOMENCLATURE						
32	24	S	544B (P)																	
32	25	S	548 (P)																	
32	26	S	AA15410-1 (P)																	
		S	A-14743																	
		S	A-15413																	
		S	A-15414																	
		S	A-15415																	
		S	QB-15798																	
32	27	S	AA15410-1 (P)																	
		S	A14743																	
		S	A-15413																	
		S	A-15414																	
		S	A-15415																	
		S	QB-15798																	
32	28	S	AC55966-1 (P)																	
		S	BA30088																	
		S	BA30085																	
		S	A4651-2																	
		S	A18139-3																	
		S	A320-3																	
32	29	S	AC58265-2 (P)																	
		S	A30852																	
		S	A320-5																	
		S	A18139-5																	
		S	A4651-4																	
		S	A18123-4																	
		S	A18122-7																	
		S	A18121-7																	
		S	A31770																	
		S	A13296-10																	
		S	A13296-3																	
		S	A13296-6																	
		S	A13296																	
		S	31-1176-7																	
		S	31-1177-7																	
		S	AC58577-1 (P)																	
		S	A4651-3																	
		S	A18121-2																	
		S	A18122-2																	
		S	A18123-3																	
		S	A18139-4																	
		S	A320-4																	
		S	31-1176-2																	
		S	31-1177-2																	
32	31	S	AC58618-1 (P)																	
		S	A30852																	
		S	A320-5																	
		S	A18139-5																	
		S	A4651-4																	
		S	A18123-4																	
		S	A18122-7																	
		S	A18121-7																	
		S	A31770																	
		S	A13296-3																	
		S	A13296-6																	
		S	A13296-4																	
		S	A13296																	
		S	31-1176-7																	

RESTRICTED

T. O. No. 01-90CC-4

SECTION II—GROUP ASSEMBLY PARTS LISTS

FIG. NO.	INDEX NO.	SYMBOL	GROUP Equipment						UNITS PER ASSY	PROPERTY CLASSIFICATION					
			MAJOR ASSEMBLY	Installation - Radio Equipment						U.S. NAVY	U.S. ARMY	BRITISH			
				PART NUMBER	1	2	3	4					5	6	NOMENCLATURE
32	32	S	31-1177-7							1		04-A			
		S	AC58619-2 (P)							1			Sig. Corps		
		S	A30095										Sig. Corps		
		S	A320-5										Sig. Corps		
		S	A18139-5										Sig. Corps		
		S	A4651-4										Sig. Corps		
		S	A18123-4										Sig. Corps		
		S	A18122-7										Sig. Corps		
		S	A18121-7										Sig. Corps		
		S	A30601										Sig. Corps		
		S	A13296-3										Sig. Corps		
		S	A13296-4										Sig. Corps		
		S	A13296										Sig. Corps		
		S	A13296										Sig. Corps		
		32	33	S	31-1176-7							1		04-A	
S	31-1177-7									1		04-A			
S	AC58620-1 (P)									1			Sig. Corps		
S	A30090												Sig. Corps		
S	A320-4												Sig. Corps		
S	A18139-4												Sig. Corps		
S	A4651-3												Sig. Corps		
S	A18123-3												Sig. Corps		
S	A18122-2												Sig. Corps		
S	A18121-2												Sig. Corps		
S	A30848												Sig. Corps		
S	A13296-3												Sig. Corps		
S	A13296-6												Sig. Corps		
S	A13296												Sig. Corps		
S	A13296												Sig. Corps		
32	34	S	31-1176-2							1		04-A			
		S	31-1177-2							1		04-A			
		S	AC58621-2 (P)							1			Sig. Corps		
		S	A30088										Sig. Corps		
		S	A320-3										Sig. Corps		
		S	A18139-3										Sig. Corps		
		S	A4651-2										Sig. Corps		
		S	A18123-2										Sig. Corps		
		S	A18122-1										Sig. Corps		
		S	A18121-1										Sig. Corps		
		S	31-1176-1								1		04-A		
		S	31-1177-1								1		04-A		
		S	4508								1		30-C		
				S	D170330							1		01-H	
				S	D170331							1		01-H	
		S	D170331-2							1		01-H			
		S	AC811BT-6D							2		04-A			
		S	AC811T6-CS							2		04-A			
		S	D170333							1		01-H			
		S	D170333-2							1		01-H			
		S	AC811BT8D							1		04-A			
		S	AC811T8CS							1		04-A			
		S	D170334							1		01-H			
		S	AAF365-832							5		04-A			
		S	AN515-8-8							5		29			
		S	AN960-8							10		04-A			
		S	D170336							1		01-H			
		S	D170336-2							1		01-H			
		S	AC811BT8D							1		04-A			
		S	AC811T8CS							1		04-A			
		S	106043-16-08-300							1		01-H			

RESTRICTED

T. O. No. 01-90CC-4

SECTION II—GROUP ASSEMBLY PARTS LISTS

FIG. NO.	INDEX NO.	STOCKED	GROUP Equipment						UNITS PER ASSY	PROPERTY CLASSIFICATION		
			MAJOR ASSEMBLY							U.S. NAVY	U.S. ARMY	BRITISH
			PART NUMBER	1	2	3	4	5				
			Installation - Centralized Air Filter									
			Installation - Flares									
		S	FB6A (P)						2		04-A	
		S	6-4-8-4KST-D (P)						1		29	
		S	AN914-2					Elbow - Internal and external pipe thread, 90°	1		04-A	
		S	AAF811CT6-45°					Fitting - Solderless elbow	1		04-A	
		S	*D170338					Tube Assembly - Suction gage vent	1		01-H	
		S	D170338-2					Tube - Suction gage vent	1		01-H	
		S	ACS11BT-4D					Fitting - Solderless nut	2		04-A	
		S	ACS11T-4CS					Fitting - Solderless sleeve	2		04-A	
		S	*8-8-4JT (P)					Tee (Parker)	1		29	
		S	*AAF811CT4-45°					Fitting - Solderless elbow	1		04-A	
		S	AN5822					Filter - Vacuum operated instruments air	1		03-I	
		S	AN4-6A					Bolt - Aircraft 1/4-28	2		04-A	
		S	AAF365-428					Nut - Self-locking	2		04-A	
		S	AAF811CT-8D					Fitting - Solderless elbow	1		04-A	
		S	AN912-8D					Bushing - Reducer	1		04-A	
		S	AN960-416					Washer - Plain	2		04-A	
		S	*D170343					Tube Assembly - Air filter to tee	1		01-H	
		S	D170343-2					Tube - Air filter to tee	1		01-H	
		S	AAF811BT-8D					Fitting - Solderless nut	2		04-A	
		S	AAF811T-8CS					Fitting - Solderless sleeve	2		04-A	
		S	*D170344					Tube Assembly - Air filter tee to hose	1		01-H	
		S	D170344-2					Tube - Air filter tee to hose	1		01-H	
		S	AAF811BT-8D					Fitting - Solderless nut	1		04-A	
		S	AAF811T-8CS					Fitting - Solderless sleeve	1		04-A	
			* (Alternate installation used on airplanes 31386 to 31410 incl., and 43-10831 to 43-10841 incl.)									
			D170640					Installation - Flares	1		01-H	
		S	D170649					Support Assembly - Flare switch box	1		01-H	
		S	D170649-1					Support - Flare switch box	1		01-H	
		S	D170649-2					Strip - Flare switch box support reinforcement	2		01-H	
		S	D170649-3					Strip - Flare switch box support reinforcement	2		01-H	
		S	AC366F632					Nut	4		04-A	
		S	AN545-2-2					Screw	8		29	
		S	AN515-6-10					Screw	4		29	
		S	D17065-1					Bracket Assembly - Flare front upper	1		01-H	
			D17065-2					Bracket - Flare	1		01-H	
			561-D-6					Clamp	1		01-H	
		S	D17065-3					Bracket Assembly - Flare rear lower	1		01-H	
			D17065-4					Bracket - Flare	1		01-H	
			561-D-7					Clamp	1		01-H	
		S	D17065-5					Bracket Assembly - Flare front lower	1		01-H	
			D17065-6					Bracket - Flare	1		01-H	
			561-D-6					Clamp	1		01-H	
		S	D17065-7					Bracket Assembly - Flare rear upper	1		01-H	
			D17065-8					Bracket - Flare	1		01-H	
			561-D-7					Clamp	1		01-H	
		S	AC365-1032					Nut	4		04-A	
		S	AN430AD4-6					Rivet	20		29	
		S	AN520-10-16					Screw	4		29	
34	17	S	R3M (P)					Switch Assembly - Flare (International Flare Co.)	1		03-F	

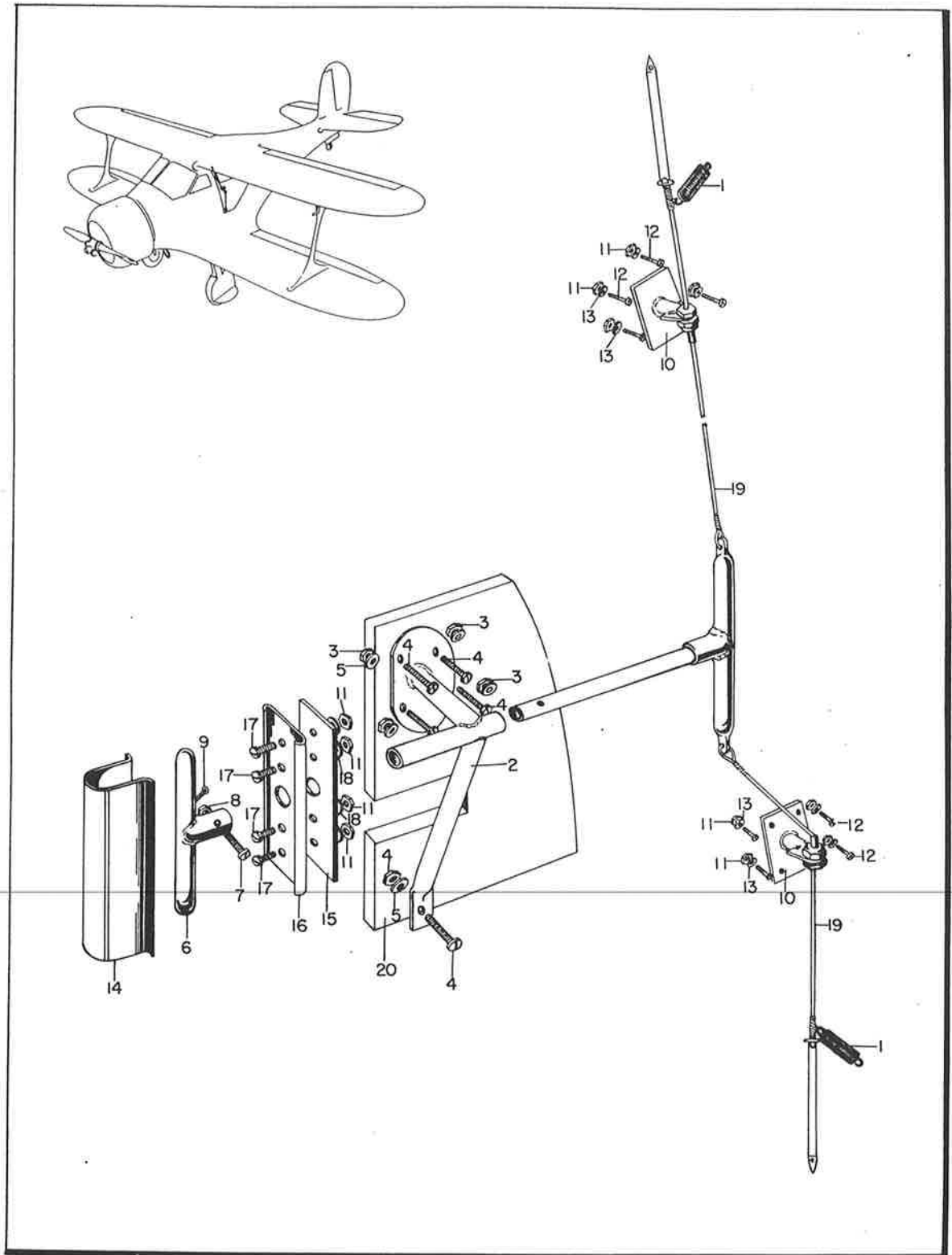


Figure 33 - Emergency Door Release Installation

RESTRICTED

T. O. No. 01-90CC-4

SECTION II—GROUP ASSEMBLY PARTS LISTS

FIG. NO.	INDEX NO.	STOCKED	GROUP Equipment						UNITS PER ASSY	PROPERTY CLASSIFICATION		
			MAJOR ASSEMBLY		Installation - Flares - Quick Door Release - Electrical Equipment					U.S. NAVY	U.S. ARMY	BRITISH
			PART NUMBER	1	2	3	4	5				
36	13	S	No Number						6			
		S	No Number (P)						1			
33	1	S	D170660						1		01-H	
		S	D170651						2			
33	2	S	D170661						1		01-H	
		S	D170661-1						1		01-H	
33	3	S	D170661-2						1		01-H	
		S	D170661-3						1		01-H	
33	4	S	D170661-4						1		01-H	
		S	AN345-10						5		29	
33	5	S	AN510-10-12						5		29	
		S	AN935-10						5		29	
33	6	S	D170662						1		01-H	
		S	D170662-1						1		01-H	
33	7	S	D170662-2						1		01-H	
		S	AN3-7						1		04-A	
33	8	S	AN320-3						1		04-A	
		S	AN380-2-2						1		29	
33	10	S	D170665						2		01-H	
		S	D170665-1						1		01-H	
33	11	S	D170665-2						1		01-H	
		S	D170665-3						1		01-H	
33	12	S	AN340-6						8		29	
		S	AN505-6-6						8		29	
33	13	S	AN935-6						8		29	
		S	D170668						1		01-H	
33	14	S	D170669						1		01-H	
		S	D170670						1		01-H	
33	15	S	AN340-6						4		29	
		S	AN515-6-6						4		29	
33	16	S	AN960-6						4		04-A	
		S	D170671						1		01-H	
33	17	S	D170671-1						1		01-H	
		S	D170671-2						1		01-H	
33	18	S	D170663						1		01-H	
		S	D170663-1						1		01-H	
33	19	S	D170663-2						1		01-H	
		S	D170663-3						1		01-H	
33	20	S	D170664-2						2		01-H	
		S	S-123						2		01-H	
33	20	S	S-167						2		01-H	
		S	AN-100						2		29	
33	20	S	AC365-624						2		04-A	
		S	D170675						1		01-H	
33	20	S	AN3-5A						1		04-A	
		S	AAF365-1032						1		04-A	
33	20	S	D170760						1		01-H	
		S	*D170702						1		30-C	
33	20	S	C26 (P)						10		08-B	
		S	A36 (P)						49		08-B	
33	20	S	544B (P)						1		08-B	
		S	No Number (P)						1			

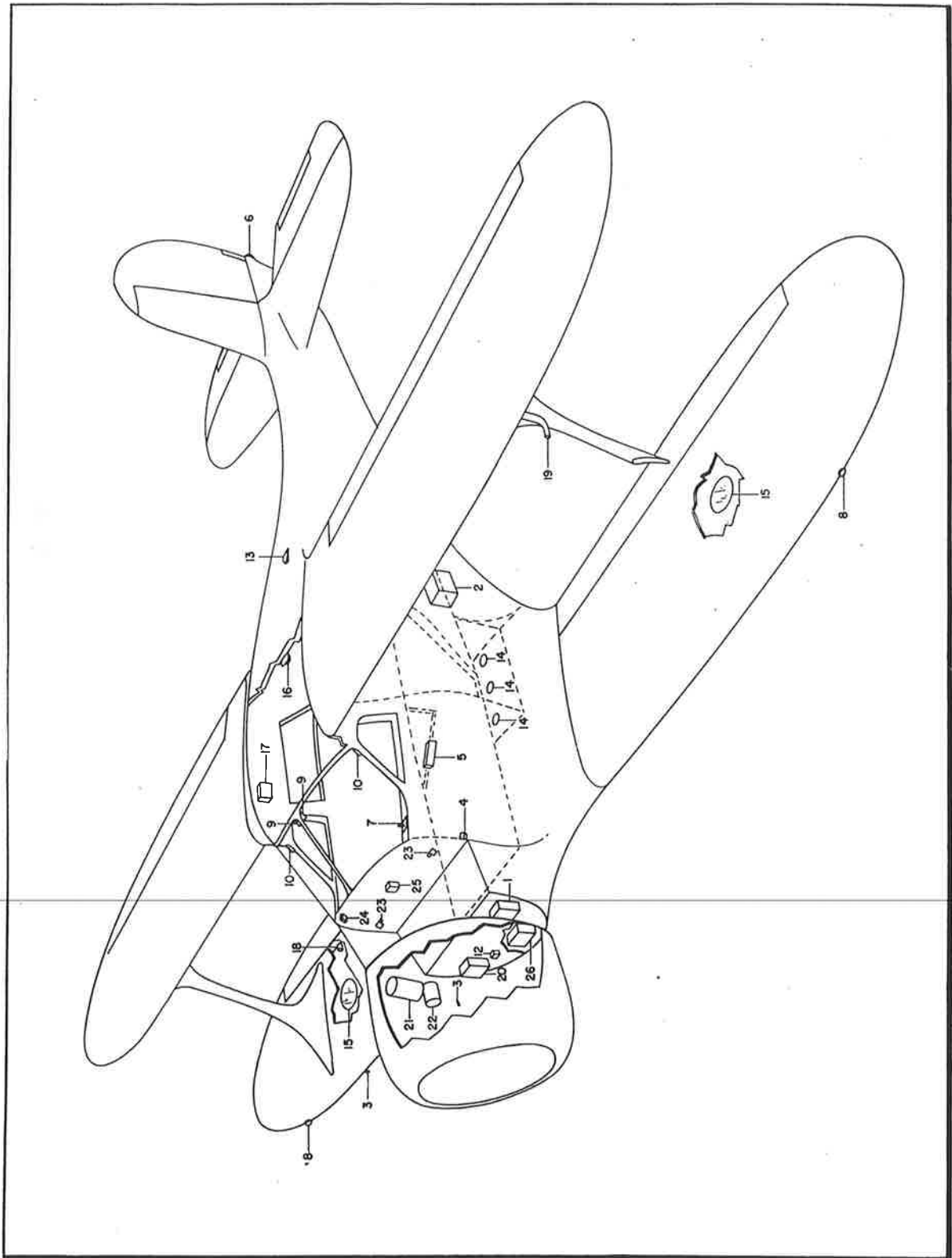


Figure 34 - Electrical Equipment

RESTRICTED

T. O. No. 01-90CC-4

SECTION II—GROUP ASSEMBLY PARTS LISTS

FIG. NO.	INDEX NO.	STOCKED	GROUP Equipment						UNITS PER ASSY	PROPERTY CLASSIFICATION				
			MAJOR ASSEMBLY Installation - Electrical Equipment							U.S. NAVY	U.S. ARMY	BRITISH		
			PART NUMBER	1	2	3	4	5					6	NOMENCLATURE
34	1	S	*D170703							1		30-C		
		S	IN-4A (A.A.18824-1)						Diagram - Radio, wiring	1				
		S	C26 (P)						Load Assembly - Field (Government furnished) (Bendix)	1			Sig. Corps	
		S	A36 (P)						Terminal - 35 ampere (Thomas & Betts)	10			08-B	
		S	544B (P)						Terminal - 25 ampere (Thomas & Betts)	49			08-B	
		S	No Number (P)						Cable - High tension (Packard)	1			08-B	
		S	D170709						Shielding - 3/8 (Lenz)	1				
		S	Type ABA (P)						Diagram - Electrical wiring.	1			30-C	
		S	A1 (P)						Resistor - 10 watt 25 ohm (Radiolab)	1			Sig. Corps	
		S	Type DHA (P)						Band - Adjustable resistor (Radiolab)	1			Sig. Corps	
		S	X2						Resistor 25 watt 10 ohm (Radiolab)	1			Sig. Corps	
		S	KW (P)						Band - Adjustable resistor	1			Sig. Corps	
		S	6-TS-13-1 (P)						Coil - Booster (Ford)	1			03-C	
		S	20903						Battery (Exide)	1			08-B	
		S	14976						Container - Rubber				08-B	
		S	21421						Cell Connector				08-B	
		S	21422						Group - Positive				08-B	
		S	14982						Group - Negative				08-B	
		S	14983						Positive Plate				08-B	
		S	27594						Negative Plate				08-B	
		S	14974						Separators - Microporus				08-B	
		S	24092						Separators - Wood				08-B	
		S	14025						Separator Protector				08-B	
		S	2893						Seal Nut - Alloy				08-B	
		S	26156						Rubber Gasket				08-B	
		S	16950						Vent - Complete with gasket				08-B	
		S	16951						Terminal Positive				08-B	
		S	28252						Terminal Negative				08-B	
		S	14971						Wing Nut				08-B	
		S	C26 (P)						Splash Cover				08-B	
		S	A36 (P)						Terminal - 35 amperes (Thomas & Betts)	57			08-B	
		S	37A5222-5						Terminal - 25 amperes (Thomas & Betts)	118			08-B	
		S	207 (P)						Resistor - Instrument	1			08-B	
		S	AC660-3						Terminal (Packard)	1				
S	AN900-10						Terminal - Electrical	8			08-B			
S	1011 (P)						Gasket - Copper asbestos, annular	1			29			
S	57 (P)						Resistor - 10 watt 75 ohm (Ohmite)	1			08-B			
S	D-94177 (P)						Lug - Screw type (Ohmite)	1			03-C			
S	D170714						Bulb - Carburetor temperature resistance (Weston)	1			01-H			
S	D170715						Installation - Battery cable	1			01-H			
S	D170715-1						Cable Assembly - Battery	1			01-H			
S	265A (P)						Cable - Battery	1			01-H			
S	D170715-2						Cable (102 long) (Packard)	1			08-B			
S	AC660-6						Conduit - Battery cable	1			01-H			
S	AN5-5						Terminal - Electrical	2			08-B			
S	73-2909 (P)						Bolt - Aircraft 5/16-24	1			04-A			
S	AN310-5						Grommet (Boeing)	1			01-F			
S	AC365-832						Nut - Aircraft castle	1			04-A			
S	AN380-2-2						Nut - Self locking	4			04-A			
S	AN515-8-6						Pin - Cotter	1			29			
S	AC755-10						Screw - Round head	4			29			
S	AC755-14						Clip - Tube, loop type	4			04-A			
S							Clip - Tube, loop type	2			04-A			

RESTRICTED

T. O. No. 01-90CC-4

SECTION II—GROUP ASSEMBLY PARTS LISTS

FIG. NO.	INDEX NO.	STOCKED	GROUP Equipment						UNITS PER ASSY	PROPERTY CLASSIFICATION			
			MAJOR ASSEMBLY Installation - Electrical Equipment							U.S. NAVY	U.S. ARMY	BRITISH	
			PART NUMBER	1	2	3	4	5					6
34	4	S	AC755-16							1		04-A	
		S	AC755-18							1		04-A	
		S	AN960-516							2		04-A	
		S	D170716							1		01-H	
		S	D170716-1							1		01-H	
		S	265-A (P)							1		08-B	
		S	D170716-2							1		01-H	
		S	No Number (P)							1		01-H	
		S	AC660-6							2		08-B	
		S	AN5-5							1		04-A	
		S	AN310-5							1		04-A	
		S	AN380-2-2							1		29	
		S	AN960-516							2		04-A	
		S	D170719							1		01-H	
		S	D170719-1							1		01-H	
		S	No Number (P)							1		01-H	
		S	D170719-2							1		01-H	
		S	265-A (P)							1		01-H	
		S	AC660-6							2		08-B	
		S	D17941							1		01-H	
		S	AN5-5							1		04-A	
		S	AN310-5							1		04-A	
		S	AN380-2-2							1		29	
		S	1/4							1		29	
		S	1563 (P)							1		03-C	
		S	AN4-3							2		04-A	
		S	AN310-4							2		04-A	
		S	AN380-2-2							2		29	
		S	D170721							1		01-H	
		S	D170722							1		01-H	
		S	AN340B6							3		29	
		S	AN365-632							3		04-A	
		S	AN365-832							2		04-A	
		S	AN515B6-10							3		29	
		S	AN515-8-8							2		29	
		S	AC755-8							2		04-A	
		S	AN935-6L							3		29	
		S	AN940B9							3		29	
		S	D170730							1		01-H	
		S	D170731							1		01-H	
		S	D170731-1							1		01-H	
		S	D170732							1		01-H	
		S	68A7-62 (P)							2		04-A	
		S	AN430AD3-4							4		29	
		S	AN931-7-11							3		04-B	
		S	AN931-10-11							1		04-B	
		S	D170733							1		01-H	
		S	AN526-632-7							2		29	
S	D170734							1		01-H			
S	AN340-B6							32		29			
S	AC365-632							3		04-A			
S	AN505B6-12							16		29			
S	AN526-632-8							3		26			
S	AN960-A6							3		04-A			
S	AC365-832							3		04-A			
S	AN515-8-10							3		29			
S	AC755-16							2		04-B			
S	AC755-18							1		04-B			
S	AN960-D8							3		04-B			
S	D170736							1		01-H			

RESTRICTED

RESTRICTED
T. O. No. 01-9000-4
SECTION II—GROUP ASSEMBLY PARTS LISTS

FIG. NO.	INDEX NO.	STOCKED	GROUP Equipment						UNITS PER ASSY	PROPERTY CLASSIFICATION		
			MAJOR ASSEMBLY Installation - Electrical Equipment							U.S. NAVY	U.S. ARMY	BRITISH
			PART NUMBER	1	2	3	4	5				
34	6	S	D170717						1		01-H	
		S	D2	(P)					1		03-C	
		S	A-1267	(P)					1		03-C	
		S	A-1620	(P)					1		03-C	
		S	A-1620	(P)					1		03-C	
		S	A-2016	(P)					1		03-C	
		S	A-2014	(P)					1		03-C	
		S	A-1556	(P)					1		03-C	
		S	A-1557	(P)					1		03-C	
		S	A-2013	(P)					1		03-C	
		S	A-1627	(P)					1		03-C	
		S	A-1258	(P)					1		03-C	
		S	A-1261	(P)					1		03-C	
		S	A-1262	(P)					1		03-C	
		S	A-1265	(P)					1		03-C	
		S	A-2352	(P)					1		03-C	
		S	A-2351	(P)					1		03-C	
		S	4-40 x 3/8	(P)					2		03-C	
		S	1204						2		29	
		S	T-3 1/4	(P)					1		03-C	
		S	AN505-6-7						2		29	
		S	D170872						1		01-H	
		S	D170872-2						1		01-H	
		S	AC366-F632						2		04-A	
		S	AN425AD3-4						4		29	
		S	AN456AD3-4						4		29	
		S	D170738						1		01-H	
		S	D170739						2		01-H	
		S	AN340B6						4		29	
		S	AC365-632						6		04-A	
		S	AC365-832						2		04-A	
		S	AN515-6-10						2		29	
		S	AN515-B6-10						4		29	
		S	AN526-832-20						2		29	
		S	AC755-6						2		04-A	
		S	AN935-6						4		29	
		S	AC940B9-6						4		29	
		S	AN960-6						2		04-A	
		S	AN960-8						2		04-A	
		S	D170750						1		01-H	
		S	D170748						1		01-H	
		S	AN340-6						2		29	
		S	AN526-632-8						2		29	
		S	AN935-6						2		29	
		S	D170751						2		01-H	
		S	D170752						1		01-H	
		S	D170759						1		01-H	
		S	AN340-6						4		29	
		S	AC365-1032						2		04-A	
		S	AN520-10-10						2		29	
		S	AN526-632-8						4		29	
		S	AC755-16						2		04-A	

RESTRICTED

T. O. No. 01-90CC-4

SECTION II—GROUP ASSEMBLY PARTS LISTS

FIG. NO.	INDEX NO.	STOCKED	GROUP Equipment						UNITS PER ASSY	PROPERTY CLASSIFICATION			
			MAJOR ASSEMBLY Installation - Electrical Equipment							U.S. NAVY	U.S. ARMY	BRITISH	
			PART NUMBER	1	2	3	4	5					6
34	7	S	AC755-22							2		04-A	
		S	AN935-6							4		29	
		S	AN960-B6							4		04-A	
		S	D170753							2		01-H	
		S	D170754							1		01-H	
		S	D170755							1		01-H	
		S	D170758							1		01-H	
		S	AN340-6							4		29	
		S	AN526-632-8							4		29	
		S	AN935-6							4		29	
		S	AN960-B6							4		04-A	
		S	D170757							1		01-H	
		S	AN365-632							3		04-A	
		S	AN515-6-8							3		29	
		S	1/4							1		29	
		S	AN931-16-22							1		04-B	
		S	No Number (P)							4			
		S	No Number (P)							3			
		S	No Number (P)							1			
		S	No Number (P)							1			
		S	D170770							1		01-H	
		S	D170102							1		01-H	
		S	No Number (P)							1			
		S	4-40 x 3/4 (P)							4		29	
		S	AC365-440							4		04-A	
		S	632 x 3/16 (P)							2		29	
		S	AN960-4							4		04-A	
		S	D170126							1		01-H	
		S	8187 Special (P)							1		03-C	
		S	D170772							1		01-H	
		S	C (B-1947) (P)							1		03-C	
		S	B-1945 (P)							1		03-C	
		S	B-1946 (P)							1		03-C	
		S	A-1944 (P)							1		03-C	
S	9406 (P)							1		03-C			
S	1/16 x 1/4 use AN430-2-4							1		29			
S	A-1229 (P)							1		03-C			
S	A-1232 (P)							2		03-C			
S	A-1233-2R (P)							1		03-C			
S	A-1234 (P)							1		03-C			
S	No Number (P)							1		03-C			
S	AN526-832-24		S					1		29			
S	AN545-B5-5							2		29			
S	CB-1947 (P)							1		03-C			
S	B-1945 (P)							1		03-C			
S	B-1946 (P)							1		03-C			
S	A-1944 (P)							1		03-C			
S	1/16 x 1/4 use AN430-2-4							1		29			

RESTRICTED

T. O. No. 01-90CC-4

SECTION II—GROUP ASSEMBLY PARTS LISTS

FIG. NO.	INDEX NO.	STOCK E Dn	GROUP Equipment						UNITS PER ASSY	PROPERTY CLASSIFICATION			
			MAJOR ASSEMBLY Installation - Electrical Equipment							U.S. NAVY	U.S. ARMY	BRITISH	
			PART NUMBER	1	2	3	4	5					6
34	9	S	A-1229 (P)						Reflector Assembly (Grimes)	1		03-C	
		S	A-1232 (P)						Gasket (Grimes)	2		03-C	
		S	A-1233-3 (P)						Lens - Green (Grimes)	1		03-C	
		S	A-1234 (P)						Clamp - Wire (Grimes)	1		03-C	
		S	No Number (P)						Lamp - 15 candle power double contact 12 volt (Grimes)	1			
		S	AN526-832-24						Screw - Button head	1		29	
		S	AN545-B5-5						Screw - Round head wood	2		29	
		S	*D170779						Installation - Grimes instrument light	1		01-H	
		S	32256 (P)						Lamp - Type C-5 (Grimes)	2		03-C	
		S	D17078 (P)						Installation - Instrument panel lamp (Fairchild)	1		01-H	
35	1	S	203 (P)					Light - Instrument (Fairchild)	2		03-C		
		S	B203-A5 (P)					Housing Assembly (Fairchild)			03-C		
		S	A203-45 (P)					Housing Clamp (Fairchild)			03-C		
		S	B203-46 (P)					Lens Assembly (Fairchild)			03-C		
		S	B203-A8 (P)					Socket Assembly (Fairchild)			03-C		
		S	A203-29 (P)					Housing Insulation (Fairchild)			03-C		
		S	A203-34 (P)					Lamp - 12 volt (Westinghouse)			08-B		
		S	B203-47 (P)					Lamp - 24 volt (General Electric)			08-B		
		S	10-32					Nut - Plain hexagonal	2		29		
		S	22M02 (P)					Nut - Elastic	2		04-A		
35	3	S	316 (P)					Joint - Ball (Air Associates)	2		04-A		
		S	10-32					Nut - Plain hexagonal	4		29		
		S	S-153-11					Screw - 3/16 cap	2		01-H		
		S	AN3A					Bolt - Aircraft 10-32	1		04-A		
		S	AC936-A10					Washer - Lock internal teeth	4		29		
		S	D170790 LH					Installation - Map reading light LH	1		01-H		
		S	D173206					Strip Assembly - Windshield upper corner tacking	1		01-H		
		S	D173206-1					Block - Attachment	1		01-H		
		S	D173206-2					Plate - Windshield upper corner tacking	2		01-H		
		S	AN340-6					Nut - Machine screw hexagonal	1		29		
34	10	S	AN505-6-16					Screw - Flat head	1		29		
		S	AN935-6					Washer - Medium spring lock	1		29		
		S	D173207					Strip - Windshield upholstery finish	1		01-H		
		S	AN545-2-5					Screw - Round head wood	2		29		
		S	67 (P)					Bulb - Single contact 12 volt (Mazda)	1		08-B		
		S	81A-13777 (P)					Dome Lamp Assembly (Ford)	1		03-C		
		S	78-13778 (P)					Dome Lamp Reflector and Socket Assembly (Ford)	1		03-C		
		S	78-13787 (P)					Reflector (Ford)	1		03-C		
		S	78-13790-A2 (P)					Socket and Wire Assembly (Ford)	1		03-C		
		S	M-1888-B (P)					Wire (Ford)	1		03-C		
34	10	S	B-14461-A (P)					End (Ford)	1		03-C		
		S	81A-13783 (P)					Dome Lamp Lens (Ford)	1		03-C		
		S	78-13784 (P)					Dome Lamp Lens Retainer (Ford)	1		03-C		
		S	81A-13788 (P)					Dome Lamp Door (Ford)	1		03-C		
		S	AN545-6-4					Screw - Round head wood	2		29		
		S	D170790 RH					Installation - Map reading light RH	1		01-H		
		S	D173206					Strip Assembly - Windshield upper corner tacking	1		01-H		
		S	D173206-1					Block - Attachment	1		01-H		
		S	D173206-2					Plate - Windshield upper corner tacking	2		01-H		

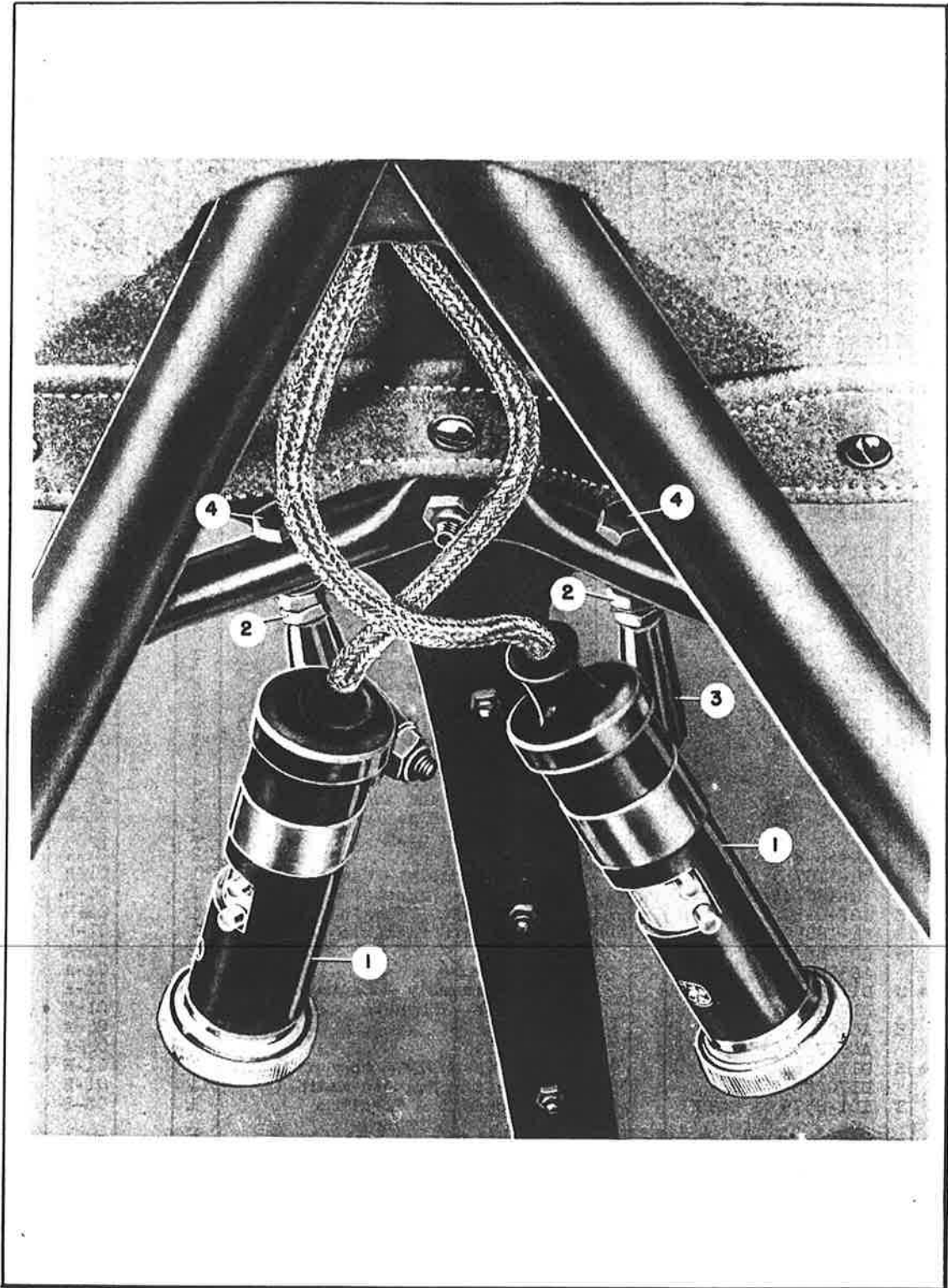


Figure 35 - Instrument Lamp Assembly

RESTRICTED

T. O. No. 01-90CC-4

SECTION II—GROUP ASSEMBLY PARTS LISTS

FIG. NO.	INDEX NO.	STOCKED	GROUP Equipment						UNITS PER ASSY	PROPERTY CLASSIFICATION				
			MAJOR ASSEMBLY Installation - Electrical Equipment							U.S. NAVY	U.S. ARMY	BRITISH		
			PART NUMBER	1	2	3	4	5					6	NOMENCLATURE
		S	AN340-6								1		29	
		S	AN505-6-16								1		29	
		S	AN935-6								1		29	
		S	D173207								1		01-H	
		S	AN545-2-5								2		29	
		S	67	(P)							1		08-B	
		S	81A-13777	(P)							1		03-C	
		S	78-13778	(P)							1		03-C	
		S	78-13787	(P)							1		03-C	
		S	78-13790-A2	(P)							1		03-C	
		S	M-1888-B	(P)							1		03-C	
		S	B-14461-A	(P)							1		03-C	
		S	81A-13783	(P)							1		03-C	
		S	78-13784	(P)							1		03-C	
		S	81A-13788	(P)							1		03-C	
		S	AN545-6-4								2		29	
		S	D170795								1		01-H	
34	12	S	D170767								1		01-H	
		S	D170767-2								1		01-H	
		S	3	(P)							1		08-B	
		S	68A7-82	(P)							2		04-A	
		S	AN430-3-4								4		29	
		S	AN931-8-13								1		04-B	
		S	AN515-8-6								2		29	
		S	AN960-8								2		04-A	
		S	D170768								1		01-H	
34	25	S	D170768-2								1		01-H	
		S	3	(P)							1		03-C	
		S	68A7-82	(P)							2		04-A	
		S	AN430-3-4								4		29	
		S	AN931-6-10								1		04-B	
		S	AN515-8-6								2		29	
		S	AN960-8								2		04-A	
		S	74-180783								1		01-H	
		S	74-180783-2								1		01-H	
		S	101-0250	(P)							1		08-B	
		S	84-180799								1		01-H	
		S	AC39B3334-2								2		04-A	
		S	AC39B3335-2								2		04-A	
		* S	D170788								1		01-H	
		S	D170788-2								1		01-H	
		S	AC39B3334-3								2		04-A	
		S	AC39B3335-3								2		04-A	
		** S	D170796								1		01-H	
		S	D170796-2								1		01-H	
		S	101-0375	(P)							1		08-B	
		S	AC39B3334-3								2		04-A	
		S	AC39B3335-3								2		04-A	
		S	D170797								1		01-H	
		S	D170797-2								1		01-H	
		S	101-0500	(P)							1		08-B	
		S	84-180776								1		01-H	
		S	AC39B3334-3								1		04-A	
		S	AC39B3335-3								1		04-A	
		S	AN3052-8								1		04-A	
											1		04-A	

RESTRICTED

T. O. No. 01-90CC-4

SECTION II—GROUP ASSEMBLY PARTS LISTS

FIG. NO.	INDEX NO.	SYMBOL	GROUP Equipment						UNITS PER ASSY	PROPERTY CLASSIFICATION					
			MAJOR ASSEMBLY Installation - Electrical Equipment							U.S. NAVY	U.S. ARMY	BRITISH			
			PART NUMBER	1	2	3	4	5					6	NOMENCLATURE	
		S	AN3054-12								1		04-A		
		S	D170798								1		01-H		
		S	D170798-2								1		01-H		
		S	691 (P)								1		08-B		
		S	D170798-4								1		01-H		
		S	691 (P)								1		08-B		
		S	AC660-50								1		08-B		
		S	AC365-832								1		04-A		
		S	AN515-8-6								1		29		
		S	AC755-6								1		04-A		
		S	103990-06-0900								1		01-H		
		S	GK-03-23-1/2B (P)								1		03-C		
		S	4-40 x 5/32								3		29		
		**	(Not used on airplanes 42-38674 to 42-38691 incl.)												
		***	(Used on airplanes 42-38674 to 42-38691 incl.)												
		S	578S-2										03-C		
		S	592S-15A								1		03-C		
		S	592S-40A								2		03-C		
		S	5975-GK										03-C		
		S	667S-1/2B										03-C		
		S	718S-GK										03-C		
		S	No Number										03-C		
		S	GK-03-32S (P)								1		03-C		
		S	030-082-00								1		03-C		
		S	030-146-00								2		03-C		
		S	112-014-00										03-C		
		S	112-015-00										03-C		
		S	112-016-00										03-C		
		S	237-034-00										03-C		
		S	248-017-00										03-C		
		S	AN365-448								4		04-A		
		S	AN520-4-6								4		29		
		S	SK-L3-23-3/8B (P)								1		03-C		
		S	SK-L3-32S (P)								1		03-C		
		S	AN365-448								4		04-A		
		S	AN520-4-6								4		29		
		S	25-0376 (P)								1		03-C		
		S	AN960-616								As req		04-A		
		S	1/8-1-0250 (P)								1		04-A		
		S	3154-2 (P)								1		04-A		
		S	3355-2 (P)								2		04-A		
		S	3380-1 (P)								2		04-A		
		S	D170810								1		01-H		
		S	D179541								1		01-H		
		S	D179544								1		01-H		
		S	AC365-832								5		04-A		
		S	515-8-10								5		29		
		S	960-8								5		04-A		
34	26	S	2 (P)								1		03-C		
		S	934 (Eclipse)								2		03-C		
		S	2458 (Eclipse)								2		03-C		
		S	2460								2		03-C		
		S	2462 (Eclipse)								2		03-C		
		S	6801-1 (Eclipse)								4		03-C		
		S	8125 (Eclipse)								8		03-C		

RESTRICTED

RESTRICTED

T. O. No. 01-90CC-4

SECTION II—GROUP ASSEMBLY PARTS LISTS

FIG. NO.	INDEX NO.	STOCKED	GROUP Equipment						UNITS PER ASSY	PROPERTY CLASSIFICATION			
			MAJOR ASSEMBLY Installation - Electrical Equipment							U.S. NAVY	U.S. ARMY	BRITISH	
			PART NUMBER	1	2	3	4	5					6
		S	13033 (Eclipse)							1		03-C	
		S	13035 (Eclipse)							1		03-C	
		S	13241-1 (Eclipse)							2		03-C	
		S	13798 (Eclipse)							4		03-C	
		S	15017 (Eclipse)							1		03-C	
		S	16092 (Eclipse)							4		03-C	
		S	16102-3 (Eclipse)							1		03-C	
		S	16106-3 (Eclipse)							1		03-C	
		S	16372 (Eclipse)							2		03-C	
		S	16428 (Eclipse)							2		03-C	
		S	16761 (Eclipse)							4		03-C	
		S	16765 (Eclipse)							1		03-C	
		S	16956 (Eclipse)							4		03-C	
		S	17106 (Eclipse)							2		03-C	
		S	17202 (Eclipse)							2		03-C	
		S	17250 (Eclipse)							1		03-C	
		S	17573 (Eclipse)							1		03-C	
		S	17577 (Eclipse)							1		03-C	
		S	17580 (Eclipse)							1		03-C	
		S	17650 (Eclipse)							1		03-C	
		S	17651 (Eclipse)							1		03-C	
		S	17652 (Eclipse)							1		03-C	
		S	18332 (Eclipse)							1		03-C	
		S	18345 (Eclipse)							4		03-C	
		S	18349 (Eclipse)							2		03-C	
		S	18357 (Eclipse)							4		03-C	
		S	19738 (Eclipse)							2		03-C	
		S	19745 (Eclipse)							1		03-C	
		S	19746 (Eclipse)							1		03-C	
		S	19750 (Eclipse)							1		03-C	
		S	19754 (Eclipse)							1		03-C	
		S	19759 (Eclipse)							1		03-C	
		S	19767 (Eclipse)							1		03-C	
		S	19768 (Eclipse)							1		03-C	
		S	19771-1 (Eclipse)							1		03-C	
		S	19897 (Eclipse)							1		03-C	
		S	19898 (Eclipse)							1		03-C	
		S	20327 (Eclipse)							1		03-C	
		S	20476 (Eclipse)							1		03-C	
		S	20500-11 (Eclipse)							4		03-C	
		S	20500-20 (Eclipse)							5		03-C	
		S	20500-22 (Eclipse)							4		03-C	
		S	20501-2 (Eclipse)							1		03-C	
		S	20501-10 (Eclipse)							5		03-C	
		S	20502-2 (Eclipse)							4		03-C	
		S	20502-3 (Eclipse)							1		03-C	
		S	20503-6 (Eclipse)							2		03-C	
		S	20507-8 (Eclipse)							2		03-C	
		S	20507-62 (Eclipse)							2		03-C	
		S	20520-1 (Eclipse)							1		03-C	
		S	22816 (Eclipse)							1		03-C	
		S	22819 (Eclipse)							1		03-C	
		S	22821 (Eclipse)							1		03-C	

RESTRICTED

RESTRICTED

T. O. No. 01-9000-4

SECTION II—GROUP ASSEMBLY PARTS LISTS

FIG. NO.	INDEX NO.	STOCKED	GROUP Equipment						UNITS PER ASSY	PROPERTY CLASSIFICATION				
			MAJOR ASSEMBLY Installation - Electrical Equipment							U.S. NAVY	U.S. ARMY	BRITISH		
			PART NUMBER	1	2	3	4	5					6	NOMENCLATURE
		S	22878 (Eclipse)								1		03-C	
		S	23067 (Eclipse)								1		03-C	
		S	23068 (Eclipse)								1		03-C	
		S	25103 (Eclipse)								8		03-C	
		S	26044 (Eclipse)								1		03-C	
		S	26231 (Eclipse)								1		03-C	
		S	26402 (Eclipse)								2		03-C	
		S	26408 (Eclipse)								2		03-C	
		S	26582 (Eclipse)								4		03-C	
		S	26583 (Eclipse)								5		03-C	
		S	26584 (Eclipse)								1		03-C	
		S	26585 (Eclipse)								1		03-C	
		S	26802 (Eclipse)								5		03-C	
		S	73106 (Eclipse)								1		03-C	
		S	77875 (Eclipse)								2		03-C	
		S	77876 (Eclipse)								2		03-C	
		S	77877 (Eclipse)								2		03-C	
		S	77896 (Eclipse)								1		03-C	
		S	77923-3 (Eclipse)								1		03-C	
		S	107848 (Eclipse)								1		03-C	
		S	111364 (Eclipse)								1		03-C	
		S	AC365-1032								4		04-A	
		S	AN520-10-8								4		29	
		S	AN960-10								4		04-A	
		S	No Number (P)								1			
		S	AC365-632								6		04-A	
		S	AN526-632-7								6		29	
		S	AN960-6								6		04-A	
		S	D170860								1		01-H	
		S	D170845								1		01-H	
		S	D170845-2								1		01-H	
		S	AC42D5051											
		S	505-6-16								2		29	
		S	AN931-4-7								1		04-B	
		S	AC365-832								2		04-A	
		S	AN515-8-8								2		29	
		S	AN3064-8								1		04-A	
		S	AN3066-8								1		04-A	
		S	D170855								1		01-H	
		S	D170856								1		01-H	
		S	4 (P)								1		03-C	
		S	D170857								1		01-H	
		S	4 (P)								1		01-C	
		S	68A7-62								2		04-A	
		S	AN340-3								2		29	
		S	AN455AD3-4								4		29	
		S	AN505-3-7								2		29	
		S	AN515-6-6								2		29	
		S	AN3064-3								4		04-A	
		S	AN3064-8								1		04-A	
		S	AN3066-3								4		04-A	
		S	AN3066-8								1		04-A	

RESTRICTED

T. O. No. 01-90CC-4

SECTION II—GROUP ASSEMBLY PARTS LISTS

FIG. NO.	INDEX NO.	STOCKED	GROUP Equipment						UNITS PER ASSY	PROPERTY CLASSIFICATION		
			MAJOR ASSEMBLY Installation - Electrical Equipment							U.S. NAVY	U.S. ARMY	BRITISH
			PART NUMBER	1	2	3	4	5				
		S	104250-A-4-9						1		01-H	
		S	BX57-1 (P)						1		08-B	
		S	AN340-B6						4		29	
		S	AC365-632						4		04-A	
		S	AN960-B6						4		04-A	
		S	104354-9 (Lincoln Mfg. No. 9 9/16 1.)						4		29	
		S	106239-A-5						1		01-H	
		S	AC365-832						4		04-A	
		S	AN526-832-5						4		29	
		S	D170861						2		01-H	
		S	D170861-2						1		01-H	
		S	AC366-F632						6		04-A	
		S	AN425AD3-4						12		29	
		S	AN456AD3-4						36		29	
		S	D170862						1		01-H	
			D170862-2						1		01-H	
		S	AC366-F632						6		04-A	
		S	AN425AD3-6						12		29	
			D170862-4						2		01-H	
		S	AC365-440						6		04-A	
		S	AN515-4-14						6		29	
		S	AN960-4						12		04-A	
		S	D170863						1		01-H	
			D170863-2						1		01-H	
		S	AC366-F632						6		04-A	
		S	AN425AD3-6						12		29	
		S	104311-00700						2		01-H	
		S	D170864						1		01-H	
		S	D170864-2						1		01-H	
		S	1-0187 (P)						1		08-B	
		S	AC39B3334-2						1		04-A	
		S	AN3050-3						1		04-A	
		S	AN3051-3						1		04-A	
		S	AN3054-3						1		04-A	
		S	AC365-832						6		04-A	
		S	AN505-8-10						2		29	
		S	AN515-8-7						1		29	
		S	AN515-8-10						3		29	
		S	AC755-5						9		04-A	
		S	AC755-10						2		04-A	
		S	AN960-8						3		04-A	
		S	D170865						1		01-H	
		S	D170865-2						1		01-H	
		S	1-0500 (P)						1		08-B	
		S	AN3050-8						2		04-A	
		S	AN3054-8						2		04-A	
		S	AC365-832						6		04-A	

RESTRICTED

RESTRICTED
T. O. No. 01-900C-4
SECTION II—GROUP ASSEMBLY PARTS LISTS

FIG. NO.	INDEX NO.	STOCK #	GROUP Equipment						UNITS PER ASSY	PROPERTY CLASSIFICATION				
			MAJOR ASSEMBLY Installation - Electrical Equipment							U.S. NAVY	U.S. ARMY	BRITISH		
			PART NUMBER	1	2	3	4	5					6	NOMENCLATURE
		S	AN505-8-16								3		29	
		S	AN515-8-6								2		29	
		S	AN515-8-12								1		29	
		S	AC755-10								6		04-A	
		S	AN960-8								3		04-A	
		S	D170866								1		01-H	
		S	D170866-2								1		01-H	
		S	1-0187 (P)								1		08-B	
		S	AN3050-3								2		04-A	
		S	AN3054-3								2		04-A	
		S	D170867								1		01-H	
		S	D170867-2								1		01-H	
		S	1-0187 (P)								1		08-B	
		S	AN3050-3								2		04-A	
		S	AN3054-3								2		04-A	
		S	D170868								1		01-H	
		S	D170868-2								1		01-H	
		S	1-0187 (P)								1		08-B	
		S	AN3050-3								2		04-A	
		S	AN3054-3								2		04-A	
		S	92-2-11 (P)								1		04-A	
		S	AC365-832								3		04-A	
		S	AN515-8-6								1		29	
		S	AN515-8-10								2		29	
		S	AN960-8								2		04-A	
		S	6AJ6-6 (P)								1		08-B	
			No Number								1			
			No Number								2			
		S	AC755-5								3		04-A	
		S	AC755-16								1		04-A	
		S	AC365-832								1		04-A	
		S	AN515-8-10								1		29	
		S	AN931-6-10								2		04-B	
34	13	S	AC52366								1		03-C	
		S	AN515-6-10								6		29	
		S	100951-0040-008-020								1		01-H	
34	14	S	AC32374								1		03-C	
		S	AC505-6-7								12		29	
34	14	S	AC32374								1		03-C	
		S	AC505-6-8								6		29	
34	14	S	AC32374								1		03-C	
			D170980								2		01-H	
34-	15	S	ST-1220								1		03-C	
		S	G-1691								1		03-C	
		S	B-1738 (Grimes)								1		03-C	

RESTRICTED

RESTRICTED
T. O. No. 01-90CC-4
SECTION II—GROUP ASSEMBLY PARTS LISTS

FIG. NO.	INDEX NO.	STOCKED	GROUP Equipment						UNITS PER ASSY	PROPERTY CLASSIFICATION		
			MAJOR ASSEMBLY Installation - Electrical Equipment							U.S. NAVY	U.S. ARMY	BRITISH
			PART NUMBER	1	2	3	4	5				
		S	1204						1		29	
		S	8-32 x 3/8 (use AN515-8-6)						1		29	
		S	8-32 (use AN340D8)						1		29	
		S	1208						1		29	
		S	A-19						1		03-C	
		S	A-1829 (Grimes)						1		03-C	
		S	B-1528 (Grimes)						1		03-C	
		S	A-1521 (Grimes)						1		03-C	
		S	A-1526 (Grimes)						1		03-C	
		S	A-1525 (Grimes)						1		03-C	
		S	A-1520 (Grimes)						1		03-C	
		S	1/8 x 11/32						1		29	
		S	B-1665 (Grimes)						1		03-C	
		S	A-1707 (Grimes)						2		03-C	
		S	A-1724 (Grimes)						1		03-C	
		S	A-1737 (Grimes)						1		03-C	
		S	A-1570 (Grimes)						2		03-C	
		S	A-1289 (Grimes)						1		03-C	
		S	A-1290 (Grimes)						2		03-C	
		S	A-1684 (Grimes)						1		03-C	
		S	A-1683 (Grimes)						1		03-C	
		S	A-1680 (Grimes)						1		03-C	
		S	4-40 x 3/8 (use AN515-4-6)						3		29	
		S	A-1579 (Grimes)						1		03-C	
		S	A-1575 (Grimes)						1		03-C	
		S	A-1572 (Grimes)						1		03-C	
		S	A-2553-3 (Grimes)						1		03-C	
		S	A-2553-2 (Grimes)						1		03-C	
		S	A-1577 (Grimes)						1		03-C	
		S	A-1379 (Grimes)						1		03-C	
		S	A-1535 (Grimes)						1		03-C	
		S	A-2476 (Grimes)						1		03-C	
		S	1/16 x 1/4 (use 430AD2-4)						2		29	
		S	A-1578 (Grimes)						1		03-C	
		S	A-1686 (Grimes)						1		03-C	
		S	A-2553-2 (Grimes)						1		03-C	
		S	A-1539 (Grimes)						1		03-C	
		S	A-1538 (Grimes)						1		03-C	
		S	8-32 x 3/8 (use AN515-8-6)						1		29	
		S	1208						1		29	
		S	E-4124 (Grimes)(P)						4		03-C	
		S	A-1728 (Grimes)						1		03-C	

RESTRICTED
T. O. No. 01-90CC-4
SECTION II—GROUP ASSEMBLY PARTS LISTS

FIG. NO.	INDEX NO.	STOCKED	GROUP Equipment						UNITS PER ASSY	PROPERTY CLASSIFICATION			
			MAJOR ASSEMBLY Installation - Electrical Equipment							U.S. NAVY	U.S. ARMY	BRITISH	
			PART NUMBER	1	2	3	4	5					6
		S	A-1726 (Grimes)							1		03-C	
		S	A-1377 (Grimes)							1		03-C	
		S	A-1378 (Grimes)							2		03-C	
		S	A-1379 (Grimes)							1		03-C	
		S	A-1535 (Grimes)							1		03-C	
		S	A-1584 (Grimes)							1		03-C	
		S	A-1536 (Grimes)							1		03-C	
		S	A-2553-4 (Grimes)							1		03-C	
		S	A-1585 (Grimes)							1		03-C	
		S	4-40 x 1/2 (use AN515-4-8)							2		29	
		S	1204							2		29	
		S	A-1727 (Grimes)							1		03-C	
		S	A-1574 (Grimes)							1		03-C	
		S	A-1571 (Grimes)							1		03-C	
		S	A-2553-1 (Grimes)							1		03-C	
		S	A-1377 (Grimes)							1		03-C	
		S	A-1378 (Grimes)							2		03-C	
		S	A-1586 (Grimes)							1		03-C	
		S	A-2589 (Grimes)							1		03-C	
		S	4-40 x 1/2 (use AN515-4-8)							2		29	
		S	1204							2		29	
		S	A-2590 (Grimes)							1		03-C	
		S	A-2140 (Grimes)							1		03-C	
		S	A-2504 (Grimes)							1		03-C	
		S	A-2553-3 (Grimes)							1		03-C	
		S	A-1568 (Grimes)							1		03-C	
		S	A-1378 (Grimes)							2		03-C	
		S	4-40 x 1/2 (use AN515-4-8)							2		29	
		S	1204							2		29	
		S	B-1956							1		03-C	
		S	A-1971 (12 volt) (Grimes)							1		03-C	
		S	A-1973 (12 volt) (Grimes)							1		03-C	
		S	A-1972 (Grimes)							1		03-C	
		S	A-1325 (Grimes)							1		03-C	
		S	A-1324 (Grimes)							2		03-C	
		S	A-1323 (Grimes)							9		03-C	
		S	A-1970 (Grimes)							1		03-C	
		S	A-1326 (Grimes)							1		03-C	
		S	5/16							2 1/4"		29	
		S	A-1363 (Grimes)							1		03-C	
		S	A-1369 (Grimes)							1		03-C	
		S	A-1373 (Grimes)							1		03-C	
		S	A-1372 (Grimes)							1		03-C	
		S	A-1327 (Grimes)							1		03-C	

RESTRICTED

RESTRICTED

T. O. No. 01-90CC-4

SECTION II—GROUP ASSEMBLY PARTS LISTS

FIG. NO.	INDEX NO.	STOCKED	GROUP Equipment						UNITS PER ASSY	PROPERTY CLASSIFICATION			
			MAJOR ASSEMBLY Installation - Electrical Equipment							U.S. NAVY	U.S. ARMY	BRITISH	
			PART NUMBER	1	2	3	4	5					6
		S	A-1368 (Grimes)						Spacer	3		03-C	
		S	29						Wire - Armature winding (35 winds 12. volt)	60'		08-B	
			30GA.S.C.C.						Wire - Armature winding (50 winds 24 volt)	85'		08-B	
		S	A-1673 (12 volt) (Grimes)						Field Assembly (A-2029 24 volt)	1		03-C	
		S	A-1370 (Grimes)						Lamination	11		03-C	
		S	A-1375 (Grimes)						Insulator - Coil field	2		03-C	
		S	26						Wire - Field coil (135 winds 12 volt)	43'		08-B	
		S	29						Wire - Field coil (200 winds 24 volt)	63'		08-B	
		S	13/16						Gummed Tape	1 3/8"		29	
		S	A-1190 (Grimes)						Brush Assembly	1		03-C	
		S	A-1317 (Grimes)						Bracket	1		03-C	
		S	A-1322 (Grimes)						Bushing	1		03-C	
		S	A-1320 (Grimes)						Insulator	1		03-C	
		S	A-1319 (Grimes)						Housing	2		03-C	
		S	A-1321 (Grimes)						Spring	2		03-C	
		S	A-1318 (Grimes)						Brush	2		03-C	
		S	1489 (P)						Eyelet (American Brass)	2		29	
		S	E4122 (P)						Eyelet (American Brass)	4		29	
		S	25						Wire - Brush connection	2		08-B	
		S	A-1469 (Grimes)						Frame	1		03-C	
		S	A-1308 (Grimes)						Bearing	1		03-C	
		S	A-1237 (Grimes)						Washer - Oil seal	1		03-C	
		S	10-24 x 1/4						Screw - Oil seal, R.H. Mach.	1		29	
		S	A-1367 (Grimes)						Felt - Grease retainer	1		03-C	
		S	A-1366 (Grimes)						Felt - Oiler	1		03-C	
		S	A-1194 (Grimes)						Case	1		03-C	
		S	A-1389 (Grimes)						Sleeve - Coil wire	1		03-C	
		S	8-32 x 5/8 (use AN515-8-10)						Screw - Field assembly fastening, R.H. Mach.	4		29	
		S	8-32 x 5/16 (use 42B4943-832-5)						Screw - Brush assembly fastening, Fill. Hd. Mach.	2		29	
		S	6-32 x 1/4 (use AN515-6-4)						Screw - Case assembly fastening, R.H. Mach.	1		29	
		S	6-32 x 1/4 (use AN515-6-4)						Screw - Bracket fastening, R.H. Mach.	1		29	
		S	A-1639 (Grimes)						Wire - Motor to extend	1		03-C	
		S	A-1664 (Grimes)						Wire - Motor to retract	1		03-C	

RESTRICTED

RESTRICTED

T. O. No. 01-90CC-4

SECTION II—GROUP ASSEMBLY PARTS LISTS

FIG. NO.	INDEX NO.	STOCK E D	GROUP Equipment						UNITS PER ASSY	PROPERTY CLASSIFICATION				
			MAJOR ASSEMBLY Installation - Electrical Equipment							U.S. NAVY	U.S. ARMY	BRITISH		
			PART NUMBER	1	2	3	4	5					6	NOMENCLATURE
		S	A-1638 (Grimes)								1		03-C	
		S	A-1637 (Grimes)								1		03-C	
		S	934 (P)								2		29	
		S	A-2033 (Grimes)								1		03-C	
		S	A-1201 (Grimes)								1		03-C	
		S	A-1313 (Grimes)								1		03-C	
		S	A-1312 (Grimes)								1		03-C	
		S	A-2032 (Grimes)								1		03-C	
		S	A-1309 (Grimes)								1		03-C	
		S	A-1129 (Grimes)								1		03-C	
		S	A-1315 (Grimes)								1		03-C	
		S	A-1316 (Grimes)								1		03-C	
		S	21								35'		08-B	
		S	24								60'		08-B	
		S	A-1202 (Grimes)								1		03-C	
		S	A-1203 (Grimes)								1		03-C	
		S	A-1314 (Grimes)								1		03-C	
		S	A-1311 (Grimes)								1		03-C	
		S	1222-4								2		29	
		S	1220								1		29	
		S	B-1812 (Grimes)								1		03-C	
		S	A-1813 (Grimes)								1		03-C	
		S	A-1199 (Grimes)								1		03-C	
		S	A-1816 (Grimes)								1		03-C	
		S	A-1962 (Grimes)								1		03-C	
		S	A-1962-1 (Grimes)								1		03-C	
		S	A-1962-2 (Grimes)								1		03-C	
		S	A-1969 (Grimes)								1		03-C	
		S	A-1969-1 (Grimes)								1		03-C	
		S	A-1969-2 (Grimes)								1		03-C	
		S	A-1963 (Grimes)								1		03-C	
		S	A-1963-1 (Grimes)								1		03-C	
		S	A-1963-2 (Grimes)								1		03-C	
		S	A-1955A (Grimes)								1		03-C	

RESTRICTED

T. O. No. 01-900C-4

SECTION II—GROUP ASSEMBLY PARTS LISTS

FIG. NO.	INDEX NO.	STOCKED	GROUP Equipment						UNITS PER ASSY	PROPERTY CLASSIFICATION			
			MAJOR ASSEMBLY Installation - Electrical Equipment							U.S. NAVY	U.S. ARMY	BRITISH	
			PART NUMBER	1	2	3	4	5					6
		S	A-1955A-1 (Grimes)							1		03-C	
		S	A-1955A-2 (Grimes)							1		03-C	
		S	A-1955A-3 (Grimes)							1		03-C	
		S	8-32 x 1 1/8 (use ST350)							2		29	
		S	8							2		29	
		S	1208							2		29	
		S	B-1527 (Grimes)							1		03-C	
		S	A-1530 (Grimes)							1		03-C	
		S	A-1524 (Grimes)							1		03-C	
		S	A-2467 (Grimes)							15		03-C	
		S	A-2467-1 (Grimes)							1		03-C	
		S	A-2467-2 (Grimes)							1		03-C	
		S	A-2467-3 (Grimes)							1		03-C	
		S	1/16 x 1/4 (use AN430-2-4)							2		29	
		S	A-1679 (Grimes)							1		03-C	
		S	2 x 1/4 (P)							3		29	
		S	A-2141 (Grimes)							1		03-C	
		S	4-40 x 5/16 (use AN515-4-5)							4		29	
		S	1204							4		29	
		S	4-40 x 5/8 (use 42B4945-440-10)							15		29	
		S	A-1599 (Grimes)							1		03-C	
		S	A-1421 (Grimes)							1		03-C	
		S	A-1597 (Grimes)							1		03-C	
		S	A-1291 (Grimes)							1		03-C	
		S	A-1293 (Grimes)							2		03-C	
		S	A-1598 (Grimes)							1		03-C	
		S	A-1288 (Grimes)							1		03-C	
		S	A-1688 (Grimes)							1		03-C	
			D171130							1		01-H	
		S	D171141							1		01-H	
		S	D171140							1		01-H	
		S	S-218-100							1		01-H	
		S	AN455AD-3-4							2		29	
		S	D171143							1		01-H	
		S	AN526-632-6							4		29	
		S	D-92844 (P)							1		01-H	
		S	AN320-10							1		04-A	
		S	D-94177 (P)							1		01-H	
		S	AN931-5-9							1		04-B	
		S	D171740							1		01-H	
34	19	S	D171742							1		01-H	
			D170310							1		01-H	
			D170310-2							1		01-H	
		S	AC811BT-3D							1		04-A	
		S	AC811T-3CS							1		04-A	

RESTRICTED
T. O. No. 01-9000-4
SECTION II—GROUP ASSEMBLY PARTS LISTS

FIG. NO.	INDEX NO.	STOCKED	GROUP Equipment						UNITS PER ASSY	PROPERTY CLASSIFICATION			
			MAJOR ASSEMBLY Installation - Electrical Equipment							U.S. NAVY	U.S. ARMY	BRITISH	
			PART NUMBER	1	2	3	4	5					6
34	16		D170311							1		01-H	
			D170311-2							1		01-H	
		S	AC811BT-3D							1		04-A	
		S	AC811T-3CS							1		04-A	
		S	3202-3S (P)							1		05-E	
		S	AC811-HT-3D							2		04-A	
		S	D171746							1		01-H	
			D171747							1		01-H	
		S	D171748							1		01-H	
		S	AC365-1032							4		04-A	
		S	AN520-10-8							4		29	
		S	AN960-10							4		04-A	
		S	D173220							1		01-H	
		S	403 (P)							1		03-C	
		S	22A3-62 (P)							3		04-A	
		S	AN425AD3-3							3		29	
		S	AN505-6-8							3		29	
		S	D179400							1		01-H	
		S	D179401							1		01-H	
			D179401-1							2		01-H	
			AN430AD-3-4							16		29	
			D179401-2							1		01-H	
			AN430AD-3-4							50		29	
			D179401-3							1		01-H	
			D179401-4							60		01-H	
			D179401-5							1		01-H	
		S	D179402							1		01-H	

RESTRICTED

T. O. No. 01-90CC-4

SECTION II—GROUP ASSEMBLY PARTS LISTS

FIG. NO.	INDEX NO.	STOCKED	GROUP Equipment						UNITS PER ASSY	PROPERTY CLASSIFICATION		
			MAJOR ASSEMBLY Installation - Cabin Furnishings							U.S. NAVY	U.S. ARMY	BRITISH
			PART NUMBER	1	2	3	4	5				
			D179406						1		01-H	
		S	D179407					Tube - Battery box drain	1		01-H	
		S	101722A-3-4					Plate - Battery drain box	1		01-H	
		S	D179409					Rivet - Modified brazier head	4		01-H	
		S	AN430AD-2-3					Fair-lead - Battery ground cable	1		01-H	
		S	No. 100 (P)					Rivet - Round-head	4	29		
		S	AN425AD-4-6					Spring (Dzus)	2	04-A		
		S	AN960-8					Rivet - 78° countersunk head	4	29		
		S	AC365-832					Washer - Plain	4	04-A		
		S	AN505-8-24					Nut - Self-locking	14	04-A		
		S	AN960-8					Screw - Flathead	14	29		
		S	D179403					Washer - Plain	14	04-A		
		S	D179404					Cover Assembly - Battery box	1	01-H		
								Lining Assembly - Battery box cover	1	01-H		
			D179404-1					Strip - Lining reinforcement	2	01-H		
		S	D179404-2					Lining - Battery box cover	1	01-H		
		S	AN455AD-3-5					Rivet - Brazier head	1	29		
		S	AN455AD-3-12					Rivet - Brazier head	4	29		
		S	AN940-13					Washer - Burr	5	29		
		S	D179408					Plate - Battery box cover	1	01-H		
		S	A-40 (P)					Fastener (Dzus)	2	04-A		
		S	375 (P)					Grommet (Dzus)	2	04-A		
		S	D179405					Mat Assembly - Battery box	1	01-H		
			D179405-1					Strip - Battery box mat	1	01-H		
			D179405-2					Strip - Battery box mat	1	01-H		
			D173003					Installation - Cabin furnishings	1	01-H		
			D170090					Installation - Blind flying hood	1	01-H		
		S	D170091					Hood Assembly - Blind flying	1	01-H		
		S	AC224-1					Button - Snap	30	29		
		S	AC224-2					Socket - Snap	30	29		
		S	AC224-3					Stud - Snap	16	29		
		S	AC224-4					Eyelet - Snap	16	29		
		S	X1531					Cord - Elastic		03-F		
		S	AC224-3					Stud - Snap	14	29		
		S	AC365-632					Nut - Self-locking	5	04-A		
		S	AN515-6-8					Screw - Round-head	5	29		
		S	AN545-6-5					Screw - Round-head	9	29		
		S	D170115					Placard - Lateral leveling pins	1	01-H		
			D170270					Installation - Check off list placard	1	01-H		
		S	D170058					Placard - Loading schedule	1	01-H		
		S	4 x 3/8					Screw - Binding head	2	29		
		S	D170121					Placard - Check off list	1	01-H		
		S	4 x 3/8					Screw - Binding head	2	29		
		S	S-60					Frame Assembly - Placard	1	01-H		
			S-60-1					Frame - Placard	1	01-H		
			S-60-2					Glass - Placard frame	1	01-H		
			D170320					Installation - Vacuum selector valve	1	01-H		
		S	D170105					Placard - Vacuum selector valve	1	01-H		
		S	0 x 3/16 (P)					Screw - Drive (Parker)	2	29		
		S	D170321					Support - Vacuum selector valve	1	01-H		
		S	AC365-832					Nut - Self-locking	4	04-A		
		S	AN515-8-20					Screw - Round-head	4	29		
		S	AN960-8					Washer - Plain	4	04-A		
		S	1180043					Strainer Assembly - Vacuum selector valve	1	03-I		
		S	1180043-1					Reducer - Vacuum selector valve	1	03-I		
		S	AC895-81					Fitting - Pipe	1	04-A		
		S	6 (P)					Strainer - Monel finger	1	03-I		

RESTRICTED

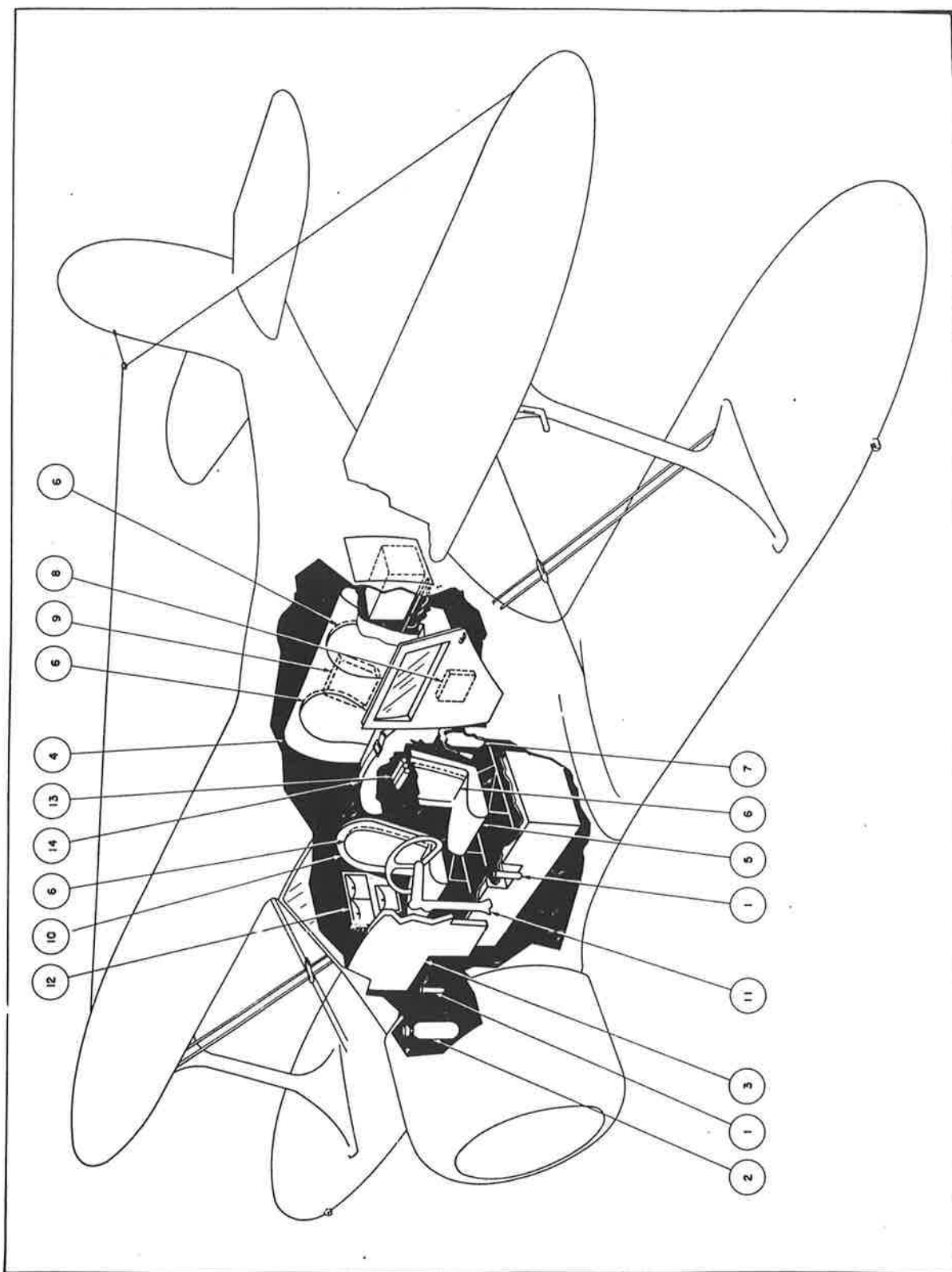


Figure 36 - Cabin Contents

RESTRICTED
T. O. No. 01-90CC-4
SECTION II—GROUP ASSEMBLY PARTS LISTS

FIG. NO.	INDEX NO.	STOCKED	GROUP Equipment						UNITS PER ASSY	PROPERTY CLASSIFICATION				
			MAJOR ASSEMBLY Installation - Cabin Furnishings							U.S. NAVY	U.S. ARMY	BRITISH		
			PART NUMBER	1	2	3	4	5					6	NOMENCLATURE
30	28	S	3151 (P)							1		03-F		
		S	189696P							2		03-F		
		S	AC365-832							4		04-A		
		S	AN505-8-7							4		29		
		S	561-D-8 (P)							2		01-C		
		S	561-D-10 (P)							2		01-C		
		S	701P1 (P)							1		03-I		
		S	703-6-8D (P)							1		03-I		
		S	D170405							1		01-H		
		S	D170406							2		01-H		
		S	CR264 (P)							1		29		
		S	AC365-632							2		04-A		
		S	AN515-6-5							2		29		
		S	D174071							2		01-H		
36	1	S	AC365-632						4		04-A			
		S	AN515-6-8						4		29			
		S	950 (P)							6		08-B		
		S	2612 (P)							2		08-B		
		S	D170410							1		01-H		
		S	D170411							1		01-H		
		S	S-208-D12-03							3		01-H		
		S	AC365-1032							3		04-A		
		S	AN526-1032-12							3		29		
		S	D170412							1		01-H		
		S	D170412-2							1		01-H		
		S	562-D-9 (P)							1		01-C		
		S	562-D-10 (P)							1		01-C		
		S	AN4-10							2		04-A		
S	AN310-4							2		04-A				
S	AN380-2-2							2		29				
S	D170413							1		01-H				
S	D170414							1		01-H				
S	561-D-4							1		01-C				
S	AC365-832							4		04-A				
S	AN526-832-6							4		29				
S	AN4-10							1		04-A				
S	AN310-4							1		04-A				
S	AN380-2-2							1		29				
S	20101 (P)							1		03-F				
36	7	S	1166									03-F		
		S	2048									03-F		
		S	6655									03-F		
		S	6658									03-F		
		S	6659									03-F		
		S	8318									03-F		
		S	15253									03-F		
		S	15254									03-F		
		S	15257									03-F		
		S	15261									03-F		
		S											03-F	
		S											03-F	
		S											03-F	
		S											03-F	

RESTRICTED

T. O. No. 01-90CC-4

SECTION II—GROUP ASSEMBLY PARTS LISTS

FIG. NO.	INDEX NO.	STOCKED	GROUP Equipment						UNITS PER ASSY	PROPERTY CLASSIFICATION			
			MAJOR ASSEMBLY Installation - Cabin Furnishings							U.S. NAVY	U.S. ARMY	BRITISH	
			PART NUMBER	1	2	3	4	5					6
			15262									03-F	
			15493									03-F	
			15501									03-F	
			15502									03-F	
			15544									03-F	
			15546									03-F	
			15548									03-F	
			15647									03-F	
			15984									03-F	
			15999									03-F	
			16724									03-F	
			16818									03-F	
			16819									03-F	
			16820									03-F	
			16821									03-F	
			16853									03-F	
			16949									03-F	
			16965									03-F	
			17958									03-F	
			19705									03-F	
			19706									03-F	
			19704									03-F	
			19837									03-F	
			77098									03-F	
			77175									03-F	
		S	AN3-6							5		04-A	
		S	AN310-3							5		04-A	
		S	AN380-2-2							5		29	
		S	AN970-3							5		04-A	
			D170450							1		01-H	
		S	D170449							1		01-H	
		S	AC365-1032							4		04-A	
		S	AN526-1032-7							4		29	
		S	D170451							1		01-H	
			D170452							1		01-H	
			D170452-2							1		01-H	
			D170452-4							1		01-H	
			D170453							1		01-H	
			D170453-2							1		01-H	
			AC366-F832							4		04-A	
			AC425AD3-4							8		29	
			D170454							1		01-H	
		S	AN526-832-6							4		29	
			D170455							2		01-H	
		S	AN430AD3-8							2		29	
		S	AN430AD3-10							2		29	
		S	D170456							1		01-H	

RESTRICTED

RESTRICTED

T. O. No. 01-900C-4

SECTION II—GROUP ASSEMBLY PARTS LISTS

FIG. NO.	INDEX NO.	SYMBOL	GROUP Equipment						UNITS PER ASSY	PROPERTY CLASSIFICATION				
			MAJOR ASSEMBLY Installation - Cabin Furnishings							U.S. NAVY	U.S. ARMY	BRITISH		
			PART NUMBER	1	2	3	4	5					6	NOMENCLATURE
36	12	S	68A7-82 (P)							2				
		S	AN526-832-7								2		29	
		S	D170457								1		01-H	
		S	D170461								1		01-H	
			D170461-2								1		01-H	
			D170461-4								1		01-H	
		S	AC365-832								10		04-A	
		S	AN515-8-10								4		29	
		S	AN515-8-12								4		29	
		S	AN515-8-20								2		29	
		S	AN960-8								10		04-A	
			D170458								1		01-H	
		S	D170459								1		01-H	
			D170459-2								1		01-H	
			D170459-4								9		01-H	
			D170459-6								3		01-H	
			D170459-8								3		01-H	
			D170459-10								3		01-H	
			D170459-12								3		01-H	
			D170459-14								1		01-H	
		S	AC224B5								3		29	
		S	6 (P)								7		04-A	
		S	AC365-632								7		04-A	
		S	632 x 1/2 (P)								7		04-A	
		S	100951-L-040-005-024								7		01-H	
		S	D173010								1		01-H	
		S	D173050								1		01-H	
		S	D173021 LH								1		01-H	
		S	D173021 RH								1		01-H	
		S	D173022								1		01-H	
		S	D173023								1		01-H	
		S	D173024 LH								1		01-H	
		S	D173024 RH								1		01-H	
		S	D173025								1		01-H	
			D173025-2								1		01-H	
			D173025-3								1		01-H	
S	D173026								1		01-H			
	D173026-2								1		01-H			
	D173026-3								1		01-H			
	D173026-4								1		01-H			
S	D173027								1		01-H			
	D173027-2								1		01-H			
	D173027-3								1		01-H			
S	D173027-1								1		01-H			
	D173027-2								1		01-H			
	D173027-3								1		01-H			
S	D173028								1		01-H			

RESTRICTED

T. O. No. 01-90CC-4

SECTION II—GROUP ASSEMBLY PARTS LISTS

FIG. NO.	INDEX NO.	STOCK REF.	GROUP Equipment						UNITS PER ASSY	PROPERTY CLASSIFICATION					
			MAJOR ASSEMBLY Installation - Cabin Furnishings							U.S. NAVY	U.S. ARMY	BRITISH			
			PART NUMBER	1	2	3	4	5					6	NOMENCLATURE	
36	9	S	D17309-2								1		01-H		
		S	D17309-4								1		01-H		
		S	D17309-5								1		01-H		
		S	D17309-6								1		01-H		
		S	D17309-7								1		01-H		
		S	AN345-10								26		29		
		S	AN510-10-8								26		29		
		S	AN935-10								26		29		
		S	D173090								1		01-H		
		S	D173095								1		01-H		
		S	D173094								4		01-H		
		S	D173094-2								1		01-H		
		S	AC225-1								1		29		
		S	AC225-11								4		29		
		S	AC365-832								4		04-A		
		S	AN960-8								4		04-A		
		S	36G2873								1		03-F		
		S	D173091								1		01-H		
11	4	S	D173092							1		01-H			
		S	D173093							1		01-H			
		S	D17310							1		01-H			
		S	D17310-2							1		01-H			
		S	D17310-3							1		01-H			
		S	D17310-4							1		01-H			
		S	D1730101-1							8		01-H			
		S	D173101-3							1		01-H			
		S	D173101-4							1		01-H			
		S	D173101-5							1		01-H			
		S	D173101-2							4		01-H			
		S	D173101-3							1		01-H			
		S	D173101-4							1		01-H			
		S	D173101-5							1		01-H			
		S	D173101-6							1		01-H			
		S	D173102							5		01-H			
		37	2	S	AN340-6							10		29	
				S	AN505-6-8							10		29	
S	D173103									7		01-H			
S	AN345-10									14		29			
S	AN520-10-10									14		29			
S	D173106									1		01-H			
S	D173107									1		01-H			
S	D173105									1		01-H			
S	D173160									1		01-H			
S	D173163									2		01-H			
S	AN526-832-12									4		29			
S	D173231									2		01-H			
S	D173310-1									1		01-H			
S	D173310-2									1		01-H			
S	D173310-3									1		01-H			

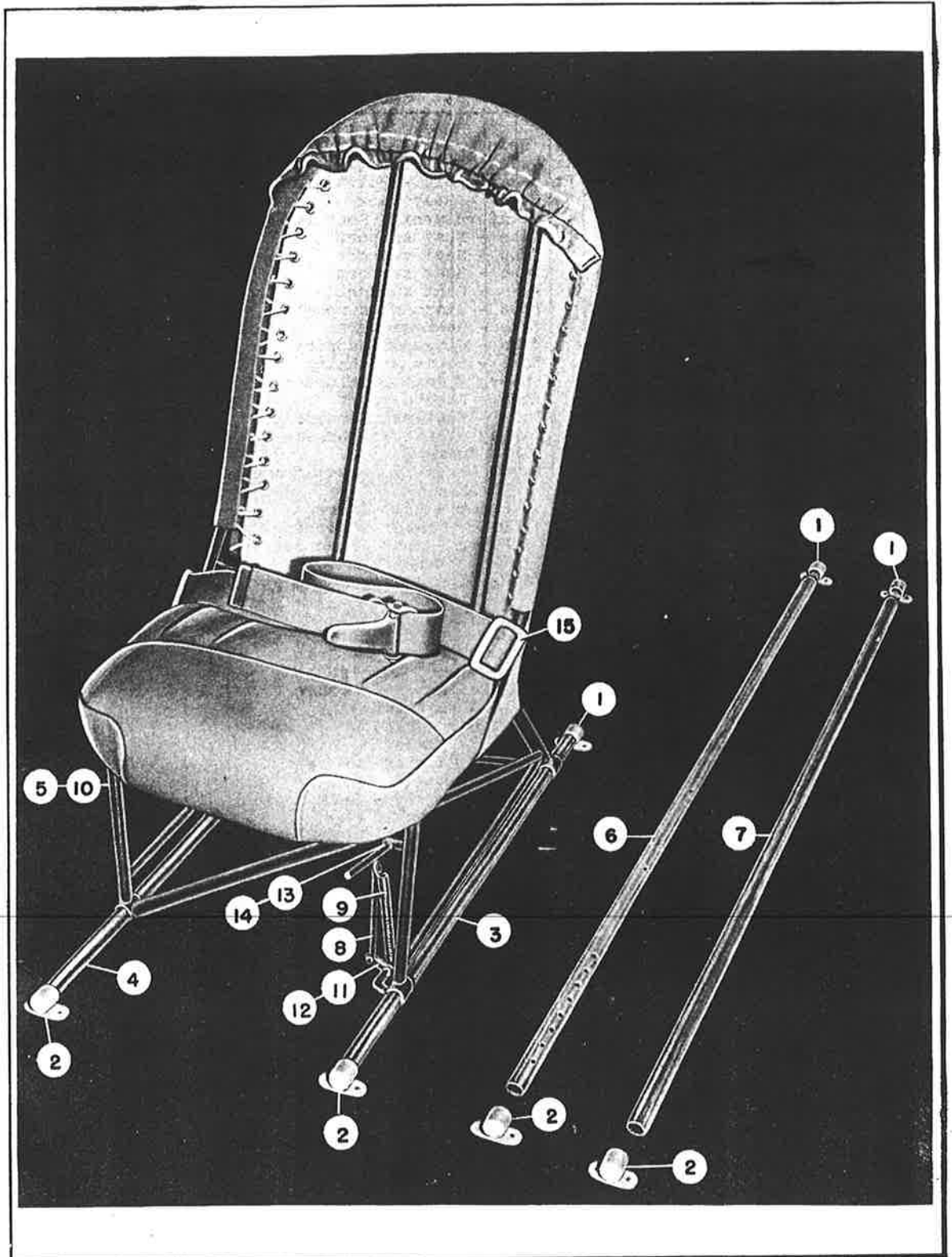


Figure 37 - Pilot's and Copilot's Chair Assembly

RESTRICTED
T. O. No. 01-90CC-4
SECTION II—GROUP ASSEMBLY PARTS LISTS

FIG. NO.	INDEX NO.	STOCKED	GROUP Equipment						UNITS PER ASSY	PROPERTY CLASSIFICATION					
			MAJOR ASSEMBLY Installation - Cabin Furnishings							U.S. NAVY	U.S. ARMY	BRITISH			
			PART NUMBER	1	2	3	4	5					6	NOMENCLATURE	
37 36	7 5	S	D173310-4							1		01-H			
		S	D173330							1		01-H			
	S	D173301-1								1		01-H			
										1		01-H			
										2		01-H			
										1		01-H			
										1		01-H			
										1		01-H			
										1		01-H			
										1		01-H			
										2		01-H			
										1		01-H			
										1		01-H			
										1		01-H			
										1		01-H			
	37	13	S	D173304 LH							1		01-H		
				D173304-1							1		01-H		
			D173304-2							1		01-H			
			D173307							1		01-H			
37	8	S	D173305							1		01-H			
			AN393-7							3		04-A			
			AN960-8							4		04-A			
			D173306							1		01-H			
			D173306-1							1		01-H			
			AN960-416							1		04-A			
			AN960-416							1		04-A			
			D173307							2		01-H			
		37	11		D173308 LH							1		01-H	
					D173308-1							1		01-H	
	D173308-2									1		01-H			
	D173309									4		01-H			
S	S-26-A17-B35									1					
S	S-24									1		01-H			
S	S-24									1		01-H			
	S-24-1									1		01-H			
	S-24-3									1		01-H			
	S-194									1		01-H			
	S-33									1		01-H			
37 36 36	9 10 6		S-135							1		01-H			
			D173312							1		01-H			
		S	D173333							1					
		S	No Number (P)							1					
			S-135							1		01-H			
			D173312							1		01-H			
			D173333							1					
			No Number (P)							1					
			S-135							1		01-H			
			D173312							1		01-H			
			D173333							1					
	No Number (P)							1							

RESTRICTED

RESTRICTED
T. O. No. 01-90CC-4
SECTION II—GROUP ASSEMBLY PARTS LISTS

FIG. NO.	INDEX NO.	STOCKED	GROUP Equipment						UNITS PER ASSY	PROPERTY CLASSIFICATION				
			MAJOR ASSEMBLY Installation - Cabin Furnishings							U.S. NAVY	U.S. ARMY	BRITISH		
			PART NUMBER	1	2	3	4	5					6	NOMENCLATURE
37	10	S	AN230-B-10							90		04-A		
		S	2-5918L (P)							1		03-F		
		S	D173335							1		01-H		
		S	I17303							1		01-H		
		S	D17502-4							3		01-H		
		S	AC0161366							1		03-F		
		S	AC365-632							3		04-A		
		S	AN515-6-16							3		29		
		S	AN960-8							3		04-A		
		S	D173301-2							1		01-H		
	S	D173301-3							1		01-H			
	S	D173301-4							2		01-H			
	S	D173301-6							1		01-H			
	S	D173301-8							1		01-H			
	S	D173301-10							1		01-H			
	S	D173301-12							1		01-H			
	S	D173301-14							1		01-H			
	S	D173301-16							2		01-H			
	S	D173301-18							1		01-H			
	S	D173301-19							2		01-H			
	S	D173301-21							1		01-H			
	S	D173301-25							1		01-H			
	S	D173301-26							1		01-H			
	S	D173303							1		01-H			
	37	14	S	D173304 RH							1		01-H	
			S	D173304-1							1		01-H	
			S	D173304-2							1		01-H	
S			D173307							1		01-H		
S			D173305							1		01-H		
S			AN393-7							3		04-A		
S			AN960-8							4		04-A		
S			D173306							1		01-H		
S			D173306-1							1		01-H		
S			AN960-416							1		04-A		
37	12	S	AN960-416							1		04-A		
		S	D173307							2		01-H		
37	15	S	D173308 RH							1		01-H		
		S	D173308-1							1		01-H		
		S	D173308-2							1		01-H		
		S	D173309							4		01-H		
		S	S-26-A17-B35							1		01-H		
		S	S-22							1		01-H		
		S	S-24							1		01-H		
		S	S-24-1							1		01-H		
		S	S-24-3							1		01-H		
		S	S-194							1		01-H		
37	15	S	S-33							1		04-A		
		S	AN3-27							1		04-A		
		S	AN315-3R							1		04-A		
		S	S-25							2		01-H		

RESTRICTED

RESTRICTED
T. O. No. 01-90CC-4
SECTION II—GROUP ASSEMBLY PARTS LISTS

FIG. NO.	INDEX NO.	STOCK REF.	GROUP Equipment						UNITS PER ASSY	PROPERTY CLASSIFICATION		
			MAJOR ASSEMBLY Installation - Cabin Furnishings							U.S. NAVY	U.S. ARMY	BRITISH
			PART NUMBER	1	2	3	4	5				
36	4	S	No Number (P)						Clip - Belt metal (Nicholas-Beazley)	3		No Part No.
		S	No Number (P)						Webbing - Safety belt (Russell)	1		No Part No.
		S	S-135						Spring - Seat latch	1		01-H
		S	D173312						Fairing - Seat back	1		01-H
		S	D173333						Pad - Front seat back	1		01-H
		S	No Number (P)						Parachute (Switlik)	1		
		S	AN230-B10						Grommet - Plain	90		29
		S	2-5918R (P)						Seat (U.S. Rubber Co.)	1		01-B
		S	D173405						Installation - Parachute support	1		03-F
		S	D173406						Support Assembly - Parachute connecting	2		01-H
		S	D173406-2						Support - Parachute connecting	1		01-H
		S	561-D-4 (P)						Clamp (Curtis)	2		01-C
		S	AN3-7						Bolt - Aircraft	2		01-A
		S	AN310-3						Nut - Aircraft castle	2		01-A
		S	AN380-2						Pin - Cotter	2		29
		S	D173407						Support Assembly - Parachute LH	1		01-H
		S	D173407-2						Tube - Support	1		01-H
		S	D173407-4						Tube - Support	1		01-H
		S	D173407-6						Tube - Support	1		01-H
		S	561-D-8 (P)						Clamp (Curtis)	2		01-C
		S	AN3-7						Bolt - Aircraft	1		01-A
		S	AN310-3						Nut - Aircraft castle	1		01-A
		S	AN380-2						Pin - Cotter	1		29
		S	D173407-1						Support Assembly - Parachute RH	1		01-H
		S	D173407-2						Tube - Support	1		01-H
		S	D173407-4						Tube - Support	1		01-H
		S	D173407-6						Tube - Support	1		01-H
		S	561-D-8 (P)						Clamp (Curtis)	2		01-C
		S	AN3-7						Bolt - Aircraft	1		01-A
		S	AN3-3						Nut - Aircraft castle	1		01-A
		S	AN380-2						Pin - Cotter	1		29
		S	D173408						Strap Assembly - Parachute front	2		01-H
		S	D173408-2						Webbing - Parachute front strap	1		01-H
		S	AC224-3						Stud	2		29
		S	AC224-4						Eyelet	2		29
		S	No Number (P) (3/4 inch)						End - Belt (Wichita Trunk Co.)	1		29
		S	D173409						Strap Assembly - Parachute rear	2		01-H
		S	D173409-2						Webbing - Parachute rear strap	1		01-H
		S	AC224-B1						Button	2		29
		S	AC224-2						Socket	2		29
S	No Number (P) (3/4 inch)						End - Belt (Wichita Trunk Co.)	1		29		
S	D173410						Installation - Rear seat	1		01-H		
S	D173415						Seat Assembly - Rear	1		01-H		
S	D173415-2						Cover - Seat	1		01-H		
S	D173415-3						Bottom - Seat	1		01-H		
S	D173415-4						Back - Seat	1		01-H		
S	D173415-5						Welt - Seat	1		01-H		
S	D173415-6						Filler - Welt	1		01-H		
S	D173415-7						Lacing - Seat	1		01-H		
S	D173415-8						Cover - Back	1		01-H		
S	D173403						Pad - Rear seat parachute back	1		01-H		
S	I173410						Hammock Assembly - Rear seat parachute type			01-H		

RESTRICTED

T. O. No. 01-9000-4

SECTION II—GROUP ASSEMBLY PARTS LISTS

FIG. NO.	INDEX NO.	STOCKED	GROUP Equipment						UNITS PER ASSY	PROPERTY CLASSIFICATION					
			MAJOR ASSEMBLY Installation - Cabin Furnishings							U.S. NAVY	U.S. ARMY	BRITISH			
			PART NUMBER	1	2	3	4	5					6	NOMENCLATURE	
36	11	S	I173410-1							Hammock Assembly - Rear seat	2		01-H		
			I173410-2								Support - Seat	1		01-H	
			I173410-3								Bracket - Hammock	1		01-H	
			AN455AD3-4								Rivet - Brazier head	85		29	
			I173410-4								Angle - Hammock attaching	1		01-H	
			I173410-5								Strip - Attaching			01-H	
			I173410-6								Cover - Hammock canvas	1		01-H	
			I173410-7								Tape - Connecting	1		01-H	
			D173410-1								Tube - Hammock support	1		01-H	
			D173411								Retainer Assembly - Rear seat	2		01-H	
			D173411-2								Reinforcement - Retainer	2		01-H	
			D173411-3								Cord - Retainer	1		01-H	
			AN230-B-10								Grommet - Plain	92		29	
			AC365-632								Nut - Self-locking	4		04-A	
			AN515-6-8								Screw - Round head	4		29	
			AN960-6								Washer - Plain	4		04-A	
			D173419								Pad - Rear seat bottom	1		01-H	
			315 (P)								Pad (Firestone)			03-F	
			AC224-1								Button	5		29	
			AC224-2								Socket	5		29	
			AN230-B-10								Grommet - Plain	12		29	
			D173417								Pad Assembly - Rear seat parachute	2		01-H	
			D173418								Pad Assembly - Rear seat parachute	1		01-H	
			D173418-2								Back - Parachute pad	1		01-H	
			D173418-3								Sack - Parachute pad	1		01-H	
			D173418-4								Cover - Pad front	1		01-H	
			D173418-7								Padding - Parachute pad	1		01-H	
			D173418-8 LH								Cover - Rear side LH	1		01-H	
			D173418-8 RH								Cover - Rear side RH	1		01-H	
			D173418-9 LH								Cover - Rear end LH	1		01-H	
			D173418-9 RH								Cover - Rear end RH	1		01-H	
			D173418-10								Strip - Attaching	2		01-H	
			AN230-B10								Grommet - Plain	18		29	
			No Number (P)								Lacing - Pad (Uniform Hood)			No Part No.	
			No Number (P)								Parachute (Switlik)	1		No Part No.	
			S-26-A23-B40								Belt Assembly - Single safety	3		01-H	
S-22								Tag - Identification	1		01-H				
S-24								Buckle Assembly - Safety belt	1		01-H				
S-24-1								Buckle - Belt	1		01-H				
S-24-3								Release - Safety belt	1		01-H				
S-194								Release - Safety belt	1		01-H				
S-33								Spring - Safety buckle	1		01-H				
AN3-27								Bolt - Aircraft	1		04-A				
AN315-3R								Nut - Aircraft plain	1		04-A				
S-25								Adjuster - Safety belt	2		04-A				
No Number (P)								Clip - Belt metal (Nicholas-Beazley)	3		01-H				
No Number (P)								Webbing - Safety belt (Russell)	1		No Part No.				
AC224-3								Stud	5		29				
AN545-6-5								Screw - Round-head	5		29				
D173540								Frame - Control column boot	1		01-H				
D173550								Boot Assembly - Control column	1		01-H				
D173550-2								Cover - Boot	1		01-H				
D173550-3								Boot - Control column	1		01-H				
D17360 LH								Lift Assembly - Side window LH	1		01-H				

RESTRICTED
T. O. No. 01-9000-4
SECTION II—GROUP ASSEMBLY PARTS LISTS

FIG. NO.	INDEX NO.	STOCKED	GROUP Equipment							UNITS PER ASSY	PROPERTY CLASSIFICATION		
			MAJOR ASSEMBLY Installation - Cabin Furnishings								U.S. NAVY	U.S. ARMY	BRITISH
			PART NUMBER	1	2	3	4	5	6				
			D17360-1 LH							1		01-H	
		S	3441 (P)							1		03-F	
		S	AN3-16							1		04-A	
		S	AN310-3							1		04-A	
		S	AN340-10							1		29	
		S	AC365-632							1		04-A	
		S	AC365-1032							1		04-A	
		S	AN380-2-2							1		29	
		S	AN505-6-16							1		29	
		S	AN520-10-8							1		29	
		S	AN520-10-16							1		29	
		S	AN935-6							1		29	
		S	AN935-10							1		29	
			D17360-2							1		01-H	
			2674 (P)							1		29	
			D17260-3 LH							1		01-H	
			207 (P)							1		29	
			D17260-4							1		01-H	
		S	AN380-2-2							1		29	
		S	AN393-11							1		04-A	
		S	D17260-5							1		01-H	
			D17260-7							1		01-H	
			561-D-9 (P)							1		01-C	
		S	AN340-6							1		29	
		S	AN505-6-8							1		29	
		S	AN935-6							1		29	
		S	D17360-8							1		01-H	
		S	121838 (P)							1		29	
		S	142012 (P)							1		29	
		S	D17360 RH							1		01-H	
		S	D17360-1 RH							1		01-H	
			3440 (P)							1		03-F	
		S	AN3-16							1		04-A	
		S	AN310-3							1		04-A	
		S	AN340-10							1		29	
		S	AC365-632							1		04-A	
		S	AC365-1032							1		04-A	
		S	AN380-2-2							1		29	
		S	AN505-6-16							1		29	
		S	AN520-10-8							1		29	
		S	AN520-10-16							1		29	
		S	AN935-6							1		29	
		S	AN935-10							1		29	
			D17360-2							1		01-H	
			2674 (P)							1		29	
			D17360-3 RH							1		01-H	
			206							1		03-F	
			D17360-4							1		01-H	
		S	AN380-2-2							1		29	
		S	AN393-11							1		29	
			D17360-5							1		01-H	
			D17360-7							1		01-H	
			561-D-9 (P)							1		01-C	
		S	AN340-6							1		29	
		S	AN505-6-8							1		29	
		S	AN935-6							1		29	
		S	D17360-8							1		01-H	
		S	121838 (P)							1		29	
		S	142012 (P)							1		29	
		S	D17371							1		01-H	
		S	D17371-1							1		01-H	
		S	D17371-2							1		01-H	

RESTRICTED
T. O. No. 01-900C-4
SECTION II—GROUP ASSEMBLY PARTS LISTS

FIG. NO.	INDEX NO.	SPECIFIED	GROUP Equipment						UNITS PER ASSY	PROPERTY CLASSIFICATION			
			MAJOR ASSEMBLY Installation - Cabin Furnishings							U.S. NAVY	U.S. ARMY	BRITISH	
			PART NUMBER	1	2	3	4	5					6
		S	D17371-3						Holder - Cord	1		01-H	
		S	D17371-7						Cord Assembly - Assist	1		01-H	
		S	D17371-4						Cover - Cord	1		01-H	
		S	D17371-5						Cover - Cord	1		01-H	
		S	D17371-6						Cord - Assist	1		01-H	
		S	3/8 x 3/16 (P)						Screw - Male (American)	2		29	
		S	3/8 x 3/16 (P)						Screw - Female (American)	2		29	
		S	D173750						Cover - Cabin filler neck	1		01-H	
		S	D173880						Installation - Compass	1		01-H	
		S	D173890						Bracket Assembly - Standard compass	1		01-H	
		S	D173890-2 LH						Web - Bracket LH	1		01-H	
		S	D173890-2 RH						Web - Bracket RH	1		01-H	
		S	D173891						Bracket - Standard compass	1		01-H	
		S	AN340B6						Nut - Machine screw hexagon	4		29	
		S	AN515B6-14						Screw - Round-head	2		29	
		S	AN960B6						Washer - Plain	2		01-A	
		S	632 x 5/8 (P)						Screw (Reed And Prince)	4		29	
		S	1818-3-A (P)						Compass (Pioneer)	1		05-C	
		S	PB-14134 (P)						Lamp Assembly (R-3)(Pioneer)	2		05-E	
		S	PB-14404 (P)						Bulb And Contact Assembly (Pioneer)	1		05-E	
		S	PB-14402-2 (P)						Base Assembly - Bulb (Pioneer)	1		05-E	
		S	PB-18031 (P)						Lock Washer (Pioneer)	1		05-E	
		S	PC-6280-1 (P)						Compensator Assembly (Pioneer)	1		05-E	
		S	PB-17151-1 (P)						Card Assembly (Pioneer)	1			
		S	PB-17116 (P)						Float And Pivot Assembly (Pioneer)	1		05-E	
		S	PB-17484 (P)						Float Assembly (Pioneer)	1		05-E	
		S	PB-14007 (P)						Pivot (Pioneer)	1		05-E	
		S	PB-23352-1 (P)						Card Pioneer	1		05-E	
		S	ACC-38 (P)						Rivet - Tubular (Pioneer)	4			
		S	PB-17126 (P)						Post Assembly - Jewel (Pioneer)	1		05-E	
		S	PB-14155-2 (P)						Bowl And Stopnut Assembly (Pioneer)	1		05-E	
		S	O-247-10 (P)						Nut - Stop (Pioneer)	4		05-E	
		S	PE-19077-1 (P)						Bowl Pioneer	1		05-E	
		S	PB-14031 (P)						Insert - Filling hole (Pioneer)	1		05-E	
		S	PB-14005 (P)						Seal - Lead (Pioneer)	1		05-E	
		S	PB-6724-1 (P)						Screw - Bezel (Pioneer)	8		05-E	
		S	PB-6724-2 (P)						Screw - Bezel (Pioneer)	2		05-E	
		S	PC-19085-1 (P)						Bezel (Pioneer)	1		05-E	
		S	PB-19442-1 (P)						Lens - Compass (Pioneer)	1		05-E	
		S	PC-6199-5 (P)						Gasket - Lens (Pioneer)	1		05-E	
		S	PC-25252-1 (P)						Diaphragm (Pioneer)	1		05-E	
		S	PC-14144 (P)						Cover - Back (Pioneer)	1		05-E	
		S	PB-14152 (P)						Gasket (Pioneer)	1		05-E	
		S	PB-14177 (P)						Gasket - Bowl (Pioneer)	1		05-E	
		S	PB-19078-1 (P)						Line - Lubber (Pioneer)	1		05-E	
		S	PB-17118 (P)						Ring - Retainer (Pioneer)	1		05-E	
		S	PB-17119 (P)						Support - Jewel post (Pioneer)	1		05-E	
		S	PB-24106-1 (P)						Spring - Jewel post (Pioneer)	1		05-E	
		S	56-74 (P)						Washer (Pioneer)	2		05-E	
		S	356B-57 (P)						Cap - Filling hole (Pioneer)	1		05-E	
		S	PB-11311 (P)						Shim (Pioneer)	1		05-E	
		S	PB-50326-1 (P)						Screw - Jewel post (Pioneer)	1		05-E	

RESTRICTED