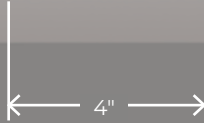


AERA 4" DOWNLIGHT

ROUND RECESSED ADJUSTABLE



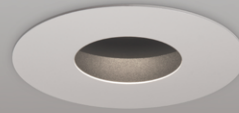
Bevel Trimless
Drywall Mudplate



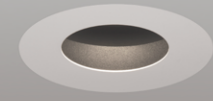
Bevel
Flanged Trim



Pinhole
Flanged Trim



Pinhole Trimless
Drywall Mudplate



Aera recessed downlights are true to size, encased in minimalist housing, and suitable additions to any interior space where outstanding optical performance, maximal eye comfort, and/or an industry-leading wall wash are required.

Ceiling Types



Drywall



Millwork



Acoustic Tile

Installation Types

New Construction (Type Non-IC, Type-IC, CCEA)

Remodel (Type Non-IC)

Plenum Clearance

As low
as 6"



Certifications



Some restrictions may apply.



Beam Angles



15° 25° 35° 50° 80° 90°
Low UGR < 10 in 15°, 25°, 35°, and 50° beams / Max. tilt 35°

Performance

LUMEN OUTPUT ¹	WATTS	EFFICACY
1298 lm	14 W	93 lm/W
1861 lm	20 W	93 lm/W
2498 lm	28 W	89 lm/W

¹ Lumen packages are assuming 3500K, 80 CRI, 35° beam, with SDL lens option.

Light Source

Static White
Full Spectrum
SOLA - Dim-to-Warm
DUO - Tunable White



COB

2 Step Color Binning
Up to 95 CRI

Drivers

1%, 0.1% Dimming Available
0-10V, TRIAC, ELV, Lutron EcoSystem, DALI, DMX
Emergency Battery (optional)

Aera Family (Refer to other spec sheets) Downlight



2" / 3" / 4"
Round / Square
Recessed Adjustable



2" / 3" / 4"
Round / Square
Recessed



2" / 3" / 4"
Round / Square
Recessed Wall Wash

Multi-aperture



2" / 3" / 4"
Round / Square
Recessed Adjustable



2" / 3" / 4"
Round / Square
Recessed



2" / 3" / 4"
Round / Square
Recessed Wall Wash

Cylinder



2" / 3" / 4" / 5"
4" Seal
Pendant
Pendant Asymmetric
Pendant Wall Wash



2" / 3" / 4" / 5"
4" Seal
Wall
Wall Asymmetric



2" / 3" / 4" / 5"
4" Seal
Surface
Surface Asymmetric
Surface Wall Wash

AERA 4" DOWNLIGHT

ROUND RECESSED ADJUSTABLE



Project: _____

Type: _____

Order Guide

1 - Housing (Example: AE4RRA-TRM-SW-OF-ASB-120V-14W-D1-NA)



For an ENERGY STAR® certified fixture, see page 3.
For a Title 24 JA8 compliant fixture, see page 4.

LUMINAIRE ID ¹	TRIM STYLE	LIGHT SOURCE	INSTALLATION TYPE	MOUNTING OPTION ⁴
AE4RRA				
AE4RRA - Aera 4" Round Recessed Adjustable ¹ Recessed (fixed) and Recessed Wall Wash also available. Consult other spec sheets.	TRM - Flanged trim TLMP - Trimless drywall mudplate TLMW ² - Trimless millwork ² For remodel (RM) installation type, TLMW adapter must be installed from above the ceiling or before ceiling is installed.	SW - Static white FS - Full spectrum SOLA - Dim-to-warm single channel control DUO - Tunable white 2-channel control	OF - Open Frame Type Non-IC IC ³ - Type-IC RM - Remodel Type Non-IC CP ³ - Chicago Plenum Type-IC (CCEA) AT ³ - Airtight Type-IC ³ Not available with 28 W output and higher.	ASB ⁵ - Adjustable standard bar hangers FMB ⁵ - Flush mount bars ACB ⁵ - Adjustable commercial bar hangers AHC ⁵ - Adjustable hat channel bars NA - None ⁴ See page 6 for more details. ⁵ Not available with RM installation type.

VOLTAGE	WATTAGE ⁷	DIMMING ¹⁰	INSTALLATION TYPE	OPTION ²¹
				NA
120V - 120V 277V - 277V UNV - 120V-277V 347V ⁶ - 347V ⁶ Available with RDI driver only. Please consult factory.	14W - 14 W output, up to 1348 lm 20W - 20 W output, up to 1932 lm 28W ^{8,9} - 28 W output, up to 2594 lm ⁷ Lumen outputs are reduced with full spectrum, consult factory. ⁸ Not available with IC/CP/AT. ⁹ Not available with full spectrum. SOLA ⁸ 28W - 28 W output, up to 1945 lm DUO ⁸ 28W - 28 W output, up to 2055 lm	INTEGRAL D1 - 1% 0-10V ELV ¹¹ - ELV 120V TRI ¹¹ - TRIAC 120V LDEI ^{12,13} - Lutron Hi-lume 1% Eco DA ^{12,13} - DALI ELD1 ¹² - eldoLED 1% ECOdrive 0-10V ELDO ¹² - eldoLED 0.1% SOLOdrive 0-10V PEQO ^{13,14,15} - Lutron Hi-lume Premier 0.1% EcoSystem DEB ¹⁵ - 0-10V with onboard emergency battery backup ¹⁰ PoE (Power-over-Ethernet) compatible. Consult factory for details. ¹¹ Available with 120V only. ¹² Not available with RM installation type. ¹³ On-site commissioning is required. ¹⁴ Not available with 28 W output. ¹⁵ Available with OF housing only.	REMOTE ¹⁶ RDI - 1% 0-10V RELV ¹⁷ - ELV 120V RTRI ¹⁷ - TRIAC 120V RLDEI ¹⁸ - Lutron Hi-lume 1% Eco RDA ¹⁸ - DALI RELD1 - eldoLED 1% ECOdrive 0-10V RELDO - eldoLED 0.1% SOLOdrive 0-10V RPEQO ^{18,19} - Lutron Hi-lume Premier 0.1% EcoSystem +EB ²⁰ - Emergency battery ¹⁶ A remote driver box is provided, see page 5 for details. ¹⁷ Available with 120V only. ¹⁸ On-site commissioning is required. ¹⁹ Not available with 28 W output. ²⁰ For emergency battery, code will be like the following example: RDI+EB	NA - None ²¹ To specify an ENERGY STAR certified fixture, see page 3. To specify a JA8 compliant fixture, see page 4.
		SOLA SD1 - Single 0-10V input SELV ¹¹ - ELV 120V STRI ¹¹ - TRIAC 120V	DUO DMX ¹⁸ - DMX input RDDA ¹⁸ - DALI DT6 RDDA8 ¹⁸ - DALI DT8 RDD1 - Dual 0-10V input for CCT/intensity RPSQO ¹⁸ - Lutron T-Series 1% tunable white	

2 - Light & Baffle (Example: AE4RRAB-SW-14W-15DEG-2STP-90CRI-27K-LSDL+LS-TRM-CL-FTMW-FTMW-NA)

LUMINAIRE ID	LIGHT SOURCE Specify same as Housing	WATTAGE ²² Specify same as Housing	BEAM	COLOR QUALITY	CRI	COLOR TEMP.
AE4RRAB - Aera 4" Round Recessed Adjustable Bevel AE4RRAP - Aera 4" Round Recessed Adjustable Pinhole	SW - Static white FS - Full spectrum SOLA - Dim-to-warm single channel control DUO - Tunable white 2-channel control	14W - 14 W output, up to 1348 lm 20W - 20 W output, up to 1932 lm 28W ^{23,24} - 28 W output, up to 2594 lm ²² Lumen outputs are reduced with full spectrum, consult factory. ²³ Not available with IC/CP/AT. ²⁴ Not available with full spectrum. SOLA ²³ 28W - 28 W output, up to 1945 lm DUO ²³ 28W - 28 W output, up to 2055 lm	15DEG - 15° Narrow spot 25DEG - 25° Spot 35DEG - 35° Narrow flood 50DEG - 50° Wide flood 80DEG - 80° Very wide flood 90DEG - 90° Open flood ²⁵ Not available with full spectrum.	2STP ²⁵ - 2 Step MacAdam Ellipse 3STP - 3 Step MacAdam Ellipse ²⁵ Not available with full spectrum.	90CRI ²⁶ - 90 CRI 95CRI - 95 CRI 80CRI ²⁶ - 80 CRI ²⁶ Not available with full spectrum.	27K - 2700K 30K - 3000K 35K - 3500K 40K - 4000K SOLA 30K18K - 3000K to 1800K 27K18K - 2700K to 1800K DUO 65K27K - 6500K to 2700K 50K27K - 5000K to 2700K

ACCESSORIES [*] See page 7 for details	TRIM STYLE Specify same as Housing	LENS [*] See page 7 for details	BAFFLE FINISH Specify NA for Pinhole	TRIM FLANGE FINISH ³⁰ Specify NA for Bevel Trimless	OPTION ³¹
At light element ^{27,28} (choose up to 2 options for SW/FS and 1 option for SOLA/DUO) LSDL - Soft diffused lens, Solite LFDL - Frosted diffused lens LS - Linear spread NA - None ²⁷ Separate codes with a "*" if more than one is specified, e.g. LSDL+LS. ²⁸ LSDL and LFDL cannot be combined.	TRM - Flanged trim TLMP - Trimless drywall mudplate TLMW ²⁹ - Trimless millwork ²⁹ For remodel (RM) installation type, TLMW adapter must be installed from above the ceiling or before ceiling is installed.	At baffle (choose 1 option) Specify NOL for Pinhole SDL - Soft diffused lens, Solite FDL - Frosted diffused lens CL - Clear lens NOL - No lens	FTMW - Textured matte white FTMB - Textured matte black FSPC - Specular FSSPC - Semi-specular FCHP - Champagne CF# - Custom finish, specify RAL# NA - Not applicable	FTMW - Textured matte white FTMB - Textured matte black FSPC - Specular FSSPC - Semi-specular FCHP - Champagne CF# - Custom finish, specify RAL# NA - Not applicable ³⁰ A trim flange finish option must be specified for pinhole. See page 7 for details.	WET ³² - Wet location NA - None ³¹ To specify an ENERGY STAR certified fixture, see page 3. To specify a JA8 compliant fixture, see page 4. ³² Must be specified with the bevel (AE4RRAB), flanged trim (TRM), and either SDL, FDL, or CL lens options.

* LSDL or LFDL at light element cannot be combined with SDL or FDL at baffle.



AERA 4" DOWNLIGHT

ROUND RECESSED ADJUSTABLE
ENERGY STAR



Project: _____

Type: _____

Order Guide



1 - Housing (Example: AE4RRA-TRM-SW-OF-ASB-120V-14W-D1-ES)

LUMINAIRE ID ¹	TRIM STYLE	LIGHT SOURCE	INSTALLATION TYPE	MOUNTING OPTION ²
AE4RRA		SW		
AE4RRA - Aera 4" Round Recessed Adjustable ¹ Recessed (fixed) and Recessed Wall Wash also available. Consult other spec sheets.	TRM - Flanged trim TLMP - Trimless drywall mudplate TLMW - Trimless millwork	SW - Static white	OF - Open Frame Type Non-IC IC - Type-IC RM - Remodel Type Non-IC CP - Chicago Plenum Type-IC (CCEA) AT - Airtight Type-IC	ASB - Adjustable standard bar hangers FMB - Flush mount bars ACB - Adjustable commercial bar hangers AHC - Adjustable hat channel bars NA - None ² See page 6 for more details.

VOLTAGE	WATTAGE	DIMMING		OPTION
	14W			ES
120V - 120V 277V - 277V UNV - 120V-277V	14W - 14 W output, up to 1348 lm	INTEGRAL D1 - 1% 0-10V ELV³ - ELV 120V TRI³ - TRIAC 120V ³ Available with 120V only.	REMOTE⁴ RDI - 1% 0-10V RELV⁵ - ELV 120V RTRI⁵ - TRIAC 120V RLDE1⁶ - Lutron Hi-lume 1% Eco ⁴ A remote driver box is provided, see page 5 for details. ⁵ Available with 120V only. ⁶ On-site commissioning is required.	ES - ENERGY STAR

2 - Light & Baffle (Example: AE4RRAB-SW-14W-15DEG-2STP-90CRI-27K-NA-TRM-SDL-FTMW-FTMW-ES)

LUMINAIRE ID	LIGHT SOURCE Specify same as Housing	WATTAGE Specify same as Housing	BEAM	COLOR QUALITY	CRI	COLOR TEMP.
	SW	14W		2STP		
AE4RRAB - Aera 4" Round Recessed Adjustable Bevel AE4RRAP - Aera 4" Round Recessed Adjustable Pinhole	SW - Static white	14W - 14 W output, up to 1348 lm	15DEG - 15° Narrow spot 25DEG - 25° Spot 35DEG - 35° Narrow flood 50DEG - 50° Wide flood 80DEG - 80° Very wide flood 90DEG - 90° Open flood	2STP - 2 Step MacAdam Ellipse	90CRI - 90 CRI 80CRI - 80 CRI	27K - 2700K 30K - 3000K 35K - 3500K 40K - 4000K

ACCESSORY	TRIM STYLE Specify same as Housing	LENS See page 7 for details	BAFFLE FINISH Specify NA for Pinhole	TRIM FLANGE FINISH ⁷ Specify NA for Bevel Trimless	OPTIONS
NA					ES
At light element NA - Not applicable	TRM - Flanged trim TLMP - Trimless drywall mudplate TLMW - Trimless millwork	At baffle Specify NOL for Pinhole SDL - Soft diffused lens, Solite FDL - Frosted diffused lens CL - Clear lens NOL - No lens	FTMW - Textured matte white FTMB - Textured matte black FSPC - Specular FSSPC - Semi-specular FCHP - Champagne CF# - Custom finish, specify RAL# NA - Not applicable	FTMW - Textured matte white FTMB - Textured matte black FSPC - Specular FSSPC - Semi-specular FCHP - Champagne CF# - Custom finish, specify RAL# NA - Not applicable ⁷ A trim flange finish option must be specified for pinhole. See page 7 for details.	ES - ENERGY STAR WET^{8,9} - Wet location ⁸ Must be specified with the bevel (AE4RRAB), flanged trim (TRM), and either SDL, FDL, or CL lens options. ⁹ To specify the WET option, the code will be ES+WET.



AERA 4" DOWNLIGHT

ROUND RECESSED ADJUSTABLE

Title 24 JA8

Order Guide



Project: _____

Type: _____



1 - Housing (Example: AE4RRA-TRM-SW-AT-ASB-120V-14W-D1-JA8)

LUMINAIRE ID ¹	TRIM STYLE	LIGHT SOURCE	INSTALLATION TYPE	MOUNTING OPTION ²
AE4RRA		SW	AT	
AE4RRA - Aera 4" Round Recessed Adjustable ¹ Recessed (fixed) and Recessed Wall Wash also available. Consult other spec sheets.	TRM - Flanged trim TLMP - Trimless drywall mudplate TLMW - Trimless millwork	SW - Static white	AT - Airtight Type-IC	ASB - Adjustable standard bar hangers FMB - Flush mount bars ACB - Adjustable commercial bar hangers AHC - Adjustable hat channel bars NA - None ² See page 6 for more details.

VOLTAGE	WATTAGE	DIMMING		OPTION
	14W			JA8
120V - 120V 277V - 277V UNV - 120V-277V	14W - 14 W output, up to 1348 lm	INTEGRAL D1 - 1% 0-10V ELV ³ - ELV 120V TRI ³ - TRIAC 120V LDE1 ⁴ - Lutron Hi-lume 1% Eco ³ Available with 120V only. ⁴ On-site commissioning is required.	REMOTE ⁵ RDI - 1% 0-10V RELV ⁶ - ELV 120V RTRI ⁶ - TRIAC 120V RLDE1 ⁷ - Lutron Hi-lume 1% Eco ⁵ A remote driver box is provided, see page 5 for details. ⁶ Available with 120V only. ⁷ On-site commissioning is required.	JA8 - JA8 compliant

2 - Light & Baffle (Example: AE4RRAB-SW-14W-15DEG-2STP-90CRI-27K-NA-TRM-SDL-FTMW-FTMW-JA8+WET)

LUMINAIRE ID	LIGHT SOURCE Specify same as Housing	WATTAGE Specify same as Housing	BEAM	COLOR QUALITY	CRI	COLOR TEMP.
	SW	14W			90CRI	
AE4RRAB - Aera 4" Round Recessed Adjustable Bevel AE4RRAP - Aera 4" Round Recessed Adjustable Pinhole	SW - Static white	14W - 14 W output, up to 1348 lm	15DEG - 15° Narrow spot 25DEG - 25° Spot 35DEG - 35° Narrow flood 50DEG - 50° Wide flood 80DEG - 80° Very wide flood 90DEG - 90° Open flood	2STP - 2 Step MacAdam Ellipse 3STP - 3 Step MacAdam Ellipse	90CRI - 90 CRI	27K - 2700K 30K - 3000K 35K - 3500K 40K - 4000K

ACCESSORY * See page 7 for details	TRIM STYLE Specify same as Housing	LENS * See page 7 for details	BAFFLE FINISH Specify NA for Pinhole	TRIM FLANGE FINISH ⁸ Specify NA for Bevel Trimless	OPTIONS
					JA8
At light element LSDL - Soft diffused lens, Solite LFDL - Frosted diffused lens NA - None	TRM - Flanged trim TLMP - Trimless drywall mudplate TLMW - Trimless millwork	At baffle Specify NOL for Pinhole SDL - Soft diffused lens, Solite FDL - Frosted diffused lens CL - Clear lens NOL - No lens	FTMW - Textured matte white FTMB - Textured matte black FSPC - Specular FSSPC - Semi-specular FCHP - Champagne CF# - Custom finish, specify RAL# NA - Not applicable	FTMW - Textured matte white FTMB - Textured matte black FSPC - Specular FSSPC - Semi-specular FCHP - Champagne CF# - Custom finish, specify RAL# NA - Not applicable ⁸ A trim flange finish option must be specified for pinhole. See page 7 for details.	JA8 - JA8 compliant WET ^{9,10} - Wet location ⁹ Must be specified with the bevel (AE4RRAB), flanged trim (TRM), and either SDL, FDL, or CL lens options. ¹⁰ To specify the WET option, the code will be JA8+WET.

* LSDL or LFDL at light element cannot be combined with SDL or FDL at baffle.



AERA 4" DOWNLIGHT

ROUND RECESSED ADJUSTABLE

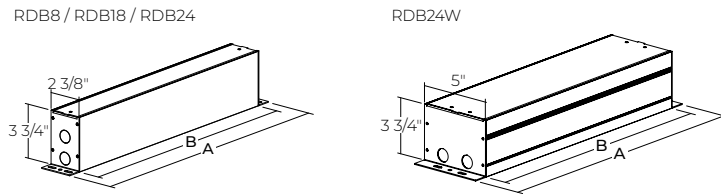


Housing

INSTALLATION TYPES		
OF - Open Frame Type Non-IC	IC - Type-IC	CP - Chicago Plenum Type-IC (CCEA) AT - Airtight Type-IC
RM - Remodel Type Non-IC		
Integral	Remote	

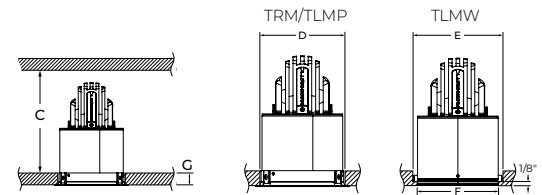
- For height dimension C, see the PLENUM CLEARANCE & CUT-OUT DIMENSIONS table below.
 - For OF, IC, CP, and AT installation types with remote dimming, a remote driver box is provided.

REMOTE DRIVER BOX



	RDB8	RDB18	RDB24	RDB24W
A	10"	20"	26"	26"
B	8"	18"	24"	24"
DRIVER	RD1 - 1% 0-10V RELV - ELV 120V RTRI - TRIAC 120V RPEQ0 - Lutron Hi-lume Premier 0.1% EcoSystem SOLA RSD1 - Single 0-10V input RSELV - ELV 120V RSTRI - TRIAC 120V	RLDE1 - Lutron Hi-lume 1% Eco RDA - DALI RELD1 - eldoLED 1% ECOdrive 0-10V RELD0 - eldoLED 0.1% SOLOdrive 0-10V	Emergency battery (+EB) with the following driver options. RD1+EB - 1% 0-10V RELV+EB - ELV 120V RTRI+EB - TRIAC 120V DJQ RDMX - DMX RDDA - DALI DT6 RDDA8 - DALI DT8 RDD1 - Dual 0-10V input for CCT/intensity RPSQ0 - Lutron T-Series 1% tunable white	Emergency battery (+EB) with the following driver options. RLDE1+EB - Lutron Hi-lume 1% Eco RDA+EB - DALI RELD1+EB - eldoLED 1% ECOdrive 0-10V RELD0+EB - eldoLED 0.1% SOLOdrive 0-10V

PLENUM CLEARANCE & CUT-OUT DIMENSIONS



		PLENUM CLEARANCE HEIGHT	
		REMOTE & INTEGRAL	
		D1/ELV/TRI	LDE1/DA/ELD1/ELD0/PEQ0
C	OF	6 3/8"	6"
	IC	6 3/8"	
	CP/AT	6 7/8"	
	RM	6 3/8"	NA
CUT-OUT DIMENSIONS			
D	TRM/TLMP	Ø 4 1/2"	
E	TLMW	Ø 4 1/2"	
F		Ø 4 1/16" with 1/8" lip	
MAXIMUM CEILING THICKNESS			
G	TRM/ TLMP	1 1/2"	
	TLMW	5/8"	

AERA 4" DOWNLIGHT

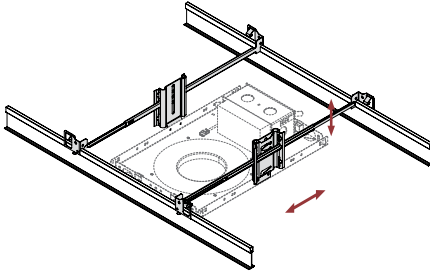
ROUND RECESSED ADJUSTABLE



Housing

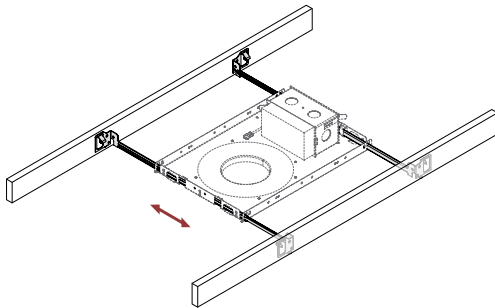
MOUNTING OPTIONS

ASB - Adjustable Standard Bar Hangers



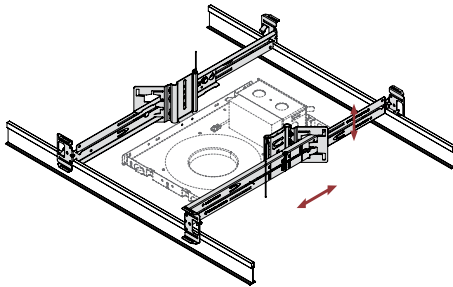
Adjustable Standard Bar hangers can be used in both commercial and residential applications and are adjustable to various heights in both Grid Ceiling and Drywall mounting. ASB hangers are less rigid and versatile than ACB hangers.

FMB - Flush Mount Bars



Flush Mount Bars are best used in residential applications, fitting snug to the surface and suitable for Wood, Metal, and Drywall mounting. The flush mounted bars are static and can't be adjusted.

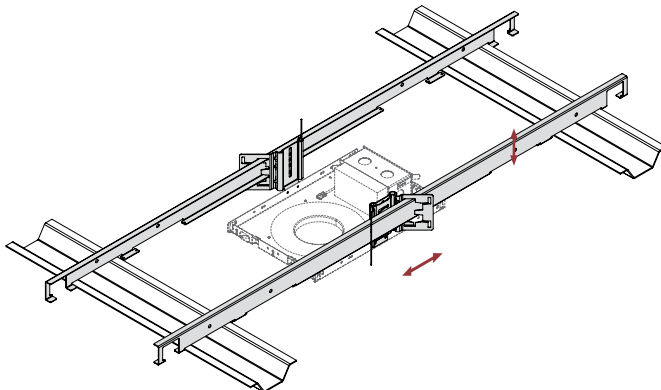
ACB - Adjustable Commercial Bar Hangers



Adjustable Commercial Bar hangers can be used in both commercial and residential applications and are by far the most versatile mounting bar we offer with its adjustability to various heights. ACB hangers are suitable for Grid Ceiling, Drywall, Metal, Wood and Frame mounting.

- Extremely rigid
- Fits into C-Channel notches in a Butterfly Bracket

AHC - Adjustable Hat Channel Bars



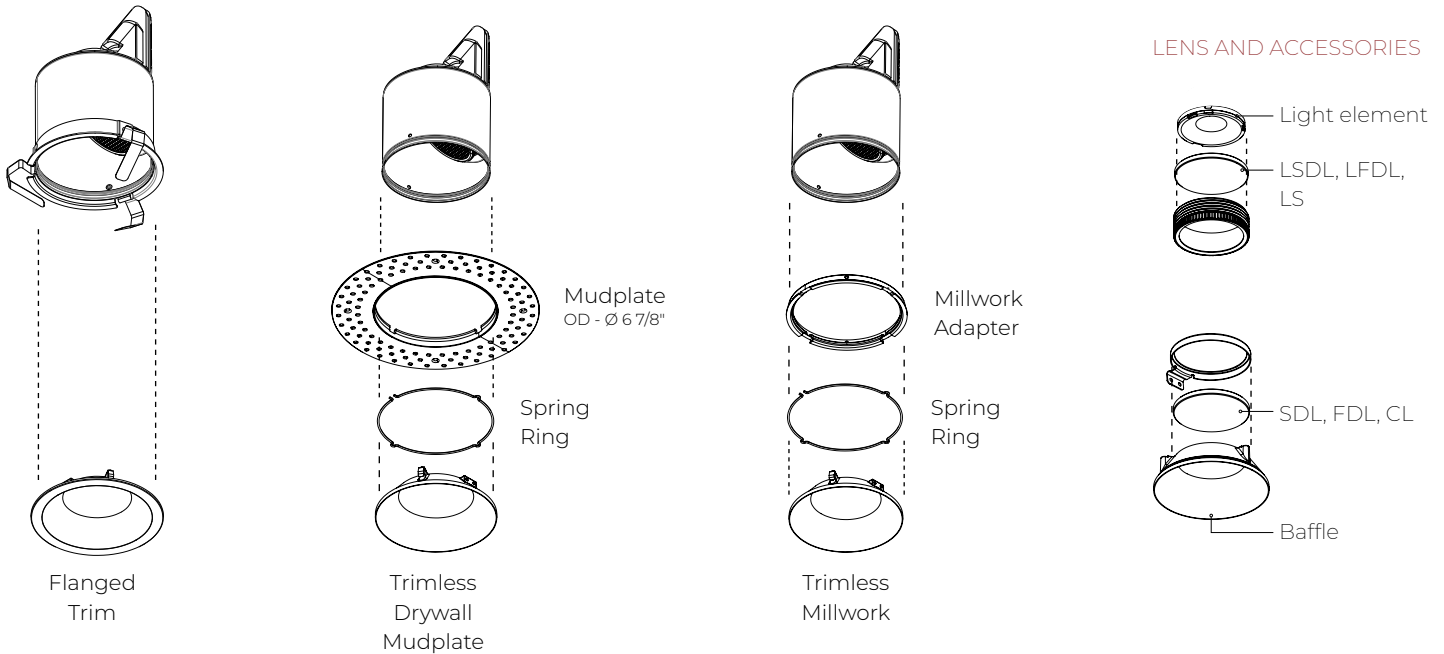
Adjustable Hat Channel bars can be used in both commercial and residential applications and come with a butterfly clip to adjust to various heights. AHC bars can be hung downward by 90 degrees in vertical position, and once wired, can be shifted onto the horizontal mounting plane. AHC bars are suitable for both Drywall and wood ceiling applications.

AERA 4" DOWNLIGHT

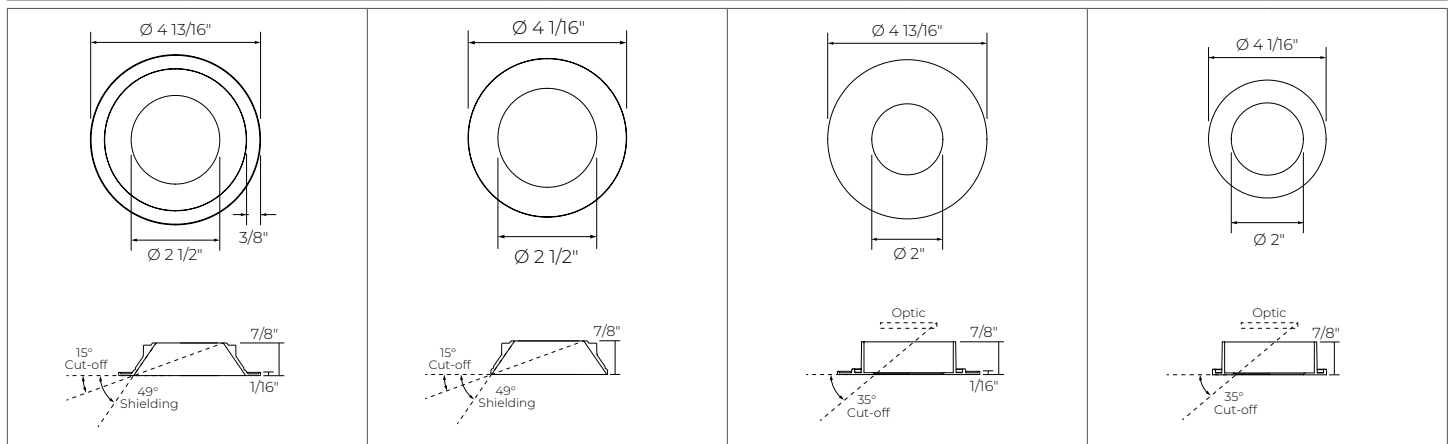
ROUND RECESSED ADJUSTABLE



Light & Baffle



Bevel		Pinhole	
TRM Flanged Trim	TLMP/TLMW Trimless Drywall Mudplate /Trimless Millwork	TRM Flanged Trim	TLMP/TLMW Trimless Drywall Mudplate /Trimless Millwork



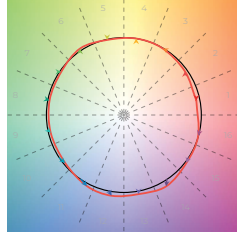
AERA 4" DOWNLIGHT

ROUND RECESSED ADJUSTABLE



Color Quality

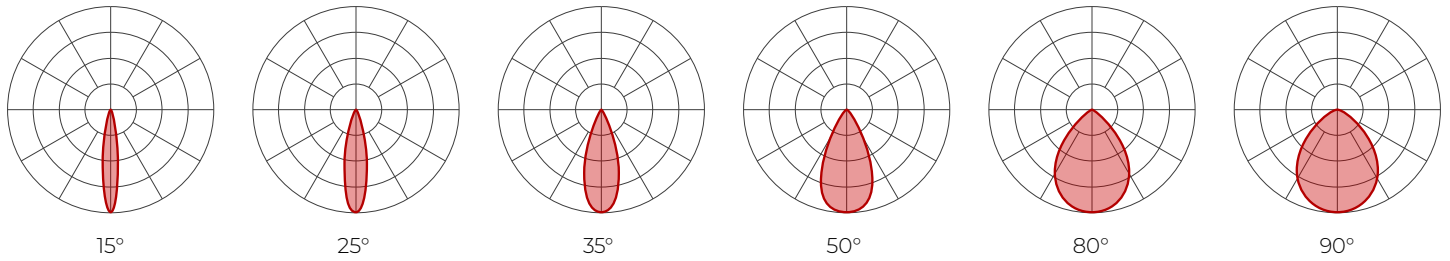
COLOR QUALITY - 3500K	
TM-30 R _r	90
TM-30 R _g	100
CRI	90
R9	> 50



Photometrics

STATIC WHITE

Values calculated based on 3500K, bevel baffle, and SDL lens option.



Delivered lumens

CRI	90 CRI						95 CRI						80 CRI					
	15°	25°	35°	50°	80°	90°	15°	25°	35°	50°	80°	90°	15°	25°	35°	50°	80°	90°
14 W	1226	1260	1213	1189	1070	1070	944	970	934	916	824	824	1312	1348	1298	1272	1145	1145
20 W	1758	1806	1739	1704	1534	1534	1354	1391	1339	1312	1181	1181	1881	1932	1861	1823	1641	1641
28 W	2359	2424	2334	2287	2058	2058	1816	1867	1797	1761	1585	1585	2524	2594	2498	2447	2202	2202

Efficacy

CRI	90 CRI						95 CRI						80 CRI					
	15°	25°	35°	50°	80°	90°	15°	25°	35°	50°	80°	90°	15°	25°	35°	50°	80°	90°
14 W	88	90	87	85	76	76	67	69	67	65	59	59	94	96	93	91	82	82
20 W	88	90	87	85	77	77	68	70	67	66	59	59	94	97	93	91	82	82
28 W	84	87	83	82	74	74	65	67	64	63	57	57	90	93	89	87	79	79

MULTIPLIERS

Please follow the multiplier tables to ensure correct lumen value. Beams, CCT, baffle styles, baffle colors, lensing and accessories will change the lumen value.

CCT		BAFFLE STYLE AND COLOR		LENS * (At baffle)		ACCESSORIES * (At light element)	
2700K	0.9	Flanged trim	1	SDL - Soft diffused lens, Solite	1	LSDL - Soft diffused lens, Solite	1
3000K	0.95	Trimless	1	FDL - Frosted lens	0.8	LFDL - Frosted lens	0.8
3500K	1	Bevel	1	CL - Clear lens	1.1	LS - Linear spread	0.84
4000K	1.05	Wet bevel	1	NOL - No lens	1.1		
		Pinhole	0.92				
		White	1				
		Black	1				

* When more than one lens or accessory is specified, multiply together the value of each lens and/or accessory.
e.g. NOL + LSDL + LS = 1.1 x 1 x 0.84 = 0.924

AERA 4" DOWNLIGHT

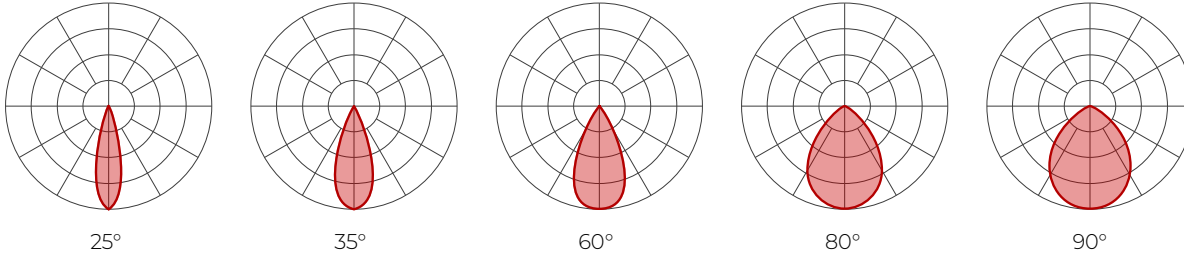
ROUND RECESSED ADJUSTABLE



Photometrics

SOLA/DUO

Values calculated based on bevel baffle and SDL lens option.



SOLA

BEAM		25°		35°		60°		80°		90°	
		lm	lm/W	lm	lm/W	lm	lm/W	lm	lm/W	lm	lm/W
28 W	3000K	1920	69	1945	69	1850	66	1590	57	1460	52
	2700K	1920	69	1945	69	1850	66	1590	57	1460	52

DUO

BEAM		25°		35°		60°		80°		90°	
		lm	lm/W	lm	lm/W	lm	lm/W	lm	lm/W	lm	lm/W
28 W	6500K	2005	72	2055	73	1980	71	1700	61	1565	56
	5000K	2005	72	2055	73	1980	71	1700	61	1565	56
	2700K	1780	64	1820	65	1740	62	1495	53	1375	49

MULTIPLIERS

Please follow the multiplier tables to ensure correct lumen value. Beams, CCT, baffle styles, baffle colors, lensing and accessories will change the lumen value.

BAFFLE STYLE AND COLOR		LENS * (At baffle)		ACCESSORIES * (At light element)	
Flanged trim	1	SDL - Soft diffused lens, Solite	1	LSDL - Soft diffused lens, Solite	1
Trimless	1	FDL - Frosted lens	0.8	LFDL - Frosted lens	0.8
Bevel	1	CL - Clear lens	1.1	LS - Linear spread	0.84
Wet bevel	1	NOL - No lens	1.1		
Pinhole	0.92	* When more than one lens or accessory is specified, multiply together the value of each lens and/or accessory. e.g. NOL + LSDL = 1.1 x 1 = 1.1			
White	1				
Black	1				

AERA 4" DOWNLIGHT

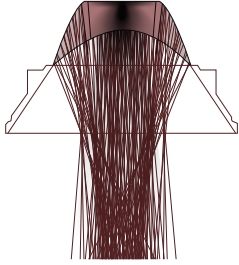
ROUND RECESSED ADJUSTABLE



Technical Specifications

OPTIC

XPoint™ Refraction Technology optics provide precise optical control in a remarkably compact form. Micro optical paths from the chip on board converge and then disperse in precise beam angles, resulting in a crisp and exacting light quality.



LIGHT SOURCE

Static white

Compact COB (Chip-On-Board) LED module, available in 2700K, 3000K, 3500K and 4000K with a choice of 80 CRI, 90 CRI, or 95 CRI, with elevated R9 value for 90 CRI and above. Color consistency is maintained to within 2 SDCM. All LEDs have been tested in accordance with IESNA LM-80-08 and the results have shown L80 lumen maintenance greater than 60,000 hours. Absolute product photometry is measured and presented in accordance with IESNA LM-79, unless otherwise indicated.

Full spectrum

The full spectrum LED option offers improved color particularly in the cyan region which helps increase Cyanosis Observation Index (COI) and assist in regulating circadian rhythms. The cyan region in full spectrum LED is richer at the 480 nm range.

Chromawerx SOLA

Chromawerx SOLA is single-channel control that dims output while warming the color temperature in a pre-determined relationship. Two color temperature range options are offered: 3000K to 1800K, and 2700K to 1800K. A simple analog control adjusts a specially populated LED array to emulate the effect of dimming a filament source.

Chromawerx DUO

Chromawerx DUO offers a two-channel control system which uses analog or digital protocols for synchronous control of both cool to warm LED arrays - maintaining a CRI above 90. Two color temperature range options are offered: 6500K to 2700K, and 5000K to 2700K. The range of color DUO offers is useful for entraining circadian rhythms, stimulating alertness, and compensating for jet lag among other applications. The Chromawerx drivers are programmed to limit maximum light output and power usage across all color temperatures. When paired with DALI drivers (DDA/DDA8), color tuning follows a linear dimming curve.

ELECTRICAL

Unless otherwise specified, dimming down to 1%. At maximum driver load: efficiency>84%, PF>0.9, THD<20%.

Integral: 0-10V, ELV, TRIAC, Lutron Hi-Lume 1% EcoSystem, DALI, eldoLED 0.1% SOLOdrive 0-10V, eldoLED 1% ECOdrive 0-10V, DMX, Lutron T-series (tunable white)

Remote: 0-10V, ELV, TRIAC, Lutron Hi-Lume 1% EcoSystem, DALI, eldoLED 0.1% SOLOdrive 0-10V, eldoLED 1% ECOdrive 0-10V, DMX, Lutron T-series (tunable white)

Emergency battery options - Integral: Factory installed, long-life, high-temperature, LED driver with integrated emergency backup using a recyclable LiFePO4 battery pack. Features a remote test switch with charge indicator, minimum of 90 minutes operation and 10 W per downlight emergency lighting output. Recharge time of 12 hours.

Emergency battery options - Remote: Remotely-installed, long-life, high-temperature, maintenance-free, Bodine Lithium-Ion battery pack with self-test functionality, test switch and charge indicator. IOTA and Fulham options available upon request. Minimum of 90 minutes operation, and recharge time of 24 hours. For fixtures less than 10 W, the battery provides 6 W of emergency light output. For fixtures 10 W and over, the battery provides 10 W.

PoE

Depending on the PoE manufacturer selected, Lumenwerx will install the node in factory as either integral to the luminaire or as a remote module. Factory programming of the PoE node may or may not enable the following functionalities: lumen package, DUO (tunable white), QUADRO (RGBW), emergency battery backup, and sensor integration. These must be addressed and evaluated on a case-by-case basis.

CONSTRUCTION

Housing

For new construction, 20 gauge powder coated steel. Open frame, type-1C, or Chicago Plenum (CCEA) rated. 18 gauge galvanized steel junction box with ½" trade size knockouts. Adjustable hanger bars and butterfly brackets are included. Adjustable commercial hat channel and flush mounted brackets are also available.

Light element

Adjustability: Hot aiming, 355° rotation and 35° vertical tilt with shift to ensure beam stays centered.

LED module: Integral COB module. 90 CRI and 2 SDCM, Standard with options of 80 CRI, or 95 CRI. L80 > 60,000 hours.

XPoint™ Refraction Technology optic: Micro optical paths from the chip on board converge and then disperse in precise beam angles, resulting in a crisp and exacting light quality.

Thermal management: Die-cast aluminum heat sink to maximize thermal dissipation.

Baffle: Die-cast aluminum mounted with retaining spring clips

AERA 4" DOWNLIGHT

ROUND RECESSED ADJUSTABLE



Trim style: Trimmed and trimless with mudplate or millwork adapter

WEIGHT

Open frame: 4.5 lbs - 2 kg

Type-IC/Chicago Plenum: 8 lbs - 3.6 kg

Remodel: 3.5 lbs - 1.6 kg

LENS AND ACCESSORIES



Soft diffused lens, Solite



Frosted diffused lens



Clear lens



Linear spread

ENVIRONMENT

Ambient temperature at fixture location shall be within 0°C/32°F - 25°C/77°F, indoor dry or damp as well as outdoor damp use (canopies or marquees).

CERTIFICATIONS

ETL: Rated for indoor dry/damp locations. Conforms to UL Standard 1598 and certified to CAN/CSA Standard C22.2 No. 250.0.

IP44: IP44 rated for bathrooms, showers, outdoor canopies, and marquees when specified with the wet location (WET) option.

Chicago Plenum: City of Chicago approved (CCEA) when specified with CP installation type option.

IC rated: Suitable for direct contact with insulation when specified with IC, CP or AT installation type options.

ENERGY STAR: ENERGY STAR certified

Title 24 JA8: California Building Standards Code

WARRANTY

Lumenwerx provides a five-year limited warranty on electrical and mechanical performance of the luminaires, including the LED boards, drivers, and auxiliary electronics. Lumenwerx will repair or replace defective luminaires or components at our discretion, provided they have been installed and operated in accordance with our specifications. Other limitations apply, please refer to the full warranty on our website.