



Advantage Continuous Linear (ACL3)

Seamless Runs, Corners, Direct/Indirect



OVERVIEW	
Lumen Output Range (lm/ft.)	700 - 2,600
Form Factors (ft.)	2, 3, 4, 5, 6, 8
Wattage (W/ft.)	6 - 22
Efficacy Range (LPW)	115 - 125
Fixture Weight lbs/ft. (kg/ft.)	2.0 (0.9)
Controls	IMS1, ALB, 3PC

QUICK LINKS

FEATURES & SPECIFICATIONS

Construction

- 2ft., 3ft., 4ft., 5ft., 6ft., and 8ft. Lengths.
- Extruded Aluminum housing, Acrylic cover lens.
- Post-painted for high quality finish.
- Operating temperature: 32F - 95F (0C to 35C).
- Seamless continuous runs, corners for complete rectangles.

Optical System

- Direct, Direct/Indirect or Indirect Illumination
- Variable up/down distribution for glare-free illumination.
- Minimum color rendering index (CRI) of 90 for accurate color rendering.

Electrical

- High-performance class 2 driver features overvoltage, under-voltage, short-circuit and over-temperature protection
- Universal Input Voltage (120-347 VAC) Input 50/60 Hz
- 0-10V dimming (5% - 100%) standard. Compatible with most commercially available dimmers.
- L70 Calculated Life: >60k hours (See Lumen Maintenance on Page 5)
- Power factor (PF): > 0.90
- Total harmonic distortion (THD): <20%
- 10W integrated emergency battery backup available for standby lighting.

Controls

- Available with AirLink Blue (ALB) controls
- ALB is a low-power wireless Bluetooth mesh control system. ALB provides significant energy savings while ensuring code compliance and security.

Installation

- Drywall ceiling or Grid ceilings, Rigid Stem or Wall.
- See ordering guide for mounting accessories (ordered separately).

Warranty

- LSI luminaires carry a 5-year limited warranty. Refer to <https://www.lsicorp.com/resources/terms-conditions-warranty/> for more information.

Listings

- Certified to UL 1598 and UL 8750.
- Suitable for damp locations.
- DesignLights Consortium® (DLC) qualified product. Not all versions of this product may be DLC qualified. Please check the DLC Qualified Products List at www.designlights.org/QPL to confirm which versions are qualified.

Advantage Continuous Linear (ACL3)

Type : _____

 **Have questions?** Call us at (800) 436-7800

ORDERING GUIDE

TYPICAL ORDER EXAMPLE: ACL3 SCH 24 13L 13L SWF UNC 935 WHT ALBCSD EM10					
Prefix	Mounting (See Accessories Table) ^{1,2}	Length ³	Direct Lumens (per ft.)	Indirect Lumens (per ft.)	Distribution/Lens
ACL3 - Advantage Continuous Linear 3"	SCH - Single Point Cable Hard Ceiling (10ft.) SCG - Single Point Cable Grid (10ft.) ST - Rigid Stem WM - Wall Mount	2 - 2ft. 3 - 3ft. 4 - 4ft. 5 - 5ft. 6 - 6ft. 8 - 8ft. 2CH - 2ft. by 2ft. Horizontal Corner XX^{4,5,6} - Total Run Length in 1ft. Increment (Consult Factory for Details)	0L - Lens Replaced by Beauty Plate 07L - 700lm/ft. 10L - 1000 lm/ft. 13L - 1,300 lm/ft.	0L - Lens Replaced by Beauty Plate 07L - 700 lm/ft. 10L - 1000 lm/ft. 13L - 1,300 lm/ft.	SWF - Standard Wide 120° Flush Lens
<i>Note: 0L (Direct) - 0L (Indirect) is not a valid combination.</i>					
Voltage	CCT & CRI ³	Housing Finish ³	Controls ³	Emergency ^{7,8}	Options
UNC - 120-347VAC Sensor Ready with Aux, 0-10V (5-100% DIM to OFF)	930 - 90 CRI 3000K 935 - 90 CRI 3500K 940 - 90 CRI 4000K 950 - 90 CRI 5000K	WHT - Matte White BLK - Matte Black	Blank - None IMS1 - Integral Standalone Motion Sensor with On/Off Daylight ALBC - AirLink Blue (Integral AirLink Blue controller) ALBCSD - AirLink Blue (Integral AirLink Blue Occ-Daylight Sensor) 3PC - 3rd Party Controls	Blank - None EM10 - 10W Integral Battery Backup GTD - Generator Transfer Device EH - Emergency Through Harness	2C - 2 Circuit Wiring CO - Custom Output (Contact Factory for Details)



Need more information?
[Click here for our glossary.](#)

Have additional questions?
 Call us at (800) 436-7800



ACCESSORY ORDERING INFORMATION (Ordered Separately)²

Part Number	Order Number	Description	Drywall/Grid/Stem ⁹
822465	ACL3PDCMK WHT	Feed Kit White - Canopy, 10ft. Cable and Power Cord	Feed Kit includes Canopy Set, 10ft. Power Cord, 2x Aircraft Cables 10ft., Hardware.
822466	ACL3PDCMK BLK	Feed Kit Black - Canopy, 10ft. Cable and Power Cord	
822461	ACL3JK SPC WHT	Cable Joiner Kit White 10ft.	Joiner Kit includes 1x Canopy, 1x Aircraft Cable 10ft., Hardware.
822462	ACL3JK SPC BLK	Cable Joiner Kit Black 10ft.	
822467	ACL3GCMK WHT	Feed Kit White - Canopy, 10ft. Cable and Power Cord	Feed Kit includes Grid Adapter, Canopy Set, 10ft. Power Cord, 2x Aircraft Cables 10ft., Hardware.
822468	ACL3GCMK BLK	Feed Kit Black - Canopy, 10ft. Cable and Power Cord	
822463	ACL3GJK WHT	Joiner Kit Cable White 10ft.	Joiner Kit includes 1x Grid Adapter, 1x Canopy, 1x Aircraft Cable 10ft., Hardware.
822464	ACL3GJK BLK	Joiner Kit Cable Black 10ft.	
822469	ACL3ST12 WHT	Feed Kit White Stem 1ft.	Feed Kit includes Canopy Set, 10ft. Power Cord, 2x Aircraft Cables 10ft., Hardware.
822470	ACL3ST24 WHT	Feed Kit White Stem 2ft.	
822526	ACL3ST12 BLK	Feed Kit Black Stem 1ft.	
822527	ACL3ST24 BLK	Feed Kit Black Stem 2ft.	
822528	ACL3JKST12 WHT	Joiner Kit White Stem 1ft.	Joiner Kit includes 1x Stem Adapter, 1x Canopy, 1x Aircraft Cable 10ft., Hardware.
822529	ACL3JKST24 WHT	Joiner Kit White Stem 2ft.	
822530	ACL3JKST12 BLK	Joiner Kit Black Stem 1ft.	
822531	ACL3JKST24 BLK	Joiner Kit Black Stem 2ft.	


Part Number	Order Number	Description	Wall/Replacement
822532	ACL3WMK WHT	Wall Mount Plate White	Feed kit includes 2x wall adapters, hardware.
822533	ACL3WMK BLK	Wall Mount Plate Black	
822534	ACL3EP WHT	End Plate Set White	Replacement Parts
822535	ACL3EP BLK	End Plate Set Black	
822536	ACL3 LENS2FT	Replacement Lens 2ft.	
822537	ACL3 LENS3FT	Replacement Lens 3ft.	
822538	ACL3 LENS4FT	Replacement Lens 4ft.	
822539	ACL3 LENS5FT	Replacement Lens 5ft.	
822540	ACL3 LENS6FT	Replacement Lens 6ft.	
822541	ACL3 LENS8FT	Replacement Lens 8ft.	

- Single point cable mount includes 10ft. aircraft cable, canopy, 10ft. Power cable is included for start of run.
- Mounting accessories ordered separately.
- Contact factory for custom lengths, lumen packages, CCT/CRI, custom finishes, or 3rd party controls details. Extended lead times may apply.
- Continuous runs are limited by the supplied power cable wire gauge (18AWG) Refer to the Continuous Run Calculations page in the installation instructions.

- Continuous runs with two circuits will require two starter fixtures. For a stem mounted run, this requires a starter fixture at each end of the run.
- Wall mounted continuous runs must be completely assembled prior to installation to the wall.
- EM provided at end of run unless specified otherwise. If in the middle of run, test switch located on side of housing for visibility.
- Battery and Switch on start or end unit unless otherwise specified.
- Stem mounted continuous runs must have a starter fixture located at the beginning or end of a run.

Advantage Continuous Linear (ACL3)

Type : _____

 Have questions? Call us at (800) 436-7800

PERFORMANCE

Delivered Lumens										
Lumen Package	Distribution	3000K	3000K	3500K	3500K	4000K	4000K	5000K	5000K	Wattage/ft.
7L	Direct	720	-	750	-	723	-	718	-	6
10L	Direct	1,071	-	1,115	-	1,075	-	1,068	-	9
13L	Direct	1,289	-	1,342	-	1,294	-	1,285	-	12
7L	Indirect	-	855	-	890	-	858	-	852	6
10L	Indirect	-	1,232	-	1,282	-	1,236	-	1,228	9
13L	Indirect	-	1,594	-	1,659	-	1,600	-	1,589	12
7L	Direct/Indirect	720	855	750	890	723	858	718	852	12
10L	Direct/Indirect	1,071	1,232	1,115	1,282	1,075	1,236	1,068	1,228	18
13L	Direct/Indirect	1,289	1,594	1,342	1,659	1,294	1,600	1,285	1,589	24

Recommended Lumen Maintenance ¹					
Ambient Temperature °C	Initial ²	25K hrs. ²	50K hrs. ²	75K hrs. ³	100K hrs. ³
25	100%	95%	90%	85%	80%
30	100%	95%	89%	84%	79%
35	100%	94%	89%	83%	78%
40	100%	94%	88%	83%	77%

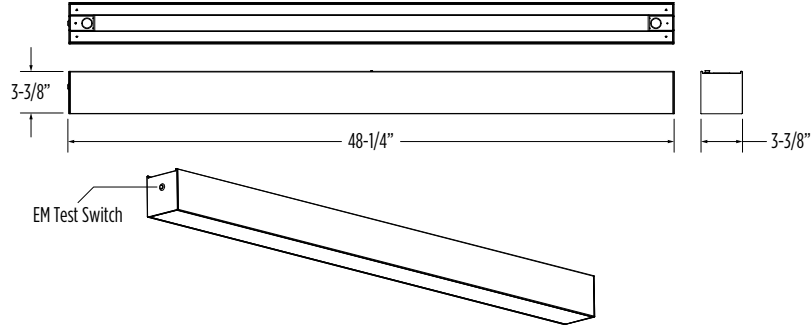
Electrical Data (Amps)*								
Lumen Package	Length	Distribution	Wattage (W)	120V	208V	240V	277V	347V
7L	2	Direct	13	0.10	0.06	0.05	0.05	0.04
7L	3	Direct	18	0.15	0.09	0.08	0.06	0.05
7L	4	Direct	24	0.20	0.12	0.10	0.09	0.07
7L	5	Direct	30	0.25	0.14	0.13	0.11	0.09
7L	6	Direct	36	0.30	0.17	0.15	0.13	0.10
7L	8	Direct	48	0.40	0.23	0.20	0.17	0.14
7L	Corner	Direct	24	0.20	0.12	0.10	0.09	0.07
7L	2	Indirect	13	0.11	0.06	0.05	0.05	0.04
7L	3	Indirect	18	0.15	0.09	0.08	0.06	0.05
7L	4	Indirect	24	0.20	0.12	0.10	0.09	0.07
7L	5	Indirect	30	0.25	0.14	0.13	0.11	0.09
7L	6	Indirect	36	0.30	0.17	0.15	0.13	0.10
7L	8	Indirect	48	0.40	0.23	0.20	0.17	0.14
7L	Corner	Indirect	24	0.20	0.12	0.10	0.09	0.07
7L	2	Direct/Indirect	24	0.20	0.12	0.10	0.09	0.07
7L	3	Direct/Indirect	36	0.30	0.17	0.15	0.13	0.10
7L	4	Direct/Indirect	48	0.40	0.23	0.20	0.17	0.14
7L	5	Direct/Indirect	60	0.50	0.29	0.25	0.22	0.17
7L	6	Direct/Indirect	72	0.60	0.35	0.30	0.26	0.21
7L	8	Direct/Indirect	96	0.80	0.46	0.40	0.35	0.28
7L	Corner	Direct/Indirect	48	0.40	0.23	0.20	0.17	0.14
10L	2	Direct	18	0.15	0.09	0.08	0.07	0.05
10L	3	Direct	27	0.23	0.13	0.11	0.10	0.08
10L	4	Direct	36	0.30	0.17	0.15	0.13	0.10
10L	5	Direct	45	0.38	0.22	0.19	0.16	0.13
10L	6	Direct	54	0.45	0.26	0.23	0.19	0.16
10L	8	Direct	72	0.60	0.35	0.30	0.26	0.21
10L	Corner	Direct	36	0.30	0.17	0.15	0.13	0.10
10L	2	Indirect	18	0.15	0.09	0.08	0.07	0.05
10L	3	Indirect	27	0.23	0.13	0.11	0.10	0.08
10L	4	Indirect	36	0.30	0.17	0.15	0.13	0.10
10L	5	Indirect	45	0.38	0.22	0.19	0.16	0.13
10L	6	Indirect	54	0.45	0.26	0.23	0.19	0.16
10L	8	Indirect	72	0.60	0.35	0.30	0.26	0.21
10L	Corner	Indirect	36	0.30	0.17	0.15	0.13	0.10
10L	2	Direct/Indirect	36	0.30	0.17	0.15	0.13	0.10
10L	3	Direct/Indirect	54	0.45	0.26	0.23	0.19	0.16
10L	4	Direct/Indirect	72	0.60	0.35	0.30	0.26	0.21
10L	5	Direct/Indirect	90	0.75	0.43	0.38	0.32	0.26
10L	6	Direct/Indirect	108	0.90	0.52	0.45	0.39	0.31
10L	8	Direct/Indirect	144	1.20	0.69	0.60	0.52	0.41
10L	Corner	Direct/Indirect	72	0.60	0.35	0.30	0.26	0.21
13L	2	Direct	24	0.20	0.11	0.10	0.09	0.07
13L	3	Direct	35	0.29	0.17	0.14	0.12	0.10
13L	4	Direct	46	0.39	0.22	0.19	0.17	0.13
13L	5	Direct	60	0.50	0.29	0.25	0.22	0.17
13L	6	Direct	72	0.60	0.35	0.30	0.26	0.21
13L	8	Direct	96	0.80	0.46	0.40	0.35	0.28
13L	Corner	Direct	46	0.38	0.22	0.19	0.16	0.13
13L	2	Indirect	24	0.20	0.12	0.10	0.09	0.07
13L	3	Indirect	35	0.29	0.17	0.15	0.13	0.10
13L	4	Indirect	47	0.39	0.22	0.19	0.17	0.13
13L	5	Indirect	60	0.50	0.29	0.25	0.22	0.17
13L	6	Indirect	72	0.60	0.35	0.30	0.26	0.21
13L	8	Indirect	96	0.80	0.46	0.40	0.35	0.28
13L	Corner	Indirect	48	0.40	0.23	0.20	0.17	0.14
13L	2	Direct/Indirect	48	0.40	0.23	0.20	0.17	0.14
13L	3	Direct/Indirect	72	0.60	0.35	0.30	0.26	0.21
13L	4	Direct/Indirect	96	0.80	0.46	0.40	0.35	0.28
13L	5	Direct/Indirect	120	1.00	0.58	0.50	0.43	0.35
13L	6	Direct/Indirect	144	1.20	0.69	0.60	0.52	0.41
13L	8	Direct/Indirect	192	1.60	0.92	0.80	0.69	0.55
13L	Corner	Direct/Indirect	96	0.80	0.46	0.40	0.35	0.28

1 Lumen maintenance values at 40C are calculated per TM-21 based on LM-80 data and in-situ testing.
 2 In accordance with IESNA TM-21-11, Projected Values represent interpolated value based on time durations that are within six times the IESNA LM-80-08 total test duration for the device under testing.
 3 In accordance with IESNA TM-21-11, Calculated Values represent time durations that exceed six times the IESNA LM-80-08 total test duration for the device under testing.
 4 Electrical data at 25C (77F). Actual wattage may differ by +/-10%.

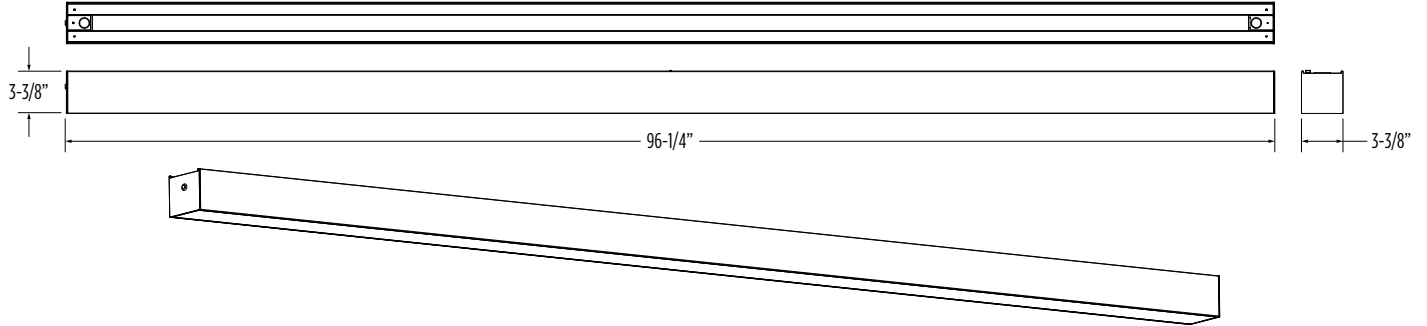
PRODUCT DIMENSIONS

Dimensions for Direct, Indirect, and Direct/Indirect

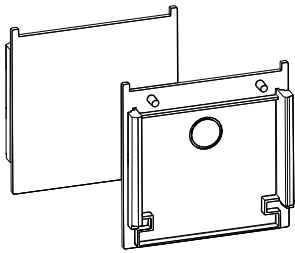
Advantage Continuous Linear, 4ft.
(ACL3 4)



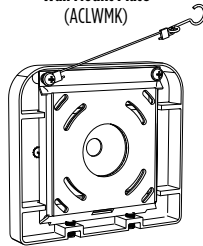
Advantage Continuous Linear, 8ft.
(ACL3 8)



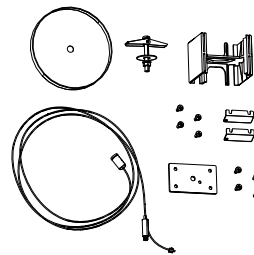
End Plate Set
(ACL3EP)



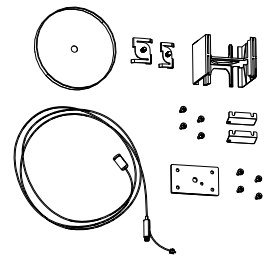
Wall Mount Plate
(ACLWMK)



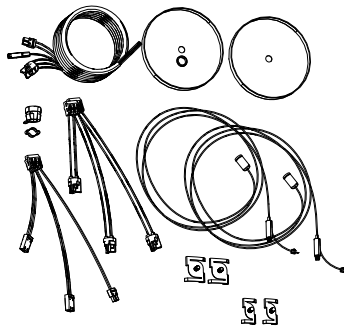
Cable Joiner Kit, 10ft.
(ACL3JK SPC_DW)



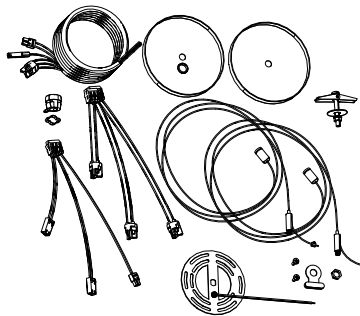
Joiner Kit Cable, 10ft.
(ACL3JK SPC_GM)



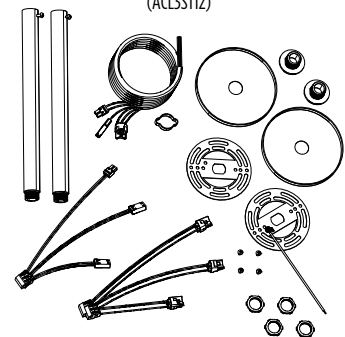
Feed Kit - Canopy, 10ft.
(ACL3GCMK)



Feed Kit - Canopy, 10ft.
(ACL3PDCMK)



Feed Kit Stem 1ft./2ft.
(ACL3ST1Z)



CONTROLS

AirLink Blue (ALB Devices)

Wireless Bluetooth Mesh Outdoor Lighting Control System that provides energy savings, code compliance and enhanced safety/security for parking lots and parking garages. Three key components; Bluetooth wireless radio/sensor controller, Time Keeper and an iOS App. Capable of grouping multiple fixtures and sensors as well as scheduling time-based events by zone. Radio/Sensor Controller is factory integrated into Area/ Site, Wall Mounted, Parking Garage and Canopy luminaires.

[Click here to learn more details about AirLink Blue](#)



AirLink Blue App



Apple

3PC (3rd party controls)

LSI has a unique ability to integrate sensors and controls from a wide variety of 3rd party controls manufacturers. LSI has developed the 3PC process to allow for partners and customers to communicate their 3rd party controls manufacturer integration request. Simply complete the model # build by including "3PC" in the controls column then additionally including the name of the controls manufacturer and the model # of the device in the options column. Examples of this nomenclature build are below. LSI will utilize this information to research the 3rd party manufacturers control system, investigate the requirements to effectively integrate the device into the LSI fixture and provide the appropriate information to help secure the project order. Building of the model # does not guarantee compatibility. Price will be determined after engineering review and control integration components are configured.

3PC Nomenclature Examples	
3rd Party Manufacturer	Model #
Lutron	TRK24 FS1 UNV 3PC Lutron [Device Model #]
AviOn	TRK24 FS1 UNV 3PC AviOn [Device Model #]
Acuity	TRK24 FS1 UNV 3PC Acuity [Device Model #]
Current	TRK24 FS1 UNV 3PC Current [Device Model #]