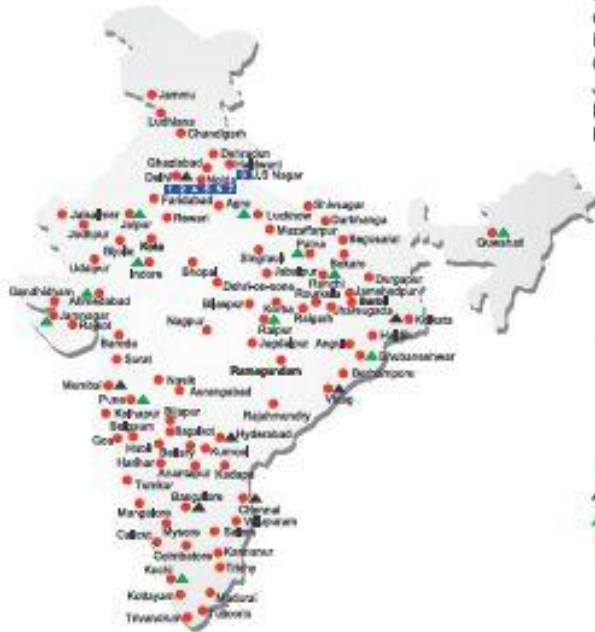


ALL INDIA NETWORK



SPARE PARTS & SERVICE

ACE has a India Sales and Service network operating out of all the major cities. These outlets are fully equipped to provide genuine spare parts and services by company trained engineers. These outlets are further supported by company officials based at Delhi, Mumbai, Chennai, Kolkata, Ahmedabad, Surat, Pune, Jaipur, Chandigarh, Ranchi, Raipur, Indore, Bhubneshwar, Lucknow, Jamnagar, Hyderabad, Bangalore, Guwahati, Patna, Vizag & Cochin.

CUSTOMER CARE
TOLL FREE No
1800 1800 004

- WORKS
- ▲ REGIONAL OFFICES
- ▲ AREA OFFICES
- SALES AND SERVICE DEALERS



ACE

Action Construction Equipment Ltd.

Contact:

CVI
CERTIFIED
MANUFACTURING SYSTEM
ISO 9001

All services are done after an evaluation of your requirements. Single & multiple machines are available in 15-20 days or as per part of the standard equipment.



www.ace-cranes.com

MARKETING HQ.

4th Floor, Pinnacle, Sursaj Kone, NCR-121008
Email: marketing@ace-cranes.com

DELHI OFFICE

Dubinda Link Road, Duhai, Palwa-121102, Haryana
Ph: +91-1279-080111, Fax: +91-1279-080133
CIN: L74999-PR1995PLD053860

MUMBAI OFFICE

31, "Kalpataru Court", Chembur, Mumbai - 74
Ph: +91-22-25208888, 25207070, Telex: 25207071
Email: aemumbai@ace-cranes.com

KOLKATA OFFICE

"Forma Towers" 8/A, Second Floor, A/C Bose Road,
Kolkata-74, Ph: +91-99-65012260
E-mail: acoolkata@ace-cranes.com

CHENNAI OFFICE

1st Floor, "Max Regency", 165, Eldama Road,
Apar Pet, Chennai - 18
Ph: +91-44-24314253, Telex: 24314552
Email: acochennai@ace-cranes.com

ACE

Motor Graders

High Performance and rugged
Motor Graders

ACE INDIA'S NO. 1
MOBILE & TOWER CRANE CO.



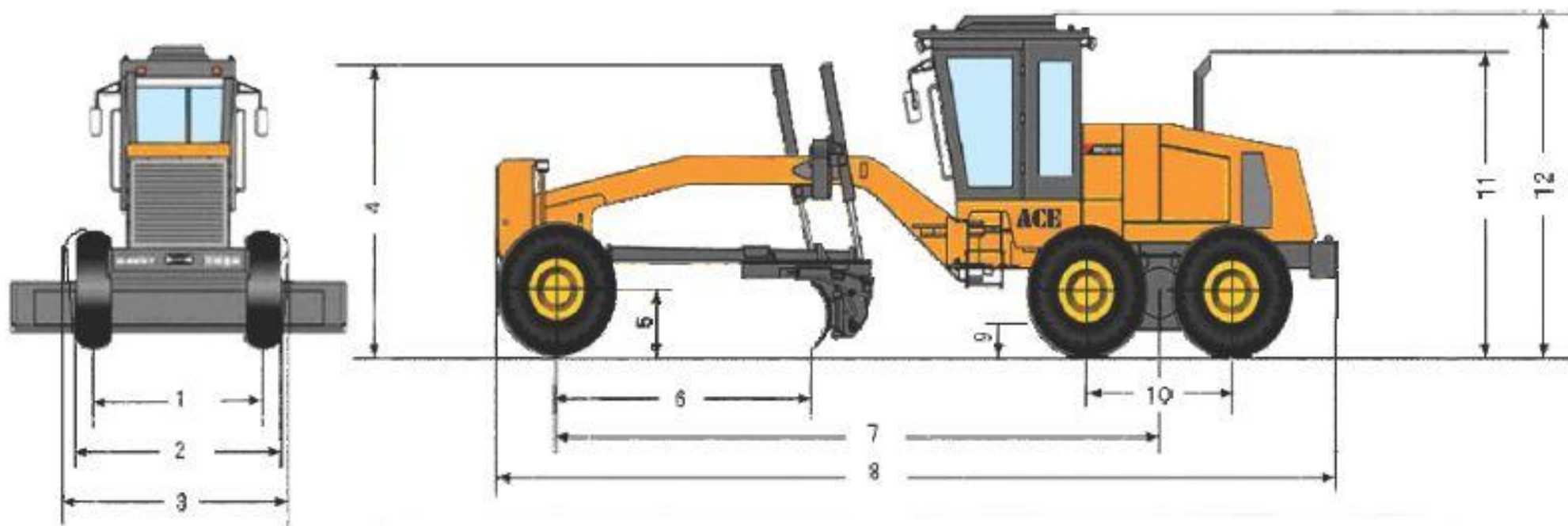
CUMMINS engine for reliable performance and steady output in tough working conditions.
ZF technology electro-hydraulic controlled power shift gearbox guarantees flexible and convenient operation.
No-Spin self locking differential drive axle provides reliable and stable drive.
Double circuit Hydraulic braking system improves safety & reliability.
Husco Multi-direction valves ensure hydraulic system reliability.

Nothing beats an ACE

Specifications

Motor Grader

Description	Unit	AG151	AG176
Engine Model		6BTAA5.9C	B5.9 173C31
Engine Power at Rated Speed	hp	150hp @ 2200 rpm	173hp @ 2500 rpm
Weight: Total	kg	14100	15000
On Front Wheel	kg	4225	4500
On Rear Wheel	kg	9875	10500
Blade Length X Arc Height	mm	3657X610	3657X610
Maximum Inclination Angle	degree	90°	90°
Cutting Angle	degree	36°-66°	36°-66°
Maximum Digging Depth	mm	500	500
Maximum Lifting Height	mm	480	480
Minimum Turning Radius	mm	7800	7800
Gradeability	%	20	20
Tyre Size*	-	13.0-24-12PR	14.0-24-16PR
Speed (Forward / Reverse)	km/h	5,8,11,19,23,38/5,11,23	
Front Axle			
Inclined angle	degree	± 17°	± 17°
Steering angle	degree	± 45°	± 45°
Swing angle	degree	± 15°	± 15°
Maximum Traction Force	KN	≥ 90	≥ 90



Description	AG151	AG176	Description	AG151	AG176
1 Width-tyre center lines	2156	2156	8 Length-front tyre to end of rear frame	9132	9132
2 Width-outside rear tyres	2501	2525	9 Ground clearance at trans. case	387	412
3 Width-outside front tyres	2521	2546	10 Length between tandem axles	1639	1639
4 Height to top of cylinders	2963	2988	11 Height to exhaust stack	3120	3145
5 Height to axle	635	660	12 Height - with air-conditioner	3376	3401
6 Length-front axle to mouldboard	2770	2770	- w/o air-conditioner	3260	3285
7 Length-front axle to mid tandem	6575	6575			

(All dimensions are in mm)

5. Air Conditioner

Roof mounted AC to give complete cooling effect thus improving the comfort and efficiency of operator.



6. ROPS Cabin

Well designed diamond shaped cab with wide-view vision, good water, dust and noise sealing, adjustable operating consol, FM radio, air conditioner and adjustable/comfortable operator seat. The Rollover Protective Structure (ROPS) is designed as per ISO3471-1994, ISO3164-1995(E) standards provides operator's safety and comfort.



7. Front & Rear Visibility

Bigger size front windscreen and good engine hood design of hoses allows all around visibility in front and



8. Engine Accessibility

Easy to reach and maintenance. Open vents ensure adequate ventilation.





9. Ground Clearance

Best in class ground clearance of 412 mm for trouble free operation (Model AG 176)



10. Draw Bar Pull

Best in class Blade down force of 7140 kg and Draw Bar Pull of 9450 kg (Model AG 176)

