

PRM4 – Promenade™ Series

TYPE

- IES full cutoff reflector systems (horizontal reflectors)
- Memory retentive silicone gaskets keep the optical chamber free of dirt and contaminants
- Tool-less removal of the reflector and ballast modules
- Optical grade acrylic lens will not yellow from UV radiation from the sun and metal halide lamps
- Cast aluminum construction and stainless steel hardware for corrosion resistance
- Powder coat finish in 13 standard colors with a polymer primer sealer



PRM4

| | | | | |
|--------------|-----------------|----------|------------|-------------|
| 1. LUMINAIRE | 2. LAMP/BALLAST | 3. COLOR | 4. OPTIONS | 5. MOUNTING |
| | | | | |

1. LUMINAIRE

ARM MOUNT

Vertical Lamp (Sag glass lens, cutoff)

PRM4 V3 (Type 3)

PRM4 V5 (Type 5)

Horizontal Lamp (Flat glass lens, full cutoff)

PRM4 H2 (Type 2)

PRM4 H3 (Type 3)

PRM4 H4 (Type 4)

PRM4 H5 (Type 5)

POST TOP MOUNT (Slip over a 5" O.D. pole)

Vertical Lamp (Sag glass lens, cutoff)

PRM4-PM V3 (Type 3)

PRM4-PM V5 (Type 5)

Horizontal Lamp (Flat glass lens, full cutoff)

PRM4-PM H2 (Type 2)

PRM4-PM H3 (Type 3)

PRM4-PM H4 (Type 4)

PRM4-PM H5 (Type 5)

2. LAMP/BALLAST

PULSE START METAL HALIDE (120/208/240/277 volt ballast)

Mogul base, ED-28 lamp

150PSMH

175PSMH (Vertical reflectors base up only)

200PSMH (Vertical reflectors base up only)

250PSMH

320PSMH

350PSMH

400PSMH

HIGH PRESSURE SODIUM (120/208/240/277 volt ballast)

Mogul base, ED-23 1/2 lamp

150HPS

Mogul base, ED-18 lamp

200HPS

250HPS

400HPS

All ballasts are factory wired for 277 volts, unless specified. Lamps not included. For horizontal reflector models with PSMH mogul base ballasts, use a lamp approved for horizontal burning.

3. COLOR

Standard Color

WH Arctic White

BL Black

LT Matte Black

DB Dark Bronze

DGN Dark Green

TT Titanium

WDB Weathered Bronze

MDB Bronze Metallic

VBV Verde Blue

CRT Corten

MAL Matte Aluminum

MG Medium Grey

AGN Antique Green

LG Light Grey

Premium Color

SHK Shamrock

SPP Salt and Pepper

SFM Seafoam

WCP Weathered Copper

RAL RAL 4 digit Color

CUSTOM Custom Color

4. OPTIONS

DAL (Drop acrylic lens - clear)

DLD (Drop acrylic lens - lightly diffused lens to reduce lamp brightness)

HSS (House side shield for horizontal or vertical reflectors. Factory installed. **Not available for Type 5**)

LDL (Lightly diffused lens to conceal the fixture interior and reduce lamp brightness). Horizontal optic only.

MAT (Mast arm adapter slips over a 2 3/8"/60mm DIA pipe and is secured with four stainless steel set screws)

QL (Socket for T-4 mini-can lamp, field wired to a separate circuit. Lamp wattage not to exceed ballast wattage)

QRS (Restrike controller and T-4 mini-can socket. Not required with electronic ballast. Lamp wattage not to exceed ballast wattage)

RST (Instant restrike ballast for 70, 100, or 150 watt HPS lamp. Comes with mogul socket. **Mogul base lamp only**)

347 (120/277/347 volt ballast)

5. MOUNTING – For arm mount only

WALL MOUNT

WMA2M

WMA2L

WMA35D

WMA36D

WMA37

WMA38

WMA39

WMA4

WMA6

WMA8

WMA9D

WMA10

WMA11

WMA12

WMA16

WMA17

WMA18

WMA22D

POLE MOUNT

TRA2M

TRA2L

TRA4

TRA5D

TRA6D

TRA7

TRA7-2

TRA8

TRA8-2

TRA9

TRA9-2

SLA3

SLA4

SLA4-2

SLA7

SLA7-2

SLA7(5)

SLA7(5)-2

SLA8D

SLA9

SLA9-2

SLA10

SLA10-2

SLA16

SLA16-2

SLA17

SLA17-2

SLA17 (5)

SLA17 (5)-2

SLA18

SLA18-2

SLA22D

Visit www.aal.net for Arms, Poles & Accessories Specification Guide

SPECIFICATIONS

HOUSING

The ballast housing shall be a one piece, high strength casting with an integral heat sink for the ballast assembly. Housing shall be A356 cast free of any porosity, foreign materials or cosmetic fillerâcs. The hood shall be spun aluminum welded circumferentially to the ballast housing. The housing shall have an inner rolled flange to support the door frame. The door frame shall be an aluminum casting, hinged to the housing. The door frame shall be sealed to the housing with a molded silicone gasket and be secured with four captive screws. Vertical lamp fixture shall have a sag glass lens, the horizontal lamp fixture shall have a flat glass lens. The optional drop lens shall be molded, optical grade DR acrylic. All internal and external hardware is stainless steel.

REFLECTOR MODULE

The optical assembly shall consist of an die cast aluminum housing, sealed with a silicone gasket to prevent dust, insect or moisture contamination. The reflector module shall consist of segmented, specular and semi-specular Alzak® panels precisely formed and positioned within the housing and rotatable on ninety degree increments for proper field positioning. Reflectors shall meet the ANSI-IES standard for full cutoff in horizontal models or cutoff in vertical models.

ELECTRICAL

Ballasts shall be high power factor rated for -30°C starting. The ballast shall be mounted to a cast holder for maximum heat dissipation. Mogul base porcelain sockets shall be pulse rated. The electrical assembly shall be installed and prewired in the fixture.

See next page

JOB _____
 TYPE _____
 NOTES _____

PRM4 – Promenade™ Series

TYPE

MOUNTING

The fixture shall be welded to the cast arm for mounting the TRA5 and TRA6 arm.

Wall mounting the WMA35 or WMA36: the fixture shall be welded to the cast arm.

Arm or wall mounting other AAL arms: The fixture shall attach to a transition casting that is welded to the arm. The transition piece shall attach to the fixture with three stainless steel 1/4-20 bolts and sealed with a silicone gasket.

TOOL-LESS RELAMPING

The lens door frame of the fixture shall hinge down for relamping. Four captive screws shall be loosened to open the fixture for relamping.

FINISH

Fixture finish shall consist of a five stage pretreatment regimen with a polymer primer sealer, oven dry off and top coated with a thermoset super TGIC polyester powder coat finish. The finish shall meet the AAMA 2604-02 performance specification which includes passing a 3000 hour salt spray test for corrosion resistance.

CERTIFICATION

Fixtures shall be listed with UL Testing Laboratories for outdoor, wet location use, 1598 and Canadian CSA std. C22.2 no.250.

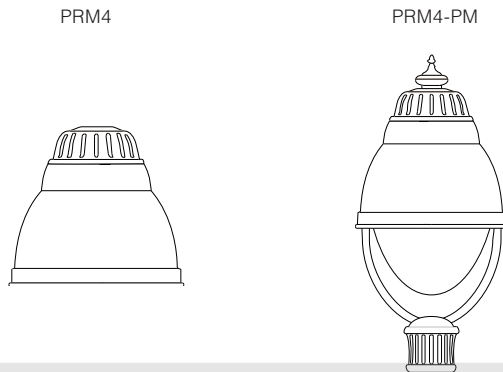
WARRANTY / TERMS AND CONDITIONS OF SALE

Download:

<http://www.hubbelling.com/resources/warranty/>

AAL reserves the right to change product specifications without notice.

DIMENSIONS



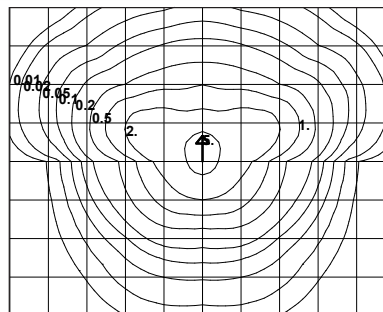
28"/660mm x 22"/560mm DIA
WT: 45 lbs IP: 54 EPA: 1.95

42.5"/1020mm x 22"/560mm DIA
WT: 49 lbs IP: 54 EPA: 2.56

PRM4 H3 250MH WATTAGE: 295 LUMEN OUTPUT: 16589 EFFICACY: 80

B3 U0 G3

| FORWARD LIGHT | | LUMEN | |
|---------------|-----------|-------|--|
| FL | 30° 5.8% | 1324 | |
| FM | 60° 22.5% | 5164 | |
| FH | 80° 21.1% | 4854 | |
| FVH | 90° 0.2% | 46 | |
| BACK LIGHT | | | |
| BL | 30° 4.5% | 1024 | |
| BM | 60° 12.3% | 2830 | |
| BH | 80° 5.7% | 1301 | |
| BVH | 90° 0.2% | 39 | |
| UPLIGHT | | | |
| UL | 100° 0% | 0 | |
| UH | 180° 0% | 0 | |



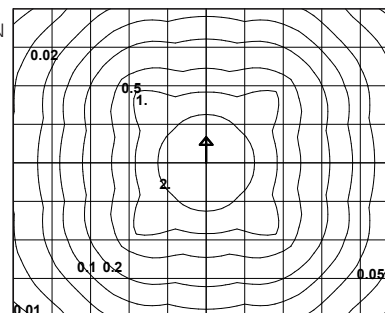
| Mounting Height | Multiplier |
|-----------------|------------|
| 10 | 4.000 |
| 15 | 1.778 |
| 20 | 1.000 |
| 25 | 0.640 |
| 30 | 0.444 |
| 35 | 0.327 |
| 40 | 0.250 |
| 45 | 0.198 |
| 50 | 0.160 |

UPLIGHT 0%
DOWNLIGHT 100%

PRM4 V5 250MH WATTAGE: 310 LUMEN OUTPUT: 16802 EFFICACY: 66.1

B4 U3 G3

| FORWARD LIGHT | | LUMEN | |
|---------------|-----------|-------|--|
| FL | 30° 3.8% | 769 | |
| FM | 60° 16.7% | 3426 | |
| FH | 80° 19.4% | 3981 | |
| FVH | 90° 0.9% | 179 | |
| BACK LIGHT | | | |
| BL | 30° 3.8% | 769 | |
| BM | 60° 16.7% | 3426 | |
| BH | 80° 19.4% | 3981 | |
| BVH | 90° 0.9% | 179 | |
| UPLIGHT | | | |
| UL | 100° 0.3% | 52 | |
| UH | 180° 0.1% | 2 | |



| Mounting Height | Multiplier |
|-----------------|------------|
| 10 | 4.000 |
| 15 | 1.778 |
| 20 | 1.000 |
| 25 | 0.640 |
| 30 | 0.444 |
| 35 | 0.327 |
| 40 | 0.250 |
| 45 | 0.198 |
| 50 | 0.160 |

UPLIGHT 0.5%
DOWNLIGHT 99.5%

[IES files can be found at www.aal.net](http://www.aal.net)