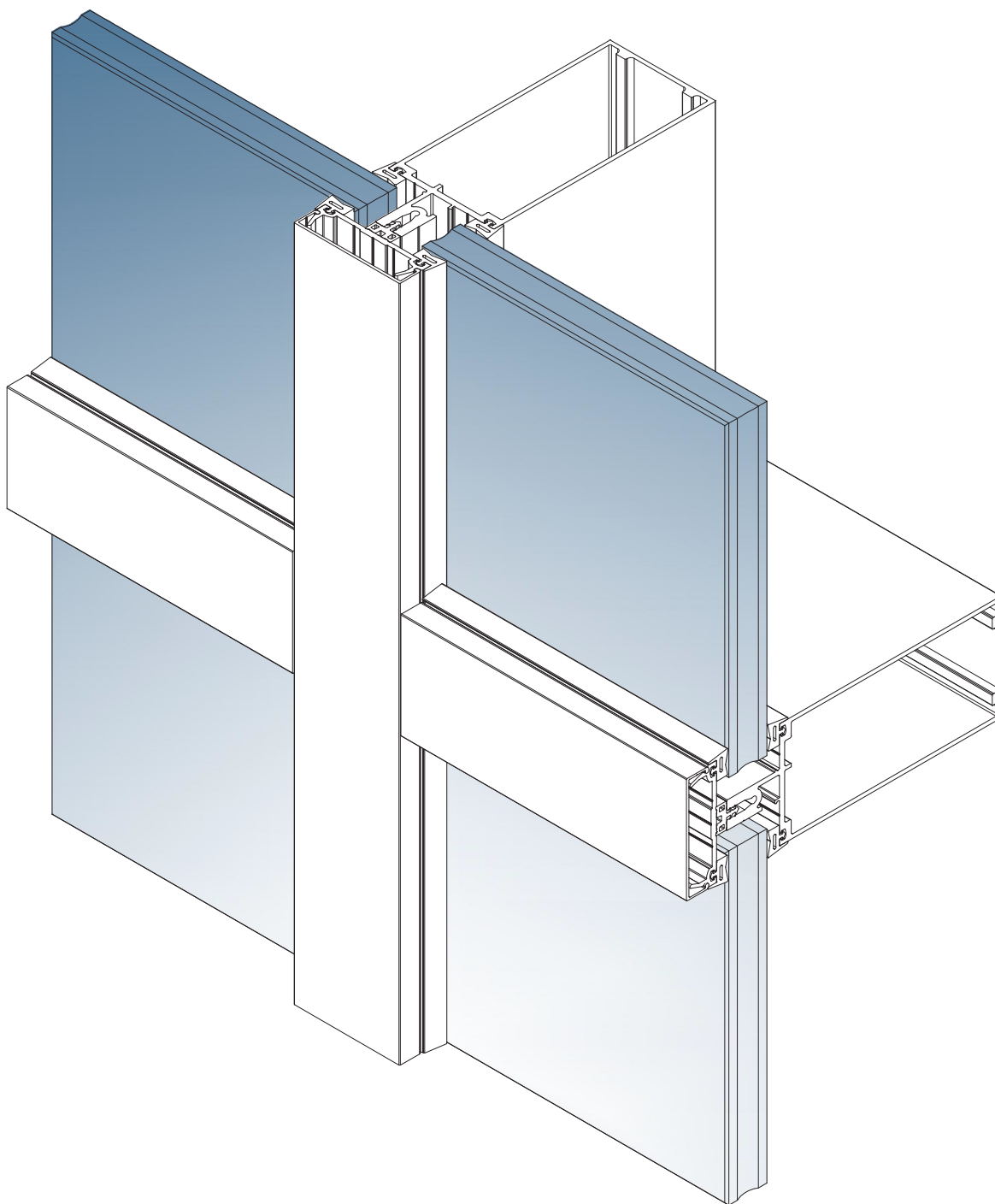


ES-7525 & ES-6025

STICK SYSTEM



DESCRIPTION

ES-7525 and ES-6025 are impact and blast resistant thermally improved, pressure glazed curtain wall systems with 2 1/2" sight line. They are compatible with ES-9000 Impact door.

SYSTEMS DESCRIPTION:

Frame depth: 7 1/2"(ES-7525), 6" (ES-6025).

Designed for laminated glass, insulated laminated glass, and non impact insulated glass.

U value: 0.45 (with 1/4 SB60 - 1/2 air - 1/4 clear).

Water infiltration 20 psf (ES-7525).

Design Load. +100/-100 psf.(ES-7525).

Bomb blast for ES-7525: 5.8 psi-msec

ASTM. Minimal hazard

GSA Condition 2

UFC DoD Medium level

FEATURES:

Integral Door Adaptor.

Shear block construction.

EPDM Isolator gasket

Outside Glazed.

90° outside/inside corner.

Open horizontals available for ease of installation.

Anodized, painted or wood grain finishes available.

Captured verticals and horizontals, as well as SSG vertical mullions.

BENEFITS:

Improved thermal performance.

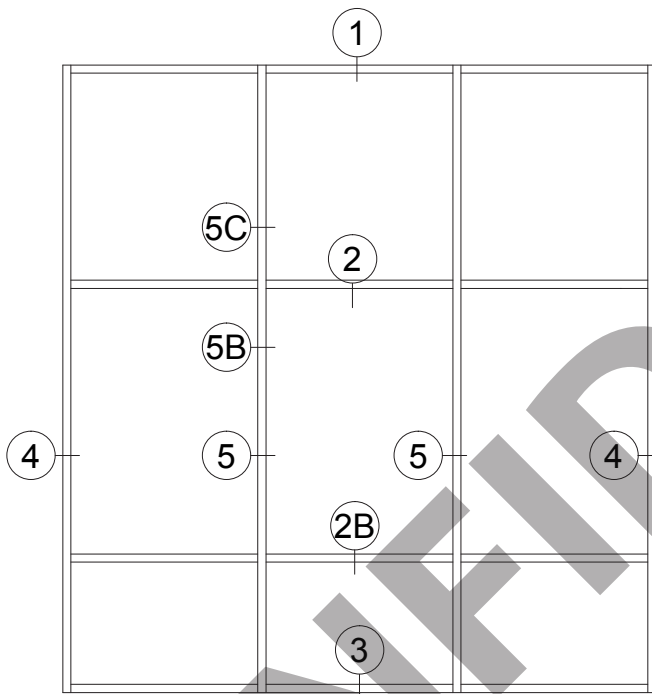
Various aesthetics options.

Enhanced resistance to air and water infiltration.

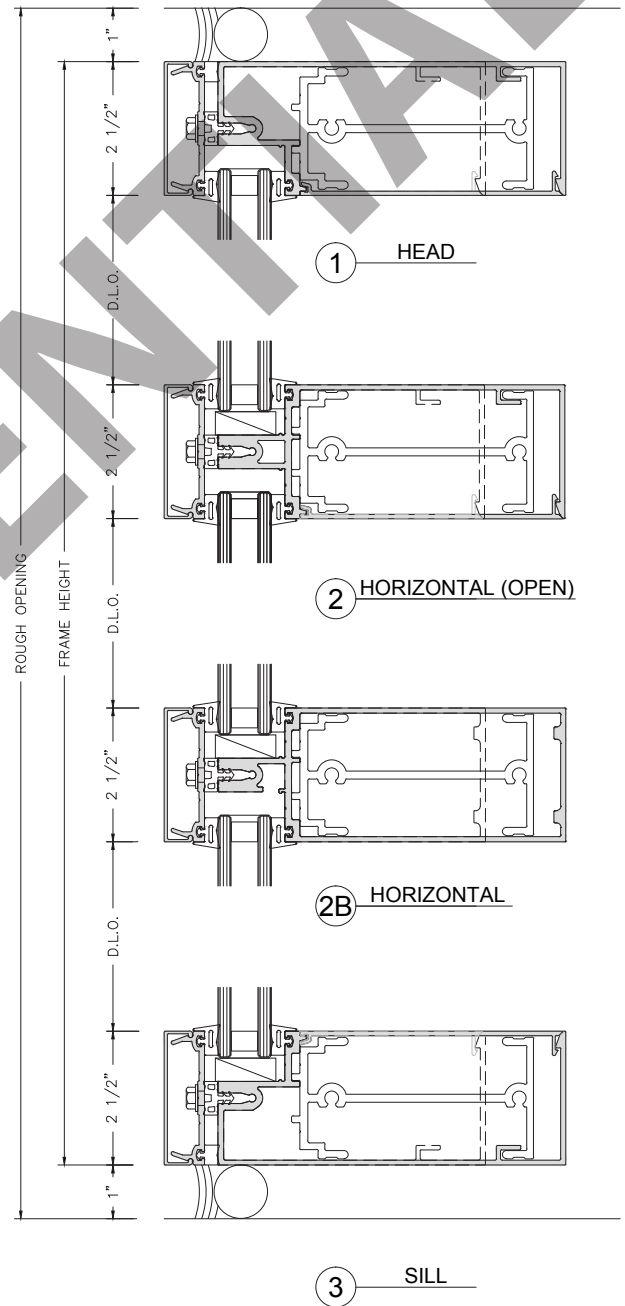
Versatile.

Enhanced durability.

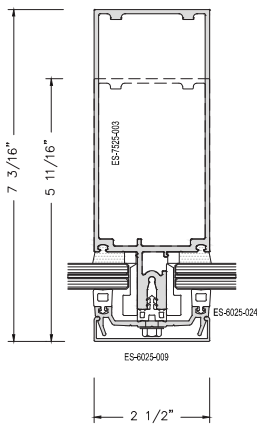
DETAILS



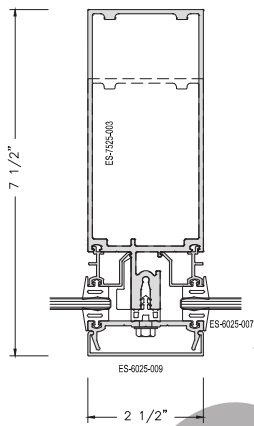
ES-6025
 6" DEEP SYSTEM



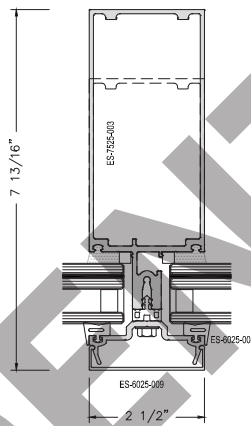
VERTICAL 9/16" GLASS



VERTICAL 1/4" GLASS

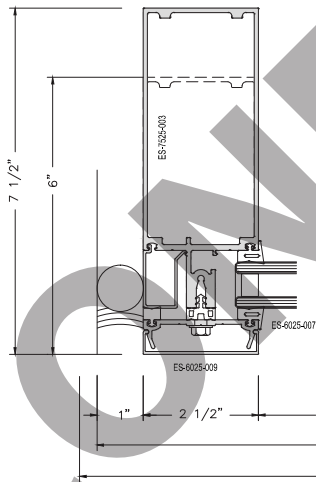


VERTICAL 1 5/16" GLASS

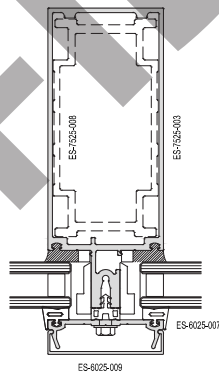


ES-6025
6" DEEP SYSTEM

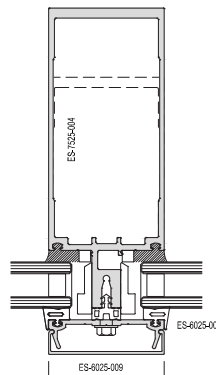
④ JAMB



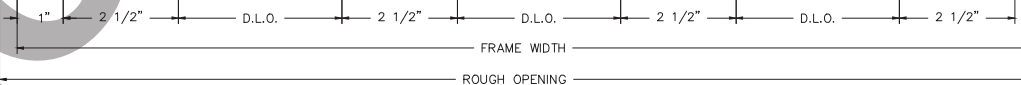
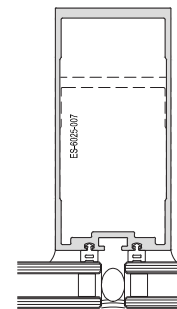
⑤ VERTICAL

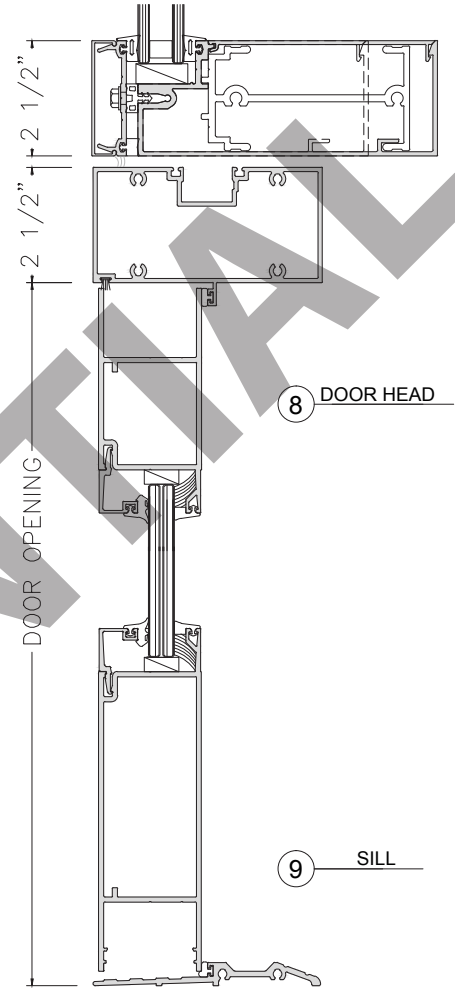
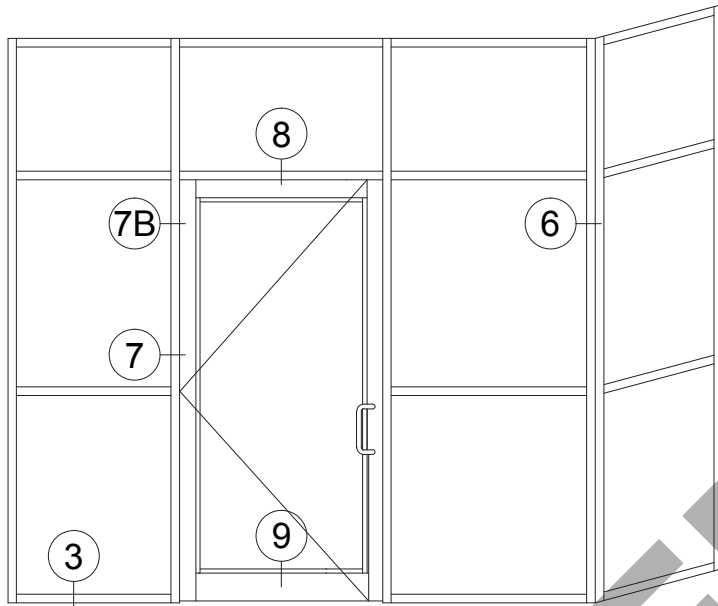


⑤B VERTICAL (HEAVY)

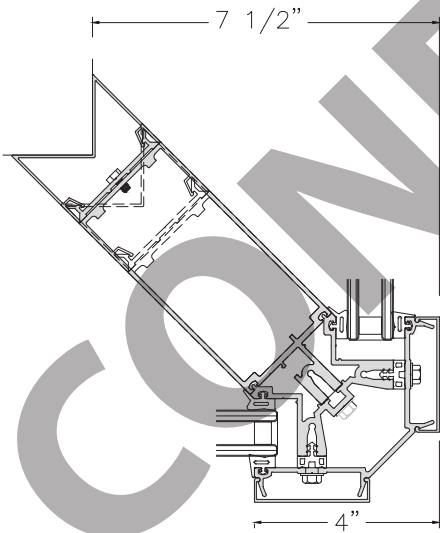


⑤C VERTICAL (BUTT GLAZED)

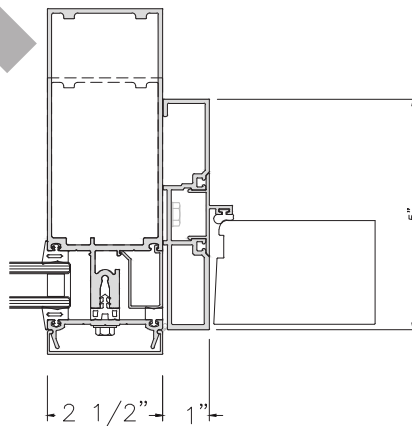




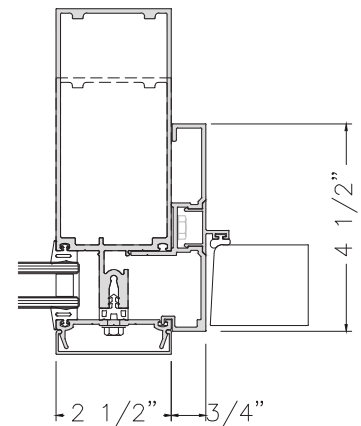
ES-6025
 6" DEEP SYSTEM



6 OUTSIDE CORNER



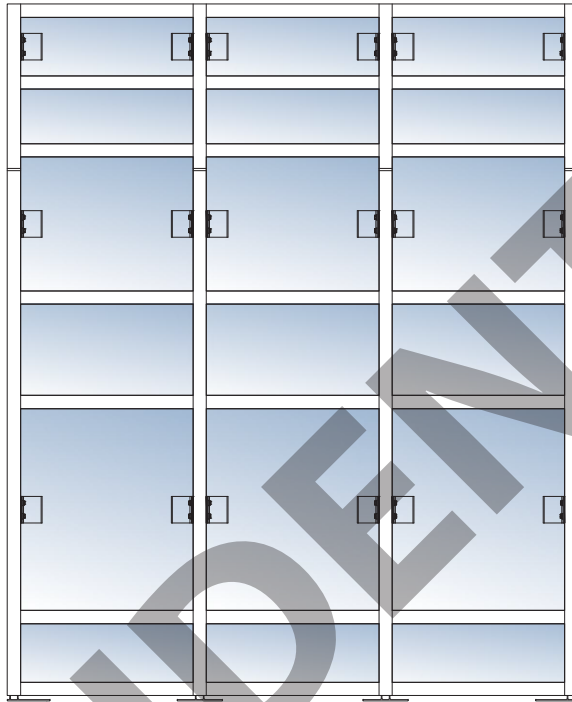
7 DOOR JAMB (IMPACT DOOR)



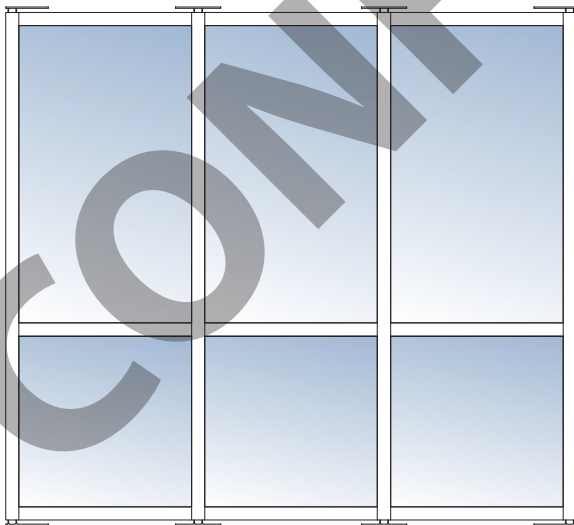
7B DOOR JAMB (STD. DOOR)

CONFIGURATIONS

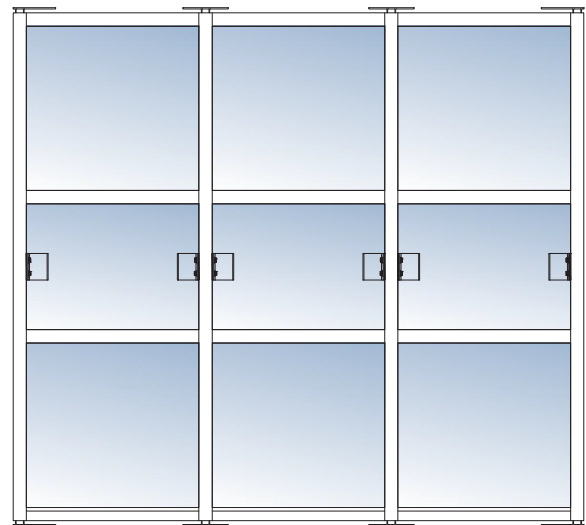
Multi-span



Single span



Twin span



GLASS

GLASS FOR ES-7525

9/16" LAMINATED GLASS
1" INSULATED GLASS (NON IMPACT)
1 5/16" INSULATED-LAMINATED GLASS

GLASS FOR ES-6025

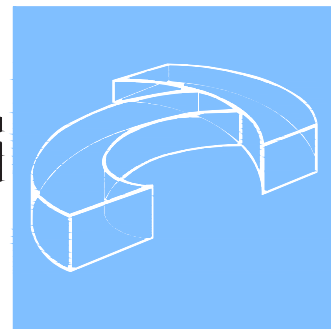
1" INSULATED GLASS
9/16" & 1 5/16" INSULATED LAMINATED GLASS(NON IMPACT)

GLASS FINISH:

PAINTED
SCREEN PRINTED
DIGITAL PRINTED

For more information please contact TECNOGLASS[®] or visit www.tecnoglass.com

TECNOGLASS



ALUMINUM

6063 ALLOY
6005 ALLOY

FINISH

Acrinar Arcadia Silver	UCFX10003W
ESP White	UC67122
Duranar Bone White	UC43350
Polycrom LG Bronze	UC107473
Poycrom III KF-200	UC97603
Duranar Hateras white	UC105261
Duranar Sanibel Sand	UC105189
Duranar Caribbean Creme	UC105191
Policrom Bronze	UC98316
Duranar Bermuda Bronze	UC105262
Duranar Bocatone	UC105190
Duranar Bugle Gray	UC85339
Poycron III Signal White	UC98884



SILICONE

All sealants used by ESWindows are neutral based which guarantees its durability and excellent outside performance. The two types of silicone used are:

STRUCTURAL SILICONE:

Sealant capable of supporting high loads. This silicone is commonly used to support the glass in facades and hurricane resistant products.

- Dowcorning 983
- Dowcorning 995

WEATHER SEALANT SILICONE:

Used to seal profile unions to avoid air and water infiltration. Allows sound control.

- Dowcorning 791 (Black - White)
- Dowcorning 1199

ENERGÍA SOLAR ESWINDOWS

**Av. Circunvalar at 100 mts of Via 40 Las Flores
Barranquilla, Colombia PBX: (57 5) 3664600
service@eswllc.com, PBX: (+1) 305 5074545**

DRAWING BY: J. ZAPATA