

HEAT CONTROLLER, INC.

HAG SERIES AIR HANDLER FOR R-410A WITH OPTIONAL ELECTRIC HEAT

1½ - 5 TONS

Matched to HCI Condensers & Heat Pumps

Can be matched to 13 and 14 SEER systems

Multi-Position Design

Upflow, horizontal right-to-left can be easily converted to horizontal left-to-right airflow without additional parts; can be converted to downflow with field-installed kit

Drain Pan Flexibility

Durable, non-corrosive drain pans have primary and secondary openings for right or left connections, also meet ASHRAE standards for IAQ

Factory Installed A-Coil

Units are A/C ready with installed coil equipped with R-410A thermal expansion valve

Blower Time Delay

Increases cooling efficiency

Slide-Out Blower Assembly

Makes service and maintenance fast, easy

Factory Installed Air Filter

Disposable 1" filter in standard sizes

Cabinet Insulation

Reduces blower noise for quiet operation

Installation Convenience

Can be installed with zero clearance to combustible materials

Refrigeration Coil Connections

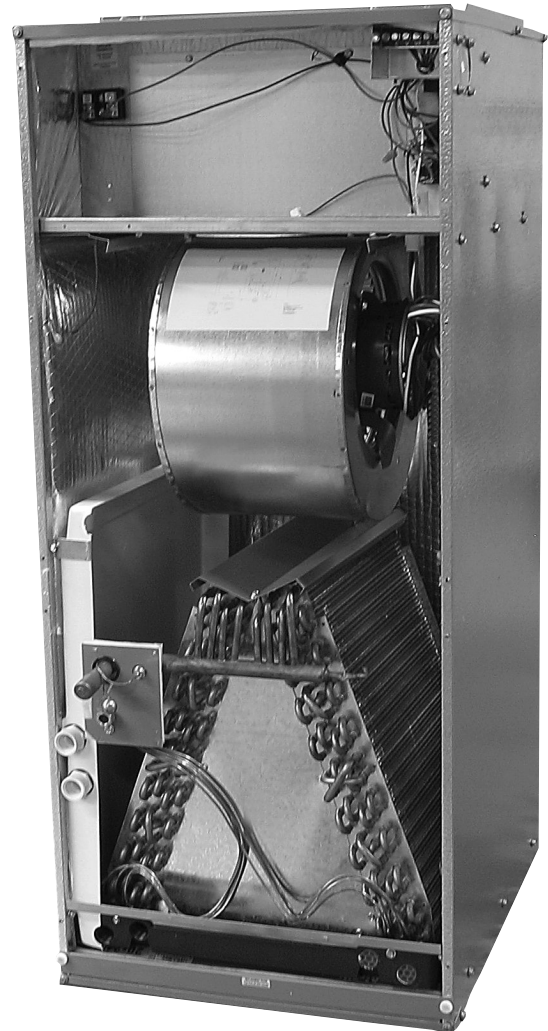
Swaged and factory sealed to maintain nitrogen holding charge

Durable Cabinet

Heavy gauge, embossed galvanized steel substrate for maximum corrosion protection

Electric Heat

Heater kits are available for HAG models



HAG SERIES AIR HANDLER
208/240V
FOR R-410A



HAG AIR HANDLER SPECIFICATIONS

CONDENSING UNITS	AIR HANDLER	NOMINAL TONS	SEER	EER	COOLING CAPACITY (BTU/H)	REQUIRED CFM
RSG1318	HAG24-00-1A	1.5	13.0	11.40	17,900	600
RSG1324	HAG24-00-1A	2.0	13.0	11.15	23,600	800
RSG1330	HAG36-00-1A	2.5	13.0	11.55	29,600	1000
RSG1336	HAG36-00-1A	3.0	13.0	11.50	34,000	1200
RSG1342	HAG48-00-1A	3.5	13.0	11.20	41,500	1400
RSG1348	HAG48-00-1A	4.0	13.0	11.50	47,000	1600
RSG1360	HAG60-00-1A	5.0	13.0	11.10	55,500	2000
RSG1418	HAG24-00-1A	1.5	14.0	12.50	18,000	600
RSG1424	HAG24-00-1A	2.0	14.0	12.00	23,600	800
RSG1430	HAG36-00-1A	2.5	14.0	12.00	29,800	1000
RSG1436	HAG36-00-1A	3.0	14.0	12.00	35,600	1200
RSG1442	HAG48-00-1A	3.5	14.0	12.00	40,500	1400
RSG1448	HAG48-00-1A	4.0	14.0	12.00	47,000	1600
RSG1460	HAG60-00-1A	5.0	14.0	12.00	56,000	2000

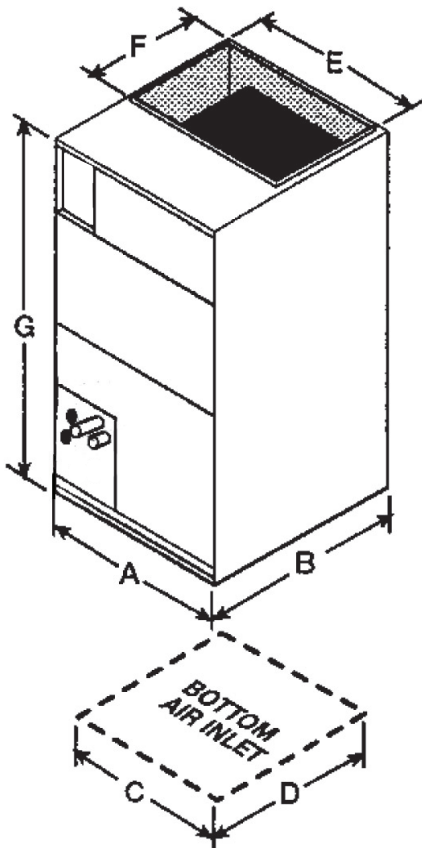
HEAT PUMP	AIR HANDLER	NOMINAL TONS	SEER	EER	COOLING CAPACITY (BTU/H)	HEATING CAPACITY (BTU/H)	HSPF	REQUIRED CFM
HRG1318	HAG24-00-1A	1.5	13.0	11.30	17,600	16,600	7.70	600
HRG1324	HAG24-00-1A	2.0	13.0	10.90	23,600	22,600	7.70	800
HRG1330	HAG36-00-1A	2.5	13.0	10.80	28,400	27,000	7.70	1000
HRG1336	HAG36-00-1A	3.0	13.0	10.95	33,800	32,000	7.70	1200
HRG1342	HAG48-00-1A	3.5	13.0	11.00	40,500	39,500	7.70	1400
HRG1348	HAG48-00-1A	4.0	13.0	10.80	45,500	44,500	7.70	1600
HRG1360	HAG61-00-1A	5.0	13.0	10.95	58,000	57,000	7.70	2000
HRG1418	HAG24-00-1A	1.5	13.0	11.10	18,000	16,000	7.70	600
HRG1424	HAG24-00-1A	2.0	13.0	10.75	23,000	22,000	7.70	800
HRG1430	HAG36-00-1A	2.5	13.0	11.00	28,200	27,000	7.70	1000
HRG1436	HAG36-00-1A	3.0	13.0	11.00	33,800	33,000	7.70	1200
HRG1442	HAG48-00-1A	3.5	13.0	10.90	39,000	37,000	7.70	1400
HRG1448	HAG48-00-1A	4.0	13.0	10.85	45,000	44,000	7.70	1600
HRG1460	HAG61-00-1A	5.0	13.0	11.30	58,000	57,000	7.70	2000

HAG AIR HANDLER BLOWER PERFORMANCE

MODEL	MOTOR@208-230V 60Hz		DWDI BLOWER (DxW)	MOTOR SPEED (TONS)	DUTY	CFM @ ESP (in. W.O.)*				
	HP	FLA				0.1	0.2	0.3	0.4	0.5
HAG24-00-1A	1/4	1.7	10 x 6	H (2.0)	Cool	950	900	850	790	720
				M (1.5)	Cool	850	800	740	680	610
				L	Heat	700	660	610	550	480
HAG36-00-1A	1/3	2.8	10 x 7	H (3.0)	Cool	1250	1200	1120	1060	1000
				M (2.5)	Cool	1070	1020	970	920	860
				L	Heat	900	870	840	790	720
HAG48-00-1A	1/3	3.1	10 x 8	H (4.0)	Cool	1850	1700	1650	1500	1410
				M (3.5)	Cool	1750	1650	1450	1330	1180
				L	Heat	1150	1060	1000	920	810
HAG60-00-1A HAG61-00-1A	3/4	4.8	11 x 9	H (5.0)	Cool	2160	2100	2000	1940	1880
				M (4.5)	Cool	2110	1980	1810	1750	1650
				L	Heat	2000	1860	1670	1340	1200

* **NOTES:** Based upon unit with normal tonnage, dry coil and filter installed. Use 0.96 as approximate CFM correction factor for wet coil

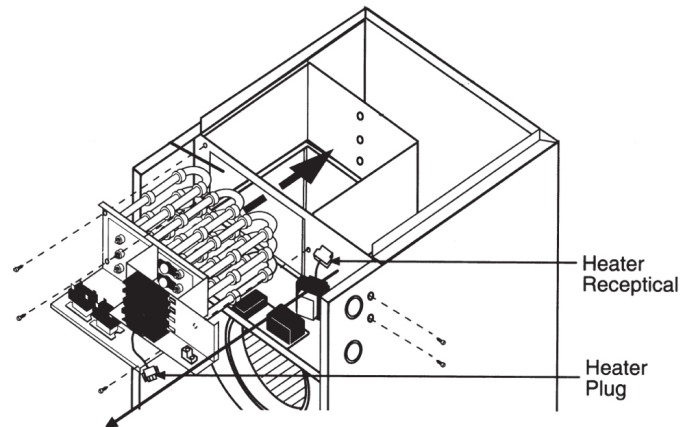
HAG DIMENSIONS (inches)



MODELS	A	B	C	D	E	F	G
HAG24-00-1A	17 ¹ / ₂	21	15	17 ¹ / ₂	16	12 ⁵ / ₈	39 ³ / ₄
HAG36-00-1A	17 ¹ / ₂	21	15	17 ¹ / ₂	16	12 ⁵ / ₈	39 ³ / ₄
HAG48-00-1A	21 ¹ / ₂	25	19 ¹ / ₄	22 ¹ / ₄	19 ⁵ / ₈	17 ¹ / ₄	49 ³ / ₄
HAG60-00-1A	21 ¹ / ₂	25	19 ¹ / ₄	22 ¹ / ₄	19 ⁵ / ₈	17 ¹ / ₄	49 ³ / ₄
HAG61-00-1A	21 ¹ / ₂	25	19 ¹ / ₄	22 ¹ / ₄	19 ⁵ / ₈	17 ¹ / ₄	49 ³ / ₄

DOWNFLOW CONVERSION KIT

MODEL	KIT NUMBER
HAG24, 36	DFK41-14C
HAG48, 60, 61	DFK15-20C



HAG SPECIFICATIONS

MODEL	REF. CONN. SIZES	FILTER SIZE (IN.)	HEATER kW RANGE	MAX. SHIPPING WEIGHT WITH COIL (lbs.)
HAG24-00-1A	3/8 x 3/4	16 x 20 x 1	0-10	118
HAG36-00-1A	3/8 x 3/4	16 x 20 x 1	0-15	118
HAG48-00-1A	3/8 x 7/8	20 x 25 x 1	0-20	180
HAG60-00-1A	3/8 x 7/8	20 x 25 x 1	0-20	180
HAG61-00-1A	3/8 x 7/8	20 x 25 x 1	0-20	180

ELECTRIC HEATER KIT SPECIFICATIONS

MODEL	USED WITH	kW		MINIMUM CIRCUIT AMPACITY		MAX. FUSE OR BREAKER (HACR)	
		240V	208V	240V	208V	240V	208V
N/A	without heat	0	0	2.1	1.9	15	15
7800-305B	HAG24-00-1A	5	3.8	29	25	30	25
7800-306B		8	6.0	44	39	45	40
7800-308B		10	7.5	55	48	60	50
N/A	without heat	0	0	3.5	3.4	15	15
7800-305B	HAG36-00-1A	5	3.8	30	27	30	30
7800-306B		8	6.0	46	40	50	40
7800-308B		10	7.5	56	49	60	50
7800-312B		15	11.3	56/26	49/23	60/30	50/30
N/A	without heat	0	0	4.0	3.9	15	15
7800-313B	HAG48-00-1A	5	3.8	30	27	30	25
7800-314B		8	6.0	46	41	50	45
7800-315B		10	7.5	57	50	60	50
7800-316B		15	11.3	53/30	46/27	60/30	50/30
7800-317B		20	15.0	57/53	50/46	60/60	50/50
N/A	without heat	0	0	6.0	5.9	15	15
7800-313B	HAG60-00-1A	5	3.8	32	29	35	30
7800-314B		8	6.0	48	42	50	45
7800-315B		10	7.5	59	52	60	60
7800-316B		15	11.3	53/32	46/29	60/35	50/30
7800-317B		20	15.0	59/53	52/46	60/60	60/50
N/A	without heat	0	0	8.5	8.5	15	15
7800-305E	HAG61-00-1A	5	3.8	32.8	29.3	40	35
7800-310E		10	7.5	58.9	51.9	70	60
7800-315E		15	11.3	58.9/32.9	51.9/29.3	70/40	60/35
7800-320E		20	15.0	58.9/58.9	51.9/51.9	70/70	60/60
7800-400	4-Pole Jumper Bar Assembly 15 and 20 kW only						

HEAT CONTROLLER, INC.

1900 WELLWORTH AVE., JACKSON MI 49203 • PH. 517-787-2100 • www.heatcontroller.com

The Quality Leader in Conditioning Air