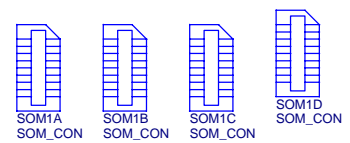


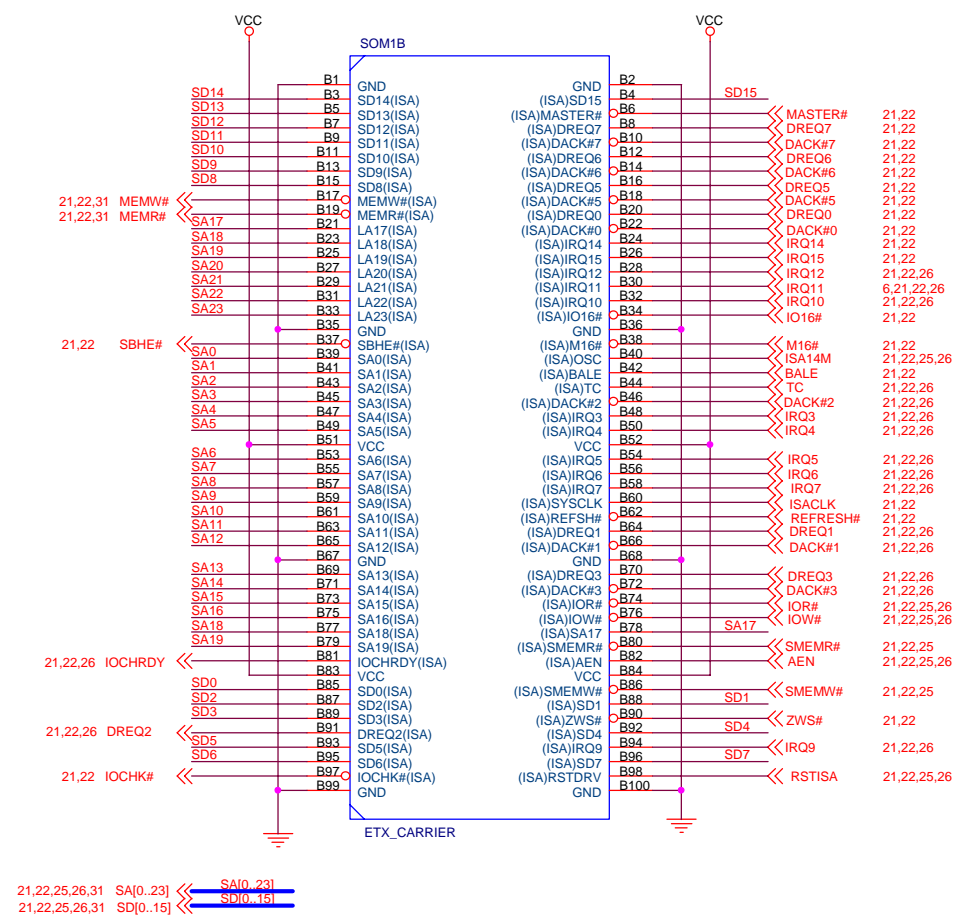
- PCICLK4 << PCICLK4 20
- PCIREQ#3 << PCIREQ#3 20
- PCIGNT#3 << PCIGNT#3 20
- PCICLK3 << PCICLK3 19
- PCIGNT#2 << PCIGNT#2 19
- PCIREQ#2 << PCIREQ#2 19

19,20 AD[0..31] << AD[0..31]

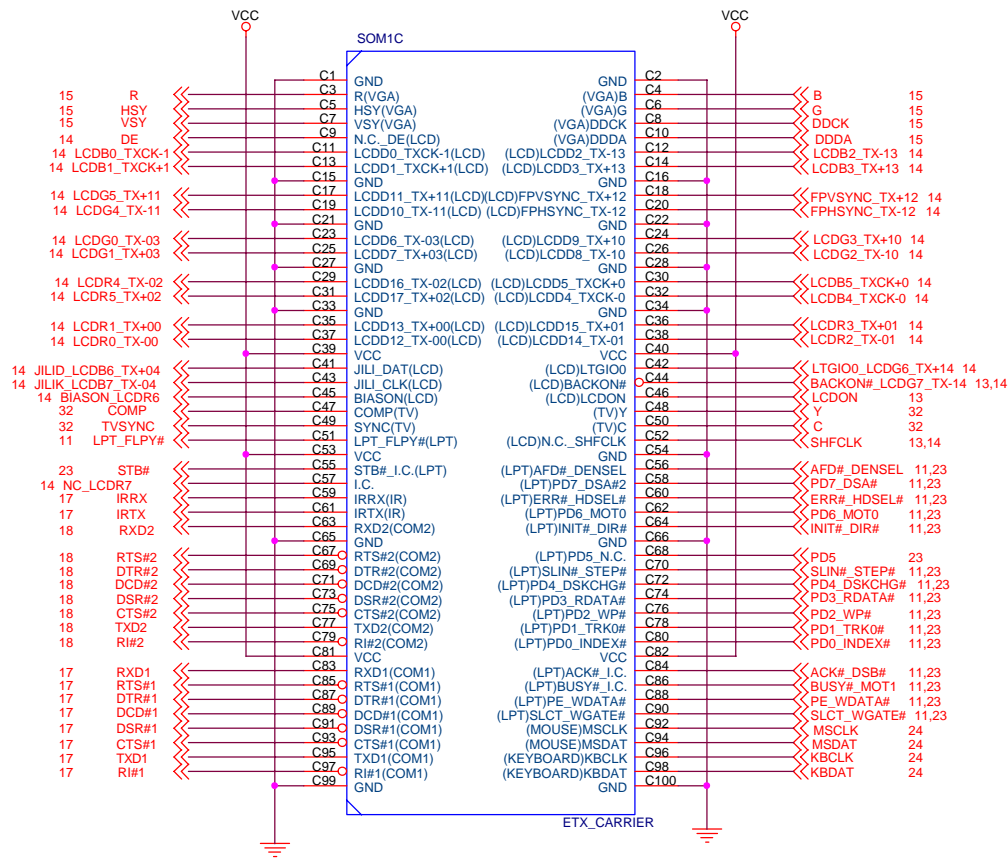


PCB1
1906440003

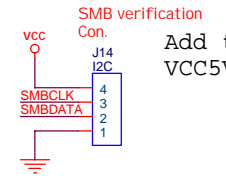
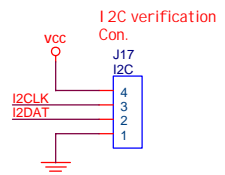
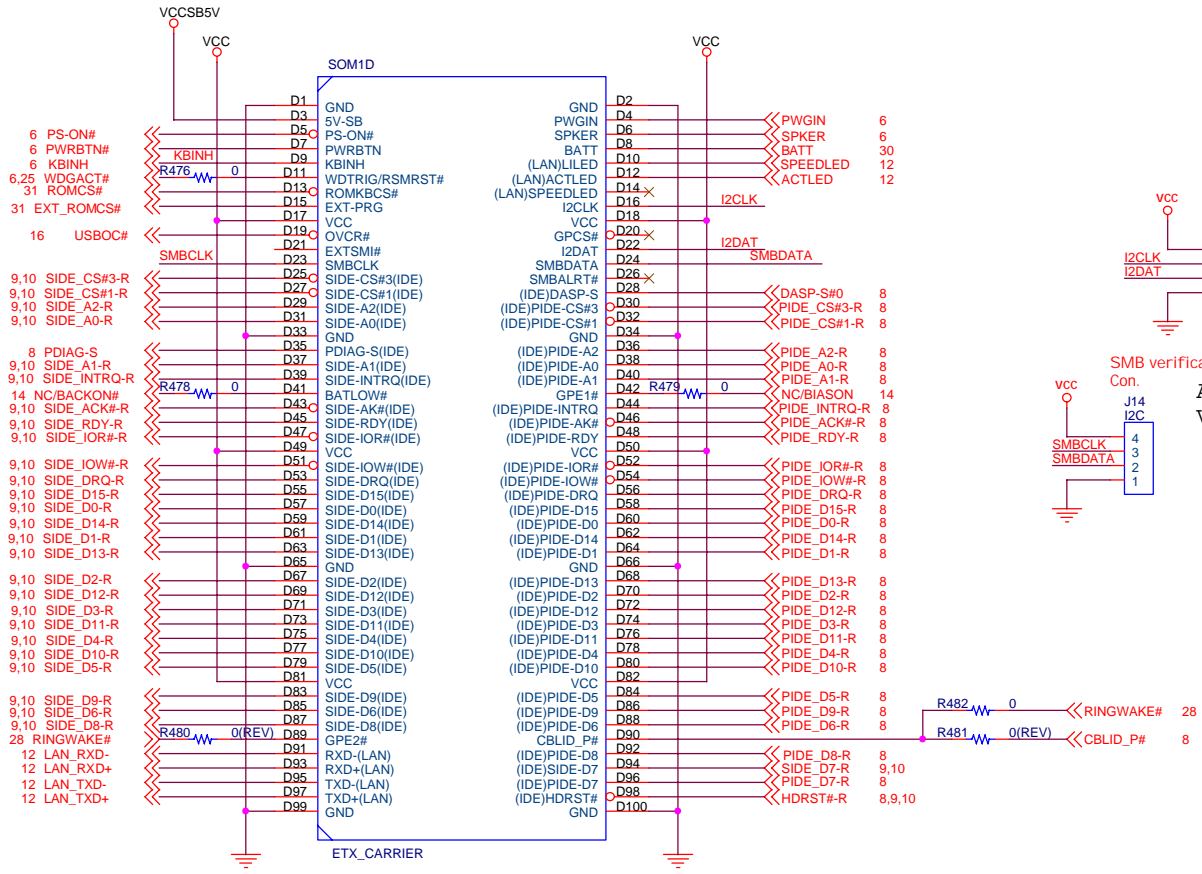
ADVANTECH		
SOM Carrier Connector X1		
Size	Document Number	Rev
	SOM-DB4400 A2 03-1	A2
Date:	Thursday, September 09, 2004	Sheet 2 of 33



ADVANTECH		
Title		
SOM Carrier Connector X2		
Size	Document Number	Rev
	SOM-DB4400 A2 03-1	A2
Date:	Thursday, September 09, 2004	Sheet 3 of 33



ADVANTECH		
SOM Carrier Connector X3		
Title		
Size	Document Number	Rev
	SOM-DB4400 A2 03-1	A2
Date:	Thursday, September 09, 2004	Sheet 4 of 33

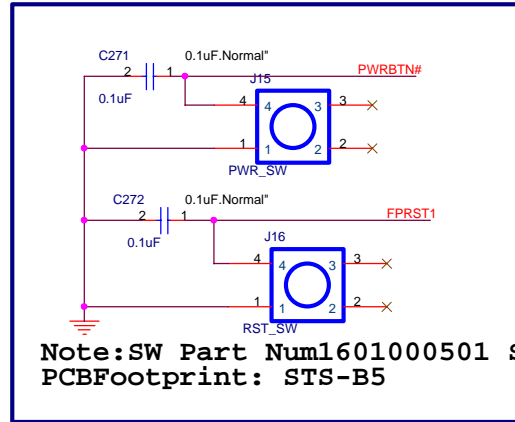
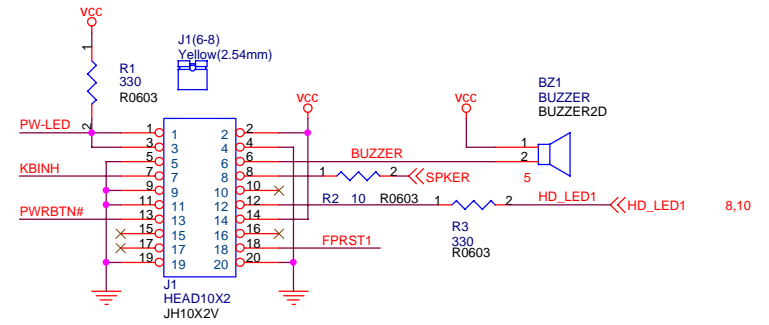
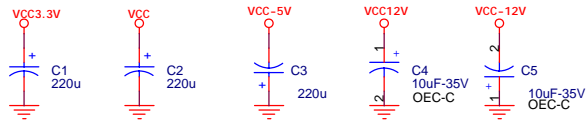
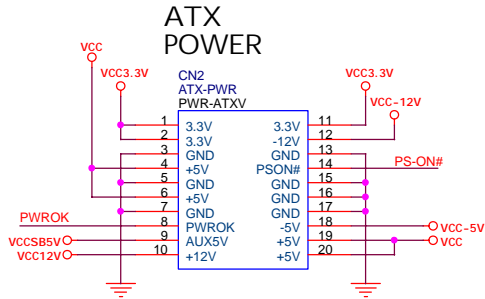


I2C verification
Con.
J17
I2C

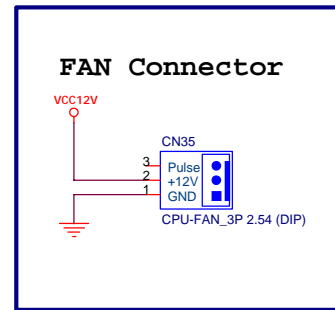
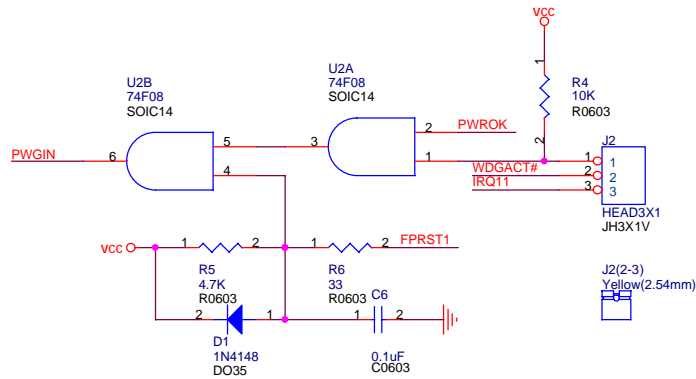
SMB verification
Con.
J14
I2C

Add the SMB & I2C
VCC5V mark

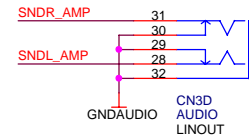
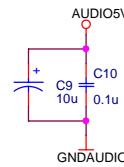
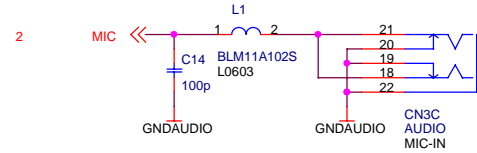
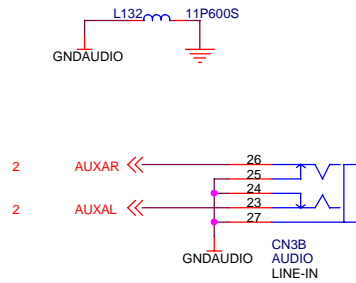
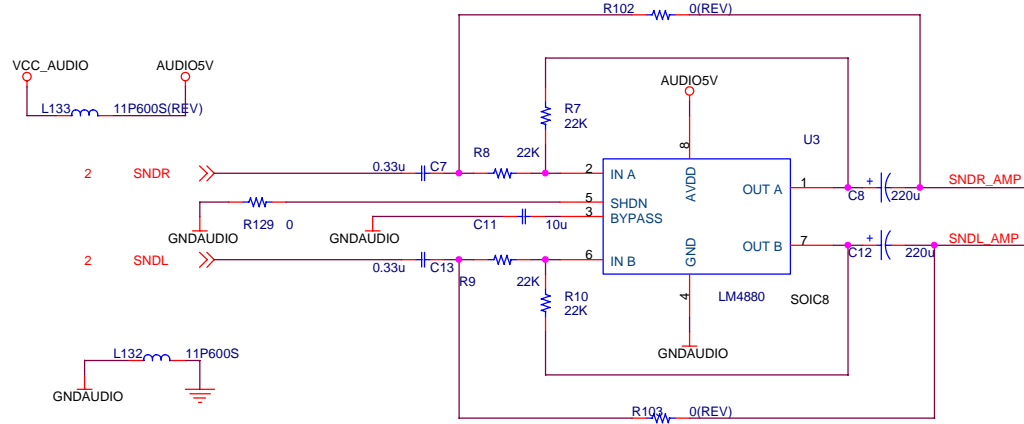
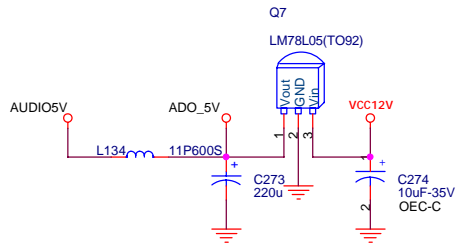
ADVANTECH		
Title SOM Carrier Connector X4		
Size	Document Number SOM-DB4400 A2 03-1	Rev A2
Date:	Thursday, September 09, 2004	Sheet 5 of 33



- LAYOUT NOTE:**
1. Add " + " at BZ1 on the PCB
 2. Add " FAN " at CN35
 3. Add " PWR_SW " at J15, " RST_SW " at J16



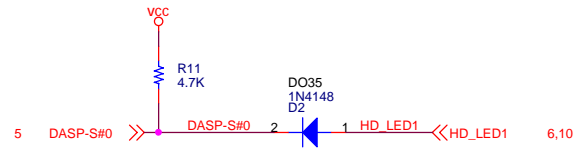
ADVANTECH		
Title		
ATX Power Connector&FAN		
Size	Document Number	Rev
	SOM-DB4400 A2 03-1	A2
Date:	Thursday, September 09, 2004	Sheet 6 of 33



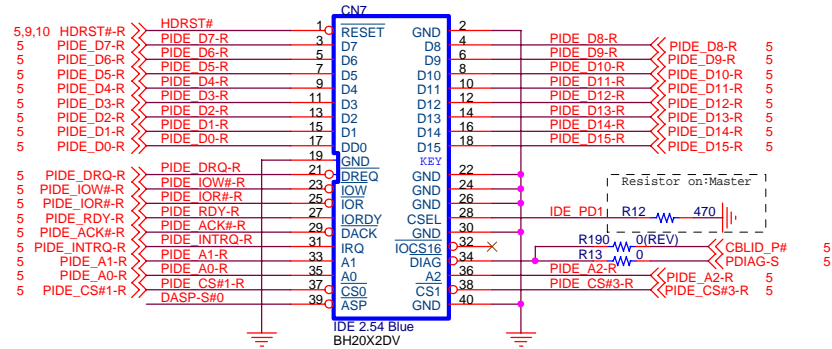
GNDAUDIO connect to GND via Hole

PN: 1652512202 AUDIO CONNECTOR 3IN1
 PN: 1654430100 Include GAME PORT
 PN: 1652505203 Pink, 1652505204 Blue, 1652505205 Green

ADVANTECH		
Title		
AC97 Composite Audio Connector		
Size	Document Number	Rev
	SOM-DB4400 A2 03-1	A2
Date:	Thursday, September 09, 2004	Sheet 7 of 33



PRIMARY IDE Master/Slave



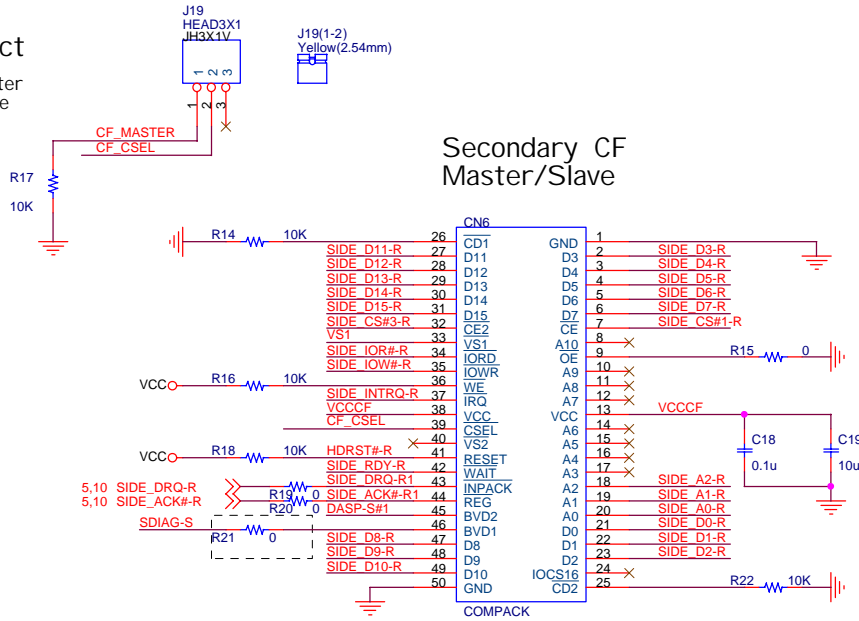
Note: PDIAG-S is for the on board master/slave handshaking signal. If need this function please add this resistor.

ADVANTECH

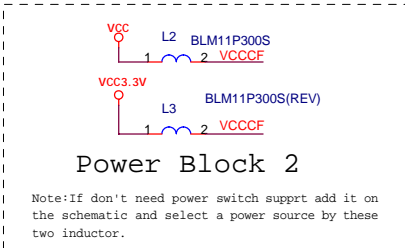
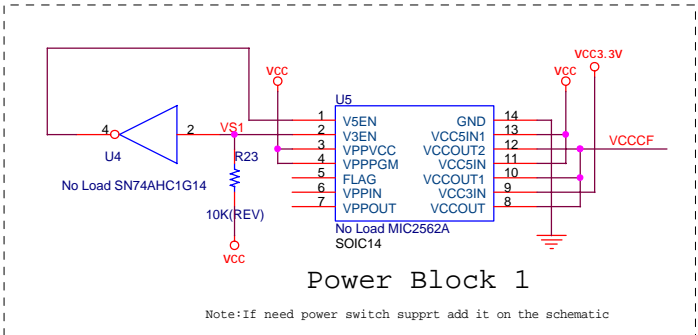
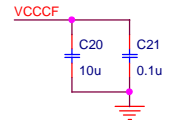
Title		
Primary IDE 40 Pin Master/Slave		
Size	Document Number	Rev
	SOM-DB4400 A2 03-1	A2
Date:	Thursday, September 09, 2004	Sheet 8 of 33

CF select

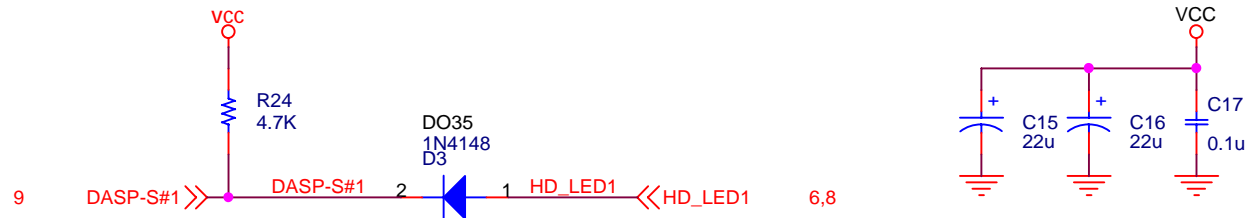
- 1-2 master
- 2-3 slave



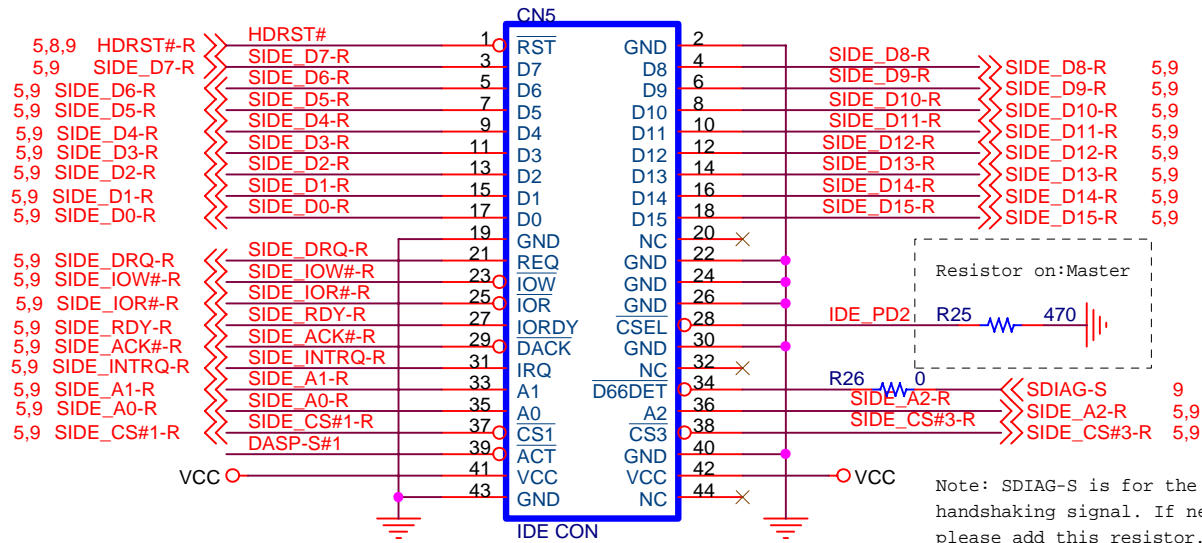
HDRST#-R	≡	HDRST#-R	5,8,10
SIDE D7-R	≡	SIDE_D7-R	5,10
SIDE D6-R	≡	SIDE_D6-R	5,10
SIDE D5-R	≡	SIDE_D5-R	5,10
SIDE D4-R	≡	SIDE_D4-R	5,10
SIDE D3-R	≡	SIDE_D3-R	5,10
SIDE D2-R	≡	SIDE_D2-R	5,10
SIDE D1-R	≡	SIDE_D1-R	5,10
SIDE D0-R	≡	SIDE_D0-R	5,10
SIDE DRQ-R	≡	SIDE_DRQ-R	5,10
SIDE IOW#-R	≡	SIDE_IOW#-R	5,10
SIDE IOR#-R	≡	SIDE_IOR#-R	5,10
SIDE RDY-R	≡	SIDE_RDY-R	5,10
SIDE ACK#-R	≡	SIDE_ACK#-R	5,10
SIDE INTRQ-R	≡	SIDE_INTRQ-R	5,10
SIDE A1-R	≡	SIDE_A1-R	5,10
SIDE A0-R	≡	SIDE_A0-R	5,10
SIDE CS#1-R	≡	SIDE_CS#1-R	5,10
SIDE D8-R	≡	SIDE_D8-R	5,10
SIDE D9-R	≡	SIDE_D9-R	5,10
SIDE D10-R	≡	SIDE_D10-R	5,10
SIDE D11-R	≡	SIDE_D11-R	5,10
SIDE D12-R	≡	SIDE_D12-R	5,10
SIDE D13-R	≡	SIDE_D13-R	5,10
SIDE D14-R	≡	SIDE_D14-R	5,10
SIDE D15-R	≡	SIDE_D15-R	5,10
SDIAG-S	≡	SDIAG-S	10
SIDE A2-R	≡	SIDE_A2-R	5,10
SIDE CS#3-R	≡	SIDE_CS#3-R	5,10
DASP-S#1	≡	DASP-S#1	10



ADVANTECH		
Title Secondary IDE CF		
Size	Document Number SOM-DB4400 A2 03-1	Rev A2
Date:	Thursday, September 09, 2004	Sheet 9 of 33



Secondary IDE Master/Slave



ADVANTECH

Title

Secondary IDE 44 Pin Master/Slave

Size

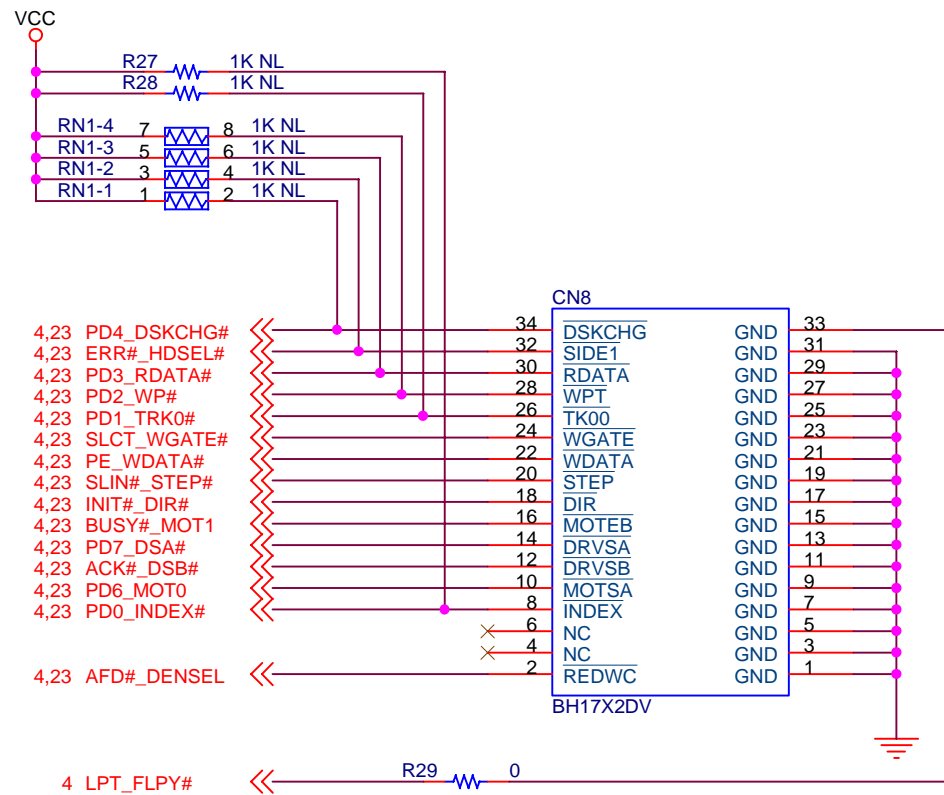
Document Number

SOM-DB4400 A2 03-1

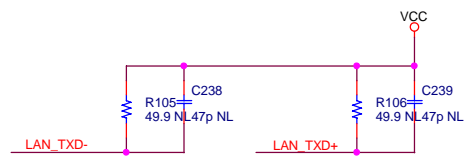
Rev
A2

Date: Thursday, September 09, 2004

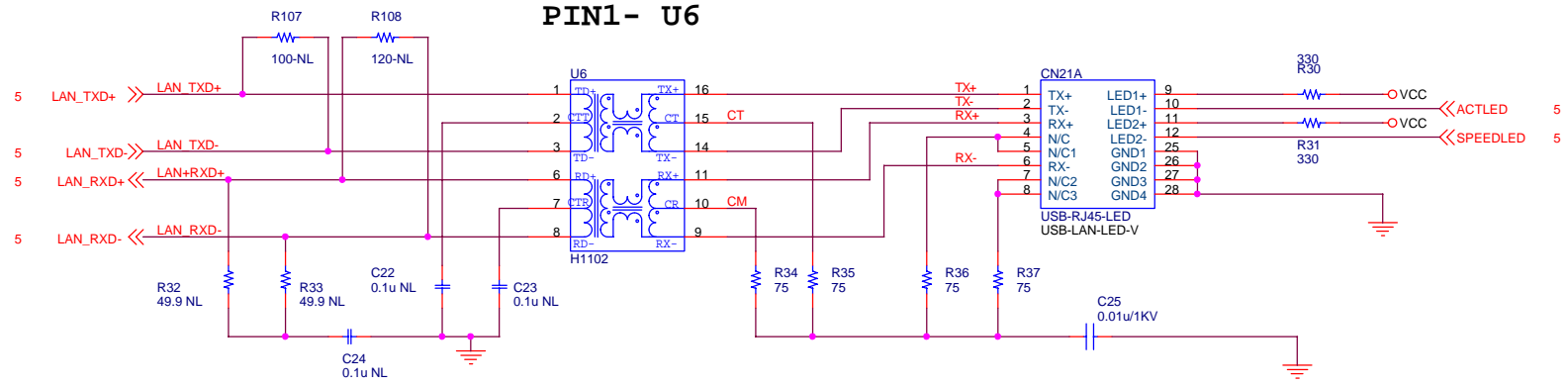
Sheet 10 of 33



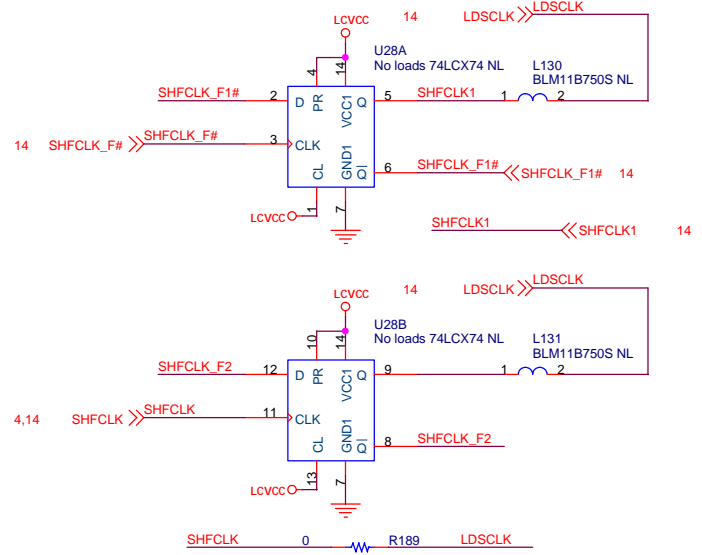
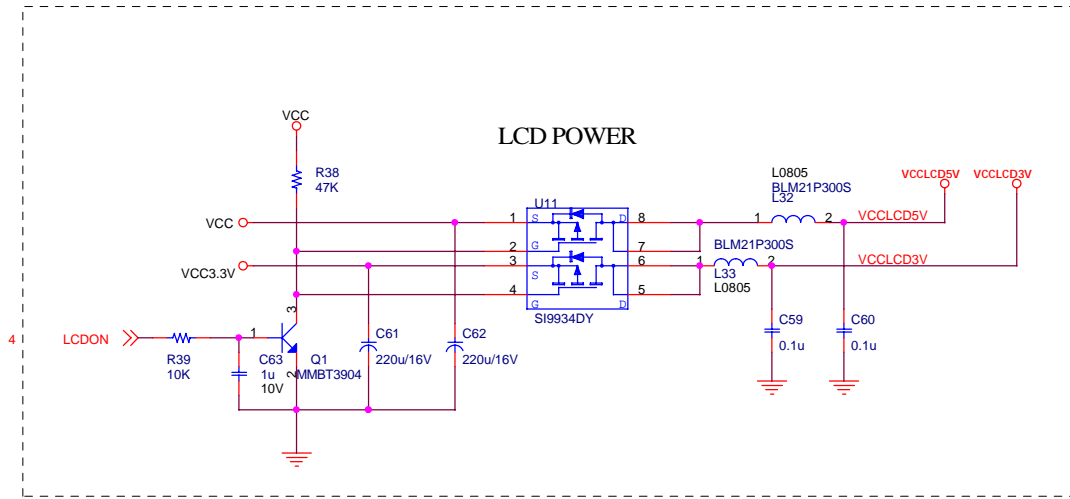
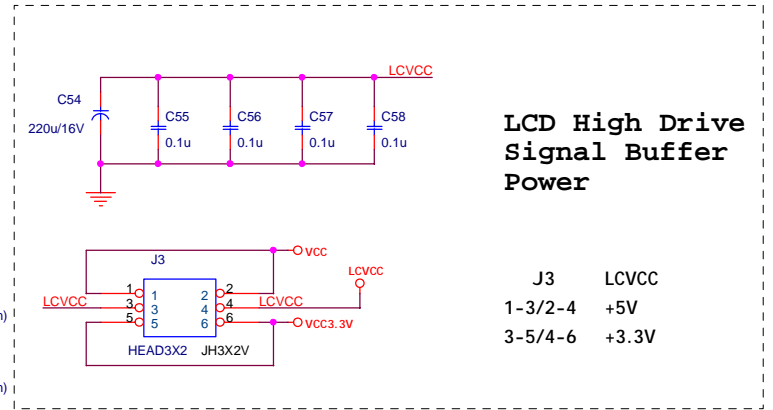
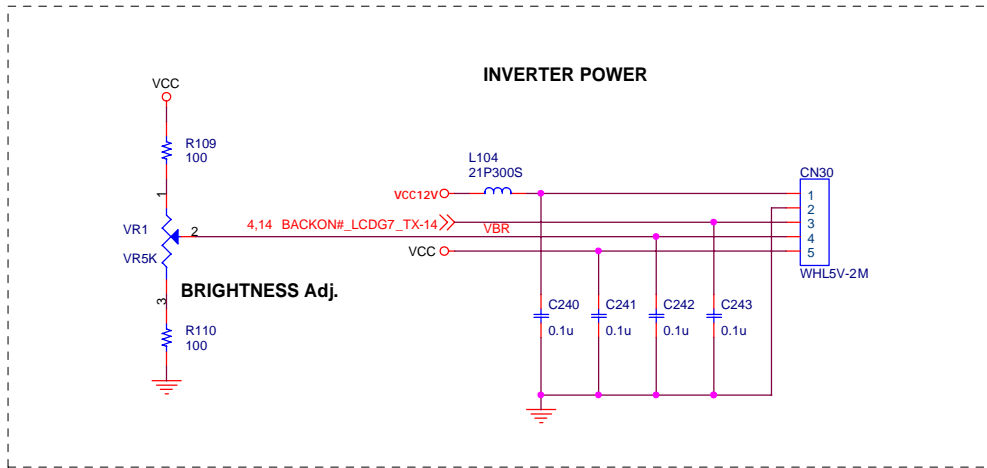
ADVANTECH		
Title FDD STD connector		
Size	Document Number SOM-DB4400 A2 03-1	Rev A2
Date:	Thursday, September 09, 2004	Sheet 11 of 33



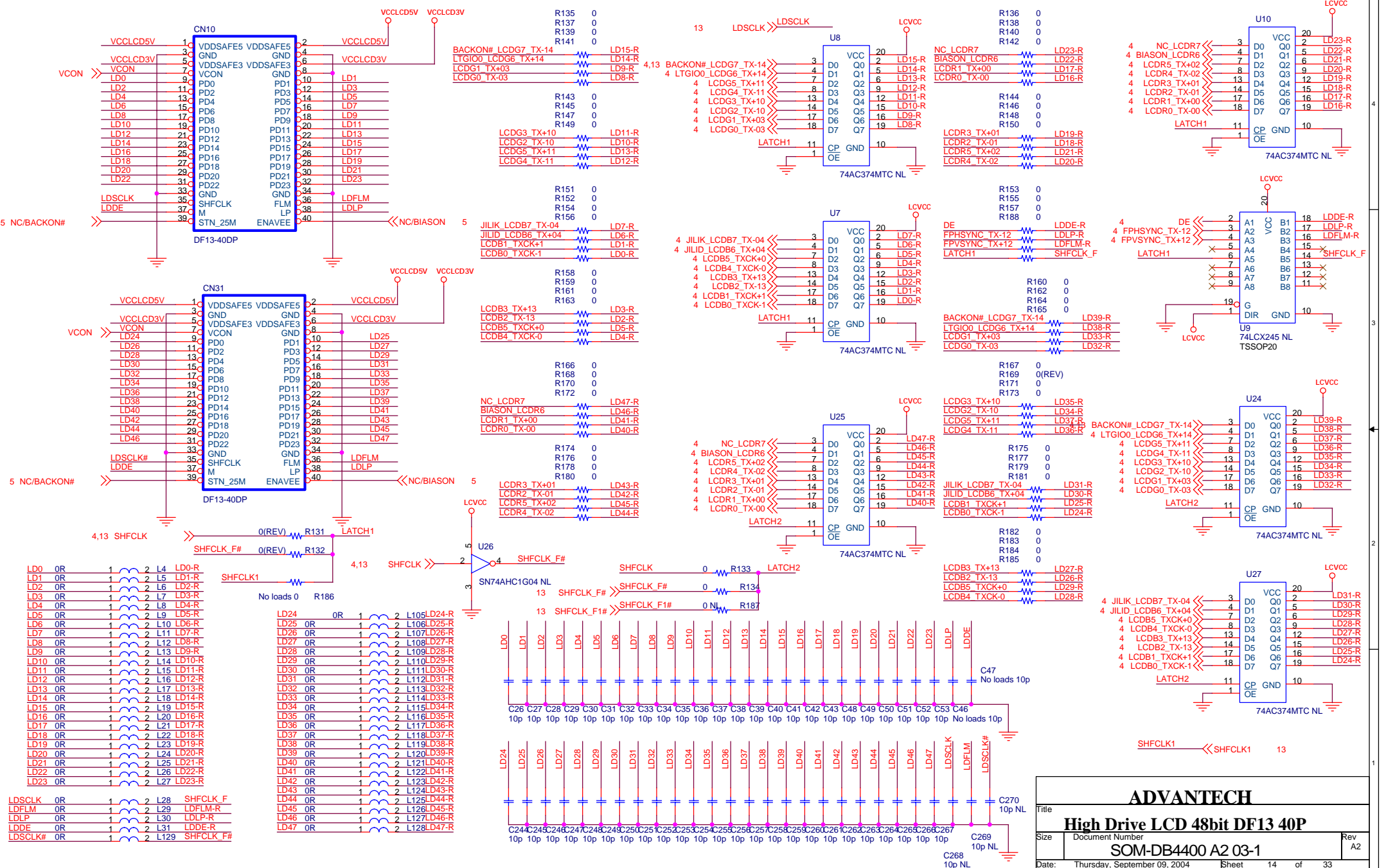
Please Add the
PIN1- U6



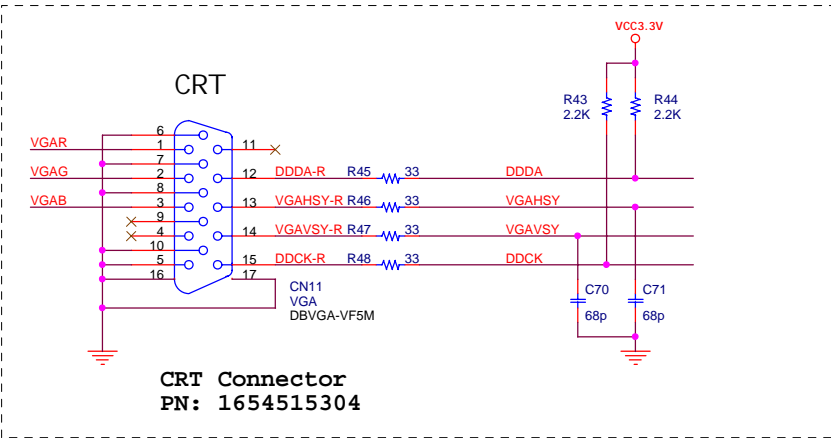
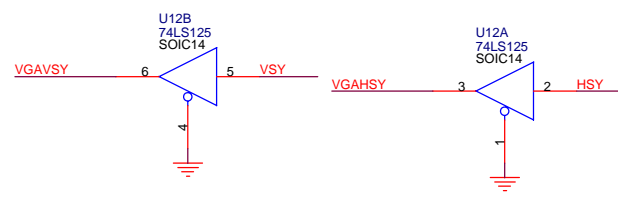
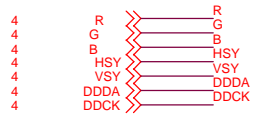
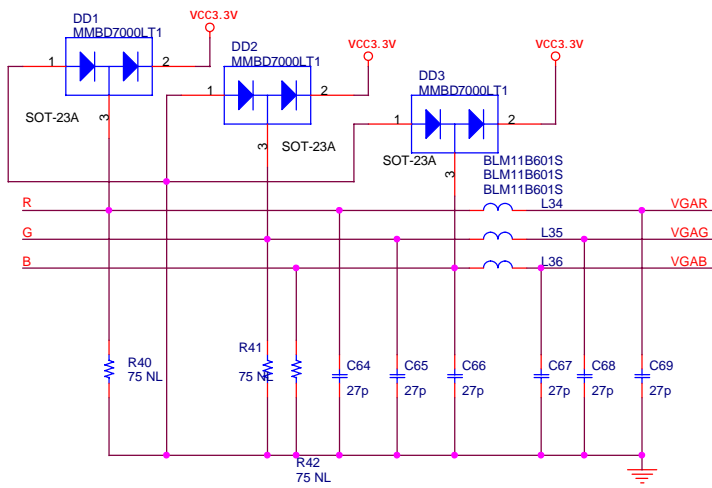
ADVANTECH		
Title		
LAN RJ45 Right Angle connector		
Size	Document Number	Rev
	SOM-DB4400 A2 03-1	A2
Date:	Thursday, September 09, 2004	Sheet 12 of 33



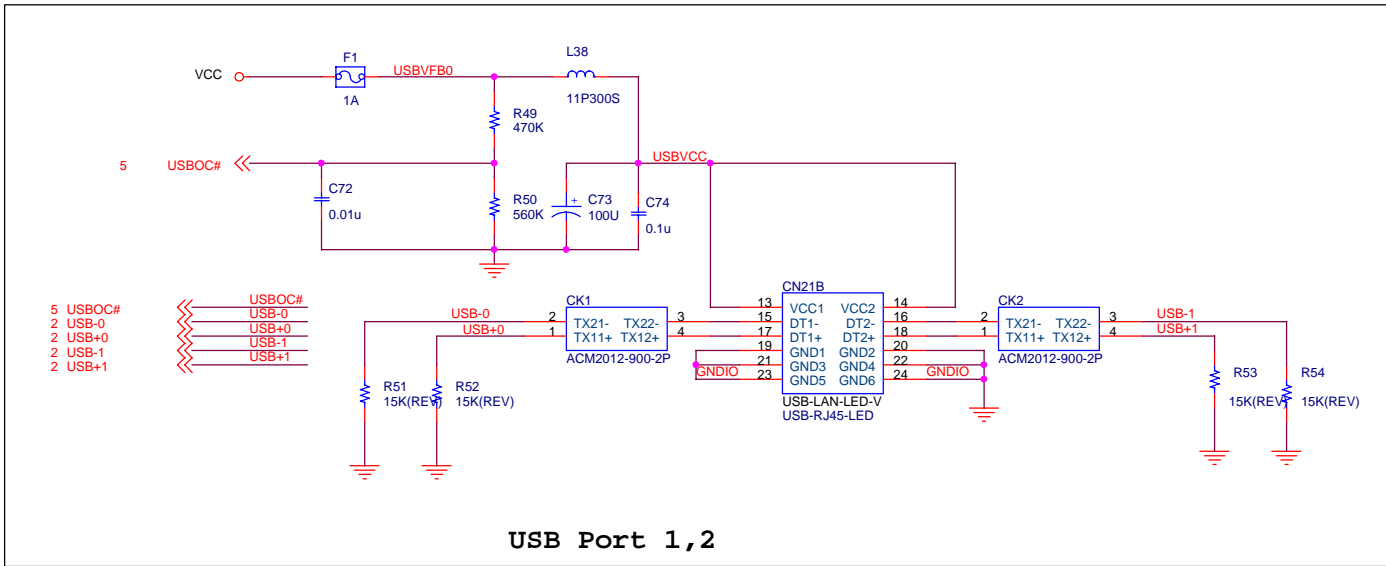
ADVANTECH		
Title		
LCD 48 Power backlight		
Size	Document Number	Rev
	SOM-DB4400 A2 03-1	A2
Date:	Thursday, September 09, 2004	Sheet 13 of 33



ADVANTECH		
High Drive LCD 48bit DF13 40P		
Title	Document Number	Rev
	SOM-DB4400 A2 03-1	A2
Date:	Thursday, September 09, 2004	Sheet 14 of 33

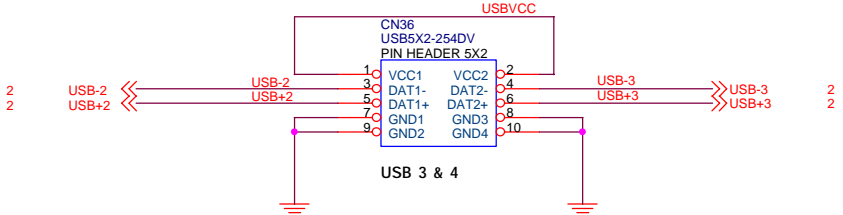


ADVANTECH		
Title		
CRT DB15 right angle		
Size	Document Number	Rev
	SOM-DB4400 A2 03-1	A2
Date:	Thursday, September 09, 2004	Sheet 15 of 33



USB Port 1,2

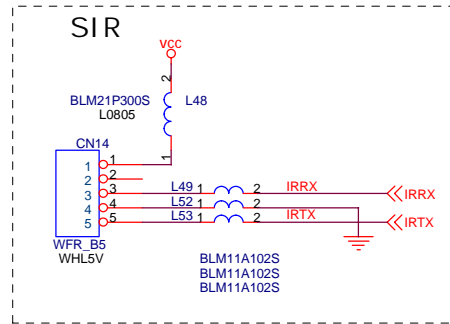
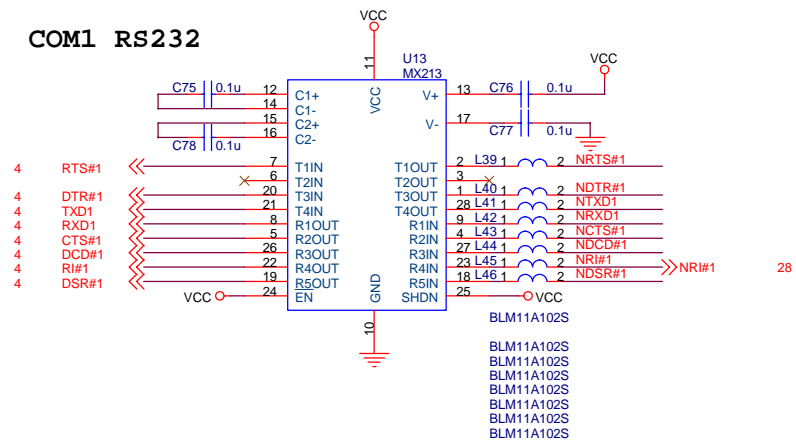
USB Port 3,4



USB 3 & 4

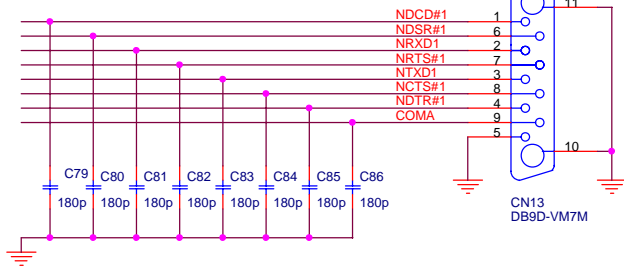
ADVANTECH		
Title		
USB Right Angle Connector		
Size	Document Number	Rev
	SOM-DB4400 A2 03-1	A2
Date:	Thursday, September 09, 2004	Sheet 16 of 33

COM1 RS232



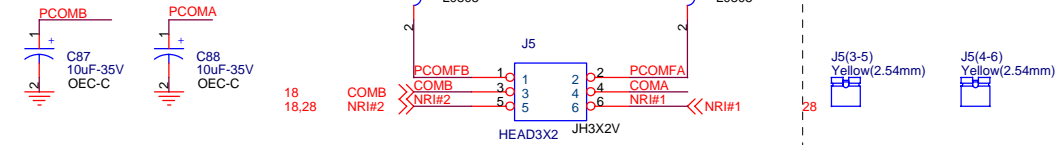
COM1

CN13: PN:1654409113 Footprint: DB9D-VM7M



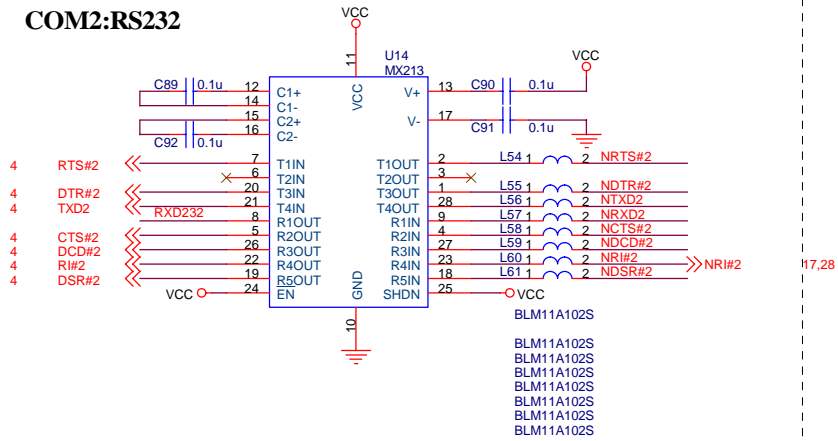
COM 1/COM 2 :

	J1	J2
RING	DON'T CARE	3-5/4-6
VCC	1-3/2-4	1-3/2-4
+12V	3-5/4-6	1-3/2-4

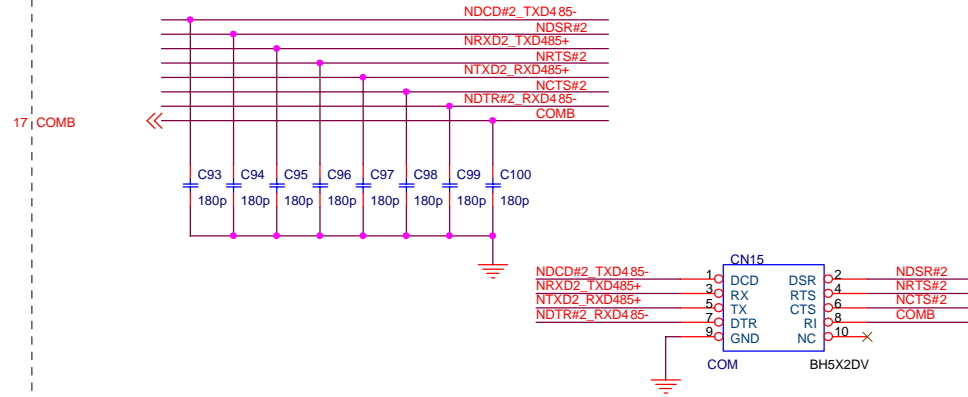


ADVANTECH		
COM1,2 DB25 RA & SIR		
Size	Document Number	Rev
	SOM-DB4400 A2 03-1	A2
Date:	Thursday, September 09, 2004	Sheet 17 of 33

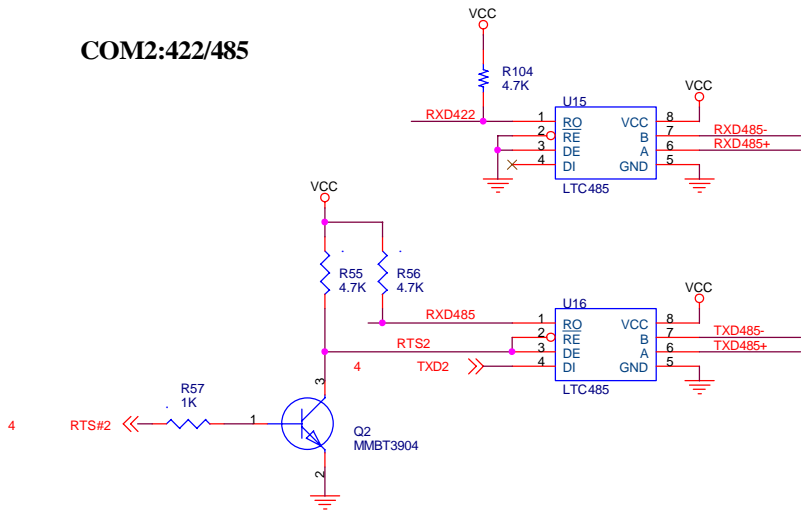
COM2:RS232



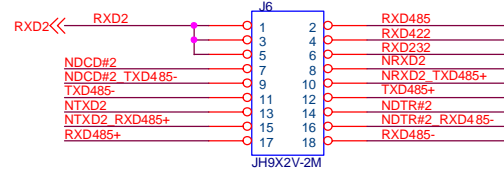
COM2 RS232/422/485



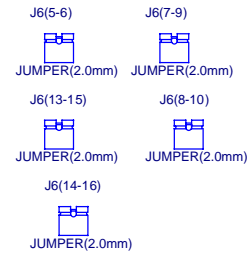
COM2:422/485



COM2 :RS232/422/485 SEL. JUMPER



J6	RS232	RS422	RS485
5-6	3-4	1-2	
7-9	9-11	9-11	
8-10	10-12	10-12	
13-15	15-17	15-17	
14-16	16-18	16-18	

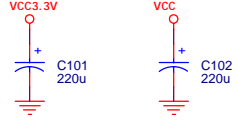


ADVANTECH

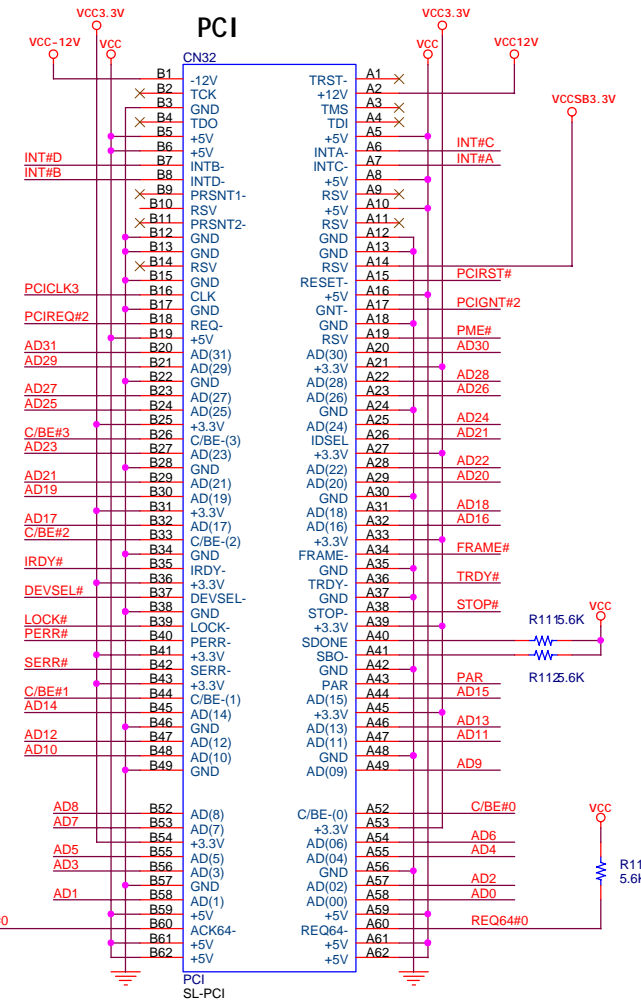
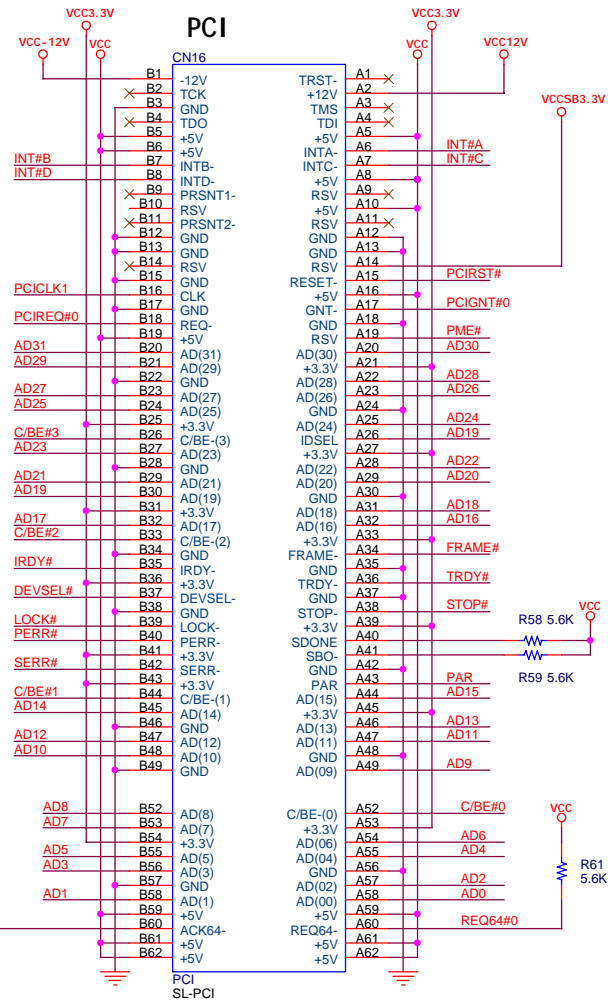
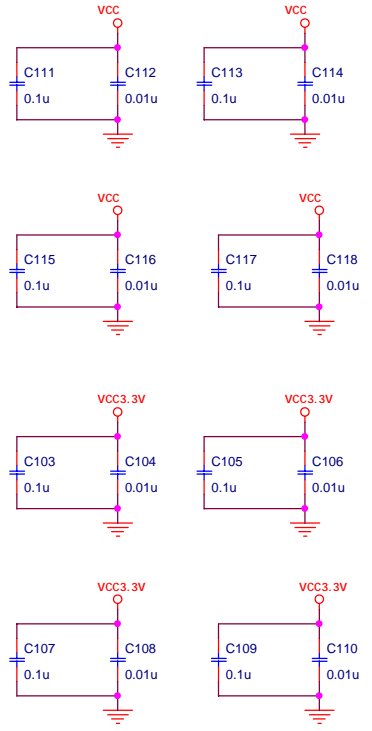
Title
COM2 BOX HEADER 232/422/485

Size Document Number
SOM-DB4400 A2 03-1

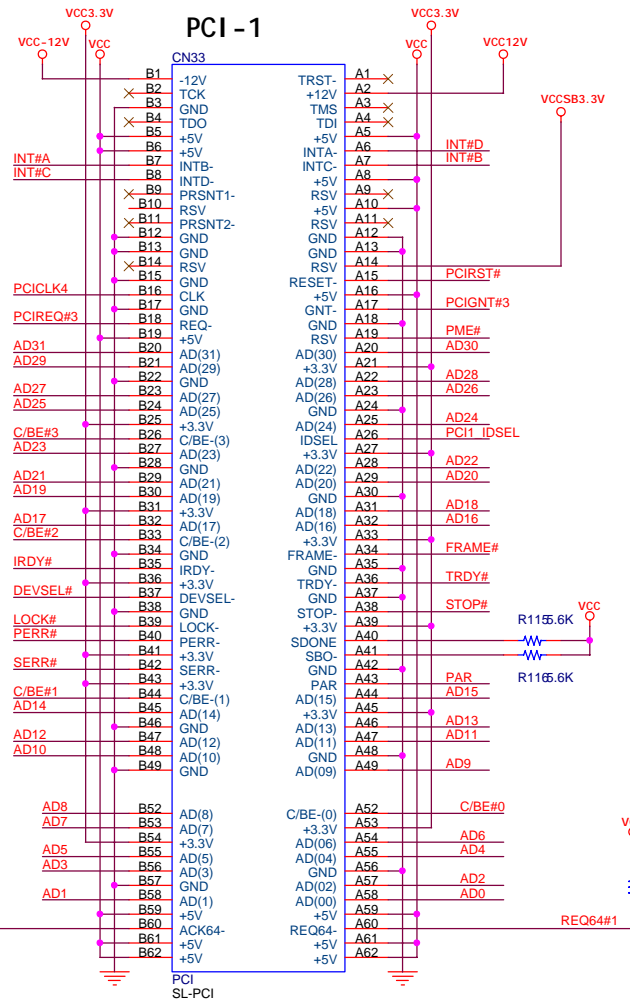
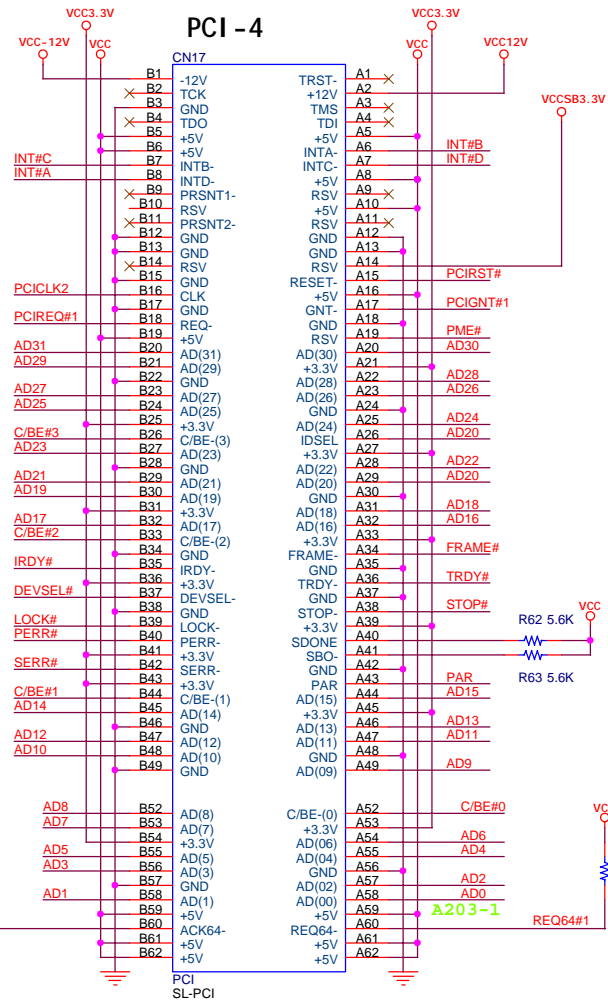
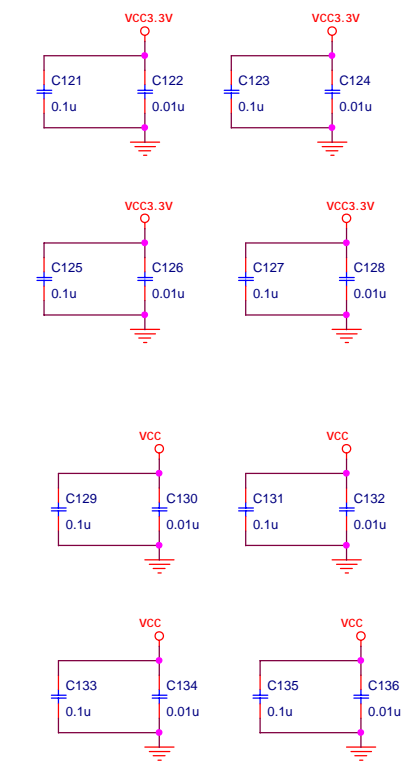
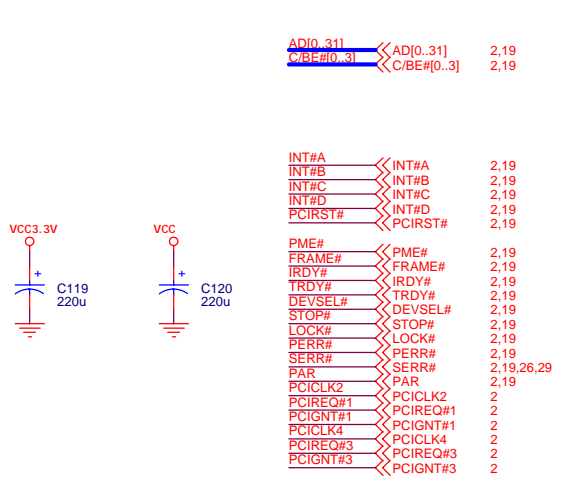
Date: Thursday, September 09, 2004 Sheet 18 of 33 Rev A2



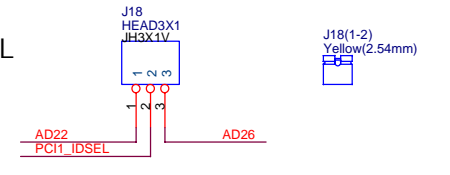
AD[0..31]	AD[0..31]	2,20
C/BE#[0..3]	C/BE#[0..3]	2,20
INT#A	INT#A	2,20
INT#B	INT#B	2,20
INT#C	INT#C	2,20
INT#D	INT#D	2,20
PCIRST#	PCIRST#	2,20
PME#	PME#	2,20
FRAME#	FRAME#	2,20
IRDY#	IRDY#	2,20
TRDY#	TRDY#	2,20
DEVSEL#	DEVSEL#	2,20
STOP#	STOP#	2,20
LOCK#	LOCK#	2,20
PERR#	PERR#	2,20
SERR#	SERR#	2,20,26,29
PAR	PAR	2,20
PCICLK1	PCICLK1	2
PCIGNT#0	PCIGNT#0	2
PCIREQ#0	PCIREQ#0	2
PCICLK3	PCICLK3	2
PCIGNT#2	PCIGNT#2	2
PCIREQ#2	PCIREQ#2	2



ADVANTECH		
PCI Slot 0,2		
Title	SOM-DB4400 A2 03-1	
Size	Document Number	Rev A2
Date:	Thursday, September 09, 2004	Sheet 19 of 33

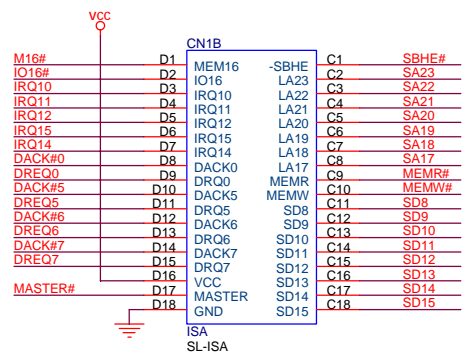
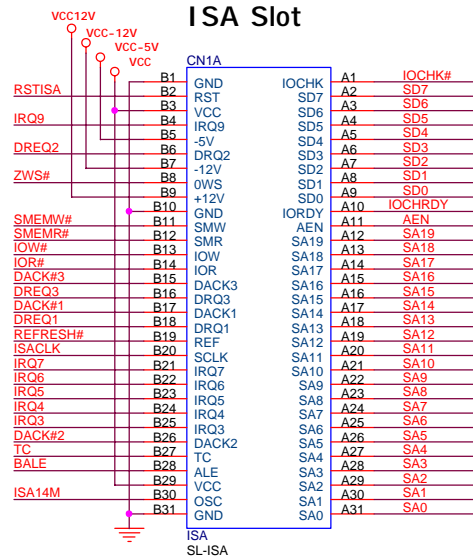
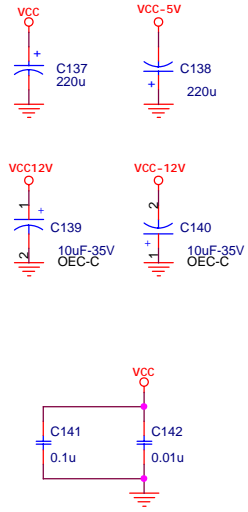


CN33 IDSEL
 1-2 AD22
 2-3 AD26



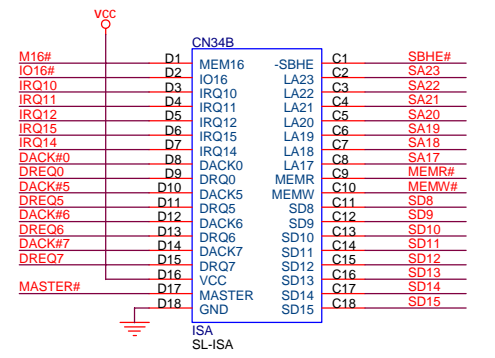
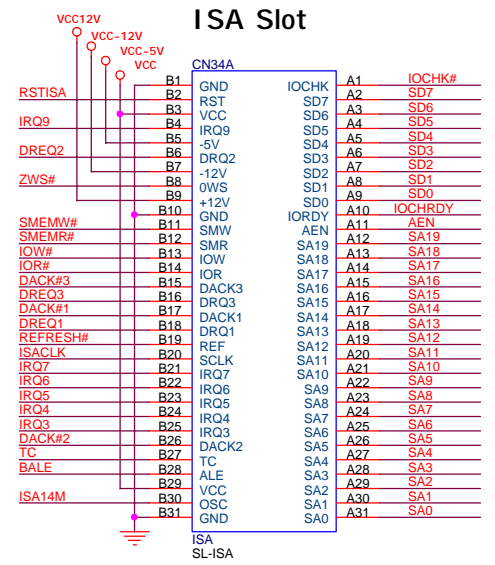
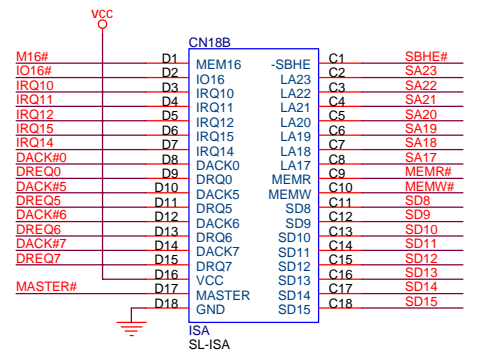
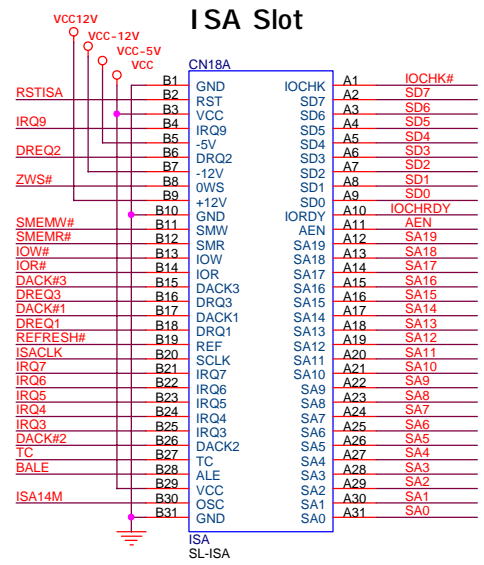
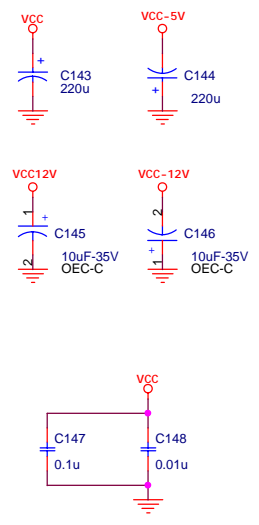
ADVANTECH		
PCI Slot 1,3		
Title	Document Number	
	SOM-DB4400 A2 03-1	
Date:	Thursday, September 09, 2004	Sheet 20 of 33
		Rev A2

IRQ3	<< IRQ3	3,22,26
IRQ4	<< IRQ4	3,22,26
IRQ5	<< IRQ5	3,22,26
IRQ6	<< IRQ6	3,22,26
IRQ7	<< IRQ7	3,22,26
IRQ9	<< IRQ9	3,22,26
IRQ10	<< IRQ10	3,22,26
IRQ11	<< IRQ11	3,6,22,26
IRQ12	<< IRQ12	3,22
IRQ14	<< IRQ14	3,22,26
IRQ15	<< IRQ15	3,22
DREQ0	<< DREQ0	3,22
DREQ1	<< DREQ1	3,22,26
DREQ2	<< DREQ2	3,22,26
DREQ3	<< DREQ3	3,22,26
DREQ5	<< DREQ5	3,22
DREQ6	<< DREQ6	3,22
DREQ7	<< DREQ7	3,22
DACK#0	<< DACK#0	3,22
DACK#1	<< DACK#1	3,22,26
DACK#2	<< DACK#2	3,22,26
DACK#3	<< DACK#3	3,22,26
DACK#5	<< DACK#5	3,22
DACK#6	<< DACK#6	3,22
DACK#7	<< DACK#7	3,22
IOCHK#	<< IOCHK#	3,22
IOCHRDY	<< IOCHRDY	3,22,26
AEN	<< AEN	3,22,25,26
SD[0..15]	<< SD[0..15]	3,22,25,26,31
SA[0..23]	<< SA[0..23]	3,22,25,26,31
SBHE#	<< SBHE#	3,22
MEMR#	<< MEMR#	3,22,31
MEMW#	<< MEMW#	3,22,31
M16#	<< M16#	3,22
IO16#	<< IO16#	3,22
MASTER#	<< MASTER#	3,22
RSTISA	<< RSTISA	3,22,25,26
ZWS#	<< ZWS#	3,22,25,26
SMEMR#	<< SMEMR#	3,22
SMEMW#	<< SMEMW#	3,22,25
IOW#	<< IOW#	3,22,25,26
IOR#	<< IOR#	3,22,25,26
REFRESH#	<< REFRESH#	3,22
ISACK	<< ISACK	3,22
TC	<< TC	3,22,26
BALE	<< BALE	3,22
ISA14M	<< ISA14M	3,22,25,26

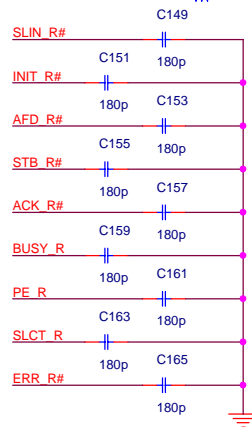
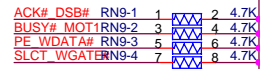
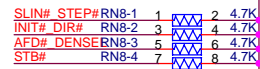
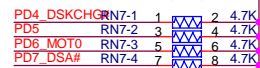
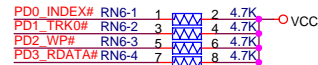
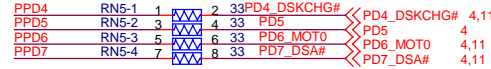
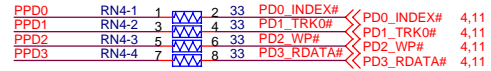
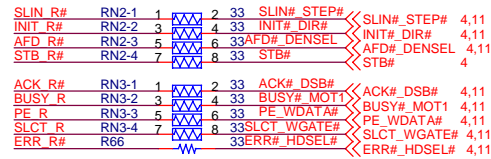
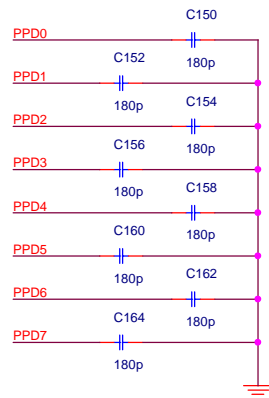
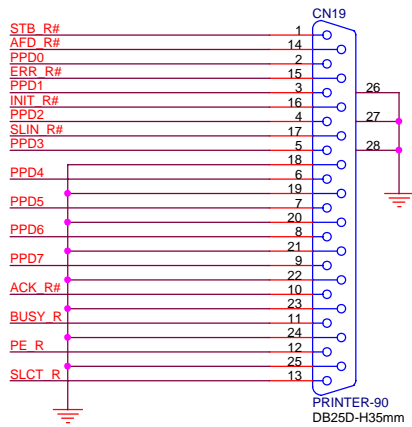


ADVANTECH		
Title		
ISA Slot		
Size	Document Number	Rev
	SOM-DB4400 A2 03-1	A2
Date:	Thursday, September 09, 2004	Sheet 21 of 33

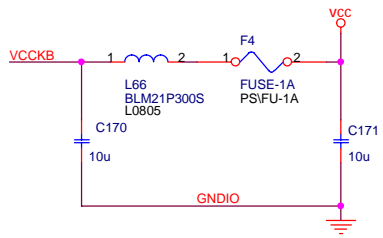
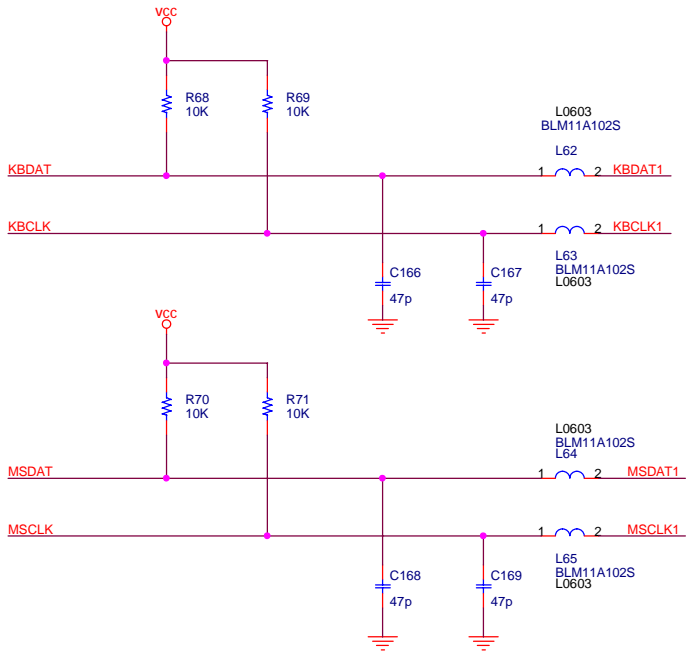
IRQ3	IRQ3	3,21,26
IRQ4	IRQ4	3,21,26
IRQ5	IRQ5	3,21,26
IRQ6	IRQ6	3,21,26
IRQ7	IRQ7	3,21,26
IRQ9	IRQ9	3,21,26
IRQ10	IRQ10	3,21,26
IRQ11	IRQ11	3,21,26
IRQ12	IRQ12	3,6,21,26
IRQ14	IRQ14	3,21
IRQ15	IRQ15	3,21
DREQ0	DREQ0	3,21,26
DREQ1	DREQ1	3,21,26
DREQ2	DREQ2	3,21,26
DREQ3	DREQ3	3,21,26
DREQ5	DREQ5	3,21
DREQ6	DREQ6	3,21
DREQ7	DREQ7	3,21
DACK#0	DACK#0	3,21
DACK#1	DACK#1	3,21,26
DACK#2	DACK#2	3,21,26
DACK#3	DACK#3	3,21,26
DACK#5	DACK#5	3,21
DACK#6	DACK#6	3,21
DACK#7	DACK#7	3,21
IOCHK#	IOCHK#	3,21
IOCHRDY	IOCHRDY	3,21,26
AEN	AEN	3,21,25,26
SDI0..15]	SDI0..15]	3,21,25,26,31
SAI0..23]	SAI0..23]	3,21,25,26,31
SBHE#	SBHE#	3,21
MEMR#	MEMR#	3,21,31
MEMW#	MEMW#	3,21,31
M16#	M16#	3,21
IO16#	IO16#	3,21
MASTER#	MASTER#	3,21
RSTISA	RSTISA	3,21
ZWS#	ZWS#	3,21,25,26
SMEMW#	ZWS#	3,21
SMEMR#	SMEMW#	3,21,25
SMEMR#	SMEMR#	3,21,25
IOW#	IOW#	3,21,25,26
IOR#	IOR#	3,21,25,26
REFRESH#	REFRESH#	3,21
ISACLK	ISACLK	3,21
TC	TC	3,21,26
BALE	BALE	3,21
ISA14M	ISA14M	3,21,25,26



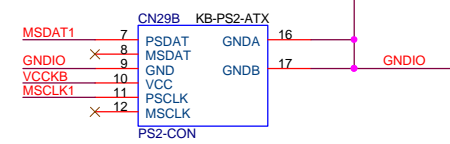
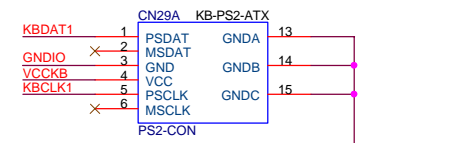
ADVANTECH		
Title ISA Slot		
Size	Document Number SOM-DB4400 A2 03-1	Rev A2
Date:	Thursday, September 09, 2004	Sheet 22 of 33



ADVANTECH		
Title Parallel Port DB25 High 90 conn		
Size	Document Number SOM-DB4400 A2 03-1	Rev A2
Date:	Thursday, September 09, 2004	Sheet 23 of 33

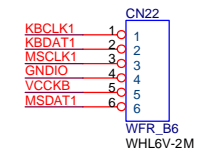


KBD/MS PS/2



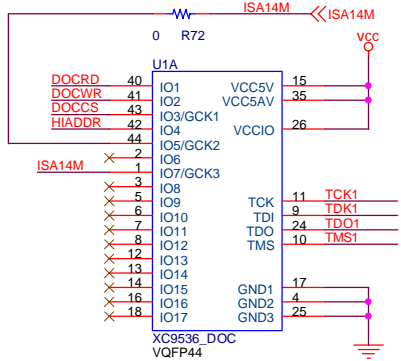
KBD/MS PS/2

KBD/MS CONN 2.0mm

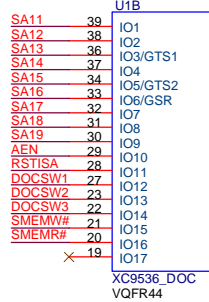


ADVANTECH		
Title		
PS2 MINIDIN6&6PIN WAFER		
Size	Document Number	Rev
	SOM-DB4400 A2 03-1	A2
Date:	Thursday, September 09, 2004	Sheet 24 of 33

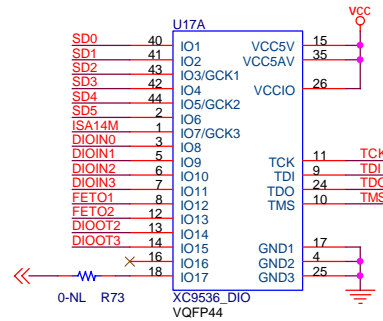
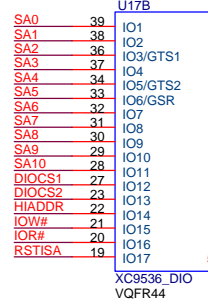
DOC2000



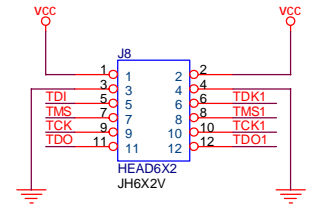
3,21,22,26



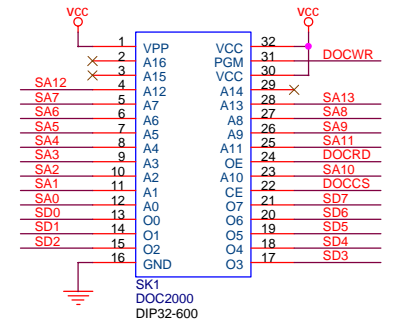
WDT/DIO



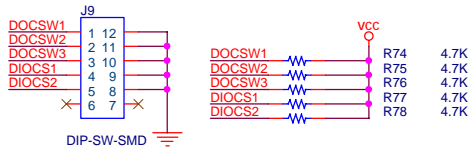
Note:IF need watch dog function support on the SOM module please set resistor on.



DOC2000 SOCKET



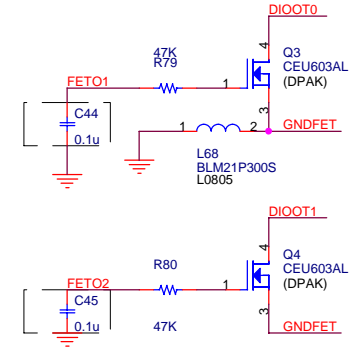
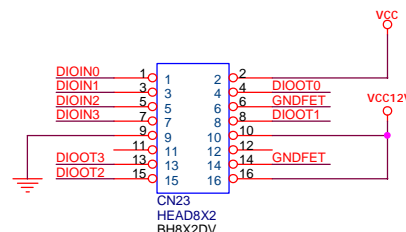
DOC2000/DIO ADDRESS SELECT



J1	DOC2000
1-2/3-4/5-6	C800
3-4/5-6	CA00
1-2/5-6	CC00
5-6	CE00
1-2/3-4	D000
3-4	D200
1-2	D400
NC	D600*
DIO	
NC	200
7-8	210
9-10	220
7-8/9-10	230*

Setting DOC2000 Seg. and DIO address
 -HAADDR ==> SA19 - SA11 = 0H
 DOCCS ==> SA19 - SA12
 C8000 D0000
 CA000 D2000
 CC000 D4000
 CE000 D6000

Digital I/O Connector

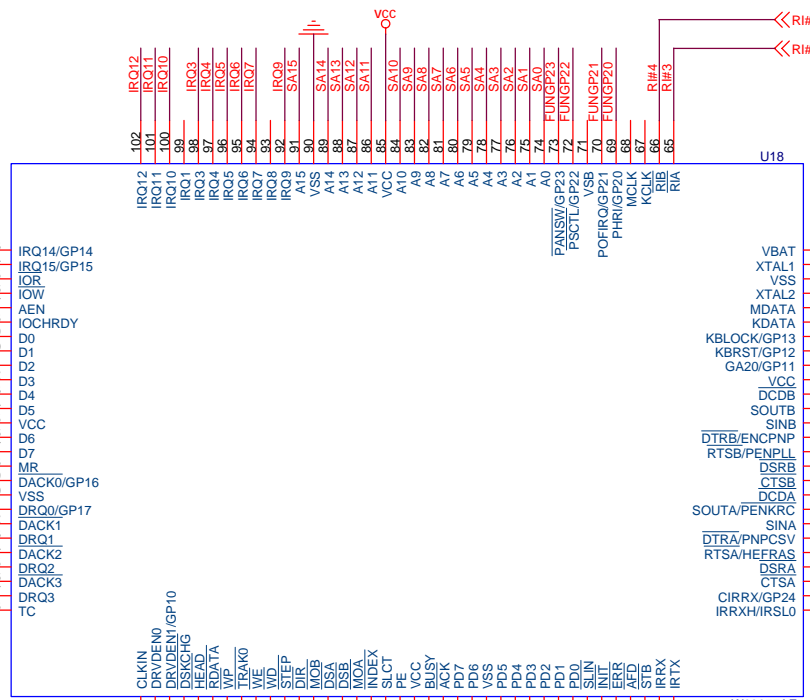


2002/5/10
 Add. C44 and C45

ISA14M	<< ISA14M	3,21,22,26
SMEMW#	<< SMEMW#	3,21,22
SMEMR#	<< SMEMR#	3,21,22
IOW#	<< IOW#	3,21,22,26
IOR#	<< IOR#	3,21,22,26
AEN	<< AEN	3,21,22,26
RSTISA	<< RSTISA	3,21,22,26

SA[0..23]	<< SA[0..23]	3,21,22,26,31
SD[0..15]	<< SD[0..15]	3,21,22,26,31

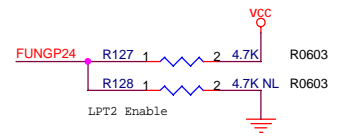
ADVANTECH		
Title		
WDG & DIO & DOC2000		
Size	Document Number	Rev
	SOM-DB4400 A2 03-1	A2
Date:	Thursday, September 09, 2004	Sheet 25 of 33



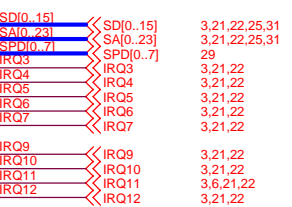
3,21,22,25 IOR#
 3,21,22,25 IOW#
 3,21,22,25 AEN
 3,21,22 IOCHRDY

3,21,22,25 RSTISA
 3,21,22 DACK#1
 3,21,22 DREQ1

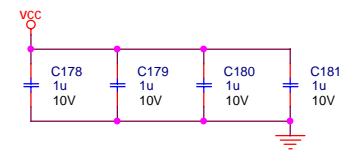
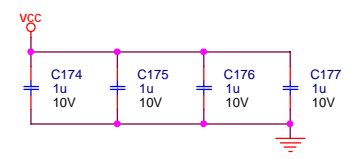
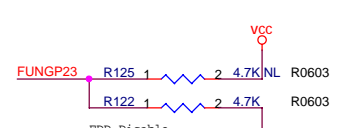
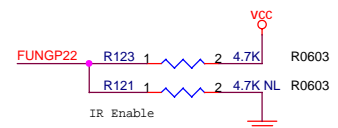
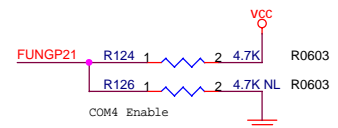
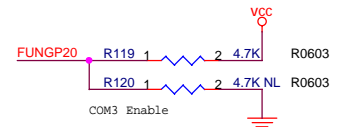
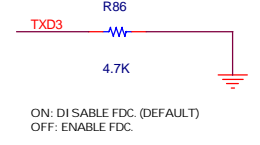
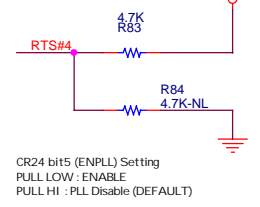
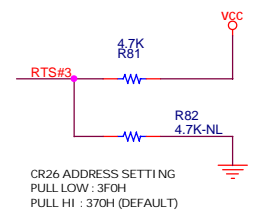
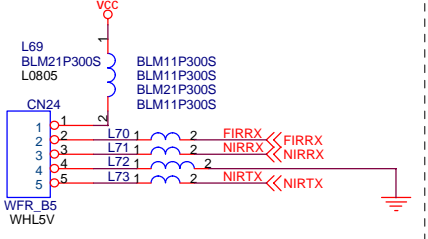
3,21,22 DREO2
 3,21,22 DACK#3
 3,21,22 DREQ3
 3,21,22 TC



	Pull Hi	Pull Low
FUNGP20	COM3 Enable	COM3 Disable
FUNGP21	COM4 Enable	COM4 Disable
FUNGP22	IR Enable	IR Disable
FUNGP23	FDD Enable	FDD Disable
FUNGP24	LPT2 Enable	LPT2 Disable



FIR



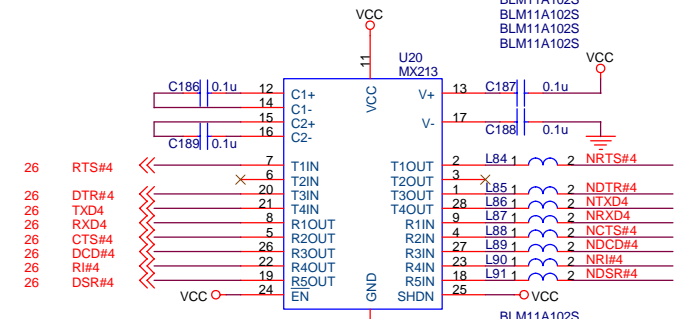
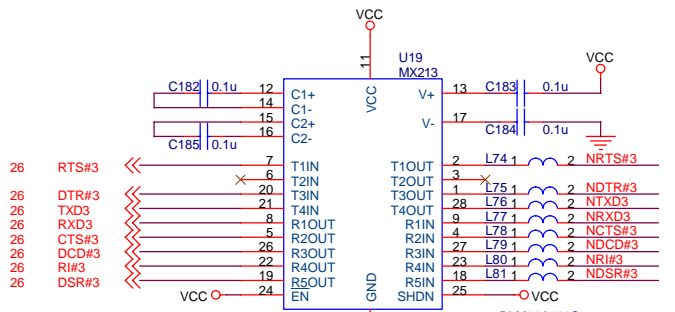
ADVANTECH

Second Super I/O & FIR

Size Document Number Rev A2

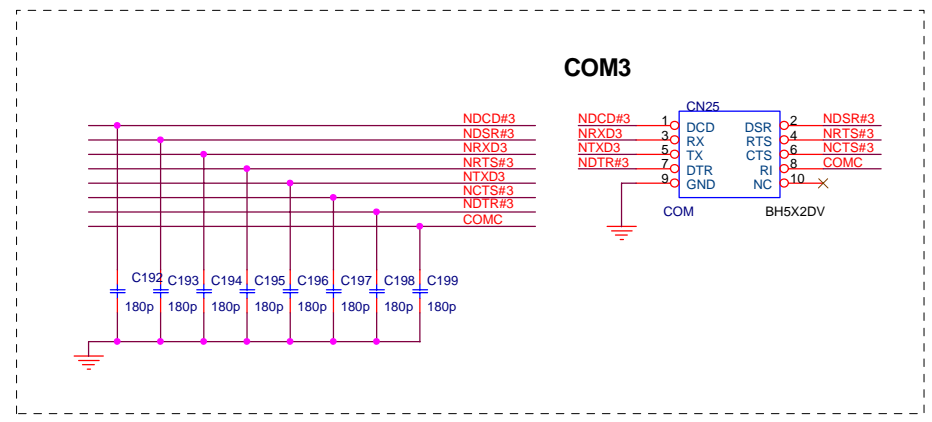
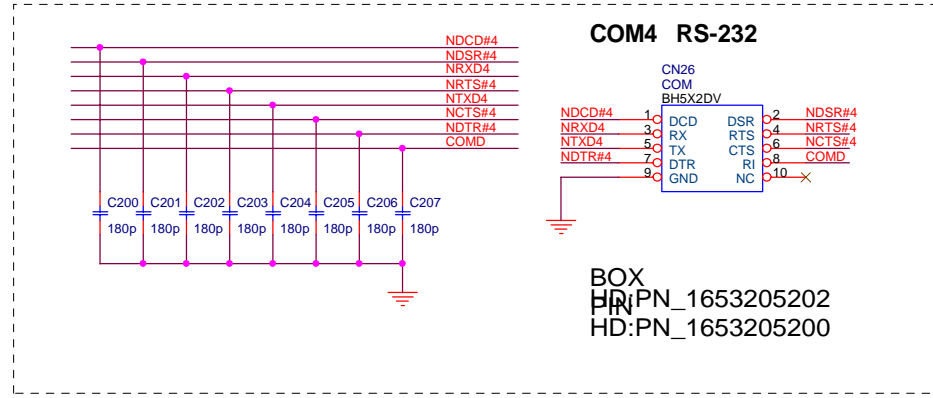
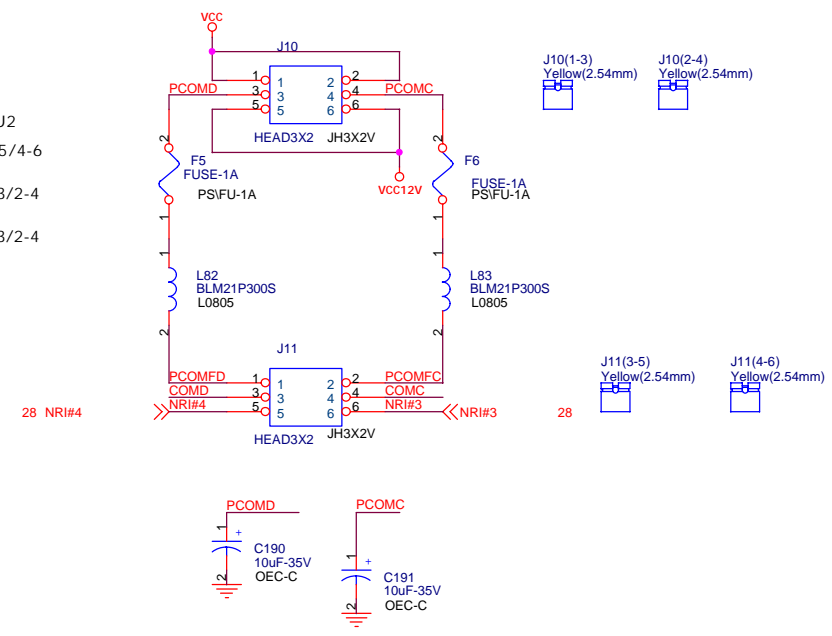
SOM-DB4400 A2 03-1

Date: Thursday, September 09, 2004 Sheet 26 of 33



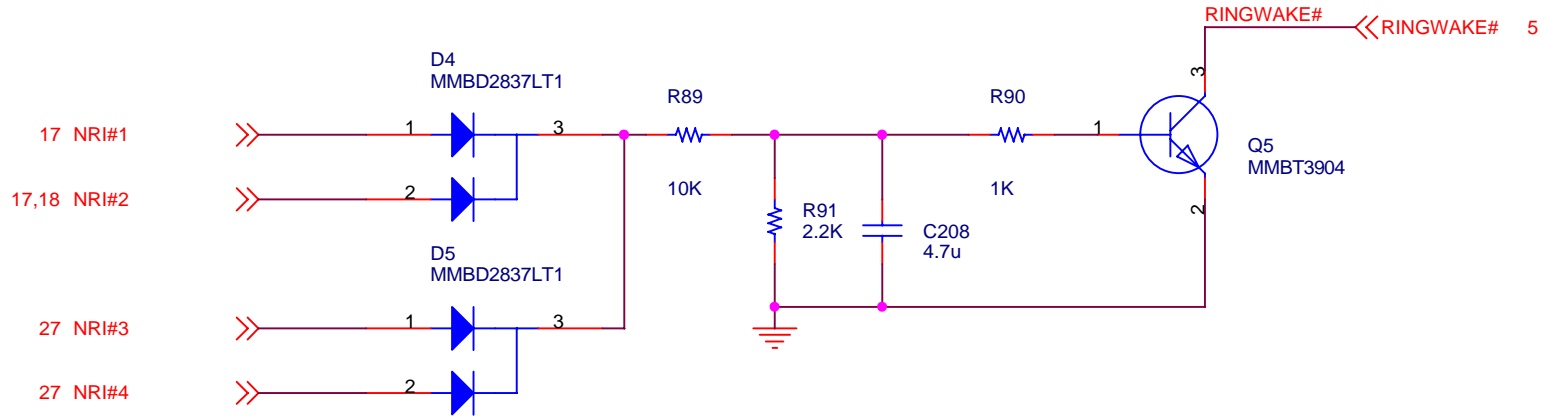
COM 3/COM 4 :

J1	J2
RING	DON'T CARE
VCC	1-3/2-4
+12V	3-5/4-6



ADVANTECH		
Title		
COM3,4 BOX Header		
Size	Document Number	Rev
	SOM-DB4400 A2 03-1	A2
Date:	Thursday, September 09, 2004	Sheet 27 of 33

Wake On Modem



ADVANTECH

Title

Wake On Modem

Size

Document Number

SOM-DB4400 A2 03-1

Rev

A2

Date:

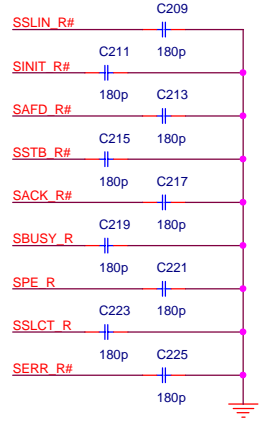
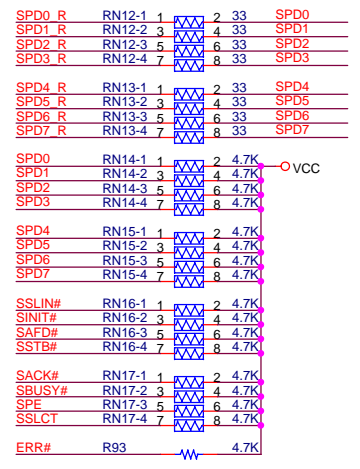
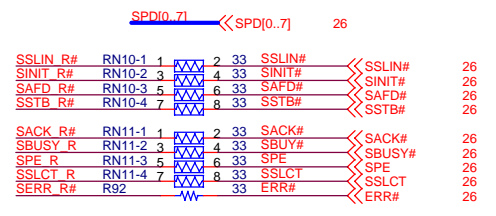
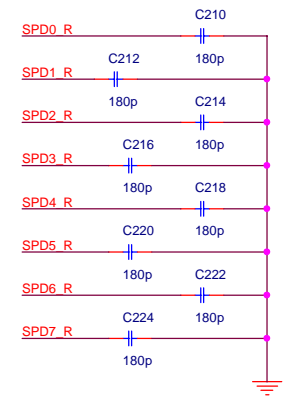
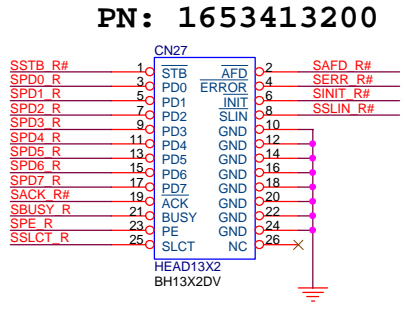
Thursday, September 09, 2004

Sheet

28

of

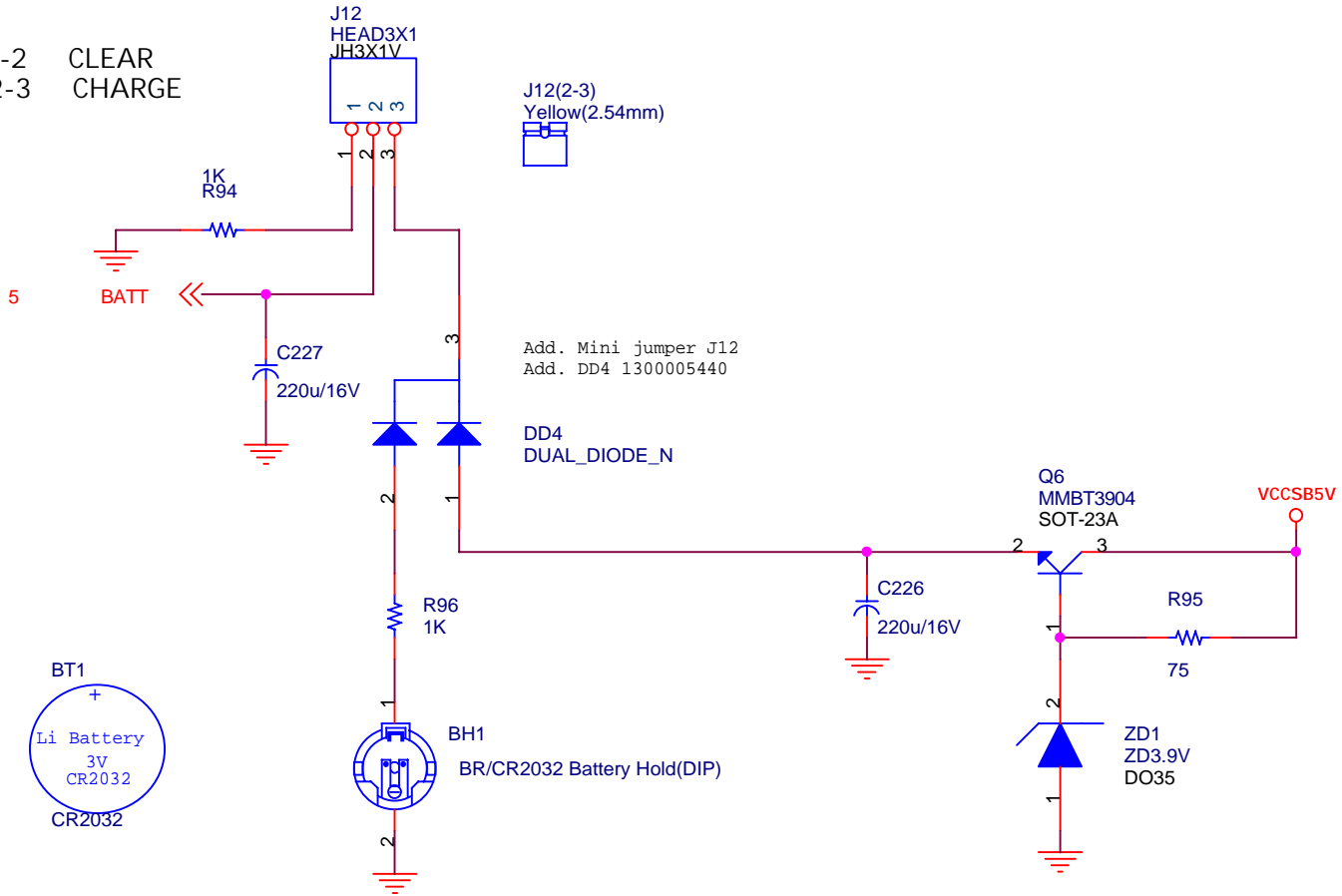
33



ADVANTECH		
Title		
Second Parallel Port BOX Header		
Size	Document Number	Rev
	SOM-DB4400 A2 03-1	A2
Date:	Thursday, September 09, 2004	Sheet 29 of 33

RTC POWER

1-2 CLEAR
2-3 CHARGE



ADVANTECH

Title

RTC Power CR2032

Size

Document Number

SOM-DB4400 A2 03-1

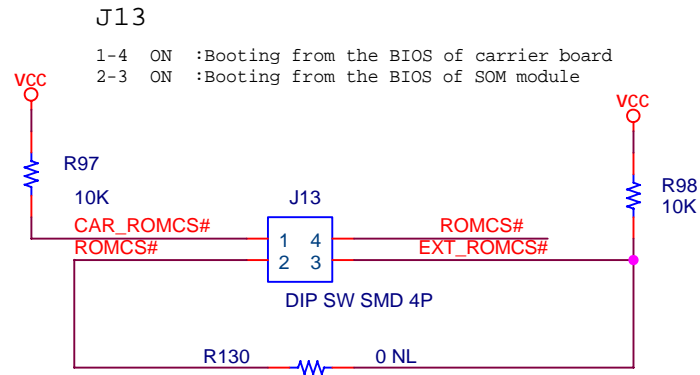
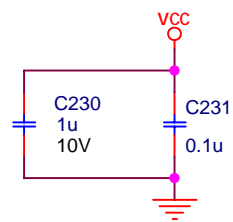
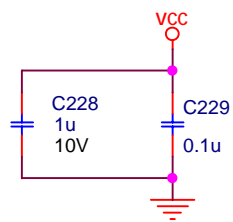
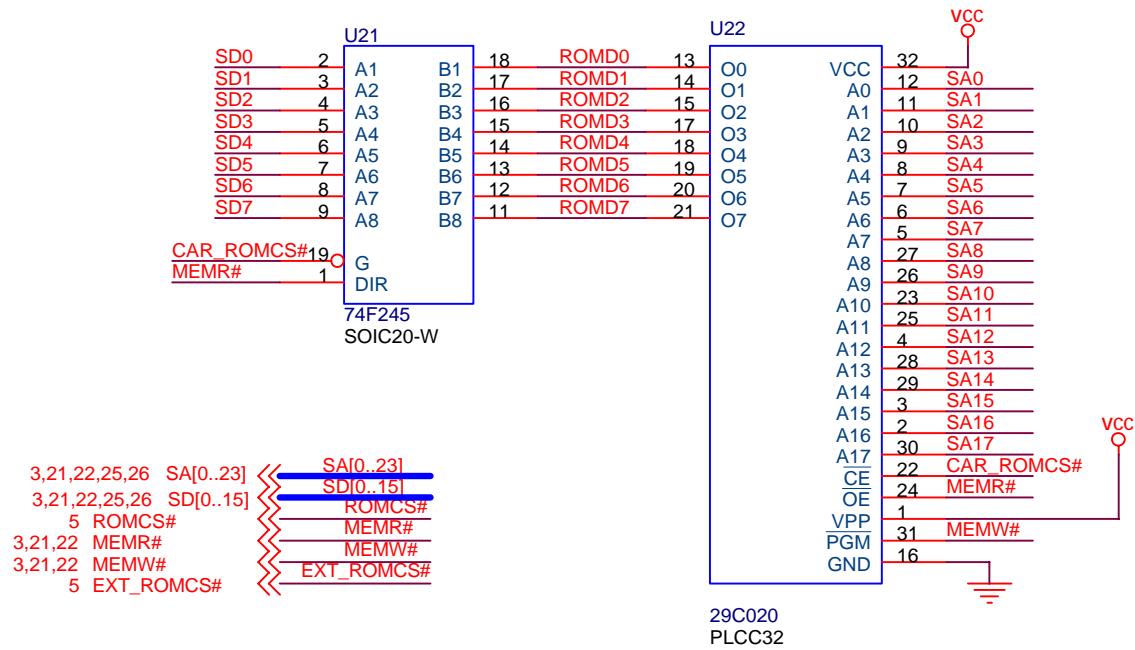
Rev

A2

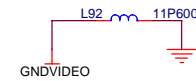
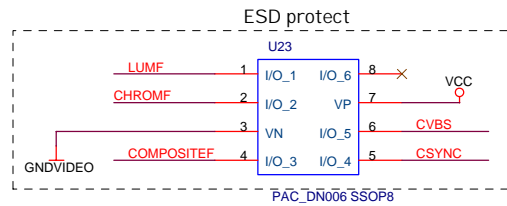
Date: Thursday, September 09, 2004

Sheet 30 of 33

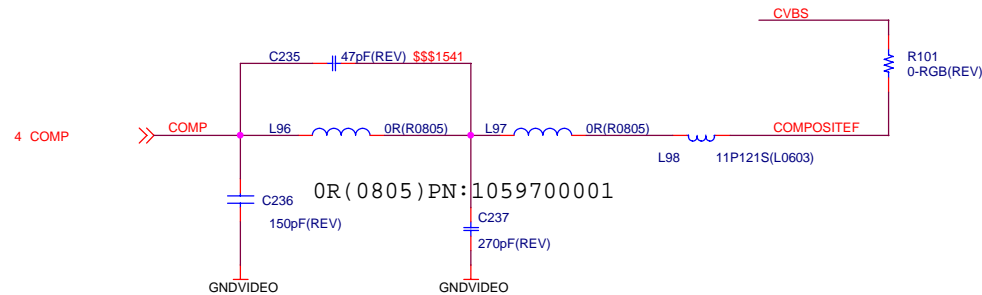
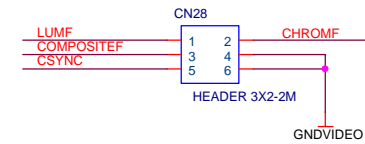
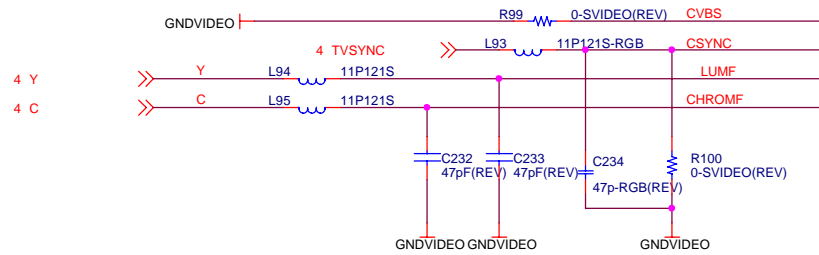
PLCC BIOS



ADVANTECH		
Title		
Second Flash PLCC32		
Size	Document Number	Rev
	SOM-DB4400 A2 03-1	A2
Date:	Thursday, September 09, 2004	Sheet 31 of 33

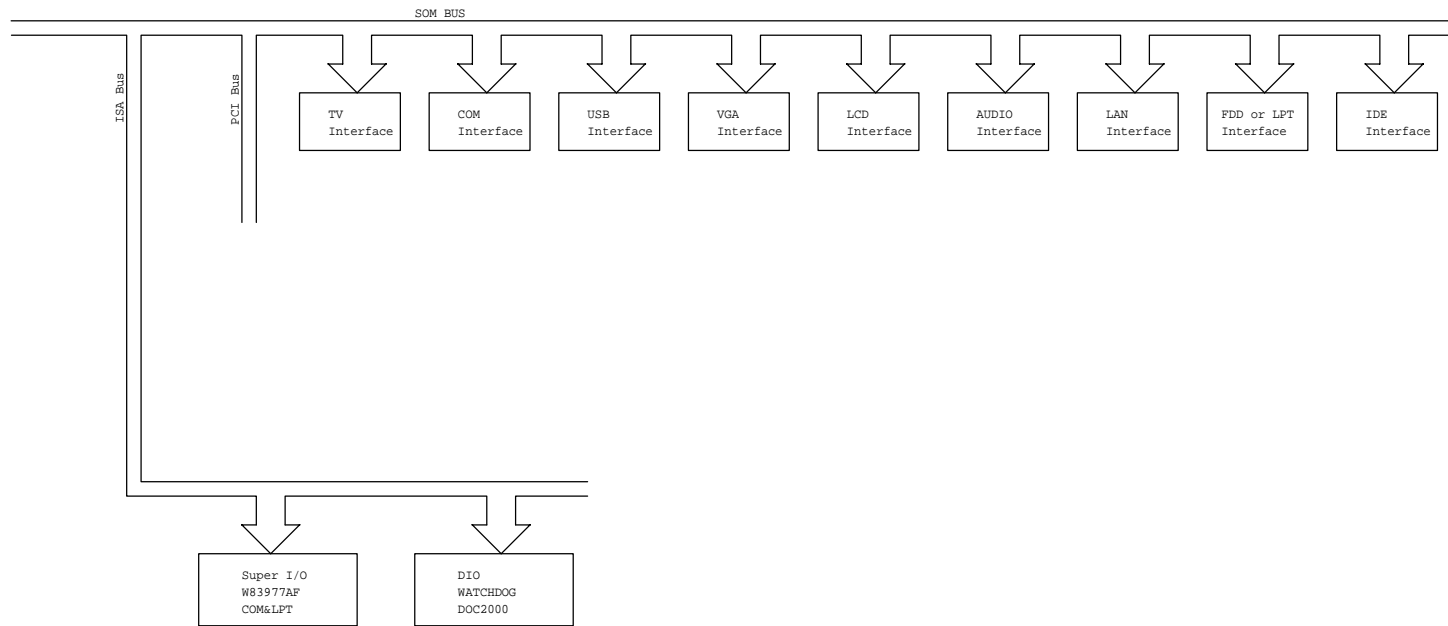


keep the GNDVIDEO at
a wide trace 40mils
and connect to HOLE



COMPOSITE VIDEO OUTPUT
(NTSC / PAL)

ADVANTECH		
Title TV PIN HEADER		
Size	Document Number SOM-DB4400 A2 03-1	Rev A2
Date:	Thursday, September 09, 2004	Sheet 32 of 33



ADVANTECH		
Title		
Block		
Size	Document Number	Rev
	SOM-DB4400 A2 03-1	A2
Date:	Thursday, September 09, 2004	Sheet 33 of 33