

ULTASPOT R800



FEATURES

PROFESSIONAL GRADE, EXTREME OUTPUT.

The USR800 was designed to provide maximum lumen output and performance in a minimal package size. Features required in professional venues like dim to off technology, 80 CRI and plug and play service come standard on the USR800. The USR800 permits direct replacement of 2000W HID luminaires.

- » 0-10V dimming
- » Dim to off standard
- » Compact design
- » Diode level internal glare control
- » Compact dimensions
- » Integral and remote driver operation



ORDERING GUIDE

EX: USR-800-G-30-70-N-1-GC-D10

PRODUCT	WATTAGE	FINISH	CCT	CRI	OPTIC	INPUT VOLTAGE	OPTIC HOLDER	DRIVER	
USR	800						GC		
USR ULTASPOT R	800 800	G GREY DB DARK BRONZE W WHITE BK BLACK C CUSTOM	30 3000K 40 4000K 50 5000K 57 5700K	70 70 80 80	N NARROW M MEDIUM W WIDE UW ULTRAWIDE	1 120V - 277V 2 347V - 480V R REMOTE	GC GLARE CONTROL	D10 1V - 10V DTO DIM TO OFF R REMOTE	
VISOR	RECEPTACLE	FUSING	CONTROL	PRE-WIRE	TUNING				
NONE BLANK TV TOP VISOR	NONE BLANK PA 3 PIN PB 5 PIN PC 7 PIN	NONE BLANK F1 1 HOT LEG FUSE F2 2 HOT LEG FUSE	NONE BLANK DMX DMX MODULE WIL WILUME WIRELESS CONTROLS	NONE BLANK 3P33 3' OF 16/3 WITH MOLDED 3 PIN CONNECTOR 3P55 3' OF 16/3 WITH MOLDED 5 PIN CONNECTOR 3PX3 3' OF 16/3 3PX5 3' OF 16/5 6PX3 6' OF 16/3 6PX5 6' OF 16/5	NONE BLANK FTXXX FACTORY TUNE				

1. Remote Driver option requires separate driver enclosure to be ordered separate from luminaire. Various options are available or remote driver enclosure, contact factory for additional details
2. FT option allows factory reduction in drive current to meet project specific need. Contact factory for more details
3. Must be ordered with CHM remote driver enclosure (RDE). Input voltage and phasing to be specified on RDE.
4. Arrestor option is for integral driver. For remote, the arrestor is specified on the RDE.
5. Selection of DMX or WILume module requires DTO drivers, not compatible with D10 driver code.

DIMENSIONS

DIMENSIONS IN INCHES

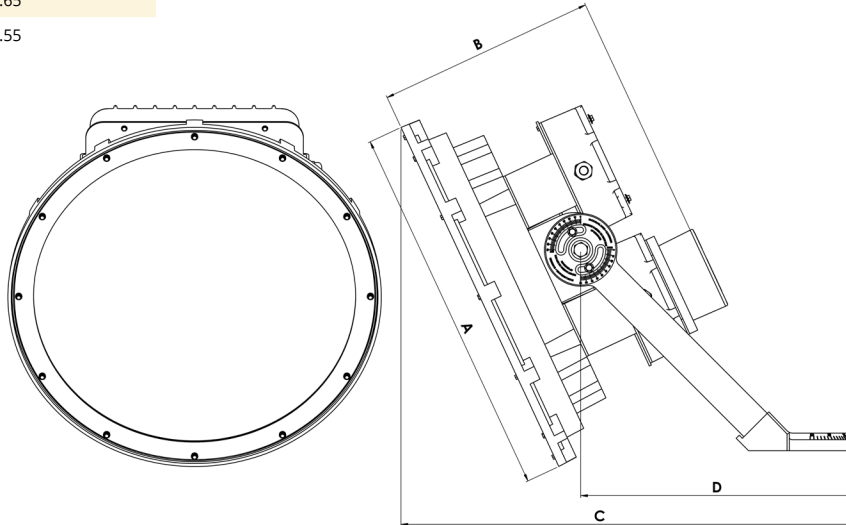
	US800
A	21.23
B	12.52
C	25.65
D	15.55

LOADING

DRIVER TYPE	WEIGHT	EPA (HORIZONTAL)	EPA (25R DEGREES DOWN)
Integral	75	3.0	2.8
Remote	45	3.0	2.8

MAX WATTAGE 820W

VOLTS	AMPS
120	6.8
208	3.9
240	3.4
277	3.0
347	2.4
480	1.7



SPECIFICATIONS

GENERAL DESCRIPTION

The complete luminaire is ETL/cETL Listed in conformance to standards ANSI/UL1598 and CSA22.2 No. 250.0 with an ambient temperature rating of 25C. The luminaire is designed to thermally isolate the driver from the LED housing by a minimum of 3.5". The driver and optical housings shall be fabricated of duty cast aluminum with a minimum wall thickness of 3/16". The fixture is designed to mount to the same provisions as legacy style HID luminaires with a 3/4" through bolt. The complete luminaire has been tested and certified to conform to FCC 47CRF 15:2008 and ICES-005:2015 by Intertek.

HOUSING

To ensure long life of the drivers, the driver housing is thermally isolated from the LED housing. To increase cooling efficiency, the housing utilizes integrally cast cooling fins. The housing mounts to the support structure with a heavy gauge steel trunnion. The trunnion includes a heavy duty cast aluminum angle adapter and pushes the fixture forward for improved clearance and includes integrally cast angle indicators for horizontal angles. The trunnion also includes vertical aiming indication on each side of the luminaire for precision up/down adjustments. The module is available for use in both integral driver and remote driver configuration. The housings shall be constructed of 363F aluminum and shall be melted and manufactured in the USA.

ELECTRICAL SYSTEM

The drivers accept the specified line voltage, to within +/- 10% without the aid of an integral step down transformer. The drivers include integral transient surge protection in accordance with IEEE C62.41 6kV/6kV. The LED drivers have a minimum power factor of 0.95 with a Total Harmonic Distortion no greater than 20%. Drivers come standard with 0-10V dimming leads as well as output tuning. Dim to off technology drivers are available. The system includes a secondary surge protection system with supplementary coverage in accordance with IEEE C62.41.2 C High (10kA and 10kV Standard, 20kA and 20kV optional). The secondary surge protection is capable of suppressing a maximum of (1) 20,000 A pulse or (120) 3,000A pulses (8x20 microsecond).

OPTIC ASSEMBLY

Each LED is provided with a dedicated precision cast optical constructed of PMMA. Standard internal glare control optic holders block unwanted glare in all viewing angles to improve comfort for players and spectators. The glare control is provided in a flat black finish to absorb, rather than reflect, spill light thereby eliminating secondary glare. The optional top visor limits up light and further reduces visible glare and property line spill light. The LEDs generate the specified color temperature with a tolerance of no more than +/-6.5% to ensure consistent color across the project. All CRI offerings are stated as minimum, typical CRI will be higher or equal to published minimum.

WARRANTY

The entire product shall be covered by a minimum five (5) year limited fixture warranty. Longer term warranties are available, contact CHM for additional details.

SUPPLEMENTARY

OUTPUT TABLE							
CCT	CRI	DISTRIBUTION	LUMENS	BEAM	FIELD	NEMA	LPW
4000	70	N	92937	15	30	2X2	113
4000	70	M	81475	20	41	3X3	99
4000	70	W	78409	31	55	4X4	96
4000	70	UW	76249	55	80	5X5	93

LUMEN OUTPUT CORRECTION FACTOR		
CCT	CRI	LOCF
3000	70	0.950
3000	80	0.900
4000	70	1.000
4000	80	0.950
5000	70	1.000
5000	80	0.950
5700	70	1.013
5700	80	0.950

CANDELA PLOTS

