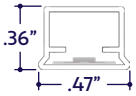


END VIEWS / DIMENSIONS



GENERAL FEATURES

Applications	Accent, Decorative, Surface, Recess, Pendant Lighting
Lens	Clear, 50% Semi-Frosted, or 100% Frosted
Viewing Angle	180°
Length	Built to Order (+/- 1/8" Tolerance)
Construction	Polycarbonate Extrusion
Field Cutting	Dry and Wet Location
Weight	0.049 lbs per foot
Mounting	Mounting Channel or Mounting Clips (Sold Separately)
Listing	Dry, Wet, or IP67 Location UL2108, 67.1.9, 60.4, CSA C22.2 #9 UL8750, CSA250
Driver	Remote (Sold Separately)
Temperature Ratings	Operating / Startup: -20° to 48°C (-4° to 120°F) Storage: -40° to 76°C (-40° to 170°F)
Installation Link	

ELECTRICAL

Dimming	DMX, DALI
Maximum Run (Class 1 Applications)	26' (4.5W) 33' (3.6W)
Maximum Run (Class 2 Applications)	18' (4.5W) 23' (3.6W)
Luminaire Voltage	24VDC

SPECIFY PRODUCT CODE | CHOOSE FROM DROP DOWNS

Series	Lens	Watts per Foot	Dimming	LED	Listing	Luminaire Length
A8-ZUDA-STB				DWH		
ZUDA Standard Tube (A8-ZUDA-STB)	Clear Lens (CL)	3.6 Watts (3.6W)	DMX-512* ¹ (DMX)	2400K - 6400K (DWH)	Indoor (DRY)	Specify Length in Feet & Inches Example: 7'8"
	50% Semi-Frosted Lens (SF)	4.5 Watts (4.5W)	DALI* ² (DALI)		Outdoor* ³ (WET)	
	100% Frosted Lens (F)				Outdoor IP67* ³ (IP67)	

*¹ Default DMX address of each luminaire is 001. Consult third party DMX commissioner to modify at time of installation.

*² DALI commissioning to be performed by a third party at time of installation. ALUZ does not provide DALI commissioning.

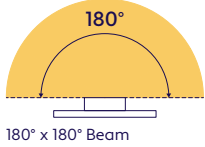
*³ Run lengths are required for Wet & IP67 Location products. Provide run lengths at time of order.



LAMP FEATURES

Lamp Type	Dynamic White LEDs: 2400K - 6400K
CRI	> 90

BEAM ANGLE



LAMP SPECIFICATIONS

Lamp Number	Correlated Color Temperature (CCT) Gamut	L70 LED Life
DWH	Dynamic White: 2400K - 6400K	50,000 hrs.

LENS / OPTICS APPEARANCE



Clear Lens (CL)
Visible Diode Image
0% Light Loss



50% Semi-Frosted Lens (SF)
Slight Diode Image
12.5% Light Loss



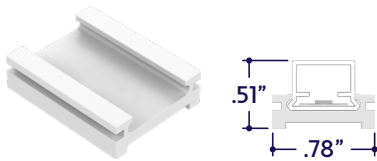
100% Frosted Lens (F)
No Diode Image: Line of Light
25% Light Loss

DRIVERS

Dimming Selection	Product Code	Link to Specification Sheet / URL
DMX-512	(DMX)	
DALI	(DALI)	

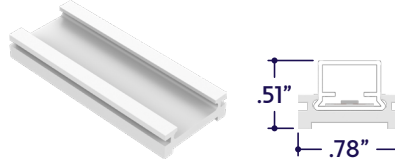
MOUNTING OPTIONS (Sold Separately)

Note: Mounting clips are only available in Natural Silver Finish, unless otherwise specified.



Part #	Qty.
A8-ZUDA-STB-MC	

Note: Use 1 mounting clip per 2', rounded up. Click on image to see cut sheet for additional details.



Part #	Qty.
A8-ZUDA-STB-UC-8'	

Note: Order Mounting Channel as needed in 8', field cuttable lengths. Click on image to see cut sheet for additional details.

END CAPS (Sold Separately)



End Cap
(A8-ZUDA-STB-EC)

Part #	Qty.
A8-ZUDA-STB-EC	

Note: Use 1 End Cap for each termination without power feed.



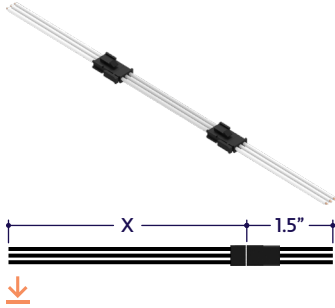
End Cap with Hole
(A8-ZUDA-STB-EC-H)

Part #	Qty.
A8-ZUDA-STB-EC-H	

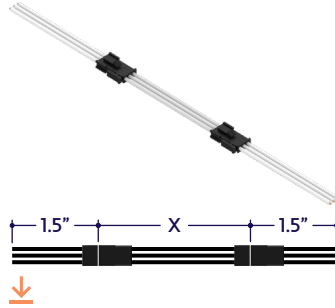
Note: Use 1 End Cap for each termination with power feed.

DRY CONNECTORS (Sold Separately)

Note: Connector style subject to change without notice.
Refer to cut sheet or installation instructions for wiring colors.

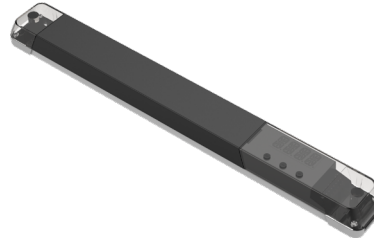


Part #	Length	Qty.
A8-PC-3P-DRY-	36"	
A8-PC-3P-DRY-		



Part #	Length	Qty.
A8-CC-3P-DRY-	3"	
A8-CC-3P-DRY-		

DMX ACCESSORIES (Sold Separately)



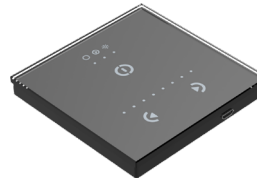
Part #	Qty.
DRV100-E-UNV-24VDC-DMX-DRY	
DRV100-E-UNV-24VDC-DALI-DRY	

Note: Use 1 Driver / Decoder for each run up to 100 Watts.



Part #	Qty.
CTRL-DMX-RGBX	

Note: Use 1 Decoder for each run up to 96 Watts. Not required if using all-in-one driver / decoder (DRV100-E).



Part #	Qty.
CTRL-DMX-128C	

Note: Controls up to 128 DMX Channels.

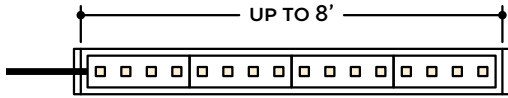


Part #	Qty.
CTRL-DMX-1024C	

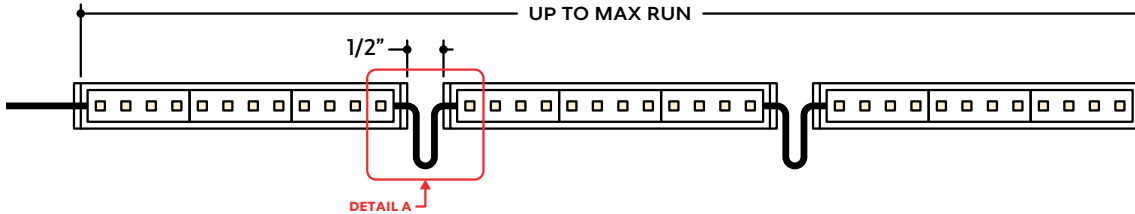
Note: Controls up to 1024 DMX Channels.

DESIGN GUIDELINES

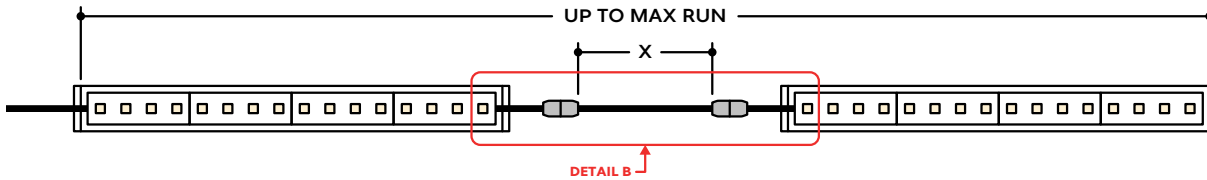
Individual Fixture



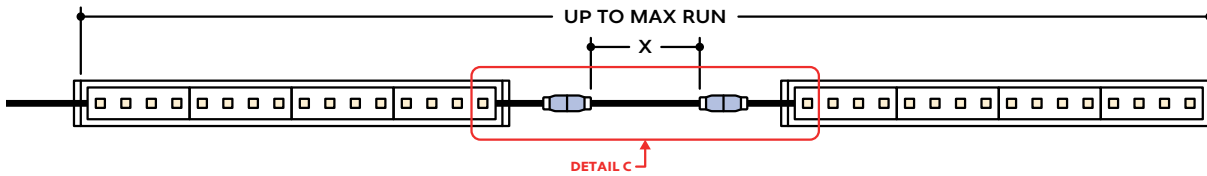
Continuous Run (Dry or Wet Location)



Runs with Continuous Connector (Dry Location)



Runs with Continuous Connector (Wet Location)



KEY

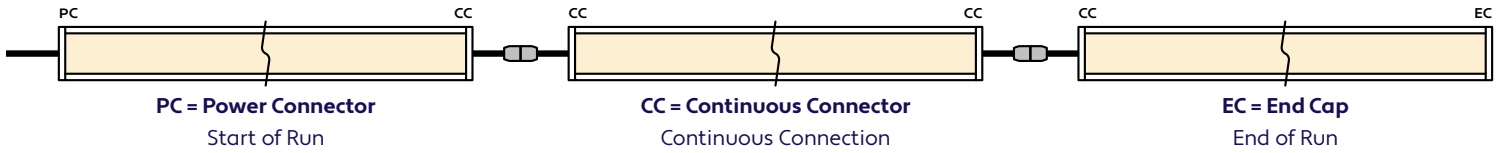
Detail A Continuous Connection: Fixture segments are connected using a jumper wire, with a 1/2" gap between segments.

Detail C Dry Continuous Connector: Used to span a corner or traverse a gap, corner, or obstacle in a dry location installation area.

Detail D Wet Continuous Connector: Used to span a corner or traverse a gap, corner, or obstacle in a wet location installation area.

Note: Drawings not to scale. Product may differ from examples shown.

CONNECTION SEQUENCE

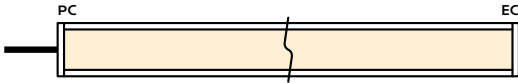


- Specifying a layout is not required to place an order.
- Configuration code applies to full length ordered and will be built per the Continuous Run models on Design Guidelines.
- Connector type subject to change based on availability and listing. Refer to Design Guidelines for details.

HOW TO SPECIFY CONFIGURATIONS

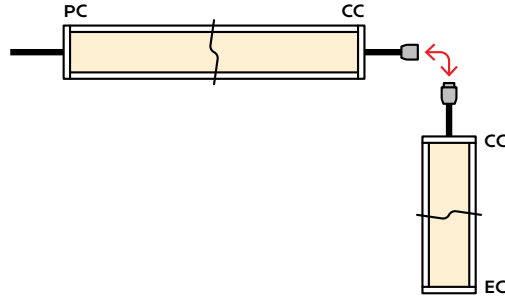
Example: 20' Straight Run

- 1x A8-ZUDA-STB-CL-3.6W-DMX-DWH-DRY-20'-PC-EC



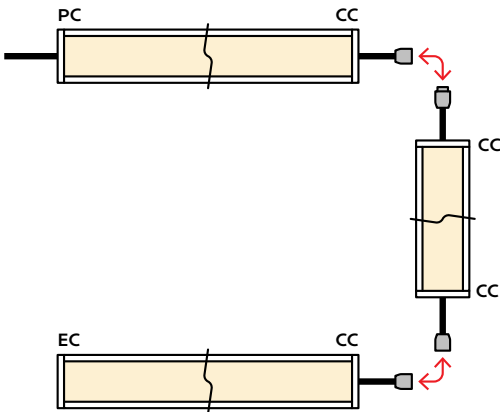
Example: 25' L-Shaped Run

- 1x A8-ZUDA-STB-CL-3.6W-DMX-DWH-WET-12'-PC-CC
- 1x A8-ZUDA-STB-CL-3.6W-DMX-DWH-WET-6'-CC-EC



Example: 30' U-Shaped Run

- 1x A8-ZUDA-STB-CL-3.6W-DMX-DWH-DRY-6'-PC-CC
- 1x A8-ZUDA-STB-CL-3.6W-DMX-DWH-DRY-18'-CC-CC
- 1x A8-ZUDA-STB-CL-3.6W-DMX-DWH-DRY-6'-CC-EC



Example: 28' Rectangle Shaped Run

- 1x A8-ZUDA-STB-CL-3.6W-DMX-DWH-WET-11'-PC-CC
- 1x A8-ZUDA-STB-CL-3.6W-DMX-DWH-WET-3'-CC-CC
- 1x A8-ZUDA-STB-CL-3.6W-DMX-DWH-WET-11'-CC-CC
- 1x A8-ZUDA-STB-CL-3.6W-DMX-DWH-WET-3'-CC-EC

