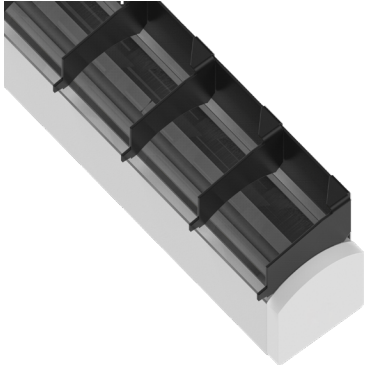
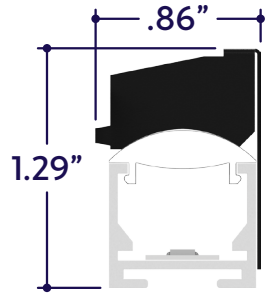


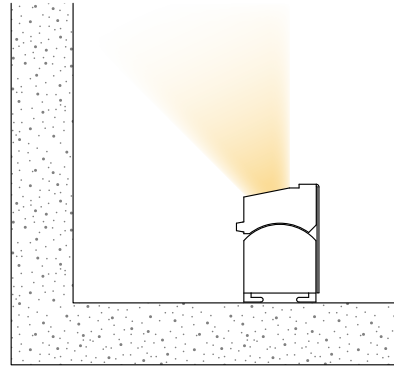
## Perspective View



## Assembled Dimensions



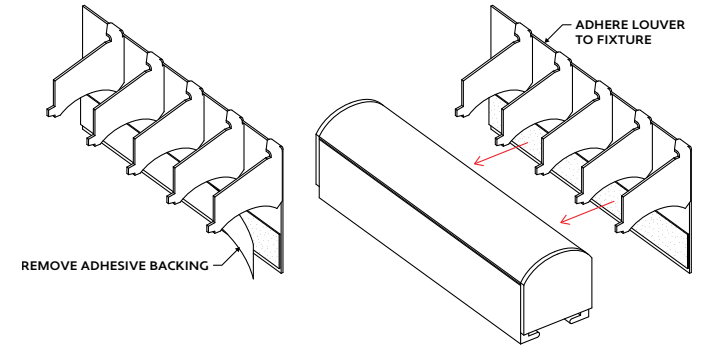
- 1 Determine number of louvers needed. Louvers are available in 1' increments. Specify total length of reflectors needed.
- 2 Determine position of louvers. Position the louver with the open end towards the surface that will be lighted. If using asymmetric optics, ensure the beam is pointed in the same direction as the open end.



- 3 Before installing, place louvers on fixture in sequence to determine positioning and spacing.

## A8 Series | LED Tape ZUDA Standard Optic - Louver (A8-ZUDA-SOP-LVR)

- 4 Remove adhesive backing from double-sided tape on the long side of the louver, then adhere louver to fixture. Align the end of the louver with the end cap of the fixture, and the arc on the blades with the shapes of the fixture lens.



- 5 Complete the installation by ensuring the louver is consistently aligned across the round shape of the lens.

