

# APEL4 STATIONARY LOUVER

P.O. Box 86  
159 Genco Drive  
Hartford, AL 36344  
Phone: (334) 588-0070  
Fax: (334) 588-0071



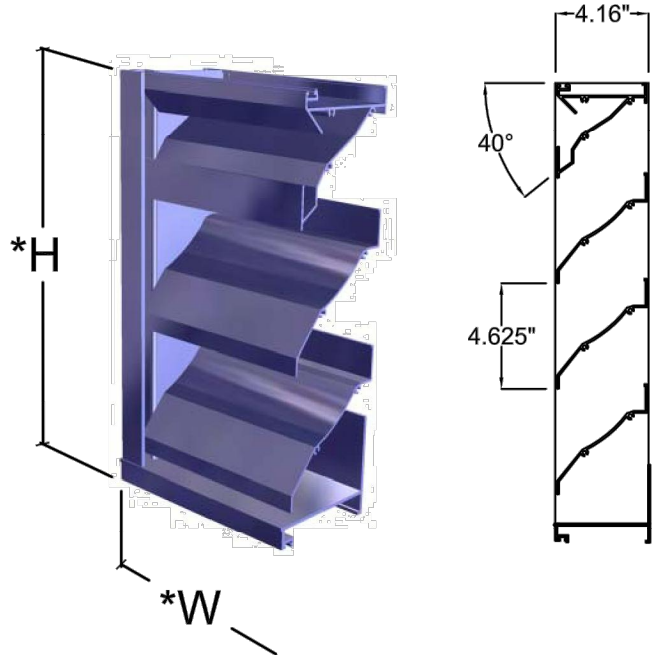
## HIGH PERFORMANCE 4" FIXED LOUVER

### STANDARD CONSTRUCTION:

- Frame:** .081 Extruded Aluminum, 4.16" Deep
- Blade:** .081 Extruded Aluminum positioned on a 40° angle on approximately 4.625" centers
- Birdscreen:** 0.75" x .051" Flattened Aluminum in removable frame. Screen is mounted as standard on inside (rear) as looking from exterior of building.
- Finish:** Mill Aluminum (Std.)
- Minimum Size:** 12 x12
- Maximum Single Section:** 120"w x 84"h or 84"w x 120"h

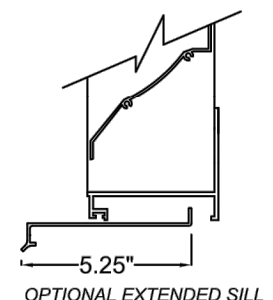
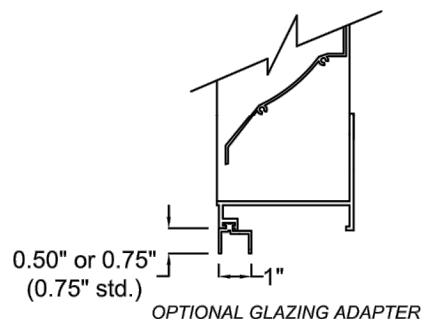
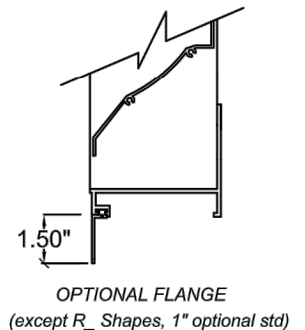
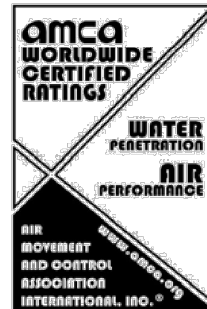
### OPTIONS:

- Flanged Frame (1.50" std.), (1" std for shapes R\_)
- Custom Flange (1", 2" , or 3"), (1.5", 2", or 3" for shapes R\_)
- Glazing Adapter (0.50" or 0.75")
- Extended Sill
- Insect Screen (Other Screens Available, See Screen Page)
- Filter Racks (no screen)
- Security Bars
- Hinged Sub Frame
- Welded Construction (Wind Load +/- 50 psf)
- Blank-off, Alum., non-insulated, no screen, non-removeable
- Blank-off, Alum., non-insulated, with bird screen or insect screen
- Blank-off, Alum., insulated double wall, with bird screen, removable
- Blank-off, Alum., insulated double wall, no screen, non-removeable



### AVAILABLE FINISHES:

- Baked Enamel.
- Kynar.
- Prime coat.
- Clear and Color Anodized. (Some variation in Anodized color consistency is possible)



\*Width and Height dimensions are approximately 1/4" under listed size.

# SUGGESTED SPECIFICATION

Finish and install louvers as hereinafter specified where shown on plans or as described in schedules. Louvers shall be "J" blade style with 40° stationary blades. Stationary blades shall be contained within a 4.16" frame. Louver components (heads, jambs, sills, blades, and mullions) shall be factory assembled by the louver manufacturer. Louver sizes too large for shipping shall be built up by the contractor from factory assembled louver sections to provide overall sizes required. Louver design shall incorporate structural supports required to withstand a wind load of 30 lbs. per sq. ft. (equivalent of a 110 mph wind).

Published louver performance data bearing the AMCA Certified Ratings seal for Air Performance & Water Penetration must be submitted for approval prior to fabrication and must demonstrate pressure drop and water penetration equal to or less than the Air Performance Inc. model specified.

Louvers shall be Air Performance Inc. APEL4, 6063-T5 aluminum construction as follows:

FRAME: 4.19" deep, .081" nominal wall thickness

BLADES: .081" nominal wall thickness. Blades are positioned at 39° angle and spaced approximately 4.625" center to center.

SCREEN: 0.75" x .051" (19 x 1.3) expanded, flattened aluminum in removable frame.

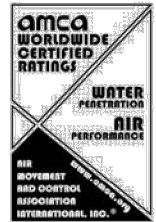
FINISH: Select finish specification from Air Performance Inc. finishes brochure.

## PERFORMANCE DATA

AMCA Standard 500-L provides a reasonable basis for testing and rating louvers. Testing to AMCA 500-L is performed under a certain set of laboratory conditions. This does not guarantee that other conditions will not occur in the actual environment where louvers must operate. The louver system should be designed with a reasonable safety factor for louver performance. To ensure protection from water carryover, design with a performance level somewhat below maximum desired pressure drop and .01 oz./sq. ft. of water penetration.

APEL4 FREE AREA CHART (SQUARE FEET)

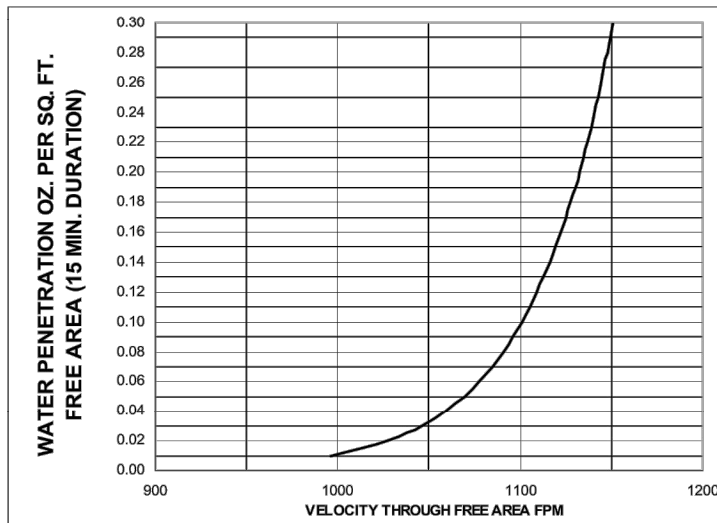
Louver Height Inches	Width - Inches																Louver Height Inches			
	12	18	24	30	36	42	48	54	60	66	72	78	84	90	96	102		108	114	120
12	0.35	0.57	0.78	1.00	1.21	1.43	1.65	1.86	2.08	2.29	2.51	2.72	2.94	3.16	3.37	3.59	3.80	4.02	4.24	12
18	0.53	0.86	1.18	1.51	1.84	2.16	2.49	2.82	3.14	3.47	3.80	4.12	4.45	4.78	5.10	5.43	5.76	6.08	6.41	18
24	0.81	1.30	1.80	2.30	2.80	3.29	3.79	4.29	4.78	5.28	5.78	6.28	6.77	7.27	7.77	8.26	8.76	9.26	9.76	24
30	1.10	1.77	2.44	3.12	3.79	4.47	5.14	5.81	6.49	7.16	7.84	8.51	9.19	9.86	10.53	11.21	11.88	12.56	13.23	30
36	1.29	2.08	2.87	3.66	4.46	5.25	6.04	6.83	7.62	8.42	9.21	10.00	10.79	11.58	12.38	13.17	13.96	14.75	15.54	36
42	1.56	2.51	3.47	4.43	5.39	6.34	7.30	8.26	9.22	10.17	11.13	12.09	13.05	14.00	14.96	15.92	16.88	17.83	18.79	42
48	1.79	2.90	4.00	5.11	6.21	7.32	8.42	9.52	10.63	11.73	12.84	13.94	15.04	16.15	17.25	18.36	19.46	20.57	21.67	48
54	2.04	3.30	4.55	5.81	7.06	8.32	9.58	10.83	12.09	13.34	14.60	15.85	17.11	18.37	19.62	20.88	22.13	23.39	24.65	54
60	2.31	3.73	5.15	6.57	7.99	9.40	10.82	12.24	13.66	15.08	16.50	17.92	19.34	20.76	22.18	23.60	25.02	26.44	27.86	60
66	2.59	4.18	5.77	7.37	8.96	10.55	12.14	13.74	15.33	16.92	18.51	20.11	21.70	23.29	24.88	26.48	28.07	29.66	31.25	66
72	2.88	4.65	6.42	8.19	9.96	11.73	13.50	15.27	17.04	18.81	20.58	22.35	24.12	25.89	27.66	29.43	31.20	32.97	34.74	72
78	3.06	4.94	6.83	8.71	10.59	12.47	14.36	16.24	18.12	20.01	21.89	23.77	25.65	27.54	29.42	31.30	33.19	35.07	36.95	78
84	3.33	5.39	7.44	9.49	11.54	13.59	15.64	17.70	19.75	21.80	23.85	25.90	27.95	30.01	32.06	34.11	36.16	38.21	40.26	84
90	3.62	5.85	8.08	10.31	12.54	14.77	17.00	19.23	21.46	23.68	25.91	28.14	30.37							
96	3.82	6.17	8.52	10.86	13.21	15.56	17.91	20.26	22.61	24.96	27.31	29.66	32.01							
102	4.08	6.60	9.11	11.62	14.14	16.65	19.16	21.67	24.19	26.70	29.21	31.73	34.24							
108	4.37	7.06	9.75	12.43	15.12	17.81	20.50	23.19	25.88	28.56	31.25	33.94	36.63							
114	4.66	7.52	10.39	13.25	16.12	18.98	21.85	24.71	27.58	30.45	33.31	36.18	39.04							
120	4.83	7.81	10.78	13.76	16.73	19.71	22.68	25.66	28.63	31.61	34.58	37.56	40.53							



Air Performance Inc. certifies that the louver model shown herein is licensed to bear the AMCA seal. The ratings shown are based on tests and procedures performed in accordance with the AMCA publication 511 and comply with the requirement of the AMCA Certified Ratings Program. The AMCA Certified Ratings Seal applies to Air Performance and Water Penetration ratings.

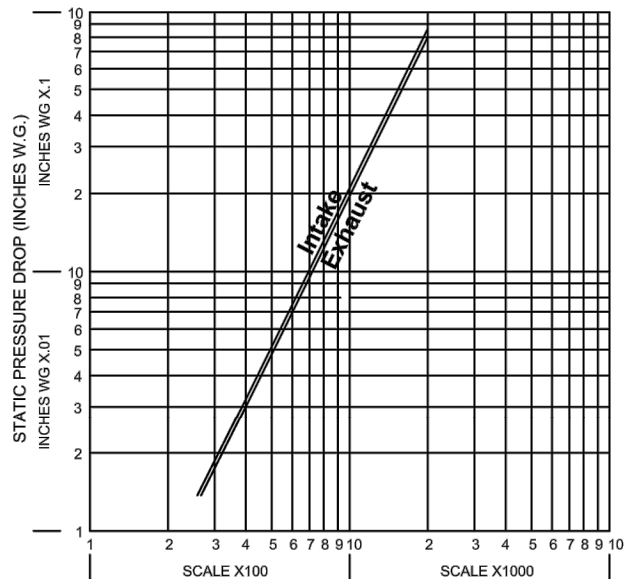
## Water Penetration

Standard Air-.075 lb/ft<sup>3</sup>



Beginning point of **WATER PENETRATION** for **MODEL EL-4** is **995 fpm** free area velocity at .01 oz. of water

## AIR FLOW RESISTANCE



FREE AREA VELOCITY (FT/MIN)  
Based on STANDARD AIR-.075 lb. per cubic foot.  
Ratings do not include the effects of screen.  
Test size 48" x 48"  
Test Figure 5.5