

9036-COSARIO-1207-HM/ENG

Cosario



Value innovation for wall units

hettich  *AT HOME IN ALL GOOD FURNITURE.*

Hettich Marketing- und Vertriebs GmbH & Co. KG
Postfach 1240 · 32269 Kirchlengern · Germany · Phone +49 52 23 77-0 · E-mail: kitchen-info@de.hettich.com

www.hettich.com


Hettich
INTERNATIONAL



Cosario – value innovation for wall units

Innovative

With its eye-catching blend of function and design, Cosario is a kitchen storage option with huge appeal. On opening, the lower shelf swings downwards and backwards, while the upper shelf drops down a few centimetres for easy access. Items can be retrieved from or tidied away in a Cosario in an instant – securely, and always within quick reach.

The modern aluminium-look finish harmonizes with virtually any front décor – an instant storage bonus that adds a new focal point for kitchen design. Cosario can be used with all standard unit widths from 550 to 1000 mm. It is mounted directly under the wall unit – either in view or out of sight, depending on the door design.



Storage bonus at eye level

Versatile



Cosario creates extra storage space for many smaller items in daily use. Think spice jars and espresso cups, kitchen gadgets and small appliances, kitchen rolls, knife blocks and note blocks and pens. Open a Cosario and all the contents are clearly visible at eye level on the two shelves.

The benefits of adding this new practical storage option below the wall unit are equally clear. It's time-saving – contents can be accessed or hidden from view in a moment. It's hygienic – items are protected from dust and grime. It's safe – even for china, glassware, bottles and jars. It's flexible – organizer options let users make optimal use of this new storage unit.





Unbeatable functionality

Functional



Cosario is an ideal addition to any wall unit. It can be retrofitted on standard wall units from 285 mm deep. Assembly is straightforward: simply attach the mounting panel to the underside of the wall unit, hook the Cosario into place and secure with screws.

Cosario is designed for a load capacity of 5 kg. It can store items up to 120 mm high. The optional built-in light strip has a double function. With the Cosario closed, the light shines on the worktop below; when the unit is opened it illuminates the contents.

Cosario – a brilliant add-on for wall units, that scores top marks for practicality.

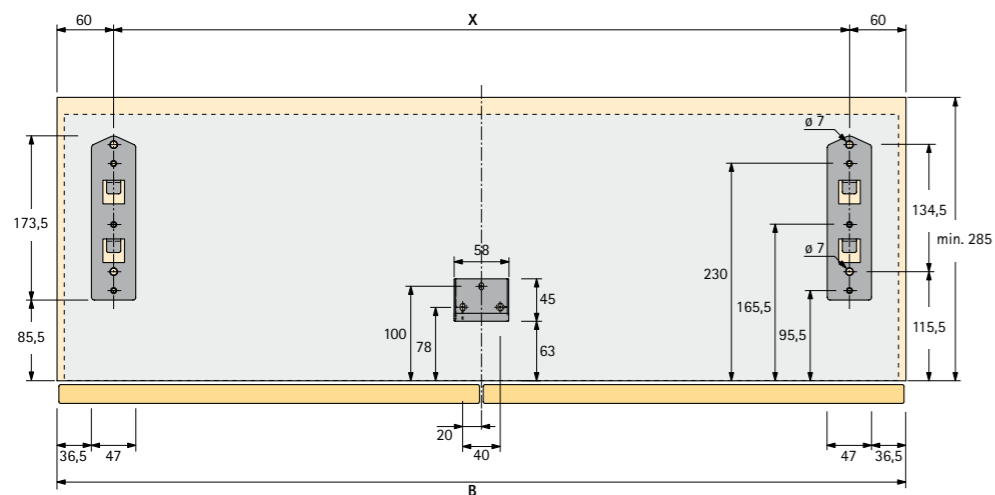




Feature overview

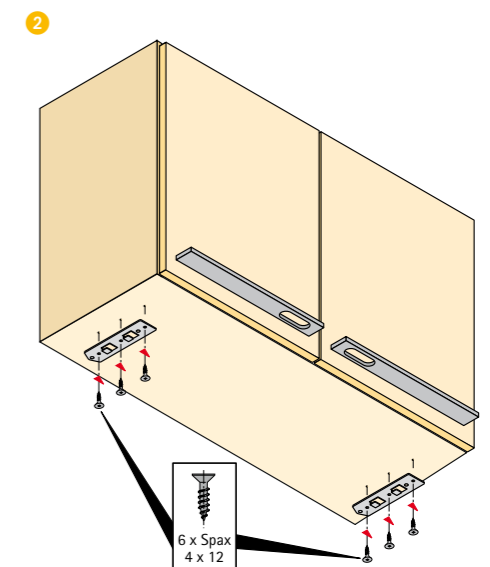
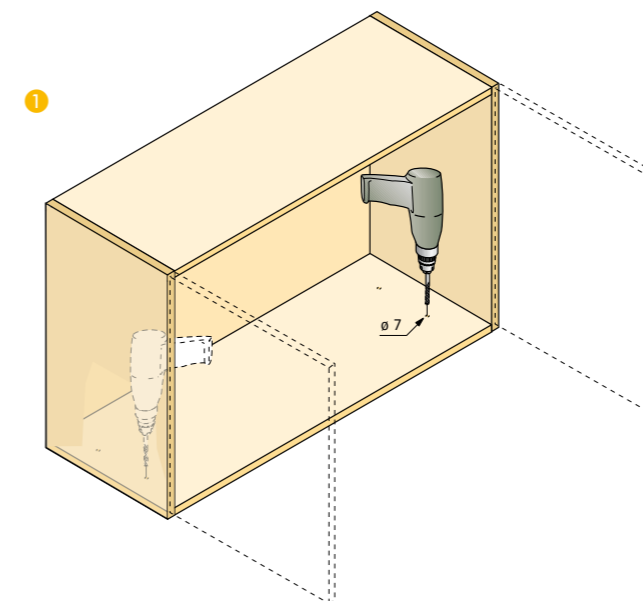
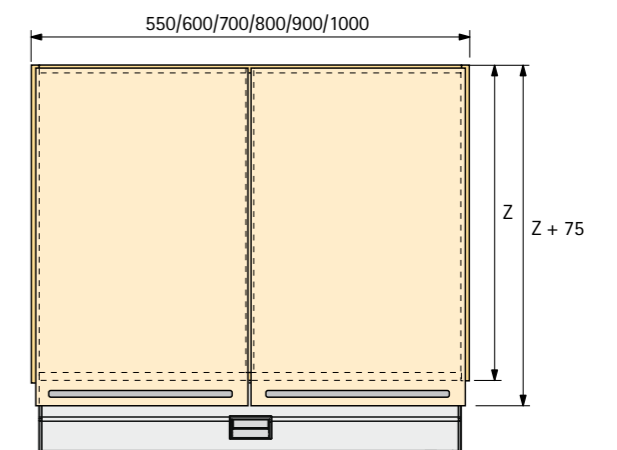
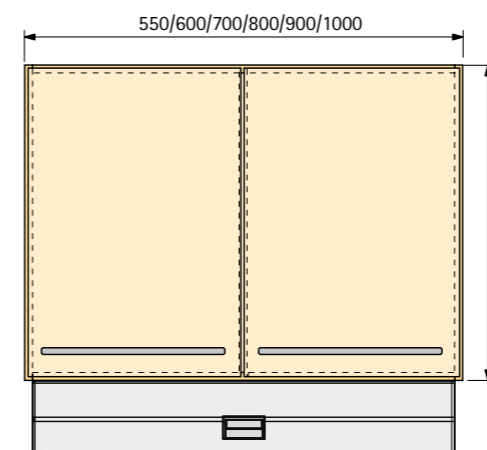
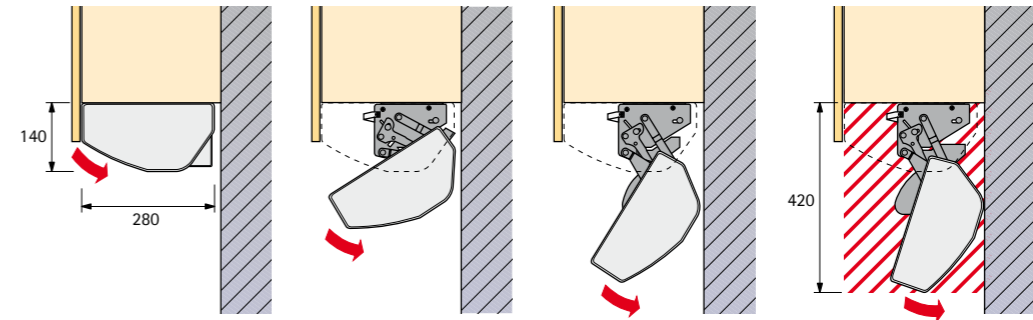
- For standard wall units from 550 to 1000 mm wide
- Minimum depth of wall unit: 285 mm
- Height of side when closed: 140 mm
- Clear height inside: approx. 120 mm
- Locking system with 20 mm safety catch
- Load capacity: 5 kg
- Opening force: less than 30 N
- Material: aluminium and plastic
- Optional light with switch
- Minimum order quantity: 1 unit

Cosario for unit width	Colour	Order no.
550 mm	aluminium / grey	906 895 200
600 mm	aluminium / grey	906 203 2
700 mm	aluminium / grey	906 203 3
800 mm	aluminium / grey	906 203 4
900 mm	aluminium / grey	906 203 5
1000 mm	aluminium / grey	906 203 6



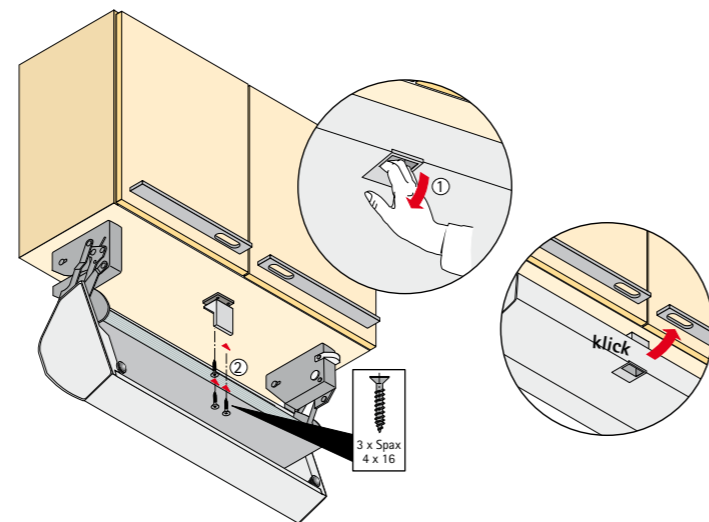
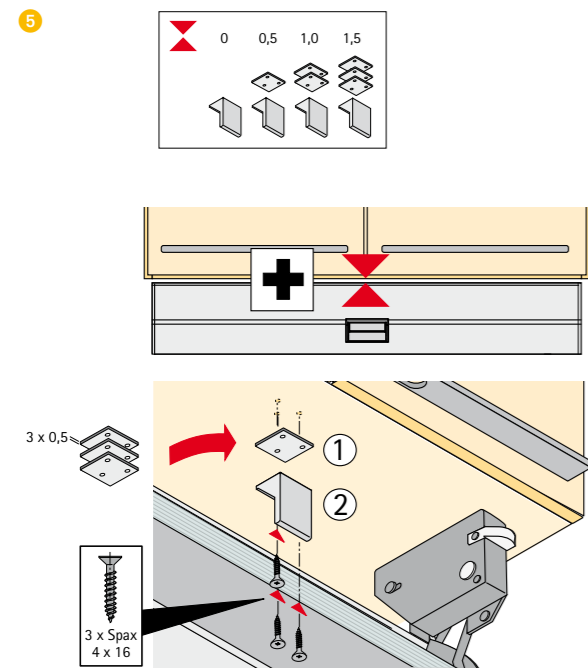
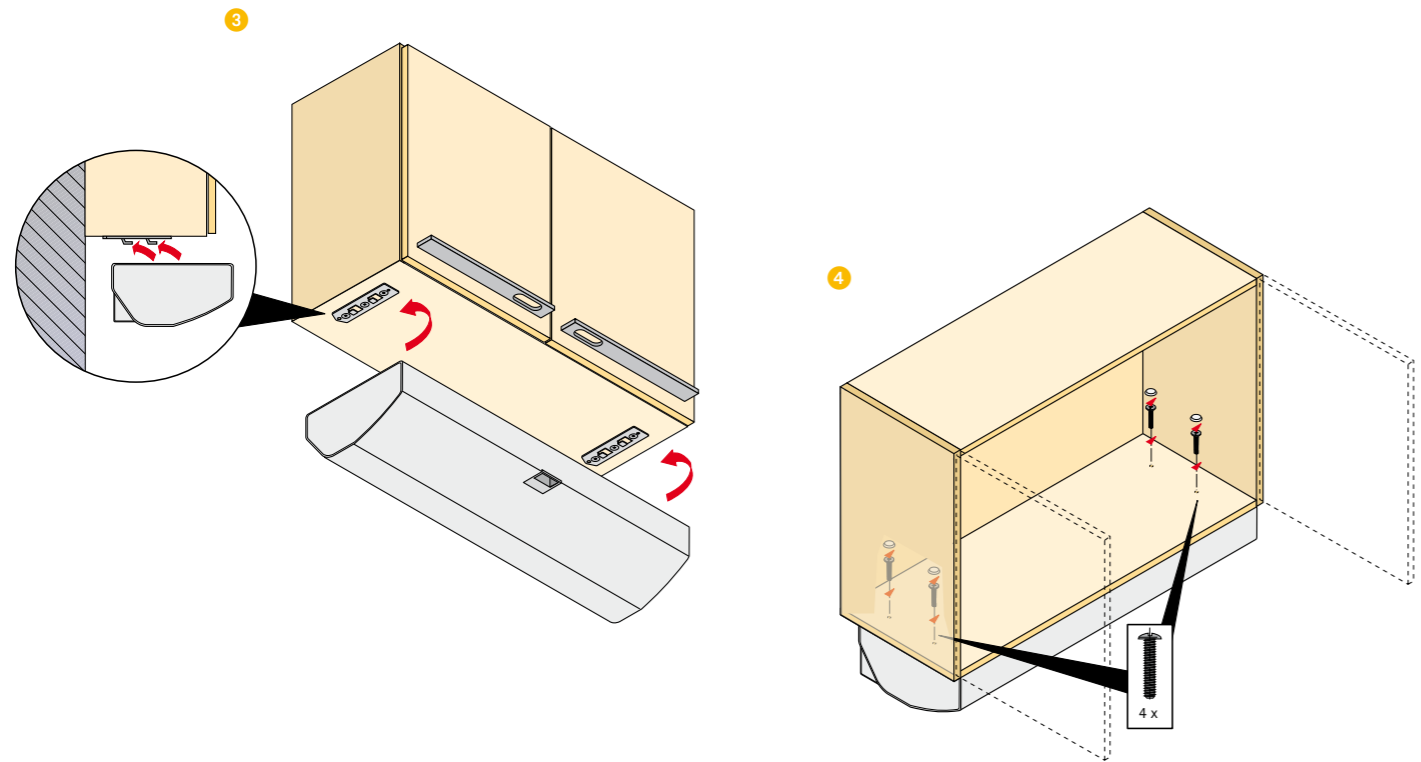
B	X
550	430
600	480
700	580
800	680
900	780
1000	880

All dimensions in mm

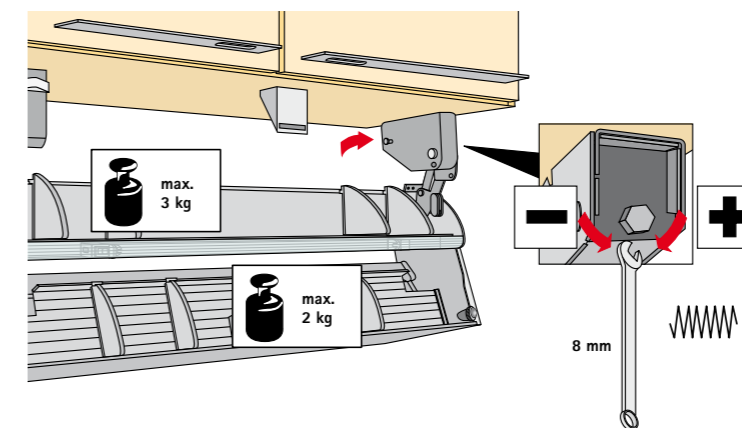
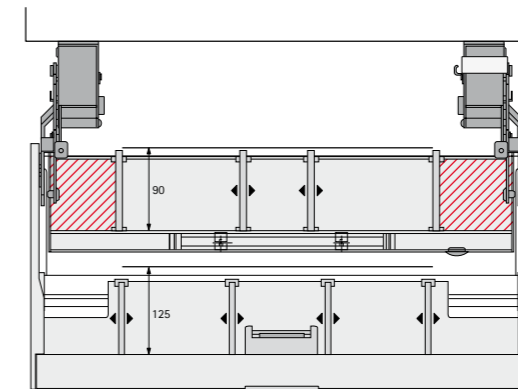
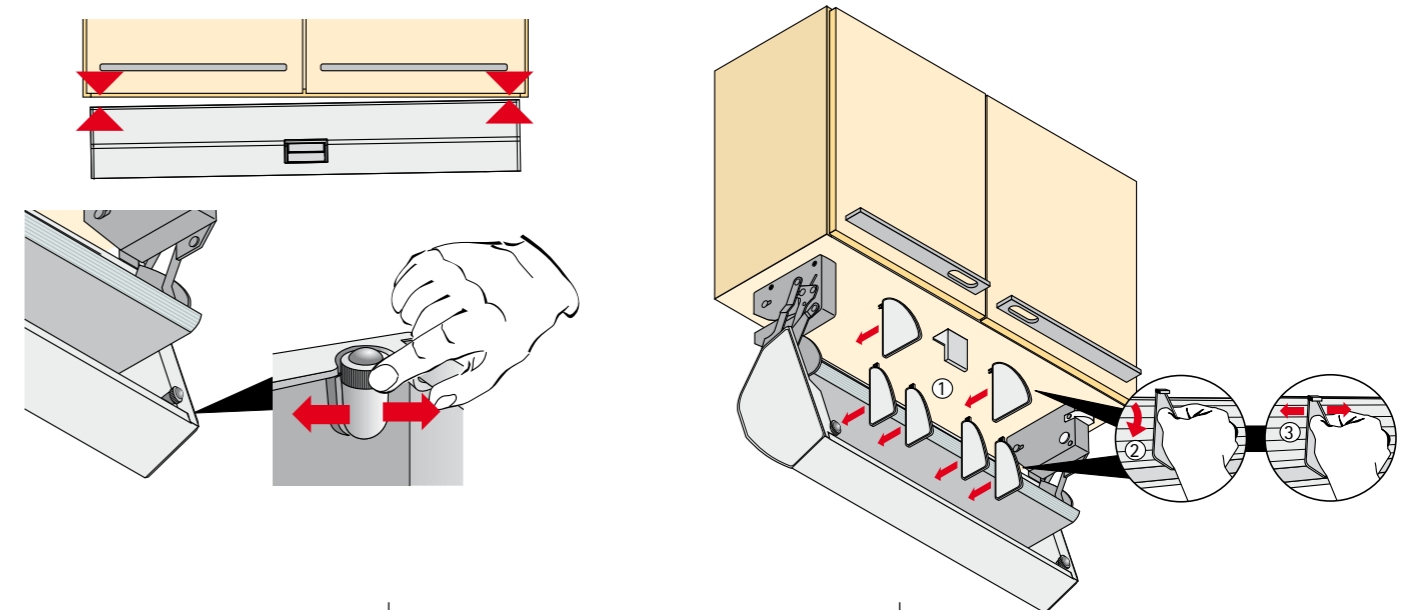




All dimensions in mm



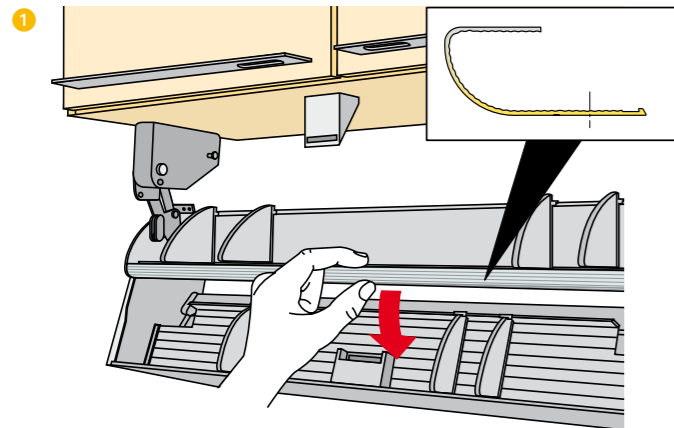
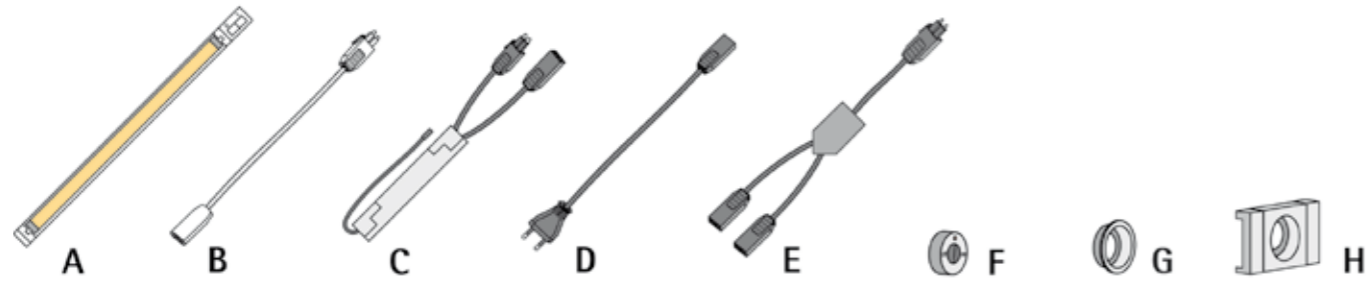
All dimensions in mm



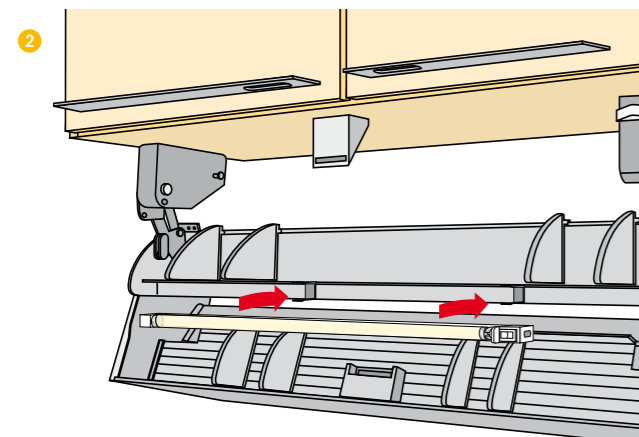
Assembly instructions for light



All dimensions in mm

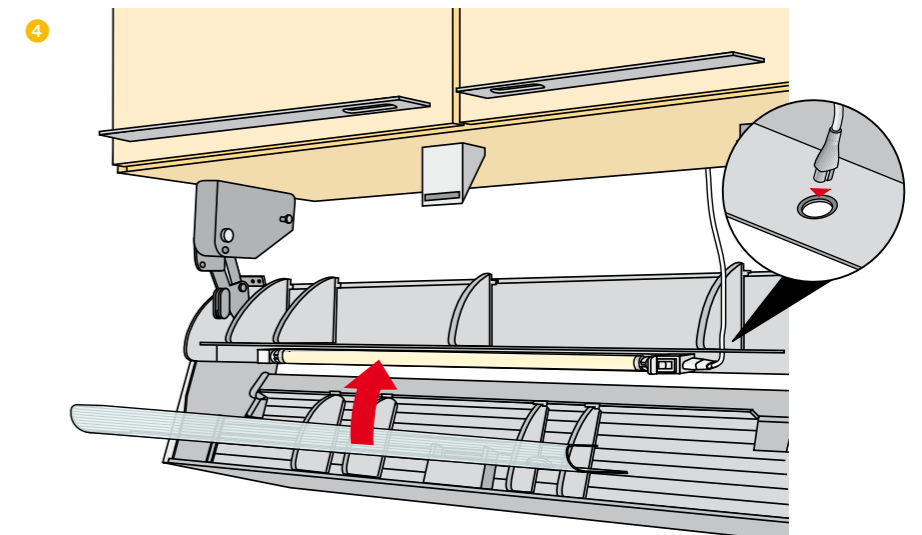
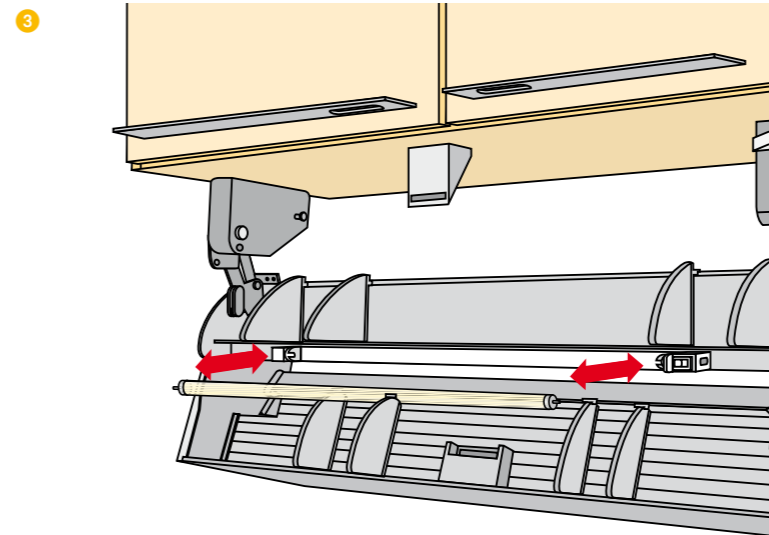


Order no. Light		For unit width	Order no. Cosario
A	46227	550	906 865 2
		600	906 203 2
		700	906 203 3
A	46228	800	906 203 4
		900	906 203 5
		1000	906 203 6
B	46237		
C	44301		
D	60082		
E	46711		
F	44304		
G	44308		
H	44309		



Assembly instructions for light

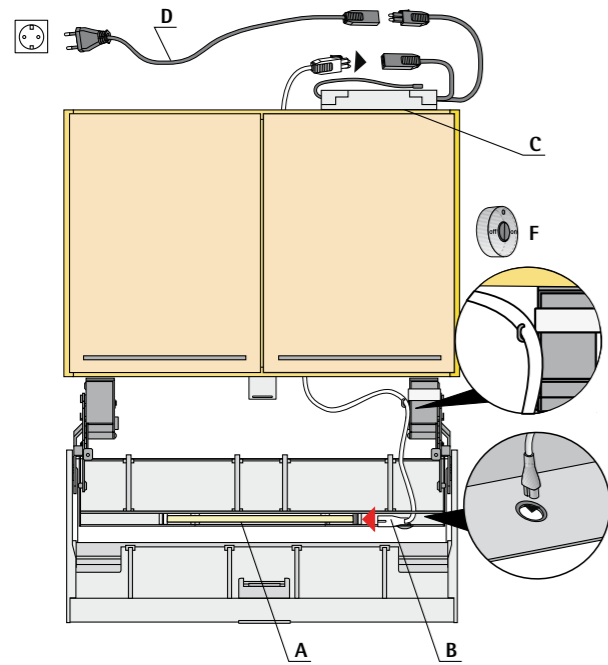
All dimensions in mm



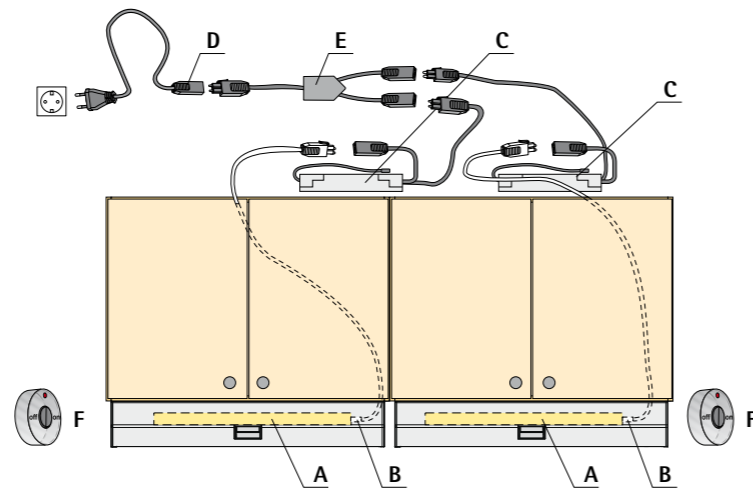


All dimensions in mm

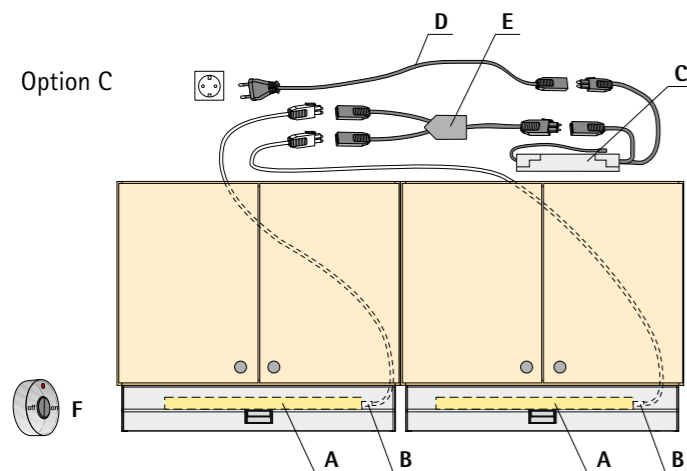
5 Option A



5 Option B

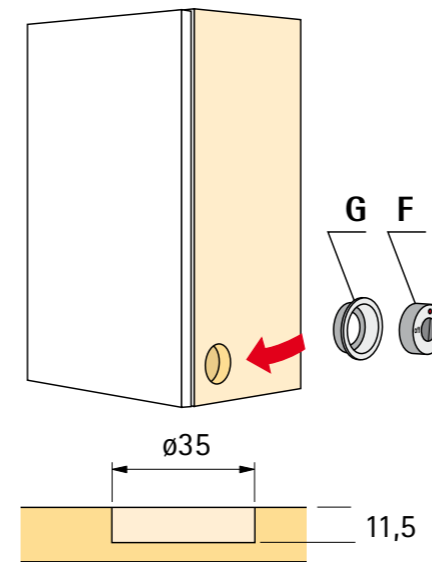


5 Option C



All dimensions in mm

6 Option A



6 Option B

