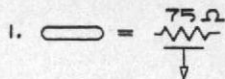


NOTE: UNLESS OTHERWISE SPECIFIED



2. = ALL UNITS UNDER TEST MOLEX PINS TO BE LOCATED TOGETHER.

3. = ALL TIMING MOLEX PINS TO BE LOCATED TOGETHER.

4. THIS SCHEMATIC REPRESENTS ASSY 610-0105 AT REV LEVEL: F.

FOR STANDARD SYSTEMS G9 15 341-0030, FOR EURO SYSTEMS G9 15 341-0060.

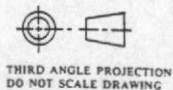
FOR STANDARD SYSTEMS Y1 15 14.318630 MHZ, FOR EURO SYSTEMS Y1 15 14.250450 MHZ.

REV.	ZONE	ECO #	REVISION	APPD
O2			ENG. RELEASE	
O3			PRE-PRODUCTION RELEASE	
E			PRE-PRODUCTION CHANGES	
E		504	ECO RELEASE	
E		544	DELETED CAP ARRAY (C1), AND N13, M13, K13, N1, N10 WAS RC NETWORK, C5 WAS 47pF, Q1 WAS Q0 N.C. IS NOW 10STOPD. U20, 7 WAS COLORKILL, J20, 9 WAS FORCPAGE. DELETED M; MICROPROCESSER (B3)	
G		778	H8 WAS 150H; R15 WAS 47 OHM; R16 WAS 75 OHM. ADDED 1K OHM RESISTOR AT K10.	<i>LD</i> <i>6/25/79</i>
H		923	CHANGE CAP C22 FROM .1UF TO .022 UF, CHANGE RP-4	<i>LD</i> <i>1-12-80</i> <i>6/25/80</i>

APPLE COMPUTER CONFIDENTIAL

ENGINEERING RELEASE
This revision supersedes all previous versions. Please destroy all old copies.

NOTICE OF PROPRIETARY PROPERTY
The information contained herein is the proprietary property of Apple Computer, Inc. The possessor agrees to the following:
(I) To maintain this document in confidence.
(II) Not to reproduce or copy it.
(III) Not to reveal or publish it in whole or part.



ITEM	QTY	PART NUMBER	DESCRIPTION
TOLERANCES UNLESS OTHERWISE SPECIFIED DIMENSIONS ARE IN INCHES. DECIMALS .X ± .01 .XX ± .005 .XXX ± .001 ANGLES XX.X ± .1 FRACTIONS DIMENSIONS IN PARENTHESIS ARE IN MILLIMETERS.			DRAWN BY VFB DATE 9-4-79 CHECKED BY J. MacDonall DATE 8-19-80 APPROVED BY J. MacDonall DATE 8-19-80 RELEASED BY [Signature] DATE 6-25-80
MATERIAL: N/A			apple computer inc. TITLE - SCHEMATIC APPLE /// MAIN LOGIC # 2 DRAWING NUMBER 050-0039-H SCALE: NONE. SHEET 1 OF 10
FINISH: N/A			

DRAWING NUMBER
050-0039-H
SHEET 1 OF 10

NOTE: UNLESS OTHERWISE SPECIFIED

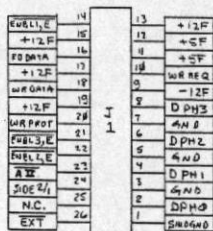
APPLE COMPUTER CONFIDENTIAL

ENGINEERING RELEASE

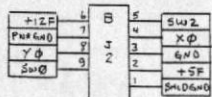
This revision supersedes all previous versions.
Please destroy all old copies.

NOTICE OF PROPRIETARY PROPERTY
The information contained herein is the proprietary property of Apple Computer, Inc. The possessor agrees to the following:

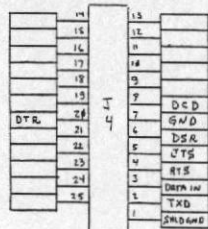
- (I) To maintain this document in confidence.
- (II) Not to reproduce or copy it.
- (III) Not to reveal or publish it in whole or part.



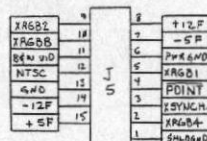
DISK (EXTERNAL)
(26 PIN RIBBON)



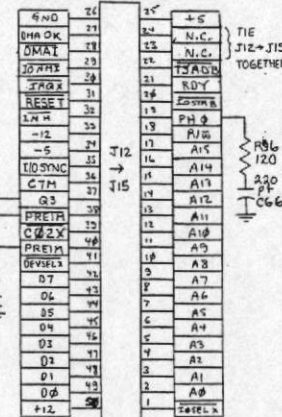
PADDLES & PRINTER
(9 PIN 'D')



SERIAL
(25 PIN 'D')

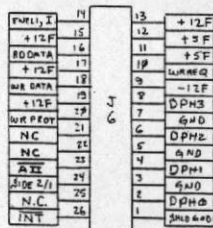


ANNUNCIATORS
& VIDEO
(15 PIN 'D')

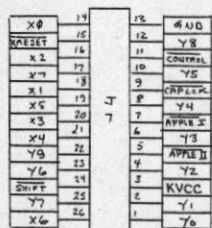


4 PERIPHERAL CONNECTORS
X CONNECTOR

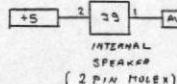
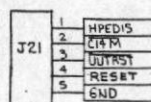
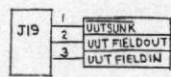
X	CONNECTOR
1	J 12
2	J 13
3	J 14
4	J 15



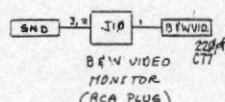
DISK (INTERNAL)
(26 PIN RIBBON)



KEYBOARD
(26 PIN RIBBON)



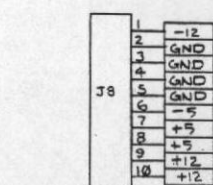
INTERNAL SPEAKER
(2 PIN MOLEX)



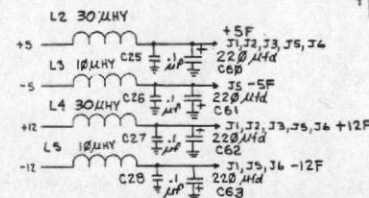
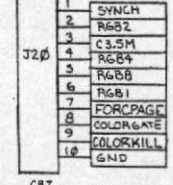
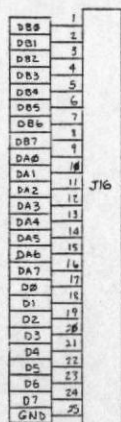
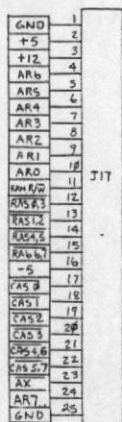
B/W VIDEO MONITOR
(ACA PLUG)



EXTERNAL SPEAKER
(MINIATURE PHONE JACK)



POWER

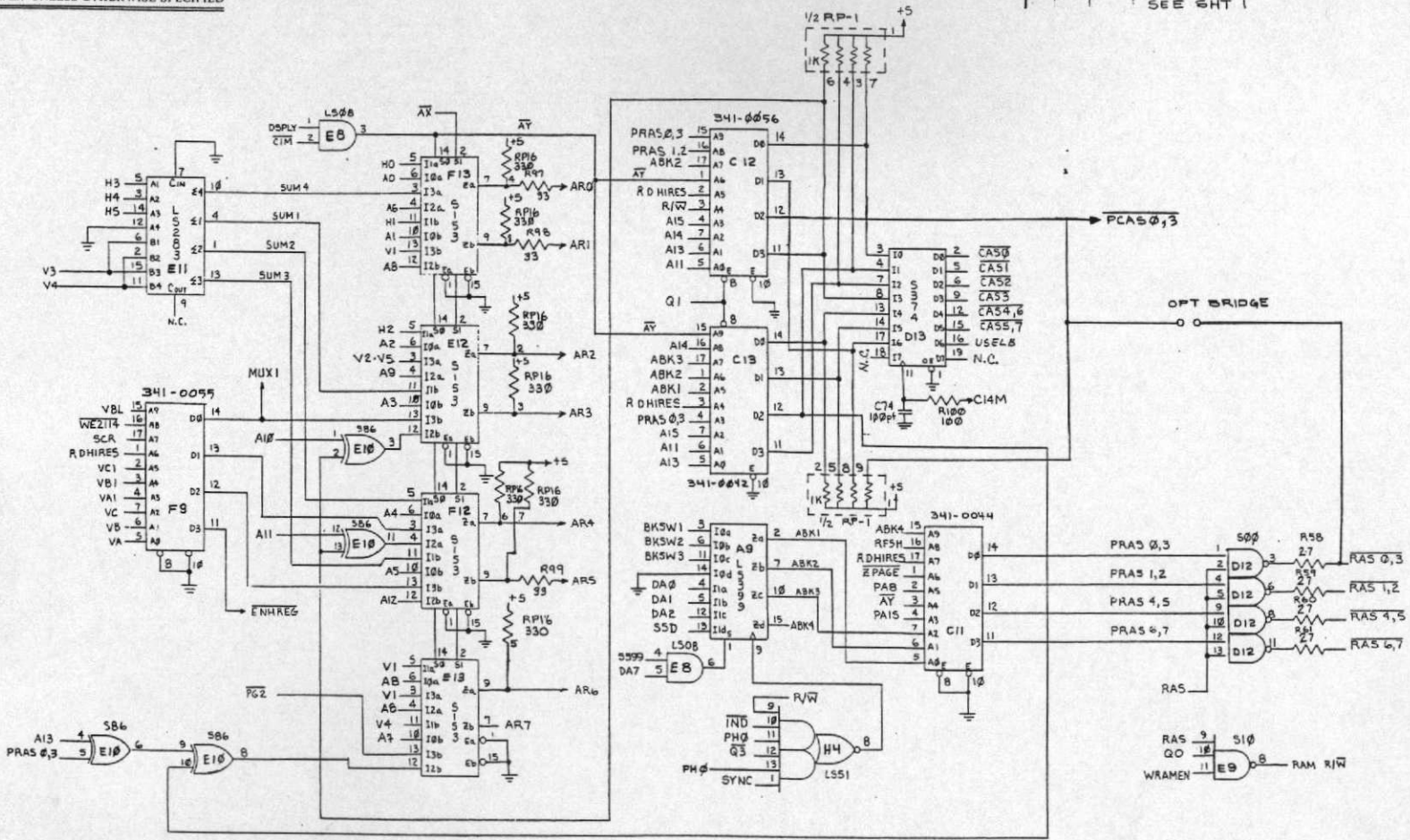


ITEM	QTY	PART NUMBER	DESCRIPTION
<p>TOLERANCES UNLESS OTHERWISE SPECIFIED DIMENSIONS ARE IN INCHES.</p> <p>DECIMALS .X ± = .XX ± = .XXX ± =</p> <p>ANGLES FRACTIONS ± =</p> <p>DIMENSIONS IN PARENTHESES ARE IN MILLIMETERS.</p>			
DRAWN BY: WFB		DATE: 9/14/79	<p>TITLE: SCHEMATIC APPLE III MAIN LOGIC BD #2</p>
CHECKED BY: [Signature]		DATE: Aug 19/80	
APPROVED BY: [Signature]		DATE: 8/19/80	
RECEIVED BY: [Signature]		DATE: 9/24/80	
MATERIAL:	N/A		SIZE: C
NEXT ASSY:			DRAWING NUMBER: 050-0039-H
FINISH:	N/A		SHEET 2 OF 10
SCALE:			

DRAWING NUMBER 050-0039-H SHEET 2 OF 10

NOTE: UNLESS OTHERWISE SPECIFIED

REV.	ZONE	ECO #	REVISION	APPD
			SEE SHT 1	



APPLE COMPUTER CONFIDENTIAL

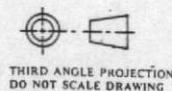
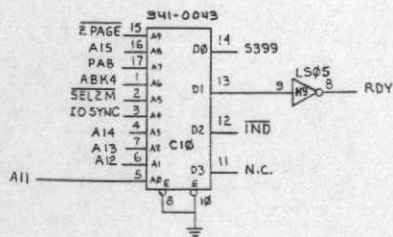
ENGINEERING RELEASE

This revision supersedes all previous versions. Please destroy all old copies.

NOTICE OF PROPRIETARY PROPERTY

The information contained herein is the proprietary property of Apple Computer, Inc. The possessor agrees to the following:

- (I) To maintain this document in confidence.
- (II) Not to reproduce or copy it.
- (III) Not to reveal or publish it in whole or part.



ITEM	QTY	PART NUMBER	DESCRIPTION
TOLERANCES UNLESS OTHERWISE SPECIFIED DIMENSIONS ARE IN INCHES.			
DRAWN BY C. J. FRAZ		DATE 1-5-80	 apple computer inc. TITLE SARA 3 ADDRESS LOGIC
CHECKED BY J. L. H.		DATE Nov. 15/80	
APPROVED BY J. L. H.		DATE 8/15/80	
RELEASED BY		DATE	
MATERIAL:			SIZE C
NEXT ASSY. FINISH:			DRAWING NUMBER 050-0039-H
			SCALE:
			SHEET 3 OF 10

DRAWING NUMBER H-69E-000-0000 SHEET 3 OF 10

NOTE: UNLESS OTHERWISE SPECIFIED
R1-R3

REV.	ZONE	ECO #	REVISION	APPD
			SEE SHEET 1	

D

C

B

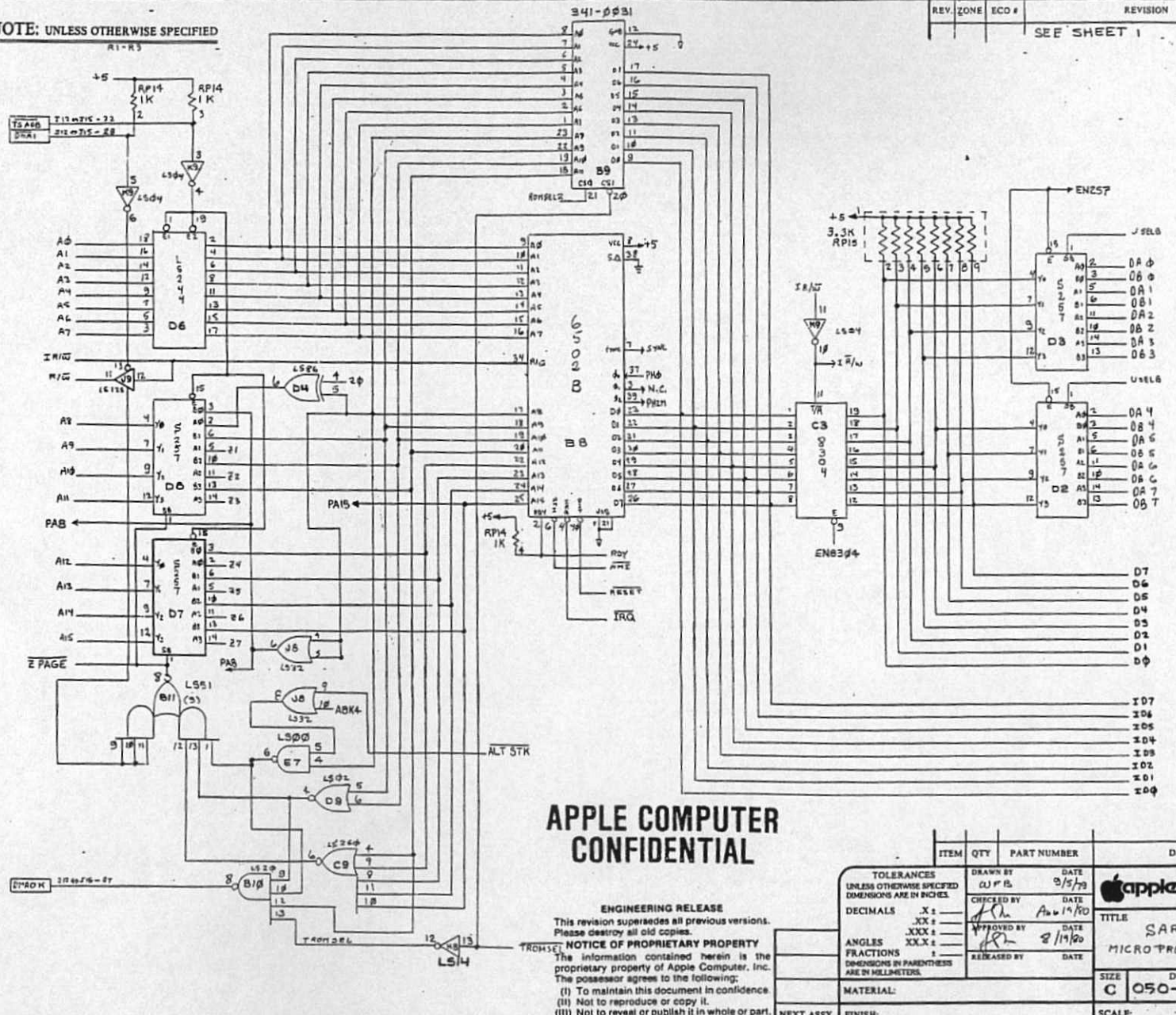
A

D

C

B

A



**APPLE COMPUTER
CONFIDENTIAL**

ENGINEERING RELEASE
This revision supersedes all previous versions.
Please destroy all old copies.
NOTICE OF PROPRIETARY PROPERTY
The information contained herein is the proprietary property of Apple Computer, Inc. The possessor agrees to the following:
(I) To maintain this document in confidence
(II) Not to reproduce or copy it.
(III) Not to reveal or publish it in whole or part.

ITEM	QTY	PART NUMBER	DESCRIPTION
<p>TOLERANCES UNLESS OTHERWISE SPECIFIED DIMENSIONS ARE IN INCHES. DECIMALS .X 1 .XX 1 .XXX 1 FRACTIONS 1 ANGLES XXX X 1 MATERIAL: NEXT ASSY. FINISH:</p>			
DRAWN BY CJ 1/15		DATE 9/5/79	
CHECKED BY [Signature]		DATE 10/19/80	
APPROVED BY [Signature]		DATE 8/19/80	
RELEASED BY		DATE	
TITLE SARA 3 MICROPROCESSOR LOGIC			
SIZE C		DRAWING NUMBER 050-0039-H	
SCALE:		SHEET 4 OF 10	

DRAWING NUMBER: 050-0039-H, SHEET 4 OF 10

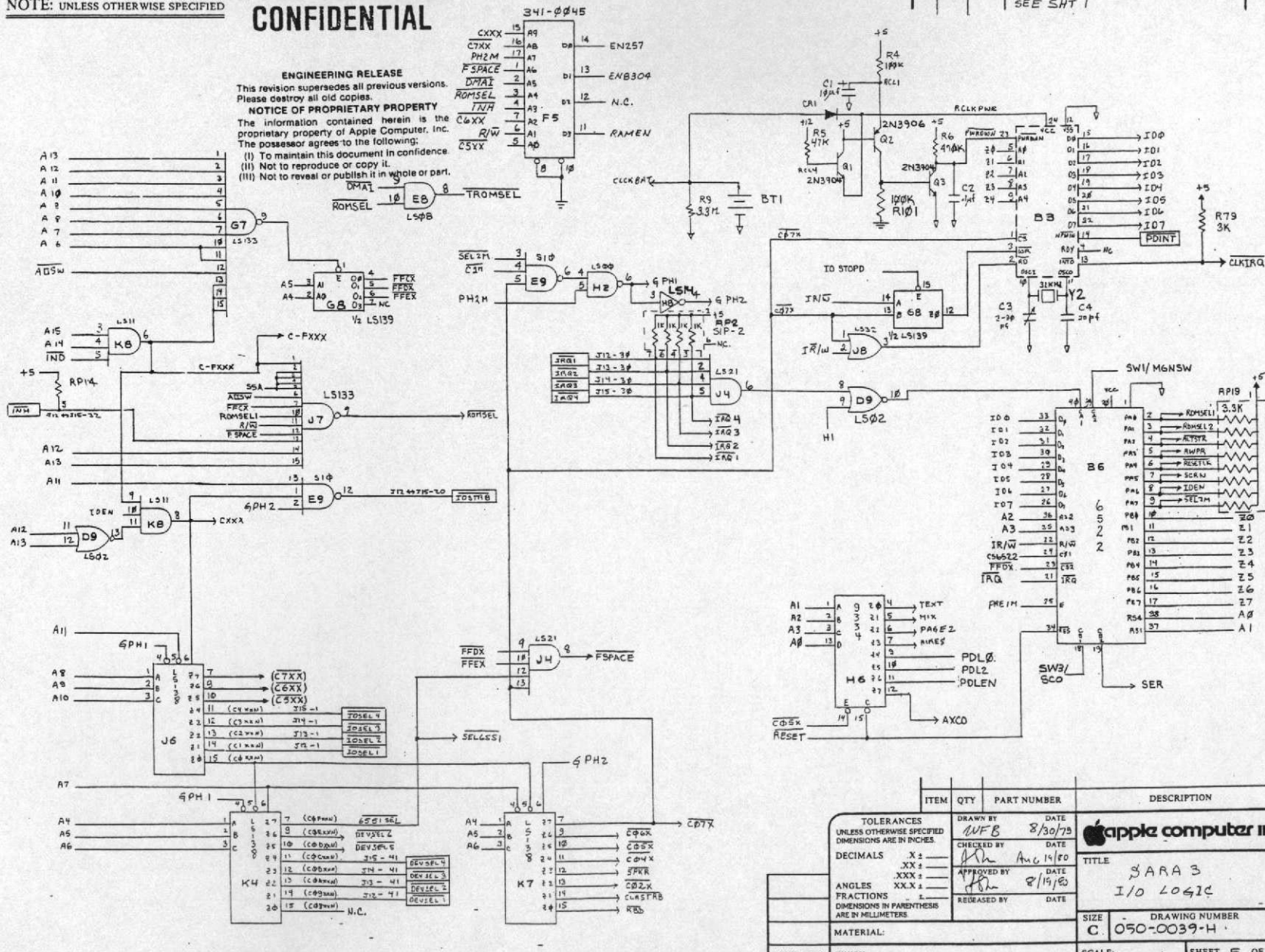
APPLE COMPUTER CONFIDENTIAL

ENGINEERING RELEASE

This revision supersedes all previous versions. Please destroy all old copies.

NOTICE OF PROPRIETARY PROPERTY

The information contained herein is the proprietary property of Apple Computer, Inc. The possessor agrees to the following:
(I) To maintain this document in confidence.
(II) Not to reproduce or copy it.
(III) Not to reveal or publish it in whole or part.



REV.	ZONE	ECO #	REVISION	APPD
			SEE SHT 1	

ITEM	QTY	PART NUMBER	DESCRIPTION
TOLERANCES UNLESS OTHERWISE SPECIFIED DIMENSIONS ARE IN INCHES			
DRAWN BY <i>WFB</i> DATE 8/30/79			
CHECKED BY <i>[Signature]</i> DATE <i>Aug 15/80</i>			
APPROVED BY <i>[Signature]</i> DATE 8/19/80			
RELEASED BY DATE			
MATERIAL:			
NEXT ASSY. FINISH:			
TITLE		DRAWING NUMBER	
SARAS		C. 050-0039-H	
I/O LOGIC		SCALE:	
SIZE		SHEET 5 OF 10	

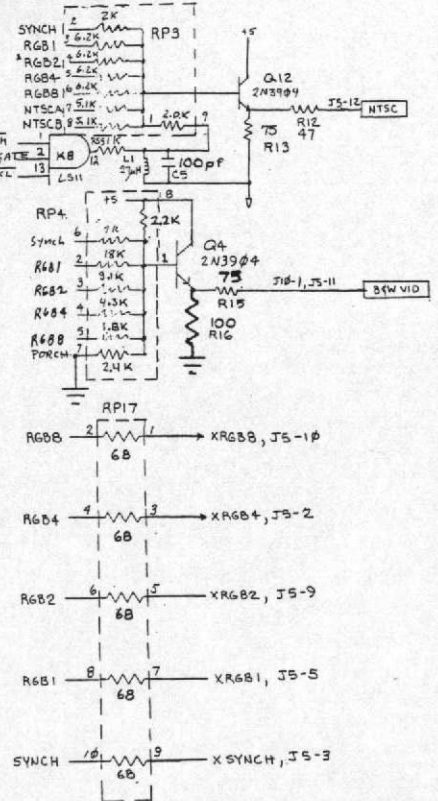
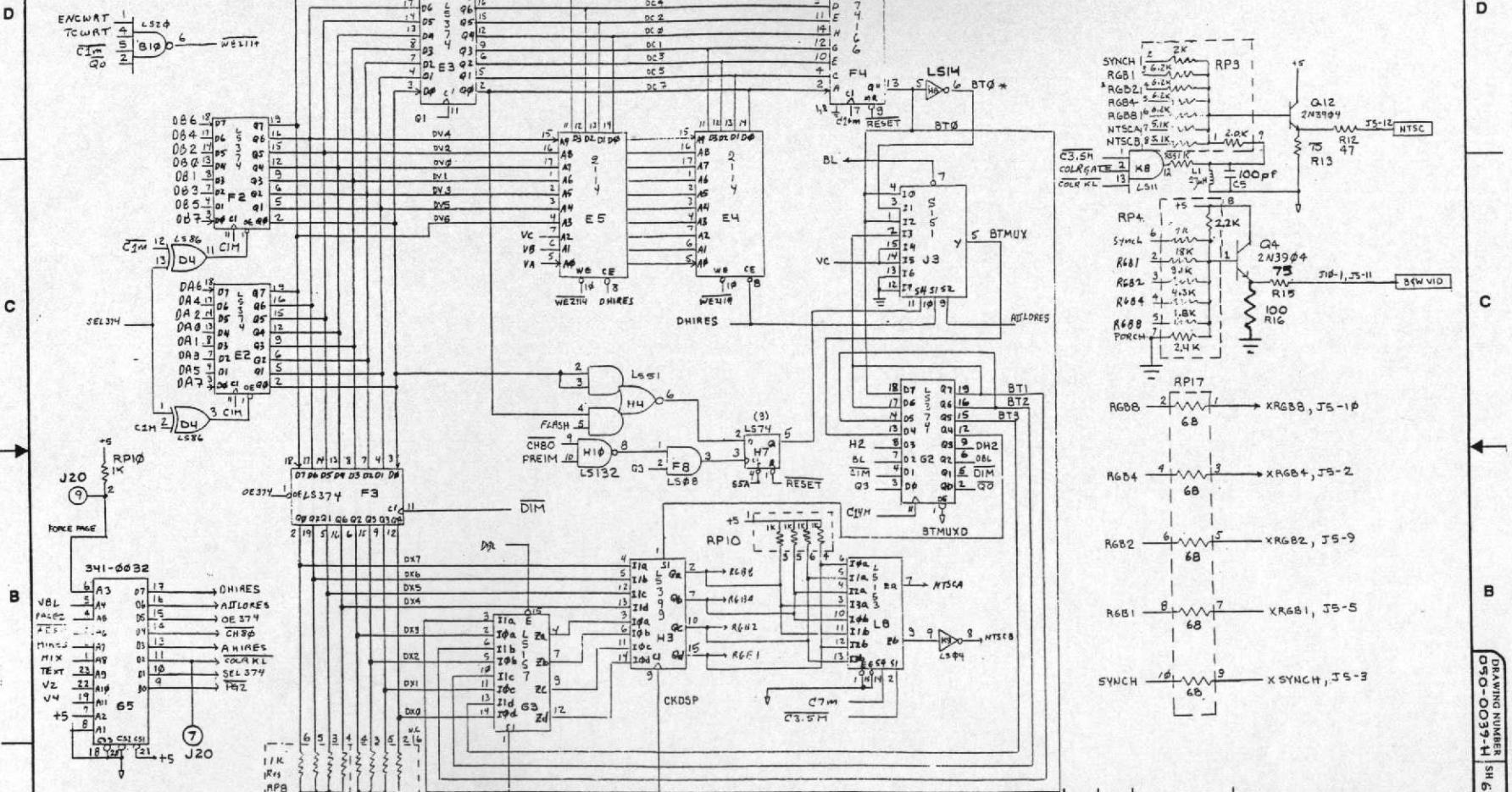
DRAWING NUMBER 050-0039-H SH. 5 OF 10

D
C
B
A

D
C
B
A

NOTE: UNLESS OTHERWISE SPECIFIED

REV.	ZONE	ECO #	REVISION	APPD
			SEE SHT 1	



**APPLE COMPUTER
CONFIDENTIAL**

ENGINEERING RELEASE
This revision supersedes all previous versions.
Please destroy all old copies.

NOTICE OF PROPRIETARY PROPERTY
The information contained herein is the
proprietary property of Apple Computer, Inc.
The possessor agrees to the following:

- (I) To maintain the document in confidence.
- (II) Not to reproduce or copy it.
- (III) To never publish whole or

ITEM	QTY	PART NUMBER	DESCRIPTION
TOLERANCES UNLESS OTHERWISE SPECIFIED DIMENSIONS ARE IN INCHES. DECIMALS .X = .XX = .XXX = ANGLES FRACTIONS 2 DIMENSIONS IN PARENTHESIS ARE IN MILLIMETERS.			
DRAWN BY W. Lawder		DATE 9/10/79	 apple computer inc. TITLE SARA 3 VIDEO LOGIC SIZE C DRAWING NUMBER 050-0039-H
CHECKED BY [Signature]		DATE Aug 15/80	
APPROVED BY [Signature]		DATE 8/11/80	
RELEASED BY		DATE	
MATERIAL:		SCALE:	
NEXT ASSY. FINISH:		SHEET 6 OF 10	

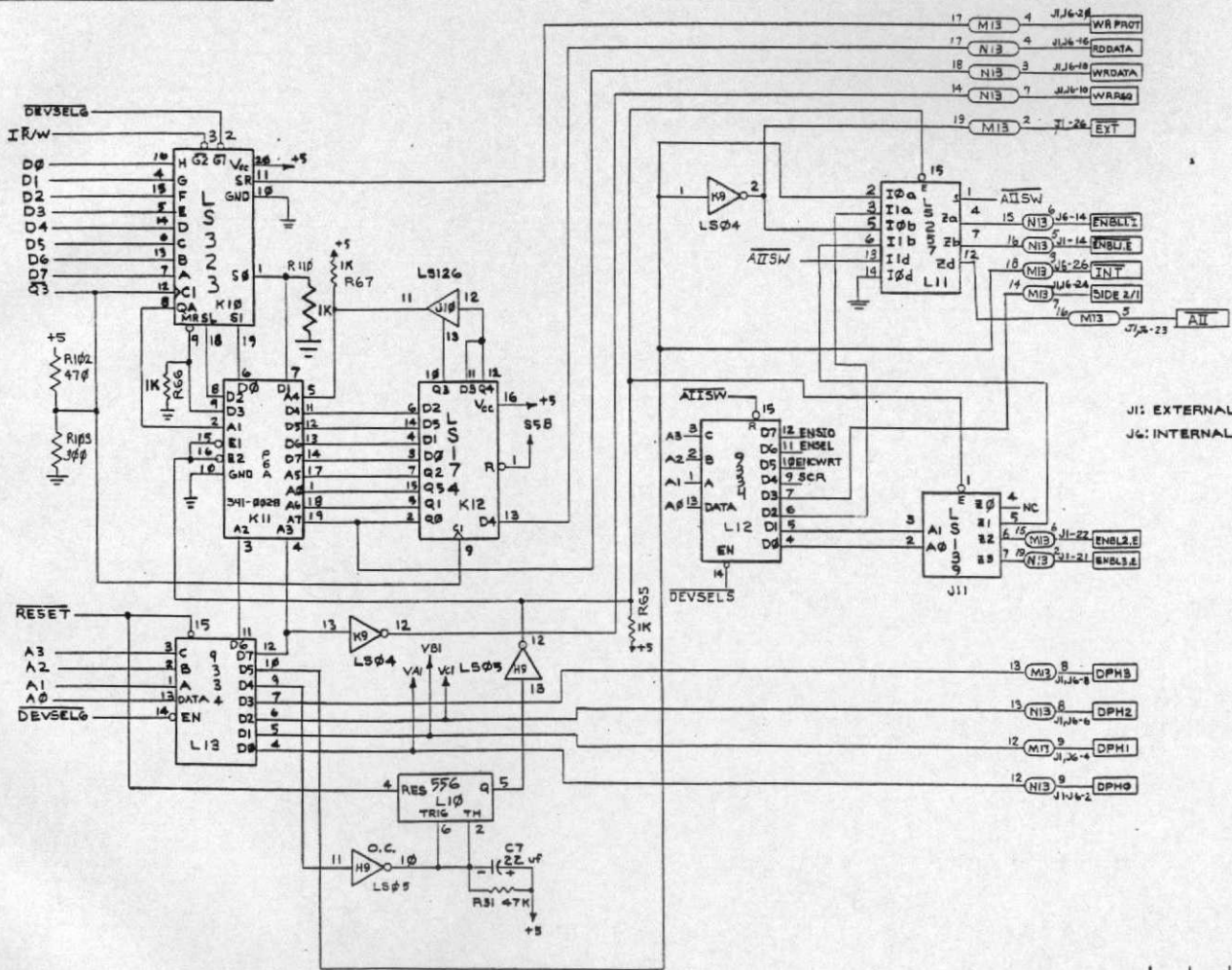
A

A

DRAWING NUMBER 050-0039-H SH 6 OF 10

NOTE: UNLESS OTHERWISE SPECIFIED

REV.	ZONE	ECO #	REVISION	APPD
			SEE SHT 1	



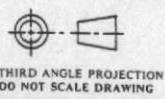
17	M13	4	J16-24	WR PROT
17	N13	4	J16-16	RDDATA
18	N13	3	J16-18	WRDATA
14	N13	7	J16-10	WRP60
19	M13	2	J1-26	EXT

J1: EXTERNAL
J6: INTERNAL

APPLE COMPUTER CONFIDENTIAL

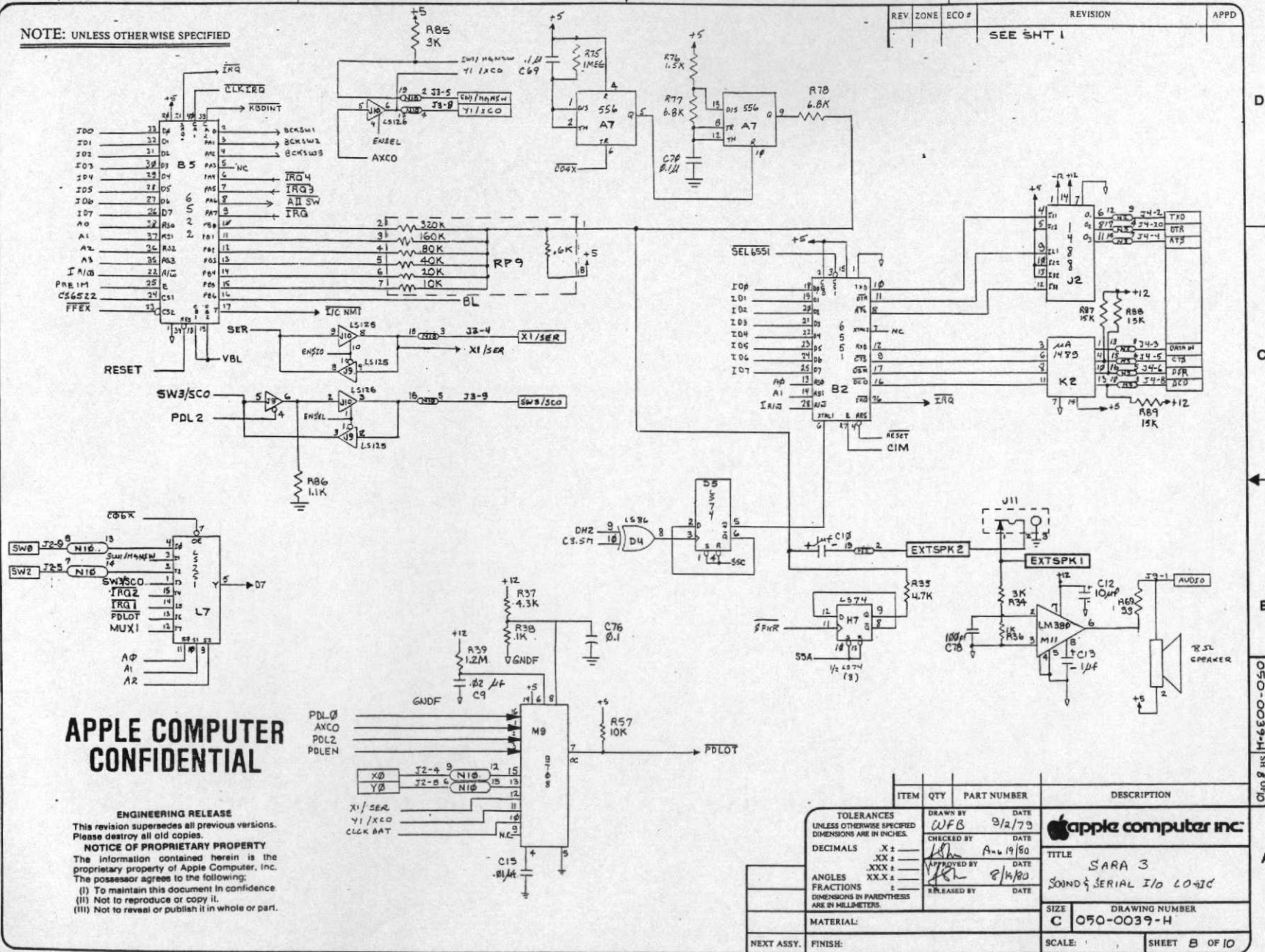
ENGINEERING RELEASE
 This revision supersedes all previous versions. Please destroy all old copies.
NOTICE OF PROPRIETARY PROPERTY
 The information contained herein is the proprietary property of Apple Computer, Inc. The possessor agrees to the following:
 (I) To maintain this document in confidence.
 (II) Not to reproduce or copy it.
 (III) Not to reveal or publish it in whole or part.

ITEM	QTY	PART NUMBER	DESCRIPTION
TOLERANCES UNLESS OTHERWISE SPECIFIED DIMENSIONS ARE IN INCHES. DECIMALS .X ± .XX ± .XXX ± XX.X ± ANGLES FRACTIONS DIMENSIONS IN PARENTHESIS ARE IN MILLIMETERS. MATERIAL:			
DRAWN BY <i>Derry</i> 1-8-71		DATE	
CHECKED BY <i>AS</i> 1/17/80		DATE	
APPROVED BY <i>AS</i> 2/19/80		DATE	
RELEASED BY		DATE	
NEXT ASSY. FINISH:		SCALE: REV D SHEET 7 OF 10	
TITLE SARA 3 DISK LOGIC			DRAWING NUMBER C 050-0039-H



DRAWING NUMBER
H-639-3
SH 7 OF 10

NOTE: UNLESS OTHERWISE SPECIFIED



APPLE COMPUTER CONFIDENTIAL

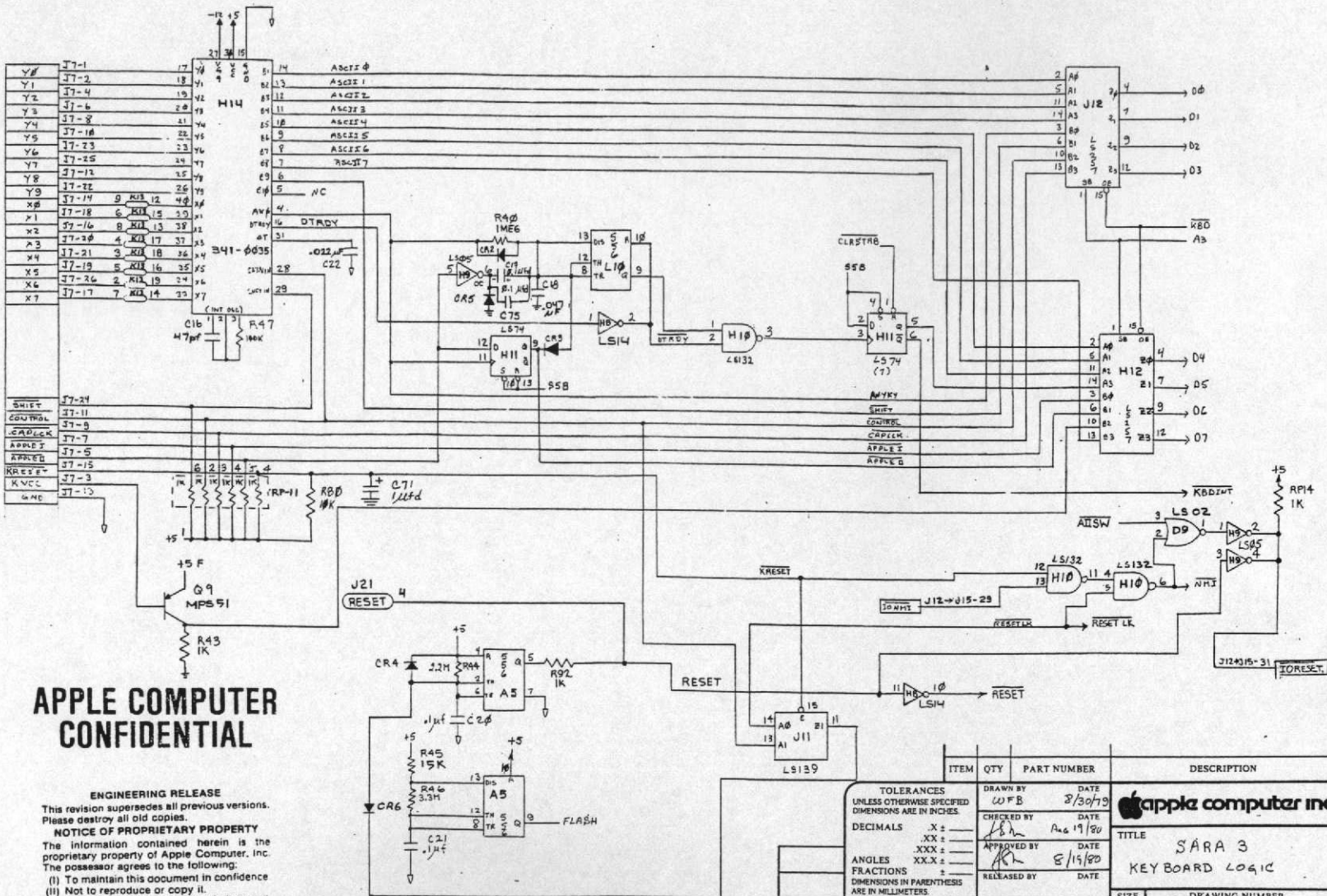
ENGINEERING RELEASE
This revision supersedes all previous versions. Please destroy all old copies.
NOTICE OF PROPRIETARY PROPERTY
The information contained herein is the proprietary property of Apple Computer, Inc. The possessor agrees to the following:
(I) To maintain this document in confidence
(II) Not to reproduce or copy it.
(III) Not to reveal or publish it in whole or part.

ITEM	QTY	PART NUMBER	DESCRIPTION
<p>TOLERANCES UNLESS OTHERWISE SPECIFIED DIMENSIONS ARE IN INCHES</p> <p>DECIMALS .X2 .XXX ANGLES XX.X FRACTIONS DIMENSIONS IN PARENTHESES ARE IN MILLIMETERS</p>			
DRAWN BY		DATE	<p>apple computer inc.</p> <p>TITLE SARA 3 SOUND & SERIAL I/O LOGIC</p> <p>SIZE C DRAWING NUMBER 050-0039-H</p>
CHECKED BY		DATE	
APPROVED BY		DATE	
RELEASED BY		DATE	
MATERIAL:			
NEXT ASSY.	FINISH:		SCALE: SHEET 8 OF 10

DRAWING NUMBER 050-0039-H SH 8 OF 10

NOTE: UNLESS OTHERWISE SPECIFIED

REV.	ZONE	ECO #	REVISION	APPD
			SEE SMT 1	



**APPLE COMPUTER
CONFIDENTIAL**

ENGINEERING RELEASE

This revision supersedes all previous versions. Please destroy all old copies.

NOTICE OF PROPRIETARY PROPERTY

The information contained herein is the proprietary property of Apple Computer, Inc. The possessor agrees to the following:

- (I) To maintain this document in confidence
- (II) Not to reproduce or copy it.
- (III) Not to reveal or publish it in whole or part.

ITEM	QTY	PART NUMBER	DESCRIPTION
<p>TOLERANCES UNLESS OTHERWISE SPECIFIED DIMENSIONS ARE IN INCHES.</p> <p>DECIMALS .X ±</p> <p>ANGLES .XX ±</p> <p>FRACTIONS XX/X ±</p> <p>DIMENSIONS IN PARENTHESES ARE IN MILLIMETERS</p>			
DRAWN BY		DATE	<p>apple computer inc.</p> <p>TITLE SARA 3 KEY BOARD LOGIC</p> <p>SIZE C DRAWING NUMBER 050-0039-H</p> <p>SCALE: SHEET 9 OF 10</p>
CHECKED BY		DATE	
APPROVED BY		DATE	
RELEASED BY		DATE	
MATERIAL:			
NEXT ASSY. FINISH:			

DRAWING NUMBER 050-0039-H SHEET 9 OF 10

NOTE: UNLESS OTHERWISE SPECIFIED

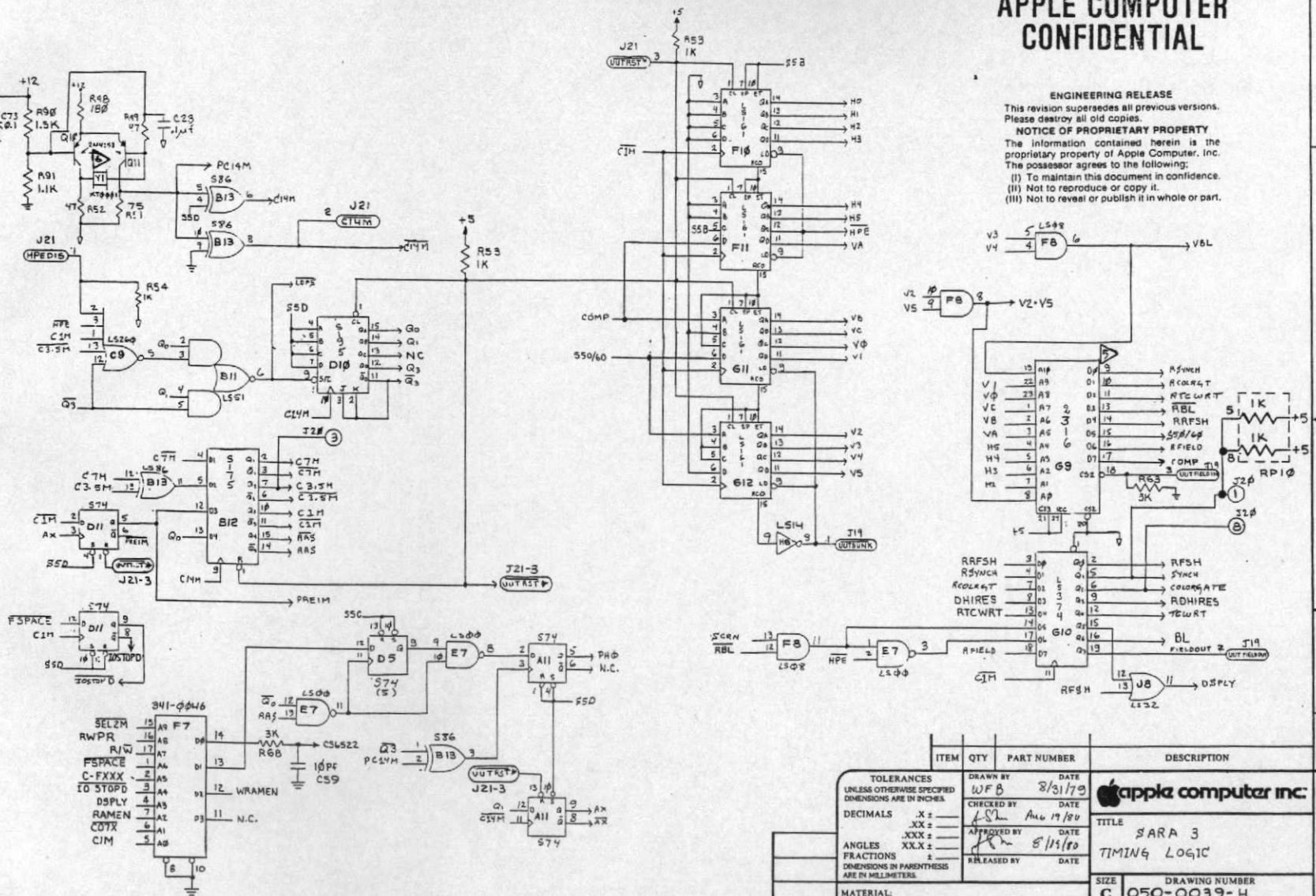
REV	ZONE	ECO #	REVISION	APPD
			SEE SHT 1	

APPLE COMPUTER CONFIDENTIAL

ENGINEERING RELEASE
This revision supersedes all previous versions.
Please destroy all old copies.

NOTICE OF PROPRIETARY PROPERTY
The information contained herein is the
proprietary property of Apple Computer, Inc.
The possessor agrees to the following:

- (I) To maintain this document in confidence.
- (II) Not to reproduce or copy it.
- (III) Not to reveal or publish it in whole or part.



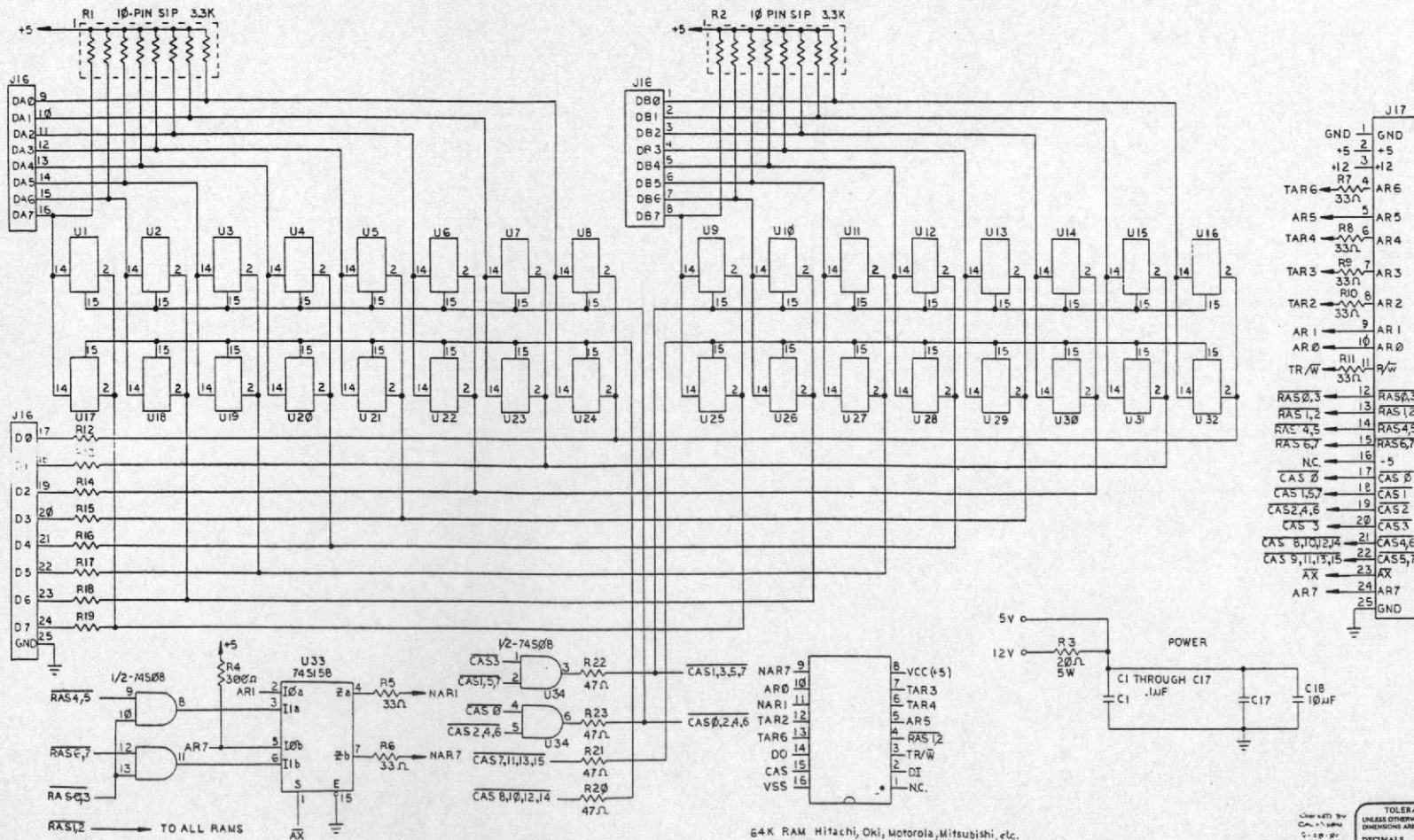
ITEM	QTY	PART NUMBER	DESCRIPTION
TOLERANCES UNLESS OTHERWISE SPECIFIED DIMENSIONS ARE IN INCHES			
DECIMALS	.X ±		
	.XX ±		
	.XXX ±		
ANGLES	XXX ±		
FRACTIONS	XX/XX ±		
DIMENSIONS IN PARENTHESES ARE IN MILLIMETERS			
MATERIAL:			
NEXT ASSY:	FINISH:		
DRAWN BY WFB		DATE 8/31/79	 TITLE SARA 3 TIMING LOGIC
CHECKED BY		DATE	
APPROVED BY		DATE	
RELEASED BY		DATE	
SIZE C		DRAWING NUMBER 050-0039-4	
SCALE:		SHEET 10 OF 10	

H-66000-0100

NOTE: UNLESS OTHERWISE SPECIFIED

R12 THRU R19 ARE 100Ω.

REV. ZONE	ECO #	REVISION	APPD
A	714	INITIAL RELEASE	
B	878	CORRECTED DATA CN J16 FROM DA0 TO D0	



64K RAM Hitachi, Oki, Motorola, Mitsubishi, etc.
4864, 3764, 6665, 58764

**APPLE COMPUTER
CONFIDENTIAL**

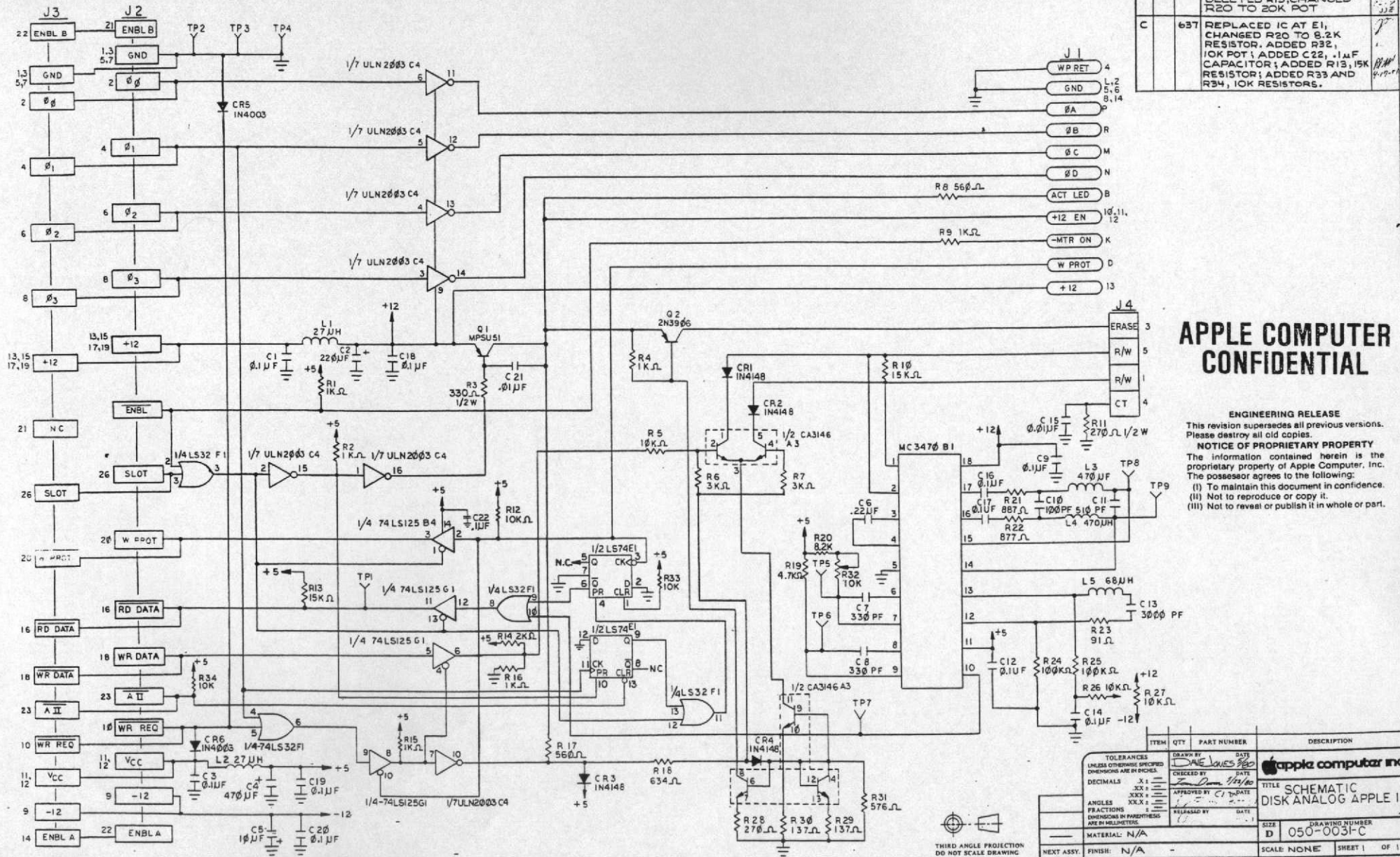
ENGINEERING RELEASE
This revision supersedes all previous versions.
Please destroy all old copies.

NOTICE OF PROPRIETARY PROPERTY
The information contained herein is the
proprietary property of Apple Computer, Inc.
The possessor agrees to the following:
(I) To maintain this document in confidence.
(II) Not to reproduce or copy it.
(III) Not to reveal or publish it in whole or part.

ITEM	QTY	PART NUMBER	DESCRIPTION
<p>TOLEANCES UNLESS OTHERWISE SPECIFIED DIMENSIONS ARE IN INCHES.</p> <p>DECIMALS .X X FRACTIONS XX X</p> <p>ANGLES IN DEGREES DIMENSIONS IN PARENTHESES ARE IN MILLIMETERS</p> <p>MATERIAL: _____ NEXT ASSY: _____ FINISH: _____</p>			
DRAWN BY: <i>Donny</i>		DATE: 5/20/81	
CHECKED BY: <i>Carl</i>		DATE: 5-20-81	
APPROVED BY: _____		DATE: _____	
RELEASED BY: _____		DATE: 5-20-81	
<p>apple computer inc.</p> <p>TITLE: SCHEMATIC APPLE III 5V MEMORY 50.-</p> <p>DRAWING NUMBER: 050-0044-B</p> <p>SIZE: D SCALE: _____ SHEET: 1 OF 1</p>			

THIRD ANGLE PROJECTION
DO NOT SCALE DRAWING

NOTE: UNLESS OTHERWISE SPECIFIED THIS SCHEMATIC REPRESENTS ASSY. 650-0201 AT REV. D



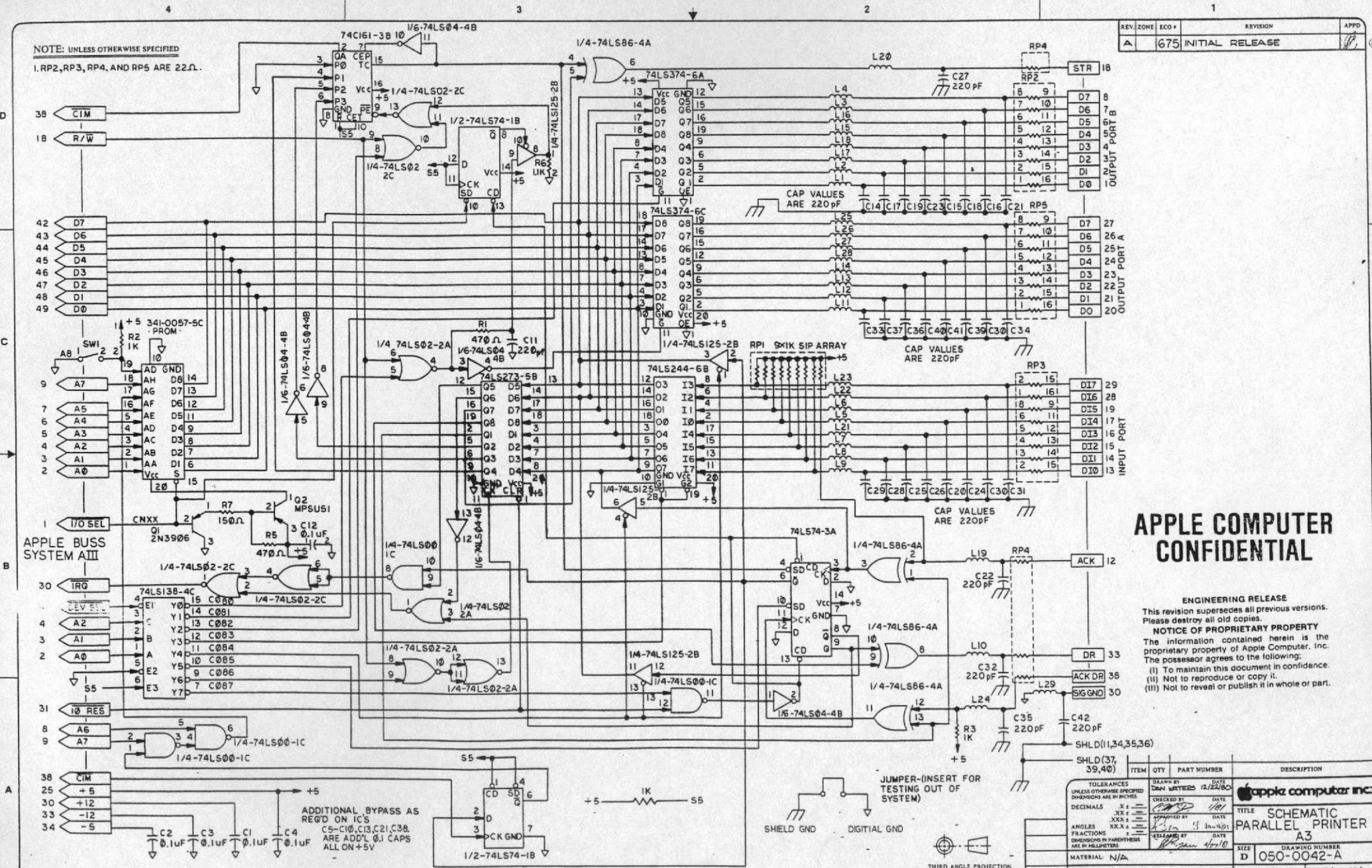
REV	ZONE	ECO #	REVISION	APPD
OO		423	INITIAL RELEASE	
B		617	REMOVED IC FROM E1, DELETED R15, CHANGED R20 TO 20K POT	
C		637	REPLACED IC AT E1, CHANGED R20 TO 8.2K RESISTOR; ADDED R32, 10K POT; ADDED C22, .1uF CAPACITOR; ADDED R13, 15K RESISTOR; ADDED R33 AND R34, 10K RESISTORS.	

APPLE COMPUTER CONFIDENTIAL

ENGINEERING RELEASE
 This revision supersedes all previous versions. Please destroy all old copies.
NOTICE OF PROPRIETARY PROPERTY
 The information contained herein is the proprietary property of Apple Computer, Inc. The possessor agrees to the following:
 (I) To maintain this document in confidence.
 (II) Not to reproduce or copy it.
 (III) Not to reveal or publish it in whole or part.

ITEM	QTY	PART NUMBER	DESCRIPTION
TOLERANCES UNLESS OTHERWISE SPECIFIED DIMENSIONS ARE IN INCHES DECIMALS .X FRACTIONS XX/XX DIMENSIONS IN PARENTHESES ARE IN MILLIMETERS MATERIAL: N/A FINISH: N/A			
DRAWN BY		DATE	
CHECKED BY		DATE	
APPROVED BY		DATE	
RELEASED BY		DATE	
apple computer inc. TITLE SCHEMATIC DISK ANALOG APPLE III SIZE D DRAWING NUMBER 050-0031-C SCALE NONE SHEET 1 OF 1			

NOTE: UNLESS OTHERWISE SPECIFIED
 1. RP2, RP3, RP4, AND RP5 ARE 22Ω.

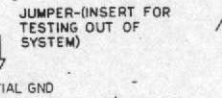


**APPLE COMPUTER
 CONFIDENTIAL**

ENGINEERING RELEASE
 This revision supersedes all previous versions. Please destroy all old copies.
NOTICE OF PROPRIETARY PROPERTY
 The information contained herein is the proprietary property of Apple Computer, Inc. The possessor agrees to the following:
 (I) To maintain this document in confidence.
 (II) Not to reproduce or copy it.
 (III) Not to reveal or publish it in whole or part.

ITEM	QTY	PART NUMBER	DESCRIPTION
TOLERANCES UNLESS OTHERWISE SPECIFIED DIMENSIONS ARE IN INCHES. DECIMALS .XX ± .005 FRACTIONS XX/64 ± .005 ANGLES XX.X ± .5 DIMENSIONS IN PARENTHESES ARE IN MILLIMETERS MATERIAL: N/A NEXT ASSY: FINISH: N/A			
DRAWN BY: <i>[Signature]</i>		DATE: 12/22/80	
CHECKED BY: <i>[Signature]</i>		DATE: 1/1/81	
APPROVED BY: <i>[Signature]</i>		DATE: 1/1/81	
RELEASED BY: <i>[Signature]</i>		DATE: 1/1/81	
TITLE: SCHEMATIC		DRAWING NUMBER: A3	
SIZE: D		SCALE: NONE	
SHEET 1		OF 1	

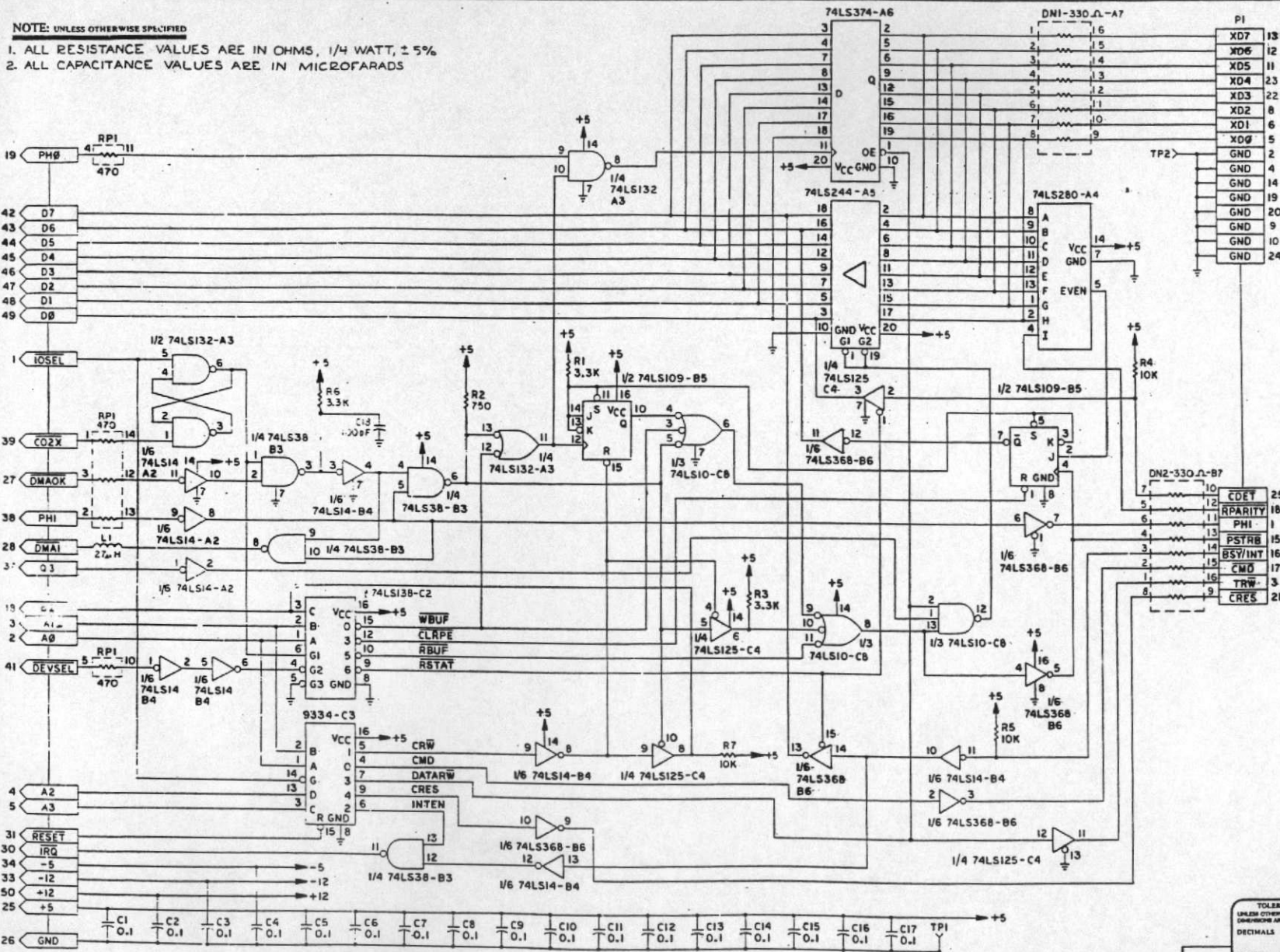
ADDITIONAL BYPASS AS REQD ON IC'S
 C5-C10, C13, C21, C38, ARE ADD'L .01 CAPS ALL ON +5V



THIRD ANGLE PROJECTION
 DO NOT SCALE DRAWING

NOTE: UNLESS OTHERWISE SPECIFIED

1. ALL RESISTANCE VALUES ARE IN OHMS, 1/4 WATT, ± 5%
2. ALL CAPACITANCE VALUES ARE IN MICROFARADS



REV	ZONE	ECO#	REVISION	APPD
A		PI63	INITIAL RELEASE	

APPLE COMPUTER CONFIDENTIAL

ENGINEERING RELEASE
 This revision supersedes all previous versions. Please destroy all old copies.

NOTICE OF PROPRIETARY PROPERTY
 The information contained herein is the proprietary property of Apple Computer, Inc. The possessor agrees to the following:
 (I) To maintain this document in confidence.
 (II) Not to reproduce or copy it.
 (III) Not to reveal or publish it in whole or part.

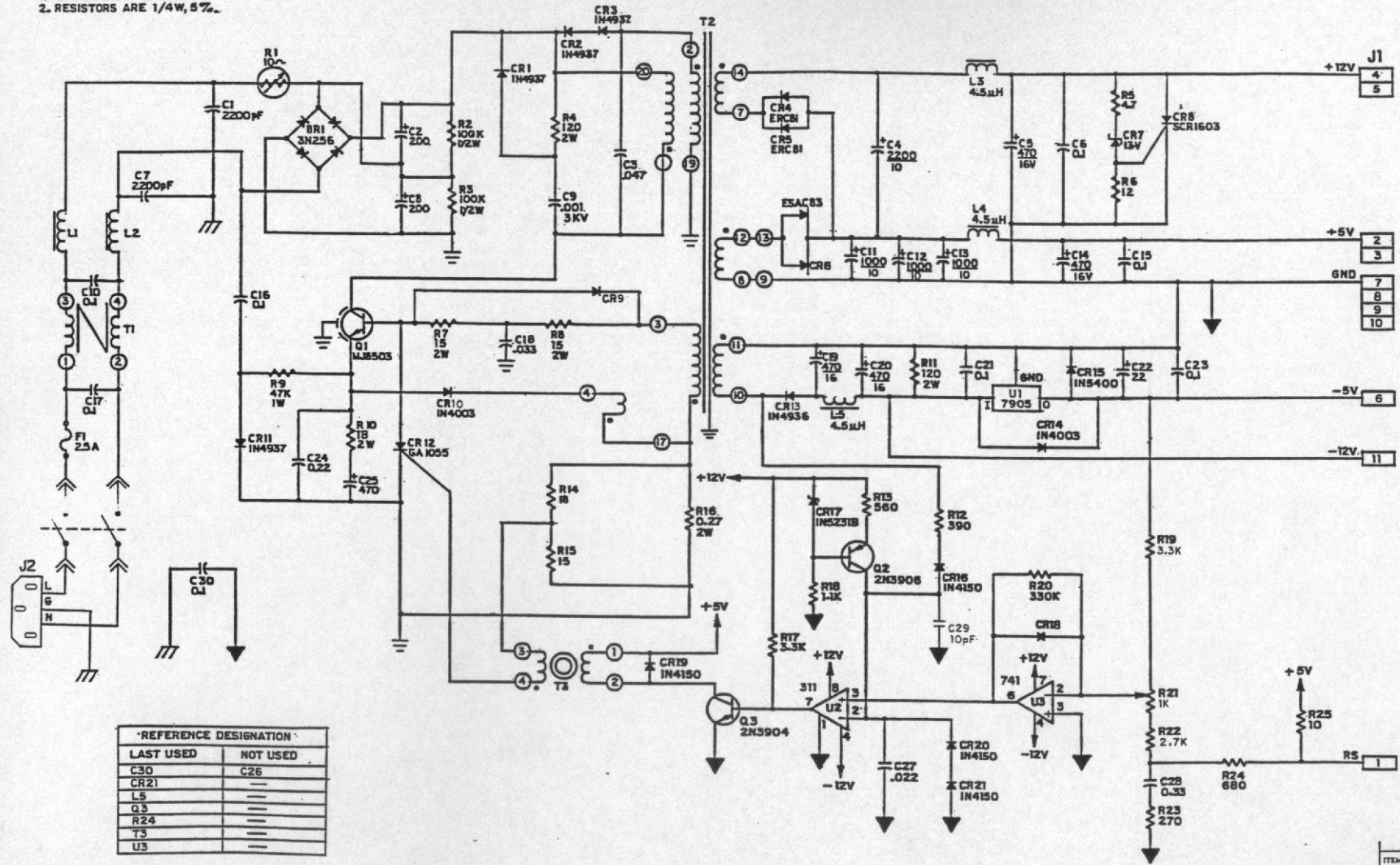
ITEM	QTY	PART NUMBER	DESCRIPTION
TOLERANCES: UNLESS OTHERWISE SPECIFIED DIMENSIONS ARE IN INCHES DECIMALS .X X ANGLES XX.X FRACTIONS XX/X DIMENSIONS IN PARENTHESES ARE IN MILLIMETERS			
DRAWN BY: Q. S. G. / 8/81 CHECKED BY: J. S. G. / 1/82 APPROVED BY: K. W. / 1/82 DATE: 1/82		TITLE: SCHEMATIC APPLE II INTERFACE PROFILE DRAWING NUMBER: 050-5007-A SIZE: D SCALE: _____ SHEET: _____ OF _____	



NOTE: UNLESS OTHERWISE SPECIFIED

1. CAPACITORS ARE IN μF .
2. RESISTORS ARE 1/4W, 5%.

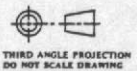
REV. ZONE	ECO #	KEYWORD	APPD	DATE
A	C206	INITIAL RELEASE		



REFERENCE DESIGNATION	
LAST USED	NOT USED
C30	C26
CR21	
L5	
Q3	
R24	
T3	
U3	

APPLE COMPUTER CONFIDENTIAL

ENGINEERING RELEASE
 This revision supersedes all previous versions. Please destroy all old copies.
NOTICE OF PROPRIETARY PROPERTY
 The information contained herein is the proprietary property of Apple Computer, Inc. The possessor agrees to the following:
 (I) To maintain this document in confidence
 (II) Not to reproduce or copy it.
 (III) Not to reveal or publish it in whole or part.



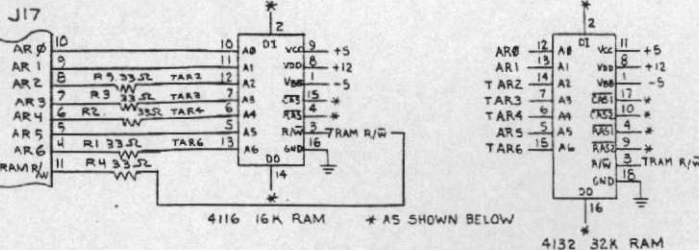
THIRD ANGLE PROJECTION
DO NOT SCALE DRAWING

TOLERANCES UNLESS OTHERWISE SPECIFIED DIMENSIONS ARE IN INCHES	DRAWN BY <i>F.M.L.</i>	DATE <i>10/82</i>	
DECIMALS - X 1	CHECKED BY <i>J.C.K.</i>	DATE	
ANGLES - X 1/4	APPROVED BY <i>[Signature]</i>	DATE	TITLE SCHEMATIC APPLE III POWER SUPPLY
FRACTIONS - X 1/8	RELEASED BY <i>[Signature]</i>	DATE	DRAWING NUMBER 050-0057-A
MATERIAL: -			SCALE NONE SHEET 1 OF 1
NEXT ASSY. FINISH: -			

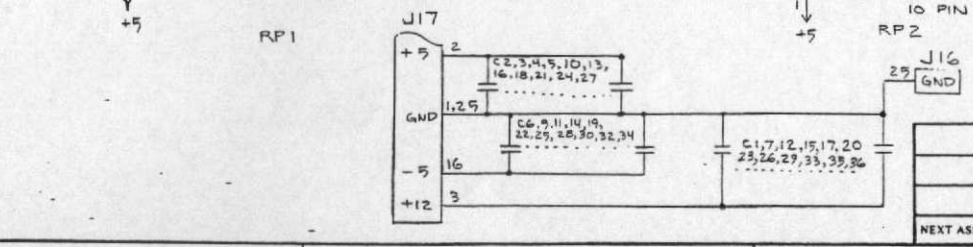
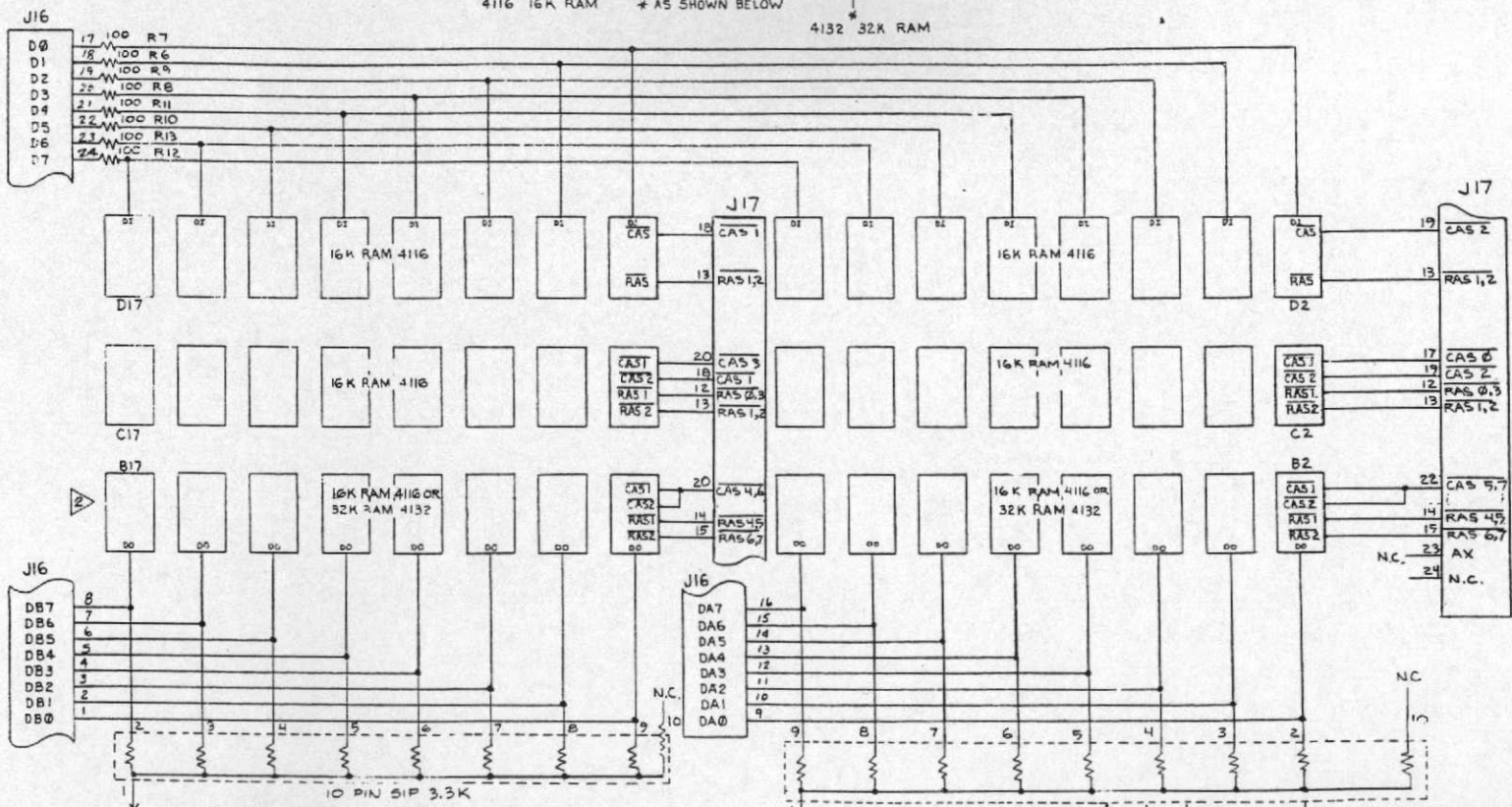
NOTE: UNLESS OTHERWISE SPECIFIED

1 THIS LOGIC REPRESENTS ASSY. G10-0196 REV. B AND ASSY. G10-0128 REV. A.

2 THE ASSY. THIS LOGIC REPRESENTS IS DEPENDENT ON THE RAM IN B2-B17. WHEN FILLED WITH 16K RAM IT REPRESENTS G10-0196 AND WHEN FILLED WITH 32K RAM IT REPRESENTS G10-0128.



REV	ZONE	ECO #	REVISION	APPD
D	17-86		REDRAWN TO UPDATED CHANGES, RAM ARRAY WAS COMBINED WITH ADDRESS LOGIC.	
04		PMRC	REVISED & UPDATED PER ENGINEERING CHANGE	
04		431	MFG. RELEASE	
E		476	ADDED NOTE 2 ROW C WAS 32K RAM 4132, ADDED 16K RAM 4116 TO ROW B CONVERTED TO ALPHA REVISION.	



ITEM	QTY	PART NUMBER	DESCRIPTION
<p>TOLERANCES UNLESS OTHERWISE SPECIFIED DIMENSIONS ARE IN INCHES</p> <p>DECIMALS .X ±</p> <p> .XX ±</p> <p> .XXX ±</p> <p>ANGLES XX.X ±</p> <p>FRACTIONS XX/X ±</p> <p>DIMENSIONS IN PARENTHESES ARE IN MILLIMETERS.</p>			
MATERIAL: N/A		FINISH: N/A	
DRAWN BY: C. Jones		DATE: 1-7-80	
CHECKED BY: [Signature]		DATE: 6/18/80	
APPROVED BY: [Signature]		DATE: 5/11/80	
RELEASED BY: [Signature]		DATE: 5-21-80	
TITLE SCHEMATIC, MAIN MEMORY BOARD APPLE III			SIZE: C
DRAWING NUMBER: 050-0032-E			SCALE: REV D
SHEET: 1			OF: 1

DRAWING NUMBER: 050-0032-E
 SHEET: 1 OF 1