

TYPE : RH9-AL-320 VER:A

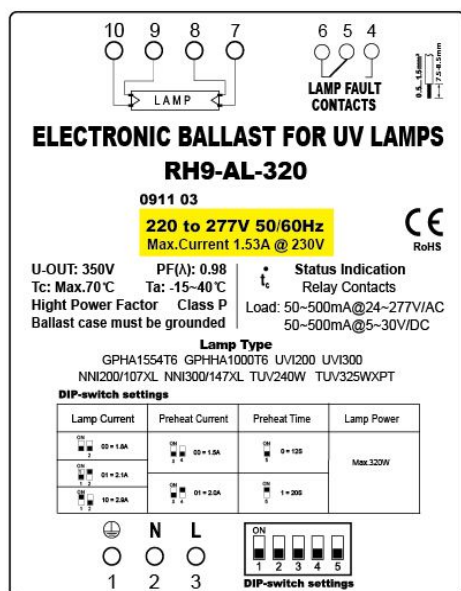
Preheat Start Ballast
AC Source : 198~305V 50/60Hz

Power : 200~320W

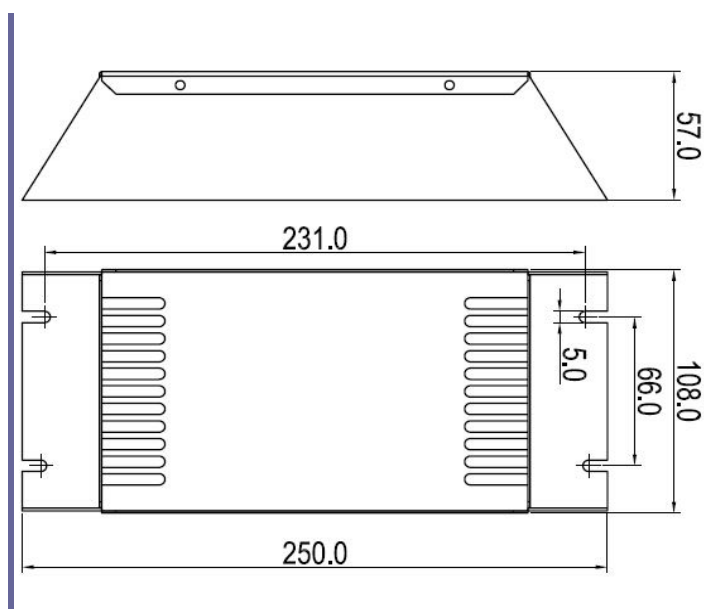
Product Picture



Product Label (Label Can be Customized)



Product Dimensions

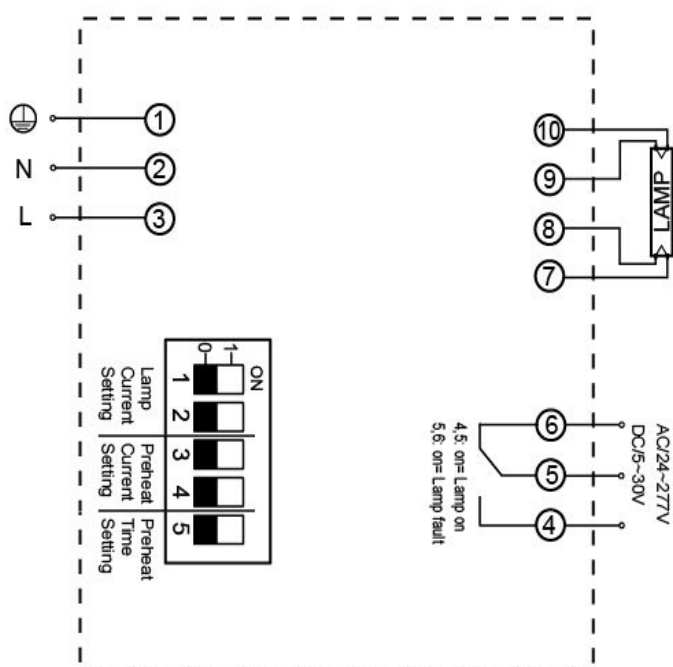


TYPE : RH9-AL-320 VER:A

Preheat Start Ballast
AC Source : 198~305V 50/60Hz

Power : 200~320W

Wiring Diagram



Features & Functions

- Preheat Start
- Limiting Current and Power
- Lamp Open Protection
- Lamp Fault Protection
- Status Indication:
 - ▶ Lamp status indication via LED indicators
green LED = lamp on red LED = lamp fault
 - ▶ Lamp status forwarding:
potential free relay contacts for lamp on / lamp fault
4,5: on=Lamp on 5,6: on=Lamp fault

Electrical Specification

- Input Mains Voltage: 220~277V±10%
- Input Line Frequency: 47~63Hz
- Input Current: Max.1.53A at 230Vrms
- Input Power: 215~340W
- Power Factor: 0.98 typ.
- Output Frequency: 25~38KHz
- Crest Factor: <1.7
- Current THD: <15% typ.
- Preheat Time: Optional 12S,20S
- Preheat Current: Optional 1.5A, 2.0A
- Output Current: Optional 1.8A, 2.1A, 2.9A typ.
- Lamp Power: 200~320W (Max. 320W)
- Lamp Type: 200~240W/1.8A
200~320W/2.1A
200~300W/2.9A
- Efficiency: 94% Max. load
- Status Indication: Green and red LED
- Relay Contacts: Load: 50~500mA@24~277V/AC
50~500mA@5~30V/DC
- Protections: Lamp Open / Fault
- Tc-temperature: Max. 70°C
- Ta-temperature: -15~40°C
- Storage: -40~85°C
- Approvals: CE (LVD EMC)
- IP Code: IP20
- Dimensions: 250×108×57mm

Note

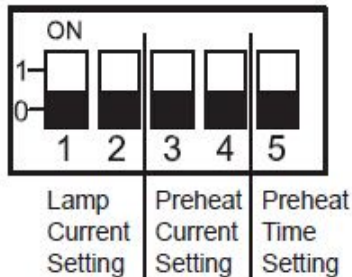
- ▶ Once the DIP is setted up, please do not make any change, otherwise the lamps may be damaged.
- ▶ When the Tc temperature is over 70°C, please add a heat-dissipation device.

TYPE : RH9-AL-320 VER:A

Preheat Start Ballast
AC Source : 198~305V 50/60Hz

Power : 200~320W

Operating Instructions



DIP-switch Settings

Lamp Current Switches set to	Preheat Current Switches set to	Preheat Time Switches set to
00=1.8A	00=1.5A	0=12S
01=2.1A	01=2.0A	1=20S
10=2.9A		

Recommended DIP Setting

Lamp Current DIP Position	Preheat Current DIP Position	Preheat Time DIP Position	Lamp Power DIP Position	Lamp Type
00=1.8A	00=1.5A	0=12S	Max.320W	GPHA1554T6L TUV240W/1.8A
01=2.1A	01=2.0A	1=20S	Max.320W	NNI300/147XL TUV325WXP/2.1A
10=2.9A	01=2.0A	1=20S	Max.320W	UVI 200 UVI 300/2.9A

Product Packing Information

Article No.	Type	Inner Box		Carton			Pallet		
		Size [mm]	Weight [kg]	Quantity [pcs]	Size [m ³]	Weight [kg]	Quantity [pcs]	Size [m ³]	Weight [kg]
8000091103	RH9-AL-320	255*119*69	0.86	12	0.038	11.21	360	1.38	349

Similar Product Ordering Information

Article No.	Type	Lamp Power	Lamp Type
8000091102	RH9-2100-320	200~320W	GPHHA1000T6L GPHHA1554T6L/2.1A
8000091103	RH9-AL-320	200~320W	200~240W/1.8A 200~320W/2.1A 200~300W/2.9A
8200095127	RS9-AL-320P	200~330W	240W/1.8A 320W/2.1A 270W/2.5A 330W/3.3A
8200095104	RS9-AL-400P	260~400W	300W/2.8A 260W/3.1A 270W/3.8A 400W/3.8A
8200095105	RS9-AL-500P	330~500W	350W/4.0A 330W/4.6A 470W/5.0A 500W/5.0A
8000091206	RH9-1000-2/155	2*100~150W	GPH1554T5HO GHO64T5 TUV64T5HO TL100W